

GROUP TAB LOCATOR

	Introduction	
0	Lubrication & Maintenance	
2	Suspension	
3	Differential & Driveline	
5	Brakes	
7	Cooling	
8A	Audio/Video	
8B	Chime/Buzzer	
8E	Electronic Control Modules	
8F	Engine Systems	
8G	Heated Systems	
8H	Horn	
8I	Ignition Control	
8J	Instrument Cluster	
8L	Lamps	
8N	Power Systems	
8O	Restraints	
8P	Speed Control	
8Q	Vehicle Theft Security	
8R	Wipers/Washers	
8W	Wiring	
9	Engine	
11	Exhaust System	
13	Frame & Bumpers	
14	Fuel System	
19	Steering	
21	Transmission	
22	Tires/Wheels	
23	Body	
24	Heating & Air Conditioning	
25	Emissions Control	
	Component and System Index	
	Service Manual Comment Forms	(Rear of Manual)

INTRODUCTION

TABLE OF CONTENTS

	page		page
VEHICLE IDENTIFICATION NUMBER		THREADED HOLE REPAIR	
DESCRIPTION	1	DESCRIPTION - THREADED HOLE REPAIR	6
INTERNATIONAL SYMBOLS		METRIC SYSTEM	
DESCRIPTION	2	DESCRIPTION	6
FASTENER IDENTIFICATION		TORQUE REFERENCES	
DESCRIPTION	3	DESCRIPTION	9
FASTENER USAGE			
DESCRIPTION - FASTENER USAGE	6		

VEHICLE IDENTIFICATION NUMBER

DESCRIPTION

The Vehicle Identification Number (VIN) plate is located on the lower windshield fence next to the left a-pillar. The VIN contains 17 characters that provide data concerning the vehicle. Refer to the VIN DECODING INFORMATION table to determine the identification of a vehicle.

To protect the consumer from theft and possible fraud the manufacturer is required to include a Check Digit at the ninth position of the Vehicle Identification Number. The check digit is used by the manufacturer and government agencies to verify the authenticity of the vehicle and official documentation. The formula to use the check digit is not released to the general public.

VIN DECODING INFORMATION




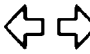











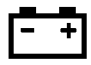








POSITION	INTERPRETATION	CODE = DESCRIPTION
1, 2 & 3	World Manufacturer Code	WDX = Incomplete vehicle / Dodge WD1 = Incomplete vehicle / Dodge WD0 = Truck / Dodge WD2 = Truck / Dodge WD5 = Multi-purpose passenger vehicle / Dodge WD8 = Multi-purpose passenger vehicle / Dodge WDW = Bus / Dodge WDP = Incomplete vehicle / Freightliner WDY = Truck / Freightliner WDR = Multi-purpose passenger vehicle / Freightliner WD3 = Truck / Mercedes-Benz WD4 = Multi-purpose vehicle / Mercedes-Benz WD9 = Incomplete vehicle / Mercedes-Benz
4	Model	B = All 4x2 vehicle types / Canada P = All 4x2 vehicle types / USA X = 4x2 Chassis-cab Y = 4x2 Truck W = 4x2 Multi-purpose passenger vehicle

POSITION	INTERPRETATION	CODE = DESCRIPTION
5 & 6	Model, Cab, Weight	D1 = Sprinter, 3000 mm (118 in.) wheelbase, 8,001 up to 9,000 lbs. class G D2 = Sprinter, 3550 mm (140 in.) wheelbase, 8,001 up to 9,000 lbs. class G D3 = Sprinter, 4025 mm (158 in.) wheelbase, 8,001 up to 9,000 lbs. class G D4 = Sprinter, 3550 mm (140 in.) wheelbase, Van 10,001 up to 14,000 lbs. Class H D5 = Sprinter, 4025 mm (158 in.) wheelbase, Van 10,001 up to 14,000 lbs. Class H D6 = Sprinter, 3567 mm (140 in.) in connection with 16" wheels, Van 8,001 to 9,000 lbs. class G D7 = Sprinter, 4042 mm (159 in.) in connection with 16" wheels, Van 8,001 to 9,000 lbs. class G
7 & 8	Engine	41 = 2.7L 5 cyl. Diesel 612 (ME9) 42 = 2.7L 5 cyl. Diesel 612 (MF1) 43 = 2.7L 5 cyl. Diesel 647 (MC0) 44 = 2.7L 5 cyl. Diesel 647 (MF2)
9		Check Digit
10	Model Year	6 = 2006
11	Assembly Plant	5 = Düsseldorf Plant, Germany
12 Thru 17		Vehicle Build Sequence

INTERNATIONAL SYMBOLS

DESCRIPTION

The graphic symbols illustrated in the following International Control and Display Symbols Chart (Fig. 1) are used to identify various instrument controls. The symbols correspond to the controls and displays that are located on the instrument panel.

 1	 2	 3	 4	 5	 6
 7	 8	 9	 10	 11	 12
 13	 14	 15	 16	 17	 18
 19	 20	 21	 22	 23	 24

80be4788

Fig. 1 INTERNATIONAL CONTROL AND DISPLAY SYMBOLS

- | | | | |
|----|--------------------------------------|----|----------------------------|
| 1 | High Beam | 13 | Rear Window Washer |
| 2 | Fog Lamps | 14 | Fuel |
| 3 | Headlamp, Parking Lamps, Panel Lamps | 15 | Engine Coolant Temperature |
| 4 | Turn Warning | 16 | Battery Charging Condition |
| 5 | Hazard Warning | 17 | Engine Oil |
| 6 | Windshield Washer | 18 | Seat Belt |
| 7 | Windshield Wiper | 19 | Brake Failure |
| 8 | Windshield Wiper and Washer | 20 | Parking Brake |
| 9 | Windscreen Demisting and Defrosting | 21 | Front Hood |
| 10 | Ventilating Fan | 22 | Rear hood (Decklid) |
| 11 | Rear Window Defogger | 23 | Horn |
| 12 | Rear Window Wiper | 24 | Lighter |

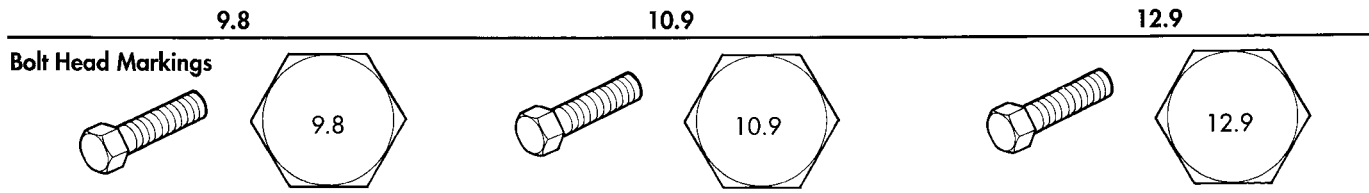
FASTENER IDENTIFICATION

DESCRIPTION

The SAE bolt strength grades range from grade 2 to grade 8. The higher the grade number, the greater the bolt strength. Identification is determined by the line marks on the top of each bolt head. The actual bolt strength grade corresponds to the number of line marks plus 2. The most commonly used metric bolt strength classes are 9.8 and 10.9. The metric strength class identification number is imprinted on the head of the bolt. The higher the class number, the greater the bolt strength. Some metric nuts are imprinted with a single-digit strength class on the nut face. Refer to the Fastener Identification and Fastener Strength Charts (Fig. 2) and (Fig. 3).

Bolt Markings and Torque - Metric

Commercial Steel Class



Body Size	9.8				10.9				12.9			
	Torque		Torque		Torque		Torque		Torque		Torque	
	Diam.	Cast Iron	Aluminum	Cast Iron	Aluminum	Cast Iron	Aluminum	Cast Iron	Aluminum	Cast Iron	Aluminum	
mm	N•m	ft-lb	N•m	ft-lb	N•m	ft-lb	N•m	ft-lb	N•m	ft-lb	N•m	ft-lb
6	9	5	7	4	14	9	11	7	14	9	11	7
7	14	9	11	7	18	14	14	11	23	18	18	14
8	25	18	18	14	32	23	25	18	36	27	28	21
10	40	30	30	25	60	45	45	35	70	50	55	40
12	70	55	55	40	105	75	80	60	125	95	100	75
14	115	85	90	65	160	120	125	95	195	145	150	110
16	180	130	140	100	240	175	190	135	290	210	220	165
18	230	170	180	135	320	240	250	185	400	290	310	230

Bolt Markings and Torque Values - U.S. Customary

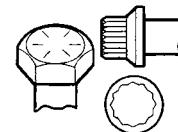
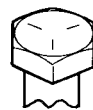
SAE Grade Number

5

8

Bolt Head Markings

These are all SAE Grade 5 (3) line



Bolt Torque - Grade 5 Bolt

Bolt Torque - Grade 8 Bolt

Body Size	Cast Iron		Aluminum		Cast Iron		Aluminum	
	N•m	ft-lb	N•m	ft-lb	N•m	ft-lb	N•m	ft-lb
1/4 - 20	9	7	8	6	15	11	12	9
- 28	12	9	9	7	18	13	14	10
5/16 - 18	20	15	16	12	30	22	24	18
- 24	23	17	19	14	33	24	25	19
3/8 - 16	40	30	25	20	55	40	40	30
- 24	40	30	35	25	60	45	45	35
7/16 - 14	60	45	45	35	90	65	65	50
- 20	65	50	55	40	95	70	75	55
1/2 - 13	95	70	75	55	130	95	100	75
- 20	100	75	80	60	150	110	120	90
9/16 - 12	135	100	110	80	190	140	150	110
- 18	150	110	115	85	210	155	170	125
5/8 - 11	180	135	150	110	255	190	205	150
- 18	210	155	160	120	290	215	230	170
3/4 - 10	325	240	255	190	460	340	365	270
- 16	365	270	285	210	515	380	410	300
7/8 - 9	490	360	380	280	745	550	600	440
- 14	530	390	420	310	825	610	660	490
1 - 8	720	530	570	420	1100	820	890	660
- 14	800	590	650	480	1200	890	960	710

Fig. 2 FASTENER IDENTIFICATION

HOW TO DETERMINE BOLT STRENGTH


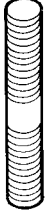


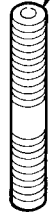

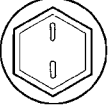
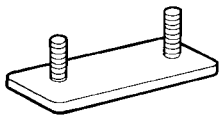
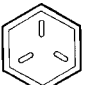

	Mark	Class		Mark	Class
Hexagon head bolt	 Bolt head No. 4 — 4T 5 — 5T 6 — 6T 7 — 7T 8 — 8T 9 — 9T 10 — 10T 11 — 11T		Stud bolt	 No mark 4T	
	 No mark 4T				
Hexagon flange bolt w/washer hexagon bolt	 No mark 4T		Welded bolt	 Grooved 6T	
Hexagon head bolt	 Two protruding lines 5T				
Hexagon flange bolt w/washer hexagon bolt	 Two protruding lines 6T		 4T		
Hexagon head bolt	 Three protruding lines 7T				
Hexagon head bolt	 Four protruding lines 8T				

Fig. 3 FASTENER STRENGTH

FASTENER USAGE

DESCRIPTION - FASTENER USAGE

WARNING: USE OF AN INCORRECT FASTENER MAY RESULT IN COMPONENT DAMAGE OR PERSONAL INJURY.

Fasteners and torque specifications references in this Service Manual are identified in metric and SAE format.

During any maintenance or repair procedures, it is important to salvage all fasteners (nuts, bolts, etc.) for reassembly. If the fastener is not salvageable, a fastener of equivalent specification must be used.

THREADED HOLE REPAIR

DESCRIPTION - THREADED HOLE REPAIR

Most stripped threaded holes can be repaired using a Helicoil®. Follow the vehicle or Helicoil® recommendations for application and repair procedures.

METRIC SYSTEM

DESCRIPTION

The metric system is based on quantities of one, ten, one hundred, one thousand and one million.

The following chart will assist in converting metric units to equivalent English and SAE units, or vise versa.

CONVERSION FORMULAS AND EQUIVALENT VALUES

MULTIPLY	BY	TO GET	MULTIPLY	BY	TO GET
in-lbs	x 0.11298	= Newton Meters (N·m)	N·m	x 8.851	= in-lbs
ft-lbs	x 1.3558	= Newton Meters (N·m)	N·m	x 0.7376	= ft-lbs
Inches Hg (60° F)	x 3.377	= Kilopascals (kPa)	kPa	x 0.2961	= Inches Hg
psi	x 6.895	= Kilopascals (kPa)	kPa	x 0.145	= psi
Inches	x 25.4	= Millimeters (mm)	mm	x 0.03937	= Inches
Feet	x 0.3048	= Meters (M)	M	x 3.281	= Feet
Yards	x 0.9144	= Meters	M	x 1.0936	= Yards
mph	x 1.6093	= Kilometers/Hr. (Km/h)	Km/h	x 0.6214	= mph
Feet/Sec	x 0.3048	= Meters/Sec (M/S)	M/S	x 3.281	= Feet/Sec
mph	x 0.4470	= Meters/Sec (M/S)	M/S	x 2.237	= mph
Kilometers/Hr. (Km/h)	x 0.27778	= Meters/Sec (M/S)	M/S	x 3.600	Kilometers/Hr. (Km/h)

COMMON METRIC EQUIVALENTS

1 inch = 25 Millimeters	1 Cubic Inch = 16 Cubic Centimeters
1 Foot = 0.3 Meter	1 Cubic Foot = 0.03 Cubic Meter
1 Yard = 0.9 Meter	1 Cubic Yard = 0.8 Cubic Meter
1 Mile = 1.6 Kilometers	

Refer to the Metric Conversion Chart to convert torque values listed in metric Newton-meters (N·m). Also, use the chart to convert between millimeters (mm) and inches (in.) (Fig. 4).

TORQUE REFERENCES

DESCRIPTION

Individual Torque Charts appear within many of the Groups. Refer to the Standard Torque Specifications Chart for torque references not listed in the individual torque charts (Fig. 5).

SPECIFIED TORQUE FOR STANDARD BOLTS

Class	Diameter mm	Pitch mm	Specified torque					
			Hexagon head bolt			Hexagon flange bolt		
			N•m	kgf-cm	ft-lbf	N•m	kgf-cm	ft-lbf
4T	6	1	5	55	48 in.-lbf	6	60	52 in.-lbf
	8	1.25	12.5	130	9	14	145	10
	10	1.25	26	260	19	29	290	21
	12	1.25	47	480	35	53	540	39
	14	1.5	74	760	55	84	850	61
	16	1.5	115	1,150	83	—	—	—
5T	6	1	6.5	65	56 in.-lbf	7.5	75	65 in.-lbf
	8	1.25	15.5	160	12	17.5	175	13
	10	1.25	32	330	24	36	360	26
	12	1.25	59	600	43	65	670	48
	14	1.5	91	930	67	100	1,050	76
	16	1.5	140	1,400	101	—	—	—
6T	6	1	8	80	69 in.-lbf	9	90	78 in.-lbf
	8	1.25	19	195	14	21	210	15
	10	1.25	39	400	29	44	440	32
	12	1.25	71	730	53	80	810	59
	14	1.5	110	1,100	80	125	1,250	90
	16	1.5	170	1,750	127	—	—	—
7T	6	1	10.5	110	8	12	120	9
	8	1.25	25	260	19	28	290	21
	10	1.25	52	530	38	58	590	43
	12	1.25	95	970	70	105	1,050	76
	14	1.5	145	1,500	108	165	1,700	123
	16	1.5	230	2,300	166	—	—	—
8T	8	1.25	29	300	22	33	330	24
	10	1.25	61	620	45	68	690	50
	12	1.25	110	1,100	80	120	1,250	90
9T	8	1.25	34	340	25	37	380	27
	10	1.25	70	710	51	78	790	57
	12	1.25	125	1,300	94	140	1,450	105
10T	8	1.25	38	390	28	42	430	31
	10	1.25	78	800	58	88	890	64
	12	1.25	140	1,450	105	155	1,600	116
11T	8	1.25	42	430	31	47	480	35
	10	1.25	87	890	64	97	990	72
	12	1.25	155	1,600	116	175	1,800	130

Fig. 5 TORQUE SPECIFICATIONS

LUBRICATION & MAINTENANCE

TABLE OF CONTENTS

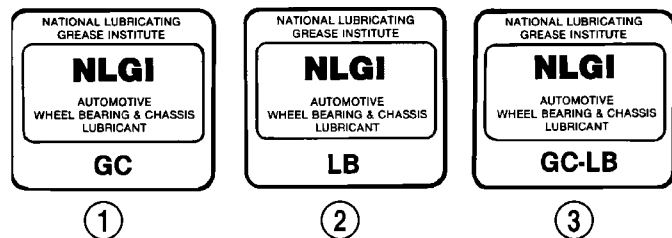
	page		page
FLUID TYPES		FLUID FILL/CHECK LOCATIONS	
DESCRIPTION		INSPECTION - FLUID FILL/CHECK LOCATIONS	5
PARTS AND LUBRICANT RECOMMENDATIONS	1	HOISTING	
AUTOMATIC TRANSMISSION FLUID - NAG1 ..	1	STANDARD PROCEDURE - HOISTING	5
AXLE FLUID	2	JUMP STARTING	
BRAKE FLUID	2	STANDARD PROCEDURE - JUMP STARTING ..	6
HOAT COOLANT	2	TOWING	
ENGINE OIL - DIESEL ENGINES	3	STANDARD PROCEDURE - TOWING	7
FUEL REQUIREMENTS - DIESEL ENGINE ...	4	MAINTENANCE SCHEDULES	
POWER STEERING FLUID	5	DESCRIPTION	8
OPERATION - AUTOMATIC TRANSMISSION FLUID	5	INTERNATIONAL SYMBOLS	
FLUID CAPACITIES		DESCRIPTION	9
SPECIFICATIONS - FLUID CAPACITIES	5		

FLUID TYPES

DESCRIPTION

PARTS AND LUBRICANT RECOMMENDATIONS

Lubricating grease is rated for quality and usage by the NLGI. All approved products have the NLGI symbol (Fig. 1) on the label. At the bottom NLGI symbol is the usage and quality identification letters. Wheel bearing lubricant is identified by the letter "G". Chassis lubricant is identified by the latter "L". The letter following the usage letter indicates the quality of the lubricant. The following symbols indicate the highest quality.



9200-7

Fig. 1 NLGI Symbol

- 1 - WHEEL BEARINGS
- 2 - CHASSIS LUBRICATION
- 3 - CHASSIS AND WHEEL BEARINGS

When service is required, DaimlerChrysler Corporation recommends that only MOPAR® brand parts, lubricants and chemicals be used. MOPAR® provides the best engineered products for servicing DaimlerChrysler Corporation vehicles.

AUTOMATIC TRANSMISSION FLUID - NAG1

NOTE: Refer to Service Procedures in this group for fluid level checking procedures.

Use ATF approved to MB 236.10, MB 236.12, such as Shell ATF 3403/M-115, MOPAR® part number 05127382AA, Fuchs/Shell ATF 3353, or equivalent.

Automatic Transmission Fluid (ATF) is red in color when new. The ATF is dyed red so it can be identified from other fluids used in the vehicle such as engine oil or antifreeze. The red color is not permanent and is not an indicator of fluid condition. As the vehicle is driven, the ATF will begin to look darker in color and may eventually become brown. **This is normal.**

FLUID ADDITIVES

DaimlerChrysler strongly recommends against the addition of any fluids to the transmission, other than those automatic transmission fluids listed above. Exceptions to this policy are the use of special dyes to aid in detecting fluid leaks.

Various "special" additives and supplements exist that claim to improve shift feel and/or quality. These additives and others also claim to improve converter clutch operation and inhibit overheating, oxidation, varnish, and sludge. These claims have not been supported to the satisfaction of DaimlerChrysler and these additives **must not be used**. The use of transmission "sealers" should also be avoided, since they may adversely affect the integrity of transmission seals.

AXLE FLUID

Use oils approved to MB 235.0 or 235.6, such as Shell Spirax MB90, Caltex Hypoid LD, or MOPAR® part number 4874469, or equivalent. An API GL-5/MIL-2105-E SAE 90 Hypoid Gear Oil may be substituted. Reduced axle durability may result if an unapproved product is used.

BRAKE FLUID

Use brake fluid approved to MB 331.0, such as Intac B026D, MOPAR® Brake & Clutch Fluid, part number 04549625AC, or equivalent. If the approved product is not available, use a DOT 4 brake fluid: minimum dry boiling point (ERBP) 500°F, minimum wet boiling point (WERBP) 356°F, maximum viscosity 1500 mm²/s, conforming to FMVSS 116 and ISO 4925.

HOAT COOLANT

WARNING: ANTIFREEZE IS AN ETHYLENE-GLYCOL BASE COOLANT AND IS HARMFUL IF SWALLOWED OR INHALED. IF SWALLOWED, DRINK TWO GLASSES OF WATER AND INDUCE VOMITING. IF INHALED, MOVE TO FRESH AIR AREA. SEEK MEDICAL ATTENTION IMMEDIATELY. DO NOT STORE IN OPEN OR UNMARKED CONTAINERS. WASH SKIN AND CLOTHING THOROUGHLY AFTER COMING IN CONTACT WITH ETHYLENE-GLYCOL. KEEP OUT OF REACH OF CHILDREN. DISPOSE OF GLYCOL BASE COOLANT PROPERLY, CONTACT YOUR DEALER OR GOVERNMENT AGENCY FOR LOCATION OF COLLECTION CENTER IN YOUR AREA. DO NOT OPEN A COOLING SYSTEM WHEN THE ENGINE IS AT OPERATING TEMPERATURE OR HOT UNDER PRESSURE, PERSONAL INJURY CAN RESULT. AVOID RADIATOR COOLING FAN WHEN ENGINE COMPARTMENT RELATED SERVICE IS PERFORMED, PERSONAL INJURY CAN RESULT.

CAUTION: Use of Propylene-Glycol based coolants is not recommended, as they provide less freeze protection and less corrosion protection.

The cooling system is designed around the coolant. The coolant must accept heat from engine metal, in the cylinder head area near the exhaust valves and engine block. Then coolant carries the heat to the radiator where the tube/fin radiator can transfer the heat to the air.

The use of aluminum cylinder blocks, cylinder heads, and water pumps requires special corrosion protection. Use coolant approved to MB 325.0, such as EURO Peak Coolant/Anti-freeze (OLD WORLD INDUSTRIES), Zerex G05 or G48 (The Valvoline Company), Glysantin G05 (BASF AG), MOPAR® part number 05066386AA, or an equivalent Extended Life

Coolant with the HOAT inhibitor system. This coolant offers the best engine cooling without corrosion when mixed with 50% anti-freeze and 50% distilled water to obtain a freeze point of -37°C (-34°F). If it loses color or becomes contaminated, drain, flush, and replace with fresh properly mixed coolant solution.

CAUTION: This coolant may not be mixed with any other type of antifreeze. Mixing of coolants other than specified (non-HOAT), may result in engine damage that may not be covered under the new vehicle warranty, and decreased corrosion protection.

CAUTION: Do not use coolant additives that are claimed to improve engine cooling.

COOLANT PERFORMANCE

The required ethylene-glycol (antifreeze) and water mixture depends upon climate and vehicle operating conditions. The coolant performance of various mixtures follows:

Pure Water-Water can absorb more heat than a mixture of water and ethylene-glycol. This is for purpose of heat transfer only. Water also freezes at a higher temperature and allows corrosion.

100 percent Ethylene-Glycol-The corrosion inhibiting additives in ethylene-glycol need the presence of water to dissolve. Without water, additives form deposits in system. These act as insulation causing temperature to rise. The increased temperature can result in engine detonation. In addition, 100 percent ethylene-glycol freezes at -22°C (-8°F).

50/50 Ethylene-Glycol and Water-Is the recommended mixture, it provides protection against freezing to -37°C (-34°F). The antifreeze concentration **must always** be a minimum of 44 percent, year-round in all climates. If percentage is lower, engine parts may be eroded by cavitation. Maximum protection against freezing is provided with a 68 percent antifreeze concentration, which prevents freezing down to -67.7°C (-90°F). A higher percentage will freeze at a warmer temperature. Also, a higher percentage of antifreeze can cause the engine to overheat because specific heat of antifreeze is lower than that of water.

CAUTION: Richer antifreeze mixtures cannot be measured with normal field equipment and can cause problems associated with 100 percent ethylene-glycol.

ENGINE OIL - DIESEL ENGINES

SAE VISCOSITY GRADE

CAUTION: Low viscosity oils must have the proper API quality.

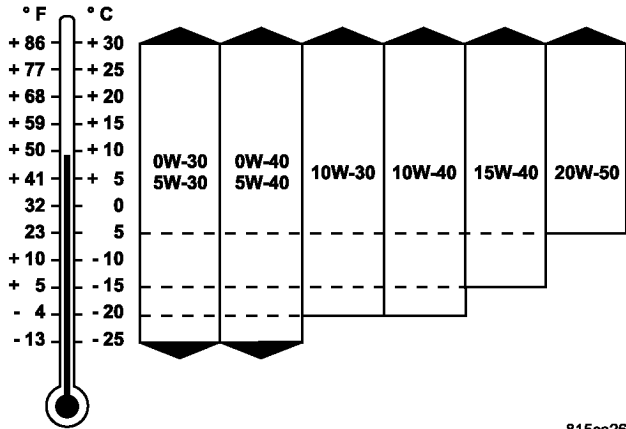
Only use engine oils that are labeled on the container as meeting API (American Petroleum Institute) and/or DaimlerChrysler specifications MB 228.3, 228.5, 229.3, and 229.5, such as MOPAR® SAE 15W-40 HD Diesel Engine Oil (e.g. MOPAR® Part No. 03798231AD), or equivalent.

Do not add any materials (other than leak detection dyes) to the engine oil. Engine oil is an engineered product and it's performance may be impaired by supplemental additives.

When topping off engine oil, only use oil of the same quality grade and SAE classification.

Always refer to the following viscosity chart for the proper viscosity grade based on ambient temperature. Select oil viscosity according to the lowest air temperature expected before the next oil change.

The temperature limits given for the different SAE classes should be regarded as guidelines which may be exceeded temporarily to avoid excessively frequent engine oil changes.



815ca262

OIL VISCOSITY CHART

The following engine oils have been determined to meet DaimlerChrysler requirements:

DaimlerChrysler Approved Engine Oil	SAE Rating	MB Sheet Number
76 Pure Synthetic Motor Oil	5W-40	229.3
76 Royal Triton QLT	15W-40	228.3
Agip All Guard Motor Oil	15W-40	228.3

DaimlerChrysler Approved Engine Oil	SAE Rating	MB Sheet Number
Agip Eurosport	5W-40	229.3
Agip Synthetic PC	5W-40	229.3
Akron Ultra Clear C1-4 (1)	15W-40	228.3
BP Vanellus C6 Global Plus	10W-40	228.3
Brad Penn Euro-Diesel LD	15W-40	228.3
Castrol Elixion (1)	5W-40	228.5
Castrol Tecton S (1)	15W-40	228.3
Chevron Delo 400 Multigrade	15W-40	228.3
Diesel Special Benz M&A	15W-40	228.3
Dislub Premium	15W-40	228.3
Exxon XD-3 Extra (1)	15W-40	228.3
FormulaShell Ultra	5W-40	229.3
FormulaShell Ultra AB	5W-30	229.5
Gonher Super Fleet MB-III	15W-40	228.3
Hydroclear Power-D Engine Oil	15W-40	228.3
IDO Premium 15W-40	15W-40	228.3
Kendall GT-1 Full Synthetic Motor Oil	5W-40	229.3
Long Life EF Diesel Engine Oil Multigrade	15W-40	228.3
Lubral Super Diesel MB-III	15W-40	228.3
Max Raloy Diesel	5W-30	228.5
MB Motorenöl 000 989 60 01 13	10W-40	228.5
Mexlub CF-4 MB-3P	15W-40	228.3
Mobil 1 0W-40	0W-40	229.5

DaimlerChrysler Approved Engine Oil	SAE Rating	MB Sheet Number
Mobil Delvac 1	5W-40	228.5
Mobil Delvac 1300 Super (1)	15W-40	228.3
Mobil SHC Formula MB	5W-30	229.5
MOPAR® Part No. 04798231AD	15W-40	228.3
Motul 8100 E-Tech 0W-40	0W-40	229.3
Motul 8100 Xcess 5W-40	5W-40	229.3
Panolin Indy SV	5W-40	229.3
Pennzoil European Formula Ultra	5W-30	229.5
Pennzoil Synthetic European Formula	5W-40	229.3
Premium Synthetik Motorenöl	5W-30	229.5
QS Superfleet	15W-40	228.3
Quaker State European Formula Ultra	5W-30	229.5
Quaker State Full Synthetic European Formula	5W-40	229.3
Quaker State Super Series III (1)	15W-40	228.3
Raloy Diesel Turbo MX	15W-40	228.3
Raloy Motor Diesel	15W-40	228.3
Repsol Turbo UHPD	10W-40	228.5
Roshfrans Valtro Diesel (1)	15W-40	228.3
Shell Helix Ultra	5W-30	229.3
Shell Helix Ultra	5W-40	229.3
Shell Rimula X CH-4	15W-40	228.3
Shell Rimula X CH-4	20W-50	228.3

DaimlerChrysler Approved Engine Oil	SAE Rating	MB Sheet Number
Shell Rotella T Multigrade (1)	15W-40	228.3
Super Diesel Oil MB-3	15W-40	228.3
Supreme Duty Diesel Engine Oil Multi-grade	15W-40	228.3
Unoil GX-7	5W-40	229.3
Ursa Premium TDX	10W-30	228.3
Ursa Premium TDX	15W-40	228.3
Valvoline Syn-Power MXL	0W-30	229.3
(1) Engine oil also meets API classification CI-4. Other oils may meet requirements - see oil label to determine		

Use of the approved fluid is required if the ASSYST Oil Service Reminder is followed. Use of a lower quality oil on this service schedule may cause severe engine damage.

FUEL REQUIREMENTS - DIESEL ENGINE

WARNING: Do not use alcohol or gasoline as a fuel blending agent. They can be unstable under certain conditions and hazardous or explosive when mixed with diesel fuel.

Use only commercially available vehicular diesel fuels No. 2 or No. 1 (ASTM D 975 No. 2-D or No. 1-D).

NOTE: Because of its better quality, the manufacturer recommends the use of commercially available vehicular diesel fuel No. 2.

DIESEL FUELS FOR USE AT VERY LOW TEMPERATURE

At very low temperatures, the fluidity of No. 2 diesel fuel may become insufficient due to paraffin separation. For this reason, the vehicle comes equipped with a fuel preheater. It permits trouble free engine operation to a temperature of approximately 14°F (-10°C) when using No. 2 diesel fuel.

To avoid malfunctions, No. 2 diesel fuel of a lowered cloud point is marketed during the cold season.

At temperatures below 14 °F (-10 °C) use winterized or No. 1 diesel fuel only.

Do not blend other specific fuel additives with diesel fuel. They only result in unnecessary cost, and may be harmful to the engine operation.

POWER STEERING FLUID

No fluid service required. Filled with Power Steering Fluid approved to MB 236.3, such as Mobil ATF-D (Exxon Mobil Corporation) or equivalent.

OPERATION - AUTOMATIC TRANSMISSION FLUID

The automatic transmission fluid is selected based upon several qualities. The fluid must provide a high level of protection for the internal components by providing a lubricating film between adjacent metal components. The fluid must also be thermally stable so that it can maintain a consistent viscosity through a large temperature range. If the viscosity stays constant through the temperature range of operation, transmission operation and shift feel will remain consistent. Transmission fluid must also be a good conductor of heat. The fluid must absorb heat from the internal transmission components and transfer that heat to the transmission case.

FLUID CAPACITIES

SPECIFICATIONS - FLUID CAPACITIES

DESCRIPTION	SPECIFICATION
ENGINE COOLANT	
10 Liters	10.5 Quarts
ENGINE OIL	
9.0L without Filter Replacement	9.5 Quarts with Filter Replacement
AUTOMATIC TRANSMISSION	
Service Fill - NAG1	5.0 L (10.6 pts.)
O-haul Fill - NAG1	7.7 L (16.3 pts.)
Dry fill capacity Depending on type and size of internal cooler, length and inside diameter of cooler lines, or use of an auxiliary cooler, these figures may vary. (Refer to appropriate 21 - TRANSMISSION/AUTOMATIC/FLUID - STANDARD PROCEDURE).	
REAR AXLE ±.03L (1 oz.)	
8 1/2	1.8 L (4.0 pts.)
FUEL TANK	
Primary	100 L (26.4 gal.)*
Reserve	10.5 L (2.8 gal.)*
*Nominal refill capacities are shown. A variation may be observed from vehicle to vehicle due to manufacturing tolerance and refill procedure	

DESCRIPTION	SPECIFICATION
POWER STEERING SYSTEM	
Power steering fluid capacities are dependent on engine/chassis options as well as steering gear/cooler options. Depending on type and size of internal cooler, length and inside diameter of cooler lines, or use of an auxiliary cooler, these capacities may vary. Refer to 19, Steering for proper fill and bleed procedures.	

FLUID FILL / CHECK LOCATIONS

INSPECTION - FLUID FILL / CHECK LOCATIONS

The fluid fill/check locations and lubrication points are located in each applicable group.

HOISTING

STANDARD PROCEDURE - HOISTING

Refer to the Owner’s Manual for emergency vehicle lifting procedures.

WARNING: THE HOISTING AND JACK LIFTING POINTS PROVIDED ARE FOR A COMPLETE VEHICLE. WHEN A CHASSIS OR DRIVETRAIN COMPONENT IS REMOVED FROM A VEHICLE, THE CENTER OF GRAVITY IS ALTERED MAKING SOME HOISTING CONDITIONS UNSTABLE. PROPERLY SUPPORT OR SECURE VEHICLE TO HOISTING DEVICE WHEN THESE CONDITIONS EXIST.

FLOOR JACK

When properly positioned, a floor jack can be used to lift a vehicle. Support the vehicle in the raised position with jack stands at the front and rear ends of the frame rails.

CAUTION: Do not lift vehicle with a floor jack positioned under:

- An axle tube.
- A body side sill.
- A steering linkage component.
- A drive shaft.
- The engine or transmission oil pan.
- The fuel tank.
- A front suspension arm.

HOIST

A vehicle can be lifted with:

- A single-post, frame-contact hoist.
- A twin-post, chassis hoist.
- A ramp-type, drive-on hoist.

NOTE: When a frame-contact type hoist is used, verify that the lifting pads are positioned properly. The forward lifting pads should be positioned against the forward flange of the transmission crossmember brackets at the bottom of the frame rail. The rear lifting pads should be wedged between the forward flange of the leaf spring bracket and the frame rail. Safety stands should be placed under the frame rails at the front and rear ends.

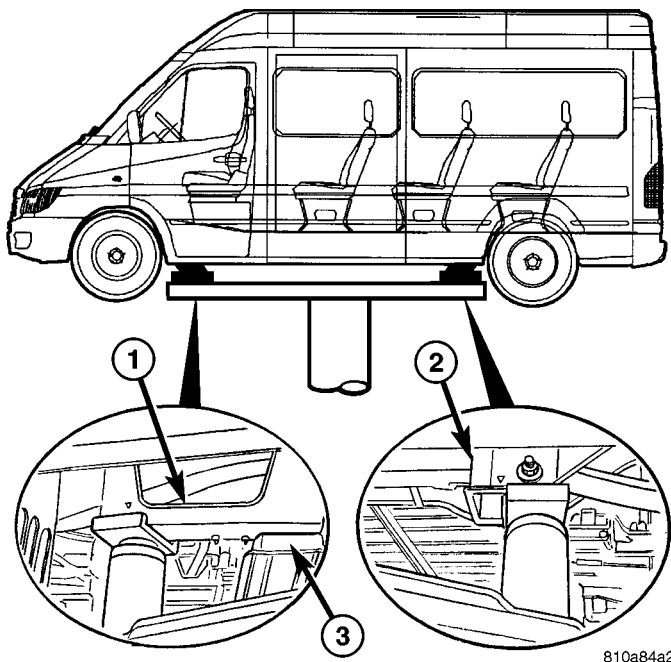


Fig. 2 HOIST LOCATIONS

- 1 - TRANSMISSION CROSSMEMBER SUPPORT
 2 - REAR LEAF SPRING MOUNT - FRONT
 3 - TRANSMISSION CROSSMEMBER

JUMP STARTING

STANDARD PROCEDURE - JUMP STARTING

WARNING: REVIEW ALL SAFETY PRECAUTIONS AND WARNINGS IN THE BATTERY SYSTEM SECTION OF THE SERVICE MANUAL. (Refer to 8 - ELECTRICAL/BATTERY SYSTEM/BATTERY - STANDARD PROCEDURE)

- **DO NOT JUMP START A FROZEN BATTERY, PERSONAL INJURY CAN RESULT.**

- **IF EQUIPPED, DO NOT JUMP START WHEN MAINTENANCE FREE BATTERY INDICATOR DOT IS YELLOW OR BRIGHT COLOR.**

- **DO NOT JUMP START A VEHICLE WHEN THE BATTERY FLUID IS BELOW THE TOP OF LEAD PLATES.**

- **DO NOT ALLOW JUMPER CABLE CLAMPS TO TOUCH EACH OTHER WHEN CONNECTED TO A BOOSTER SOURCE.**

- **DO NOT USE OPEN FLAME NEAR BATTERY.**

- **REMOVE METALLIC JEWELRY WORN ON HANDS OR WRISTS TO AVOID INJURY BY ACCIDENTAL ARCING OF BATTERY CURRENT.**

- **WHEN USING A HIGH OUTPUT BOOSTING DEVICE, DO NOT ALLOW BATTERY VOLTAGE TO EXCEED 16 VOLTS. REFER TO INSTRUCTIONS PROVIDED WITH DEVICE BEING USED.**

FAILURE TO FOLLOW THESE INSTRUCTIONS MAY RESULT IN PERSONAL INJURY.

CAUTION: When using another vehicle as a booster, do not allow vehicles to touch. Electrical systems can be damaged on either vehicle.

TO JUMP START A DISABLED VEHICLE:

(1) Raise hood on disabled vehicle and visually inspect engine compartment for:

- Battery cable clamp condition, clean if necessary.
- Frozen battery.
- Yellow or bright color test indicator, if equipped.
- Low battery fluid level.
- Generator drive belt condition and tension.
- Fuel fumes or leakage, correct if necessary.

CAUTION: If the cause of starting problem on disabled vehicle is severe, damage to booster vehicle charging system can result.

(2) When using another vehicle as a booster source, park the booster vehicle within cable reach. Turn off all accessories, set the parking brake, place the automatic transmission in PARK or the manual transmission in NEUTRAL and turn the ignition OFF.

(3) On disabled vehicle, place gear selector in park or neutral and set park brake. Turn off all accessories.

(4) Connect jumper cables to booster battery. RED clamp to positive (+). BLACK clamp to negative terminal (-). DO NOT allow clamps at opposite end of cables to touch, electrical arc will result. Review all warnings in this procedure.

(5) On disabled vehicle, connect RED jumper cable clamp to positive (+) terminal. Connect BLACK jumper cable clamp to engine ground as close to the ground cable attaching point as possible.

(6) Start the engine in the vehicle which has the booster battery, let the engine idle a few minutes, then start the engine in the vehicle with the discharged battery.

CAUTION: Do not crank starter motor on disabled vehicle for more than 15 seconds, starter will over-heat and could fail.

(7) Allow battery in disabled vehicle to charge to at least 12.4 volts (75% charge) before attempting to start engine. If engine does not start within 15 seconds, stop cranking engine and allow starter to cool (15 min.), before cranking again.

DISCONNECT CABLE CLAMPS AS FOLLOWS:

- Disconnect BLACK cable clamp from engine ground on disabled vehicle.
- When using a Booster vehicle, disconnect BLACK cable clamp from battery negative terminal. Disconnect RED cable clamp from battery positive terminal.
- Disconnect RED cable clamp from battery positive terminal on disabled vehicle.

TOWING

STANDARD PROCEDURE - TOWING

WARNING: Do not tow the vehicle if the key cannot be turned in the ignition lock. If the key cannot be turned, the ignition lock remains locked and the vehicle cannot be steered. With the engine not running there is no power assistance for the braking and steering systems. In this case, it is important to keep in mind that a considerably higher degree of effort is necessary to brake and steer the vehicle. The vehicle must not be towed with the front axle raised and the key in position 2 in the ignition lock as the drive wheels could then lock due to the acceleration skid control (ASR)

If the Engine is Damaged

For towing distances up to 30 miles (about 50 km)

- Shift selector lever in "N" position.
- Do not exceed a towing speed of 30 m.p.h. (50 km/h).

For towing distances greater than 30 mile (about 50 km)

- Remove the propeller shafts leading to the drive axles. The vehicle can be towed without restriction.

If the Transmission is Damaged

- Remove the propeller shafts leading to the drive axles. The vehicle can be towed without restriction.

If the Front Axle is Damaged

- Raise the front axle.
- Observe the same towing restrictions as for engine damage.

If the Rear Axle is Damaged

- Raise the rear axle.

NOTE: Comply with local legal regulations regarding towing vehicles.

SAFETY PRECAUTIONS

NOTE: The following safety precautions must be observed when towing a vehicle.

- Secure loose and protruding parts.
- Always use a safety chain system that is independent of the lifting and towing equipment.
 - Do not allow towing equipment to contact the disabled vehicle's fuel tank.
 - Do not allow anyone under the disabled vehicle while it is lifted by the towing device.
 - Do not allow passengers to ride in a vehicle being towed.
 - Always observe state and local laws regarding towing regulations.
 - Do not tow a vehicle in a manner that could jeopardize the safety of the operator, pedestrians or other motorists.
 - Do not attach tow chains, T-hooks, J-hooks, or a tow sling to a bumper, steering linkage, drive shafts or a non-reinforced frame hole.
 - Remove exhaust pipe tips that interfere with the tow sling and crossbar
 - Padding should be placed between the tow sling/crossbar and any painted surfaces
 - When placing tow hooks on the rear axle, position them so they do not damage the brake tubing or hoses
 - Do not tow the vehicle by connecting to the front or rear shock absorbers
 - Do not tow a heavily loaded vehicle. Damage to the vehicle may result. Use a flatbed device to transport a loaded vehicle.

GROUND CLEARANCE

CAUTION: If vehicle is towed with wheels removed, install lug nuts to retain brake drums.

A towed vehicle should be raised until lifted wheels are a minimum 100 mm (4 in) from the ground. Be sure there is adequate ground clearance at the opposite end of the vehicle, especially when towing over rough terrain, steep rises in the road or if the vehicle is equipped with air dams, spoilers, and/or ground

effect panels. If necessary, remove the wheels from the lifted end of the vehicle and lower the vehicle closer to the ground, to increase the ground clearance at the opposite end of the vehicle. Install lug nuts on wheel attaching studs to retain brake drums.

RAMP ANGLE

If a vehicle with flat-bed towing equipment is used, the approach ramp angle should not exceed 15 degrees.

TOWING WHEN KEYS ARE NOT AVAILABLE

When the vehicle is locked and keys are not available, use a flat bed hauler. A Wheel-lift or Sling-type device can be used provided all the wheels are lifted off the ground using tow dollies.

MAINTENANCE SCHEDULES

DESCRIPTION

The use of special lubricant additives is not recommended. The use of such additives may affect the warranty rights. With regard to legal stipulations concerning emissions control, please note that engines have to be serviced and adjusted in accordance with special instructions and using special measuring equipment. Modifications to or interference with the emissions control systems are not permissible.

MAINTENANCE - WITHOUT ASSYST MAINTENANCE COMPUTER

Maintenance Intervals

- Oil service – **Normal Operation** every 10,000 miles or 16,000 km or 12 months.
- Maintenance service every 30,000 miles or 48,000 km.

Additional work must be carried out at yearly intervals.

MAINTENANCE - WITH ASSYST MAINTENANCE COMPUTER

ASSYST provides information on the best possible timing for maintenance work.

When the next maintenance service is due, this will be indicated in the multi-function display with the wrench icon symbol displayed in km/miles or days.

- One wrench icon showing indicates Oil Service is necessary.
- Two wrench icons showing indicates Maintenance Service is necessary – displayed in km/miles or days.

If the display shows the number of days, a clock symbol will also appear in the multi-function display.

You should have the maintenance performed within the stated period/distance.

The service indicator will be reset after an oil service and/or maintenance service has been performed.

REGULAR CHECK - UPS

To maintain the safe operation of the vehicle, it is recommended that the following tasks be performed on a regular basis (i.e. weekly or whenever the vehicle is refueled). Check:

- Engine oil level
- Brake system - fluid level
- Battery - acid level
- Windshield washer system and headlamp cleaning system - fluid level
- Mechanical assemblies (e.g. engine, transmission, etc.) - check for leaks
- Condition of tires and tires pressures
- All exterior lights

SPECIAL MAINTENANCE REQUIREMENTS

If bodies built by manufacturers other than DaimlerChrysler Corporation are fitted to the vehicle, the maintenance requirements and lubrication intervals specified by the body manufacturer must be adhered to, in addition to all standard maintenance requirements.

Coolant

Corrosion inhibitor/antifreeze concentration in the coolant should be checked before the onset of winter (once year in countries with high prevailing temperatures).

Replace the coolant every five years or 100,000 miles.

Dust Filter for Heating / Ventilation Replacement

The dust filter and the tailgate interior filter are to be renewed during routine maintenance service. If operating conditions are dusty, these filters should be renewed more frequently.

ENGINE OIL CHANGE AND FILTER REPLACEMENT

At a minimum, change the engine oil and oil filter once a year – even if the vehicle mileage per year is extremely low. For standard oil service schedules refer to the chapter oil service and maintenance service.

Once a Year

Select the viscosity of the engine oil (SAE classes) according to the outside air temperature.

Only use engine oil approved by DaimlerChrysler Corporation if following the ASSYST system guidelines.

SCOPE OF WORK FOR MAINTENANCE SERVICE

Oil Service

- Engine: Oil change and filter replacement

Check fluid levels of the following system, refill as necessary.

- If fluid is lost, trace and eliminate cause - as a separate order.
- Power-assisted steering

Lubrication work:

- Trailer tow hitch (original equipment)

Maintenance

- ASSYST maintenance computer reset

Function check

- Signalling system, warning and indicator lamps
- Headlamps, exterior lighting
- Windshield wipers, windshield washer system

Check for leaks and damage

- Check for abrasion points and ensure that lines are correctly routed!
- All lines and hoses, sensor cables
- Rubber boots on front axle drive shafts, rubber boots on front axle suspension ball joints, shock absorbers
- Check fluid levels for the following systems, correct as necessary

NOTE: Should there be a loss of fluid which cannot be explained by regular use, trace and eliminate the cause.

- Engine cooling system. Check corrosion inhibitor/antifreeze, refill as necessary.
- Hydraulic brake system
- Battery
- Windshield washer system

Engine

- Fuel filter renewal - Every oil service
- Air cleaner with maintenance indicator:
- Check degree of contamination.
- Air cleaner filter element renewed as necessary.

Chassis and body

- Trailer coupling: Check operation, play and retaining fixtures
- Secondary rubber springs: Visual check
- Tire pressures: Correct as necessary, including spare tire
- Check thickness of brake pads
- Brake test
- Check condition of steering mechanism
- Heating/ventilation dust filter renewal

ADDITIONAL MAINTENANCE WORK

Automatic transmission once only at 80,000 miles / 128000 km

- Oil and filter change

During every second maintenance service

- Air cleaner without maintenance indicator:
- Air cleaner filter element renewal
- Check poly-V-belt for wear and signs of damage

During every fourth maintenance service

- Change rear axle fluid

ADDITIONAL MAINTENANCE WORK AFTER YEARS

Every 2 years

- Change brake fluid.

Every 3 years

- Air cleaner filter element renewal (note installation date)







Every 15 years or 100,000 miles

- Coolant renewal
- Note coolant composition

INTERNATIONAL SYMBOLS

DESCRIPTION

DaimlerChrysler Corporation uses international symbols to identify engine compartment lubricant and fluid inspection and fill locations (Fig. 3).

	ENGINE OIL		BRAKE FLUID
	AUTOMATIC TRANSMISSION FLUID		POWER STEERING FLUID
	ENGINE COOLANT		WINDSHIELD WASHER FLUID

8097ddbdl

Fig. 3 INTERNATIONAL SYMBOLS

SUSPENSION

TABLE OF CONTENTS

	page		page
FRONT	1	WHEEL ALIGNMENT	17
REAR	11		

FRONT

TABLE OF CONTENTS

	page		page
FRONT		SPRING	
SPECIFICATIONS - TORQUE CHART	1	REMOVAL	7
SPECIAL TOOLS		INSTALLATION	8
FRONT SUSPENSION	2	SPRING CLAMP PLATES	
BUSHINGS		REMOVAL	8
REMOVAL	3	INSTALLATION	9
INSTALLATION	3	SPRING STOP PLATES	
HUB / BEARING		REMOVAL	9
DIAGNOSIS AND TESTING -	4	INSTALLATION	9
REMOVAL	4	STABILIZER BAR	
INSTALLATION	5	DESCRIPTION	9
KNUCKLE		OPERATION	9
REMOVAL	5	REMOVAL	9
INSTALLATION	6	INSTALLATION	9
LOWER BALL JOINT		STABILIZER LINK	
REMOVAL	6	REMOVAL	10
INSTALLATION	6	INSTALLATION	10
LOWER CONTROL ARM		STRUT	
REMOVAL	6	REMOVAL	10
INSTALLATION	7	INSTALLATION	10

FRONT

SPECIFICATIONS - TORQUE CHART

TORQUE SPECIFICATIONS

DESCRIPTION	N-m	Ft. Lbs.	In. Lbs.
Lower Ball Joint To Steering Knuckle	280	206	—
Strut To Steering Knuckle	185	136	—
Strut To Body	100	74	—
Bottom Spring Clamp Plate To Front Axle M12 X 1.5 Bolt	130	96	—

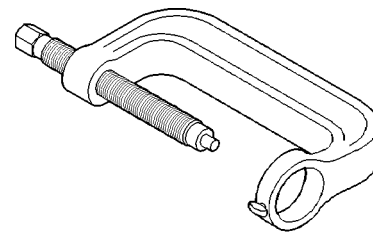
DESCRIPTION	N-m	Ft. Lbs.	In. Lbs.
Bottom Spring Clamp Plate To Front Axle M10 Bolt	65	48	—
Sway Bar Clamp To The Front Axle	30	22	—
Hexagon Socket Bolt For Clamping Nut To Adjust Wheel Bearing Play	12	9	106
Lower Control Arm To Front Axle Beam	150	110	—
Stop Plate For Lower Control Arm	60	44	—
Outer Tie Rod End Nut	130	96	—
Outer Tie Rod End Nut Jam Nut	50	37	—

SPECIAL TOOLS

FRONT SUSPENSION

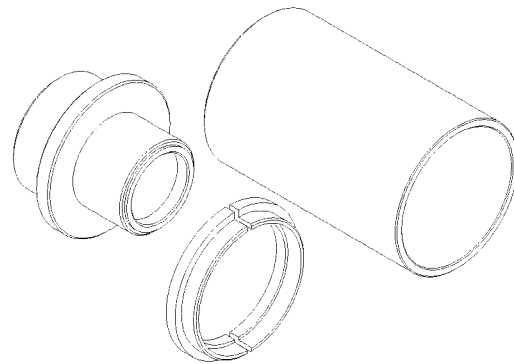
SPECIAL TOOL CROSS REFERENCE CHART

MB TOOL #	MILLER TOOL #	DESCRIPTION
N/A	9288	LEAF SPRING WEDGE BLOCK
N/A	9294	LOWER BALL JOINT REMOVE/INSTALLER
N/A	9302	BUSHING REMOVER /INSTALLER
N/A	C-3894-A	PULLER TIE ROD
730 589 02 33 00	9282	BALL JOINT SEPARATOR
N/A	C-4212F	BALL JOINT PRESS

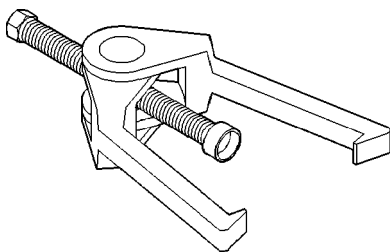


C-4212F-EC11d4at

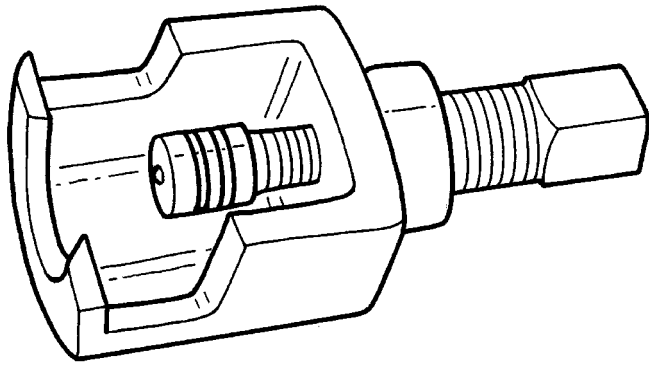
BALL JOINT PRESS - C-4212F



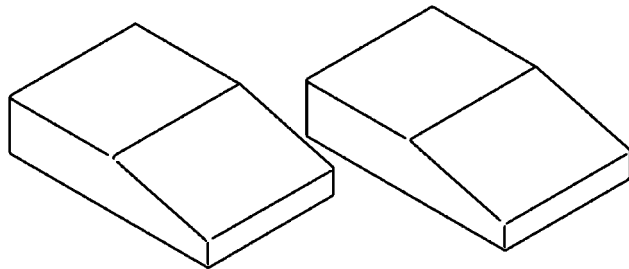
LOWER BALL JOINT REMOVE / INSTALL - 9294



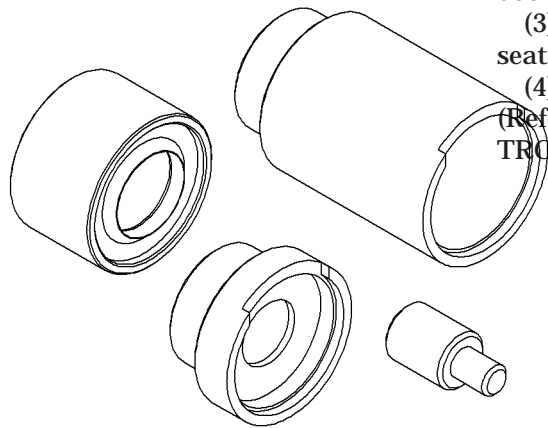
Puller Tie Rod C-3894-A



BALL JOINT SEPARATOR - 9282



LEAF SPRING WEDGE BLOCK - 9288



BUSHING REMOVER / INSTALLER-9302

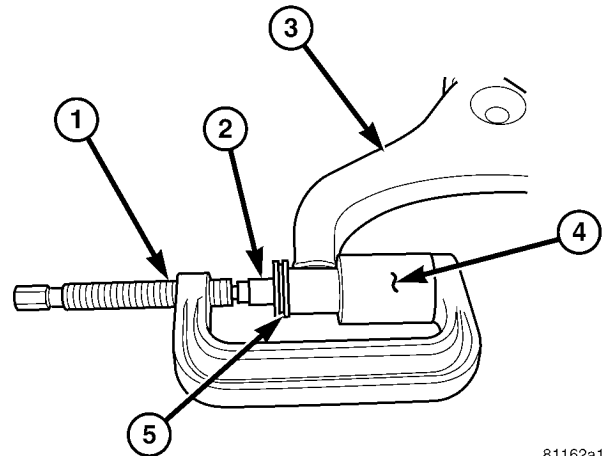
BUSHINGS

REMOVAL

(1) Remove the lower control arm (Refer to 2 - SUSPENSION/FRONT/LOWER CONTROL ARM - REMOVAL).

(2) Install the lower control arm in a vise.

(3) Install special tool C-4212F (Press) with special tool 9302-1 (Driver) and 9302-3 (Receiver) (Fig. 1).



81162a11

Fig. 1 LCA BUSHING REMOVAL

- 1 - SPECIAL TOOL C-4212F (PRESS)
- 2 - SPECIAL TOOL 9302-1 (DRIVER)
- 3 - LOWER CONTROL ARM
- 4 - SPECIAL TOOL 9302-3 (RECEIVER CUP)
- 5 - BUSHING

(4) Press out the old control arm bushing.

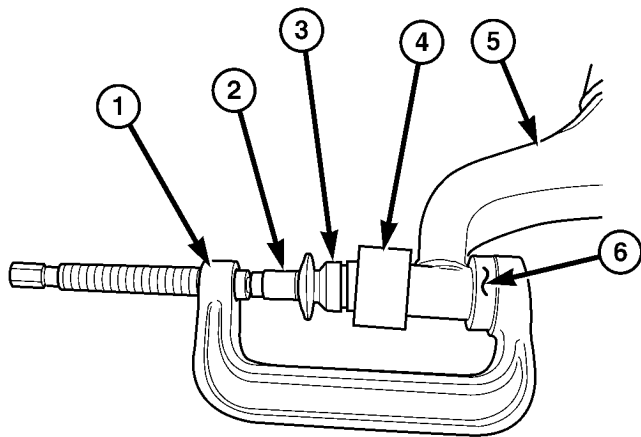
INSTALLATION

(1) Install the new control arm bushing into the control arm.

(2) Press the new bushing into the control arm using special tool C-4212F and 9302-1 (Driver) with 9302-2 (Sizer cup) and 9302-4 (Receiver) (Fig. 2).

(3) Press the bushing in all the way until the lip is seated properly into the control arm.

(4) Install the lower control arm to the vehicle (Refer to 2 - SUSPENSION/FRONT/LOWER CONTROL ARM - INSTALLATION).



81162a1a

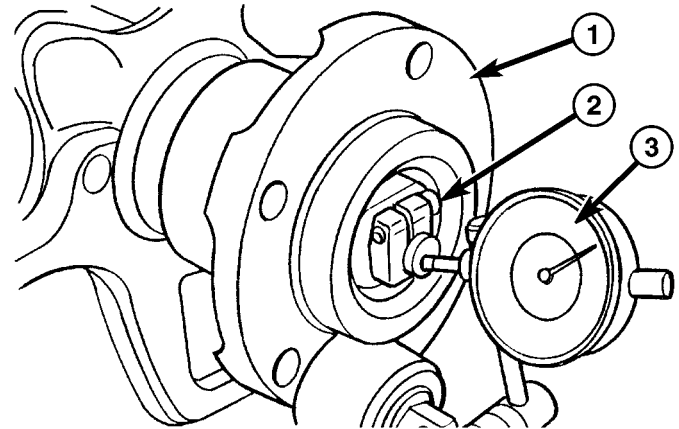
Fig. 2 LCA BUSHING INSTALL

- 1 - SPECIAL TOOL C-4212F (PRESS)
- 2 - SPECIAL TOOL 9302-1 (DRIVER)
- 3 - BUSHING
- 4 - SPECIAL TOOL 9302-2 (SIZER CUP)
- 5 - LOWER CONTROL ARM
- 6 - SPECIAL TOOL 9302-4 (RECEIVER CUP)

HUB / BEARING

DIAGNOSIS AND TESTING -

- (1) Raise and support the vehicle.
- (2) Remove the grease cap.
- (3) Position a dial indicator against the face of the wheel hub (Fig. 3).
- (4) Tighten the locking screw on the clamping nut (Fig. 3).
- (5) Pull the wheel hub firmly back and forth and read off the wheel bearing play on the dial gauge. (Wheel bearing play should be 0.02 - 0.04 mm (0.000787 - 0.00158 in.).)
- (6) If necessary, loosen the locking screw and adjust the wheel bearing play by loosening or tightening the clamping nut.
- (7) Retighten the locking screw and recheck the wheel bearing play.



810a0206

Fig. 3 MEASURING & ADJUSTING WHEEL BEARING

- 1 - WHEEL HUB
- 2 - LOCKING SCREW
- 3 - DIAL INDICATOR

REMOVAL

- (1) Raise and support the vehicle.
- (2) Remove the front wheels (Refer to 22 - TIRES/WHEELS/WHEELS - REMOVAL).
- (3) Remove the disc brake caliper adapter (Refer to 5 - BRAKES/HYDRAULIC/MECHANICAL/DISC BRAKE CALIPER ADAPTER - REMOVAL).
- (4) Remove the wheel flange ring (if equipped with dual rear wheels) (Fig. 5).
- (5) Remove the disc brake rotor (Refer to 5 - BRAKES/HYDRAULIC/MECHANICAL/ROTORS - REMOVAL).
- (6) Remove the grease cap (Fig. 4).
- (7) Loosen the bolt on the clamping nut and remove the clamping nut (Fig. 4).
- (8) Remove the thrust washer (Fig. 4).
- (9) Remove the wheel hub and tapered roller bearing from the stub axle assembly (Fig. 4).

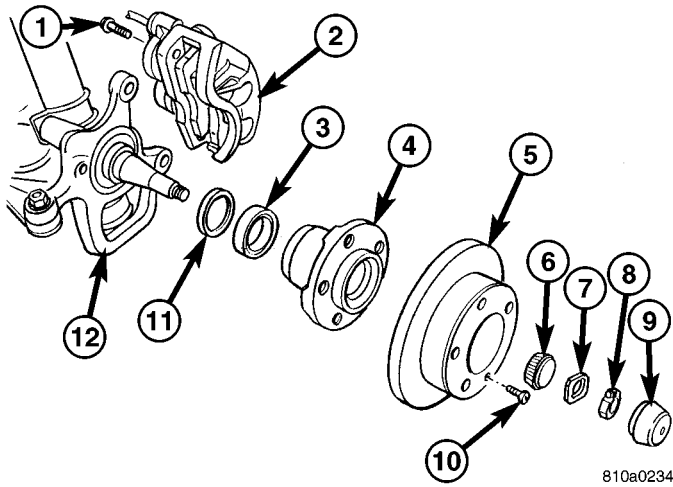


Fig. 4 FRONT WHEEL HUB WITH SINGLE REAR WHEELS (SRW)

- 1 - CALIPER ADAPTER BOLT
- 2 - DISC BRAKE CALIPER
- 3 - INNER BEARING
- 4 - WHEEL HUB
- 5 - DISC BRAKE ROTOR
- 6 - OUTER BEARING
- 7 - THRUST WASHER
- 8 - CLAMPING NUT
- 9 - GREASE CAP
- 10 - LOCKING BOLT
- 11 - GREASE SEAL
- 12 - STEERING KNUCKLE

INSTALLATION

- (1) Install the wheel hub with the tapered roller bearing on the stub axle (Fig. 4).
- (2) Grease the outer tapered roller bearing thoroughly and push onto the steering knuckle (Fig. 4).

NOTE: The smooth side of the thrust washer must point toward the wheel bearing.

- (3) Install the thrust washer (Fig. 4).
- (4) Install the clamping nut (Fig. 4). Tighten to 12 N·m (9 ft. lbs.) and then loosen a half of a turn.
- (5) Check for wheel bearing end play. End play should be 0.02- 0.04 mm (0.000787 - 0.00158 in.) (Fig. 3) (Refer to 2 - SUSPENSION/FRONT/HUB / BEARING - DIAGNOSIS AND TESTING).
- (6) Pack the grease cap half with grease and coat at the edge with sealant and install the cap (Fig. 4).
- (7) Install the disc brake rotor (Refer to 5 - BRAKES/HYDRAULIC/MECHANICAL/ROTORS - INSTALLATION).
- (8) Install the disc brake caliper adapter (Refer to 5 - BRAKES/HYDRAULIC/MECHANICAL/DISC BRAKE CALIPER ADAPTER - INSTALLATION).
- (9) Install the wheel flange ring (if equipped with dual rear wheels) (Fig. 5).
- (10) Install the front tire & wheels assembly (Refer to 22 - TIRES/WHEELS/WHEELS - INSTALLATION).
- (11) Lower the vehicle.

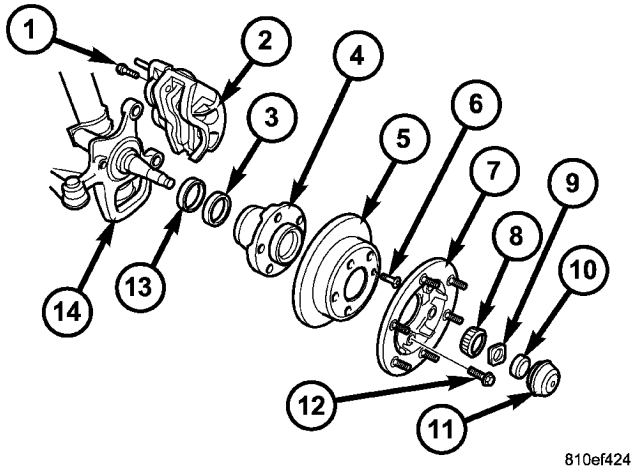


Fig. 5 FRONT WHEEL HUB WITH DUAL REAR WHEELS (DRW)

- 1 - ADAPTER BOLT
- 2 - DISC BRAKE CALIPER
- 3 - INNER BEARING RACE
- 4 - WHEEL HUB
- 5 - DISC BRAKE ROTOR
- 6 - LOCKING BOLT
- 7 - WHEEL FLANGE RING
- 8 - OUTER BEARING
- 9 - THRUST WASHER
- 10 - CLAMPING NUT
- 11 - GREASE CAP
- 12 - WHEEL FLANGE RING MOUNTING BOLT
- 13 - GREASE SEAL
- 14 - STEERING KNUCKLE

KNUCKLE

REMOVAL

- (1) Raise and support the vehicle.
- (2) Remove the front wheels (Refer to 22 - TIRES/WHEELS/WHEELS - REMOVAL).
- (3) Remove the disc brake caliper adapter (Refer to 5 - BRAKES/HYDRAULIC/MECHANICAL/DISC BRAKE CALIPER ADAPTER - REMOVAL).
- (4) Remove the hub/bearing (Refer to 2 - SUSPENSION/FRONT/HUB / BEARING - REMOVAL).
- (5) Separate the outer tie rod from the steering knuckle (Fig. 6) using special tool C-3894-A.
- (6) Raise the lower control arm approximately 10 mm using a jack. **In order to eliminate tensile force in the damper strut.**
- (7) Remove the ABS sensor from the knuckle by pulling straight out.
- (8) Remove the strut at the knuckle (Fig. 6).
- (9) Separate the lower ball joint from the steering knuckle using special tool 9282 (Fig. 6).
- (10) Remove the steering knuckle from the vehicle (Fig. 6).

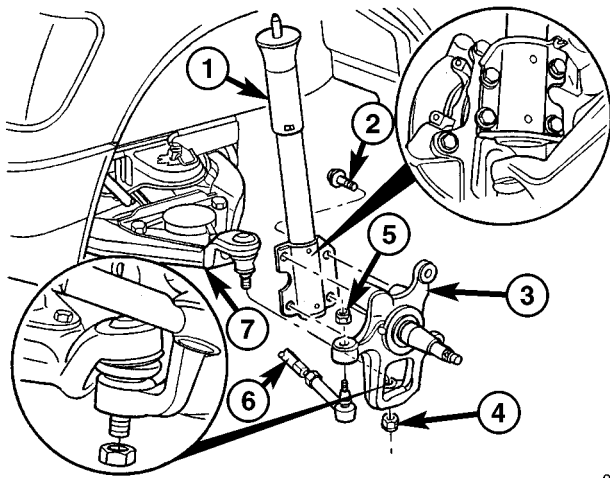


Fig. 6 STEERING KNUCKLE

- 1 - STRUT
- 2 - STRUT BOLT
- 3 - STEERING KNUCKLE
- 4 - LOWER BALL JOINT NUT
- 5 - OUTER TIE ROD END RETAINING NUT
- 6 - INNER TIE ROD END
- 7 - LOWER CONTROL ARM

810a0050

INSTALLATION

(1) Install the steering knuckle on the lower ball joint stud (Fig. 6).

(2) Install the lower ball joint nut (Fig. 6). Tighten to 280 N·m (206 ft. lbs.).

(3) Install the strut to the steering knuckle (Fig. 6). Tighten to 185 N·m (136 ft. lbs.).

(4) Install the outer tie rod end to the steering knuckle (Fig. 6) and tighten the nut to 130 N·m (96 ft. lbs.).

(5) Install the ABS sensor by pushing the sensor all the way into the knuckle and the sensor will self adjust when the wheel is turned.

(6) Install the hub/bearing (Refer to 2 - SUSPENSION/FRONT/HUB / BEARING - INSTALLATION).

(7) Install the disc brake caliper adapter with the brake caliper (Refer to 5 - BRAKES/HYDRAULIC/MECHANICAL/DISC BRAKE CALIPER ADAPTER - INSTALLATION).

(8) Install the front wheels (Refer to 22 - TIRES/WHEELS/WHEELS - INSTALLATION).

(9) Lower the vehicle.

(10) Check and set toe if necessary (Refer to 2 - SUSPENSION/WHEEL ALIGNMENT - STANDARD PROCEDURE).

LOWER BALL JOINT

REMOVAL

(1) Raise and support the vehicle.

(2) Remove the front tire and wheel assembly.

(3) Remove the front strut (Refer to 2 - SUSPENSION/FRONT/STRUT - REMOVAL).

(4) Remove the steering knuckle (Refer to 2 - SUSPENSION/FRONT/KNUCKLE - REMOVAL).

(5) Remove the lower ball joint using special tool 9294-1 (Driver) with 9294-2 (Receiver) and C-4212-F. (Fig. 7).

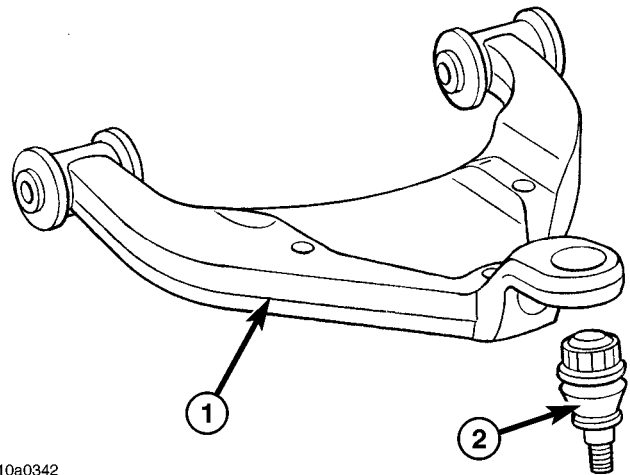


Fig. 7 LOWER BALL JOINT

- 1 - LOWER CONTROL ARM
- 2 - LOWER BALL JOINT

810a0342

INSTALLATION

(1) Install the ball joint into the lower control arm using special tool 9294-3 (Installer ring) inserted in 9294-2 (Receiver) and C-4212-F (Fig. 7).

(2) Install the front strut (Refer to 2 - SUSPENSION/FRONT/STRUT - INSTALLATION).

(3) Install the steering knuckle (Refer to 2 - SUSPENSION/FRONT/KNUCKLE - INSTALLATION).

(4) Install the tire and wheel assembly (Refer to 22 - TIRES/WHEELS/WHEELS - INSTALLATION).

(5) Lower the vehicle.

(6) Check the front wheel alignment (Refer to 2 - SUSPENSION/WHEEL ALIGNMENT - SPECIFICATIONS).

LOWER CONTROL ARM

REMOVAL

(1) Insert spring blocks special tool 9288 between the spring and the spring clamp plates, While the vehicles wheels are on the ground.

(2) Raise and support the vehicle.

(3) Remove the front wheels (Refer to 22 - TIRES/WHEELS/WHEELS - REMOVAL).

(4) Remove the disc brake caliper adapter (Refer to 5 - BRAKES/HYDRAULIC/MECHANICAL/DISC BRAKE CALIPER ADAPTER - REMOVAL). **Hang the caliper. Do not allow brake hose to support the caliper weight.**

(5) Remove the retaining nut holding the tie rod to the steering knuckle (Fig. 8).

(6) Separate the tie rod off the steering knuckle (Fig. 8) using special tool C-3894-A.

NOTE: In order to remove tension from the strut, Raise the lower control arm approximately 10 mm with a jack.

(7) Remove the strut bolts from the steering knuckle (Fig. 8).

(8) Remove the stop plate bolts and rotate the plate upwards with the stabilizer link attached (Fig. 8).

(9) Lower the lower control arm.

(10) Remove the lower ball joint nut from the steering knuckle (Fig. 8).

(11) Separate the lower ball joint from the knuckle using special tool 9282.

(12) Remove the lower control arm nuts and bolts from the frame (Fig. 8).

(13) Remove the lower control arm.

(2) Install the lower ball joint into the steering knuckle. Tighten to 280 N·m (206 ft. lbs.).

(3) Install the strut bolts to the steering knuckle (Fig. 8). Tighten to 185 N·m (136 ft. lbs.).

(4) Install the stop plate (Refer to 2 - SUSPENSION/FRONT/SPRING STOP PLATES - INSTALLATION).

(5) Lower the lower control arm.

(6) Attach the tie rod to the steering knuckle (Fig. 8). Tighten the nut to 130 N·m (96 ft. lbs.).

(7) Install the disc brake caliper adapter (Refer to 5 - BRAKES/HYDRAULIC/MECHANICAL/DISC BRAKE CALIPER ADAPTER - INSTALLATION) (Fig. 8).

(8) Install the front tire & wheel assembly (Refer to 22 - TIRES/WHEELS/WHEELS - INSTALLATION).

(9) Lower the vehicle.

(10) Remove the spring blocks between the spring and the spring clamp plates, While the vehicles wheels are on the ground.

(11) Roll the vehicle approximately 1 mm forwards and the backwards, and rock firmly.

(12) Tighten the lower control arm nuts and bolts to the frame to 150 N·m (110 ft. lbs.) (Fig. 8).

(13) Apply brake to actuate brake pressure.

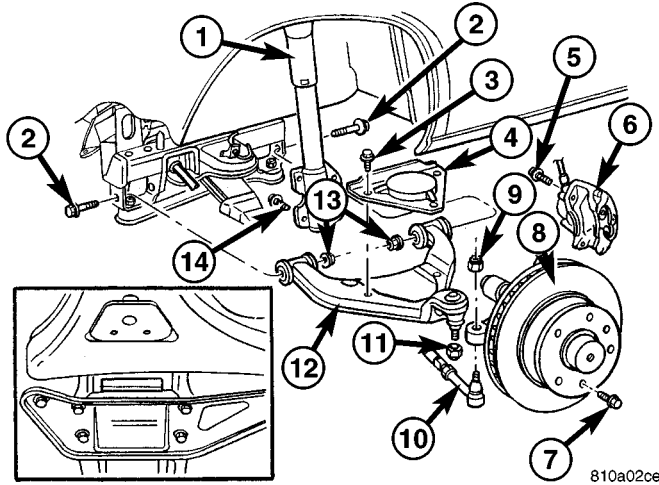


Fig. 8 LOWER CONTROL ARM

- 1 - STRUT
- 2 - LOWER CONTROL ARM BOLT
- 3 - STOP PLATE BOLT
- 4 - STOP PLATE
- 5 - CALIPER ADPTER BOLT
- 6 - DISC BRAKE CALIPER
- 7 - LOCKING BOLT
- 8 - DISC BRAKE ROTOR
- 9 - OUTER TIE ROD END RETAINING NUT
- 10 - OUTER TIE ROD END
- 11 - LOWER BALL JOINT NUT
- 12 - LOWER BALL JOINT
- 13 - LOWER CONTROL ARM NUTS
- 14 - STRUT BOLT

INSTALLATION

(1) Install the lower control arm to the frame. Hand tighten the nuts and bolts.

NOTE: In order to remove tension from the strut, Raise the lower control arm approximately 10 mm with a jack.

SPRING

REMOVAL

(1) **To do this next step the vehicle must be on the ground.** Remove the front and rear bolts on the left and right spring clamp plates (Fig. 9).

(2) Raise and support the vehicle.

(3) Remove the front wheels.

(4) Remove the brake caliper adapter (Refer to 5 - BRAKES/HYDRAULIC/MECHANICAL/DISC BRAKE CALIPER ADAPTER - REMOVAL). **Do not allow the caliper to hang by the hose, support the caliper accordingly.**

(5) Remove the ABS sensor from the mounting bore in the steering knuckle (Fig. 9).

(6) Remove the outer tie rod retaining nut and separate the tie rod from the knuckle (Fig. 9) using special tool C-3894-A.

NOTE: In order to remove tension from the strut, Raise the lower control arm approximately 10 mm with a jack.

(7) Remove the strut bolts from the steering knuckle.

(8) Remove both stop plate bolts and rotate the plates upwards with the stabilizer link attached.

(9) Lower the lower control arm.

(10) Remove the lower ball joint nut from the steering knuckle.

(11) Separate the lower ball joint from the knuckle using special tool 9282.

(12) Remove the lower control arm nuts and bolts from the frame.

(13) Remove the lower control arm from the frame (Fig. 9).

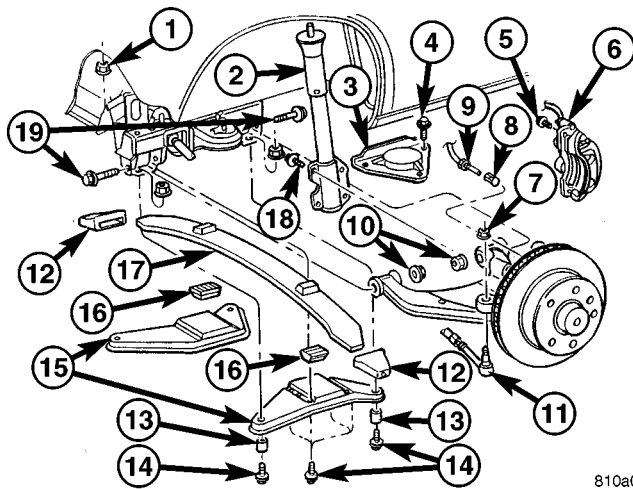
NOTE: To avoid damaging the transverse leaf spring, cushion the pad on the jack accordingly.

(14) Support the transverse leaf spring in the center with a jack.

(15) Remove the left and right spring clamp plates (Refer to 2 - SUSPENSION/Front/SPRING CLAMP PLATES - REMOVAL) (Fig. 9).

NOTE: The upper spring blocks between the engine cradle and the spring are color coded, Make sure not to mix the blocks per sides. The blocks are different in sizes to accommodate the weight of the vehicle and driver in order for the vehicle to sit level.

(16) Lower the jack and remove the transverse leaf spring towards the side.



810a0169

Fig. 9 FRONT SPRING

- 1 - NUT
- 2 - STRUT
- 3 - STOP PLATE
- 4 - STOP PLATE BOLT
- 5 - CALIPER ADAPTER BOLT
- 6 - DISC BRAKE CALIPER
- 7 - OUTER TIE ROD END NUT
- 8 - ABS SENSOR
- 9 - SPEED SENSOR
- 10 - LOWER CONTROL ARM RETAINING NUTS
- 11 - OUTER TIE ROD END
- 12 - RUBBER SPRING MOUNT
- 13 - SHEAR BUSHING
- 14 - SPRING CLAMP PLATE BOLT
- 15 - SPRING CLAMP PLATE
- 16 - LOWER RUBBER SPRING MOUNT
- 17 - SPRING
- 18 - STRUT BOLTS
- 19 - LOWER CONTROL ARM BOLTS

INSTALLATION

NOTE: To avoid damaging the transverse leaf spring, cushion the pad on the jack accordingly.

NOTE: Hand tighten all bolts until vehicle is on the ground, unless the bushings may become distorted.

NOTE: The height blocks between the engine cradle and the spring are color coded, Make sure not to mix the blocks per sides. The blocks are different in sizes to accommodate the weight of the vehicle and driver in order for the vehicle to sit level.

(1) Install the transverse leaf spring in the center with a jack with all the rubber mounts attached.

(2) Install the lower control arm to the frame (Fig. 9).

(3) Install the knuckle on the lower ball joint.

(4) Raise the lower control arm approximately 10 mm with a jack.

(5) Install both stop plate bolts to the lower control arm

(6) Install the strut bolts to the steering knuckle.

(7) Reinstall the tie rod to the steering knuckle (Fig. 9). Tighten to 150 N·m (110 ft. lbs.).

(8) Install the ABS sensor all the way into the steering knuckle, the sensor will adjust automatically when the vehicle is moved (Fig. 9).

(9) Install the disc brake caliper adapter (Fig. 9). Tighten to 170 N·m (125 ft. lbs.).

(10) Install the front wheels.

(11) Lower the vehicle.

(12) Install the spring clamp plates (Fig. 9). Tighten (M-10 bolts) to 65 N·m (48 ft. lbs.) (M-12 bolts) to 130 N·m (96 ft. lbs.).

(13) Roll the vehicle approximately 1 mm forwards and the backwards, and rock firmly.

(14) Tighten the nuts on the lower control arm to the frame to 150 N·m (110 ft. lbs.).

(15) Apply brake to actuate brake pressure.

SPRING CLAMP PLATES

REMOVAL

(1) Raise and support the vehicle.

(2) Install a jack under the lower ball joint and lower the weight of the vehicle enough to allow a wrench between the lower control arm and the bracket tighten the nut.

(3) Remove the front and rear bolts to the spring clamp plates.

(4) Remove the four inner retaining bolts and nuts.

- (5) Remove the spring clamp plate and rubber block.
- (6) Remove the shear bushings from the front and rear bolts.

INSTALLATION

- (1) Install a jack under the lower ball joint and lower the weight of the vehicle enough to allow a wrench between the lower control arm and the bracket tighten the nut.
- (2) Fit one spring clamp plate together with the lower spring rubber block.
- (3) Install the bolt with the shear bushing on the rear mounting, **Do not tighten yet.**
- (4) Install the four retaining bolts for the spring clamp plate. Tighten to 65 N·m (48 ft.lbs.).
- (5) Align the holes for the front clamp plate joint using a suitable drift (shear bushing not installed).
- (6) Remove the alignment drift.
- (7) Insert the shear bushing and retaining bolt into the hole and tighten to 130 N·m (96 ft.lbs.).
- (8) Remove the jack and lower the vehicle.

SPRING STOP PLATES

REMOVAL

- (1) Raise and support the vehicle.
- (2) Remove the tire and wheel assembly.
- (3) Remove the lower end of the stabilizer link from the stop plate.
- (4) Remove the three bolts retaining the spring stop plate from the lower control arm.

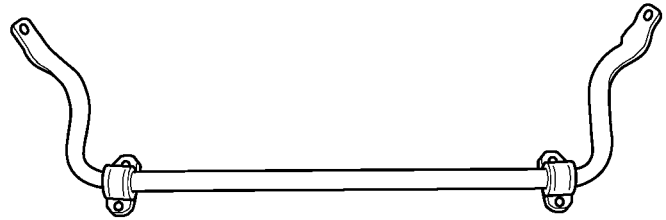
INSTALLATION

- (1) Install the spring stop plate to the lower control arm. Tighten the bolts to 60 N·m (44 ft. lbs.).
- (2) Install the stabilizer link to the spring stop plate.
- (3) Install the tire and wheel assembly.
- (4) Lower the vehicle.

STABILIZER BAR

DESCRIPTION

The bar extends across the front underside of the chassis and connects to the frame crossmember. The ends of the bar mount to the lower suspension arm. All mounting points of the stabilizer bar are isolated by bushings (Fig. 10).



80d267b1

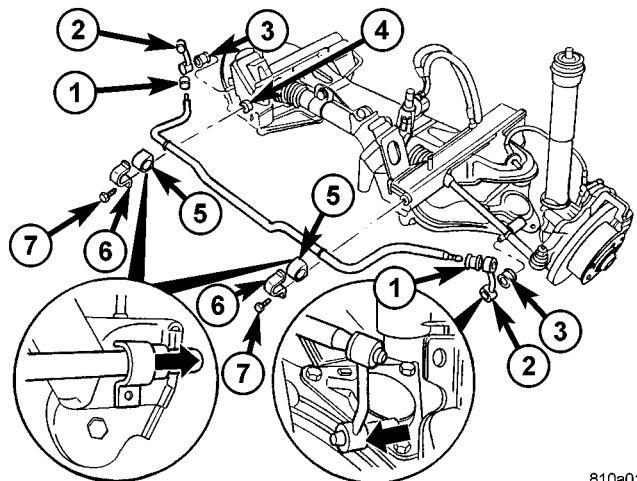
Fig. 10 STABILIZER BAR

OPERATION

The stabilizer bar is used to minimize vehicle front sway during turns. The bar helps to maintain a flat attitude to the road surface.

REMOVAL

- (1) Raise and support the vehicle.
- (2) Remove the stabilizer bar clamp bolts at the front axle (Fig. 11).
- (3) Press the rubber mount outwards out of the brackets (Fig. 11).
- (4) Remove the stabilizer links from the stabilizer bar (Fig. 11).



810a01aa

Fig. 11 STABILIZER BAR

- 1 - RUBBER MOUNT
- 2 - STABILIZER LINK
- 3 - RUBBER MOUNT
- 4 - NUT
- 5 - RUBBER MOUNT
- 6 - CLAMP BRACKET
- 7 - BOLT

INSTALLATION

- (1) Install the stabilizer links to the stabilizer bar (Fig. 11).
- (2) Install the stabilizer to the front axle (Fig. 11).

- (3) Install the stabilizer bar clamp and bolts (Fig. 11). Tighten the bolts to 30 N·m (22 ft. lbs.).
- (4) Lower the vehicle.

STABILIZER LINK

REMOVAL

- (1) Raise and support the vehicle.
- (2) Insert a pry bar between the stabilizer link and something solid to pry on.
- (3) Pry the stabilizer link off the stabilizer bar and the spring stop plate.

INSTALLATION

- (1) Install a mild detergent soap the to rubber bushings on the stabilizer link.
- (2) Install the stabilizer links onto the stabilizer bar and spring stop plate by pushing on the link.
- (3) Lower the vehicle.

STRUT

REMOVAL

- (1) On the drivers side remove the floor covering off to the side.
- (2) On the passengers side take off the cover for the tools.
- (3) Remove the cover for the upper strut mounting (Fig. 12).
- (4) Remove the nut on the upper strut mounting (Fig. 12).
- (5) Raise and support the vehicle.
- (6) Remove the front wheels.
- (7) Raise the lower control arm approximately 10 mm with a jack to remove the tension from the strut.
- (8) Remove the strut from the steering knuckle (Fig. 12).

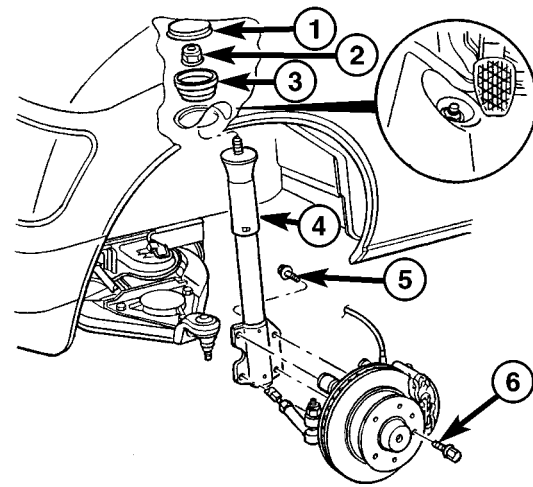


Fig. 12 STRUT

810a0125

- 1 - COVER
- 2 - NUT
- 3 - RUBBER MOUNT
- 4 - STRUT
- 5 - STRUT BOLT
- 6 - LOCKING BOLT

INSTALLATION

NOTE: Hand tighten the strut upper mounting nut until the vehicle is on the ground, otherwise the bushings may become distorted.

- (1) Install strut to the steering knuckle (Fig. 12). Tighten to 185 N·m (136 ft. lbs.).
- (2) Raise the lower control to install the upper part of the strut into the footwell. Tighten to 100 N·m (74 ft. lbs.).
- (3) Install wheels (Refer to 22 - TIRES/WHEELS/WHEELS - INSTALLATION).
- (4) Lower the vehicle.
- (5) Install the nut covers (Fig. 12).
- (6) Refit the floor covering and the tool cover.

REAR

TABLE OF CONTENTS

	page		page
REAR		REMOVAL - (DRW)	14
DESCRIPTION	11	INSTALLATION	
DIAGNOSIS AND TESTING - SPRING AND SHOCK	11	INSTALLATION - (SRW)	14
SPECIFICATIONS - TORQUE CHART	12	INSTALLATION - (DRW)	15
SHOCK		SPRING SHACKLE	
DIAGNOSIS AND TESTING - SHOCK	13	REMOVAL	15
REMOVAL	13	INSTALLATION	15
INSTALLATION	13	STABILIZER BAR	
SPRING		REMOVAL	15
DESCRIPTION	14	INSTALLATION	15
OPERATION	14	STABILIZER LINK	
REMOVAL		REMOVAL	16
REMOVAL - (SRW)	14	INSTALLATION	16

REAR

DESCRIPTION

The rear suspension is comprised of:

- Shock Absorbers
- Jounce Bumpers
- Stabilizer Bar
- Leaf Springs
- Drive Axle

CAUTION: A vehicle should always be loaded so the vehicle weight center-line is located immediately forward of the rear axle. Correct vehicle loading provides proper front tire-to-road contact. This results in maximum vehicle handling stability and safety. Incorrect vehicle weight distribution can cause excessive tire tread wear, spring fatigue or failure, and erratic steering.

CAUTION: Suspension components with rubber/urethane bushings (except stabilizer bar) should be tightened with the vehicle at normal ride height. It is important to have the springs supporting the weight of the vehicle when the fasteners are torqued. If springs are not at their normal ride position, vehicle ride comfort could be affected and premature bushing wear may occur.

DIAGNOSIS AND TESTING - SPRING AND SHOCK

A knocking or rattling noise from a shock absorber may be caused by movement between mounting

bushings and metal brackets or attaching components. These noises can usually be stopped by tightening the attaching nuts. If the noise persists, inspect for damaged and worn bushings, and attaching components. Repair as necessary if any of these conditions exist.

A squeaking noise from the shock absorber may be caused by the hydraulic valving and may be intermittent. This condition is not repairable and the shock absorber must be replaced.

The shock absorbers are not refillable or adjustable. If a malfunction occurs, the shock absorber must be replaced. To test a shock absorber, hold it in an upright position and force the piston in and out of the cylinder four or five times. The action throughout each stroke should be smooth and even.

The spring eye and shock absorber bushings do not require any type of lubrication. Do not attempt to stop spring bushing noise by lubricating them. Grease and mineral oil-base lubricants will deteriorate the bushing rubber.

If the vehicle is used for severe, off-road operation, the springs should be examined periodically. Check for broken and shifted leaves, loose and missing clips, and broken center bolts. Refer to Spring and Shock Absorber Diagnosis chart for additional information.

SPRING AND SHOCK ABSORBER

CONDITION	POSSIBLE CAUSES	CORRECTION
SPRING SAGS	1. Broken leaf. 2. Spring fatigue.	1. Replace spring. 2. Replace spring.
SPRING NOISE	1. Loose spring clamp bolts. 2. Worn bushings. 3. Worn or missing spring tip inserts.	1. Tighten to specification. 2. Replace bushings. 3. Replace spring tip inserts.
SHOCK NOISE	1. Loose mounting fastener. 2. Worn bushings. 3. Leaking shock.	1. Tighten to specification. 2. Replace shock. 3. Replace shock.

SPECIFICATIONS - TORQUE CHART

TORQUE SPECIFICATIONS

DESCRIPTION	N-m	Ft. Lbs.	In. Lbs.
Sway Bar Link	95	60	—
Sway Bar Clamp To Axle (SRW)	25	18	—
Sway Bar Clamp To Axle (DRW)	70	52	—
Rear Spring To Front Spring Bracket (SRW)	95	70	—
Rear Spring To Front Spring Bracket (DRW)	185	136	—
Rear Spring To Rear Spring Bracket (SRW)	85	63	—
Rear Spring To Rear Spring Bracket (DRW)	185	136	—
Spring Shackle To Rear Spring Bracket (SRW)	90	66	—
Spring Shackle To Rear Spring Bracket (DRW)	185	136	—
U-Bolt To Spring Plate & Axle (SRW&DRW)	170	125	—
Lower Shock Mounting To Rear Axle M12 X 1.5 Bolt	70	52	—

DESCRIPTION	N·m	Ft. Lbs.	In. Lbs.
Lower Shock Mounting To Rear Axle M14 X 1.5 Bolt (SRW&DRW)	110	81	—
Upper Shock Mounting To Frame (SRW)	80	59	—
Upper Shock Mounting To Frame (DRW)	140	103	—

SHOCK

DIAGNOSIS AND TESTING - SHOCK

A knocking or rattling noise from a shock absorber may be caused by movement between mounting bushings and metal brackets or attaching components. These noises can usually be stopped by tightening the attaching nuts. If the noise persists, inspect for damaged and worn bushings, and attaching components. Repair as necessary if any of these conditions exist.

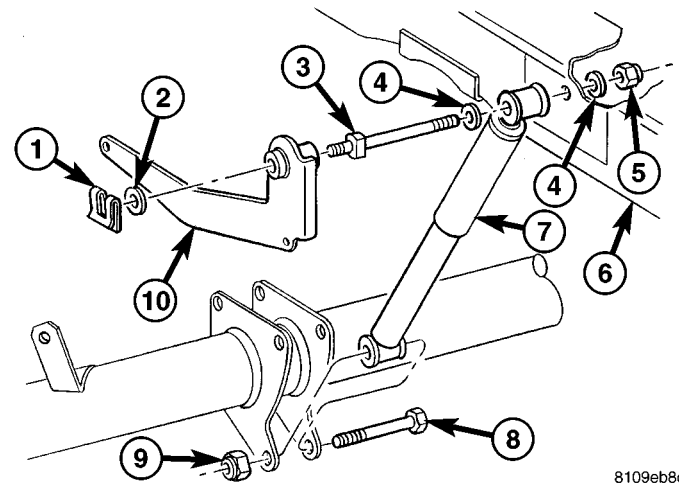
A squeaking noise from the shock absorber may be caused by the hydraulic valving and may be intermittent. This condition is not repairable and the shock absorber must be replaced.

The shock absorbers are not refillable or adjustable. If a malfunction occurs, the shock absorber must be replaced. To test a shock absorber, hold it in an upright position and force the piston in and out of the cylinder four or five times. The action throughout each stroke should be smooth and even.

The shock absorber bushings do not require any type of lubrication. Do not attempt to stop bushing noise by lubricating them. Grease and mineral oil-base lubricants will deteriorate the bushing.

REMOVAL

- (1) Raise and support the vehicle.
- (2) Remove the shock absorber bolt from the rear axle (Fig. 1).
- (3) Unsnap the clip for the ALB lever (left hand side) (Fig. 1).
- (4) Remove the ALB lever from the upper shock bolt/stud (Fig. 1).
- (5) Remove the shock absorber bolt from the frame side (Fig. 1).
- (6) Remove the shock absorber (Fig. 1).



8109eb8c

Fig. 1 SHOCK ABSORBER (LEFT SIDE SHOWN)

- 1 - CLIP
- 2 - WASHER
- 3 - MOUNTING STUD/BOLT
- 4 - WASHER
- 5 - NUT
- 6 - FRAME
- 7 - SHOCK ABSORBER
- 8 - BOLT
- 9 - NUT
- 10 - ALB LEVER

INSTALLATION

- (1) Install the shock absorber (Fig. 1).
- (2) Install the shock absorber bolt to the frame side (Fig. 1) Tighten to 80 N·m (59 ft.lbs.) for (SRW) or Tighten to 140 N·m (103 ft.lbs.) for (DRW).
- (3) Install the ALB lever to the upper shock bolt/stud (left hand side only) (Fig. 1).
- (4) Snap the clip for the ALB lever (Fig. 1).
- (5) Install the shock absorber bolt to the rear axle (Fig. 1) Tighten to 70 N·m (52 ft.lbs.) for (M12X1.5 bolt) or Tighten to 110 N·m (81 ft.lbs.) for (M14X1.5 bolt).
- (6) Lower the vehicle.

SPRING

DESCRIPTION

The rear suspension system uses a multi-leaf springs and a solid drive axle. The forward end of the springs are mounted to the body rail hangers through rubber bushings. The rearward end of the springs are attached to the body by the use of shackles. The spring and shackles use rubber bushings.

OPERATION

The springs control ride quality and maintain vehicle ride height. The shackles allow the springs to change their length as the vehicle moves over various road conditions.

REMOVAL

REMOVAL - (SRW)

- (1) Raise and support the vehicle.
- (2) Support the rear axle.
- (3) Remove the U-bolt and spring plate (Fig. 2).
- (4) Remove the spring from the front spring bracket (Fig. 2).
- (5) Remove the rear spring with the spring shackle from the spring bracket (Fig. 2).
- (6) Lower the rear axle and remove the rear spring.
- (7) Remove the spring shackle from the spring (if needed) (Fig. 2).

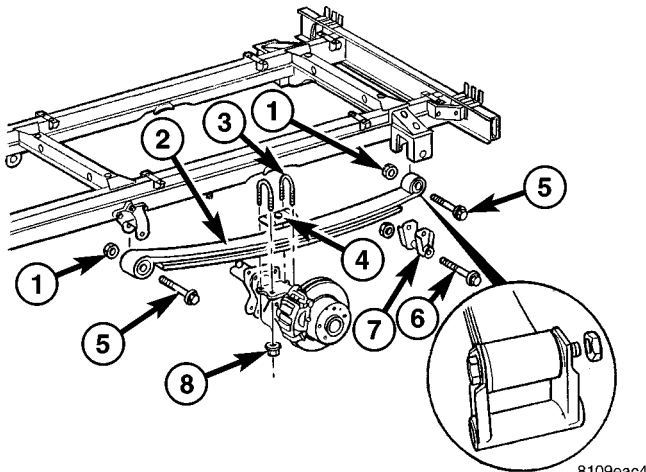
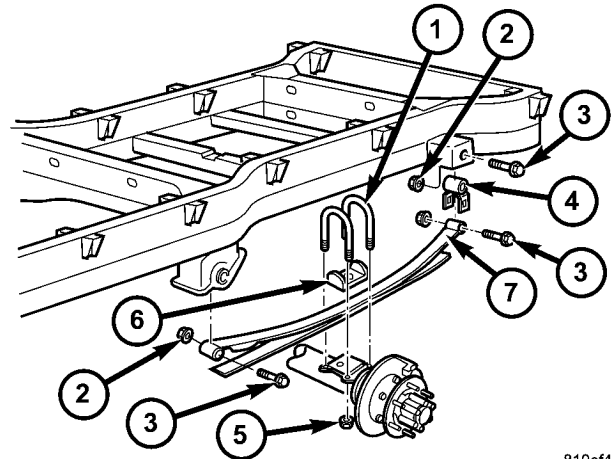


Fig. 2 REAR LEAF SPRING WITH SINGLE REAR WHEELS

- 1 - NUT
- 2 - LEAF SPRING
- 3 - U-BOLTS
- 4 - PLATE
- 5 - SPRING BOLT
- 6 - SHACKLE BOLT
- 7 - SPRING SHACKLE
- 8 - U-BOLT NUTS

REMOVAL - (DRW)

- (1) Raise and support the vehicle.
- (2) Support the rear axle.
- (3) Remove the U-bolt and spring plate (Fig. 3).
- (4) Remove the spring from the front spring bracket (Fig. 3).
- (5) Remove the rear spring with the spring shackle from the spring bracket (Fig. 3).
- (6) Lower the rear axle and remove the rear spring.
- (7) Remove the spring shackle from the spring (if needed) (Fig. 3).



810ef4e8

Fig. 3 REAR LEAF SPRING WITH DUAL REAR WHEELS

- 1 - U-BOLTS
- 2 - NUT
- 3 - BOLT
- 4 - SPRING SHACKLE
- 5 - U-BOLT MOUNTING NUT
- 6 - U-BOLT BRACKET ALIGNING PLATE
- 7 - LEAF SPRING

INSTALLATION

INSTALLATION - (SRW)

NOTE: Larger spring bushing goes toward the front.

- (1) Install the spring shackle to the spring (if removed) (Fig. 2). Tighten to 90 N·m (66 ft. lbs.).
- (2) Install the spring to the front spring bracket (Fig. 2). Tighten to 95 N·m (70 ft. lbs.).
- (3) Install the spring to the rear spring bracket (Fig. 2). Tighten to 85 N·m (63 ft. lbs.).
- (4) Raise the rear axle and attach the spring plate and U-bolts (Fig. 2). Tighten to 170 N·m (125 ft. lbs.).
- (5) Lower the vehicle.

INSTALLATION - (DRW)

NOTE: Larger spring bushing goes toward the front.

- (1) Install the spring shackle to the spring (if removed) (Fig. 3). Tighten to 185 N·m (136 ft. lbs.).
- (2) Install the spring to the front spring bracket (Fig. 3). Tighten to 185 N·m (136 ft. lbs.).
- (3) Install the spring to the rear spring bracket (Fig. 3). Tighten to 185 N·m (136 ft. lbs.).
- (4) Raise the rear axle and attach the spring plate and U-bolts (Fig. 3). Tighten to 170 N·m (125 ft. lbs.).
- (5) Lower the vehicle.

SPRING SHACKLE

REMOVAL

- (1) Raise and support the vehicle.
- (2) Support the rear axle.
- (3) Remove both the rear spring shackles from the spring bracket.
- (4) Lower the rear axle and remove the rear spring shackle from the spring.

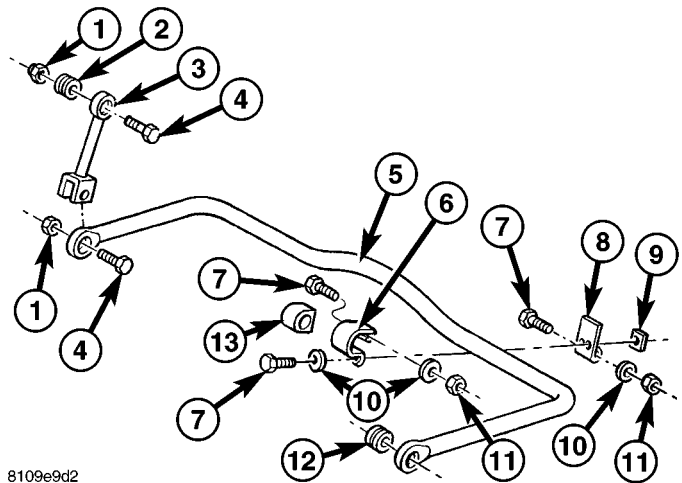
INSTALLATION

- (1) Install the spring shackle to the spring. Tighten to 90 N·m (66 ft. lbs.).
- (2) Raise the rear axle while installing the spring shackle to the spring bracket. Tighten to 85 N·m (63 ft. lbs.).
- (3) Lower the vehicle.

STABILIZER BAR

REMOVAL

- (1) Raise and support the vehicle.
- (2) Remove the stabilizer links at the bar (Fig. 4).
- (3) Remove the stabilizer bar clamp at the axle (Fig. 4).
- (4) Remove the bracket (Fig. 4)
- (5) Remove the stabilizer bar from the vehicle.



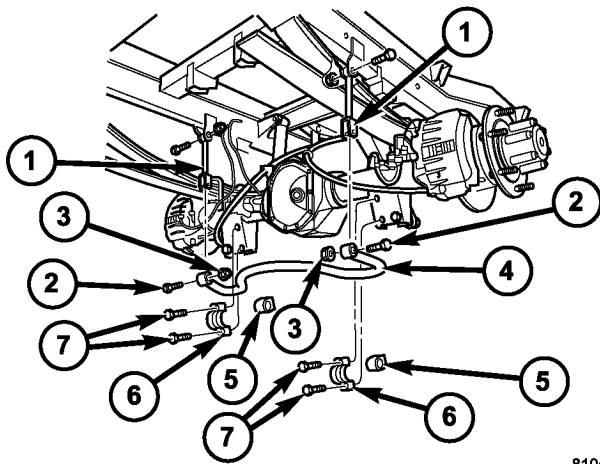
8109e9d2

Fig. 4 SWAY BAR WITH SINGLE REAR WHEELS (SRW)

- 1 - M12 NUT
- 2 - BUSHING
- 3 - SWAY BAR LINK
- 4 - M12 BOLT
- 5 - SWAY BAR
- 6 - CLAMP
- 7 - M8 BOLT
- 8 - BRACKET
- 9 - FOUR POINT NUT M8
- 10 - WASHER
- 11 - M8 NUT
- 12 - BUSHING
- 13 - MOUNT

INSTALLATION

- (1) Install the stabilizer bar to the axle.
- (2) Install the stabilizer bar clamps and bracket, center the bar then tighten to 25 N·m (18ft. lbs.) (SRW) (Fig. 4) or Tighten to 70 N·m (52 ft. lbs.) for (DRW) (Fig. 5).
- (3) Install the stabilizer bar to the stabilizer links and tighten to 95 N·m (60 ft. lbs.) (Fig. 4) or (Fig. 5).
- (4) Lower the vehicle.



810efe0c

**Fig. 5 SWAY BAR WITH DUAL REAR WHEELS
(DRW)**

- 1 - STABILIZER LINK
- 2 - SWAY BAR BOLT
- 3 - SWAY BAR NUT
- 4 - SWAY BAR
- 5 - RUBBER MOUNT
- 6 - SWAY BAR CLAMP
- 7 - CLAMP MOUNTING BOLTS

STABILIZER LINK

REMOVAL

- (1) Raise and support the vehicle.
- (2) Remove the stabilizer links at the bar (Fig. 4).
- (3) Remove the stabilizer link at the frame.

INSTALLATION

- (1) Install the stabilizer bar to the stabilizer links and tighten to 95 N·m (60 ft. lbs.) (Fig. 4).
- (2) Lower the vehicle.
- (3) Install the stabilizer link to the frame. Tighten to 95 N·m (60 ft. lbs.).

WHEEL ALIGNMENT

TABLE OF CONTENTS

	page		page
WHEEL ALIGNMENT		STANDARD PROCEDURE - TOE	
DESCRIPTION	17	ADJUSTMENT	18
DIAGNOSIS AND TESTING - PRE-ALIGNMENT		SPECIFICATIONS	19
INSPECTION	17		

WHEEL ALIGNMENT

DESCRIPTION

NOTE: Camber and Caster are not adjustable on this vehicle. (TOE ONLY).

NOTE: Suspension components with rubber/urethane bushings should be tightened with the vehicle at normal ride height. It is important to have the springs supporting the weight of the vehicle when the fasteners are torqued. If springs are not at their normal ride position, vehicle ride comfort could be affected and premature bushing wear may occur.

Wheel alignment involves the correct positioning of the wheels in relation to the vehicle. The positioning is accomplished through suspension and steering linkage adjustments. An alignment is considered essential for efficient steering, good directional stability and to minimize tire wear. The most important measurements of an alignment are caster, camber and toe (Fig. 1).

CAUTION: Never attempt to modify suspension or steering components by heating or bending.

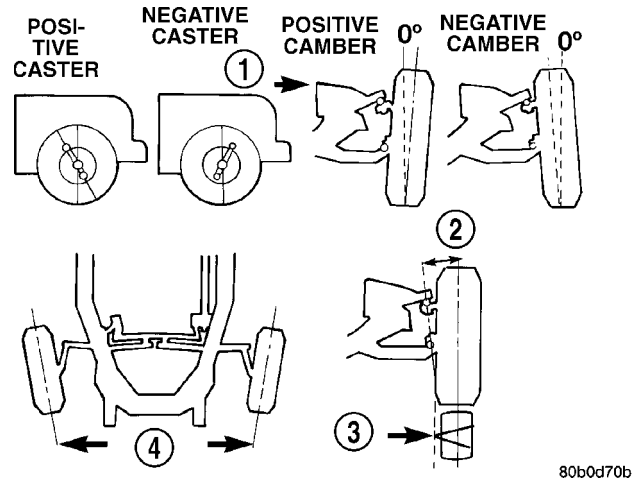


Fig. 1 Wheel Alignment Measurements

- 1 - FRONT OF VEHICLE
- 2 - STEERING AXIS INCLINATION
- 3 - PIVOT POINT
- 4 - TOE-IN

DIAGNOSIS AND TESTING - PRE - ALIGNMENT INSPECTION

Before starting wheel alignment, the following inspection and necessary corrections must be completed. Refer to Suspension and Steering System Diagnosis Chart below for additional information.

- (1) Inspect tires for size, air pressure and tread wear.
- (2) Inspect front wheel bearings for wear.
- (3) Inspect front wheels for excessive radial or lateral runout and balance.
- (4) Inspect ball studs, linkage pivot points and steering gear for looseness, roughness or binding.
- (5) Inspect suspension components for wear and noise.
- (6) Road test the vehicle.

SUSPENSION AND STEERING SYSTEM DIAGNOSIS

CONDITION	POSSIBLE CAUSES	CORRECTION
FRONT END NOISE	<ol style="list-style-type: none"> 1. Loose or worn wheel bearing. 2. Loose or worn steering or suspension components. 3. Loose or worn steering or suspension components. 	<ol style="list-style-type: none"> 1. Replace wheel bearing. 2. Tighten or replace components as necessary. 3. Tighten or replace components as necessary.
EXCESSIVE PLAY IN STEERING	<ol style="list-style-type: none"> 1. Loose or worn wheel bearing. 2. Loose or worn steering or suspension components. 3. Loose or worn steering gear. 	<ol style="list-style-type: none"> 1. Replace wheel bearing. 2. Tighten or replace components as necessary. 3. Replace steering gear.
FRONT WHEELS SHIMMY	<ol style="list-style-type: none"> 1. Loose or worn wheel bearing. 2. Loose or worn steering or suspension components. 3. Tires worn or out of balance. 4. Alignment. 	<ol style="list-style-type: none"> 1. Replace wheel bearing. 2. Tighten or replace components as necessary. 3. Replace or balance tires. 4. Align vehicle to specifications.
VEHICLE INSTABILITY	<ol style="list-style-type: none"> 1. Loose or worn wheel bearing. 2. Loose or worn steering or suspension components. 3. Tire pressure. 4. Alignment. 	<ol style="list-style-type: none"> 1. Replace wheel bearing. 2. Tighten or replace components as necessary. 3. Adjust tire pressure. 4. Align vehicle to specifications.
EXCESSIVE STEERING EFFORT	<ol style="list-style-type: none"> 1. Loose or worn steering gear. 2. Column coupler binding. 3. Tire pressure. 4. Alignment. 	<ol style="list-style-type: none"> 1. Replace steering gear. 2. Replace coupler. 3. Adjust tire pressure. 4. Align vehicle to specifications.
VEHICLE PULLS TO ONE SIDE	<ol style="list-style-type: none"> 1. Tire pressure. 2. Tire. 3. Alignment. 4. Loose or worn steering or suspension components. 5. Radial tire lead. 6. Brake pull. 7. Weak or broken spring. 	<ol style="list-style-type: none"> 1. Adjust tire pressure. 2. Criss-Cross Front Tires. 3. Align vehicle to specifications. 4. Tighten or replace components as necessary. 5. Rotate or replace tire as necessary. 6. Repair brake as necessary. 7. Replace spring.

STANDARD PROCEDURE - TOE ADJUSTMENT

CAMBER AND CASTER ARE NOT ADJUSTABLE (TOE ONLY)..

The wheel toe position adjustment is the final adjustment.

(1) Start the engine and turn wheels both ways before straightening the wheels. Secure the steering wheel with the front wheels in the straight-ahead position.

(2) Loosen the tie rod jam nuts.

NOTE: Each front wheel should be adjusted for one-half of the total toe position specification. This will ensure the steering wheel will be centered when the wheels are positioned straight-ahead.

(3) Adjust the wheel toe position by turning the inner tie rod as necessary.

- (4) Tighten the tie rod jam nut to 50 N·m (37 ft. lbs.).
- (5) Verify the specifications
- (6) Turn off engine.

SPECIFICATIONS

FRONT SPECIFICATIONS

DESCRIPTION	FRONT SPECIFICATION
Toe-In	0° (±0.16°)
Camber	0° (±0.75°)
Camber Left to Right Difference Max	1.33°
Caster	0° (±0.5°)
Steering Knuckle Inclination	0° (±0.5°)
Steering Knuckle Inclination Left to Right Difference Max	1°

REAR SPECIFICATIONS

DESCRIPTION	REAR SPECIFICATION
Toe-In Max	0° (±0.25°)
Camber Max	0° (-0.66°/+0.33°)
Inclination of Rear Wheels (Individual Wheel Toe)= Maximum Inclination of Rear Axle Max	0° (±0.25°)

TORQUE SPECIFICATIONS

DESCRIPTION	N-m	Ft. Lbs.	In. Lbs.
Outer Tie Rod End Jam Nut	50	37	-

DIFFERENTIAL & DRIVELINE

TABLE OF CONTENTS

	page		page
PROPELLER SHAFT	1	REAR AXLE	12

PROPELLER SHAFT

TABLE OF CONTENTS

	page		page
PROPELLER SHAFT		PROPELLER SHAFT	
DIAGNOSIS AND TESTING		REMOVAL	7
PROPELLER SHAFT	1	INSTALLATION	9
STANDARD PROCEDURE	4	CENTER BEARING	
SPECIFICATIONS	6	REMOVAL	9
SPECIAL TOOLS	6	INSTALLATION	10

PROPELLER SHAFT

DIAGNOSIS AND TESTING

PROPELLER SHAFT

PROPELLER SHAFT VIBRATION

Out-of-round tires or wheels that are out of balance, will cause a low frequency vibration.

Driveline vibration can be from loose or damaged engine mounts.

Propeller shaft vibration increases with vehicle speed. A vibration within a specific speed is not usually caused by a out of balanced propeller shaft. Worn universal joints or an incorrect propeller shaft angle, usually cause such a vibration.

DRIVELINE VIBRATION

Drive Condition	Possible Cause	Correction
Propeller Shaft Noise	1) Undercoating or other foreign material on shaft.	1) Clean exterior of shaft and wash with solvent.
	2) Loose U-joint clamp screws.	2) Install new clamps and screws and tighten to proper torque.
	3) Loose or bent U-joint yoke or excessive runout.	3) Install new yoke.
	4) Incorrect driveline angularity.	4) Measure and correct driveline angles.
	5) Rear spring center bolt not in seat.	5) Loosen spring u-bolts and seat center bolt.
	6) Worn U-joint bearings.	6) Install new U-joint.
	7) Propeller shaft damaged or out of balance.	7) Install new propeller shaft.
	8) Broken rear spring.	8) Install new rear spring.
	9) Excessive runout or unbalanced condition.	9) Re-index propeller shaft, test, and evaluate.
	10) Excessive drive pinion gear shaft runout.	10) Re-index propeller shaft and evaluate.
	11) Excessive axle yoke deflection.	11) Inspect and replace yoke if necessary.
	12) Excessive transfer case runout.	12) Inspect and repair as necessary.
Universal Joint Noise	1) Loose U-joint clamp screws.	1) Install new clamps and screws and tighten to proper torque.
	2) Lack of lubrication.	2) Replace as U-joints as necessary.

PROPELLER SHAFT BALANCE

NOTE: Removing and indexing the propeller shaft 180° relative to the yoke may eliminate some vibrations.

If propeller shaft is suspected of being out of balance, verify with the following procedure:

- (1) Place vehicle in neutral.
- (2) Raise and support the vehicle by the axles as level as possible.
- (3) Clean all foreign material from propeller shaft and universal joints.
- (4) Inspect propeller shaft for missing balance weights, broken welds, and bent areas.

NOTE: If propeller shaft is bent, it must be replaced.

- (5) Inspect universal joints for wear, properly installed and correct alignment with the shaft.
- (6) Check universal joint clamp screws torque.
- (7) Remove wheels and tires. Install wheel lug nuts to retain the brake drums/rotors.

(8) Mark and number propeller shaft six inches from the pinion yoke end at four positions 90° apart.

(9) Run and accelerate the vehicle until vibration occurs. Note intensity and speed the vibration occurred. Stop the engine.

(10) Install a screw clamp at position 1 (Fig. 1).

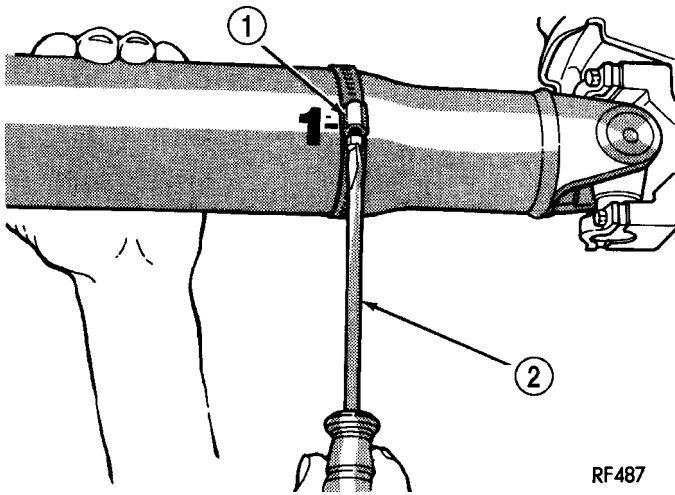


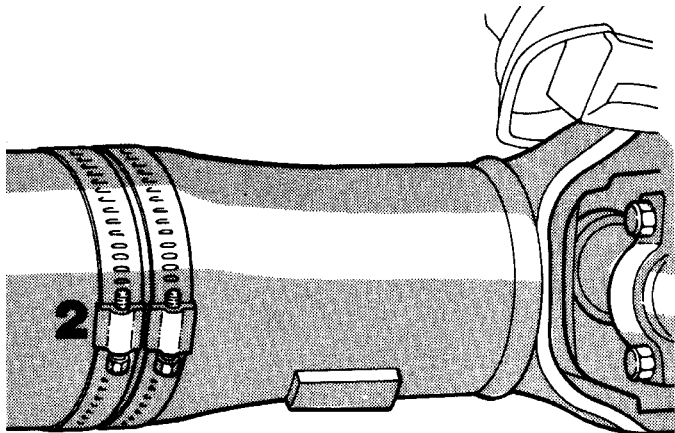
Fig. 1 Clamp Screw At Position 1

- 1 - CLAMP
- 2 - SCREWDRIVER

(11) Start engine and re-check for vibration. If little or no change in vibration is evident, move clamp to the next positions and repeat vibration test.

NOTE: If there is no difference in vibration at the other positions, the vibration may not be propeller shaft.

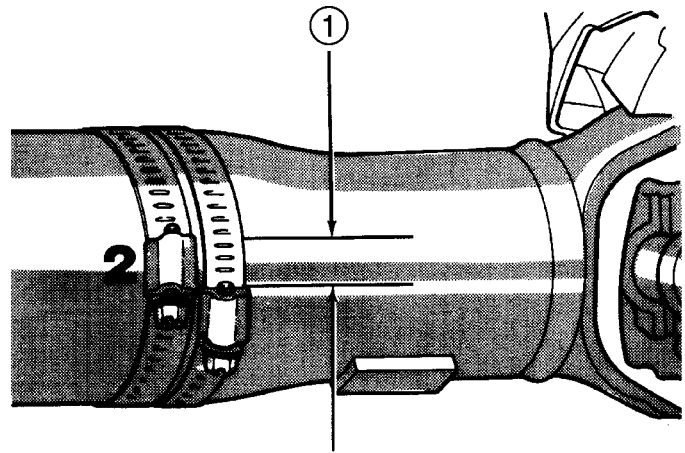
(12) If vibration decreased, install a second clamp (Fig. 2) and repeat vibration test.



RF488

Fig. 2 Two Clamp Screws At The Same Position

(13) If additional clamp causes additional vibration, separate clamps 1/2 inch above and below the mark. Repeat the vibration test (Fig. 3).



RF489

Fig. 3 Clamp Screws Separated

1 - 1/2 INCH

(14) Increase distance between clamps and repeat test until vibration is at the lowest level. Bend the slack end of the clamps so the screws will not loosen.

(15) If vibration remains unacceptable, preform the procedure to the front end of the propeller shaft.

(16) Install the wheel and tires. Lower the vehicle.

PROPELLER SHAFT RUNOUT

(1) Clean the propeller shaft surface where the dial indicator will contact the shaft.

(2) The dial indicator must be installed perpendicular to the shaft surface.

(3) Measure runout at the center and ends of the shaft away from weld areas, to ensure weld process will not effect the measurements.

(4) Refer to Runout Specifications chart.

(5) If propeller shaft is out of specification, remove propeller shaft and index the shaft 180°. Install the propeller shaft and measure shaft runout again.

(6) If propeller shaft is now within specifications, mark shaft and yokes for proper orientation.

(7) If propeller shaft runout is not within specifications, check runout of the transmission and axle. Correct as necessary and repeat propeller shaft runout measurement.

(8) Replace propeller shaft if the runout still exceeds the limits.

RUNOUT SPECIFICATIONS

Front of Shaft	0.020 in. (0.50 mm)
Center of Shaft	0.025 in. (0.63 mm)
Rear of Shaft	0.020 in. (0.50 mm)
<p>note: Measure front/rear runout approximately 76 mm (3 in.) from the weld seam at each end of the shaft tube for tube lengths over 30 inches. For tube lengths under 30 inches, the maximum allowed runout is 0.50 mm (0.020 in.) for the full length of the tube.</p>	

STANDARD PROCEDURE

PROPELLER SHAFT ANGLE

This procedure applies the front and rear propeller shafts.

- (1) Place vehicle in neutral.
- (2) Raise and support vehicle at the axles as level as possible.
- (3) Remove universal joint snap rings if equipped, so Inclinator 7663 base sits flat.
- (4) Rotate shaft until transmission case output yoke bearing is facing downward.

NOTE: Always make measurements from front to rear and from the same side of the vehicle.

- (5) Place Inclinator 7663 on yoke bearing (A) parallel to the shaft. Center bubble in sight glass and record measurement.

This measurement will give you the transmission yoke Output Angle (A).

- (6) Rotate propeller shaft 90 degrees and place inclinometer on yoke bearing parallel to the shaft. Center bubble in sight glass and record measurement. This measurement can also be taken at the rear end of the shaft.

This measurement will give you the Propeller Shaft Angle (C).

- (7) Rotate propeller shaft 90 degrees and place inclinometer on companion flange yoke bearing parallel to the shaft. Center bubble in sight glass and record measurement.

This measurement will give you the Pinion Flange Input Angle (B).

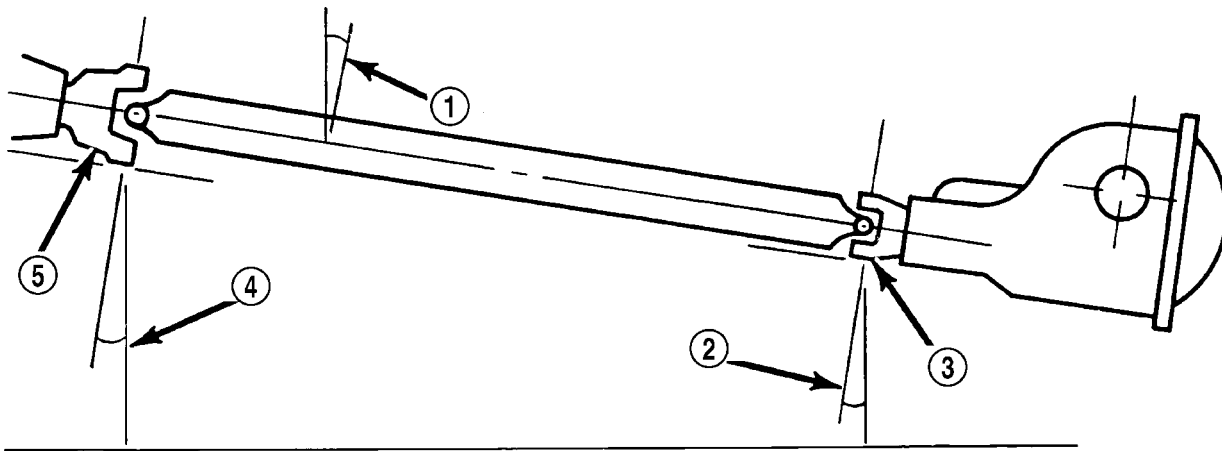
- (8) Subtract smaller figure from larger (C minus A) to obtain Transmission **Output Operating Angle**.

- (9) Subtract smaller figure from larger (C minus B) to obtain axle **Input Operating Angle**.

Refer to rules and example in (Fig. 4) for additional information.

RULES

- Good cancellation of U-joint operating angles should be within 1 degree.
- Operating angles should be less than 3 degrees.
- At least 1/2 of one degree continuous operating (propeller shaft) angle.



Horizontal Level	
(A) Output Yoke = 3.0° or 4.9°	(B) Axle Input Yoke = 3.2° or 4.9°
(C) Prop. Shaft = 4.9° or -3.0°	(C) Prop. Shaft = 4.9° or -3.2°
Transmission Output Operating Angle 1.9°	Axle Input Operating Angle 1.7°
Trans. Output Operating Angle 1.9°	Axle Input Operating Angle -1.7°
Amount of U-Joint Cancellation 0.2°	

J9316-3

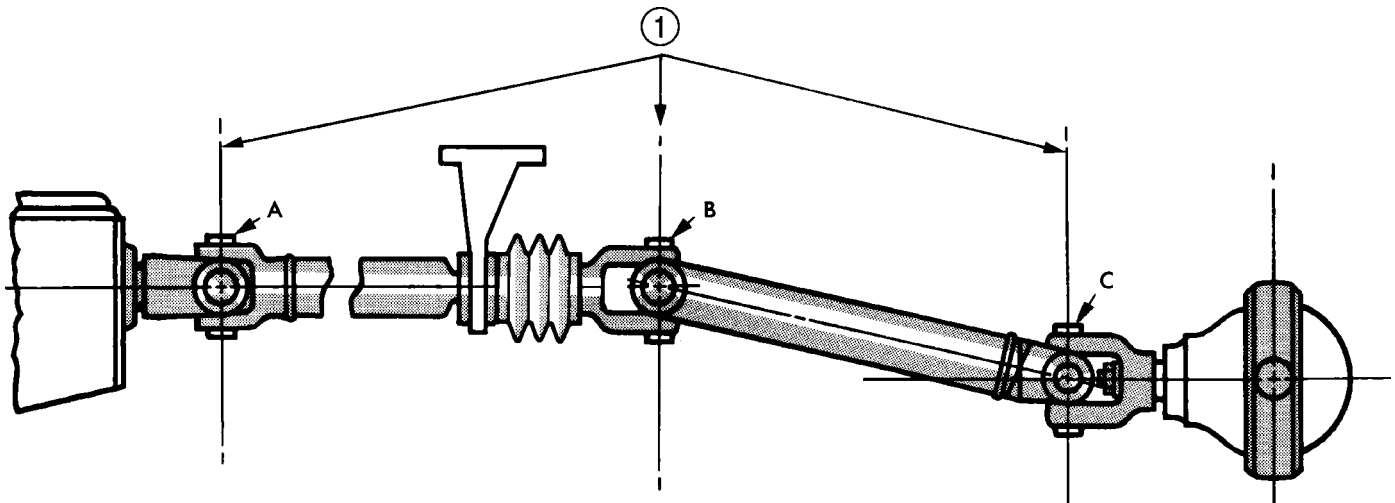
Fig. 4 UNIVERSAL JOINT ANGLE EXAMPLE

1 - 4.9° Angle (C)
 2 - 3.2° Angle (B)
 3 - Input Yoke

4 - 3.0° Angle (A)
 5 - Output Yoke

TWO / THREE - PIECE PROPELLER SHAFT

The procedure to measure the propeller shaft angles involved with a two/three-piece (Fig. 5) propeller shaft is the same as those for a one-piece propeller shaft.



J9016-26

Fig. 5 UNIVERSAL JOINT ANGLE

1 - YOKES MUST BE IN SAME PLANE

SPECIFICATIONS

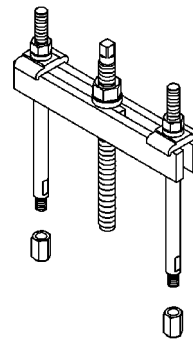
TORQUE SPECIFICATIONS

DESCRIPTION	N-m	Ft. Lbs.	In. Lbs.
Propeller shaft to transmission bolt	70	52	-
Propeller shaft to axle bolt	70	52	-
Retaining bracket to frame floor bolt	100	74	-
Center Bearing support to frame floor bolt	95	70	-
Center Bearing to support nut	105	77	-

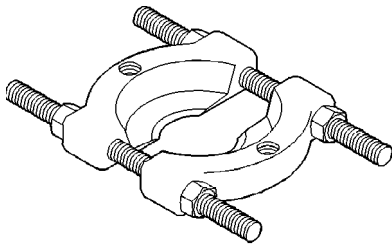
SPECIAL TOOLS

SPECIAL TOOL CROSS-REFERENCE CHART

MB TOOL #	MILLER TOOL #	DESCRIPTION
N/A	938	BRIGE
N/A	1130	SPLITTER
387 589 05 15 00	9275	INSTALLER
N/A	7663	INCLINOMETER

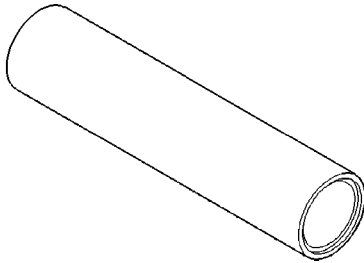


BRIDGE 938

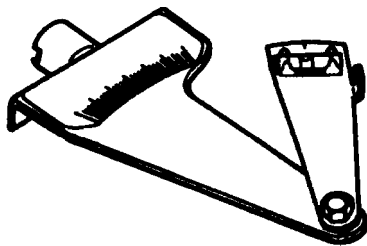


SPLITTER 1130

1130-00109ac3



INSTALLER 9275

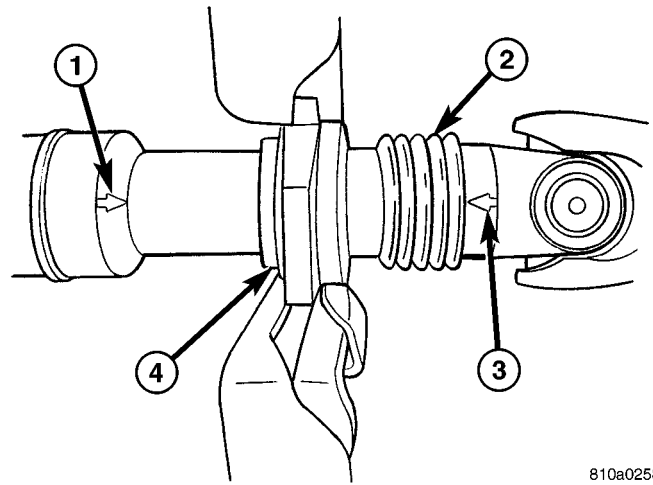


INCLINOMETER 7663

PROPELLER SHAFT

REMOVAL

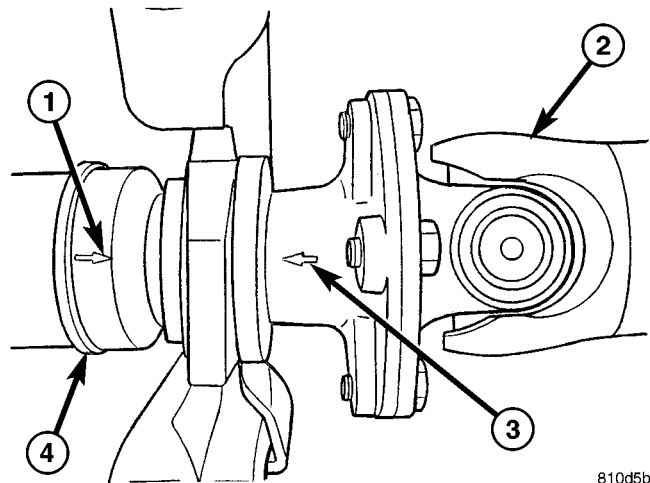
- (1) Secure vehicle to prevent it from rolling.
- (2) Make installing reference marks on propeller shaft (Fig. 6) and (Fig. 7).



810a0258

Fig. 6 ALIGNMENT MARKS

- 1 - ALIGNMENT MARK
- 2 - BOOT
- 3 - ALIGNMENT MARK
- 4 - CENTER BEARING



810d5b95

Fig. 7 ALIGNMENT MARKS 3 PIECE SHAFT

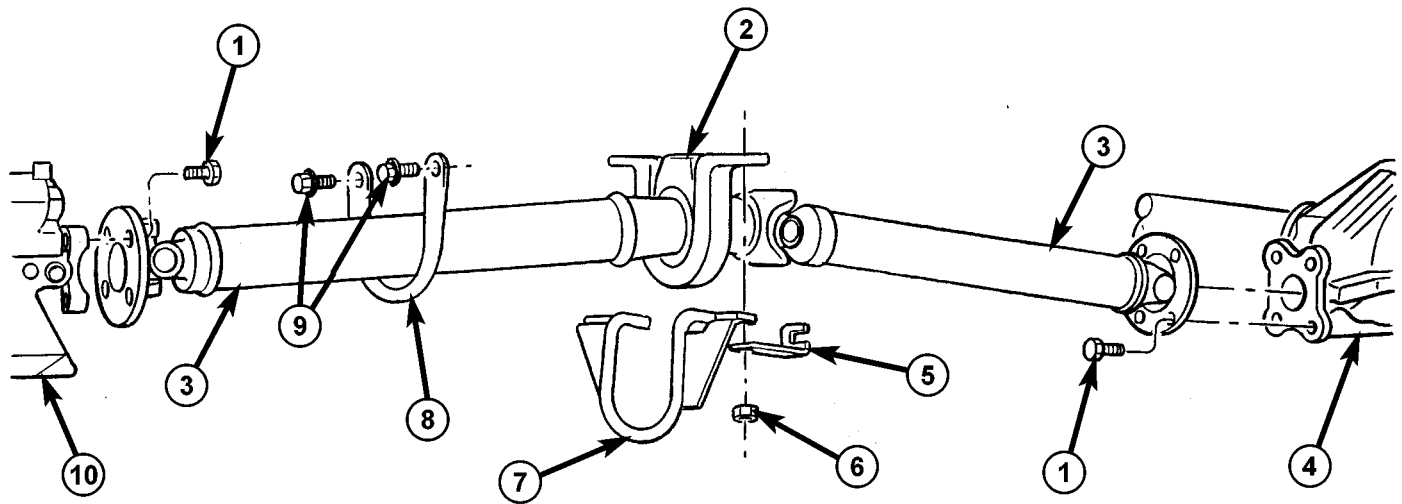
- 1 - REFERENCE MARK
- 2 - CENTER SHAFT
- 3 - REFERENCE MARK
- 4 - REAR SHAFT

(3) Remove retaining bracket bolts (Fig. 8) and (Fig. 9).

(4) Remove propeller shaft bolts from rear axle and transmission at the flange.

(5) Remove propeller shaft intermediate bearing nuts from retaining bracket and bracket for brake cable.

NOTE: The brake cable bracket is only installed in vehicles with wheelbase 3550 mm

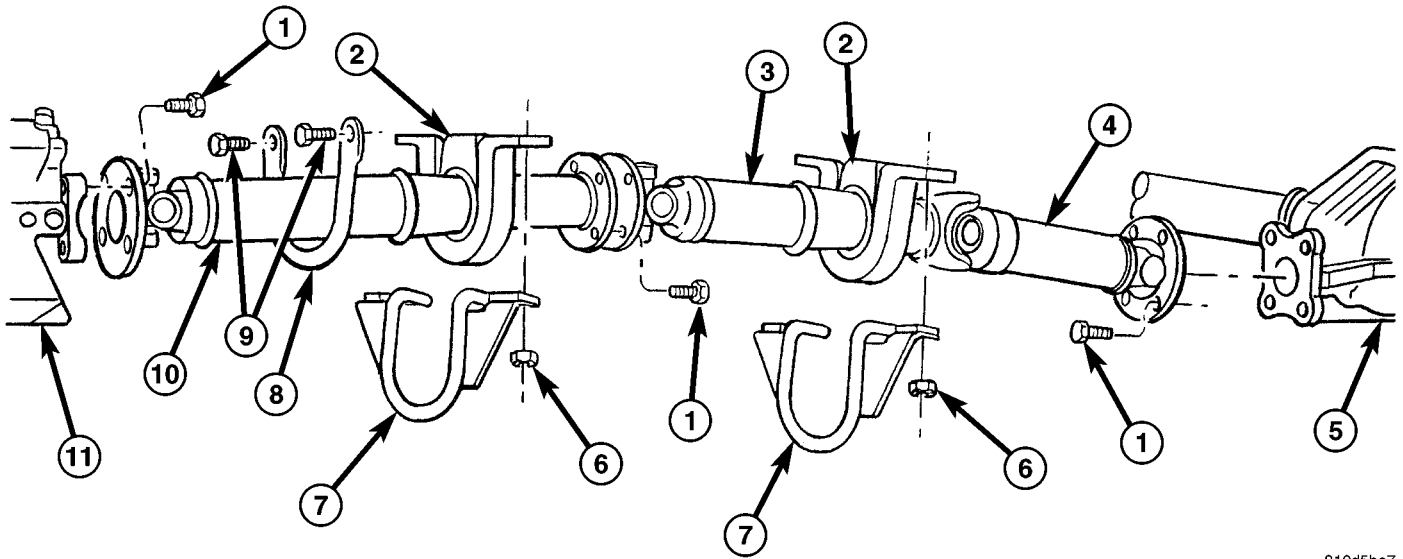


8109af0f

Fig. 8 2 PIECE PROPELLER SHAFT

- 1 - FLANGE BOLT
- 2 - BEARING
- 3 - PROPELLER SHAFT
- 4 - REAR AXLE
- 5 - CABLE BRACKET

- 6 - NUT
- 7 - BRACKET
- 8 - RETAINING BRACKET
- 9 - COLLARED BOLT
- 10 - TRANSMISSION



810d5ba7

Fig. 9 3 PIECE PROPELLER SHAFT

- | | |
|--------------------------|-----------------------|
| 1 - FLANGE BOLT | 7 - BRACKET |
| 2 - INTERMEDIATE BEARING | 8 - RETAINING BRACKET |
| 3 - CENTER SHAFT | 9 - BOLT |
| 4 - REAR SHAFT | 10 - FRONT SHAFT |
| 5 - REAR AXLE | 11 - TRANSMISSION |
| 6 - NUT | |

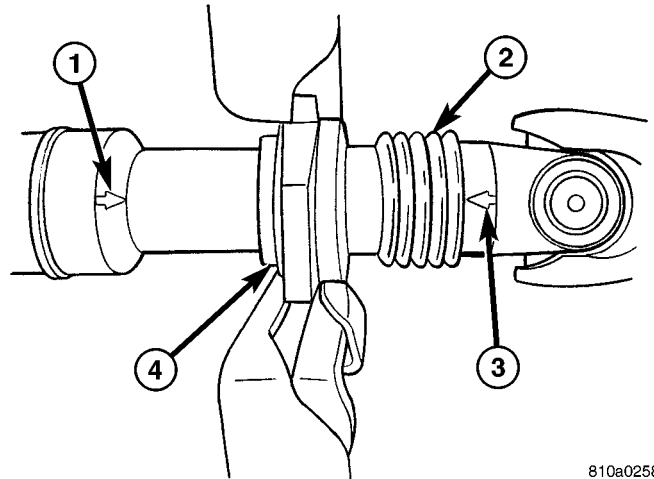
(6) Remove shaft from the vehicle.

INSTALLATION

- (1) Install propeller shaft intermediate bearing/bearings to support and tighten nuts to 105 N·m (77 ft. lbs.).
- (2) Install propeller shaft intermediate bearing support/supports to frame floor and tighten bolts to 95 N·m (70 ft. lbs.).
- (3) Install propeller shaft intermediate bearing with retaining bracket and bracket for brake cable.

NOTE: The bracket is only installed on vehicles with wheelbase 3550 mm.

- (4) Install propeller shaft to rear axle and transmission flange with installation marks are aligned. Tighten bolts to 70 N·m (66 ft. lbs.).
- (5) Install retaining bracket and tighten bolts to 100 N·m (74 ft. lbs.).



810a0258

Fig. 10 ALIGNMENT MARKS

- | |
|--------------------|
| 1 - ALIGNMENT MARK |
| 2 - BOOT |
| 3 - ALIGNMENT MARK |
| 4 - CENTER BEARING |

CENTER BEARING

REMOVAL

- (1) Remove propeller shaft.
- (2) Mark shafts for installation alignment (Fig. 10).

(3) Loosen both collar clamps (Fig. 11).

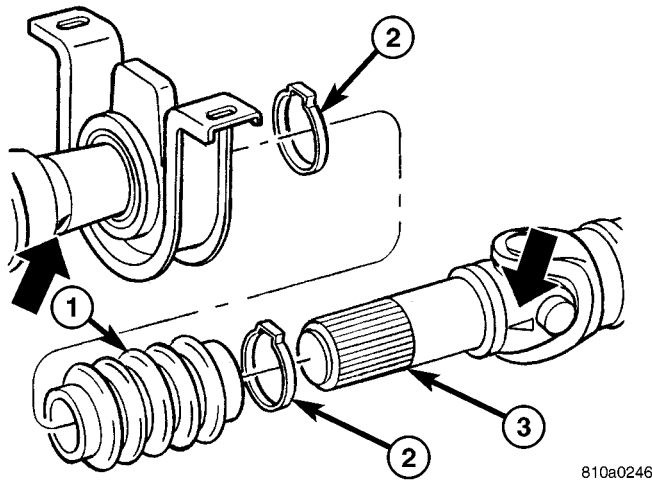


Fig. 11 BOOT

810a0246

- 1 - BOOT
- 2 - CLAMP
- 3 - SHAFT

- (4) Pull apart propeller shaft.
- (5) Remove snap-ring (Fig. 12).

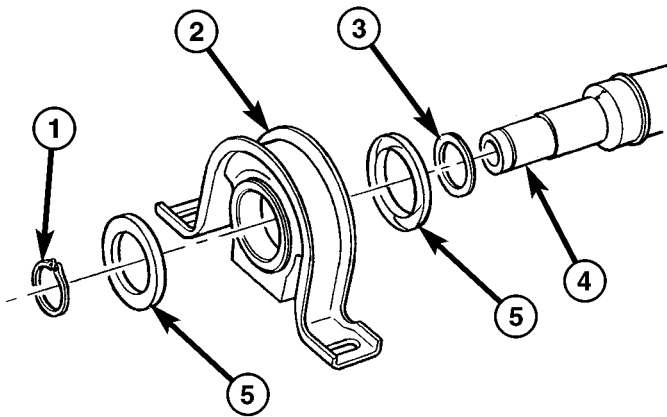


Fig. 12 CENTER BEARING

810a020a

- 1 - SNAP-RING
- 2 - CENTER BEARING
- 3 - WASHER
- 4 - SHAFT
- 5 - PROTECTIVE CAP

NOTE: If center bearing is equipped with a round flange remove bolt from the middle of the flange.

- (6) Pull off center bearing with a Bearing Splitter 1130 and Bridge 938, with a plug on the end of the shaft (Fig. 13).

NOTE: The bearing splitter must be positioned behind the thrust washer of the bearing.

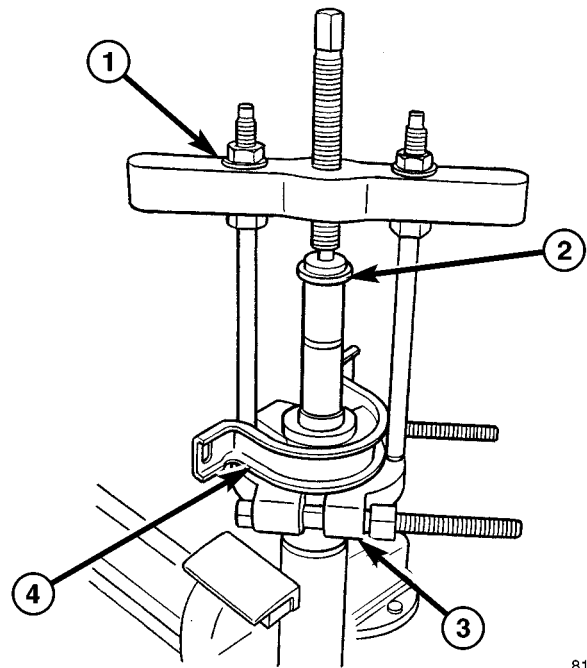


Fig. 13 CENTER BEARING REMOVAL

810a0230

- 1 - BRIDGE
- 2 - PLUG
- 3 - BEARING SPLITTER
- 4 - CENTER BEARING

INSTALLATION

- (1) Press center bearing on propeller shaft with protective caps and washer with Installer 9275 (Fig. 14).

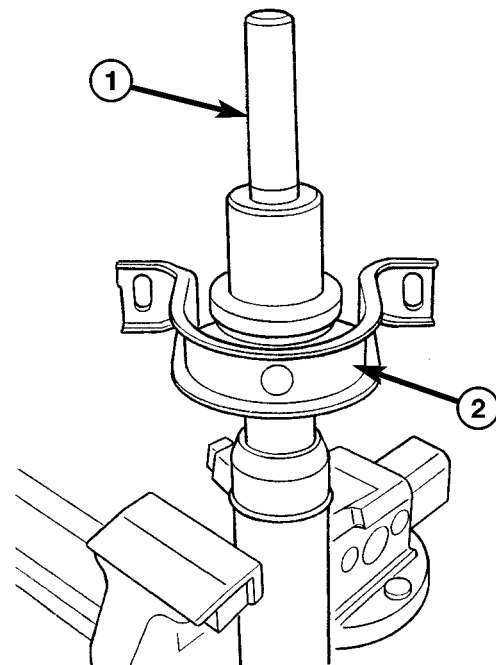


Fig. 14 CENTER BEARING INSTALLATION

810a024d

- 1 - INSTALLER
- 2 - CENTER BEARING

NOTE: If center bearing is equipped with a round flange install new bolt in middle of the flange and tighten to 95 N-m (70 ft. bls.).

- (2) Install snap-ring.
- (3) Coat propeller shaft spline with universal grease.
- (4) Push rubber boot onto propeller shaft.
- (5) Push together propeller shaft. Pay attention to alignment markings for installation position.
- (6) Ensure rubber seal is correctly installed and attach **new** collar clamps.
- (7) Install propeller shaft.

REAR AXLE

TABLE OF CONTENTS

	page		page
REAR AXLE		DIFFERENTIAL	
DIAGNOSIS AND TESTING	12	REMOVAL	31
STANDARD PROCEDURE - DRAIN AND FILL ..	13	DISASSEMBLY	
REMOVAL	14	DISASSEMBLY-SINGLE REAR WHEEL	32
INSTALLATION	16	DISASSEMBLY-DUAL REAR WHEEL	33
SPECIFICATIONS	18	ASSEMBLY	
SPECIAL TOOLS	19	ASSEMBLY-SINGLE REAR WHEEL	34
SHAFT-AXLE SINGLE REAR WHEEL		ASSEMBLY-DUAL REAR WHEEL	36
REMOVAL-SINGLE REAR WHEEL	23	INSTALLATION	37
INSTALLATION-SINGLE REAR WHEEL	24	BEARINGS-DIFFERENTIAL CASE	
BEARING/SEAL-AXLE		REMOVAL	38
REMOVAL	24	INSTALLATION	38
INSTALLATION	26	SEAL-PINION	
SHAFT-AXLE DUAL REAR WHEELS		REMOVAL	39
REMOVAL-DUAL REAR WHEEL	27	INSTALLATION	40
INSTALLATION-DUAL REAR WHEEL	28	GEAR-PINION/RING	
BEARING/SEAL-AXLE HUB		REMOVAL	41
REMOVAL	28	INSTALLATION	42
INSTALLATION	29		

REAR AXLE

DIAGNOSIS AND TESTING

NOTE: Axle seals, axle bearings, pinion seals and differential cover are the only serviceable components. If differential is damaged/noisy the axle must be replaced.

GEAR NOISE

Axle gear noise can be caused by insufficient lubricant, incorrect backlash, incorrect pinion depth, tooth contact, worn/damaged gears, or the carrier housing not having the proper offset and squareness.

Gear noise usually happens at a specific speed range. The noise can also occur during a specific type of driving condition. These conditions are acceleration, deceleration, coast, or constant load.

When road testing, first warm-up the axle fluid by driving the vehicle at least 5 miles and then accelerate the vehicle to the speed range where the noise is the greatest. Shift out-of-gear and coast through the peak-noise range. If the noise stops or changes greatly:

- Check for insufficient lubricant.
- Incorrect ring gear backlash.
- Gear damage.

Differential side gears and pinions can be checked by turning the vehicle. They usually do not cause

noise during straight-ahead driving when the gears are unloaded. The side gears are loaded during vehicle turns. A worn pinion shaft can also cause a snapping or a knocking noise.

BEARING NOISE

The axle shaft, differential and pinion bearings can all produce noise when worn or damaged. Bearing noise can be either a whining, or a growling sound.

Pinion bearings have a constant-pitch noise. This noise changes only with vehicle speed. Pinion bearing noise will be higher pitched because it rotates at a faster rate. Drive the vehicle and load the differential. If bearing noise occurs, the rear pinion bearing is the source of the noise. If the bearing noise is heard during a coast, the front pinion bearing is the source.

Differential bearings usually produce a low pitch noise. Differential bearing noise is similar to pinion bearing noise. The pitch of differential bearing noise is also constant and varies only with vehicle speed.

Axle shaft bearings produce noise and vibration when worn or damaged. The noise generally changes when the bearings are loaded. Road test the vehicle. Turn the vehicle sharply to the left and to the right. This will load the bearings and change the noise level. Where axle bearing damage is slight, the noise is usually not noticeable at speeds above 30 mph.

LOW SPEED KNOCK

Low speed knock is generally caused by a worn U-joint or by worn side-gear thrust washers. A worn pinion shaft bore will also cause low speed knock.

VIBRATION

Vibration at the rear of the vehicle is usually caused by a:

- Damaged drive shaft.
- Missing drive shaft balance weight(s).
- Worn or out-of-balance wheels.
- Loose wheel lug nuts.
- Worn U-joint(s).
- Loose/broken springs.
- Damaged axle shaft bearing(s).
- Loose pinion gear nut.
- Excessive pinion yoke run out.
- Bent axle shaft(s).

Check for loose or damaged front-end components or engine/transmission mounts. These components can contribute to what appears to be a rearend vibration. Do not overlook engine accessories, brackets and drive belts.

NOTE: All driveline components should be examined before starting any repair.

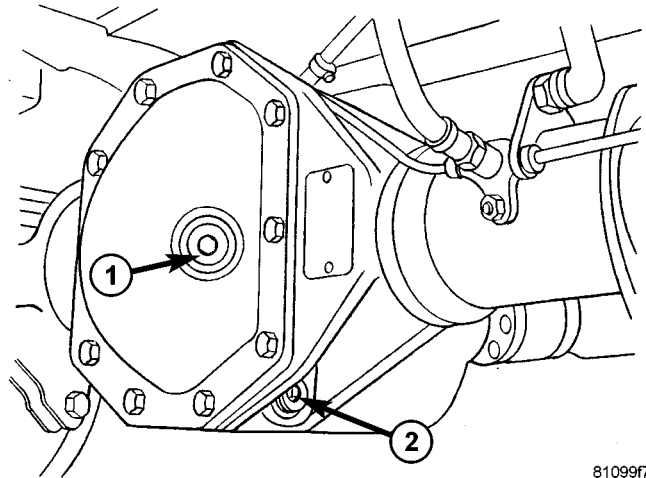
DRIVELINE SNAP

A snap or clunk noise when the vehicle is shifted into gear (or the clutch engaged), can be caused by:

- High engine idle speed.
- Transmission shift operation.
- Loose engine/transmission/transfer case mounts.
- Worn U-joints.
- Loose spring mounts.
- Loose pinion gear nut and yoke.
- Excessive ring gear backlash.
- Excessive side gear to case clearance.

The source of a snap or a clunk noise can be determined with the assistance of a helper. Raise the vehicle on a hoist with the wheels free to rotate. Instruct the helper to shift the transmission into gear. Listen for the noise, a mechanics stethoscope is helpful in isolating the source of a noise.

STANDARD PROCEDURE - DRAIN AND FILL



8109979

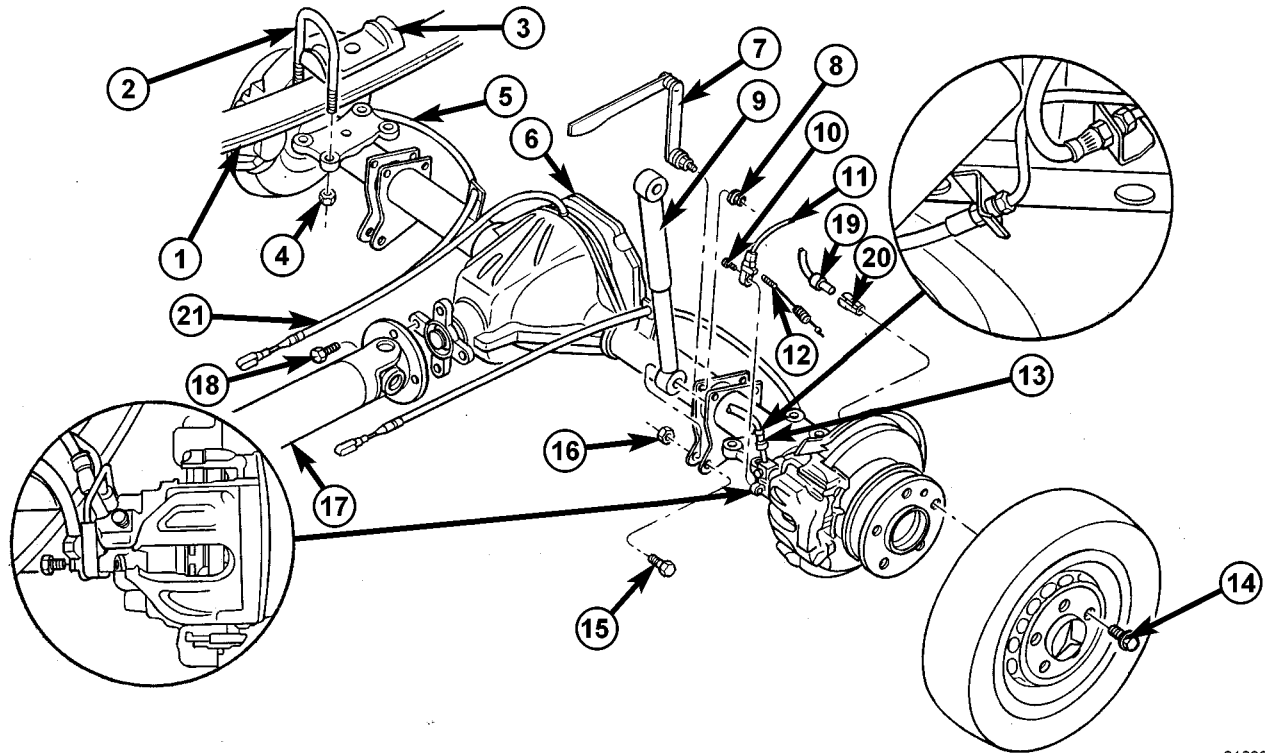
Fig. 1 FILL PLUG

- 1 - FILL PLUG
2 - DRAIN PLUG

NOTE: Drain oil when warm.

- (1) Clean area around oil fill plug and drain plug.
- (2) Remove oil drain plug (2) and drain oil (Fig. 1).
- (3) Install oil drain plug and tighten to N·m 100 (74 ft. lbs.).
- (4) Remove oil fill plug (1) and fill housing up to bottom edge of oil fill hole (Fig. 1).
- (5) Install oil fill plug and tighten to N·m 100 (74 ft. lbs.).

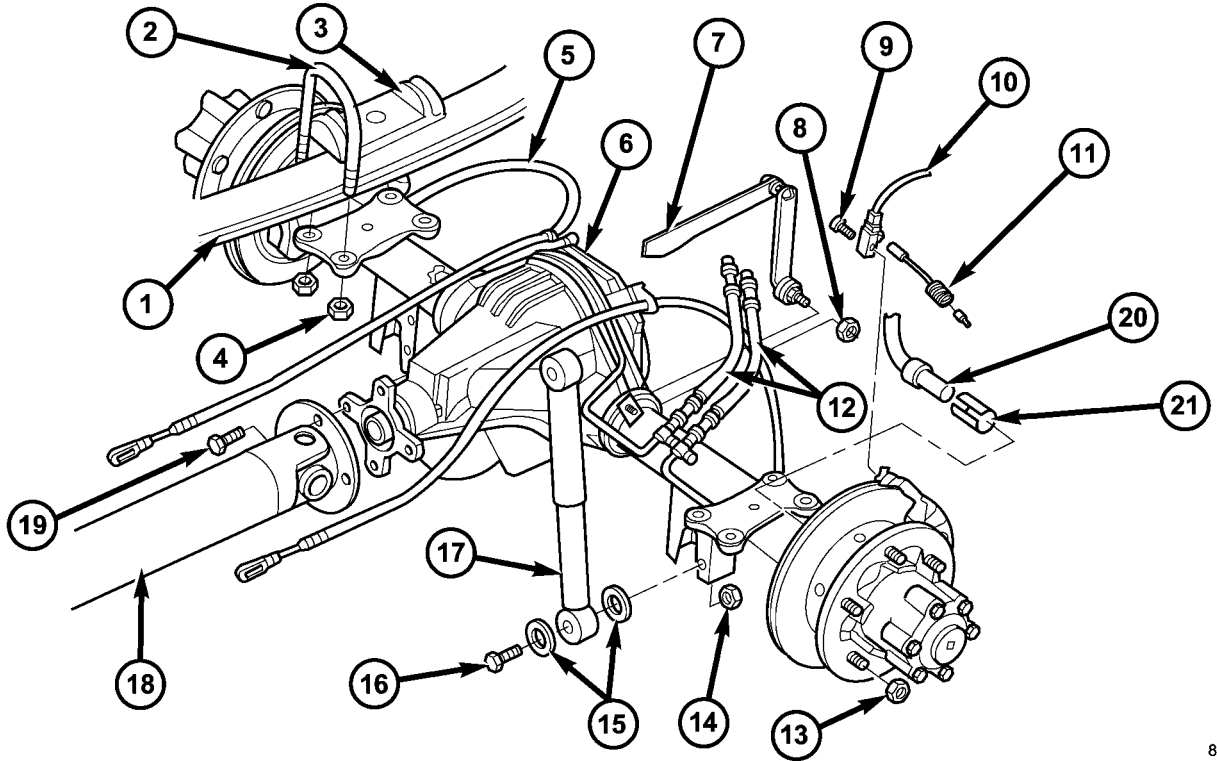
REMOVAL



810982e7

Fig. 2 SINGLE REAR WHEEL AXLE

- | | |
|---------------------------|-------------------------------|
| 1 - REAR SPRING | 12 - WEAR INDICATOR CONNECTOR |
| 2 - U-BRACKET | 13 - BRAKE HOSE |
| 3 - PLATE | 14 - WHEEL BOLT |
| 4 - NUT | 15 - BOLT |
| 5 - BRAKE CABLE | 16 - NUT |
| 6 - REAR AXLE | 17 - PROPELLER SHAFT |
| 7 - ABL LEVER | 18 - BOLT |
| 8 - NUT | 19 - ABS SENSOR |
| 9 - SHOCK ABSORBER | 20 - SENSOR BUSHING |
| 10 - BOLT | 21 - VENT LINE |
| 11 - WEAR INDICATOR CABLE | |



810bdbfa

Fig. 3 DUAL REAR WHEEL AXLE

- | | |
|-------------------------------|----------------------|
| 1 - SPRING | 12 - BRAKE HOSE |
| 2 - SPRING SHACKLE | 13 - LUG NUT |
| 3 - PLATE | 14 - NUT |
| 4 - COLLAR NUT | 15 - WASHER |
| 5 - BRAKE CABLE | 16 - BOLT |
| 6 - REAR AXLE | 17 - SHOCK ABSORBER |
| 7 - ALB LEVER | 18 - PROPELLER SHAFT |
| 8 - NUT | 19 - BOLT |
| 9 - BOLT | 20 - ABS SENSOR |
| 10 - WEAR INDICATOR CABLE | 21 - SENSOR BUSHING |
| 11 - WEAR INDICATOR CONNECTOR | |

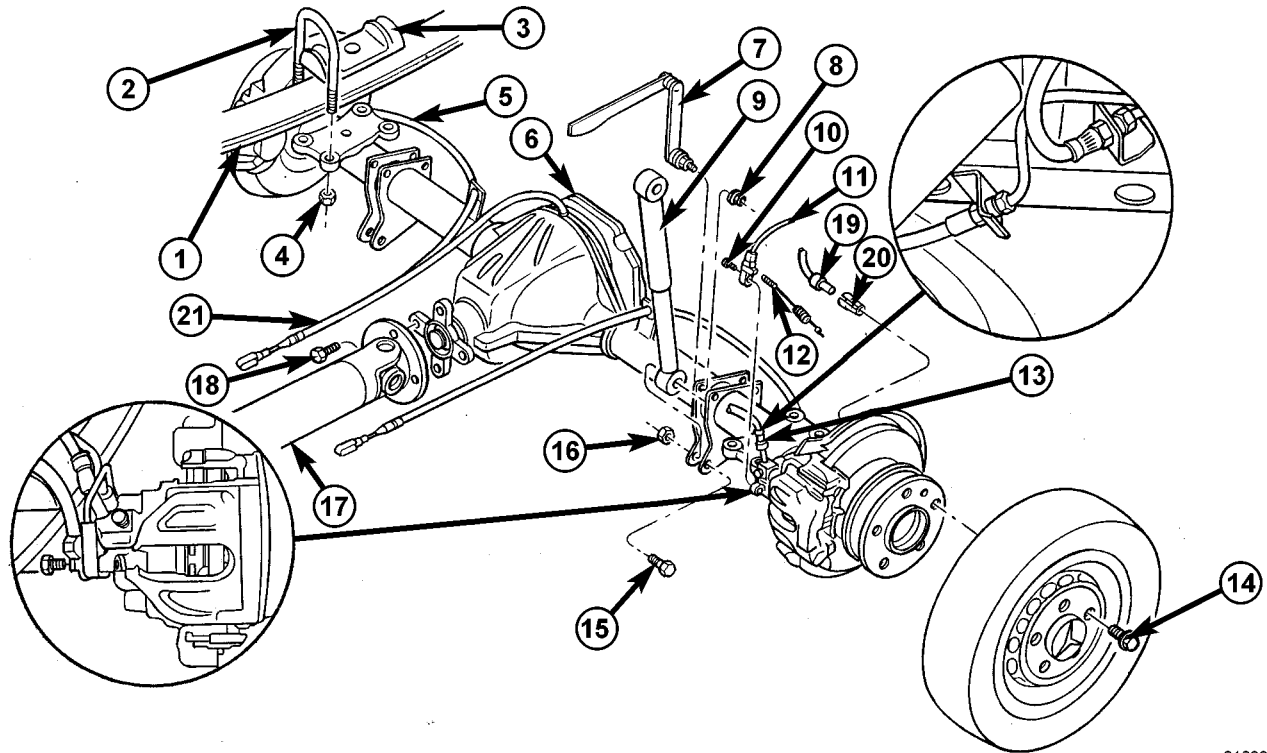
- (1) Raise and support the vehicle.
- (2) Position a suitable lifting device under the axle and secure axle to device.
- (3) Remove wheels and tires.
- (4) Unplug wear indicator cable (Fig. 2) and (Fig. 3).
- (5) Detach cable connector for brake pad wear indicator.
- (6) Remove ABS sensor and clamp bushing from mounting bore.

NOTE: The right-hand ABS sensor cable is labeled at the factory with a white tag.

- (7) Remove cable ties from the park brake cables. Release connection cable of brake pad wear indicator and ABS sensor cable up to the relay unit of the parking brake.
- (8) Remove brake cables.
- (9) Remove hand brake cable at relay unit.

- (10) Remove bracket for brake cables at rear axle tube.
- (11) Remove stabilizer bar from axle brackets.
- (12) Remove shock absorber bolts from rear axle.
- (13) Remove ALB lever from rear axle bracket.
- (14) Pull vent line of rear axle out of frame.
- (15) Remove propeller shaft.
- (16) Remove brake calipers.
- (17) Remove U-brackets and plates (Fig. 2) and (Fig. 3).
- (18) Remove axle from the vehicle.

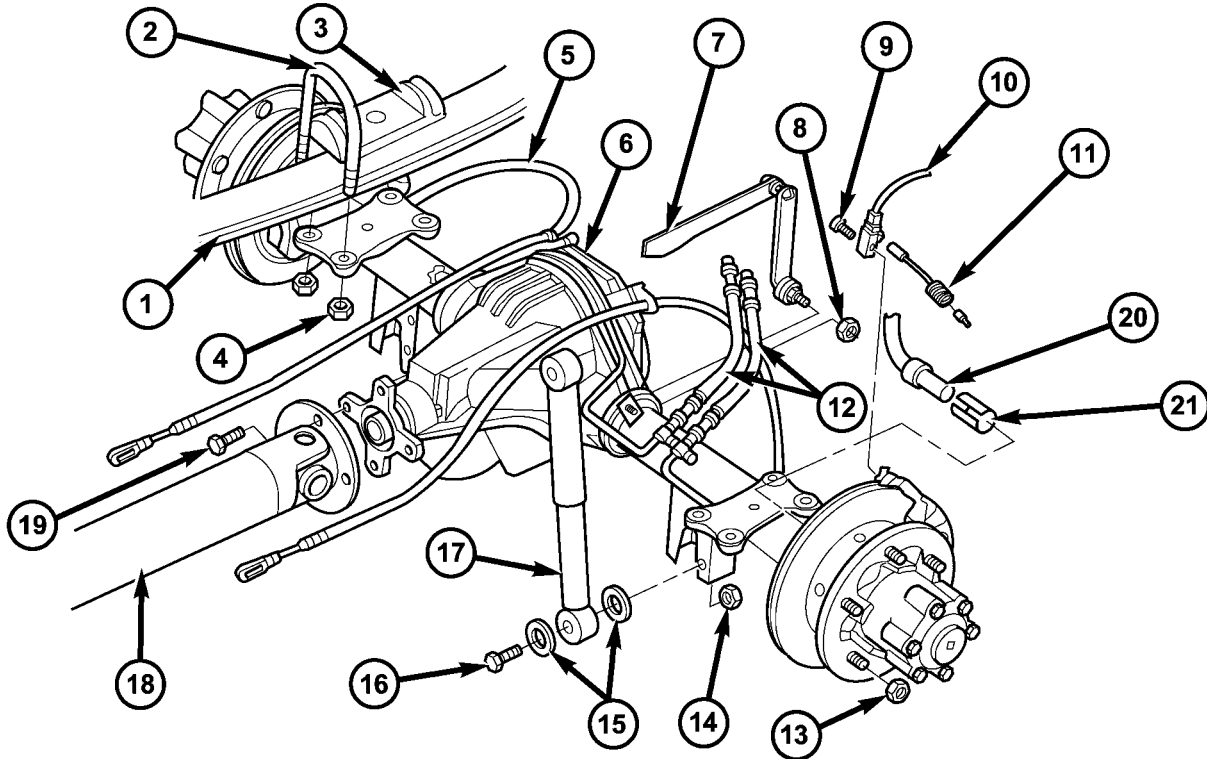
INSTALLATION



810982e7

Fig. 4 SINGLE REAR WHEEL AXLE

- | | |
|---------------------------|-------------------------------|
| 1 - REAR SPRING | 12 - WEAR INDICATOR CONNECTOR |
| 2 - U-BRACKET | 13 - BRAKE HOSE |
| 3 - PLATE | 14 - WHEEL BOLT |
| 4 - NUT | 15 - BOLT |
| 5 - BRAKE CABLE | 16 - NUT |
| 6 - REAR AXLE | 17 - PROPELLER SHAFT |
| 7 - ABL LEVER | 18 - BOLT |
| 8 - NUT | 19 - ABS SENSOR |
| 9 - SHOCK ABSORBER | 20 - SENSOR BUSHING |
| 10 - BOLT | 21 - VENT LINE |
| 11 - WEAR INDICATOR CABLE | |



810bdbfa

Fig. 5 DUAL REAR WHEEL AXLE

- | | |
|-------------------------------|----------------------|
| 1 - SPRING | 12 - BRAKE HOSE |
| 2 - SPRING SHACKLE | 13 - LUG NUT |
| 3 - PLATE | 14 - NUT |
| 4 - COLLAR NUT | 15 - WASHER |
| 5 - BRAKE CABLE | 16 - BOLT |
| 6 - REAR AXLE | 17 - SHOCK ABSORBER |
| 7 - ALB LEVER | 18 - PROPELLER SHAFT |
| 8 - NUT | 19 - BOLT |
| 9 - BOLT | 20 - ABS SENSOR |
| 10 - WEAR INDICATOR CABLE | 21 - SENSOR BUSHING |
| 11 - WEAR INDICATOR CONNECTOR | |

- (1) Raise axle into position.
- (2) Install plates and U-brackets (Fig. 4) and (Fig. 5) with **new** nuts. Tighten nuts to 170 N·m (125 ft. lbs.).
- (3) Install propeller shaft and tighten bolts to 70 N·m (52 ft. lbs.).

NOTE: On installation of the propeller shaft, joint arrows must be flush and must point towards the frame floor. Tighten the propeller shaft in this position.

- (4) Install ALB lever to axle bracket and tighten **new** nut 34 N·m (46 ft. lbs.).
- (5) Install shock absorbers to rear axle and tighten bolts to:
 - M12 x 1.5 Bolt - 70 N·m (52 ft. lbs.)
 - M14 x 1.5 Bolt - 110 N·m (81 ft. lbs.)
- (6) Install stabilizer bar to axle and tighten bolts to:
 - SRW Axle - 25 N·m (18 ft. lbs.)

- DRW Axle - 70 N·m (52 ft. lbs.)
- (7) Install calipers with adapters and lines.
 - (8) Install brake hoses and hold-down clips.
 - (9) Install and adjust park brake cables.
 - (10) Install connection cable of brake pad wear indicator and ABS sensor cable up to the relay unit of the parking brake.
 - (11) Install cable ties to the park brake cables.
 - (12) Install ABS sensor and clamp bushing to mounting bore.

NOTE: The right-hand ABS sensor cable is labeled at the factory with a white tag.

- (13) Attach connector cable for brake pad wear indicator.
- (14) Plug in cable of brake pad wear indicator.
- (15) Install the wheels and tires.
- (16) Fill axle with appropriate lubricant.
- (17) Remove lifting device from under the axle.
- (18) Remove support and lower vehicle.

SPECIFICATIONS

AXLE SPECIFICATIONS

DESCRIPTION	SPECIFICATION
Axle Ratio	3.73, 4.11
Ring Gear Diameter	216 mm (8.5 in.)
Ring Gear Backlash	0.10-0.15 mm (0.004-0.006 in.)
Pinion Torque to Rotate	2.5-3.0 N·m (22-26 in. lbs.)
Differential Bearing Pre-load	0.16 mm (0.006 in.)
SRW Differential Torque to Rotate	20-40 N·m (15-30 ft. lbs.)

TORQUE SPECIFICATIONS

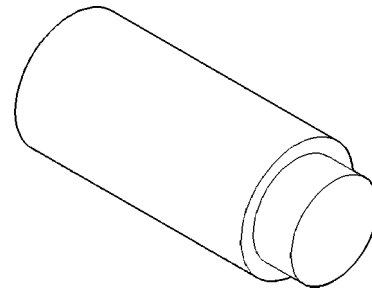
DESCRIPTION	N·m	Ft. Lbs.	In. Lbs.
Drain Plug	100	74	-
Fill Plug	100	74	-
Differential Cover Bolts	65	48	-
Ring Gear Bolts	180	133	-
Differential Bearing Cap Bolts	70	52	-
Differential Case Bolts	45	33	-
Axle Bearing Cap Bolts	72	53	-
Axle Grooved Nut	500	369	-
Axle Shaft Hub Nut	65	48	-
*Hub Inner Nut	300	221	-
Hub Outer Nut	250	184	-

*Follow service procedure for torque sequence.

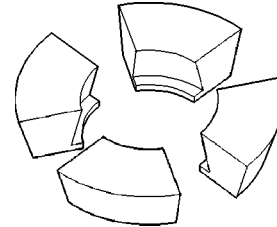
SPECIAL TOOLS

SPECIAL TOOL CROSS-REFERENCE CHART

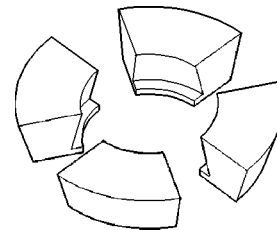
MB TOOL #	MILLER TOOL #	DESCRIPTION
N/A	C-293-PA	PULLER
N/A	C-293-37	ADAPTERS
N/A	C-293-47	ADAPTERS
N/A	C-293-3	PLUG
N/A	C-3281	WRENCH
N/A	C-4310	INSTALLER
N/A	D-103	REMOVER
N/A	MB-998805	INSTALLER
N/A	8617	INSTALLER
N/A	8992	FLANGE PULLER
N/A	9084	REMOVER
N/A	9275	INSTALLER
460 589 15 15 00	9276	INSTALLER
741 589 00 35 00	9277	PLATE
741 589 01 15 00	9278	INSTALLER
460 589 01 07 00	9279	WRENCH
309 589 01 07 00	9290	WRENCH
389 589 02 15 00	9291	INSTALLER
N/A	9317	ADAPTERS
N/A	9523	INSTALLER
N/A	9548	INSTALLER
460 589 11 15 00	9744	TORQUE TOOL



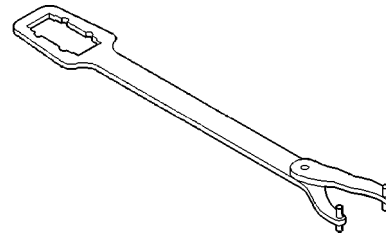
ADAPTER PLUG C-293-3



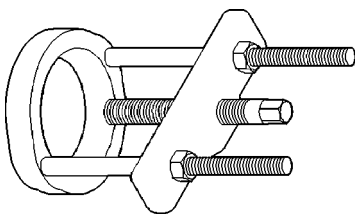
ADAPTERS C-293-37



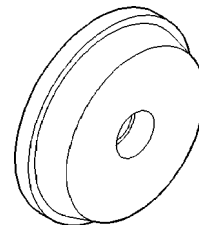
ADAPTERS C-293-47



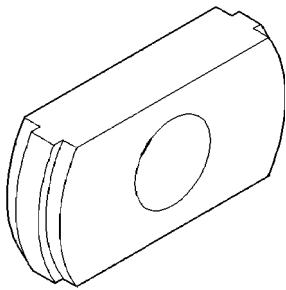
HOLDER C-3281



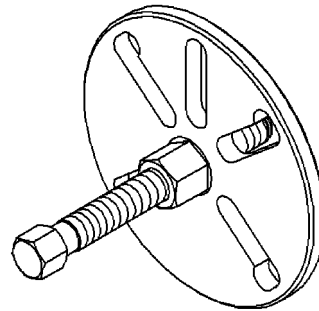
PULLER/PRESS C-293-PA



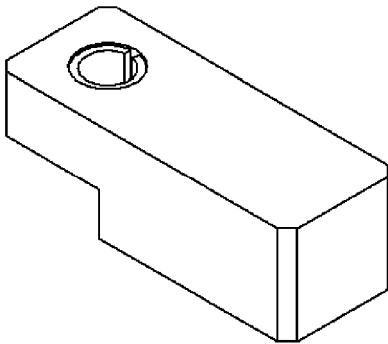
INSTALLER C-4310



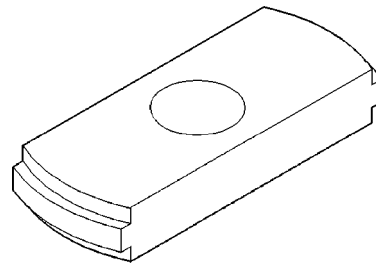
REMOVER D-103



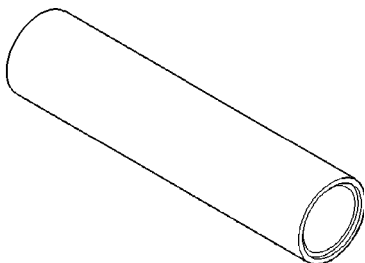
FLANGE PULLER 8992



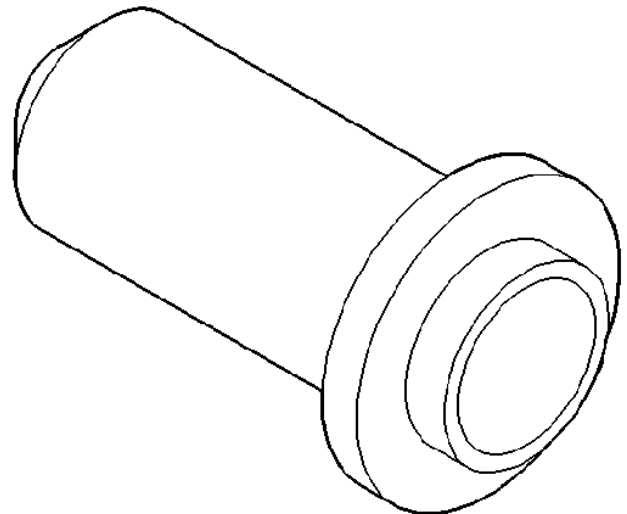
SCOOTER BLOCK D-115-2A



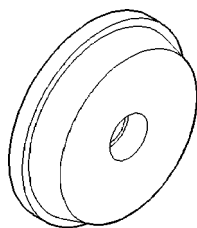
REMOVER 9084



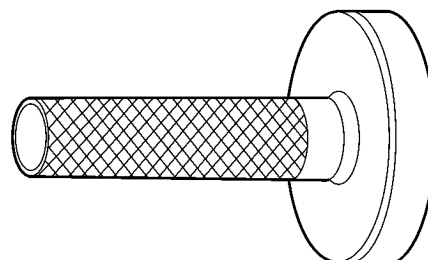
INSTALLER 6448A



INSTALLER 9275



INSTALLER 8617



INSTALLER 9276

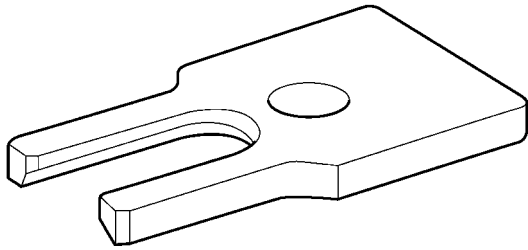
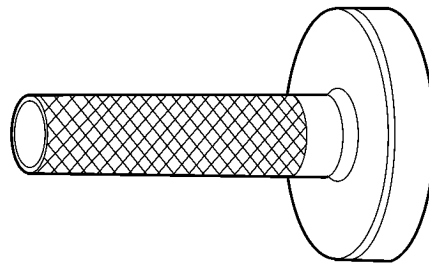


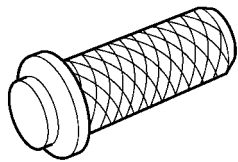
PLATE 9277

810abab6



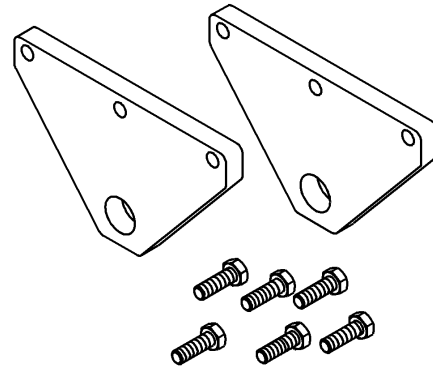
INSTALLER 9291

811187f1

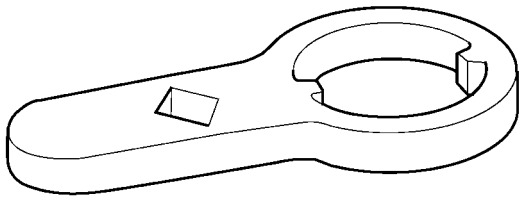


INSTALLER 9278

810abab2

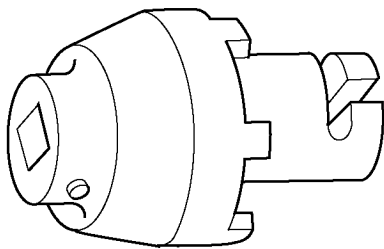


SPREADER ADAPTERS 9317



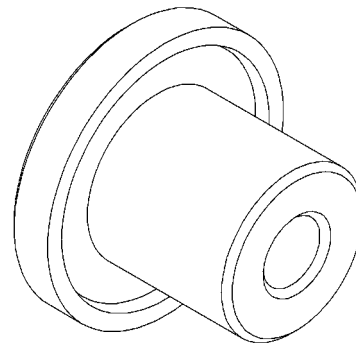
WRENCH 9279

810abac2

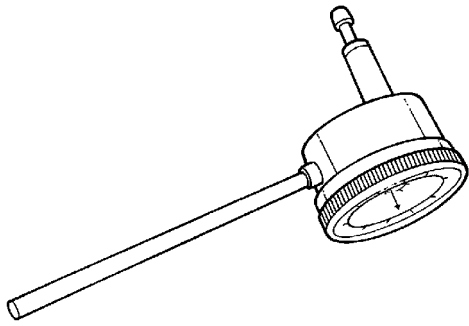


WRENCH 9290

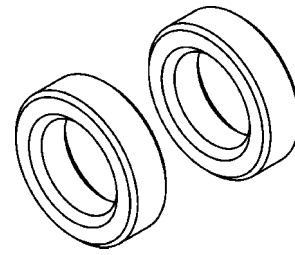
811187e2



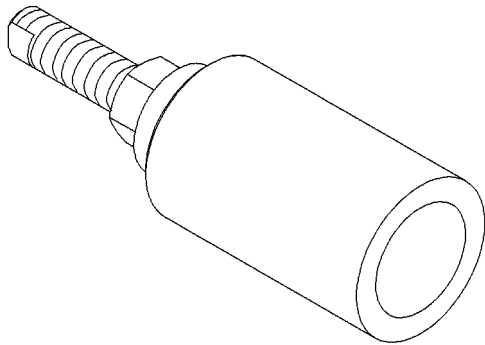
INSTALLER 9523



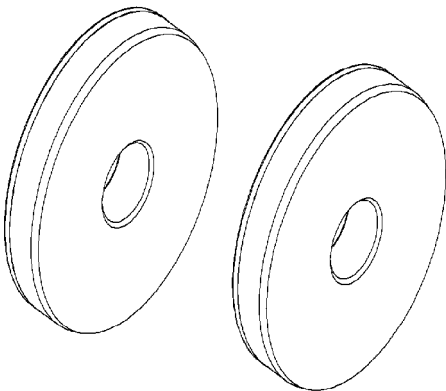
DIAL INDICATOR 9524



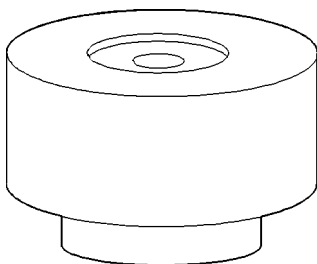
DUMMY BEARING 9573



INSTALLER 9548



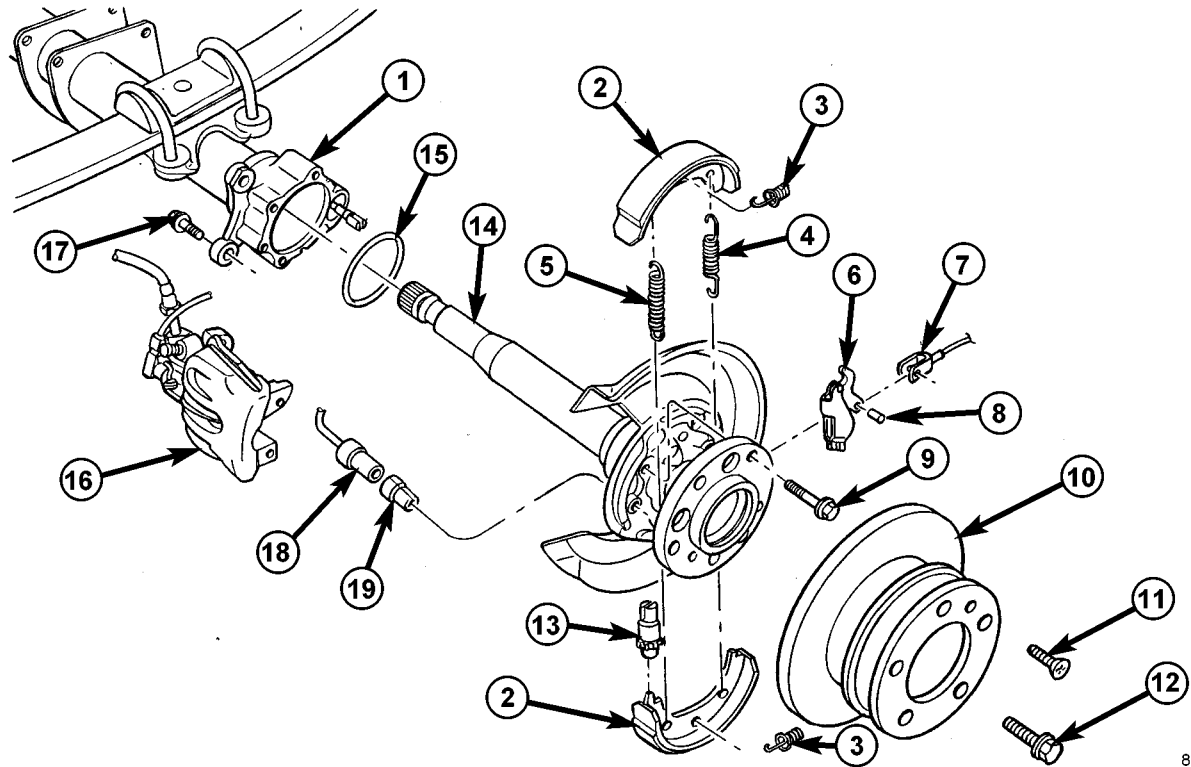
ARBOR DISC 9571



PINION BLOCK 9572

SHAFT - AXLE SINGLE REAR WHEEL

REMOVAL-SINGLE REAR WHEEL



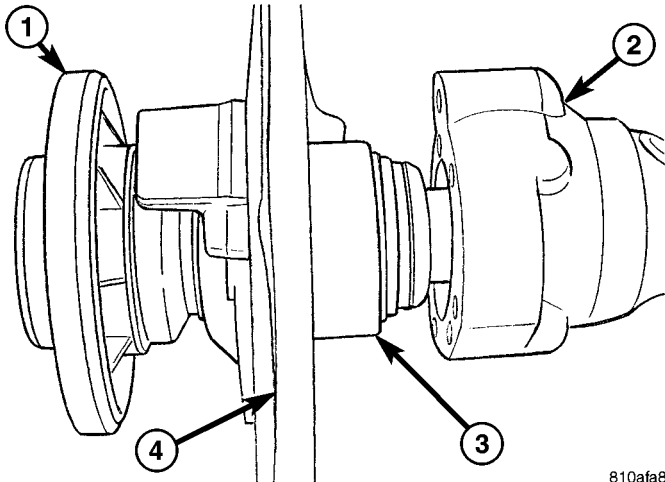
81098a38

Fig. 6 AXLE SHAFT

- | | |
|----------------------|----------------------|
| 1 - REAR AXLE | 11 - BOLT |
| 2 - BRAKE SHOE | 12 - WHEEL BOLT |
| 3 - PRESSURE SPRING | 13 - BRAKE ADJUSTER |
| 4 - RETURN SPRING | 14 - REAR AXLE SHAFT |
| 5 - RETURN SPRING | 15 - GASKET |
| 6 - CABLE LOCK | 16 - BRAKE CALIPER |
| 7 - PARK BRAKE CABLE | 17 - BOLT |
| 8 - LOCKING PIN | 18 - ABS SENSOR |
| 9 - BOLT | 19 - SENSOR BUSHING |
| 10 - BRAKE DISC | |

- (1) Remove wheels.
- (2) Detach front brake cable.
- (3) Pull ABS sensor (18) together with clamp bushing (19) out of bearing cap (Fig. 6).
- (4) Remove brake caliper (16) and disk (10) at rear axle (14). Attach brake caliper with lines connected in wheel house.
- (5) Remove brake shoes (2) of parking brake.
- (6) Remove brake control cable lock.
- (7) Remove bearing cap bolts (17) and pull axle shaft out of axle tube (1) (Fig. 6).
- (8) Remove seal/gasket.

INSTALLATION - SINGLE REAR WHEEL

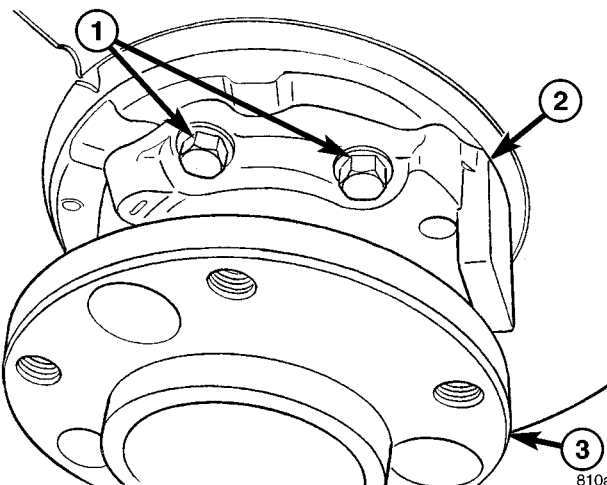


810afa8c

Fig. 7 AXLE SHAFT AND TUBE

- 1 - AXLE SHAFT
- 2 - AXLE TUBE
- 3 - AXLE BEARINGS
- 4 - DUST SHIELD

- (1) Install sealing ring.
- (2) Install axle shaft (1) in the axle tube (2) (Fig. 7).



810afa93

Fig. 8 BEARING CAP BOLTS

- 1 - BEARING CAP BOLTS
- 2 - BEARING CAP
- 3 - AXLE SHAFT FLANGE

- (3) Install **new** bearing cap (2) bolts (1) and tighten to 72 N·m (53 ft. lbs.) (Fig. 8).

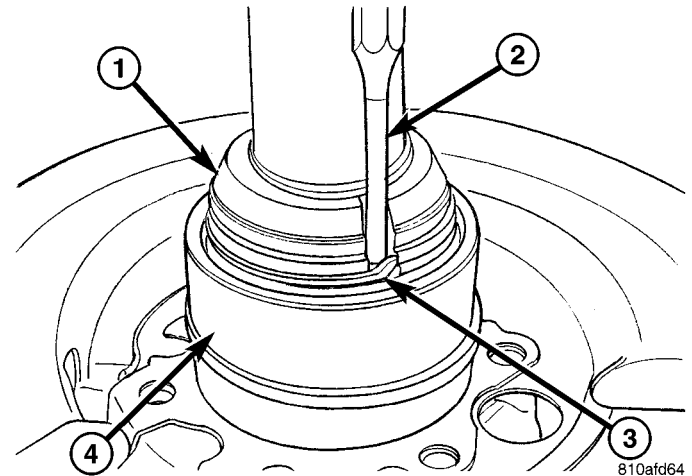
NOTE: Tighten bolts diagonally across.

- (4) Install brake control cable lock.
- (5) Install parking brake shoes.
- (6) Install brake disk and calipers.
- (7) Coat clamping bush with acid-free grease. Insert ABS sensor with clamping bush fully into the mounting hole.
- (8) Install front brake cable.

- (9) Operate brake pedal several times until brake pads contact brake discs (brake pressure built up).
- (10) Install wheels.

BEARING / SEAL - AXLE

REMOVAL

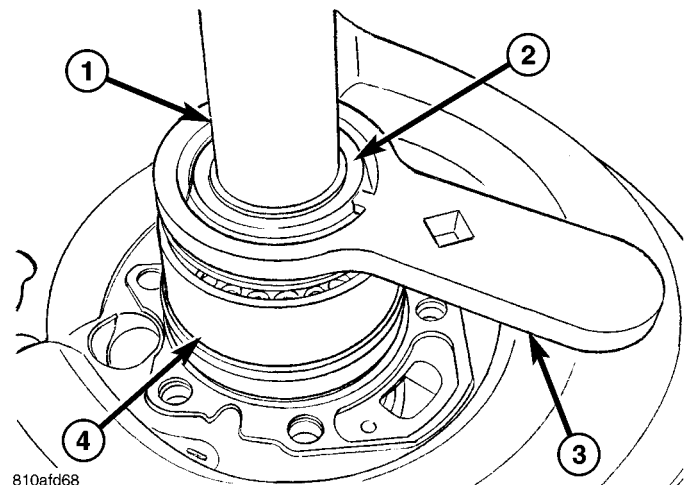


810afd64

Fig. 9 LOCKING RING

- 1 - BEARING NUT
- 2 - PUNCH
- 3 - LOCKING RING
- 4 - BEARING

- (1) Remove rear axle shaft.
- (2) With a punch (2) and hammer straighten bearing (4) nut (1) locking ring (3) (Fig. 9).



810afd68

Fig. 10 BEARING NUT WRENCH

- 1 - AXLE SHAFT
- 2 - BEARING NUT
- 3 - WRENCH
- 4 - BEARING

- (3) Install two wheel mounting bolts into the axle shaft (1) and clamp in vise. Loosen bearing (4) nut (2) with Wrench 9279 (3) (Fig. 10).

NOTE: Bearing nut with groove on left rear axle shaft has a left-hand thread. Bearing nut without groove on right rear axle shaft has a right-hand thread.

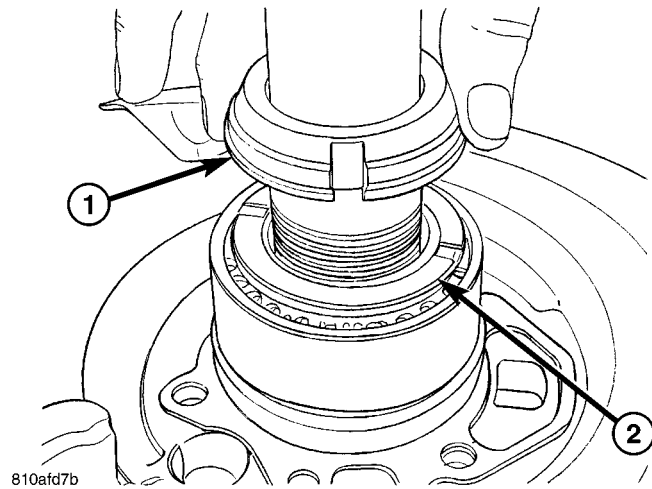


Fig. 11 BEARING NUT AND LOCKING RING

- 1 - BEARING NUT
- 2 - LOCKING RING

(4) Remove bearing nut (1) and locking ring (2) from axle shaft (Fig. 11).

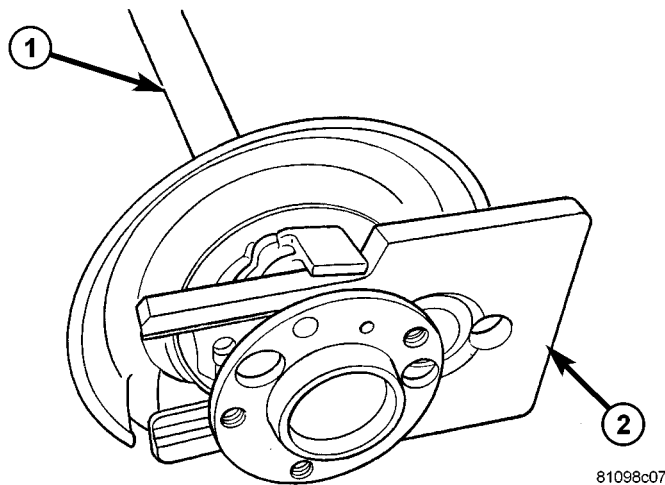


Fig. 12 AXLE BEARING REMOVAL TOOL

- 1 - AXLE SHAFT
- 2 - PLATE

(5) Push Plate 9277 (2) between bearing cover and axle shaft (1) (Fig. 12).

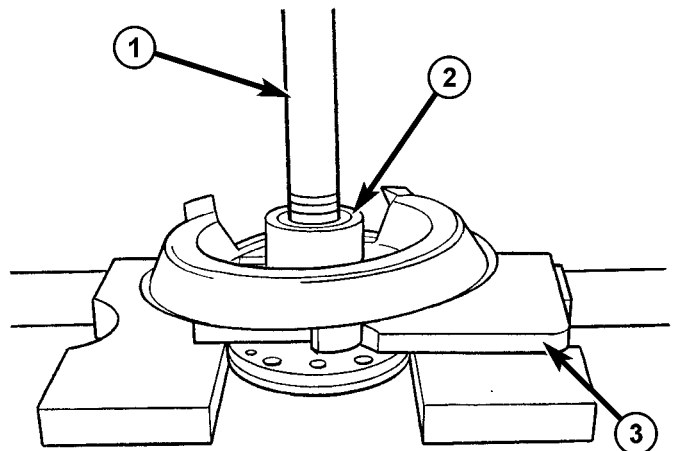


Fig. 13 PRESSING BEARING

- 1 - AXLE SHAFT
- 2 - BEARING
- 3 - PLATE

(6) Place axle shaft (1) with plate (3) in a press.
 (7) Press axle shaft (1) through the bearing cover and tapered roller bearings (2) (Fig. 13).

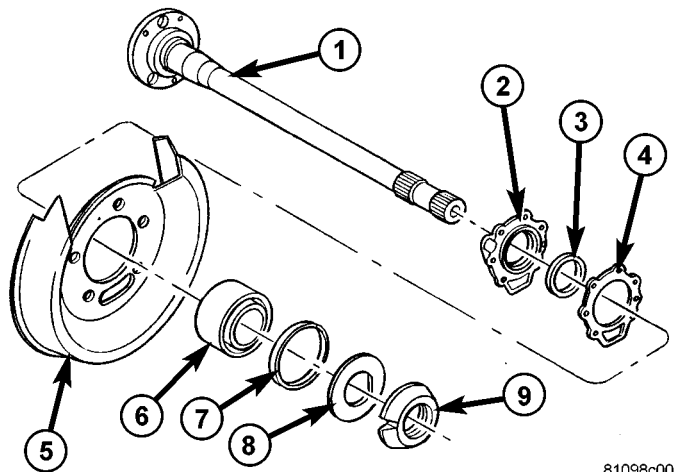


Fig. 14 AXLE SHAFT ASSEMBLY

- 1 - AXLE SHAFT
- 2 - BEARING COVER
- 3 - RADIAL SHAFT SEAL
- 4 - GASKET
- 5 - DUST SHIELD
- 6 - BEARING
- 7 - SEALING RING
- 8 - LOCKING RING
- 9 - BEARING NUT

(8) Remove tapered roller bearings (6), sealing ring (7), dust shield (5) and bearing cover (2) from axle shaft (1) (Fig. 14).

(9) Remove shaft seal (3) from bearing cover (2) with a hammer and drift.

INSTALLATION

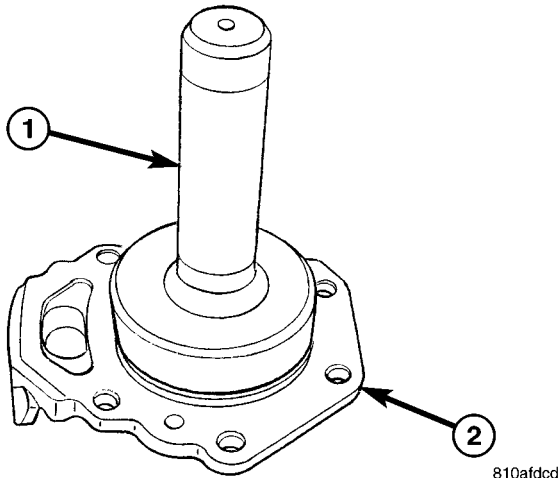


Fig. 15 SEAL INSTALLER

- 1 - INSTALLER
2 - BEARING COVER

- (1) Clean sealing surface of bearing cap.
(2) Install axle shaft seal into bearing cover (1) with Installer 9278 (2) (Fig. 15).

NOTE: Install flush to a max. 3 mm (0.12 in.) deep inside the bearing cover.

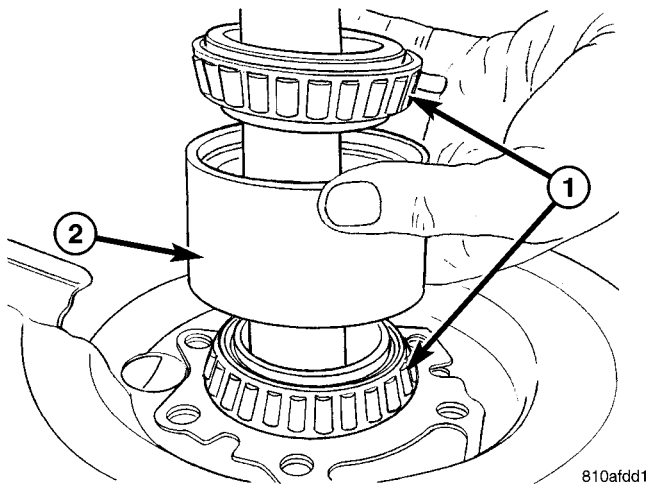


Fig. 16 BEARINGS AND RACE

- 1 - BEARINGS
2 - RACE

- (3) Check roller bearing (1), and replace if necessary.

NOTE: Thoroughly grease roller bearings prior to installation with Mopar High Temp Light Bearing Grease.

- (4) Install bearing cover with axle shaft seal, **new** gasket and dust shield on the axle shaft.

- (5) Install tapered roller bearings (1) and race (2) on the axle shaft (Fig. 16).

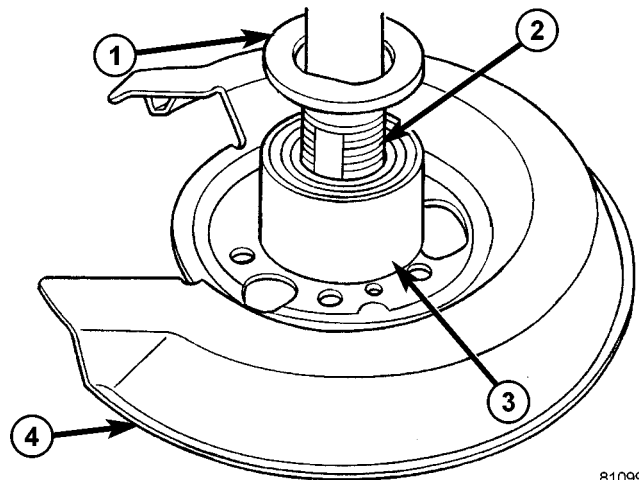


Fig. 17 BEARING AND SHAFT

- 1 - LOCKING RING
2 - AXLE SHAFT
3 - BEARING
4 - DUST SHIELD

- (6) Install **new** locking ring (1) on axle shaft (2).

NOTE: The flat side of the locking ring must point towards the nut (Fig. 17). The locking ring is fitted to ensure the pressing is done over the inner bearing race only. The flat on the locking ring must be aligned with the flat on the axle shaft otherwise the axle shaft will be damaged.

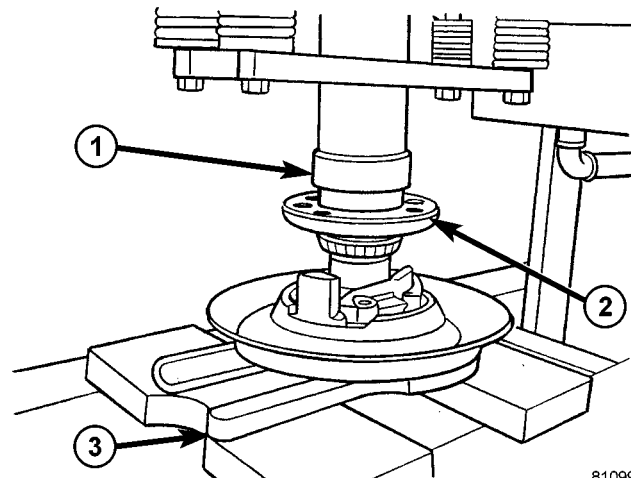


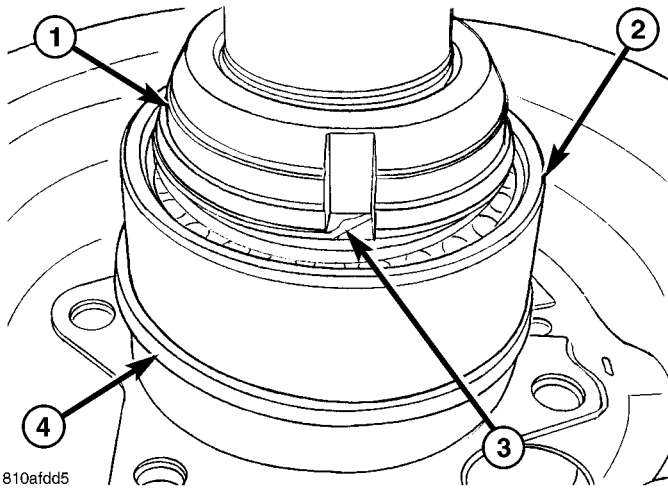
Fig. 18 PRESSING AXLE SHAFT

- 1 - PRESS
2 - AXLE SHAFT
3 - PLATE

- (7) Place axle shaft (2) through the hole in Plate 9277 (3) and position the assembly in a press (1) (Fig. 18).

- (8) Press tapered roller bearing onto rear axle shaft as far as the stop.

CAUTION: In order to avoid damaging the bearing, the outer race must be turned while pressing on.



810afdd5

Fig. 19 LOCKING RING

- 1 - BEARING NUT
- 2 - BEARING
- 3 - LOCKING RING
- 4 - SEALING RING

(9) Screw on bearing nut (1) and tighten nut with Wrench 9279 to 500 N·m (369 ft. lbs.).

NOTE: Bearing nut with groove on left rear axle shaft has a left-hand thread. Bearing nut without groove on right rear axle shaft has a right-hand thread.

(10) Bend locking ring (3) with a hammer and punch at both grooves in the bearing nut (Fig. 19).

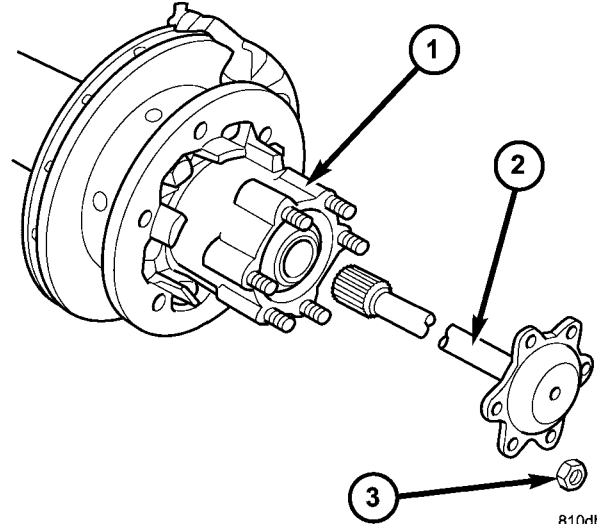
NOTE: The grooved nut must be locked in both directions of rotation.

(11) Install sealing ring (4) onto roller bearing race (Fig. 19).

(12) Install rear axle shaft.

SHAFT - AXLE DUAL REAR WHEELS

REMOVAL - DUAL REAR WHEEL



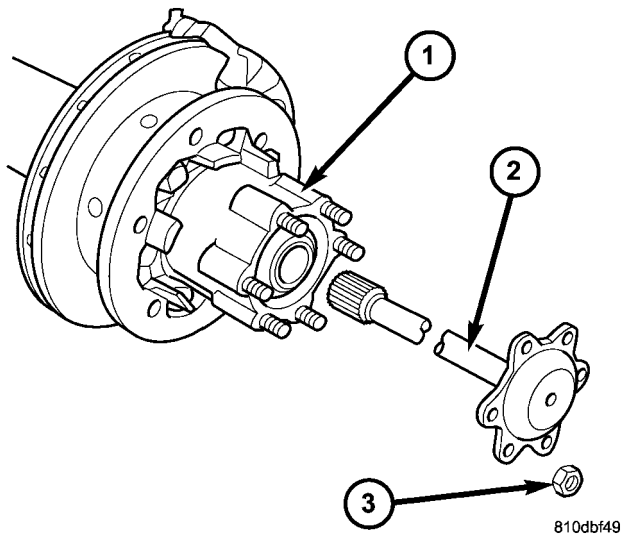
810dbf49

Fig. 20 AXLE SHAFT

- 1 - WHEEL HUB
- 2 - AXLE SHAFT
- 3 - AXLE NUT

- (1) Remove wheels
- (2) Remove axle shaft (2) hub (1) nuts (3) (Fig. 20).
- (3) Pull out axle shaft.

INSTALLATION - DUAL REAR WHEEL

**Fig. 21 AXLE SHAFT**

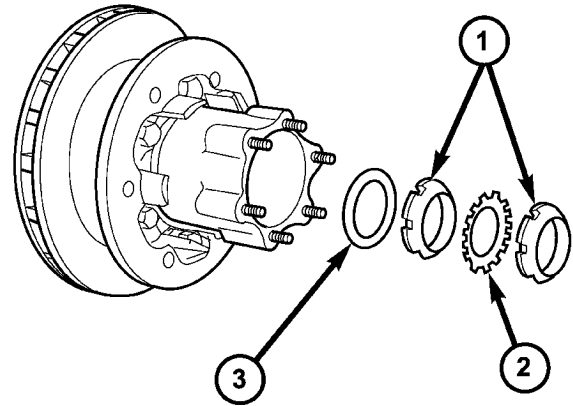
- 1 - WHEEL HUB
- 2 - AXLE SHAFT
- 3 - AXLE NUT

(1) Coat axle shaft flange with Mopar Metal Assembly Paste.

(2) Slide axle shaft (2) into axle tube.

(3) Install axle shaft hub (1) nuts (3) and tighten to N·m 65 (48 ft. lbs.) (Fig. 21).

(4) Install wheels.

BEARING / SEAL - AXLE HUB
REMOVAL**Fig. 22 HUB NUTS**

- 1 - NUTS
- 2 - LOCKING PLATE
- 3 - THRUST WASHER

(1) Remove brake caliper with support.

(2) Remove axle shaft.

(3) Back-off parking brakes.

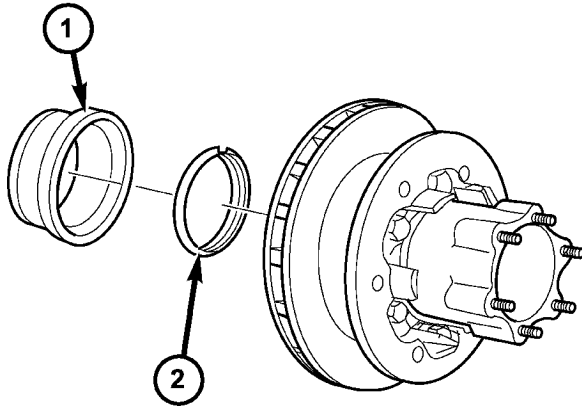
(4) Remove outer hub nut (1) with Wrench 9290 (Fig. 22).

(5) Remove locking plate (2), inner hub nut (1) and thrust washer (3) (Fig. 22).

CAUTION: Thrust washer is designed for left or right side and are not interchangeable.

(6) Pull hub off axle tube.

INSTALLATION

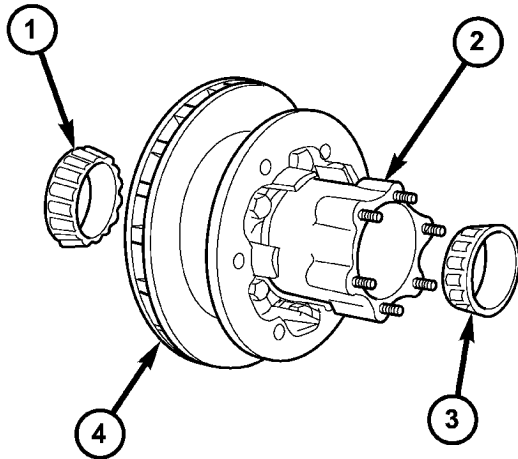


810de168

Fig. 23 SENSOR RING & OIL SEAL

- 1 - ABS SENSOR RING
- 2 - SEAL

(7) Pry out ABS sensor ring (1) and seal (2) from hub (Fig. 23).



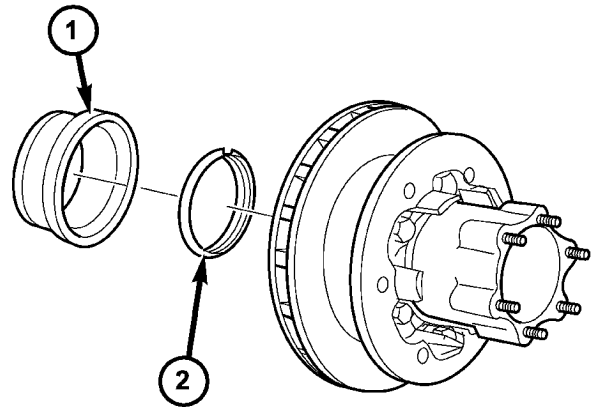
810ddfa6

Fig. 24 AXLE HUB BEARINGS

- 1 - REAR BEARING
- 2 - HUB
- 3 - FRONT BEARING
- 4 - ROTOR

(8) Remove hub bearings (1) (3) from hub (2) (Fig. 24).

(9) Remove inner and outer bearing cups from hub with a hammer and drift.



810de168

Fig. 25 SENSOR RING & OIL SEAL

- 1 - ABS SENSOR RING
- 2 - SEAL

(1) Install hub bearing cups with Installer 9291 and a hammer.

(2) Clean and thoroughly grease bearings with Multi-purpose grease.

(3) Install inner wheel bearing.

(4) Coat outer circumference of **new** seal (2) with Hylomar SQ 32 M sealant.

CAUTION: Do not coat seals rubberized sealing surfaces with sealant.

(5) Install seal (2) into hub with an appropriate installer.

NOTE: Seal ring should be flush with wheel hub or max. 3mm (0.12 in.) deep.

(6) Coat contact surface of ABS sensor ring (1) with Hylomar SQ 32 M sealant (Fig. 25).

(7) Drive ABS sensor ring (1) in as far as the stop with a plastic hammer (Fig. 25).

(8) Install hub on axle tube.

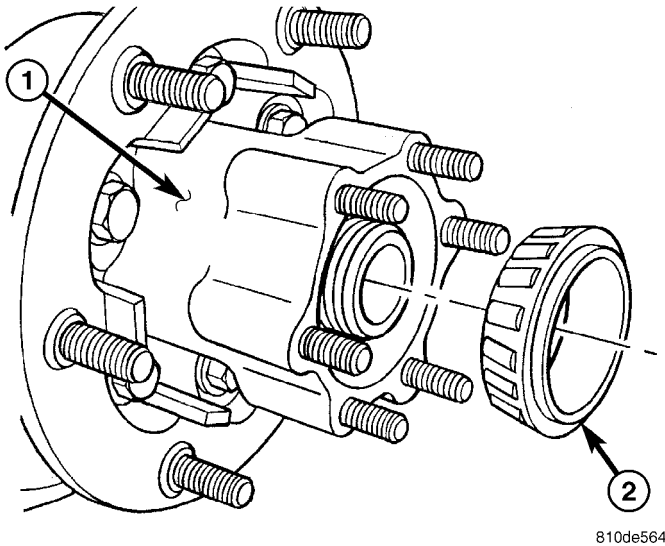


Fig. 26 OUTER HUB BEARING

1 - HUB
2 - BEARING

(9) Install outer hub (1) bearing (2) (Fig. 26).

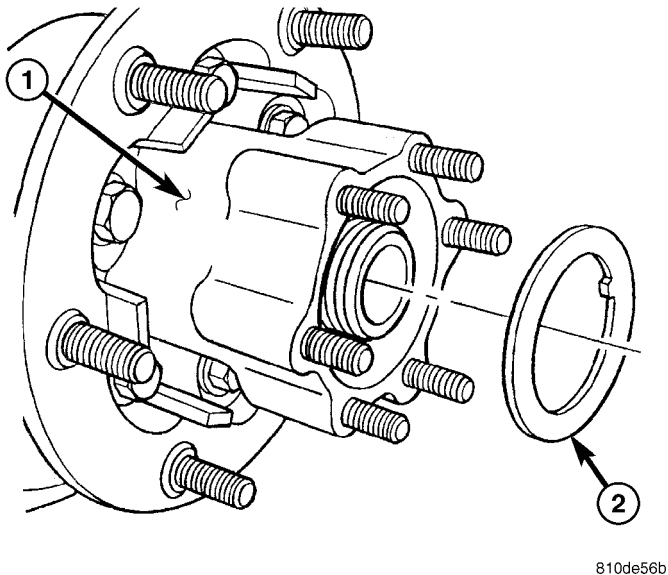


Fig. 27 THRUST WASHER

1 - HUB
2 - WASHER

(10) Install thrust washer (2) (Fig. 27).

CAUTION: Thrust washer is designed for left or right side and are not interchangeable.

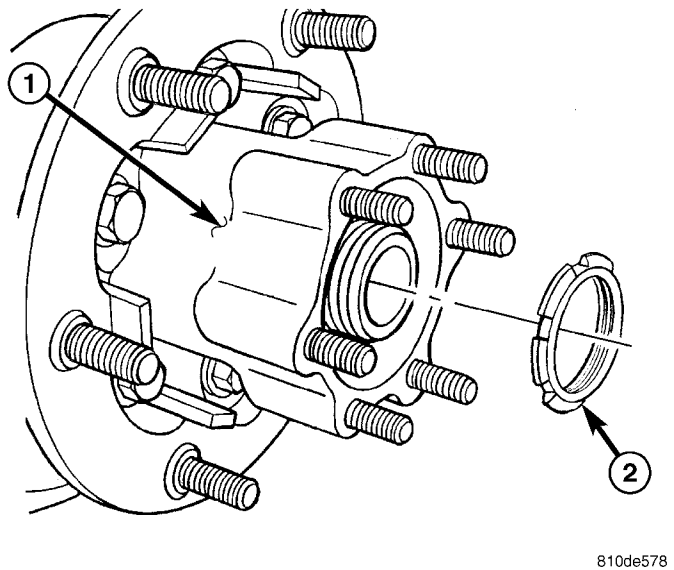


Fig. 28 INNER HUB NUT

1 - HUB
2 - NUT

(11) Install inner hub (1) nut (2) (Fig. 28).

(12) Tighten inner hub nut with Wrench 9290 to 300 N·m (221 ft. lbs.) while spinning the wheel hub constantly. Turn back inner nut and then tighten until it touches the thrust washer without play. Then tighten 1/8 turn.

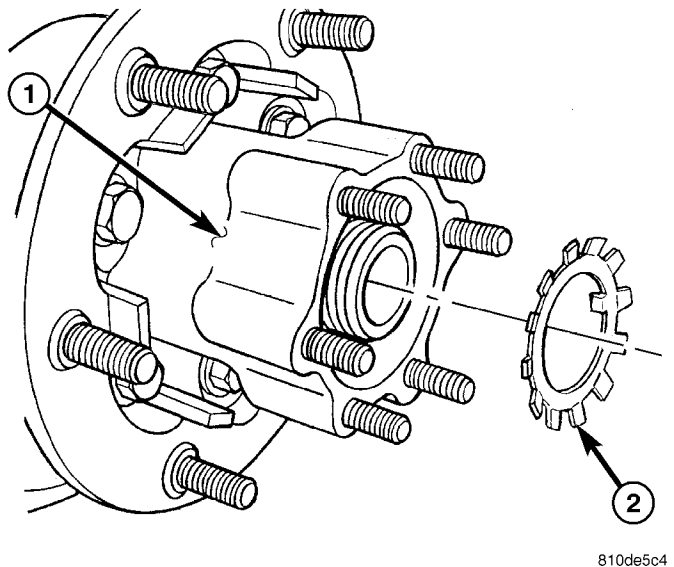


Fig. 29 LOCKING PLATE

1 - HUB
2 - PLATE

(13) Install locking plate (2) (Fig. 29).

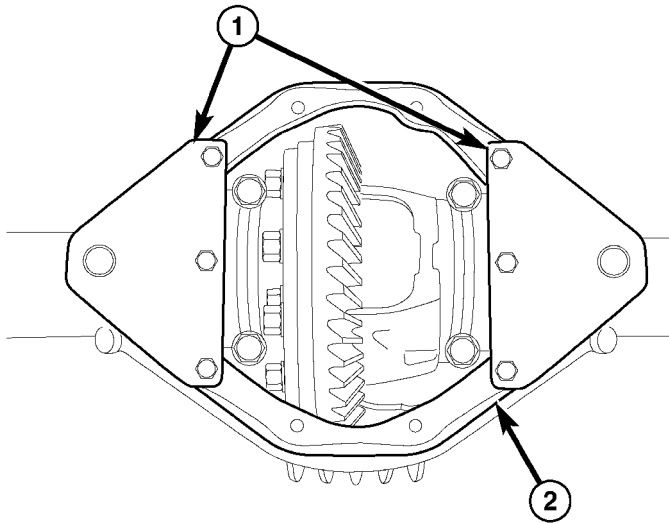
(14) Install outer hub nut and tighten with Wrench 9290 to 250 N·m (184 ft. lbs.).

(15) Install axle shaft.

(16) Install brake caliper and support.

(17) Adjust parking brakes.

DIFFERENTIAL REMOVAL

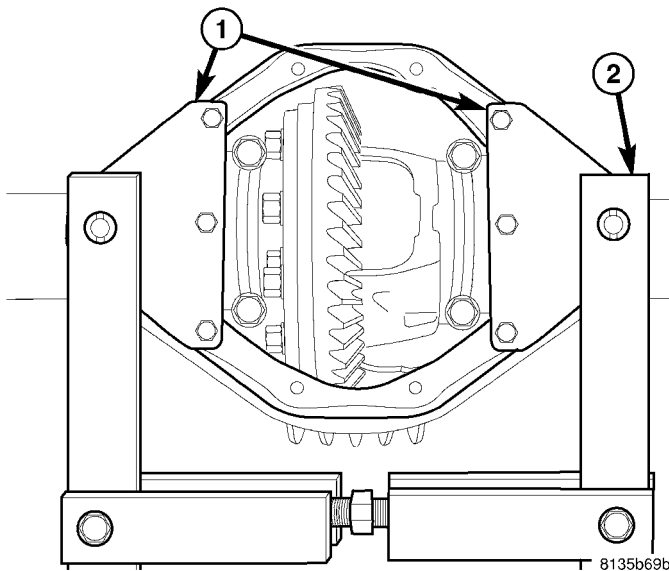


813506a4

Fig. 30 SPREADER ADAPTERS

- 1 - ADAPTERS
- 2 - DIFFERENTIAL HOUSING

- (1) Remove differential fill plug.
- (2) Remove differential cover and drain fluid.
- (3) Remove axle shafts.
- (4) Mark bearing caps and housing for installation reference.
- (5) Remove differential bearing cap bolts.
- (6) Mount Adapters 9317 (1) (Fig. 30) on differential housing (2).



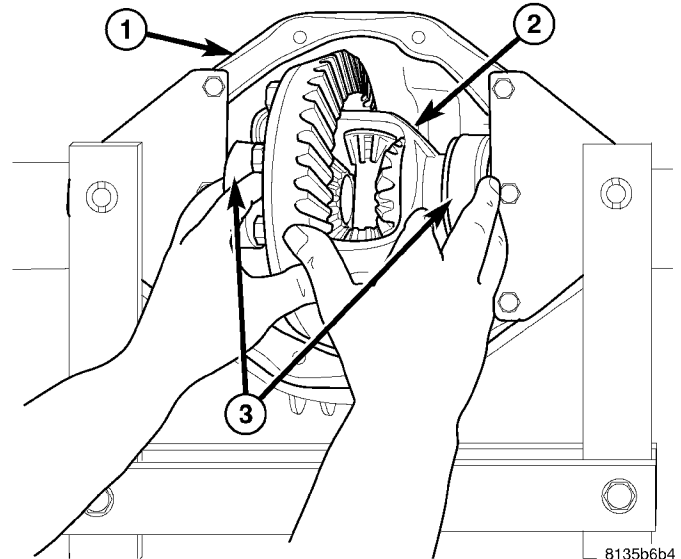
8135b69b

Fig. 31 SPREADER

- 1 - ADAPTERS
- 2 - SPREADER

- (7) Position Spreader W-129-B (2) on adapters (1) (Fig. 31). Mount dial indicator on housing to measure housing spread.

CAUTION: Never spread over 0.3 mm (0.011 in). If the housing is over-spread, it could be distorted or damaged.



8135b6b4

Fig. 32 DIFFERENTIAL REMOVAL

- 1 - HOUSING
- 2 - DIFFERENTIAL
- 3 - DIFFERENTIAL BEARINGS

- (8) Remove differential (2) with bearings, cups (3) and differential shims (Fig. 32).

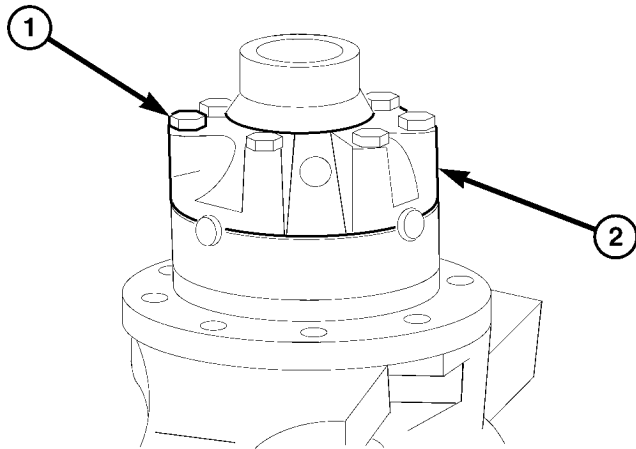
- (9) Mark bearings and shims for installation reference.

- (10) Clean the housing cavity with flushing oil, light engine oil or lint free cloth.

NOTE: Do not use water, steam, kerosene or gasoline for cleaning.

DISASSEMBLY

DISASSEMBLY - SINGLE REAR WHEEL

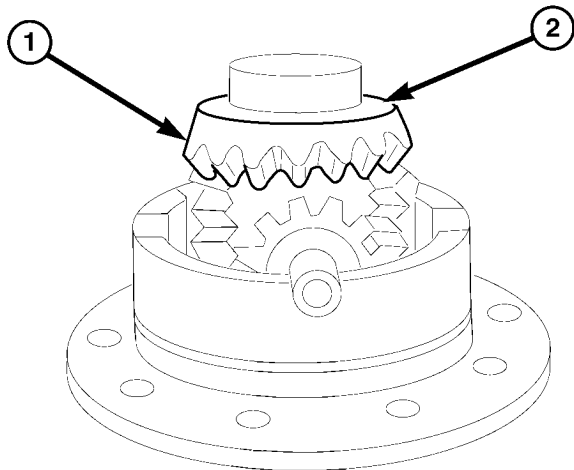


812d4688

Fig. 33 DIFFERENTIAL COVER

- 1 - BOLTS
- 2 - COVER

(1) Remove differential cover bolts and remove cover (Fig. 33).

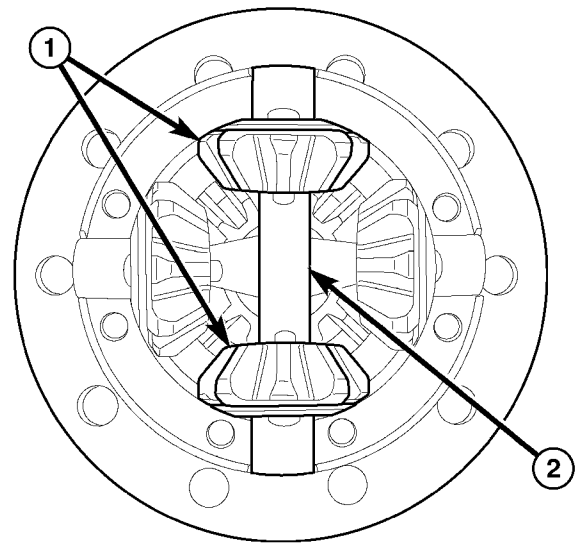


812d468c

Fig. 34 UPPER SIDE GEAR

- 1 - SIDE GEAR
- 2 - SHIM

(2) Remove upper differential side gear (1) and shim (2) (Fig. 34).

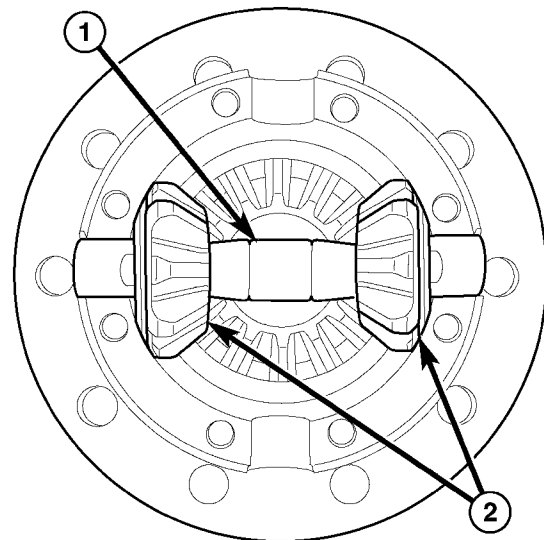


81372de5

Fig. 35 FIRST PINION GEARS

- 1 - PINION GEARS
- 2 - MATE SHAFT

(3) Remove first set of differential pinion gears (1), spherical washers and mate shaft (2) (Fig. 35).

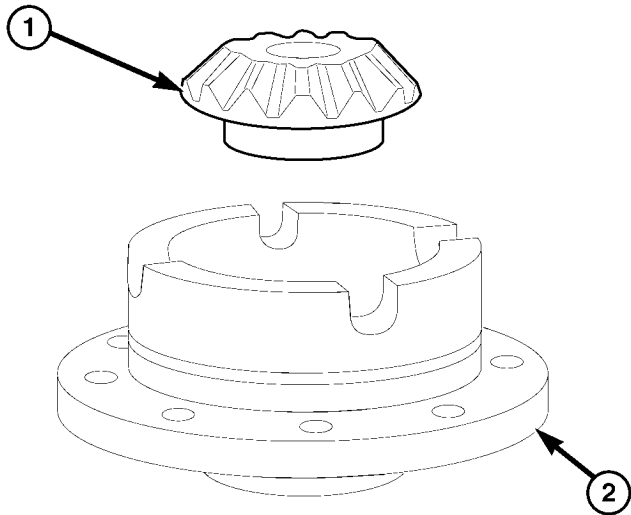


81372dec

Fig. 36 SECOND PINION GEAR SET

- 1 - MATE SHAFT
- 2 - PINION GEARS

(4) Remove second set of differential pinion gears (2), spherical washers and mate shaft (1) (Fig. 36).

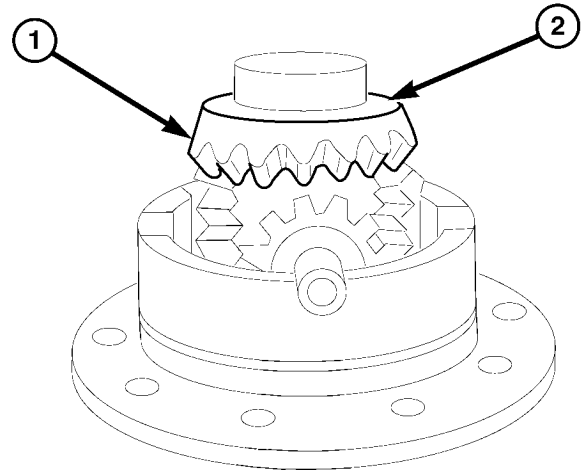


812d469b

Fig. 37 LOWER SIDE GEAR

- 1 - SIDE GEAR
- 2 - DIFFERENTIAL CASE

(5) Remove lower differential side gear (1) and shim (Fig. 37).



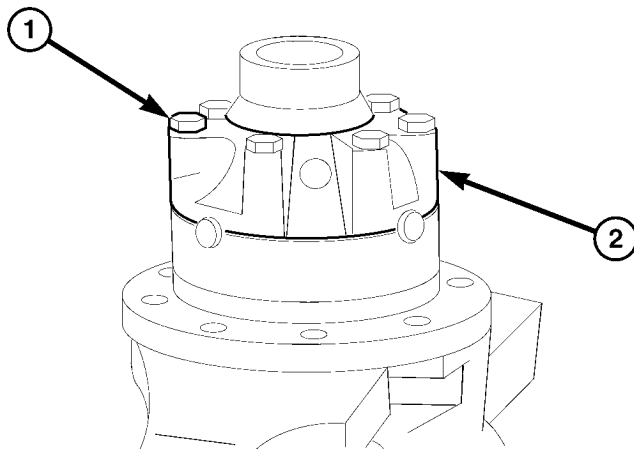
812d468c

Fig. 39 UPPER SIDE GEAR

- 1 - SIDE GEAR
- 2 - SHIM

(2) Remove upper differential side gear (1) and shim (2) (Fig. 39).

DISASSEMBLY - DUAL REAR WHEEL

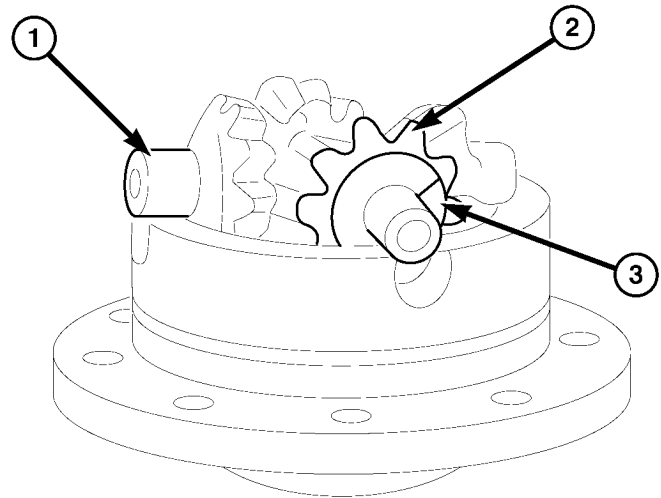


812d4688

Fig. 38 DIFFERENTIAL COVER

- 1 - BOLTS
- 2 - COVER

(1) Remove differential cover bolts and remove cover (Fig. 38).



812d4693

Fig. 40 DIFFERENTIAL PINIONS

- 1 - CROSS SHAFT
- 2 - PINION GEAR
- 3 - WASHER

(3) Remove differential cross shaft (1) with pinion gears (2) and spherical washers (3) (Fig. 40).

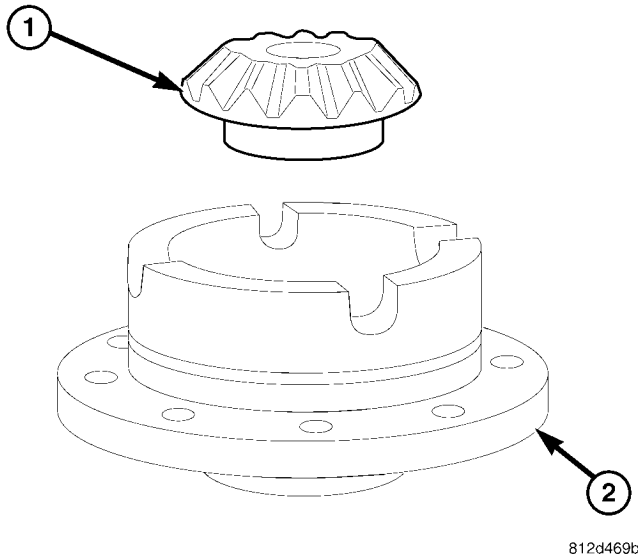


Fig. 41 LOWER SIDE GEAR

- 1 - SIDE GEAR
- 2 - DIFFERENTIAL CASE

(4) Remove lower differential side gear (1) and shim (Fig. 41).

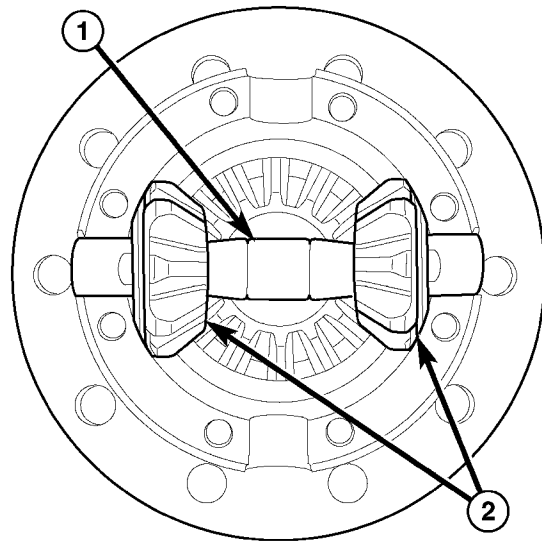


Fig. 43 PINION GEAR SET

- 1 - MATE SHAFT
- 2 - PINION GEARS

(2) Install first differential pinions gears (1) with spherical washers and mate shaft (2) (Fig. 43).

ASSEMBLY

ASSEMBLY - SINGLE REAR WHEEL

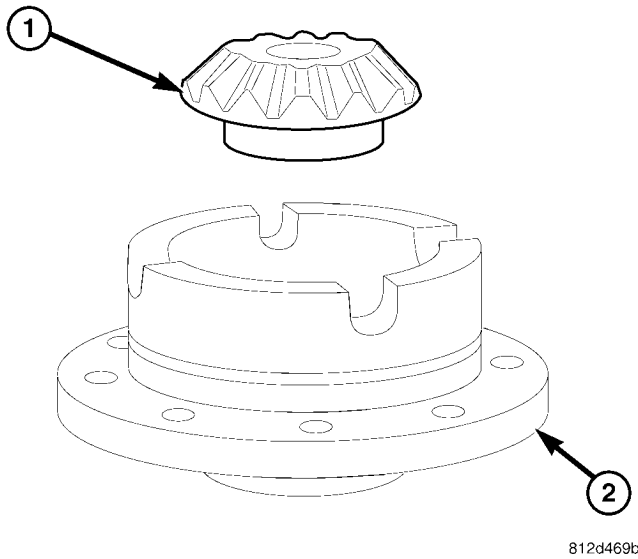


Fig. 42 LOWER SIDE GEAR

- 1 - SIDE GEAR
- 2 - DIFFERENTIAL CASE

(1) Install lower differential side gear (1) and shim (Fig. 42).

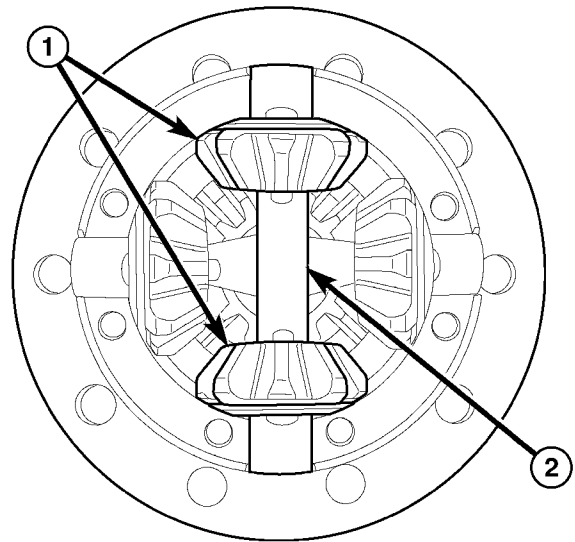
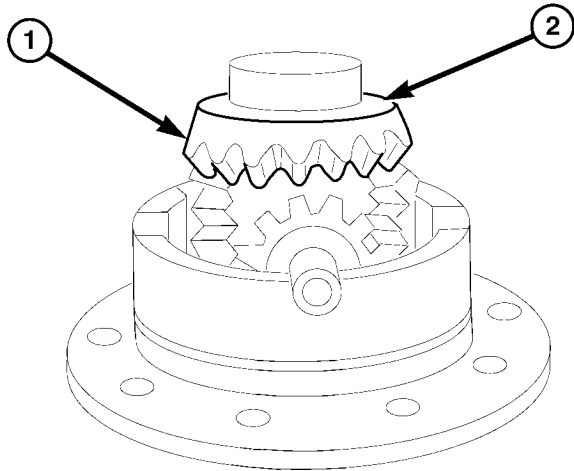


Fig. 44 PINION GEARS

- 1 - PINION GEARS
- 2 - MATE SHAFT

(3) Install second pinion gears (2) with spherical washers and mate shaft (1) (Fig. 44).

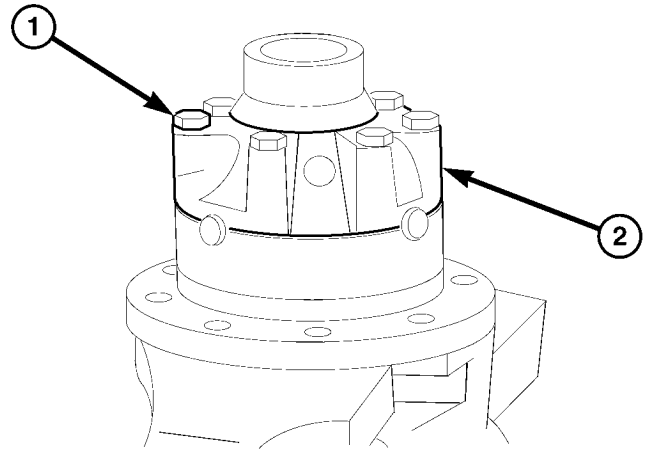


812d468c

Fig. 45 UPPER SIDE GEAR

- 1 - SIDE GEAR
- 2 - SHIM

(4) Install upper differential side gear (1) and shim (2) (Fig. 45).



812d4688

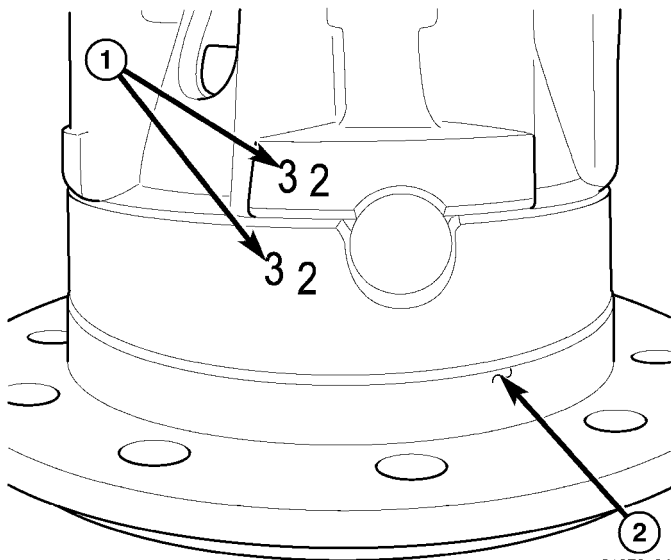
Fig. 47 DIFFERENTIAL COVER

- 1 - BOLTS
- 2 - COVER

(6) Install differential cover (2) bolts (1) and tighten to 45 N·m (33 ft. lbs.) (Fig. 47).

(7) Check torque to rotate the differential gears with Torque Tool 9744 and a torque wrench. Torque should be 20-40 N·m (15-30 ft. lbs.).

NOTE: Shims are available in 0.05 mm (0.002 in.) increments, in thicknesses from 1.30 - 2.00 mm (0.051 - 0.078 in.).



81372e94

Fig. 46 LOCATION NUMBERS

- 1 - NUMBERS
- 2 - CASE

(5) Install differential cover with location numbers (1) on differential case (2) aligned (Fig. 46).

ASSEMBLY - DUAL REAR WHEEL

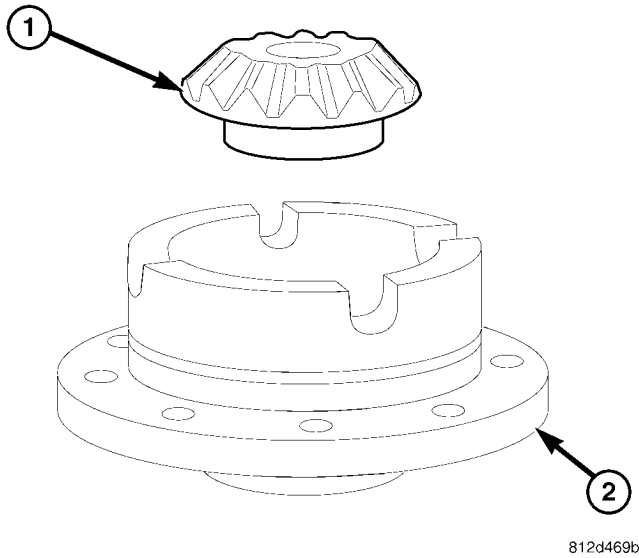


Fig. 48 LOWER SIDE GEAR

- 1 - SIDE GEAR
- 2 - DIFFERENTIAL CASE

(1) Install lower differential side gear (1) and shim (Fig. 48).

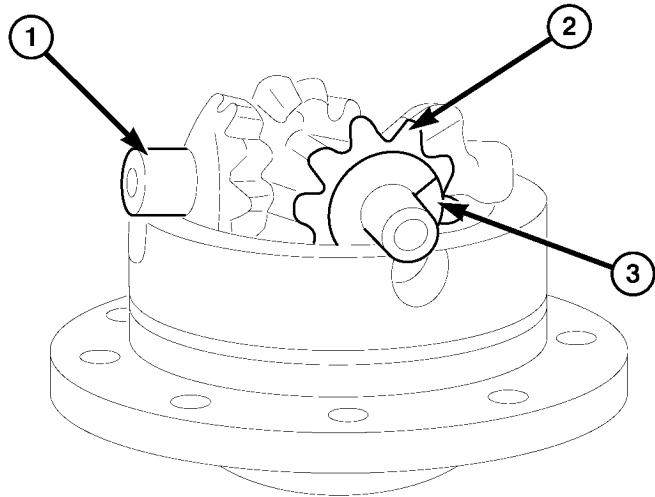


Fig. 49 DIFFERENTIAL PINIONS

- 1 - CROSS SHAFT
- 2 - PINION GEAR
- 3 - WASHER

(2) Install first differential pinions gears (2) with spherical washers (3) and cross shaft (1) (Fig. 49).

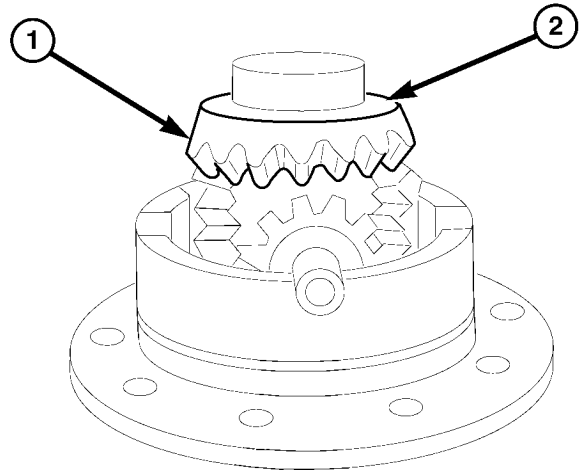


Fig. 50 UPPER SIDE GEAR

- 1 - SIDE GEAR
- 2 - SHIM

(3) Install upper differential side gear (1) and shim (2) (Fig. 50).

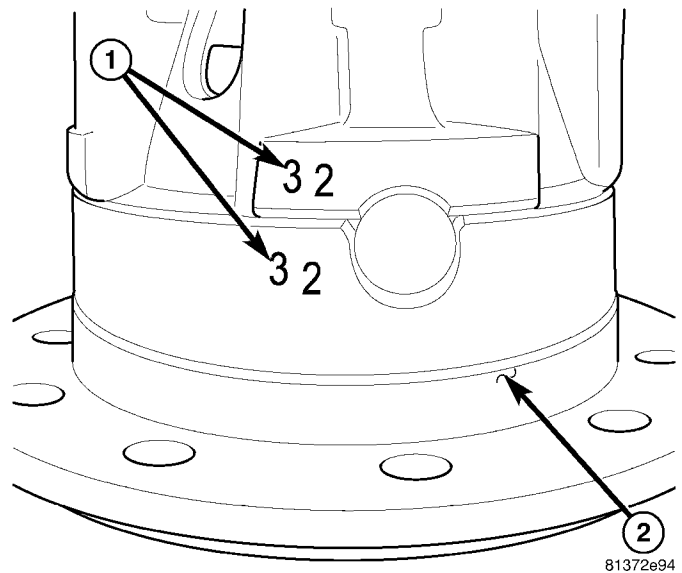
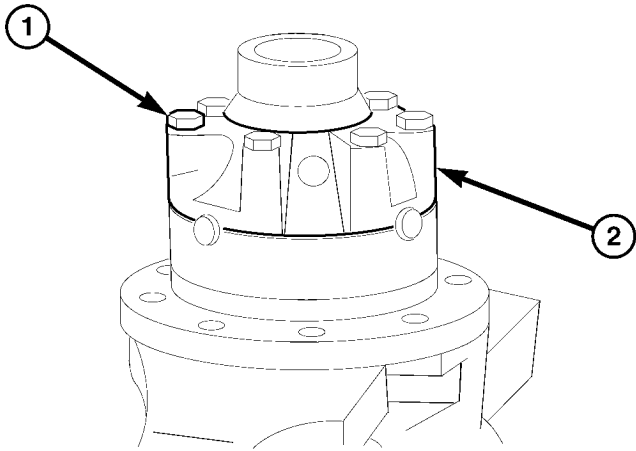


Fig. 51 LOCATION NUMBERS

- 1 - NUMBERS
- 2 - CASE

(4) Install differential cover with location numbers (1) on differential case (2) aligned (Fig. 51).



812d4688

Fig. 52 DIFFERENTIAL COVER

- 1 - BOLTS
- 2 - COVER

(5) Install differential cover (2) bolts (1) and tighten to 45 N·m (33 ft. lbs.) (Fig. 52).

INSTALLATION

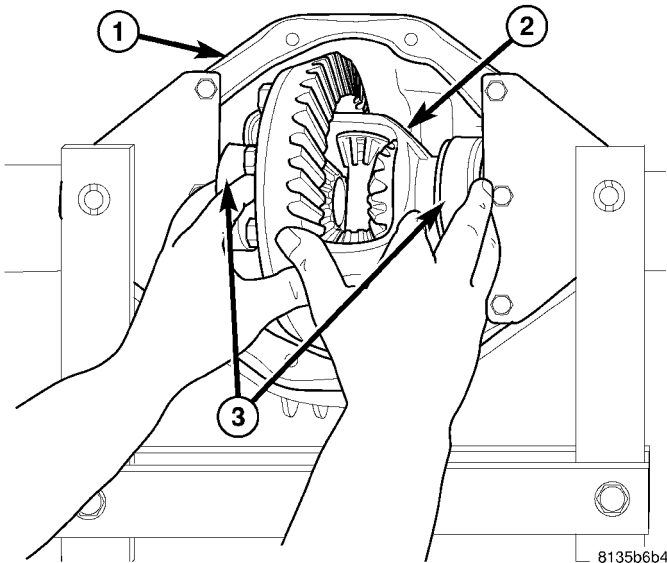


Fig. 53 DIFFERENTIAL INSTALLATION

- 1 - HOUSING
- 2 - DIFFERENTIAL
- 3 - DIFFERENTIAL BEARINGS

(1) Spread the differential housing (1).

CAUTION: Never spread over 0.3 mm (0.011 in). If the housing is over-spread, it could be distorted or damaged.

- (2) Install differential case (2) into the housing (1) with bearings, cups (3) and shims (Fig. 53).
- (3) Loosely install differential bearing cap bolts.

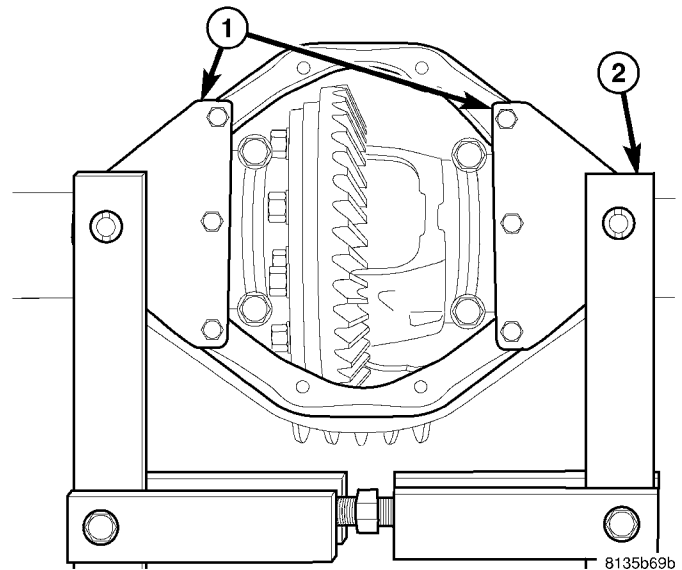


Fig. 54 SPREADER

- 1 - ADAPTERS
- 2 - SPREADER

(4) Remove spreader (2) and adapters (1) from housing (Fig. 54).

(5) Tighten bearing cap bolts to 70 N·m (52 ft. lbs.).

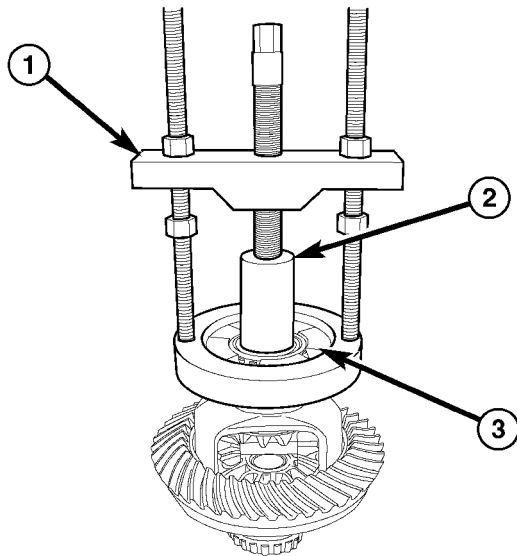
(6) Install axle shafts.

(7) Install differential cover and tighten bolts to 65 N·m (48 ft. lbs.).

(8) Fill differential housing with lubricant.

BEARINGS - DIFFERENTIAL CASE

REMOVAL



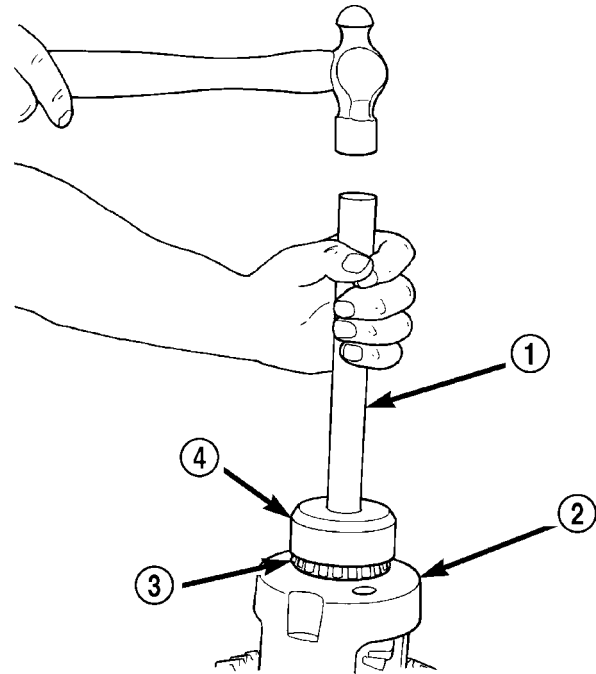
8134e7bd

Fig. 55 CASE BEARING PULLER

- 1 - PULLER
- 2 - PLUG
- 3- ADAPTERS

(1) Remove differential bearings with Puller C-293-PA (1), Plug C-293-3 (2) and four Adapters C-293-37 (3) (Fig. 55).

INSTALLATION



80a0c4fe

Fig. 56 DIFFERENTIAL BEARINGS

- 1 - HANDLE
- 2 - DIFFERENTIAL
- 3 - BEARING
- 4 - INSTALLER

(1) Set differential on Plug C-293-3.
 (2) Install differential (2) bearings (3) with Installer 9523 (4) and Handle C-4171 (1) (Fig. 56).
 (3) Install differential case in axle.

SEAL - PINION

REMOVAL

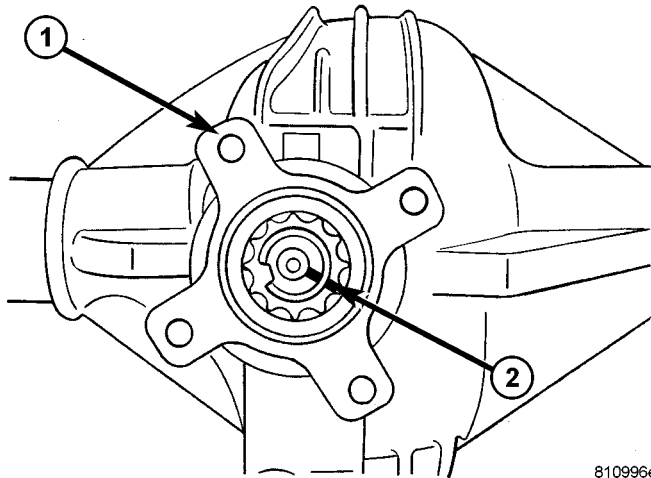


Fig. 57 COLLARED NUT

- 1 - PINION FLANGE
- 2 - COLLARED NUT

- (1) Remove wheels.
- (2) Push back brake pads and release hand brake.

NOTE: If it is not possible to spin rear axle shafts manually, detach rear brake cables.

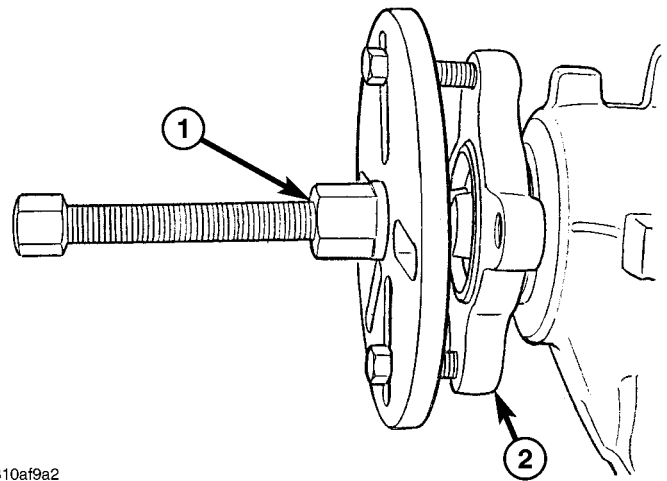
- (3) Drain rear axle oil.

NOTE: On dual rear wheel axle remove axle shafts.

- (4) Remove propeller shaft.
- (5) Spin pinion flange by hand and check axial play of bearing.

CAUTION: There must not be any thrust bearing play. If play excess or there are particles (shavings) in the drained oil, replace gear assembly.

- (6) Measure and record torque to rotate the pinion.
- (7) Mark pinion position to pinion flange (1) (Fig. 57).
- (8) Unlock collared nut.
- (9) Hold pinion flange (1) with Flange Wrench C-3281 and remove nut.



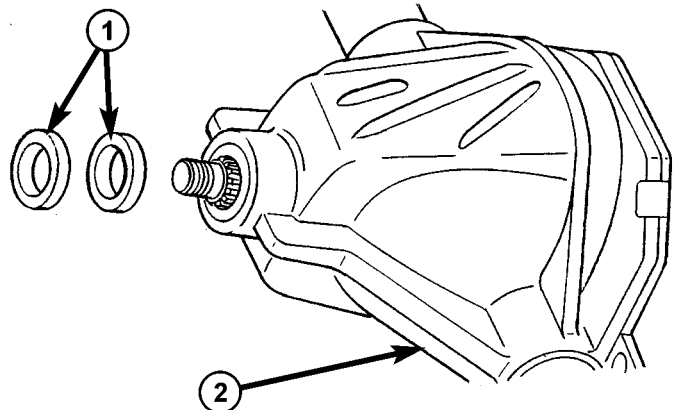
810af9a2

Fig. 58 FLANGE PULLER

- 1 - FLANGE PULLER
- 2 - PINION FLANGE

(10) Remove pinion flange (1) from pinion shaft with Flange Puller 8992 (2) (Fig. 58).

(11) Check sealing surfaces of joint flange for score marks and replace joint flange if necessary.



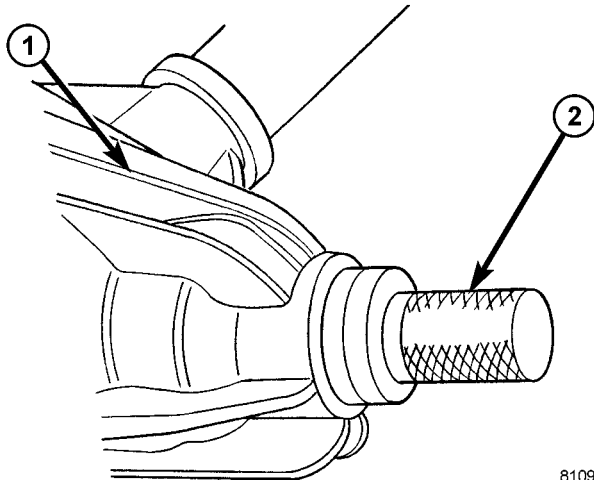
8109970a

Fig. 59 PINION SEALS

- 1 - SEALS
- 2 - AXLE

(12) Remove pinion seal/seals (1) (Fig. 59).

INSTALLATION



81099f6d

Fig. 60 PINION SEAL INSTALLER

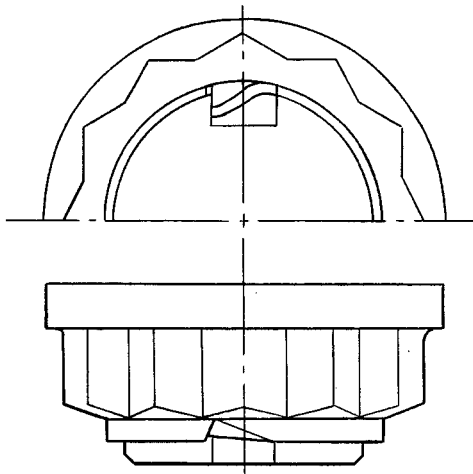
- 1 - AXLE
2 - INSTALLER

(1) Pack space between dust lip and sealing lip on seal ring with multi-purpose grease.

(2) On seals without rubberized external surface, coat outer circumference with sealant.

CAUTION: Do not coat partially rubberized seals with sealant.

(3) Drive **new** pinion seal/seals into rear axle housing as far as the stop using Installer 9276 (2) (Fig. 60).



81099f71

Fig. 61 COLLARED NUT

(4) Fit coupling flange on drive pinion shaft.

NOTE: The groove in the drive pinion and the groove in the joint flange must be in alignment.

(5) Hold pinion flange with Flange Wrench C-3281.

(6) Tighten collar nut to 100 N·m. (74 ft. lbs.).

(7) Using a dial indicator check free play at pinion flange.

NOTE: Should bearing not be free of play, tighten in increases of 10 N·m. (88 in. lbs.) to maximum of 130 N·m. (95 ft. lbs.). If bearing is not free from play at 130 N·m. (95 ft. lbs.) collapsible spacer must be replaced.

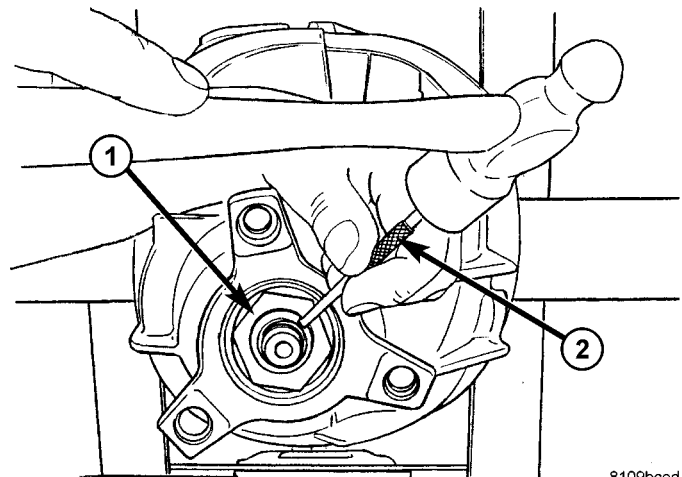
(8) Identify the position of the pinion to the nut twelve points and mark pinion and nut.

(9) Turn nut pinion nut 30° (one twelve point). Then rotate pinion thirty times.

(10) Measure torque to rotate. The torque to rotate must be 0.1-0.2 N·m (0.9-1.7 in. lbs.) higher than recorded torque.

NOTE: If value is below or above collapsible spacer must be replaced.

(11) Cut the collar of the collared nut (Fig. 61).



8109bcd

Fig. 62 BEND COLLAR OF NUT

- 1 - COLLARED NUT
2 - DRIFT

(12) Bend collar nut (1) so it touches the wall of the slot in the pinion shaft (Fig. 62).

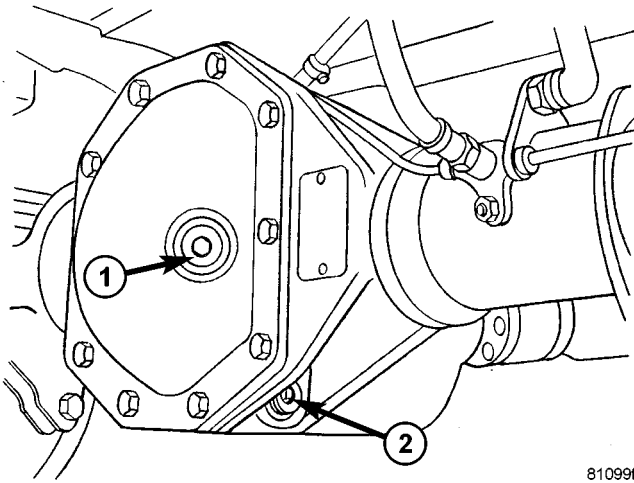


Fig. 63 FILL PLUG

- 1 - FILL PLUG
- 2 - DRAIN PLUG

(13) Connect propeller shaft to pinion flange.

NOTE: On dual rear wheel axle install axle shafts.

(14) Pour in oil up to bottom edge of oil filler hole (1) (Fig. 63).

(15) Screw in oil filler plug (1) and tighten to 100 N·m (74 ft. lbs.).

(16) Install wheels at rear axle.

(17) Operate brake pedal several times until brake pads contact brake discs (brake pressure built up).

(18) Attach rear brake cables if removed and adjust parking brake.

GEAR - PINION / RING

REMOVAL

NOTE: The ring and pinion gears are serviced in a matched set. Never replace one gear without replacing the other gear.

- (1) Remove differential from housing.
- (2) Place differential case in a vise with soft metal jaw.
- (3) Remove ring gear bolts from the differential case.
- (4) Drive ring gear off the differential case with a dead-blow hammer (Fig. 64).

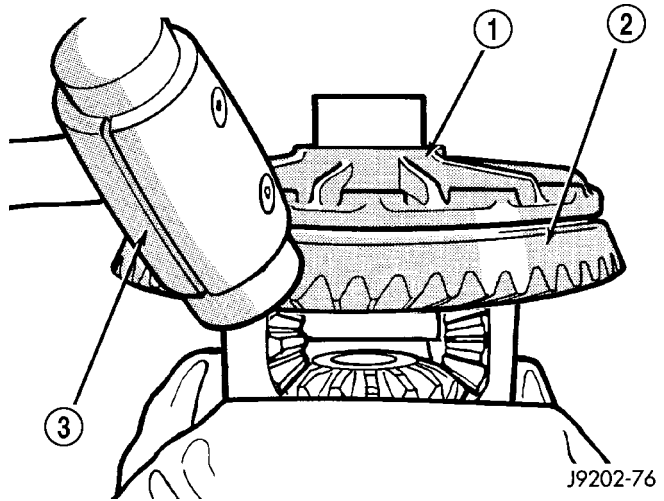


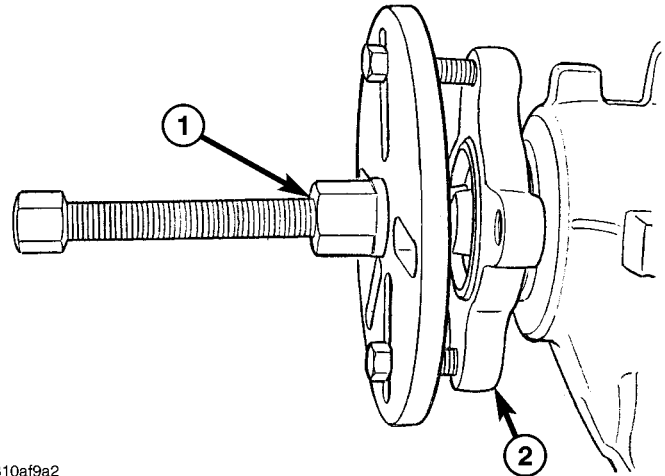
Fig. 64 RING GEAR

- 1 - CASE
- 2 - RING GEAR
- 3 - DEAD-BLOW HAMMER

(5) Unlock collared nut.

(6) Hold pinion flange with Flange Wrench C-3281 and remove nut.

(7) Remove pinion flange from pinion shaft with Puller 8892 and Wrench C-3281 (Fig. 65).



810af9a2

Fig. 65 FLANGE PULLER

- 1 - FLANGE PULLER
- 2 - PINION FLANGE

(8) Remove pinion gear from housing with a dead-blow hammer.

(9) Remove pinion shaft seal with a seal pick.

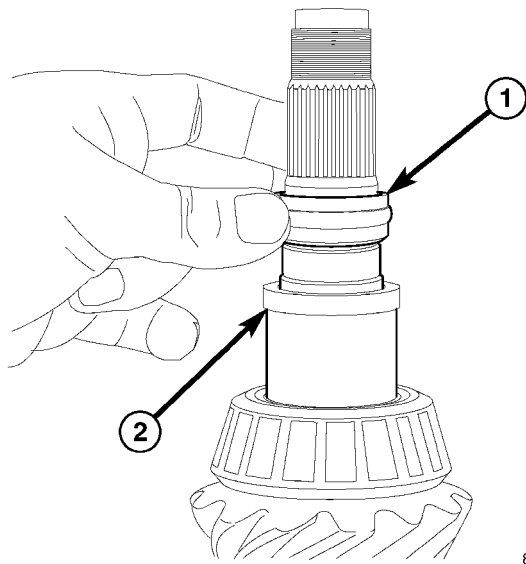
(10) Remove front pinion bearing.

(11) Remove front pinion bearing cup with Remover D-103 and Handle C-4171.

(12) Remove rear pinion bearing cup with Remover 9084 and Handle C-4171.

(13) Remove pinion depth shim from rear pinion bearing cup bore.

(14) Remove collapsible spacer (Fig. 66).

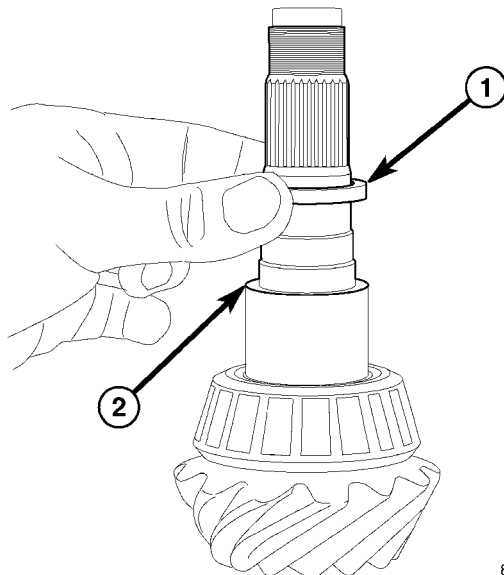


8134f378

Fig. 66 COLLAPSIBLE SPACER

- 1 - COLLAPSIBLE SPACER
2 - SPACER

(15) Remove spacer from pinion shaft (Fig. 67).

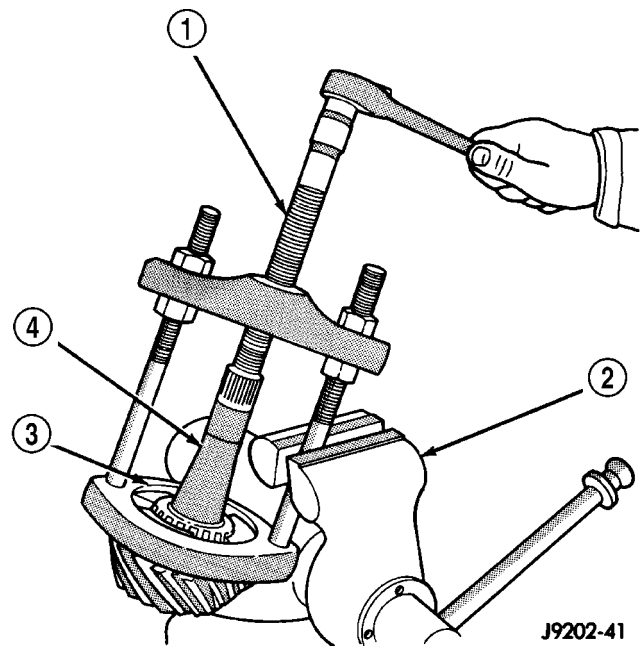


8134f323

Fig. 67 SPACER

- 1 - SPACER
2 - PINION SHAFT

(16) Remove rear bearing from pinion shaft with Puller/Press C-293-PA and Adapters C-293-47 (Fig. 68).



J9202-41

Fig. 68 Rear Bearing Removal

- 1 - PULLER
2 - VISE
3 - ADAPTERS
4 - DRIVE PINION GEAR SHAFT

INSTALLATION

(1) Apply Mopar Door Ease or equivalent lubricant to outside surface of bearing cups.

(2) Install pinion depth shim in rear pinion bearing cup bore.

(3) Install rear pinion bearing cup with Installer C-4310 and Driver Handle C-4171.

(4) Install front pinion bearing cup with Installer 8617 and Handle C-4171.

(5) Install rear bearing on pinion with Installer MB-998805 and a press (Fig. 69).

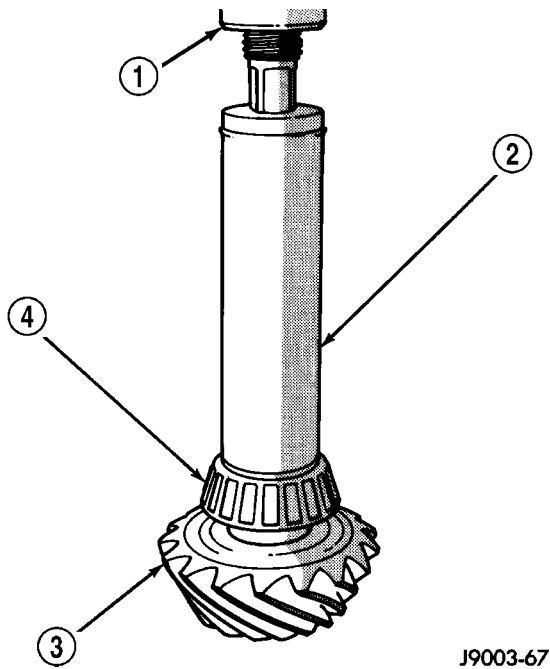


Fig. 69 REAR BEARING INSTALLATION

J9003-67

- 1 - PRESS
- 2 - INSTALLER
- 3 - DRIVE PINION GEAR
- 4 - REAR PINION BEARING

(6) Install pinion spacer on pinion shaft (Fig. 70).

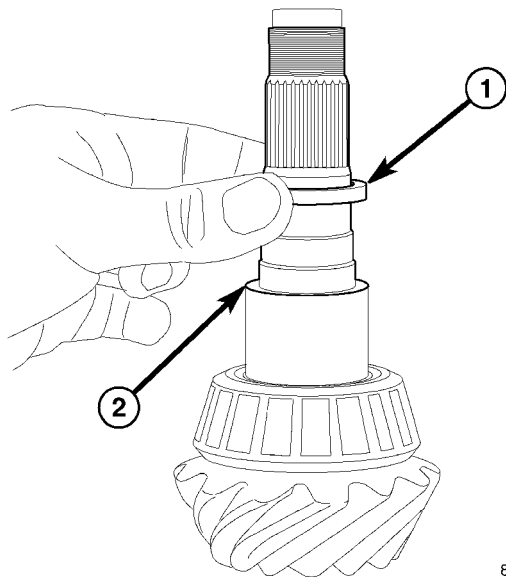
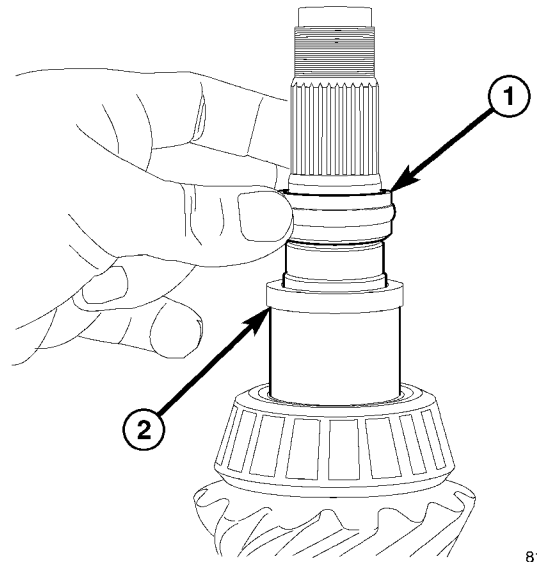


Fig. 70 SPACER

8134f323

- 1 - SPACER
- 2 - PINION SHAFT

(7) Install **new** collapsible preload spacer on pinion shaft (Fig. 71) and install pinion gear into the housing.



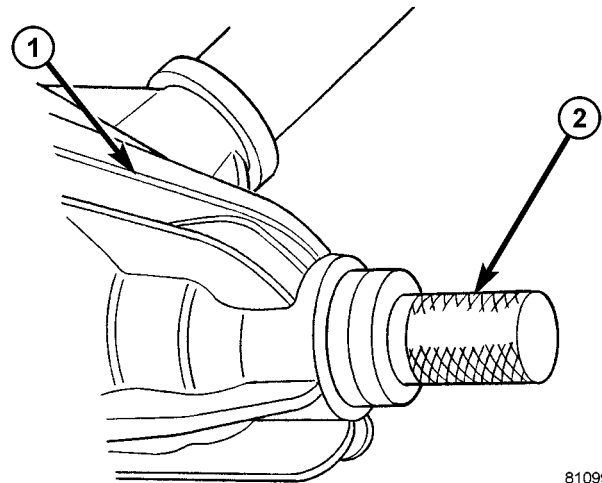
8134f378

Fig. 71 COLLAPSIBLE SPACER

- 1 - COLLAPSIBLE SPACER
- 2 - SPACER

(8) Install front pinion bearing into housing with Installer 9548.

(9) Apply a light coating of gear lubricant on the lip of pinion seal and install seal with Installer 9276 (Fig. 72).



81099f6d

Fig. 72 PINION SEAL INSTALLER

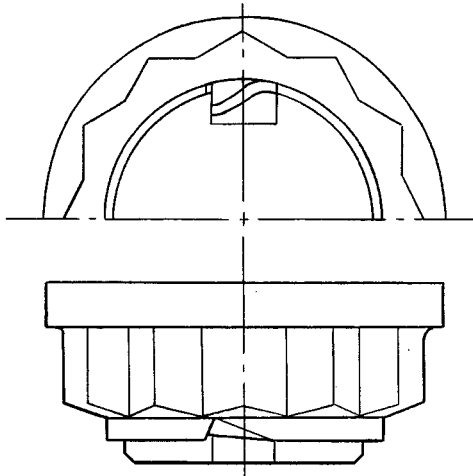
- 1 - AXLE
- 2 - INSTALLER

(10) Hold pinion flange with Flange Wrench C-3281.

(11) Screw on the **new** collared nut.

(12) Tighten collar nut carefully to a torque to rotate of 2.5-3 N·m (22-27 in. lbs.).

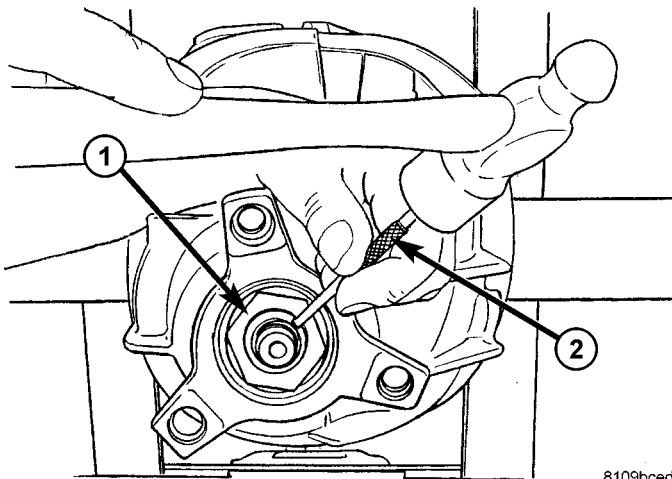
(13) Cut the collar of the tightened collared nut (Fig. 73).



81099f71

Fig. 73 COLLARED NUT

(14) Bend collar so it touches the wall of the slot in the pinion shaft (Fig. 74).



8109bcd

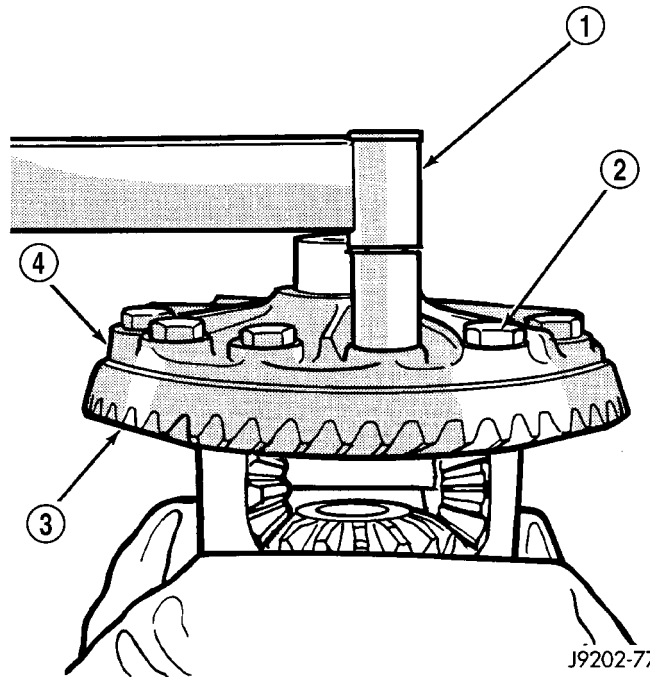
Fig. 74 BEND COLLAR OF NUT

- 1 - COLLARED NUT
- 2 - DRIFT

(15) Invert differential case and start two ring gear bolts. This will provide case-to-ring gear bolt hole alignment.

(16) Invert differential case in the vise and install new ring gear bolts and alternately tighten to 180 N.m (133 ft. lbs.) (Fig. 75)

CAUTION: Do not reuse ring gear bolts, the bolts can fracture causing extensive damage. Failure to heed caution may result in damage.



J9202-77

Fig. 75 RING GEAR

- 1 - TORQUE WRENCH
- 2 - RING GEAR BOLT
- 3 - RING GEAR
- 4 - CASE

(17) Install differential in axle housing and verify gear mesh and contact pattern.

BRAKES

TABLE OF CONTENTS

	page		page
BRAKES - BASE	1	BRAKES - ABS	30

BRAKES - BASE

TABLE OF CONTENTS

	page		page
BRAKES - BASE		INSTALLATION	
DIAGNOSIS AND TESTING - BASE BRAKE SYSTEM	2	INSTALLATION - FRONT (SRW)	13
STANDARD PROCEDURE		INSTALLATION - FRONT (DRW)	13
STANDARD PROCEDURE - MANUAL BLEEDING	4	INSTALLATION - REAR (SRW)	14
STANDARD PROCEDURE - PRESSURE BLEEDING	5	INSTALLATION - REAR (DRW)	14
HYDRAULIC/MECHANICAL		DISC BRAKE CALIPER ADAPTER	
SPECIFICATIONS		REMOVAL	
SPECIFICATIONS - TORQUE CHART	5	REMOVAL - FRONT	14
BASE BRAKE	6	REMOVAL - REAR	14
SPECIAL TOOLS		INSTALLATION	
BRAKES	7	INSTALLATION - FRONT	14
BRAKE LINES		INSTALLATION - REAR	14
STANDARD PROCEDURE		FLUID	
STANDARD PROCEDURE - ISO FLARING	8	DIAGNOSIS AND TESTING - BRAKE FLUID CONTAMINATION	15
STANDARD PROCEDURE - DOUBLE INVERTED FLARING	8	STANDARD PROCEDURE - BRAKE FLUID LEVEL	15
BRAKE PADS/SHOES		SPECIFICATIONS	
REMOVAL		BRAKE FLUID	15
REMOVAL - FRONT (SRW)	8	FLUID RESERVOIR	
REMOVAL - FRONT (DRW)	9	REMOVAL	15
REMOVAL - REAR (16" WHEELS) (SRW)	9	INSTALLATION	15
REMOVAL - REAR (15" WHEELS) (SRW)	10	ALB LEVER	
REMOVAL - REAR (DRW)	10	REMOVAL	16
INSTALLATION		INSTALLATION	16
INSTALLATION - FRONT (SRW)	11	ALB CONTROLLER	
INSTALLATION - FRONT (DRW)	11	REMOVAL	16
INSTALLATION - REAR (16" WHEELS) (SRW)	11	INSTALLATION	16
INSTALLATION - REAR (16" WHEELS) (SRW)	11	ADJUSTMENTS	
INSTALLATION - REAR (DRW)	11	ADJUSTMENT	16
DISC BRAKE CALIPERS		MASTER CYLINDER	
REMOVAL		DIAGNOSIS AND TESTING - MASTER CYLINDER/POWER BOOSTER	17
REMOVAL - FRONT (SRW)	11	STANDARD PROCEDURE - MASTER CYLINDER BLEEDING	18
REMOVAL - FRONT (DRW)	12	REMOVAL	18
REMOVAL - REAR (SRW)	12	INSTALLATION	19
REMOVAL - REAR (DRW)	13	PEDAL	
		REMOVAL	19
		INSTALLATION	19

POWER BRAKE BOOSTER

DESCRIPTION	19
OPERATION	19
REMOVAL	20
INSTALLATION	20

ROTORS

REMOVAL	
REMOVAL - FRONT (SRW)	20
REMOVAL - REAR (SRW)	20
REMOVAL - FRONT (DRW)	21
REMOVAL - REAR (DRW)	21
INSTALLATION	
INSTALLATION - FRONT (SRW)	22
INSTALLATION - REAR (SRW)	22
INSTALLATION - FRONT (DRW)	22
INSTALLATION - REAR (DRW)	22

SUPPORT PLATE

REMOVAL - REAR	23
INSTALLATION - REAR	23

PARKING BRAKE

SPECIFICATIONS	
TORQUE CHART	23
SPECIAL TOOLS	
PARK BRAKE	24

CABLE TENSIONER

REMOVAL	24
---------------	----

BRAKES - BASE**DIAGNOSIS AND TESTING - BASE BRAKE SYSTEM**

Base brake components consist of the brake pads, calipers, brake drum in hat rotor in the rear, rotors, brake lines, master cylinder, booster, and parking brake components.

Brake diagnosis involves determining if the problem is related to a mechanical, hydraulic, or vacuum operated component.

The first diagnosis step is the preliminary check.

PRELIMINARY BRAKE CHECK

(1) Check condition of tires and wheels. Damaged wheels and worn, damaged, or underinflated tires can cause pull, shudder, vibration, and a condition similar to grab.

(2) If complaint was based on noise when braking, check suspension components. Jounce front and rear of vehicle and listen for noise that might be caused by loose, worn or damaged suspension or steering components.

(3) Inspect brake fluid level and condition. Note that the brake reservoir fluid level will decrease in proportion to normal lining wear. **Also note that brake fluid tends to darken over time. This is normal and should not be mistaken for contamination.**

INSTALLATION	24
--------------------	----

CABLES

REMOVAL	
REMOVAL - FRONT	24
REMOVAL - REAR	25

INSTALLATION

INSTALLATION - FRONT	25
INSTALLATION - REAR	26

ADJUSTMENTS

ADJUSTMENT - PARKING BRAKE CABLES ..	26
--------------------------------------	----

LEVER

REMOVAL	26
INSTALLATION	27

SHOES

REMOVAL	
REMOVAL - (SRW)	27
REMOVAL - (DRW)	27

CLEANING - REAR DRUM IN HAT BRAKE	28
---	----

INSTALLATION

INSTALLATION - (SRW)	28
INSTALLATION - (DRW)	28

ADJUSTMENTS

ADJUSTMENT	28
------------------	----

(a) If fluid level is abnormally low, look for evidence of leaks at calipers, wheel cylinders, brake lines, and master cylinder.

(b) If fluid appears contaminated, drain out a sample to examine. System will have to be flushed if fluid is separated into layers, or contains a substance other than brake fluid. The system seals and cups will also have to be replaced after flushing. Use clean brake fluid to flush the system.

(4) Check parking brake operation. Verify free movement and full release of cables and pedal. Also note if vehicle was being operated with parking brake partially applied.

(5) Check brake pedal operation. Verify that pedal does not bind and has adequate free play. If pedal lacks free play, check pedal and power booster for being loose or for bind condition. Do not road test until condition is corrected.

(6) Check booster vacuum check valve and hose.

(7) If components checked appear OK, road test the vehicle.

ROAD TESTING

(1) If complaint involved low brake pedal, pump pedal and note if it comes back up to normal height.

(2) Check brake pedal response with transmission in Neutral and engine running. Pedal should remain firm under constant foot pressure.

(3) During road test, make normal and firm brake stops in 25-40 mph range. Note faulty brake operation such as low pedal, hard pedal, fade, pedal pulsation, pull, grab, drag, noise, etc.

(4) Attempt to stop the vehicle with the parking brake only and note grab, drag, noise, etc.

PEDAL FALLS AWAY

A brake pedal that falls away under steady foot pressure is generally the result of a system leak. The leak point could be at a brake line, fitting, hose, or caliper/wheel cylinder. If leakage is severe, fluid will be evident at or around the leaking component.

Internal leakage (seal by-pass) in the master cylinder caused by worn or damaged piston cups, may also be the problem cause.

An internal leak in the ABS or RWAL system may also be the problem with no physical evidence.

LOW PEDAL

If a low pedal is experienced, pump the pedal several times. If the pedal comes back up worn linings, rotors, drums, or rear brakes out of adjustment are the most likely causes. The proper course of action is to inspect and replace all worn component and make the proper adjustments.

SPONGY PEDAL

A spongy pedal is most often caused by air in the system. However, thin brake drums or substandard brake lines and hoses can also cause a spongy pedal. The proper course of action is to bleed the system, and replace thin drums and substandard quality brake hoses if suspected.

HARD PEDAL OR HIGH PEDAL EFFORT

A hard pedal or high pedal effort may be due to lining that is water soaked, contaminated, glazed, or badly worn. The power booster or check valve could also be faulty.

PEDAL PULSATION

Pedal pulsation is caused by components that are loose, or beyond tolerance limits.

The primary cause of pulsation are disc brake rotors with excessive lateral runout or thickness variation, or out of round brake drums. Other causes are loose wheel bearings or calipers and worn, damaged tires.

NOTE: Some pedal pulsation may be felt during ABS activation.

BRAKE DRAG

Brake drag occurs when the lining is in constant contact with the rotor or drum. Drag can occur at one wheel, all wheels, fronts only, or rears only.

Drag is a product of incomplete brake shoe release. Drag can be minor or severe enough to overheat the linings, rotors and drums.

Minor drag will usually cause slight surface charring of the lining. It can also generate hard spots in rotors and drums from the overheat-cool down process. In most cases, the rotors, drums, wheels and tires are quite warm to the touch after the vehicle is stopped.

Severe drag can char the brake lining all the way through. It can also distort and score rotors and drums to the point of replacement. The wheels, tires and brake components will be extremely hot. In severe cases, the lining may generate smoke as it chars from overheating.

Common causes of brake drag are:

- Seized or improperly adjusted parking brake cables.
- Loose/worn wheel bearing.
- Seized caliper or wheel cylinder piston.
- Caliper binding on corroded bushings or rusted slide surfaces.
- Loose caliper mounting.
- Drum brake shoes binding on worn/damaged support plates.
- Mis-assembled components.
- Long booster output rod.

If brake drag occurs at all wheels, the problem may be related to a blocked master cylinder return port, or faulty power booster (binds-does not release).

BRAKE FADE

Brake fade is usually a product of overheating caused by brake drag. However, brake overheating and resulting fade can also be caused by riding the brake pedal, making repeated high deceleration stops in a short time span, or constant braking on steep mountain roads. Refer to the Brake Drag information in this section for causes.

BRAKE PULL

Front brake pull condition could result from:

- Contaminated lining in one caliper
- Seized caliper piston
- Binding caliper
- Loose caliper
- Rusty caliper slide surfaces
- Improper brake pads
- Damaged rotor

A worn, damaged wheel bearing or suspension component are further causes of pull. A damaged front tire (bruised, ply separation) can also cause pull.

A common and frequently misdiagnosed pull condition is where direction of pull changes after a few stops. The cause is a combination of brake drag followed by fade at one of the brake units.

As the dragging brake overheats, efficiency is so reduced that fade occurs. Since the opposite brake unit is still functioning normally, its braking effect is magnified. This causes pull to switch direction in favor of the normally functioning brake unit.

An additional point when diagnosing a change in pull condition concerns brake cool down. Remember that pull will return to the original direction, if the dragging brake unit is allowed to cool down (and is not seriously damaged).

REAR BRAKE GRAB OR PULL

Rear grab or pull is usually caused by improperly adjusted or seized parking brake cables, contaminated lining, bent or binding shoes and support plates, or improperly assembled components. This is particularly true when only one rear wheel is involved. However, when both rear wheels are affected, the master cylinder or proportioning valve could be at fault.

BRAKES DO NOT HOLD AFTER DRIVING THROUGH DEEP WATER PUDDLES

This condition is generally caused by water soaked lining. If the lining is only wet, it can be dried by driving with the brakes very lightly applied for a mile or two. However, if the lining is both soaked and dirt contaminated, cleaning and/or replacement will be necessary.

BRAKE LINING CONTAMINATION

Brake lining contamination is mostly a product of leaking calipers or worn seals, driving through deep water puddles, or lining that has become covered with grease and grit during repair. Contaminated lining should be replaced to avoid further brake problems.

WHEEL AND TIRE PROBLEMS

Some conditions attributed to brake components may actually be caused by a wheel or tire problem.

A damaged wheel can cause shudder, vibration and pull. A worn or damaged tire can also cause pull.

Severely worn tires with very little tread left can produce a grab-like condition as the tire loses and recovers traction. Flat-spotted tires can cause vibration and generate shudder during brake operation. A tire with internal damage such as a severe bruise, cut, or ply separation can cause pull and vibration.

BRAKE NOISES

Some brake noise is common with rear drum brakes and on some disc brakes during the first few stops after a vehicle has been parked overnight or stored. This is primarily due to the formation of trace corrosion (light rust) on metal surfaces. This light corrosion is typically cleared from the metal surfaces

after a few brake applications causing the noise to subside.

BRAKE SQUEAK / SQUEAL

Brake squeak or squeal may be due to linings that are wet or contaminated with brake fluid, grease, or oil. Glazed linings and rotors with hard spots can also contribute to squeak. Dirt and foreign material embedded in the brake lining will also cause squeak/squeal.

A very loud squeak or squeal is frequently a sign of severely worn brake lining. If the lining has worn through to the brake pads in spots, metal-to-metal contact occurs. If the condition is allowed to continue, rotors can become so scored that replacement is necessary.

BRAKE CHATTER

Brake chatter is usually caused by loose or worn components, or glazed/burnt lining. Rotors with hard spots can also contribute to chatter. Additional causes of chatter are out-of-tolerance rotors, brake lining not securely attached to the shoes, loose wheel bearings and contaminated brake lining.

THUMP / CLUNK NOISE

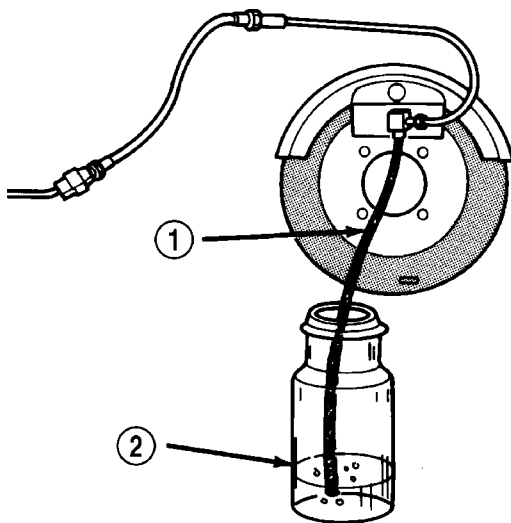
Thumping or clunk noises during braking are frequently **not** caused by brake components. In many cases, such noises are caused by loose or damaged steering, suspension, or engine components. However, calipers that bind on the slide surfaces can generate a thump or clunk noise.

STANDARD PROCEDURE

STANDARD PROCEDURE - MANUAL BLEEDING

Use approved brake fluid (Refer to LUBRICATION & MAINTENANCE/FLUID TYPES - DESCRIPTION). Use fresh, clean fluid from a sealed container at all times.

- (1) Remove reservoir filler caps and fill reservoir.
- (2) If calipers, or wheel cylinders were overhauled, open all caliper and wheel cylinder bleed screws. Then close each bleed screw as fluid starts to drip from it. Top off master cylinder reservoir once more before proceeding.
- (3) Attach one end of bleed hose to bleed screw and insert opposite end in glass container partially filled with brake fluid (Fig. 1). Be sure end of bleed hose is immersed in fluid.



J8905-18

Fig. 1 Bleed Hose Setup

- 1 - BLEED HOSE
2 - FLUID CONTAINER PARTIALLY FILLED WITH FLUID

(4) Open up bleeder, then have a helper press down the brake pedal. Once the pedal is down close

HYDRAULIC / MECHANICAL

SPECIFICATIONS

SPECIFICATIONS - TORQUE CHART

TORQUE SPECIFICATIONS

DESCRIPTION	N-m	Ft. Lbs.	In. Lbs.
Brake Lines	14	—	124
Master Cylinder To Brake Booster Nut	28	—	248
Brake Caliper Adapter Rear M12 X 1.5 Bolt	90	66	—
Brake Caliper Adapter Rear M14 X 1.5 Bolt	170	125	—
Brake Caliper Adapter Front	170	125	—
Disc Brake Rotor Locking Bolt Front or Rear	23	—	204
Wear Indicator To Caliper Bolt Front or Rear	10	—	89
Pedal Bracket to Firewall	23	—	204

the bleeder. Repeat bleeding until fluid stream is clear and free of bubbles. Then move to the next wheel.

STANDARD PROCEDURE - PRESSURE BLEEDING

Use approved brake fluid (Refer to LUBRICATION & MAINTENANCE/FLUID TYPES - DESCRIPTION). Use fresh, clean fluid from a sealed container at all times.

Follow the manufacturers instructions carefully when using pressure equipment. Do not exceed the tank manufacturers pressure recommendations. Generally, a tank pressure of 15-20 psi is sufficient for bleeding.

Fill the bleeder tank with recommended fluid and purge air from the tank lines before bleeding.

Do not pressure bleed without a proper master cylinder adapter. The wrong adapter can lead to leakage, or drawing air back into the system.

DESCRIPTION	N-m	Ft. Lbs.	In. Lbs.
Booster To Pedal Bracket	25	—	221
Brake Caliper Guide Pins M8 Bolt	25	—	221
Brake Caliper Guide Pins M10 Bolt	30	—	266
ALB Operating Linkage Lever To The Rear Axle	34	25	300
Wheel Flange Ring To Rotor Rear	200	148	—
Wheel Flange Ring To Rotor Front	180	133	—

BASE BRAKE

NOTE: Do not resurface the disc brake rotors if they are out of specifications. (Sprinter Van Rotors must be replaced with new disc brake rotors only).

SPECIFICATIONS

DESCRIPTION	SPECIFICATION
Front Disc Brake Caliper Type	Dual Piston Sliding
Rear Disc Brake Caliper Type	Single Piston Sliding
Disc Brake Caliper	Bosch
Rear Disc Brake Rotor New DRW	22 mm (0.866 in.)
Rear Disc Brake Rotor Wear Limit DRW	19 mm (0.748 in.)
Rear Disc Brake Rotor Max. Lateral Runout DRW	.1 mm (0.00394 in.)
Rear Disc Brake Rotor Max. Axial Runout DRW	.02 mm (0.0007 in.)
Front Disc Brake Rotor New DRW	22 mm (0.866 in.)
Front Disc Brake Rotor Wear Limit DRW	19 mm (0.748 in.)
Front Disc Brake Rotor Max. Lateral Runout DRW	0.05 mm (0.0019 in.)

DESCRIPTION	SPECIFICATION
Front Disc Brake Rotor Max. Axial Runout DRW	0.02 mm (0.0007 in.)
Front Disc Brake Rotor New SRW	22 mm (0.866 in.)
Front Disc Brake Rotor Wear Limit SRW	19 mm (0.748 in.)
Front Disc Brake Rotor Max. Lateral Runout SRW	0.05 mm (0.0019 in.)
Front Disc Brake Rotor Max. Axial Runout SRW	0.02 mm (0.0007 in.)
Rear Disc Brake Rotor New Models 901,902	12 mm (0.47 in.)
Rear Disc Brake Rotor Wear Limit Models 901,902	10 mm (0.40 in.)
Rear Disc Brake Rotor Max. Lateral Runout Models 901,902	.1 mm (0.0007 in.)
Rear Disc Brake Rotor Max. Axial Runout Models 901,902	0.02 mm (0.0007 in.)
Rear Disc Brake Rotor New Models 690.611/63/64, 903	16 mm (0.629 in.)
Rear Disc Brake Rotor Wear Limit Models 690.611/63/64, 903	14 mm (0.55 in.)

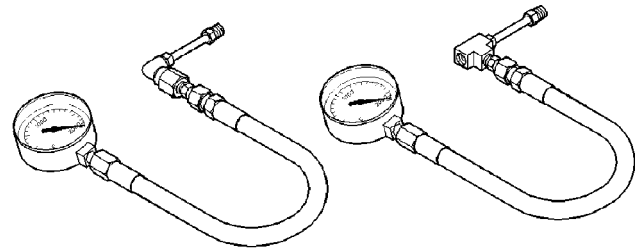
DESCRIPTION	SPECIFICATION
Rear Disc Brake Rotor Max. Lateral Runout Models 690.611/63/64, 903	.1 mm (0.0007 in.)
Rear Disc Brake Rotor Max. Axial Runout Models 690.611/63/64, 903	0.02 mm (0.0007 in.)
Rear Disc Brake Rotor New Models WD2.YD141, YD241, YD341, YD441, YD541, WD5.WD141, WD241, WD341	16 mm (0.629 in.)
Rear Disc Brake Rotor Wear Limit Models WD2.YD141, YD241, YD341, YD441, YD541, WD5.WD141, WD241, WD341	14 mm (0.55 in.)
Rear Disc Brake Rotor Max. Lateral Runout Models WD2.YD141, YD241, YD341, YD441, YD541, WD5.WD141, WD241, WD341	.1 mm (0.0007 in.)
Rear Disc Brake Rotor Max. Axial Runout Models WD2.YD141, YD241, YD341, YD441, YD541, WD5.WD141, WD241, WD341	0.02 mm (0.0007 in.)
Brake Booster Type	Vacuum Diaphragm

SPECIAL TOOLS

BRAKES

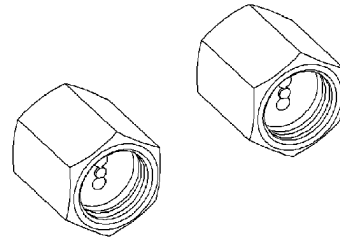
SPECIAL TOOL CROSS REFERENCE CHART

MB TOOL #	MILLER TOOL #	DESCRIPTION
N/A	C-4007-A	GAUGE SET
N/A	9297	ADAPTERS, BRAKE PRESSURE
000 589 18 31 00	9296	BRAKE PEDAL WINCH

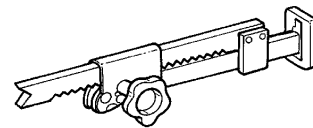


0011 d474

GAUGE SET - C-4007-A



ADAPTERS, BRAKE PRESSURE - 9297



BRAKE PEDAL WINCH - 9296

BRAKE LINES

STANDARD PROCEDURE

STANDARD PROCEDURE - ISO FLARING

A preformed metal brake tube is recommended and preferred for all repairs. However, double-wall steel tube can be used for emergency repair when factory replacement parts are not readily available.

To make a ISO flare use an ISO flaring tool kit.

- (1) Cut off damaged tube with Tubing Cutter.
- (2) Remove any burrs from the inside of the tube.
- (3) Install tube nut on the tube.
- (4) Position the tube in the flaring tool flush with the top of the tool bar (Fig. 2). Then tighten the tool bar on the tube.
- (5) Install the correct size adaptor on the flaring tool yoke screw.
- (6) Lubricate the adaptor.
- (7) Align the adaptor and yoke screw over the tube (Fig. 2).
- (8) Turn the yoke screw in until the adaptor is squarely seated on the tool bar.

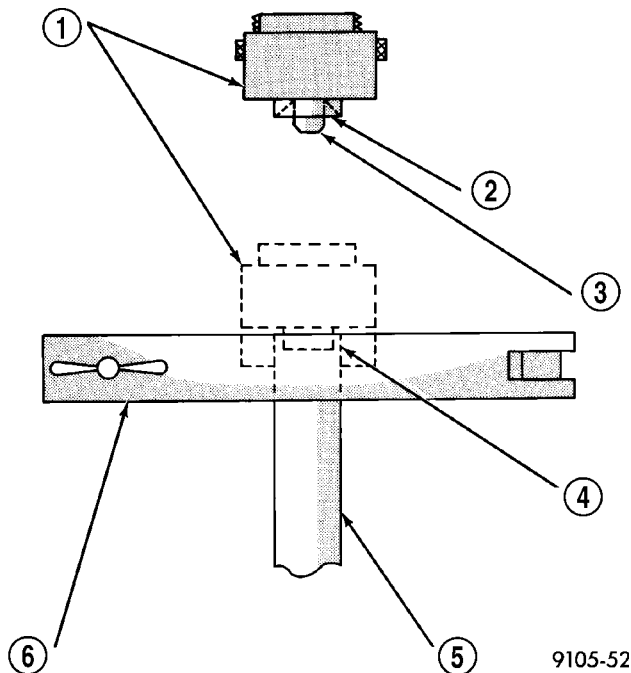


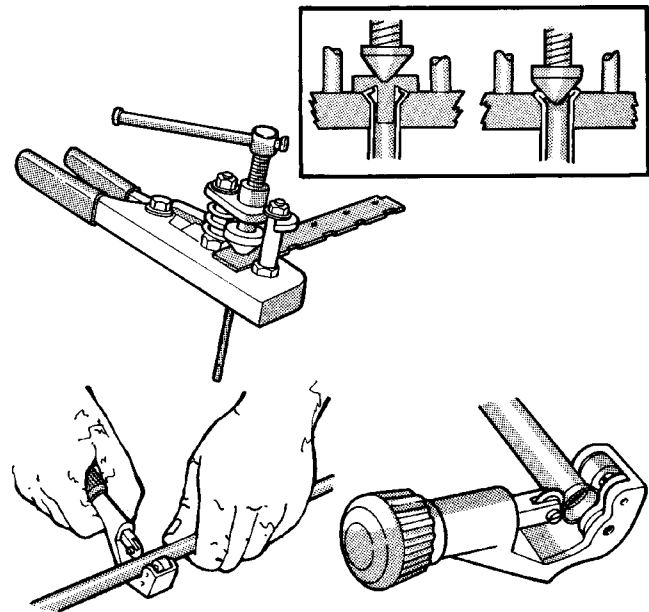
Fig. 2 ISO Flaring

- 1 - ADAPTER
- 2 - LUBRICATE HERE
- 3 - PILOT
- 4 - FLUSH WITH BAR
- 5 - TUBING
- 6 - BAR ASSEMBLY

9105-52

tube can be used for emergency repair when factory replacement parts are not readily available.

- (1) Cut off damaged tube with Tubing Cutter.
- (2) Ream cut edges of tubing to ensure proper flare.
- (3) Install replacement tube nut on the tube.
- (4) Insert tube in flaring tool.
- (5) Place gauge form over the end of the tube.
- (6) Push tubing through flaring tool jaws until tube contacts recessed notch in gauge that matches tube diameter.
- (7) Tighten the tool bar on the tube
- (8) Insert plug on gauge in the tube. Then swing compression disc over gauge and center tapered flaring screw in recess of compression disc (Fig. 3).
- (9) Tighten tool handle until plug gauge is squarely seated on jaws of flaring tool. This will start the inverted flare.
- (10) Remove the plug gauge and complete the inverted flare.



RH222

Fig. 3 Inverted Flare Tools

BRAKE PADS / SHOES

REMOVAL

REMOVAL - FRONT (SRW)

- (1) Unscrew the cap from the brake fluid reservoir.
- (2) Raise and support the vehicle.
- (3) Remove the front wheels (Refer to 22 - TIRES/WHEELS/WHEELS - REMOVAL).
- (4) Remove the wear indicator cable and the wear indicator (Fig. 4).

STANDARD PROCEDURE - DOUBLE INVERTED FLARING

A preformed metal brake tube is recommended and preferred for all repairs. However, double-wall steel

NOTE: Seal off the line ends and connection threads in the brake calipers with plugs. Also check brake hoses for signs of cracks.

- (5) Remove the brake caliper guide bolt (Fig. 4).
- (6) Remove the brake caliper (Fig. 4).
- (7) Remove the brake pads (Fig. 4).

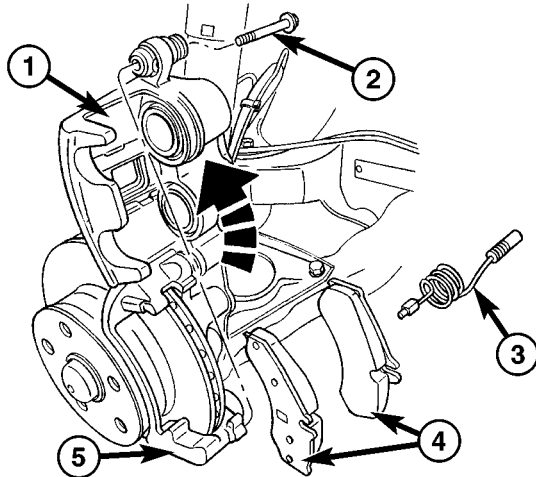


Fig. 4 FRONT BRAKE PADS

- 1 - DISC BRAKE CALIPER
- 2 - GUIDE BOLT
- 3 - WEAR INDICATOR
- 4 - DISC BRAKE PADS
- 5 - CALIPER ADAPTER

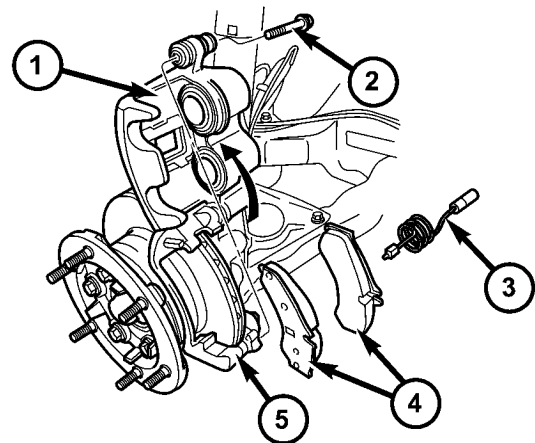
8109edc6

REMOVAL - FRONT (DRW)

- (1) Unscrew the cap from the brake fluid reservoir.
- (2) Raise and support the vehicle.
- (3) Remove the front wheels (Refer to 22 - TIRES/WHEELS/WHEELS - REMOVAL).
- (4) Remove the wear indicator cable and the wear indicator (Fig. 5).

NOTE: Seal off the line ends and connection threads in the brake calipers with plugs. Also check brake hoses for signs of cracks.

- (5) Remove the brake caliper guide bolt (Fig. 5).
- (6) Remove the brake caliper (Fig. 5).
- (7) Remove the brake pads (Fig. 5).



810ef5dc

Fig. 5 FRONT DISC BRAKE PADS WITH DUAL REAR WHEELS

- 1 - DISC BRAKE CALIPER
- 2 - GUIDE PIN/BOLT
- 3 - WEAR INDICATOR
- 4 - BRAKE PADS
- 5 - BRAKE CALIPER ADAPTER

REMOVAL - REAR (16" WHEELS) (SRW)

- (1) Unscrew the cap from the brake fluid reservoir.
- (2) Raise and support the vehicle.
- (3) Remove the rear wheels (Refer to 22 - TIRES/WHEELS/WHEELS - INSTALLATION).
- (4) Remove the wear indicator cable and the wear indicator (Fig. 6).

NOTE: Seal off the line ends and connection threads in the brake calipers with plugs. Also check brake hoses for signs of cracks.

- (5) Remove the brake caliper guide pins (Fig. 6).
- (6) Remove the brake caliper from the caliper adapter (Fig. 6).
- (7) Remove the retaining spring (Fig. 6).
- (8) Remove the pads (Fig. 6).

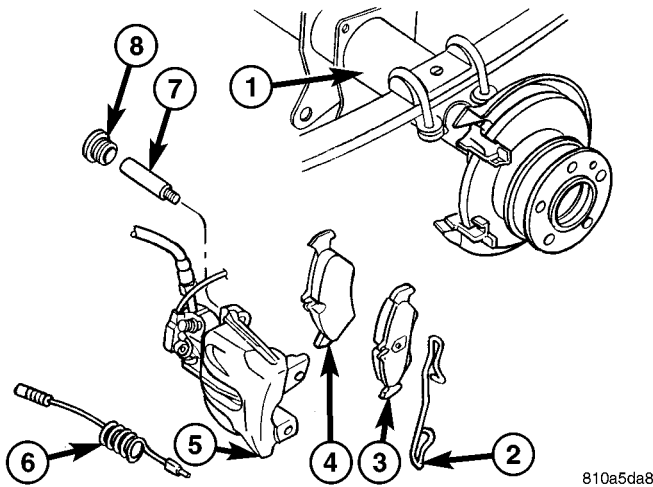


Fig. 6 REAR DISC BRAKE PADS - 16" WHEELS (SRW)

- 1 - AXLE
- 2 - RETAINING SPRING
- 3 - OUTBOARD PADS
- 4 - INBOARD PAD
- 5 - DISC BRAKE CALIPER
- 6 - WEAR INDICATOR
- 7 - GUIDE PIN
- 8 - DUST CAP

REMOVAL - REAR (15" WHEELS) (SRW)

- (1) Unscrew the cap from the brake fluid reservoir.
- (2) Raise and support the vehicle.
- (3) Remove the rear wheels (Refer to 22 - TIRES/WHEELS/WHEELS - INSTALLATION).
- (4) Remove the wear indicator cable and the wear indicator (Fig. 7).

NOTE: Seal off the line ends and connection threads in the brake calipers with plugs. Also check brake hoses for signs of cracks.

- (5) Remove the brake caliper guide pin (Fig. 7).
- (6) Fold the top section of the brake caliper up (Fig. 7).
- (7) Remove the pads (Fig. 7).

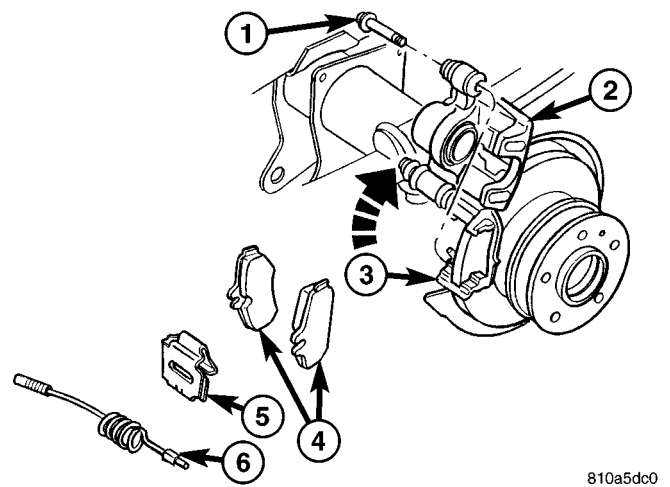


Fig. 7 REAR DISC BRAKE PADS - 15" WHEELS (SRW)

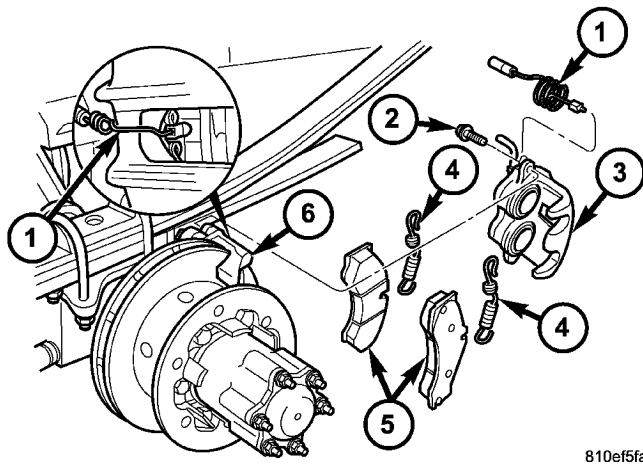
- 1 - CALIPER GUIDE PIN
- 2 - DISC BRAKE CALIPER
- 3 - CALIPER ADAPTER
- 4 - DISC BRAKE PADS
- 5 - RETAINING SPRING
- 6 - WEAR INDICATOR

REMOVAL - REAR (DRW)

- (1) Unscrew the cap from the brake fluid reservoir.
- (2) Raise and support the vehicle.
- (3) Remove the rear wheels (Refer to 22 - TIRES/WHEELS/WHEELS - INSTALLATION).
- (4) Remove the wear indicator cable and the wear indicator (Fig. 8).

NOTE: Seal off the line ends and connection threads in the brake calipers with plugs. Also check brake hoses for signs of cracks.

- (5) Remove the brake caliper guide pins (Fig. 8).
- (6) Remove the brake caliper from the caliper adapter (Fig. 8).
- (7) Remove the retaining spring (Fig. 8).
- (8) Remove the pads (Fig. 8).



810ef5fa

Fig. 8 REAR DISC BRAKE PADS WITH DUAL REAR WHEELS

- 1 - WEAR INDICATOR
- 2 - GUIDE PIN/BOLT
- 3 - DISC BRAKE CALIPER
- 4 - RETAINING SPRING
- 5 - DISC BRAKE PADS
- 6 - CALIPER ADAPTER

INSTALLATION

INSTALLATION - FRONT (SRW)

- (1) Install the brake pads (Fig. 4).
- (2) Install the wear indicator cable and the wear indicator (Fig. 4). Tighten to 10 N·m (89 in. lbs.).

NOTE: Do not install the brake hose twisted and ensure freedom of movement.

- (3) Install the brake caliper to the brake caliper adapter (Fig. 4). Tighten the guide bolt to 25 N·m (221 in. lbs.).
- (4) Bleed the brake system.
- (5) Check the brake system for any leaks.
- (6) Install the front wheels.
- (7) Lower the vehicle.

INSTALLATION - FRONT (DRW)

- (1) Install the brake pads (Fig. 5).
- (2) Install the wear indicator cable and the wear indicator (Fig. 5). Tighten to 10 N·m (89 in. lbs.).

NOTE: Do not install the brake hose twisted and ensure freedom of movement.

- (3) Install the brake caliper to the brake caliper adapter (Fig. 5). Tighten the guide bolt to 25 N·m (221 in. lbs.) (M8 bolt) or Tighten the guide bolt to 30 N·m (265 in. lbs.) (M10 10.9 bolt).
- (4) Bleed the brake system.
- (5) Check the brake system for any leaks.
- (6) Install the front wheels.
- (7) Lower the vehicle.

INSTALLATION - REAR (16" WHEELS) (SRW)

- (1) Install the brake pads (Fig. 6).
- (2) Install the wear indicator cable and the wear indicator (Fig. 6). Tighten to 10 N·m (89 in. lbs.).

NOTE: Do not install the brake hose twisted and ensure freedom of movement.

- (3) Install the brake caliper to brake caliper adapter (Fig. 6). Tighten the guide pins to 25 N·m (221 in. lbs.) for M8 bolt or 30 N·m (266 in. lbs.) for M10 bolt.
- (4) Install the retaining spring (Fig. 6).
- (5) Install the rear wheels (Refer to 22 - TIRES/WHEELS/WHEELS - INSTALLATION).
- (6) Lower the vehicle.

INSTALLATION - REAR (16" WHEELS) (SRW)

- (1) Install the brake pads (Fig. 7).
- (2) Install the wear indicator cable and the wear indicator (Fig. 7). Tighten to 10 N·m (89 in. lbs.).

NOTE: Do not install the brake hose twisted and ensure freedom of movement.

- (3) Install the brake caliper to brake caliper adapter (Fig. 7). Tighten the guide pin to 30 N·m (266 in. lbs.) for M10 bolt.
- (4) Install the rear wheels (Refer to 22 - TIRES/WHEELS/WHEELS - INSTALLATION).
- (5) Lower the vehicle.

INSTALLATION - REAR (DRW)

- (1) Install the brake pads (Fig. 8).
- (2) Install the wear indicator cable and the wear indicator (Fig. 8). Tighten to 10 N·m (89 in. lbs.).

NOTE: Do not install the brake hose twisted and ensure freedom of movement.

- (3) Install the brake caliper to brake caliper adapter (Fig. 8). Tighten the guide pins to 25 N·m (221 in. lbs.) for M8 bolt or 30 N·m (266 in. lbs.) for M10 10.9 bolt.
- (4) Install the retaining spring (Fig. 8).
- (5) Install the rear wheels (Refer to 22 - TIRES/WHEELS/WHEELS - INSTALLATION).
- (6) Lower the vehicle.

DISC BRAKE CALIPERS

REMOVAL

REMOVAL - FRONT (SRW)

- (1) Unscrew the cap from the brake fluid reservoir.
- (2) Raise and support the vehicle.

(3) Remove the front wheels (Refer to 22 - TIRES/WHEELS/WHEELS - REMOVAL).

(4) Remove the wear indicator cable and the wear indicator (Fig. 9).

NOTE: Seal off the line ends and connection threads in the brake calipers with plugs. Also check brake hoses for signs of cracks.

(5) Remove the brake hose at the brake caliper (Fig. 9).

(6) Remove the brake caliper guide bolt (Fig. 9).

(7) Remove the brake caliper (Fig. 9).

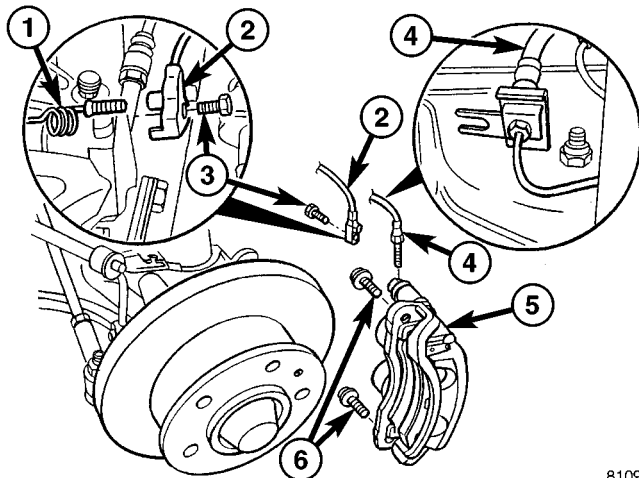


Fig. 9 FRONT DISC BRAKE CALIPER

- 1 - WEAR INDICATOR CABLE
- 2 - WEAR INDICATOR
- 3 - BOLT
- 4 - BRAKE HOSE
- 5 - DISC BRAKE CALIPER/ADAPTER
- 6 - ADAPTER BOLTS

REMOVAL - FRONT (DRW)

(1) Unscrew the cap from the brake fluid reservoir.

(2) Raise and support the vehicle.

(3) Remove the front wheels (Refer to 22 - TIRES/WHEELS/WHEELS - REMOVAL).

(4) Remove the wear indicator cable and the wear indicator (Fig. 10).

NOTE: Seal off the line ends and connection threads in the brake calipers with plugs. Also check brake hoses for signs of cracks.

(5) Remove the brake hose at the brake caliper (Fig. 10).

(6) Remove the brake caliper guide bolt (Fig. 10).

(7) Remove the brake caliper (Fig. 10).

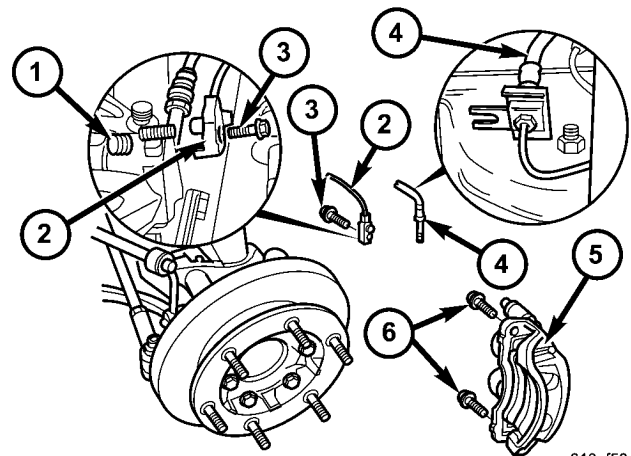


Fig. 10 DISC BRAKE CALIPER WITH DUAL REAR WHEELS

- 1 - WEAR INDICATOR WIRE
- 2 - WEAR INDICATOR
- 3 - MOUNTING BOLT
- 4 - BRAKE HOSE
- 5 - DISC BRAKE CALIPER
- 6 - ADAPTOR BOLTS

REMOVAL - REAR (SRW)

(1) Unscrew the cap from the brake fluid reservoir.

(2) Raise and support the vehicle.

(3) Remove the rear wheels (Refer to 22 - TIRES/WHEELS/WHEELS - INSTALLATION).

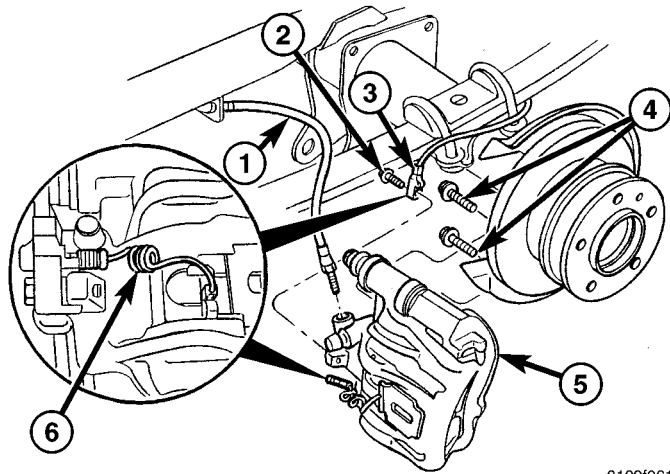
(4) Remove the wear indicator cable and the wear indicator (Fig. 11).

NOTE: Seal off the line ends and connection threads in the brake calipers with plugs. Also check brake hoses for signs of cracks.

(5) Remove the brake hose at the brake caliper (Fig. 11).

(6) Remove the brake caliper guide bolt (Fig. 11).

(7) Remove the brake caliper (Fig. 11).



8109f061

Fig. 11 REAR DISC BRAKE CALIPER

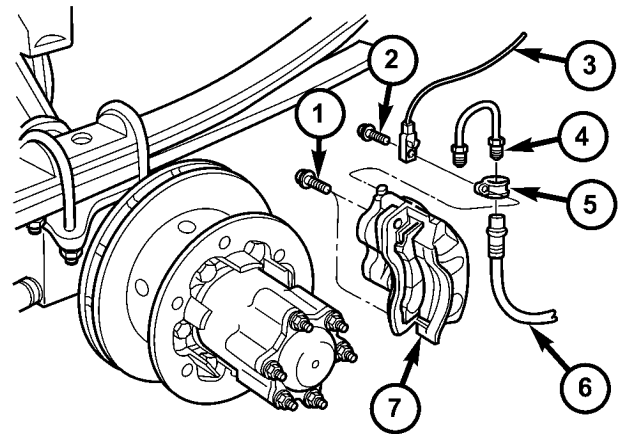
- 1 - BRAKE HOSE
- 2 - BANJO BOLT
- 3 - WEAR INDICATOR
- 4 - CALIPER ADAPTER BOLTS
- 5 - DISC BRAKE CALIPER
- 6 - WEAR INDICATOR

REMOVAL - REAR (DRW)

- (1) Unscrew the cap from the brake fluid reservoir.
- (2) Raise and support the vehicle.
- (3) Remove the rear wheels (Refer to 22 - TIRES/WHEELS/WHEELS - INSTALLATION).
- (4) Remove the wear indicator cable and the wear indicator (Fig. 12).

NOTE: Seal off the line ends and connection threads in the brake calipers with plugs. Also check brake hoses for signs of cracks.

- (5) Remove the brake hose at the brake caliper (Fig. 12).
- (6) Remove the brake caliper guide bolt (Fig. 12).
- (7) Remove the brake caliper (Fig. 12).



810ef55e

Fig. 12 REAR DISC BRAKE CALIPER WITH DUAL REAR WHEELS

- 1 - ADAPTER BOLT
- 2 - WEAR INDICATOR MOUNTING BOLT
- 3 - WEAR INDICATOR
- 4 - BRAKE LINE
- 5 - CLAMP
- 6 - BRAKE HOSE
- 7 - BRAKE CALIPER

INSTALLATION

INSTALLATION - FRONT (SRW)

- (1) Install the brake caliper to the brake caliper adapter (Fig. 9). Tighten the guide pins to 25 N·m (221 in. lbs.).

NOTE: Do not install the brake hose twisted and ensure freedom of movement.

- (2) Install the brake hose at the brake caliper (Fig. 9). Tighten the bolt to 14 N·m (124 in. lbs.).
- (3) Install the wear indicator cable and the wear indicator (Fig. 9). Tighten to 10 N·m (89 in. lbs.).
- (4) Bleed the brake system.
- (5) Check the brake system for any leaks.
- (6) Install the front wheels.
- (7) Lower the vehicle.

INSTALLATION - FRONT (DRW)

- (1) Install the brake caliper to the brake caliper adapter (Fig. 10). Tighten the guide pins to 25 N·m (221 in. lbs.)(M8 bolt) or Tighten the guide pins to 30 N·m (265 in. lbs.)(M10 10.9 bolt).

NOTE: Do not install the brake hose twisted and ensure freedom of movement.

- (2) Install the brake hose at the brake caliper (Fig. 10). Tighten the bolt to 14 N·m (124 in. lbs.).
- (3) Install the wear indicator cable and the wear indicator (Fig. 10). Tighten to 10 N·m (89 in. lbs.).
- (4) Bleed the brake system.
- (5) Check the brake system for any leaks.

- (6) Install the front wheels.
- (7) Lower the vehicle.

INSTALLATION - REAR (SRW)

(1) Install the brake caliper to brake caliper adapter (Fig. 11). Tighten the guide bolt to 25 N·m (221 in. lbs.) for M8 bolt or 30 N·m (266 in. lbs.) for M10 bolt.

NOTE: Do not install the brake hose twisted and ensure freedom of movement.

- (2) Install the brake hose at the brake caliper (Fig. 11). Tighten the bolt to 14 N·m (124 in. lbs.).
- (3) Install the wear indicator cable and the wear indicator (Fig. 11). Tighten to 10 N·m (89 in. lbs.).
- (4) Bleed the brake system.
- (5) Check the brake system for any leaks.
- (6) Install the rear wheels (Refer to 22 - TIRES/WHEELS/WHEELS - INSTALLATION).
- (7) Lower the vehicle.

INSTALLATION - REAR (DRW)

(1) Install the brake caliper to brake caliper adapter (Fig. 12). Tighten the guide bolt to 25 N·m (221 in. lbs.) for M8 bolt or 30 N·m (266 in. lbs.) for M10 bolt.

NOTE: Do not install the brake hose twisted and ensure freedom of movement.

- (2) Install the brake hose at the brake caliper (Fig. 12). Tighten the bolt to 14 N·m (124 in. lbs.).
- (3) Install the wear indicator cable and the wear indicator (Fig. 12). Tighten to 10 N·m (89 in. lbs.).
- (4) Bleed the brake system.
- (5) Check the brake system for any leaks.
- (6) Install the rear wheels (Refer to 22 - TIRES/WHEELS/WHEELS - INSTALLATION).
- (7) Lower the vehicle.

DISC BRAKE CALIPER ADAPTER

REMOVAL

REMOVAL - FRONT

- (1) Unscrew the cap from the brake fluid reservoir.
- (2) Raise and support the vehicle.
- (3) Remove the front wheels (Refer to 22 - TIRES/WHEELS/WHEELS - REMOVAL).
- (4) Remove the disc brake caliper from the caliper adapter (Refer to 5 - BRAKES/HYDRAULIC/MECHANICAL/DISC BRAKE CALIPERS - REMOVAL).

(5) Remove the disc brake pads (Refer to 5 - BRAKES/HYDRAULIC/MECHANICAL/BRAKE PADS/SHOES - REMOVAL).

- (6) Remove the disc brake caliper adapter.

REMOVAL - REAR

- (1) Unscrew the cap from the brake fluid reservoir.
- (2) Raise and support the vehicle.
- (3) Remove the rear wheels (Refer to 22 - TIRES/WHEELS/WHEELS - INSTALLATION).
- (4) Remove the disc brake caliper.
- (5) Remove the disc brake pads.
- (6) Remove the disc brake caliper adapter.

INSTALLATION

INSTALLATION - FRONT

- (1) Install the brake caliper adapter to the steering knuckle. Tighten to 170 N·m (125 ft. lbs.).
- (2) Install the disc brake shoes (Refer to 5 - BRAKES/HYDRAULIC/MECHANICAL/BRAKE PADS/SHOES - INSTALLATION).

NOTE: Do not install the brake hose twisted and ensure freedom of movement.

- (3) Install the disc brake caliper. Tighten the bolt to 14 N·m (124 in. lbs.) (Refer to 5 - BRAKES/HYDRAULIC/MECHANICAL/DISC BRAKE CALIPERS - INSTALLATION).
- (4) Install the front wheels (Refer to 22 - TIRES/WHEELS/WHEELS - INSTALLATION).
- (5) Lower the vehicle.

INSTALLATION - REAR

- (1) Install the brake caliper adapter to the axle mount. Tighten to 90 N·m (66 ft. lbs.) for M12X1.5 bolt or 170 N·m (125 ft. lbs.) for M14X1.5 bolt.
- (2) Install the disc brake pads (Refer to 5 - BRAKES/HYDRAULIC/MECHANICAL/BRAKE PADS/SHOES - INSTALLATION).

NOTE: Do not install the brake hose twisted and ensure freedom of movement.

- (3) Install the disc brake caliper (Refer to 5 - BRAKES/HYDRAULIC/MECHANICAL/DISC BRAKE CALIPERS - INSTALLATION).
- (4) Install the rear wheels (Refer to 22 - TIRES/WHEELS/WHEELS - INSTALLATION).
- (5) Lower the vehicle.

FLUID

DIAGNOSIS AND TESTING - BRAKE FLUID CONTAMINATION

Indications of fluid contamination are swollen or deteriorated rubber parts.

Swollen rubber parts indicate the presence of petroleum in the brake fluid.

To test for contamination, put a small amount of drained brake fluid in clear glass jar. If fluid separates into layers, there is mineral oil or other fluid contamination of the brake fluid.

If brake fluid is contaminated, drain and thoroughly flush system. Replace master cylinder, ALB Controller, caliper seals, Antilock Brakes hydraulic unit and all hydraulic fluid hoses.

STANDARD PROCEDURE - BRAKE FLUID LEVEL

Always clean the master cylinder reservoir and caps before checking fluid level. If not cleaned, dirt could enter the fluid.

The fluid fill level is indicated on the side of the master cylinder reservoir (Fig. 13).

The correct fluid level is to the MAX indicator on the side of the reservoir. If necessary, add fluid to the proper level. (Refer to LUBRICATION & MAINTENANCE/FLUID TYPES - DESCRIPTION).

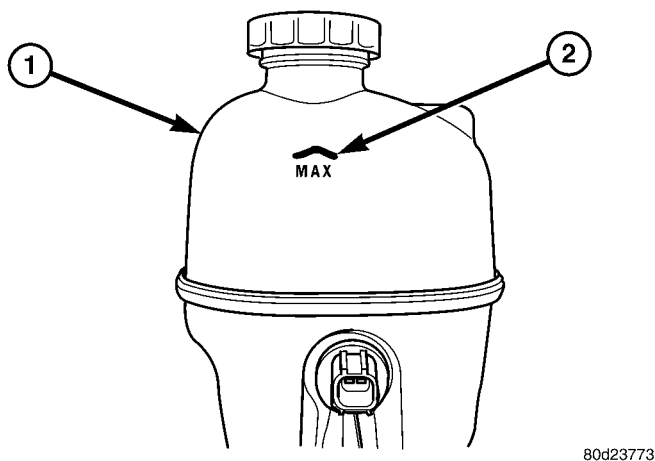


Fig. 13 FLUID LEVEL TYPICAL

- 1 - FLUID RESERVOIR
- 2 - MAX LEVEL MARK

SPECIFICATIONS

BRAKE FLUID

The brake fluid to be used in this vehicle must be approved to MB 331.0, such as MOPAR® part number 0459625AC. If the approved product is not available, use a DOT 4 brake fluid: minimum dry boiling point (ERBP) 500°F, minimum wet boiling point (WERBP) 356°F, maximum viscosity 1500 mm²/s,

conforming to FMVSS 116 and ISO 4925. No other type of brake fluid is recommended or approved for usage in the vehicle brake system. Use only approved brake fluid or an equivalent from a tightly sealed container.

Use brake fluid

CAUTION: Never use reclaimed brake fluid or fluid from an container which has been left open. An open container of brake fluid will absorb moisture from the air and contaminate the fluid.

CAUTION: Never use any type of a petroleum-based fluid in the brake hydraulic system. Use of such type fluids will result in seal damage of the vehicle brake hydraulic system causing a failure of the vehicle brake system. Petroleum based fluids would be items such as engine oil, transmission fluid, power steering fluid, etc.

FLUID RESERVOIR

REMOVAL

- (1) Using a suction gun remove as much brake fluid from the reservoir as possible (Fig. 14).
- (2) Disconnect the electrical connector for the brake fluid level indicator (Fig. 14).
- (3) Remove the fluid reservoir (Fig. 14). **Seal off the ends and bore holes with plugs.**

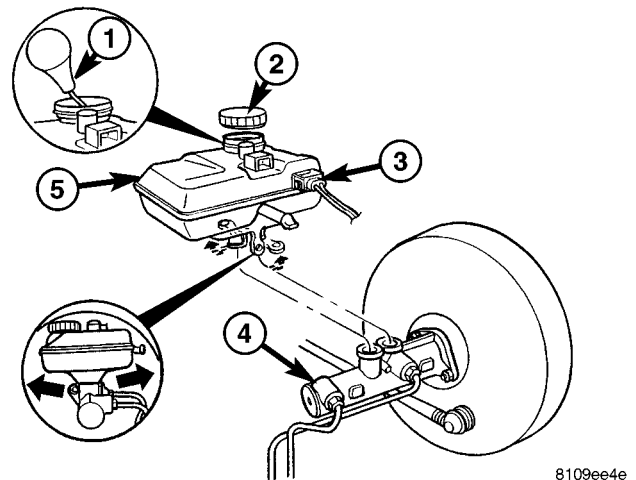


Fig. 14 FLUID RESERVOIR

- 1 - SUCTION GUN
- 2 - BRAKE FLUID CAP
- 3 - BRAKE FLUID LEVEL INDICATOR
- 4 - MASTER CYLINDER
- 5 - FLUID RESERVOIR

INSTALLATION

- (1) Install the fluid reservoir and fill with fluid (Fig. 14).
- (2) Bleed the brake system.

- (3) Check the brake system for any leaks.
- (4) Reconnect the electrical connector to the brake fluid level indicator (Fig. 14).

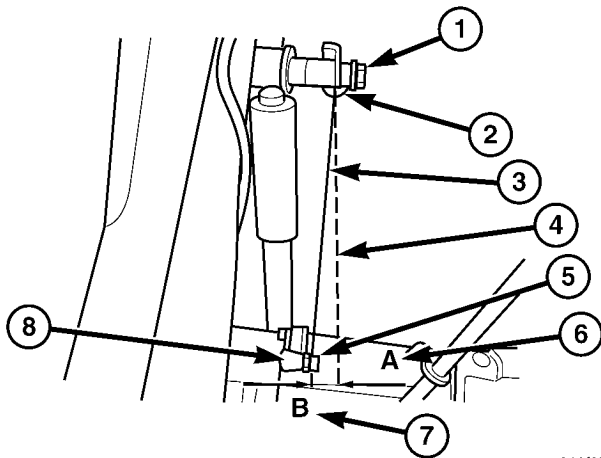
ALB LEVER

REMOVAL

- (1) Raise and support the vehicle.
- (2) Remove the retaining clip for the ALB lever (Fig. 15).
- (3) Remove the bolt for the lever at the axle (Fig. 15).
- (4) Remove the lever.

INSTALLATION

- (1) Install the lever to the vehicle.
- (2) Install the lower mounting bolt to the axle (Fig. 15).
- (3) Install the lever to the shock bolt and then install the clip (Fig. 15).
- (4) Check the side deflection of the ALB lever with a straight edge from Point-A to Point-B as the graphic shows. Max deflection play of the actuator rod should be no more than 15 mm (.60 in) (Fig. 15).
- (5) Lower the vehicle.



810f8b01

Fig. 15 ALB LEVER DEFLECTION

- 1 - CLIP
- 2 - SPRING
- 3 - LEVER
- 4 - STRIAIGHT EDGE
- 5 - NUT
- 6 - POINT -A
- 7 - POINT - B
- 8 - SUSPENSION POINT

ALB CONTROLLER

REMOVAL

- (1) Install the brake pedal rod to hold the brake pressure.
- (2) Raise and support the vehicle.

- (3) Remove the brake lines to the (automatic load-dependant brake pressure control) ALB controller.
- (4) Remove the adjusting nut and the spring from the ALB controller.
- (5) Remove the mounting bolts.
- (6) Remove the ALB controller.

INSTALLATION

- (1) Install the ALB controller to the vehicle.
- (2) Install the mounting bolts for the controller.
- (3) Install the brake lines. Tighten the lines to 16 N·m (142 in. lbs.)
- (4) Install the adjusting rod, nut and spring to the ALB controller.
- (5) Lower the vehicle.
- (6) Remove the brake pedal hold down rod.
- (7) Fill and bleed the brake system (Refer to 5 - BRAKES - STANDARD PROCEDURE).
- (8) Raise the vehicle and adjust the ALB controller (Refer to 5 - BRAKES/HYDRAULIC/MECHANICAL/ALB CONTROLLER - ADJUSTMENTS).
- (9) Lower the vehicle and test drive.

ADJUSTMENTS

ADJUSTMENT

- (1) Clean any debris away from the test ports caps at the ALB controller.
- (2) Connect brake adapters special tool 9297 to the test ports at the ALB controller.
- (3) Install a Pressure Gauge, Special Tool C-4007-A, to the adapters.
- (4) Tighten all tube nut fittings to 17 N·m (145 in. lbs.) torque.
- (5) Bleed any air out of the system. This includes bleeding the air from the hose between the pressure test fitting and pressure gauge, which is done at the pressure gauge.

NOTE: Adjustment is determined for the automatic load-dependent brake power control system according to the ALB plate. This is housed in the stowage compartment under the front passenger's door panel. The part number of the rear spring is stamped into the spring eye. This must correspond to the part number of the rear spring on the ALB plate.

- (6) To accurately adjust the rear axle load you must first determine the rear axle load by weighing the vehicle at a local scale.
- (7) Install the brake pedal winch Special tool 9296 between the brake pedal and the driver seat and slowly turn the dial until the specified inlet brake pressure is indicated at the gauge.

NOTE: The pressure gauge, connected at the ALB controller must indicate the outlet pressure which is assigned on the ALB plate to the rear axle load determined.

NOTE: If the rear axle load determined is between two figures indicated on the ALB plate, the outlet pressure should be determined accordingly.

- (8) If the pressure measured differs from the specification, adjust the ALB controller (Fig. 16).
- (9) Loosen the brake pedal winch.
- (10) Adjust the outlet pressure by turning the adjusting nut (Fig. 16) **To increase pressure - tighten the adjusting nut. To reduce pressure - loosen the adjusting nut.**
- (11) After adjustment reinstall the brake pedal winch and recheck the pressures and readjust if needed.
- (12) Tighten the lock adjusting nut.

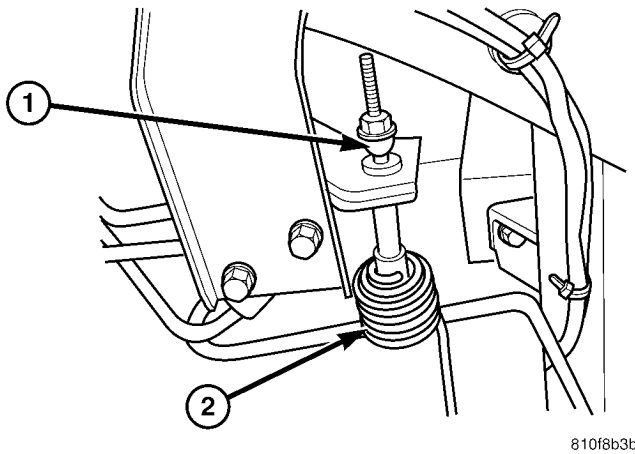


Fig. 16 ALB CONTROLLER ADJUSTER NUT

- 1 - ALB ADJUSTER NUT
- 2 - SPRING

MASTER CYLINDER

DIAGNOSIS AND TESTING - MASTER CYLINDER / POWER BOOSTER

- (1) Start engine and check booster vacuum hose connections. A hissing noise indicates vacuum leak. Correct any vacuum leak before proceeding.
- (2) Stop engine and shift transmission into Neutral.
- (3) Pump brake pedal until all vacuum reserve in booster is depleted.
- (4) Press and hold brake pedal under light foot pressure. The pedal should hold firm, if the pedal falls away master cylinder is faulty (internal leakage).
- (5) Start engine and note pedal action. It should fall away slightly under light foot pressure then hold

firm. If no pedal action is discernible, power booster, vacuum supply, or vacuum check valve is faulty. Proceed to the POWER BOOSTER VACUUM TEST.

(6) If the POWER BOOSTER VACUUM TEST passes, rebuild booster vacuum reserve as follows: Release brake pedal. Increase engine speed to 1500 rpm, close the throttle and immediately turn off ignition to stop engine.

(7) Wait a minimum of 90 seconds and try brake action again. Booster should provide two or more vacuum assisted pedal applications. If vacuum assist is not provided, booster is faulty.

POWER BOOSTER VACUUM TEST

- (1) Connect vacuum gauge to booster check valve with short length of hose and T-fitting (Fig. 17).
- (2) Start and run engine at curb idle speed for one minute.
- (3) Observe the vacuum supply. If vacuum supply is not adequate, repair vacuum supply.
- (4) Clamp hose shut between vacuum source and check valve.
- (5) Stop engine and observe vacuum gauge.
- (6) If vacuum drops more than one inch HG (33 millibars) within 15 seconds, booster diaphragm or check valve is faulty.

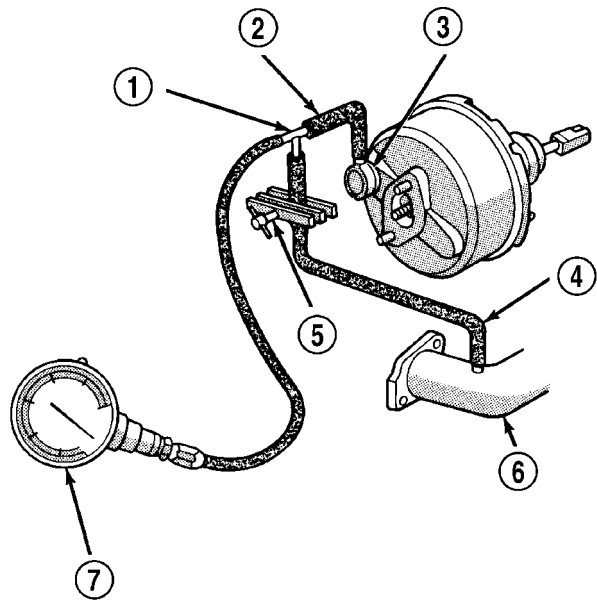


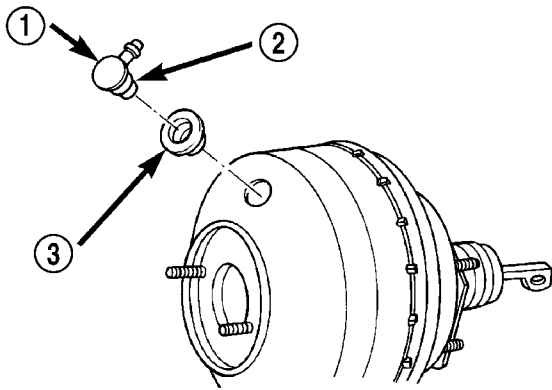
Fig. 17 Typical Booster Vacuum Test Connections

- 1 - TEE FITTING
- 2 - SHORT CONNECTING HOSE
- 3 - CHECK VALVE
- 4 - CHECK VALVE HOSE
- 5 - CLAMP TOOL
- 6 - INTAKE MANIFOLD
- 7 - VACUUM GAUGE

POWER BOOSTER CHECK VALVE TEST

- (1) Disconnect vacuum hose from check valve.
- (2) Remove check valve and valve seal from booster.

- (3) Use a hand operated vacuum pump for test.
- (4) Apply 15-20 inches vacuum at large end of check valve (Fig. 18).
- (5) Vacuum should hold steady. If gauge on pump indicates vacuum loss, check valve is faulty and should be replaced.



8031e866

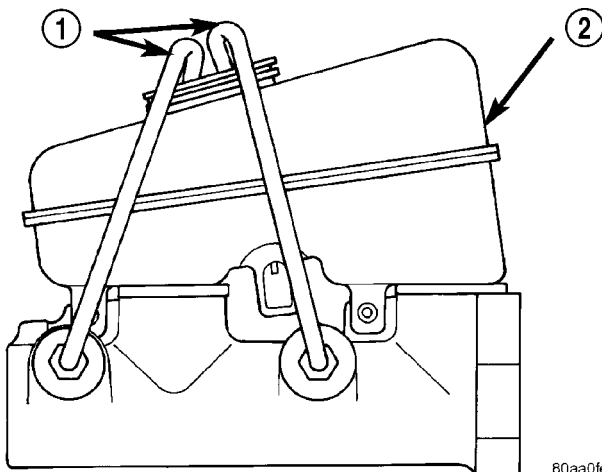
Fig. 18 Vacuum Check Valve And Seal

- 1 - BOOSTER CHECK VALVE
- 2 - APPLY TEST VACUUM HERE
- 3 - VALVE SEAL

STANDARD PROCEDURE - MASTER CYLINDER BLEEDING

A new master cylinder should be bled before installation on the vehicle. Required bleeding tools include bleed tubes and a wood dowel to stroke the pistons. Bleed tubes can be fabricated from brake line.

- (1) Mount master cylinder in vise.
- (2) Attach bleed tubes to cylinder outlet ports. Then position each tube end into reservoir (Fig. 19).
- (3) Fill reservoir with fresh brake fluid.
- (4) Press cylinder pistons inward with wood dowel. Then release pistons and allow them to return under spring pressure. Continue bleeding operations until air bubbles are no longer visible in fluid.



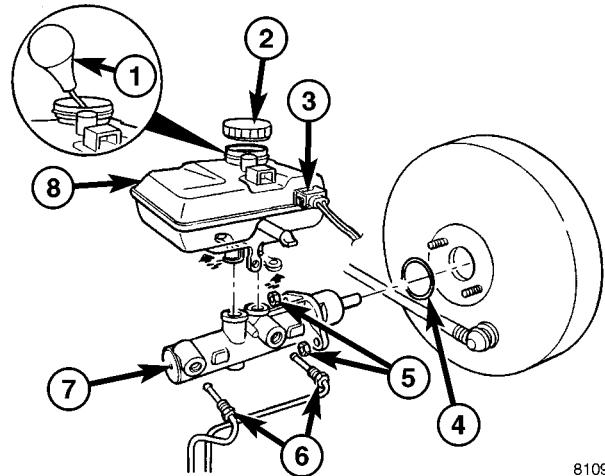
80aa0fe0

Fig. 19 Master Cylinder Bleeding-Typical

- 1 - BLEEDING TUBES
- 2 - RESERVOIR

REMOVAL

- (1) Using a suction gun remove as much brake fluid from the reservoir as possible (Fig. 20).
- (2) Remove the fluid reservoir (Fig. 20) or (Fig. 21) (Refer to 5 - BRAKES/HYDRAULIC/MECHANICAL/FLUID RESERVOIR - REMOVAL).
- (3) Remove the brake lines **Seal off the ends and bore holes with plugs.** (Fig. 20) or (Fig. 21)
- (4) Remove the master cylinder mounting nuts (Fig. 20) or (Fig. 21). **Check brake booster for damage due to leaking master cylinder. It is not possible to repair the master cylinder.**



8109ee64

Fig. 20 MASTER CYLINDER

- 1 - SUCTION GUN
- 2 - BRAKE FLUID CAP
- 3 - BRAKE FLUID LEVEL INDICATOR
- 4 - O-RING
- 5 - NUT
- 6 - BRAKE LINE
- 7 - MASTER CYLINDER
- 8 - FLUID RESERVOIR

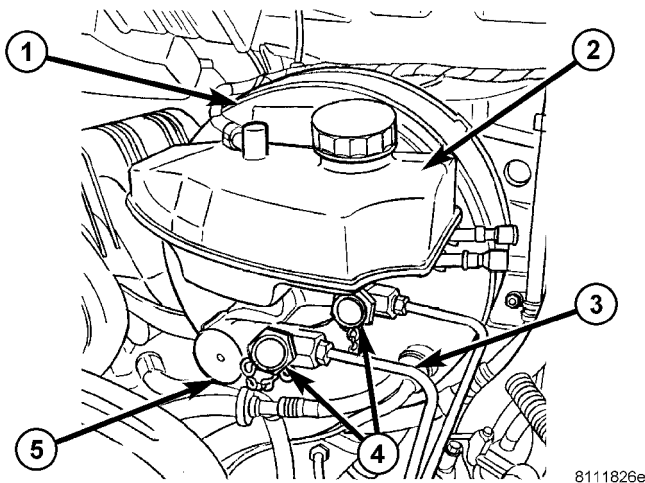


Fig. 21 MASTER CYLINDER (DRW)

- 1 - POWER BRAKE BOOSTER
- 2 - RESERVOIR
- 3 - BRAKE LINES
- 4 - PRESSURE PORTS
- 5 - MASTER CYLINDER

INSTALLATION

- (1) Install the master cylinder to the brake booster (Fig. 20). Tighten to 28 N·m (248 in. lbs.).
- (2) Install the brake lines (Fig. 20). Tighten to 14 N·m (124 in. lbs.).
- (3) Install the fluid reservoir (Fig. 20) (Refer to 5 - BRAKES/HYDRAULIC/MECHANICAL/FLUID RESERVOIR - INSTALLATION).
- (4) Bleed the brake system.
- (5) Check the brake system for any leaks.

PEDAL

REMOVAL

- (1) Remove the master cylinder (Refer to 5 - BRAKES/HYDRAULIC/MECHANICAL/MASTER CYLINDER - REMOVAL).
- (2) Remove the retainer and pin for the master cylinder push rod (Fig. 22).
- (3) Remove the retainer and pin for the brake pedal pivot bolt (Fig. 22).
- (4) Unhook the spring and remove the brake pedal (Fig. 22).
- (5) Disconnect the plug connector on the stop lamp switch (Fig. 22).
- (6) Remove the bolts and remove the pedal bearing bracket (Fig. 22).

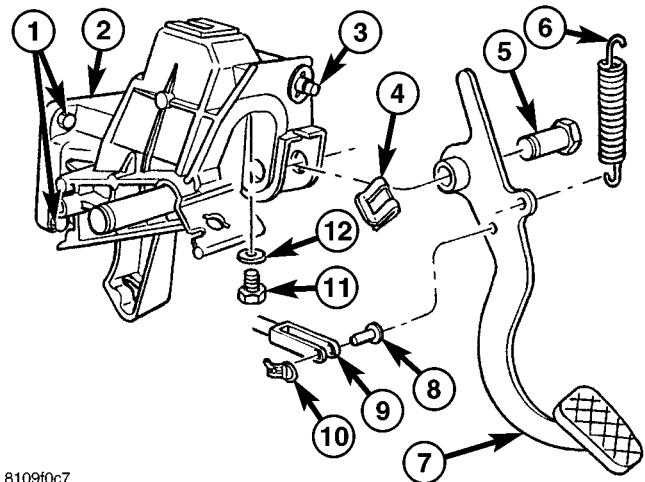


Fig. 22 BRAKE PEDAL

- 1 - MOUNTING BOLT
- 2 - PEDAL BEARING BRACKET
- 3 - STOP LAMP SWITCH
- 4 - CLIP
- 5 - PIVOT BOLT
- 6 - RETURN SPRING
- 7 - PEDAL
- 8 - PUSH ROD BOLT
- 9 - PUSH ROD
- 10 - CLIP
- 11 - BOLT
- 12 - WASHER

INSTALLATION

- (1) Install the bolts for the pedal bearing bracket (Fig. 22). Tighten to 23 N·m (204 in. lbs.).
- (2) Reconnect the plug connector for the stop lamp switch (Fig. 22).
- (3) Install the brake pedal and hook the spring (Fig. 22).
- (4) Install the retainer and pin for the brake pedal (Fig. 22).
- (5) Install the retainer and pin for the master cylinder push rod (Fig. 22).
- (6) Install the master cylinder (Refer to 5 - BRAKES/HYDRAULIC/MECHANICAL/MASTER CYLINDER - INSTALLATION).

POWER BRAKE BOOSTER

DESCRIPTION

All models use a tandem diaphragm, power brake booster.

NOTE: The power brake booster is not a repairable component. The booster must be replaced as an assembly if diagnosis indicates a malfunction has occurred.

OPERATION

The booster unit consists of a single housing divided into two by a tandem diaphragm. The outer

edge of the diaphragm is secured to the housing. The booster push rod, which connects the booster to the brake pedal and master cylinder, is attached to the center of the diaphragm. A check valve is used in the booster outlet connected to the engine intake manifold. Power assist is generated by utilizing a combination of vacuum and atmospheric pressure to boost brake assist.

REMOVAL

- (1) Using a suction gun remove as much brake fluid from the reservoir as possible.
- (2) Disconnect the brake level switch electrical connector.
- (3) Remove the brake lines from the master cylinder. **Seal off the ends and bore holes with plugs.**
- (4) Remove the master cylinder from the booster.
- (5) Remove the booster vacuum hose and check valve (Fig. 23).
- (6) Remove the pedal push rod clip (Fig. 23).
- (7) Remove the booster mounting nuts (Fig. 23).
- (8) Remove the booster from the vehicle.

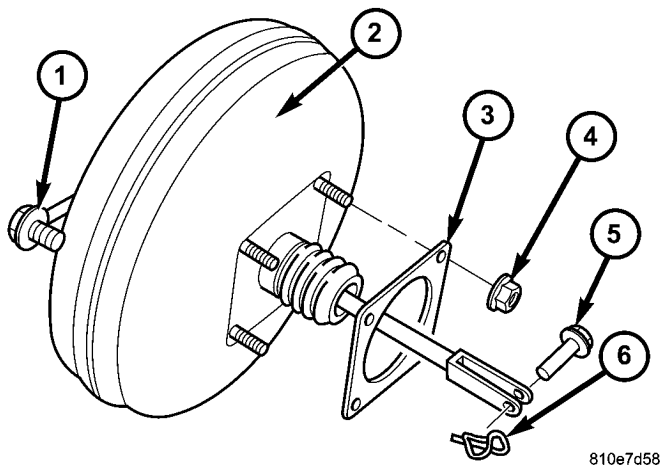


Fig. 23 POWER BRAKE BOOSTER

- 1 - VACUUM LINE & CHECK VALVE
- 2 - BRAKE BOOSTER
- 3 - GASKET
- 4 - MOUNTING NUTS (4)
- 5 - PUSH ROD PIN
- 6 - SECURING CLIP

INSTALLATION

- (1) Install the brake booster to the vehicle.
- (2) Install the booster mounting nuts (Fig. 23). Tighten to 25 N·m (221 in.lbs.).
- (3) Install the push rod pin & clip (Fig. 23).
- (4) Install the brake booster vacuum line and check valve (Fig. 23).
- (5) Install the master cylinder to the brake booster. Tighten to 28 N·m (248 in.lbs.).
- (6) Install the brake lines to the master cylinder. Tighten to 14 N·m (124 in.lbs.).
- (7) Install the brake level switch electrical connector.

- (8) Bleed the base brake system (Refer to 5 - BRAKES - STANDARD PROCEDURE).

ROTORS

REMOVAL

REMOVAL - FRONT (SRW)

- (1) Raise and support the vehicle.
- (2) Remove the front wheels.
- (3) Remove the front brake pads (Fig. 24).
- (4) Remove the caliper adapter (Fig. 24).
- (5) Install two lug studs to secure the disc brake rotor when the locking bolt is removed.
- (6) Remove the locking bolt for the disc brake rotor (Fig. 24).
- (7) Remove the two lug nuts.
- (8) Remove the disc brake rotor (Fig. 24).

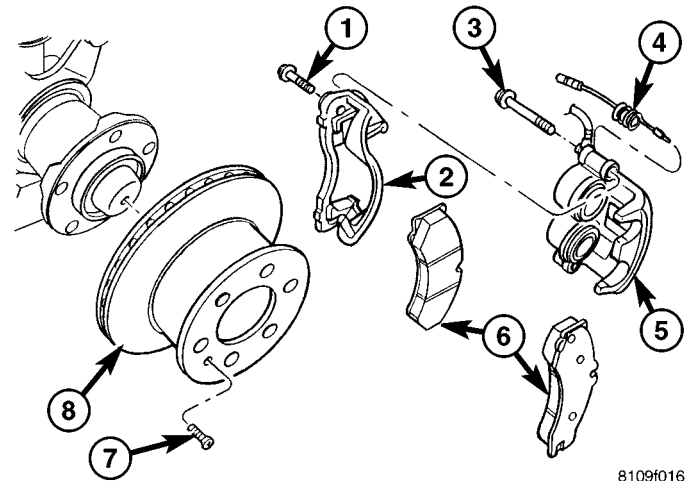


Fig. 24 FRONT DISC BRAKE ROTOR

- 1 - CALIPER ADAPTER BOLT
- 2 - CALIPER ADAPTER
- 3 - GUIDE BOLT
- 4 - WEAR INDICATOR
- 5 - DISC BRAKE CALIPER
- 6 - DISC BRAKE PADS
- 7 - LOCKING BOLT
- 8 - DISC BRAKE ROTOR

REMOVAL - REAR (SRW)

- (1) Raise and support the vehicle.
- (2) Remove the rear wheels.
- (3) Remove the rear disc brake pads (Fig. 25).
- (4) Remove the disc brake caliper adapter (Fig. 25).
- (5) Apply the parking brake.
- (6) Install two lug studs to secure the disc brake rotor when the locking bolt is removed.
- (7) Remove the locking bolt for the disc brake rotor (Fig. 25).
- (8) Remove the two lug nuts.
- (9) Release the parking brake.

(10) loosen the park brake adjuster to allow clearance for the rotor removal (Fig. 25).

(11) Remove the rear disc brake rotor.

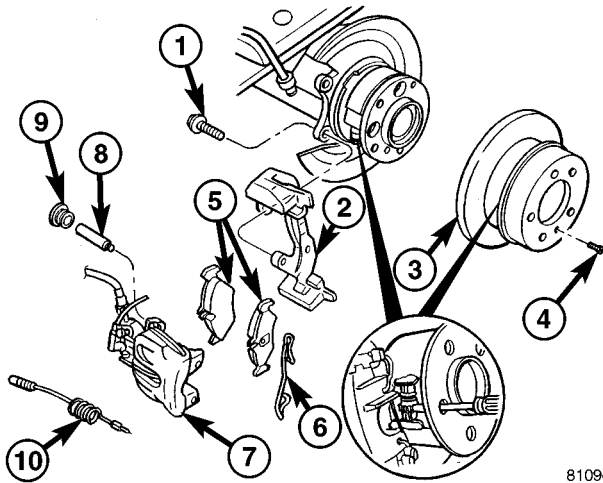


Fig. 25 REAR DISC BRAKE ROTOR

- 1 - M8 BOLT
- 2 - CALIPER ADAPTER
- 3 - DISC BRAKE ROTOR
- 4 - LOCKING BOLT
- 5 - DISC BRAKE PADS
- 6 - RATTLE SPRING
- 7 - DISC BRAKE CALIPER
- 8 - GUIDE BOLT
- 9 - COVER
- 10 - WEAR INDICATOR

REMOVAL - FRONT (DRW)

- (1) Raise and support the vehicle.
- (2) Remove the front wheels.
- (3) Remove the front brake pads (Fig. 26).
- (4) Remove the caliper adapter (Fig. 26).
- (5) Remove the wheel flange ring (Fig. 26).
- (6) Install two lug studs to secure the disc brake rotor when the locking bolt is removed.
- (7) Remove the locking bolt for the disc brake rotor (Fig. 26).
- (8) Remove the two lug nuts.
- (9) Remove the disc brake rotor (Fig. 26).

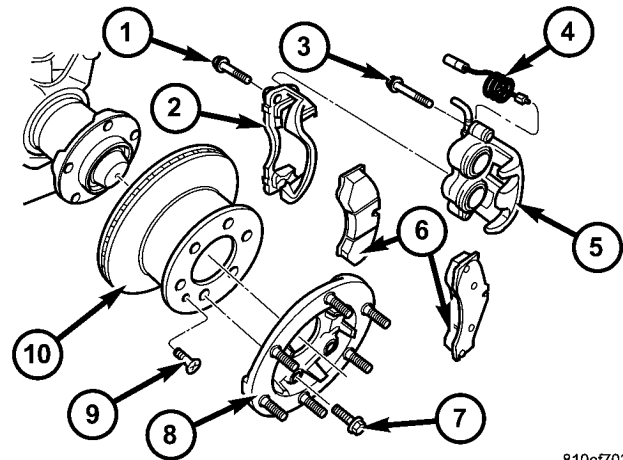


Fig. 26 FRONT DISC BRAKE ROTOR WITH DUAL REAR WHEELS

- 1 - ADAPTER BOLT
- 2 - ADAPTER
- 3 - GUIDE PIN/BOLT
- 4 - WEAR INDICATOR WIRE
- 5 - DISC BRAKE CALIPER
- 6 - DISC BRAKE PADS
- 7 - WHEEL FLANGE RING MOUNTING BOLT
- 8 - WHEEL FLANGE RING
- 9 - LOCKING BOLT
- 10 - DISC BRAKE ROTOR

REMOVAL - REAR (DRW)

- (1) Raise and support the vehicle.
- (2) Remove the rear wheels.
- (3) Remove the rear disc brake pads (Fig. 27).
- (4) Remove the disc brake caliper adapter (Fig. 27).
- (5) Apply the parking brake.
- (6) Install two lug studs to secure the disc brake rotor when the locking bolt is removed.
- (7) Remove the wheel flange ring (Fig. 27).
- (8) Remove the locking bolt for the disc brake rotor (Fig. 27).
- (9) Remove the two lug nuts.
- (10) Release the parking brake.
- (11) loosen the park brake adjuster to allow clearance for the rotor removal (Fig. 27).
- (12) Remove the rear disc brake rotor.

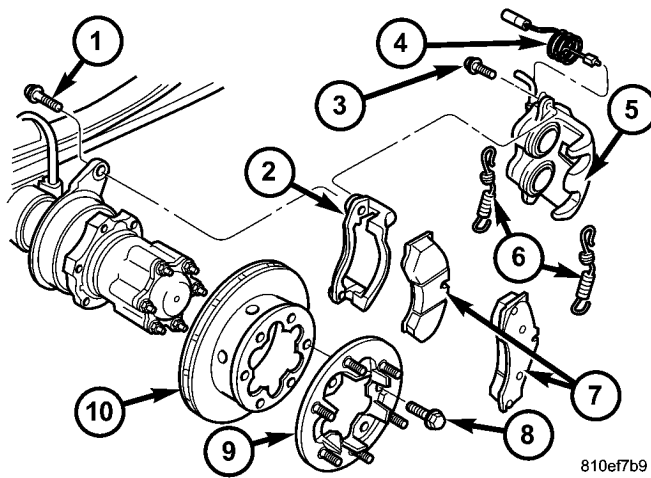


Fig. 27 REAR DISC BRAKE ROTOR WITH DUAL REAR WHEELS

- 1 - ADAPTER BOLT
- 2 - ADAPTER
- 3 - GUIDE PIN/BOLT
- 4 - WEAR INDICATOR
- 5 - DISC BRAKE CALIPER
- 6 - RETAINING SPRING
- 7 - DISC BRAKE PADS
- 8 - WHEEL FLANGE RING MOUNTING BOLT
- 9 - WHEEL FLANGE RING
- 10 - DISC BRAKE ROTOR

INSTALLATION

INSTALLATION - FRONT (SRW)

- (1) Install the disc brake rotor to the hub and install two lug studs to hold rotor in place.
- (2) Install the locking bolt for the rotor (Fig. 24). Tighten to 23 N·m (204 in. lbs.).
- (3) Install the disc brake caliper adapter (Fig. 24). Tighten to 170 N·m (125 ft. lbs.) (Refer to 5 - BRAKES/HYDRAULIC/MECHANICAL/DISC BRAKE CALIPER ADAPTER - INSTALLATION).
- (4) Install the brake pads (Refer to 5 - BRAKES/HYDRAULIC/MECHANICAL/BRAKE PADS/SHOES - INSTALLATION) (Fig. 24).
- (5) Press and release the brake pedal several times until pressure has built up.
- (6) Check fluid in reservoir and correct if necessary.
- (7) Install the front wheels (Refer to 22 - TIRES/WHEELS/WHEELS - INSTALLATION).
- (8) Lower the vehicle.

INSTALLATION - REAR (SRW)

- (1) Install the disc brake rotor to the hub and install two lug studs to hold rotor in place (Fig. 25).
- (2) Apply the parking brake.
- (3) Install the locking bolt for the rotor (Fig. 25). Tighten to 23 N·m (204 in. lbs.).
- (4) Install the disc brake caliper adapter (Fig. 25). Tighten to 90 N·m (66 ft. lbs.) (Refer to 5 - BRAKES/

HYDRAULIC/MECHANICAL/DISC BRAKE CALIPER ADAPTER - INSTALLATION).

(5) Install the brake pads (Refer to 5 - BRAKES/HYDRAULIC/MECHANICAL/BRAKE PADS/SHOES - INSTALLATION) (Fig. 25).

(6) Release the parking brake.

(7) Adjust the parking brake (Refer to 5 - BRAKES/PARKING BRAKE/SHOES - ADJUSTMENTS).

(8) Press and release the brake pedal several times until pressure has built up.

(9) Check fluid in reservoir and correct if necessary.

(10) Install the rear wheels.

(11) Lower the vehicle.

INSTALLATION - FRONT (DRW)

- (1) Install the disc brake rotor to the hub and install two lug studs to hold rotor in place.
- (2) Install the locking bolt for the rotor (Fig. 26). Tighten to 23 N·m (204 in. lbs.).
- (3) Install the disc brake caliper adapter (Fig. 26). Tighten to 170 N·m (125 ft. lbs.) (Refer to 5 - BRAKES/HYDRAULIC/MECHANICAL/DISC BRAKE CALIPER ADAPTER - INSTALLATION).
- (4) Install the wheel flange ring. Tighten to 180 N·m (133 ft. lbs.).
- (5) Install the brake pads (Refer to 5 - BRAKES/HYDRAULIC/MECHANICAL/BRAKE PADS/SHOES - INSTALLATION) (Fig. 26).
- (6) Press and release the brake pedal several times until pressure has built up.
- (7) Check fluid in reservoir and correct if necessary.
- (8) Install the front wheels (Refer to 22 - TIRES/WHEELS/WHEELS - INSTALLATION).
- (9) Lower the vehicle.

INSTALLATION - REAR (DRW)

- (1) Install the disc brake rotor to the hub and install two lug studs to hold rotor in place (Fig. 27).
- (2) Apply the parking brake.
- (3) Install the locking bolt for the rotor (Fig. 27). Tighten to 23 N·m (204 in. lbs.).
- (4) Install the disc brake caliper adapter (Fig. 27). Tighten to 170 N·m (125 ft. lbs.) (Refer to 5 - BRAKES/HYDRAULIC/MECHANICAL/DISC BRAKE CALIPER ADAPTER - INSTALLATION).
- (5) Install the wheel flange ring (Fig. 27) Tighten to 200 N·m (148 ft. lbs.).
- (6) Install the brake pads (Refer to 5 - BRAKES/HYDRAULIC/MECHANICAL/BRAKE PADS/SHOES - INSTALLATION) (Fig. 27).
- (7) Release the parking brake.
- (8) Adjust the parking brake (Refer to 5 - BRAKES/PARKING BRAKE/SHOES - ADJUSTMENTS).

- (9) Press and release the brake pedal several times until pressure has built up.
- (10) Check fluid in reservoir and correct if necessary.
- (11) Install the rear wheels.
- (12) Lower the vehicle.

SUPPORT PLATE

REMOVAL - REAR

- (1) Raise and support the vehicle.
- (2) Remove the disc brake caliper adapter (Refer to 5 - BRAKES/HYDRAULIC/MECHANICAL/DISC BRAKE CALIPER ADAPTER - REMOVAL).
- (3) Remove the disc brake rotor (Refer to 5 - BRAKES/HYDRAULIC/MECHANICAL/ROTORS - REMOVAL).
- (4) Remove the rear park brake shoes (Refer to 5 - BRAKES/PARKING BRAKE/SHOES - REMOVAL).
- (5) Remove the park brake cable from the support plate.
- (6) Remove the rear axle bearing (Refer to 3 - DIFFERENTIAL & DRIVELINE/REAR AXLE/AXLE BEARINGS - REMOVAL).

PARKING BRAKE

SPECIFICATIONS

TORQUE CHART

TORQUE SPECIFICATIONS

DESCRIPTION	N·m	Ft. Lbs.	In. Lbs.
Pressure Transformer Unit For Brake Cables To Frame Crossmember	25	—	221
Hand Brake Lever To Seat Frame	25	—	221

- (7) Remove brake support plate.

INSTALLATION - REAR

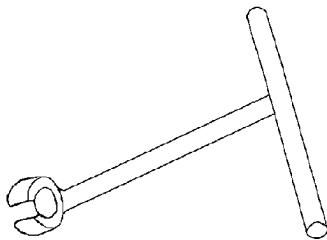
- (1) Press the brake support plate with the axle bearing onto the axle shaft (Refer to 3 - DIFFERENTIAL & DRIVELINE/REAR AXLE/AXLE BEARINGS - INSTALLATION).
- (2) Install the park brake cable to the support plate.
- (3) Install the rear park brake shoes (Refer to 5 - BRAKES/PARKING BRAKE/SHOES - INSTALLATION).
- (4) Install the disc brake rotor (Refer to 5 - BRAKES/HYDRAULIC/MECHANICAL/ROTORS - INSTALLATION).
- (5) Install the disc brake caliper adapter (Refer to 5 - BRAKES/HYDRAULIC/MECHANICAL/DISC BRAKE CALIPER ADAPTER - INSTALLATION).
- (6) Adjust the rear park brake shoes (Refer to 5 - BRAKES/PARKING BRAKE/SHOES - ADJUSTMENTS).
- (7) Install the rear wheels (Refer to 22 - TIRES/WHEELS/WHEELS - INSTALLATION).

SPECIAL TOOLS

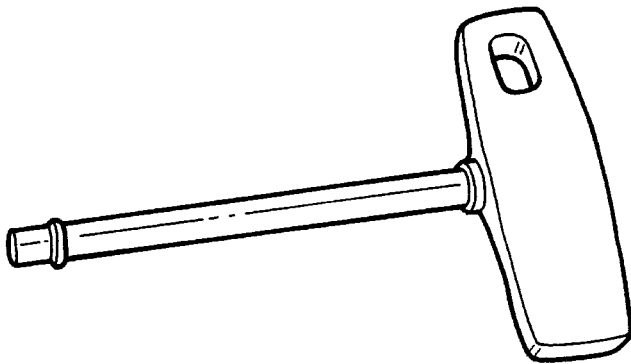
PARK BRAKE

SPECIAL TOOL CROSS REFERENCE CHART

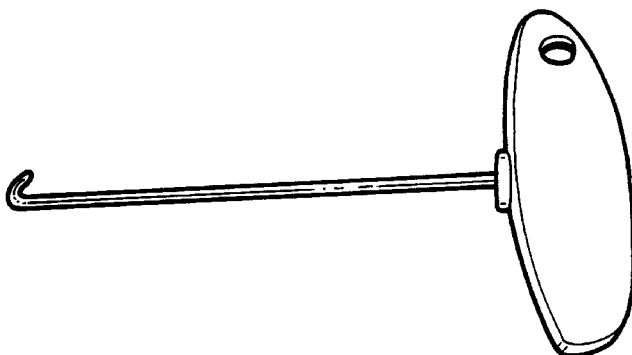
MB TOOL #	MILLER TOOL #	DESCRIPTION
116 589 01 62 00	9280	RETURN SPRING PULL- ING HOOK
112 589 09 61 00	9281	RETAINING SPRING TOOL
901 589 00 63 00	9289	RETAINING CLIP RE- LEASE TOOL



RETAINING CLIP RELEASE TOOL - 9289



RETAINING SPRING TOOL - 9281



RETURN SPRING PULLING HOOK - 9280

CABLE TENSIONER

REMOVAL

NOTE: Observe the installation position of the brake control cable lock, for a reference on installation.

- (1) Open the brake control cable lock (Fig. 28).
- (2) Press out the safety bolt and remove the brake control cable lock (Fig. 28).

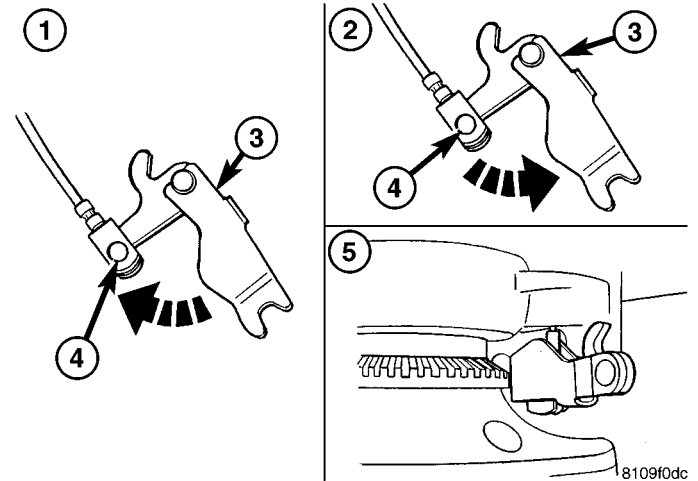


Fig. 28 CONTROL CABLE LOCK

- 1 - BRAKE CABLE CONTROL LOCK OPEN
- 2 - BRAKE CABLE CONTROL LOCK CLOSED
- 3 - BRAKE CONTROL CABLE LOCK
- 4 - SAFETY BOLT
- 5 - INSTALLATION POSITION OF BRAKE CONTROL CABLE LOCK

INSTALLATION

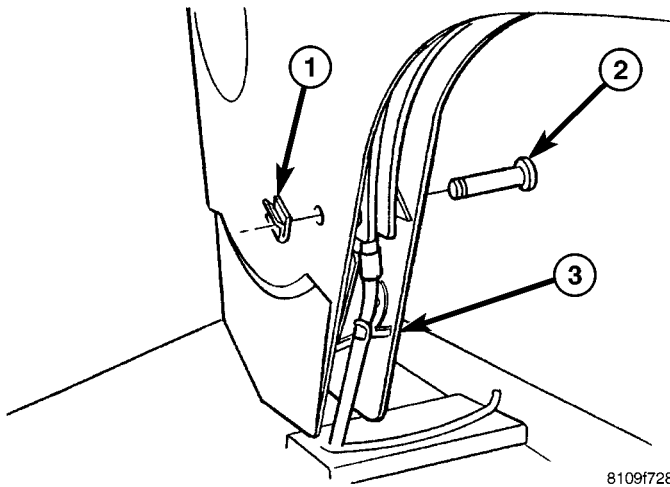
- (1) Push the brake control cable lock onto the brake cable (Fig. 28).
- (2) Insert the safety bolt and snap shut the brake control cable lock. **Observe the installation position of the brake control cable lock (Fig. 28).**

CABLES

REMOVAL

REMOVAL - FRONT

- (1) Raise and support the vehicle.
- (2) Disconnect the front park brake cable from the pulley unit.
- (3) Remove the front park brake cable from the hand brake lever (Fig. 29).



8109f728

Fig. 29 FRONT PARK BRAKE CABLE AT LEVER

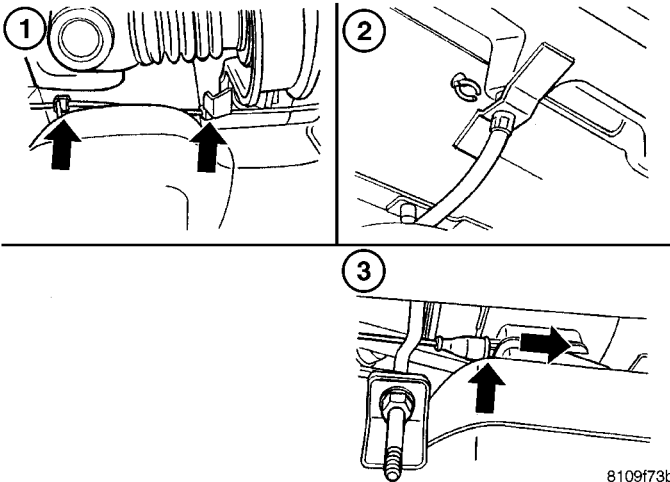
- 1 - LOCKING CLIP
- 2 - LOCKING PIN
- 3 - CABLE STRAP

(4) Unclip the guides at the frame cross members for the front cable at the vehicle (Fig. 30).

(5) Pull off the locking clips at the floor opening and pull the front brake cable down and out (Fig. 30).

(6) Press together the locking ring and pull out the front brake cable to the front (Fig. 30).

(7) Remove the front park brake cable at the vehicle using special tool 9289.



8109f73b

Fig. 30 REMOVING FRONT PARK BRAKE CABLE AT THE VEHICLE

- 1 - UNCLIP CABLE GUIDES
- 2 - LOCKING CLIP
- 3 - LOCKING RING PRESSED TOGETHER

REMOVAL - REAR

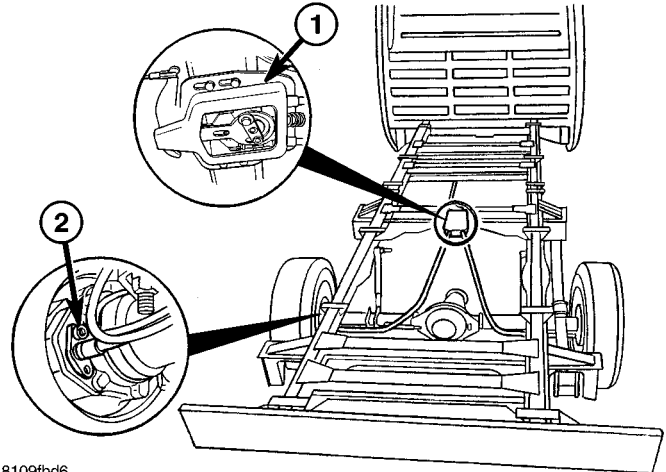
- (1) Raise and support the vehicle.
- (2) Remove the rear tires.
- (3) Remove the park brake shoes.
- (4) Remove the park brake cables from the shoe (Fig. 31).

(5) Remove all the connections on the hand brake cable (Fig. 31).

(6) Remove the park brake cable lock (Fig. 31). **Observe the installed position of the brake cable lock for reference on installation.**

(7) Remove the hand brake cable from the anchor plate (Fig. 31).

(8) Remove the park brake cable from the vehicle. **Compress the locking ring on the pulley unit.**



8109fbd6

Fig. 31 REAR PARK BRAKE CABLE REMOVE / INSTALL

- 1 - PARK BRAKE ADJUSTER
- 2 - PARK BRAKE CABLE MOUNTING

INSTALLATION

INSTALLATION - FRONT

(1) Install the front park brake cable to the vehicle.

(2) Clip the cable guides at the frame cross members (Fig. 32).

(3) Install the front park brake cable to the hand brake lever (Fig. 29).

(4) Reconnect the front park brake cable to the pulley unit (Fig. 32).

(5) Adjust the parking park.

(6) Lower the vehicle.

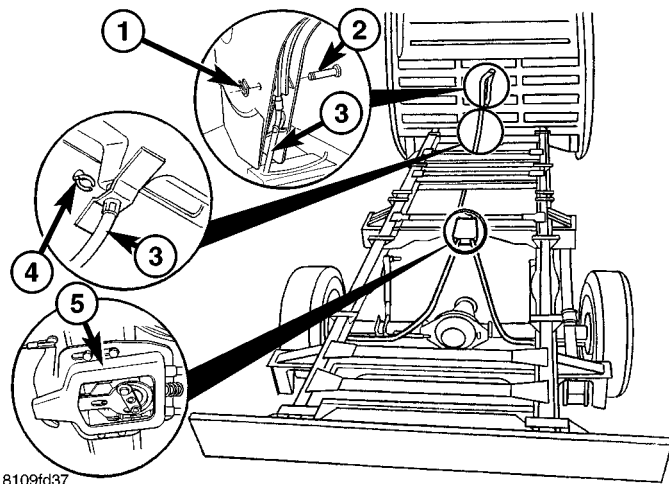


Fig. 32 FRONT PARK BRAKE CABLE

- 1 - RETAINING CLIP
- 2 - LOCKING PIN
- 3 - FRONT PARK BRAKE CABLE
- 4 - RETAINING CLIP
- 5 - PARK BRAKE CABLE ADJUSTER

INSTALLATION - REAR

NOTE: Route the park brake cable free of tension and the risk of chafing.

- (1) Install the hand brake cable to the anchor plate (Fig. 31).
- (2) Install the park brake cable lock (Fig. 31).
- (3) Install all connections on the hardware cable (Fig. 31).
- (4) Install the park brake cables to the shoe (Fig. 31).
- (5) Install the park brake shoes.
- (6) Install the rear wheels.
- (7) Adjust the park brakes.
- (8) Lower the vehicle.

ADJUSTMENTS

ADJUSTMENT - PARKING BRAKE CABLES

- (1) Loosen the bolts of the mounting brackets (Fig. 33).
- (2) Insert a drill bit or an allen wrench with a 6 mm diameter between the mounting bracket and front lever (Fig. 33).
- (3) Push the mounting bracket back until the front brake cable is free of play and without tension (Fig. 33).
- (4) Tighten the bolts to the mounting bracket. Tighten to 25 N·m (221 in. lbs.) (Fig. 33).
- (5) Remove the 6 mm diameter drill bit or allen wrench (Fig. 33).
- (6) Tighten the hand brake lever one notch (Fig. 33).

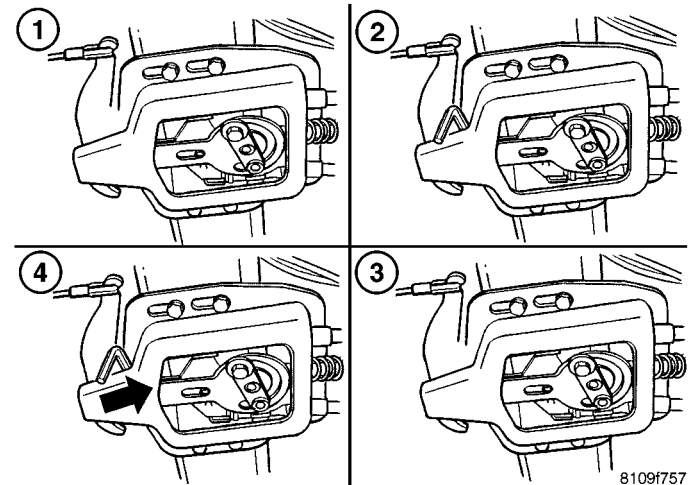


Fig. 33 PARK BRAKE ADJUSTER

- 1 - LOOSEN MOUNTING BOLTS
- 2 - 6 mm ALLEN WRENCH
- 3 - MOUNTING BOLTS TIGHTENED
- 4 - FREEPLAY WITH NO TENSION

(7) Clamp the eccentric clockwise until the wheels/disc brake rotors can still be turned with the force of the hand (Fig. 34).

(8) Tighten the clamp bolt (Fig. 34).

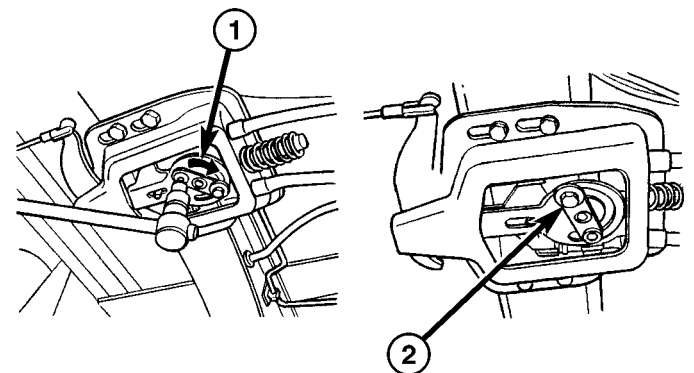


Fig. 34 PARK BRAKE ADJUSTMENT

- 1 - ECCENTRIC CLOCKWISE
- 2 - CLAMP SCREW TIGHTENED

- (9) Release the hand brake lever.
- (10) Check the wheel for free movement.

LEVER

REMOVAL

- (1) Disconnect the front brake cable from the pulley unit.
- (2) Remove the front brake cable from the hand brake lever (Fig. 29).
- (3) Remove the circle cover (Fig. 35).

- (4) Remove the bolts on the hand brake lever (Fig. 35).
- (5) Pull the cover off the hand brake lever (Fig. 35).
- (6) Disconnect the hand brake check switch and wiring harness from the hand brake lever (Fig. 35).
- (7) Remove the hand brake lever (Fig. 35).

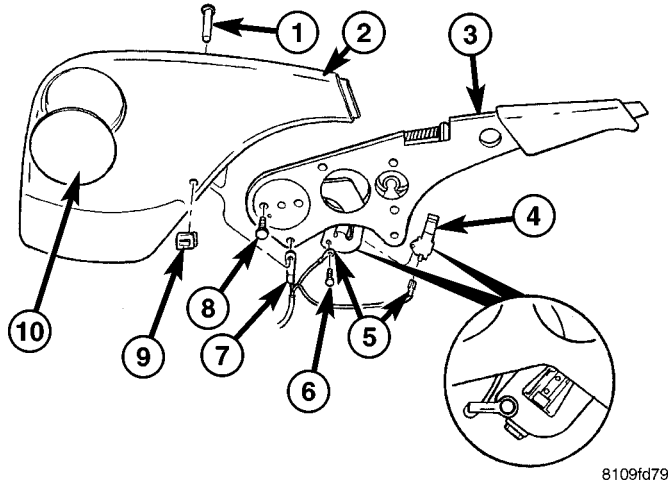


Fig. 35 HAND BRAKE LEVER

- 1 - LOCKING PIN
- 2 - COVER
- 3 - HAND BRAKE LEVER
- 4 - HAND BRAKE CHECK SWITCH
- 5 - WIRING HARNESS
- 6 - BOLT
- 7 - HAND BRAKE CABLE
- 8 - BOLT
- 9 - RETAINING CLIP
- 10 - CIRCLE COVER

INSTALLATION

- (1) Install the hand brake lever (Fig. 35).
- (2) Reconnect the hand brake check switch and the wiring harness to the hand brake lever (Fig. 35).
- (3) Install the cover to the hand brake lever (Fig. 35).
- (4) Install the bolts on the hand brake lever. Tighten to 25 N-m (221 in. lbs.) (Fig. 35).
- (5) Install the circle cover (Fig. 35).
- (6) Install the front brake cable to the hand brake lever.
- (7) Connect the front brake cable to the pulley unit (Fig. 35).

SHOES

REMOVAL

REMOVAL - (SRW)

- (1) Raise and support the vehicle.
- (2) Remove the rear wheels.
- (3) Remove the disc brake rotor.

- (4) Disconnect the front park brake cable from the pulley unit. **Do not remove the rear park brake cables.**

- (5) Remove the retracting springs using special tool 9280 (Fig. 36).
- (6) Remove the adjuster (Fig. 36).
- (7) Remove the pressure springs using special tool 9281 (Fig. 36).
- (8) Remove the rear park brake shoes (Fig. 36). **Pull the park brake shoes apart at the bottom and remove them together with the adjuster.**

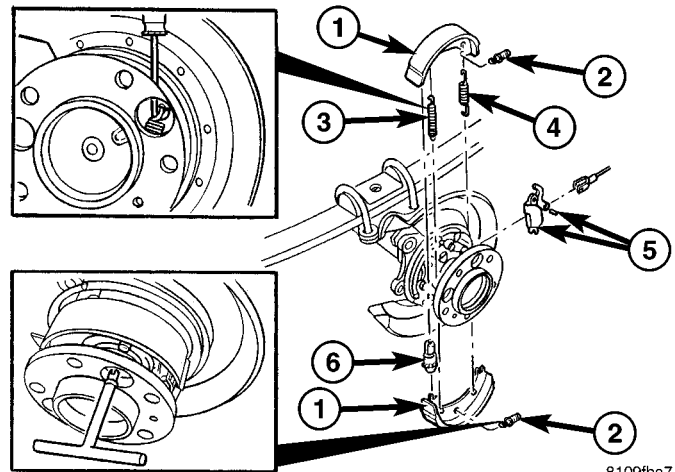


Fig. 36 PARK BRAKE SHOES

- 1 - PARK BRAKE SHOES
- 2 - PRESSURE SPRING
- 3 - RETRACTING SPRING (SHORT HOOK EYE)
- 4 - RETRACTING SPRING (LONG HOOK EYE)
- 5 - CABLE LOCK
- 6 - ADJUSTER

REMOVAL - (DRW)

- (1) Raise and support the vehicle.
- (2) Remove the rear wheels.
- (3) Remove the wheel flange ring.
- (4) Remove the disc brake rotor.
- (5) Disconnect the front park brake cable from the pulley unit. **Do not remove the rear park brake cables.**
- (6) Remove the retracting springs (Fig. 37).
- (7) Remove the adjuster (Fig. 37).
- (8) Remove the pressure springs (Fig. 37). by depressing with your fingers and twisting.
- (9) Remove the rear park brake shoes (Fig. 37). **Pull the park brake shoes apart at the bottom and remove them together with the adjuster.**

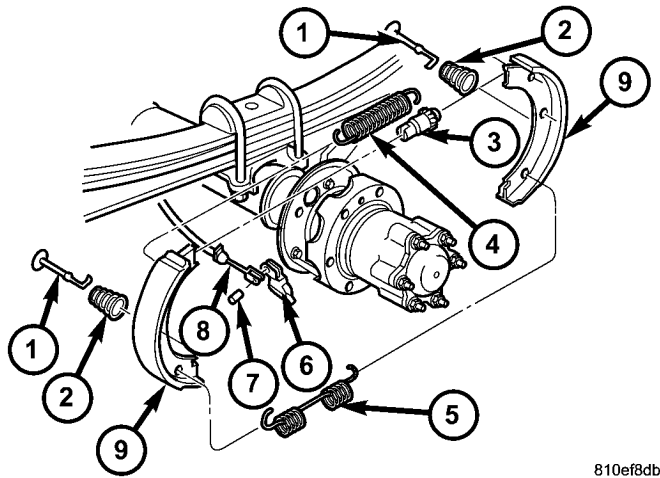


Fig. 37 PARK BRAKE SHOES WITH DUAL REAR WHEELS

- 1 - HOLD DOWN PIN
- 2 - PRESSURE SPRING
- 3 - ADJUSTER
- 4 - UPPER RETRACTING SPRING
- 5 - LOWER RETRACTING SPRING
- 6 - CABLE LOCK
- 7 - LOCKING PIN
- 8 - BRAKE CABLE
- 9 - PARK BRAKE SHOE

CLEANING - REAR DRUM IN HAT BRAKE

Clean the individual brake components, including the support plate exterior, with a water dampened cloth or with brake cleaner. Do not use any other cleaning agents. Remove light rust and scale from the brake shoe contact pads on the support plate with fine sandpaper.

INSTALLATION

INSTALLATION - (SRW)

NOTE: Preassemble the retracting spring with the short hook eye from the inside together with the adjuster wheel at the bottom. Fit the preassembled park brake shoes on the brake carrier.

- (1) **Ensure that the cable lock moves easily before installing shoes.** Install the park brake shoes.
- (2) Install the lower retracting spring using special tool 9280.
- (3) Install the hold down springs using special tool 9281.
- (4) Install the upper retracting spring using special tool 9280.
- (5) Install the adjuster.
- (6) Install the front park brake cable to the pulley unit.
- (7) Install the disc brake rotor.
- (8) Install the rear wheels.
- (9) Adjust the parking brakes.

- (10) Lower the vehicle.
- (11) Pump the brake pedal several times to check the operation of the brakes before moving vehicle.

INSTALLATION - (DRW)

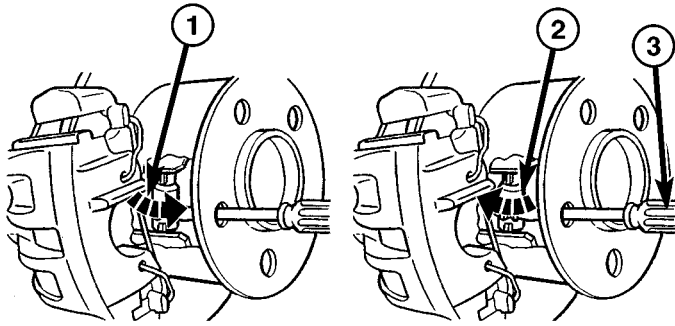
NOTE: Preassemble the retracting spring with the short hook eye from the inside together with the adjuster wheel at the bottom. Fit the preassembled park brake shoes on the brake carrier.

- (1) **Ensure that the cable lock moves easily before installing shoes.** Install the park brake shoes.
- (2) Install the lower retracting spring.
- (3) Install the pressure hold down springs by depressing with your fingers and twisting to lock in place.
- (4) Install the upper retracting spring.
- (5) Install the adjuster.
- (6) Install the front park brake cable to the pulley unit.
- (7) Install the disc brake rotor.
- (8) Install the rear wheel flange ring. Tighten to 200 N·m (148 ft. lbs.).
- (9) Install the rear wheels.
- (10) Adjust the parking brakes.
- (11) Lower the vehicle.
- (12) Pump the brake pedal several times to check the operation of the brakes before moving vehicle.

ADJUSTMENTS

ADJUSTMENT

- (1) Raise and support the vehicle.
- (2) Remove the rear wheels.
- (3) Turn the adjusting wheel through the hole of the wheel lug bolt until it is no longer possible to rotate the rear wheel (Fig. 38).
- (4) Loosen the adjusting wheel 3-4 teeth divisions (Fig. 38).

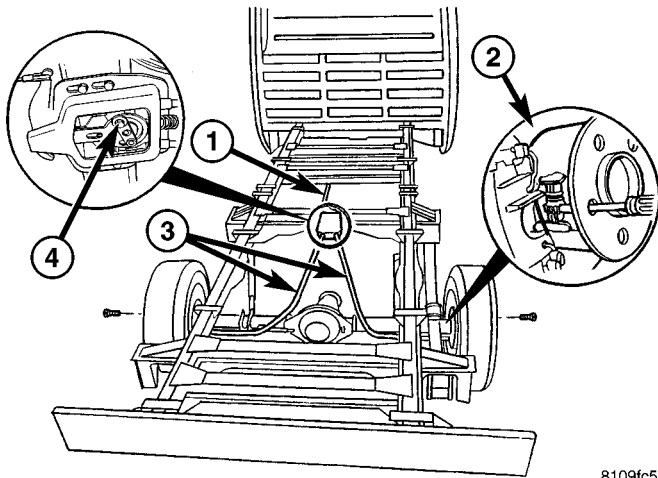


8109fcb

Fig. 38 STAR WHEEL ADJUSTER

- 1 - LEFT HAND PARK BRAKE SHOES APPLIED
- 2 - RIGHT HAND PARK BRAKE SHOES RELEASED
- 3 - FLAT BLADED TOOL

(5) Inspect the clearance, or a slight drag when rotating the wheel/rear disc brake rotor (Fig. 39).



8109fc5b

Fig. 39 ADJUSTING REAR PARK BRAKE SHOES

- 1 - FRONT BRAKE CABLE
- 2 - SHOE ADJUSTER
- 3 - REAR BRAKE CABLES
- 4 - PARK BRAKE CABLE ADJUSTER

(6) Install rear wheels.
 (7) Lower the vehicle and test the park brake system to hold the vehicle.

BRAKES - ABS

TABLE OF CONTENTS

	page		page
BRAKES - ABS		REMOVAL	33
SPECIFICATIONS - TORQUE CHART	30	INSTALLATION	33
ELECTRICAL		LATERAL ACCELERATION SENSOR	
DESCRIPTION	30	DESCRIPTION	33
OPERATION	30	REMOVAL	33
FRONT WHEEL SPEED SENSOR		INSTALLATION	34
REMOVAL	31	YAW RATE SENSOR	
INSTALLATION	31	DESCRIPTION	35
REAR WHEEL SPEED SENSOR		REMOVAL	35
REMOVAL	31	INSTALLATION	36
INSTALLATION	32	HCU (HYDRAULIC CONTROL UNIT)	
STONE WHEEL		DESCRIPTION	36
REMOVAL	32	REMOVAL	36
INSTALLATION	32	INSTALLATION	37
STEERING ANGLE SENSOR			
DESCRIPTION	32		

BRAKES - ABS

SPECIFICATIONS - TORQUE CHART

TORQUE SPECIFICATIONS

DESCRIPTION	N-m	Ft. Lbs.	In. Lbs.
Brake Lines To Hydraulic unit	16	—	12

ELECTRICAL

DESCRIPTION

NOTE: Wheel speed sensor should be installed all the way into the clamping bushings, the wheel speed sensor will self adjust when the vehicle is moved.

The ABS brake system uses 4 wheel speed sensors. A sensor is mounted to each front hub/bearings in the front. A rear sensor is mounted to each rear support plate.

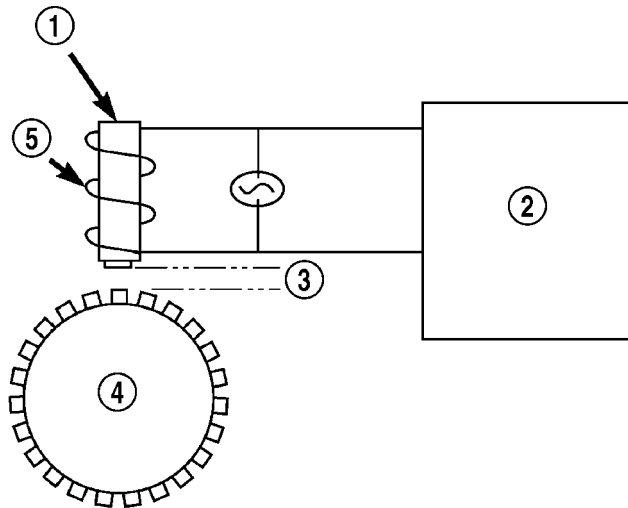
OPERATION

The Wheel Speed Sensor consists of a magnet surrounded by windings from a single strand of wire. The sensor sends a small AC signal to the CAB. This signal is generated by magnetic induction. The mag-

netic induction is created when a toothed sensor ring (exciter ring or tone wheel) passes the stationary magnetic WSS.

When the ring gear is rotated, the exciter ring passes the tip of the WSS. As the exciter ring tooth approaches the tip of the WSS, the magnetic lines of force expand, causing the magnetic field to cut across the sensor's windings. This, in turn causes current to flow through the WSS circuit (Fig. 1) in one direction. When the exciter ring tooth moves away from the sensor tip, the magnetic lines of force collapse cutting the winding in the opposite direction. This causes the current to flow in the opposite direction. Every time a tooth of the exciter ring passes the tip of the WSS, an AC signal is generated. Each AC signal (positive to negative signal or sinewave) is interpreted by the CAB. It then compares the frequency of the sinewave to a time value to calculate vehicle speed. The CAB continues to monitor the frequency

to determine a deceleration rate that would indicate a possible wheel-locking tendency.



8020cd59

Fig. 1 Operation of the Wheel Speed Sensor

- 1 - MAGNETIC CORE
- 2 - CAB
- 3 - AIR GAP
- 4 - EXCITER RING
- 5 - COIL

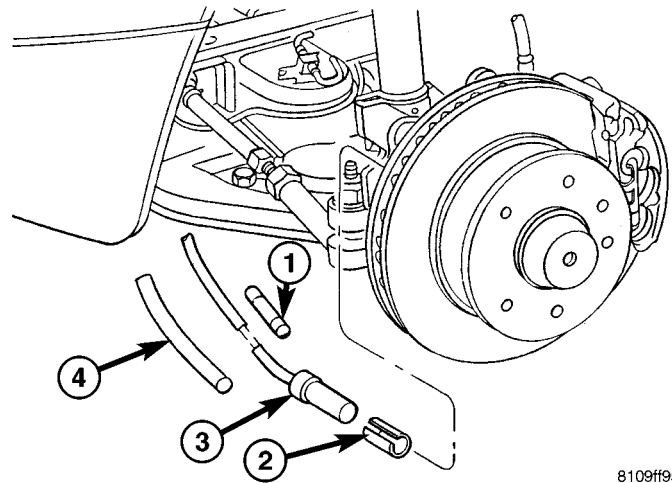
The signal strength of any magnetic induction sensor is directly affected by:

- Magnetic field strength; the stronger the magnetic field, the stronger the signal
- Number of windings in the sensor; more windings provide a stronger signal
- Exciter ring speed; the faster the exciter ring/ tone wheel rotates, the stronger the signal will be
- Distance between the exciter ring teeth and WSS; the closer the WSS is to the exciter ring/ tone wheel, the stronger the signal will be.

FRONT WHEEL SPEED SENSOR

REMOVAL

- (1) Raise and support the vehicle.
- (2) Remove the front wheels.
- (3) Pull the wheel speed sensor out of the front wheel hub (Fig. 2).
- (4) **Only do this step if sensor replacement is necessary.** Cut through the wheel speed sensor cable at an easily accessible point (Fig. 2).
- (5) Remove clamping sleeve from the knuckle if damaged or being replaced with new sensor (Fig. 2).



8109ff95

Fig. 2 FRONT WHEEL SPEED SENSOR

- 1 - SHRINK-FIT SLEEVE
- 2 - CLAMPING BUSHING
- 3 - SPEED SENSOR
- 4 - SHRINK TUBE

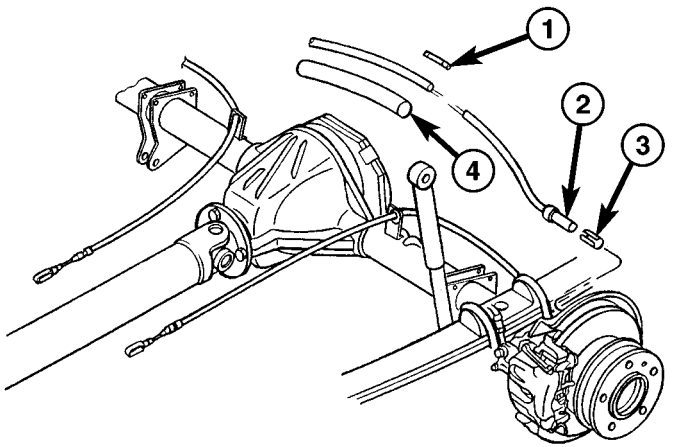
INSTALLATION

- (1) Connect separate wheel speed sensor cables with shrink-fit sleeves and shrink-fit tubing (Fig. 2). **Only do this step if replacing the sensor.**
- (2) Install the clamping bushing into the knuckle (Fig. 2) **Only do this step if replacing the sensor or the clamping bushing was damaged.**
- (3) Install the wheel speed sensor all the way into the front wheel hub the wheel speed sensor will self adjust when the vehicle is moved (Fig. 2).
- (4) Install the front wheels.
- (5) Lower the vehicle.

REAR WHEEL SPEED SENSOR

REMOVAL

- (1) Raise and support the vehicle.
- (2) Remove the rear wheels.
- (3) Pull the wheel speed sensor out of the mounting hole in the axle supporting tube (Fig. 3).
- (4) **Only do this step if sensor replacement is necessary.** Cut through the wheel speed sensor cable at an easily accessible point (Fig. 3).
- (5) Remove clamping sleeve from the knuckle if damaged or being replaced with new sensor (Fig. 3).



8109febb

Fig. 3 REAR WHEEL SPEED SENSORS

- 1 - SHRINK-FIT SLEEVE
- 2 - SPEED SENSOR
- 3 - CLAMPING BUSHING
- 4 - SHRINK TUBE

INSTALLATION

(1) Connect separate wheel speed sensor cables with shrink-fit sleeves and shrink-fit tubing (Fig. 3).

Only do this step if replacing the sensor.

(2) Install the clamping bushing into the knuckle (Fig. 3) **Only do this step if replacing the sensor or the clamping bushing was damaged.**

(3) Install the wheel speed sensor all the way into the axle tube, the wheel speed sensor will self adjust when the vehicle is moved (Fig. 3).

(4) Install the rear wheels.

(5) Lower the vehicle.

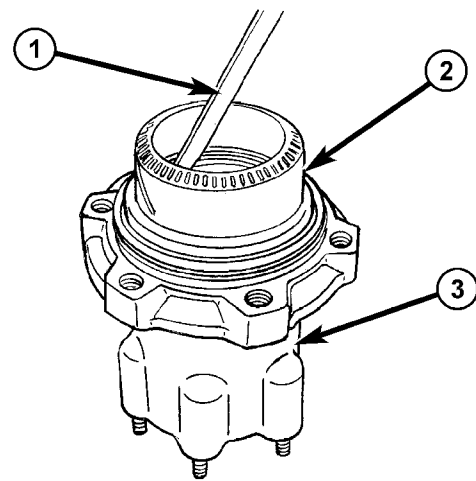
TONE WHEEL

REMOVAL

(1) Remove the hub/bearing assembly (DRW) (Refer to 3 - DIFFERENTIAL & DRIVELINE/REAR AXLE/AXLE BEARINGS - REMOVAL).

(2) Insert a hooked prybar between the hub/bearing and the inside of the tone wheel and pry upwards slightly and work your way around the tone wheel until the wheel is loose (Fig. 4).

(3) Remove the tone wheel.



8111832b

Fig. 4 TONE WHEEL REMOVAL

- 1 - HOOKED PRYBAR
- 2 - TONE WHEEL
- 3 - HUB/BEARING ASSEMBLY

INSTALLATION

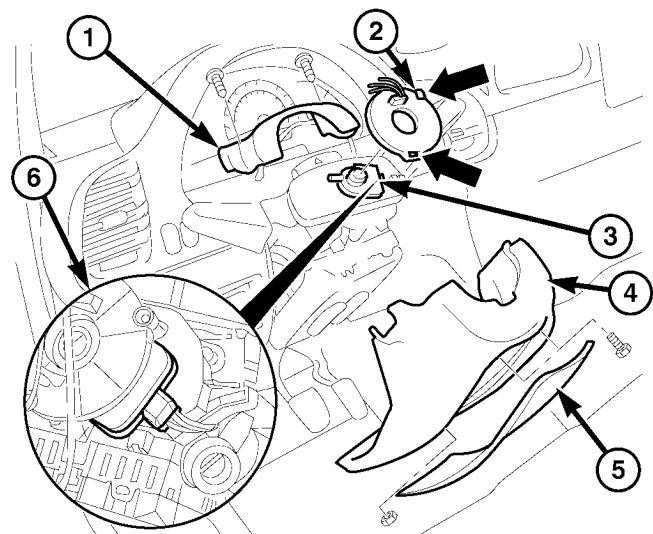
(1) Install the tone wheel to the hub/bearing with a thin bead of silicone around the tone wheel.

(2) Tap the tone wheel down with a soft hammer until seated.

(3) Install the hub/bearing (DRW) (Refer to 3 - DIFFERENTIAL & DRIVELINE/REAR AXLE/AXLE BEARINGS - INSTALLATION).

STEERING ANGLE SENSOR

DESCRIPTION



8131e0dd

Fig. 5 STEERING ANGLE SENSOR

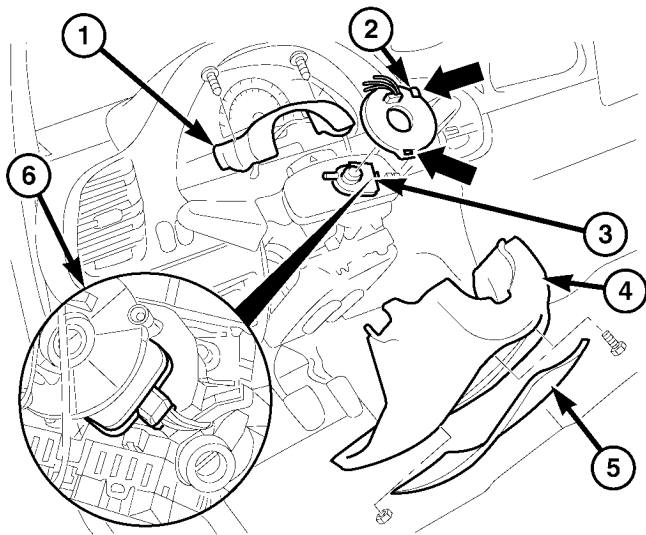
- 1 - UPPER STEERING COLUMN COVER
- 2 - CLOCKSPRING
- 3 - STEERING ANGLE SENSOR
- 4 - LOWER STEERING COLUMN COVER
- 5 - FRONT COVER
- 6 - STEERING ANGLE SENSOR ELECTRICAL CONNECTION

The Steering Angle Sensor is used to measure rate/speed and direction of the steering wheel. This sensor has 4 wires 12V, ground and 2 CAN Bus circuits. This sensor is wired directly to the CAN Bus. This sensor has to be programmed using the DRB III® (Fig. 5).

REMOVAL

- (1) Disconnect the battery.
- (2) Remove the airbag (Refer to 8 - ELECTRICAL/RESTRAINTS/AIRBAG CONTROL MODULE - REMOVAL).
- (3) Remove the steering wheel (Refer to 19 - STEERING/COLUMN/STEERING WHEEL - REMOVAL).
- (4) Remove the front cover (Fig. 6).
- (5) Remove the upper and lower steering column covers (Fig. 6).
- (6) Remove the clockspring (Refer to 8 - ELECTRICAL/RESTRAINTS/CLOCKSPRING - REMOVAL) (Fig. 6).
- (7) Disconnect the electrical connector from the steering angle sensor (Fig. 6).
- (8) Remove the steering angle sensor (Fig. 6).

- (2) Reconnect the electrical connector to the steering angle sensor (Fig. 6).
- (3) Install the clockspring (Refer to 8 - ELECTRICAL/RESTRAINTS/CLOCKSPRING - INSTALLATION) (Fig. 6).
- (4) Install the upper and lower steering column covers (Fig. 6).
- (5) Install the front cover (Fig. 6).
- (6) Install the steering wheel (Refer to 19 - STEERING/COLUMN/STEERING WHEEL - INSTALLATION).
- (7) Install the airbag (Refer to 8 - ELECTRICAL/RESTRAINTS/AIRBAG CONTROL MODULE - INSTALLATION).
- (8) Reconnect the battery.
- (9) Recalibrate the steering angle sensor using the scan tool.



8131e0dd

Fig. 6 STEERING ANGLE SENSOR

- 1 - UPPER STEERING COLUMN COVER
- 2 - CLOCKSPRING
- 3 - STEERING ANGLE SENSOR
- 4 - LOWER STEERING COLUMN COVER
- 5 - FRONT COVER
- 6 - STEERING ANGLE SENSOR ELECTRICAL CONNECTION

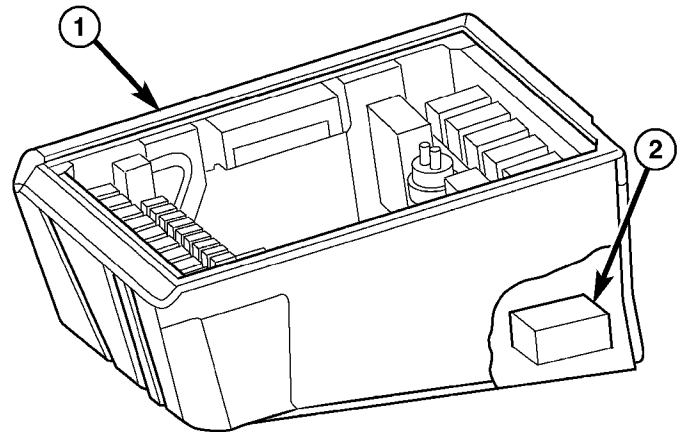
INSTALLATION

NOTE: The installation position of the steering angle sensor must have the plug connection at the bottom (Fig. 6).

- (1) Install the steering angle sensor to the column (Fig. 6).

LATERAL ACCELERATION SENSOR

DESCRIPTION



81321b86

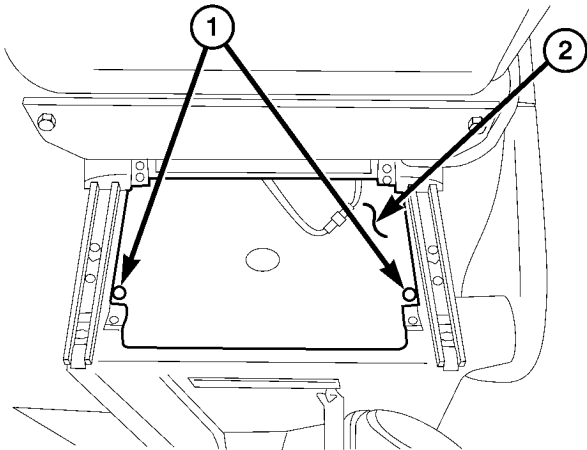
Fig. 7 YAW/LATERAL ACCELERATION SENSOR

- 1 - SEAT BOX
- 2 - YAW RATE/ LATERAL ACCELERATION SENSOR

The Yaw Rate and Lateral Acceleration Sensor is housed into one unit (Fig. 7) **(each individual sensor can not be replaced separately the whole housing unit must be replaced when servicing)**. The sensor is used to measure side to side (Lateral) motion and vehicle rotational sensing (how fast the vehicle is turning). This is a 6-wire sensor with all six wires connected to the ESP/ABS module.

REMOVAL

- (1) Disconnect the battery.
- (2) Move the drivers seat forward and upwards.



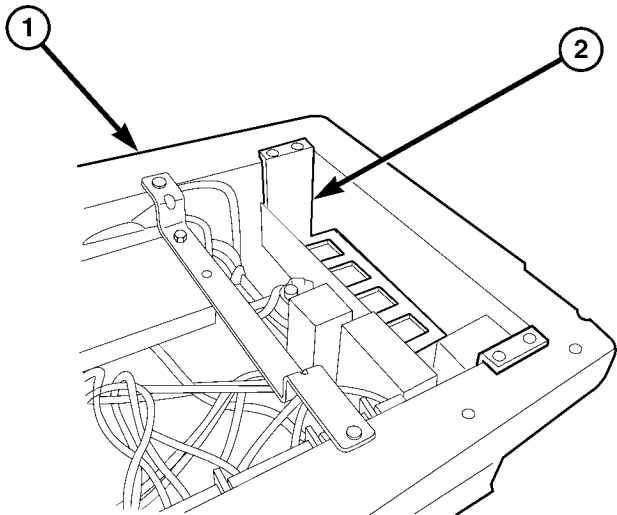
81322f0a

Fig. 8 COVER

- 1 - SCREWS
2 - COVER

(3) Remove the cover below the drivers seat (Fig. 8).

(4) Remove the bracket for the control modules and set aside with the control modules (Fig. 9).

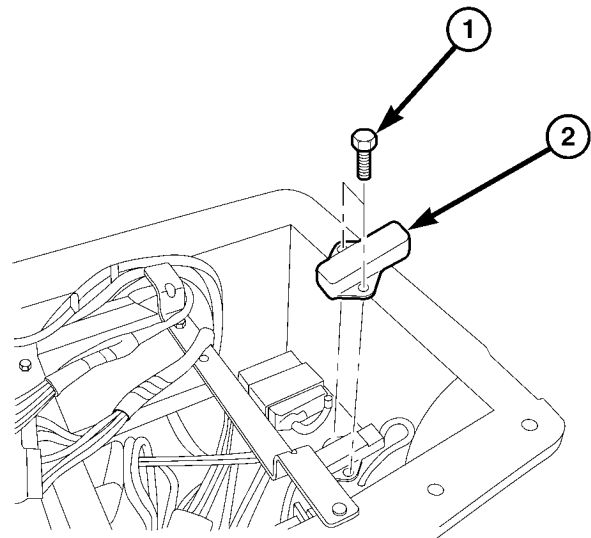


81322f0e

Fig. 9 CONTROL MODULE BRACKET

- 1 - SEAT FRAME
2 - BRACKET FOR THE CONTROL MODULES

(5) Remove the screws securing the Yaw rate/lateral Acceleration Sensor (Fig. 10).



81322f19

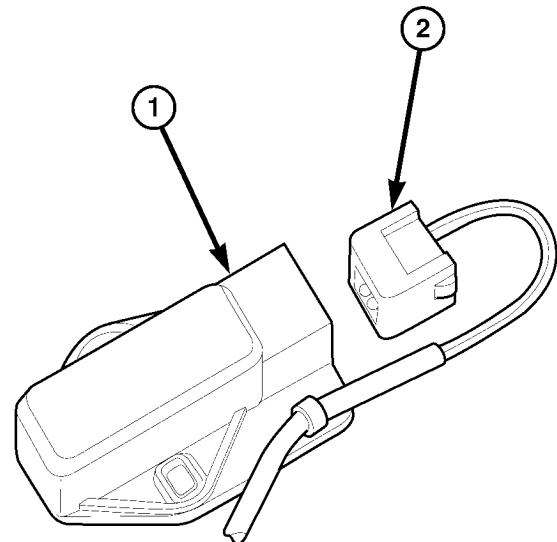
Fig. 10 SENSOR REMOVE/INSTALL

- 1 - SCREWS
2 - YAW RATE/LATERAL ACCELERATION SENSOR

(6) Remove the metal cover over the sensor.

(7) Disconnect the electrical connector (Fig. 11).

(8) Remove the Yaw rate/lateral Acceleration Sensor.



81322f15

Fig. 11 ELECTRICAL CONNECTOR

- 1 - YAW RATE/ATERAL ACCELERATION SENSOR
2 - ELECTRICAL CONNECTOR

INSTALLATION

(1) Reconnect the yaw rate/lateral acceleration sensor electrical connector (Fig. 11).

(2) Install the yaw rate/lateral acceleration sensor.

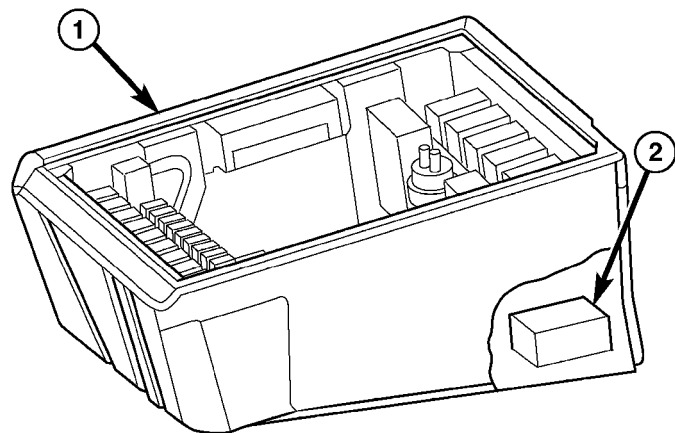
(3) Install the metal cover over top of the sensor.

(4) Install the screws securing the yaw rate/lateral acceleration sensor (Fig. 10). Tighten to 6 N·m (53 in.lbs).

- (5) Install the bracket with the control modules (Fig. 9).
- (6) Install the cover for the drivers seat (Fig. 8).
- (7) Return the drivers seat to normal position.
- (8) Reconnect the battery.
- (9) Perform diagnosis quick check and road test the vehicle.

YAW RATE SENSOR

DESCRIPTION



81321b86

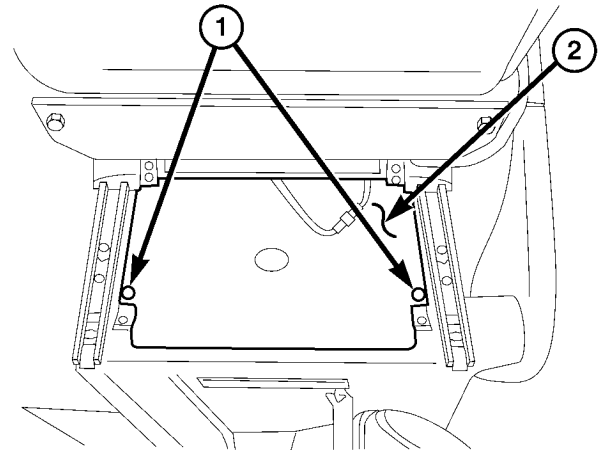
Fig. 12 YAW/LATERAL ACCELERATION SENSOR

- 1 - SEAT BOX
- 2 - YAW RATE/ LATERAL ACCELERATION SENSOR

The Yaw Rate and Lateral Acceleration Sensor is housed into one unit (Fig. 12) **(each individual sensor can not be replaced separately the whole housing unit must be replaced when servicing)**. The sensor is used to measure side to side (Lateral) motion and vehicle rotational sensing (how fast the vehicle is turning). This is a 6-wire sensor with all six wires connected to the ESP/ABS module.

REMOVAL

- (1) Disconnect the battery.
- (2) Move the drivers seat forward and upwards.

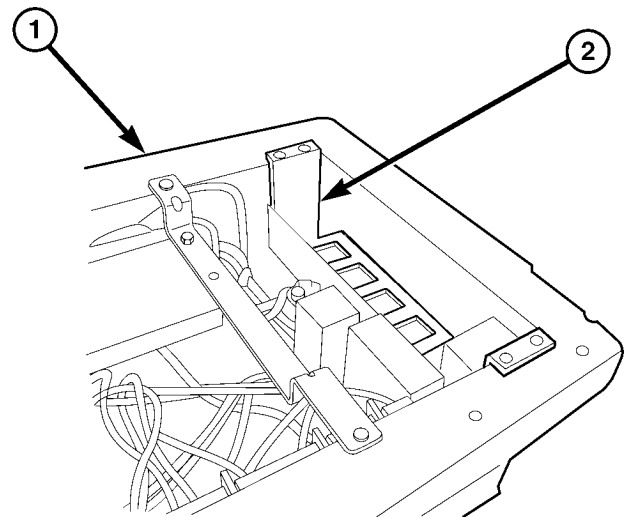


81322f0a

Fig. 13 COVER

- 1 - SCREWS
- 2 - COVER

- (3) Remove the cover below the drivers seat (Fig. 13).
- (4) Remove the bracket for the control modules and set aside with the control modules (Fig. 14).

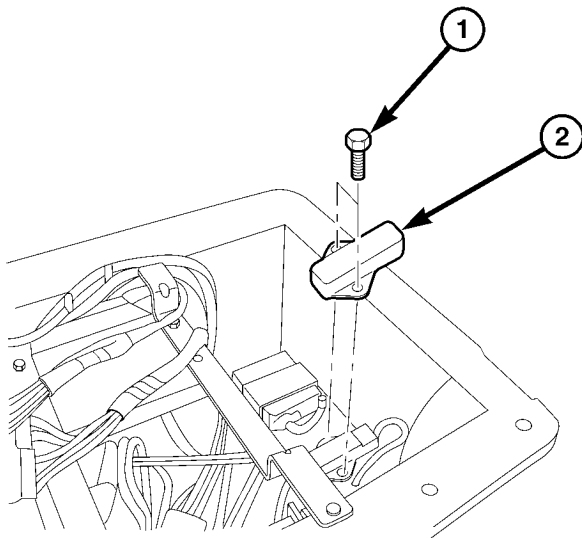


81322f0e

Fig. 14 CONTROL MODULE BRACKET

- 1 - SEAT FRAME
- 2 - BRACKET FOR THE CONTROL MODULES

- (5) Remove the screws securing the Yaw rate/lateral Acceleration Sensor (Fig. 15).

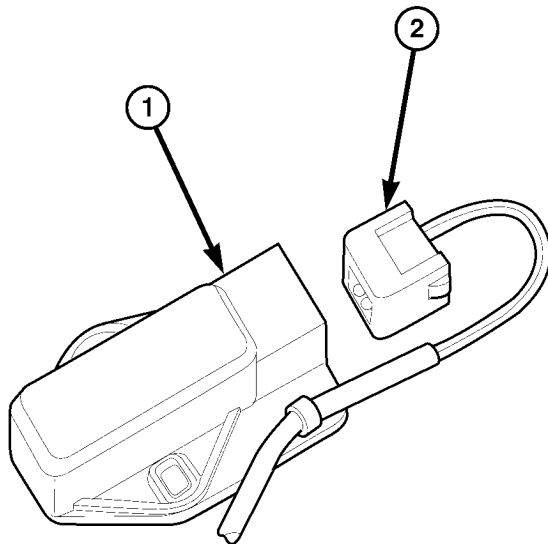


81322f19

Fig. 15 SENSOR REMOVE/INSTALL

- 1 - SCREWS
2 - YAW RATE/LATERAL ACCELERATION SENSOR

- (6) Remove the metal cover over the sensor.
(7) Disconnect the electrical connector (Fig. 16).
(8) Remove the Yaw rate/lateral Acceleration Sensor.



81322f15

Fig. 16 ELECTRICAL CONNECTOR

- 1 - YAW RATE/LATERAL ACCELERATION SENSOR
2 - ELECTRICAL CONNECTOR

INSTALLATION

- (1) Reconnect the yaw rate/lateral acceleration sensor electrical connector (Fig. 16).
(2) Install the yaw rate/lateral acceleration sensor.
(3) Install the metal cover over top of the sensor.
(4) Install the screws securing the yaw rate/lateral acceleration sensor (Fig. 15). Tighten to 6 N·m (53 in.lbs).

- (5) Install the bracket with the control modules (Fig. 14).
(6) Install the cover for the drivers seat (Fig. 13).
(7) Return the drivers seat to normal position.
(8) Reconnect the battery.
(9) Perform diagnosis quick check and road test the vehicle.

HCU (HYDRAULIC CONTROL UNIT)

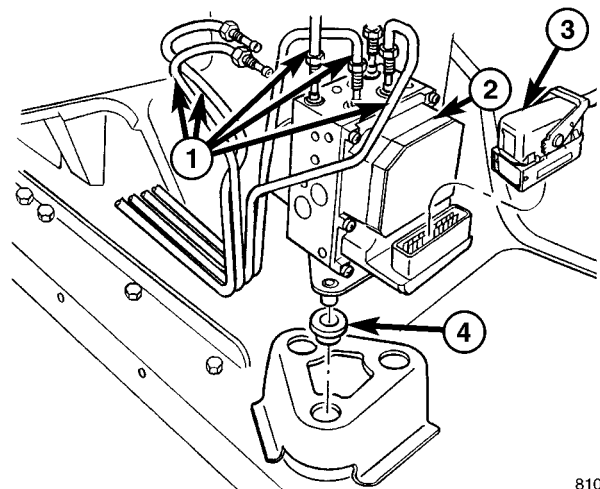
DESCRIPTION

The HCU consists of a valve body, pump motor, low pressure accumulators, inlet valves, outlet valves and noise attenuators.

REMOVAL

NOTE: Store the Hydraulic Control Unit in an upright position only.

- (1) Disconnect the ground cable at the battery. **The ignition switch must be switched to the off position when disconnecting the battery cable.**
(2) Disconnect the multiplug from the control module (Fig. 17).
(3) Disconnect the brake lines from the hydraulic control unit (Fig. 17). **Mark the brake lines for reinstallation, also seal off the connections and lines to prevent contamination.**
(4) Remove the hydraulic control unit from the bracket (Fig. 17).
(5) Check the rubber mounts on the bracket. (Replace if necessary) (Fig. 17).



8109fe7e

Fig. 17 HYDRAULIC CONTROL UNIT (ABS)

- 1 - BRAKE LINES
2 - HCU WITH CONTROL MODULE
3 - ABS/ABD CONTROL MODULE MULTIPLUG
4 - RUBBER SUPPORT

INSTALLATION

- (1) Install the hydraulic control unit into the rubber mounts (Fig. 17).
- (2) Reconnect the brake lines to the hydraulic control unit (Fig. 17). **Do not mix up the brake lines.** Tighten the lines to 16 N·m (142 in. lbs.)
- (3) Reconnect the multiplug to the control module (Fig. 17).
- (4) Reconnect the ground cable on the battery.
- (5) Bleed the brake system.
- (6) Check the fluid in the reservoir and correct if necessary.
- (7) Perform function test.

COOLING

TABLE OF CONTENTS

	page		page
COOLING		COOLING SYSTEM	2
OPERATION - COOLING SYSTEM	1	ACCESSORY DRIVE	5
DIAGNOSIS AND TESTING		ENGINE	9
DIAGNOSIS AND TESTING - PRELIMINARY			
CHECKS	1		

COOLING

OPERATION - COOLING SYSTEM

The cooling system regulates engine operating temperature. It allows the engine to reach normal operating temperature as quickly as possible. It also maintains normal operating temperature and prevents overheating.

The cooling system also provides a means of heating the passenger compartment and cooling the automatic transmission fluid (if equipped). The cooling system is pressurized and uses a centrifugal water pump to circulate coolant throughout the system.

DIAGNOSIS AND TESTING

DIAGNOSIS AND TESTING - PRELIMINARY CHECKS

ENGINE COOLING SYSTEM OVERHEATING

Establish what driving conditions caused the complaint. Abnormal loads on the cooling system such as the following may be the cause:

- PROLONGED IDLE
- VERY HIGH AMBIENT TEMPERATURE
- SLIGHT TAIL WIND AT IDLE
- SLOW TRAFFIC
- TRAFFIC JAMS
- HIGH SPEED OR STEEP GRADES

Driving techniques that avoid overheating are:

- Idle with A/C off when temperature gauge is at end of normal range.

- Increasing engine speed for more air flow is recommended.

TRAILER TOWING:

Consult Trailer Towing section of owners manual. Do not exceed limits.

AIR CONDITIONING; ADD - ON OR AFTER MARKET:

A maximum cooling package should have been ordered with vehicle if add-on or after market A/C is installed. If not, maximum cooling system components should be installed for model involved per manufacturer's specifications.

RECENT SERVICE OR ACCIDENT REPAIR:

Determine if any recent service has been performed on vehicle that may effect cooling system. This may be:

- Engine adjustments (incorrect timing)
- Slipping engine accessory drive belt(s)
- Brakes (possibly dragging)
- Changed parts. Incorrect water pump or pump rotating in wrong direction due to belt not correctly routed
 - Reconditioned radiator or cooling system refilling (possibly under filled or air trapped in system).

NOTE: If investigation reveals none of the previous items as a cause for an engine overheating complaint, (Refer to 7 - COOLING - DIAGNOSIS AND TESTING)

COOLING SYSTEM

COOLING SYSTEM DIAGNOSIS - DIESEL ENGINE

CONDITION	POSSIBLE CAUSES	CORRECTION
TEMPERATURE GAUGE READS LOW	<ol style="list-style-type: none"> 1. Vehicle is equipped with a heavy duty cooling system. 2. Temperature gauge not connected 3. Temperature gauge connected but not operating. 4. Coolant level low. 	<ol style="list-style-type: none"> 1. None. System operating normally. 2. Connect gauge. 3. Check gauge. Refer (Refer to 8 - ELECTRICAL/INSTRUMENT CLUSTER - DIAGNOSIS AND TESTING) 4. Fill cooling system. (Refer to 7 - COOLING - STANDARD PROCEDURE)
TEMPERATURE GAUGE READS HIGH. COOLANT MAY OR MAY NOT BE LEAKING FROM SYSTEM	<ol style="list-style-type: none"> 1. Vehicle overloaded, high ambient (outside) temperatures with A/C turned on, stop and go driving or prolonged operation at idle speeds. 2. Temperature gauge not functioning correctly. 3. Air trapped in cooling 4. Radiator cap faulty. 5. Plugged A/C or radiator cooling fins. 6. Coolant mixture incorrect. 7. Thermostat stuck shut. 8. Bug screen or winter front being used. 9. Viscous fan drive not operating properly. 10. Cylinder head gasket leaking. 11. Heater core leaking. 12. cooling system hoses leaking. 	<ol style="list-style-type: none"> 1. Temporary condition, repair not required. Notify customer of vehicle operation instructions located in Owners Manual. 2. Check gauge. (Refer to 8 - ELECTRICAL/INSTRUMENT CLUSTER - DIAGNOSIS AND TESTING) 3. Drain cooling system (Refer to 7 - COOLING - STANDARD PROCEDURE) and refill (Refer to 7 - COOLING - STANDARD PROCEDURE) 4. Replace radiator cap. 5. Clean all debris away from A/C and radiator cooling fins. 6. Drain cooling system (Refer to 7 - COOLING - STANDARD PROCEDURE) refill with correct mixture (Refer to 7 - COOLING - STANDARD PROCEDURE). 7. Replace thermostat. 8. Remove bug screen or winter front. 9. Check viscous fan (Refer to 7 - COOLING/ENGINE/FAN DRIVE VISCOUS CLUTCH - DIAGNOSIS AND TESTING) 10. Check for leaking head gaskets (Refer to 7 - COOLING - DIAGNOSIS AND TESTING). 11. Replace heater core. 12. Tighten clamps or Replace hoses.

CONDITION	POSSIBLE CAUSES	CORRECTION
	13. Brakes dragging.	13. Check brakes. (Refer to 5 - BRAKES/HYDRAULIC/MECHANICAL - DIAGNOSIS AND TESTING)
TEMPERATURE GAUGE READING INCONSISTENT (ERRATIC, CYCLES OR FLUCTUATES)	1. Heavy duty cooling system, extreme cold ambient (outside) temperature or heater blower motor in high position. 2. Temperature gauge or gauge sensor defective. 3. Temporary heavy usage or load. 4. Air trapped in cooling system. 5. Water pump 6. Air leak on suction side of water pump.	1. None. System operating normally. 2. Check gauge. (Refer to 8 - ELECTRICAL/INSTRUMENT CLUSTER - DIAGNOSIS AND TESTING) 3. None. Normal condition. 4. Fill cooling system (Refer to 7 - COOLING - STANDARD PROCEDURE). 5. Replace water pump. 6. Check for leak. (Refer to 7 - COOLING - DIAGNOSIS AND TESTING)
RADIATOR CAP LEAKING STEAM AND /OR COOLANT INTO RESERVOIR BOTTLE. (TEMPERATURE GAUGE MAY READ HIGH)	1. Radiator cap defective. 2. Radiator neck surface damaged.	1. Replace radiator cap. 2. Replace radiator.
HOSE OR HOSES COLLAPSE WHEN ENGINE IS COOLING.	1. Vacuum created in cooling system on engine cool-down is not being relieved through coolant reservoir/overflow system.	1. Replace radiator cap, check vent hose between radiator and reservoir bottle for blockage also check reservoir bottle vent for blockage.
NOISY FAN	1. Fan blade(s) loose, damaged. 2. Thermal viscous fan drive. 3. Fan blades striking surrounding objects. 4. Thermal viscous fan drive bearing. 5. Obstructed air flow through radiator.	1. Replace fan blade assembly. 2. None. Normal condition. 3. Locate contact point and repair as necessary. 4. Replace viscous fan drive assembly. 5. Remove obstruction.
INADEQUATE AIR CONDITIONER PERFORMANCE (COOLING SYSTEM SUSPECTED)	1. Radiator and/or A/C condenser air flow obstructed. 2. Thermal viscous fan drive not working. 3. Air seals around radiator damaged or missing.	1. Remove obstruction and/or clean. 2. Check fan drive. (Refer to 7 - COOLING/ENGINE/FAN DRIVE VISCOUS CLUTCH - DIAGNOSIS AND TESTING) 3. Inspect air seals, repair or replace as necessary.

CONDITION	POSSIBLE CAUSES	CORRECTION
INADEQUATE HEATER PERFORMANCE. GAUGE MAY OR MAY NOT READ LOW.	<ol style="list-style-type: none">1. Heavy duty cooling system, and cooler ambient temperatures.2. Obstruction in heater hoses.3. Water pump damaged.	<ol style="list-style-type: none">1. None. Normal condition.2. Remove hoses, remove obstruction.3. Replace water pump.
HEAT ODOR	<ol style="list-style-type: none">1. Damaged or missing drive line heat shields.2. Thermal viscous fan drive damaged.	<ol style="list-style-type: none">1. Repair or replace damaged or missing heat shields.2. Check thermal viscous fan drive. (Refer to 7 - COOLING/ENGINE/FAN DRIVE VISCOUS CLUTCH - DIAGNOSIS AND TESTING)

ACCESSORY DRIVE

TABLE OF CONTENTS

	page		page
BELT TENSIONERS		REMOVAL	
DESCRIPTION	5	REMOVAL	8
OPERATION	5	REMOVAL	8
DRIVE BELTS		INSTALLATION	
DIAGNOSIS AND TESTING - ACCESSORY		INSTALLATION	8
DRIVE BELT	5	INSTALLATION	8

BELT TENSIONERS

DESCRIPTION

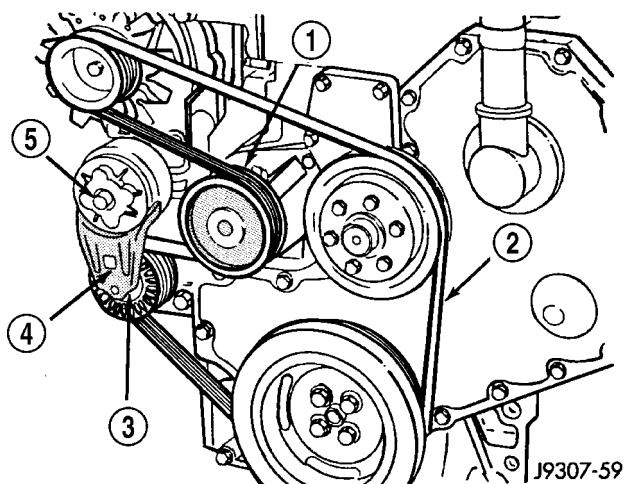


Fig. 1 Accessory Drive Belt

- 1 - WATER PUMP
- 2 - ACCESSORY DRIVE BELT
- 3 - AUTOMATIC BELT TENSIONER
- 4 - 3/8" SQUARE BOLT
- 5 - MOUNT. BOLT

CAUTION: Do not attempt to check belt tension with a belt tension gauge on vehicles equipped with an automatic belt tensioner.

Drive belts on all engines are equipped with a spring loaded automatic belt tensioner. This tensioner maintains constant belt tension at all times and requires no maintenance or adjustment. (Fig. 1)

OPERATION

WARNING: The automatic belt tensioner assembly is spring loaded. do not attempt to disassemble the tensioner assembly.

The automatic belt tensioner maintains correct belt tension using a coiled spring within the tensioner housing. The spring applies pressure to the tensioner

arm pressing the arm into the belt, tensioning the belt.

If a new belt is being installed, the arrow must be within approximately 3 mm (1/8 in.) of indexing mark. Belt is considered new if it has been used 15 minutes or less. If this specification cannot be met, check for:

- The wrong belt being installed (incorrect length/width)
- Worn bearings on an engine accessory (A/C compressor, power steering pump, water pump, idler pulley or generator)
- A pulley on an engine accessory being loose
- Misalignment of an engine accessory
- Belt incorrectly routed.

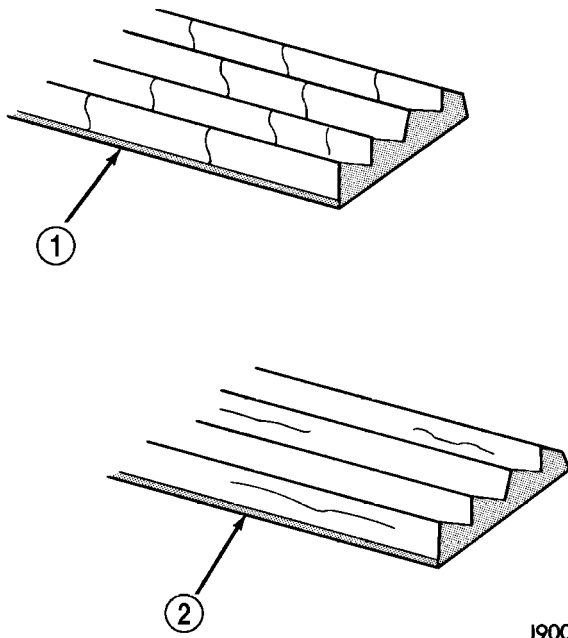
DRIVE BELTS

DIAGNOSIS AND TESTING - ACCESSORY DRIVE BELT

VISUAL DIAGNOSIS

When diagnosing serpentine accessory drive belts, small cracks that run across the ribbed surface of the belt from rib to rib (Fig. 2), are considered normal. These are not a reason to replace the belt. However, cracks running along a rib (not across) are **not** normal. Any belt with cracks running along a rib must be replaced (Fig. 2). Also replace the belt if it has excessive wear, frayed cords or severe glazing.

Refer to ACCESSORY DRIVE BELT DIAGNOSIS CHART for further belt diagnosis.



resolve a noise condition, inspect all of the accessory drive pulleys for contamination, alignment, glazing, or excessive end play.

Fig. 2 Belt Wear Patterns

- 1 - NORMAL CRACKS BELT OK
- 2 - NOT NORMAL CRACKS REPLACE BELT

NOISE DIAGNOSIS

Noises generated by the accessory drive belt are most noticeable at idle. Before replacing a belt to

ACCESSORY DRIVE BELT DIAGNOSIS CHART

CONDITION	POSSIBLE CAUSES	CORRECTION
RIB CHUNKING (One or more ribs has separated from belt body)	<ol style="list-style-type: none"> 1. Foreign objects imbedded in pulley grooves. 2. Installation damage 	<ol style="list-style-type: none"> 1. Remove foreign objects from pulley grooves. Replace belt. 2. Replace belt
RIB OR BELT WEAR	<ol style="list-style-type: none"> 1. Pulley misaligned 2. Abrasive environment 3. Rusted pulley(s) 4. Sharp or jagged pulley groove tips 5. Belt rubber deteriorated 	<ol style="list-style-type: none"> 1. Align pulley(s) 2. Clean pulley(s). Replace belt if necessary 3. Clean rust from pulley(s) 4. Replace pulley. Inspect belt. 5. Replace belt
BELT SLIPS	<ol style="list-style-type: none"> 1. Belt slipping because of insufficient tension 2. Belt or pulley exposed to substance that has reduced friction (belt dressing, oil, ethylene glycol) 3. Driven component bearing failure (seizure) 4. Belt glazed or hardened from heat and excessive slippage 	<ol style="list-style-type: none"> 1. Inspect/Replace tensioner if necessary 2. Replace belt and clean pulleys 3. Replace faulty component or bearing 4. Replace belt.

CONDITION	POSSIBLE CAUSES	CORRECTION
LONGITUDAL BELT CRACKING	<ol style="list-style-type: none"> 1. Belt has mistracked from pulley groove 2. Pulley groove tip has worn away rubber to tensile member 	<ol style="list-style-type: none"> 1. Replace belt 2. Replace belt
"GROOVE JUMPING" (Belt does not maintain correct position on pulley)	<ol style="list-style-type: none"> 1. Incorrect belt tension 2. Pulley(s) not within design tolerance 3. Foreign object(s) in grooves 4. Pulley misalignment 5. Belt cordline is broken 	<ol style="list-style-type: none"> 1. Inspect/Replace tensioner if necessary 2. Replace pulley(s) 3. Remove foreign objects from grooves 4. Align component 5. Replace belt
BELT BROKEN (Note: Identify and correct problem before new belt is installed)	<ol style="list-style-type: none"> 1. Incorrect belt tension 2. Tensile member damaged during belt installation 3. Severe misalignment 4. Bracket, pulley, or bearing failure 	<ol style="list-style-type: none"> 1. Replace Inspect/Replace tensioner if necessary 2. Replace belt 3. Align pulley(s) 4. Replace defective component and belt
NOISE (Objectional squeal, squeek, or rumble is heard or felt while drive belt is in operation)	<ol style="list-style-type: none"> 1. Incorrect belt tension 2. Bearing noise 3. Belt misalignment 4. Belt to pulley mismatch 5. Driven component induced vibration 6. System resonant frequency induced vibration 	<ol style="list-style-type: none"> 1. Inspect/Replace tensioner if necessary 2. Locate and repair 3. Align belt/pulley(s) 4. Install correct belt 5. Locate defective driven component and repair 6. Vary belt tension within specifications
TENSION SHEETING FABRIC FAILURE (Woven fabric on outside, circumference of belt has cracked or separated from body of belt)	<ol style="list-style-type: none"> 1. Tension sheeting contacting stationary object 2. Excessive heat causing woven fabric to age 3. Tension sheeting splice has fractured 	<ol style="list-style-type: none"> 1. Correct rubbing condition 2. Replace belt 3. Replace belt
CORD EDGE FAILURE (Tensile member exposed at edges of belt or separated from belt body)	<ol style="list-style-type: none"> 1. Incorrect belt tension 2. Belt contacting stationary object 3. Pulley(s) out of tolerance 4. Insufficient adhesion between tensile member and rubber matrix 	<ol style="list-style-type: none"> 1. Inspect/Replace tensioner if necessary 2. Replace belt 3. Replace pulley 4. Replace belt

REMOVAL

REMOVAL

CAUTION: Do not attempt to check belt tension with a belt tension gauge on vehicles equipped with an automatic belt tensioner.

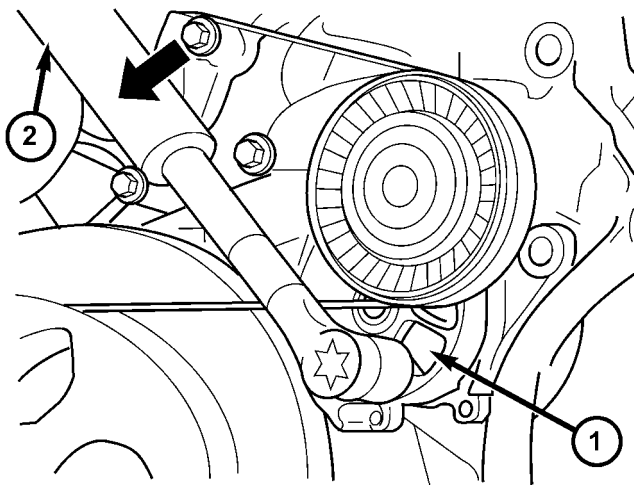
NOTE: The belt routing schematics are published from the latest information available at the time of publication. If anything differs between these schematics and the Belt Routing Label, use the schematics on Belt Routing Label. This label is located in the engine compartment.

(1) Remove A/C compressor drive belt (Refer to 7 - COOLING/ACCESSORY DRIVE/DRIVE BELTS - REMOVAL).

(2) A 3/8 inch square hole is provided in the automatic belt tensioner. Attach a 3/8 inch drive-long handle ratchet to this hole (Fig. 3).

(3) Rotate ratchet and tensioner assembly counterclockwise (as viewed from front) until tension has been relieved from belt (Fig. 3).

(4) Remove belt from water pump pulley first.



810a025b

Fig. 3 DRIVE BELT TENSIONER

- 1 - ACCESSORY DRIVE BELT TENSIONER
2 - RATCHET WRENCH

(5) Remove belt from vehicle.

REMOVAL

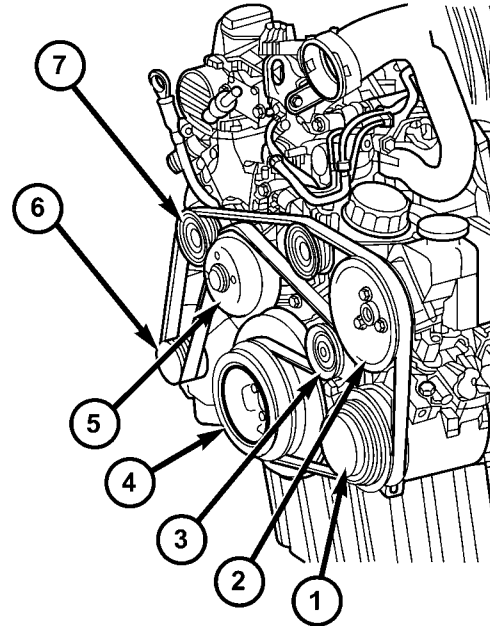
- (1) Loosen tension adjuster.
- (2) Remove A/C compressor drive belt.

INSTALLATION

INSTALLATION

CAUTION: When installing the accessory drive belt, the belt must be the correct length and routed correctly. If not, engine may overheat due to water pump rotating in wrong direction.

(1) Position drive belt over all pulleys **except** water pump pulley (Fig. 4).



810a07cf

Fig. 4 ACCESSORY DRIVE BELT ROUTING

- 1 - A/C COMPRESSOR
2 - POWER STEERING
3 - DRIVE BELT TENSIONER
4 - CRANKSHAFT PULLEY
5 - WATER PUMP PULLEY
6 - GENERATOR
7 - IDLER PULLEY

(2) Attach a 3/8 inch ratchet to tensioner.

(3) Rotate ratchet and belt tensioner counterclockwise. Place belt over water pump pulley. Let tensioner rotate back into place. Remove ratchet. Be sure belt is properly seated on all pulleys.

(4) Install A/C compressor drive belt (Refer to 7 - COOLING/ACCESSORY DRIVE/DRIVE BELTS - INSTALLATION).

INSTALLATION

(1) Position A/C compressor drive belt over crankshaft pulley and A/C compressor pulley.

(2) Tighten drive belt tensioner.

ENGINE

TABLE OF CONTENTS

	page		page
COOLANT		REMOVAL	15
DESCRIPTION	9	INSTALLATION	15
DIAGNOSIS AND TESTING		ENGINE COOLANT THERMOSTAT	
COOLING SYSTEM LEAKS	10	REMOVAL	16
STANDARD PROCEDURE		INSTALLATION	16
ADDING ADDITIONAL COOLANT	12	FAN DRIVE VISCOUS CLUTCH	
DRAINING COOLING SYSTEM	12	REMOVAL	17
REFILLING COOLING SYSTEM	13	INSTALLATION	17
COOLANT LEVEL SENSOR		RADIATOR	
REMOVAL	13	REMOVAL	17
INSTALLATION	14	INSTALLATION	19
RADIATOR FAN		RADIATOR PRESSURE CAP	
REMOVAL	14	DESCRIPTION	19
INSTALLATION	14	OPERATION	20
ENGINE BLOCK HEATER		DIAGNOSIS AND TESTING - RADIATOR	
REMOVAL	14	PRESSURE CAP	20
INSTALLATION	15	WATER PUMP	
ENGINE COOLANT TEMP SENSOR		REMOVAL	20
DESCRIPTION	15	INSTALLATION	22

COOLANT

DESCRIPTION

Coolant flows through the engine water jackets and cylinder heads absorbing heat produced by the engine during operation. The coolant carries heat to the radiator and heater core. Here it is transferred to ambient air passing through the radiator and heater core fins.

The required ethylene-glycol (antifreeze) and water mixture depends upon the climate and vehicle operating conditions. The recommended mixture of 50/50 ethylene-glycol and water will provide protection against freezing to -37° C (-35° F). The antifreeze concentration **must always** be a minimum of 44 percent, year-round in all climates. **If percentage is lower than 44 percent, engine parts may be eroded by cavitation, and cooling system components may be severely damaged by corrosion.** Maximum protection against freezing is provided with a 68 percent antifreeze concentration, which prevents freezing down to -67.7° C (-90° F). A higher percentage will freeze at a warmer temperature. Also, a higher percentage of antifreeze can cause the engine to overheat because the specific heat of antifreeze is lower than that of water.

100 Percent Ethylene - Glycol - Should Not Be Used in Chrysler Vehicles

Use of 100 percent ethylene-glycol will cause formation of additive deposits in the system, as the corrosion inhibitive additives in ethylene-glycol require the presence of water to dissolve. The deposits act as insulation, causing temperatures to rise to as high as 149° C (300° F). This temperature is hot enough to melt plastic and soften solder. The increased temperature can result in engine detonation. In addition, 100 percent ethylene-glycol freezes at -22° C (-8° F).

Propylene - glycol Formulations - Should Not Be Used in Chrysler Vehicles

Propylene-glycol formulations do not meet Chrysler coolant specifications. It's overall effective temperature range is smaller than that of ethylene-glycol. The freeze point of 50/50 propylene-glycol and water is -32° C (-26° F), 5° C higher than ethylene-glycol's freeze point. The boiling point (protection against summer boil-over) of propylene-glycol is 125° C (257° F) at 96.5 kPa (14 psi), compared to 128° C (263° F) for ethylene-glycol. Use of propylene-glycol can result in boil-over or freeze-up in Chrysler vehicles, which are designed for ethylene-glycol. Propylene glycol also has poorer heat transfer characteristics than ethylene glycol. This can increase cylinder head temperatures under certain conditions.

Propylene - glycol / Ethylene - glycol Mixtures - Should Not Be Used in Chrysler Vehicles

Propylene-glycol/ethylene-glycol Mixtures can cause the destabilization of various corrosion inhibitors, causing damage to the various cooling system components. Also, once ethylene-glycol and propylene-glycol based coolants are mixed in the vehicle, conventional methods of determining freeze point will not be accurate. Both the refractive index and specific gravity differ between ethylene glycol and propylene glycol.

CAUTION: Richer antifreeze mixtures cannot be measured with normal field equipment and can cause problems associated with 100 percent ethylene-glycol.

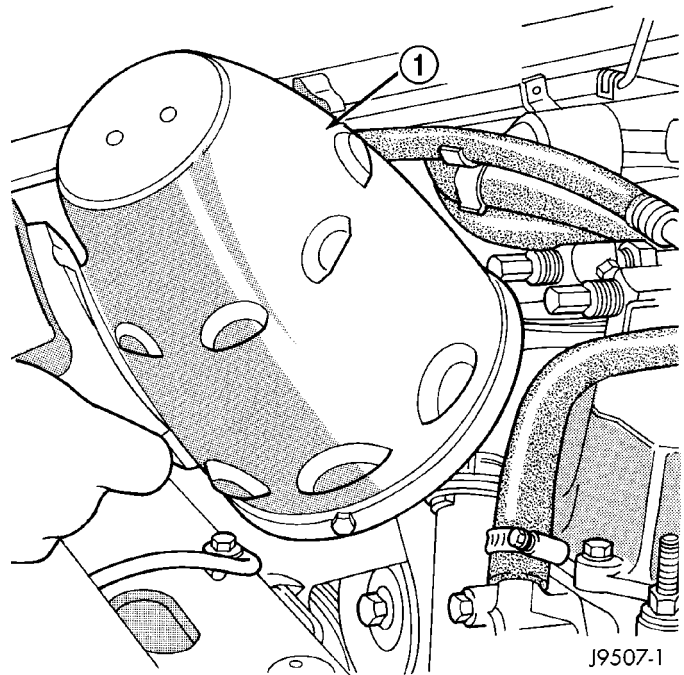
DIAGNOSIS AND TESTING

COOLING SYSTEM LEAKS

ULTRAVIOLET LIGHT METHOD

A leak detection additive is available through the parts department that can be added to cooling system. The additive is highly visible under ultraviolet light (black light). Pour one ounce of additive into cooling system. Place heater control unit in HEAT position. Start and operate engine until radiator upper hose is warm to touch. Aim the commercially available black light tool at components to be checked. If leaks are present, black light will cause additive to glow a bright green color.

The black light can be used in conjunction with a pressure tester to determine if any external leaks exist (Fig. 1).



J9507-1

Fig. 1 Leak Detection Using Black Light - Typical

1 - TYPICAL BLACK LIGHT TOOL

PRESSURE TESTER METHOD

The engine should be at normal operating temperature. Recheck the system cold if cause of coolant loss is not located during the warm engine examination.

WARNING: Hot, pressurized coolant can cause injury by scalding.

Carefully remove coolant recovery pressure container cap and check coolant level. Push down on cap to disengage it from stop tabs. Wipe inside of container and examine lower inside sealing seat for nicks, cracks, paint, dirt and solder residue. Inspect radiator-to- pressure container hose for internal obstructions. Insert a wire through the hose to be sure it is not obstructed.

Inspect cams on outside of pressure container. If cams are damaged, seating of pressure cap valve and tester seal will be affected.

Attach pressure tester (7700 or an equivalent) to coolant pressure container (Fig. 2).

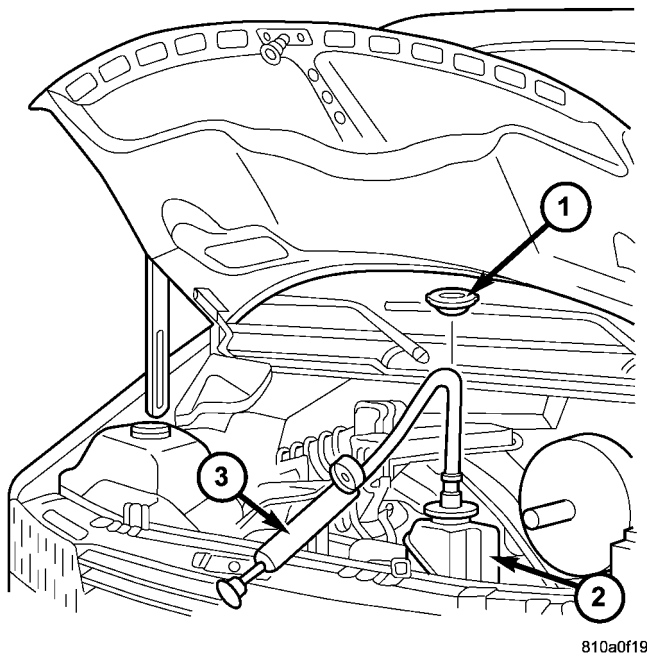


Fig. 2 PRESSURE TESTING

- 1 - PRESSURE RESERVOIR CAP
- 2 - PRESSURE RESERVOIR
- 3 - PRESSURE TESTER

Operate tester pump to apply 103.4 kPa (15 psi) pressure to system. If hoses enlarge excessively or bulges while testing, replace as necessary. Observe gauge pointer and determine condition of cooling system according to following criteria:

Holds Steady: If pointer remains steady for two minutes, serious coolant leaks are not present in system. However, there could be an internal leak that does not appear with normal system test pressure. If it is certain that coolant is being lost and leaks cannot be detected, inspect for interior leakage or perform Internal Leakage Test.

Drops Slowly: Indicates a small leak or seepage is occurring. Examine all connections for seepage or slight leakage with a flashlight. Inspect radiator, hoses, gasket edges and heater. Seal small leak holes with a Sealer Lubricant (or equivalent). Repair leak holes and inspect system again with pressure applied.

Drops Quickly: Indicates that serious leakage is occurring. Examine system for external leakage. If leaks are not visible, inspect for internal leakage. Large radiator leak holes should be repaired by a reputable radiator repair shop.

INTERNAL LEAKAGE INSPECTION

Remove engine oil pan drain plug and drain a small amount of engine oil. If coolant is present in the pan, it will drain first because it is heavier than oil. An alternative method is to operate engine for a short period to churn the oil. After this is done, remove engine dipstick and inspect for water glob-

ules. Also inspect transmission dipstick for water globules and transmission fluid cooler for leakage.

WARNING: WITH RADIATOR PRESSURE TESTER TOOL INSTALLED ON RADIATOR, DO NOT ALLOW PRESSURE TO EXCEED 110 KPA (20 PSI). PRESSURE WILL BUILD UP QUICKLY IF A COMBUSTION LEAK IS PRESENT. TO RELEASE PRESSURE, ROCK TESTER FROM SIDE TO SIDE. WHEN REMOVING TESTER, DO NOT TURN TESTER MORE THAN 1/2 TURN IF SYSTEM IS UNDER PRESSURE.

Operate engine without pressure cap on coolant container until thermostat opens. Attach a Pressure Tester to container. If pressure builds up quickly it indicates a combustion leak exists. This is usually the result of a cylinder head gasket leak or crack in engine. Repair as necessary.

If there is not an immediate pressure increase, pump the Pressure Tester. Do this until indicated pressure is within system range of 110 kPa (16 psi). Fluctuation of gauge pointer indicates compression or combustion leakage into cooling system.

Because the vehicle is equipped with a catalytic converter, **do not** remove spark plug cables or short out cylinders to isolate compression leak.

If the needle on dial of pressure tester does not fluctuate, race engine a few times to check for an abnormal amount of coolant or steam. This would be emitting from exhaust pipe. Coolant or steam from exhaust pipe may indicate a faulty cylinder head gasket, cracked engine cylinder block or cylinder head.

A convenient check for exhaust gas leakage into cooling system is provided by a commercially available Block Leak Check tool. Follow manufacturers instructions when using this product.

COMBUSTION LEAKAGE TEST - WITHOUT PRESSURE TESTER

DO NOT WASTE reusable coolant. If solution is clean, drain coolant into a clean and suitably marked container for reuse.

WARNING: Do not remove cylinder block drain plugs or loosen radiator drain with system hot and under pressure. serious burns from coolant can occur.

Drain sufficient coolant to allow thermostat removal.

Remove accessory drive belt.

Add coolant to pressure container to bring level to within 6.3 mm (1/4 in) of top of thermostat housing.

CAUTION: Avoid overheating. Do not operate engine for an excessive period of time. Open drain-cock immediately after test to eliminate boil over.

Start engine and accelerate rapidly three times, to approximately 3000 rpm while observing coolant. If internal engine combustion gases are leaking into cooling system, bubbles will appear in coolant. If bubbles do not appear, internal combustion gas leakage is not present.

STANDARD PROCEDURE

ADDING ADDITIONAL COOLANT

The use of aluminum cylinder blocks, cylinder heads and water pumps requires special corrosion protection. Only Mopar® Antifreeze/Coolant, 5 Year/100,000 Mile Formula (glycol base coolant with corrosion inhibitors called HOAT, for Hybrid Organic Additive Technology) is recommended. This coolant offers the best engine cooling without corrosion when mixed with 50% distilled water to obtain a freeze point of -37°C (-35°F). If it loses color or becomes contaminated, drain, flush, and replace with fresh properly mixed coolant solution.

CAUTION: Do not use coolant additives that are claimed to improve engine cooling.

DRAINING COOLING SYSTEM

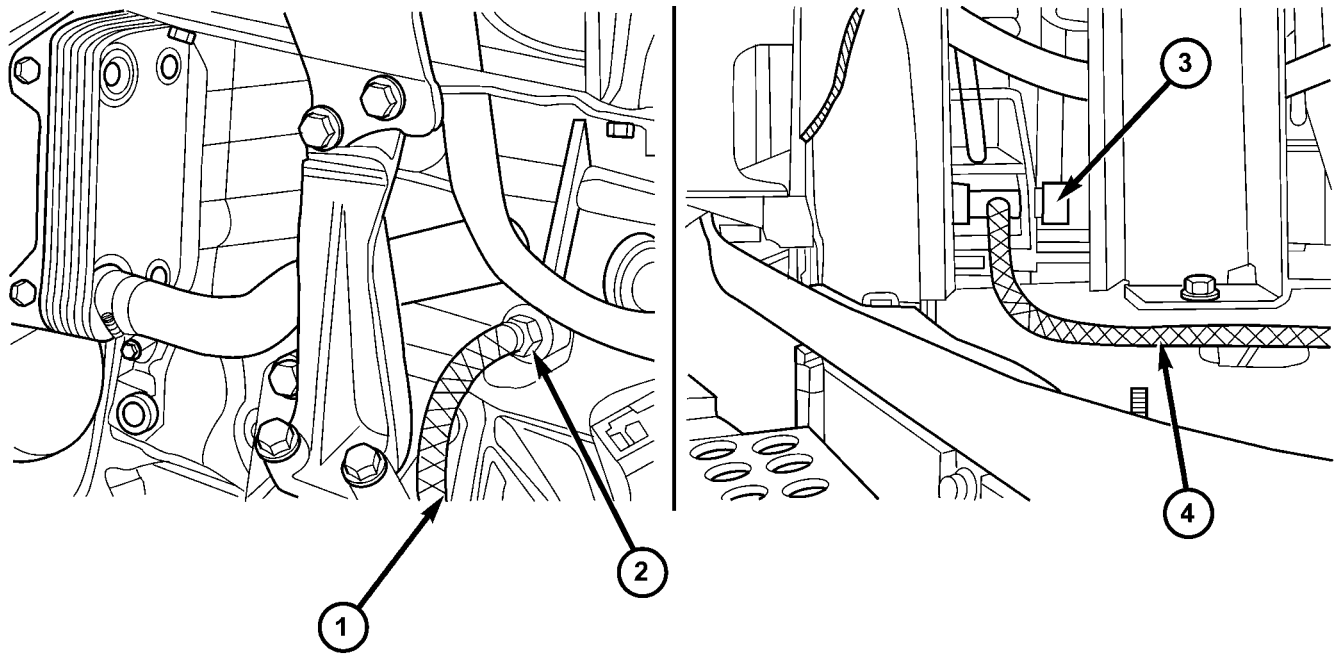
WARNING: Do not remove the cylinder block drain plug or loosen the radiator drain plug with system hot and under pressure. Serious burns from coolant can occur.

(1) DO NOT remove coolant recovery pressure container cap first. With engine cold, raise vehicle on a hoist and locate radiator draincock.

NOTE: Radiator draincock is located on the left/lower side of radiator.

(2) Attach one end of a hose to the draincock (Fig. 3). Put the other end into a clean and appropriately marked container. Open draincock and drain coolant from radiator. This will empty the coolant recovery pressure container first. The coolant does not have to be removed from the container unless the system is being refilled with a fresh mixture. When container is empty, remove cap and continue draining cooling system.

To drain the engine of coolant, loosen the cylinder block drain plug located on the side of cylinder block (Fig. 3).



810a0bfc

Fig. 3 DRAINING COOLANT SYSTEM

1 - DRAIN HOSE
2 - ENGINE DRAIN PLUG

3 - RADIATOR DRAIN PLUG
4 - DRAIN HOSE

REFILLING COOLING SYSTEM

(1) Tighten the radiator drain and the cylinder block drain plug(s) (if removed). Tighten the engine drain plug to 30 N·m (22 lbs. ft.).

(2) Fill system using a 50/50 mixture of ethylene-glycol antifreeze and low mineral content water. Fill radiator to top and add sufficient coolant to the coolant recovery pressure container to raise level to COLD MINIMUM mark.

(3) With heater control unit in the HEAT position, operate engine with container cap in place.

(4) After engine has reached normal operating temperature, shut engine off and allow it to cool. When engine is cooling down, coolant will be drawn into the radiator from the pressure container.

(5) Add coolant to pressure container as necessary. **Only add coolant to the container when the engine is cold. Coolant level in a warm engine will be higher due to thermal expansion.** To purge the cooling system of all air, this heat up/cool down cycle (adding coolant to cold engine) must be performed three times. Add necessary coolant to raise

container level to the COLD MINIMUM mark after each cool down period.

COOLANT LEVEL SENSOR

REMOVAL

WARNING: Risk of injury to skin and eyes due to scalding from hot coolant. Do not open the cooling system unless the temperature is below 194°f (90°c). Wear protective clothing and eye wear. Risk of poisoning if coolant is swallowed. Store coolant in proper and appropriately marked containers.

NOTE: Drain coolant from radiator drain plug only.

- (1) Drain coolant until the coolant reservoir is emptied.
- (2) Disconnect the wiring harness electrical connector.

(3) Turn the level sensor 90 degrees clockwise, lift up and out of the container (Fig. 4).

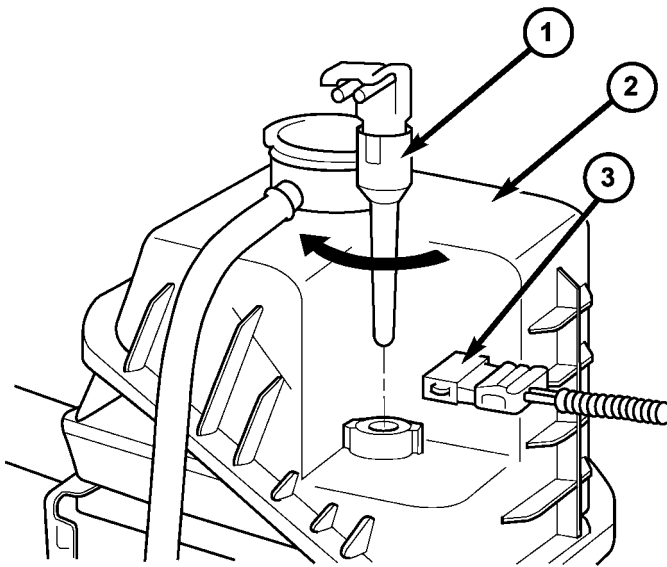


Fig. 4 COOLANT LEVEL SENSOR

810a125d

- 1 - COOLANT LEVEL SENSOR
- 2 - COOLANT RESERVIOR
- 3 - ELECTRICAL CONNECTOR

INSTALLATION

(1) Align coolant level sensor with coolant reservoir access hole, press down while turning counterclockwise 90 degrees to seat sensor (Fig. 4).

(2) Connect coolant level sensor electrical connector (Fig. 4).

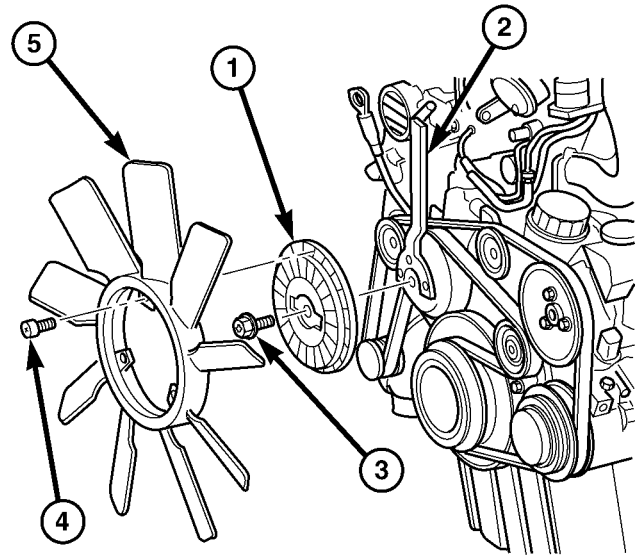
(3) Refill cooling system to proper level (Refer to 7 - COOLING/ENGINE/COOLANT - STANDARD PROCEDURE).

(4) Inspect for leaks.

RADIATOR FAN

REMOVAL

(1) Disconnect the negative battery cable.
 (2) Detach coolant line from lower radiator shroud.
 (3) The radiator fan assembly is attached (threaded) to the water pump hub shaft (Fig. 5). Remove the fan blade/viscous fan drive assembly from the water pump by turning the mounting nut counterclockwise as viewed from the front. Threads on the radiator fan drive are **RIGHT-HAND**. A 36 MM Fan Wrench should be used to prevent pulley from rotating (Fig. 5).



810a5185

Fig. 5 RADIATOR FAN

- 1 - VISCOUS CLUTCH
- 2 - COUNTERHOLDER
- 3 - CLUTCH BOLT
- 4 - FAN BOLT
- 5 - FAN

(4) Remove radiator fan shroud and radiator fan. (Fig. 5).

NOTE: Store the viscous fan clutch in the upright position. **DO NOT** place down flat.

INSTALLATION

(1) Install fan blade to viscous clutch. Tighten bolts to 9 N·m (80 lbs. in.). (Fig. 5).

(2) Install fan and clutch along with fan shroud in to engine bay area (Fig. 5).

(3) Install the center bolt of the viscous clutch. Tighten bolt to 45 N·m (33 lbs. ft.). (Fig. 5)

(4) Attach coolant line to lower radiator shroud.

(5) Properly align and clip the fan shroud into place.

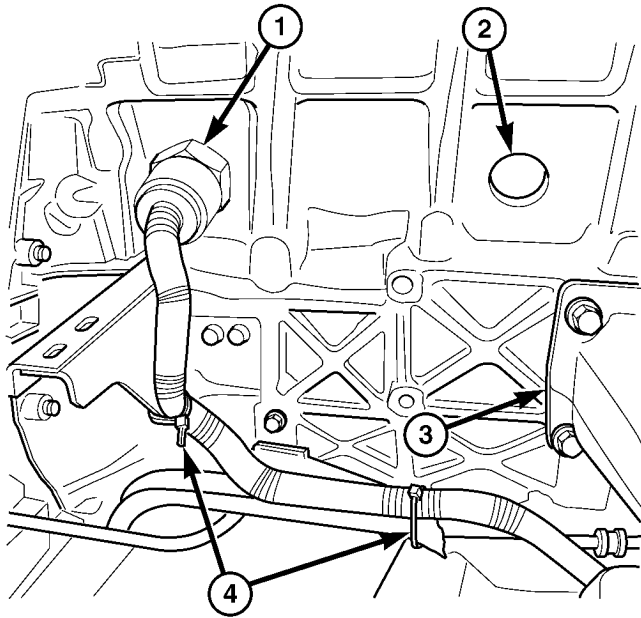
(6) Connect negative battery cable.

ENGINE BLOCK HEATER

REMOVAL

WARNING: Risk of injury to skin and eyes due to scalding from hot coolant. Do not open the cooling system unless the temperature is below 90°C (194°F). Wear protective clothing and eye wear. Risk of poisoning if coolant is swallowed. Store coolant in proper and appropriately marked containers.

- (1) Disconnect the negative battery cable.
- (2) Drain the cooling system.
- (3) Record the location and snip the wire ties.
- (4) Unscrew the engine block heater from the core plug hole and remove (Fig. 6).



81134e3b

Fig. 6 ENGINE BLOCK HEATER

- 1 - ENGINE BLOCK HEATER
- 2 - CORE PLUG
- 3 - ENGINE MOUNT
- 4 - WIRING TIE STRAPS

INSTALLATION

- (1) Screw the block heater into the core hole (Fig. 6).
- (2) Route the heater wiring harness away from and interference and secure with wiring tie straps.
- (3) Refill the cooling system.
- (4) Connect the negative battery cable.
- (5) Start the engine and inspect for leaks.

ENGINE COOLANT TEMP SENSOR

DESCRIPTION

The ECM determines the operating temperature of the engine by using the signal from the coolant temperature sensor. The coolant temperature sensor has a negative temperature coefficient (NTC) resistor contained in the plastic housing. NTC means; the higher the temperature, then the lower the resistance. The ECM also uses the coolant temperature sensor signal to calculate glow plug relay triggering. If the coolant temperature sensor fails during operation, the ECM will switch on the cooling fan to prevent engine overheating (A/C models only).

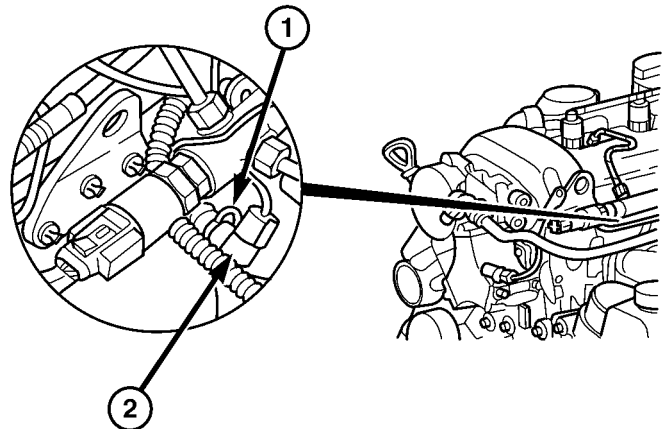
REMOVAL

WARNING: Risk of injury to skin and eyes from scalding with hot coolant. Risk of poisoning from swallowing coolant. Do not open cooling system unless coolant temperature is below 90°C. Open cap slowly to release pressure. Store coolant in suitable and appropriately marked container. Wear protective gloves, clothes and eye wear.

- (1) Disconnect negative battery cable.
- (2) Remove engine cover (Refer to 9 - ENGINE - REMOVAL).
- (3) Partailly drain coolant system (Refer to 7 - COOLING/ENGINE/COOLANT - STANDARD PROCEDURE).
- (4) Unplug coolant temperature sensor electrical connector.

NOTE: Capture any residual coolant that may flow.

- (5) Remove coolant temperature sensor (Fig. 7).



80e1b7b5

Fig. 7 ENGINE COOLANT TEMPERATURE SENSOR

- 1 - RETAINING CLAMP
- 2 - ENGINE COOLANT TEMPERATURE SENSOR

INSTALLATION

WARNING: Risk of injury to skin and eyes from scalding with hot coolant. Risk of poisoning from swallowing coolant. Do not open cooling system unless coolant temperature is below 90°C (194°F). Open cap slowly to release pressure. store coolant in suitable and appropriately marked container. Wear protective gloves, clothes and eye wear.

- (1) Position and install coolant temperature sensor (Fig. 7).
- (2) Connect coolant temperature sensor electrical connector (Fig. 7).

(3) Refill coolant system to proper level with proper mixture of coolant (Refer to 7 - COOLING/ENGINE/COOLANT - STANDARD PROCEDURE).

(4) Install engine cover (Refer to 9 - ENGINE - INSTALLATION).

(5) Connect negative battery cable.

WARNING: Use extreme caution when engine is operating. Do not stand in a direct line with fan. do not put your hands near pulleys, belts or fan. Do not wear loose clothes.

(6) Start engine and inspect for leaks.

ENGINE COOLANT THERMOSTAT

REMOVAL

WARNING: RISK OF INJURY TO SKIN AND EYES FROM SCALDING WITH HOT COOLANT. RISK OF POISONING FROM SWALLOWING COOLANT. DO NOT OPEN COOLING SYSTEM UNLESS COOLANT TEMPERATURE IS BELOW 90°C (194°F). OPEN CAP SLOWLY TO RELEASE PRESSURE. STORE COOLANT IN SUITABLE AND APPROPRIATELY MARKED CONTAINER. WEAR PROTECTIVE GLOVES, CLOTHES AND EYE WEAR.

NOTE: Inspect condition of all clamps and hoses, replace as necessary.

(1) Disconnect negative battery cable.

(2) Partially drain engine coolant (Refer to 7 - COOLING/ENGINE/COOLANT - STANDARD PROCEDURE).

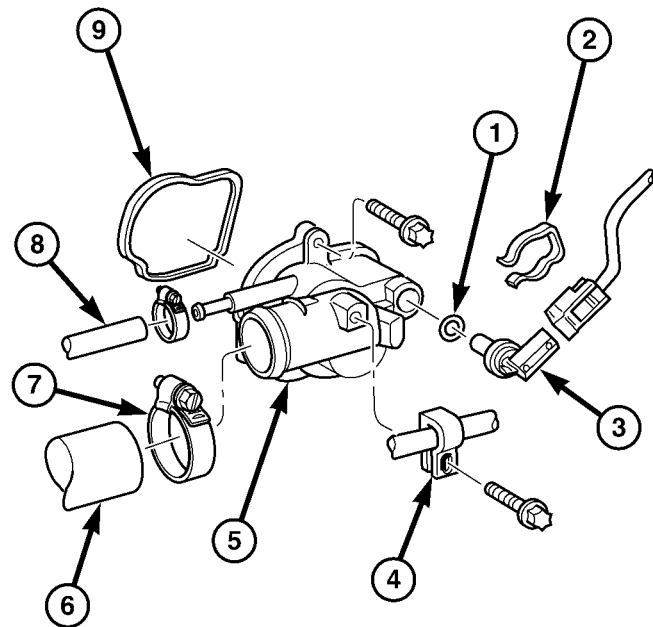
(3) Unplug connector, pull off locking element and pull out coolant temperature sensor.

(4) Detach air intake hose at charge air distribution pipe.

(5) Detach coolant hoses at thermostat housing.

(6) Unscrew cap at oil filter housing.

(7) Remove thermostat housing (Fig. 8).



810a2a46

Fig. 8 THERMOSTAT HOUSING ASSEMBLY

- 1 - O-RING
- 2 - CLAMP
- 3 - COOLANT TEMPERATURE SENSOR
- 4 - FUEL LINE W/BRACKET
- 5 - THERMOSTAT HOUSING ASSEMBLY
- 6 - COOLANT HOSE
- 7 - CLAMP
- 8 - COOLANT HOSE
- 9 - GASKET

(8) Clean all sealing surfaces.

INSTALLATION

(1) Clean all sealing surfaces.

(2) Position and install thermostat housing with new gasket (Fig. 8). Tighten bolts to 9N·m (80 lbs.in.).

NOTE: Inspect condition of all clamps and hoses, replace as necessary.

(3) Install cap at oil filter housing.

(4) Connect coolant hoses and vent hose (Fig. 8).

(5) Attach air intake hose at charge air distribution pipe.

(6) Close coolant drain.

(7) Connect negative battery cable.

(8) Fill coolant system to proper level with appropriate coolant mixture (Refer to 7 - COOLING/ENGINE/COOLANT - STANDARD PROCEDURE).

WARNING: USE EXTREME CAUTION WHEN ENGINE IS OPERATING. DO NOT STAND IN DIRECT LINE WITH FAN. DO NOT PUT YOUR HANDS NEAR PULLEYS, BELTS OR FAN. DO NOT WEAR LOOSE CLOTHES.

(9) Start engine and inspect for leaks.

FAN DRIVE VISCOUS CLUTCH

REMOVAL

(1) For fan drive viscous clutch removal refer to (Refer to 7 - COOLING/ENGINE/RADIATOR FAN - REMOVAL).

INSTALLATION

(1) For fan drive viscous clutch installation refer to (Refer to 7 - COOLING/ENGINE/RADIATOR FAN - INSTALLATION).

RADIATOR

REMOVAL

WARNING: RISK OF INJURY TO SKIN AND EYES FROM SCALDING WITH HOT COOLANT. RISK OF POISONING FROM SWALLOWING COOLANT. DO NOT OPEN COOLING SYSTEM UNLESS COOLANT TEMPERATURE IS BELOW 90°C (194°F). OPEN CAP SLOWLY TO RELEASE PRESSURE. STORE COOLANT IN SUITABLE AND APPROPRIATELY MARKED CONTAINER. WEAR PROTECTIVE GLOVES, CLOTHES AND EYE WEAR.

NOTE: Capture all residual fluid spillage and store in suitably marked containers. Inspect condition of all clamps and hoses, replace as necessary.

(1) Drain coolant from radiator only (Refer to 7 - COOLING/ENGINE/COOLANT - STANDARD PROCEDURE).

(2) Remove headlamps.

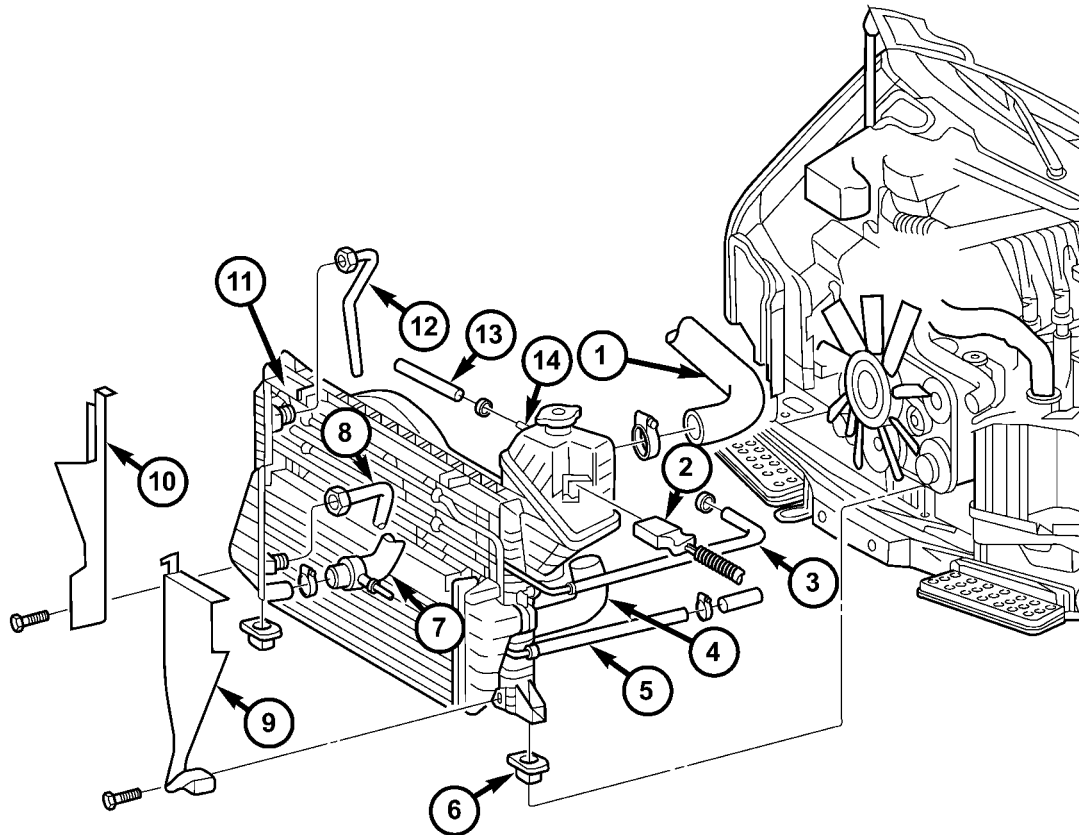
(3) Remove front cross member together with front grille.

(4) Remove front bumper.

(5) Remove bolts holding air charge hose to sheet metal and intercooler.

(6) Detach air intake pipe at the body (Fig. 9).

(7) Detach both coolant hoses at the coolant reservoir (Fig. 9).



810a63e9

Fig. 9 RADIATOR ASSEMBLY

- 1 - COOLANT HOSE
- 2 - SENSOR HARNESS CONNECTOR
- 3 - HYDRAULIC HOSE
- 4 - CHARGE AIR HOSE
- 5 - HYDRAULIC HOSE
- 6 - RUBBER GROMMET
- 7 - COOLANT HOSE

- 8 - ATF LINE
- 9 - LEFT RADIATOR TRIM PANEL
- 10 - RIGHT RADIATOR TRIM PANEL
- 11 - RADIATOR
- 12 - ATF LINE
- 13 - COOLANT HOSE
- 14 - COOLANT RESERVOIR

(8) Unplug wiring connector at coolant level sensor (Fig. 9).

(9) Detach coolant hose at bottom right of radiator (Fig. 9).

(10) Detach transmission cooler lines at radiator (Fig. 9).

(11) Remove the radiator trim from the left and right (Fig. 9).

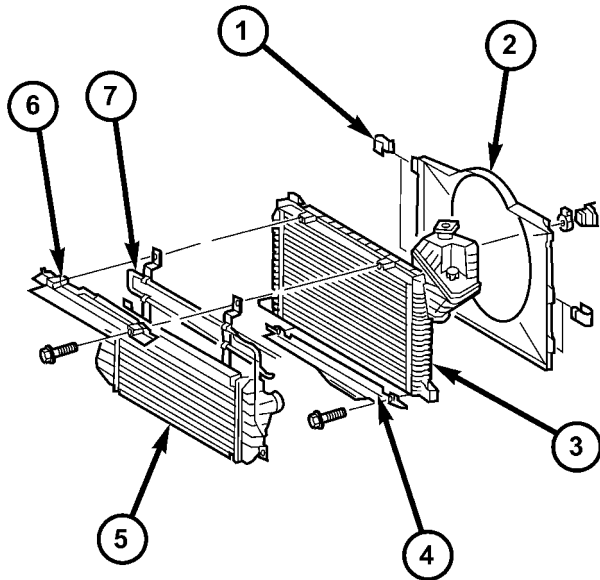
(12) Remove radiator fan (Refer to 7 - COOLING/ENGINE/RADIATOR FAN - REMOVAL).

(13) Remove bolts securing intercooler to radiator.

(14) Remove screws and upper radiator trim from radiator.

(15) Move condenser/intercooler/power steering cooler assembly forward.

(16) Lift the radiator assembly up and out of the rubber grommets (Fig. 9).



810a64f6

Fig. 10 RADIATOR AND FAN SHROUD

- 1 - CLIP
- 2 - SHROUD
- 3 - RADIATOR
- 4 - BOTTOM RADIATOR TRIM PANEL
- 5 - CHARGE AIR COOLER
- 6 - TOP RADIATOR TRIM PANEL
- 7 - POWER STEERING COOLER LOOP

- (17) Take off charge air cooler together with cooling loop of the steering at the radiator (Fig. 10).
- (18) Remove bottom radiator trim (Fig. 10).
- (19) Detach coolant hose at radiator.
- (20) Detach coolant pipe together with coolant hose at the fan shroud.
- (21) Remove radiator fan shroud (Fig. 10).

INSTALLATION

- (1) Install fan shroud to radiator (Fig. 10).
- (2) Attach coolant pipe with hoses to fan shroud (Fig. 10).
- (3) Attach coolant hose at radiator (Fig. 10).
- (4) Install bottom radiator trim (Fig. 10).
- (5) Install charge air cooler along with cooling loop of the power steering, to radiator (Fig. 10).
- (6) Install radiator assembly into the rubber grommets (Fig. 9).
- (7) Install both right and left side radiator trim panels (Fig. 9).
- (8) Attach the transmission cooler lines (Fig. 9).
- (9) Attach coolant hose to the bottom right of the radiator (Fig. 9).
- (10) Attach both power steering hydraulic lines (Fig. 9).
- (11) Connect coolant level sensor electrical connector (Fig. 9).
- (12) Connect coolant hoses to the coolant reservoir, radiator and water pump (Fig. 9).

- (13) Attach air intake pipe at the body.
- (14) Attach charge air hose at air intake.
- (15) Attach charge air hose at turbocharger.
- (16) Install A/C condenser.
- (17) Install front bumper.
- (18) Install front end cross member.
- (19) Refill power steering to proper level.
- (20) Refill transmission to proper level.
- (21) Close radiator drain plug and refill the cooling system (Refer to 7 - COOLING/ENGINE/COOLANT - STANDARD PROCEDURE).
- (22) Recharge air conditioning (Refer to 24 - HEATING & AIR CONDITIONING/PLUMBING - STANDARD PROCEDURE).
- (23) Run engine until warm and check for leaks.

RADIATOR PRESSURE CAP

DESCRIPTION

All vehicles are equipped with a pressure cap (Fig. 11). This cap releases pressure at some point within a range of 124-145 kPa (18-21 psi). The pressure relief point (in pounds) is engraved on top of the cap. The cooling system will operate at pressures slightly above atmospheric pressure. This results in a higher coolant boiling point allowing increased radiator cooling capacity. The cap contains a spring-loaded pressure relief valve. This valve opens when system pressure reaches the release range of 124-145 kPa (18-21 psi).

A rubber gasket seals the radiator filler neck. This is done to maintain vacuum during coolant cool-down and to prevent leakage when system is under pressure.

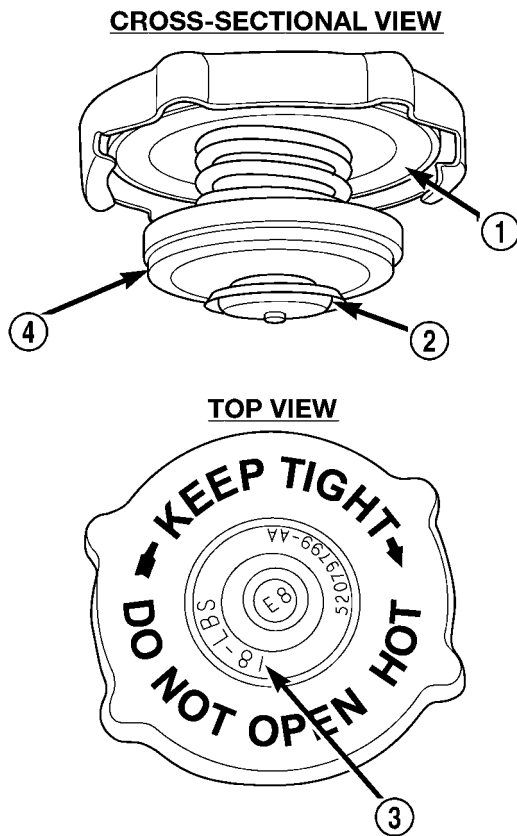


Fig. 11 Radiator Pressure Cap - Typical

- 1 - FILLER NECK SEAL
- 2 - VACUUM VENT VALVE
- 3 - PRESSURE RATING
- 4 - PRESSURE VALVE

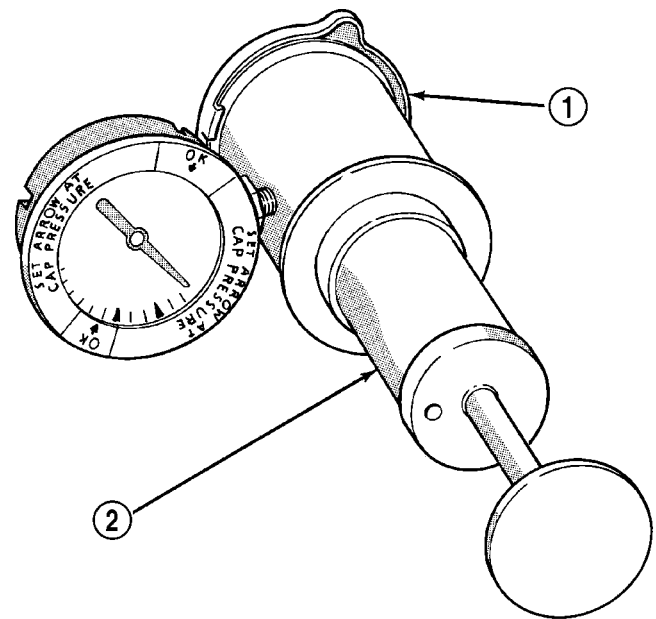
80bc4e65

OPERATION

A vent valve in the center of the cap will remain shut as long as the cooling system is pressurized. As the coolant cools, it contracts and creates a vacuum in cooling system. This causes the vacuum valve to open and coolant in reserve/overflow tank to be drawn through connecting hose into radiator. If the vacuum valve is stuck shut, or overflow hose is kinked, radiator hoses will collapse on cool-down.

DIAGNOSIS AND TESTING - RADIATOR PRESSURE CAP

Remove cap from radiator. Be sure that sealing surfaces are clean. Moisten rubber gasket with water and install the cap on pressure tester Tool 7700 or an equivalent (Fig. 12).



J9507-3

Fig. 12 Pressure Testing Radiator Pressure Cap - Typical

- 1 - PRESSURE CAP
- 2 - TYPICAL COOLING SYSTEM PRESSURE TESTER

Operate the tester pump and observe the gauge pointer at its highest point. The cap release pressure should be 124-145 kPa (18-21 psi). The cap is satisfactory when the pressure holds steady. It is also good if it holds pressure within the 124-145 kPa (18-21 psi) range for 30 seconds or more. If the pointer drops quickly, replace the cap.

CAUTION: Radiator pressure testing tools are very sensitive to small air leaks, which will not cause cooling system problems. A pressure cap that does not have a history of coolant loss should not be replaced just because it leaks slowly when tested with this tool. Add water to tool. Turn tool upside down and recheck pressure cap to confirm that cap needs replacement.

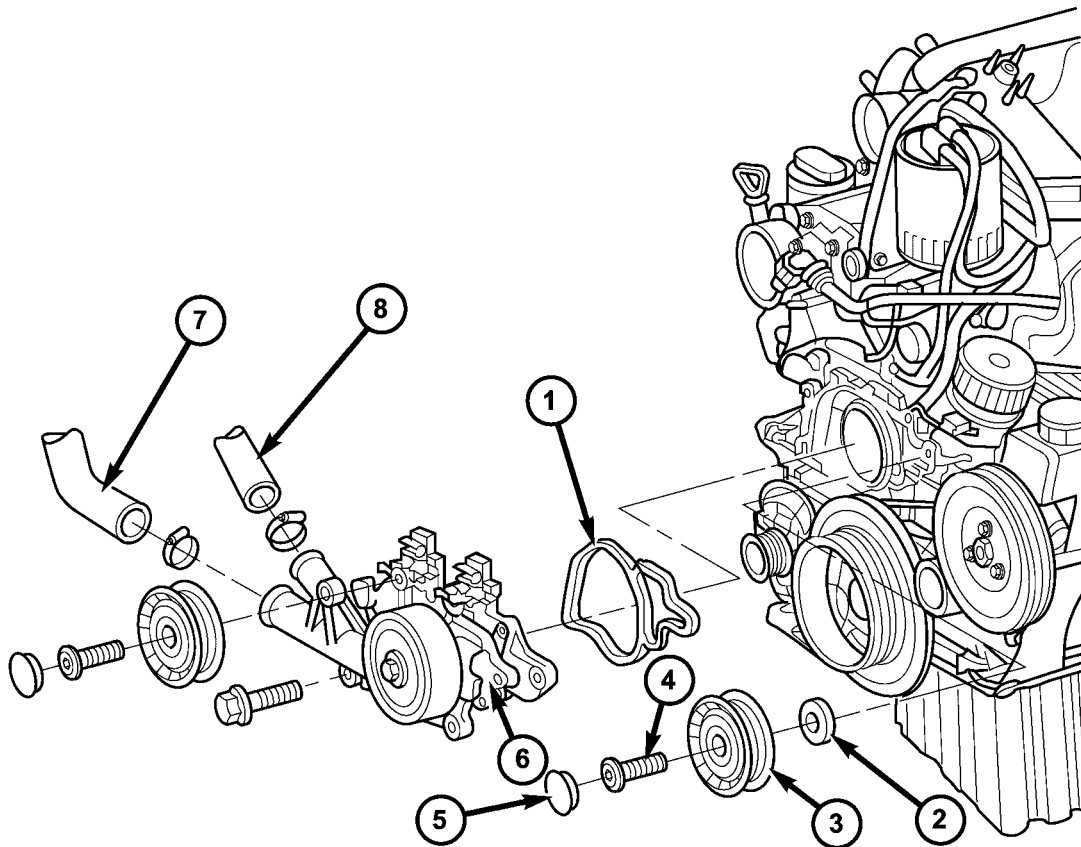
WATER PUMP

REMOVAL

WARNING: Risk of injury to skin and eyes from scalding with hot coolant. Risk of poisoning from swallowing coolant. Do not open cooling system unless coolant temperature is below 90°C (194°F). Open cap slowly to release pressure. store coolant in suitable and appropriately marked container. Wear protective gloves, clothes and eye wear.

NOTE: Inspect condition of all clamps and hoses, replace as necessary.

- (1) Disconnect the negative battery cable.
- (2) Drain cooling system (Refer to 7 - COOLING/ENGINE/COOLANT - STANDARD PROCEDURE).
- (3) Remove viscous fan clutch.
- (4) Detach fuel lines from the brackets at the water pump.
- (5) Detach the coolant hoses at the water pump (Fig. 13).



810a27cb

Fig. 13 WATER PUMP

1 - GASKET
2 - WASHER
3 - GUIDE PULLEY
4 - BOLT

5 - CAP
6 - WATER PUMP
7 - COOLANT HOSE
8 - COOLANT HOSE

- (6) Press off cap at belt guide pulleys.
- (7) Remove belt guide pulleys.
- (8) Remove water pump retaining bolts and remove water pump.

INSTALLATION

NOTE: Clean all mating surfaces.

(1) Fit existing accessory drive belt pulley onto the water pump.

(2) Properly position water pump with new gasket to the engine and tighten bolts to 14 N·m (124 lbs. in.), M8 (20 N·m (177 lbs. in.)) (Fig. 13).

NOTE: Be sure to install the washer behind the guide pulley to assure proper alignment.

(3) Install belt guide pulleys. Tighten bolts to 35 N·m (26 lbs. ft.) (Fig. 13).

(4) Attach the coolant hoses to the water pump and tighten clamps (Fig. 13).

(5) Attach fuel lines to the brackets at the water pump.

- (6) Install accessory drive belt.
- (7) Install viscous fan clutch.
- (8) Close radiator and or engine drain plug.
- (9) Refill cooling system to proper level (Refer to 7 - COOLING/ENGINE/COOLANT - STANDARD PROCEDURE). Check for leaks.

AUDIO / VIDEO

TABLE OF CONTENTS

	page		page
AUDIO		INSTALLATION	2
SPECIAL TOOLS		RADIO	
AUDIO	1	REMOVAL	2
ANTENNA BODY & CABLE		INSTALLATION	2
REMOVAL	1	SPEAKER	
INSTALLATION	1	REMOVAL	2
INSTRUMENT PANEL ANTENNA CABLE		INSTALLATION	3
REMOVAL	2		

AUDIO

SPECIAL TOOLS

AUDIO

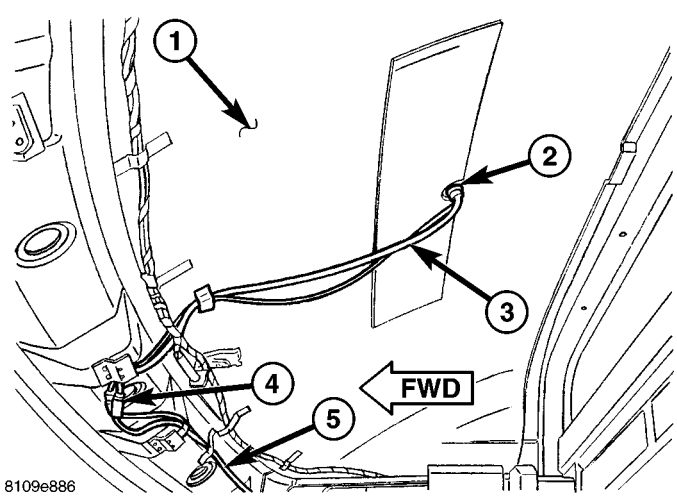
SPECIAL TOOL CROSS REFERENCE CHART

MB TOOL #	MILLER TOOL #	DESCRIPTION
000 589	9241	RADIO EXTRACTION TOOL
88 63 00		

ANTENNA BODY & CABLE

REMOVAL

- (1) Disconnect and isolate the battery negative cable.
- (2) Remove the portion of the headliner over the front seat passengers (Refer to 23 - BODY/INTERIOR/HEADLINER - REMOVAL).
- (3) Disconnect the antenna and electrical connections near the windshield (Fig. 1).



8109e886

Fig. 1 ANTENNA CABLE

- 1 - ROOF PANEL
- 2 - MOUNTING NUT
- 3 - ANTENNA CABLE
- 4 - ELECTRICAL CONNECTOR
- 5 - INSTRUMENT PANEL ANTENNA CABLE

- (4) Remove the mounting nut.
- (5) Remove the antenna assembly from the roof and pull wire harness and cable through roof opening.

INSTALLATION

- (1) Feed wire harness and cable through roof opening and position antenna to roof panel.
- (2) Install and tighten antenna mounting nut.
- (3) Connect the antenna and electrical connections near the windshield.
- (4) Install the headliner (Refer to 23 - BODY/INTERIOR/HEADLINER - INSTALLATION).
- (5) Connect the battery negative cable.

INSTRUMENT PANEL ANTENNA CABLE

REMOVAL

- (1) Disconnect and isolate the battery negative cable.
- (2) Remove the A-pillar trim (Refer to 23 - BODY/INTERIOR/A-PILLAR TRIM - REMOVAL).
- (3) Remove the portion of the headliner over the front seat passengers (Refer to 23 - BODY/INTERIOR/HEADLINER - REMOVAL).
- (4) Disconnect the antenna and electrical connections near the windshield.
- (5) Remove the glove box (Refer to 23 - BODY/INSTRUMENT PANEL/GLOVE BOX - REMOVAL).
- (6) Remove the radio (Refer to 8 - ELECTRICAL/AUDIO/RADIO - REMOVAL).
- (7) Cut both ends of existing cable close to the instrument panel (Fig. 2).

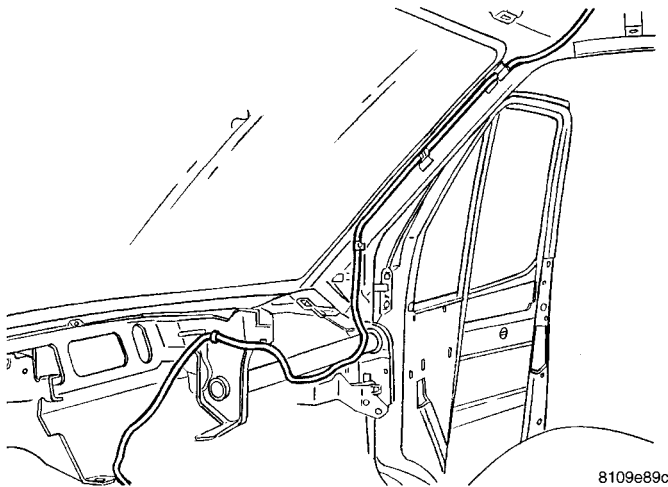


Fig. 2 INSTRUMENT PANEL ANTENNA CABLE

INSTALLATION

- (1) Insert new cable through glove box opening to the radio opening in the instrument panel.
- (2) Route cable up the A-pillar and connect to the antenna body and cable.
- (3) Connect the antenna and electrical connections near the windshield.
- (4) Attach antenna cable to instrument panel wire harness.
- (5) Install glove box (Refer to 23 - BODY/INSTRUMENT PANEL/GLOVE BOX - INSTALLATION).
- (6) Install the headliner (Refer to 23 - BODY/INTERIOR/HEADLINER - INSTALLATION).
- (7) Install the A-pillar trim (Refer to 23 - BODY/INTERIOR/A-PILLAR TRIM - INSTALLATION).
- (8) Install the radio (Refer to 8 - ELECTRICAL/AUDIO/RADIO - INSTALLATION).
- (9) Connect the battery negative cable.

RADIO

REMOVAL

- (1) Disconnect and isolate the battery negative cable.
- (2) Using special tool 9241 or equivalent, insert one into each slot on the face of the radio (Fig. 3).

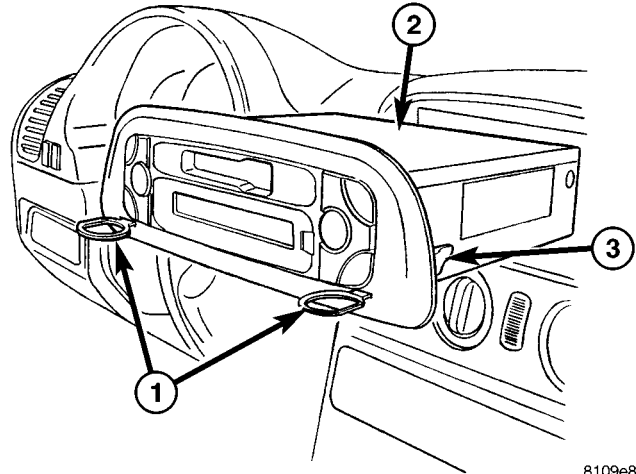


Fig. 3 RADIO

- 1 - SPECIAL TOOL 9241
2 - RADIO
3 - RETAINING TAB

- (3) Disconnect wire harness connector and antenna from radio.

INSTALLATION

- (1) Connect wire harness connector and antenna to radio.
- (2) Position radio to instrument panel and push into place.
- (3) Connect battery negative cable.

SPEAKER

REMOVAL

- (1) Disconnect and isolate the battery cable.
- (2) Remove the A-pillar trim (Refer to 23 - BODY/INTERIOR/A-PILLAR TRIM - REMOVAL).
- (3) Remove speaker grill (Fig. 4).

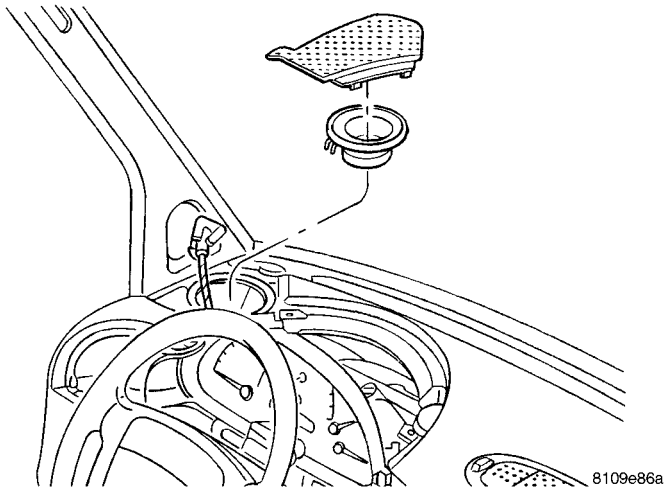


Fig. 4 INSTRUMENT PANEL SPEAKER

- (4) Using a trim stick (C-4755 or equivalent), pry up on the speaker.
- (5) Disconnect electrical harness connector and remove speaker.

INSTALLATION

- (1) Install wire harness connector.
- (2) Place speaker into instrument panel.
- (3) Install speaker grille.
- (4) Install the A-pillar trim (Refer to 23 - BODY/ INTERIOR/A-PILLAR TRIM - INSTALLATION).
- (5) Connect the battery negative cable.

CHIME / BUZZER

TABLE OF CONTENTS

	page		page
CHIME/BUZZER		DIAGNOSIS AND TESTING - CHIME	
DESCRIPTION	1	WARNING SYSTEM	2
OPERATION	1		

CHIME / BUZZER

DESCRIPTION

A chime warning system is standard factory-installed equipment. The chime warning system uses a chime tone generator and a contactless relay that are soldered onto the electronic circuit board inside the ElectroMechanical Instrument Cluster (EMIC) to provide audible indications of various vehicle conditions that may require the attention of the vehicle operator or occupants. The microprocessor-based EMIC utilizes electronic messages received from other modules in the vehicle over the Controller Area Network (CAN) data bus network along with hard wired inputs to the cluster to monitor many sensors and switches throughout the vehicle. In response to those inputs, the circuitry and internal programming of the EMIC allow it to control audible outputs that are produced through its on-board chime tone generator and contactless relay.

The EMIC circuitry and its chime tone generator are capable of producing the following audible outputs:

- **Single Chime Tone** - A single, extended “beep-like” chime tone is issued as a seat belt reminder.
- **Fast Rate Repetitive Chime Tone** - Repeated “beep-like” tones that are issued at a fast rate as an audible alert and to support various visual warnings.
- **Slow Rate Repetitive Click Tone** - Repeated “click-like” tones that are issued at a slow rate to emulate turn signal and hazard flasher operation.
- **Fast Rate Repetitive Click Tone** - Repeated “click-like” tones that are issued at a fast rate to emulate turn signal flasher operation with a bulb out.

Hard wired circuitry connects the EMIC and the various chime warning switch and sensor inputs to their respective modules and to each other through the electrical system of the vehicle. These hard wired circuits are integral to the vehicle wire harness, which is routed throughout the vehicle and retained by many different methods. These circuits may be connected to each other, to the vehicle electrical system and to the EMIC through the use of a combination of soldered splices, splice block connectors, and

many different types of wire harness terminal connectors and insulators. Refer to the appropriate wiring information. The wiring information includes wiring diagrams, proper wire and connector repair procedures, further details on wire harness routing and retention, as well as pin-out and location views for the various wire harness connectors, splices and grounds.

The EMIC chime tone generator and contactless relay cannot be adjusted or repaired. If the chime tone generator or contactless relay are damaged or faulty, the entire EMIC unit must be replaced.

OPERATION

The chime warning system components operate on battery current received through a non-switched fused B(+) circuit so that the system may operate regardless of the ignition switch position. The ElectroMechanical Instrument Cluster (EMIC) also monitors the ignition switch position so that some chime features will only occur with ignition switch in the On position, while others occur regardless of the ignition switch position.

The chime warning system provides an audible indication to the vehicle operator or occupants under the following conditions:

- **Engine Oil Level Low Warning** - Each time the ignition switch is turned to the On position, the EMIC chime tone generator will generate a fast rate repetitive chime tone if electronic messages are received over the Controller Area Network (CAN) data bus from the Engine Control Module (ECM) indicating that the engine level is too low. The ECM uses internal programming and hard wired inputs from the engine oil level and temperature sensor to determine the engine oil level. This audible warning occurs in concert with the visual warning provided by the multi-function indicator in the cluster.
- **Fasten Seat Belt Reminder** - Each time the ignition switch is turned to the On position, the EMIC chime tone generator will generate a single extended chime tone for a duration of about six seconds, or until the driver side front seat belt is fastened, whichever occurs first. The EMIC uses internal programming and a hard wired input from the driver side front seat belt switch to determine

the status of the driver side front seat belt. This audible warning occurs independent of the visual warning provided by the EMIC "Seatbelt" indicator.

- **Lights-On Warning** - The EMIC chime tone generator will generate repetitive chime tones at a fast rate when either front door is opened with the ignition switch in any position except On, and the exterior lights are turned On. The EMIC uses internal programming and hard wired inputs from the left (lighting) control stalk of the multi-function switch, the ignition switch, and both front door jamb switches to determine the current status of these switches. This chime will continue to sound until the exterior lighting is turned Off, until the ignition switch is turned to the On position, or until both front doors are closed, whichever occurs first.

- **Key-In-Ignition Warning** - The EMIC chime tone generator will generate repetitive chime tones at a fast rate when the key is in the ignition lock cylinder, the ignition switch is in any position except On, and either front door is opened. The EMIC uses internal programming and hard wired inputs from the key-in ignition switch, the ignition switch, and both front door jamb switches to determine the current status of these switches. The chime will continue to sound until the key is removed from the ignition lock cylinder, until the ignition switch is turned to the On position, or until both front doors are closed, whichever occurs first.

- **Audible Turn Signal/Hazard Warning Support** - The EMIC contactless relay will generate repetitive clicks at a slow rate during normal turn signal/hazard warning operation, or at a fast rate when a turn signal lamp bulb or circuit is inoperative, in concert with the operation of the turn signal indicators in the cluster. These clicks are designed to emulate the sound of the opening and closing of the contact points in a conventional electromechanical turn signal or hazard warning flasher. The EMIC uses a hard wired input received from the turn signal relay in the fuse block beneath the steering column through the turn signal or hazard warning switch circuitry of the multi-function switch to determine when to flash the turn signal indicators and activate the contactless relay on the cluster electronic circuit board. The turn signal clicks will continue to sound until the turn signal switch is turned Off, or until the ignition switch is turned to the Off position, whichever occurs first. The hazard warning clicks will continue to sound until the hazard warning switch is turned Off.

The EMIC provides chime service for all available features in the chime warning system. The EMIC relies upon its internal programming and hard wired inputs from the front door ajar switches, the key-in ignition switch, the ignition switch, the seat belt switch, and the turn signal/hazard warning (multi-function) switches. The EMIC relies upon electronic message inputs

received from other electronic modules over the CAN data bus network to provide chime service for the low engine oil level warning. Upon receiving the proper inputs, the EMIC activates the chime tone generator or the contactless relay to provide the audible warning to the vehicle operator. The internal programming of the EMIC determines the priority of each chime request input that is received, as well as the rate and duration of each tone that is to be generated. See the owner's manual in the vehicle glove box for more information on the features provided by the chime warning system.

The hard wired chime warning system inputs to the EMIC, as well as other hard wired circuits for this system may be diagnosed and tested using conventional diagnostic tools and procedures. However, conventional diagnostic methods may not prove conclusive in the diagnosis of the EMIC, the CAN data bus network, or the electronic message inputs used by the EMIC to provide chime warning system service. The most reliable, efficient, and accurate means to diagnose the EMIC, the CAN data bus network, and the electronic message inputs for the chime warning system requires the use of a diagnostic scan tool. Refer to the appropriate diagnostic information.

DIAGNOSIS AND TESTING - CHIME WARNING SYSTEM

WARNING: To avoid personal injury or death, on vehicles equipped with airbags, disable the supplemental restraint system before attempting any steering wheel, steering column, airbag, seat belt tensioner, or instrument panel component diagnosis or service. Disconnect and isolate the battery negative (ground) cable, then wait two minutes for the system capacitor to discharge before performing further diagnosis or service. This is the only sure way to disable the supplemental restraint system. Failure to take the proper precautions could result in accidental airbag deployment.

The hard wired chime warning system inputs to the ElectroMechanical Instrument Cluster (EMIC), as well as other hard wired circuits for this system may be diagnosed and tested using conventional diagnostic tools and procedures. However, conventional diagnostic methods may not prove conclusive in the diagnosis of the EMIC, the Controller Area Network (CAN) data bus network, or the electronic message inputs used by the EMIC to provide chime warning system service. The most reliable, efficient, and accurate means to diagnose the EMIC, the CAN data bus network, and the electronic message inputs for the chime warning system requires the use of a diagnostic scan tool. Refer to the appropriate diagnostic information.

ELECTRONIC CONTROL MODULES

TABLE OF CONTENTS

	page		page
CENTRAL TIMER MODULE		INSTALLATION	3
DESCRIPTION	1	ENGINE CONTROL MODULE	
OPERATION	1	DESCRIPTION	3
DIAGNOSIS AND TESTING - CENTRAL TIMER		REMOVAL	6
MODULE	2	INSTALLATION	6
REMOVAL	2	TRANSMISSION CONTROL MODULE	
INSTALLATION	3	DESCRIPTION	6
CONTROLLER ANTILOCK BRAKE		OPERATION	7
DESCRIPTION	3	STANDARD PROCEDURE - TCM ADAPTATION .	10
REMOVAL	3		

CENTRAL TIMER MODULE

DESCRIPTION

The central timer module (CTM) is located beneath the driver seat. The CTM uses information carried on the programmable communications interface (PCI) data bus network along with many hard wired inputs to monitor many sensor and switch inputs. In response to those inputs, the circuitry and programming of the CTM allow it to supply the vehicle occupants with audible and visual information, and to control and integrate many functions and features of the vehicle through both hard wired outputs and the transmission of message outputs to other modules in the vehicle over the PCI data bus.

The features that the CTM supports or controls include the following:

- **Central Locking** - The CTM on vehicles equipped with the optional Vehicle Theft Security System (VTSS) includes a central locking/unlocking feature.
- **Enhanced Accident Response** - The CTM provides an optional enhanced accident response feature. This is a programmable feature.
- **Panic Mode** - The CTM provides support for the optional RKE system panic mode including horn, headlamp, and park lamp flash features.
- **Power Lock Control** - The CTM provides the optional power lock system features, including support for the automatic door lock and door lock inhibit modes.
- **Programmable Features** - The CTM provides support for certain programmable features.
- **Remote Keyless Entry** - The CTM provides the optional Remote Keyless Entry (RKE) system features, including support for the RKE Lock (with optional horn and park lamps flash), Unlock (with park lamps flash, driver-door-only unlock, and

unlock-all-doors), Panic, and illuminated entry modes, as well as the ability to be programmed to recognize up to four RKE transmitters. The RKE horn, driver-door-only unlock, and unlock-all-doors features are programmable.

- **Vehicle Theft Security System** - The CTM provides control of the optional Vehicle Theft Security System (VTSS) features, including support for the central locking/unlocking mode and control of the Security indicator in the instrument cluster.

Hard wired circuitry connects the CTM to the electrical system of the vehicle. Refer to the appropriate wiring information.

Many of the features in the vehicle controlled or supported by the CTM are programmable using the DRBIII® scan tool. However, if any of the CTM hardware components are damaged or faulty, the entire CTM unit must be replaced. The hard wired inputs or outputs of all CTM versions can be diagnosed using conventional diagnostic tools and methods; however, for diagnosis of the CTM or the PCI data bus, the use of a DRBIII® scan tool is required. Refer to the appropriate diagnostic information.

OPERATION

The central timer module (CTM) monitors many hard wired switch and sensor inputs as well as those resources it shares with other modules in the vehicle through its communication over the programmable communications interface (PCI) data bus network. The internal programming and all of these inputs allow the CTM to determine the tasks it needs to perform and their priorities, as well as both the standard and optional features that it should provide. The CTM then performs those tasks and provides those features through both PCI data bus communication with other modules and hard wired outputs through a number of driver circuits, relays, and

actuators. These outputs allow the CTM the ability to control numerous accessory systems in the vehicle.

The CTM monitors its own internal circuitry as well as many of its input and output circuits, and will store a Diagnostic Trouble Code (DTC) in electronic memory for any failure it detects. These DTCs can be retrieved and diagnosed using a DRBIII® scan tool. Refer to the appropriate diagnostic information.

HARD WIRED INPUTS

The hard wired inputs to the CTM include the following:

- Fused B(+)
- Fused ignition switch output (run-acc)
- Fused ignition switch output (run-start)
- Ground
- Key-in ignition switch sense
- Sliding door switch sense
- Passenger door switch sense
- Driver door switch sense
- PCI bus circuit

HARD WIRED OUTPUTS

The hard wired outputs of the CTM include the following:

- Door lock relay output
- Door unlock relay output
- VTSS indicator driver

MESSAGING

The CTM uses the following messages received from other electronic modules over the PCI data bus:

- Airbag Deploy (ACM)
- Beep request (CMTC)
- Charging System Failure (PCM)
- Chime request (EMIC)
- Engine RPM (PCM)
- OK to Arm VTSS (PCM)
- Security indicator request (SKIM)
- System Voltage (PCM)
- Valid/Invalid Key (SKIM)
- Vehicle Distance (PCM)
- Vehicle Speed (PCM)

DIAGNOSIS AND TESTING - CENTRAL TIMER MODULE

WARNING: To avoid personal injury or death, on vehicles equipped with airbags, disable the supplemental restraint system before attempting any steering wheel, steering column, airbag, seat belt tensioner, or instrument panel component diagnosis or service. Disconnect and isolate the battery negative (ground) cable, then wait two minutes for the system capacitor to discharge before performing further diagnosis or service. This is the only sure way to disable the supplemental restraint sys-

tem. Failure to take the proper precautions could result in accidental airbag deployment.

The hard wired inputs to and outputs from the central timer module (CTM) may be diagnosed and tested using conventional diagnostic tools and methods. Refer to the appropriate wiring information.

However, conventional diagnostic methods may not prove conclusive in the diagnosis of the CTM. In order to obtain conclusive testing of the CTM, the programmable communications interface (PCI) data bus network and all of the modules that provide inputs to or receive outputs from the CTM must also be checked. The most reliable, efficient, and accurate means to diagnose the CTM, the PCI data bus network, and the modules that provide inputs to, or receive outputs from, the CTM requires the use of a DRBIII® scan tool. Refer to the appropriate diagnostic information.

REMOVAL

(1) Disconnect and isolate the battery negative cable.

(2) Slide the driver seat to the full forward position.

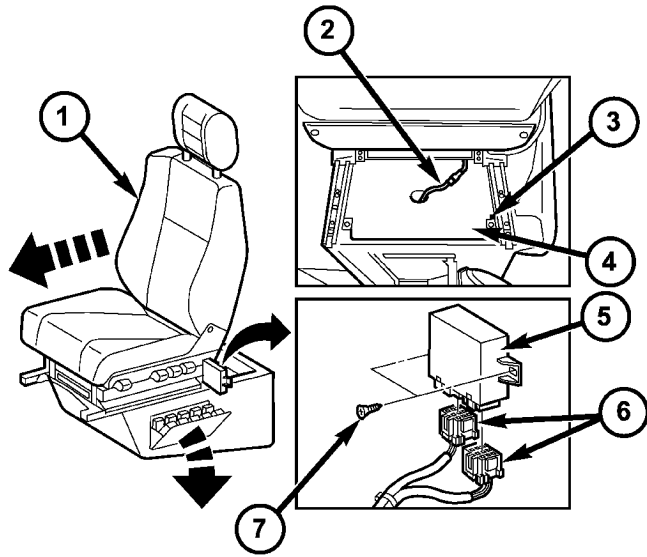
(3) Disconnect the wire harness connector for the seat belt latch. (Fig. 1).

(4) Remove the screws that secure the closeout panel beneath the driver seat cushion and remove the panel.

(5) Remove the screws that secure the central timer module to the bracket.

(6) Disconnect the wire harness connectors from the central timer module.

(7) Remove the central timer module from the vehicle.



811aab42

Fig. 1 Central Timer Module

- 1 - DRIVER SEAT
- 2 - WIRE HARNESS CONNECTOR
- 3 - SCREW (2)
- 4 - CLOSEOUT PANEL
- 5 - CENTRAL TIMER MODULE
- 6 - WIRE HARNESS CONNECTOR (2)
- 7 - SCREW (2)

INSTALLATION

- (1) Position the central timer module in the vehicle
- (2) Connect the wire harness connectors to the central timer module.
- (3) Install the screws that secure the central timer module. Tighten the screws securely.
- (4) Route the seat belt latch wire lead through the hole in the closeout panel and position the panel beneath the driver seat cushion
- (5) Install the screws that secure the closeout panel beneath the driver seat cushion. Tighten the screws securely.
- (6) Connect the wire harness connector to the seat belt latch connector.
- (7) Slide the driver seat to back to its original position.
- (8) Reconnect the negative battery cable.

CONTROLLER ANTILOCK BRAKE

DESCRIPTION

The Controller Antilock Brake (CAB) is mounted to the Hydraulic Control Unit (HCU) and operates the ABS system.

REMOVAL

- (1) Remove the negative battery cable from the battery.
- (2) Pull up on the CAB harness connector release and remove connector.
- (3) Remove the CAB mounting bolts.
- (4) Remove the CAB from the HCU.

INSTALLATION

- (1) Install CAB to the HCU.
- (2) Install mounting bolts. Tighten to 2 N·m (16 in. lbs.).
- (3) Install the wiring harness connector to the CAB and push down on the release to secure the connector.
- (4) Install negative battery cable to the battery.

ENGINE CONTROL MODULE

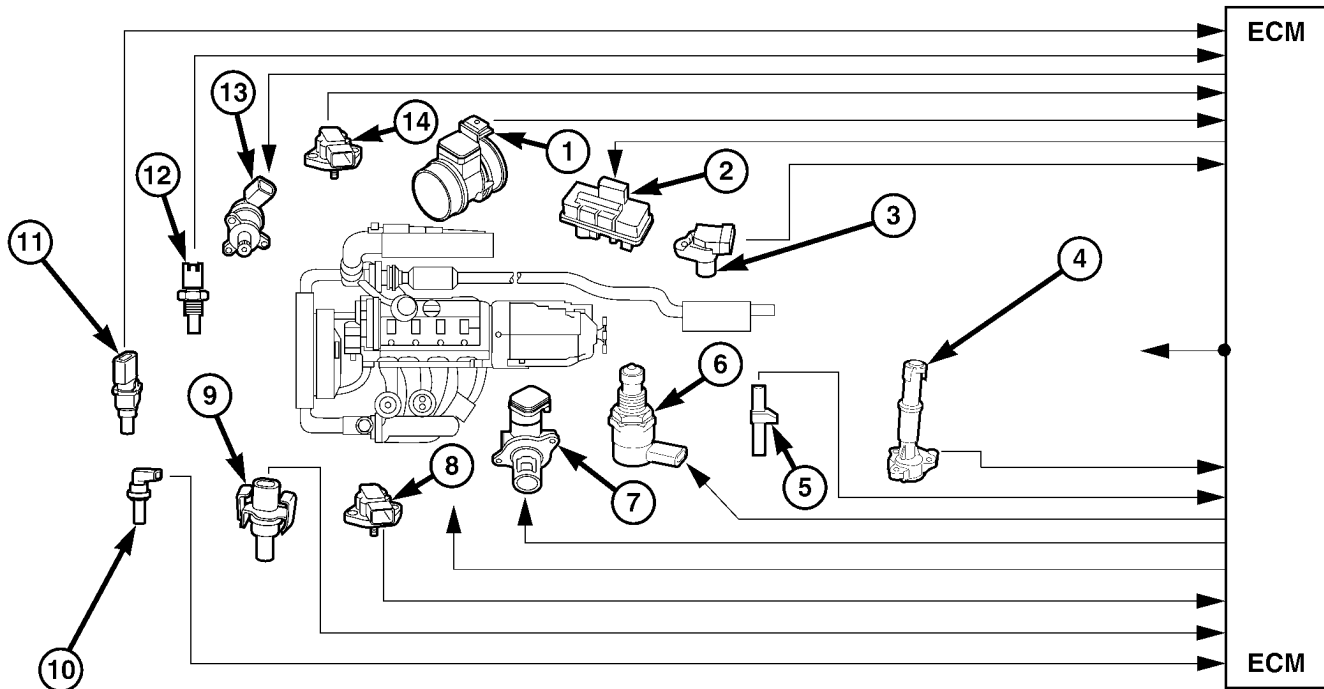
DESCRIPTION

The electronic control module (ECM) is mounted to the left lower dash panel and consists of an electronic printed circuit board which is designed as a millimeter board assembly fitted on both sides. The routing of the wiring harness connector at the ECM connector are split into interfering cables and sensitive cables in order to achieve improved electromagnetic compatibility. The smaller wiring harness connector is used for the vehicle wiring harness and the larger harness is used for the engine wiring harness. The ECM stores engine specific data, monitors the connected sensor and analyzes their measurement (Fig. 2).

Its task consists in controlling the following systems in line with the analysis of the input signals:

- Fuel Supply System
- Injected Quantity Control
- Emission Control System
- Charge Pressure Control
- Cruise Control
- A/C Compressor Shut-Off
- Pre-Heating Output Relay for the Glow Plugs
- Vehicle Theft
- Air Bag
- Monitors inputs/outputs, checks plausibility and stores faults
- Share information with other control modules
- Diagnosis

If a sensor should fail, provided the fault is not serious, the ECM will continue to operate the engine in Limp-Home Mode (emergency mode) using a default value for the missing signal. The ECM ensures that, continuing to operate the engine will not cause damage or effect safety, otherwise a Engine shut-off process will be carried out (Fig. 3).



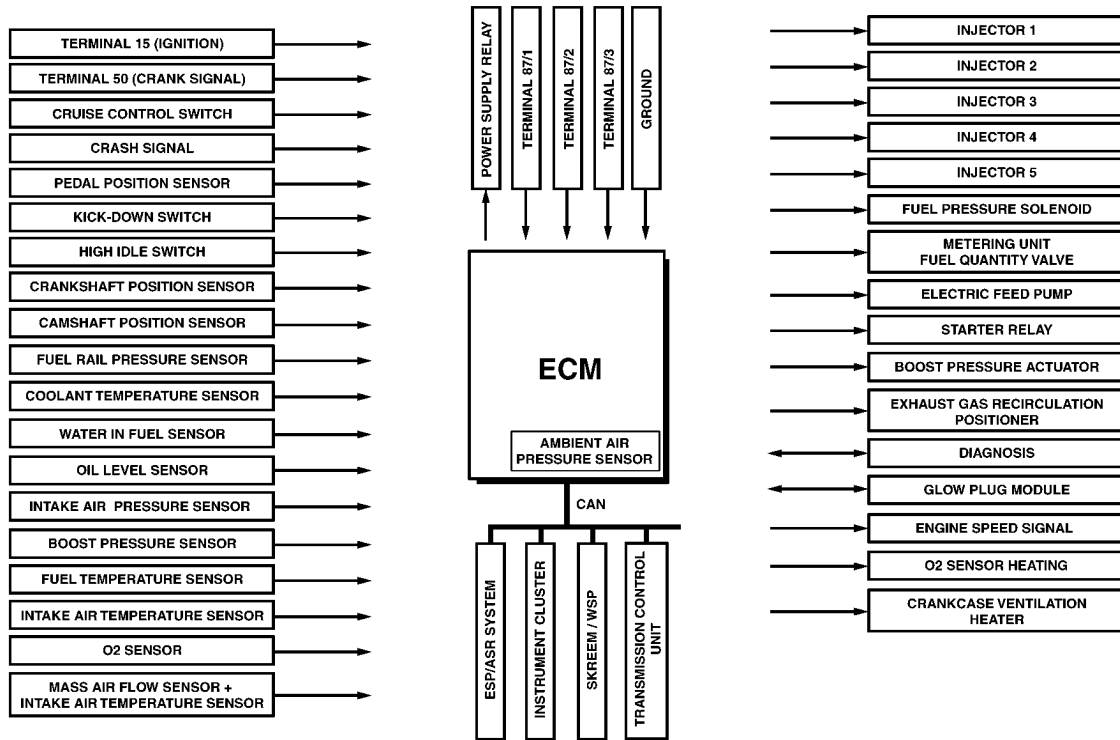
8131e062

Fig. 2 ECM

- | | |
|--------------------------------|-----------------------------------|
| 1 - MASS AIR FLOW SENSOR | 8 - CHARGE AIR PRESSURE SENSOR |
| 2 - TURBOCHARGER SERVO MOTOR | 9 - CHARGE AIR TEMPERATURE SENSOR |
| 3 - CAMSHAFT POSITION SENSOR | 10 - COOLANT TEMPERATURE SENSOR |
| 4 - ENGINE OIL SENSOR | 11 - FUEL RAIL PRESSURE SENSOR |
| 5 - CRANKSHAFT POSITION SENSOR | 12 - FUEL TEMPERATURE SENSOR |
| 6 - PRESSURE REGULATOR VALVE | 13 - FUEL QUANTITY CONTROL VALVE |
| 7 - EGR VALVE | 14 - AIR INTAKE PRESSURE SENSOR |

ECM Control Strategy The engine control module is involved with a variety of functions such as: (Fig. 3)

- Individual injector activation
- Engine idle speed control to ensure smooth engine idling independent of engine load
- Ride comfort function such as anti jerk control: The CDI control module detects irregularities in engine speed (resulting, for example, from load changes or gear shift) from the signal supplied by the crankshaft position sensor and reduces them by adjusting the quantity injected into each of the cylinders
- Constant RPM (high idle feature) for ambulance vehicle bodies equipped with electrical appliances
- Starter control, immobilizer, cruise control, kick down, air conditioner
- Maintenance computer ASSYST (optional)
- Glow plug for pre-heating, post heating and intermittent heating
- Error code memory/diagnostics, communication interface for diagnosis and handling the fault codes
- The maximum vehicle speed is programmable from 19–82 m.p.h. The standard is 82 m.p.h.



813d2d4e

Fig. 3 ECM CONTROL

New software has been loaded to the ECM for EGR control. This is due to the wider operating range and larger volume of recirculated gas. There is a considerable number of new, adapted, and optimized functions, particularly with regard to injection, EGR, boost control, sensing of the input parameters and the signaling of the actuators (Fig. 3).

- The rail pressure control achieved by signaling the quantity control valve in the high pressure pump and the pressure regulator results in reduced power consumption of high pressure pump and in lowering fuel pressures
- Individual cylinder torque control for smooth engine running: using the crankshaft position sensor signals, the ECM detect non-uniform engine running results from uneven torque contributions of the individual cylinders and adjust the injection quantities of the individual injectors so that all cylinders make the same torque contribution
 - A relay is used for activating the electric in-tank fuel pump
 - Heated crankcase ventilation to ensure pressure compensation even at low temperatures
 - Improved boost pressure control using an electric variable nozzle turbine actuator with position feed back
 - Controlled fuel heating using the high pressure pump closed-loop control
 - Translation of the drive input received from the accelerator pedal module which is equipped with dual hall sensors

- Measurement of the intake air mass using new mass air flow (MAF) sensor with increase precision and extended measuring range
 - O2 sensor for measuring the amount of oxygen in the exhaust in order to calculate the air to fuel ratio. With the intake air mass being known, the injected fuel quantity can be calculated from the air to fuel ratio
 - Activation of the O2 sensor heater to burn off deposits
 - Full load EGR with a more precise, model based EGR closed-loop control. The ECM calculates the EGR rate from the various sensor signals. Using the calculate EGR rate in percent instead of the fresh air mass flow as a control parameter enables a more precise control of the EGR rate as well as better correction of the target value.
- The oxygen sensor signal can be used in combination with the mass air flow signal, the injection quantity signal and pressure and temperature signals to perform the following functions for optimized closed loop control and monitoring of emissions related components:
- Injection valve quantity drift compensation in partial load range: the oxygen content in the exhaust is calculated from the air mass and from injection quantity signal and is compared to the air-fuel ratio as measured by the sensor. If the calculated air-fuel ratio differs from the measured air-fuel ratio, there is no correction of the injection quantity but the EGR

rate and boost pressure are adjusted to the actual injection quantity.

- Injection valve quantity drift compensation in full load range: this function is to limit the maximum injection quantity for engine protection. The injection quantity signal is compared to the injection quantity calculated from the oxygen sensor signal and MAF signal. If the comparison shows that the actual injection quantity is too high, it is limited to the maximum permissible injection quantity

- Air-fuel ratio controlled smoke limiter (full load): the smoke limiter limits the injection quantity on the basis of the air-fuel ratio permissible at the smoke limit depending on the measure mass air flow and the calculated EGR rate. As a consequence, the generation of smoke due to an excess injection quantity is avoided under all operating conditions. At the same time, the oxygen sensor signal is used to ensure that the air-fuel ratio is adjusted accordingly

A function referred to as air flow sensor drift compensation detects and corrects the possible drifting of the MAF sensor by comparing the air mass measured by the MAF with the projected air mass as it is calculated by the ECM in consideration of various influencing conditions. It is the air flow drift compensation that gives the MAF air mass measurement the precision needed to use it for the function mentioned above. The high precision of the MAF measurement enables the calculation of the actual injection quantity from the measured air mass and from the oxygen sensor signal in order to correct injection quantity. The MAF signal can also be used as an input parameter for the smoke limiter.

REMOVAL

- (1) Disconnect the negative battery cable.
- (2) Disconnect the ECM harness connectors (Fig. 4).
- (3) Grasp ECM and pull down firmly to release ECM from the retaining bracket tensioning springs (Fig. 4).

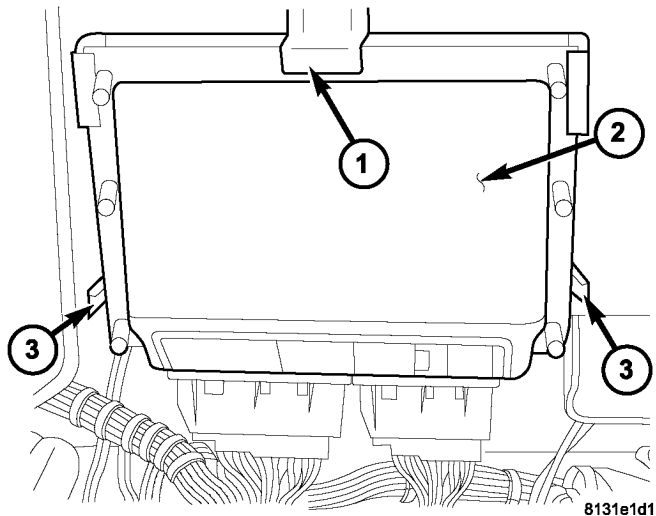


Fig. 4 ECM

- 1 - BRACKET
- 2 - ECM
- 3 - BRACKET TENSIONING SPRINGS

INSTALLATION

NOTE: THE ECM MUST BE PROGRAMMED TO SUPPORT THE VEHICLE OPTIONS PACKAGE.

- (1) Position the ECM into the guide of the retaining bracket (Fig. 4).
- (2) Carefully push the ECM in to the bracket until the bracket tensioning springs engage (Fig. 4).
- (3) Connect the ECM wiring harness connectors (Fig. 4).
- (4) Connect negative battery cable.

TRANSMISSION CONTROL MODULE

DESCRIPTION

The transmission control module (TCM) receives, processes and sends various digital and analog signals related to the automatic transmission. In addition, it processes information received from other vehicle systems, such as engine torque and speed, accelerator pedal position, wheel speed, kick-down switch, traction control information, etc.

The TCM is located under the driver's seat and is connected to other control modules via a CAN bus. It controls all shift functions to achieve smooth shift comfort in all driving situations considering:

- Vehicle speed.
- Transmission status.

- Position of selector lever.
- Selected shift range.
- CAN signals.
- Engine Status.

Engine speed limits may be reached in all gears with full throttle or in kick-down operation. In forward driving, the shift range of the forward gears can be adjusted by the operator by tipping the selector lever to the left or right (AutoStick). However, the TCM features a downshift inhibitor to prevent the engine from overspeeding.

OPERATION

The transmission control module (TCM) determines the current operating conditions of the vehicle and controls the shifting process for shift comfort and driving situations. It receives this operating data from sensors and broadcast messages from other modules.

The TCM uses inputs from several sensors that are directly hardwired to the controller and it uses several indirect inputs that are used to control shifts. This information is used to actuate the proper solenoids in the valve body to achieve the desired gear.

The shift lever assembly (SLA) has several items that are monitored by the TCM to calculate shift lever position. The reverse light switch, an integral part of the SLA, controls the reverse light relay control circuit. The Brake/Transmission Shift Interlock (BTSI) solenoid and the park lockout solenoid (also part of the SLA) are controlled by the TCM.

The ECM and ABS broadcast messages over the controller area network (CAN C) bus for use by the TCM. The TCM uses this information, with other inputs, to determine the transmission operating conditions.

The TCM:

- determines the momentary operating conditions of the vehicle.
- controls all shift processes.
- considers shift comfort and the driving situation.

The TCM controls the solenoid valves for modulating shift pressures and gear changes. Relative to the torque being transmitted, the required pressures are calculated from load conditions, engine rpm, vehicle speed, and ATF temperature.

The following functions are contained in the TCM:

- Shift Program
- Downshift Safety
- Torque Converter Lock-Up Clutch.
- Adaptation.

This transmission does not have a TCM relay. Power is supplied to the SLA and the TCM directly from the ignition.

The TCM continuously checks for electrical problems, mechanical problems, and some hydraulic problems. When a problem is sensed, the TCM stores a diagnostic trouble code (DTC). Some of these codes

cause the transmission to go into "Limp-In" or "default" mode. Some DTCs cause permanent Limp-In and others cause temporary Limp-In. The NAG1 defaults in the current gear position if a DTC is detected, then after a key cycle the transmission will go into Limp-in, which is mechanical 2nd gear. Some DTCs may allow the transmission to resume normal operation (recover) if the detected problem goes away. A permanent Limp-In DTC will recover when the key is cycled, but if the same DTC is detected for three key cycles the system will not recover and the DTC must be cleared from the TCM with the DRBIII® scan tool.

TCM SIGNALS

The TCM registers one part of the input signals by direct inputs, the other part by CAN C bus. In addition to the direct control of the actuators, the TCM sends various output signals by CAN C bus to other control modules.

Selector Lever Position

The TCM monitors the SLA for all shift lever positions via the CAN bus.

ATF Temperature Sensor

The ATF temperature sensor is a positive temperature co-efficient (PTC) thermistor. It measures the temperature of the transmission fluid and is a direct input signal for the TCM. The temperature of the ATF has an influence on the shifttime and resulting shift quality. As the temperature rises, resistance rises, and therefore, the probing voltage is decreasing. Because of its registration, the shifting process can be optimized in all temperature ranges.

The ATF temperature sensor is wired in series with the park/neutral contact. The temperature signal is transmitted to the TCM only when the reed contact of the park/neutral contact is closed because the TCM only reads ATF temperature while in any forward gear, or REVERSE. When the transmission is in PARK or NEUTRAL, the TCM will substitute the engine temperature for the ATF temperature.

Starter Interlock

The TCM monitors a contact switch wired in series with the transmission temperature sensor to determine PARK and NEUTRAL positions. The contact switch is open in PARK and NEUTRAL. The TCM senses transmission temperature as high (switch supply voltage), confirming switch status as open. The TCM then broadcasts a message over CAN bus to confirm switch status. The PCM receives this information and allows operation of the starter circuit.

N2 and N3 Speed Sensors

The N2 and N3 Input Speed Sensors are two Hall-effect speed sensors that are mounted internally in the transmission and are used by the TCM to calculate the transmission's input speed. Since the input speed cannot be measured directly, two of the drive elements are measured. Two input speed sensors were required because both drive elements are not active in all gears.

CAN C Bus Indirect Input Signals

A 2.5-volt bias (operating voltage) is present on the CAN C bus any time the ignition switch is in the RUN position. Both the TCM and the ABS apply this bias. On this vehicle, the CAN C bus is used for module data exchange only. The indirect inputs used on the NAG1 electronic control system are:

- Wheel Speed Sensors.
- Brake Switch.
- Engine RPM.
- Engine Temperature.
- Cruise Control Status.
- Gear Limit Request.
- Throttle Position - 0% at idle, 100% at WOT. If open, TCM assumes idle (0% throttle opening).
- Odometer Mileage
- Maximum Effective Torque.
- Engine in Limp-In Mode/Mileage Where DTC Was Set.

BRAKE TRANSMISSION SHIFT INTERLOCK (BTSI)

The BTSI solenoid prevents shifting out of the PARK position until the ignition key is in the RUN position and the brake pedal is pressed. The TCM controls the ground while the ignition switch supplies power to the BTSI solenoid. The PCM monitors the brake switch and broadcasts brake switch status messages over the CAN C bus. If the park brake is depressed and there is power (Run/Start) to SLA, the BTSI solenoid deactivates.

SHIFT SCHEDULES

The basic shift schedule includes up and downshifts for all five gears. The TCM adapts the shift program according to driving style, accelerator pedal position and deviation of vehicle speed. Influencing factors are:

- Road Conditions.
- Incline, Decline and Altitude.
- Trailer Operation, Loading.
- Engine Coolant Temperature.
- Cruise Control Operation.
- Sporty Driving Style.
- Low and High ATF Temperature.

Upshift To:	1-2	2-3	3-4	4-5
Activated By Solenoid:	1-2/4-5	2-3	3-4	1-2/4-5
Shift Point (at 35.2% of throttle)	17.8 km/h (11.6 mph)	32.1 km/h (19.95 mph)	67.5 km/h (41.94 mph)	73.8 km/h (45.86 mph)

Downshift From:	5-4	4-3	3-2	2-1
Activated By Solenoid:	1-2/4-5	3-4	2-3	1-2/4-5
Shift Point	55.7 km/h (34.61 mph)	40.5 km/h (25.17 mph)	24.4 km/h (15.16 mph)	15.1 km/h (9.38 mph)

DOWNSHIFT SAFETY

Selector lever downshifts are not performed if inadmissible high engine rpm is sensed.

ADAPTATION

To equalize tolerances and wear, an automatic adaptation takes place for:

- Shift Time.
- Clutch Filling Time.
- Clutch Filling Pressure.
- Torque Converter Lock-Up Control.

Adaptation data may be stored permanently and to some extent, can be diagnosed.

Driving Style Adaptation

The shift point is modified in steps based on the information from the inputs. The control module looks at inputs such as:

- vehicle acceleration and deceleration (calculated by the TCM).
- rate of change as well as the position of the throttle pedal (fuel injection information from the ECM).
- lateral acceleration (calculated by the TCM).
- gear change frequency (how often the shift occurs).

Based on how aggressive the driver is, the TCM moves up the shift so that the present gear is held a

little longer before the next upshift. If the driving style is still aggressive, the shift point is modified up to ten steps. If the driving returns to normal, then the shift point modification also returns to the base position.

This adaptation has no memory. The adaptation to driving style is nothing more than a shift point modification meant to assist an aggressive driver. The shift points are adjusted for the moment and return to base position as soon as the inputs are controlled in a more rational manner.

Shift Time Adaptation (Shift Overlap Adaptation, Working Pressure)

Shift time adaptation is the ability of the TCM to electronically alter the time it takes to go from one gear to another. Shift time is defined as the time it takes to disengage one shift member while another is being applied. Shift time adaptation is divided into four categories:

1. Accelerating upshift, which is an upshift under a load. For shift time adaptation for the 1-2 upshift to take place, the transmission must shift from 1st to 2nd in six different engine load ranges vs. transmission output speed ranges.

2. Decelerating upshift, which is an upshift under no load. This shift is a rolling upshift and is accomplished by letting the vehicle roll into the next gear.

3. Accelerating downshift, which is a downshift under load. This shift can be initiated by the throttle, with or without kickdown. The shift selector can also be used.

4. Decelerating downshift, which is accomplished by coasting down. As the speed of the vehicle decreases, the transmission downshifts.

Fill Pressure Adaptation (Apply Pressure Adaptation, Modulating Pressure)

Fill pressure adaptation is the ability of the TCM to modify the pressure used to engage a shift member. The value of this pressure determines how firm the shift will be.

- If too much pressure is used, the shift will be hard.
- If too little pressure is used, the transmission may slip.

The pressure adjustment is needed to compensate for the tolerances of the shift pressure solenoid valve. The amount the solenoid valve opens as well as how quickly the valve can move, has an effect on the pressure. The return spring for the shift member provides a resistance that must be overcome by the pressure in order for shift member to apply. These return springs have slightly different values. This also affects the application pressure and is compensated for by fill pressure adaptation.

Fill Time Adaptation (Engagement Time Adaptation)

Fill time is the time it takes to fill the piston cavity and take up any clearances for a friction element (clutch or brake). Fill time adaptation is the ability of the TCM to modify the time it takes to fill the shift member by applying a preload pressure.

CONTROLLER MODES OF OPERATION

Permanent Limp - In Mode

When the TCM determines there is a non-recoverable condition present that does not allow proper transmission operation, it places the transmission in permanent Limp-In Mode. When the condition occurs the TCM turns off all solenoids as well as the solenoid supply output circuit. If this occurs while the vehicle is moving, the transmission remains in the current gear position until the ignition is turned off or the shifter is placed in the "P" position. When the shifter has been placed in "P," the transmission only allows 2nd gear operation. If this occurs while the vehicle is not moving, the transmission only allows operation in 2nd gear.

Temporary Limp - In Mode

This mode is the same as the permanent Limp-In Mode except if the condition is no longer present, the system resumes normal operation.

Under Voltage Limp - In Mode

When the TCM detects that system voltage has dropped below 8.5 volts, it disables voltage-dependent diagnostics and places the transmission in the temporary Limp-In Mode. When the TCM senses that the voltage has risen above 9.0 volts, normal transmission operation is resumed.

Hardware Error Mode

When the TCM detects a major internal error, the transmission is placed in the permanent Limp-In Mode and ceases all communication over the CAN bus. When the TCM has entered this mode normal transmission operation does not resume until all DTCs are cleared from the TCM.

Loss of Drive

If the TCM detects a situation that has resulted or may result in a catastrophic engine or transmission problem, the transmission is placed in the neutral position. Improper Ratio, Input Sensor Overspeed or Engine Overspeed DTCs cause the loss of drive.

Controlled Limp - in Mode

When a failure does not require the TCM to shut down the solenoid supply, but the failure is severe enough that the TCM places the transmission into a

predefined gear, there are several shift performance concerns. For instance, if the transmission is slipping, the controller tries to place the transmission into 3rd gear and maintain 3rd gear for all forward drive conditions.

STANDARD PROCEDURE - TCM ADAPTATION

The adaptation procedure requires the use of the appropriate scan tool. This program allows the electronic transmission system to re-calibrate itself. This will provide the proper baseline transmission operation. The adaptation procedure should be performed if any of the following procedures are performed:

- Transmission Assembly Replacement
- Transmission Control Module Replacement
- Clutch Plate and/or Seal Replacement
- Electrohydraulic Unit Replacement or Recondition

(1) With the scan tool, reset the Transmission adaptives. Resetting the adaptives will set the adaptives to factory settings.

NOTE: Perform the Coast Down Adaptations first. The Transmission Temperature must be greater than 60°C (140°F) and less than 70°C (158°F). Failure to stay within these temperature ranges will void the procedure.

(2) Drive the vehicle until the transmission temperature is in the specified range.

(3) Perform 4 to 5 coast downs from 5th to 4th gear and then 4th to 3rd gear.

NOTE: For Upshift adaptation, the Transmission temperature must be greater than 60°C (140°F) and less than 100°C (212°F). Failure to stay within these temperature ranges will void this procedure.

(4) From a stop, moderately accelerate the vehicle and obtain all forward gear ranges while keeping the Engine RPM below 1800 RPM. Repeat this procedure 4 to 5 times.

(5) Obtaining 5th gear may be difficult at 1800 RPM. Allow the transmission to shift into 5th gear at a higher RPM then lower the RPM to 1800 and perform manual shifts between 4th and 5th gears using the shift lever.

(6) The TCM will store the adaptives every 10 minutes. After completion of the adaptation procedure make sure the vehicle stays running for at least 10 minutes.

(7) It is possible to manually store the adaptives under the 10 minute time frame using the DRBIII® Store Adaptives procedure.

ENGINE SYSTEMS

TABLE OF CONTENTS

	page		page
BATTERY SYSTEM	1	STARTING SYSTEM	28
CHARGING SYSTEM	17		

BATTERY SYSTEM

TABLE OF CONTENTS

	page		page
BATTERY SYSTEM		REMOVAL	
DESCRIPTION	1	UNDER HOOD BATTERY REMOVAL	12
OPERATION	2	AUXILIARY BATTERY REMOVAL	13
DIAGNOSIS AND TESTING - BATTERY		INSTALLATION	
SYSTEM	2	UNDER HOOD BATTERY INSTALLATION ...	13
CLEANING	5	AUXILIARY BATTERY INSTALLATION	13
INSPECTION	6	BATTERY HOLDDOWN	
SPECIAL TOOLS		DESCRIPTION	13
BATTERY SYSTEM SPECIAL TOOLS	6	REMOVAL	13
BATTERY		INSTALLATION	14
DESCRIPTION	6	BATTERY CABLES	
OPERATION	7	DESCRIPTION	14
DIAGNOSIS AND TESTING - BATTERY	7	OPERATION	14
STANDARD PROCEDURE		DIAGNOSIS AND TESTING - BATTERY	
STANDARD PROCEDURE - BATTERY		CABLES	14
CHARGING	8	REMOVAL	16
STANDARD PROCEDURE - OPEN-CIRCUIT		INSTALLATION	16
VOLTAGE TEST	9	BATTERY TRAY	
STANDARD PROCEDURE - IGNITION-OFF		DESCRIPTION	16
DRAW TEST	10	OPERATION	16
STANDARD PROCEDURE - USING MICRO		REMOVAL	16
420 BATTERY TESTER	11	INSTALLATION	16
STANDARD PROCEDURE - CHECKING			
BATTERY ELECTROLYTE LEVEL	12		

BATTERY SYSTEM

DESCRIPTION

A single 12-volt battery is standard factory-installed equipment on this model. Some vehicles are equipped with a second auxiliary battery for running additional electrical equipment. The standard battery is located in the engine compartment, while the auxiliary battery (if equipped) is located under the passengers front seat. The battery system for this vehicle covers the following related components, which are covered in further detail later in this section of the service manual:

- **Battery** - The 12v storage battery(s) provides a reliable means of storing a renewable source of electrical energy within the vehicle.
- **Battery Cables** - The battery cables connect the battery terminal posts to the vehicle electrical system.
- **Battery Holddown** - The battery holddown hardware secures the battery in the battery tray in the engine compartment.
- **Battery Tray** - The battery tray provides a secure mounting location in the vehicle for the battery and an anchor point for the battery holddown hardware.

For battery system maintenance schedules and jump starting procedures, see the owner's manual in the vehicle glove box. Optionally, refer to the Lubrication and Maintenance section of this manual for the recommended battery maintenance schedules and for the proper battery jump starting procedure. While battery charging can be considered a maintenance procedure, the battery charging procedure and related information are located later in this section of this service manual. This was done because the battery must be fully-charged before any battery system diagnosis or testing procedures can be performed.

OPERATION

The battery system is designed to provide a safe, efficient, reliable and mobile means of delivering and storing electrical energy. This electrical energy is required to operate the engine starting system, as well as to operate many of the other vehicle accessory systems for limited durations while the engine and/or the charging system are not operating. The battery system is also designed to provide a reserve of electrical energy to supplement the charging system for short durations while the engine is running and the electrical current demands of the vehicle exceed the output of the charging system. In addition to delivering, and storing electrical energy for the vehicle, the battery system serves as a capacitor and voltage stabilizer for the vehicle electrical system. It absorbs most abnormal or transient voltages caused by the switching of any of the electrical components or circuits in the vehicle.

DIAGNOSIS AND TESTING - BATTERY SYSTEM

The battery, starting, and charging systems in the vehicle operate with one another and must be tested as a complete system. In order for the engine to start and the battery to maintain its charge properly, all of

the components that are used in these systems must perform within specifications. It is important that the battery, starting, and charging systems be thoroughly tested and inspected any time a battery needs to be charged or replaced. The cause of abnormal battery discharge, overcharging or early battery failure must be diagnosed and corrected before a battery is replaced and before a vehicle is returned to service. The service information for these systems has been separated within this service manual to make it easier to locate the specific information you are seeking. However, when attempting to diagnose any of these systems, it is important that you keep their interdependency in mind.

The diagnostic procedures used for the battery, starting, and charging systems include the most basic conventional diagnostic methods, to the more sophisticated On-Board Diagnostics (OBD) built into the Powertrain Control Module (PCM). Use of an induction-type milliamperer ammeter, a volt/ohmmeter, a battery charger, a carbon pile rheostat (load tester) and a 12-volt test lamp may be required. All OBD-sensed systems are monitored by the PCM. Each monitored circuit is assigned a Diagnostic Trouble Code (DTC). The PCM will store a DTC in electronic memory for any failure it detects. Refer to Charging System for the proper charging system on-board diagnostic test procedures.

MICRO 420 BATTERY TESTER

The Micro 420 automotive battery tester is designed to help the dealership technicians diagnose the cause of a defective battery. Follow the instruction manual supplied with the tester to properly diagnose a vehicle. If the instruction manual is not available refer to the standard procedure in this section, which includes the directions for using the Micro 420 battery tester.

BATTERY SYSTEM DIAGNOSIS		
CONDITION	POSSIBLE CAUSES	CORRECTION
THE BATTERY SEEMS WEAK OR DEAD WHEN ATTEMPTING TO START THE ENGINE.	<ol style="list-style-type: none"> 1. The electrical system ignition-off draw is excessive. 2. The charging system is faulty. 3. The battery is discharged. 4. The battery terminal connections are loose or corroded. 5. The battery has an incorrect size or rating for this vehicle. 6. The battery is faulty. 7. The starting system is faulty. 8. The battery is physically damaged. 	<ol style="list-style-type: none"> 1. Refer to the IGNITION-OFF DRAW TEST Standard Procedure for the proper test procedures. Repair the excessive ignition-off draw, as required. 2. Determine if the charging system is performing to specifications. Refer to Charging System for additional charging system diagnosis and testing procedures. Repair the faulty charging system, as required. 3. Determine the battery state-of-charge using the Micro 420 battery tester. Refer to the Standard Procedures in this section for additional test procedures. Charge the faulty battery, as required. 4. Refer to Battery Cables for the proper battery cable diagnosis and testing procedures. Clean and tighten the battery terminal connections, as required. 5. Refer to Battery System Specifications for the proper size and rating. Replace an incorrect battery, as required. 6. Determine the battery cranking capacity using the Micro 420 battery tester. Refer to the Standard Procedures in this section for additional test procedures. Replace the faulty battery, as required. 7. Determine if the starting system is performing to specifications. Refer to Starting System for the proper starting system diagnosis and testing procedures. Repair the faulty starting system, as required. 8. Inspect the battery for loose terminal posts or a cracked and leaking case. Replace the damaged battery, as required.

BATTERY SYSTEM DIAGNOSIS		
CONDITION	POSSIBLE CAUSES	CORRECTION
THE BATTERY STATE OF CHARGE CANNOT BE MAINTAINED.	<ol style="list-style-type: none"> 1. The battery has an incorrect size or rating for this vehicle. 2. The battery terminal connections are loose or corroded. 3. The electrical system ignition-off draw is excessive. 4. The battery is faulty. 5. The starting system is faulty. 6. The charging system is faulty. 7. Electrical loads exceed the output of the charging system. 8. Slow driving or prolonged idling with high-amperage draw systems in use. 	<ol style="list-style-type: none"> 1. Refer to Battery System Specifications for the proper specifications. Replace an incorrect battery, as required. 2. Refer to Battery Cable for the proper cable diagnosis and testing procedures. Clean and tighten the battery terminal connections, as required. 3. Refer to the IGNITION-OFF DRAW TEST Standard Procedure for the proper test procedures. Repair the faulty electrical system, as required. 4. Test the battery using the Micro 420 battery tester. Refer to Standard Procedures for additional test procedures. Replace the faulty battery, as required. 5. Determine if the starting system is performing to specifications. Refer to Starting System for the proper starting system diagnosis and testing procedures. Repair the faulty starting system, as required. 6. Determine if the charging system is performing to specifications. Refer to Charging System for additional charging system diagnosis and testing procedures. Repair the faulty charging system, as required. 7. Inspect the vehicle for aftermarket electrical equipment which might cause excessive electrical loads. 8. Advise the vehicle operator, as required.
THE BATTERY WILL NOT ACCEPT A CHARGE.	<ol style="list-style-type: none"> 1. The battery is faulty. 	<ol style="list-style-type: none"> 1. Test the battery using the Micro 420 battery tester. Charge or replace the faulty battery, as required.

ABNORMAL BATTERY DISCHARGING

Any of the following conditions can result in abnormal battery discharging:

1. A faulty or incorrect charging system component. Refer to Charging System for additional charging system diagnosis and testing procedures.

2. A faulty or incorrect battery. Use Micro 420 battery tester and refer to Battery System for additional battery diagnosis and testing procedures.

3. A faulty circuit or component causing excessive ignition-off draw.

4. Electrical loads that exceed the output of the charging system. This can be due to equipment

installed after manufacture, or repeated short trip use.

5. A faulty or incorrect starting system component. Refer to Starting System for the proper starting system diagnosis and testing procedures.

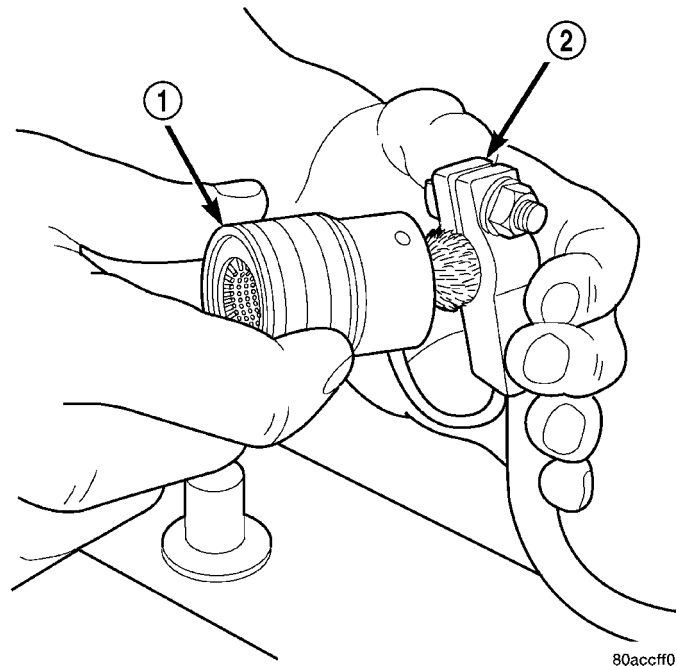
6. Corroded or loose battery posts and/or terminal clamps.

7. Slow driving speeds (heavy traffic conditions) or prolonged idling, with high-amperage draw systems in use.

CLEANING

The following information details the recommended cleaning procedures for the battery and related components. In addition to the maintenance schedules found in this service manual and the owner's manual, it is recommended that these procedures be performed any time the battery or related components must be removed for vehicle service.

(1) Clean the battery cable terminal clamps of all corrosion. Remove any corrosion using a wire brush or a post and terminal cleaning tool, and a sodium bicarbonate (baking soda) and warm water cleaning solution (Fig. 1).



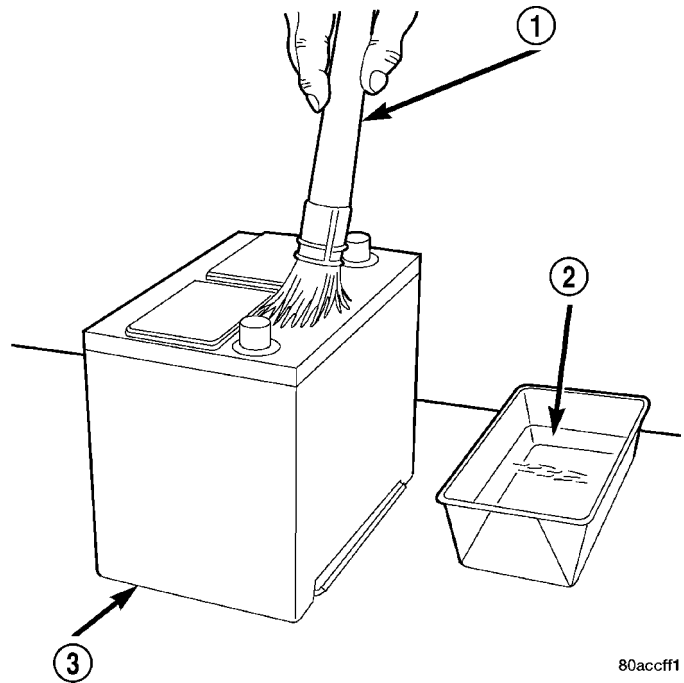
80accff0

Fig. 1 Clean Battery Cable Terminal Clamp - Typical

- 1 - TERMINAL BRUSH
- 2 - BATTERY CABLE

(2) Clean the battery tray and battery hold down hardware of all corrosion. Remove any corrosion using a wire brush and a sodium bicarbonate (baking soda) and warm water cleaning solution. Paint any exposed bare metal.

(3) If the removed battery is to be reinstalled, clean the outside of the battery case and the top cover with a sodium bicarbonate (baking soda) and warm water cleaning solution using a stiff bristle parts cleaning brush to remove any acid film (Fig. 2). Rinse the battery with clean water. Ensure that the cleaning solution does not enter the battery cells through the vent holes. If the battery is being replaced, refer to Battery System Specifications for the factory-installed battery specifications. Confirm that the replacement battery is the correct size and has the correct ratings for the vehicle.



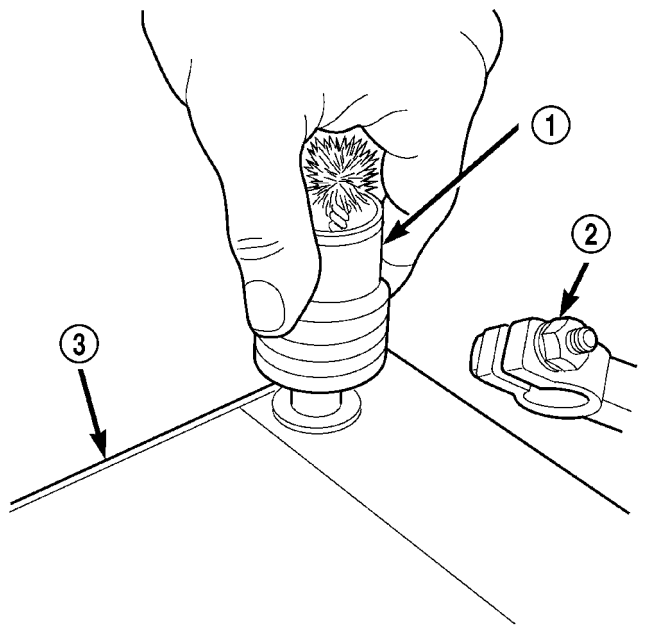
80accff1

Fig. 2 Clean Battery - Typical

- 1 - CLEANING BRUSH
- 2 - WARM WATER AND BAKING SODA SOLUTION
- 3 - BATTERY

(4) If the vehicle is so equipped, clean the battery thermal guard with a sodium bicarbonate (baking soda) and warm water cleaning solution using a stiff bristle parts cleaning brush to remove any acid film.

(5) Clean any corrosion from the battery terminal posts with a wire brush or a post and terminal cleaner, and a sodium bicarbonate (baking soda) and warm water cleaning solution (Fig. 3).



80accff2

Fig. 3 Clean Battery Terminal Post - Typical

- 1 - TERMINAL BRUSH
- 2 - BATTERY CABLE
- 3 - BATTERY

INSPECTION

The following information details the recommended inspection procedures for the battery and related components. In addition to the maintenance schedules found in this service manual and the owner's manual, it is recommended that these procedures be performed any time the battery or related components must be removed for vehicle service.

(1) Inspect the battery cable terminal clamps for damage. Replace any battery cable that has a damaged or deformed terminal clamp.

(2) Inspect the battery tray and battery holddown hardware for damage. Replace any damaged parts.

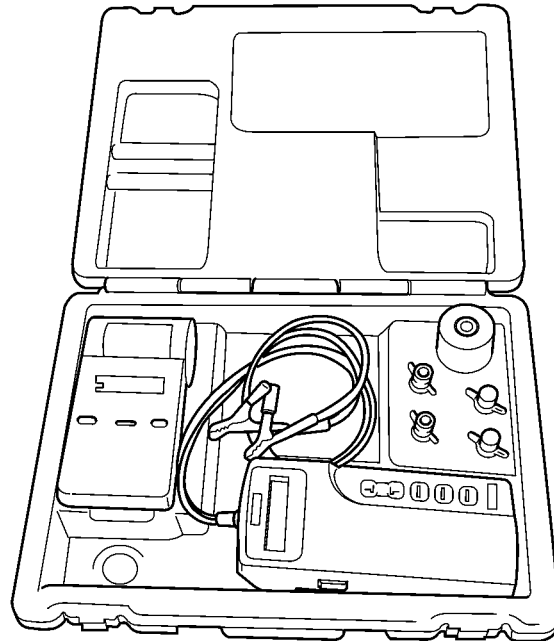
(3) Slide the thermal guard off of the battery case, if equipped. Inspect the battery case for cracks or other damage that could result in electrolyte leaks. Also, check the battery terminal posts for looseness. Batteries with damaged cases or loose terminal posts must be replaced.

(4) Inspect the battery thermal guard for tears, cracks, deformation or other damage. Replace any battery thermal guard that has been damaged.

(5) Inspect the battery built-in test indicator sight glass for an indication of the battery condition. If the battery is discharged, charge as required. (Refer to 8 - ELECTRICAL/BATTERY SYSTEM/BATTERY - STANDARD PROCEDURE).

SPECIAL TOOLS

BATTERY SYSTEM SPECIAL TOOLS



80c91c8d

Micro 420 Battery Tester

BATTERY

DESCRIPTION

Large capacity, low-maintenance storage batteries are standard factory-installed equipment on this model. The primary battery is located in the engine compartment on all models. A second auxiliary battery may be installed under the passengers front seat for running additional electrical equipment.

Male post type terminals made of a soft lead material protrude from the top of the molded plastic battery case to provide the means for connecting the battery to the vehicle electrical system. The battery positive terminal post is physically larger in diameter than the negative terminal post to ensure proper battery connection. The letters **POS** and **NEG** are also molded into the top of the battery case adjacent to their respective positive and negative terminal posts for identification confirmation. Refer to Battery Cables for more information on the battery cables that connect the battery to the vehicle electrical system.

The battery is made up of six individual cells that are connected in series. Each cell contains positively charged plate groups that are connected with lead straps to the positive terminal post, and negatively charged plate groups that are connected with lead straps to the negative terminal post. Each plate consists of a stiff mesh framework or grid coated with lead dioxide (positive plate) or sponge lead (negative

plate). Insulators or plate separators made of a non-conductive material are inserted between the positive and negative plates to prevent them from contacting or shorting against one another. These dissimilar metal plates are submerged in a sulfuric acid and water solution called an electrolyte.

The factory-installed low-maintenance battery has removable battery cell caps. Water can be added to this battery. The chemical composition of the metal coated plates within the low-maintenance battery reduces battery gassing and water loss, at normal charge and discharge rates. Therefore, the battery should not require additional water in normal service. Rapid loss of electrolyte can be caused by an overcharging condition. Be certain to diagnose the charging system before returning the vehicle to service.

OPERATION

The battery is designed to store electrical energy in a chemical form. When an electrical load is applied to the terminals of the battery, an electrochemical reaction occurs. This reaction causes the battery to discharge electrical current from its terminals. As the battery discharges, a gradual chemical change takes place within each cell. The sulfuric acid in the electrolyte combines with the plate materials, causing both plates to slowly change to lead sulfate. At the same time, oxygen from the positive plate material combines with hydrogen from the sulfuric acid, causing the electrolyte to become mainly water. The chemical changes within the battery are caused by the movement of excess or free electrons between the positive and negative plate groups. This movement of electrons produces a flow of electrical current through the load device attached to the battery terminals.

As the plate materials become more similar chemically, and the electrolyte becomes less acid, the voltage potential of each cell is reduced. However, by charging the battery with a voltage higher than that of the battery itself, the battery discharging process is reversed. Charging the battery gradually changes the sulfated lead plates back into sponge lead and lead dioxide, and the water back into sulfuric acid. This action restores the difference in the electron charges deposited on the plates, and the voltage potential of the battery cells. For a battery to remain useful, it must be able to produce high-amperage current over an extended period. A battery must also be able to accept a charge, so that its voltage potential may be restored.

The battery is vented to release excess hydrogen gas that is created when the battery is being charged or discharged. However, even with these vents, hydrogen gas can collect in or around the battery. If hydrogen gas is exposed to flame or sparks, it may ignite. If the electrolyte level is low, the battery may

arc internally and explode. If the battery is equipped with removable cell caps, add distilled water whenever the electrolyte level is below the top of the plates. If the battery cell caps cannot be removed, the battery must be replaced if the electrolyte level becomes low.

DIAGNOSIS AND TESTING - BATTERY

The battery must be completely charged and the terminals should be properly cleaned and inspected before diagnostic procedures are performed. Refer to Battery System Cleaning for the proper cleaning procedures, and Battery System Inspection for the proper battery inspection procedures. Refer to Standard Procedures for the proper battery charging procedures.

MICRO 420 BATTERY TESTER

The Micro 420 automotive battery tester is designed to help the dealership technicians diagnose the cause of a defective battery. Follow the instruction manual supplied with the tester to properly diagnose a vehicle. If the instruction manual is not available refer to the standard procedure in this section, which includes the directions for using the Micro 420 battery tester.

WARNING: IF THE BATTERY SHOWS SIGNS OF FREEZING, LEAKING OR LOOSE POSTS, DO NOT TEST, ASSIST-BOOST, OR CHARGE. THE BATTERY MAY ARC INTERNALLY AND EXPLODE. PERSONAL INJURY AND/OR VEHICLE DAMAGE MAY RESULT.

WARNING: EXPLOSIVE HYDROGEN GAS FORMS IN AND AROUND THE BATTERY. DO NOT SMOKE, USE FLAME, OR CREATE SPARKS NEAR THE BATTERY. PERSONAL INJURY AND/OR VEHICLE DAMAGE MAY RESULT.

WARNING: THE BATTERY CONTAINS SULFURIC ACID, WHICH IS POISONOUS AND CAUSTIC. AVOID CONTACT WITH THE SKIN, EYES, OR CLOTHING. IN THE EVENT OF CONTACT, FLUSH WITH WATER AND CALL A PHYSICIAN IMMEDIATELY. KEEP OUT OF THE REACH OF CHILDREN.

A battery that will not accept a charge is faulty, and must be replaced. Further testing is not required. A fully-charged battery must be tested to determine its cranking capacity. A battery that is fully-charged, but does not pass the Micro 420 or load test, is faulty and must be replaced.

NOTE: Completely discharged batteries may take several hours to accept a charge. Refer to Standard Procedures for the proper battery charging procedures.

STANDARD PROCEDURE

STANDARD PROCEDURE - BATTERY CHARGING

Battery charging is the means by which the battery can be restored to its full voltage potential. A battery is fully-charged when:

- Micro 420 electrical system tester indicates battery is OK.
- Three hydrometer tests, taken at one-hour intervals, indicate no increase in the temperature-corrected specific gravity of the battery electrolyte.
- Passes Load test.
- Open-circuit voltage of the battery is 12.65 volts or above.

WARNING: IF THE BATTERY SHOWS SIGNS OF FREEZING, LEAKING OR LOOSE POSTS, DO NOT TEST, ASSIST-BOOST, OR CHARGE. THE BATTERY MAY ARC INTERNALLY AND EXPLODE. PERSONAL INJURY AND/OR VEHICLE DAMAGE MAY RESULT.

WARNING: EXPLOSIVE HYDROGEN GAS FORMS IN AND AROUND THE BATTERY. DO NOT SMOKE, USE FLAME, OR CREATE SPARKS NEAR THE BATTERY. PERSONAL INJURY AND/OR VEHICLE DAMAGE MAY RESULT.

WARNING: THE BATTERY CONTAINS SULFURIC ACID, WHICH IS POISONOUS AND CAUSTIC. AVOID CONTACT WITH THE SKIN, EYES, OR CLOTHING. IN THE EVENT OF CONTACT, FLUSH WITH WATER AND CALL A PHYSICIAN IMMEDIATELY. KEEP OUT OF THE REACH OF CHILDREN.

WARNING: IF THE BATTERY IS EQUIPPED WITH REMOVABLE CELL CAPS, BE CERTAIN THAT EACH OF THE CELL CAPS IS IN PLACE AND TIGHT BEFORE THE BATTERY IS RETURNED TO SERVICE. PERSONAL INJURY AND/OR VEHICLE DAMAGE MAY RESULT FROM LOOSE OR MISSING CELL CAPS.

CAUTION: Always disconnect and isolate the battery negative cable before charging a battery. Do not exceed sixteen volts while charging a battery. Damage to the vehicle electrical system components may result.

CAUTION: Battery electrolyte will bubble inside the battery case during normal battery charging. Electrolyte boiling or being discharged from the battery vents indicates a battery overcharging condition. Immediately reduce the charging rate or turn off the

charger to evaluate the battery condition. Damage to the battery may result from overcharging.

CAUTION: The battery should not be hot to the touch. If the battery feels hot to the touch, turn off the charger and let the battery cool before continuing the charging operation. Damage to the battery may result.

Some battery chargers are equipped with polarity-sensing circuitry. This circuitry protects the battery charger and the battery from being damaged if they are improperly connected. If the battery state-of-charge is too low for the polarity-sensing circuitry to detect, the battery charger will not operate. This makes it appear that the battery will not accept charging current. See the instructions provided by the manufacturer of the battery charger for details on how to bypass the polarity-sensing circuitry.

After the battery has been charged to 12.4 volts or greater, retest the battery using the Micro 420 tester or perform a load test to determine the battery cranking capacity. If the battery will endure a load test, return the battery to service. If the battery will not endure a load test, it is faulty and must be replaced.

Clean and inspect the battery hold downs, tray, terminals, posts, and top before completing battery service. Refer to Battery System Cleaning for the proper battery system cleaning procedures, and Battery System Inspection for the proper battery system inspection procedures.

CHARGING A COMPLETELY DISCHARGED BATTERY

The following procedure should be used to recharge a completely discharged battery. Unless this procedure is properly followed, a good battery may be needlessly replaced.

(1) Measure the voltage at the battery posts with a voltmeter, accurate to 1/10 (0.10) volt (Fig. 4). If the reading is below ten volts, the battery charging current will be low. It could take some time before the battery accepts a current greater than a few milliamperes. Such low current may not be detectable on the ammeters built into many battery chargers.

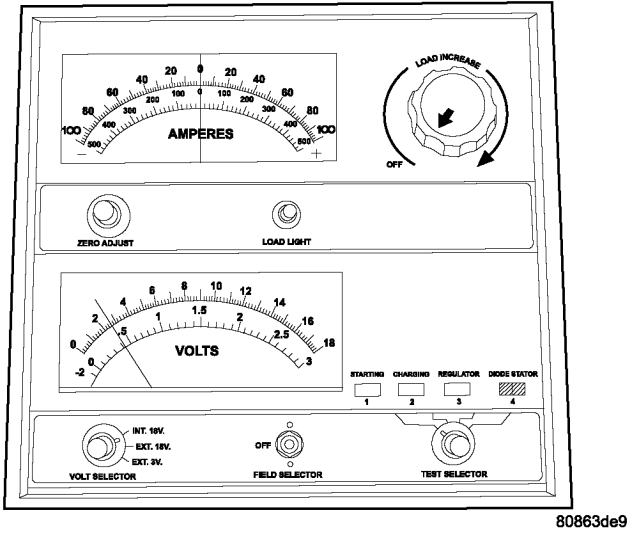


Fig. 4 VOLTMETER ACCURATE TO 1/10 VOLT

(2) Disconnect and isolate the battery negative cable. Connect the battery charger leads. Some battery chargers are equipped with polarity-sensing circuitry. This circuitry protects the battery charger and the battery from being damaged if they are improperly connected. If the battery state-of-charge is too low for the polarity-sensing circuitry to detect, the battery charger will not operate. This makes it appear that the battery will not accept charging current. See the instructions provided by the manufacturer of the battery charger for details on how to bypass the polarity-sensing circuitry.

(3) Battery chargers vary in the amount of voltage and current they provide. The amount of time required for a battery to accept measurable charging current at various voltages is shown in the Charge Rate Table. If the charging current is still not measurable at the end of the charging time, the battery is faulty and must be replaced. If the charging current is measurable during the charging time, the battery may be good and the charging should be completed in the normal manner.

CHARGE RATE TABLE	
Voltage	Hours
16.0 volts maximum	up to 4 hours
14.0 to 15.9 volts	up to 8 hours
13.9 volts or less	up to 16 hours

CHARGING TIME REQUIRED

The time required to charge a battery will vary, depending upon the following factors:

- **Battery Capacity** - A completely discharged heavy-duty battery requires twice the charging time of a small capacity battery.

- **Temperature** - A longer time will be needed to charge a battery at -18° C (0° F) than at 27° C (80° F). When a fast battery charger is connected to a cold battery, the current accepted by the battery will be very low at first. As the battery warms, it will accept a higher charging current rate (amperage).

- **Charger Capacity** - A battery charger that supplies only five amperes will require a longer charging time. A battery charger that supplies twenty amperes or more will require a shorter charging time.

- **State-Of-Charge** - A completely discharged battery requires more charging time than a partially discharged battery. Electrolyte is nearly pure water in a completely discharged battery. At first, the charging current (amperage) will be low. As the battery charges, the specific gravity of the electrolyte will gradually rise.

The Battery Charging Time Table gives an indication of the time required to charge a typical battery at room temperature based upon the battery state-of-charge and the charger capacity.

BATTERY CHARGING TIME TABLE			
Charging Amperage	5 Amps	10 Amps	20 Amps
Open Circuit Voltage	Hours Charging @ 21° C (70° F)		
12.25 to 12.49	6 hours	3 hours	1.5 hours
12.00 to 12.24	10 hours	5 hours	2.5 hours
10.00 to 11.99	14 hours	7 hours	3.5 hours
Below 10.00	18 hours	9 hours	4.5 hours

STANDARD PROCEDURE - OPEN - CIRCUIT VOLTAGE TEST

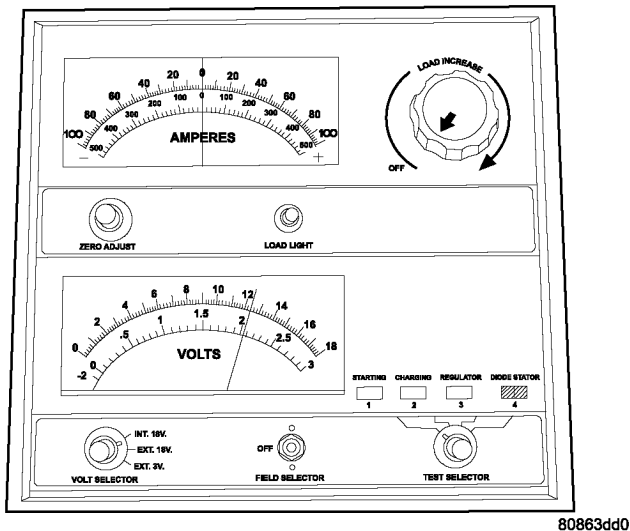
A battery open-circuit voltage (no load) test will show the approximate state-of-charge of a battery. This test can be used in place of the hydrometer test when a hydrometer is not available, or for maintenance-free batteries with non-removable cell caps.

Before proceeding with this test, completely charge the battery (Refer to 8 - ELECTRICAL/BATTERY SYSTEM/BATTERY - STANDARD PROCEDURE).

(1) Before measuring the open-circuit voltage, the surface charge must be removed from the battery. Turn on the headlamps for fifteen seconds, then allow up to five minutes for the battery voltage to stabilize.

(2) Disconnect and isolate both battery cables, negative cable first.

(3) Using a voltmeter connected to the battery posts (see the instructions provided by the manufacturer of the voltmeter), measure the open-circuit voltage (Fig. 5).



80863dd0

Fig. 5 Testing Open Circuit Voltage

See the Open-Circuit Voltage Table. This voltage reading will indicate the battery state-of-charge, but will not reveal its cranking capacity. If a battery has an open-circuit voltage reading of 12.4 volts or greater, it may be load tested to reveal its cranking capacity (Refer to 8 - ELECTRICAL/BATTERY SYSTEM/BATTERY - STANDARD PROCEDURE).

OPEN CIRCUIT VOLTAGE TABLE	
Open Circuit Voltage	Charge Percentage
11.7 volts or less	0%
12.0 volts	25%
12.2 volts	50%
12.4 volts	75%
12.6 volts or more	100%

STANDARD PROCEDURE - IGNITION - OFF DRAW TEST

The term Ignition-Off Draw (IOD) identifies a normal condition where power is being drained from the battery with the ignition switch in the Off position. A normal vehicle electrical system will draw from five to thirty-five milliamperes (0.005 to 0.035 ampere) with the ignition switch in the Off position, and all non-ignition controlled circuits in proper working order. Up to thirty-five milliamperes are needed to enable the memory functions for the Powertrain Control Module (PCM), digital clock, electronically tuned radio, and other modules which may vary with the vehicle equipment.

A vehicle that has not been operated for approximately twenty days, may discharge the battery to an inadequate level. When a vehicle will not be used for twenty days or more (stored), remove the IOD fuse from the fuseblock. This will reduce battery discharging.

Excessive IOD can be caused by:

- Electrical items left on.
- Faulty or improperly adjusted switches.
- Faulty or shorted electronic modules and components.
- An internally shorted generator.
- Intermittent shorts in the wiring.

If the IOD is over thirty-five milliamperes, the problem must be found and corrected before replacing a battery. In most cases, the battery can be charged and returned to service after the excessive IOD condition has been corrected.

(1) Verify that all electrical accessories are off. Turn off all lamps, remove the ignition key, and close all doors. If the vehicle is equipped with an illuminated entry system or an electronically tuned radio, allow the electronic timer function of these systems to automatically shut off (time out). This may take up to three minutes.

(2) Determine that the underhood lamp is operating properly, then disconnect the lamp wire harness connector or remove the lamp bulb.

(3) Disconnect the battery negative cable.

(4) Set an electronic digital multi-meter to its highest amperage scale. Connect the multi-meter between the disconnected battery negative cable terminal clamp and the battery negative terminal post. Make sure that the doors remain closed so that the illuminated entry system is not activated. The multi-meter amperage reading may remain high for up to three minutes, or may not give any reading at all while set in the highest amperage scale, depending upon the electrical equipment in the vehicle. The multi-meter leads must be securely clamped to the battery negative cable terminal clamp and the battery negative terminal post. If continuity between the battery negative terminal post and the negative cable terminal clamp is lost during any part of the IOD test, the electronic timer function will be activated and all of the tests will have to be repeated.

(5) After about three minutes, the high-amperage IOD reading on the multi-meter should become very low or nonexistent, depending upon the electrical equipment in the vehicle. If the amperage reading remains high, remove and replace each fuse or circuit breaker in the Fuse Blocks, one at a time until the amperage reading becomes very low, or nonexistent. Refer to the appropriate wiring information in this service manual for complete fuseblock fuse, circuit breaker, and circuit identification. This will isolate

each circuit and identify the circuit that is the source of the high-amperage IOD. If the amperage reading remains high after removing and replacing each fuse and circuit breaker, disconnect the wire harness from the generator. If the amperage reading now becomes very low or nonexistent, refer to Charging System for the proper charging system diagnosis and testing procedures. After the high-amperage IOD has been corrected, switch the multi-meter to progressively lower amperage scales and, if necessary, repeat the fuse and circuit breaker remove-and-replace process to identify and correct all sources of excessive IOD. It is now safe to select the lowest milliampere scale of the multi-meter to check the low-amperage IOD.

CAUTION: Do not open any doors, or turn on any electrical accessories with the lowest milliampere scale selected, or the multi-meter may be damaged.

(6) Observe the multi-meter reading. The low-amperage IOD should not exceed thirty-five milliamperes (0.035 ampere). If the current draw exceeds thirty-five milliamperes, isolate each circuit using the fuse and circuit breaker remove-and-replace process in Step 5. The multi-meter reading will drop to within the acceptable limit when the source of the excessive current draw is disconnected. Repair this circuit as required; whether a wiring short, incorrect switch adjustment, or a component failure is at fault.

STANDARD PROCEDURE - USING MICRO 420 BATTERY TESTER

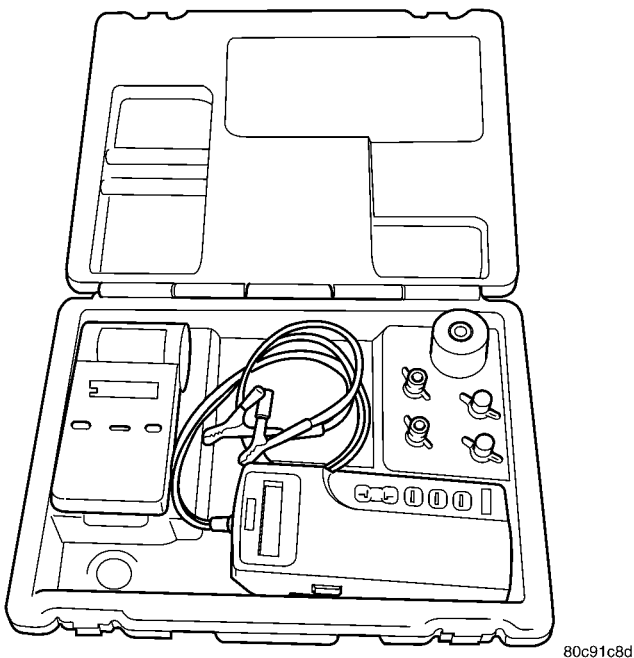


Fig. 6 Micro 420 Battery Tester

Always use the Micro 420 Instruction Manual that was supplied with the tester as a reference. If the

Instruction Manual is not available the following procedure can be used:

WARNING: ALWAYS WEAR APPROPRIATE EYE PROTECTION AND USE EXTREME CAUTION WHEN WORKING WITH BATTERIES.

BATTERY TESTING

(1) If testing the battery OUT-OF-VEHICLE, clean the battery terminals with a wire brush before testing. If the battery is equipped with side post terminals, install and tighten the supplied lead terminal stud adapters. Do not use steel bolts. Failure to properly install the stud adapters, or using stud adapters that are dirty or worn-out may result in false test readings.

(2) If testing the battery IN-THE-VEHICLE, make certain all of the vehicle accessory loads are OFF, including the ignition. **The preferred test position is at the battery terminal.** If the battery is not accessible, you may test using both the positive and negative jumper posts. Select TESTING AT JUMPER POST when connecting to that location.

(3) Connect the tester (Fig. 6) to the battery or jumper posts, the red clamp to positive (+) and the black clamp to negative (-).

NOTE: Multiple batteries connected in parallel must have the ground cable disconnected to perform a battery test. Failure to disconnect may result in false battery test readings.

(4) Using the ARROW key select **in** or **out** of vehicle testing and press ENTER to make a selection.

(5) If not selected, choose the Cold Cranking Amp (CCA) battery rating. Or select the appropriate battery rating for your area (see menu). The tester will then run its self programmed test of the battery and display the results. Refer to the test result table noted below.

CAUTION: If REPLACE BATTERY is the result of the test, this may mean a poor connection between the vehicle's cables and battery exists. After disconnecting the vehicle's battery cables from the battery, retest the battery using the OUT-OF-VEHICLE test before replacing.

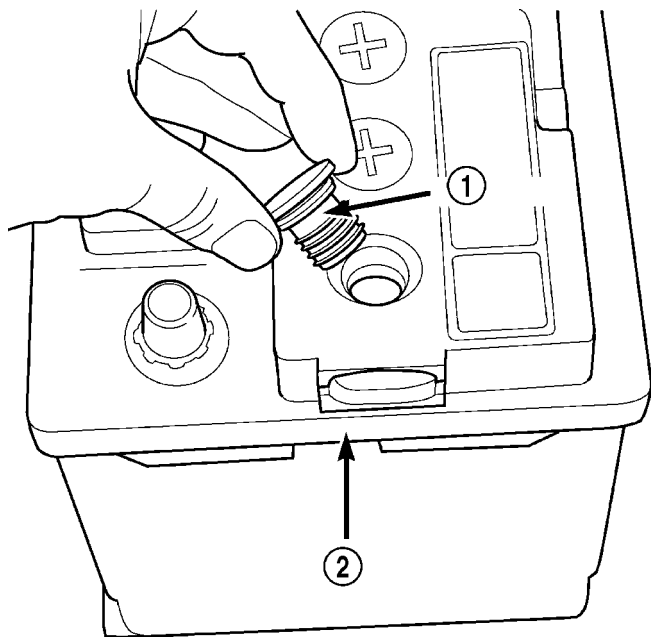
(6) While viewing the battery test result, press the CODE button and the tester will prompt you for the last 4 digits of the VIN. Use the UP/DOWN arrow buttons to scroll to the correct character; then press ENTER to select and move to the next digit. Then press the ENTER button to view the SERVICE CODE. Pressing the CODE button a second time will return you to the test results.

BATTERY TEST RESULTS	
GOOD BATTERY	Return to service
GOOD - RECHARGE	Fully charge battery and return to service
CHARGE & RETEST	Fully charge battery and retest battery
REPLACE BATTERY	Replace the battery and retest complete system
BAD-CELL REPLACE	Replace the battery and retest complete system

NOTE: The **SERVICE CODE** is required on every warranty claim submitted for battery replacement.

STANDARD PROCEDURE - CHECKING BATTERY ELECTROLYTE LEVEL

- (1) Remove the battery cell caps (Fig. 7).

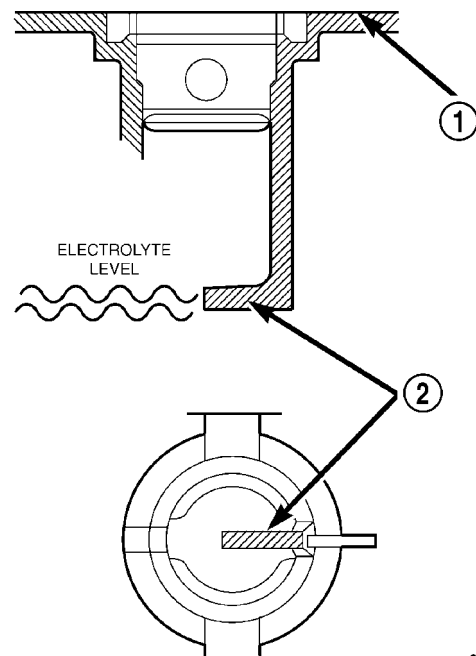


80b76fd0

Fig. 7 Battery Cell Caps

- 1 - BATTERY CELL CAP
2 - BATTERY

(2) Look through the battery cap holes to determine the level of the electrolyte in the battery (Fig. 8). The electrolyte should be approximately 1 centimeter above the battery plates or until the hook inside the battery cap holes is covered.



80b76fd2

Fig. 8 Hook Inside Battery Cap Holes

- 1 - BATTERY SURFACE COVER
2 - HOOK

(3) Add only distilled water until the electrolyte level is approx. one centimeter above the plates.

REMOVAL

UNDER HOOD BATTERY REMOVAL

(1) Turn the ignition switch to the Off position. Be certain that all electrical accessories are turned off.

(2) Loosen the battery negative cable terminal clamp pinch-bolt hex nut.

(3) Disconnect the battery negative cable terminal clamp from the battery negative terminal post. If necessary, use a battery terminal puller to remove the terminal clamp from the battery post.

(4) Loosen the battery positive cable terminal clamp pinch-bolt hex nut.

(5) Disconnect the battery positive cable terminal clamp from the battery positive terminal post. If necessary, use a battery terminal puller to remove the terminal clamp from the battery post.

(6) Remove the battery hold downs from the battery (Refer to 8 - ELECTRICAL/BATTERY SYSTEM/BATTERY HOLDDOWN - REMOVAL).

WARNING: WEAR A SUITABLE PAIR OF RUBBER GLOVES (NOT THE HOUSEHOLD TYPE) WHEN REMOVING A BATTERY BY HAND. SAFETY GLASSES SHOULD ALSO BE WORN. IF THE BATTERY IS CRACKED OR LEAKING, THE ELECTROLYTE CAN BURN THE SKIN AND EYES.

(7) Remove the battery from the battery tray.

AUXILIARY BATTERY REMOVAL

(1) Turn the ignition switch to the Off position. Be certain that all electrical accessories are turned off.

(2) Remove the passenger front seat assembly. Refer to the Body section for procedure.

(3) Remove the top cover from the seat base assembly.

(4) Loosen the battery negative cable terminal clamp pinch-bolt hex nut.

(5) Disconnect the battery negative cable terminal clamp from the battery negative terminal post. If necessary, use a battery terminal puller to remove the terminal clamp from the battery post.

(6) Loosen the battery positive cable terminal clamp pinch-bolt hex nut.

(7) Disconnect the battery positive cable terminal clamp from the battery positive terminal post. If necessary, use a battery terminal puller to remove the terminal clamp from the battery post.

(8) Remove the battery hold downs from the battery (Refer to 8 - ELECTRICAL/BATTERY SYSTEM/BATTERY HOLDDOWN - REMOVAL).

WARNING: WEAR A SUITABLE PAIR OF RUBBER GLOVES (NOT THE HOUSEHOLD TYPE) WHEN REMOVING A BATTERY BY HAND. SAFETY GLASSES SHOULD ALSO BE WORN. IF THE BATTERY IS CRACKED OR LEAKING, THE ELECTROLYTE CAN BURN THE SKIN AND EYES.

(9) Remove the battery from the battery tray.

INSTALLATION

UNDER HOOD BATTERY INSTALLATION

(1) Position the battery onto the battery tray. Ensure that the battery positive and negative terminal posts are correctly positioned. The battery cable terminal clamps must reach the correct battery terminal post without stretching the cables.

(2) Reinstall the battery hold downs onto the battery (Refer to 8 - ELECTRICAL/BATTERY SYSTEM/BATTERY HOLDDOWN - INSTALLATION).

CAUTION: Be certain that the battery cable terminal clamps are connected to the correct battery terminal posts. Reverse battery polarity may damage electrical components of the vehicle.

(3) Reconnect the battery positive cable terminal clamp to the battery positive terminal post. Tighten the terminal clamp pinch-bolt hex nut to 11.8 N·m (105 in. lbs.).

(4) Reconnect the battery negative cable terminal clamp to the battery negative terminal post. Tighten the terminal clamp pinch-bolt hex nut to 7.9 N·m (70 in. lbs.).

(5) Apply a thin coating of petroleum jelly or chassis grease to the exposed surfaces of the battery cable terminal clamps and the battery terminal posts.

AUXILIARY BATTERY INSTALLATION

(1) Position the battery onto the battery tray. Ensure that the battery positive and negative terminal posts are correctly positioned. The battery cable terminal clamps must reach the correct battery terminal post without stretching the cables.

(2) Reinstall the battery hold downs onto the battery (Refer to 8 - ELECTRICAL/BATTERY SYSTEM/BATTERY HOLDDOWN - INSTALLATION).

CAUTION: Be certain that the battery cable terminal clamps are connected to the correct battery terminal posts. Reverse battery polarity may damage electrical components of the vehicle.

(3) Reconnect the battery positive cable terminal clamp to the battery positive terminal post. Tighten the terminal clamp pinch-bolt hex nut to 11.8 N·m (105 in. lbs.).

(4) Reconnect the battery negative cable terminal clamp to the battery negative terminal post. Tighten the terminal clamp pinch-bolt hex nut to 7.9 N·m (70 in. lbs.).

(5) Apply a thin coating of petroleum jelly or chassis grease to the exposed surfaces of the battery cable terminal clamps and the battery terminal posts.

(6) Install the top cover on the seat base assembly.

(7) Install the passenger front seat assembly. Refer to the Body section for procedure.

BATTERY HOLDDOWN

DESCRIPTION

The battery hold down hardware includes two hex nuts with washers and two hold down brackets. The battery hold down brackets are formed of stamped steel. The hold down assembly is coated for corrosion protection.

When installing a battery into the battery tray, be certain that the hold down hardware is properly installed and that the fasteners are tightened to the proper specifications. Improper hold down fastener tightness, whether too loose or too tight, can result in damage to the battery, the vehicle or both.

REMOVAL

(1) Turn the ignition switch to the Off position. Be certain that all electrical accessories are turned off.

(2) Remove the two nuts that secure the battery hold down brackets to the battery tray.

(3) Remove the battery hold down brackets.

INSTALLATION

- (1) Install the battery hold down brackets.
- (2) Install the two nuts that secure the battery hold down brackets to the battery tray. Tighten to 70 in. lbs.

BATTERY CABLES

DESCRIPTION

The battery cables are large gauge, stranded copper wires sheathed within a heavy plastic or synthetic rubber insulating jacket. The wire used in the battery cables combines excellent flexibility and reliability with high electrical current carrying capacity.

The battery cables cannot be repaired and, if damaged or faulty they must be replaced. Both the battery positive and negative cables are available for service replacement only as a unit with the battery positive cable wire harness or the battery negative cable wire harness, which may include portions of the wiring circuits for the generator and other components on some models.

The battery cables feature a stamped brass clamping type female battery terminal crimped onto one end of the battery cable wire and then solder-dipped. A square headed pinch-bolt and hex nut are installed at the open end of the female battery terminal clamp. The battery positive cable also includes a red molded rubber protective cover for the female battery terminal clamp. Large eyelet type terminals are crimped onto the opposite end of the battery cable wire and then solder-dipped. The battery positive cable wires have a red insulating jacket to provide visual identification and feature a larger female battery terminal clamp to allow connection to the larger battery positive terminal post. The battery negative cable wires have a black insulating jacket and a smaller female battery terminal clamp.

OPERATION

The battery cables connect the battery terminal posts to the vehicle electrical system. These cables also provide a return path for electrical current generated by the charging system for restoring the voltage potential of the battery. The female battery terminal clamps on the ends of the battery cable wires provide a strong and reliable connection of the battery cable to the battery terminal posts. The terminal pinch bolts allow the female terminal clamps to be tightened around the male terminal posts on the top of the battery. The eyelet terminals secured to the ends of the battery cable wires opposite the female battery terminal clamps provide secure and reliable connection of the battery to the vehicle electrical system.

DIAGNOSIS AND TESTING - BATTERY CABLES

A voltage drop test will determine if there is excessive resistance in the battery cable terminal connections or the battery cables. If excessive resistance is found in the battery cable connections, the connection point should be disassembled, cleaned of all corrosion or foreign material, then reassembled. Following reassembly, check the voltage drop for the battery cable connection and the battery cable again to confirm repair.

When performing the voltage drop test, it is important to remember that the voltage drop is giving an indication of the resistance between the two points at which the voltmeter probes are attached. **EXAMPLE:** When testing the resistance of the battery positive cable, touch the voltmeter leads to the battery positive cable terminal clamp and to the battery positive cable eyelet terminal at the starter solenoid B(+) terminal stud. If you probe the battery positive terminal post and the battery positive cable eyelet terminal at the starter solenoid B(+) terminal stud, you are reading the combined voltage drop in the battery positive cable terminal clamp-to-terminal post connection and the battery positive cable.

VOLTAGE DROP TEST

WARNING: IF THE BATTERY SHOWS SIGNS OF FREEZING, LEAKING, LOOSE POSTS, OR LOW ELECTROLYTE LEVEL, DO NOT TEST, ASSIST-BOOST, OR CHARGE. THE BATTERY MAY ARC INTERNALLY AND EXPLODE. PERSONAL INJURY AND/OR VEHICLE DAMAGE MAY RESULT.

WARNING: EXPLOSIVE HYDROGEN GAS FORMS IN AND AROUND THE BATTERY. DO NOT SMOKE, USE FLAME, OR CREATE SPARKS NEAR THE BATTERY. PERSONAL INJURY AND/OR VEHICLE DAMAGE MAY RESULT.

WARNING: THE BATTERY CONTAINS SULFURIC ACID, WHICH IS POISONOUS AND CAUSTIC. AVOID CONTACT WITH THE SKIN, EYES, OR CLOTHING. IN THE EVENT OF CONTACT, FLUSH WITH WATER AND CALL A PHYSICIAN IMMEDIATELY. KEEP OUT OF THE REACH OF CHILDREN.

WARNING: IF THE BATTERY IS EQUIPPED WITH REMOVABLE CELL CAPS, BE CERTAIN THAT EACH OF THE CELL CAPS IS IN PLACE AND TIGHT BEFORE THE BATTERY IS RETURNED TO SERVICE. PERSONAL INJURY AND/OR VEHICLE DAMAGE MAY RESULT FROM LOOSE OR MISSING CELL CAPS.

The following operation will require a voltmeter accurate to 1/10 (0.10) volt. Before performing this test, be certain that the following procedures are accomplished:

- The battery is fully-charged and tested. (Refer to 8 - ELECTRICAL/BATTERY SYSTEM/BATTERY - STANDARD PROCEDURE).
- Fully engage the parking brake.
- Place the automatic transmission gearshift selector lever in the Park position.
- Verify that all lamps and accessories are turned off.
- Prevent the engine from starting.

(1) Connect the positive lead of the voltmeter to the battery negative terminal post. Connect the negative lead of the voltmeter to the battery negative cable terminal clamp (Fig. 9). Rotate and hold the ignition switch in the Start position. Observe the voltmeter. If voltage is detected, correct the poor connection between the battery negative cable terminal clamp and the battery negative terminal post.

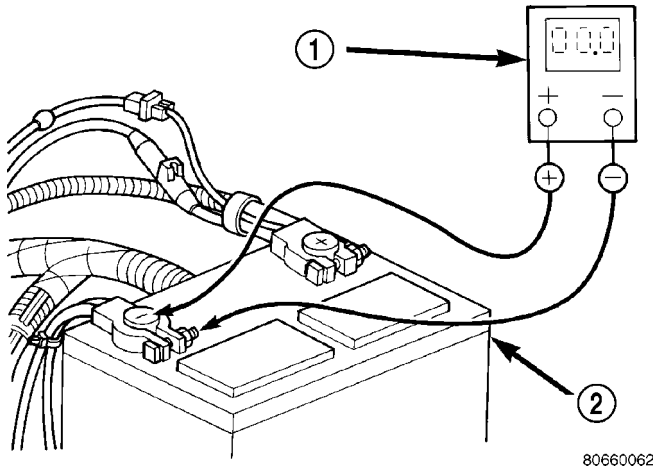


Fig. 9 Test Battery Negative Connection Resistance - Typical

1 - VOLTMETER
2 - BATTERY

(2) Connect the positive lead of the voltmeter to the battery positive terminal post. Connect the negative lead of the voltmeter to the battery positive cable terminal clamp (Fig. 10). Rotate and hold the ignition switch in the Start position. Observe the voltmeter. If voltage is detected, correct the poor connection between the battery positive cable terminal clamp and the battery positive terminal post.

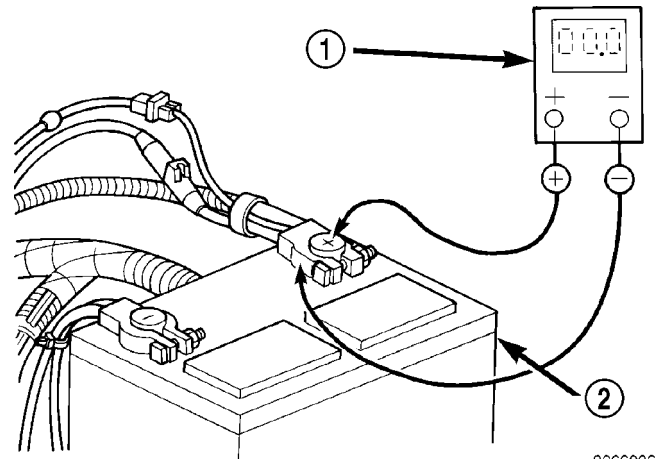


Fig. 10 Test Battery Positive Connection Resistance - Typical

1 - VOLTMETER
2 - BATTERY

(3) Connect the voltmeter to measure between the battery positive cable terminal clamp and the starter solenoid B(+) terminal stud (Fig. 11). Rotate and hold the ignition switch in the Start position. Observe the voltmeter. If the reading is above 0.2 volt, clean and tighten the battery positive cable eyelet terminal connection at the starter solenoid B(+) terminal stud. Repeat the test. If the reading is still above 0.2 volt, replace the faulty battery positive cable.

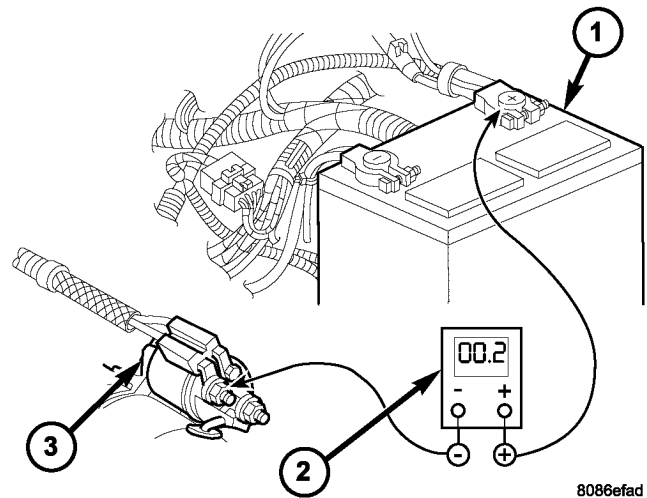


Fig. 11 Test Battery Positive Cable Resistance - Typical

1 - BATTERY
2 - VOLTMETER
3 - STARTER MOTOR

(4) Connect the voltmeter to measure between the battery negative cable terminal clamp and a good clean ground on the engine block (Fig. 12). Rotate and hold the ignition switch in the Start position. Observe the voltmeter. If the reading is above 0.2

volt, clean and tighten the battery negative cable eyelet terminal connection to the engine block. Repeat the test. If the reading is still above 0.2 volt, replace the faulty battery negative cable.

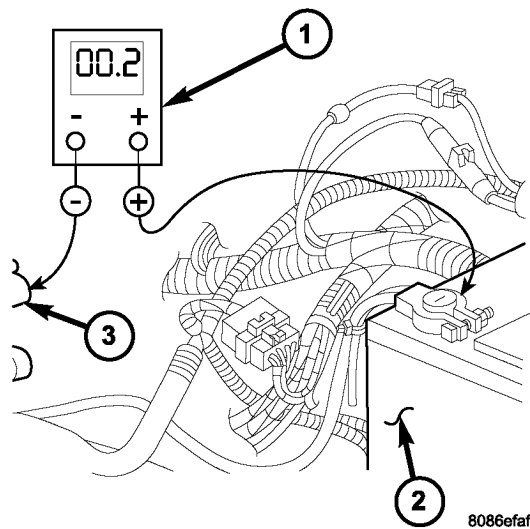


Fig. 12 Test Ground Circuit Resistance - Typical

- 1 - VOLTMETER
- 2 - BATTERY
- 3 - ENGINE GROUND

REMOVAL

- (1) Turn the ignition switch to the Off position. Be certain that all electrical accessories are turned off.
- (2) Disconnect and isolate the remote battery negative cable terminal.
- (3) One at a time, trace and disconnect the battery cable retaining pushpins, fasteners and routing clips until the cables are free from the vehicle.
- (4) Feed the battery cable assembly out of the vehicle.

INSTALLATION

- (1) Position the battery cable in the vehicle.
- (2) One at a time, install the battery cable retaining pushpins, fasteners and routing clips until the cable is installed exactly in the factory installed location in the vehicle. Refer to the Wiring Diagram section of the service manual for reference.
- (3) Connect the battery negative cable terminal.

BATTERY TRAY

DESCRIPTION

The battery is mounted in a stamped steel battery tray located in the left front corner of the engine compartment. The battery tray is secured with bolts to the left front wheelhouse inner steel panel. A hole in the bottom of the battery tray is fitted with a

formed drain tube. A second hole in the bottom of the tray is fitted with a battery temperature sensor.

OPERATION

The battery tray provides a mounting location and support for the vehicle battery. The battery tray support supports the battery tray and provides an anchor point for the inboard battery hold down hardware. The battery tray and the battery hold down hardware combine to secure and stabilize the battery in the engine compartment, which prevents battery movement during vehicle operation. Unrestrained battery movement during vehicle operation could result in damage to the vehicle, the battery or both. The battery tray drain tube directs spilled water or electrolyte from a leaking battery to the ground through another hole in the front extension of the left front wheelhouse inner panel.

REMOVAL

- (1) Remove the battery from the battery tray. (Refer to 8 - ELECTRICAL/BATTERY SYSTEM/BATTERY - REMOVAL).
- (2) Remove the battery temperature sensor from the battery tray. (Refer to 8 - ELECTRICAL/CHARGING/BATTERY TEMPERATURE SENSOR - REMOVAL).
- (3) Remove the bolts that secure the battery tray to the battery tray support.
- (4) Remove the battery tray from the vehicle.

INSTALLATION

- (1) Clean and inspect the battery tray. (Refer to 8 - ELECTRICAL/BATTERY SYSTEM - CLEANING).
- (2) Position the battery tray onto the battery tray support.
- (3) Install and tighten the bolts that secure the battery tray to the battery tray support. Tighten the screws to 11.8 N·m (105 in. lbs.).
- (4) Install the battery temperature sensor onto the battery tray. (Refer to 8 - ELECTRICAL/CHARGING/BATTERY TEMPERATURE SENSOR - INSTALLATION).
- (5) Install the battery onto the battery tray. (Refer to 8 - ELECTRICAL/BATTERY SYSTEM/BATTERY - INSTALLATION).

CHARGING SYSTEM

TABLE OF CONTENTS

	page		page
CHARGING SYSTEM		OPERATION	19
SPECIFICATIONS		DIAGNOSIS AND TESTING - GENERATOR	
TORQUE – 2.7L DIESEL	17	DECOUPLER	20
SPECIAL TOOLS	18	REMOVAL	20
GENERATOR		INSTALLATION	22
DESCRIPTION	18	VOLTAGE REGULATOR	
OPERATION	18	DESCRIPTION	24
REMOVAL	18	REMOVAL	24
INSTALLATION	19	INSTALLATION	26
GENERATOR DECOUPLER PULLEY			
DESCRIPTION	19		

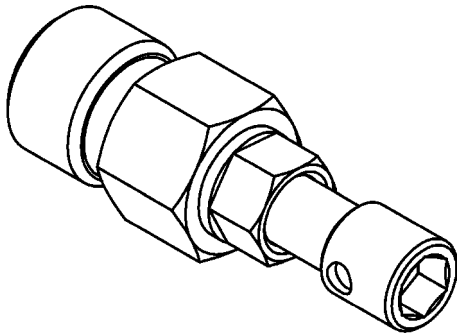
CHARGING SYSTEM

SPECIFICATIONS

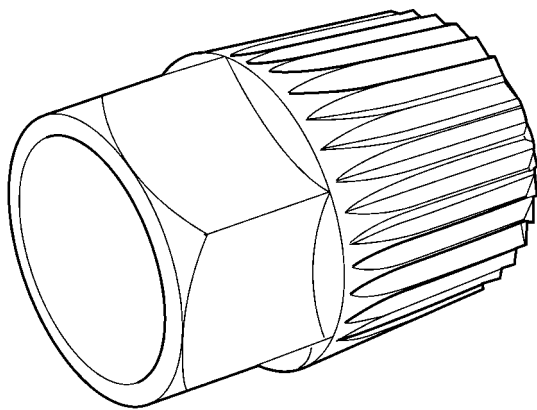
TORQUE – 2.7L DIESEL

DESCRIPTION	N-m	Ft. Lbs.	In. Lbs.
B+ Terminal Nut (larger of 2 nuts)	18	-	159
D+ Terminal Nut (smaller of 2 nuts)	5	-	44
Rear Generator Support Bracket Bolts (to engine)	28	-	250
Generator Decoupler	110	81	-
Generator/Turbocharger Brace Bolt at Turbocharger End	30	22	-
Generator/Turbocharger Brace Bolt at Engine End	20	15	-

SPECIAL TOOLS



GENERATOR DECOUPLER TOOL #8433



GENERATOR DECOUPLER TOOL #8823

80cb8152

GENERATOR

DESCRIPTION

The generator is belt-driven by the engine using a serpentine-type drive belt. It is serviced only as a complete assembly. If the generator fails for any reason, the entire assembly must be replaced.

On certain engines, the decoupler pulley may be replaced separately.

OPERATION

As the energized rotor begins to rotate within the generator, the spinning magnetic field induces a current into the windings of the stator coil. Once the generator begins producing sufficient current, it also provides the current needed to energize the rotor.

The stator winding connections deliver the induced AC current to 3 positive and 3 negative diodes for rectification. From the diodes, rectified DC current is

delivered to the vehicle electrical system through the generator battery terminal.

Although the generators appear the same externally, different generators with different output ratings are used on this vehicle. Be certain that the replacement generator has the same output rating and part number as the original unit. Refer to Specifications and see Generator Ratings for amperage ratings and part numbers.

Noise emitting from the generator may be caused by: worn, loose or defective bearings; a loose or defective drive pulley (decoupler pulley); incorrect, worn, damaged or misadjusted fan drive belt; loose mounting bolts; a misaligned drive pulley or a defective stator or diode.

An instrument panel mounted, battery charge indicator lamp is used. When the key is in the on position, the lamp will be illuminated. This is done as a bulb check. If this lamp remains illuminated while the engine is running, a Diagnostic Trouble Code (DTC) has been detected for the charging system.

REMOVAL

CAUTION: DISCONNECT NEGATIVE CABLE FROM BATTERY BEFORE REMOVING BATTERY OUTPUT WIRE FROM GENERATOR. FAILURE TO DO SO CAN RESULT IN INJURY.

CAUTION: Never force a belt over a pulley rim using a screwdriver. The synthetic fiber of the belt can be damaged.

CAUTION: When installing a serpentine accessory drive belt, the belt MUST be routed correctly. The water pump will be rotating in the wrong direction if the belt is installed incorrectly, causing the engine to overheat. Refer to belt routing label in engine compartment, or refer to Belt Schematics in Cooling System.

- (1) Disconnect and isolate negative battery cable.
- (2) Remove generator drive belt. Refer to Cooling System for procedure.
- (3) Raise and support vehicle.
- (4) Remove protective plastic cover from B+ stud at top of generator.
- (5) Remove nut securing battery output cable to B+ terminal at top of generator.
- (6) Unplug field terminal connector at rear of generator.
- (7) Remove 4 generator mounting bolts (Torx-style #12 bit) (Fig. 1).
- (8) Remove generator from lower side of vehicle.

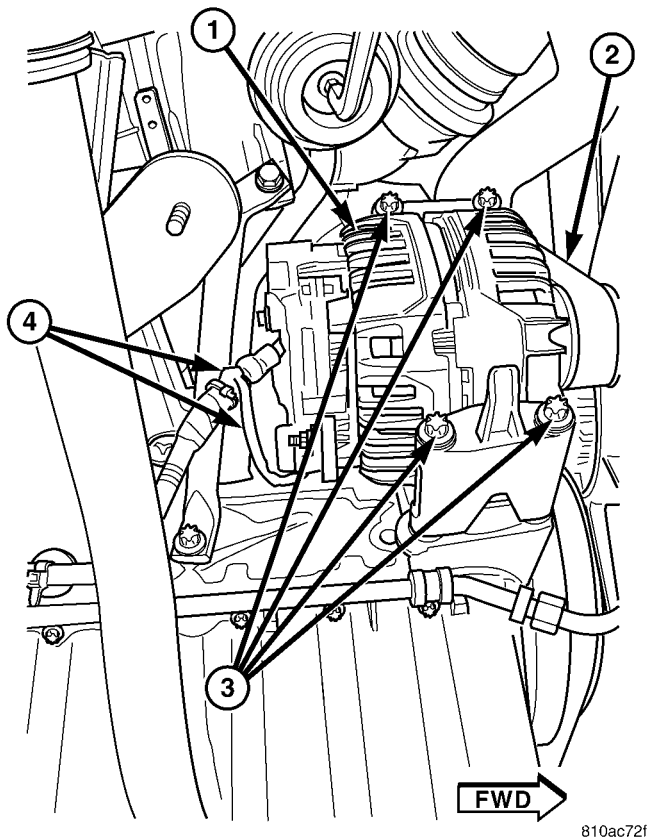


Fig. 1 GENERATOR MOUNTING - 2.7L DIESEL

- 1 - GENERATOR
- 2 - DRIVE BELT
- 3 - MOUNTING BOLTS (4)
- 4 - GENERATOR WIRING HARNESS

INSTALLATION

- (1) Raise and support vehicle.
- (2) Position generator to engine.
- (3) Install 4 generator mounting bolts (Fig. 1). Refer to Torque Specifications.
- (4) Connect field terminal connector at rear of generator.
- (5) Install battery output cable and nut to B+ terminal at top of generator. Refer to Torque Specifications.
- (6) Install protective plastic cover to B+ stud at top of generator.
- (7) Lower vehicle.

CAUTION: Never force a belt over a pulley rim using a screwdriver. The synthetic fiber of the belt can be damaged.

CAUTION: When installing a serpentine accessory drive belt, the belt **MUST** be routed correctly. The

water pump will be rotating in the wrong direction if the belt is installed incorrectly, causing the engine to overheat. Refer to belt routing label in engine compartment, or refer to Belt Schematics in Cooling System.

(8) Install generator drive belt. Refer to Cooling System for procedure.

(9) Connect negative battery cable.

(10) Check charging system for proper operation.

GENERATOR DECOUPLER PULLEY

DESCRIPTION

The generator decoupler is used only with certain engines. The decoupler is used in place of the standard generator drive pulley (Fig. 2).

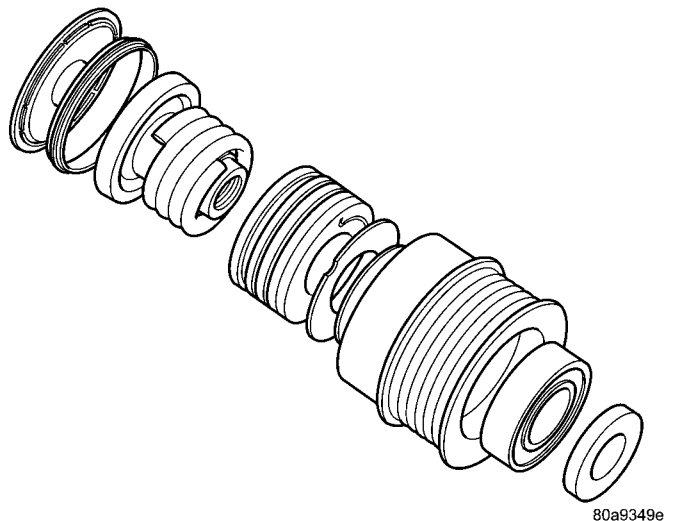


Fig. 2 GENERATOR DECOUPLER PULLEY

OPERATION

The generator decoupler is used only with certain engines. The decoupler (Fig. 2) is a one-way clutch designed to help reduce belt tension fluctuation, vibration, reduce fatigue loads, improve belt life, reduce hubloads on components, and reduce noise. Dry operation is used (no grease or lubricants). The decoupler is not temperature sensitive and also has a low sensitivity to electrical load. The decoupler is a non-serviceable item and is to be replaced as an assembly.

DIAGNOSIS AND TESTING - GENERATOR DECOUPLER

CONDITION	POSSIBLE CAUSES	CORRECTION
Does not drive generator (generator not charging)	Internal failure	Replace decoupler
Noise coming from decou- pler	Internal failure	Replace decoupler

REMOVAL

The generator decoupler is used only with certain engines.

Two different type generator decoupler pulleys are used. One can be identified by the use of machined splines (Fig. 3). The other can be identified by a hex opening (Fig. 4) and will not use splines.

Different special tools are required to service each different decoupler. Refer to following procedure.

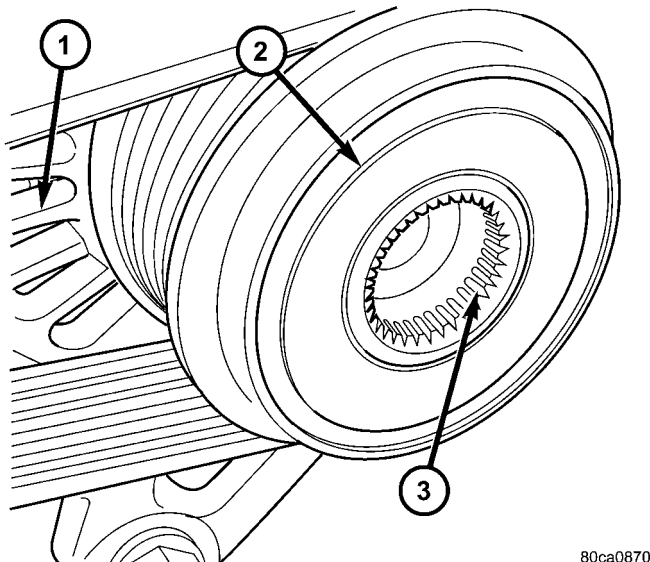


Fig. 3 GENERATOR DECOUPLER PULLEY (INA)

- 1 - GENERATOR
- 2 - DECOUPLER (INA)
- 3 - MACHINED SPLINES

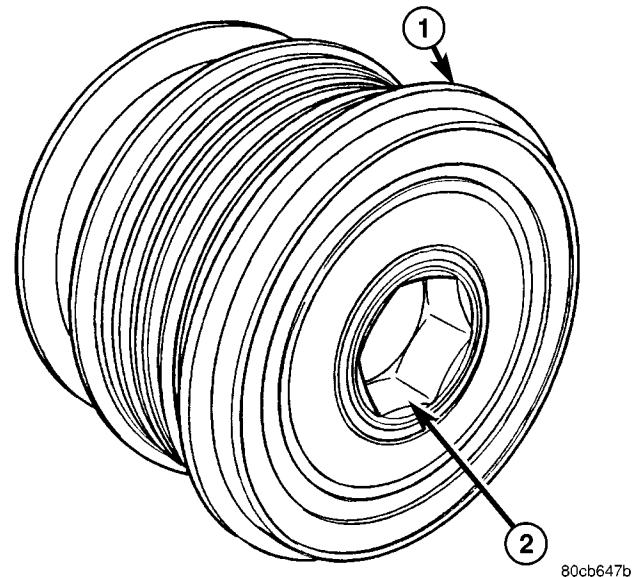


Fig. 4 GENERATOR DECOUPLER PULLEY (LITENS)

- 1 - DECOUPLER (LITENS)
- 2 - HEX OPENING

INA Decoupler

- (1) Disconnect negative battery cable.
- (2) Remove generator and accessory drive belt. Refer to Generator Removal.
- (3) Position Special Tool #8823 (VM.1048) into decoupler (Fig. 5).
- (4) Determine if end of generator shaft is hex shaped (Fig. 6) or is splined (Fig. 7). If hex is used, insert a 10MM deep socket into tool #8823 (VM.1048) (Fig. 8). If splined, insert a 5/16" 6-point hex driver, or a 10MM 12-point triple square driver into tool #8823 (VM.1048) (Fig. 9).
- (5) The generator shaft uses conventional right-hand threads to attach decoupler. To break decoupler loose from generator threads, rotate end of tool clockwise (Fig. 8) or, (Fig. 9).
- (6) After breaking loose with tool, unthread decoupler by hand from generator.

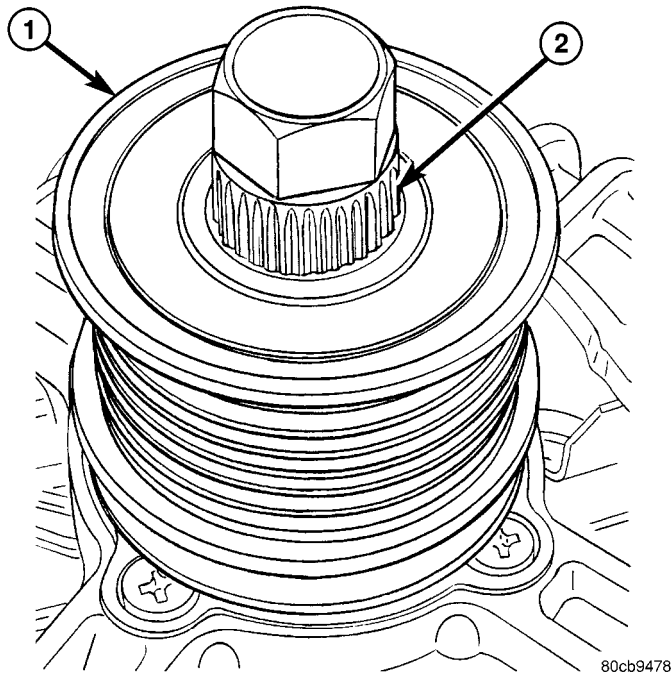


Fig. 5 #8823 TOOL AND INA DECOUPLER

- 1 - INA DECOUPLER
- 2 - TOOL #8823 (VM.1048)

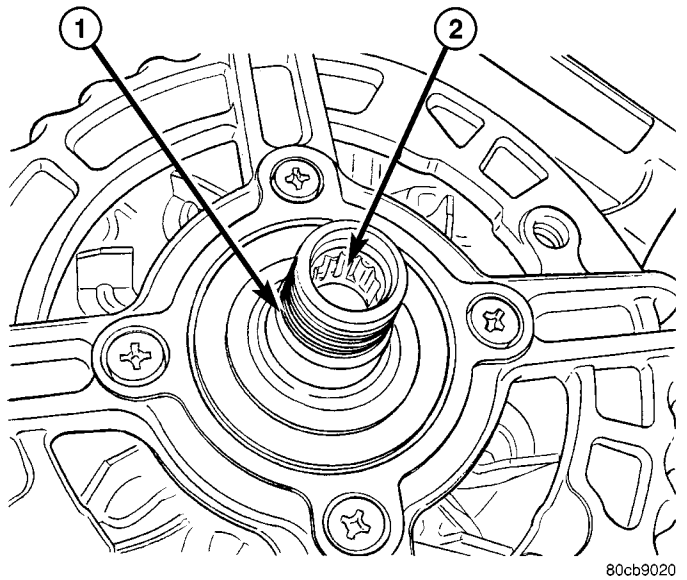


Fig. 7 END OF GENERATOR SHAFT (SPLINED)

- 1 - GENERATOR SHAFT
- 2 - SPLINES

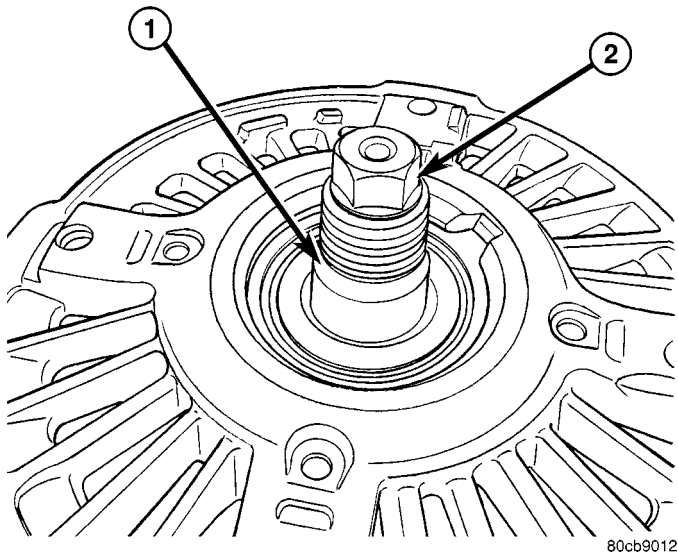


Fig. 6 END OF GENERATOR SHAFT (HEX)

- 1 - GENERATOR SHAFT
- 2 - HEX

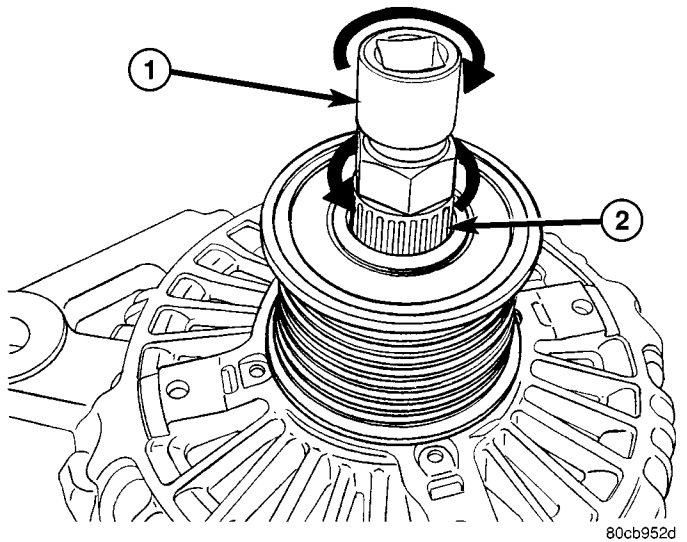


Fig. 8 DECOUPLER REMOVAL (INA-HEX)

- 1 - DEEP 10 MM SOCKET
- 2 - TOOL #8823 (VM.1048)

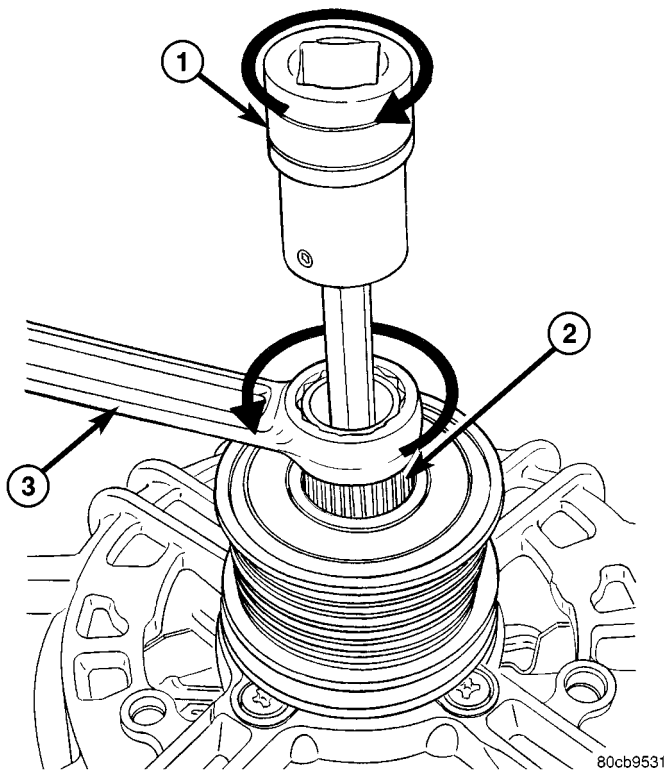
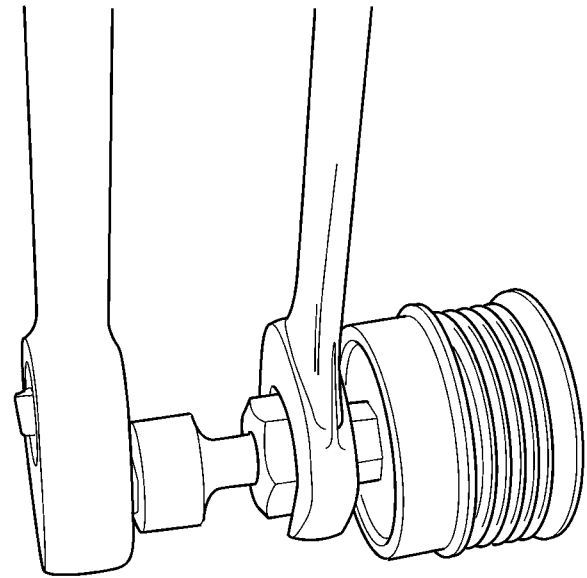


Fig. 9 DECOUPLER REMOVAL (INA-SPLINED)

- 1 - DRIVER
 2 - TOOL #8823 (VM.1048)
 3 - 17 MM WRENCH

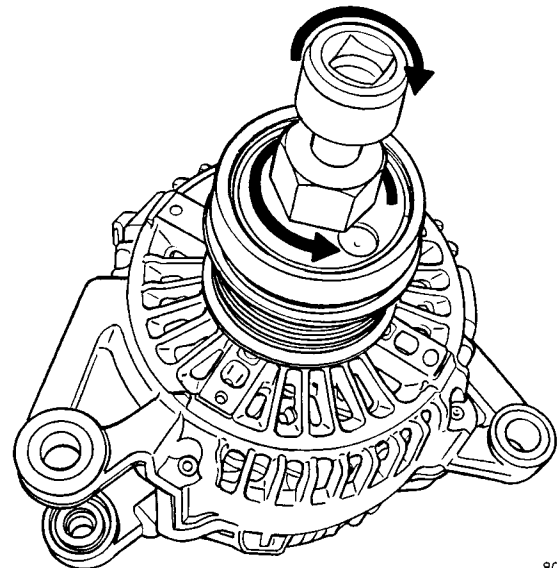
Litens Decoupler

- (1) Disconnect negative battery cable.
- (2) Remove generator and accessory drive belt. Refer to Generator Removal.
- (3) Position Special Tool #8433 (Fig. 10) into decoupler. Align to hex end of generator shaft.
- (4) The generator shaft uses conventional right-hand threads to attach decoupler. To break decoupler loose from generator threads, rotate end of tool clockwise (Fig. 11).
- (5) After breaking loose with tool, unthread decoupler by hand from generator.



80a9c046

Fig. 10 # 8433 TOOL AND LITENS DECOUPLER



80cabb87

Fig. 11 DECOUPLER REMOVAL (LITENS)

INSTALLATION

INA Decoupler

- (1) Thread decoupler pulley onto generator shaft by hand (right-hand threads).
- (2) Position Special Tool #8823 (VM.1048) into decoupler (Fig. 5).
- (3) Determine if end of generator shaft is hex shaped (Fig. 6) or is splined (Fig. 7). If hex is used, insert a 10MM deep socket into tool #8823 (VM.1048) (Fig. 12). If splined, insert a 5/16" 6-point hex driver, or a 10MM 12-point triple square driver into tool #8823 (VM.1048) (Fig. 13).

(4) Do not use an adjustable, ratcheting “click type” torque wrench. Most “click type” wrenches will only allow torque to be applied in a clockwise rotation. Use a dial-type or beam-type wrench. Tighten in counter-clockwise rotation (Fig. 12) or, (Fig. 13). Refer to torque specifications.

(5) Install accessory drive belt, and generator. Refer to Generator Installation.

(6) Connect negative battery cable.

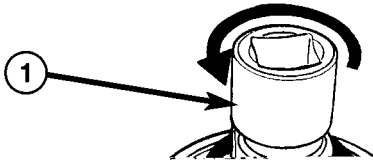


Fig. 12 DECOUPLER INSTALLATION (INA-HEX)

- 1 - 10MM DEEP SOCKET
- 2 - TOOL # 8823 (VM.1048)

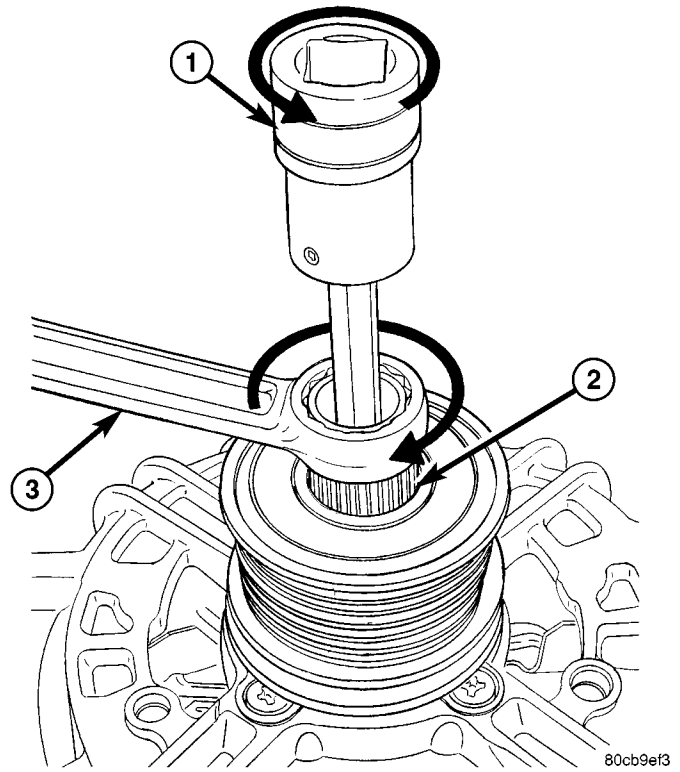


Fig. 13 DECOUPLER INSTALLATION (INA SPLINED)

- 1 - DRIVER
- 2 - TOOL # 8823 (VM.1048)
- 3 - BACKUP WRENCH

Litens Decoupler

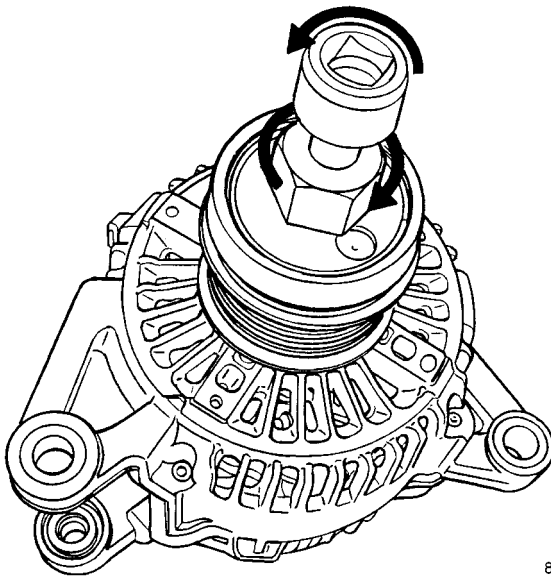
(1) Thread decoupler pulley onto generator shaft by hand (right-hand threads).

(2) Position Special Tool 8433 (Fig. 10) into decoupler. Align tool to hex end of generator shaft.

(3) Do not use an adjustable, ratcheting “click type” torque wrench. Most “click type” wrenches will only allow torque to be applied in a clockwise rotation. Use a dial-type or beam-type wrench. Tighten in counter-clockwise rotation (Fig. 14). Refer to torque specifications.

(4) Install accessory drive belt, and generator. Refer to Generator Installation.

(5) Connect negative battery cable.

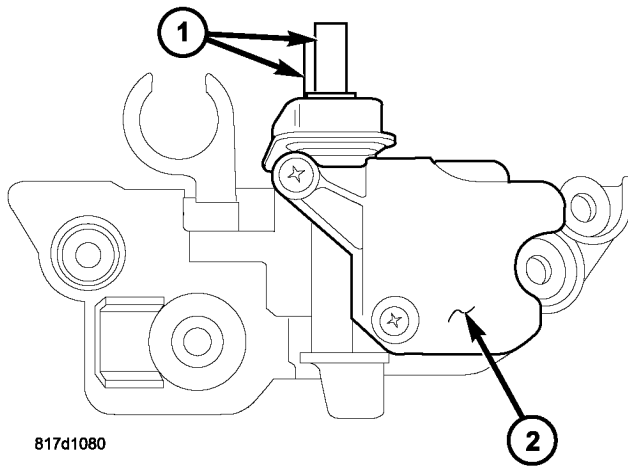


80cabf58

Fig. 14 DECOUPLER INSTALLATION (Litens)

VOLTAGE REGULATOR

DESCRIPTION



817d1080

Fig. 15 VOLTAGE REGULATOR

- 1 - Carbon Brushes
- 2 - Voltage Regulator

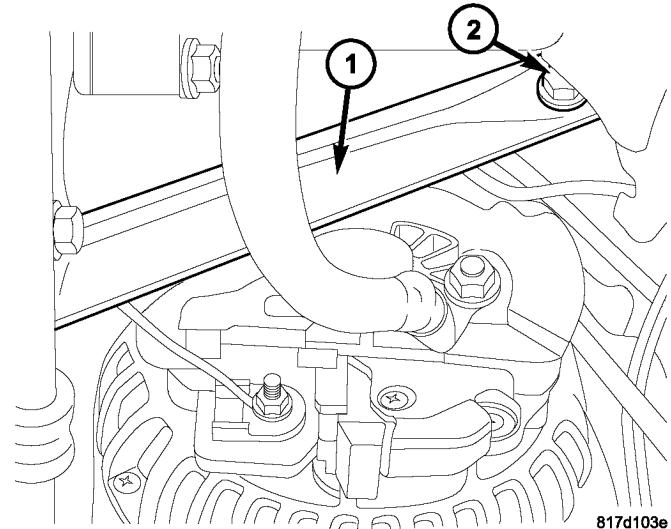
The electronic voltage regulator (1) (Fig. 15) is attached to the rear of the generator. The regulator may be serviced separately from the generator.

REMOVAL

CAUTION: DISCONNECT NEGATIVE CABLE FROM BATTERY BEFORE REMOVING BATTERY OUTPUT WIRE FROM GENERATOR. FAILURE TO DO SO CAN RESULT IN INJURY.

- (1) Disconnect and isolate negative battery cable.

- (2) Raise and support vehicle.

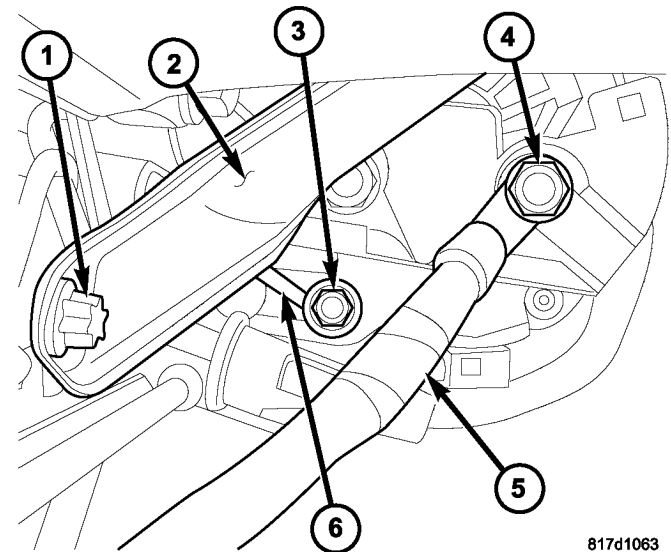


817d103e

Fig. 16 BRACE BOLT

- 1 - Turbocharger Brace
- 2 - Brace Bolt

- (3) Remove bolt (2) (Fig. 16) at turbocharger brace (1) (Fig. 16).



817d1063

Fig. 17 REAR OF GENERATOR

- 1 - Brace Bolt
- 2 - Brace
- 3 - Nut
- 4 - Nut
- 5 - Wire
- 6 - Wire

- (4) Loosen bolt (1) (Fig. 17) at brace (2) (Fig. 17). Swivel the race (2) to the side.

- (5) Remove + terminal nuts (3) and (4) (Fig. 17).
- (6) Remove wires (5) and (6) (Fig. 17).

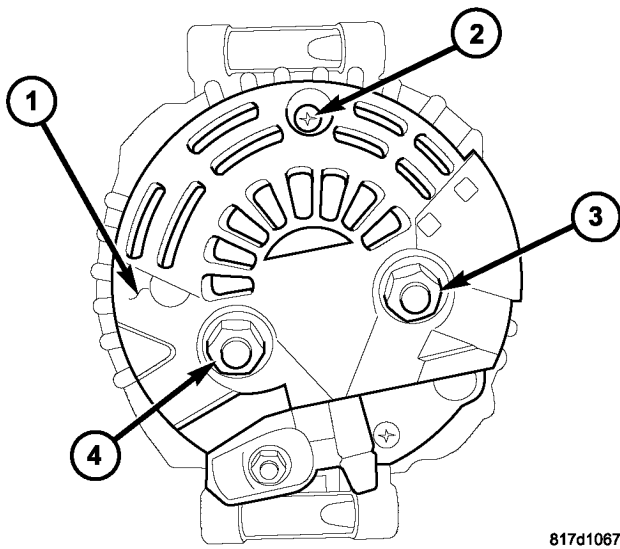


Fig. 18 PLASTIC COVER

- 1 - Plastic Cover
- 2 - Screw
- 3 - Nut
- 4 - Nut

(7) Remove plastic cover (1) (Fig. 18) by removing screw (2) and nuts (3) and (4).

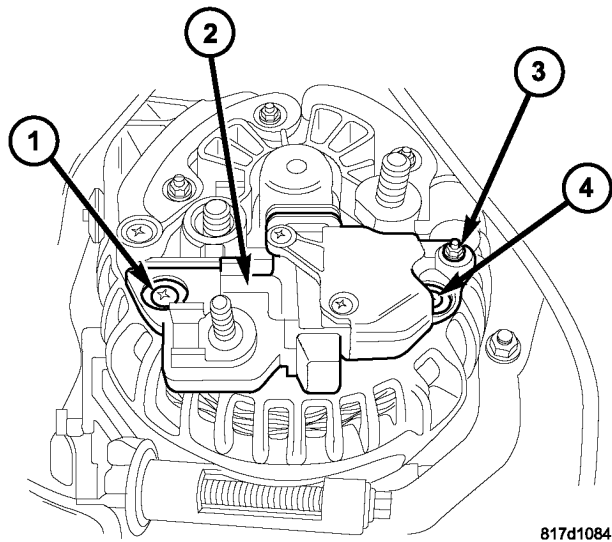


Fig. 19 MOUNTING BOLTS

- 1 - Screw
- 2 - Voltage Regulator
- 3 - Screw
- 4 - Screw

(8) Remove screws (1), (3), and (4) (Fig. 19).
 (9) Remove voltage regulator (2) (Fig. 19). **To prevent damage to the carbon brushes, slowly pull the voltage regulator straight out from generator without slanting or tipping.**

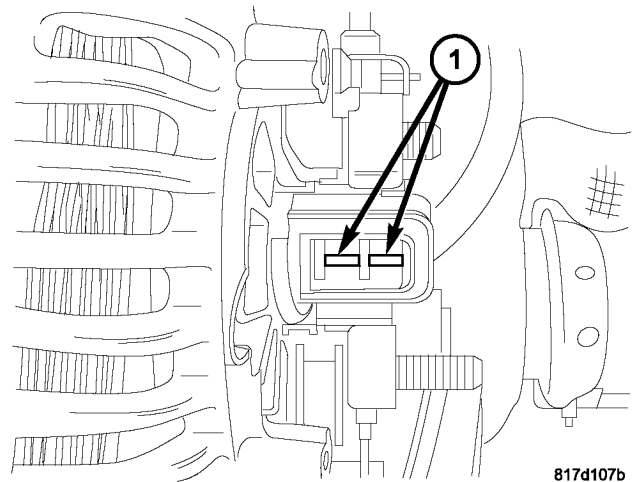


Fig. 20 COMMUTATOR RINGS

- 1 - Commutator Rings

(10) Check condition of commutator rings (1) (Fig. 20). If rings are worn, replace generator assembly.

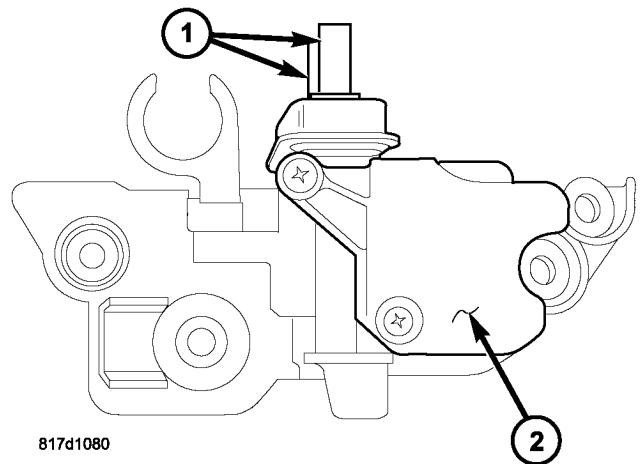
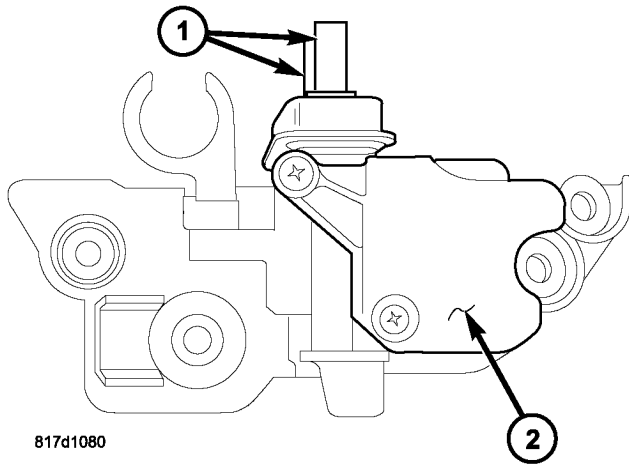


Fig. 21 VOLTAGE REGULATOR

- 1 - Carbon Brushes
- 2 - Voltage Regulator

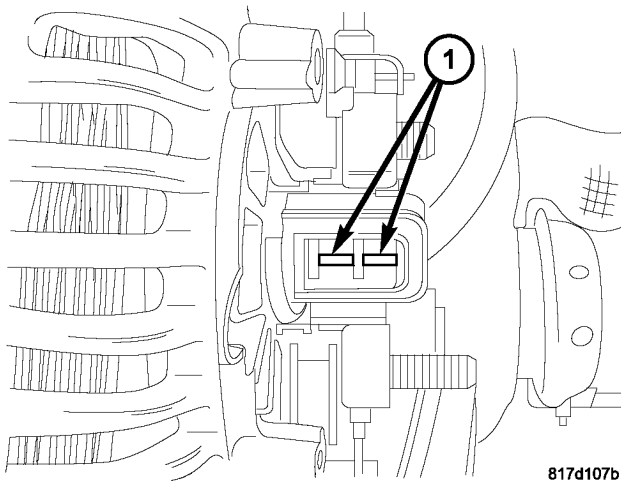
(11) Check condition of carbon brushes (1) (Fig. 21). If brushes are worn, replace generator assembly.

INSTALLATION

**Fig. 22 VOLTAGE REGULATOR**

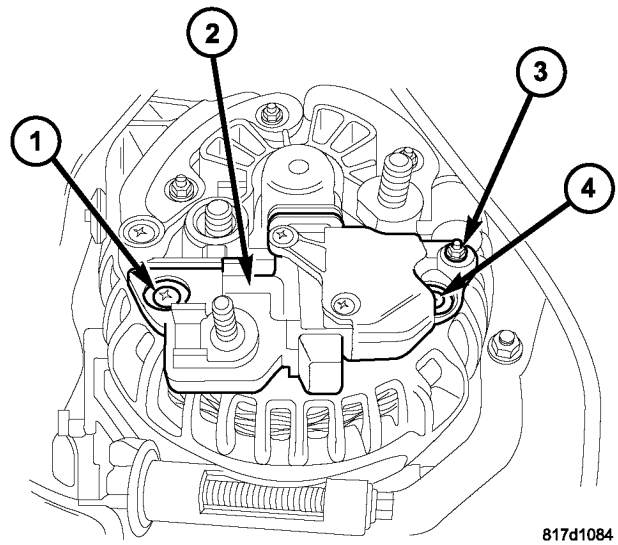
- 1 - Carbon Brushes
- 2 - Voltage Regulator

(1) Check condition of carbon brushes (1) (Fig. 22). If brushes are worn, replace generator assembly.

**Fig. 23 COMMUTATOR RINGS**

- 1 - Commutator Rings

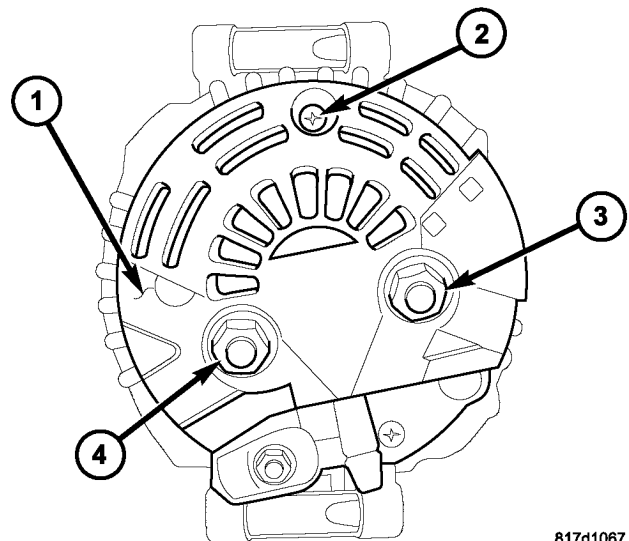
(2) Check condition of commutator rings (1) (Fig. 23). If rings are worn, replace generator assembly.

**Fig. 24 MOUNTING BOLTS**

- 1 - Screw
- 2 - Voltage Regulator
- 3 - Screw
- 4 - Screw

(3) Position voltage regulator (2) (Fig. 24) to rear of generator. **To prevent damage to the carbon brushes (1) (Fig. 22), slowly install the voltage regulator straight into the generator without slanting or tipping.**

(4) Install screws (1), (3), and (4) (Fig. 24).

**Fig. 25 PLASTIC COVER**

- 1 - Plastic Cover
- 2 - Screw
- 3 - Nut
- 4 - Nut

(5) Install plastic cover (1) (Fig. 25), screw (2) and nuts (3) and (4).

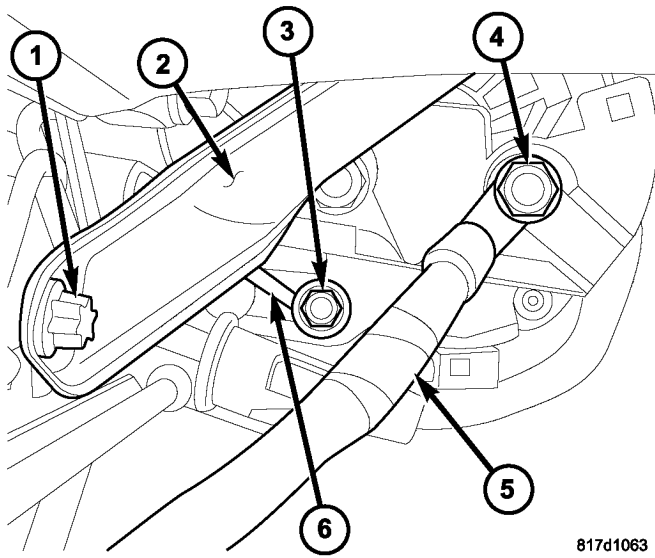


Fig. 26 REAR OF GENERATOR

- 1 - Brace Bolt
- 2 - Brace
- 3 - Nut
- 4 - Nut
- 5 - Wire
- 6 - Wire

(6) Position wire eyelets (5) and (6) (Fig. 26) to generator studs.

(7) Install + terminal nuts (3) and (4) (Fig. 26). Tighten + nut (4) to 18 N·m (159 in. lbs.). Tighten + nut (3) to 5 N·m (44 in. lbs.).

(8) Install turbocharger brace bolt (1) (Fig. 26) at brace (2) (Fig. 26). Tighten bolt (1) to 20 N·m (15 ft. lbs.).

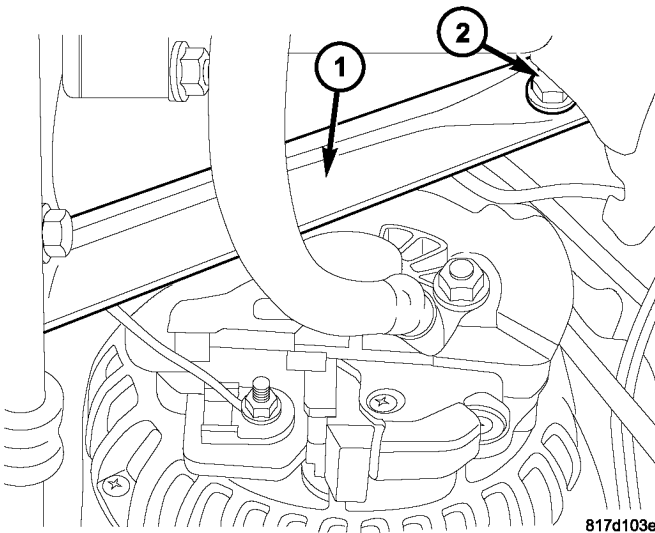


Fig. 27 BRACE BOLT

- 1 - Turbocharger Brace
- 2 - Brace Bolt

(9) Install bolt (2) (Fig. 27) at turbocharger brace (1) (Fig. 27). Tighten bolt (2) to 30 N·m (22 ft. lbs.).

- (10) Lower vehicle.
- (11) Connect negative battery cable.
- (12) Check charging system for proper operation.

STARTING SYSTEM

TABLE OF CONTENTS

	page		page
STARTING SYSTEM		STARTER MOTOR	
DESCRIPTION	28	DIAGNOSIS AND TESTING - STARTER	
OPERATION	28	MOTOR	33
DIAGNOSIS AND TESTING - STARTING		REMOVAL	34
SYSTEM	29	INSTALLATION	35
SPECIFICATIONS		STARTER MOTOR RELAY	
TORQUE - STARTER - DIESEL	33	DESCRIPTION	35
SPECIFICATIONS - STARTER MOTOR -		REMOVAL	35
DIESEL	33	INSTALLATION	36

STARTING SYSTEM

DESCRIPTION

The starting system consists of:

- Starter relay
- Starter motor (including an integral starter solenoid)

Other components to be considered as part of starting system are:

- Battery
- Battery cables
- Ignition switch and key lock cylinder
- Park/neutral position switch (automatic transmission)
- Wire harnesses and connections.

The Battery, Starting, and Charging systems operate in conjunction with one another, and must be tested as a complete system. For correct operation of starting/charging systems, all components used in these 3 systems must perform within specifications. When attempting to diagnose any of these systems, it is important that you keep their interdependency in mind.

The diagnostic procedures used in each of these groups include the most basic conventional diagnostic methods, to the more sophisticated On-Board Diagnostics (OBD) built into the Engine Control Module (ECM). Use of an induction-type milliammeter, volt/ohmmeter, battery charger, carbon pile rheostat (load tester), and 12-volt test lamp may be required.

Certain starting system components are monitored by the ECM and may produce a Diagnostic Trouble Code (DTC).

OPERATION

The starting system components form two separate circuits. A high-amperage feed circuit that feeds the starter motor high-amperage, and a low-amperage

control circuit that operates on less than 20 amperes. The high-amperage feed circuit components include the battery, the battery cables, the contact disc portion of the starter solenoid, and the starter motor itself. The low-amperage control circuit components include the ignition switch, the park/neutral position switch (automatic transmission), the starter relay, the electromagnetic windings of the starter solenoid, and the connecting wire harness components.

If the vehicle is equipped with an automatic transmission, battery voltage is supplied through the low-amperage control circuit to the coil battery terminal of the starter relay when the ignition switch is turned to the momentary Start position. The park/neutral position switch is installed in series between the starter relay coil ground terminal and ground. This normally open switch prevents the starter relay from being energized and the starter motor from operating unless the automatic transmission gear selector is in the Neutral or Park positions.

When the starter relay coil is energized, the normally open relay contacts close. The relay contacts connect the relay common feed terminal to the relay normally open terminal. The closed relay contacts energize the starter solenoid coil windings.

The energized solenoid pull-in coil pulls in the solenoid plunger. The solenoid plunger pulls the shift lever in the starter motor. This engages the starter overrunning clutch and pinion gear with the starter ring gear on the manual transmission flywheel or on the automatic transmission torque converter or torque converter drive plate.

As the solenoid plunger reaches the end of its travel, the solenoid contact disc completes the high-amperage starter feed circuit and energizes the solenoid plunger hold-in coil. Current now flows between the solenoid battery terminal and the starter motor, energizing the starter.

Once the engine starts, the overrunning clutch protects the starter motor from damage by allowing the

starter pinion gear to spin faster than the pinion shaft. When the driver releases the ignition switch to the On position, the starter relay coil is de-energized. This causes the relay contacts to open. When the relay contacts open, the starter solenoid plunger hold-in coil is de-energized.

When the solenoid plunger hold-in coil is de-energized, the solenoid plunger return spring returns the plunger to its relaxed position. This causes the contact disc to open the starter feed circuit, and the shift lever to disengage the overrunning clutch and pinion gear from the starter ring gear.

DIAGNOSIS AND TESTING - STARTING SYSTEM

The battery, starting, and charging systems operate in conjunction with one another, and must be tested as a complete system. For correct starting/charging system operation, all of the components involved in these 3 systems must perform within specifications.

Starting System Diagnosis		
CONDITION	POSSIBLE CAUSE	CORRECTION
STARTER FAILS TO OPERATE.	1. Battery discharged or faulty.	1. Refer to Battery. Charge or replace battery, if required.
	2. Starting circuit wiring faulty.	2. Refer to 8, Wiring Diagrams. Test and repair starter feed and/or control circuits, if required.
	3. Starter relay faulty.	3. Refer to Starter Relay in Diagnosis and Testing. Replace starter relay if required.
	4. Ignition switch faulty.	4. Refer to Ignition Switch and Key Lock Cylinder. Replace ignition switch if required.
	5. Clutch pedal position switch faulty.	5. Refer to Clutch Pedal Position Switch.
	6. Park/Neutral position switch faulty or misadjusted.	6. Refer to Park/Neutral Position Switch. Replace park/neutral position switch if required.
	7. Starter solenoid faulty.	7. Refer to Starter Motor. Replace starter motor assembly if required.
	8. Starter motor faulty.	8. If all other starting system components and circuits test OK, replace starter motor.
STARTER ENGAGES, FAILS TO TURN ENGINE.	1. Battery discharged or faulty.	1. Refer to Battery. Charge or replace battery if required.
	2. Starting circuit wiring faulty.	2. Refer to 8, Wiring Diagrams. Test and repair starter feed and/or control circuits if required.
	3. Starter motor faulty.	3. If all other starting system components and circuits test OK, replace starter motor assembly.
	4. Engine seized.	4. Refer to Engine Diagnosis in the Diagnosis and Testing section of 9, Engine.
STARTER ENGAGES, SPINS OUT BEFORE ENGINE STARTS.	1. Starter ring gear faulty.	1. Refer to Starter Motor Removal and Installation. Remove starter motor to inspect starter ring gear. Replace starter ring gear if required.
	2. Starter motor faulty.	2. If all other starting system components and circuits test OK, replace starter motor assembly.

Starting System Diagnosis		
CONDITION	POSSIBLE CAUSE	CORRECTION
STARTER DOES NOT DISENGAGE.	1. Starter motor improperly installed.	1. Refer to Starter Motor Removal and Installation. Tighten starter mounting hardware to correct torque specifications.
	2. Starter relay faulty.	2. Refer to Starter Relay Diagnosis and Testing. Replace starter relay if required.
	3. Ignition switch faulty.	3. Refer to Ignition Switch and Key Lock Cylinder. Replace ignition switch if required.
	4. Starter motor faulty.	4. If all other starting system components and circuits test OK, replace starter motor.

INSPECTION

For complete starter wiring circuit diagrams, refer to 8, Wiring Diagrams. Before removing any unit from starting system for repair or diagnosis, perform the following inspections:

WARNING: ON VEHICLES EQUIPPED WITH AIR-BAGS, REFER TO 8, PASSIVE RESTRAINT SYSTEMS, BEFORE ATTEMPTING ANY STEERING WHEEL, STEERING COLUMN, OR INSTRUMENT PANEL COMPONENT DIAGNOSIS OR SERVICE. FAILURE TO TAKE THE PROPER PRECAUTIONS COULD RESULT IN ACCIDENTAL AIRBAG DEPLOYMENT AND POSSIBLE PERSONAL INJURY.

- **Battery** - Visually inspect battery for indications of physical damage and loose or corroded cable connections. Determine state-of-charge and cranking capacity of battery. Charge or replace battery if required. Refer to **Battery** in 8, Battery.

- **Ignition Switch** - Visually inspect ignition switch for indications of physical damage and loose or corroded wire harness connections. Refer to **Ignition Switch and Key Lock Cylinder**.

- **Park/Neutral Position Switch** - Visually inspect park/neutral position switch for indications of physical damage and loose or corroded wire harness connections. Refer to **Park/Neutral Position Switch** in 21, Transmission.

- **Starter Relay** - Visually inspect starter relay for indications of physical damage and loose or corroded wire harness connections.

- **Starter Motor** - Visually inspect starter motor for indications of physical damage and loose or corroded wire harness connections.

- **Starter Solenoid** - Visually inspect starter solenoid for indications of physical damage and loose or corroded wire harness connections.

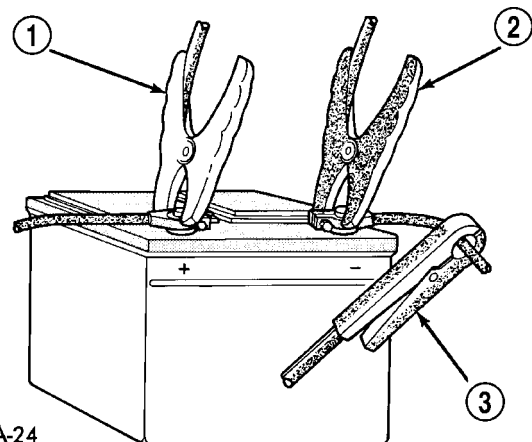
- **Wiring** - Visually inspect wire harnesses for damage or corrosion. Repair or replace any faulty wiring, as required. Refer to 8, Wiring Diagrams.

TESTING

COLD CRANKING TEST

For complete starter wiring circuit diagrams, refer to 8, Wiring Diagrams. The battery must be fully-charged and load-tested before proceeding. Refer to **Battery** in 8, Battery.

(1) Connect volt-ampere tester to battery terminals (Fig. 1). See instructions provided by manufacturer of volt-ampere tester being used.



948A-24

Fig. 1 VOLTS-AMPS TESTER CONNECTIONS - TYPICAL

- 1 - POSITIVE CLAMP
- 2 - NEGATIVE CLAMP
- 3 - INDUCTION AMMETER CLAMP

(2) Fully engage parking brake.
 (3) Place gearshift selector lever in Park position.
 (4) Verify that all lamps and accessories are turned off.

(5) To prevent engine from starting, remove Fuel Pump Relay. This relay is located in Power Distribution Center (PDC). Refer to label on PDC cover for relay location.

WARNING: IF EQUIPPED WITH DIESEL ENGINE, ATTEMPT TO START ENGINE A FEW TIMES BEFORE PROCEEDING WITH FOLLOWING STEP.

(6) Rotate and hold ignition switch in Start position. Note cranking voltage and current (amperage) draw readings shown on volt-ampere tester.

(a) If voltage reads below 9.6 volts, refer to **Starter Motor** in Diagnosis and Testing. If starter motor is OK, refer to **Engine Diagnosis** in 9, Engine for further testing of engine. If starter motor is not OK, replace faulty starter motor.

(b) If voltage reads above 9.6 volts and current (amperage) draw reads below specifications, refer to **Feed Circuit Test** in this section.

(c) If voltage reads 12.5 volts or greater and starter motor does not turn, refer to **Control Circuit Testing** in this section.

(d) If voltage reads 12.5 volts or greater and starter motor turns very slowly, refer to **Feed Circuit Test** in this section.

NOTE: A cold engine will increase starter current (amperage) draw reading, and reduce battery voltage reading.

FEED CIRCUIT TEST

The starter feed circuit test (voltage drop method) will determine if there is excessive resistance in high-amperage feed circuit. For complete starter wiring circuit diagrams, refer 8, Wiring Diagrams.

When performing these tests, it is important to remember that voltage drop is giving an indication of resistance between two points at which voltmeter probes are attached.

Example: When testing resistance of positive battery cable, touch voltmeter leads to positive battery cable clamp and cable connector at starter solenoid. If you probe positive battery terminal post and cable connector at starter solenoid, you are reading combined voltage drop in positive battery cable clamp-to-terminal post connection and positive battery cable.

The following operation will require a voltmeter accurate to 1/10 (0.10) volt. Before performing tests, be certain that following procedures are accomplished:

- Battery is fully-charged and load-tested. Refer to **Battery** in 8, Battery.
- Fully engage parking brake.
- Place gearshift selector lever in Park position.
- Verify that all lamps and accessories are turned off.
- To prevent engine from starting, remove Fuel Pump Relay. This relay is located in Power Distribution Center (PDC). Refer to label on PDC cover for relay location.

(1) Connect positive lead of voltmeter to negative battery cable terminal post. Connect negative lead of voltmeter to negative battery cable clamp (Fig. 2). Rotate and hold ignition switch in Start position. Observe voltmeter. If voltage is detected, correct poor

contact between cable clamp and terminal post.

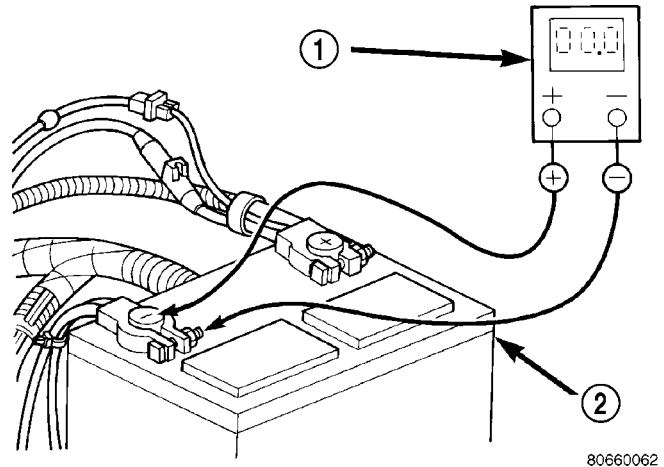


Fig. 2 TEST NEGATIVE BATTERY CABLE CONNECTION RESISTANCE - TYPICAL

1 - VOLTMETER
2 - BATTERY

(2) Connect positive lead of voltmeter to positive battery terminal post. Connect negative lead of voltmeter to battery positive cable clamp (Fig. 3). Rotate and hold ignition switch in Start position. Observe voltmeter. If voltage is detected, correct poor contact between cable clamp and terminal post.

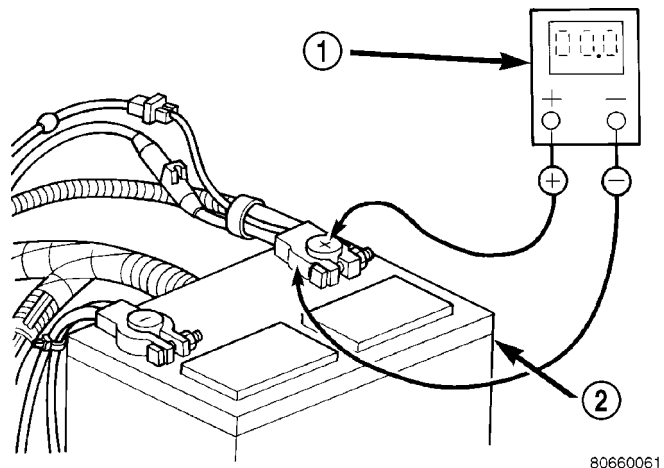


Fig. 3 TEST POSITIVE BATTERY CABLE CONNECTION RESISTANCE - TYPICAL

1 - VOLTMETER
2 - BATTERY

(3) Connect voltmeter to measure between battery positive terminal post and starter solenoid battery terminal stud (Fig. 4). Rotate and hold ignition switch in Start position. Observe voltmeter. If reading is above 0.2 volt, clean and tighten battery cable connection at solenoid. Repeat test. If reading is still above 0.2 volt, replace faulty positive battery cable.

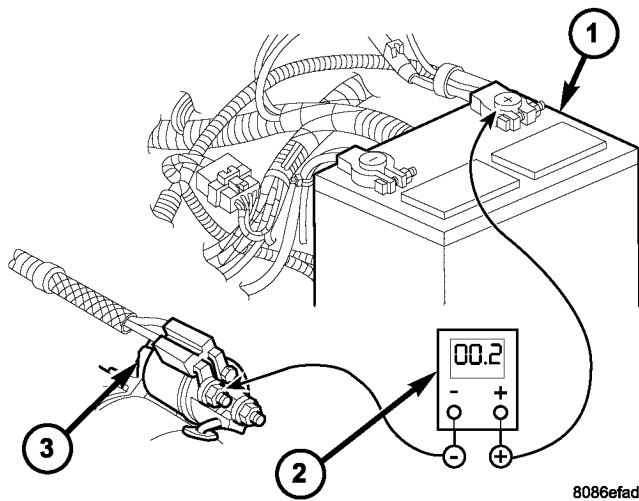


Fig. 4 TEST POSITIVE BATTERY CABLE

- 1 - BATTERY
- 2 - VOLTMETER
- 3 - STARTER MOTOR

(4) Connect voltmeter to measure between negative battery terminal post and a good clean ground on engine block (Fig. 5). Rotate and hold ignition switch in Start position. Observe voltmeter. If reading is above 0.2 volt, clean and tighten negative battery cable attachment on engine block. Repeat test. If reading is still above 0.2 volt, replace faulty negative battery cable.

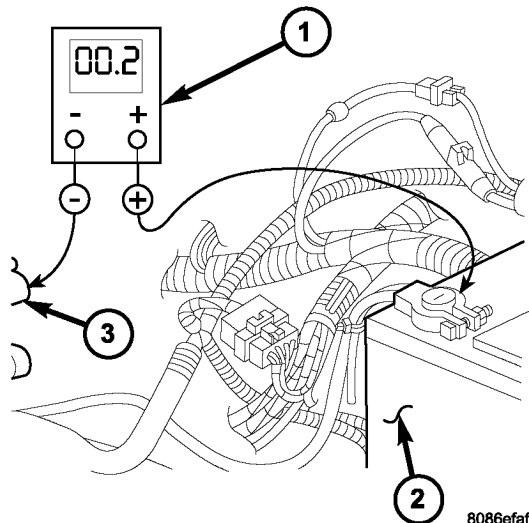


Fig. 5 TEST GROUND CIRCUIT RESISTANCE - TYPICAL

- 1 - VOLTMETER
- 2 - BATTERY
- 3 - ENGINE GROUND

(5) Connect positive lead of voltmeter to starter housing. Connect negative lead of voltmeter to negative battery terminal post (Fig. 6). Rotate and hold ignition switch in Start position. Observe voltmeter. If reading is above 0.2 volt, correct poor starter to engine block ground contact.

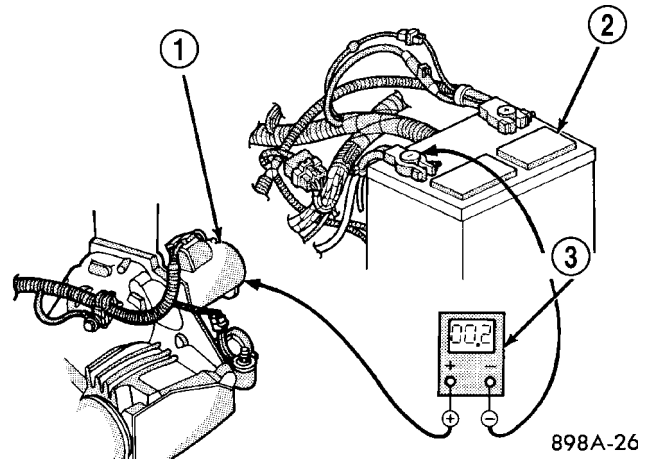


Fig. 6 TEST STARTER GROUND - TYPICAL

- 1 - STARTER MOTOR
- 2 - BATTERY
- 3 - VOLTMETER

If resistance tests detect no feed circuit problems, refer to **Starter Motor** in the Diagnosis and Testing.

CONTROL CIRCUIT TESTING

The starter control circuit components should be tested in the order in which they are listed, as follows:

- **Starter Relay** - Refer to **Starter Relay** Diagnosis and Testing.
- **Starter Solenoid** - Refer to **Starter Motor** Diagnosis and Testing.
- **Ignition Switch** - Refer to **Ignition Switch and Key Lock Cylinder**
- **Park/Neutral Position Switch** - If equipped with automatic transmission, refer to **Park/Neutral Position Switch** in 21, Transmission.
- **Wire harnesses and connections** - Refer to 8, Wiring Diagrams.

SPECIFICATIONS

TORQUE - STARTER - DIESEL

DESCRIPTION	N-m	Ft. Lbs.	In. Lbs.
Battery Cable Nut at Starter Solenoid (larger nut)	14	-	124
Starter Mounting Bolts	40	30	-
Starter Solenoid (smaller nut)	6	-	52

SPECIFICATIONS - STARTER MOTOR - DIESEL

ITEM	SPECIFICATION
ENGINE	2.7L TURBO DIESEL
RATED VOLTAGE	12 VOLTS
NUMBER OF FIELDS	4
NUMBER OF POLES	4
NUMBER OF BRUSHES	4
DRIVE TYPE	GEAR REDUCTION
FREE RUNNING TEST VOLTAGE	11.5 VOLTS
FREE RUNNING TEST MAXIMUM AMPERAGE DRAW	160 AMPS
FREE RUNNING TEST MINIMUM SPEED	5500 RPM
SOLENOID CLOSING MAXIMUM VOLTAGE	7.8 VOLTS
MAXIMUM CRANKING AMPERAGE DRAW	* 500 AMPS

* A COLD OR NEW ENGINE WILL INCREASE STARTER AMPERAGE DRAW. THE USE OF HEAVY WEIGHT ENGINE OIL WILL ALSO INCREASE STARTER AMPERAGE DRAW.

STARTER MOTOR

DIAGNOSIS AND TESTING - STARTER MOTOR

Correct starter motor operation can be confirmed by performing the following free running bench test. This test can only be performed with starter motor removed from vehicle. Refer to Starter Specifications for specifications.

(1) Remove starter motor from vehicle. Refer to Starter Motor Removal and Installation.

(2) Mount starter motor securely in a soft-jawed bench vise. The vise jaws should be clamped on the mounting flange of starter motor. Never clamp on starter motor by field frame.

(3) Connect a suitable volt-ampere tester and a 12-volt battery to starter motor in series, and set ammeter to 100 ampere scale. See instructions provided by manufacturer of volt-ampere tester being used.

(4) Install jumper wire from solenoid terminal to solenoid battery terminal. The starter motor should

operate. If starter motor fails to operate, replace faulty starter motor assembly.

(5) Adjust carbon pile load of tester to obtain free running test voltage. Refer to Specifications for starter motor free running test voltage specifications.

(6) Note reading on ammeter and compare reading to free running test maximum amperage draw. Refer to Specifications for starter motor free running test maximum amperage draw specifications.

(7) If ammeter reading exceeds maximum amperage draw specification, replace faulty starter motor assembly.

STARTER SOLENOID

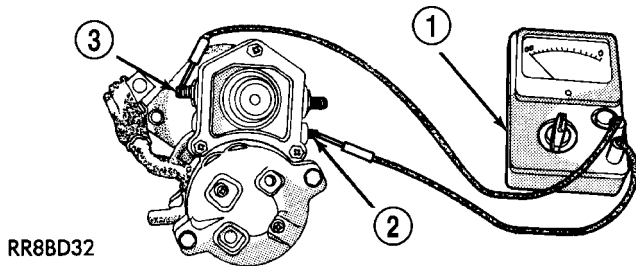
This test can only be performed with starter motor removed from vehicle.

(1) Remove starter motor from vehicle. Refer to Starter Motor Removal and Installation.

(2) Disconnect wire from solenoid field coil terminal.

(3) Check for continuity between solenoid terminal and solenoid field coil terminal with a continuity

tester (Fig. 7). There should be continuity. If OK, go to Step 4. If not OK, replace faulty starter motor assembly.

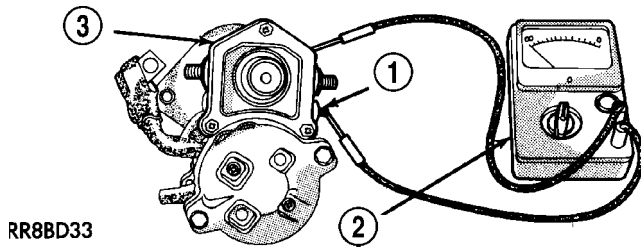


RR8BD32

Fig. 7 CONTINUITY BETWEEN SOLENOID AND FIELD COIL TERMINALS - TYPICAL

- 1 - OHMMETER
- 2 - SOLENOID TERMINAL
- 3 - FIELD COIL TERMINAL

(4) Check for continuity between solenoid terminal and solenoid case (Fig. 8). There should be continuity. If not OK, replace faulty starter motor assembly.



RR8BD33

Fig. 8 CONTINUITY BETWEEN SOLENOID TERMINAL AND CASE - TYPICAL

- 1 - SOLENOID TERMINAL
- 2 - OHMMETER
- 3 - SOLENOID

REMOVAL

The starter motor and solenoid assembly is located at the left/rear side of engine (Fig. 9).

(1) Disconnect and isolate negative battery cable.

(2) Working from under vehicle hood, remove bolt retaining wiring trough (Fig. 11) to transmission bellhousing.

(3) Working from under vehicle hood, cut necessary nylon; wiring trough tie-wraps near starter motor. Temporarily position wiring harness trough for access to starter.

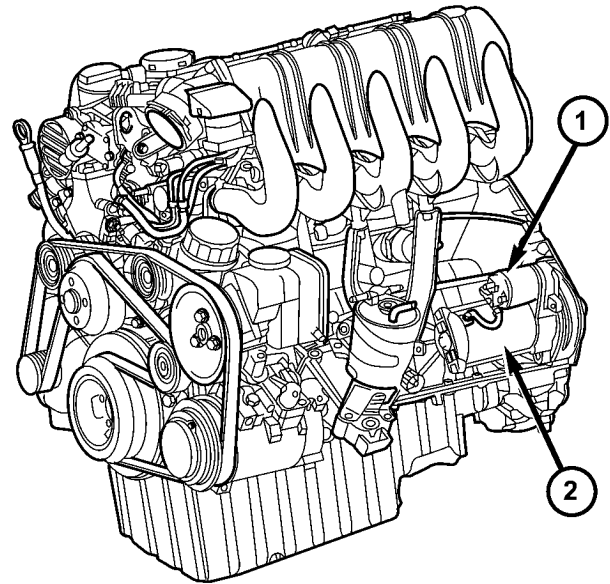
(4) Working from under vehicle hood, remove 2 starter solenoid wiring harness nuts (Fig. 10).

(5) Remove solenoid wire connector from solenoid stud, and battery cable from solenoid stud.

(6) Raise and support vehicle.

(7) Remove 2 starter mounting bolts (E14Torx) (Fig. 10).

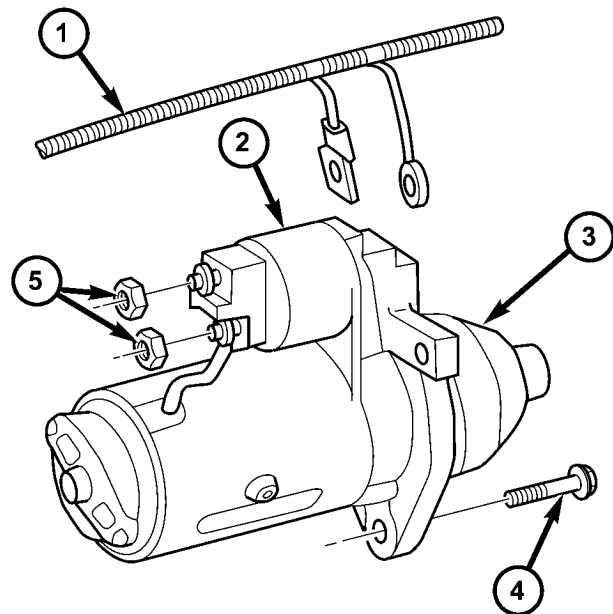
(8) Remove starter from transmission bellhousing.



810ed2ef

Fig. 9 STARTER AND SOLENOID LOCATION

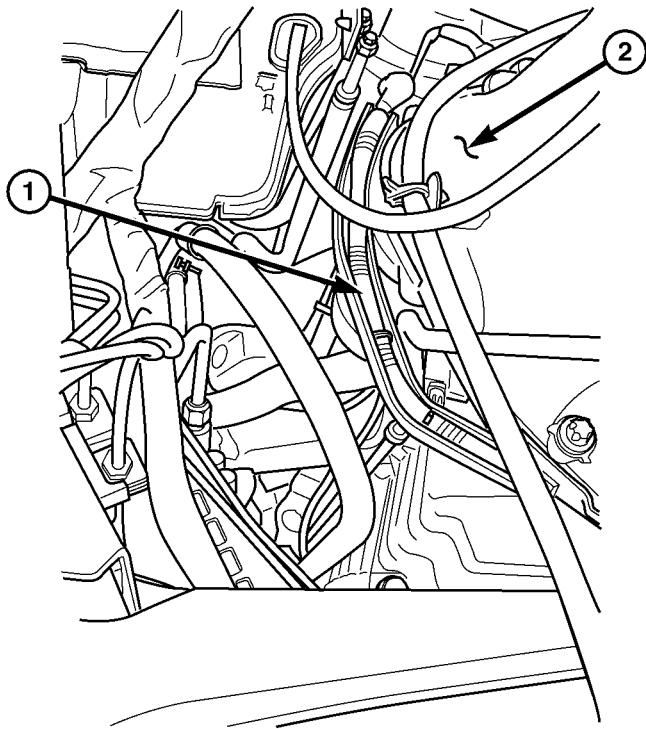
- 1 - STARTER SOLENOID LOCATION
- 2 - STARTER MOTOR LOCATION



810ed2fc

Fig. 10 STARTER REMOVAL/INSTALLATION

- 1 - WIRING HARNESS
- 2 - STARTER SOLENOID
- 3 - STARTER MOTOR
- 4 - MOUNTING BOLTS (2)
- 5 - SOLENOID NUTS (2)



810c2a05

Fig. 11 WIRING TROUGH - FOR STARTER REMOVAL (VIEW FROM REAR)

- 1 - WIRING TROUGH
- 2 - REAR/LEFT END OF TRANS. BELLHOUSING (VIEW FROM REAR)

INSTALLATION

- (1) Raise and support vehicle.
- (2) Position starter motor to transmission housing.
- (3) Install 2 mounting bolts. Refer to Torque Specifications.
- (4) Lower vehicle.
- (5) Connect battery cable and solenoid wiring to solenoid (2 nuts). Refer to Torque Specifications.
- (6) Position wiring harness trough and install retaining bolt.
- (7) Install new nylon tie-wraps to wiring trough.
- (8) Connect negative battery cable.

STARTER MOTOR RELAY

DESCRIPTION

The starter relay is an electromechanical device that switches battery current to the pull-in coil of the starter solenoid when ignition switch is turned to Start position. The starter relay is located in the Fuse/Relay Block. The Fuse/Relay Block is located under, and to the left side of the drivers seat. See Fuse/Relay Block cover for relay identification and location.

The starter relay is an International Standards Organization (ISO) relay. Relays conforming to ISO specifications have common physical dimensions, cur-

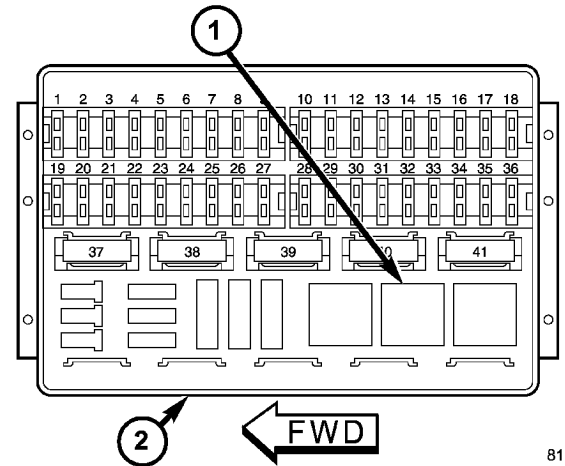
rent capacities, terminal patterns, and terminal functions.

The starter relay cannot be repaired or adjusted and, if faulty or damaged, it must be replaced.

REMOVAL

The starter relay is located in the Fuse/Relay Block. The Fuse/Relay Block is located under, and to the left side of the drivers seat. See Fuse/Relay Block cover for relay identification and location, or refer to (Fig. 12).

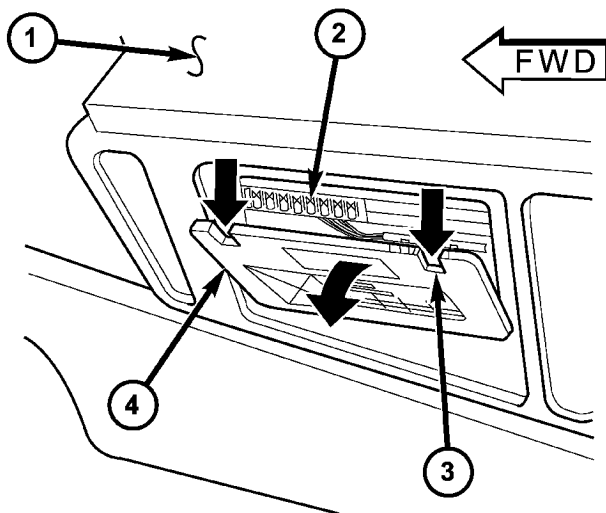
- (1) Remove Fuse/Relay Block cover by pushing down on two tabs located at top of cover (Fig. 13).
- (2) Remove relay from Fuse/Relay Block.
- (3) Check condition of relay terminals and Fuse/Relay Block connector terminals for damage or corrosion. Repair if necessary before installing relay.
- (4) Check for pin height (pin height should be the same for all terminals within the Fuse/Relay Block connector). Repair if necessary before installing relay.



810f2b21

Fig. 12 FUSE / RELAY BLOCK

- 1 - STARTER RELAY LOCATION
- 2 - FUSE / RELAY BLOCK



810f2b25

Fig. 13 FUSE / RELAY BLOCK COVER

- 1 - LEFT SIDE OF DRIVERS SEAT
- 2 - FUSE / RELAY BLOCK
- 3 - RELEASE TABS (2)
- 4 - COVER (ACCESS PANEL)

INSTALLATION

The starter relay is located in the Fuse/Relay Block. The Fuse/Relay Block is located under, and to the left side of the drivers seat. See Fuse/Relay Block cover for relay identification and location, or refer to (Fig. 12).

- (1) Install relay into Fuse/Relay Block.
- (2) Install cover to side of Fuse/Relay Block (snaps on).

HEATED SYSTEMS

TABLE OF CONTENTS

	page		page
HEATED GLASS	1	HEATED SEATS	10
HEATED MIRRORS	9		

HEATED GLASS

TABLE OF CONTENTS

	page		page
HEATED GLASS		REAR WINDOW DEFOGGER SWITCH	
DESCRIPTION	1	DESCRIPTION	4
OPERATION	1	OPERATION	4
DIAGNOSIS AND TESTING		DIAGNOSIS AND TESTING	
ELECTRIC BACKLIGHT (EBL) SYSTEM	2	REAR WINDOW DEFOGGER SWITCH	5
REAR WINDOW DEFOGGER RELAY		REMOVAL	6
DESCRIPTION	3	INSTALLATION	6
OPERATION	3	REAR WINDOW DEFOGGER GRID	
REMOVAL	4	STANDARD PROCEDURE	
INSTALLATION	4	GRID LINE AND TERMINAL REPAIR	7

HEATED GLASS

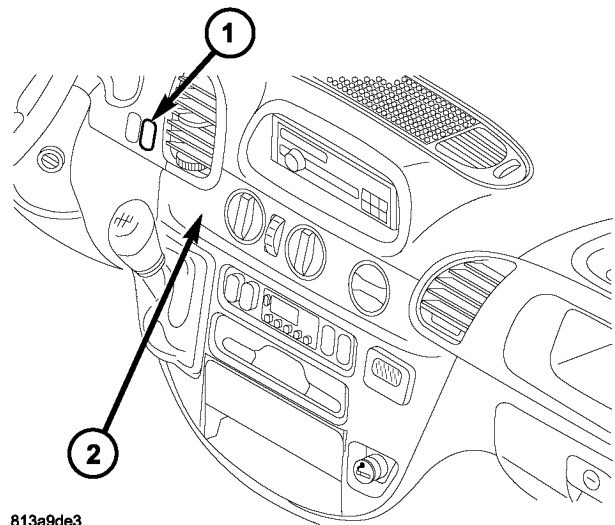
DESCRIPTION

CAUTION: Grid lines can be damaged or scraped off with sharp instruments. Care should be taken in cleaning glass or removing foreign materials, decals or stickers. Normal glass cleaning solvents or hot water used with rags or toweling is recommended.

The rear window defogger system, also known as the electric backlight (EBL), consists of a backglass with two vertical bus bars linked by a series of grid lines fired onto the inside surface of the rear window.

The EBL system is turned On or Off by a control switch (Fig. 1) located in the instrument panel near the right side of the steering wheel, which sends a request signal to the rear window defogger module that operates the left and right rear window defogger relays located in the fuse/relay block under the driver's seat.

Circuit protection is provided by a 30 amp fuse also located in the fuse/relay block.



813a9de3

Fig. 1 Rear Window Defogger Switch

- 1 - REAR WINDOW DEFOGGER SWITCH
- 2 - INSTRUMENT PANEL

OPERATION

When the rear window defogger switch is pressed to the On position, current is directed through the switch to the rear window defogger module. The rear window defogger module then grounds the control side of the left and right rear window defogger (EBL)

relays which allows battery current to flow to the rear window defogger grid lines. The heated grid lines heat the rear glass to help clear the rear window surfaces of fog or frost.

The electric backlight (EBL) system is controlled by the EBL timing circuitry, which is integral to the rear window defogger module. A yellow indicator in the switch will illuminate to indicate when the EBL system is turned on.

NOTE: The EBL system turns off automatically after approximately 10 minutes of initial operation. Each following activation cycle of the EBL system will last approximately five minutes.

The EBL system will be automatically turned off after a programmed time interval of about ten minutes. After the initial time interval has expired, if the rear window defogger switch is pressed to the On position again during the same ignition cycle, the EBL system will automatically turn off after about five minutes.

The EBL system will automatically shut off if the ignition switch is turned to the Off position, or it can be turned off manually by pressing the defogger switch a second time.

DIAGNOSIS AND TESTING

ELECTRIC BACKLIGHT (EBL) SYSTEM

NOTE: Illumination of the defogger switch indicator lamp means that there is electrical current available at the output of the rear window defogger logic circuitry, but does not confirm that the electrical current is reaching the rear glass heating grid lines.

NOTE: For circuit descriptions and diagrams of the EBL system, refer to 8W - WIRING DIAGRAM INFORMATION.

Operation of the electrical backlight (EBL) system can be confirmed by the following:

(1) Turn the ignition switch to the On position. Set the rear window defogger switch in the On position. The rear window defogger operation can be checked by feeling the rear window glass. A distinct difference in temperature between the grid lines and the adjacent clear glass should be detected within three to four minutes of operation.

(2) If a temperature difference is not detected, use a 12-volt DC voltmeter and contact the rear glass heating grid terminal B with the negative lead, and terminal A with the positive lead (Fig. 2). The voltmeter should read battery voltage. If the voltmeter does not read battery voltage, check the following:

- Confirm that the ignition switch is in the On position.

- Make sure that the rear glass heating grid feed wires and ground wires are connected to the window terminals. Confirm that the ground wires have continuity to ground.

- Check that fuse 7 (15 amp) in fuse block #1 and fuse 10 (30 amp) in the fuse/relay block are OK. The fuses must be tight in their receptacles and all electrical connections must be secure.

(3) When the above steps have been completed and the rear glass heating grid is still inoperative, one or more of the following is faulty.

- Rear window defogger switch in the instrument panel.

- Rear window defogger (EBL) relays in the fuse/relay block.

- Rear window defogger (EBL) relay control circuitry in the rear window defogger module.

- Check for a loose wire connector or a wire pushed out of a connector.

- Rear window grid lines (all grid lines would have to be broken, or the power feed or ground wire not connected, for the entire heating grid to be inoperative).

(4) If the system operation has been verified but the defogger switch indicator does not illuminate, check for voltage at the defogger indicator from the rear window defogger module when the defogger switch is activated. If power is present, replace the rear window defogger switch.

(5) If broken defogger grid lines are suspected, use a 12-volt DC voltmeter and contact terminal B with the negative lead and each rear glass heating grid line at its mid-point with the positive lead. The voltmeter should read approximately 6 volts at each grid line mid-point C. If the voltmeter does not read approximately 6 volts, repair the open grid line(s) (Refer to 8 - ELECTRICAL/HEATED GLASS/REAR WINDOW DEFOGGER GRID - STANDARD PROCEDURE).

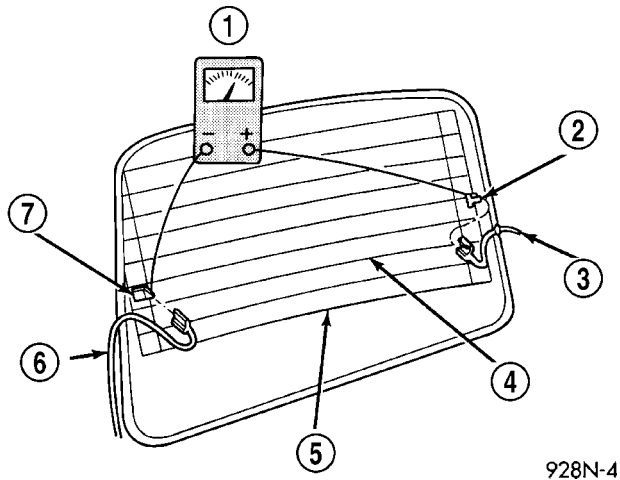


Fig. 2 Grid Line Test

928N-4

- 1 - VOLTMETER
- 2 - VOLTAGE FEED (A)
- 3 - FEED WIRE
- 4 - MID-POINT (C)
- 5 - HEATED WINDOW GRID
- 6 - GROUND WIRE
- 7 - GROUND (B)

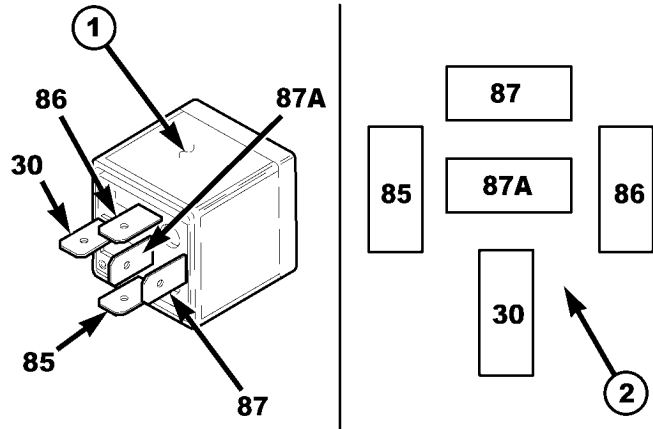


Fig. 3 Rear Window Defogger (EBL) Relays

8086f035

- 1 - REAR WINDOW DEFOGGER (EBL) RELAY (2)
- 2 - TERMINAL PATTERN

REAR WINDOW DEFOGGER RELAY

DESCRIPTION

The left and right rear window defogger (EBL) relays are International Standards Organization (ISO)-type relays (Fig. 3). Relays conforming to the ISO specifications have common physical dimensions, current capacities, terminal functions and patterns. The EBL relays are electromechanical devices that switch battery current through fuse 10 (30 amp) located in the fuse/relay block under the driver seat to the rear window defogger grids and when equipped, switches battery current to the outside mirror heating grids. The EBL relays are energized when the relay coils are provided battery current by the rear window defogger module.

The EBL relays are located in the fuse/relay block under the driver seat. Refer to the fuse and relay map located on the inner surface of the fuse/relay block cover for the left and right rear window defogger (EBL) relay locations.

The black, molded plastic case is the most visible component of the two rear window defogger (EBL) relays. Five male spade-type terminals extend from the bottom of the base to connect each relay to the vehicle electrical system, and the ISO designation for each terminal is molded into the base adjacent to each terminal.

OPERATION

The left and right rear window defogger (EBL) relays are electromechanical switches that uses a low current input from the rear window defogger module to control the high current output to the rear window defogger grids. The movable common feed contact point is held against the fixed normally closed contact point by spring pressure. When the relay coil is energized, an electromagnetic field is produced by the coil windings. This electromagnetic field draws the movable relay contact point away from the fixed normally closed contact point, and holds it against the fixed normally open contact point. When the relay coil is de-energized, spring pressure returns the movable contact point back against the fixed normally closed contact point. The resistor or diode is connected in parallel with the relay coil in the relay, and helps to dissipate voltage spikes and electromagnetic interference that can be generated as the electromagnetic field of the relay coil collapses.

The EBL relay terminals are connected to the vehicle electrical system through receptacles in the fuse/relay block. The inputs and outputs of the EBL relays include:

- The common feed terminal (30) receives a battery current input from fuse 10 (30 amp) in the fuse/relay block through a fused B(+) circuit at all times.

- The coil ground terminal (86) is hardwired to ground point G202.
- The coil battery terminal (85) receives a battery current input from the rear window defogger module when the rear window defogger switch is energized.
- The normally open terminal (87) provides a battery current output to the rear window defogger grid lines through the relay output circuit only when the rear window defogger relay coil is energized.
- The normally closed terminal (87A) is not connected to any circuit in this application, but provides a battery current output only when the rear window defogger relay coil is de-energized.

The left and right EBL relays cannot be repaired and, if faulty or damaged, they must be replaced. Refer to the appropriate wiring information for diagnosis and testing of the EBL relays and for complete rear window defogger system wiring diagrams.

REMOVAL

- (1) Disconnect and isolate the negative battery cable.
- (2) Remove the cover from the fuse/relay block (Fig. 4).

NOTE: Refer to the fuse and relay map located on the inner surface of the fuse/relay block cover for the left and right rear window defogger (EBL) relay locations.

- (3) Remove the EBL relays from the fuse/relay block as required.

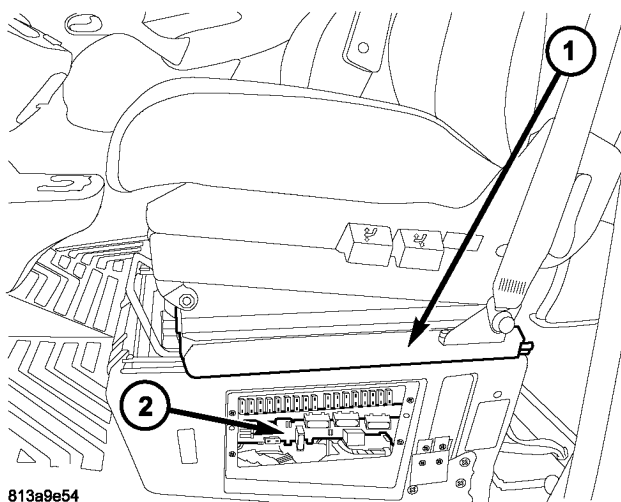


Fig. 4 Rear Window Defogger (EBL) Relays

- 1 - DRIVERS SEAT
- 2 - FUSE/RELAY BLOCK

INSTALLATION

NOTE: Refer to the fuse and relay map located on the inner surface of the fuse/relay block cover for the left and right rear window defogger (EBL) relay locations.

- (1) Position the rear window defogger (EBL) relays as required into their proper receptacles in the fuse/relay block.
- (2) Align the EBL relay terminals with the terminal cavities in the fuse/relay block receptacles.
- (3) Push down firmly on the EBL relays until the terminals are fully seated in the terminal cavities in the fuse/relay block receptacles.
- (4) Install the cover onto the fuse/relay block.
- (5) Reconnect the negative battery cable.

REAR WINDOW DEFOGGER SWITCH

DESCRIPTION

The rear window defogger switch is mounted in the instrument panel to the right of the steering wheel (Fig. 5). The rear window defogger switch contains a yellow indicator lamp that illuminates when the rear window defogger (EBL) system is activated.

The rear window defogger switch and the defogger switch indicator cannot be repaired and, if faulty or damaged, the rear window defogger switch must be replaced.

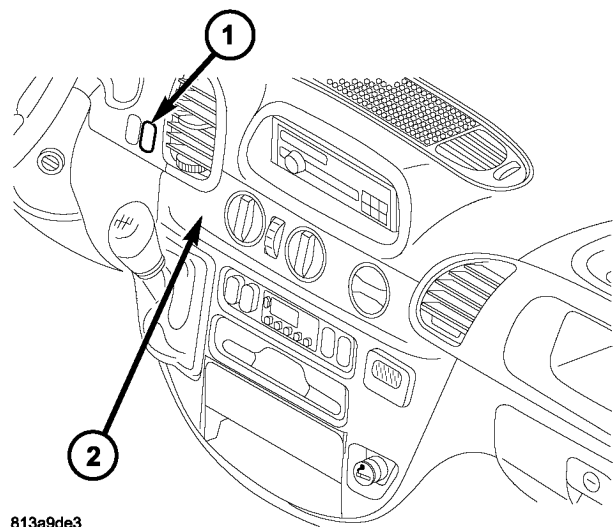


Fig. 5 Rear Window Defogger Switch

- 1 - REAR WINDOW DEFOGGER SWITCH
- 2 - INSTRUMENT PANEL

OPERATION

A yellow indicator lamp will illuminate when the rear window defogger switch is activated. The switch

energizes the timing circuit of the rear window defogger module which then activates the rear window defogger (EBL) relays. The EBL relays controls the current flow to the rear window defogger grids. The EBL system will operate for approximately five minutes or until the rear window defogger switch or ignition switch is turned off. Refer to 8 - ELECTRICAL/HEATED GLASS - DIAGNOSIS AND TESTING for diagnosis and testing of the rear window defogger switch.

The rear window defogger switch cannot be repaired and, if faulty or damaged, it must be replaced.

DIAGNOSIS AND TESTING

REAR WINDOW DEFOGGER SWITCH

WARNING: On vehicles equipped with airbags, disable the airbag system before attempting any steering wheel, steering column, or instrument panel component diagnosis or service. Disconnect and isolate the battery negative (ground) cable, then wait two minutes for the airbag system capacitor to discharge before performing further diagnosis or service. This is the only sure way to disable the airbag system. Failure to take the proper precautions could result in an accidental airbag deployment and possible personal injury.

NOTE: The rear window defogger switch may be tested in the vehicle or out of the vehicle, on a bench.

NOTE: For circuit descriptions and diagrams of the rear window defogger system, refer to 8W - WIRING DIAGRAM INFORMATION.

(1) Remove the rear window defogger switch from the instrument panel, but leave the switch connected (Refer to 8 - ELECTRICAL/HEATED GLASS/REAR WINDOW DEFOGGER SWITCH - REMOVAL).

(2) Turn the ignition switch ON.

(3) Using a voltmeter, check for battery voltage at Pin 3 of the rear window defogger switch (Fig. 6).

(a) If OK, go to Step 4.

(b) If NOT OK, check fuse 7 (15 amp) in fuse block #1. If fuse is OK, check the wiring circuits. Refer to 8W - WIRING DIAGRAM INFORMATION.

(4) Check Pin 7, with defogger switch in the On position there should be battery voltage and, no voltage with the switch in the Off position.

(a) If OK, go to Step 5.

(b) If NOT OK, no voltage in the On position or voltage in the Off position, replace the rear window defogger switch.

(5) Press the defogger switch to the On position. The indicator lamp should come on and remain on for approximately 5 minutes.

(a) If OK, install the rear window defogger switch (Refer to 8 - ELECTRICAL/HEATED GLASS/REAR WINDOW DEFOGGER SWITCH - INSTALLATION).

(b) If NOT OK, go to Step 6.

(6) Check Pin 9, with defogger switch in the On position there should be battery voltage.

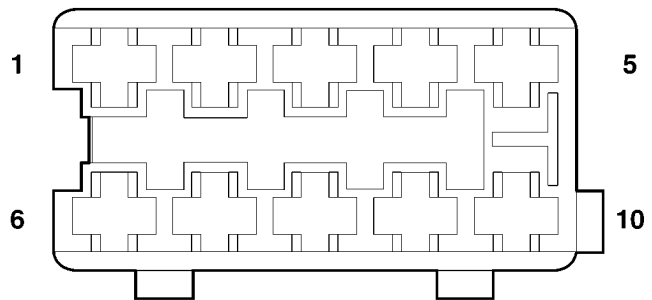
(a) If OK, go to Step 7.

(b) If NOT OK, check the wiring circuits. Refer to 8W - WIRING DIAGRAM INFORMATION.

(7) Check Pin 10 for a good ground.

(a) If OK, replace the rear window defogger switch.

(b) If NOT OK, check the wiring circuits. Refer to 8W - WIRING DIAGRAM INFORMATION.



813abbc0

Fig. 6 Rear Window Defogger Switch Connector

DEFOGGER SWITCH CONNECTOR PIN
CALL-OUT

PIN	FUNCTION
1	FUSED B+ (DRL RELAY)
3	IGNITION SWITCH OUTPUT (START-RUN)
5	PANEL LAMPS DRIVER
7	DEFOGGER SWITCH OUTPUT
9	PANEL LAMPS DRIVER
10	GROUND

REMOVAL

WARNING: To avoid personal injury or death, on vehicles equipped with airbags, disable the supplemental restraint system before attempting any steering wheel, steering column, airbag, seat belt tensioner, or instrument panel component diagnosis or service. Disconnect and isolate the battery negative (ground) cable, then wait two minutes for the system capacitor to discharge before performing further diagnosis or service. This is the only sure way to disable the supplemental restraint system. Failure to take the proper precautions could result in accidental airbag deployment.

(1) Disconnect and isolate the negative battery cable.

(2) Remove the cluster bezel from the instrument panel (Fig. 7) (Refer to 23 - BODY/INSTRUMENT PANEL/CLUSTER BEZEL - REMOVAL).

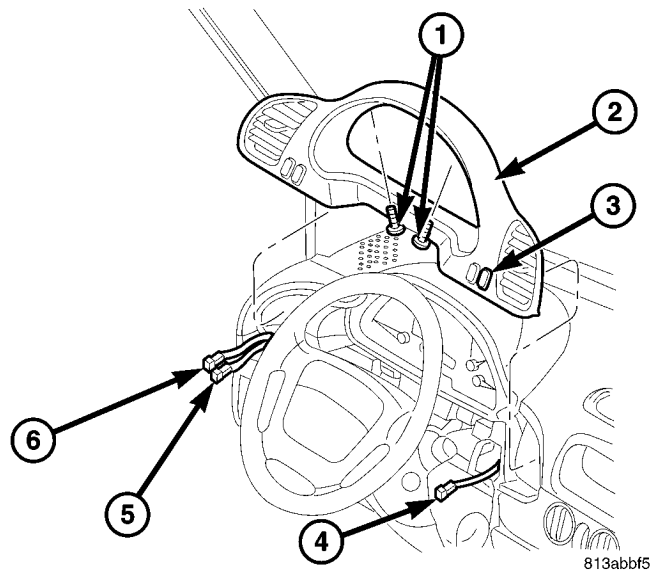


Fig. 7 Cluster Bezel Remove/Install

- 1 - SCREWS (2)
- 2 - CLUSTER BEZEL
- 3 - REAR WINDOW DEFOGGER SWITCH
- 4 - DEFOGGER SWITCH CONNECTOR
- 5 - WIRE HARNESS CONNECTOR
- 6 - WIRE HARNESS CONNECTOR

(3) From the back of the cluster bezel, squeeze the two latches on the rear window defogger switch body and push the switch out through the face of the bezel (Fig. 8).

(4) Remove the rear window defogger switch from the cluster bezel.

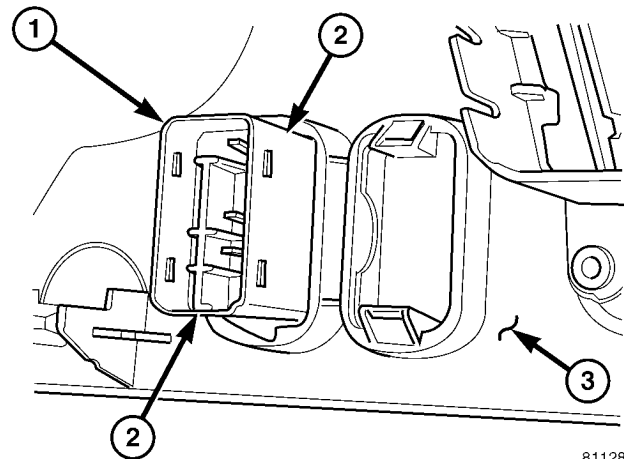


Fig. 8 Headlamp Leveling Switch Remove/Install

- 1 - SWITCH
- 2 - LATCH (2)
- 3 - CLUSTER BEZEL

INSTALLATION

(1) Position the rear window defogger switch to the proper mounting hole on the face of the cluster bezel.

(2) Using hand pressure, push the rear window defogger switch firmly and evenly into the switch

mounting hole of the cluster bezel until both of the latches on the switch body are fully engaged.

(3) Install the cluster bezel (Refer to 23 - BODY/ INSTRUMENT PANEL/CLUSTER BEZEL - INSTALLATION).

(4) Reconnect the negative battery cable.

REAR WINDOW DEFOGGER GRID

STANDARD PROCEDURE

GRID LINE AND TERMINAL REPAIR

REAR WINDOW DEFOGGER GRID LINE REPAIR

WARNING: The repair kit contains epoxy resin and amine type hardener which may cause skin or eye irritation and can be harmful if swallowed. Use with adequate ventilation. Do not use near fire or open flame the contents contain flammable solvents. Keep out of reach of children.

- DO NOT TAKE INTERNALLY, IF SWALLOWED INDUCE VOMITING AND CALL A PHYSICIAN IMMEDIATELY.

- IF SKIN CONTACT OCCURS, WASH AFFECTED AREAS WITH SOAP AND WATER.

- IF EYE CONTACT OCCURS, FLUSH WITH PLENTY OF WATER.

The repair of the grid lines is possible using the Mopar® Grid Line Repair Package or an equivalent.

(1) Mask the repair area so the conductive epoxy can be extended onto the grid line(s) or the bus bar (Fig. 9).

(2) Follow the instructions in the repair kit for preparing the damaged area.

(3) Remove the package separator clamp and mix the conductive epoxy thoroughly. Fold in half and cut the center corner to dispense the epoxy.

(4) Apply the conductive epoxy through the slit in the masking tape. Overlap both ends of the break(s) by 19 mm (3/4 inch).

(5) Carefully remove the masking tape from the grid line(s).

CAUTION: To prevent the glass from fracturing, do not allow the glass surface to exceed 204° C (400° F).

(6) Allow the epoxy to cure 24 hours at room temperature or use a heat gun with a 260° to 371° C (500° to 700° F) range for 15 minutes. Hold the heat gun approximately 254 mm (10 inches) from the repaired area.

(7) After the conductive epoxy is properly cured, verify operation of the rear window defogger.

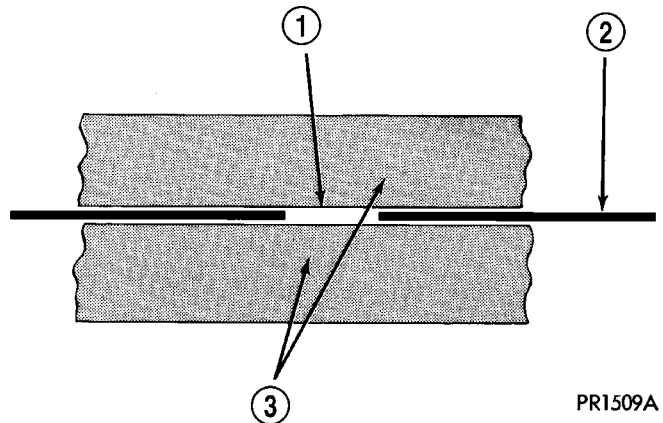


Fig. 9 Grid Line Repair

- 1 - BREAK
- 2 - GRID LINE
- 3 - MASKING TAPE

PR1509A

REAR WINDOW DEFOGGER GRID TERMINAL REPAIR

CAUTION: Do not use a flame type solder gun or an electric solder gun rated greater than 500 watts or damage to the glass may occur.

If the rear window defogger grid terminal(s) is damaged or separated from the rear window, the new grid terminal(s) must be securely fastened to the rear window defogger bus bar by soldering.

(1) If the grid terminal(s) is broken and a portion of the terminal is still attached to the heating grid, remove the portion of the clip remaining in the wire harness connector(s).

CAUTION: To prevent the glass from fracturing, do not allow the glass surface to exceed 204° C (400° F).

(2) If the grid terminal(s) is broken and a portion of the terminal is still attached to the rear window defogger bus bar, apply heat with a solder gun to the portion of the terminal on the glass until the solder starts to flow. Remove the terminal and carefully smooth the solder on the bus bar.

NOTE: Wait five minutes for the glass to cool after applying heat with a solder gun before proceeding.

NOTE: Use care when cleaning the mating surfaces. Excessive abrasion may wear away the copper grid surface causing grid continuity to be lost.

(3) Clean the mating surfaces on the grid bus bar and the new terminal(s) with "000" Extra Fine Steel Wool or an equivalent.

NOTE: The terminal attaching clip(s) must face outboard. Failure to reorient the terminal(s) may result in an additional failure.

(4) Properly orient the new terminal(s) with the attaching clip facing outboard in the original location(s) on the grid bus bar and hold the terminal(s) with a metal pick or other suitable pointed tool.

CAUTION: Do not allow the glass surface to exceed 204° C (400° F), glass may fracture.

NOTE: New rear window defogger terminals are pre-soldered and fluxed. Do not reuse a terminal if it has been previously heated.

Place the solder gun onto the new terminal(s) and heat the terminal until the solder flows. Remove the solder gun and continue to hold the terminal in the correct position for an additional five seconds.

(5) Allow the solder to cool for ten minutes.

NOTE: To ensure proper installation, do not attach the wire harness connector(s) to the terminal(s) until the solder is completely cooled.

(6) After the solder has cooled, reconnect the wire harness connector(s) and verify operation of the rear window defogger.

HEATED MIRRORS

TABLE OF CONTENTS

	page		page
HEATED MIRRORS		OPERATION	9
DESCRIPTION	9		

HEATED MIRRORS

DESCRIPTION

The available heated outside rear view mirror system is operational anytime the ignition switch is in the Run position (Fig. 1). When energized, each of these heater grids produce heat to help clear the outside mirrors of ice, snow, or fog.

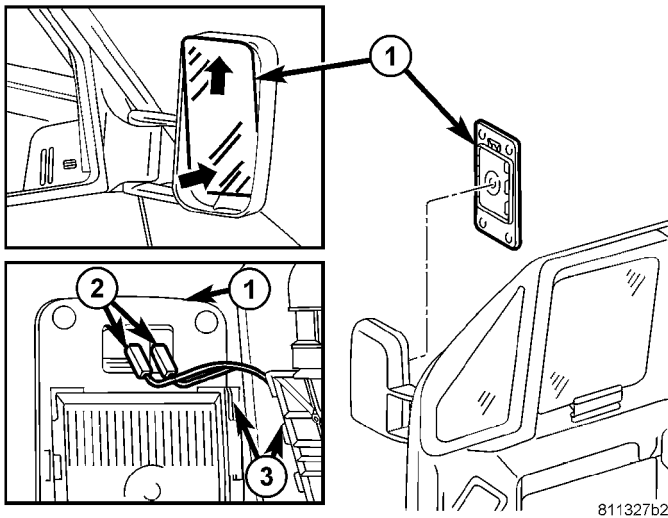


Fig. 1 SIDE VIEW MIRROR - GLASS

- 1 - MIRROR GLASS
- 2 - ELECTRICAL CONNECTORS
- 3 - GUIDES

OPERATION

The electric heater grid located behind the glass of each of the outside rear view mirrors is energized when the ignition switch is turned to the Run position. The heater grids heat the glass surface of the outside rear view mirrors.

If the outside mirror heating grids are inoperative, refer to 8W - WIRING DIAGRAM INFORMATION.

The heating grid behind each outside mirror glass cannot be repaired and, if faulty or damaged, the mirror glass must be replaced (Refer to 23 - BODY/ EXTERIOR/MIRROR-SIDE VIEW - GLASS - REMOVAL).

HEATED SEATS

TABLE OF CONTENTS

	page		page
HEATED SEATS		OPERATION	13
DESCRIPTION	10	DIAGNOSIS AND TESTING - HEATED SEAT	
OPERATION	10	RELAY	13
DIAGNOSIS AND TESTING - HEATED SEATS	11	REMOVAL	13
DRIVER HEATED SEAT SWITCH		INSTALLATION	13
DESCRIPTION	11	HEATED SEAT SENSOR	
OPERATION	11	DESCRIPTION	13
DIAGNOSIS AND TESTING - DRIVER HEATED		DIAGNOSIS AND TESTING - HEATED SEAT	
SEAT SWITCH	11	SENSOR	13
REMOVAL	11	PASSENGER HEATED SEAT SWITCH	
INSTALLATION	12	DESCRIPTION	13
HEATED SEAT ELEMENT		OPERATION	13
DESCRIPTION	12	DIAGNOSIS AND TESTING - PASSENGER	
OPERATION	12	HEATED SEAT SWITCH	14
DIAGNOSIS AND TESTING - HEATED SEAT		REMOVAL	14
ELEMENT	12	INSTALLATION	14
HEATED SEAT RELAY			
DESCRIPTION	12		

HEATED SEATS

DESCRIPTION

Individually controlled, electrically heated front seats are available factory-installed optional equipment on this model. Vehicles with this option can be visually identified by the two separate heated seat switches mounted in the instrument panel. The heated seat system allows the front seat driver and passenger to select from two different levels of supplemental electrical seat heating, or no seat heating to suit their individual comfort requirements. The heated seat system for this vehicle includes the following major components, which are described in further detail later in this section:

- **Heated Seat Elements** - Four heated seat elements are used per vehicle, two for each front seat. One heating element in the seat back and one in the seat cushion. The heated seat sensor is integral to the seat cushion heating element. The heated seat elements are integral to the front seat and seat back cushions. Refer to heated seat elements later in this section for additional information.

- **Heated Seat Relay** - One heated seat relay is used per vehicle. The relay is located in the fuse block and is responsible for distributing the voltage (B+) to the heated seat elements.

- **Heated Seat Sensors** - Two heated seat sensors are used per vehicle, one for each front seat. The heated seat sensors are integral to each of the heated

seat element assemblies. Refer to heated seat sensor later in this section for additional information.

- **Heated Seat Switches** - Two heated seat switches are used per vehicle, one for each front seat. The switches are mounted in the instrument panel. Refer to heated seat switches later in this section for additional information.

Hard wired circuitry connects the heated seat system components to each other through the electrical system of the vehicle. Refer to Wiring for additional information. The wiring information includes wiring diagrams, proper wire and connector repair procedures, further details on wire harness routing and retention, as well as pin-out and location views for the various wire harness connectors, splices and grounds.

OPERATION

The heated seat system is designed to provide individually controlled, supplemental heat to the seat cushion and seat back surfaces of both front seats. Because this system converts electrical current to heat, the heated seat system can provide a measure of warm comfort almost immediately upon entering a cold vehicle, rather than having to wait for the engine coolant to reach sufficient temperature to deliver heat through the conventional heater system. This system allows each front seat occupant to individually select one of two comfort levels, Hi or Lo, or to turn the heater for their seat off.

The heated seat system components operate on battery current received through a fuse in the Fuse Block on a fused ignition switch output (run-acc) circuit so that the system will only operate when the ignition switch is in the On or Accessory positions. The heated seat system will be turned Off automatically whenever the ignition switch is turned to any position except On or Accessory. Also, the heated seat system will not operate when the surface temperature of the seat cushion cover at either heated seat sensor is above the designed temperature set points of the system.

DIAGNOSIS AND TESTING - HEATED SEATS

Refer to **Wiring** for the appropriate wiring information. The wiring information includes wiring diagrams, proper wire and connector repair procedures, further details on wire harness routing and retention, as well as pin-out and location views for the various wire harness connectors, splices and grounds.

HEATED SEAT SYSTEM DIAGNOSIS		
CONDITION	POSSIBLE CAUSES	CORRECTION
NO HEATED SEAT SWITCH ILLUMINATION WITH IGNITION ON	1. Faulty fuse. 2. Wiring faulty. 3. Ground faulty. 4. Faulty switch.	1. Check heated seat fuse in Fuse Block. Replace fuse, if required. 2. Check fused ignition switch output (run-acc) circuit from heated seat switch connector to ignition switch. Repair, if required. 3. Check for ground at heated seat switch connector. Repair, if required. 4. Refer to Heated Seat Switch for the proper switch diagnosis and testing procedures.

DRIVER HEATED SEAT SWITCH

DESCRIPTION

The heated seat switches are located on the instrument panel, in the accessory switch bezel. The two, momentary rocker type switches provide a signal to the Heated Seat Relay through separate hard wired circuits. Each switch contains two light emitting diodes (LED), one for each High and Low setting to let the occupant know that the seat heater system is on.

The heated seat switches and their LED's cannot be repaired. If either switch is faulty or damaged the entire switch must be replaced.

OPERATION

There are three modes that can be selected with each of the heated seat switches: Off, Low, and High. When the top of the switch rocker is depressed, the low mode is selected and the low mode LED indicator illuminates. Depressing the top of the switch rocker a second time will turn the heated seat to Off. This same process is repeated for High heat setting. The heated seats will automatically return to the Off mode anytime the vehicle ignition switch is turned Off.

Both switches provide separate hard wire inputs to the Heated Seat Relay to indicate the selected mode. The Heated Seat Relay responds to the heated seat switch messages by controlling the output to the seat heater elements of the selected seat.

DIAGNOSIS AND TESTING - DRIVER HEATED SEAT SWITCH

For circuit description and diagrams, refer to **Wiring**.

(1) Inspect the Heated Seat Switches for apparent damage or sticking/binding and replace if required. Refer to Heated Seat Switch Removal and Installation in this section.

(2) Replace the heated seat switch with a known good unit and retest the heated seat system.

REMOVAL

(1) Disconnect and isolate the negative battery cable.

(2) Remove the gear selector bezel trim. Refer to the Body section for the procedure.

(3) Remove the storage bin. Refer to the Body section for the procedure.

(4) Remove the switch bezel retaining screw and remove the switch bezel from the instrument panel. Refer to the Body section for the procedure.

(5) Disconnect electrical connections.

(6) Working from the underside of the switch, gently rock the switch back and forth out of its mounting location in the switch bezel.

INSTALLATION

(1) Install the heated seat switch in its mounting location in the switch bezel.

(2) Connect electrical connections.

(3) Position the switch bezel and install the retaining screw. Refer to the Body section for the procedure.

(4) Install the storage bin. Refer to the Body section for the procedure.

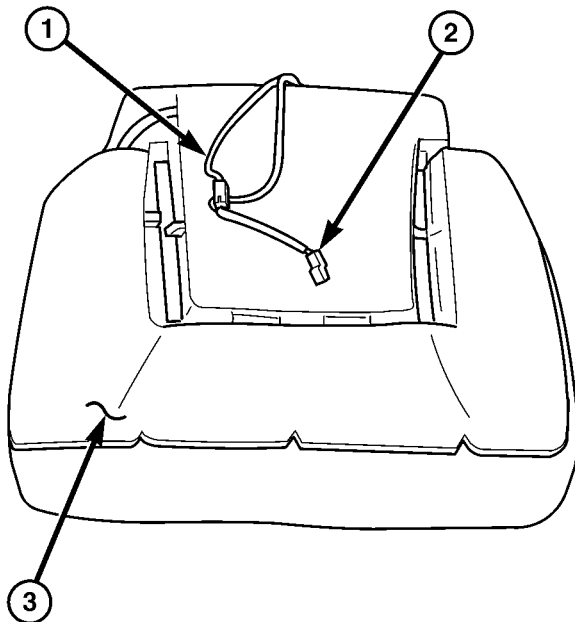
(5) Install the gear selector bezel trim. Refer to the Body section for the procedure.

(6) Connect the negative battery cable.

HEATED SEAT ELEMENT

DESCRIPTION

The heated seat system includes two seat heating elements in each front seat, one for the seat cushion (Fig. 1) and the other for the seat back. All models use two resistor wire heating elements for each seat that are connected in series with the Heated Seat Relay. The temperature sensor is a Negative Temperature Coefficient (NTC) thermistor. One temperature sensor is used for each seat, and it is located in the seat cushion heating element for all models.



80c91d10

Fig. 1 Heated Seat Element - Typical

- 1 - Seat Back Wire Harness
- 2 - Heated Seat Wire Harness Connector
- 3 - Heated Seat Cushion Element

The seat heating elements are glued onto the seat and seat back cushions. The heated seat elements and the temperature sensor cannot be adjusted or repaired and, if faulty or damaged a new seat assembly must be installed.

OPERATION

The heated seat elements resist the flow of electrical current. When battery current is passed through the elements, the energy lost by the resistance of the elements is released in the form of heat. The heated seat temperature sensor is a NTC thermistor. When the temperature of the seat cushion cover rises, the resistance of the sensor decreases. The heated seat relay uses this temperature sensor input to monitor the temperature of the seat, and regulates the current flow to the seat heating elements accordingly.

DIAGNOSIS AND TESTING - HEATED SEAT ELEMENT

For complete circuit diagrams, refer to **Wiring**.

NOTE: When checking heated seat elements for continuity, be certain to move the heating element being checked. Moving the element, such as sitting in the seat will eliminate the possibility of an intermittent open in the element which would only be evident if the element was in a certain position. Failure to check the element in various positions could result in an incomplete test.

(1) Disconnect and isolate the battery negative cable. Disconnect the heated seat element wire harness connector from under the seat cushion. Check for continuity between the seat heater driver circuit and ground. There should be continuity, less than 7 ohms. If OK, go to Step 2. If not OK, replace the seat assembly.

(2) Check for continuity between the seat heater B+ driver circuit cavity and the seat back frame. There should be **no** continuity. If OK, heating element is OK at this time. If not OK, replace the seat assembly.

HEATED SEAT RELAY

DESCRIPTION

The heated seat relay is an electromechanical device that switches 12v battery current to the heated seat elements when the relay control coil is energized. The heated seat relay is located in the Fuse Block, under the drivers seat. The heated seat relay is a International Standards Organization (ISO) relay. Relays conforming to the ISO specifications have common physical dimensions, current capacities, terminal patterns, and terminal functions.

The heated seat relay cannot be repaired or adjusted and, if faulty or damaged, it must be replaced.

OPERATION

The ISO relay consists of an electromagnetic coil, a resistor or diode, and three (two fixed and one movable) electrical contacts. The movable (common feed) relay contact is held against one of the fixed contacts (normally closed) by spring pressure. When the electromagnetic coil is energized, it draws the movable contact away from the normally closed fixed contact, and holds it against the other (normally open) fixed contact. When the electromagnetic coil is de-energized, spring pressure returns the movable contact to the normally closed position. The resistor or diode is connected in parallel with the electromagnetic coil in the relay, and helps to dissipate voltage spikes that are produced when the coil is de-energized.

DIAGNOSIS AND TESTING - HEATED SEAT RELAY

The heated seat relay is located in the Fuse Block, under the drivers seat. Refer to **Wiring** for the location of complete heated seat system wiring diagrams.

(1) Remove the heated seat relay from the fuse block.

(2) A relay in the de-energized position should have continuity between terminals 87A and 30, and no continuity between terminals 87 and 30. If OK, go to Step 3. If not OK, replace the faulty relay.

(3) Resistance between terminals 85 and 86 (electromagnet) should be 75 ± 5 ohms. If OK, go to Step 4. If not OK, replace the faulty relay.

(4) Connect a battery to terminals 85 and 86. There should now be continuity between terminals 30 and 87, and no continuity between terminals 87A and 30. If OK, check the relay supply circuits. If not OK, replace the faulty relay.

REMOVAL

(1) Disconnect and isolate the battery negative cable.

(2) The heated seat relay is located in the fuse block, under the drivers seat. Refer to wiring for detailed location.

(3) Grasp the heated seat relay firmly and pull it straight out from the fuse block. A slight rocking motion will aid in removal.

INSTALLATION

(1) Grasp the heated seat relay firmly and push it straight in the fuse block.

(2) Reconnect the battery negative cable.

HEATED SEAT SENSOR

DESCRIPTION

The heated seat temperature sensor is a Negative Temperature Coefficient (NTC) thermistor. One temperature sensor is used for each seat. The sensor is located in the seat cushion heating element for all models.

The heated seat sensor cannot be adjusted or repaired and if it is found to be faulty, the complete heated seat element must be replaced.

DIAGNOSIS AND TESTING - HEATED SEAT SENSOR

For complete circuit diagrams, refer to **Wiring**.

NOTE: Any resistance values (ohms Ω) given in the following text are supplied using the automatic range generated by a FLUKE® automotive meter. If another type of measuring device is used the values generated may not be the same as the results shown here, or may have to be converted to the range used here.

(1) Backprobe the heated seat relay wire harness connector, do not disconnect. Using an voltmeter, check the voltage of the seat temperature sensor input cavity of the heated seat relay wire harness connector. The seat sensor input voltage should be between 1.7 volts and 3.0 volts with the system ON. If OK, sensor is OK at this time. If not OK, replace the faulty seat cushion heating element and sensor assembly.

PASSENGER HEATED SEAT SWITCH

DESCRIPTION

The heated seat switches are located on the instrument panel, in the accessory switch bezel. The two, momentary rocker type switches provide a signal to the Heated Seat Relay through separate hard wired circuits. Each switch contains two light emitting diodes (LED), one for each High and Low setting to let the occupant know that the seat heater system is on.

The heated seat switches and their LED's cannot be repaired. If either switch is faulty or damaged the entire switch must be replaced.

OPERATION

There are three modes that can be selected with each of the heated seat switches: Off, Low, and High. When the top of the switch rocker is depressed, the low mode is selected and the low mode LED indicator illuminates. Depressing the top of the switch rocker a

second time will turn the heated seat to Off. This same process is repeated for High heat setting. The heated seats will automatically return to the Off mode anytime the vehicle ignition switch is turned Off.

Both switches provide separate hard wire inputs to the Heated Seat Relay to indicate the selected mode. The Heated Seat Relay responds to the heated seat switch messages by controlling the output to the seat heater elements of the selected seat.

DIAGNOSIS AND TESTING - PASSENGER HEATED SEAT SWITCH

For circuit description and diagrams, refer to **Wiring**.

(1) Inspect the Heated Seat Switches for apparent damage or sticking/binding and replace if required. Refer to Heated Seat Switch Removal and Installation in this section.

(2) Replace the heated seat switch with a known good unit and retest the heated seat system.

REMOVAL

(1) Disconnect and isolate the negative battery cable.

(2) Remove the gear selector bezel trim. Refer to the Body section for the procedure.

(3) Remove the storage bin. Refer to the Body section for the procedure.

(4) Remove the switch bezel retaining screw and remove the switch bezel from the instrument panel. Refer to the Body section for the procedure.

(5) Disconnect electrical connections.

(6) Working from the underside of the switch, gently rock the switch back and forth out of its mounting location in the switch bezel.

INSTALLATION

(1) Install the heated seat switch in its mounting location in the switch bezel.

(2) Connect electrical connections.

(3) Position the switch bezel and install the retaining screw. Refer to the Body section for the procedure.

(4) Install the storage bin. Refer to the Body section for the procedure.

(5) Install the gear selector bezel trim. Refer to the Body section for the procedure.

(6) Connect the negative battery cable.

HORN

TABLE OF CONTENTS

	page		page
HORN		HORN SWITCH	
REMOVAL	1	REMOVAL	1
INSTALLATION	1	INSTALLATION	1

HORN

REMOVAL

- (1) Disconnect and isolate the battery negative cable.
- (2) Disconnect the wire harness connectors.
- (3) Remove the mounting fastener and horns.

INSTALLATION

- (1) Position horns and install mounting fasteners.
- (2) Connect wire harness connector.
- (3) Connect battery negative cable.

HORN SWITCH

REMOVAL

- (1) Disconnect and isolate the battery negative cable.
- (2) Remove the drivers side airbag (Refer to 8 - ELECTRICAL/RESTRAINTS/DRIVER AIRBAG - REMOVAL).
- (3) Remove the electrical harness connector.
- (4) Remove the mounting fasteners and horn switch.

INSTALLATION

- (1) Connect the wire harness connector.
- (2) Position the horn switch and install the mounting fasteners.
- (3) Install the drivers side airbag (Refer to 8 - ELECTRICAL/RESTRAINTS/DRIVER AIRBAG - INSTALLATION).
- (4) Connect the battery negative cable.

IGNITION CONTROL

TABLE OF CONTENTS

	page		page
IGNITION CONTROL		GLOW PLUG RELAY	
OPERATION - GLOW PLUG	1	DESCRIPTION	1
SPECIAL TOOLS	1	OPERATION	2
GLOW PLUG		DIAGNOSIS AND TESTING - GLOW PLUG	
REMOVAL	1	RELAYS	2
INSTALLATION	1		

IGNITION CONTROL

OPERATION - GLOW PLUG

Pre - Glowing

With the key in the On position, the glow plug output stage and the indicator lamp are actuated by the ECM. The pre-heating time is calculated by the ECM in line with the coolant temperature. The glow plug output stage switches the current through the glow plugs. The glow plug indicator lamp goes out after a pre-glow period has elapsed. Component or cable failures in the pre-glow system are indicated by the glow plug lamp and stored in the ECM.

Glow Output Stage

With the ignition key in the On position a signal is transmitted from the ECM to the glow plug output stager. If no data is exchanged with the ECM the glow plug stage is terminated after two seconds. The glow plug out put stage constantly signals the current operating state (ON/OFF) and any system faults. The following faults are recognized by the out put stage and transmitted to the ECM:

- Open circuit in one or more of the glow plug leads
- Short circuit in the glow plug circuit
- Out put stage fault or temperature related shut-off

If a failure in the glow plug system occurs, the glow plug indicator lamp will be illuminated only as long as the fault is current. If the failure is no longer present, the glow plug indicator lamp will be switched off but a code will be stored in the ECM.

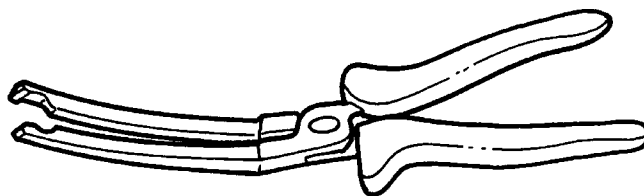
After Glow

Once the engine has started, the ECM determines the after glow time depending on cooling temperature. During this time the glow plugs continue to be actuated by the glow plug output stage. This results in improved smooth running after a cold start and improved warming up properties, elimination of blue

exhaust after a cold start up and a more stable cold starting speed.

If no signal is received from the coolant temperature sensor the signal from the oil sensor is used as a substitute.

SPECIAL TOOLS



GLOW PLUG PLIERS

GLOW PLUG

REMOVAL

- (1) Disconnect the negative battery cable.
- (2) Remove the engine cover.
- (3) Use special tool #9286 pliers to unplug the glow plug wiring harness connector(s) at the glow plug.
- (4) Remove the glow plug(s) (Fig. 1).

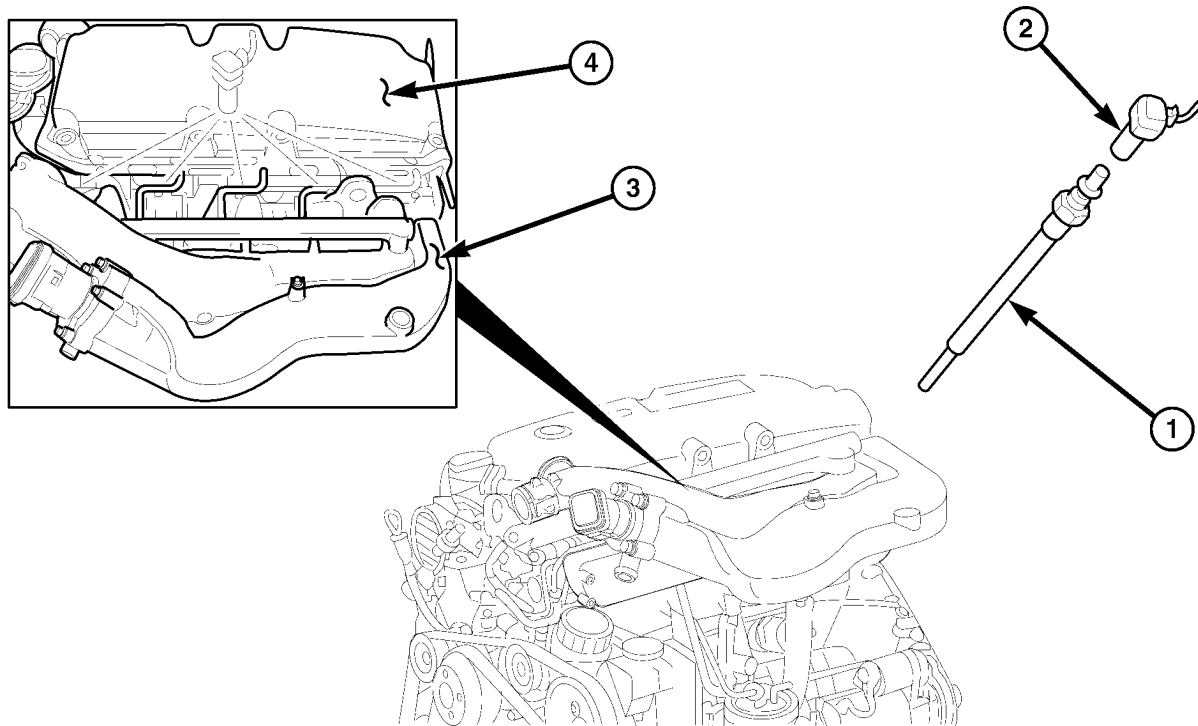
INSTALLATION

- (1) Screw glow plug(s) into cylinder head and tighten to 12 N·m (115 lbs. in) (Fig. 1).
- (2) Connect the glow plug wiring harness connector(s)
- (3) Install the engine cover.
- (4) Connect negative battery cable.

GLOW PLUG RELAY

DESCRIPTION

The glow plug relay supplies battery voltage to the glow plug through a timed cycle that is related to coolant temperature. The glow plug relay is located under the battery. The purpose of a glow plug system



8131e99e

Fig. 1 GLOW PLUG (S)

1 - GLOW PLUG
2 - WIRING HARNESS CONNECTOR

3 - INTAKE MANIFOLD
4 - ENGINE COVER

is to improve combustion for low emissions and to achieve easy starting at low temperatures.

OPERATION

When the ignition key is turned to the ON position, the glow plug output stage and pre-glow indicator lamp are actuated by the ECM. The duration of the signal depends on the coolant temperature. The glow plug relay has processing that communicates with the ECM. If no data exchange occurs at the triggering stage, the preheating is switched off after 2 seconds.

Start glowing is initiated when the key is in the start position. The glow plugs (R13–R17) continue to be supplied with voltage. This makes it possible to stabilize the cold starting speed. (After glowing is initiated when the starter reject speed is reached).

After the engine starts, the ECM determines the afterglow period in line with coolant temperature. If no signal is received from the coolant temperature sensor, afterglow is maintained for thirty seconds.

The following aims are reached by the afterglow :

- Improvement in warming-up properties
- Prevention of white exhaust smoke after cold start
- Stabilizing of the cold starting speed

The glow plug output stage constantly signals the current operating state and faults. The following are faults detected and transmitted to the ECM :

- Open circuit at one or several glow plugs
- Short circuit in the glow plug circuit
- Relay fault

If the Glow plug relay detects an open circuit at a glow plug, it is stored and indicated only once the engine is running by the preglow indicator lamp coming on for about one minute and a fault is stored in the ECM. If a short circuit, a glow plug output stage faulty or a temperature related switching off of output stages is detected, the fault is stored and indicated immediately by the preglow indicator lamp coming on. Once the fault is no longer current, the indicator is immediately switched off, but the fault is stored in the ECM. If the fault is constantly current, the preglow indicator lamp remains on until the ignition is switched off.

DIAGNOSIS AND TESTING - GLOW PLUG RELAYS

Refer to the appropriate Diesel Powertrain Diagnosis Manual for information on diagnosing the glow plug relays.

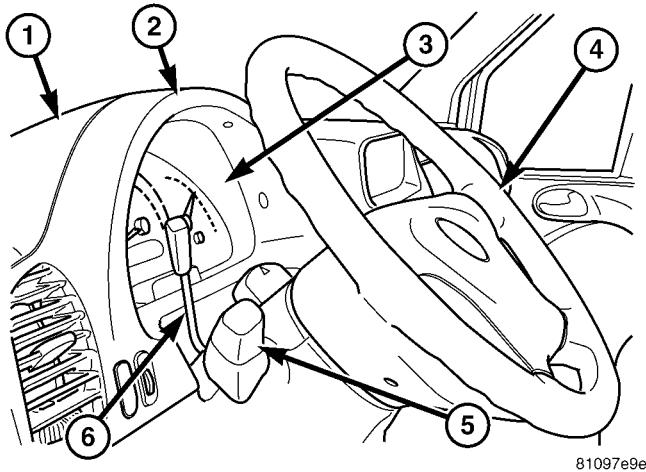
INSTRUMENT CLUSTER

TABLE OF CONTENTS

	page		page
INSTRUMENT CLUSTER		HIGH BEAM INDICATOR	
DESCRIPTION	2	DESCRIPTION	19
OPERATION	5	OPERATION	19
DIAGNOSIS AND TESTING - INSTRUMENT		LOW FUEL INDICATOR	
CLUSTER	7	DESCRIPTION	19
STANDARD PROCEDURE		OPERATION	19
CLUSTER PROGRAMMING	7	LOW OIL LEVEL INDICATOR	
REMOVAL	8	DESCRIPTION	20
INSTALLATION	9	OPERATION	20
ABS INDICATOR		MAINTENANCE INDICATOR	
DESCRIPTION	9	DESCRIPTION	20
OPERATION	10	OPERATION	21
ADR INDICATOR		MALFUNCTION INDICATOR LAMP (MIL)	
DESCRIPTION	10	DESCRIPTION	21
OPERATION	10	OPERATION	21
AIRBAG INDICATOR		MULTI-FUNCTION INDICATOR	
DESCRIPTION	11	DESCRIPTION	22
OPERATION	11	OPERATION	22
AMBIENT TEMPERATURE INDICATOR		ODOMETER	
DESCRIPTION	11	DESCRIPTION	22
OPERATION	12	OPERATION	23
BRAKE INDICATOR		PARK BRAKE INDICATOR	
DESCRIPTION	12	DESCRIPTION	23
OPERATION	12	OPERATION	24
BRAKE WEAR INDICATOR		SEATBELT INDICATOR	
DESCRIPTION	13	DESCRIPTION	24
OPERATION	13	OPERATION	24
CHARGING INDICATOR		SPEEDOMETER	
DESCRIPTION	14	DESCRIPTION	25
OPERATION	14	OPERATION	25
CLOCK		TACHOMETER	
DESCRIPTION	14	DESCRIPTION	25
OPERATION	14	OPERATION	25
COOLANT LOW INDICATOR		TRACTION CONTROL INDICATOR	
DESCRIPTION	15	DESCRIPTION	26
OPERATION	15	OPERATION	26
ENGINE TEMPERATURE GAUGE		TRACTION CONTROL MALFUNCTION	
DESCRIPTION	15	INDICATOR	
OPERATION	16	DESCRIPTION	27
ESP INDICATOR		OPERATION	27
DESCRIPTION	16	TURN SIGNAL INDICATOR	
OPERATION	16	DESCRIPTION	27
FUEL FILTER CLOGGED INDICATOR		OPERATION	27
DESCRIPTION	17	WAIT-TO-START INDICATOR	
OPERATION	17	DESCRIPTION	28
FUEL GAUGE		OPERATION	28
DESCRIPTION	17	WASHER FLUID INDICATOR	
OPERATION	18	DESCRIPTION	29
GEAR SELECTOR INDICATOR		OPERATION	29
DESCRIPTION	18	WATER-IN-FUEL INDICATOR	
OPERATION	18	DESCRIPTION	29
		OPERATION	29

INSTRUMENT CLUSTER

DESCRIPTION

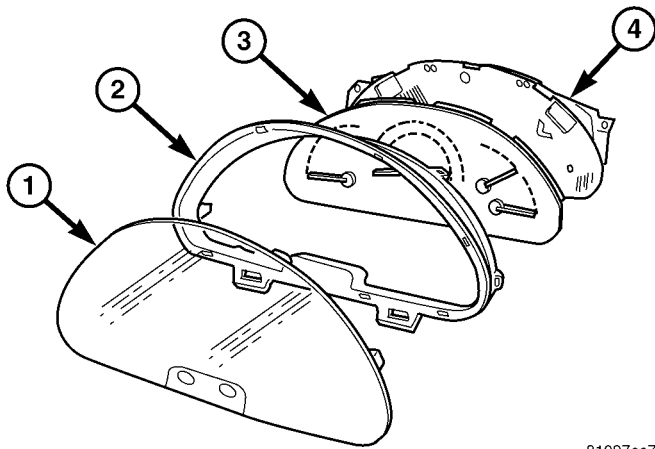


81097e9e

Fig. 1 Instrument Cluster

- 1 - COVER
- 2 - BEZEL
- 3 - INSTRUMENT CLUSTER
- 4 - STEERING WHEEL
- 5 - MULTI-FUNCTION SWITCH
- 6 - SPEED CONTROL SWITCH

The instrument cluster for this model is an ElectroMechanical Instrument Cluster (EMIC) that is located above the steering column opening in the instrument panel, directly in front of the driver (Fig. 1). The remainder of the EMIC, including the mounts and the electrical connections, are concealed within the instrument panel behind the cluster bezel and beneath the instrument panel top cover for the cluster. The instrument cluster includes analog gauges, meters, indicators, and acoustic signal transmitters.



81097ec7

Fig. 2 Instrument Cluster Components

- 1 - LENS
- 2 - HOOD
- 3 - CLUSTER HOUSING
- 4 - REAR COVER

The EMIC module also incorporates a multi-function indicator that consists of a digital Liquid Crystal Display (LCD) unit for displaying odometer/trip odometer information, an electronic digital clock, engine oil level information, automatic transmission gear selector position (PRNDL), and certain diagnostic information. The multi-function indicator also has four push button switches, which provide the vehicle operator with an interface to adjust certain inputs to the instrument cluster and to select from multiple display options. If the vehicle is equipped with the appropriate options, the multi-function indicator also provides an outside ambient temperature indicator display and an Active Service SYSTEM (ASSYST) engine oil maintenance indicator to display engine oil level and maintenance reminders.

The EMIC gauges and indicators are visible through a dedicated opening in the cluster bezel on the instrument panel and are protected by a clear plastic cluster lens (Fig. 2) that is secured by eight integral latches to the molded black plastic cluster hood. Four, black plastic multi-function indicator switch push buttons protrude through dedicated holes in a rectangular black plastic switch bezel that is integral to the cluster lens and located near the lower edge of the cluster directly below the multi-function indicator LCD unit. The cluster hood serves as a visor and shields the face of the cluster from ambient light and reflections to reduce glare. The cluster hood has eight integral latches that engage eight integral latch tabs on the cluster rear cover, sandwiching the cluster housing unit between the hood and the rear cover. The cluster hood also has two integral pivot loops molded into its underside that engage two pairs of molded pivot hooks that are integral to the top of the instrument panel base structure. These pivots allow the cluster to be rolled rearward to ease service access to the wire harness connectors at the back of the cluster.

The rear of the cluster housing and the EMIC electronic circuitry are protected by the molded plastic rear cover. A mounting ear at each upper corner of the rear cover are used to secure the EMIC to the molded plastic instrument panel base unit with two screws. The rear cover includes clearance holes for the two cluster connector receptacles on the cluster electronic circuit board. The connector receptacles on the back of the cluster electronic circuit board connect the EMIC to the vehicle electrical system through two take outs with connectors from the vehicle wire harness. The EMIC rear cover includes a molded mounting tab and a latch feature that secures the Remote Keyless Entry (RKE)/immobilizer module to the back of the cluster. The RKE/immobilizer module is connected to the vehicle electrical system through a separate take out and connector of the vehicle wire harness.

Located between the rear cover and the cluster hood is the cluster housing. The molded plastic cluster housing serves as the carrier for the cluster electronic circuit board and circuitry, the cluster connector receptacles, the gauges, a Light Emitting Diode (LED) for each cluster indicator and general illumination lamp, the multi-function indicator LCD unit, electronic tone generators, the cluster overlay, the gauge pointers, the multi-function indicator switches and the four switch push buttons.

The cluster overlay is a laminated plastic unit. The dark, visible, outer surface of the overlay is marked with all of the gauge dial faces and graduations, but this layer is also translucent. The darkness of this outer layer prevents the cluster from appearing cluttered or busy by concealing the cluster indicators that are not illuminated, while the translucence of this layer allows those indicators and icons that are illuminated to be readily visible. The underlying layer of the overlay is opaque and allows light from the LED for each of the various indicators and illumination lamps behind it to be visible through the outer layer of the overlay only through predetermined cutouts. A rectangular opening in the overlay at the base of the speedometer provides a window through which the illuminated multi-function indicator LCD unit can be viewed.

Several versions of the EMIC module are offered on this model. These versions accommodate all of the variations of optional equipment and regulatory requirements for the various markets in which the vehicle will be offered. The microprocessor-based EMIC utilizes integrated circuitry, Electrically Erasable Programmable Read Only Memory (EEPROM) type memory storage, information carried on the Controller Area Network (CAN) data bus, along with several hard wired analog and multiplexed inputs to monitor systems, sensors and switches throughout the vehicle.

In response to those inputs, the hardware and software of the EMIC allow it to control and integrate many electronic functions and features of the vehicle through both hard wired outputs and the transmission of electronic message outputs to other electronic modules in the vehicle over the CAN data bus. (Refer to 8 - ELECTRICAL/ELECTRONIC CONTROL MODULES/COMMUNICATION - DESCRIPTION - CAN BUS).

Besides typical instrument cluster gauge and indicator support, the electronic functions and features that the EMIC supports or controls include the following:

- **Active Service System** - In vehicles equipped with the Active Service SYSTem (ASSYST) engine oil maintenance indicator option, the EMIC electronic circuit board includes a second dedicated microprocessor. This second microprocessor evaluates various data including time, mileage, and driving conditions

to calculate the required engine oil service intervals, and provides both visual and audible alerts to the vehicle operator when certain engine oil maintenance services are required.

- **Audible Warnings** - The EMIC electronic circuit board is equipped with an audible tone generator and programming that allows it to provide various audible alerts to the vehicle operator, including buzzing and chime tones. An audible contactless electronic relay is also soldered onto the circuit board to produce audible clicks that is synchronized with turn signal indicator flashing to emulate the sounds of a conventional turn signal or hazard warning flasher. These audible clicks can occur at one of two rates to emulate both normal and bulb-out turn or hazard flasher operation. (Refer to 8 - ELECTRICAL/CHIME/BUZZER - DESCRIPTION).

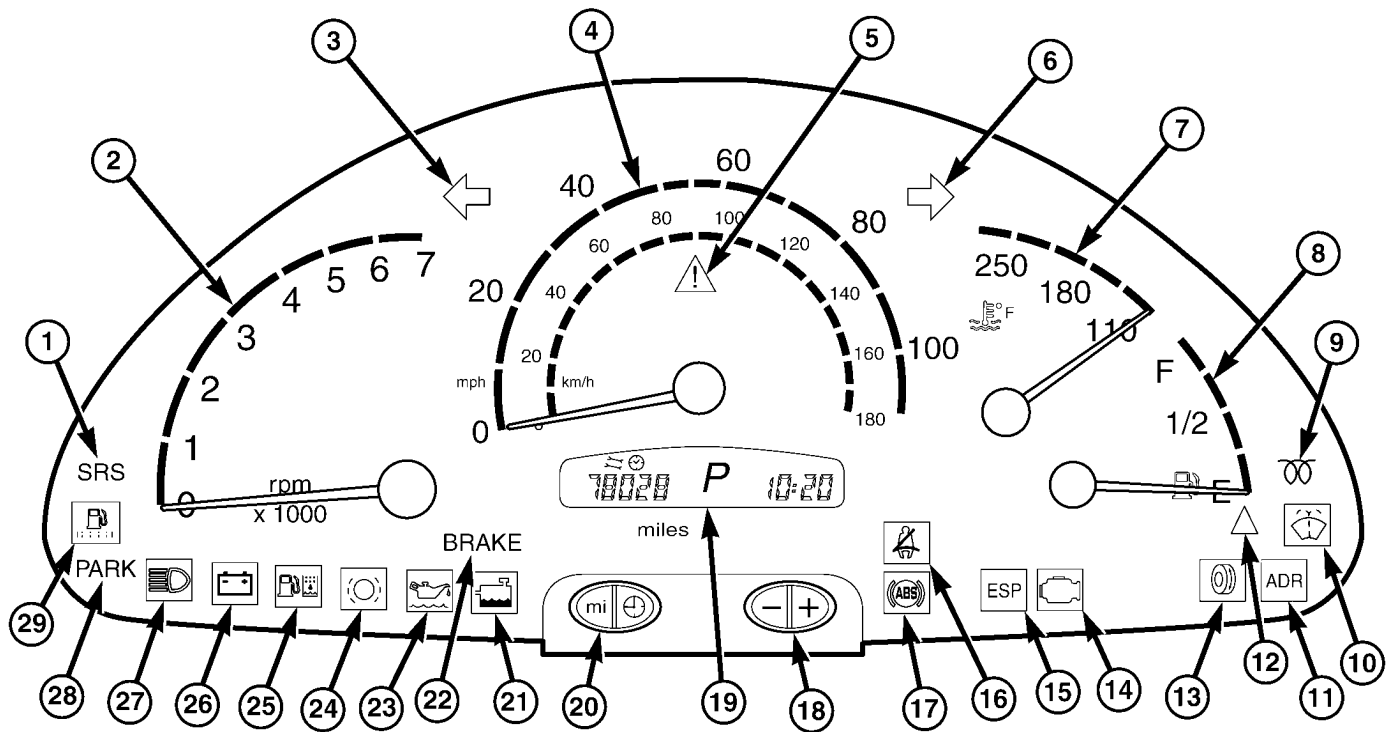
- **Panel Lamps Dimming Control** - The EMIC provides a hard wired 12-volt Pulse-Width Modulated (PWM) output that synchronizes the dimming level of all panel lamps dimmer controlled lamps with that of the cluster general illumination lamps and multi-function indicator.

The EMIC houses four analog gauges and has provisions for up to nineteen indicators (Fig. 3). The EMIC includes the following analog gauges:

- **Coolant Temperature Gauge**
- **Fuel Gauge**
- **Speedometer**
- **Tachometer**

The EMIC includes provisions for the following indicators (Fig. 3):

- **Airbag (SRS) Indicator**
- **Antilock Brake System (ABS) Indicator**
- **Brake Indicator**
- **Brake Wear Indicator**
- **Charging Indicator**
- **Clogged Fuel Filter Indicator**
- **Constant Engine Speed (ADR) Indicator**
- **Coolant Low Indicator**
- **Electronic Stability Program (ESP) Indicator**
- **High Beam Indicator**
- **Low Fuel Indicator**
- **Malfunction Indicator Lamp (MIL)**
- **Multi-Function Indicator (LCD)**
- **Park Brake Indicator**
- **Seatbelt Indicator**
- **Traction Control (ASR) Indicator**
- **Traction Control (ASR) Malfunction Indicator**
- **Turn Signal (Right and Left) Indicators**
- **Washer Fluid Indicator**
- **Wait-To-Start Indicator**
- **Water-In-Fuel Indicator**



81328deb

Fig. 3 Gauges & Indicators

- | | |
|--|--|
| 1 - AIRBAG INDICATOR | 16 - SEATBELT INDICATOR |
| 2 - TACHOMETER | 17 - ABS INDICATOR |
| 3 - LEFT TURN INDICATOR | 18 - MULTI-FUNCTION INDICATOR PLUS/MINUS SWITCH PUSH BUTTONS |
| 4 - SPEEDOMETER | 19 - MULTI-FUNCTION INDICATOR (INCLUDES: CLOCK, GEAR SELECTOR INDICATOR, ODOMETER, TRIP ODOMETER, ENGINE OIL LEVEL DATA, AMBIENT TEMPERATURE INDICATOR [OPTIONAL], & ACTIVE SERVICE SYSTEM [ASSYST] ENGINE OIL MAINTENANCE INDICATOR [OPTIONAL]) |
| 5 - TRACTION CONTROL INDICATOR | 20 - MULTI-FUNCTION INDICATOR MODE (MILES [KILOMETERS]/TIME) SWITCH PUSH BUTTONS |
| 6 - RIGHT TURN INDICATOR | 21 - COOLANT LOW INDICATOR |
| 7 - ENGINE TEMPERATURE GAUGE | 22 - BRAKE INDICATOR |
| 8 - FUEL GAUGE | 23 - OIL LEVEL INDICATOR |
| 9 - WAIT-TO-START INDICATOR | 24 - BRAKE WEAR INDICATOR |
| 10 - WASHER FLUID INDICATOR (OPTIONAL) | 25 - WATER-IN-FUEL INDICATOR |
| 11 - CONSTANT ENGINE SPEED (ADR) INDICATOR (OPTIONAL) | 26 - CHARGING INDICATOR |
| 12 - LOW FUEL INDICATOR | 27 - HIGH BEAM INDICATOR |
| 13 - TRACTION CONTROL MALFUNCTION INDICATOR | 28 - PARK BRAKE INDICATOR |
| 14 - MALFUNCTION INDICATOR LAMP | 29 - FUEL FILTER CLOGGED INDICATOR |
| 15 - ELECTRONIC STABILITY PROGRAM (ESP) INDICATOR (OPTIONAL) | |

Except for the indications provided within the multi-function indicator LCD unit, each indicator in the EMIC is illuminated by a dedicated LED that is soldered onto the EMIC electronic circuit board. Cluster illumination is accomplished by dimmable LED back lighting, which illuminates the gauges for visibility when the exterior lighting is turned on. The cluster general illumination LED units are also soldered onto the EMIC electronic circuit board. The LED units are not available for service replacement and, if damaged or faulty, the entire EMIC must be replaced.

Hard wired circuitry connects the EMIC to the electrical system of the vehicle. These hard wired circuits are integral to the vehicle wire harnesses, which are routed throughout the vehicle and retained by many different methods. These circuits may be connected to each other, to the vehicle electrical system and to the EMIC through the use of a combination of soldered splices, splice block connectors, and many different types of wire harness terminal connectors and insulators. Refer to the appropriate wiring information. The wiring information includes wiring diagrams, proper wire and connector repair

procedures, further details on wire harness routing and retention, as well as pin-out and location views for the various wire harness connectors, splices and grounds.

The EMIC modules for this model are serviced only as complete units. The EMIC module cannot be adjusted or repaired. If a gauge, an LED indicator, the multi-function indicator LCD unit, an electronic tone generator, the electronic circuit board, the circuit board hardware, the cluster overlay, the cluster housing, the cluster hood, the cluster lens, or the cluster rear cover are damaged or faulty, the entire EMIC module must be replaced.

OPERATION

The ElectroMechanical Instrument Cluster (EMIC) is designed to allow the vehicle operator to monitor the conditions of many of the vehicle components and operating systems. The gauges, meters and indicators in the EMIC provide valuable information about the powertrain, fuel and emissions systems, cooling system, lighting systems, safety systems and many other convenience items. The EMIC is installed in the instrument panel so that all of these monitors can be easily viewed by the vehicle operator when driving, while still allowing relative ease of access for service. The microprocessor-based EMIC hardware and software uses various inputs to control the gauges and indicators visible on the face of the cluster. Some of these inputs are hard wired, but many are in the form of electronic messages that are transmitted by other electronic modules over the Controller Area Network (CAN) data bus network. (Refer to 8 - ELECTRICAL/ELECTRONIC CONTROL MODULES/COMMUNICATION - OPERATION).

The EMIC microprocessor smooths the input data using algorithms to provide gauge readings that are accurate, stable and responsive to operating conditions. These algorithms are designed to provide gauge readings during normal operation that are consistent with customer expectations. However, when abnormal conditions exist such as high coolant temperature, the algorithm can drive the gauge pointer to an extreme position and the microprocessor can sound a chime through the on-board audible tone generator to provide distinct visual and audible indications of a problem to the vehicle operator. The instrument cluster circuitry also provides audible turn signal and hazard warning support by emulating the "ticking" sound associated with a conventional electro-mechanical flasher using a contactless relay. The relay will also provide an indication of a turn signal failure by sounding at double the usual frequency. Each audible warning is provided to the vehicle operator to supplement a visual indication.

The EMIC circuitry operates on battery current received through a non-switched fused B(+) circuit, and on a fused ignition switch output circuit. The

EMIC circuitry is grounded through a ground circuit and take out of the frame wire harness with an eye-let terminal connector that is secured to a stud by a nut at a ground location on the dash panel just forward of the instrument cluster. Separate switched ground inputs from the key-in ignition switch and the front door jamb switches provide wake-up signals to the EMIC circuitry. This arrangement allows the EMIC to provide some features regardless of the ignition switch position, while other features will operate only with the ignition switch in the On position.

Proper diagnosis and testing of the EMIC, the CAN data bus, the data bus electronic message inputs to and outputs from the EMIC, as well as the retrieval or erasure of a Diagnostic Trouble Code (DTC) requires the use of a diagnostic scan tool. Refer to the appropriate diagnostic information. See the owner's manual in the vehicle glove box for more information on the features, use and operation of the EMIC.

GAUGES

All gauges receive battery current through the EMIC circuitry only when the instrument cluster detects the ignition switch is in the On position. With the ignition switch in the Off position, battery current is not supplied to any gauges and the EMIC circuitry is programmed to move all of the gauge needles back to the low end of their respective scales. Therefore, the gauges do not accurately indicate any vehicle condition unless the ignition switch is in the On position.

All of the EMIC gauges are air core magnetic units. Two fixed electromagnetic coils are located within each gauge. These coils are wrapped at right angles to each other around a movable permanent magnet. The movable magnet is suspended within the coils on one end of a pivot shaft, while the gauge needle is attached to the other end of the shaft. One of the coils has a fixed current flowing through it to maintain a constant magnetic field strength. Current flow through the second coil changes, which causes changes in its magnetic field strength. The current flowing through the second coil is changed by the EMIC circuitry in response to messages received over the CAN data bus. The gauge needle moves as the movable permanent magnet aligns itself to the changing magnetic fields created around it by the electromagnets.

Proper diagnosis and testing of the gauges, the CAN data bus and the electronic data bus message inputs to the EMIC that control each gauge require the use of a diagnostic scan tool. Refer to the appropriate diagnostic information. Specific operation details for each gauge may be found elsewhere in this service information.

INDICATORS

Indicators are located in various positions within the EMIC and are all connected to the EMIC electronic circuit board. The ambient temperature indicator (optional), brake indicator, brake wear indicator, charging indicator, coolant low indicator, high beam indicator, low fuel indicator, park brake indicator, seatbelt indicator, turn signal indicators, and washer fluid indicator operate based upon hard wired inputs to the EMIC. The airbag (SRS) indicator is normally controlled by a hard wired input from the Airbag Control Module (ACM); however, if the EMIC sees an abnormal or no input from the ACM, it will automatically turn the airbag indicator On until the hard wired input from the ACM has been restored. The Malfunction Indicator Lamp (MIL) is normally controlled by CAN data bus messages from the Engine Control Module (ECM); however, if the EMIC loses CAN data bus communication, the EMIC circuitry will automatically turn the MIL on until CAN data bus communication is restored. The EMIC uses CAN data bus messages from the ECM, the ACM, and the Controller Antilock Brake to control all of the remaining indicators.

The various EMIC indicators are controlled by different strategies; some receive battery feed from the EMIC circuitry and have a switched ground, while others are grounded through the EMIC circuitry and have a switched battery feed. However, all indicators are completely controlled by the EMIC microprocessor based upon various hard wired and electronic message inputs. Except for the indications provided by the multi-function indicator Liquid Crystal Display (LCD) unit, all indicators are illuminated at a fixed intensity, which is not affected by the selected illumination intensity of the EMIC general illumination lamps.

The hard wired indicator inputs may be diagnosed using conventional diagnostic methods. However, proper testing of the EMIC circuitry and the CAN bus message controlled indicators requires the use of a diagnostic scan tool. Refer to the appropriate diagnostic information. Specific details of the operation for each indicator may be found elsewhere in this service information.

CLUSTER ILLUMINATION

The EMIC has several general illumination lamps that are illuminated when the exterior lighting is turned on with the multi-function switch. The illumination intensity of these lamps is adjusted by a dimming level input received from the multi-function indicator "+" (plus) and "-" (minus) switch push buttons that extend through the lower edge of the cluster lens below the right end of the multi-function indicator. When the exterior lighting is turned Off, the display is illuminated at maximum brightness. When the exterior lighting is turned On and the

transmission gear selector is in the Park position, depressing the plus switch push button brightens the display lighting, and depressing the minus switch push button dims the display lighting. The EMIC also provides a Pulse-Width Modulated (PWM) panel lamps dimmer output that can be used to synchronize the illumination lighting levels of external illumination lamps (up to about 23 to 30 watts) with that of the EMIC.

The hard wired multi-function switch input and the EMIC panel lamps dimmer output may be diagnosed using conventional diagnostic methods. However, proper testing of the PWM control of the EMIC and the electronic dimming level inputs from the multi-function indicator push buttons requires the use of a diagnostic scan tool. Refer to the appropriate diagnostic information.

INPUT AND OUTPUT CIRCUITS

HARD WIRED INPUTS

The hard wired inputs to the EMIC include the following:

NOTE: Final approved circuit names were not yet available at the time this information was compiled.

- **Airbag Indicator Driver**
- **Ambient Temperature Sensor Signal (Optional)**
- **Brake Wear Indicator Sense**
- **Charging Indicator Driver**
- **Coolant Level Switch Sense**
- **Front Door Jamb Switch Sense**
- **Fuel Level Sensor Signal**
- **Fused B(+)**
- **Fused Ignition Switch Output**
- **High Beam Indicator Driver**
- **Key-In Ignition Switch Sense**
- **Left Turn Signal**
- **Park Brake Switch Sense**
- **Right Turn Signal**
- **Seat Belt Switch Sense**
- **Washer Fluid Switch Sense (Optional)**

Refer to the appropriate wiring information for additional details.

HARD WIRED OUTPUTS

The hard wired outputs of the EMIC include the following:

- **Engine Running Relay Control**
- **Panel Lamps Driver**

Refer to the appropriate wiring information for additional details.

GROUNDS

The EMIC receives and supplies a ground path to several switches and sensors through the following hard wired circuits:

- **Ambient Temperature Sensor Return (Optional)**
- **Fuel Level Sensor Return**
- **Ground**

Refer to the appropriate wiring information for additional details.

COMMUNICATION

The EMIC has provisions for the following communication circuits:

- **CAN Data Bus - High**
- **CAN Data Bus - Low**
- **Diagnostic Serial Communication Interface (SCI) Data Bus Line**

Refer to the appropriate wiring information for additional details.

DIAGNOSIS AND TESTING - INSTRUMENT CLUSTER

The hard wired inputs to and outputs from the instrument cluster may be diagnosed and tested using conventional diagnostic tools and procedures. Refer to the appropriate wiring information. The wiring information includes wiring diagrams, proper wire and connector repair procedures, details of wire harness routing and retention, connector pin-out information and location views for the various wire harness connectors, splices and grounds.

If the instrument cluster is completely inoperative, be certain to check the fused B(+) circuit fuses and wiring for the instrument cluster. If the cluster general illumination is inoperative, be certain to check the instrument lighting fuse and the input circuit to the instrument cluster from the exterior lighting circuitry of the multi-function switch on the steering column.

Conventional diagnostic methods may not prove conclusive in the diagnosis of the instrument cluster. In order to obtain conclusive testing of the instrument cluster, the Controller Area Network (CAN) data bus network and all of the electronic modules that provide inputs to or receive outputs from the instrument cluster must also be checked. The most reliable, efficient, and accurate means to diagnose the instrument cluster, the CAN data bus network, and the electronic modules that provide inputs to or receive outputs from the instrument cluster requires the use of a diagnostic scan tool and the appropriate diagnostic information. The diagnostic scan tool can provide confirmation that the CAN data bus network is functional, that all of the modules are sending and receiving the proper electronic messages over the CAN data bus, and that the instrument cluster is

receiving the proper hard wired inputs and responding with the proper hard wired outputs needed to perform its many functions.

WARNING: To avoid personal injury or death, on vehicles equipped with airbags, disable the supplemental restraint system before attempting any steering wheel, steering column, airbag, seat belt tensioner, or instrument panel component diagnosis or service. Disconnect and isolate the battery negative (ground) cable, then wait two minutes for the system capacitor to discharge before performing further diagnosis or service. This is the only sure way to disable the supplemental restraint system. Failure to take the proper precautions could result in accidental airbag deployment.

STANDARD PROCEDURE

CLUSTER PROGRAMMING

NOTE: After replacing the Instrument Cluster (IC) according to the service procedures, determine the optional equipment on the vehicle by accessing the sales code information using the Vehicle Identification Number (VIN) on DealerCONNECT.

(1) Using the DRBIII®, select **MISCELLANEOUS FUNCTIONS** in the Instrument Cluster (IC) section.

(2) Select **MODULE SERVICE REPLACEMENT**.

(3) Following the prompts on the DRBIII®, enter the correct parameters that are applicable to the vehicle. Use the sales code information and visual inspection to obtain the correct parameters.

CAUTION: Do not lock down the instrument cluster until the following steps are followed or the instrument cluster may be irreversibly damaged.

(4) After entering the proper parameters into the IC, turn the ignition switch to the OFF position for 30 seconds, then turn the ignition switch ON.

(5) Test drive the vehicle for at least 10 minutes before proceeding.

(6) Check ALL modules for any parameterization DTCs. If any parameterization DTCs are present, one or more parameters entered into the IC are incorrect. Verify all parameters entered using the sales code information and visual inspection of the vehicle.

(7) If the parameters entered are verified as correct and parameterization DTCs are still present, refer to the appropriate diagnostic information.

(8) If no parameterization DTCs are present, lock down the IC.

NOTE: Mileage will not be displayed until the IC has been locked down.

REMOVAL

WARNING: To avoid personal injury or death, on vehicles equipped with airbags, disable the supplemental restraint system before attempting any steering wheel, steering column, airbag, seat belt tensioner, or instrument panel component diagnosis or service. Disconnect and isolate the battery negative (ground) cable, then wait two minutes for the system capacitor to discharge before performing further diagnosis or service. This is the only sure way to disable the supplemental restraint system. Failure to take the proper precautions could result in accidental airbag deployment.

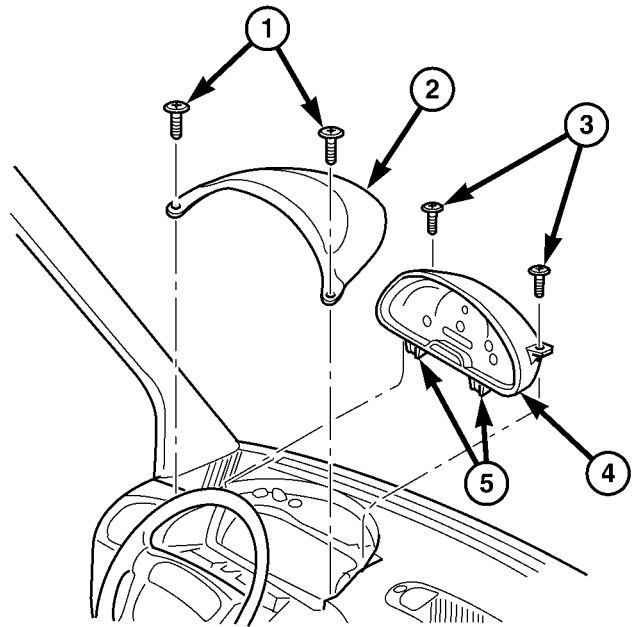
CAUTION: The following procedure is for replacement of an ineffective and unresponsive Instrument Cluster (IC) with a new unit. If the IC is ineffective or damaged but still responsive, it may be replaced using an automatic replacement procedure that will upload IC parameterization data from the existing IC to the diagnostic scan tool, then download that data to the new IC. Refer to the MISCELLANEOUS FUNCTIONS menu item under the IC module in the diagnostic scan tool, then select MODULE AUTO REPLACEMENT and follow the scan tool prompts to replace the IC. Do not lock down the IC until all of the steps are followed and completed or the new IC may be irreversibly damaged. This procedure initializes and configures the IC for certain optional equipment on the vehicle without the need for performing a separate cluster programming procedure. Failure to correctly parameterize the IC prior to it being electronically locked down will result in the IC being incorrectly and irreversibly configured for improper vehicle equipment options, which will require the IC be replaced again with another new and unused unit to resolve.

(1) Disconnect and isolate the battery negative cable.

(2) Remove the cluster bezel from the instrument panel. (Refer to 23 - BODY/INSTRUMENT PANEL/CLUSTER BEZEL - REMOVAL).

(3) Remove the cluster top cover from the instrument panel. (Refer to 23 - BODY/INSTRUMENT PANEL/TOP COVER - CLUSTER - REMOVAL).

(4) Remove the two screws that secure the instrument cluster mounting ears to the instrument panel base structure (Fig. 4).

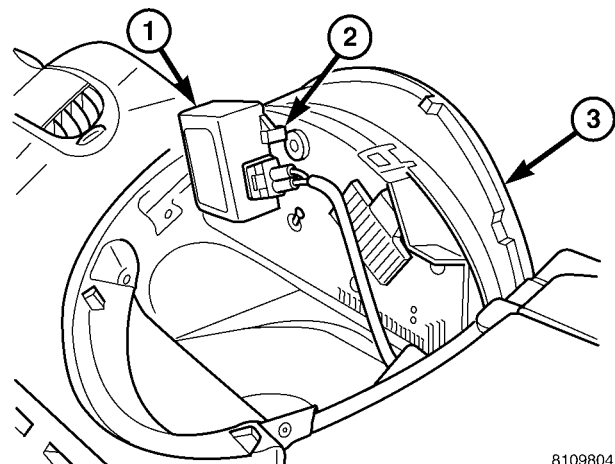


81098085

Fig. 4 Instrument Cluster Remove/Install

- 1 - SCREW (2)
- 2 - COVER
- 3 - SCREW (2)
- 4 - INSTRUMENT CLUSTER
- 5 - LOOP (2)

(5) Roll the top of the instrument cluster rearward far enough to access and release the latch that secures the Remote Keyless Entry (RKE)/immobilizer module to the back of the instrument cluster rear cover and disengage the module from the cluster (Fig. 5).



8109804b

Fig. 5 RKE/Immobilizer Module

- 1 - RKE/IMMOBILIZER MODULE
- 2 - LATCH
- 3 - INSTRUMENT CLUSTER

(6) Depress the release (Arrow A) and lift the lever arm (Arrow B) to disconnect each of the two frame wire harness connectors for the cluster from the connector receptacles on the back of the cluster housing (Fig. 6).

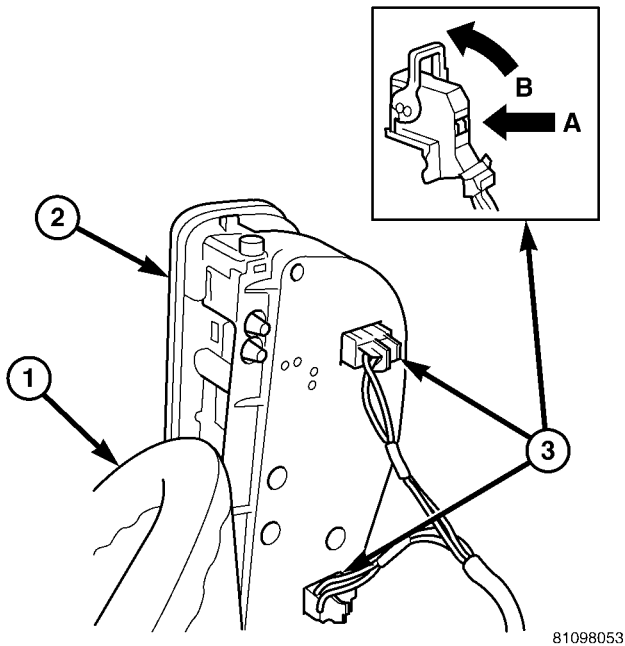


Fig. 6 Cluster Connectors

- 1 - STEERING WHEEL
- 2 - INSTRUMENT CLUSTER
- 3 - CONNECTOR (2)

(7) Lift the instrument cluster upward far enough to disengage the two molded plastic pivot loops integral to the base of the cluster hood from the two pairs of molded plastic pivot hooks that are integral to the top of the instrument panel base structure.

(8) Remove the instrument cluster from the instrument panel.

INSTALLATION

WARNING: To avoid personal injury or death, on vehicles equipped with airbags, disable the supplemental restraint system before attempting any steering wheel, steering column, airbag, seat belt tensioner, or instrument panel component diagnosis or service. Disconnect and isolate the battery negative (ground) cable, then wait two minutes for the system capacitor to discharge before performing further diagnosis or service. This is the only sure way to disable the supplemental restraint system. Failure to take the proper precautions could result in accidental airbag deployment.

- (1) Position the instrument cluster to the instrument panel.
- (2) Align the two molded plastic pivot loops integral to the base of the cluster hood between the two

pairs of molded plastic pivot hooks that are integral to the top of instrument panel base structure, then push downward on the top of the cluster until the loops snap into engagement with the hooks (Fig. 6).

(3) Roll the top of the instrument cluster rearward to access, reconnect, and latch the two frame wire harness connectors for the cluster to the connector receptacles on the back of the cluster housing.

(4) Engage and latch the Remote Keyless Entry (RKE)/immobilizer module to the back of the instrument cluster rear cover (Fig. 5)

(5) Roll the top of the instrument cluster forward to position the instrument cluster into the instrument panel.

(6) Install and tighten the two screws that secure the instrument cluster mounting ears to the instrument panel base structure (Fig. 4). Tighten the screws to 2 N·m (20 in. lbs.).

(7) Reinstall the cluster top cover onto the instrument panel. (Refer to 23 - BODY/INSTRUMENT PANEL/TOP COVER - CLUSTER - INSTALLATION).

(8) Reinstall the cluster bezel onto the instrument panel. (Refer to 23 - BODY/INSTRUMENT PANEL/CLUSTER BEZEL - INSTALLATION).

(9) Reconnect the battery negative cable.

CAUTION: If an ineffective and unresponsive Instrument Cluster (IC) has been replaced with a new unit, the new IC must be initialized and configured for certain optional equipment on the vehicle using a cluster programming procedure. (Refer to 8 - ELECTRICAL/INSTRUMENT CLUSTER - STANDARD PROCEDURE - CLUSTER PROGRAMMING). Failure to correctly perform this programming procedure (also referred to as parameterization) prior to the IC being electronically locked down will result in the IC being incorrectly and irreversibly configured for improper vehicle equipment options, which will require the IC be replaced again with another new and unused unit to resolve.

ABS INDICATOR

DESCRIPTION

An Anti-lock Brake System (ABS) indicator is standard equipment on all instrument clusters. The ABS indicator is located near the lower edge of the instrument cluster, to the right of the multi-function indicator display. The ABS indicator consists of the International Control and Display Symbol icon for "Failure of Anti-lock Braking System" imprinted within a rectangular cutout in the opaque layer of the instrument cluster overlay. The dark outer layer of the overlay prevents the indicator from being clearly visible when it is not illuminated. An amber

Light Emitting Diode (LED) behind the cutout in the opaque layer of the overlay causes the icon to appear silhouetted against an amber field through the translucent outer layer of the overlay when the indicator is illuminated from behind by the LED, which is soldered onto the instrument cluster electronic circuit board. The ABS indicator is serviced as a unit with the instrument cluster.

OPERATION

The ABS indicator gives an indication to the vehicle operator when the ABS or the electronic brake force distribution (EBV) systems are faulty or inoperative. This indicator is controlled by a transistor on the instrument cluster circuit board based upon cluster programming and electronic messages received by the cluster from the Controller Antilock Brake (CAB) over the Controller Area Network (CAN) data bus. The ABS indicator Light Emitting Diode (LED) is completely controlled by the instrument cluster logic circuit, and that logic will only allow this indicator to operate when the instrument cluster detects that the ignition switch is in the On position. Therefore, the LED will always be off when the ignition switch is in any position except On. The LED only illuminates when it is provided a path to ground by the instrument cluster transistor. The instrument cluster will turn on the ABS indicator for the following reasons:

- **Bulb Test** - Each time the ignition switch is turned to the On position the ABS indicator is illuminated by the cluster for about two seconds as a bulb test.
- **ABS Lamp-On Message** - Each time the cluster receives a lamp-on message from the CAB, the ABS indicator will be illuminated. The indicator remains illuminated until the cluster receives a lamp-off message from the CAB, or until the ignition switch is turned to the Off position, whichever occurs first.

The CAB continually monitors the ABS and EBV circuits and sensors to decide whether the systems are in good operating condition. The CAB then sends the proper lamp-on or lamp-off messages to the instrument cluster. If the CAB sends a lamp-on message after the bulb test, it indicates that the CAB has detected a system malfunction and/or that the ABS or EBV systems have become inoperative. The CAB will store a Diagnostic Trouble Code (DTC) for any malfunction it detects. For proper diagnosis of the ABS and EBV systems, the CAB, the CAN data bus, the electronic message inputs to the instrument cluster, or the instrument cluster circuitry that controls the ABS indicator, a diagnostic scan tool is required. Refer to the appropriate diagnostic information.

ADR INDICATOR

DESCRIPTION

A constant engine speed (ADR) indicator is standard equipment on all instrument clusters, but is only functional on vehicles equipped with the optional ADR switch. The ADR indicator is located near the lower edge of the instrument cluster, to the right of the multi-function indicator display. The ADR indicator consists of the text "ADR" imprinted within a rectangular cutout in the opaque layer of the instrument cluster overlay. The dark outer layer of the overlay prevents the indicator from being clearly visible when it is not illuminated. An amber Light Emitting Diode (LED) behind the cutout in the opaque layer of the overlay causes the text to appear silhouetted against an amber field through the translucent outer layer of the overlay when the indicator is illuminated from behind by the LED, which is soldered onto the instrument cluster electronic circuit board. The ADR indicator is serviced as a unit with the instrument cluster.

OPERATION

The constant engine speed (ADR) indicator gives an indication to the vehicle operator concerning the operating status of the constant engine speed (ADR) feature. The ADR indicator is controlled by a transistor on the instrument cluster circuit board based upon cluster programming and electronic messages received by the cluster from the Engine Control Module (ECM) over the Controller Area Network (CAN) data bus. The ADR indicator Light Emitting Diode (LED) is completely controlled by the instrument cluster logic circuit, and that logic will only allow this indicator to operate when the instrument cluster detects that the ignition switch is in the On position. Therefore, the LED will always be off when the ignition switch is in any position except On. The LED only illuminates when it is provided a path to ground by the instrument cluster transistor. The instrument cluster will turn on the traction control indicator for the following reasons:

- **Constant Engine Speed (ADR) Indicator Lamp-On Message** - Each time the cluster receives an ADR indicator lamp-on message from the ECM, the indicator will be illuminated. The indicator is illuminated when the ADR feature has been activated with the ADR switch, and is turned off when the ADR feature is deactivated with the ADR switch. The ADR indicator will be extinguished if the ADR feature is turned off because the park brake has been released or the vehicle is in motion. The ADR indicator will also be extinguished if the service brake pedal is depressed, but the ADR feature will automatically be restored and the indicator illuminated when the brake pedal is released. The indicator

remains illuminated until the cluster receives a lamp-off message from the ECM, or until the ignition switch is turned to the Off position, whichever occurs first.

The ECM continually monitors the constant engine speed (ADR) switch and electronic messages from the Controller Antilock Brake (CAB) concerning the status of the four wheel speed sensors, the park brake switch and the brake lamp switch to determine the correct operating mode for the ADR feature. The ECM then sends the proper lamp-on or lamp-off messages to the instrument cluster. See the owner's manual in the vehicle glove box for more information on the features, use, activation and deactivation of the constant engine speed (ADR) feature. For proper diagnosis of the ADR feature, the ECM, the CAB, the CAN data bus, or the electronic message inputs to the instrument cluster that control the ADR indicator, a diagnostic scan tool is required. Refer to the appropriate diagnostic information.

AIRBAG INDICATOR

DESCRIPTION

An airbag indicator is standard equipment on all instrument clusters. The airbag indicator is located near the left edge of the instrument cluster, next to the tachometer. The airbag indicator consists of a stencil-like cutout of the letters "SRS" in the opaque layer of the instrument cluster overlay. The dark outer layer of the overlay prevents the indicator from being clearly visible when it is not illuminated. A red Light Emitting Diode (LED) behind the cutout in the opaque layer of the overlay causes the "SRS" text to appear in red through the translucent outer layer of the overlay when the indicator is illuminated from behind by the LED, which is soldered onto the instrument cluster electronic circuit board. The airbag indicator is serviced as a unit with the instrument cluster.

OPERATION

The airbag (SRS) indicator gives an indication to the vehicle operator when the Airbag Control Module (ACM) has recorded a Diagnostic Trouble Code (DTC) for a Supplemental Restraint System (SRS) circuit or component malfunction. Such a DTC may indicate that the SRS is faulty or inoperative. The airbag indicator is controlled by a transistor on the instrument cluster circuit board based upon cluster programming and a hard wired input received by the cluster from the ACM. The airbag indicator Light Emitting Diode (LED) is completely controlled by the instrument cluster logic circuit, and that logic will only allow this indicator to operate when the instrument cluster detects that the ignition switch is in the On position. Therefore, the LED will always be off

when the ignition switch is in any position except On. The LED only illuminates when it is provided a path to ground by the instrument cluster transistor. The instrument cluster will turn on the airbag indicator for the following reasons:

- **Bulb Test** - Each time the ignition switch is turned to the On position the airbag indicator is illuminated for about four seconds. The entire four second bulb test is a function of the ACM.

- **Airbag Lamp-On Input** - Each time the cluster receives a lamp-on input from the ACM, the airbag indicator will be illuminated. The indicator can be flashed on and off, or illuminated solid, as dictated by the ACM input. For some DTC's, if the problem does not recur, the ACM will send a lamp-off input automatically. Other DTC's may require that a fault be repaired and the ACM be reset before a lamp-off input will be sent. For more information on the ACM and the DTC set and reset parameters, refer to 8 - ELECTRICAL/RESTRAINTS/AIRBAG CONTROL MODULE - OPERATION). The indicator remains illuminated until the cluster receives a lamp-off input from the ACM, or until the ignition switch is turned to the Off position, whichever occurs first.

- **Airbag Indicator Malfunction** - Following the seatbelt reminder function, each time the cluster detects a malfunction in the airbag (SRS) indicator or the airbag indicator circuit, the cluster will flash the seatbelt indicator on and off. The cluster will continue to flash the seatbelt indicator until the airbag indicator circuit fault is resolved, or until the ignition switch is turned to the Off position, whichever occurs first.

The ACM continually monitors the SRS circuits and sensors to decide whether the system is in good operating condition. The ACM then provides the proper lamp-on or lamp-off inputs to the instrument cluster. If the ACM provides a lamp-on input after the bulb test, it indicates that the ACM has detected a system malfunction and/or that the airbags and seat belt tensioners may not deploy when required, or may deploy when not required. The ACM will store a DTC for any malfunction it detects. The ACM input circuit to the instrument cluster can be diagnosed using conventional diagnostic tools and methods. For proper diagnosis of the SRS, the ACM, or the instrument cluster circuitry that controls the airbag indicator, a diagnostic scan tool is required. Refer to the appropriate diagnostic information.

AMBIENT TEMPERATURE INDICATOR

DESCRIPTION

An ambient temperature indicator is optional equipment on all instrument clusters. In vehicles so

equipped, the ambient temperature indication can be toggled with the clock indication on the right side of the multi-function indicator Liquid Crystal Display (LCD) located near the lower edge of the instrument cluster, directly below the speedometer. The ambient temperature indication consists of a numeric value with a "+" (plus) or "-" (minus) prefix, and the unit of measure is identified with the characters "°C" (Canadian vehicles only) or "°F" (United States vehicles only) located directly above the temperature indication. The indications of the ambient temperature indicator are not visible when the LCD is not illuminated. When illuminated the indications appear as dark characters and icons silhouetted against an amber field. When the exterior lighting is turned Off, the display is illuminated at maximum brightness. When the exterior lighting is turned On the display illumination level can be adjusted in concert with the cluster general illumination lighting using the "+" (plus) and "-" (minus) multi-function indicator push buttons. The ambient temperature indicator is serviced as a unit with the instrument cluster.

OPERATION

The optional ambient temperature indicator gives an indication to the vehicle operator of the outside air temperature. This indicator is controlled by the instrument cluster microprocessor based upon cluster programming and a hard wired input received by the cluster from the ambient temperature sensor. The ambient temperature indicator is completely controlled by the instrument cluster logic circuit, and that logic will allow this indicator to operate whenever the multi-function indicator Liquid Crystal Display (LCD) is activated. Therefore, the ambient temperature indicator remains functional regardless of the ignition switch position.

The vehicle operator can choose to have the ambient temperature indicator displayed instead of the clock information, but the clock and ambient temperature indicator cannot be displayed at the same time. The clock or ambient temperature indicator display option is selected using the multi-function indicator clock switch on the instrument cluster circuit board. This switch is actuated manually by depressing the clock switch push button that extends through the lower edge of the cluster lens below the left end of the multi-function indicator. Actuating this switch momentarily will toggle the display between the clock and ambient temperature indicator modes. Actuating this switch twice within about one second will cause the display to toggle, but then automatically revert to the originally selected mode after about twenty seconds.

The ambient temperature sensor located below the front bumper is a Negative Temperature Coefficient (NTC) thermistor. The internal resistance of the sen-

sor is reduced as the ambient temperature rises. The instrument cluster continually monitors the resistance through the sensor to determine the temperature value to be displayed. The current value is displayed immediately after the LCD is activated. The display value will remain static regardless of decreases in the sensor resistance (temperature rising) below vehicle speeds of 10 to 15 kilometers-per-hour (6 to 9 miles-per-hour). Decreases in the sensor resistance above 15 kilometers-per-hour (9 miles-per-hour) and increases the sensor resistance (temperature falling) regardless of vehicle speed are displayed subject to a sixty second delay.

The ambient temperature sensor is connected to the instrument cluster in series between the ambient temperature sensor return and sense circuits. The ambient temperature sensor and the return and sense circuits to the instrument cluster can be diagnosed using conventional diagnostic tools and methods. For proper diagnosis of the instrument cluster circuitry that controls the ambient temperature indicator, a diagnostic scan tool is required. Refer to the appropriate diagnostic information.

BRAKE INDICATOR

DESCRIPTION

A brake indicator is standard equipment on all instrument clusters. The brake indicator is located near the lower edge of the instrument cluster, to the left of the multi-function indicator display. In vehicles built for the United States market, the brake indicator consists of a stencil-like cutout of the word "BRAKE" in the opaque layer of the instrument cluster overlay. In vehicles built for the Canadian market, the brake indicator consists of the International Control and Display Symbol icon for "Brake Failure" imprinted within a rectangular cutout in the opaque layer of the instrument cluster overlay. In either case, the dark outer layer of the overlay prevents the indicator from being clearly visible when it is not illuminated. A red Light Emitting Diode (LED) behind the cutout in the opaque layer of the overlay causes the "BRAKE" text to appear in red, or the icon to appear silhouetted against a red field through the translucent outer layer of the overlay when the indicator is illuminated from behind by the LED, which is soldered onto the instrument cluster electronic circuit board. The brake indicator is serviced as a unit with the instrument cluster.

OPERATION

The brake indicator gives an indication to the vehicle operator when there are certain brake hydraulic system malfunctions as indicated by a low brake hydraulic fluid level condition, or when there is a problem in the electronic brake force distribution

(EBV) system. This indicator is controlled by a transistor on the instrument cluster circuit board based upon cluster programming, electronic messages received by the cluster from the Controller Antilock Brake (CAB) over the Controller Area Network (CAN) data bus, and a hard wired input from the brake fluid level switch. The brake indicator Light Emitting Diode (LED) is completely controlled by the instrument cluster logic circuit, and that logic will only allow this indicator to operate when the instrument cluster detects that the ignition switch is in the On position. Therefore, the LED will always be off when the ignition switch is in any position except On. The LED only illuminates when it is provided a path to ground by the instrument cluster transistor. The instrument cluster will turn on the brake indicator for the following reasons:

- **Bulb Test** - Each time the ignition switch is turned to the On position the brake indicator is illuminated by the instrument cluster for about two seconds as a bulb test.

- **Brake Fluid Level Switch Input** - Each time the cluster detects ground on the brake indicator signal circuit (brake fluid level switch closed = brake fluid level low) while the ignition switch is in the On position, the brake indicator is illuminated. The indicator remains illuminated until the brake signal indicator input to the cluster is an open circuit (brake fluid level switch open = brake fluid level okay), or until the ignition switch is turned to the Off position, whichever occurs first.

- **Electronic Brake Force Distribution (EBV) Indicator Lamp-On Message** - Each time the cluster receives a EBV indicator lamp-on message from the CAB, the indicator will be illuminated. The indicator remains illuminated until the cluster receives a lamp-off message from the CAB, or until the ignition switch is turned to the Off position, whichever occurs first.

The CAB continually monitors the EBV system circuits and sensors to decide whether the system is in good operating condition. The CAB then sends the proper lamp-on or lamp-off messages to the instrument cluster. If the CAB sends a lamp-on message after the bulb test, it indicates that the CAB has detected a system malfunction and that the EBV system has become inoperative. The CAB will store a Diagnostic Trouble Code (DTC) for any malfunction it detects.

The brake fluid level switch in the brake master cylinder provides a hard wired ground input to the instrument cluster circuitry through the brake indicator signal circuit whenever the fluid level in the brake master cylinder is low. The switch is connected in parallel between ground and the instrument cluster. The brake fluid level switch and the input circuit to the instrument cluster can be diagnosed using conventional diagnostic tools and methods. For proper

diagnosis of the instrument cluster circuitry that controls the brake indicator, a diagnostic scan tool is required. Refer to the appropriate diagnostic information.

BRAKE WEAR INDICATOR

DESCRIPTION

A brake wear indicator is standard equipment on all instrument clusters. The brake wear indicator is located near the lower edge of the instrument cluster, to the left of the multi-function indicator display. The brake wear indicator consists of the International Control and Display Symbol icon for "Worn Brake Linings" imprinted within a rectangular cutout in the opaque layer of the instrument cluster overlay. The dark outer layer of the overlay prevents the indicator from being clearly visible when it is not illuminated. An amber Light Emitting Diode (LED) behind the cutout in the opaque layer of the overlay causes the icon to appear silhouetted against an amber field through the translucent outer layer of the overlay when the indicator is illuminated from behind by the LED, which is soldered onto the instrument cluster electronic circuit board. The brake wear indicator is serviced as a unit with the instrument cluster.

OPERATION

The brake wear indicator gives an indication to the vehicle operator when the brake linings have reached their wear limits. This indicator is controlled by a transistor on the instrument cluster circuit board based upon cluster programming and a hard wired input from the four brake wear sensors, one at each wheel. The brake wear indicator Light Emitting Diode (LED) is completely controlled by the instrument cluster logic circuit, and that logic will only allow this indicator to operate when the instrument cluster detects that the ignition switch is in the On position. Therefore, the LED will always be off when the ignition switch is in any position except On. The LED only illuminates when it is provided a path to ground by the instrument cluster transistor. The instrument cluster will turn on the brake wear indicator for the following reasons:

- **Bulb Test** - Each time the ignition switch is turned to the On position the brake wear indicator is illuminated by the instrument cluster for about two seconds as a bulb test.

- **Brake Wear Sensor Input** - Each time the cluster detects ground on the brake wear sense circuit (brake wear sensor closed = brake lining wear limit exceeded) while the ignition switch is in the On position, the brake wear indicator is illuminated. The indicator remains illuminated until the brake wear sense input to the cluster is an open circuit (brake wear sensor open = brake lining wear within limits),

or until the ignition switch is turned to the Off position, whichever occurs first.

A brake wear sensor located at each wheel provides a hard wired ground input to the instrument cluster circuitry through the brake wear sense circuit whenever the brake linings for that wheel have exceeded their wear limits. The four normally open brake wear sensors are connected in parallel between ground and instrument cluster. The brake wear sensors and their input circuit to the instrument cluster can be diagnosed using conventional diagnostic tools and methods. For proper diagnosis of the instrument cluster circuitry that controls the brake wear indicator, a diagnostic scan tool is required. Refer to the appropriate diagnostic information.

CHARGING INDICATOR

DESCRIPTION

A charging indicator is standard equipment on all instrument clusters. The charging indicator is located near the lower edge of the instrument cluster, to the left of the multi-function indicator display. The charging indicator consists of the International Control and Display Symbol icon for "Battery Charging Condition" imprinted within a rectangular cutout in the opaque layer of the instrument cluster overlay. The dark outer layer of the overlay prevents the indicator from being clearly visible when it is not illuminated. A red Light Emitting Diode (LED) behind the cutout in the opaque layer of the overlay causes the icon to appear silhouetted against a red field through the translucent outer layer of the overlay when the indicator is illuminated from behind by the LED, which is soldered onto the instrument cluster electronic circuit board. The charging indicator is serviced as a unit with the instrument cluster.

OPERATION

The charging indicator gives an indication to the vehicle operator when the electrical system voltage is too low. This indicator is controlled by a transistor on the instrument cluster circuit board based upon cluster programming and a hard wired input from the generator. The charging indicator Light Emitting Diode (LED) is completely controlled by the instrument cluster logic circuit, and that logic will only allow this indicator to operate when the instrument cluster detects that the ignition switch is in the On position. Therefore, the LED will always be off when the ignition switch is in any position except On. The LED only illuminates when it is provided a path to ground by the instrument cluster transistor. The instrument cluster will turn on the charging indicator for the following reasons:

- **Bulb Test** - Each time the ignition switch is turned to the On position with the engine not run-

ning the charging indicator is illuminated by the instrument cluster as a bulb test.

- **Generator Input** - Each time the cluster detects that the voltage of the generator input is 12.7 volts or lower while the engine is running, the charging indicator will be illuminated. The indicator remains illuminated until the cluster detects that the voltage of the generator input is above 12.7 volts, or until the ignition switch is turned to the Off position, whichever occurs first.

The generator provides a hard wired input to the instrument cluster circuitry on the engine running (D+) circuit. If the instrument cluster turns on the indicator while the engine is running, it may indicate that the charging system requires service. The generator input circuit to the instrument cluster can be diagnosed using conventional diagnostic tools and methods. For proper diagnosis of the charging system, or the instrument cluster circuitry that controls the charging indicator, a diagnostic scan tool is required. Refer to the appropriate diagnostic information.

CLOCK

DESCRIPTION

An electronic digital clock is standard equipment on all instrument clusters. In vehicles equipped with the optional ambient temperature indicator, the clock indication can be toggled with the ambient temperature indication on the right side of the multi-function indicator Liquid Crystal Display (LCD) located near the lower edge of the instrument cluster, directly below the speedometer. The clock provides a 12 hour-based, digital indication of the current hours and minutes. The indications of the clock are not visible when the LCD is not illuminated. When illuminated the indications appear as dark characters silhouetted against an amber field. When the exterior lighting is turned Off, the display is illuminated at maximum brightness. When the exterior lighting is turned On the display illumination level can be adjusted in concert with the cluster general illumination lighting using the "+" (plus) and "-" (minus) multi-function indicator push buttons. The clock is serviced as a unit with the instrument cluster.

OPERATION

The clock gives an indication to the vehicle operator of the current time. The electronic digital clock is controlled by the instrument cluster microprocessor based upon cluster programming. The clock display is completely controlled by the instrument cluster logic circuit, and that logic will only allow this indication to be viewed when the multi-function indicator Liquid Crystal Display (LCD) is activated. However, the

clock remains functional regardless of the ignition switch position.

The vehicle operator can choose to have the optional ambient temperature indicator displayed instead of the clock information, but the clock and ambient temperature indicator cannot be displayed at the same time. The clock or ambient temperature indicator display option is selected using the multi-function indicator clock switch on the instrument cluster circuit board. This switch is actuated manually by depressing the clock switch push button that extends through the lower edge of the cluster lens below the left end of the multi-function indicator. Actuating this switch momentarily will toggle the display between the clock and ambient temperature indicator modes. Actuating this switch twice within about one second will cause the display to toggle, but then automatically revert to the originally selected mode after about twenty seconds.

See the owner's manual in the vehicle glove box for more information on the features, use, operation and setting procedures for the clock. For proper testing of the instrument cluster circuitry that controls the clock functions, a diagnostic scan tool is required. Refer to the appropriate diagnostic information.

COOLANT LOW INDICATOR

DESCRIPTION

A coolant low indicator is standard equipment on all instrument clusters. The coolant low indicator is located near the lower edge of the instrument cluster, to the left of the multi-function indicator display. The coolant low indicator consists of the International Control and Display Symbol icon for "Low Engine Coolant" imprinted within a rectangular cutout in the opaque layer of the instrument cluster overlay. The dark outer layer of the overlay prevents the indicator from being clearly visible when it is not illuminated. A red Light Emitting Diode (LED) behind the cutout in the opaque layer of the overlay causes the icon to appear silhouetted against a red field through the translucent outer layer of the overlay when the indicator is illuminated from behind by the LED, which is soldered onto the instrument cluster electronic circuit board. The coolant low indicator is serviced as a unit with the instrument cluster.

OPERATION

The coolant low indicator gives an indication to the vehicle operator when the engine coolant level is low. This indicator is controlled by a transistor on the instrument cluster circuit board based upon cluster programming and a hard wired input received by the cluster from the engine coolant level switch. The coolant low indicator Light Emitting Diode (LED) is completely controlled by the instrument cluster logic

circuit, and that logic will only allow this indicator to operate when the instrument cluster detects that the ignition switch is in the On position. Therefore, the LED will always be off when the ignition switch is in any position except On. The LED only illuminates when it is provided a path to ground by the instrument cluster transistor. The instrument cluster will turn on the coolant low indicator for the following reasons:

- **Bulb Test** - Each time the ignition switch is turned to the On position the coolant low indicator is illuminated for about two seconds as a bulb test.

- **Engine Coolant Level Switch Input** - Each time the cluster detects an appropriate input on the low coolant fluid level sense circuit (engine coolant level switch resistance low = engine coolant level low) while the ignition switch is in the On position, the coolant low indicator will be illuminated. The indicator remains illuminated until the low coolant fluid level sense input to the cluster changes (engine coolant level switch resistance high = engine coolant level full), or until the ignition switch is turned to the Off position, whichever occurs first. The engine coolant level switch also features a diagnostic resistor connected in parallel between the switch input and output to provide the cluster with verification that the low coolant fluid level sense circuit is not open or shorted.

The engine coolant level switch integral to the coolant bottle provides a hard wired input to the instrument cluster circuitry through the low coolant fluid level sense circuit. The engine coolant level switch and the low coolant fluid level sense circuit to the instrument cluster can be diagnosed using conventional diagnostic tools and methods. For proper diagnosis of the instrument cluster circuitry that controls the coolant low indicator, a diagnostic scan tool is required. Refer to the appropriate diagnostic information.

ENGINE TEMPERATURE GAUGE

DESCRIPTION

An engine coolant temperature gauge is standard equipment on all instrument clusters. The engine coolant temperature gauge is located in the upper right corner of the instrument cluster, to the right of the speedometer. The engine coolant temperature gauge consists of a movable gauge needle or pointer controlled by the instrument cluster circuitry and a fixed 45 degree scale on the cluster overlay that reads left-to-right from 120° C to 40° C for Canadian vehicles, or from 250° F to 110° F for United States vehicles. An International Control and Display Symbol icon for "Engine Coolant Temperature" is located

on the cluster overlay, directly below the high end of the scale. Just to the right of the icon, the nomenclature “°C” or “°F” confirms the unit of measure for the gauge readings.

The engine coolant temperature gauge graphics are white against a black field, except for a single red graduation at the far left (high) end of the gauge scale, making them clearly visible within the instrument cluster in daylight. When illuminated from behind by the panel lamps dimmer controlled cluster illumination lighting with the exterior lamps turned On, the white graphics appear amber and the red graphics appear red. The orange gauge needle is internally illuminated. Gauge illumination is provided by Light Emitting Diode (LED) units soldered onto the instrument cluster electronic circuit board. The engine coolant temperature gauge is serviced as a unit with the instrument cluster.

OPERATION

The engine coolant temperature gauge gives an indication to the vehicle operator of the engine coolant temperature. This gauge is controlled by the instrument cluster circuit board based upon cluster programming and electronic messages received by the cluster from the Engine Control Module (ECM) over the Controller Area Network (CAN) data bus. The engine coolant temperature gauge is an air core magnetic unit that receives battery current on the instrument cluster electronic circuit board when the instrument cluster detects that the ignition switch is in the On position. The cluster is programmed to move the gauge needle back to the low end of the scale after the ignition switch is turned to the Off position. The instrument cluster circuitry controls the gauge needle position and provides the following features:

- **Engine Temperature Normal Message** - Each time the cluster receives a message from the ECM indicating the engine coolant temperature is within the normal operating range [up to about 120° C (250° F)], the gauge needle is moved to the actual relative temperature position on the gauge scale.

- **Engine Temperature High Message** - Each time the cluster receives a message from the ECM indicating the engine coolant temperature is high [above about 120° C (250° F)] the gauge needle is moved into the red warning zone on the gauge scale.

The ECM continually monitors the engine coolant temperature sensor to determine the engine operating temperature. The ECM then sends the proper engine coolant temperature messages to the instrument cluster. If the instrument cluster moves the engine coolant temperature gauge needle to red area of the gauge scale, it may indicate that the engine or the engine cooling system require service. For proper diagnosis of the engine coolant temperature sensor, the ECM, the CAN data bus, the electronic message

inputs to the instrument cluster, or the instrument cluster circuitry that controls the engine coolant temperature gauge, a diagnostic scan tool is required. Refer to the appropriate diagnostic information.

ESP INDICATOR

DESCRIPTION

An Electronic Stability Program (ESP) indicator is standard equipment on all instrument clusters, but is only functional on vehicles equipped with the optional ESP system. The ESP indicator is located near the lower edge of the instrument cluster, to the right of the multi-function indicator display. The ESP indicator consists of a stencil-like cutout of the text “ESP” in the opaque layer of the instrument cluster overlay. The dark outer layer of the overlay prevents the indicator from being clearly visible when it is not illuminated. An amber Light Emitting Diode (LED) behind the cutout in the opaque layer of the overlay causes the text to appear in amber through the translucent outer layer of the overlay when the indicator is illuminated from behind by the LED, which is soldered onto the instrument cluster electronic circuit board. The ESP indicator is serviced as a unit with the instrument cluster.

OPERATION

The ESP indicator gives an indication to the vehicle operator when the ESP system is faulty or inoperative. This indicator is controlled by a transistor on the instrument cluster circuit board based upon cluster programming and electronic messages received by the cluster from the Controller Antilock Brake (CAB) over the Controller Area Network (CAN) data bus. The ESP indicator Light Emitting Diode (LED) is completely controlled by the instrument cluster logic circuit, and that logic will only allow this indicator to operate when the instrument cluster detects that the ignition switch is in the On position. Therefore, the LED will always be off when the ignition switch is in any position except On. The LED only illuminates when it is provided a path to ground by the instrument cluster transistor. The instrument cluster will turn on the ESP indicator for the following reasons:

- **Bulb Test** - Each time the ignition switch is turned to the On position the ESP indicator is illuminated by the cluster for about two seconds as a bulb test.

- **ESP Lamp-On Message** - Each time the cluster receives a lamp-on message from the CAB, the ESP indicator will be illuminated. The indicator remains illuminated until the cluster receives a lamp-off message from the CAB, or until the ignition switch is turned to the Off position, whichever occurs first.

The CAB continually monitors the ESP circuits and sensors to decide whether the system is in good operating condition. The CAB then sends the proper lamp-on or lamp-off messages to the instrument cluster. If the CAB sends a lamp-on message after the bulb test, it indicates that the CAB has detected a system malfunction and/or that the ESP system has become inoperative. The CAB will store a Diagnostic Trouble Code (DTC) for any malfunction it detects. For proper diagnosis of the ESP system, the CAB, the CAN data bus, the electronic message inputs to the instrument cluster, or the instrument cluster circuitry that controls the ESP indicator, a diagnostic scan tool is required. Refer to the appropriate diagnostic information.

FUEL FILTER CLOGGED INDICATOR

DESCRIPTION

A fuel filter clogged indicator is standard equipment on all instrument clusters. The fuel filter clogged indicator is located near the left edge of the instrument cluster, next to the tachometer. The fuel filter clogged indicator consists of the International Control and Display Symbol icon for "Fuel Filter" imprinted within a rectangular cutout in the opaque layer of the instrument cluster overlay. The dark outer layer of the overlay prevents the indicator from being clearly visible when it is not illuminated. An amber Light Emitting Diode (LED) behind the cutout in the opaque layer of the overlay causes the icon to appear silhouetted against an amber field through the translucent outer layer of the overlay when the indicator is illuminated from behind by the LED, which is soldered onto the instrument cluster electronic circuit board. The fuel filter clogged indicator is serviced as a unit with the instrument cluster.

OPERATION

The fuel filter clogged indicator gives an indication to the vehicle operator when the pressure in the fuel system is low, which could indicate that the fuel filter is clogged. This indicator is controlled by a transistor on the instrument cluster circuit board based upon cluster programming and electronic messages received by the cluster from the Engine Control Module (ECM) over the Controller Area Network (CAN) data bus. The fuel filter clogged indicator Light Emitting Diode (LED) is completely controlled by the instrument cluster logic circuit, and that logic will only allow this indicator to operate when the instrument cluster detects that the ignition switch is in the On position. Therefore, the LED will always be off when the ignition switch is in any position except On. The LED only illuminates when it is provided a

path to ground by the instrument cluster transistor. The instrument cluster will turn on the fuel filter clogged indicator for the following reasons:

- **Bulb Test** - Each time the ignition switch is turned to the On position the fuel filter clogged indicator is illuminated by the cluster for about two seconds as a bulb test.

- **Fuel Filter Clogged Lamp-On Message** - Each time the cluster receives a lamp-on message from the ECM, the fuel filter clogged indicator will be illuminated. The indicator remains illuminated until the cluster receives a lamp-off message from the ECM, or until the ignition switch is turned to the Off position, whichever occurs first.

The ECM continually monitors the low fuel pressure sensor located at the inlet of the high pressure fuel pump to decide whether the fuel system is in good operating condition. The ECM then sends the proper lamp-on or lamp-off messages to the instrument cluster. If the ECM sends a lamp-on message after the bulb test, it indicates that the ECM has detected a low pressure condition in the fuel system, which could result from a clogged fuel filter or from any other restrictions in the fuel delivery system. The ECM will store a Diagnostic Trouble Code (DTC) for any malfunction it detects. For proper diagnosis of the low fuel pressure sensor, the ECM, the CAN data bus, the electronic message inputs to the instrument cluster, or the instrument cluster circuitry that controls the fuel filter clogged indicator, a diagnostic scan tool is required. Refer to the appropriate diagnostic information.

FUEL GAUGE

DESCRIPTION

A fuel gauge is standard equipment on all instrument clusters. The fuel gauge is located in the lower right corner of the instrument cluster, to the right of the speedometer. The fuel gauge consists of a movable gauge needle or pointer controlled by the instrument cluster circuitry and a fixed 45 degree scale on the cluster overlay that reads left-to-right from "F" (or Full) to "E" (or Empty). An International Control and Display Symbol icon for "Fuel" is located on the cluster overlay, directly to the left of the low end of the scale.

The fuel gauge graphics are white against a black field, making them clearly visible within the instrument cluster in daylight. When illuminated from behind by the panel lamps dimmer controlled cluster illumination lighting with the exterior lamps turned On, the white graphics appear amber. The orange gauge needle is internally illuminated. Gauge illumination is provided by Light Emitting Diode (LED) units soldered onto the instrument cluster electronic

circuit board. The fuel gauge is serviced as a unit with the instrument cluster.

OPERATION

The fuel gauge gives an indication to the vehicle operator of the level of fuel in the fuel tank. This gauge is controlled by the instrument cluster circuit board based upon cluster programming and a hard wired input received by the cluster from the fuel level sensor in the fuel tank. The fuel gauge is an air core magnetic unit that receives battery current on the instrument cluster electronic circuit board when the instrument cluster detects that the ignition switch is in the On position. The cluster is programmed to move the gauge needle back to the low end of the scale after the ignition switch is turned to the Off position. The instrument cluster circuitry controls the gauge needle position and provides the following features:

- **Fuel Level Sensor Input (At Ignition On)** - When the cluster detects the ignition switch has been turned to the On position, the cluster moves the gauge needle to the proper relative position on the gauge scale as signaled by the fuel level sensor without any electronic damping.

- **Fuel Level Sensor Input (After Ignition On)** - After the ignition switch has been turned to the On position, the cluster applies an algorithm to the input from the fuel level sensor to electronically dampen gauge needle movement against the negative effect that fuel sloshing within the fuel tank can have on accurate gauge readings.

- **Fuel Level Sensor Input Open** - If the fuel level sensor input to the instrument cluster is an open circuit, the cluster will move the fuel gauge needle to the "E" (Empty) position on the gauge scale, but the low fuel indicator will not be illuminated.

The fuel level sensor in the fuel tank provides a hard wired input to the instrument cluster circuitry through the fuel level sense circuit. The fuel level sensor is a potentiometer that changes resistance according to the fuel level. The instrument cluster applies a fuel tank characteristic curve and fuel tank reserve valve setting to the fuel level sensor input, which must be configured when the cluster is initialized. These characteristics determine the algorithm the cluster uses to display the fuel level data on the fuel gauge and the control for the low fuel warning indicator. As the fuel level decreases, the resistance through the fuel level sensor increases. The fuel level sensor and the fuel level sense circuit to the instrument cluster can be diagnosed using conventional diagnostic tools and methods. For proper diagnosis of the instrument cluster circuitry that controls the fuel gauge, a diagnostic scan tool is required. Refer to the appropriate diagnostic information.

GEAR SELECTOR INDICATOR

DESCRIPTION

An electronic automatic transmission gear selector indicator is standard equipment on all instrument clusters. The gear selector indicator information is displayed in the center of the multi-function indicator Liquid Crystal Display (LCD) located near the lower edge of the instrument cluster, directly below the speedometer. The gear selector indicator displays the following characters as they are selected: "P," "R," "N," "D," "4," "3," "2," and "1." Respectively, these characters represent the currently selected park, reverse, neutral, drive, fourth gear, third gear, second gear, and first gear positions of the transmission gear selector lever on the instrument panel.

The indications of the gear selector indicator are not visible unless the multi-function indicator LCD is illuminated and the engine is running. When illuminated, each indication appears as a dark character silhouetted against an amber field. When the exterior lighting is turned Off, the display is illuminated at maximum brightness. When the exterior lighting is turned On, the display illumination level can be adjusted in concert with the cluster general illumination lighting using the "+" (plus) and "-" (minus) multi-function indicator push buttons. The gear selector indicator is serviced as a unit with the instrument cluster.

OPERATION

The electronic gear selector indicator gives an indication to the vehicle operator of the transmission gear that is currently selected with the automatic transmission gear selector lever. This indicator is controlled by the instrument cluster circuit board based upon cluster programming and electronic messages received from the Transmission Control Module (TCM) over the Controller Area Network (CAN) data bus. The gear selector indicator information is displayed by the multi-function indicator Liquid Crystal Display (LCD) unit on the instrument cluster electronic circuit board. The multi-function indicator LCD is completely controlled by the instrument cluster logic circuit, and that logic will only allow the gear selector indicator information to be displayed when the instrument cluster detects that the ignition switch is in the On position. Therefore, the gear selector indicator will always be off when the ignition switch is in any position except On.

The TCM continually monitors the transmission range sensor, then sends the proper gear selector indicator position messages to the instrument cluster. For proper diagnosis of the transmission range sensor, the TCM, the CAN data bus, or the electronic message inputs to the instrument cluster that control the gear selector indicator, a diagnostic scan tool is

required. Refer to the appropriate diagnostic information.

HIGH BEAM INDICATOR

DESCRIPTION

A high beam indicator is standard equipment on all instrument clusters. The high beam indicator is located near the lower edge of the instrument cluster, to the left of the multi-function indicator display. The high beam indicator consists of the International Control and Display Symbol icon for "High Beam" imprinted within a rectangular cutout in the opaque layer of the instrument cluster overlay. The dark outer layer of the overlay prevents the indicator from being clearly visible when it is not illuminated. A blue Light Emitting Diode (LED) behind the cutout in the opaque layer of the overlay causes the icon to appear silhouetted against a blue field through the translucent outer layer of the overlay when the indicator is illuminated from behind by the LED, which is soldered onto the instrument cluster electronic circuit board. The high beam indicator is serviced as a unit with the instrument cluster.

OPERATION

The high beam indicator gives an indication to the vehicle operator whenever the headlamp high beams are illuminated. This indicator is controlled by a transistor on the instrument cluster circuit board based upon cluster programming and a hard wired input from the multi-function switch. The high beam indicator Light Emitting Diode (LED) is completely controlled by the instrument cluster logic circuit, and that logic will allow this indicator to operate whenever the instrument cluster receives battery current on the fused B(+) circuit. Therefore, the LED can be illuminated regardless of the ignition switch position. The LED only illuminates when it is provided a path to ground by the instrument cluster transistor. The instrument cluster will turn on the high beam indicator for the following reasons:

- **Bulb Test** - Each time the ignition switch is turned to the On position the high beam indicator is illuminated by the cluster for about two seconds as a bulb test.
- **High Beams On Input** - Each time the cluster receives a high beam headlamps-on input from the multi-function switch, the high beam indicator will be illuminated. The indicator remains illuminated until the cluster receives a high beam headlamps-off input from the multi-function switch.

The instrument cluster continually monitors the multi-function switch input to determine whether the high beam indicator should be illuminated or extinguished. The multi-function switch and the multi-function switch input circuit to the instrument

cluster can be diagnosed using conventional diagnostic tools and methods. For proper diagnosis of the instrument cluster circuitry that controls the high beam indicator, a diagnostic scan tool is required. Refer to the appropriate diagnostic information.

LOW FUEL INDICATOR

DESCRIPTION

A low fuel indicator is standard equipment on all instrument clusters. The low fuel indicator is located directly below the low end of the fuel gauge scale. The low fuel indicator consists of a small triangular cutout in the opaque layer of the instrument cluster overlay. The dark outer layer of the overlay prevents the indicator from being clearly visible when it is not illuminated. An amber Light Emitting Diode (LED) behind the cutout in the opaque layer of the overlay causes the triangle to appear in amber through the translucent outer layer of the overlay when the indicator is illuminated from behind by the LED, which is soldered onto the instrument cluster electronic circuit board. The low fuel indicator is serviced as a unit with the instrument cluster.

OPERATION

The low fuel indicator gives an indication to the vehicle operator when the level of fuel in the fuel tank becomes low. This indicator is controlled by a transistor on the instrument cluster circuit board based upon cluster programming and a hard wired input received by the cluster from the fuel level sensor in the fuel tank. The low fuel indicator Light Emitting Diode (LED) is completely controlled by the instrument cluster logic circuit, and that logic will only allow this indicator to operate when the instrument cluster detects that the ignition switch is in the On position. Therefore, the LED will always be off when the ignition switch is in any position except On. The LED only illuminates when it is provided a path to ground by the instrument cluster transistor. The instrument cluster will turn on the low fuel indicator for the following reasons:

- **Bulb Test** - Each time the ignition switch is turned to the On position the low fuel indicator is illuminated for about two seconds as a bulb test.
- **Fuel Level Sensor Input** - Each time the cluster receives an input from the fuel level sensor indicating that the fuel level has reached about 12 liters (3 gallons) or less, the low fuel indicator is illuminated. The indicator remains illuminated until the cluster receives an input from the fuel level sensor indicating that the fuel level is above 12 liters (3 gallons), or until the ignition switch is turned to the Off position, whichever occurs first.

The fuel level sensor in the fuel tank provides a hard wired input to the instrument cluster circuitry

through the fuel level sense circuit. The fuel level sensor is a potentiometer that changes resistance according to the fuel level. As the fuel level decreases, the resistance through the fuel level sensor increases. The instrument cluster applies a fuel tank characteristic curve and fuel tank reserve valve setting to the fuel level sensor input, which must be configured when the cluster is initialized. These characteristics determine the algorithm the cluster uses to display the fuel level data on the fuel gauge and the control for the low fuel warning indicator. The fuel level sensor and the fuel level sense circuit to the instrument cluster can be diagnosed using conventional diagnostic tools and methods. For proper diagnosis of the instrument cluster circuitry that controls the fuel gauge, a diagnostic scan tool is required. Refer to the appropriate diagnostic information.

LOW OIL LEVEL INDICATOR

DESCRIPTION

A low oil level indicator is standard equipment on all instrument clusters. The low oil level indicator is located near the lower edge of the instrument cluster, to the left of the multi-function indicator display. The low oil level indicator consists of the International Control and Display Symbol icon for "Engine Oil" imprinted within a rectangular cutout in the opaque layer of the instrument cluster overlay. The dark outer layer of the overlay prevents the indicator from being clearly visible when it is not illuminated. A red Light Emitting Diode (LED) behind the cutout in the opaque layer of the overlay causes the icon to appear silhouetted against a red field through the translucent outer layer of the overlay when the indicator is illuminated from behind by the LED, which is soldered onto the instrument cluster electronic circuit board. The low oil level indicator is serviced as a unit with the instrument cluster.

OPERATION

The low oil level indicator gives an indication to the vehicle operator when the engine oil level is low. This indicator is controlled by a transistor on the instrument cluster electronic circuit board based upon cluster programming and electronic messages received by the cluster from the Engine Control Module (ECM) over the Controller Area Network (CAN) data bus. The low oil level indicator Light Emitting Diode (LED) is completely controlled by the instrument cluster logic circuit, and that logic will only allow this indicator to operate when the instrument cluster detects that the ignition switch is in the On position. Therefore, the LED will always be off when the ignition switch is in any position except On. The LED only illuminates when it is provided a path to

ground by the instrument cluster transistor. The instrument cluster will turn on the low oil level indicator for the following reasons:

- **Bulb Test** - Each time the ignition switch is turned to the On position the low oil level indicator is illuminated for about two seconds as a bulb test.

- **Engine Oil Level Low Message** - Once the engine has been started, each time the cluster receives a message from the ECM indicating that the engine oil level is at or near the "Minimum" mark on the dipstick, the low oil level indicator is illuminated. The indicator remains illuminated briefly at first, but will remain illuminated for longer periods as subsequent messages indicate that the oil level has dropped further. Eventually, the indicator will remain illuminated solid until the engine oil level is corrected, or until the ignition switch is turned to the Off position, whichever occurs first.

The instrument cluster also supplements the oil level indicator by displaying an engine oil icon along with alpha-numeric messages in the multi-function indicator Liquid Crystal Display (LCD) advising the vehicle operator how much oil is required to correct the engine oil level, and when the "Maximum" engine oil level has been exceeded. See the owner's manual in the vehicle glove box for more information on this feature.

The ECM continually monitors the engine oil level and temperature sensor to determine the engine oil level. The ECM then sends the proper engine oil level messages to the instrument cluster. If the instrument cluster turns on the indicator after the bulb test, even after the engine oil level is sufficient, it may indicate that the engine or the engine oiling system requires service. For proper diagnosis of the engine oil level and temperature sensor, the ECM, the CAN data bus, or the electronic message inputs to the instrument cluster that control the low oil level indicator, a diagnostic scan tool is required. Refer to the appropriate diagnostic information.

MAINTENANCE INDICATOR

DESCRIPTION

An Active Service SYSTem (ASSYST) engine oil maintenance indicator is optional equipment on all instrument clusters. In vehicles so equipped, a second, dedicated ASSYST microprocessor is integral to the cluster electronic circuit board. The ASSYST indications are displayed and can be toggled with the clock indication on the right side of the multi-function indicator Liquid Crystal Display (LCD) located near the lower edge of the instrument cluster, directly below the speedometer. The ASSYST displays include numeric values combined with several icons to indicate actual engine oil level, and reminders in time (days) or distance (miles or kilometers) until the

next required engine oil maintenance is anticipated. ASSYST also provides several audible indications using the electronic tone generator on the instrument cluster circuit board to supplement these visual displays.

The indications of the ASSYST engine oil maintenance indicator are not visible when the LCD is not illuminated. When illuminated, the ASSYST indications appear as dark characters and icons silhouetted against an amber field. When the exterior lighting is turned Off, the display is illuminated at maximum brightness. When the exterior lighting is turned On, the display illumination level can be adjusted in concert with the cluster general illumination lighting using the “+” (plus) and “-” (minus) multi-function indicator push buttons. The ASSYST engine oil maintenance indicator is serviced as a unit with the instrument cluster.

OPERATION

The ASSYST engine oil maintenance indicator microprocessor uses numerous criteria besides time and mileage to evaluate vehicle maintenance requirements. Time data is taken from the electronic digital clock integral to the instrument cluster. Vehicle distance data is obtained from the Controller Antilock Brake (CAB) over the Controller Area Network (CAN) data bus. Coolant temperature, engine oil temperature, engine oil level, engine oil quality, engine speed, and engine load data are obtained from the Engine Control Module (ECM) over the CAN data bus. Using all of the available data and internal programming, the ASSYST microprocessor then calculates the estimated time and distance to the next required engine oil maintenance interval. The ASSYST uses the multi-function indicator LCD to display that data and, when necessary, issues audible alerts to the vehicle operator through the electronic tone generator on the cluster circuit board.

See the owner’s manual in the vehicle glove box for more information on the features, use, operation and resetting procedures for the ASSYST maintenance computer. Proper diagnosis and testing of the ASSYST engine oil maintenance computer, the CAN data bus and the electronic data bus message inputs to the EMIC that are used by the ASSYST computer for its calculations requires the use of a diagnostic scan tool. Refer to the appropriate diagnostic information.

MALFUNCTION INDICATOR LAMP (MIL)

DESCRIPTION

A Malfunction Indicator Lamp (MIL) is standard equipment on all instrument clusters. The MIL is

located near the lower edge of the instrument cluster, to the right of the multi-function indicator display. The MIL consists of the International Control and Display Symbol icon for “Engine” imprinted within a rectangular cutout in the opaque layer of the instrument cluster overlay. The dark outer layer of the overlay prevents the indicator from being clearly visible when it is not illuminated. An amber Light Emitting Diode (LED) behind the cutout in the opaque layer of the overlay causes the icon to appear silhouetted against an amber field through the translucent outer layer of the overlay when the indicator is illuminated from behind by the LED, which is soldered onto the instrument cluster electronic circuit board. The MIL is serviced as a unit with the instrument cluster.

OPERATION

The Malfunction Indicator Lamp (MIL) gives an indication to the vehicle operator when the Engine Control Module (ECM) has recorded a Diagnostic Trouble Code (DTC) for an On-Board Diagnostics II (OBDII) emissions-related circuit or component malfunction. The MIL is controlled by a transistor on the instrument cluster circuit board based upon cluster programming and electronic messages received by the cluster from the ECM over the Controller Area Network (CAN) data bus. The MIL Light Emitting Diode (LED) is completely controlled by the instrument cluster logic circuit, and that logic will only allow this indicator to operate when the instrument cluster detects that the ignition switch is in the On position. Therefore, the LED will always be off when the ignition switch is in any position except On. The LED only illuminates when it is provided a path to ground by the instrument cluster transistor. The instrument cluster will turn on the MIL for the following reasons:

- **Bulb Test** - Each time the ignition switch is turned to the On position the MIL is illuminated as a bulb test. The indicator will remain illuminated until the engine is started, or until the ignition switch is turned to the Off position, whichever occurs first.

- **MIL Lamp-On Message** - Each time the cluster receives a MIL lamp-on message from the ECM, the indicator will be illuminated. The indicator will remain illuminated until the detected fault is repaired, or until the ignition switch is turned to the Off position, whichever occurs first. For more information on the ECM and the DTC set and reset parameters, (Refer to 25 - EMISSIONS CONTROL - OPERATION).

- **Communication Error** - If the cluster receives no lamp-on or lamp-off message from the ECM, the MIL is illuminated by the instrument cluster. The indicator remains controlled and illuminated by the cluster until a valid lamp-on or lamp-off message is received from the ECM.

The ECM continually monitors the fuel and emissions system circuits and sensors to decide whether the system is in good operating condition. The ECM then sends the proper lamp-on or lamp-off messages to the instrument cluster. If the instrument cluster turns on the MIL after the bulb test, it may indicate that a malfunction has occurred and that the fuel and emissions systems may require service. For proper diagnosis of the fuel and emissions systems, the ECM, the CAN data bus, or the electronic message inputs to the instrument cluster that control the MIL, a diagnostic scan tool is required. Refer to the appropriate diagnostic information.

MULTI - FUNCTION INDICATOR

DESCRIPTION

A multi-function indicator is standard equipment on all instrument clusters. The multi-function indicator is located near the lower edge of the instrument cluster, directly below the speedometer. The multi-function indicator consists of a Liquid Crystal Display (LCD) unit and four push button-controlled switches that are soldered onto the instrument cluster electronic circuit board. The LCD is visible through a large rectangular cutout in the instrument cluster overlay, while the four switch push buttons extend through a black plastic switch bezel located on the cluster lens directly below the LCD. The four multi-function indicator push buttons allow the vehicle operator to configure and adjust several of the display features. The buttons are labeled from left to right: "mi" (miles) or "km" (kilometers), an icon depicting an analog clock face (clock), "-" (minus), and "+" (plus).

The multi-function indicator LCD displays both alpha-numeric characters and numerous icons to provide information to the vehicle operator. The indications of the multi-function indicator are not visible when the LCD is not illuminated. When illuminated the indications appear as dark characters and icons silhouetted against an amber field. When the exterior lighting is turned Off, the display is illuminated at maximum brightness. When the exterior lighting is turned On the display illumination level can be adjusted in concert with the cluster general illumination lighting using the "+" (plus) and "-" (minus) multi-function indicator push buttons. The multi-function indicator LCD unit and push button switches are serviced as a unit with the instrument cluster.

OPERATION

The multi-function indicator has several display capabilities including odometer, trip odometer, clock,

engine oil level data, gear selector indicator (PRNDL), certain diagnostic information and, on vehicles so equipped, an optional Active Service System (ASSYST) engine oil maintenance indicator and an optional outside ambient temperature indicator. The multi-function indicator is completely controlled by the instrument cluster logic circuit, and that logic will allow this indication to be viewed whenever the multi-function indicator Liquid Crystal Display (LCD) is activated. Therefore, the indicator remains functional regardless of the ignition switch position. With the ignition switch in the Off or Accessory positions and the key removed from the ignition lock cylinder, the display is activated when the park lamps are turned On or, for about thirty seconds after any one of the multi-function indicator switch push buttons is depressed. Otherwise, the display unit is active for about thirty seconds after the key is inserted into the ignition lock cylinder, and inactive about thirty seconds after the key is removed from the ignition lock cylinder.

The multi-function indicator "mi" (miles) or "km" (kilometers) switch push button is used to control the odometer/trip odometer display modes. The multi-function indicator clock switch push button is used to control the clock/outside temperature display modes. The multi-function indicator "+" (plus) and "-" (minus) switch push buttons are used to adjust the cluster general illumination dimming level, the clock, and other cluster settings. See the owner's manual in the vehicle glove box for more information on the features, use, operation and setting procedures for the various standard and optional multi-function indicator displays.

Proper testing of the multi-function indicator LCD unit, the CAN data bus and the electronic data bus message inputs to the instrument cluster that control some of the multi-function indicator functions requires the use of a diagnostic scan tool. Refer to the appropriate diagnostic information. Additional details for the odometer/trip odometer, the clock, the gear selector indicator, the ambient temperature indicator and the ASSYST warning and reminder functions of the multi-function indicator may be found elsewhere in this service information.

ODOMETER

DESCRIPTION

An odometer and trip odometer are standard equipment in all instrument clusters. The odometer and trip odometer values are displayed on the left side of the multi-function indicator Liquid Crystal Display (LCD). The LCD is soldered onto the cluster electronic circuit board and is visible through a window with a clear lens located near the lower edge of

the instrument cluster, directly below the speedometer. However, the odometer and trip odometer information are not displayed simultaneously. The “mi” (miles) or “km” (kilometers) switch on the instrument cluster circuit board toggles the display between odometer and trip odometer modes by depressing the switch push button that extends through the lower edge of the cluster lens, directly below the multi-function indicator LCD.

The odometer and trip odometer information is stored in the instrument cluster memory. This information can be increased when the proper inputs are provided to the instrument cluster, but the information cannot be decreased. The odometer can display values up to 999,999 kilometers (999,999 miles). The odometer latches at these values, and will not roll over to zero. The trip odometer can display values up to 999.9 kilometers (999.9 miles) before it rolls over to zero. The odometer display does not have a decimal point and will not show values less than a full unit (kilometer or mile), while the trip odometer display does have a decimal point and will show tenths of a unit (kilometer or mile). The unit of measure (kilometers or miles) for the odometer and trip odometer display is imprinted on the cluster overlay below the left end of the LCD. The unit of measure for the instrument cluster odometer/trip odometer is selected at the time that it is manufactured, and cannot be changed.

The indications of the odometer/trip odometer are not visible when the LCD is not illuminated. When illuminated the indications appear as dark characters silhouetted against an amber field. When the exterior lighting is turned Off, the display is illuminated at maximum brightness. When the exterior lighting is turned On the display illumination level can be adjusted in concert with the cluster general illumination lighting using the plus and minus multi-function indicator push buttons. The odometer has a “Rental Car” mode, which will activate the multi-function indicator LCD and illuminate the odometer information for about thirty seconds after one of the multi-function indicator push buttons is momentarily depressed, or after the key is inserted into the ignition switch lock cylinder with the ignition switch in the Off position.

The odometer/trip odometer and the miles/kilometers switch, and the miles/kilometers switch push button are serviced as a unit with the instrument cluster.

OPERATION

The odometer and trip odometer give an indication to the vehicle operator of the distance the vehicle has traveled. This indicator is controlled by the instrument cluster circuitry based upon cluster programming and electronic messages received by the cluster from the Controller Anti-lock Brake (CAB) over the

Controller Area Network (CAN) data bus. The odometer and trip odometer information is displayed by the multi-function indicator Liquid Crystal Display (LCD). The LCD will display the odometer information whenever it is activated, and will display the last previously selected odometer or trip odometer information when the ignition switch is turned to the On position. The instrument cluster circuitry controls the LCD and provides the following features:

- **Odometer/Trip Odometer Display Toggling** - Actuating the multi-function indicator “mi” (miles) or “km” (kilometers) switch push button momentarily with the LCD illuminated will toggle the display between the odometer and trip odometer information. Each time the LCD is illuminated with the ignition switch in the On or Start positions, the display will automatically return to the last mode previously selected (odometer or trip odometer).

- **Trip Odometer Reset** - When the multi-function indicator “mi” (miles) or “km” (kilometers) switch push button is pressed and held for longer than about two seconds, the trip odometer will be reset to 000.0 kilometers (miles). The LCD must be displaying the trip odometer information in order for the trip odometer information to be reset.

The CAB continually monitors the vehicle speed pulse information received from the four wheel speed sensors, then sends the proper distance messages to the instrument cluster. For proper diagnosis of the wheel speed sensors, the CAB, the CAN data bus, or the electronic message inputs to the instrument cluster that control the odometer/trip odometer, a diagnostic scan tool is required. Refer to the appropriate diagnostic information.

PARK BRAKE INDICATOR

DESCRIPTION

A park brake indicator is standard equipment on all instrument clusters. The park brake indicator is located near the lower edge of the instrument cluster, to the left of the multi-function indicator display. The park brake indicator consists of stencil-like cutout of the word “PARK” in the opaque layer of the instrument cluster overlay. The dark outer layer of the overlay prevents the indicator from being clearly visible when it is not illuminated. A red Light Emitting Diode (LED) behind the cutout in the opaque layer of the overlay causes the “PARK” text to appear in red through the translucent outer layer of the overlay when the indicator is illuminated from behind by the LED, which is soldered onto the instrument cluster electronic circuit board. The park brake indicator is serviced as a unit with the instrument cluster.

OPERATION

The park brake indicator gives an indication to the vehicle operator when the parking brake is applied. This indicator is controlled by a transistor on the instrument cluster circuit board based upon a hard wired input from the park brake switch. The park brake indicator Light Emitting Diode (LED) is completely controlled by the instrument cluster logic circuit, and that logic will only allow this indicator to operate when the instrument cluster detects that the ignition switch is in the On position. Therefore, the LED will always be off when the ignition switch is in any position except On. The LED only illuminates when it is provided a path to ground by the instrument cluster transistor. The instrument cluster will turn on the park brake indicator for the following reasons:

- **Park Brake Switch Input** - Each time the cluster detects ground on the park brake indicator signal circuit (park brake switch closed = park brake applied or not fully released) while the ignition switch is in the On position, the brake indicator is illuminated. The indicator remains illuminated until the brake signal indicator input to the cluster is an open circuit (park brake switch open = park brake fully released), or until the ignition switch is turned to the Off position, whichever occurs first.

The park brake switch on the park brake pedal mechanism provides a hard wired ground input to the instrument cluster circuitry through the park brake indicator signal circuit whenever the park brake is applied or not fully released. The two switches are connected in series between ground and the instrument cluster. The park brake switch and the input circuit to the instrument cluster can be diagnosed using conventional diagnostic tools and methods. For proper diagnosis of the instrument cluster circuitry that controls the park brake indicator, a diagnostic scan tool is required. Refer to the appropriate diagnostic information.

SEATBELT INDICATOR

DESCRIPTION

A seatbelt indicator is standard equipment on all instrument clusters. The seatbelt indicator is located near the lower edge of the instrument cluster, to the right of the multi-function indicator display. The seatbelt indicator consists of the International Control and Display Symbol icon for "Seat Belt" imprinted within a rectangular cutout in the opaque layer of the instrument cluster overlay. The dark outer layer of the overlay prevents the indicator from being clearly visible when it is not illuminated. A red Light Emitting Diode (LED) behind the cutout in the opaque layer of the overlay causes the icon to appear

silhouetted against a red field through the translucent outer layer of the overlay when the indicator is illuminated from behind by the LED, which is soldered onto the instrument cluster electronic circuit board. The seatbelt indicator is serviced as a unit with the instrument cluster.

OPERATION

The seatbelt indicator gives an indication to the vehicle operator of the status of the driver side front seat belt. This indicator is controlled by a transistor on the instrument cluster circuit board based upon cluster programming and a hard wired input received from the seat belt switch on the driver side front seat belt. The seatbelt indicator Light Emitting Diode (LED) is completely controlled by the instrument cluster logic circuit, and that logic will only allow this indicator to operate when the instrument cluster detects that the ignition switch is in the On position. Therefore, the LED will always be off when the ignition switch is in any position except On. The LED only illuminates when it is provided a path to ground by the instrument cluster transistor. The instrument cluster will turn on the seatbelt indicator for the following reasons:

- **Seatbelt Reminder Function** - Each time the cluster detects that the ignition switch has been turned to the On position the seatbelt indicator will be illuminated as a reminder for about six seconds, or until the ignition switch is turned to the Off position, whichever occurs first. This reminder function will occur regardless of the status of the input received by the cluster from the driver side front seat belt switch.

- **Driver Side Front Seat Belt Switch Input** - Following the seatbelt reminder function, each time the cluster detects ground on the seatbelt indicator driver circuit (seat belt switch closed = seatbelt unbuckled) with the ignition switch in the On position, the seatbelt indicator will be illuminated. The seatbelt indicator remains illuminated until the seat belt switch input to the cluster is an open circuit (seat belt switch open = seatbelt buckled), or until the ignition switch is turned to the Off position, whichever occurs first.

- **Airbag Indicator Malfunction** - Following the seatbelt reminder function, each time the cluster detects a malfunction in the airbag (SRS) indicator or the airbag indicator circuit, the cluster will flash the seatbelt indicator on and off. The cluster will continue to flash the seatbelt indicator until the airbag indicator circuit fault is resolved, or until the ignition switch is turned to the Off position, whichever occurs first.

The instrument cluster continually monitors the status of the driver side front seat belt switch and the airbag indicator circuit to determine the proper seatbelt indicator response. The seat belt switch is

connected in series between the instrument cluster and ground. The seat belt switch and the seatbelt indicator driver circuit to the instrument cluster can be diagnosed using conventional diagnostic tools and methods. For proper diagnosis of the ACM, the air-bag (SRS) indicator, or the instrument cluster circuitry that controls the seatbelt indicator, a diagnostic scan tool is required. Refer to the appropriate diagnostic information.

SPEEDOMETER

DESCRIPTION

A speedometer is standard equipment on all instrument clusters. The speedometer is located in the center of the instrument cluster. The speedometer consists of a movable gauge needle or pointer controlled by the instrument cluster circuitry and a fixed 210 degree primary outer scale on the gauge dial face that reads left-to-right either from "0" to "100" miles-per-hour, or from "0" to "180" kilometers-per-hour, depending upon the market for which the vehicle is manufactured. Each version also has a secondary inner scale on the gauge dial face that provides the equivalent opposite units from the primary scale. Text appearing on the cluster overlay near the left end of each scale abbreviates the unit of measure, either "mph" or "km/h".

The speedometer graphics are white against a black field, making them clearly visible within the instrument cluster in daylight. When illuminated from behind by the panel lamps dimmer controlled cluster illumination lighting with the exterior lamps turned On, the white graphics appear amber. The orange gauge needle is internally illuminated. Gauge illumination is provided by Light Emitting Diode (LED) units soldered onto the instrument cluster electronic circuit board. The speedometer is serviced as a unit with the instrument cluster.

OPERATION

The speedometer gives an indication to the vehicle operator of the vehicle road speed. This gauge is controlled by the instrument cluster circuit board based upon cluster programming and electronic messages received by the cluster from the Controller Anti-lock Brake (CAB) over the Controller Area Network (CAN) data bus. The speedometer is an air core magnetic unit that receives battery current on the instrument cluster electronic circuit board when the instrument cluster detects that the ignition switch is in the On position. The cluster is programmed to move the gauge needle back to the low end of the scale after the ignition switch is turned to the Off position. The instrument cluster circuitry controls the gauge needle position and provides the following features:

- **Vehicle Speed Message** - Each time the cluster receives a vehicle speed message from the CAB it will calculate the correct vehicle speed reading and position the gauge needle at that relative speed position on the gauge scale. The gauge needle will continue to be positioned at the actual vehicle speed position on the gauge scale until the ignition switch is turned to the Off position.

- **Communication Error** - If the cluster fails to receive a speedometer message, it will hold the gauge needle at the last indication for about three seconds, or until the ignition switch is turned to the Off position, whichever occurs first. After three seconds, the gauge needle will return to the left end of the gauge scale.

The CAB continually monitors the four wheel speed sensors to determine the vehicle road speed. The CAB then sends the proper vehicle speed messages to the instrument cluster. For proper diagnosis of the wheel speed sensors, the CAB, the CAN data bus, or the electronic message inputs to the instrument cluster that control the speedometer, a diagnostic scan tool is required. Refer to the appropriate diagnostic information.

TACHOMETER

DESCRIPTION

A tachometer is standard equipment on all instrument clusters. The tachometer is located to the left of the speedometer, to the left of center in the instrument cluster. The tachometer consists of a movable gauge needle or pointer controlled by the instrument cluster circuitry and a fixed 45 degree scale on the gauge dial face that reads left-to-right from "0" to "7". The text "rpm X 1000" imprinted on the cluster overlay near the left end of the gauge scale identifies that each number on the tachometer scale is to be multiplied by 1000 rpm.

The tachometer graphics are white against a black field, making them clearly visible within the instrument cluster in daylight. When illuminated from behind by the panel lamps dimmer controlled cluster illumination lighting with the exterior lamps turned On, the white graphics appear amber. The orange gauge needle is internally illuminated. Gauge illumination is provided by Light Emitting Diode (LED) units soldered onto the instrument cluster electronic circuit board. The tachometer is serviced as a unit with the instrument cluster.

OPERATION

The tachometer gives an indication to the vehicle operator of the engine speed. This gauge is controlled by the instrument cluster circuit board based upon cluster programming and electronic messages

received by the cluster from the Engine Control Module (ECM) over the Controller Area Network (CAN) data bus. The tachometer is an air core magnetic unit that receives battery current on the instrument cluster electronic circuit board when the instrument cluster detects that the ignition switch is in the On position. The cluster is programmed to move the gauge needle back to the low end of the scale after the ignition switch is turned to the Off position. The instrument cluster circuitry controls the gauge needle position and provides the following features:

- **Engine Speed Message** - Each time the cluster receives an engine speed message from the ECM it will calculate the correct engine speed reading and position the gauge needle at that relative speed position on the gauge scale. The gauge needle will continually be repositioned at the relative engine speed position on the gauge scale until the engine stops running, or until the ignition switch is turned to the Off position, whichever occurs first.

- **Communication Error** - If the cluster fails to receive an engine speed message, it will hold the gauge needle at the last indication for about three seconds, or until the ignition switch is turned to the Off position, whichever occurs first. After three seconds, the gauge needle will return to the left end of the gauge scale.

The ECM continually monitors the crankshaft position sensor to determine the engine speed. The ECM then sends the proper engine speed messages to the instrument cluster. For proper diagnosis of the crankshaft position sensor, the ECM, the CAN data bus, or the electronic message inputs to the instrument cluster that control the tachometer, a diagnostic scan tool is required. Refer to the appropriate diagnostic information.

TRACTION CONTROL INDICATOR

DESCRIPTION

A traction control (ASR) indicator is standard equipment on all instrument clusters. The traction control indicator is located near the center of the speedometer in the instrument cluster. The traction control indicator consists of an "!" (exclamation point) imprinted within a triangular cutout in the opaque layer of the instrument cluster overlay. The dark outer layer of the overlay prevents the indicator from being clearly visible when it is not illuminated. An amber Light Emitting Diode (LED) behind the cutout in the opaque layer of the overlay causes the exclamation point to appear silhouetted against an amber field through the translucent outer layer of the overlay when the indicator is illuminated from behind by the LED, which is soldered onto the instrument cluster

electronic circuit board. The traction control indicator is serviced as a unit with the instrument cluster.

OPERATION

The traction control (ASR) indicator gives several indications to the vehicle operator concerning the operating status of the traction control (ASR) system. The traction control indicator is controlled by a transistor on the instrument cluster circuit board based upon cluster programming and electronic messages received by the cluster from the Controller Anti-lock Brake (CAB) over the Controller Area Network (CAN) data bus. The traction control indicator Light Emitting Diode (LED) is completely controlled by the instrument cluster logic circuit, and that logic will only allow this indicator to operate when the instrument cluster detects that the ignition switch is in the On position. Therefore, the LED will always be off when the ignition switch is in any position except On. The LED only illuminates when it is provided a path to ground by the instrument cluster transistor. The instrument cluster will turn on the traction control indicator for the following reasons:

- **Bulb Test** - Each time the ignition switch is turned to the On position the traction control indicator is illuminated for about two seconds as a bulb test.

- **Traction Control (ASR) Indicator Lamp-On Message** - Each time the cluster receives a traction control indicator lamp-on message from the CAB, the indicator will be illuminated. This indicator can be flashed on and off, or illuminated solid, as dictated by the CAB message. The indicator is illuminated solid when the traction control system has been deactivated; and is flashed when the traction control is activated or when the driven wheels lose traction with the traction control deactivated. The indicator remains flashing or illuminated solid until the cluster receives a lamp-off message from the CAB, or until the ignition switch is turned to the Off position, whichever occurs first.

The CAB continually monitors the traction control (ASR) switch and the four wheel speed sensors to determine the correct operating mode for the traction control system. The CAB then sends the proper lamp-on or lamp-off messages to the instrument cluster. See the owner's manual in the vehicle glove box for more information on the features, use, activation and deactivation of the traction control (ASR) system. For proper diagnosis of the traction control system, the CAB, the CAN data bus, or the electronic message inputs to the instrument cluster that control the traction control indicator, a diagnostic scan tool is required. Refer to the appropriate diagnostic information.

TRACTION CONTROL MALFUNCTION INDICATOR

DESCRIPTION

A traction control (ASR) malfunction indicator is standard equipment on all instrument clusters. The traction control malfunction indicator is located near the lower edge of the instrument cluster, to the right of the multi-function indicator display. The traction control malfunction indicator consists of an icon that graphically depicts a tire and two skid marks imprinted within a rectangular cutout in the opaque layer of the instrument cluster overlay. The dark outer layer of the overlay prevents the indicator from being clearly visible when it is not illuminated. An amber Light Emitting Diode (LED) behind the cutout in the opaque layer of the overlay causes the icon to appear silhouetted against an amber field through the translucent outer layer of the overlay when the indicator is illuminated from behind by the LED, which is soldered onto the instrument cluster electronic circuit board. The traction control malfunction indicator is serviced as a unit with the instrument cluster.

OPERATION

The traction control (ASR) malfunction indicator gives the vehicle operator an indication when the traction control system is faulty or inoperative. This indicator is controlled by a transistor on the instrument cluster circuit board based upon cluster programming and electronic messages received by the cluster from the Controller Antilock Brake (CAB) over the Controller Area Network (CAN) data bus. The traction control malfunction indicator Light Emitting Diode (LED) is completely controlled by the instrument cluster logic circuit, and that logic will only allow this indicator to operate when the instrument cluster detects that the ignition switch is in the On position. Therefore, the LED will always be off when the ignition switch is in any position except On. The LED only illuminates when it is provided a path to ground by the instrument cluster transistor. The instrument cluster will turn on the traction control malfunction indicator for the following reasons:

- **Bulb Test** - Each time the ignition switch is turned to the On position the traction control indicator is illuminated as a bulb test until the engine is started.
- **Traction Control (ASR) Malfunction Indicator Lamp-On Message** - Each time the cluster receives a traction control malfunction indicator lamp-on message from the CAB, the indicator will be illuminated. The indicator remains illuminated until the cluster receives a lamp-off message from the CAB, or until the ignition switch is turned to the Off position, whichever occurs first.

The CAB continually monitors the traction control (ASR) system circuits and sensors to decide whether the system is in good operating condition. The CAB then sends the proper lamp-on or lamp-off messages to the instrument cluster. If the CAB sends a lamp-on message after the bulb test, it indicates that the CAB has detected a system malfunction and that the traction control (ASR) system has become inoperative. The CAB will store a Diagnostic Trouble Code (DTC) for any malfunction it detects. In addition, if the traction control malfunction indicator is illuminated, the CAB will deactivate an activated traction control system and engine power output may be reduced. See the owner's manual in the vehicle glove box for more information on the features, use, activation and deactivation of the traction control (ASR) system. For proper diagnosis of the traction control system, the CAB, the CAN data bus, or the electronic message inputs to the instrument cluster that control the traction control malfunction indicator, a diagnostic scan tool is required. Refer to the appropriate diagnostic information.

TURN SIGNAL INDICATOR

DESCRIPTION

Two turn signal indicators, one right and one left, are standard equipment on all instrument clusters. The turn signal indicators are located near the upper edge of the instrument cluster, one to each side of the speedometer. Each turn signal indicator consists of an arrow-shaped cutout of the International Control and Display Symbol icon for "Turn Warning" in the opaque layer of the instrument cluster overlay. The dark outer layer of the overlay prevents these icons from being clearly visible when they are not illuminated. A green Light Emitting Diode (LED) behind each turn signal indicator cutout in the opaque layer of the overlay causes the icon to appear in green through the translucent outer layer of the overlay when the indicator is illuminated from behind by the LED, which is soldered onto the instrument cluster electronic circuit board. The turn signal indicators are serviced as a unit with the instrument cluster.

OPERATION

The turn signal indicators give an indication to the vehicle operator that the turn signal (left or right indicator flashing) or hazard warning (both left and right indicators flashing) have been selected and are operating. These indicators are controlled by transistors on the instrument cluster electronic circuit board based upon the cluster programming and a hard wired input received by the cluster from the turn signal relay through the turn signal and hazard warning switch circuitry of the multi-function switch on

the left and right turn signal circuits. Each turn signal indicator Light Emitting Diode (LED) is completely controlled by the instrument cluster logic circuit, and that logic will allow this indicator to operate whenever the instrument cluster receives a battery current input on the fused B(+) circuit. Therefore, each LED can be illuminated regardless of the ignition switch position. The LED only illuminates when it is provided a path to ground by the instrument cluster transistor. The instrument cluster will turn on the turn signal indicators for the following reasons:

- **Turn Signal Input** - Each time the cluster detects a turn signal input from the turn signal relay through the closed turn signal switch circuitry of the multi-function switch on the hard wired left or right turn signal circuit, the requested turn signal lamps and turn signal indicator will be flashed on and off, and a contactless relay soldered onto the cluster electronic circuit board will produce a clicking sound to emulate a conventional turn signal flasher. The turn signals and the turn signal indicators continue to flash on and off until the turn signal switch circuitry of the multi-function switch is opened, or until the ignition switch is turned to the Off position, whichever occurs first.

- **Hazard Warning Input** - Each time the cluster detects a hazard warning input from the turn signal relay through the closed hazard warning switch circuitry of the multi-function switch on the hard wired left and right turn signal circuits, all of the turn signal lamps and both turn signal indicators will be flashed on and off, and a contactless relay soldered onto the cluster electronic circuit board will produce a clicking sound to emulate a conventional hazard warning flasher. The turn signals and the turn signal indicators continue to flash on and off until the hazard warning switch circuitry of the multi-function switch is opened.

An electronic wipers, turn signals and engine start control module located within the fuse block beneath the steering column monitors the turn signal circuits and controls the flash rate of the turn signal relay. The instrument cluster continually monitors the right and left turn signal circuits to determine the proper turn signal and hazard warning indicator operation, then flashes the proper turn signal indicators and the contactless relay on and off accordingly. The multi-function switch, the turn signal relay and the left and right turn signal circuits to the instrument cluster can be diagnosed using conventional diagnostic tools and methods. For proper diagnosis of the wipers, turn signals and engine start control module within the fuse block or the instrument cluster circuitry that controls the turn signal indicators and the contactless relay, a diagnostic scan tool is required. Refer to the appropriate diagnostic information.

WAIT - TO - START INDICATOR

DESCRIPTION

A wait-to-start indicator is standard equipment in all instrument clusters. The wait-to-start indicator is located near the lower edge of the instrument cluster, to the right of the multi-function indicator display. The wait-to-start indicator consists of the International Control and Display Symbol icon for "Diesel Preheat" imprinted within a rectangular cutout in the opaque layer of the instrument cluster overlay. The dark outer layer of the overlay prevents the indicator from being clearly visible when it is not illuminated. An amber Light Emitting Diode (LED) behind the cutout in the opaque layer of the overlay causes the icon to appear silhouetted against an amber field through the translucent outer layer of the overlay when the indicator is illuminated from behind by the LED, which is soldered onto the instrument cluster electronic circuit board. The wait-to-start indicator is serviced as a unit with the instrument cluster.

OPERATION

The wait-to-start indicator gives an indication to the vehicle operator when the diesel engine glow plugs are energized in their pre-heat operating mode. This indicator is controlled by a transistor on the instrument cluster circuit board based upon cluster programming and electronic messages received by the cluster from the Engine Control Module (ECM) over the Controller Area Network (CAN) data bus. The wait-to-start indicator Light Emitting Diode (LED) is completely controlled by the instrument cluster logic circuit, and that logic will only allow this indicator to operate when the instrument cluster detects that the ignition switch is in the On position. Therefore, the LED will always be off when the ignition switch is in any position except On. The LED only illuminates when it is provided a path to ground by the instrument cluster transistor. The instrument cluster will turn on the wait-to-start indicator for the following reasons:

- **Bulb Test** - Each time the ignition switch is turned to the On position the wait-to-start indicator is illuminated for about two seconds as a bulb test.

- **Wait-To-Start Lamp-On Message** - Each time the cluster receives a wait-to-start lamp-on message from the ECM indicating that the diesel engine glow plugs are energized in their pre-heat operating mode, the wait-to-start indicator will be illuminated. The indicator remains illuminated until the cluster receives a wait-to-start lamp-off message indicating that the pre-heat mode of the glow plugs has been completed, until the ECM detects that the engine is running, or until the ignition switch is turned to the Off position, whichever occurs first.

The ECM continually monitors the engine coolant temperature sensor to determine when the glow plugs need to be energized in their pre-heat operating mode. The ECM then sends the proper wait-to-start lamp-on and lamp-off messages to the instrument cluster. If the instrument cluster turns on the indicator after the engine is started, it may indicate that a malfunction has occurred and that the engine glow control system requires service. The ECM will store a Diagnostic Trouble Code (DTC) for any malfunction it detects. For proper diagnosis of the engine coolant temperature sensor, the engine glow control system and circuits, the ECM, the CAN data bus, or the electronic message inputs to the instrument cluster that control the wait-to-start indicator, a diagnostic scan tool is required. Refer to the appropriate diagnostic information.

WASHER FLUID INDICATOR

DESCRIPTION

A washer fluid indicator is standard equipment on all instrument clusters. However, this indicator is only functional on vehicles equipped with an optional washer fluid level switch integral to the washer pump/motor unit on the washer reservoir. The washer fluid indicator is located near the lower edge of the instrument cluster, to the right of the multi-function indicator display. The washer fluid indicator consists of the International Control and Display Symbol icon for "Windshield Washer Fluid" imprinted within a rectangular cutout in the opaque layer of the instrument cluster overlay. The dark outer layer of the overlay prevents the indicator from being clearly visible when it is not illuminated. An amber Light Emitting Diode (LED) behind the cutout in the opaque layer of the overlay causes the icon to appear silhouetted against an amber field through the translucent outer layer of the overlay when the indicator is illuminated from behind by the LED, which is soldered onto the instrument cluster electronic circuit board. The washer fluid indicator is serviced as a unit with the instrument cluster.

OPERATION

The washer fluid indicator gives an indication to the vehicle operator that the fluid level in the washer reservoir is low. This indicator is controlled by the instrument cluster circuit board based upon cluster programming and a hard wired input from the optional washer fluid level switch that is integral to the washer pump/motor unit. The washer fluid indicator is completely controlled by the instrument cluster logic circuit, and that logic will only allow this indicator to operate when the instrument cluster detects that the ignition switch is in the On position. Therefore, the indicator will always be off when the

ignition switch is in any position except On. The indicator only illuminates when it is switched to ground by the instrument cluster circuitry. The instrument cluster will turn on the washer fluid indicator for the following reasons:

- **Bulb Test** - Each time the ignition switch is turned to the On position the brake wear indicator is illuminated by the instrument cluster for about two seconds as a bulb test.

- **Washer Fluid Level Switch Input** - Each time the cluster detects ground on the washer fluid switch sense circuit (washer fluid level switch closed = washer fluid level low) while the ignition switch is in the On position, the washer fluid indicator is illuminated. The indicator remains illuminated until the washer fluid level switch input to the cluster is an open circuit (washer fluid level switch open = washer fluid level acceptable), or until the ignition switch is turned to the Off position, whichever occurs first.

The instrument cluster continually monitors the washer fluid level switch to determine the level of the washer fluid. The instrument cluster logic applies a delay strategy to this input to reduce the negative effect that fluid sloshing within the reservoir can have on reliable indicator operation. The washer fluid level switch and circuit can be diagnosed using conventional diagnostic tools and methods. For proper diagnosis of the instrument cluster circuitry that controls the washer fluid indicator, a diagnostic scan tool is required. Refer to the appropriate diagnostic information.

WATER - IN - FUEL INDICATOR

DESCRIPTION

A water-in-fuel indicator is standard equipment in all instrument clusters. The water-in-fuel indicator is located near the lower edge of the instrument cluster, to the left of the multi-function indicator display. The water-in-fuel indicator consists of the International Control and Display Symbol icon for "Water In Fuel" imprinted within a rectangular cutout in the opaque layer of the instrument cluster overlay. The dark outer layer of the overlay prevents the indicator from being clearly visible when it is not illuminated. An amber Light Emitting Diode (LED) behind the cutout in the opaque layer of the overlay causes the icon to appear silhouetted against an amber field through the translucent outer layer of the overlay when the indicator is illuminated from behind by the LED, which is soldered onto the instrument cluster electronic circuit board. The water-in-fuel indicator is serviced as a unit with the instrument cluster.

OPERATION

The water-in-fuel indicator gives an indication to the vehicle operator when there is excessive water

detected in the fuel filter. This indicator is controlled by a transistor on the instrument cluster circuit board based upon the cluster programming and electronic messages received by the cluster from the Engine Control Module (ECM) over the Controller Area Network (CAN) data bus. The water-in-fuel indicator Light Emitting Diode (LED) is completely controlled by the instrument cluster logic circuit, and that logic will only allow this indicator to operate when the instrument cluster detects that the ignition switch is in the On position. Therefore, the LED will always be off when the ignition switch is in any position except On. The LED only illuminates when it is provided a path to ground by the instrument cluster transistor. The instrument cluster will turn on the water-in-fuel indicator for the following reasons:

- **Bulb Test** - Each time the ignition switch is turned to the On position the water-in-fuel indicator is illuminated for about seven seconds as a bulb test.
- **Water-In-Fuel Lamp-On Message** - Each time the cluster receives a water-in-fuel lamp-on message from the ECM indicating that there is excessive water in the fuel filter with the engine running, the water-in-fuel indicator will be illuminated. The indicator remains illuminated until the cluster receives a water-in-fuel lamp-off message, or until the ignition switch is turned to the Off position, whichever occurs first.

The ECM continually monitors the water-in-fuel sensor to determine whether there is excessive water in the fuel filter. The ECM then sends the proper water-in-fuel lamp-on and lamp-off messages to the instrument cluster. If the water-in-fuel indicator remains illuminated with the engine running, excess water should be drained from the fuel filter. If the indicator remains illuminated with the engine running after the water has been drained from the fuel filter, it may indicate that a malfunction has occurred in the water-in-fuel sensor or circuits. The ECM will store a Diagnostic Trouble Code (DTC) for any malfunction it detects. For proper diagnosis of the water-in-fuel sensor and circuits, the ECM, the CAN data bus, or the electronic message inputs to the instrument cluster that control the water-in-fuel indicator, a diagnostic scan tool is required. Refer to the appropriate diagnostic information.

LAMPS

TABLE OF CONTENTS

	page		page
LAMPS/LIGHTING - EXTERIOR	1	LAMPS/LIGHTING - INTERIOR	28

LAMPS / LIGHTING - EXTERIOR

TABLE OF CONTENTS

	page		page
LAMPS/LIGHTING - EXTERIOR		FRONT LAMP UNIT	
DESCRIPTION	2	REMOVAL	13
OPERATION	3	INSTALLATION	13
SPECIFICATIONS - LAMPS/LIGHTING -		ADJUSTMENTS	
EXTERIOR	5	ADJUSTMENT - FRONT LAMP UNIT	14
BACKUP LAMP BULB		FRONT POSITION LAMP BULB	
REMOVAL	5	REMOVAL	14
INSTALLATION	6	INSTALLATION	15
BRAKE LAMP SWITCH		FRONT TURN/PARK/SIDE MARKER LAMP	
REMOVAL	6	BULB	
INSTALLATION	7	REMOVAL	15
ADJUSTMENTS		INSTALLATION	16
ADJUSTMENT	7	HEADLAMP LEVELING MOTOR	
BRAKE/PARK LAMP BULB		REMOVAL	16
REMOVAL	7	INSTALLATION	17
INSTALLATION	8	HEADLAMP LEVELING SWITCH	
CENTER HIGH MOUNTED STOP LAMP BULB		REMOVAL	17
REMOVAL	8	INSTALLATION	18
INSTALLATION	8	HIGH BEAM HEADLAMP BULB	
CENTER HIGH MOUNTED STOP LAMP UN		REMOVAL	18
REMOVAL	8	INSTALLATION	19
INSTALLATION	9	LICENSE PLATE LAMP BULB	
CLEARANCE LAMP BULB		REMOVAL	19
REMOVAL	9	INSTALLATION	19
INSTALLATION	9	LICENSE PLATE LAMP UNIT	
CLEARANCE LAMP UNIT		REMOVAL	19
REMOVAL	9	INSTALLATION	19
INSTALLATION	9	LOW BEAM HEADLAMP BULB	
DAYTIME RUNNING LAMP RELAY		REMOVAL	20
REMOVAL	10	INSTALLATION	20
INSTALLATION	10	MULTI-FUNCTION SWITCH	
FOG LAMP BULB		REMOVAL	21
REMOVAL	10	INSTALLATION	21
INSTALLATION	11	PARK BRAKE SWITCH	
FOG LAMP RELAY		REMOVAL	21
REMOVAL	11	INSTALLATION	22
INSTALLATION	12	REAR SIDE MARKER LAMP BULB	
FOG LAMP SWITCH		REMOVAL	22
REMOVAL	12	INSTALLATION	22
INSTALLATION	13		

REAR TURN LAMP BULB	
REMOVAL	23
INSTALLATION	23
REPEATER LAMP BULB	
REMOVAL	23
INSTALLATION	24
REPEATER LAMP UNIT	
REMOVAL	24

INSTALLATION	25
TAIL LAMP UNIT	
REMOVAL	25
INSTALLATION	26
TURN SIGNAL RELAY	
REMOVAL	26
INSTALLATION	26

LAMPS / LIGHTING - EXTERIOR

DESCRIPTION

The exterior lighting system for this model includes the following exterior lamps:

- **Backup Lamps** - The backup (or reverse) lamps are integral to the tail lamp units mounted to the back of the quarter panel on each side of the tailgate at the rear of the vehicle.

- **Brake Lamps** - The brake (or stop) lamps include a bulb and reflector that are integral to the tail lamp units mounted to the back of the quarter panel on each side of the tailgate opening, and the Center High Mounted Stop Lamp (CHMSL) that is centered on the rear edge of the roof panel above the tailgate opening.

- **Daytime Running Lamps** - Vehicles manufactured for sale in Canada have a Daytime Running Lamps (DRL) relay that illuminates the low beam headlamp bulbs whenever the engine is running.

- **Fog Lamps** - Fog lamp bulbs and reflectors are included in both front lamp units of vehicles equipped with this option.

- **Hazard Warning Lamps** - The hazard warning lamps include all of the right and left turn signal and repeater lamps.

- **Headlamps** - Separate low beam and high beam headlamp bulbs are installed in the front lamp unit on each side of the front grille opening. A headlamp leveling actuator motor is also integral to each front lamp unit.

- **Park Lamps** - The park lamps include the front park/side marker lamps and front position lamps that are integral to the front lamp units mounted on either side of the front grille opening, as well as the rear park lamps and rear side marker lamps that are integral to the tail lamp units mounted to the back of the quarter panel on each side of the tailgate opening. Included in the park lamps circuit are two rear license plate lamp units mounted on the left rear tailgate door. The park lamps may also include optional clearance lamps, which are located on each side of a vehicle that is so equipped.

- **Turn Signal Lamps** - The turn signal lamps include the front turn lamps that are integral to the front lamp units, the rear turn lamps that are integral to the tail lamp units, and a repeater lamp

mounted to each front fender just above the front wheel opening.

Other components of the exterior lighting system for this model include:

- **Brake Lamp Switch** - A plunger-type brake lamp switch is located on the steering column support bracket under the instrument panel and actuated by the brake pedal arm.

- **Daytime Running Lamp Relays** - Vehicles manufactured for sale in Canada have two Daytime Running Lamps (DRL) relays. Dedicated right and left side relays illuminate the low beam headlamp bulb installed in each front lamp unit whenever the engine is running. These relays are located in dedicated vehicle wire harness connectors within the driver side front seat riser.

- **Fog Lamp Relay** - Vehicles equipped with the optional fog lamps have a fog lamp relay located in a dedicated vehicle wire harness connector within the driver side front seat riser.

- **Fog Lamp Switch** - A fog lamp switch is mounted in the instrument cluster bezel, below the cluster and outboard of the steering column on vehicles equipped with this option.

- **Headlamp Leveling Motor** - A headlamp leveling actuator motor is located on the back of each headlamp housing and adjusts both the low beam headlamp, high beam headlamp, and fog lamp (if equipped) reflector frames in unison.

- **Headlamp Leveling Switch** - A thumbwheel actuated headlamp leveling switch is mounted in the instrument cluster bezel, below the cluster and outboard of the steering column.

- **Multi-Function Switch** - The multi-function switch is located on the top of the steering column, just below the steering wheel. The multi-function switch is connected directly to the fuse block located below the steering column through an integral interface connector. Only the left (lighting), right (wiper) control stalks and the hazard warning switch button for the multi-function switch are visible, the remainder of the switch is concealed beneath the steering column shrouds. The multi-function switch includes a left (lighting) control stalk and a right (wiper) control stalk. The left control stalk is dedicated to providing almost all of the driver controls for the exterior lighting system.

- **Trailer Tow Connector** - Vehicles equipped with a factory-approved, field-installed trailer towing

electrical package have a heavy duty 7-way trailer tow connector installed in a bracket on the trailer hitch receiver. This package includes a 7-way to 4-way connector adapter unit.

- **Trailer Tow Control Module** - Vehicles equipped with a factory-approved, field-installed trailer towing electrical package have a trailer tow brake/turn control module located within the driver side front seat riser that controls the brake lamp and turn signal lamp outputs to the trailer lighting circuits.

- **Turn Signal Relay** - A turn signal relay is installed in the fuse block located on the underside of the steering column behind a fuse access panel in the steering column opening cover on the instrument panel. The electronic circuitry of the wipers, turn signals and engine start control module within the fuse block controls the turn signal relay.

- **Wipers, Turn Signals, Engine Start Control Module** - The wipers, turn signals and engine start control module is integral to the fuse block located on the underside of the steering column behind a fuse access panel in the steering column opening cover on the instrument panel. This module includes active electronic elements that control the operation of the turn signal relay based upon inputs from the multi-function switch and feedback from the turn signal circuits. (Refer to 8 - ELECTRICAL/POWER DISTRIBUTION/FUSE BLOCK - DESCRIPTION).

Hard wired circuitry connects the exterior lighting system components to the electrical system of the vehicle. These hard wired circuits are integral to several wire harnesses, which are routed throughout the vehicle and retained by many different methods. These circuits may be connected to each other, to the vehicle electrical system and to the exterior lighting system components through the use of a combination of soldered splices, splice block connectors, and many different types of wire harness terminal connectors and insulators. Refer to the appropriate wiring information. The wiring information includes wiring diagrams, proper wire and connector repair procedures, further details on wire harness routing and retention, as well as pin-out and location views for the various wire harness connectors, splices and grounds.

OPERATION

Following are paragraphs that briefly describe the operation of each of the major exterior lighting systems. The hard wired circuits and components of the exterior lighting systems may be diagnosed and tested using conventional diagnostic tools and procedures. However, conventional diagnostic methods may not prove conclusive in the diagnosis of the wipers, turn signals and engine start control module located within the fuse block underneath the steering column, the ElectroMechanical Instrument Cluster (EMIC), the Engine Control Module (ECM), or the

Controller Area Network (CAN) data bus network. The most reliable, efficient, and accurate means to diagnose the electronic module within the fuse block, the EMIC, the ECM, and the CAN data bus network inputs and outputs related to the various exterior lighting systems requires the use of a diagnostic scan tool. Refer to the appropriate diagnostic information.

BACKUP LAMPS

The backup (or reverse) lamps have a path to ground received at all times through the vehicle wire harness from a ground point located on the frame near the left end of the tailgate sill. The backup lamps receive battery current on the backup lamp supply circuit only when the backup lamp switch circuit of the Transmission Range Sensor (TRS) integral to the gear shifter assembly is closed by the gear shifter mechanism.

BRAKE LAMPS

The brake (or stop) lamps have a path to ground at all times through the vehicle wire harness from a ground point located on the frame near the left end of the tailgate sill. The Center High Mounted Stop Lamp (CHMSL) has a path to ground at all times through the vehicle wire harness from a ground point on the left side of the dash panel. The brake lamps and CHMSL receive battery current on the brake lamp switch output circuit when the brake lamp switch is closed by the brake pedal arm.

DAYTIME RUNNING LAMPS

Vehicles manufactured for sale in Canada illuminate the low beam headlamp bulb when the engine is running and the exterior lamps are turned off. This feature is enabled by the right and left Daytime Running Lamps (DRL) relays. When the DRL relays are de-energized, they provide fused battery current from the circuit K26 relay to the headlamp low beams. When the headlamps are turned On using the left (lighting) control stalk of the multi-function switch the DRL relays are energized, which returns control of the headlamps to the headlamp switch circuitry of the multi-function switch. The circuit K26 relay is energized by the ElectroMechanical Instrument Cluster (EMIC) whenever it receives an electronic message from the Engine Control Module (ECM) over the Controller Area Network (CAN) data bus indicating that the engine is running. The DRL and circuit K26 relays are installed in a relay bracket located below the forward edge of the driver side front seat cushion within the driver side front seat riser.

FRONT FOG LAMPS

Vehicles equipped with optional front fog lamps have a front fog lamp relay installed in a relay bracket located below the forward edge of the driver side front seat cushion within the driver side front

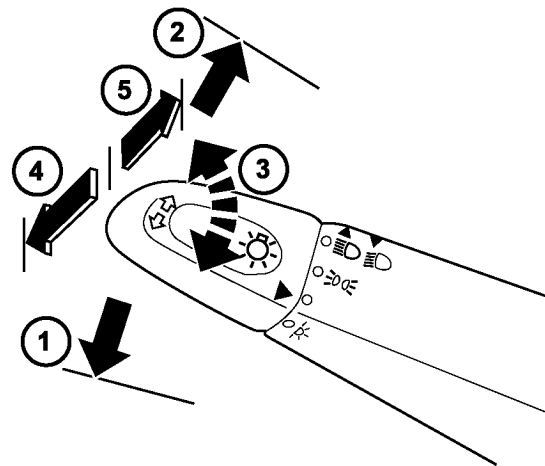
seat riser, a fog lamp switch installed in the cluster bezel on the instrument panel outboard of the steering column, and a fog lamp bulb installed in each of the two front lamp units. The front fog lamps have a path to ground at all times through their connection to the vehicle wire harness. The headlamp switch circuitry of the left (lighting) control stalk of the multi-function switch controls front fog lamp operation by providing battery current to the front fog lamp relay only when the low beam headlamps are selected. The fog lamp switch controls front fog lamp operation by energizing or de-energizing the front fog lamp relay control coil.

HAZARD WARNING LAMPS

With the hazard switch in the On position, the hazard switch button illuminates and the right and left turn signal indicators as well as the right and left turn signal lamps begin to flash on and off. When the hazard warning system is activated, the hazard switch circuitry within the multi-function switch and the wipers, turn signals and engine start control module electronic circuitry within the fuse block will repeatedly energize and de-energize the turn signal relay located in the fuse block. The turn signal relay switches battery current from a fused B(+) fuse in the fuse block to the turn signal indicators and the turn signal lamps. The flashing of the hazard switch button illumination lamp is also controlled by the output from the turn signal relay.

HEADLAMPS

The headlamp system includes the exterior lighting switches integral to the left (lighting) control stalk of the multi-function switch as well as the low and high beam bulbs installed in the right and left front lamp units (Fig. 1). The headlamp bulbs have a path to ground at all times through the vehicle wire harness. The exterior lighting switches control headlamp operation by providing battery current to the selected low or high beam bulbs. Each front lamp unit includes two integral adjustment screws to be used for static horizontal and vertical aiming of the headlamp beam reflectors.



8111b9ec

Fig. 1 Lighting Switch

- 1 - LEFT TURN SIGNAL
- 2 - RIGHT TURN SIGNAL
- 3 - EXTERIOR LIGHTING
- 4 - BEAM SELECT (DIMMER)
- 5 - OPTICAL HORN

HEADLAMP LEVELING

The headlamp leveling system includes a leveling actuator motor integral to each front lamp unit, and a rotary thumbwheel actuated headlamp leveling switch in the cluster bezel on the instrument panel outboard of the steering column. The headlamp leveling system allows the headlamp beam reflectors to be adjusted to one of four vertical positions to compensate for changes in inclination caused by the loading of the vehicle suspension. The actuator motors are mechanically connected through an integral pushrod to an adjustable headlamp reflector. The headlamp leveling switch is a resistor multiplexed unit that provides one of four voltage outputs to the headlamp leveling motors. The headlamp leveling motors will move the headlamps to the selected position based upon the voltage input received from the switch. The headlamp leveling motors and switch have a path to ground at all times. The headlamp leveling components operate on battery current received through the park lamps circuit so that the system will only operate when the exterior lighting is turned on.

PARK LAMPS

The park lamps system includes the exterior lighting switches integral to the left (lighting) control stalk of the multi-function switch (Fig. 1), the front park/side marker lamps, the front position lamps, the rear park lamps, the rear side marker lamps, the optional clearance lamps, and the license plate lamps. Each of these lamps are provided with a path to ground at all times through the vehicle wire harness. The exterior lighting switches control the park lamp operation by providing battery current through the park lamps circuit to the appropriate lamp bulbs.

TURN SIGNAL LAMPS

When the left (lighting) control stalk of the multi-function switch is activated (Fig. 1), the turn signal system illuminates the selected right or left turn signal indicator and the turn signal lamps begin to flash. The turn signal lamps include a bulb integral to each front lamp unit and each tail lamp unit, as well as a repeater lamp bulb located on each front fender above the front wheels. When the turn signal system is activated, the turn signal switch circuitry within the multi-function switch and the electronic circuitry of the wipers, turn signals and engine start control module within the fuse block will repeatedly energize and de-energize the turn signal relay located in the fuse block. The turn signal relay switches battery current from a fused ignition switch output fuse in the fuse block to the appropriate turn signal indicator and turn signal lamps.

The ElectroMechanical Instrument Cluster (EMIC) contactless relay will generate repetitive, audible turn signal “click” sounds to emulate the sounds of a conventional electro-mechanical turn signal flasher at one of two rates to coincide with the flashing of the turn signals. The slow rate emulates normal turn signal operation, while the fast rate emulates “bulb out” turn signal operation.

SPECIFICATIONS - LAMPS / LIGHTING - EXTERIOR

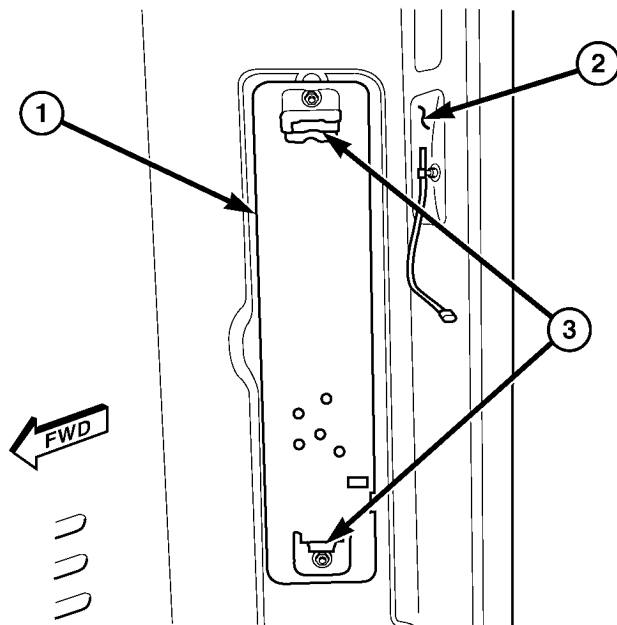
BULB SPECIFICATIONS

LAMP	BULB
Backup	P21W - 12V 21W
Brake & Rear Park	P21/5W - 12V 21/5W
Center High Mounted Stop	P21W - 12V 21W
Clearance	W3W - 12V 3W
Front Fog	H1 - 12V 55W
Front Position	W5W - 12V 5W
Front Turn, Park & Side Marker	3457 NA - 12V 28/7.5W Amber Glass
Low Beam Headlamp	H7 - 12V 55W
High Beam Headlamp	H1 - 12V 55W
License Plate	C5W - 12V 5W
Rear Side Marker	R5W - 12V 5W
Rear Turn	P21W - 12V 21W
Side Repeater	W5W - 12V 3W

BACKUP LAMP BULB

REMOVAL

- (1) Disconnect and isolate the battery negative cable.
- (2) If the vehicle is so equipped, remove the trim from the inside of the right or left rear corner pillar.
- (3) From inside the vehicle, use hand pressure to push the two latch tabs toward the center of the tail lamp unit socket plate and pull the socket plate straight out from the inner rear pillar (Fig. 2).

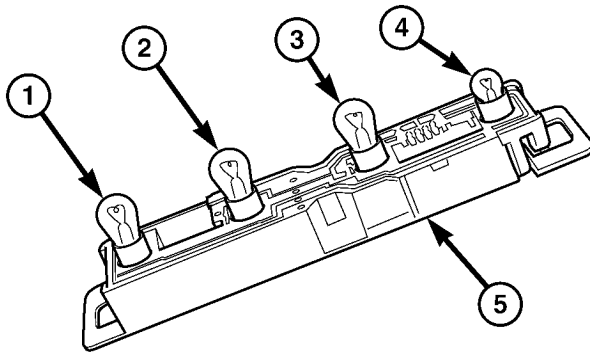


81113c1d

Fig. 2 Tail Lamp Socket Plate Remove/Install

- 1 - SOCKET PLATE
- 2 - INNER REAR PILLAR
- 3 - LATCH TAB (2)

- (4) Pull the socket plate away from the inner rear pillar far enough to access the backup lamp bulb (Fig. 3).



81113c24

Fig. 3 Tail Lamp Bulb Remove/Install

- 1 - BRAKE/PARK LAMP BULB
- 2 - BACKUP LAMP BULB
- 3 - TURN SIGNAL LAMP BULB
- 4 - SIDE MARKER LAMP BULB
- 5 - TAIL LAMP SOCKET PLATE

(5) Remove the backup lamp bulb from the tail lamp socket plate.

INSTALLATION

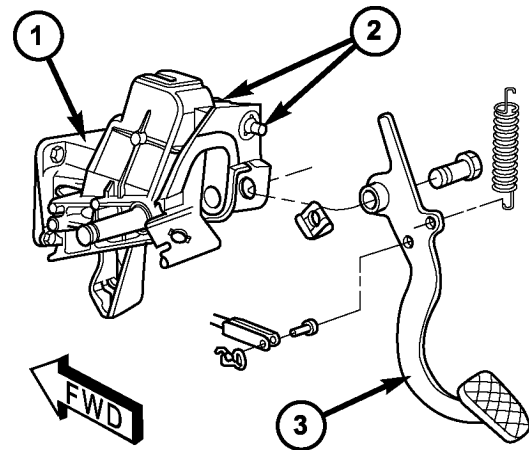
- (1) Install the backup lamp bulb into the tail lamp socket plate (Fig. 3).
- (2) Align the socket plate with the mounting hole in the inner rear pillar.
- (3) Using hand pressure, push the socket plate gently and evenly into the inner rear pillar mounting hole until both latch tabs are fully engaged (Fig. 2).
- (4) If the vehicle is so equipped, reinstall the trim onto the inside of the right or left rear corner pillar.
- (5) Reconnect the battery negative cable.

BRAKE LAMP SWITCH

REMOVAL

WARNING: To avoid personal injury or death, on vehicles equipped with airbags, disable the supplemental restraint system before attempting any steering wheel, steering column, airbag, seat belt tensioner, or instrument panel component diagnosis or service. Disconnect and isolate the battery negative (ground) cable, then wait two minutes for the system capacitor to discharge before performing further diagnosis or service. This is the only sure way to disable the supplemental restraint system. Failure to take the proper precautions could result in accidental airbag deployment.

- (1) Disconnect and isolate the battery negative cable.
- (2) Locate the brake lamp switch on the pedal bracket underneath the instrument panel (Fig. 4).

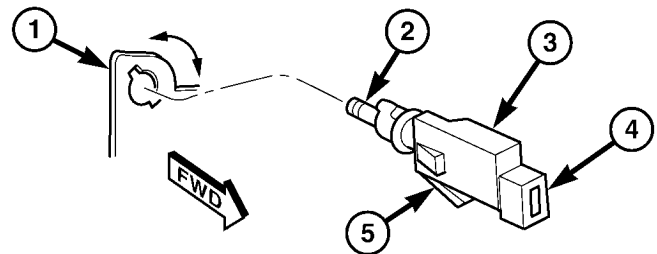


8111a886

Fig. 4 Brake Lamp Switch Location

- 1 - PEDAL BRACKET
- 2 - BRAKE LAMP SWITCH
- 3 - BRAKE PEDAL

(3) Depress the locking tab on the brake lamp switch body behind the pedal bracket and rotate the switch counterclockwise about 30 degrees (Fig. 5).



81125e6f

Fig. 5 Brake Lamp Switch Remove/Install

- 1 - PEDAL BRACKET
- 2 - PLUNGER
- 3 - BRAKE LAMP SWITCH
- 4 - CONNECTOR RECEPTACLE
- 5 - LOCKING TAB

- (4) Pull the switch forward in the vehicle far enough to disengage the switch plunger from the mounting hole in the pedal bracket.
- (5) Disconnect the vehicle wire harness from the brake lamp switch connector receptacle.
- (6) Remove the brake lamp switch from the vehicle.

INSTALLATION

WARNING: To avoid personal injury or death, on vehicles equipped with airbags, disable the supplemental restraint system before attempting any steering wheel, steering column, airbag, seat belt tensioner, or instrument panel component diagnosis or service. Disconnect and isolate the battery negative (ground) cable, then wait two minutes for the system capacitor to discharge before performing further diagnosis or service. This is the only sure way to disable the supplemental restraint system. Failure to take the proper precautions could result in accidental airbag deployment.

- (1) Pull the plunger of the brake lamp switch outward from the switch body to its travel limit (Fig. 5).
- (2) Reconnect the vehicle wire harness to the brake lamp switch connector receptacle.
- (3) Depress and hold the brake pedal in the depressed position until the brake lamp switch installation is completed (Fig. 4).
- (4) Insert the brake lamp switch plunger through the mounting hole from behind until the switch locking collar is fully seated against the pedal bracket.
- (5) Rotate the brake lamp switch clockwise until the locking tab on the switch body fully engages the pedal bracket. Full locking tab engagement will be accompanied by an audible click.

NOTE: Do not pull the brake pedal upwards as this will adjust the switch plunger to an incorrect position. The switch is properly adjusted when the switch plunger is just contacting (no gap) the brake pedal arm with the pedal in the relaxed (released) position.

- (6) Release the brake pedal from its depressed position to automatically adjust the brake lamp switch plunger.
- (7) Reconnect the battery negative cable.

ADJUSTMENTS

ADJUSTMENT

WARNING: To avoid personal injury or death, on vehicles equipped with airbags, disable the supplemental restraint system before attempting any steering wheel, steering column, airbag, seat belt tensioner, or instrument panel component diagnosis or service. Disconnect and isolate the battery negative (ground) cable, then wait two minutes for the system capacitor to discharge before performing further diagnosis or service. This is the only sure way to disable the supplemental restraint sys-

tem. Failure to take the proper precautions could result in accidental airbag deployment.

- (1) Disconnect and isolate the battery negative cable.
- (2) Depress and hold the brake pedal in the depressed position until the brake lamp switch adjustment is completed.
- (3) Pull the plunger of the brake lamp switch outward from the switch body to its travel limit.

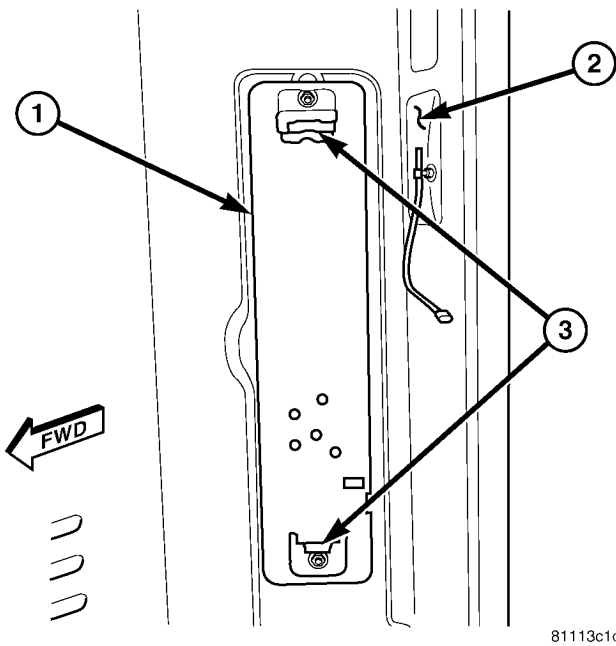
NOTE: Do not pull the brake pedal upwards as this will adjust the switch plunger to an incorrect position. The switch is properly adjusted when the switch plunger is just contacting (no gap) the brake pedal arm with the pedal in the relaxed (released) position.

- (4) Release the brake pedal from its depressed position to automatically adjust the brake lamp switch plunger.

BRAKE / PARK LAMP BULB

REMOVAL

- (1) Disconnect and isolate the battery negative cable.
- (2) If the vehicle is so equipped, remove the trim from the inside of the right or left rear corner pillar.
- (3) From inside the vehicle, use hand pressure to push the two latch tabs toward the center of the tail lamp unit socket plate and pull the socket plate straight out from the inner rear pillar (Fig. 6).

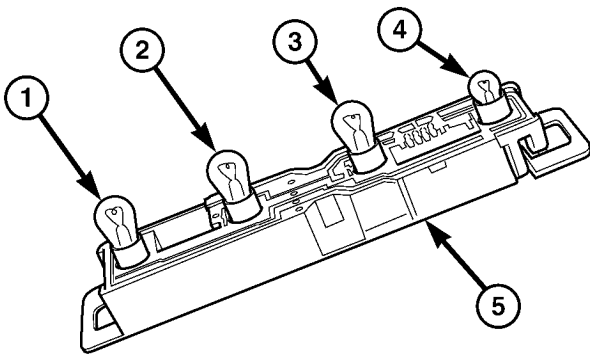


81113c1d

Fig. 6 Tail Lamp Socket Plate Remove/Install

- 1 - SOCKET PLATE
- 2 - INNER REAR PILLAR
- 3 - LATCH TAB (2)

(4) Pull the socket plate away from the inner rear pillar far enough to access the brake/park lamp bulb (Fig. 7).



81113c24

Fig. 7 Tail Lamp Bulb Remove/Install

- 1 - BRAKE/PARK LAMP BULB
- 2 - BACKUP LAMP BULB
- 3 - TURN SIGNAL LAMP BULB
- 4 - SIDE MARKER LAMP BULB
- 5 - TAIL LAMP SOCKET PLATE

(5) Remove the brake/park lamp bulb from the tail lamp socket plate.

INSTALLATION

- (1) Install the brake/park lamp bulb into the tail lamp socket plate (Fig. 7).
- (2) Align the socket plate with the mounting hole in the inner rear pillar.

(3) Using hand pressure, push the socket plate gently and evenly into the inner rear pillar mounting hole until both latch tabs are fully engaged (Fig. 6).

(4) If the vehicle is so equipped, reinstall the trim onto the inside of the right or left rear corner pillar.

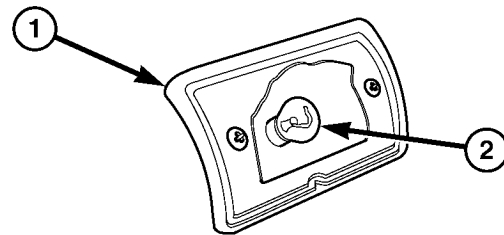
(5) Reconnect the battery negative cable.

CENTER HIGH MOUNTED STOP LAMP BULB

REMOVAL

(1) Disconnect and isolate the battery negative cable.

(2) Remove the two screws that secure the CHMSL lamp to the vehicle, then remove the lens from the lamp housing (Fig. 8).



81113f21

Fig. 8 CHMSL Bulb Remove/Install

- 1 - LAMP HOUSING
- 2 - BULB

(3) Push straight in on the CHMSL bulb and rotate it counterclockwise about 30 degrees to remove it from the lamp socket.

INSTALLATION

(1) Install the CHMSL bulb into the lamp socket (Fig. 8).

(2) Position the lens onto the CHMSL lamp housing

(3) Install and tighten the two screws that secure the CHMSL lamp to the vehicle.

(4) Reconnect the battery negative cable.

CENTER HIGH MOUNTED STOP LAMP UN

REMOVAL

(1) Disconnect and isolate the battery negative cable.

(2) Remove the two screws that secure the CHMSL unit to the vehicle (Fig. 9).

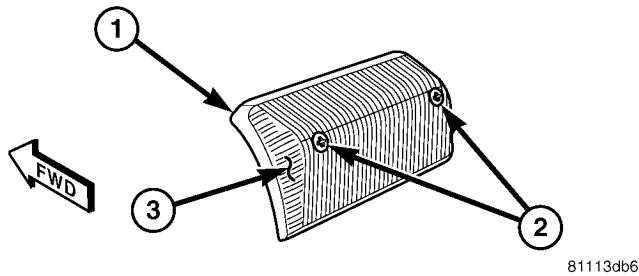


Fig. 9 Center High Mounted Stop Lamp Remove/Install

- 1 - LAMP
- 2 - SCREW (2)
- 3 - LENS

- (3) Pull the CHMSL unit away from the vehicle far enough to access and disconnect the vehicle wire harness from the lamp pigtail wire connector.
- (4) Remove the CHMSL unit from the vehicle.

INSTALLATION

- (1) Position the CHMSL unit close enough to the vehicle to reconnect the lamp pigtail wire connector to the vehicle wire harness.
- (2) Position the CHMSL unit to the vehicle.
- (3) Install and tighten the two screws that secure the CHMSL unit to the vehicle (Fig. 9).
- (4) Reconnect the battery negative cable.

CLEARANCE LAMP BULB

REMOVAL

- (1) Disconnect and isolate the battery negative cable.
- (2) Remove the clearance lamp unit from the vehicle, but do not disconnect it from the vehicle wire harness. (Refer to 8 - ELECTRICAL/LAMPS/LIGHTING - EXTERIOR/CLEARANCE LAMP - REMOVAL).
- (3) Pull the clearance lamp away from the vehicle far enough to access the bulb holder on the back of the lamp housing (Fig. 10).

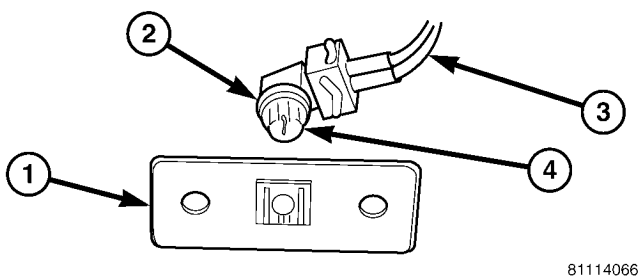


Fig. 10 Clearance Lamp Bulb Remove/Install

- 1 - LAMP HOUSING
- 2 - BULB HOLDER
- 3 - WIRE HARNESS
- 4 - BULB

- (4) Rotate the bulb holder counterclockwise about 30 degrees and pull it straight out from the lamp housing.
- (5) Remove the bulb from the clearance lamp bulb holder.

INSTALLATION

- (1) Install the bulb into the clearance lamp bulb holder (Fig. 10).
- (2) Insert the bulb holder into the back of the clearance lamp housing and rotate it clockwise about 30 degrees to lock it into place.
- (3) Reinstall the clearance lamp onto the vehicle. (Refer to 8 - ELECTRICAL/LAMPS/LIGHTING - EXTERIOR/CLEARANCE LAMP - INSTALLATION).
- (4) Reconnect the battery negative cable.

CLEARANCE LAMP UNIT

REMOVAL

- (1) Disconnect and isolate the battery negative cable.
- (2) Remove the two screws that secure the clearance lamp unit to the vehicle (Fig. 11).

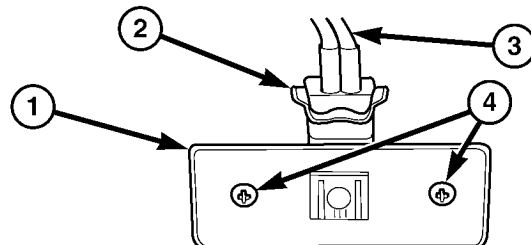


Fig. 11 Clearance Lamp Unit Remove/Install

- 1 - LAMP
- 2 - BULB HOLDER
- 3 - WIRE HARNESS
- 4 - SCREW (2)

- (3) Pull the clearance lamp unit away from the vehicle far enough to access and disconnect the vehicle wire harness from the bulb holder connector receptacle.
- (4) Remove the clearance lamp unit from the vehicle.

INSTALLATION

- (1) Position the clearance lamp unit close enough to the vehicle to reconnect the vehicle wire harness to the bulb holder connector receptacle (Fig. 11).
- (2) Position the clearance lamp unit to the vehicle.
- (3) Install and tighten the two screws that secure the clearance lamp unit to the vehicle.
- (4) Reconnect the battery negative cable.

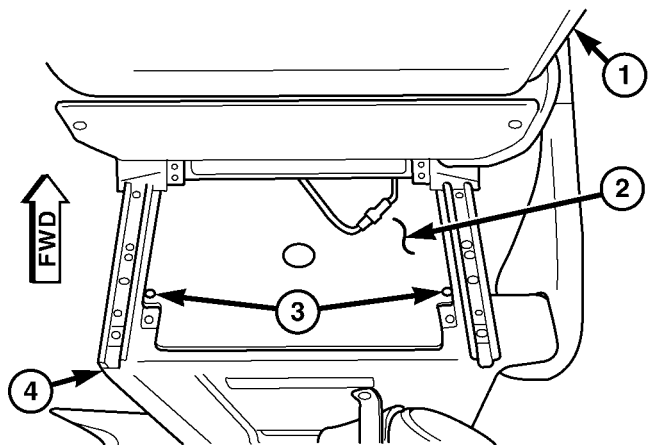
DAYTIME RUNNING LAMP RELAY

REMOVAL

Daytime Running Lamps (DRL) are only used in vehicles manufactured for the Canadian market, where this is required equipment. On vehicles equipped with DRL, a right and a left DRL relay are each located in a dedicated connector of the vehicle wire harness. Each connector is snapped into an opening in a stamped sheet metal bracket which is secured with screws within the driver side front seat riser just beneath the seat riser cover panel.

WARNING: To avoid personal injury or death, on vehicles equipped with airbags, disable the supplemental restraint system before attempting any steering wheel, steering column, airbag, seat belt tensioner, or instrument panel component diagnosis or service. Disconnect and isolate the battery negative (ground) cable, then wait two minutes for the system capacitor to discharge before performing further diagnosis or service. This is the only sure way to disable the supplemental restraint system. Failure to take the proper precautions could result in accidental airbag deployment.

- (1) Disconnect and isolate the battery negative cable.
- (2) Move the driver side front seat to its most forward position for easiest access to the seat riser cover panel (Fig. 12).



810b7930

Fig. 12 Seat Riser Cover

- 1 - DRIVER SEAT BACK
- 2 - COVER PANEL
- 3 - SCREW (2)
- 4 - SEAT RISER

(3) Remove the cover panel from the top of the driver side seat riser.

(4) Remove the DRL relay by grasping it firmly and pulling it straight out of the relay connector.

INSTALLATION

Daytime Running Lamps (DRL) are only used in vehicles manufactured for the Canadian market, where this is required equipment. On vehicles equipped with DRL, a right and a left DRL relay are each located in a dedicated connector of the vehicle wire harness. Each connector is snapped into an opening in a stamped sheet metal bracket which is secured with screws within the driver side front seat riser just beneath the seat riser cover panel.

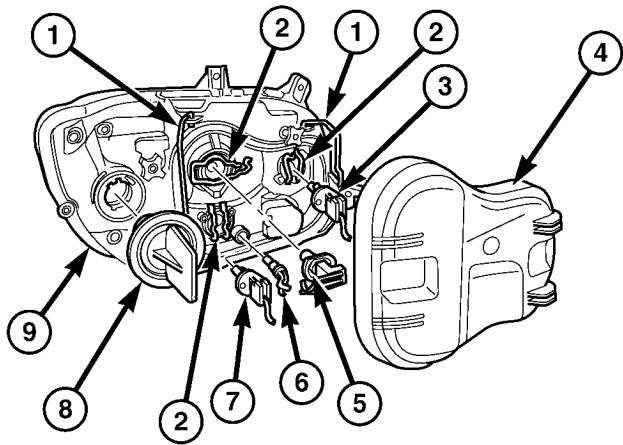
WARNING: To avoid personal injury or death, on vehicles equipped with airbags, disable the supplemental restraint system before attempting any steering wheel, steering column, airbag, seat belt tensioner, or instrument panel component diagnosis or service. Disconnect and isolate the battery negative (ground) cable, then wait two minutes for the system capacitor to discharge before performing further diagnosis or service. This is the only sure way to disable the supplemental restraint system. Failure to take the proper precautions could result in accidental airbag deployment.

- (1) Position the DRL relay to the relay connector.
- (2) Align the DRL relay terminals with the terminal cavities in the relay connector.
- (3) Using hand pressure, push firmly and evenly on the top of the DRL relay until the terminals are fully seated in the relay connector.
- (4) Position the cover panel onto the top of the driver side seat riser (Fig. 12).
- (5) Install and tighten the two screws that secure the cover panel to the top of the seat riser under the driver side front seat.
- (6) Move the driver side front seat back to its driving position.
- (7) Reconnect the battery negative cable.

FOG LAMP BULB

REMOVAL

- (1) Disconnect and isolate the battery negative cable.
- (2) Disengage and swing the retainers that secure the front lamp unit rear cover to each side of the lamp housing and remove the cover (Fig. 13).

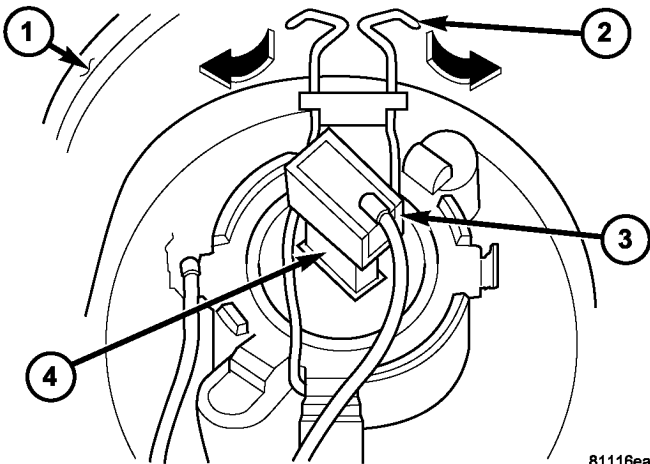


811147cf

Fig. 13 Front Lamp Unit Bulbs Remove/Install

- 1 - COVER RETAINER (2)
- 2 - BULB RETAINER (3)
- 3 - FOG LAMP BULB (OPTIONAL)
- 4 - COVER
- 5 - LOW BEAM BULB
- 6 - POSITION BULB
- 7 - HIGH BEAM BULB
- 8 - TURN/PARK/SIDE MARKER BULB
- 9 - FRONT LAMP UNIT

(3) Disconnect the front lamp unit wire harness connector from the fog lamp bulb base (Fig. 14).



81116ea9

Fig. 14 Fog Lamp Bulb Remove/Install

- 1 - LAMP HOUSING
- 2 - BULB RETAINER
- 3 - CONNECTOR
- 4 - BULB BASE

(4) Disengage the two fog lamp bulb retainers by pushing them slightly toward the front lamp unit housing, outward to each side of the bulb base, then pivot the retainers off of the bulb base.

(5) Remove the fog lamp bulb from the integral bulb holder on the front lamp unit reflector.

INSTALLATION

(1) Position the fog lamp bulb into the integral bulb holder on the front lamp unit reflector. Be cer-

tain that the lugs on the bulb base are engaged in the recesses of the bulb holder (Fig. 14).

(2) Engage the two fog lamp bulb retainers by pivoting them over the bulb base, pressing them slightly toward the front lamp unit housing, then inward on each side of the bulb base.

(3) Reconnect the front lamp unit wire harness connector to the fog lamp bulb base.

(4) Position the front lamp unit rear cover onto the lamp housing and engage the retainers over each side of the cover to secure it (Fig. 13).

(5) Reconnect the battery negative cable.

FOG LAMP RELAY

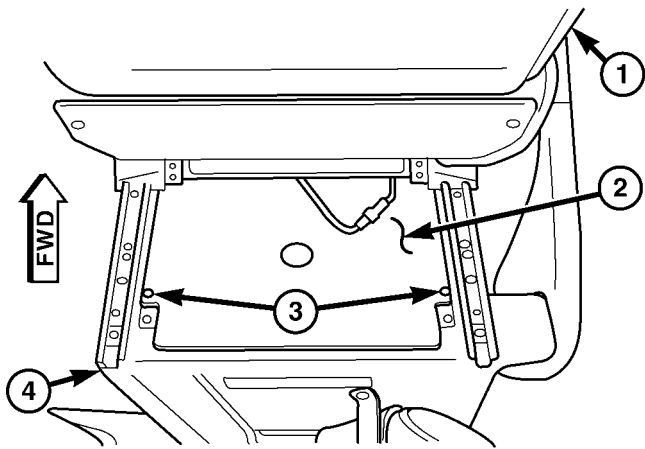
REMOVAL

Fog lamps are optional equipment on this model. On vehicles equipped with fog lamps, a fog lamp relay is located in a dedicated connector of the vehicle wire harness. This connector is snapped into an opening in a stamped sheet metal bracket which is secured with screws within the driver side front seat riser just beneath the seat riser cover panel.

WARNING: To avoid personal injury or death, on vehicles equipped with airbags, disable the supplemental restraint system before attempting any steering wheel, steering column, airbag, seat belt tensioner, or instrument panel component diagnosis or service. Disconnect and isolate the battery negative (ground) cable, then wait two minutes for the system capacitor to discharge before performing further diagnosis or service. This is the only sure way to disable the supplemental restraint system. Failure to take the proper precautions could result in accidental airbag deployment.

(1) Disconnect and isolate the battery negative cable.

(2) Move the driver side front seat to its most forward position for easiest access to the seat riser cover panel (Fig. 15).



810b7930

Fig. 15 Seat Riser Cover

- 1 - DRIVER SEAT BACK
- 2 - COVER PANEL
- 3 - SCREW (2)
- 4 - SEAT RISER

(3) Remove the cover panel from the top of the driver side seat riser.

(4) Remove the fog lamp relay by grasping it firmly and pulling it straight out of the relay connector.

INSTALLATION

Fog lamps are optional equipment on this model. On vehicles equipped with fog lamps, a fog lamp relay is located in a dedicated connector of the vehicle wire harness. This connector is snapped into an opening in a stamped sheet metal bracket which is secured with screws within the driver side front seat riser just beneath the seat riser cover panel.

WARNING: To avoid personal injury or death, on vehicles equipped with airbags, disable the supplemental restraint system before attempting any steering wheel, steering column, airbag, seat belt tensioner, or instrument panel component diagnosis or service. Disconnect and isolate the battery negative (ground) cable, then wait two minutes for the system capacitor to discharge before performing further diagnosis or service. This is the only sure way to disable the supplemental restraint system. Failure to take the proper precautions could result in accidental airbag deployment.

(1) Position the fog lamp relay to the relay connector.

(2) Align the fog lamp relay terminals with the terminal cavities in the relay connector.

(3) Using hand pressure, push firmly and evenly on the top of the fog lamp relay until the terminals are fully seated in the relay connector.

(4) Position the cover panel onto the top of the driver side seat riser (Fig. 15).

(5) Install and tighten the two screws that secure the cover panel to the top of the seat riser under the driver side front seat.

(6) Move the driver side front seat back to its driving position.

(7) Reconnect the battery negative cable.

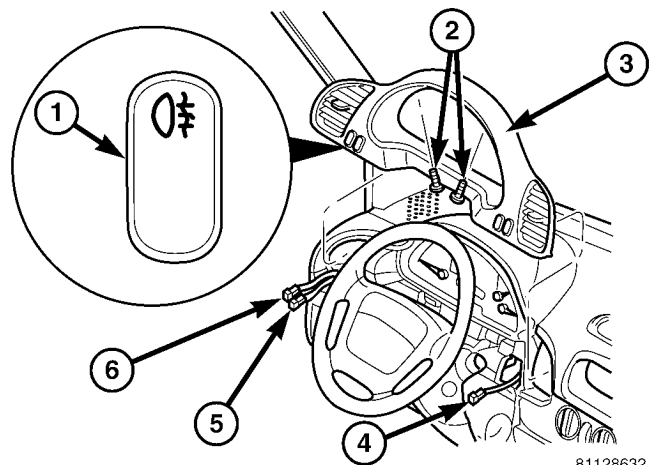
FOG LAMP SWITCH

REMOVAL

WARNING: To avoid personal injury or death, on vehicles equipped with airbags, disable the supplemental restraint system before attempting any steering wheel, steering column, airbag, seat belt tensioner, or instrument panel component diagnosis or service. Disconnect and isolate the battery negative (ground) cable, then wait two minutes for the system capacitor to discharge before performing further diagnosis or service. This is the only sure way to disable the supplemental restraint system. Failure to take the proper precautions could result in accidental airbag deployment.

(1) Disconnect and isolate the battery negative cable.

(2) Remove the cluster bezel from the instrument panel (Fig. 16). (Refer to 23 - BODY/INSTRUMENT PANEL/CLUSTER BEZEL - REMOVAL).

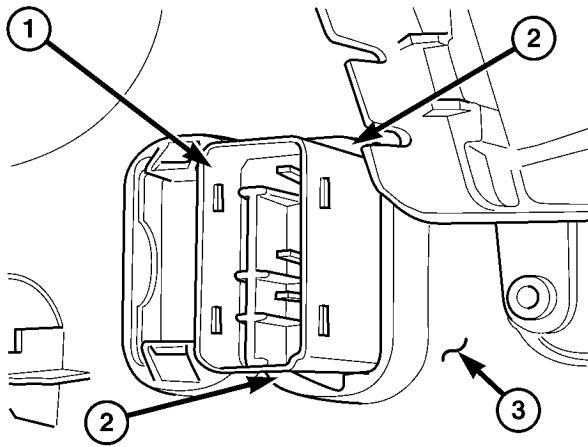


81128632

Fig. 16 Fog Lamp Switch

- 1 - FOG LAMP SWITCH
- 2 - SCREW (2)
- 3 - CLUSTER BEZEL
- 4 - TO REAR WINDOW DEFOGGER SWITCH (OPTIONAL)
- 5 - TO HEADLAMP LEVELING SWITCH
- 6 - TO FOG LAMP SWITCH (OPTIONAL)

(3) From the back of the cluster bezel, squeeze the two latches on the fog lamp switch body and push the switch out through the face of the bezel (Fig. 17).



81128678

Fig. 17 Fog Lamp Switch Remove/Install

- 1 - FOG LAMP SWITCH
- 2 - LATCH (2)
- 3 - CLUSTER BEZEL

(4) Remove the fog lamp switch from the face of the cluster bezel.

INSTALLATION

WARNING: To avoid personal injury or death, on vehicles equipped with airbags, disable the supplemental restraint system before attempting any steering wheel, steering column, airbag, seat belt tensioner, or instrument panel component diagnosis or service. Disconnect and isolate the battery negative (ground) cable, then wait two minutes for the system capacitor to discharge before performing further diagnosis or service. This is the only sure way to disable the supplemental restraint system. Failure to take the proper precautions could result in accidental airbag deployment.

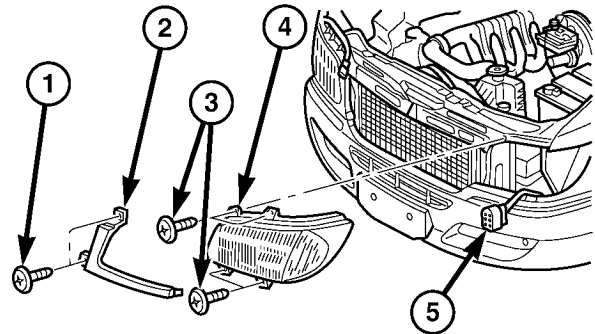
- (1) Position the fog lamp switch to the proper mounting hole on the face of the cluster bezel (Fig. 16).
- (2) Using hand pressure, push the fog lamp switch firmly and evenly into the switch mounting hole of the cluster bezel until both of the latches on the switch body are fully engaged.
- (3) Reinstall the cluster bezel onto the instrument panel. (Refer to 23 - BODY/INSTRUMENT PANEL/CLUSTER BEZEL - INSTALLATION).
- (4) Reconnect the battery negative cable.

FRONT LAMP UNIT

REMOVAL

- (1) Disconnect and isolate the battery negative cable.
- (2) Remove the front grille from the vehicle. (Refer to 23 - BODY/EXTERIOR/GRILLE - REMOVAL).

(3) Remove the two screws that secure the cover at the inboard side of the front lamp unit (Fig. 18).



811150c6

Fig. 18 Front Lamp Unit Remove/Install

- 1 - SCREW (2)
- 2 - COVER
- 3 - SCREW (4)
- 4 - LAMP UNIT
- 5 - WIRE HARNESS CONNECTOR

- (4) Remove the cover from the front lamp unit.
- (5) From the engine compartment, disconnect the vehicle wire harness connector from the connector receptacle for the front lamp unit.
- (6) Remove the four screws that secure the front lamp unit to the front of the vehicle.
- (7) Remove the front lamp unit from the front of the vehicle.

INSTALLATION

- (1) Position the front lamp unit to the front of the vehicle (Fig. 18).
- (2) Install and tighten the four screws that secure the front lamp unit to the front of the vehicle.
- (3) From the engine compartment, reconnect the vehicle wire harness connector to the connector receptacle for the front lamp unit.
- (4) Position the cover to the front lamp unit.
- (5) Install and tighten the two screws that secure the cover at the inboard side of the front lamp unit.
- (6) Reinstall the front grille onto the vehicle. (Refer to 23 - BODY/EXTERIOR/GRILLE - INSTALLATION).
- (7) Reconnect the battery negative cable.
- (8) Check and adjust the front lamp alignment as required. (Refer to 8 - ELECTRICAL/LAMPS/LIGHTING - EXTERIOR/FRONT LAMP UNIT - ADJUSTMENTS).

ADJUSTMENTS

ADJUSTMENT - FRONT LAMP UNIT

VEHICLE PREPARATION FOR FRONT LAMP UNIT ALIGNMENT

(1) Verify headlamp dimmer (multi-function) switch, fog lamp switch (if equipped), and high beam indicator operation.

(2) Verify that the headlamp leveling switch is in the "0" position.

(3) Repair or replace any faulty or damaged components that could interfere with proper lamp alignment.

(4) Verify proper tire inflation.

(5) Clean front lamp unit lenses.

(6) Verify that the cargo compartment is not heavily loaded. Vehicle should be at or near curb weight.

(7) The fuel tank should be "Full." Add 2.94 kilograms (6.5 pounds) of weight over the fuel tank for each estimated gallon of missing fuel.

(8) Load the driver's seat with 75 kilograms (165 pounds) of weight.

FRONT LAMP UNIT ALIGNMENT

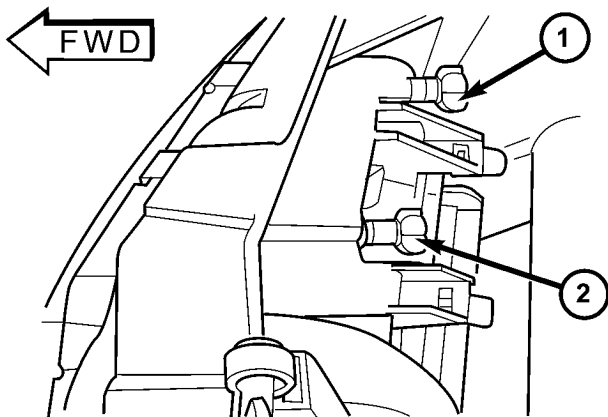
(1) Position the vehicle on a level surface.

(2) Turn On the headlamp low beams or the fog lamps (if equipped).

(3) Open the hood.

(4) Set up the headlamp adjuster according to the instructions provided by the manufacturer of the unit.

(5) Adjust the front lamp unit reflector as required by turning the adjustment screws in or out (Fig. 19).



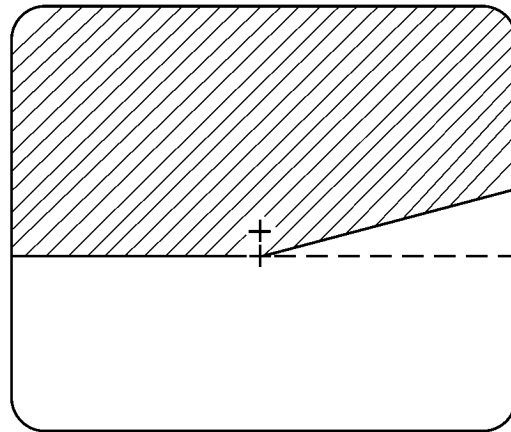
811242ed

Fig. 19 Front Lamp Unit Adjusting Screws

- 1 - HORIZONTAL ADJUSTMENT
2 - VERTICAL ADJUSTMENT

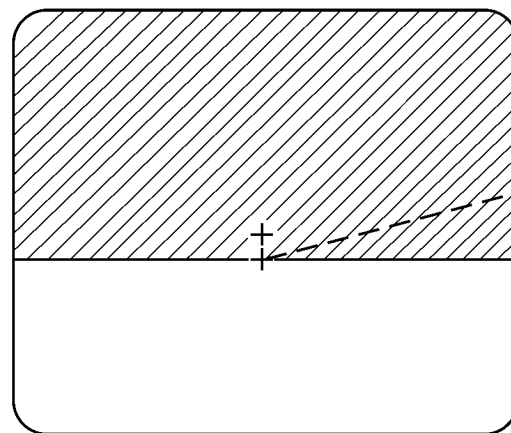
(6) When properly aligned, the low beam headlamps and, if equipped, fog lamps should provide a

cut-off pattern as shown in (Fig. 20) and (Fig. 21). Repeat the adjustment procedure as necessary to obtain the recommended cut-off patterns.



8112430d

Fig. 20 Low Beam Headlamp Cut-Off Pattern



81124324

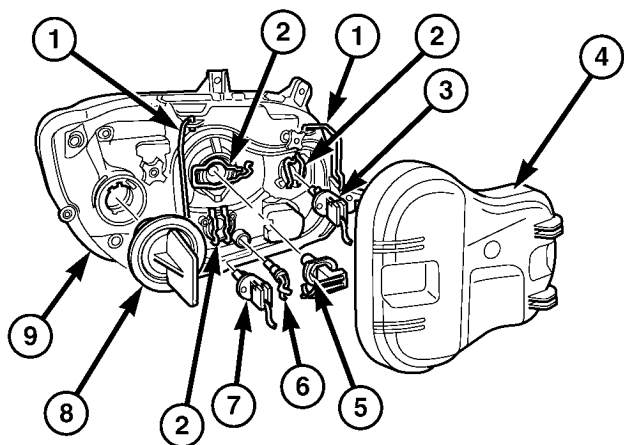
Fig. 21 Fog Lamp Cut-Off Pattern

FRONT POSITION LAMP BULB

REMOVAL

(1) Disconnect and isolate the battery negative cable.

(2) Disengage and swing the retainers that secure the front lamp unit rear cover to each side of the lamp housing and remove the cover (Fig. 22).

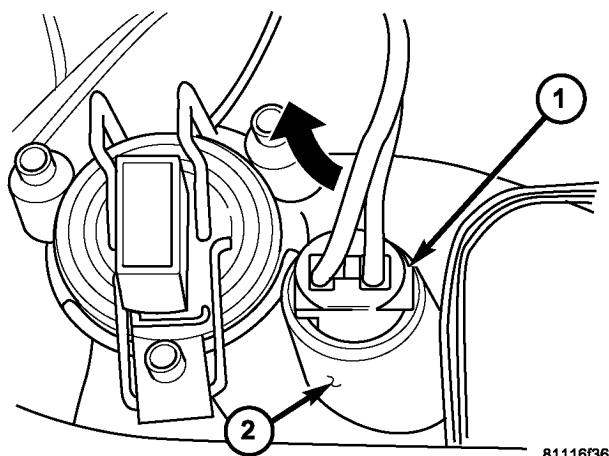


811147cf

Fig. 22 Front Lamp Unit Bulbs Remove/Install

- 1 - COVER RETAINER (2)
- 2 - BULB RETAINER (3)
- 3 - FOG LAMP BULB (OPTIONAL)
- 4 - COVER
- 5 - LOW BEAM BULB
- 6 - POSITION BULB
- 7 - HIGH BEAM BULB
- 8 - TURN/PARK/SIDE MARKER BULB
- 9 - FRONT LAMP UNIT

(3) Pull the position lamp bulb holder straight out to remove it from the front lamp unit reflector (Fig. 23).



81116f36

Fig. 23 Position Lamp Bulb Remove/Install

- 1 - BULB HOLDER
- 2 - LAMP REFLECTOR

(4) Remove the position lamp bulb from the bulb holder.

INSTALLATION

(1) Install the position lamp bulb into the bulb holder (Fig. 23).

(2) Push the position lamp bulb holder straight into the mounting hole in the front lamp unit reflector.

(3) Position the front lamp unit rear cover onto the lamp housing and engage the retainers over each side of the cover to secure it (Fig. 22).

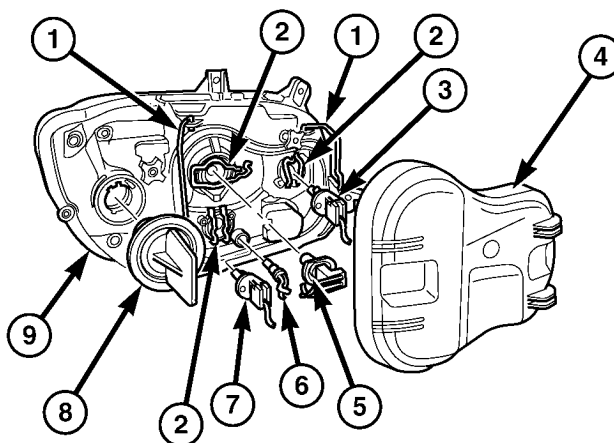
(4) Reconnect the battery negative cable.

FRONT TURN / PARK / SIDE MARKER LAMP BULB

REMOVAL

(1) Disconnect and isolate the battery negative cable.

(2) Locate the turn/park/side marker bulb holder on the rear outboard side of the front lamp unit housing (Fig. 24).

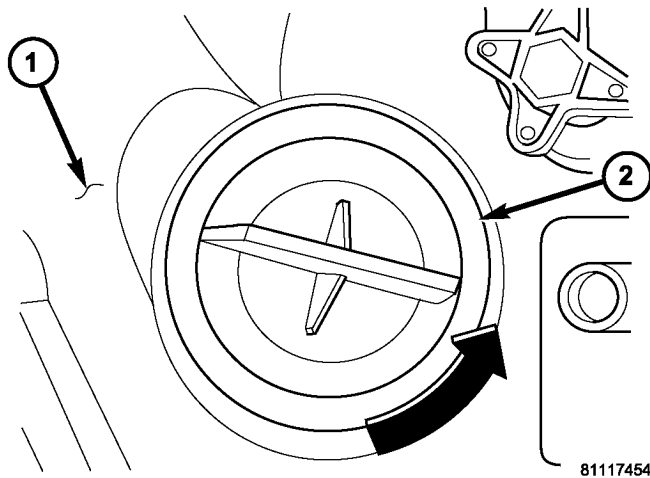


811147cf

Fig. 24 Front Lamp Unit Bulbs Remove/Install

- 1 - COVER RETAINER (2)
- 2 - BULB RETAINER (3)
- 3 - FOG LAMP BULB (OPTIONAL)
- 4 - COVER
- 5 - LOW BEAM BULB
- 6 - POSITION BULB
- 7 - HIGH BEAM BULB
- 8 - TURN/PARK/SIDE MARKER BULB
- 9 - FRONT LAMP UNIT

(3) Rotate the bulb holder counterclockwise about 30 degrees and pull it straight out from the lamp housing (Fig. 25).



81117454

Fig. 25 Front Turn/Park/Side Marker Bulb Remove/Install

- 1 - LAMP HOUSING
- 2 - BULB HOLDER

(4) Remove the bulb from the front turn/park/side marker bulb holder.

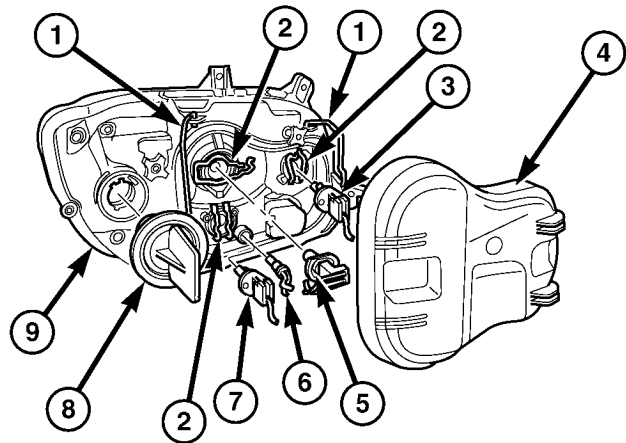
INSTALLATION

- (1) Install the bulb into the front turn/park/side marker bulb holder.
- (2) Insert the bulb holder straight into the front lamp unit housing and rotate the bulb holder clockwise about 30 degrees to lock it into place (Fig. 25).
- (3) Reconnect the battery negative cable.

HEADLAMP LEVELING MOTOR

REMOVAL

- (1) Disconnect and isolate the battery negative cable.
- (2) Disengage and swing the retainers that secure the front lamp unit rear cover to each side of the lamp housing and remove the cover (Fig. 26).

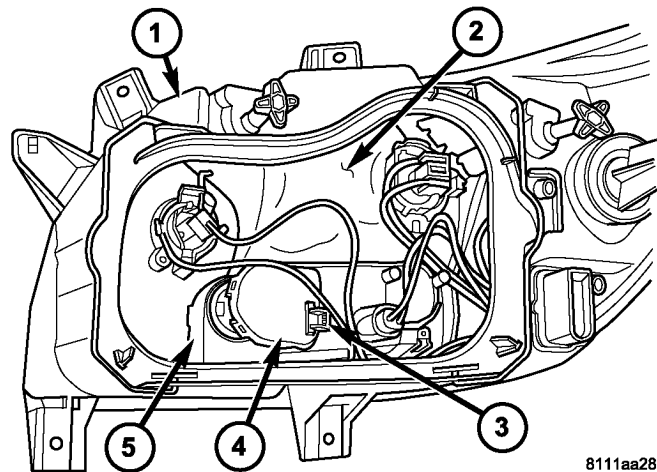


811147cf

Fig. 26 Front Lamp Unit Bulbs Remove/Install

- 1 - COVER RETAINER (2)
- 2 - BULB RETAINER (3)
- 3 - FOG LAMP BULB (OPTIONAL)
- 4 - COVER
- 5 - LOW BEAM BULB
- 6 - POSITION BULB
- 7 - HIGH BEAM BULB
- 8 - TURN/PARK/SIDE MARKER BULB
- 9 - FRONT LAMP UNIT

(3) Disconnect the front lamp unit wire harness connector from the connector receptacle for the headlamp leveling motor (Fig. 27).



8111aa28

Fig. 27 Headlamp Leveling Motor

- 1 - HOUSING
- 2 - REFLECTOR
- 3 - CONNECTOR
- 4 - MOTOR
- 5 - MOUNT

(4) Rotate the headlamp leveling motor counter-clockwise about 30 degrees and pull it straight out from the mount integral to the front lamp unit housing (Fig. 28).

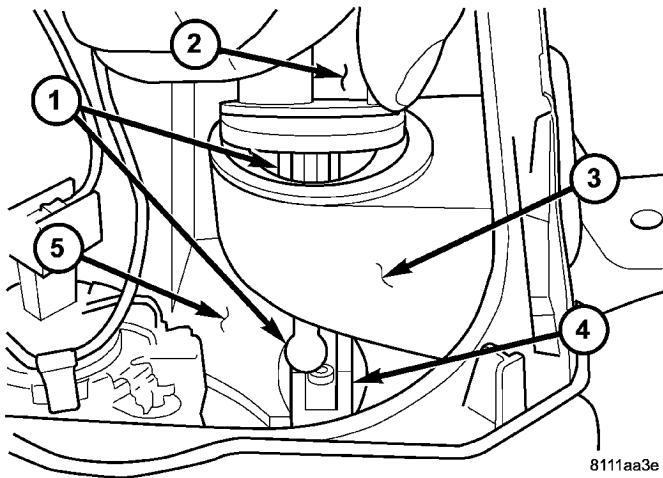


Fig. 28 Headlamp Leveling Motor Remove/Install

- 1 - PUSHROD
- 2 - MOTOR
- 3 - MOUNT
- 4 - BRACKET
- 5 - REFLECTOR

(5) Stabilize the front lamp unit reflector with one hand, then use the other hand to pull the headlamp leveling motor away from the reflector until the ball on the end of the motor pushrod unsnaps from the bracket on the reflector.

(6) Remove the headlamp leveling motor from the mount on the front lamp unit housing.

INSTALLATION

(1) Position the headlamp leveling motor to the mount on the front lamp unit housing (Fig. 28).

(2) Snap the ball on the end of the headlamp leveling motor into the bracket on the front lamp unit reflector.

(3) Push the headlamp leveling motor into the mount integral to the front lamp unit housing until it is fully seated, then rotate the motor clockwise about 30 degrees to lock it into place (Fig. 27).

(4) Reconnect the front lamp unit wire harness connector to the connector receptacle for the headlamp leveling motor.

(5) Position the front lamp unit rear cover onto the lamp housing and engage the retainers over each side of the cover to secure it (Fig. 26).

(6) Reconnect the battery negative cable.

HEADLAMP LEVELING SWITCH

REMOVAL

WARNING: To avoid personal injury or death, on vehicles equipped with airbags, disable the supplemental restraint system before attempting any steering wheel, steering column, airbag, seat belt

tensioner, or instrument panel component diagnosis or service. Disconnect and isolate the battery negative (ground) cable, then wait two minutes for the system capacitor to discharge before performing further diagnosis or service. This is the only sure way to disable the supplemental restraint system. Failure to take the proper precautions could result in accidental airbag deployment.

(1) Disconnect and isolate the battery negative cable.

(2) Remove the cluster bezel from the instrument panel (Fig. 29). (Refer to 23 - BODY/INSTRUMENT PANEL/CLUSTER BEZEL - REMOVAL).

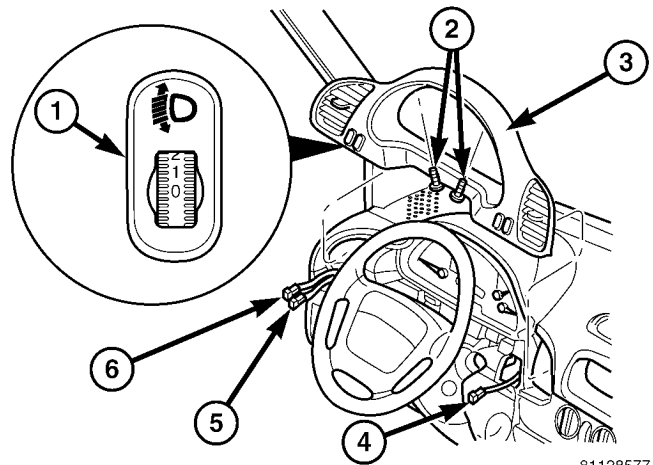
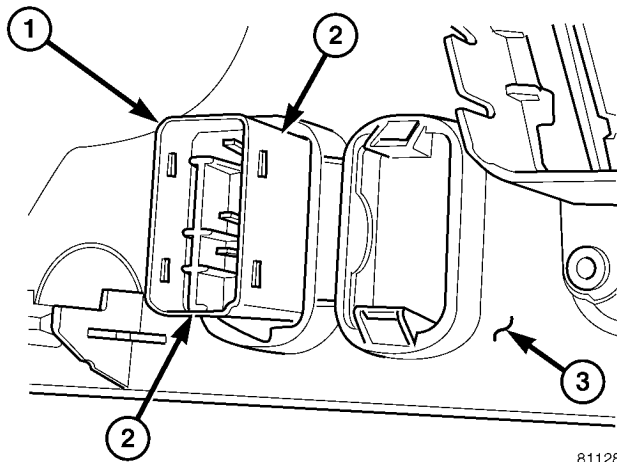


Fig. 29 Headlamp Leveling Switch

- 1 - HEADLAMP LEVELING SWITCH
- 2 - SCREW (2)
- 3 - CLUSTER BEZEL
- 4 - TO REAR WINDOW DEFOGGER SWITCH (OPTIONAL)
- 5 - TO HEADLAMP LEVELING SWITCH
- 6 - TO FOG LAMP SWITCH (OPTIONAL)

(3) From the back of the cluster bezel, squeeze the two latches on the headlamp leveling switch body and push the switch out through the face of the bezel (Fig. 30).



81128603

Fig. 30 Headlamp Leveling Switch Remove/Install

- 1 - SWITCH
- 2 - LATCH (2)
- 3 - CLUSTER BEZEL

(4) Remove the headlamp leveling switch from the face of the cluster bezel.

INSTALLATION

WARNING: To avoid personal injury or death, on vehicles equipped with airbags, disable the supplemental restraint system before attempting any steering wheel, steering column, airbag, seat belt tensioner, or instrument panel component diagnosis or service. Disconnect and isolate the battery negative (ground) cable, then wait two minutes for the system capacitor to discharge before performing further diagnosis or service. This is the only sure way to disable the supplemental restraint system. Failure to take the proper precautions could result in accidental airbag deployment.

(1) Position the headlamp leveling switch to the proper mounting hole on the face of the cluster bezel (Fig. 29).

(2) Using hand pressure, push the headlamp leveling switch firmly and evenly into the switch mounting hole of the cluster bezel until both of the latches on the switch body are fully engaged.

(3) Reinstall the cluster bezel onto the instrument panel. (Refer to 23 - BODY/INSTRUMENT PANEL/CLUSTER BEZEL - INSTALLATION).

(4) Reconnect the battery negative cable.

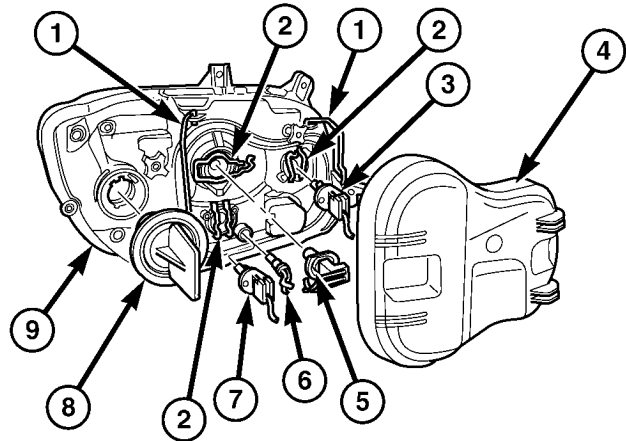
HIGH BEAM HEADLAMP BULB

REMOVAL

(1) Disconnect and isolate the battery negative cable.

(2) Disengage and swing the retainers that secure the front lamp unit rear cover to each side of the

lamp housing and remove the cover (Fig. 31).

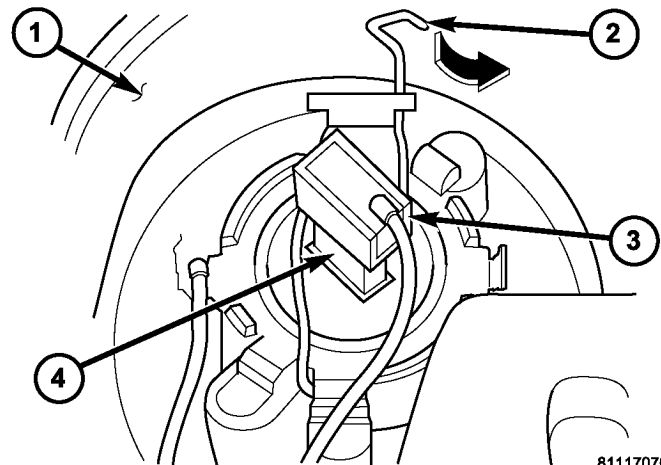


811147cf

Fig. 31 Front Lamp Unit Bulbs Remove/Install

- 1 - COVER RETAINER (2)
- 2 - BULB RETAINER (3)
- 3 - FOG LAMP BULB (OPTIONAL)
- 4 - COVER
- 5 - LOW BEAM BULB
- 6 - POSITION BULB
- 7 - HIGH BEAM BULB
- 8 - TURN/PARK/SIDE MARKER BULB
- 9 - FRONT LAMP UNIT

(3) Disconnect the front lamp unit wire harness connector from the high beam headlamp bulb base (Fig. 32).



81117070

Fig. 32 High Beam Headlamp Bulb Remove/Install

- 1 - LAMP HOUSING
- 2 - BULB RETAINER
- 3 - CONNECTOR
- 4 - BULB BASE

(4) Disengage the high beam headlamp bulb retainer by pushing it slightly toward the front lamp unit housing and outward from the bulb base, then pivot the retainer off of the bulb base.

(5) Remove the high beam headlamp bulb from the integral bulb holder on the front lamp unit reflector.

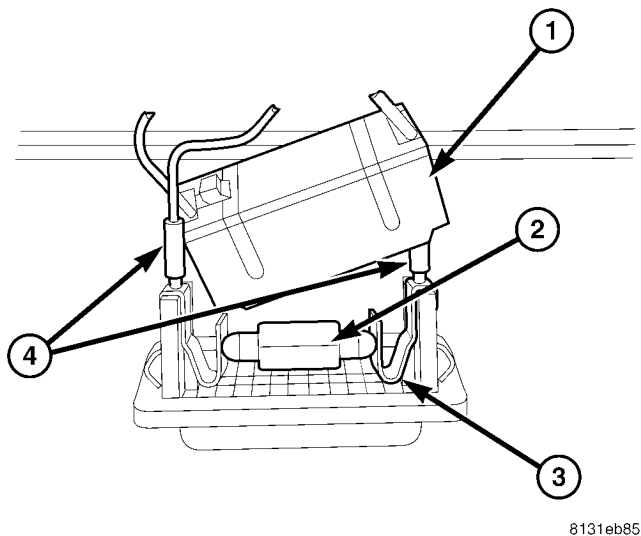
INSTALLATION

- (1) Position the high beam headlamp bulb into the integral bulb holder on the front lamp unit reflector. Be certain that the lugs on the bulb base are engaged in the recesses of the bulb holder (Fig. 31).
- (2) Engage the high beam headlamp bulb retainer by pivoting it over the bulb base, pressing it slightly outward from the bulb base and toward the front lamp unit housing, then inward toward the side of the bulb base.
- (3) Reconnect the front lamp unit wire harness connector to the high beam headlamp bulb base.
- (4) Position the front lamp unit rear cover onto the lamp housing and engage the retainers over each side of the cover to secure it (Fig. 13).
- (5) Reconnect the battery negative cable.

LICENSE PLATE LAMP BULB

REMOVAL

- (1) Disconnect and isolate the battery negative cable.
- (2) Remove the license plate lamp unit from its mounting location, but do not disconnect it from the vehicle wire harness. (Refer to 8 - ELECTRICAL/LAMPS/LIGHTING - EXTERIOR/LICENSE PLATE LAMP UNIT - REMOVAL).
- (3) Remove the cover from the back of the lamp housing (Fig. 33).



8131eb85

Fig. 33 License Plate Lamp Bulb Remove/Install

- 1 - COVER
- 2 - BULB
- 3 - BULB HOLDER (2)
- 4 - WIRE HARNESS CONNECTOR (1 or 2)

- (4) Grasp the lamp housing firmly in one hand, then disengage the bulb from between the bulb holders with the other hand.

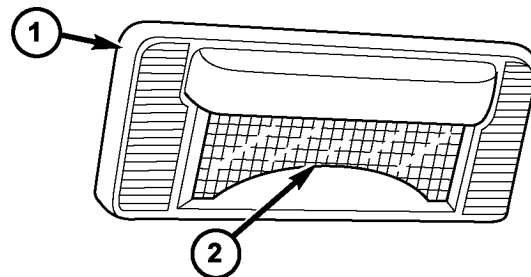
INSTALLATION

- (1) Grasp the license plate lamp housing firmly in one hand, then engage the bulb between the bulb holders with the other hand (Fig. 33).
- (2) Reinstall the cover onto the back of the lamp housing.
- (3) Reinstall the license plate lamp unit to its mounting location. (Refer to 8 - ELECTRICAL/LAMPS/LIGHTING - EXTERIOR/LICENSE PLATE LAMP UNIT - INSTALLATION).
- (4) Reconnect the battery negative cable.

LICENSE PLATE LAMP UNIT

REMOVAL

- (1) Disconnect and isolate the battery negative cable.
- (2) Using hand pressure, press the right side of the license plate lamp housing toward the left against the spring pressure of the retaining clip, then pull the right side of the lamp downward to disengage it from the mounting hole (Fig. 34).



81115fe9

Fig. 34 License Plate Lamp Unit Remove/Install

- 1 - LAMP HOUSING
- 2 - LENS

- (3) Pull the license plate lamp housing slightly to the right to disengage the left side of the unit from the mounting hole.
- (4) Disconnect the one or two vehicle wire harness connections from the terminals on the back of the license plate lamp unit.
- (5) Remove the license plate lamp unit from the vehicle.

INSTALLATION

- (1) Position the license plate lamp unit to the mounting hole on the vehicle (Fig. 34).
- (2) Reconnect the one or two vehicle wire harness connections to the terminals on the back of the license plate lamp unit.
- (3) Engage the left side of the license plate lamp unit into the left side of the mounting hole.
- (4) Using hand pressure, press the right side of the license plate lamp housing toward the left against the spring pressure of the retaining clip, then

push the right side of the lamp upward to engage it into the right side of the mounting hole.

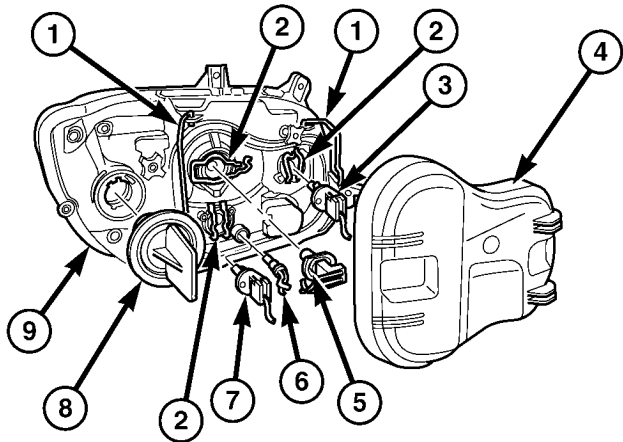
(5) Reconnect the battery negative cable.

LOW BEAM HEADLAMP BULB

REMOVAL

(1) Disconnect and isolate the battery negative cable.

(2) Disengage and swing the retainers that secure the front lamp unit rear cover to each side of the lamp housing and remove the cover (Fig. 35).

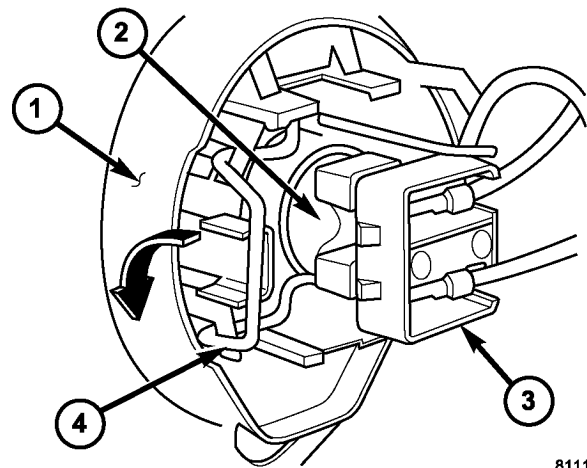


811147cf

Fig. 35 Front Lamp Unit Bulbs Remove/Install

- 1 - COVER RETAINER (2)
- 2 - BULB RETAINER (3)
- 3 - FOG LAMP BULB (OPTIONAL)
- 4 - COVER
- 5 - LOW BEAM BULB
- 6 - POSITION BULB
- 7 - HIGH BEAM BULB
- 8 - TURN/PARK/SIDE MARKER BULB
- 9 - FRONT LAMP UNIT

(3) Disconnect the front lamp unit wire harness connector from the low beam headlamp bulb base (Fig. 36).



81117449

Fig. 36 Low Beam Headlamp Bulb Remove/Install

- 1 - LAMP HOUSING
- 2 - BULB BASE
- 3 - CONNECTOR
- 4 - BULB RETAINER

(4) Disengage the low beam headlamp bulb retainer by pushing it slightly toward the front lamp unit housing and downward from the bulb base, then pivot the retainer off of the bulb base.

(5) Remove the low beam headlamp bulb from the integral bulb holder on the front lamp unit reflector.

INSTALLATION

(1) Position the low beam headlamp bulb into the integral bulb holder on the front lamp unit reflector. Be certain that the lugs on the bulb base are engaged in the recesses of the bulb holder (Fig. 36).

(2) Engage the low beam headlamp bulb retainer by pivoting it over the bulb base, pressing it slightly toward the front lamp unit housing and upward toward the side of the bulb base.

(3) Reconnect the front lamp unit wire harness connector to the low beam headlamp bulb base.

(4) Position the front lamp unit rear cover onto the lamp housing and engage the retainers over each side of the cover to secure it (Fig. 35).

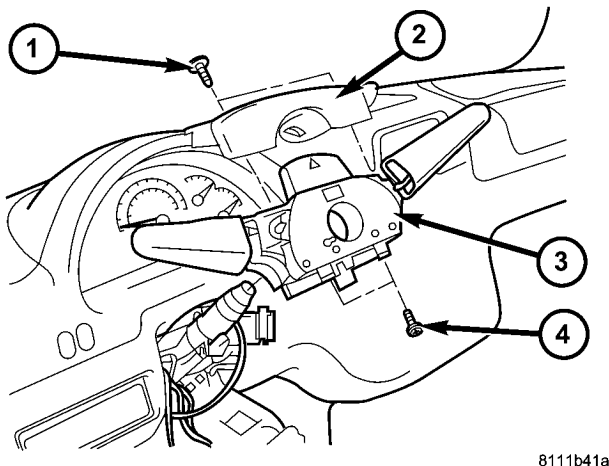
(5) Reconnect the battery negative cable.

MULTI - FUNCTION SWITCH

REMOVAL

WARNING: To avoid personal injury or death, on vehicles equipped with airbags, disable the supplemental restraint system before attempting any steering wheel, steering column, airbag, seat belt tensioner, or instrument panel component diagnosis or service. Disconnect and isolate the battery negative (ground) cable, then wait two minutes for the system capacitor to discharge before performing further diagnosis or service. This is the only sure way to disable the supplemental restraint system. Failure to take the proper precautions could result in accidental airbag deployment.

- (1) Disconnect and isolate the battery negative cable.
- (2) Remove the fuse block from the underside of the steering column. (Refer to 8 - ELECTRICAL/POWER DISTRIBUTION/FUSE BLOCK - REMOVAL).
- (3) Remove the clockspring from the steering column. (Refer to 8 - ELECTRICAL/RESTRAINTS/CLOCKSPRING - REMOVAL).
- (4) If the vehicle is so equipped, remove the steering angle sensor from the steering column. (Refer to 5 - BRAKES/ELECTRICAL/STEERING ANGLE SENSOR - REMOVAL).
- (5) Remove the two screws that secure the upper shroud to the top of the multi-function switch (Fig. 37).



8111b41a

Fig. 37 Multi-Function Switch Remove/Install

- 1 - SCREW (2)
- 2 - UPPER SHROUD
- 3 - SWITCH
- 4 - SCREW (2)

- (6) Remove the upper shroud from the top of the multi-function switch.
- (7) Remove the two screws that secure the multi-function switch to the steering column.

(8) Remove the multi-function switch from the steering column.

(9) Remove the speed control switch from the back of the multi-function switch. (Refer to 8 - ELECTRICAL/SPEED CONTROL/SWITCH - REMOVAL).

INSTALLATION

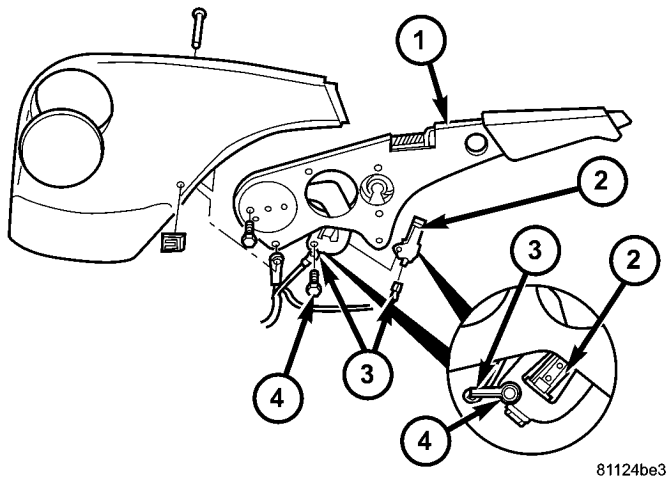
WARNING: To avoid personal injury or death, on vehicles equipped with airbags, disable the supplemental restraint system before attempting any steering wheel, steering column, airbag, seat belt tensioner, or instrument panel component diagnosis or service. Disconnect and isolate the battery negative (ground) cable, then wait two minutes for the system capacitor to discharge before performing further diagnosis or service. This is the only sure way to disable the supplemental restraint system. Failure to take the proper precautions could result in accidental airbag deployment.

- (1) Reinstall the speed control switch onto the back of the multi-function switch. (Refer to 8 - ELECTRICAL/SPEED CONTROL/SWITCH - INSTALLATION).
- (2) Position the multi-function switch onto the steering column (Fig. 37).
- (3) Install and tighten the two screws that secure the multi-function switch to the steering column.
- (4) Position the upper shroud onto the top of the multi-function switch.
- (5) Install and tighten the two screws that secure the upper shroud to the top of the multi-function switch.
- (6) If the vehicle is so equipped, reinstall the steering angle sensor onto the steering column. (Refer to 5 - BRAKES/ELECTRICAL/STEERING ANGLE SENSOR - INSTALLATION).
- (7) Reinstall the clockspring onto the steering column. (Refer to 8 - ELECTRICAL/RESTRAINTS/CLOCKSPRING - INSTALLATION).
- (8) Reinstall the fuse block onto the underside of the steering column. (Refer to 8 - ELECTRICAL/POWER DISTRIBUTION/FUSE BLOCK - INSTALLATION).
- (9) Reconnect the battery negative cable.

PARK BRAKE SWITCH

REMOVAL

(1) Remove the trim cover from the park brake lever (Fig. 38). (Refer to 5 - BRAKES/PARKING BRAKE/LEVER - REMOVAL).



81124be3

Fig. 38 Park Brake Switch Remove/Install

- 1 - LEVER
- 2 - SWITCH
- 3 - WIRE HARNESS
- 4 - SCREW

(2) Remove the screw that secures the park brake switch and the ground eyelet terminal to the park brake lever.

(3) Disengage the park brake switch from the park brake lever.

(4) Disconnect the vehicle wire harness connector for the park brake switch from the switch terminal.

(5) Remove the park brake switch from the park brake lever.

INSTALLATION

(1) Position the park brake switch near the park brake lever (Fig. 38).

(2) Reconnect the vehicle wire harness connector for the park brake switch to the switch terminal.

(3) Engage the park brake switch into the park brake lever.

(4) Install and tighten the screw that secures the park brake switch and the ground eyelet terminal to the park brake lever.

(5) Reinstall the trim cover onto the park brake lever. (Refer to 5 - BRAKES/PARKING BRAKE/LEVER - INSTALLATION).

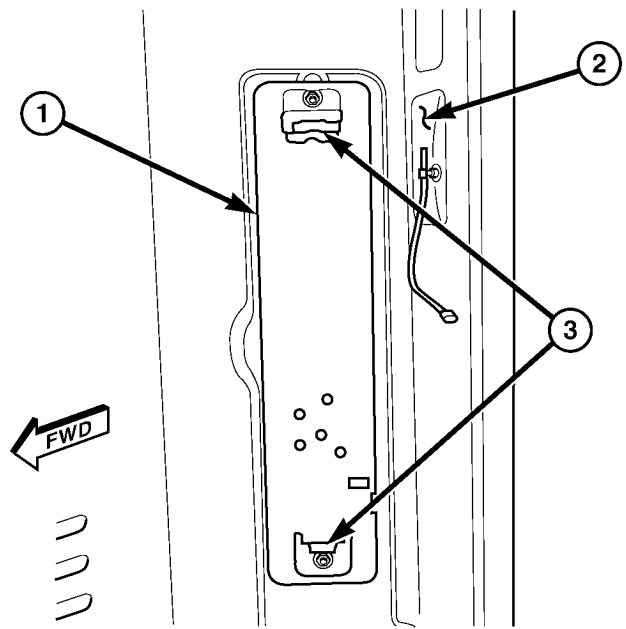
REAR SIDE MARKER LAMP BULB

REMOVAL

(1) Disconnect and isolate the battery negative cable.

(2) If the vehicle is so equipped, remove the trim from the inside of the right or left rear corner pillar.

(3) From inside the vehicle, use hand pressure to push the two latch tabs toward the center of the tail lamp unit socket plate and pull the socket plate straight out from the inner rear pillar (Fig. 39).

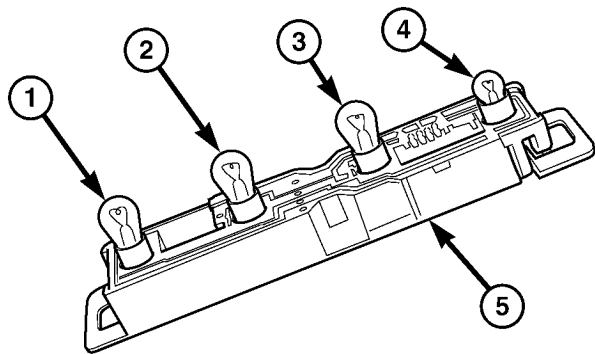


81113c1d

Fig. 39 Tail Lamp Socket Plate Remove/Install

- 1 - SOCKET PLATE
- 2 - INNER REAR PILLAR
- 3 - LATCH TAB (2)

(4) Pull the socket plate away from the inner rear pillar far enough to access the side marker lamp bulb (Fig. 40).



81113c24

Fig. 40 Tail Lamp Bulb Remove/Install

- 1 - BRAKE/PARK LAMP BULB
- 2 - BACKUP LAMP BULB
- 3 - TURN SIGNAL LAMP BULB
- 4 - SIDE MARKER LAMP BULB
- 5 - TAIL LAMP SOCKET PLATE

(5) Remove the side marker lamp bulb from the tail lamp socket plate.

INSTALLATION

(1) Install the side marker lamp bulb into the tail lamp socket plate (Fig. 40).

(2) Align the socket plate with the mounting hole in the inner rear pillar.

- (3) Using hand pressure, push the socket plate gently and evenly into the inner rear pillar mounting hole until both latch tabs are fully engaged (Fig. 39).
- (4) If the vehicle is so equipped, reinstall the trim onto the inside of the right or left rear corner pillar.
- (5) Reconnect the battery negative cable.

REAR TURN LAMP BULB

REMOVAL

- (1) Disconnect and isolate the battery negative cable.
- (2) If the vehicle is so equipped, remove the trim from the inside of the right or left rear corner pillar.
- (3) From inside the vehicle, use hand pressure to push the two latch tabs toward the center of the tail lamp unit socket plate and pull the socket plate straight out from the inner rear pillar (Fig. 41).

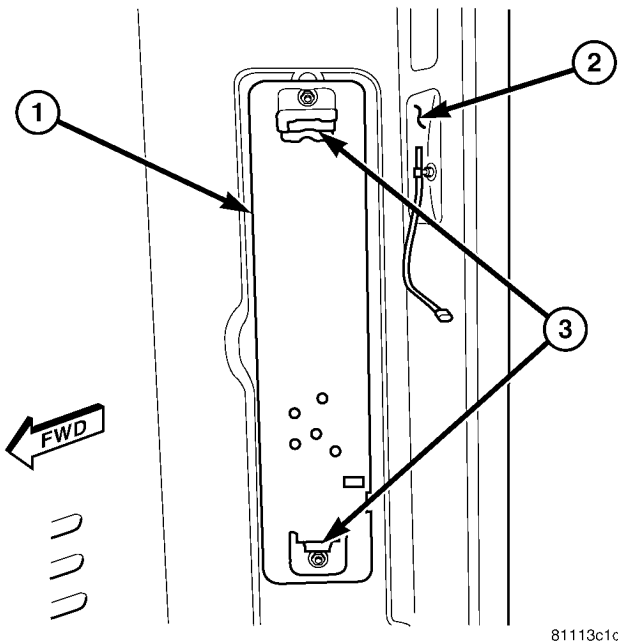
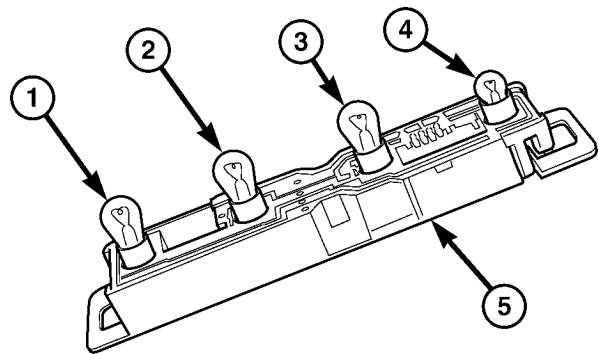


Fig. 41 Tail Lamp Socket Plate Remove/Install

- 1 - SOCKET PLATE
- 2 - INNER REAR PILLAR
- 3 - LATCH TAB (2)

- (4) Pull the socket plate away from the inner rear pillar far enough to access the turn signal lamp bulb (Fig. 42).



81113c24

Fig. 42 Tail Lamp Bulb Remove/Install

- 1 - BRAKE/PARK LAMP BULB
- 2 - BACKUP LAMP BULB
- 3 - TURN SIGNAL LAMP BULB
- 4 - SIDE MARKER LAMP BULB
- 5 - TAIL LAMP SOCKET PLATE

- (5) Remove the turn signal lamp bulb from the tail lamp socket plate.

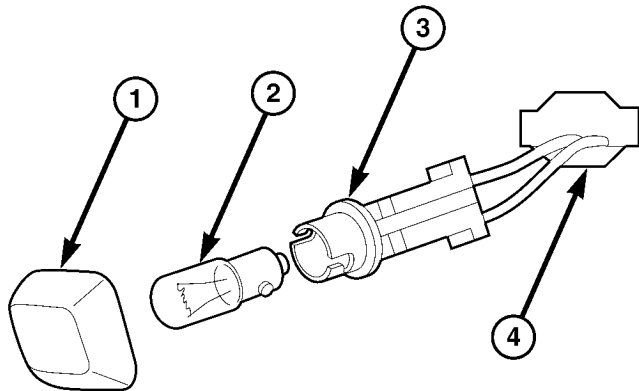
INSTALLATION

- (1) Install the turn signal lamp bulb into the tail lamp socket plate (Fig. 42).
- (2) Align the socket plate with the mounting hole in the inner rear pillar.
- (3) Using hand pressure, push the socket plate gently and evenly into the inner rear pillar mounting hole until both latch tabs are fully engaged (Fig. 41).
- (4) If the vehicle is so equipped, reinstall the trim onto the inside of the right or left rear corner pillar.
- (5) Reconnect the battery negative cable.

REPEATER LAMP BULB

REMOVAL

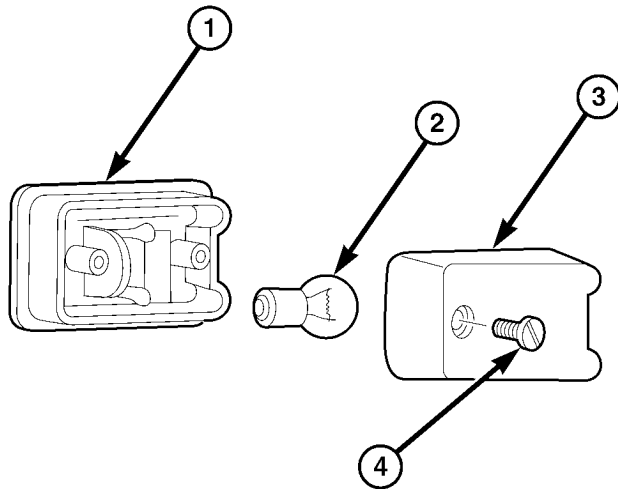
- (1) Disconnect and isolate the battery negative cable.
- (2) Remove the small or large style repeater lamp unit from its mounting location, but do not disconnect it from the vehicle wire harness. (Refer to 8 - ELECTRICAL/LAMPS/LIGHTING - EXTERIOR/REPEATER LAMP - REMOVAL).
- (3) Remove the bulb holder from the lens (small type) (Fig. 43), or the lens from the lamp housing (large type) (Fig. 44).



8131ebc8

Fig. 43 Small Repeater Lamp Bulb Remove/Install

- 1 - LAMP HOUSING
2 - BULB HOLDER
3 - BULB



8131ebcf

Fig. 44 Large Repeater Lamp Bulb Remove/Install

- 1 - LAMP HOUSING
2 - BULB
3 - LENS
4 - SCREW

(4) Remove the repeater lamp bulb from the bulb holder.

INSTALLATION

(1) Install the repeater lamp bulb into the bulb holder (Fig. 43) or (Fig. 44).

(2) Reinstall the bulb holder into the lens (small type), or the lens onto the lamp housing (large type).

(3) Reinstall the repeater lamp unit into its mounting location. (Refer to 8 - ELECTRICAL/

LAMPS/LIGHTING - EXTERIOR/REPEATER LAMP - INSTALLATION).

(4) Reconnect the battery negative cable.

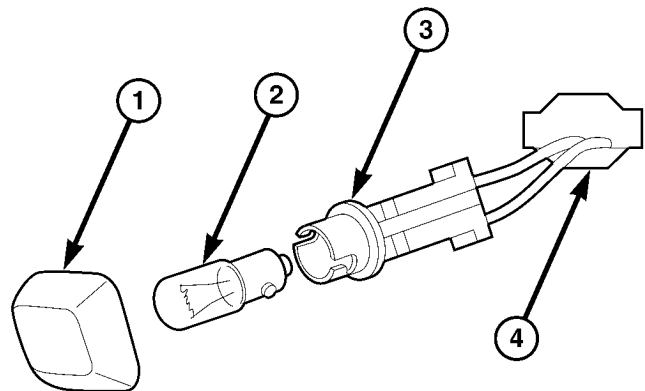
REPEATER LAMP UNIT

REMOVAL

SMALL

(1) Disconnect and isolate the battery negative cable.

(2) Using hand pressure, press the rear edge of the repeater lamp lens/housing toward the front of the vehicle against the spring pressure of the retaining clip, then pull the rear edge of the lamp outward to disengage it from the mounting hole (Fig. 45).



8131ebc8

Fig. 45 Small Repeater Lamp Unit Remove/Install

- 1 - LAMP HOUSING
2 - BULB HOLDER
3 - BULB

(3) Pull the repeater lamp housing slightly to the rear to disengage the front edge of the unit from the mounting hole.

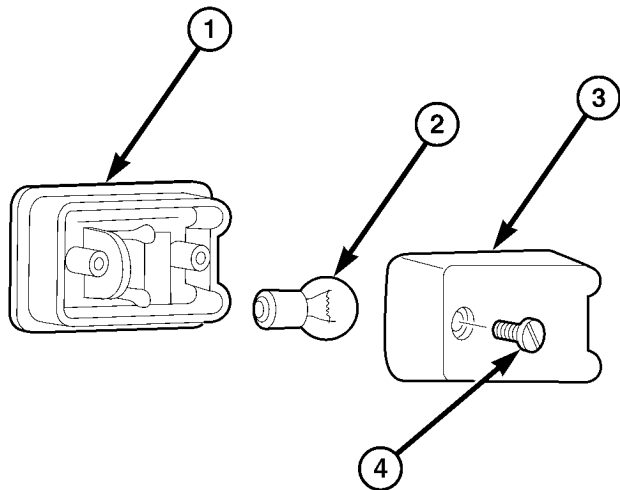
(4) Disconnect the vehicle wire harness connector from the connector receptacle of the bulb holder on the back of the repeater lamp unit.

(5) Remove the repeater lamp unit from the vehicle.

LARGE

(1) Disconnect and isolate the battery negative cable.

(2) Remove the screw that secures the lens and the repeater lamp housing to the fender panel (Fig. 46).



8131ebcf

Fig. 46 Large Repeater Lamp Unit Remove/Install

- 1 - LAMP HOUSING
- 2 - BULB
- 3 - LENS
- 4 - SCREW

- (3) Pull the repeater lamp lens and housing outward to disengage the unit from the mounting hole.
- (4) Disconnect the vehicle wire harness connector from the connector receptacle on the back of the repeater lamp unit.
- (5) Remove the repeater lamp unit from the vehicle.

INSTALLATION

SMALL

- (1) Position the repeater lamp unit to the mounting hole on the fender panel (Fig. 45).
- (2) Reconnect the vehicle wire harness connector to the connector receptacle of the bulb holder on the back of the repeater lamp unit.
- (3) Engage the front edge of the repeater lamp unit into the front edge of the mounting hole.
- (4) Using hand pressure, press the rear edge of the repeater lamp lens/housing toward the front of the vehicle against the spring pressure of the retaining clip, then push the rear edge of the lamp into the rear of the mounting hole.
- (5) Reconnect the battery negative cable.

LARGE

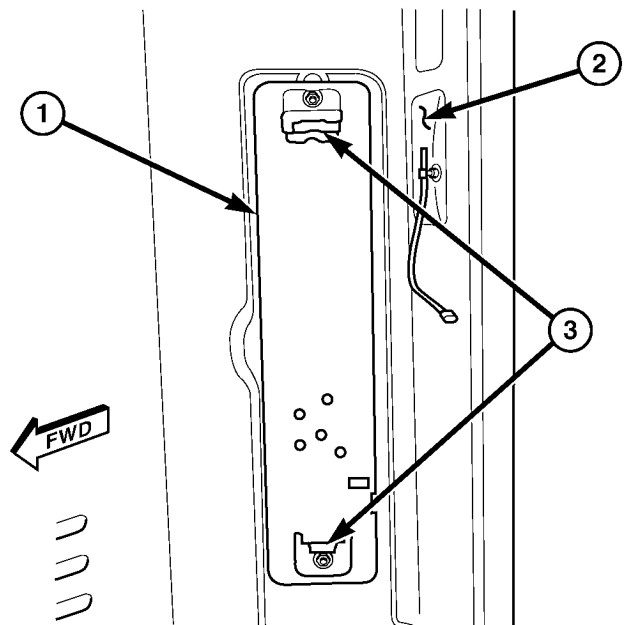
- (1) Position the repeater lamp unit near the mounting hole on the fender panel (Fig. 46).
- (2) Reconnect the vehicle wire harness connector to the connector receptacle on the back of the repeater lamp unit.
- (3) Position the repeater lamp lens and housing to the mounting hole as a unit.

- (4) Install and tighten the screw that secures the lens and the repeater lamp housing to the fender panel.
- (5) Reconnect the battery negative cable.

TAIL LAMP UNIT

REMOVAL

- (1) Disconnect and isolate the battery negative cable.
- (2) If the vehicle is so equipped, remove the trim from the inside of the right or left rear corner pillar.
- (3) From inside the vehicle, use hand pressure to push the two latch tabs toward the center of the tail lamp unit socket plate and pull the socket plate straight out from the inner rear pillar (Fig. 47).



81113c1d

Fig. 47 Tail Lamp Socket Plate Remove/Install

- 1 - SOCKET PLATE
- 2 - INNER REAR PILLAR
- 3 - LATCH TAB (2)

- (4) Pull the socket plate away from the inner rear pillar far enough to access the tail lamp unit mounting nuts (Fig. 48).

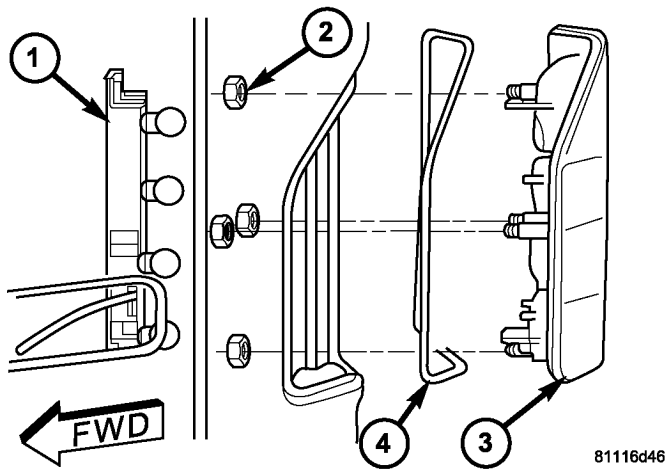


Fig. 48 Tail Lamp Unit Remove/Install

- 1 - SOCKET PLATE
- 2 - NUT (4)
- 3 - LAMP HOUSING
- 4 - GASKET

(5) From the inside of the vehicle, remove the four nuts that secure the tail lamp unit housing to the vehicle.

(6) Remove the tail lamp unit housing and gasket from the outside of the vehicle.

INSTALLATION

(1) Position the tail lamp unit housing and gasket to the outside of the vehicle (Fig. 48).

(2) From the inside of the vehicle, install and tighten the four nuts that secure the tail lamp unit housing to the vehicle.

(3) Align the socket plate with the mounting hole in the inner rear pillar.

(4) Using hand pressure, push the socket plate gently and evenly into the inner rear pillar mounting hole until both latch tabs are fully engaged.

(5) If the vehicle is so equipped, reinstall the trim onto the inside of the right or left rear corner pillar.

(6) Reconnect the battery negative cable.

TURN SIGNAL RELAY

REMOVAL

WARNING: To avoid personal injury or death, on vehicles equipped with airbags, disable the supplemental restraint system before attempting any steering wheel, steering column, airbag, seat belt tensioner, or instrument panel component diagnosis or service. Disconnect and isolate the battery negative (ground) cable, then wait two minutes for the system capacitor to discharge before performing further diagnosis or service. This is the only sure way to disable the supplemental restraint system.

tem. Failure to take the proper precautions could result in accidental airbag deployment.

(1) Disconnect and isolate the battery negative cable.

(2) Remove the fuse access panel from the steering column opening cover below the steering column on the instrument panel.

(3) Reach through and below the inboard side of the fuse access opening to access the turn signal relay (Fig. 49).

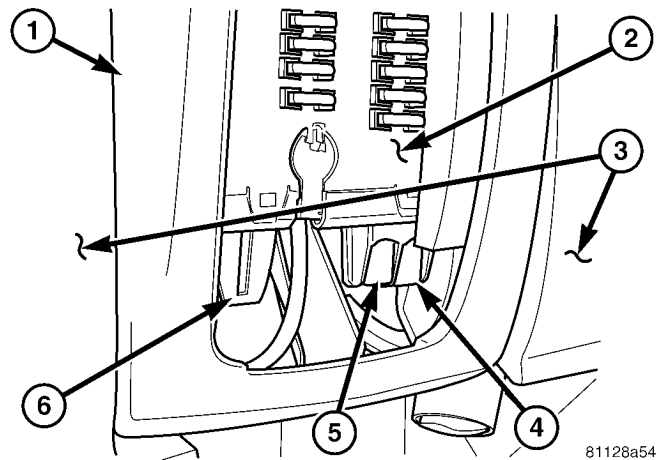


Fig. 49 Turn Signal Relay

- 1 - STEERING COLUMN OPENING COVER
- 2 - FUSE BLOCK
- 3 - LOWER INSTRUMENT PANEL
- 4 - TURN SIGNAL RELAY
- 5 - ENGINE CONTROL MODULE RELAY
- 6 - WIPER RELAY

(4) Remove the turn signal relay by grasping it firmly, releasing the latches and pulling it straight down from the receptacle on the bottom of the fuse block.

INSTALLATION

WARNING: To avoid personal injury or death, on vehicles equipped with airbags, disable the supplemental restraint system before attempting any steering wheel, steering column, airbag, seat belt tensioner, or instrument panel component diagnosis or service. Disconnect and isolate the battery negative (ground) cable, then wait two minutes for the system capacitor to discharge before performing further diagnosis or service. This is the only sure way to disable the supplemental restraint system. Failure to take the proper precautions could result in accidental airbag deployment.

(1) Position the turn signal relay to the receptacle on the bottom of the fuse block (Fig. 49).

(2) Align the turn signal relay terminals with the terminal cavities in the fuse block receptacle.

(3) Push firmly and evenly on the top of the turn signal relay until the terminals are fully seated in the terminal cavities in the receptacle of the fuse block and both latches are fully engaged.

(4) Reinstall the fuse access panel onto the steering column opening cover below the steering column on the instrument panel.

(5) Reconnect the battery negative cable.

LAMPS / LIGHTING - INTERIOR

TABLE OF CONTENTS

	page		page
LAMPS/LIGHTING - INTERIOR		INSTALLATION	32
DESCRIPTION	28	DOME/READING LAMP UNIT	
OPERATION	29	REMOVAL	32
SPECIFICATIONS - INTERIOR LIGHTING	29	INSTALLATION	33
ASH RECEIVER/CIGAR LIGHTER LAMP UNIT		DOME LAMP/INTRUSION SENSOR BULB	
REMOVAL	30	REMOVAL	33
INSTALLATION	30	INSTALLATION	33
CARGO/DOME LAMP BULB		DOME LAMP/INTRUSION SENSOR	
REMOVAL	30	REMOVAL	33
INSTALLATION	30	INSTALLATION	34
CARGO/DOME LAMP UNIT		DOOR JAMB SWITCH	
REMOVAL	31	REMOVAL	34
INSTALLATION	31	INSTALLATION	34
CARGO LAMP SWITCH		ENTRY/EXIT LAMP BULB	
REMOVAL		REMOVAL	34
REMOVAL - INSTRUMENT PANEL	31	INSTALLATION	35
REMOVAL - BULKHEAD	31	ENTRY/EXIT LAMP UNIT	
REMOVAL - REAR PILLAR	31	REMOVAL	35
INSTALLATION		INSTALLATION	35
INSTALLATION - INSTRUMENT PANEL	32	TIME DELAY RELAY	
INSTALLATION - BULKHEAD	32	REMOVAL	35
INSTALLATION - REAR PILLAR	32	INSTALLATION	36
DOME/READING LAMP BULB			
REMOVAL	32		

LAMPS / LIGHTING - INTERIOR

DESCRIPTION

The interior lighting for this model includes the following standard and optional incandescent interior lamps and controls:

- **Ash Receiver/Cigar Lighter Lamp** - An available ash receiver/cigar lighter lamp is secured by an integral mount to the outside of the cigar lighter halo ring. A single lamp serves to illuminate both the translucent halo ring and the ash receiver.

- **Cargo/Dome Lamp** - Several cargo/dome lamp units located overhead in both the front and rear of the vehicle interior are standard equipment. These lamps feature a single incandescent bulb. An optional version of these lamps includes an integral three-position switch that protrudes through the lamp lens.

- **Cargo Lamp Switch** - Toggle-type remote cargo lamp switches located in the accessory switch bezel in the center of the instrument panel, on the back side of the cargo compartment bulkhead panel, and on the rear cargo door pillar are an available option on all van models. The instrument panel switch has two Light-Emitting Diode (LED) units,

one for illumination and a second that provides an indication. The switches mounted in the cargo compartment also have two LED units, but only the indication LED unit is functional in this application.

- **Dome/Reading Lamp** - An optional equipment dome/reading lamp unit is located in the windshield header area between the driver and passenger sun visors. This lamp features two incandescent bulbs, one dome lamp bulb and a second, dedicated reading lamp bulb. An integral four-position switch protrudes through the lamp lens.

- **Dome Lamp/Intrusion Sensor** - An optional equipment dome lamp/intrusion sensor unit is located overhead in the vehicle interior. This lamp features four incandescent bulbs, two for dome lamps and two for dedicated right and left reading lamps. This lamp has two integral three-position switches, one to control interior lamp operation and one to control reading lamp operation. This lamp also houses three intrusion sensors that are part of an optional vehicle theft security system.

- **Door Jamb Switch** - A door jamb switch for each front door is standard equipment on all models. A door jamb switch for each sliding side door and the

right rear door is standard equipment on wagon models. The sliding and rear door jamb switches are not available for van models.

- **Entry/Exit Lamp** - An entry/exit lamp to illuminate each front and sliding side door step well is optional equipment on wagon models.

- **Time Delay Relay** - Vehicles equipped with the optional remote cargo lamp switches also have a time delay relay located in the electrical center within the driver side front seat riser.

Hard wired circuitry connects the interior lighting system components to the electrical system of the vehicle. These hard wired circuits are integral to several wire harnesses, which are routed throughout the vehicle and retained by many different methods. These circuits may be connected to each other, to the vehicle electrical system and to the interior lighting system components through the use of a combination of soldered splices, splice block connectors, and many different types of wire harness terminal connectors and insulators. Refer to the appropriate wiring information. The wiring information includes wiring diagrams, proper wire and connector repair procedures, further details on wire harness routing and retention, as well as pin-out and location views for the various wire harness connectors, splices and grounds.

OPERATION

The interior lighting systems can be divided into two general classifications based upon the circuit that controls their operation: The interior lighting circuit, or the exterior lighting circuit. The hard wired circuits and components of the interior lighting systems may be diagnosed and tested using conventional diagnostic tools and procedures.

INTERIOR LIGHTING CIRCUIT

Depending upon the vehicle model (van or wagon) and the selected vehicle options the interior lighting circuit may include dome/cargo lamps located overhead in the front and rear of the vehicle, a dome/reading lamp located in the header area above the windshield between the sun visors, and entry/exit lamps located in the front and sliding side door step wells.

WAGON MODELS

In all wagon models, the lamps in the interior lighting circuit are provided with battery current at all times by a fuse in the fuse block beneath the steering column. The front, side, and rear door jamb switches control a ground path for each of these lamps, except for the optional reading lamp. If the lamp has an optional integral switch, that switch has three separate positions. The first position provides a ground path independent of the door jamb switches to turn the lamp On. The second, or center position allows the door jamb switches to control the lamp.

The third position segregates that lamp from the door jamb switch input, turning the lamp Off. In the case of the optional dome/reading lamp, the integral lamp switch has a fourth position which will illuminate only the reading lamp bulb.

VAN MODELS

Unless a van model is equipped with an optional remote cargo lamp switch, all of the lamps in the interior lighting circuit operate the same way as the wagon models except that there are only two door jamb switches, one for each front door. If the vehicle is equipped with an optional remote cargo lamp switch, the lamps in the rear of the vehicle on the interior lighting circuit are provided with battery current by the time delay relay. The time delay relay is a smart relay containing active electronic elements that comprise an electronic timer logic circuit. When the remote cargo lamp switches provide the proper input to the time delay relay, the relay logic responds by energizing the relay control coil. The energized relay control coil provides battery current to all of the lamps on the rear interior lighting circuit and to the indicator Light-Emitting Diode (LED) units in the remote cargo switches causing each to illuminate. If a remote cargo lamp switch remains On for more than about fifteen minutes, the time delay relay will then automatically de-energize the rear interior lighting circuits until the remote cargo lamp switch is cycled Off and then back On.

EXTERIOR LIGHTING CIRCUIT

The exterior lighting circuit provides battery current to the optional ash receiver/cigar lighter lamp and to the illumination Light-Emitting Diode (LED) unit within the remote cargo lamp switch in the instrument panel accessory switch bezel whenever the exterior lamps are turned On.

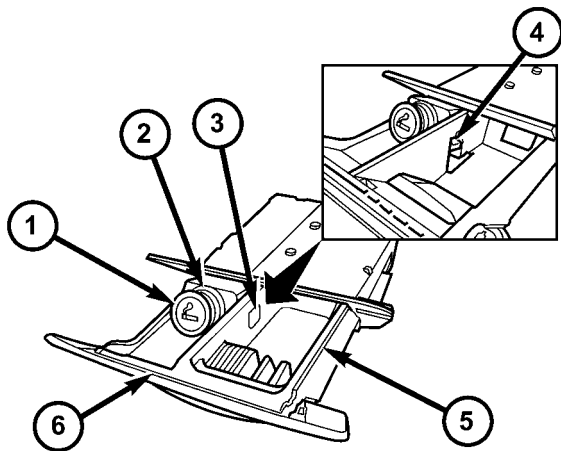
SPECIFICATIONS - INTERIOR LIGHTING

BULB SPECIFICATIONS

LAMP	BULB
Cargo/Dome Lamp	K - 12V 18W
Dome/Reading Lamp	K - 12V 10W
Dome Lamp w/Intrusion Sensor	K - 12V 6W
Entry/Exit Lamp	W5W - 12V 5W

ASH RECEIVER / CIGAR LIGHTER LAMP UNIT

REMOVAL



810d3be2

Fig. 1 Ash Receiver/Cigar Lighter Lamp Unit

- 1 - CIGAR LIGHTER
- 2 - HALO RING
- 3 - LENS
- 4 - LAMP UNIT (BIN REMOVED)
- 5 - ASH RECEIVER BIN
- 6 - ASH RECEIVER

An ash receiver/cigar lighter lamp unit is optional equipment on this model (Fig. 1). The bulb and bulb holder are secured by an integral mount to the outside of the cigar lighter halo ring, and serves to illuminate both the translucent halo ring and the ash receiver. A small lens that is snap-fit into the inboard side of the ash receiver bin allows light from the lamp on the halo ring to also illuminate the ash receiver. The ash receiver/cigar lighter lamp is serviced only as a unit with the ash receiver housing and cigar lighter receptacle. If the lamp is faulty or damaged, the entire ash receiver housing and cigar lighter receptacle unit must be replaced. (Refer to 23 - BODY/INSTRUMENT PANEL/ASH RECEIVER - REMOVAL).

INSTALLATION

An ash receiver/cigar lighter lamp unit is optional equipment on this model (Fig. 1). The bulb and bulb holder are secured by an integral mount to the out-

side of the cigar lighter halo ring, and serves to illuminate both the translucent halo ring and the ash receiver. A small lens that is snap-fit into the inboard side of the ash receiver bin allows light from the lamp on the halo ring to also illuminate the ash receiver. The ash receiver/cigar lighter lamp is serviced only as a unit with the ash receiver housing and cigar lighter receptacle. If the lamp is faulty or damaged, the entire ash receiver housing and cigar lighter receptacle unit must be replaced. (Refer to 23 - BODY/INSTRUMENT PANEL/ASH RECEIVER - INSTALLATION).

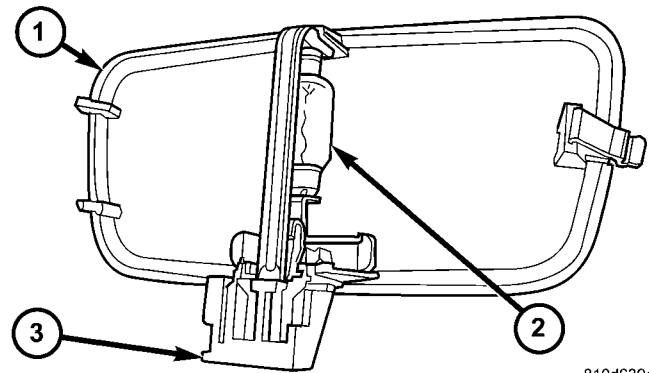
CARGO / DOME LAMP BULB

REMOVAL

(1) Disconnect and isolate the battery negative cable.

(2) Remove the cargo/dome lamp unit from its mounting location, but do not disconnect the vehicle wire harness from the lamp connector receptacle. (Refer to 8 - ELECTRICAL/LAMPS/LIGHTING - INTERIOR/CARGO/DOME LAMP UNIT - REMOVAL).

(3) Grasp the lamp housing in one hand and carefully pull the bulb out of the bulb holder with the other hand (Fig. 2).



810d639c

Fig. 2 Cargo/Dome Lamp Bulb Remove/Install

- 1 - LAMP HOUSING
- 2 - BULB
- 3 - CONNECTOR RECEPTACLE

INSTALLATION

(1) Grasp the cargo/dome lamp housing in one hand and carefully insert the bulb into the bulb holder with the other hand (Fig. 2).

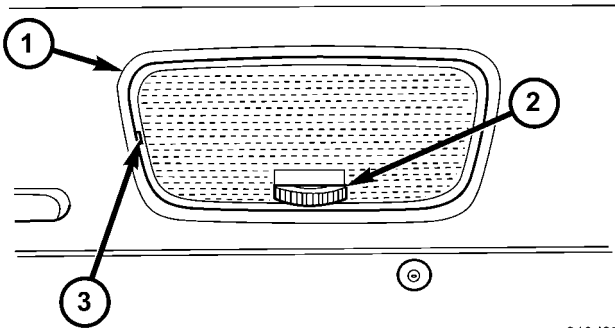
(2) Reinstall the cargo/dome lamp unit into its mounting location. (Refer to 8 - ELECTRICAL/LAMPS/LIGHTING - INTERIOR/CARGO/DOME LAMP UNIT - INSTALLATION).

(3) Reconnect the battery negative cable.

CARGO / DOME LAMP UNIT

REMOVAL

- (1) Disconnect and isolate the battery negative cable.
- (2) Insert the tip of a small flat-bladed screwdriver into the notch on one edge of the cargo/dome lamp housing to depress the retainer clip and pull that edge of the lamp away from its mounting location (Fig. 3).



810d6577

Fig. 3 Cargo/Dome Lamp Unit Remove/Install

- 1 - LAMP HOUSING
- 2 - SWITCH BUTTON
- 3 - NOTCH

- (3) Pull the cargo/dome lamp unit from its mounting location far enough to access and disconnect the vehicle wire harness from the lamp connector receptacle.
- (4) Remove the cargo/dome lamp unit from its mounting location.

INSTALLATION

- (1) Position the cargo/dome lamp unit to its mounting location.
- (2) Reconnect the vehicle wire harness connector to the cargo/dome lamp connector receptacle (Fig. 3).
- (3) Position the edge of the cargo/dome lamp housing opposite from the retainer clip into the mounting hole.
- (4) Push firmly and evenly on the notched edge of the cargo/dome lamp housing until the retainer clip latches into place.
- (5) Reconnect the battery negative cable.

CARGO LAMP SWITCH

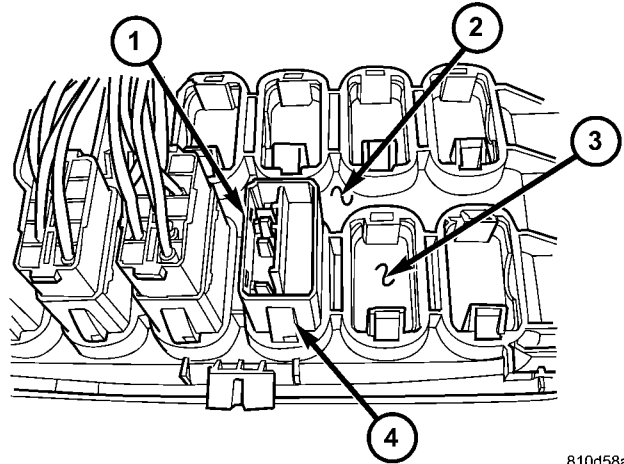
REMOVAL

REMOVAL - INSTRUMENT PANEL

- (1) Disconnect and isolate the battery negative cable.

(2) Remove the accessory switch bezel from the instrument panel. (Refer to 23 - BODY/INSTRUMENT PANEL/ACCESSORY SWITCH BEZEL - REMOVAL).

(3) From the back of the accessory switch bezel, disconnect the vehicle wire harness connector for the cargo lamp switch from the receptacle on the back of the switch (Fig. 4).



810d58a4

Fig. 4 Cargo Lamp Switch - Accessory Switch Bezel Mounted Remove/Install

- 1 - SWITCH (TYPICAL)
- 2 - ACCESSORY SWITCH BEZEL
- 3 - BLOCK-OUT PLATE
- 4 - LATCH (2)

(4) From the back of the accessory switch bezel, depress the two latches on the outside of the switch body and push the switch out through the front of the bezel.

REMOVAL - BULKHEAD

- (1) Disconnect and isolate the battery negative cable.
- (2) Carefully pry the cargo lamp switch and switch bezel out of the switch box on the back of the cargo compartment bulkhead panel.
- (3) Pull the cargo lamp switch and bezel away from the switch box far enough to access and disconnect the vehicle wire harness connector for the switch from the receptacle on the back of the switch.
- (4) From the back of the switch bezel, depress the two latches on the outside of the cargo lamp switch body and push the switch out through the top of the switch bezel.

REMOVAL - REAR PILLAR

- (1) Disconnect and isolate the battery negative cable.
- (2) Carefully pry the cargo lamp switch and switch bezel out of the switch mounting hole on the inside of the rear door opening pillar.

(3) Pull the cargo lamp switch and bezel away from the pillar far enough to access and disconnect the vehicle wire harness connector for the switch from the receptacle on the back of the switch.

(4) From the back of the switch bezel, depress the two latches on the outside of the cargo lamp switch body and push the switch out through the top of the switch bezel.

INSTALLATION

INSTALLATION - INSTRUMENT PANEL

(1) From the front of the accessory switch bezel, align the cargo lamp switch body with the opening in the bezel and push the switch into the bezel until the two latches on the outside of the switch body snap into place (Fig. 4).

(2) From the back of the accessory switch bezel, reconnect the vehicle wire harness connector for the cargo lamp switch to the receptacle on the back of the switch.

(3) Reinstall the accessory switch bezel onto the instrument panel. (Refer to 23 - BODY/INSTRUMENT PANEL/ACCESSORY SWITCH BEZEL - INSTALLATION).

(4) Reconnect the battery negative cable.

INSTALLATION - BULKHEAD

(1) From the front of the switch bezel, align the cargo lamp switch body with the opening in the bezel and push the switch into the bezel until the two latches on the outside of the switch body snap into place.

(2) Reconnect the vehicle wire harness connector for the cargo lamp switch to the receptacle on the back of the switch.

(3) Using hand pressure, firmly and evenly press the cargo lamp switch and switch bezel into the switch box on the back of the cargo compartment bulkhead panel.

(4) Reconnect the battery negative cable.

INSTALLATION - REAR PILLAR

(1) From the front of the switch bezel, align the cargo lamp switch body with the opening in the bezel and push the switch into the bezel until the two latches on the outside of the switch body snap into place.

(2) Reconnect the vehicle wire harness connector for the cargo lamp switch to the receptacle on the back of the switch.

(3) Using hand pressure, firmly and evenly press the cargo lamp switch and switch bezel into the switch mounting hole on the inside of the rear door opening pillar.

(4) Reconnect the battery negative cable.

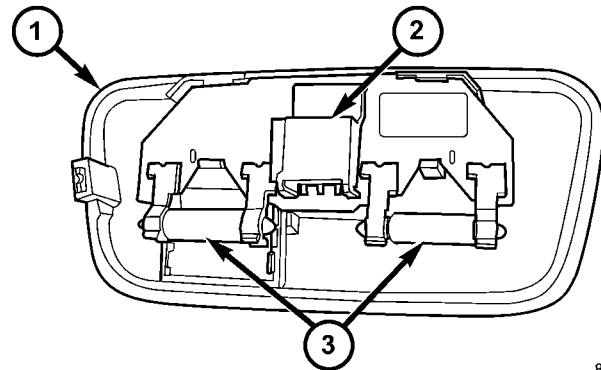
DOME / READING LAMP BULB

REMOVAL

(1) Disconnect and isolate the battery negative cable.

(2) Remove the dome/reading lamp unit from its mounting location, but do not disconnect the vehicle wire harness from the lamp connector receptacle. (Refer to 8 - ELECTRICAL/LAMPS/LIGHTING - INTERIOR/DOME/READING LAMP UNIT - REMOVAL).

(3) Grasp the lamp housing in one hand and carefully pull the bulb out of the bulb holder with the other hand (Fig. 5).



810d5809

Fig. 5 Dome/Reading Lamp Bulb Remove/Install

- 1 - LAMP HOUSING
- 2 - CONNECTOR RECEPTACLE
- 3 - BULB (2)

INSTALLATION

(1) Grasp the dome/reading lamp housing in one hand and carefully insert the bulb into the bulb holder with the other hand (Fig. 5).

(2) Reinstall the dome/reading lamp unit into its mounting location. (Refer to 8 - ELECTRICAL/LAMPS/LIGHTING - INTERIOR/DOME/READING LAMP UNIT - INSTALLATION).

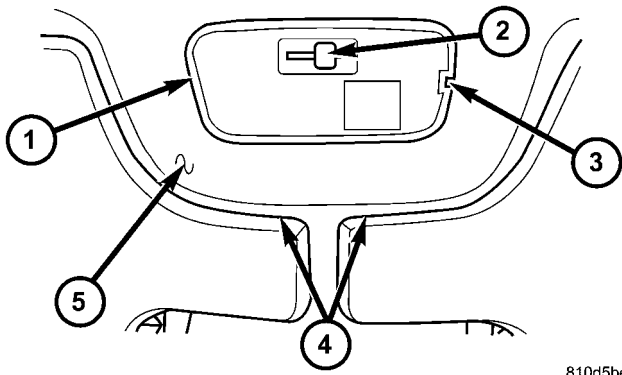
(3) Reconnect the battery negative cable.

DOME / READING LAMP UNIT

REMOVAL

(1) Disconnect and isolate the battery negative cable.

(2) Insert the tip of a small flat-bladed screwdriver into the notch on one edge of the dome/reading lamp housing to depress the retainer clip and pull that edge of the lamp away from its mounting location (Fig. 6).



810d5bee

Fig. 6 Dome/Reading Lamp Unit Remove/Install

- 1 - LAMP HOUSING
- 2 - SWITCH BUTTON
- 3 - NOTCH
- 4 - SUN VISOR (2)
- 5 - HEADLINER

(3) Pull the dome/reading lamp unit from its mounting location far enough to access and disconnect the vehicle wire harness from the lamp connector receptacle.

(4) Remove the dome/reading lamp unit from its mounting location.

INSTALLATION

(1) Position the dome/reading lamp unit to its mounting location.

(2) Reconnect the vehicle wire harness connector to the dome/reading lamp connector receptacle (Fig. 6).

(3) Position the edge of the dome/reading lamp housing opposite from the retainer clip into the mounting hole.

(4) Push firmly and evenly on the notched edge of the dome/reading lamp housing until the retainer clip latches into place.

(5) Reconnect the battery negative cable.

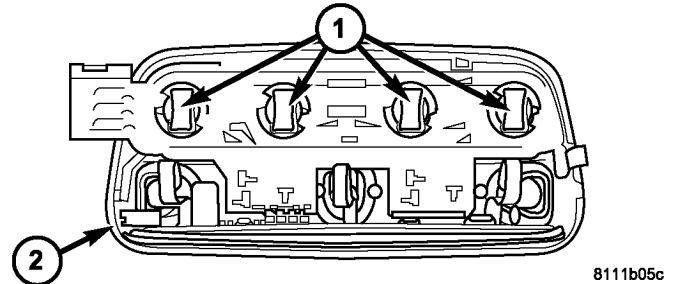
DOMELAMP / INTRUSION SENSOR BULB

REMOVAL

(1) Disconnect and isolate the battery negative cable.

(2) Remove the dome lamp/intrusion sensor unit from its mounting location, but do not disconnect the vehicle wire harness from the lamp connector receptacle. (Refer to 8 - ELECTRICAL/LAMPS/LIGHTING - INTERIOR/DOME LAMP/INTRUSION SENSOR UNIT - REMOVAL).

(3) Grasp the lamp housing in one hand and rotate the bulb holder and bulb unit counterclockwise about 30 degrees on the circuit board (Fig. 7).



8111b05c

Fig. 7 Dome Lamp/Intrusion Sensor Bulb Remove/Install

- 1 - BULB HOLDER/BULB (4)
- 2 - LAMP HOUSING

(4) Pull the bulb holder and bulb unit straight out from the mounting hole in the circuit board.

INSTALLATION

(1) Grasp the dome lamp/intrusion sensor unit housing in one hand and align the bulb holder and bulb unit with the bulb mounting hole in the circuit board with the other hand (Fig. 7).

(2) Insert the bulb holder and bulb unit straight into the circuit board bulb mounting hole until it is firmly seated.

(3) Rotate the bulb holder and bulb unit clockwise about 30 degrees on the circuit board.

(4) Reinstall the dome lamp/intrusion sensor unit into its mounting location. (Refer to 8 - ELECTRICAL/LAMPS/LIGHTING - INTERIOR/DOME LAMP/INTRUSION SENSOR UNIT - INSTALLATION).

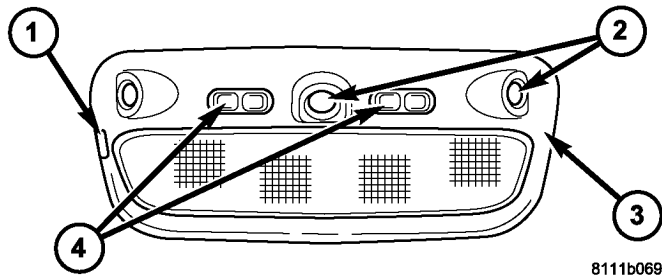
(5) Reconnect the battery negative cable.

DOMELAMP / INTRUSION SENSOR

REMOVAL

(1) Disconnect and isolate the battery negative cable.

(2) Insert the tip of a small flat-bladed screwdriver into the notch on one edge of the dome lamp/intrusion sensor unit housing to depress the retainer clip and pull that edge of the lamp away from its mounting location (Fig. 8).



8111b069

Fig. 8 Dome Lamp/Intrusion Sensor Unit Remove/Install

- 1 - NOTCH
- 2 - SENSOR (3)
- 3 - HOUSING
- 4 - SWITCH (2)

(3) Pull the dome lamp/intrusion sensor unit from its mounting location far enough to access and disconnect the vehicle wire harness from the lamp connector receptacle.

(4) Remove the dome lamp/intrusion sensor unit from its mounting location.

INSTALLATION

(1) Position the dome lamp/intrusion sensor unit to its mounting location (Fig. 8).

(2) Reconnect the vehicle wire harness connector to the dome lamp/intrusion sensor unit connector receptacle.

(3) Position the edge of the dome lamp/intrusion sensor unit housing opposite from the retainer clip into the mounting hole.

(4) Push firmly and evenly on the notched edge of the dome lamp/intrusion sensor unit housing until the retainer clip latches into place.

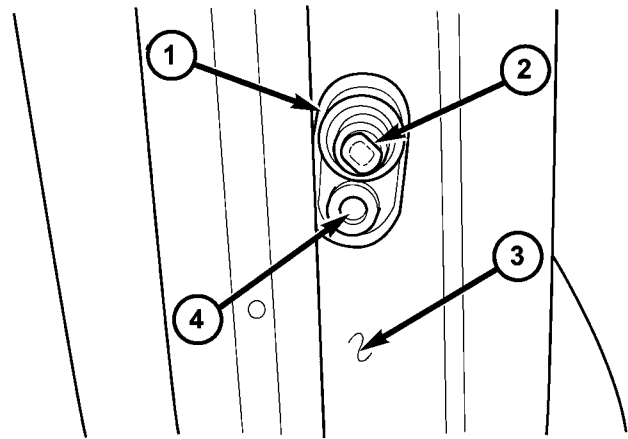
(5) Reconnect the battery negative cable.

DOOR JAMB SWITCH

REMOVAL

(1) Disconnect and isolate the battery negative cable.

(2) Open the door and remove the screw that secures the door jamb switch to the hinge pillar of the door opening (Fig. 9).



810d514d

Fig. 9 Door Jamb Switch Remove/Install

- 1 - DOOR JAMB SWITCH
- 2 - PLUNGER
- 3 - PILLAR
- 4 - SCREW

(3) Pull the door jamb switch away from the mounting hole in the pillar far enough to access and disconnect the vehicle wire harness connector from the back of the switch.

INSTALLATION

(1) Position the door jamb switch close enough to the mounting hole in the hinge pillar of the door opening to reconnect the vehicle wire harness connector to the back of the switch.

(2) Position the door jamb switch into the mounting hole in the hinge pillar (Fig. 9).

(3) Install and tighten the screw that secures the door jamb switch to the hinge pillar.

(4) Reconnect the battery negative cable.

ENTRY / EXIT LAMP BULB

REMOVAL

(1) Disconnect and isolate the battery negative cable.

(2) Remove the entry/exit lamp unit from its mounting location. (Refer to 8 - ELECTRICAL/LAMPS/LIGHTING - INTERIOR/ENTRY/EXIT LAMP UNIT - REMOVAL).

(3) Grasp the lamp housing firmly in one hand, then rotate the bulb holder counterclockwise and pull it straight out from the housing with the other hand (Fig. 10).

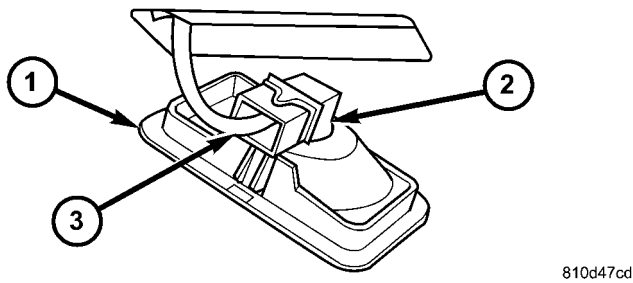


Fig. 10 Entry/Exit Lamp Bulb Remove/Install

- 1 - LAMP HOUSING
- 2 - BULB HOLDER
- 3 - CONNECTOR

(4) Remove the bulb from the bulb holder.

INSTALLATION

- (1) Insert the bulb into the entry/exit lamp bulb holder (Fig. 10).
- (2) Grasp the entry/exit lamp housing firmly in one hand, then insert the bulb holder into the housing and rotate it clockwise to lock it in place with the other hand.
- (3) Reinstall the entry/exit lamp unit into its mounting location. (Refer to 8 - ELECTRICAL/LAMPS/LIGHTING - INTERIOR/ENTRY/EXIT LAMP UNIT - INSTALLATION).
- (4) Reconnect the battery negative cable.

ENTRY / EXIT LAMP UNIT

REMOVAL

- (1) Disconnect and isolate the battery negative cable.
- (2) Insert the tip of a small flat-bladed screwdriver into the notch on one edge of the entry/exit lamp housing to depress the retainer clip and pull that edge of the lamp away from its mounting location (Fig. 11).

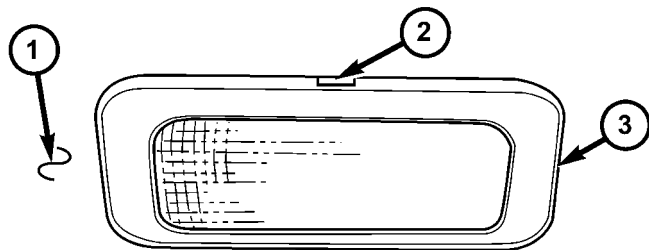


Fig. 11 Entry/Exit Lamp Unit Remove/Install

- 1 - STEP WELL SCUFF PAD
- 2 - NOTCH
- 3 - ENTRY/EXIT LAMP UNIT

(3) Pull the entry/exit lamp unit from its mounting location far enough to access and disconnect the vehicle wire harness from the lamp connector receptacle.

(4) Remove the entry/exit lamp unit from its mounting location.

INSTALLATION

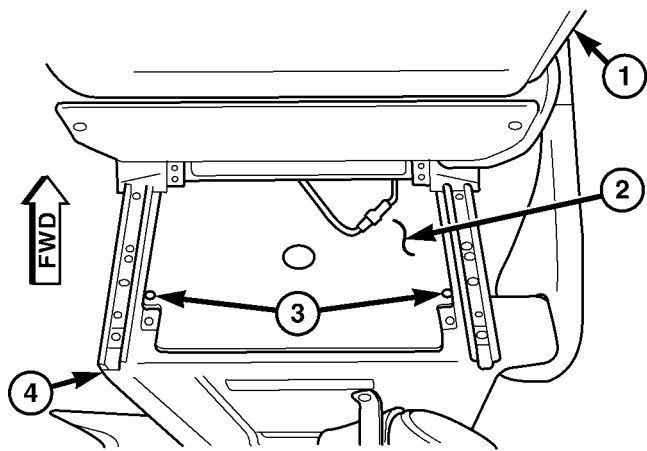
- (1) Position the entry/exit lamp unit to its mounting location.
- (2) Reconnect the vehicle wire harness connector to the entry/exit lamp connector receptacle (Fig. 11).
- (3) Position the edge of the entry/exit lamp housing opposite from the retainer clip into the mounting hole.
- (4) Push firmly and evenly on the notched edge of the entry/exit lamp housing until the retainer clip latches into place.
- (5) Reconnect the battery negative cable.

TIME DELAY RELAY

REMOVAL

WARNING: To avoid personal injury or death, on vehicles equipped with airbags, disable the supplemental restraint system before attempting any steering wheel, steering column, airbag, seat belt tensioner, or instrument panel component diagnosis or service. Disconnect and isolate the battery negative (ground) cable, then wait two minutes for the system capacitor to discharge before performing further diagnosis or service. This is the only sure way to disable the supplemental restraint system. Failure to take the proper precautions could result in accidental airbag deployment.

- (1) Disconnect and isolate the battery negative cable.
- (2) Move the driver side front seat to its most forward position for easiest access to the seat riser cover panel.
- (3) Remove the two screws that secure the cover panel to the top of the seat riser under the driver side front seat (Fig. 12).



810b7930

Fig. 12 Seat Riser Cover

- 1 - DRIVER SEAT BACK
- 2 - COVER PANEL
- 3 - SCREW (2)
- 4 - SEAT RISER

(4) Remove the cover panel from the top of the driver side seat riser.

(5) Remove the time delay relay from its vehicle wire harness connector by grasping it firmly and pulling it straight out from the connector within the driver side seat riser.

INSTALLATION

WARNING: To avoid personal injury or death, on vehicles equipped with airbags, disable the supplemental restraint system before attempting any steering wheel, steering column, airbag, seat belt tensioner, or instrument panel component diagnosis or service. Disconnect and isolate the battery negative (ground) cable, then wait two minutes for the system capacitor to discharge before performing further diagnosis or service. This is the only sure way to disable the supplemental restraint system. Failure to take the proper precautions could result in accidental airbag deployment.

(1) Position the time delay relay to its vehicle wire harness connector within the driver side seat riser.

(2) Align the time delay relay terminals with the terminal cavities in the vehicle wire harness connector.

(3) Push firmly and evenly on the top of the time delay relay until the terminals are fully seated in the terminal cavities in the vehicle wire harness connector.

(4) Position the cover panel onto the top of the driver side seat riser (Fig. 12).

(5) Install and tighten the two screws that secure the cover panel to the top of the seat riser under the driver side front seat. Tighten the screws to 2 N·m (18 in. lbs.).

(6) Move the driver side front seat back to its driving position.

(7) Reconnect the battery negative cable.

POWER SYSTEMS

TABLE OF CONTENTS

	page		page
POWER LOCKS	1	POWER WINDOWS	5
POWER MIRRORS	3		

POWER LOCKS

TABLE OF CONTENTS

	page		page
DOOR LOCK MOTOR		DIAGNOSIS AND TESTING - MASTER LOCK SWITCH	
REMOVAL	1	REMOVAL	2
INSTALLATION	1	INSTALLATION	2
REMOTE KEYLESS ENTRY TRANSMITTER			
DESCRIPTION	1		
MASTER LOCK SWITCH			
DESCRIPTION	1		

DOOR LOCK MOTOR

REMOVAL

- (1) Disconnect and isolate the battery negative cable.
- (2) Remove the door trim panel.
- (3) Remove the door lock.
- (4) Remove the door lock motor from the door lock.

INSTALLATION

- (1) Install the door lock motor to the door lock.
- (2) Install the door lock.
- (3) Install the door trim panel.
- (4) Connect the battery negative cable.

REMOTE KEYLESS ENTRY TRANSMITTER

DESCRIPTION

Pressing the unlock button on the transmitter will unlock the drivers door, pressing it a second time within 2.5 seconds will unlock all other doors. The transmitter has a range of 10 meters. A key is integral to the transmitter.

When a transmitter is lost, it is necessary to disable the affected transmitter so that it can no longer be used to operate the vehicle. It will then be necessary to program a new transmitter to the vehicle.

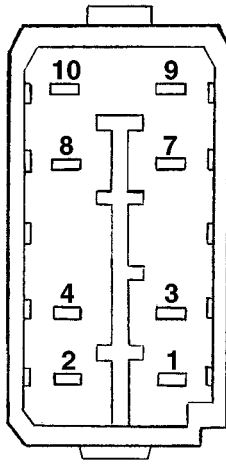
MASTER LOCK SWITCH

DESCRIPTION

The master lock switch is a momentary contact switch. Pressing the once in the up direction unlocks the driver door. Pressing it again in the same direction unlocks all doors. Pressing the button in the down direction locks all doors.

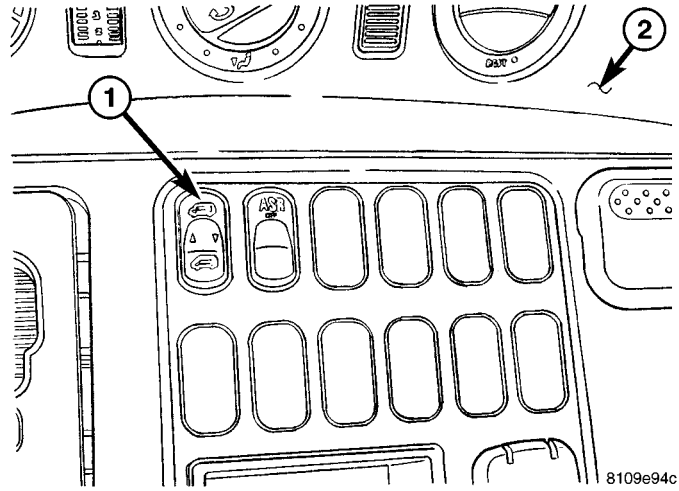
DIAGNOSIS AND TESTING - MASTER LOCK SWITCH

- (1) Disconnect and isolate the battery negative cable.
- (2) Remove the switch to be tested.
- (3) Using an ohmmeter, test switch for continuity (Fig. 1).
- (4) If test results are not obtained as shown in the test table, replace the switch.



8109e914

Fig. 1 POWER LOCK SWITCH
MASTER LOCK SWITCH



8109e94c

Fig. 2 POWER LOCK SWITCH

- 1 - CENTRAL LOCKING SWITCH
- 2 - INSTRUMENT PANEL

SWITCH POSITION	CONTINUITY BETWEEN
OPEN	4 AND 7
	4 AND 10
	7 AND 10
LOCK/UNLOCK	3 AND 4
	3 AND 7
	3 AND 10
	4 AND 7
	4 AND 10
	4 AND 8
	7 AND 8
	7 AND 10

- (3) Remove the central locking switch from the bezel (Fig. 2).

INSTALLATION

- (1) Install switch to bezel.
- (2) Install instrument panel center bezel (Refer to 23 - BODY/INSTRUMENT PANEL/INSTRUMENT PANEL CENTER BEZEL - INSTALLATION).
- (3) Connect battery negative cable.

REMOVAL

- (1) Disconnect and isolate the battery negative cable.
- (2) Remove the instrument panel center bezel (Refer to 23 - BODY/INSTRUMENT PANEL/INSTRUMENT PANEL CENTER BEZEL - REMOVAL).

POWER MIRRORS

TABLE OF CONTENTS

	page		page
POWER MIRRORS		REMOVAL	3
DESCRIPTION	3	INSTALLATION	4
POWER MIRROR SWITCH			
DIAGNOSIS AND TESTING - POWER MIRROR SWITCH	3		

POWER MIRRORS

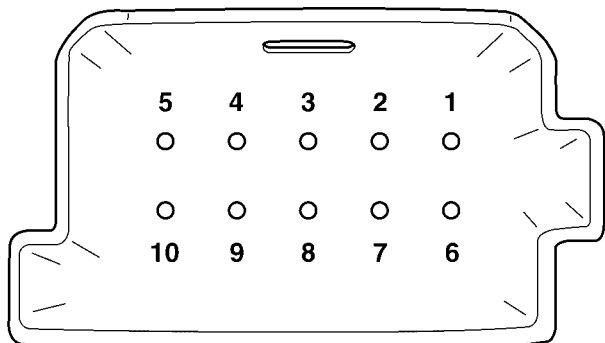
DESCRIPTION

The power operated outside rear view mirrors allow the driver to adjust both outside mirrors electrically from the driver side front seat position by operating a switch on the driver side front door trim panel. The power mirrors receive a non-switched battery feed through a fuse so that the system will remain operational, regardless of the ignition switch position.

POWER MIRROR SWITCH

DIAGNOSIS AND TESTING - POWER MIRROR SWITCH

- (1) Disconnect and isolate the battery negative cable.
- (2) Remove power mirror switch (Refer to 8 - ELECTRICAL/POWER MIRRORS/POWER MIRROR SWITCH - REMOVAL).
- (3) Using an ohmmeter, test for continuity between the terminals of the switch (Fig. 1).



8109b9f8

Fig. 1 POWER MIRROR SWITCH

MIRROR SWITCH TEST

MIRROR SELECT SWITCH IN "LEFT" POSITION	
BUTTON POSITION	CONTINUITY BETWEEN
UP	PIN 6 AND 9 PIN 6 AND 8
DOWN	PIN 2 AND 4 PIN 6 AND 10
LEFT	PIN 2 AND 3 PIN 6 AND 10
RIGHT	PIN 2 AND 3 PIN 6 AND 2
MIRROR SELECT SWITCH IN "RIGHT" POSITION	
BUTTON POSITION	CONTINUITY BETWEEN
UP	PIN 6 AND 8 PIN 6 AND 9
DOWN	PIN 6 AND 3
LEFT	PIN 1 AND 7
RIGHT	PIN 1 AND 8

REMOVAL

- (1) Disconnect and isolate the battery negative cable.
- (2) Remove the door handle trim.
- (3) Remove the mirror switch/power window switch trim (Fig. 2).

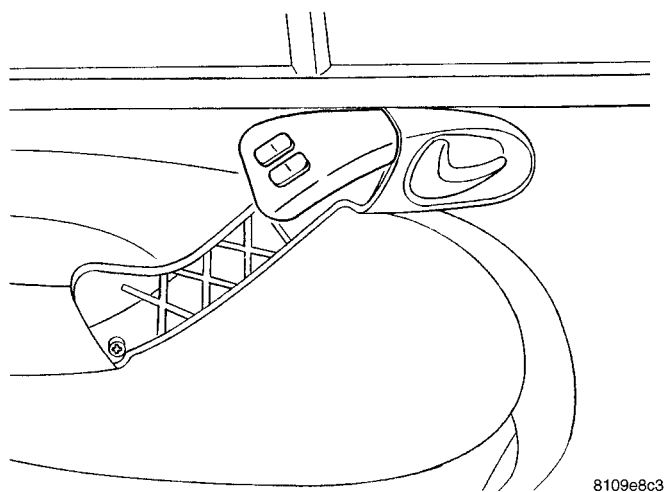


Fig. 2 POWER MIRROR SWITCH

(4) Disconnect the electrical wire harness and remove switch.

INSTALLATION

- (1) Connect electrical harness connector to switch.
- (2) install the mirror switch/power window switch trim.
- (3) Install the door handle trim.
- (4) Connect the battery negative cable.

POWER WINDOWS

TABLE OF CONTENTS

	page		page
POWER WINDOWS		POWER WINDOW SWITCH	
DESCRIPTION	5	DIAGNOSIS AND TESTING - POWER WINDOW SWITCH	5
OPERATION	5	REMOVAL	5
WINDOW MOTOR		INSTALLATION	6
REMOVAL	5		

POWER WINDOWS

DESCRIPTION

The power window system allows each of the door windows to be raised and lowered electrically by actuating a switch on each door panel. A master switch on the drivers door allows the driver to raise or lower each door window. The power window system operates only when the ignition switch is in the RUN or ACCESSORY position.

OPERATION

WINDOW SWITCH

The power window switches control the battery and ground feeds to the power window motors. The passenger door power window switches receive their battery and ground feeds through the circuitry of the drivers window switch.

WINDOW MOTOR

Window motors use permanent type magnets. The B+ and ground applied at the motor terminal pins will cause the motor to rotate in one direction. Reversing current through the motor terminals will cause the motor to rotate in the opposite direction.

Refer to the appropriate wiring information. The wiring information includes wiring diagrams, proper wire and connector repair procedures, details of wire harness routing and retention, connector pin-out information and location views for the various wire harness connectors, splices and grounds.

WINDOW MOTOR

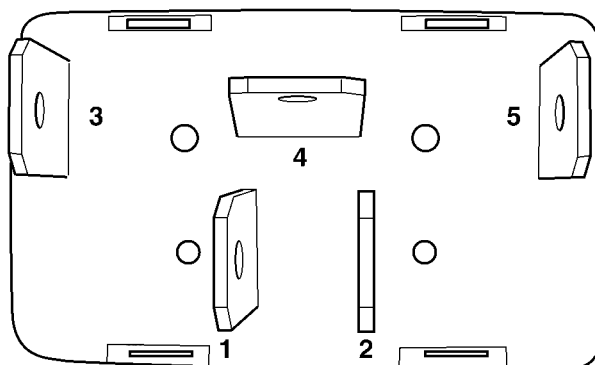
REMOVAL

The window motor is serviced with the window regulator.

POWER WINDOW SWITCH

DIAGNOSIS AND TESTING - POWER WINDOW SWITCH

Test the power window switch continuity. Refer to the Power Window Switch Continuity chart to determine if the continuity is correct in the Off, Up and Down switch positions (Fig. 1).



8109ba1e

Fig. 1 POWER WINDOW SWITCH

POWER WINDOW SWITCH CONTINUITY CHART

SWITCH POSITION	CONTINUITY BETWEEN
UP	PIN 1 AND 3
	PIN 2 AND 4
DOWN	PIN 1 AND 4
	PIN 2 AND 5
NEUTRAL (OFF)	PIN 1 AND 3
	PIN 2 AND 5

REMOVAL

- (1) Disconnect and isolate the battery negative cable.
- (2) Remove door handle cover.

- (3) Remove power window switch trim from door trim panel.
- (4) disconnect wire harness connectors from switches.
- (5) Remove power window switch from trim.

INSTALLATION

- (1) Install switch to trim.
- (2) Connect wire harness connectors to switches.
- (3) Install power window switch trim to door trim panel.
- (4) Install door handle cover.
- (5) Connect battery negative cable.

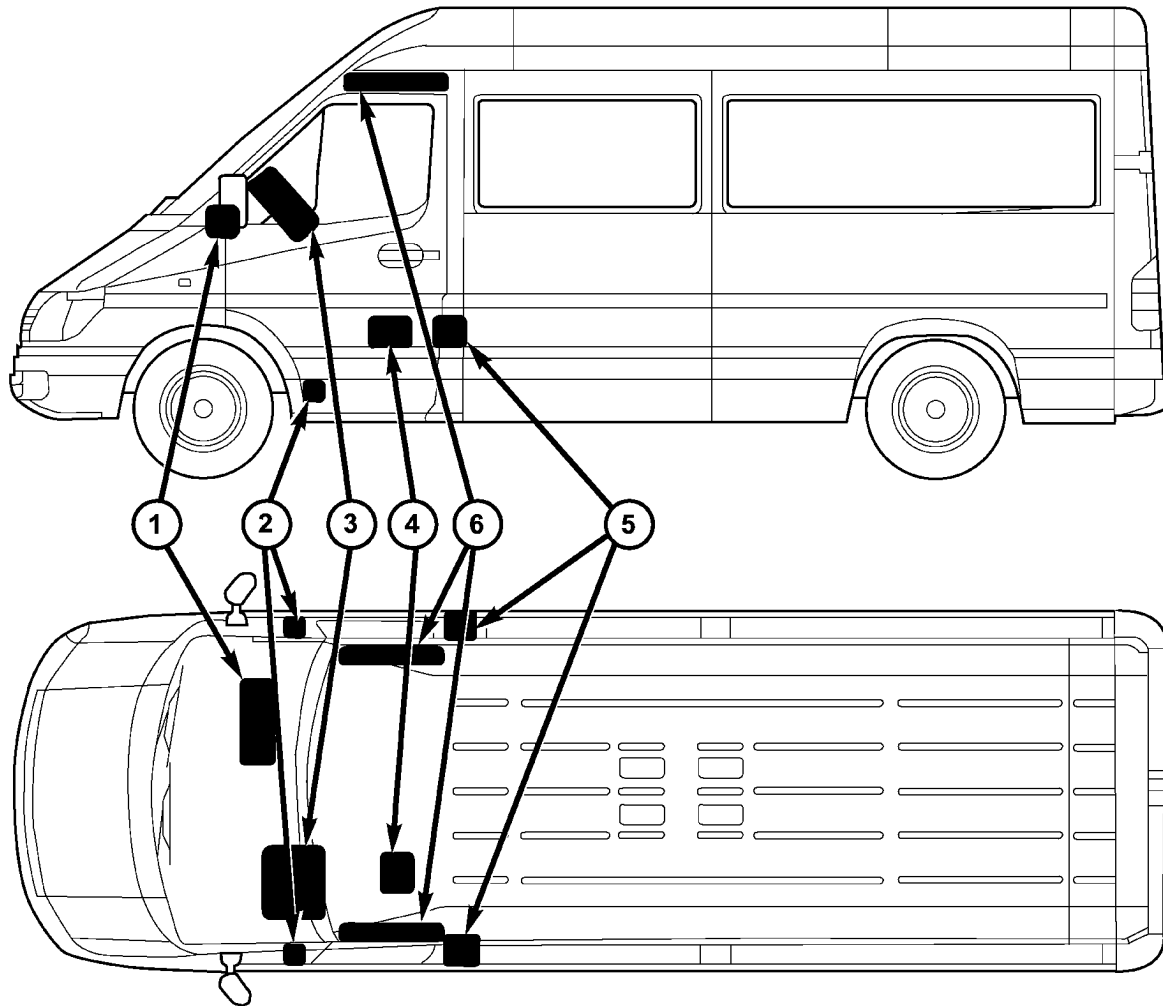
RESTRAINTS

TABLE OF CONTENTS

	page		page
RESTRAINTS		PASSENGER AIRBAG	
DESCRIPTION	2	DESCRIPTION	24
OPERATION	4	OPERATION	24
WARNINGS - RESTRAINT SYSTEM	5	REMOVAL	25
DIAGNOSIS AND TESTING - SUPPLEMENTAL RESTRAINT SYSTEM	5	INSTALLATION	27
STANDARD PROCEDURE		PASSENGER AIRBAG BRACKET	
STANDARD PROCEDURE - HANDLING NON-DEPLOYED SUPPLEMENTAL RESTRAINTS	6	REMOVAL	27
STANDARD PROCEDURE - SERVICE AFTER A SUPPLEMENTAL RESTRAINT DEPLOYMENT	6	INSTALLATION	28
STANDARD PROCEDURE - VERIFICATION TEST	7	REAR SEAT BELT & RETRACTOR	
AIRBAG CONTROL MODULE		REMOVAL	28
DESCRIPTION	8	INSTALLATION	30
OPERATION	8	REAR SEAT BELT BUCKLE	
REMOVAL	10	REMOVAL	
INSTALLATION	11	REMOVAL - INBOARD	30
CLOCKSPRING		REMOVAL - OUTBOARD	31
DESCRIPTION	12	INSTALLATION	
OPERATION	13	INSTALLATION - INBOARD	31
STANDARD PROCEDURE - CLOCKSPRING CENTERING	13	INSTALLATION - OUTBOARD	31
REMOVAL	14	SEAT BELT SWITCH	
INSTALLATION	15	DESCRIPTION	31
DRIVER AIRBAG		OPERATION	32
DESCRIPTION	16	SEAT BELT TENSIONER	
OPERATION	17	DESCRIPTION	32
REMOVAL	18	OPERATION	33
INSTALLATION	19	SEAT BELT TURNING LOOP ADJUSTER	
FRONT SEAT BELT & RETRACTOR		REMOVAL	33
REMOVAL	20	INSTALLATION	35
INSTALLATION	22	SIDE CURTAIN AIRBAG	
FRONT SEAT BELT BUCKLE		DESCRIPTION	35
REMOVAL	23	OPERATION	36
INSTALLATION	23	REMOVAL	36
		INSTALLATION	38
		SIDE IMPACT SENSOR	
		DESCRIPTION	39
		OPERATION	39
		REMOVAL	40
		INSTALLATION	40

RESTRAINTS

DESCRIPTION



8131043

Fig. 1 Supplemental Restraint System

- 1 - PASSENGER AIRBAG (OPTIONAL)
- 2 - SIDE IMPACT SENSOR (2 - WITH OPTIONAL SIDE CURTAIN AIRBAGS ONLY)
- 3 - DRIVER AIRBAG
- 4 - AIRBAG CONTROL MODULE
- 5 - SEAT BELT TENSIONER (DRIVER SIDE - STANDARD, PASSENGER SIDE - OPTIONAL WITH PASSENGER AIRBAG ONLY)
- 6 - SIDE CURTAIN AIRBAG (2 - OPTIONAL)

An occupant restraint system is standard factory-installed safety equipment on this model. Available occupant restraints for this model include both active and passive types. Active restraints are those which require the vehicle occupants to take some action to employ, such as fastening a seat belt; while passive restraints require no action by the vehicle occupants to be employed (Fig. 1).

ACTIVE RESTRAINTS

The active restraints for this model include:

- **Front Seat Belts** - Both outboard front seating positions are equipped with three-point seat belt systems employing a lower B-pillar mounted inertia latch-type retractors, height-adjustable upper B-pillar mounted turning loops, travelling lower seat belt anchors secured to the outboard seat tracks, and

travelling end-release seat belt buckles secured to the inboard seat track. The driver side front seat belt buckle of all models includes an integral seat belt switch that detects whether its seat belt has been fastened.

- **Rear Seat Belts** - All rear seating positions are equipped with three-point seat belt systems. Each rear seating position belt employs an integral seat cushion frame mounted inertia latch-type retractor, a fixed position upper seat back frame mounted turning loop, and a fixed lower seat belt anchor secured to the seat cushion frame. All rear seat belts have fixed end-release seat belt buckles that are also secured to the seat cushion frame.

PASSIVE RESTRAINTS

A Next Generation driver airbag is standard factory-installed safety equipment on this model, while a passenger side front airbag and side curtain airbags are optional. This airbag system is a passive, inflatable, Supplemental Restraint System (SRS) and vehicles with this equipment can be readily identified by the "SRS - AIRBAG" logo molded into the driver airbag trim cover in the center of the steering wheel and, if the vehicle is so equipped, also into the passenger airbag door on the instrument panel above the glove box (Fig. 2). Vehicles with the airbag system can also be identified by the airbag indicator, which will illuminate in the instrument cluster for about six seconds as a bulb test each time the ignition switch is turned to the On position. A pyrotechnic-type seat belt tensioner is integral to the front seat belt retractor mounted on the lower B-pillar on the driver side, and to the passenger side retractor of vehicles equipped with the optional passenger side airbag.



8098029e

Fig. 2 SRS Logo

The supplemental restraint system includes the following major components, which are described in further detail elsewhere in this service information:

- **Airbag Control Module** - The Airbag Control Module (ACM) is located on a mount on the floor panel within the driver side seat riser, beneath the driver seat in the passenger compartment.
- **Airbag (SRS) Indicator** - The airbag indicator is integral to the ElectroMechanical Instrument Cluster (EMIC), which is located on the instrument panel in front of the driver.
- **Clockspring** - The clockspring is located near the top of the steering column, directly beneath the steering wheel.
- **Driver Airbag** - The driver airbag is located in the center of the steering wheel, beneath the driver airbag trim cover.
- **Driver Knee Blocker** - The structure of the lower instrument panel serves as a knee blocker for the driver.
- **Passenger Airbag** - The optional passenger airbag is located within the instrument panel, behind the passenger airbag door on the instrument panel above the glove box on the passenger side of the vehicle.
- **Passenger Knee Blocker** - The structure of the glove box door and the lower instrument panel serve as a knee blocker for the front seat passenger.
- **Seat Belt Tensioner** - A seat belt tensioner is integral to the driver side front seat belt retractor unit, and to the passenger side front seat belt retractor unit on vehicles equipped with an optional passenger airbag.
- **Side Curtain Airbags** - Optional side curtain airbags are available for this model when it is also equipped with dual front airbags. In vehicles equipped with this option, a side curtain airbag is located on the inside of the roof side rail within a garnish molding that extends from the A-pillar to the B-pillar above each front door opening within the passenger compartment of the vehicle.

- **Side Impact Sensor** - Two side impact sensors are used on vehicles equipped with the optional side curtain airbags, one on each side of the vehicle. One sensor is located near the front of each front door step well, concealed behind the step well trim.

The ACM contains a central processing unit and programming that allows it to communicate on a serial data bus diagnostic circuit connected to the 16-way Data Link Connector (DLC) located below the left end of the instrument panel. This method of communication is used for initialization of the ACM and for diagnosis of the SRS circuits and components using a diagnostic scan tool.

Hard wired circuitry connects the supplemental restraint system components to each other through the electrical system of the vehicle. These hard wired circuits are integral to several wire harnesses, which are routed throughout the vehicle and retained by many different methods. These circuits may be connected to each other, to the vehicle electrical system,

and to the supplemental restraint system components through the use of a combination of soldered splices, splice block connectors, and many different types of wire harness terminal connectors and insulators. Refer to the appropriate wiring information. The wiring information includes wiring diagrams, proper wire and connector repair procedures, further details on wire harness routing and retention, as well as pin-out and location views for the various wire harness connectors, splices and grounds.

OPERATION

ACTIVE RESTRAINTS

The primary passenger restraints in this or any other vehicle are the standard equipment factory-installed seat belts. Seat belts are referred to as an active restraint because the vehicle occupants are required to physically fasten and properly adjust these restraints in order to benefit from them. See the owner's manual in the vehicle glove box for more information on the features, use and operation of all of the factory-installed active restraints.

PASSIVE RESTRAINTS

The passive restraints are referred to as a supplemental restraint system because they were designed and are intended to enhance the protection for the occupants of the vehicle **only** when used in conjunction with the seat belts. They are referred to as passive restraints because the vehicle occupants are not required to do anything to make them operate; however, the vehicle occupants must be wearing their seat belts in order to obtain the maximum safety benefit from the factory-installed supplemental restraint system.

The supplemental restraint system electrical circuits are continuously monitored and controlled by a microprocessor and software contained within the Airbag Control Module (ACM). An airbag indicator in the ElectroMechanical Instrument Cluster (EMIC) illuminates for about four seconds as a bulb test each time the ignition switch is turned to the On or Start positions. Following the bulb test, the airbag indicator is turned on or off by the ACM to indicate the status of the supplemental restraint system. If the airbag indicator comes on either solid or flashing at any time other than during the bulb test, it indicates that there is a problem in the supplemental restraint system electrical circuits. Such a problem may cause airbags not to deploy when required, or to deploy when not required.

Deployment of the supplemental restraints depends upon the angle and severity of an impact. Deployment is not based upon vehicle speed; rather, deployment is based upon the rate of deceleration as measured by the forces of gravity (G force) upon the impact sensor(s). When an impact is severe enough,

the microprocessor in the ACM signals the inflator of the appropriate airbag units to deploy their airbag cushions. The front seat belt tensioners are provided with a deployment signal by the ACM in conjunction with the driver and passenger airbags.

During a frontal vehicle impact, the knee blockers work in concert with properly fastened and adjusted seat belts to restrain both the driver and the front seat passenger in the proper position for an airbag deployment. The knee blockers also absorb and distribute the crash energy from the driver and the front seat passenger to the structure of the instrument panel. The seat belt tensioners remove the slack from the front seat belts to provide further assurance that the driver and front seat passenger are properly positioned and restrained for an airbag deployment.

Typically, the vehicle occupants recall more about the events preceding and following a collision than they do of an airbag deployment itself. This is because the airbag deployment and deflation occur so rapidly. In a typical 48 kilometer-per-hour (30 mile-per-hour) barrier impact, from the moment of impact until the airbags are fully inflated takes only a few milliseconds. Within one to two seconds from the moment of impact, the airbags are almost entirely deflated. The times cited for these events are approximations, which apply only to a barrier impact at the given speed. Actual times will vary somewhat, depending upon the vehicle speed, impact angle, severity of the impact, and the type of collision.

When the ACM monitors a problem in any of the airbag system circuits or components, including the seat belt tensioners, it stores a fault code or Diagnostic Trouble Code (DTC) in its memory circuit and sends a hard wired output to the EMIC to turn on the airbag indicator. If the EMIC detects a problem in the airbag indicator or airbag indicator circuit, the cluster will flash the seatbelt indicator on and off. Proper testing of the supplemental restraint system components as well as the retrieval or erasure of a DTC from the ACM requires the use of a diagnostic scan tool. Refer to the appropriate diagnostic information.

See the owner's manual in the vehicle glove box for more information on the features, use and operation of all of the factory-installed passive restraints.

WARNINGS - RESTRAINT SYSTEM

WARNING: To avoid personal injury or death, during and following any seat belt service, carefully inspect all seat belts, buckles, mounting hardware, retractors, tether straps, and anchors for proper installation, operation, or damage. Replace any belt that is cut, frayed, or torn. Straighten any belt that is twisted. Tighten any loose fasteners. Replace any belt that has a damaged or inoperative buckle or retractor. Replace any belt that has a bent or damaged latch plate or anchor plate. Never attempt to repair a seat belt component. Always replace damaged or faulty seat belt components with the correct, new and unused replacement parts listed in the DaimlerChrysler Mopar Parts Catalog.

WARNING: To avoid personal injury or death, on vehicles equipped with airbags, disable the supplemental restraint system before attempting any steering wheel, steering column, airbag, seat belt tensioner, impact sensor, or instrument panel component diagnosis or service. Disconnect and isolate the battery negative (ground) cable, then wait two minutes for the system capacitor to discharge before performing further diagnosis or service. This is the only sure way to disable the supplemental restraint system. Failure to take the proper precautions could result in accidental airbag deployment.

WARNING: To avoid personal injury or death on vehicles equipped with airbags, before performing any welding operations disconnect and isolate the battery negative (ground) cable and disconnect all wire harness connectors from the Airbag Control Module (ACM). Failure to take the proper precautions could result in accidental airbag deployment and other possible damage to the supplemental restraint system circuits and components.

WARNING: To avoid personal injury or death, do not attempt to dismantle an airbag unit or tamper with its inflator. Do not puncture, incinerate, or bring into contact with electricity. Do not store at temperatures exceeding 93° C (200° F). An airbag inflator unit may contain sodium azide and potassium nitrate. These materials are poisonous and extremely flammable. Contact with acid, water, or heavy metals may produce harmful and irritating gases (sodium hydroxide is formed in the presence of moisture) or combustible compounds. An airbag inflator unit may also contain a gas canister pressurized to over 2500 psi.

WARNING: To avoid personal injury or death, when handling a seat belt tensioner retractor, proper care should be exercised to keep fingers out from under the retractor cover and away from the seat belt webbing where it exits from the retractor cover.

WARNING: To avoid personal injury or death, replace all restraint system components only with parts specified in the DaimlerChrysler Mopar Parts Catalog. Substitute parts may appear interchangeable, but internal differences may result in inferior occupant protection.

WARNING: To avoid personal injury or death, the fasteners, screws, and bolts originally used for the restraint system components must never be replaced with any substitutes. These fasteners have special coatings and are specifically designed for the restraint system. Any time a new fastener is needed, replace it with the correct fasteners provided in the service package or specified in the DaimlerChrysler Mopar Parts Catalog.

WARNING: To avoid personal injury or death, when a steering column has an airbag unit attached, never place the column on the floor or any other surface with the steering wheel or airbag unit face down.

DIAGNOSIS AND TESTING - SUPPLEMENTAL RESTRAINT SYSTEM

Proper diagnosis and testing of the supplemental restraint system components or the Airbag Control Module (ACM), initialization of the ACM, as well as the retrieval or erasure of a Diagnostic Trouble Code (DTC) from the ACM requires the use of a DRBIII® scan tool. Refer to the appropriate diagnostic information.

WARNING: To avoid personal injury or death, on vehicles equipped with airbags, disable the supplemental restraint system before attempting any steering wheel, steering column, airbag, seat belt tensioner, impact sensor, or instrument panel component diagnosis or service. Disconnect and isolate the battery negative (ground) cable, then wait two minutes for the system capacitor to discharge before performing further diagnosis or service. This is the only sure way to disable the supplemental restraint system. Failure to take the proper precautions could result in accidental airbag deployment.

STANDARD PROCEDURE

STANDARD PROCEDURE - HANDLING NON - DEPLOYED SUPPLEMENTAL RESTRAINTS

At no time should any source of electricity be permitted near the inflator on the back of a non-deployed airbag or seat belt tensioner. When carrying a non-deployed airbag, the trim cover or airbag cushion side of the unit should be pointed away from the body to minimize injury in the event of an accidental deployment. If the airbag unit is placed on a bench or any other surface, the trim cover or airbag cushion side of the unit should be face up to minimize movement in the event of an accidental deployment. When handling a non-deployed seat belt tensioner, take proper care to keep fingers out from under the retractor cover and away from the seat belt webbing where it exits from the retractor cover. In addition, the supplemental restraint system should be disarmed whenever any steering wheel, steering column, seat belt tensioner, airbag, impact sensor, or instrument panel components require diagnosis or service. Failure to observe this warning could result in accidental deployment and possible personal injury.

All damaged, faulty or non-deployed airbags and seat belt tensioners which are replaced on vehicles are to be handled and disposed of properly. If an airbag or seat belt tensioner unit is faulty or damaged and non-deployed, refer to the Hazardous Substance Control System for proper disposal. Dispose of all non-deployed and deployed airbags and seat belt tensioners in a manner consistent with state, provincial, local and federal regulations.

SUPPLEMENTAL RESTRAINT STORAGE

Airbags and seat belt tensioners must be stored in their original, special container until they are used for service. Also, they must be stored in a clean, dry environment; away from sources of extreme heat, sparks, and high electrical energy. Always place or store any airbag on a surface with its trim cover or airbag cushion side facing up, to minimize movement in case of an accidental deployment.

STANDARD PROCEDURE - SERVICE AFTER A SUPPLEMENTAL RESTRAINT DEPLOYMENT

Any vehicle which is to be returned to use following a supplemental restraint deployment, must have the deployed restraints replaced. In addition, if the driver airbag has been deployed, the clockspring and the steering wheel must be replaced. If the passenger airbag has been deployed, the instrument panel must be replaced. The seat belt tensioners are deployed by the same signal that deploys the driver and passenger airbags and must also be replaced if either front airbag has been deployed. These components are not

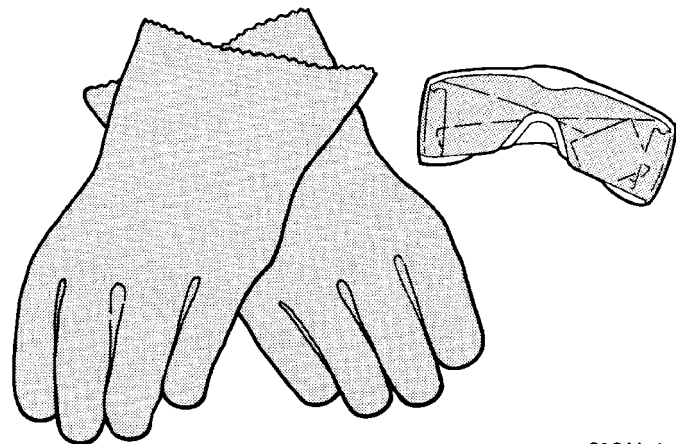
intended for reuse and will be damaged or weakened as a result of a supplemental restraint deployment, which may or may not be obvious during a visual inspection.

It is also critical that the mounting surfaces and/or mounting brackets for the Airbag Control Module (ACM) and the side impact sensors be closely inspected and restored to their original conditions following any vehicle impact damage. Because the ACM and each impact sensor are used by the supplemental restraint system to monitor or confirm the direction and severity of a vehicle impact, improper orientation or insecure fastening of these components may cause airbags not to deploy when required, or to deploy when not required.

All other vehicle components should be closely inspected following any supplemental restraint deployment, but are to be replaced only as required by the extent of the visible damage incurred.

CLEANUP PROCEDURE

Following a supplemental restraint deployment, the vehicle interior will contain a powdery residue. This residue consists primarily of harmless particulate by-products of the small pyrotechnic charge that initiates the propellant used to deploy a supplemental restraint. However, this residue may also contain traces of sodium hydroxide powder, a chemical by-product of the propellant material that is used to generate the inert gas that inflates the airbag. Since sodium hydroxide powder can irritate the skin, eyes, nose, or throat, be certain to wear safety glasses, rubber gloves, and a long-sleeved shirt during cleanup (Fig. 3).



918M-4

Fig. 3 Wear Safety Glasses and Rubber Gloves - Typical

WARNING: To avoid personal injury or death, if you experience skin irritation during cleanup, run cool water over the affected area. Also, if you experience irritation of the nose or throat, exit the vehicle for fresh air until the irritation ceases. If irritation continues, see a physician.

(1) Begin the cleanup by using a vacuum cleaner to remove any residual powder from the vehicle interior. Clean from outside the vehicle and work your way inside, so that you avoid kneeling or sitting on a non-cleaned area.

(2) Be certain to vacuum the heater and air conditioning outlets as well (Fig. 4). Run the heater and air conditioner blower on the lowest speed setting and vacuum any powder expelled from the outlets.

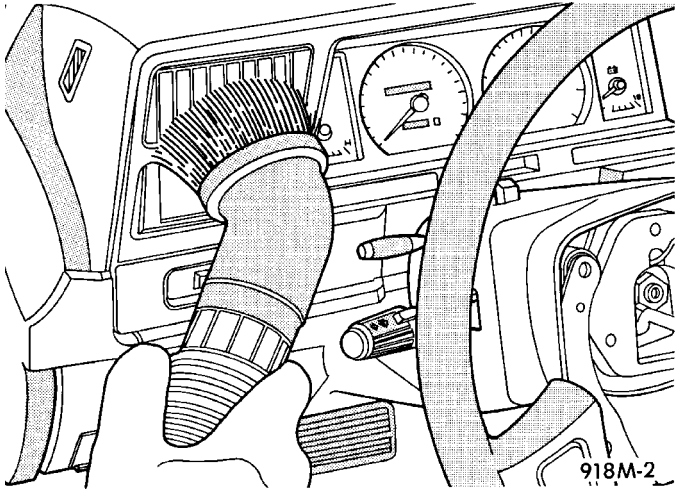


Fig. 4 Vacuum Heater and A/C Outlets - Typical

CAUTION: All damaged, faulty, or non-deployed supplemental restraints which are replaced on vehicles are to be handled and disposed of properly. If an airbag unit or seat belt tensioner unit is faulty or damaged and non-deployed, refer to the Hazardous Substance Control System for proper disposal. Be certain to dispose of all non-deployed and deployed supplemental restraints in a manner consistent with state, provincial, local and federal regulations.

(3) Next, remove the deployed supplemental restraints from the vehicle. Refer to the appropriate service removal procedures.

(4) You may need to vacuum the interior of the vehicle a second time to recover all of the powder.

STANDARD PROCEDURE - VERIFICATION TEST

The following procedure should be performed using a diagnostic scan tool to verify proper supplemental restraint system operation following the service or replacement of any supplemental restraint system component.

WARNING: To avoid personal injury or death, on vehicles equipped with airbags, disable the supplemental restraint system before attempting any steering wheel, steering column, airbag, seat belt tensioner, impact sensor, or instrument panel component diagnosis or service. Disconnect and isolate the battery negative (ground) cable, then wait two minutes for the system capacitor to discharge

before performing further diagnosis or service. This is the only sure way to disable the supplemental restraint system. Failure to take the proper precautions could result in accidental airbag deployment.

(1) During the following test, the battery negative cable remains disconnected and isolated, as it was during the supplemental restraint system component removal and installation procedures.

(2) Be certain that the diagnostic scan tool contains the latest version of the proper diagnostic software. Connect the diagnostic to the 16-way Data Link Connector (DLC). The DLC is located on the dash panel beneath the driver side lower edge of the instrument panel, outboard of the steering column (Fig. 5).

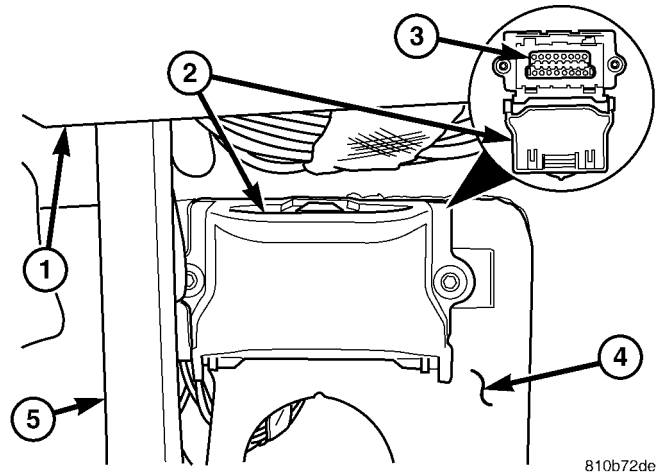


Fig. 5 16-Way Data Link Connector

- 1 - BOTTOM OF INSTRUMENT PANEL
- 2 - CONNECTOR COVER
- 3 - 16-WAY DATA LINK CONNECTOR
- 4 - DASH PANEL
- 5 - INSIDE HOOD RELEASE LEVER

(3) Turn the ignition switch to the On position and exit the vehicle with the diagnostic scan tool.

(4) Check to be certain that nobody is in the vehicle, then reconnect the battery negative cable.

(5) Using the diagnostic, read and record the active (current) Diagnostic Trouble Code (DTC) data.

(6) Next, use the diagnostic to read and record any stored (historical) DTC data.

(7) If any DTC is found in Step 5 or Step 6, refer to the appropriate diagnostic information.

(8) Use the diagnostic to erase the stored DTC data. If any problems remain, the stored DTC data will not erase. Refer to the appropriate diagnostic information to diagnose any stored DTC that will not erase. If the stored DTC information is successfully erased, go to Step 9.

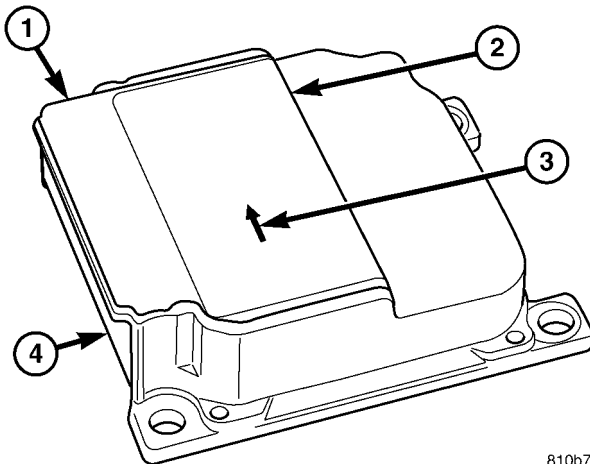
(9) Turn the ignition switch to the Off position for about fifteen seconds, and then back to the On position. Observe the airbag indicator in the instrument cluster. It should illuminate for four seconds, and then go out. This indicates that the supplemental

restraint system is functioning normally and that the repairs are complete. If the airbag indicator fails to light, or lights and stays on, there is still an active supplemental restraint system fault or malfunction. Refer to the appropriate diagnostic information to diagnose the problem.

NOTE: If the Airbag Control Module (ACM) has been replaced with a new unit, it will be necessary to initialize the new ACM. In order to function properly, the ACM must be programmed for the correct standard and optional supplemental restraint system components installed in the vehicle. To initialize the ACM, a diagnostic scan tool is required. Refer to the appropriate diagnostic information.

AIRBAG CONTROL MODULE

DESCRIPTION

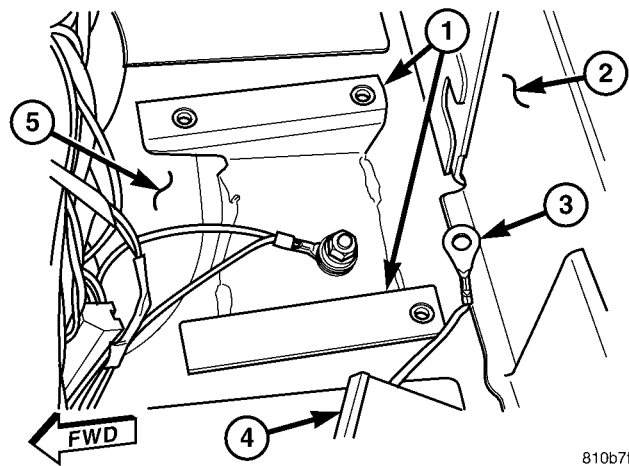


810b7517

Fig. 6 Airbag Control Module

- 1 - AIRBAG CONTROL MODULE
- 2 - LABEL
- 3 - ORIENTATION ARROW
- 4 - CONNECTOR RECEPTACLE

The Airbag Control Module (ACM) is secured with three screws to the top mounting surface of a stamped steel bracket that is welded onto the floor panel within the seat riser underneath the driver side front seat in the passenger compartment of the vehicle (Fig. 6). A molded plastic protective cover is installed over the ACM and secured with integral snap features to a flat metal base plate sandwiched between the bottom of the ACM and the mounting bracket on the floor panel (Fig. 7). This cover is designed to shield the ACM and its wire harness connection from other electrical components and wiring located within the seat riser area beneath the driver seat, and must always be reinstalled following service removal.



810b7f18

Fig. 7 ACM Bracket

- 1 - ACM BRACKET
- 2 - SEAT RISER
- 3 - EYELET TERMINAL
- 4 - ACM CONNECTOR
- 5 - FLOOR PANEL

Concealed within a hollow in the center of the die cast aluminum ACM housing is the electronic circuitry of the ACM which includes a microprocessor, an electronic impact sensor, an electronic safing sensor, and an energy storage capacitor. A stamped metal cover plate is permanently secured to the bottom of the ACM housing to enclose and protect the internal electronic circuitry and components.

An arrow printed on a label on the top of the ACM housing near the rear provides a visual verification of the proper orientation of the unit, and should always be pointed toward the front of the vehicle. The ACM housing has integral mounting flanges on three corners. A molded plastic electrical connector receptacle containing numerous terminal pins is integral to the left facing side of the ACM housing. These terminal pins connect the ACM to the vehicle electrical system through a dedicated take out and connector of the vehicle wire harness.

The impact sensor internal to the ACM are calibrated for the specific vehicle, and are only serviced as a unit with the ACM. In addition, the ACM must be electronically programmed for the correct standard and optional supplemental restraint system components installed in the vehicle. The ACM cannot be repaired or adjusted and, if damaged or faulty, it must be replaced.

OPERATION

The microprocessor in the Airbag Control Module (ACM) contains the supplemental restraint system logic circuits and controls all of the supplemental restraint system components. The ACM uses On-Board Diagnostics (OBD) and can communicate with a diagnostic scan tool using a diagnostic Serial

Communication Interface (SCI) data bus line for supplemental restraint system programming or diagnosis and testing through the 16-way Data Link Connector (DLC) located on the dash panel below the driver side end of the instrument panel. A hard wired output from the ACM is used for control of the airbag indicator in the ElectroMechanical Instrument Cluster (EMIC). (Refer to 8 - ELECTRICAL/INSTRUMENT CLUSTER/AIRBAG INDICATOR - OPERATION).

The ACM microprocessor continuously monitors all of the supplemental restraint system electrical circuits to determine the system readiness. If the ACM detects a monitored system fault, it sets an appropriate Diagnostic Trouble Code (DTC) and sends an output to the EMIC to turn on the airbag indicator. The ACM illuminates the indicator for about four seconds each time the ignition switch is turned to the On position as a bulb test. If the indicator remains illuminated for about ten seconds after the ignition switch is turned to the On position, the ACM has detected a non-critical fault that poses no danger to the vehicle occupants. If the airbag indicator illuminates solid (not flashing) while driving or stays on longer than ten seconds following the bulb test, the ACM has detected a critical fault that may cause the airbags not to deploy when required or to deploy when not required. An active fault only remains for the duration of the fault, or in some cases, for the duration of the current ignition switch cycle, while a stored fault causes a DTC to be stored in memory by the ACM.

The ACM receives battery current through a fused ignition switch output circuit. The ACM receives ground through a ground circuit and take out of the vehicle wire harness. This take out has an eyelet terminal connector secured by a nut to a ground stud on the floor panel directly below the ACM within the driver side seat riser. A case ground is also provided for the ACM through a ground circuit and eyelet terminal connector secured under the left rear ACM mounting screw. These connections allow the ACM to be operational whenever the ignition switch is in the On position.

The ACM also contains an energy-storage capacitor. When the ignition switch is in the On position, this capacitor is continually being charged with enough electrical energy to deploy the supplemental restraint components for up to one second following a battery disconnect or failure. The purpose of the capacitor is to provide backup supplemental restraint system protection in case there is a loss of battery current supply to the ACM during an impact.

Two sensors are contained within the ACM, an electronic impact sensor and a safing sensor. These electronic sensors are accelerometers that sense the rate of vehicle deceleration, which provide verification of the direction and severity of an impact. On

models equipped with optional side curtain airbags, the ACM also monitors inputs from two remote side impact sensors located within the left and right front door step wells to control deployment of the side curtain airbag units.

The safing sensor is an electronic accelerometer sensor within the ACM that provides an additional logic input to the ACM microprocessor. The safing sensor is used to verify the need for a supplemental restraint deployment by detecting impact energy of a lesser magnitude than that of the primary electronic impact sensors, and must exceed a safing threshold in order for the airbags to deploy. Vehicles equipped with optional side curtain airbags feature a second safing sensor within the ACM to provide confirmation to the ACM microprocessor of side impact forces. This second safing sensor is a bi-directional unit that detects impact forces from either side of the vehicle.

Pre-programmed decision algorithms in the ACM microprocessor determine when the deceleration rate as signaled by the impact sensors and the safing sensors indicate an impact that is severe enough to require supplemental restraint system protection. When the programmed conditions are met, the ACM sends the proper electrical signals to deploy the front airbags and seat belt tensioners and, if the vehicle is so equipped, either side curtain airbag unit.

The ACM also provides a hard wired electrical crash signal output following a supplemental restraint deployment event. This output is used to signal other electronic modules in the vehicle to provide their enhanced accident response features, which include automatically disabling the engine from running and unlocking all of the doors. However, these responses are each dependent upon the circuits, components, and modules controlling these features remaining intact from collateral damage incurred during the vehicle impact.

A single ACM is used for all variations of the supplemental restraint system available in this vehicle. This ACM is programmable and in order to function properly it must be programmed for the correct vehicle supplemental restraint system equipment using an initialization procedure. The initialization procedure requires the use of a diagnostic scan tool. Refer to the appropriate diagnostic information. The hard wired inputs and outputs for the ACM may be diagnosed and tested using conventional diagnostic tools and procedures. However, conventional diagnostic methods will not prove conclusive in the diagnosis of the ACM or the supplemental restraint system. The most reliable, efficient, and accurate means to diagnose the ACM or the supplemental restraint system requires the use of a diagnostic scan tool. Refer to the appropriate diagnostic information.

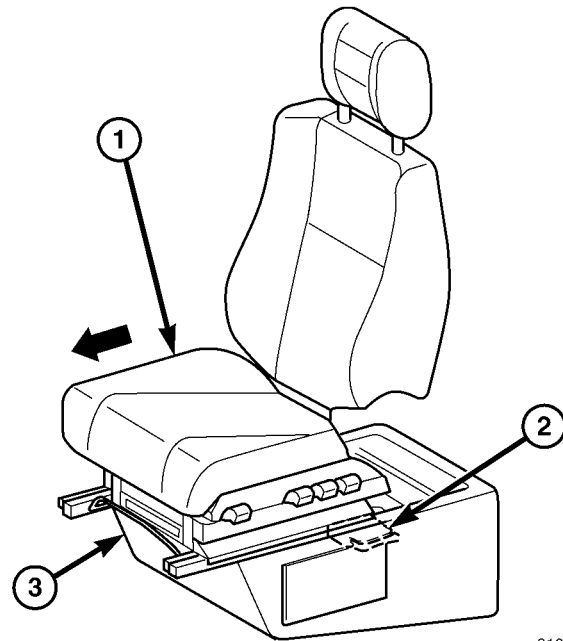
REMOVAL

WARNING: To avoid personal injury or death, on vehicles equipped with airbags, disable the supplemental restraint system before attempting any steering wheel, steering column, airbag, seat belt tensioner, impact sensor, or instrument panel component diagnosis or service. Disconnect and isolate the battery negative (ground) cable, then wait two minutes for the system capacitor to discharge before performing further diagnosis or service. This is the only sure way to disable the supplemental restraint system. Failure to take the proper precautions could result in accidental airbag deployment.

WARNING: To avoid personal injury or death, never strike or drop the airbag control module as it can damage the impact sensor or affect its calibration. The airbag control module contains the impact sensor, which enables the system to deploy the supplemental restraints. If an airbag control module is accidentally dropped during service, the module must be scrapped and replaced with a new unit. Failure to observe this warning could result in accidental, incomplete, or improper supplemental restraint deployment.

(1) Disconnect and isolate the battery negative cable. Wait two minutes for the system capacitor to discharge before further service.

(2) Move the driver side front seat to its most forward position for easiest access to the seat riser cover panel (Fig. 8).

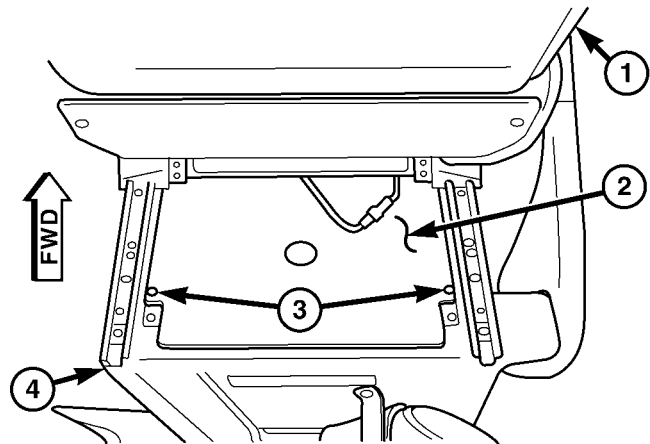


810b7714

Fig. 8 Airbag Control Module Location

- 1 - DRIVER SEAT
- 2 - AIRBAG CONTROL MODULE
- 3 - SEAT RISER

(3) Remove the two screws that secure the cover panel to the top of the seat riser under the driver side front seat (Fig. 9).



810b7930

Fig. 9 Seat Riser Cover

- 1 - DRIVER SEAT BACK
- 2 - COVER PANEL
- 3 - SCREW (2)
- 4 - SEAT RISER

(4) Remove the cover panel from the top of the driver side seat riser.

(5) Remove the two screws that secure the control module bracket to the top of the seat riser under the driver side front seat (Fig. 10).

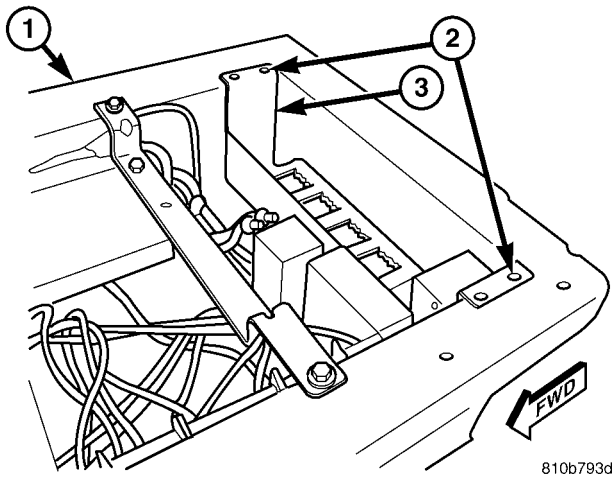


Fig. 10 Control Module Bracket

- 1 - SEAT RISER
- 2 - SCREW (2)
- 3 - CONTROL MODULE BRACKET

(6) Remove the control module bracket from the top of the driver side seat riser.

(7) Locate the Airbag Control Module (ACM) in the right rear corner of the area within the driver side seat riser. Firmly grasp and pull upward on the molded plastic cover to unsnap it from over the ACM (Fig. 11).

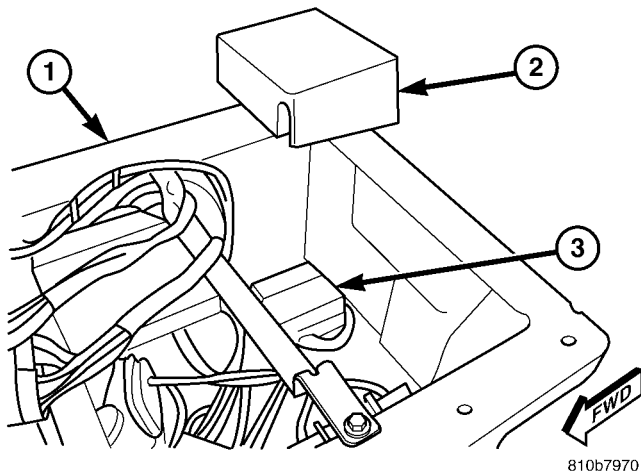


Fig. 11 ACM Cover

- 1 - SEAT RISER
- 2 - COVER
- 3 - ACM

(8) Remove the three screws that secure the ACM to the bracket that is welded onto the floor panel under the driver side front seat (Fig. 12).

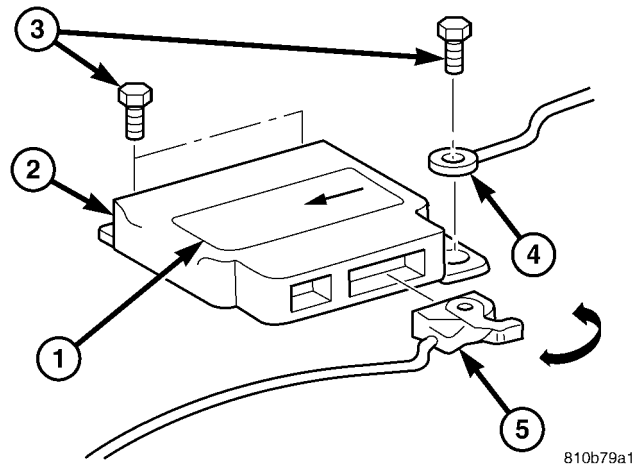


Fig. 12 Airbag Control Module Remove/Install

- 1 - ACM LABEL
- 2 - ACM
- 3 - SCREW (3)
- 4 - GROUND EYELET
- 5 - CONNECTOR

(9) Lift the ACM upward far enough to access the ACM wiring connection. Depress the release and lift the lever arm to disconnect the vehicle wire harness connector for the ACM from the ACM connector receptacle located on the left facing side of the module.

(10) Remove the ACM from within the driver side front seat riser.

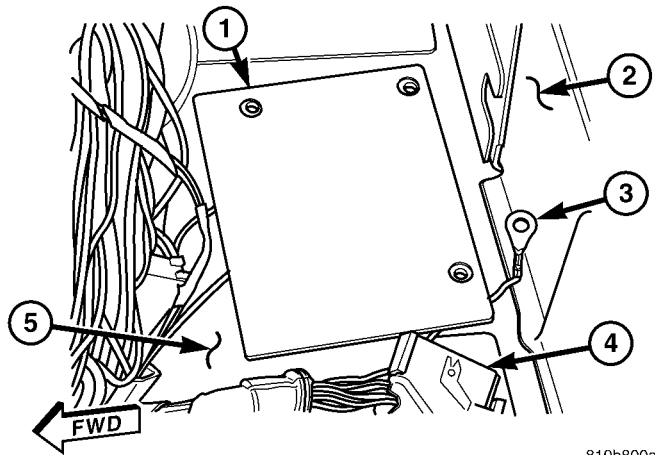
INSTALLATION

WARNING: To avoid personal injury or death, on vehicles equipped with airbags, disable the supplemental restraint system before attempting any steering wheel, steering column, airbag, seat belt tensioner, impact sensor, or instrument panel component diagnosis or service. Disconnect and isolate the battery negative (ground) cable, then wait two minutes for the system capacitor to discharge before performing further diagnosis or service. This is the only sure way to disable the supplemental restraint system. Failure to take the proper precautions could result in accidental airbag deployment.

WARNING: To avoid personal injury or death, never strike or drop the airbag control module as it can damage the impact sensor or affect its calibration. The airbag control module contains the impact sensor, which enables the system to deploy the supplemental restraints. If an airbag control module is accidentally dropped during service, the module must be scrapped and replaced with a new unit. Failure to observe this warning could result in accidental, incomplete, or improper supplemental restraint deployment.

(1) Reconnect and latch the vehicle wire harness connector for the ACM to the ACM connector receptacle located on the left facing side of the module (Fig. 12).

(2) Carefully position the ACM cover base plate onto the mounting bracket that is welded onto the floor panel under the driver side front seat (Fig. 13).



810b800a

Fig. 13 ACM Cover Base Plate

- 1 - BASE PLATE
- 2 - SEAT RISER
- 3 - GROUND EYELET TERMINAL
- 4 - ACM CONNECTOR
- 5 - FLOOR PANEL

(3) Carefully position the ACM onto the ACM cover base plate. When the ACM is correctly positioned, the three ACM mounting tabs will be aligned with the holes in the cover base plate and the mounting bracket, and the orientation arrow on the ACM label will be pointed forward in the vehicle.

(4) Install and tighten the three screws that secure the ACM to the mounting bracket that is welded onto the floor panel within the driver side front seat riser. Be certain that the ground eyelet terminal is installed under the screw for the left rear mounting tab. Tighten the screws to 12 N·m (105 in. lbs.).

(5) Position the ACM cover over the ACM and press it down firmly and evenly until it snaps into position over the ACM cover base plate (Fig. 11).

(6) Position the control module bracket onto the top of the driver side seat riser (Fig. 10).

(7) Install and tighten the two screws that secure the control module bracket to the top of the seat riser under the driver side front seat. Tighten the screws to 2 N·m (18 in. lbs.).

(8) Position the cover panel onto the top of the driver side seat riser (Fig. 9).

(9) Install and tighten the two screws that secure the cover panel to the top of the seat riser under the driver side front seat. Tighten the screws to 2 N·m (18 in. lbs.).

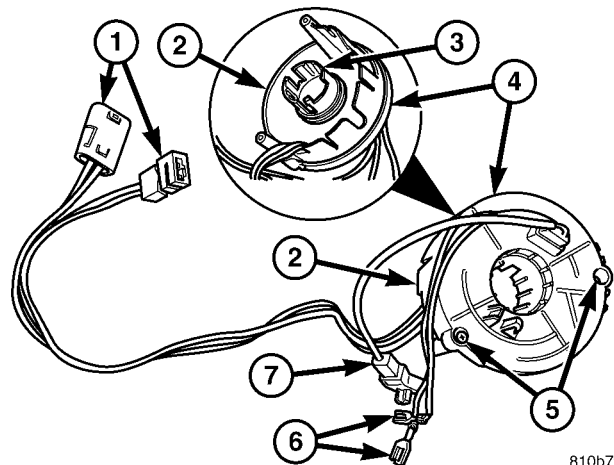
(10) Move the driver side front seat back to its driving position.

(11) Do not reconnect the battery negative cable at this time. The supplemental restraint system verification test procedure should be performed following service of any supplemental restraint system component. (Refer to 8 - ELECTRICAL/RESTRAINTS - STANDARD PROCEDURE - VERIFICATION TEST).

NOTE: If the Airbag Control Module (ACM) has been replaced with a new unit, it will be necessary to initialize the new ACM. In order to function properly, the ACM must be programmed for the correct standard and optional supplemental restraint system components installed in the vehicle. To initialize the ACM, a diagnostic scan tool is required. Refer to the appropriate diagnostic information.

CLOCKSPRING

DESCRIPTION



810b7177

Fig. 14 Clockspring

- 1 - PIGTAIL WIRE CONNECTOR (2)
- 2 - CASE
- 3 - CANCEL CAM
- 4 - ROTOR
- 5 - SCREW (2)
- 6 - HORN SWITCH CONNECTOR (2)
- 7 - AIRBAG CONNECTOR

The clockspring assembly is secured with two screws onto the multi-function switch housing near the top of the steering column directly below the steering wheel (Fig. 14). The clockspring consists of a flat, round molded plastic case that contains a spool-like molded plastic rotor with a large exposed hub covering the entire upper surface of the case. The rotor hub has a large center hole that is internally ribbed to engage splines on the upper steering column shaft, and two small clearance holes that provide access to the case mounting screws. The lower

side of the rotor hub also serves as an integral molded plastic turn signal cancel cam.

A single connector receptacle on the upper surface of the rotor has pigtail wires that connect to the horn switch and the driver airbag on the steering wheel, while a single connector receptacle on the lower surface of the case has pigtail wires that connect the clockspring to the vehicle wire harness on the steering column. Within the plastic case and wound around the rotor spool is a long ribbon-like tape that consists of several thin copper wire leads sandwiched between two thin plastic membranes. The outer end of the tape terminates at the connector receptacle that faces the steering column, while the inner end of the tape terminates at the connector receptacle on the hub of the clockspring rotor that faces the steering wheel.

Service replacement clocksprings are shipped pre-centered and with the mounting screws backed out from the case far enough to engage the access holes in the upper surface of the rotor. The mounting screws secure the centered clockspring rotor to the clockspring case during shipment, but allow free rotation of the rotor once the clockspring is properly installed on the steering column. (Refer to 8 - ELECTRICAL/RESTRAINTS/CLOCKSPRING - STANDARD PROCEDURE - CLOCKSPRING CENTERING).

The clockspring cannot be repaired. If the clockspring is faulty, damaged, or if the driver airbag has been deployed, the clockspring must be replaced.

OPERATION

The clockspring is a mechanical electrical circuit component that is used to provide continuous electrical continuity between the fixed vehicle wire harness and the electrical components mounted on or in the rotating steering wheel. On this model the rotating electrical components include the driver airbag and the horn switch. The clockspring case is positioned and secured to the multi-function switch housing near the top of the steering column. The connector receptacle on the underside of the fixed clockspring case connects the clockspring to the vehicle electrical system through two take outs with connectors from the vehicle wire harness.

The clockspring rotor is movable and is keyed by integral molded ribs on the inner circumference of the rotor hub to the splines on the external circumference of the upper steering column shaft. The two integral lobes of the turn signal cancel cam formation on the lower surface of the clockspring rotor hub contact the turn signal cancel actuator of the multi-function switch to provide automatic turn signal cancellation. The yellow sleeved pigtail wire on the upper surface of the clockspring rotor connects the clockspring to the driver airbag, while two single pigtail wires connect to the feed and ground terminals of

the horn switch located within the hub cavity of the steering wheel.

Like the clockspring in a timepiece, the clockspring tape has travel limits and can be damaged by being wound too tightly during full stop-to-stop steering wheel rotation. To prevent this from occurring, the clockspring is centered when it is installed on the steering column. Centering the clockspring indexes the clockspring tape to the movable steering components so that the tape can operate within its designed travel limits. However, if the clockspring is removed from the steering column or if the steering shaft is disconnected from the steering gear, the clockspring spool can change position relative to the movable steering components. The clockspring must be re-centered following completion of this service or the tape may be damaged.

Service replacement clocksprings are shipped pre-centered and with the mounting screws backed out from the case far enough to engage the access holes in the upper surface of the rotor. The mounting screws secure the centered clockspring rotor to the clockspring case during shipment, but allow free rotation of the rotor once the clockspring is properly installed on the steering column. The clockspring mounting screws should not be tightened into the clockspring case until the clockspring has been installed on the steering column. If the screws are tightened into or removed from the case before the clockspring is installed on a steering column, the clockspring centering procedure must be performed. (Refer to 8 - ELECTRICAL/RESTRAINTS/CLOCKSPRING - STANDARD PROCEDURE - CLOCKSPRING CENTERING).

STANDARD PROCEDURE - CLOCKSPRING CENTERING

The clockspring is designed to wind and unwind when the steering wheel is rotated, but is only designed to rotate the same number of turns (about six to seven complete rotations) as the steering wheel can be turned from stop to stop. Centering the clockspring indexes the clockspring tape to other steering components so that it can operate within its designed travel limits. The rotor of a centered clockspring can be rotated three to three and one-half turns in either direction from the centered position, without damaging the clockspring tape.

However, if the clockspring is removed for service or if the steering column is disconnected from the steering gear, the clockspring tape can change position relative to the other steering components. The clockspring must then be re-centered following completion of such service or the clockspring tape may be damaged. Service replacement clocksprings are shipped pre-centered and with the mounting screws backed out from the case far enough to engage the

access holes in the upper surface of the rotor (Fig. 15). The clockspring mounting screws should not be tightened into the clockspring case until the clockspring has been installed on the steering column. If the screws are tightened into or removed from the case before the clockspring is installed on a steering column, the clockspring centering procedure must be performed.

WARNING: To avoid personal injury or death, on vehicles equipped with airbags, disable the supplemental restraint system before attempting any steering wheel, steering column, airbag, seat belt tensioner, impact sensor, or instrument panel component diagnosis or service. Disconnect and isolate the battery negative (ground) cable, then wait two minutes for the system capacitor to discharge before performing further diagnosis or service. This is the only sure way to disable the supplemental restraint system. Failure to take the proper precautions could result in accidental airbag deployment.

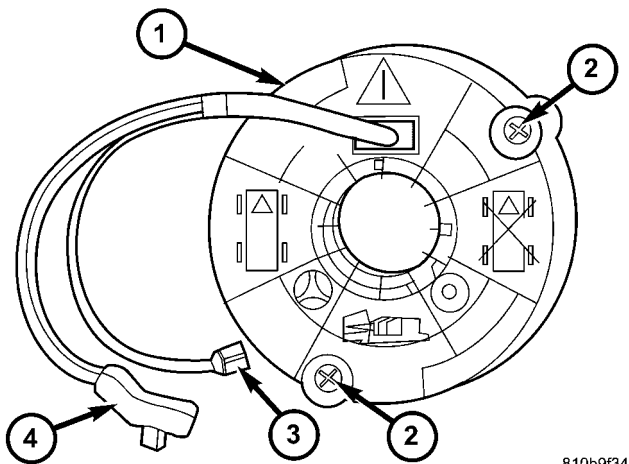


Fig. 15 Clockspring Centering

- 1 - CLOCKSPRING ROTOR
- 2 - SCREW (2)
- 3 - HORN SWITCH CONNECTOR (2)
- 4 - AIRBAG CONNECTOR

NOTE: Before starting this procedure, be certain to turn the steering wheel until the front wheels are in the straight-ahead position.

(1) Place the front wheels in the straight-ahead position.

(2) Remove the clockspring from the steering column. (Refer to 8 - ELECTRICAL/RESTRAINTS/CLOCKSPRING - REMOVAL).

(3) Tighten the two clockspring mounting screws all the way into the clockspring case.

(4) Rotate the clockspring rotor counterclockwise to the end of its travel. **Do not apply excessive torque.**

(5) From the end of the counterclockwise travel, rotate the rotor about three to three and one-half turns clockwise, until the clearance holes in the clockspring rotor are aligned with the two mounting screws in the clockspring case. The clockspring is now centered.

(6) Loosen the two clockspring mounting screws far enough so that they extend into the clearance holes in the upper surface of the clockspring rotor, preventing the rotor from changing position relative to the clockspring case.

(7) The front wheels should still be in the straight-ahead position. Reinstall the clockspring onto the steering column. (Refer to 8 - ELECTRICAL/RESTRAINTS/CLOCKSPRING - INSTALLATION).

REMOVAL

The clockspring cannot be repaired. It must be replaced if faulty or damaged, or if the driver airbag has been deployed.

WARNING: To avoid personal injury or death, on vehicles equipped with airbags, disable the supplemental restraint system before attempting any steering wheel, steering column, airbag, seat belt tensioner, impact sensor, or instrument panel component diagnosis or service. Disconnect and isolate the battery negative (ground) cable, then wait two minutes for the system capacitor to discharge before performing further diagnosis or service. This is the only sure way to disable the supplemental restraint system. Failure to take the proper precautions could result in accidental airbag deployment.

NOTE: Before starting this procedure, be certain to turn the steering wheel until the front wheels are in the straight-ahead position.

(1) Place the front wheels in the straight ahead position.

(2) Remove the driver airbag from the steering wheel. (Refer to 8 - ELECTRICAL/RESTRAINTS/DRIVER AIRBAG - REMOVAL).

(3) Disconnect the clockspring upper pigtail wire connectors from the terminals of the horn switch located in the hub cavity of the steering wheel.

(4) Remove the steering wheel from the steering column. (Refer to 19 - STEERING/COLUMN/STEERING WHEEL - REMOVAL).

(5) Remove the steering column opening cover from the instrument panel. (Refer to 23 - BODY/INSTRUMENT PANEL/STEERING COLUMN OPENING COVER - REMOVAL).

(6) Disconnect the two clockspring lower pigtail connectors from the vehicle wire harness connectors located between the steering column and the back of the fuse block underneath the steering column (Fig. 16).

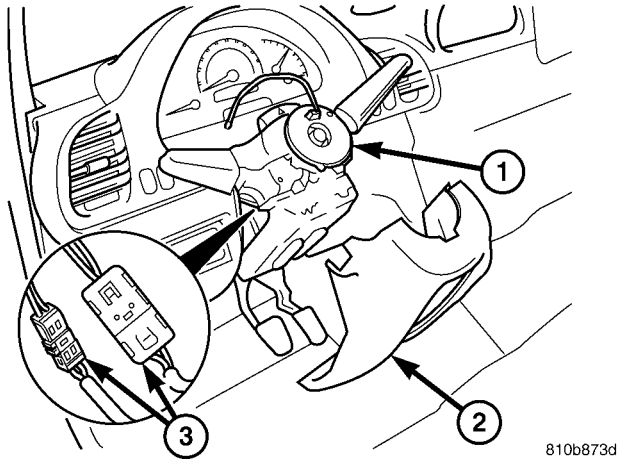


Fig. 16 Clockspring Remove/Install

- 1 - CLOCKSPRING
- 2 - SHROUD
- 3 - LOWER PIGTAIL CONNECTOR (2)

(7) Loosen the two screws that secure the clockspring to the multi-function switch housing far enough to engage the clearance holes in the clockspring rotor and to disengage the clockspring case from the switch housing.

(8) Remove the clockspring from the multi-function switch housing. The clockspring cannot be repaired. It must be replaced if faulty or damaged, or if the driver airbag has been deployed.

(9) If the removed clockspring is to be reused, be certain that the clockspring rotor is secured to the clockspring case to maintain clockspring centering until it is reinstalled on the steering column. If clockspring centering is not maintained, the clockspring must be centered again before it is reinstalled. (Refer to 8 - ELECTRICAL/RESTRAINTS/CLOCKSPRING - STANDARD PROCEDURE - CLOCKSPRING CENTERING).

INSTALLATION

The clockspring cannot be repaired. It must be replaced if faulty or damaged, or if the driver airbag has been deployed.

If the clockspring is not properly centered in relation to the steering wheel, steering shaft and steering gear, it may be damaged. (Refer to 8 - ELECTRICAL/RESTRAINTS/CLOCKSPRING - STANDARD PROCEDURE - CLOCKSPRING CENTERING). Service replacement clocksprings are shipped pre-centered and with the mounting screws backed out from the case far enough to engage the access holes in the upper surface of the rotor. The

clockspring mounting screws should not be tightened into the clockspring case until the clockspring has been installed on the steering column. If the screws are tightened into or removed from the case before the clockspring is installed on a steering column, the clockspring centering procedure must be performed.

WARNING: To avoid personal injury or death, on vehicles equipped with airbags, disable the supplemental restraint system before attempting any steering wheel, steering column, airbag, seat belt tensioner, impact sensor, or instrument panel component diagnosis or service. Disconnect and isolate the battery negative (ground) cable, then wait two minutes for the system capacitor to discharge before performing further diagnosis or service. This is the only sure way to disable the supplemental restraint system. Failure to take the proper precautions could result in accidental airbag deployment.

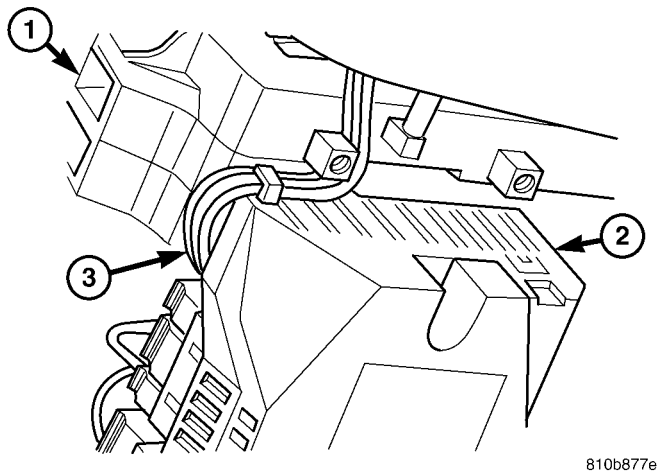
NOTE: Before starting this procedure, be certain that the front wheels are still in the straight-ahead position.

(1) Carefully slide the centered clockspring down over the steering column upper shaft until the screws in the clockspring case are aligned with the mounting holes on the multi-function switch housing.

(2) Tighten the two screws that secure the clockspring to the multi-function switch mounting housing. Tighten the screws to 2 N·m (18 in. lbs.).

(3) Reconnect the two clockspring lower pigtail connectors to the vehicle wire harness connectors located between the steering column and the back of the fuse block underneath the steering column (Fig. 16).

(4) Route the clockspring lower pigtail wires around the lug on the bottom of the multi-function switch housing and behind the fuse block underneath the steering column (Fig. 17).



810b877e

Fig. 17 Clockspring Pigtail Routing

- 1 - MULTI-FUNCTION SWITCH
- 2 - FUSE BLOCK
- 3 - CLOCKSPEED LOWER PIGTAILS (2)

(5) Reinstall the steering column opening cover onto the instrument panel. (Refer to 23 - BODY/INSTRUMENT PANEL/STEERING COLUMN OPENING COVER - INSTALLATION).

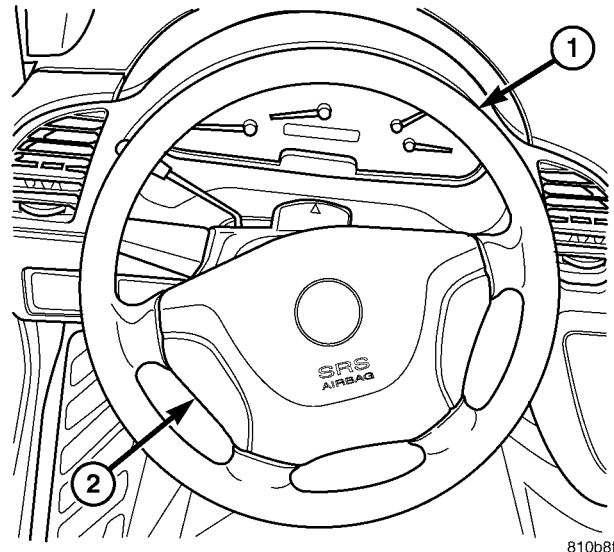
(6) Reinstall the steering wheel onto the steering column. (Refer to 19 - STEERING/COLUMN/STEERING WHEEL - INSTALLATION).

(7) Reconnect the clockspring upper pigtail wire connectors to the terminals of the horn switch located in the hub cavity of the steering wheel.

(8) Reinstall the driver airbag onto the steering wheel. (Refer to 8 - ELECTRICAL/RESTRAINTS/DRIVER AIRBAG - INSTALLATION).

DRIVER AIRBAG

DESCRIPTION



810b8fd5

Fig. 18 Driver Airbag Trim Cover

- 1 - STEERING WHEEL
- 2 - TRIM COVER

The color-keyed, injection molded, thermoplastic driver airbag protective trim cover is the most visible part of the driver airbag (Fig. 18). The driver airbag is located in the center of the steering wheel, where it is secured with two screws to the armature of the horn switch within the hub cavity of the four-spoke steering wheel. Concealed beneath the driver airbag trim cover are the folded airbag cushion, the airbag cushion retainer, the airbag housing, the airbag inflator, and the retainers that secure the inflator to the airbag housing (Fig. 19). The airbag cushion, housing, and inflator are secured within an integral receptacle molded into the back of the trim cover.

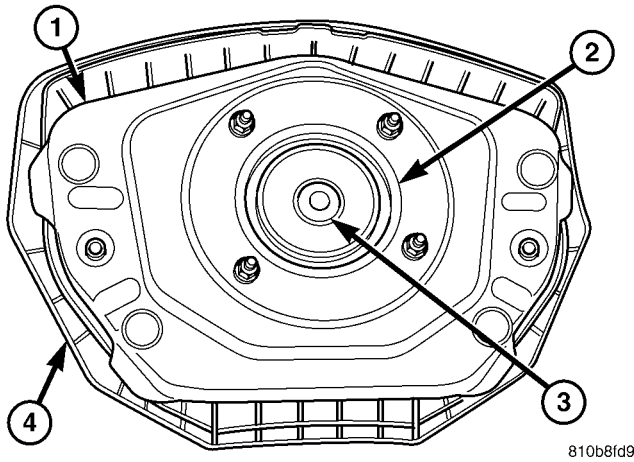


Fig. 19 Driver Airbag Housing

- 1 - HOUSING
- 2 - INFLATOR
- 3 - CONNECTOR RECEPTACLE
- 4 - TRIM COVER

The airbag used in this model is a Next Generation-type that complies with revised federal airbag standards to deploy with less force than those used in some prior models. A radial deploying fabric cushion with internal tethers is used. The airbag inflator is a solid fuel, pyrotechnic-type unit with four studs and is secured by four hex nuts to four studs on the airbag cushion retainer ring to the back of the stamped metal airbag housing. A keyed connector receptacle on the driver airbag inflator connects the inflator initiator to the vehicle electrical system through a yellow-jacketed, two-wire pigtail harness of the clockspring.

The driver airbag and trim cover unit cannot be repaired, and must be replaced if deployed, faulty, or in any way damaged.

OPERATION

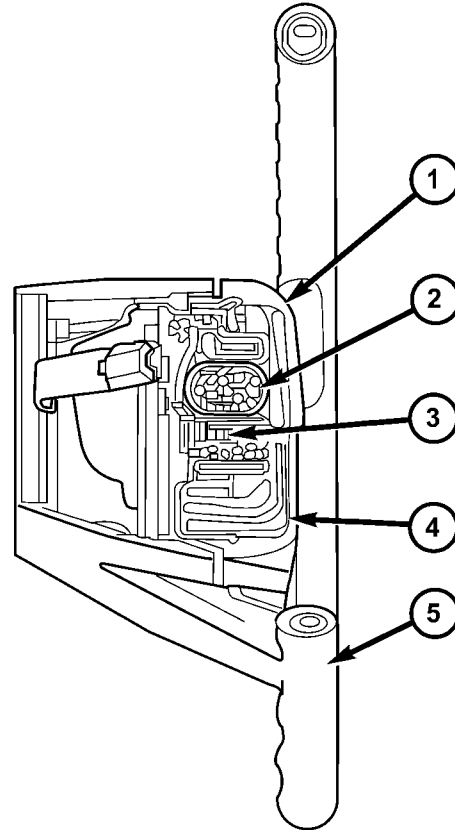


Fig. 20 Driver Airbag Operation

- 1 - TRIM COVER
- 2 - INFLATOR
- 3 - INITIATOR
- 4 - CUSHION (FOLDED)
- 5 - STEERING WHEEL

The driver airbag is deployed by electrical signals generated by the Airbag Control Module (ACM) through the driver airbag squib circuit to the initiator in the airbag inflator (Fig. 20). When the ACM sends the proper electrical signal to the initiator the electrical energy generates enough heat to initiate a small pyrotechnic charge which, in turn, ignites chemical pellets within the inflator. Once ignited, these chemical pellets burn rapidly and produce a large quantity of inert gas. The inflator is sealed to the back of the airbag housing and a diffuser in the inflator directs all of the inert gas into the airbag cushion, causing the cushion to inflate. As the cushion inflates, the driver airbag trim cover will split at predetermined breakout lines, then fold back out of the way. Following an airbag deployment, the airbag cushion quickly deflates by venting the inert gas towards the instrument panel through filtered vents within the fabric used to construct the back (steering wheel side) panel of the airbag cushion.

Some of the chemicals used to create the inert gas may be considered hazardous while in their solid state before they are burned, but they are securely

sealed within the airbag inflator. Typically, all potentially hazardous chemicals are burned during an airbag deployment event. The inert gas that is produced when the chemicals are burned is harmless. However, a small amount of residue from the burned chemicals may cause some temporary discomfort if it contacts the skin, eyes, or breathing passages. If skin or eye irritation is noted, rinse the affected area with plenty of cool, clean water. If breathing passages are irritated, move to another area where there is plenty of clean, fresh air to breathe. If the irritation is not alleviated by these actions, contact a physician.

REMOVAL

The following procedure is for replacement of a faulty or damaged driver airbag. If the airbag is faulty or damaged, but not deployed, review the recommended procedures for handling non-deployed supplemental restraints. (Refer to 8 - ELECTRICAL/RESTRAINTS - STANDARD PROCEDURE - HANDLING NON-DEPLOYED SUPPLEMENTAL RESTRAINTS). If the driver airbag has been deployed, review the recommended procedures for service after a supplemental restraint deployment before removing the airbag from the vehicle. (Refer to 8 - ELECTRICAL/RESTRAINTS - STANDARD PROCEDURE - SERVICE AFTER A SUPPLEMENTAL RESTRAINT DEPLOYMENT).

WARNING: To avoid personal injury or death, on vehicles equipped with airbags, disable the supplemental restraint system before attempting any steering wheel, steering column, airbag, seat belt tensioner, impact sensor, or instrument panel component diagnosis or service. Disconnect and isolate the battery negative (ground) cable, then wait two minutes for the system capacitor to discharge before performing further diagnosis or service. This is the only sure way to disable the supplemental restraint system. Failure to take the proper precautions could result in accidental airbag deployment.

WARNING: To avoid personal injury or death, when removing a deployed airbag, rubber gloves, eye protection, and a long-sleeved shirt should be worn. There may be deposits on the airbag cushion and other interior surfaces. In large doses, these deposits may cause irritation to the skin and eyes.

(1) Disconnect and isolate the battery negative cable. Wait two minutes for the system capacitor to discharge before further service.

(2) From the underside of the steering wheel, remove the two screws that secure the driver airbag to the horn switch armature within the hub cavity of the steering wheel (Fig. 21).

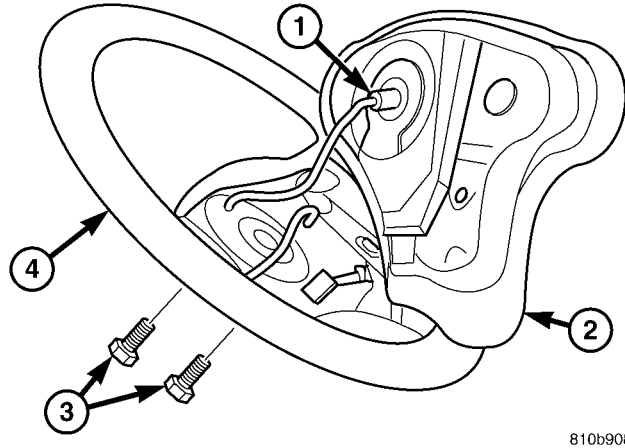


Fig. 21 Driver Airbag Remove/Install

1 - AIRBAG CONNECTOR
2 - DRIVER AIRBAG

3 - SCREW (2)
4 - STEERING WHEEL

(3) Pull the driver airbag away from the steering wheel far enough to access the electrical connection at the back of the airbag housing.

CAUTION: Do not pull on the clockspring pigtail wires to disengage the connector from the driver airbag inflator connector receptacle. Improper removal of these pigtail wires and their connector insulator can result in damage to the airbag circuits or the connector insulator.

(4) The clockspring driver airbag pigtail wire connector is a tight snap-fit into the airbag inflator connector receptacle, which is located on the back of the driver airbag housing. Firmly grasp and pull or gently pry on the connector insulator and pull the connector straight out from the airbag inflator to disconnect it from the connector receptacle.

(5) Remove the driver airbag from the steering wheel.

(6) If the driver airbag has been deployed, the clockspring and the steering wheel must also be replaced. (Refer to 8 - ELECTRICAL/RESTRAINTS/CLOCKSPRING - REMOVAL) and (Refer to 19 - STEERING/COLUMN/STEERING WHEEL - REMOVAL).

INSTALLATION

The following procedure is for replacement of a faulty or damaged driver airbag. If the airbag is faulty or damaged, but not deployed, review the recommended procedures for handling non-deployed supplemental restraints. (Refer to 8 - ELECTRICAL/RESTRAINTS - STANDARD PROCEDURE - HANDLING NON-DEPLOYED SUPPLEMENTAL RESTRAINTS). If the driver airbag has been deployed, review the recommended procedures for service after a supplemental restraint deployment

before removing the airbag from the vehicle. (Refer to 8 - ELECTRICAL/RESTRAINTS - STANDARD PROCEDURE - SERVICE AFTER A SUPPLEMENTAL RESTRAINT DEPLOYMENT).

WARNING: To avoid personal injury or death, on vehicles equipped with airbags, disable the supplemental restraint system before attempting any steering wheel, steering column, airbag, seat belt tensioner, impact sensor, or instrument panel component diagnosis or service. Disconnect and isolate the battery negative (ground) cable, then wait two minutes for the system capacitor to discharge before performing further diagnosis or service. This is the only sure way to disable the supplemental restraint system. Failure to take the proper precautions could result in accidental airbag deployment.

WARNING: To avoid personal injury or death, use extreme care to prevent any foreign material from entering the driver airbag, or becoming entrapped between the driver airbag cushion and the driver airbag trim cover. Failure to observe this warning could result in occupant injuries upon airbag deployment.

WARNING: To avoid personal injury or death, the driver airbag trim cover must never be painted. Replacement airbags are serviced with trim covers in the original colors. Paint may change the way in which the material of the trim cover responds to an airbag deployment. Failure to observe this warning could result in occupant injuries upon airbag deployment.

(1) Position the driver airbag close enough to the steering wheel to reconnect the clockspring driver airbag pigtail wire connector at the back of the airbag housing.

(2) When installing the driver airbag, reconnect the clockspring driver airbag pigtail wire connector to the airbag inflator connector receptacle by pressing straight in on the connector (Fig. 21). You can be certain that the connector is fully engaged by listening carefully for a distinct, audible click as the connector snaps into place.

(3) Carefully position the driver airbag in the steering wheel. Be certain that the clockspring pigtail wire and horn switch wires in the steering wheel hub area are not pinched between the driver airbag and the horn switch armature.

(4) From the underside of the steering wheel, install and tighten the two screws that secure the driver airbag to the horn switch armature within the hub cavity of the steering wheel. Tighten the screws to 6 N·m (53 in. lbs.).

(5) Do not reconnect the battery negative cable at this time. The supplemental restraint system verification test procedure should be performed following service of any supplemental restraint system component. (Refer to 8 - ELECTRICAL/RESTRAINTS - STANDARD PROCEDURE - VERIFICATION TEST).

FRONT SEAT BELT & RETRAC- TOR

REMOVAL

The following procedure is for replacement of a faulty or damaged front seat belt and retractor unit, which includes a seat belt tensioner for the driver side as standard equipment. Vehicles equipped with an optional passenger airbag also have a seat belt tensioner for the passenger side. (Refer to 8 - ELECTRICAL/RESTRAINTS/SEAT BELT TENSIONER - DESCRIPTION). If the seat belt or retractor is faulty or damaged, but the seat belt tensioner is not deployed, review the recommended procedures for handling non-deployed supplemental restraints. (Refer to 8 - ELECTRICAL/RESTRAINTS - STANDARD PROCEDURE - HANDLING NON-DEPLOYED SUPPLEMENTAL RESTRAINTS). If the seat belt tensioner has been deployed, review the recommended procedures for service after a supplemental restraint deployment before removing the front seat belt and retractor from the vehicle. (Refer to 8 - ELECTRICAL/RESTRAINTS - STANDARD PROCEDURE - SERVICE AFTER A SUPPLEMENTAL RESTRAINT DEPLOYMENT).

WARNING: To avoid personal injury or death, on vehicles equipped with airbags, disable the supple-

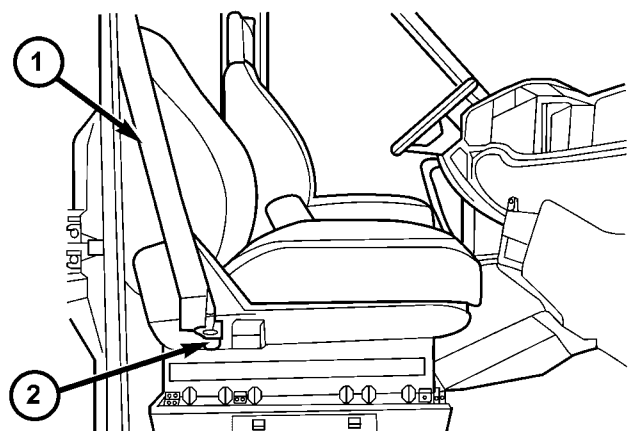
mental restraint system before attempting any steering wheel, steering column, airbag, seat belt tensioner, impact sensor, or instrument panel component diagnosis or service. Disconnect and isolate the battery negative (ground) cable, then wait two minutes for the system capacitor to discharge before performing further diagnosis or service. This is the only sure way to disable the supplemental restraint system. Failure to take the proper precautions could result in accidental airbag deployment.

WARNING: To avoid personal injury or death, during and following any seat belt service, carefully inspect all seat belts, buckles, mounting hardware, retractors, and anchors for proper installation, operation, or damage. Replace any belt that is cut, frayed, or torn. Straighten any belt that is twisted. Tighten any loose fasteners. Replace any belt that has a damaged or inoperative buckle or retractor. Replace any belt that has a bent or damaged latch plate or anchor plate. Never attempt to repair a seat belt component. Always replace damaged or faulty seat belt components with the correct, new and unused replacement parts listed in the DaimlerChrysler Mopar Parts Catalog.

(1) Move the front seat to its most forward position for easiest access to the B-pillar trim.

(2) Disconnect and isolate the battery negative cable. Wait two minutes for the system capacitor to discharge before further service.

(3) If the vehicle is so equipped, unsnap and remove the plastic cover from the screw that secures the front seat belt lower anchor to the outboard side of the seat frame (Fig. 22).



810ba2d4

Fig. 22 Front Seat Belt Lower Anchor

- 1 - FRONT SEAT BELT
2 - COVER AND/OR SCREW

(4) Remove the screw that secures the front seat belt lower anchor to the outboard side of the seat frame.

(5) Remove the front seat belt lower anchor from the outboard side of the seat frame.

(6) Remove the trim panel from the inside of the B-pillar. (Refer to 23 - BODY/INTERIOR/B-PILLAR TRIM - REMOVAL).

(7) Pull the height adjuster trim away from the upper B-pillar to disengage the driver from the lug of the height adjuster (Fig. 23).

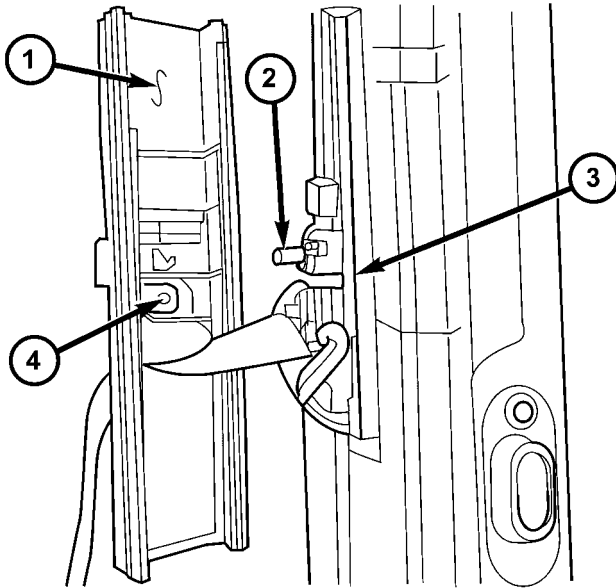
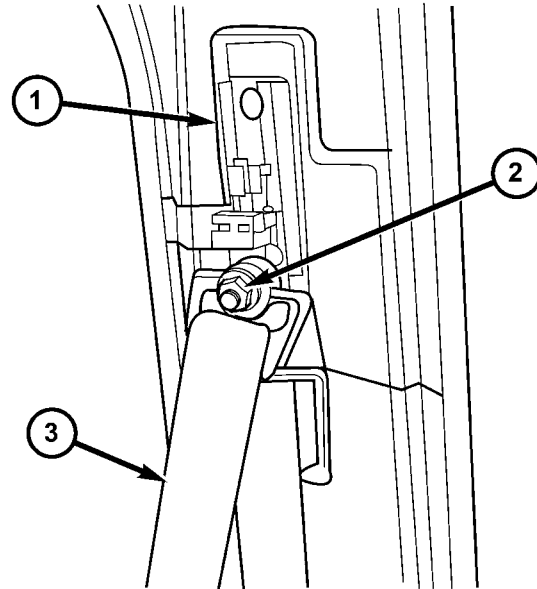


Fig. 23 Turning Loop Height Adjuster

- 1 - HEIGHT ADJUSTER TRIM
- 2 - LUG
- 3 - HEIGHT ADJUSTER
- 4 - DRIVER

(8) Pull the front seat belt and lower anchor through the back of the height adjuster trim.

(9) Remove the nut that secures the front seat belt turning loop to the height adjuster (Fig. 24).



810ba343

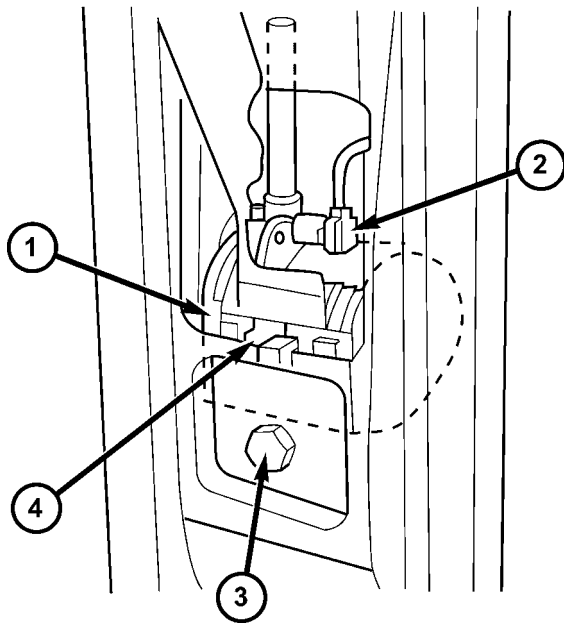
Fig. 24 Front Seat Belt Turning Loop

- 1 - HEIGHT ADJUSTER
- 2 - NUT
- 3 - FRONT SEAT BELT

(10) Remove the front seat belt turning loop from the height adjuster.

CAUTION: Do not pull on the wires to disengage the connector from the seat belt tensioner initiator connector receptacle. Improper removal of the connector insulator can result in damage to the seat belt tensioner circuits or the connector insulator.

(11) If so equipped, disconnect the vehicle wire harness connector for the seat belt tensioner from the initiator receptacle of the retractor located on the lower inner B-pillar (Fig. 25). The connector is a tight snap-fit into the initiator receptacle. Firmly grasp and pull or gently pry on the connector insulator and pull the connector straight out from the initiator to disconnect it from the receptacle.



810ba34e

Fig. 25 Front Seat Belt Retractor

- 1 - RETRACTOR
- 2 - CONNECTOR
- 3 - SCREW
- 4 - GUIDE

(12) Remove the screw that secures the front seat belt retractor to the lower inner B-pillar.

(13) Remove the front seat belt and retractor unit from the B-pillar.

INSTALLATION

The following procedure is for replacement of a faulty or damaged front seat belt and retractor unit, which includes a seat belt tensioner for the driver side as standard equipment. Vehicles equipped with an optional passenger airbag also have a seat belt tensioner for the passenger side. (Refer to 8 - ELECTRICAL/RESTRAINTS/SEAT BELT TENSIONER - DESCRIPTION). If the seat belt or retractor is faulty or damaged, but the seat belt tensioner is not deployed, review the recommended procedures for handling non-deployed supplemental restraints. (Refer to 8 - ELECTRICAL/RESTRAINTS - STANDARD PROCEDURE - HANDLING NON-DEPLOYED SUPPLEMENTAL RESTRAINTS). If the seat belt tensioner has been deployed, review the recommended procedures for service after a supplemental restraint deployment before removing the front seat belt and retractor from the vehicle. (Refer to 8 - ELECTRICAL/RESTRAINTS - STANDARD PROCEDURE - SERVICE AFTER A SUPPLEMENTAL RESTRAINT DEPLOYMENT).

WARNING: To avoid personal injury or death, on vehicles equipped with airbags, disable the supplemental restraint system before attempting any

steering wheel, steering column, airbag, seat belt tensioner, impact sensor, or instrument panel component diagnosis or service. Disconnect and isolate the battery negative (ground) cable, then wait two minutes for the system capacitor to discharge before performing further diagnosis or service. This is the only sure way to disable the supplemental restraint system. Failure to take the proper precautions could result in accidental airbag deployment.

WARNING: To avoid personal injury or death, during and following any seat belt service, carefully inspect all seat belts, buckles, mounting hardware, retractors, and anchors for proper installation, operation, or damage. Replace any belt that is cut, frayed, or torn. Straighten any belt that is twisted. Tighten any loose fasteners. Replace any belt that has a damaged or inoperative buckle or retractor. Replace any belt that has a bent or damaged latch plate or anchor plate. Never attempt to repair a seat belt component. Always replace damaged or faulty seat belt components with the correct, new and unused replacement parts listed in the DaimlerChrysler Mopar Parts Catalog.

(1) Position the front seat belt and retractor to the lower inner (Fig. 25). Be certain to engage the guide on the retractor into the locating notch on the B-pillar.

(2) Install and tighten the screw that secures the front seat belt retractor to the lower inner B-pillar. Tighten the screw to 35 N·m (26 ft. lbs.).

(3) If so equipped, reconnect the vehicle wire harness connector for the seat belt tensioner to the initiator receptacle of the retractor located on the lower inner B-pillar. The connector is a tight snap-fit into the initiator receptacle. Reconnect the connector by pressing the connector insulator straight into the initiator receptacle. You can be certain that the connector is fully engaged by listening carefully for a distinct, audible click as the connector snaps into place.

(4) Position the front seat belt turning loop onto the height adjuster on the upper B-pillar (Fig. 24).

(5) Install and tighten the nut that secures the front seat belt turning loop to the height adjuster. Tighten the nut to 35 N·m (26 ft. lbs.).

(6) Route the front seat belt and lower anchor through the back of the height adjuster trim (Fig. 23).

(7) Position the height adjuster trim to the upper B-pillar so that the driver on the back of the trim engages the lug of the height adjuster.

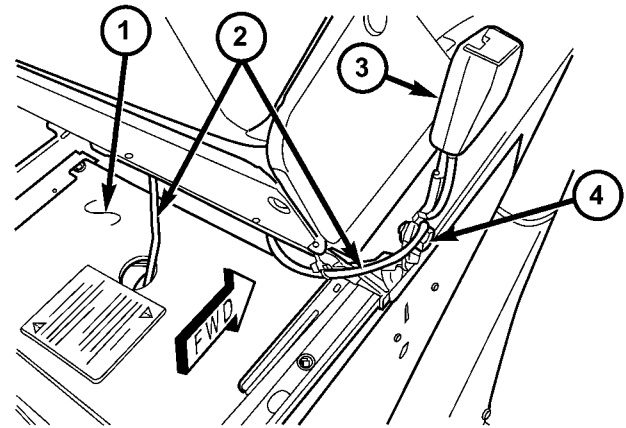
(8) Reinstall the trim panel onto the inside of the B-pillar. (Refer to 23 - BODY/INTERIOR/B-PILLAR TRIM - INSTALLATION).

(9) Position the front seat belt lower anchor to the outboard side of the seat frame (Fig. 22).

(10) Install and tighten the screw that secures the front seat belt lower anchor to the outboard side of the seat frame. Tighten the screw to 35 N·m (26 ft. lbs.).

(11) If the vehicle is so equipped, snap the plastic cover over the screw that secures the front seat belt lower anchor to the outboard side of the seat frame.

(12) Do not reconnect the battery negative cable at this time. The supplemental restraint system verification test procedure should be performed following service of any supplemental restraint system component. (Refer to 8 - ELECTRICAL/RESTRAINTS - STANDARD PROCEDURE - VERIFICATION TEST).



810baa4c

Fig. 26 Front Seat Belt Buckle Remove/Install

- 1 - SEAT RISER COVER PANEL
- 2 - SEAT BELT SWITCH PIGTAIL WIRE (DRIVER SIDE ONLY)
- 3 - BUCKLE
- 4 - SCREW AND/OR COVER

FRONT SEAT BELT BUCKLE

REMOVAL

WARNING: To avoid personal injury or death, during and following any seat belt service, carefully inspect all seat belts, buckles, mounting hardware, retractors, and anchors for proper installation, operation, or damage. Replace any belt that is cut, frayed, or torn. Straighten any belt that is twisted. Tighten any loose fasteners. Replace any belt that has a damaged or inoperative buckle or retractor. Replace any belt that has a bent or damaged latch plate or anchor plate. Never attempt to repair a seat belt component. Always replace damaged or faulty seat belt components with the correct, new and unused replacement parts listed in the DaimlerChrysler Mopar Parts Catalog.

(1) On the driver side only, move the seat to its most forward position for easiest access to the seat belt switch pigtail wire and connector.

(2) On the driver side only, remove the wire ties that secure the seat belt switch pigtail wire to the seat frame (Fig. 26).

(3) On the driver side only, pull the seat belt switch pigtail wire out through the clearance hole in the seat riser cover far enough to access and disconnect the pigtail wire from the vehicle wire harness.

(4) If the vehicle is so equipped, unsnap and remove the plastic cover from the screw that secures the front seat belt buckle lower anchor to the inboard side of the seat frame.

(5) Remove the screw that secures the front seat belt buckle lower anchor to the inboard side of the seat frame.

(6) Remove the front seat belt buckle from the inboard side of the front seat frame.

INSTALLATION

WARNING: To avoid personal injury or death, during and following any seat belt service, carefully inspect all seat belts, buckles, mounting hardware, retractors, and anchors for proper installation, operation, or damage. Replace any belt that is cut, frayed, or torn. Straighten any belt that is twisted. Tighten any loose fasteners. Replace any belt that has a damaged or inoperative buckle or retractor. Replace any belt that has a bent or damaged latch plate or anchor plate. Never attempt to repair a seat belt component. Always replace damaged or faulty seat belt components with the correct, new and unused replacement parts listed in the DaimlerChrysler Mopar Parts Catalog.

(1) Position the front seat belt buckle to the inboard side of the front seat frame (Fig. 26).

(2) Install and tighten the screw that secures the front seat belt buckle lower anchor to the inboard side of the front seat frame. Tighten the screw to 35 N·m (26 ft. lbs.).

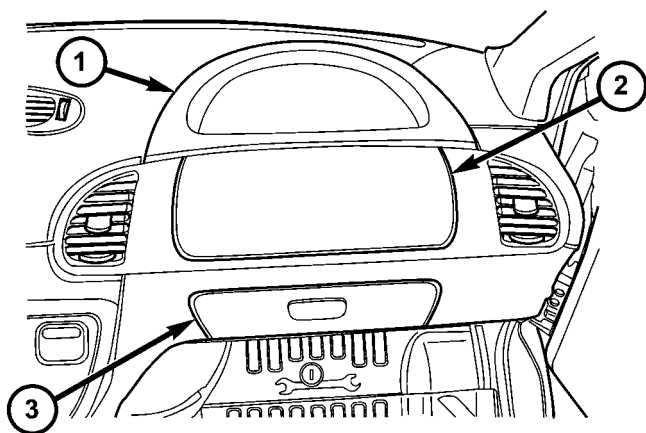
(3) If the vehicle is so equipped, snap the plastic cover over the screw that secures the front seat belt buckle lower anchor to the inboard side of the seat frame.

(4) On the driver side only, reconnect the seat belt switch pigtail wire to the vehicle wire harness and push the joined connectors through the clearance hole in the seat riser cover.

(5) On the driver side only, route and secure the seat belt switch pigtail wire to the seat frame with wire ties.

PASSENGER AIRBAG

DESCRIPTION



810bad04

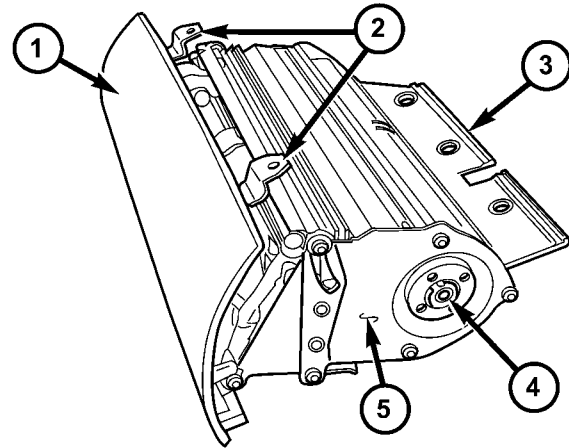
Fig. 27 Passenger Airbag Door

- 1 - INSTRUMENT PANEL TRAY
- 2 - PASSENGER AIRBAG DOOR
- 3 - GLOVE BOX DOOR

The rearward facing surface of the injection molded, thermoplastic passenger airbag door is the most visible part of the optional passenger airbag (Fig. 27). The passenger airbag door is located above the glove box opening in front of the front seat passenger seating position on the instrument panel. The upper and lower edges of the airbag door are secured by a snap-fit to molded plastic clips. The two clips at the top are each secured by a screw to the instrument panel base trim, while the clips at the bottom are integral to the panel that surrounds the passenger airbag door opening in the instrument panel base trim. The airbag door is also secured to the airbag housing by two wide woven straps that serve as hinges for the door upon an airbag deployment.

Located behind the passenger airbag door is the passenger airbag unit (Fig. 28). The airbag housing is constructed of a long U-shaped aluminum extrusion with two stamped steel end plates. A stepped flange that extends from the back of the extrusion serves as the airbag mounting flange. This mounting

flange is secured with screws to a stamped steel airbag mounting bracket that is secured with screws to the tubular steel instrument panel structural support above the glove box opening. The end plates are secured to each side of the passenger airbag housing with screws.



810bad0b

Fig. 28 Passenger Airbag Unit

- 1 - DOOR
- 2 - CLIP (2)
- 3 - HOUSING
- 4 - CONNECTOR RECEPTACLE
- 5 - END PLATE (2)

The passenger airbag unit used in this model is a Next Generation-type that complies with revised federal airbag standards to deploy with less force than those used in some prior models. The airbag housing contains the folded airbag cushion, the airbag retainer, and the airbag inflator. The airbag is a rectangular fabric cushion. The airbag inflator is a solid fuel, pyrotechnic-type unit that is secured to and sealed within the airbag housing along with the folded airbag cushion. The inflator initiator connector receptacle is connected to the vehicle electrical system through a dedicated take out of the vehicle wire harness with a yellow connector insulator.

The passenger airbag and airbag door unit cannot be repaired, and must be replaced if deployed, faulty or in any way damaged.

OPERATION

The passenger airbag is deployed by an electrical signal generated by the Airbag Control Module (ACM) through the passenger airbag squib circuits to the initiator in the airbag inflator. When the ACM sends the proper electrical signal to the initiator the electrical energy generates enough heat to initiate a small pyrotechnic charge which, in turn, ignites chemical pellets within the inflator. Once ignited, these chemical pellets burn rapidly and produce a large quantity of inert gas. The inflator is sealed to the back of the airbag housing and a diffuser in the

inflator directs all of the inert gas into the airbag cushion, causing the cushion to inflate.

As the airbag cushion inflates, the passenger airbag door will unsnap from the clips that retain it to the instrument panel at the top and bottom, then pivot towards the top of the instrument panel and out of the way on the woven straps. Following a passenger airbag deployment, the airbag cushion quickly deflates by venting the inert gas through the loose weave of the fabric used to construct the back (instrument panel side) of the airbag cushion.

Some of the chemicals used to create the inert gas may be considered hazardous while in their solid state before they are burned, but they are securely sealed within the airbag inflator. However, the gas that is produced when the chemicals are burned is harmless. A small amount of residue from the burned chemicals may cause some temporary discomfort if it contacts the skin, eyes, or breathing passages. If skin or eye irritation is noticed, rinse the affected area with plenty of cool, clean water. If breathing passages are irritated, move to another area where there is plenty of clean, fresh air to breathe. If the irritation is not alleviated by these actions, contact a physician immediately.

REMOVAL

The following procedure is for replacement of a faulty or damaged passenger airbag. If the airbag is faulty or damaged, but not deployed, review the recommended procedures for handling non-deployed supplemental restraints. (Refer to 8 - ELECTRICAL/RESTRAINTS - STANDARD PROCEDURE - HANDLING NON-DEPLOYED SUPPLEMENTAL RESTRAINTS). If the passenger airbag has been deployed, review the recommended procedures for service after a supplemental restraint deployment before removing the airbag from the vehicle. (Refer to 8 - ELECTRICAL/RESTRAINTS - STANDARD PROCEDURE - SERVICE AFTER A SUPPLEMENTAL RESTRAINT DEPLOYMENT).

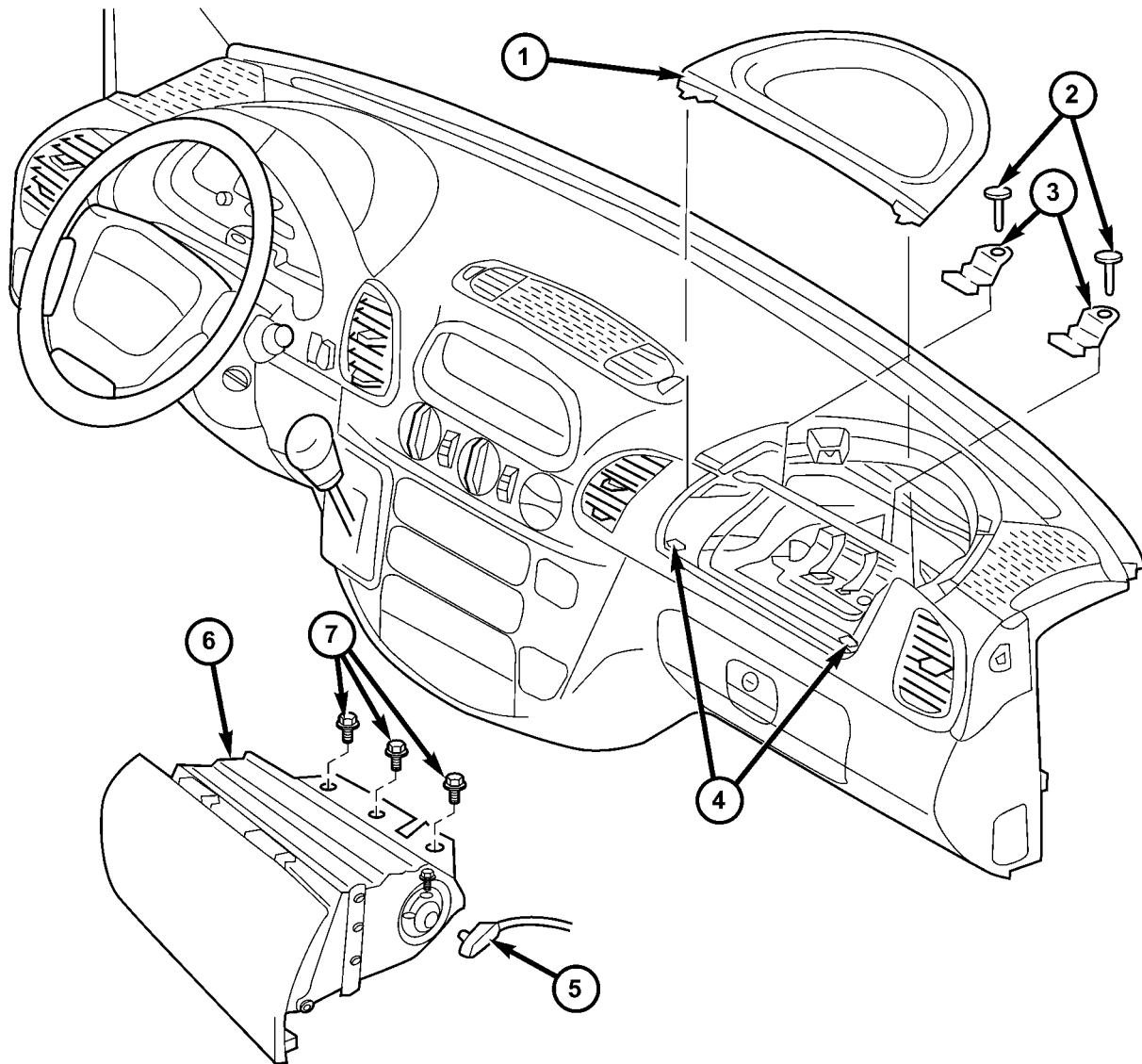
WARNING: To avoid personal injury or death, on vehicles equipped with airbags, disable the supplemental restraint system before attempting any steering wheel, steering column, airbag, seat belt tensioner, impact sensor, or instrument panel component diagnosis or service. Disconnect and isolate the battery negative (ground) cable, then wait two minutes for the system capacitor to discharge before performing further diagnosis or service. This is the only sure way to disable the supplemental restraint system. Failure to take the proper precautions could result in accidental airbag deployment.

WARNING: To avoid personal injury or death, when removing a deployed airbag, rubber gloves, eye

protection, and a long-sleeved shirt should be worn. There may be deposits on the airbag unit and other interior surfaces. In large doses, these deposits may cause irritation to the skin and eyes.

(1) Disconnect and isolate the battery negative cable. Wait two minutes for the system capacitor to discharge before further service.

(2) Remove the instrument panel top cover tray from over the passenger airbag (Fig. 29). (Refer to 23 - BODY/INSTRUMENT PANEL/INSTRUMENT PANEL TOP COVER - TRAY - REMOVAL).



810baf16

Fig. 29 Passenger Airbag Remove/Install

- 1 - TRAY
- 2 - SCREW (2)
- 3 - UPPER CLIP (2)
- 4 - LOWER CLIP (2)
- 5 - CONNECTOR
- 6 - PASSENGER AIRBAG
- 7 - SCREW (3)

(3) Remove the two screws that secure the passenger airbag door upper clips to the instrument panel base trim.

(4) Remove the three screws that secure the flange of the passenger airbag housing to the bracket on the instrument panel structural support.

(5) Pull the passenger airbag unit rearward to disengage the airbag door from the lower clips and far enough to access the electrical connection on the right end of the unit.

CAUTION: Do not pull on the wires to disengage the connector from the passenger airbag inflator connector receptacle. Improper removal of the connector insulator can result in damage to the airbag circuits or the connector insulator.

(6) The vehicle wire harness connector is a tight snap-fit into the airbag inflator connector receptacle, which is located on the right end of the passenger airbag housing. Firmly grasp and pull or gently pry on the connector insulator and pull the connector

straight out from the inflator to disconnect it from the receptacle.

(7) Remove the passenger airbag and airbag door from the instrument panel as a unit.

INSTALLATION

The following procedure is for replacement of a faulty or damaged passenger airbag. If the airbag is faulty or damaged, but not deployed, review the recommended procedures for handling non-deployed supplemental restraints. (Refer to 8 - ELECTRICAL/RESTRAINTS - STANDARD PROCEDURE - HANDLING NON-DEPLOYED SUPPLEMENTAL RESTRAINTS). If the passenger airbag has been deployed, review the recommended procedures for service after a supplemental restraint deployment before removing the airbag from the vehicle. (Refer to 8 - ELECTRICAL/RESTRAINTS - STANDARD PROCEDURE - SERVICE AFTER A SUPPLEMENTAL RESTRAINT DEPLOYMENT).

WARNING: To avoid personal injury or death, on vehicles equipped with airbags, disable the supplemental restraint system before attempting any steering wheel, steering column, airbag, seat belt tensioner, impact sensor, or instrument panel component diagnosis or service. Disconnect and isolate the battery negative (ground) cable, then wait two minutes for the system capacitor to discharge before performing further diagnosis or service. This is the only sure way to disable the supplemental restraint system. Failure to take the proper precautions could result in accidental airbag deployment.

WARNING: To avoid personal injury or death, use extreme care to prevent any foreign material from entering the passenger airbag, or becoming entrapped between the passenger airbag cushion and the passenger airbag door. Failure to observe this warning could result in occupant injuries upon airbag deployment.

WARNING: To avoid personal injury or death, the passenger airbag door must never be painted. Replacement passenger airbags are serviced with doors in the original colors. Paint may change the way in which the material of the airbag door responds to an airbag deployment. Failure to observe this warning could result in occupant injuries upon airbag deployment.

(1) Carefully position the passenger airbag and airbag door unit to the instrument panel (Fig. 29).

(2) When installing the passenger airbag, reconnect the vehicle wire harness connector to the airbag inflator connector receptacle by pressing straight in on the connector. You can be certain that the connec-

tor is fully engaged by listening carefully for a distinct, audible click as the connector snaps into place.

(3) Push the passenger airbag unit forward far enough to engage the lower edge of the airbag door with the two lower clips in the instrument panel.

(4) Install and tighten the two screws that secure the flange of the passenger airbag housing to the bracket on the instrument panel structural support. Tighten the screws to 10 N·m (89 in. lbs.).

(5) Install and tighten the two screws that secure the passenger airbag door upper clips to the instrument panel base trim. Tighten the screws to 2 N·m (18 in. lbs.).

(6) Reinstall the instrument panel top cover tray onto the instrument panel. (Refer to 23 - BODY/INSTRUMENT PANEL/INSTRUMENT PANEL TOP COVER - TRAY - INSTALLATION).

(7) Do not reconnect the battery negative cable at this time. The supplemental restraint system verification test procedure should be performed following service of any supplemental restraint system component. (Refer to 8 - ELECTRICAL/RESTRAINTS - STANDARD PROCEDURE - VERIFICATION TEST).

PASSENGER AIRBAG BRACKET

REMOVAL

WARNING: To avoid personal injury or death, on vehicles equipped with airbags, disable the supplemental restraint system before attempting any steering wheel, steering column, airbag, seat belt tensioner, impact sensor, or instrument panel component diagnosis or service. Disconnect and isolate the battery negative (ground) cable, then wait two minutes for the system capacitor to discharge before performing further diagnosis or service. This is the only sure way to disable the supplemental restraint system. Failure to take the proper precautions could result in accidental airbag deployment.

(1) Remove the passenger airbag from the instrument panel. (Refer to 8 - ELECTRICAL/RESTRAINTS/PASSENGER AIRBAG - REMOVAL).

(2) Remove the four screws that secure the passenger airbag bracket to the instrument panel structural support (Fig. 30).

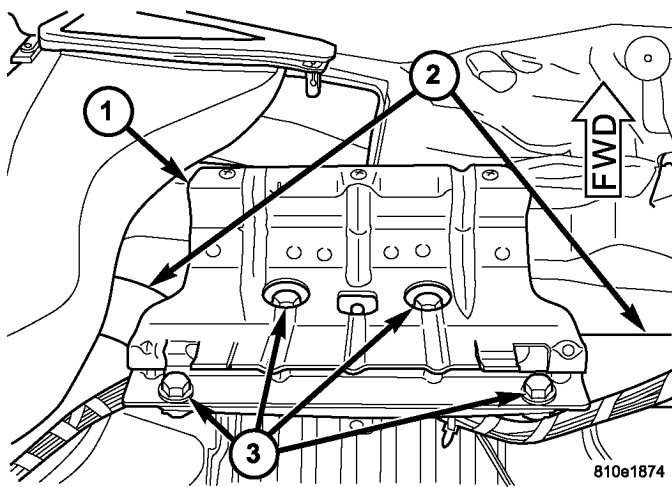


Fig. 30 Passenger Airbag Bracket Remove/Install

- 1 - BRACKET
- 2 - STRUCTURAL SUPPORT
- 3 - SCREW (4)

(3) Remove the passenger airbag bracket from the instrument panel structural support.

INSTALLATION

WARNING: To avoid personal injury or death, on vehicles equipped with airbags, disable the supplemental restraint system before attempting any steering wheel, steering column, airbag, seat belt tensioner, impact sensor, or instrument panel component diagnosis or service. Disconnect and isolate the battery negative (ground) cable, then wait two minutes for the system capacitor to discharge before performing further diagnosis or service. This is the only sure way to disable the supplemental restraint system. Failure to take the proper precautions could result in accidental airbag deployment.

(1) Position the passenger airbag bracket onto the instrument panel structural support (Fig. 30).

(2) Install and tighten the four screws that secure the passenger airbag bracket to the instrument panel structural support. Tighten the screws to 10 N·m (89 in. lbs.).

(3) Reinstall the passenger airbag into the instrument panel. (Refer to 8 - ELECTRICAL/RESTRAINTS/PASSENGER AIRBAG - INSTALLATION).

REAR SEAT BELT & RETRAC- TOR

REMOVAL

WARNING: To avoid personal injury or death, during and following any seat belt service, carefully inspect all seat belts, buckles, mounting hardware,

retractors, and anchors for proper installation, operation, or damage. Replace any belt that is cut, frayed, or torn. Straighten any belt that is twisted. Tighten any loose fasteners. Replace any belt that has a damaged or inoperative buckle or retractor. Replace any belt that has a bent or damaged latch plate or anchor plate. Never attempt to repair a seat belt component. Always replace damaged or faulty seat belt components with the correct, new and unused replacement parts listed in the DaimlerChrysler Mopar Parts Catalog.

(1) Remove the rear bench seat containing the rear seat belt and retractor unit to be serviced from the vehicle.

(2) Lift the seat belt webbing to access and remove the plastic push pin fastener that secures the rear seat belt turning loop trim cover to the turning loop bracket at the top of the seat back (Fig. 31).

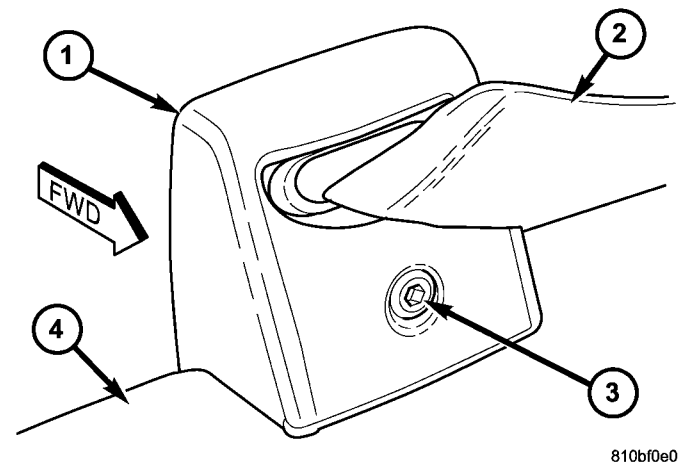


Fig. 31 Turning Loop Trim Cover

- 1 - TRIM COVER
- 2 - SEAT BELT
- 3 - RETAINER
- 4 - REAR SEAT BACK

(3) Remove the turning loop trim cover from the turning loop bracket.

(4) Remove the push nut at the back of the turning loop bracket that secures the pin on which the two turning loops pivot (Fig. 32).

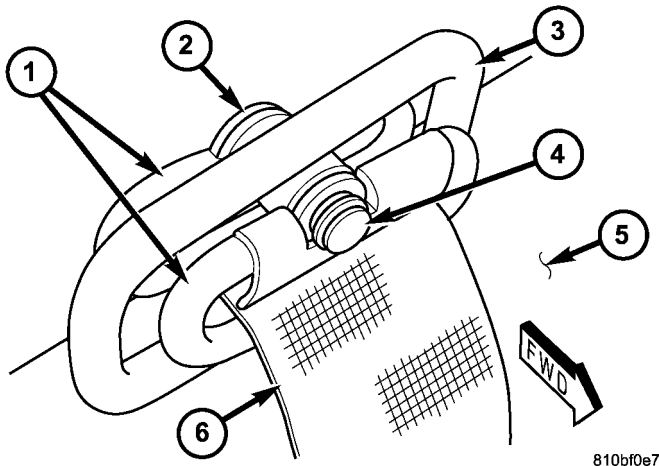


Fig. 32 Rear Seat Belt Turning Loop

- 1 - TURNING LOOP (2)
- 2 - PUSH NUT
- 3 - BRACKET
- 4 - PIN
- 5 - REAR SEAT BACK
- 6 - SEAT BELT

(5) Remove the pin and the two turning loops from the turning loop bracket.

(6) For a left outboard seating position only, unsnap and remove the plastic cover from the screw that secures the rear seat belt lower anchor to the left outboard side of the seat frame (Fig. 33).

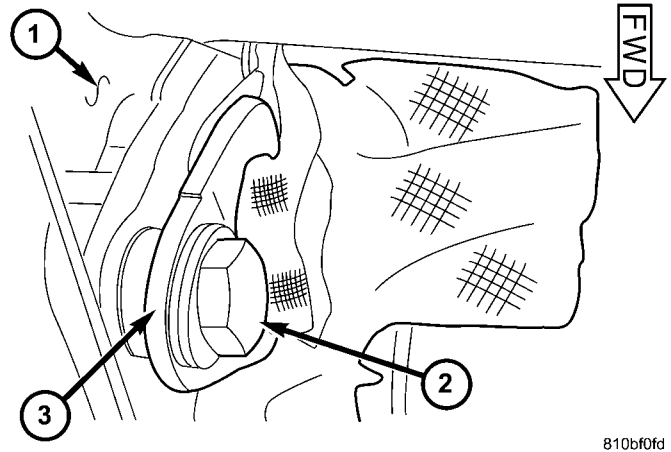


Fig. 34 Right Outboard or Center Rear Seat Belt Lower Anchor

- 1 - REAR SEAT CUSHION FRAME
- 2 - SCREW
- 3 - REAR SEAT BELT LOWER ANCHOR

(9) Pull the rear seat belt and lower anchor through the turning loop trim cover and the turning loop bracket.

(10) Remove the screw that secures the rear seat belt retractor to the bracket on the rear seat cushion frame (Fig. 35).

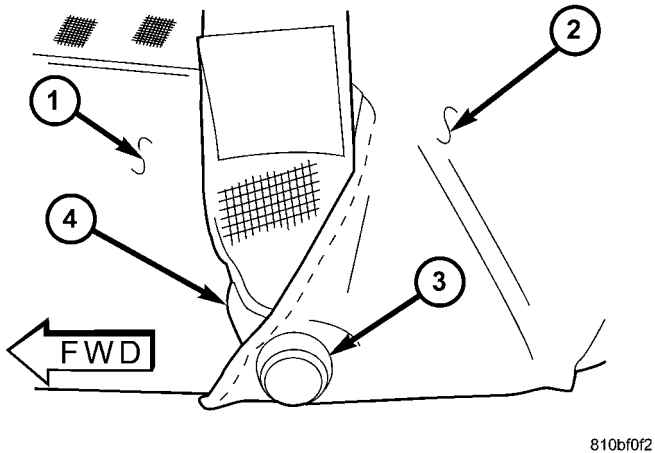


Fig. 33 Left Outboard Rear Seat Belt Lower Anchor

- 1 - REAR SEAT CUSHION TRIM
- 2 - REAR SEAT BACK TRIM
- 3 - SCREW AND COVER
- 4 - REAR SEAT BELT LOWER ANCHOR

(7) Remove the plastic shield from the back of the rear seat. (Refer to 23 - BODY/SEATS/REAR SEAT BACK SHIELD - REMOVAL).

(8) Remove the screw that secures the rear seat belt lower anchor to the rear seat cushion frame (Fig. 33) or (Fig. 34).

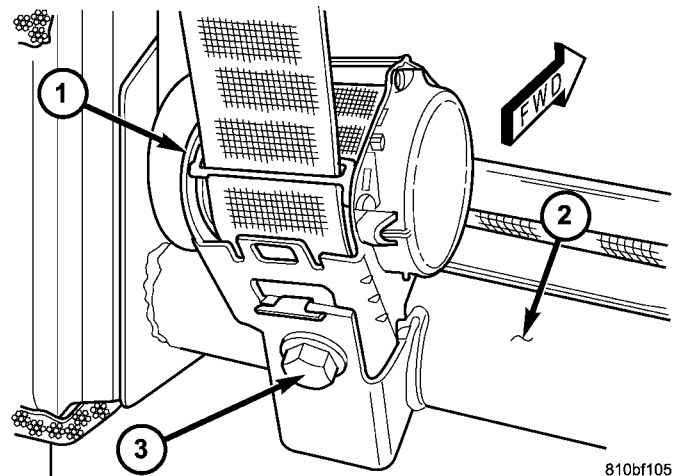


Fig. 35 Rear Seat Belt Retractor

- 1 - RETRACTOR
- 2 - REAR SEAT CUSHION FRAME
- 3 - SCREW

(11) Remove the rear seat belt and retractor unit from the bracket on the rear seat cushion frame.

INSTALLATION

WARNING: To avoid personal injury or death, during and following any seat belt service, carefully inspect all seat belts, buckles, mounting hardware, retractors, and anchors for proper installation, operation, or damage. Replace any belt that is cut, frayed, or torn. Straighten any belt that is twisted. Tighten any loose fasteners. Replace any belt that has a damaged or inoperative buckle or retractor. Replace any belt that has a bent or damaged latch plate or anchor plate. Never attempt to repair a seat belt component. Always replace damaged or faulty seat belt components with the correct, new and unused replacement parts listed in the DaimlerChrysler Mopar Parts Catalog.

(1) Position the rear seat belt and retractor unit onto the bracket of the rear seat cushion frame (Fig. 35). Be certain to engage the guide on the retractor into the locating notch on the bracket.

(2) Install and tighten the screw that secures the rear seat belt retractor to the bracket on the rear seat cushion frame. Tighten the screw to 35 N·m (26 ft. lbs.).

(3) Route the rear seat belt and lower anchor through the turning loop bracket and the turning loop trim cover.

(4) Position the rear seat belt lower anchor to the rear seat cushion frame (Fig. 33) or (Fig. 34).

(5) Install and tighten the screw that secures the rear seat belt lower anchor to the rear seat cushion frame. Tighten the screw to 35 N·m (26 ft. lbs.).

(6) For a left outboard seating position only, reinstall the plastic cover onto the screw that secures the rear seat belt lower anchor to the left outboard side of the seat frame.

(7) Position the two seat belt turning loops to the turning loop bracket so that one turning loop is located behind the bracket and one is located in front of the bracket (Fig. 32).

(8) From the front of the turning loop bracket, insert the pin through both turning loops and the bracket, then secure it from behind the bracket with a new push nut.

(9) Position the turning loop trim cover over the turning loop bracket.

(10) Lift the seat belt webbing to access and install the plastic push pin fastener that secures the rear seat belt turning loop trim cover to the turning loop bracket at the top of the seat back (Fig. 31).

(11) Reinstall the plastic shield onto the back of the rear seat. (Refer to 23 - BODY/SEATS/REAR SEAT BACK SHIELD - INSTALLATION).

(12) Reinstall the rear bench seat into the vehicle.

REAR SEAT BELT BUCKLE

REMOVAL

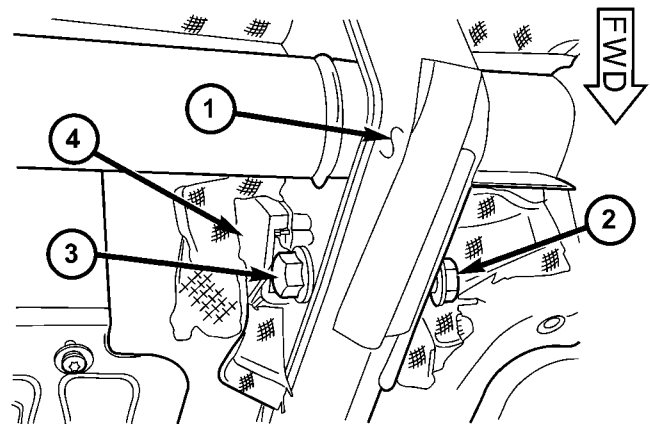
REMOVAL - INBOARD

WARNING: To avoid personal injury or death, during and following any seat belt service, carefully inspect all seat belts, buckles, mounting hardware, retractors, and anchors for proper installation, operation, or damage. Replace any belt that is cut, frayed, or torn. Straighten any belt that is twisted. Tighten any loose fasteners. Replace any belt that has a damaged or inoperative buckle or retractor. Replace any belt that has a bent or damaged latch plate or anchor plate. Never attempt to repair a seat belt component. Always replace damaged or faulty seat belt components with the correct, new and unused replacement parts listed in the DaimlerChrysler Mopar Parts Catalog.

(1) Remove the rear bench seat containing the inboard rear seat belt buckle unit to be serviced from the vehicle.

(2) Remove the plastic shield from the back of the rear seat. (Refer to 23 - BODY/SEATS/REAR SEAT BACK SHIELD - REMOVAL).

(3) Remove the screw that secures either the inboard rear seat belt buckle to the rear seat cushion frame (Fig. 36).



810c102a

Fig. 36 Inboard Rear Seat Belt Buckle

- 1 - REAR SEAT CUSHION FRAME
- 2 - INBOARD REAR SEAT BELT LOWER ANCHOR
- 3 - SCREW
- 4 - INBOARD REAR SEAT BELT BUCKLE

(4) Remove the inboard rear seat belt buckle from the rear seat cushion frame.

REMOVAL - OUTBOARD

WARNING: To avoid personal injury or death, during and following any seat belt service, carefully inspect all seat belts, buckles, mounting hardware, retractors, and anchors for proper installation, operation, or damage. Replace any belt that is cut, frayed, or torn. Straighten any belt that is twisted. Tighten any loose fasteners. Replace any belt that has a damaged or inoperative buckle or retractor. Replace any belt that has a bent or damaged latch plate or anchor plate. Never attempt to repair a seat belt component. Always replace damaged or faulty seat belt components with the correct, new and unused replacement parts listed in the DaimlerChrysler Mopar Parts Catalog.

(1) Unsnap and remove the plastic cover from the screw that secures the outboard rear seat belt buckle to the right side of the seat cushion frame (Fig. 37).

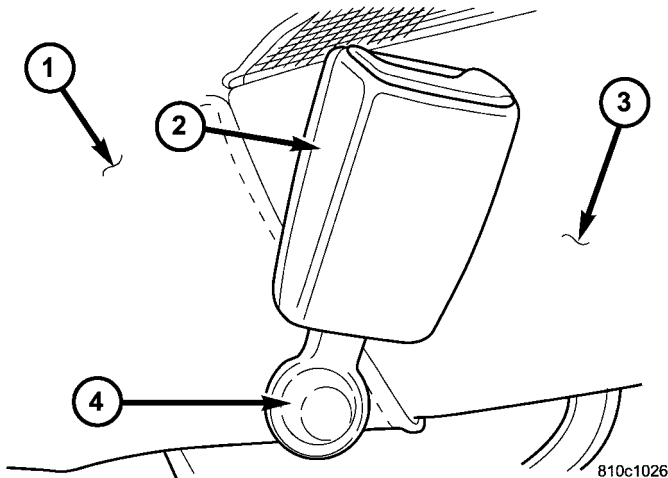


Fig. 37 Outboard Rear Seat Belt Buckle

- 1 - REAR SEAT BACK TRIM
- 2 - REAR SEAT BELT BUCKLE
- 3 - REAR SEAT CUSHION TRIM
- 4 - SCREW & COVER

(2) Remove the screw that secures the outboard rear seat belt buckle to the rear seat cushion frame.

(3) Remove the outboard rear seat belt buckle from the right side of the rear seat cushion frame.

INSTALLATION

INSTALLATION - INBOARD

WARNING: To avoid personal injury or death, during and following any seat belt service, carefully inspect all seat belts, buckles, mounting hardware, retractors, and anchors for proper installation, operation, or damage. Replace any belt that is cut, frayed, or torn. Straighten any belt that is twisted.

Tighten any loose fasteners. Replace any belt that has a damaged or inoperative buckle or retractor. Replace any belt that has a bent or damaged latch plate or anchor plate. Never attempt to repair a seat belt component. Always replace damaged or faulty seat belt components with the correct, new and unused replacement parts listed in the DaimlerChrysler Mopar Parts Catalog.

(1) Position the inboard rear seat belt buckle to the rear seat cushion frame (Fig. 36).

(2) Install and tighten the screw that secures either the inboard rear seat belt buckle to the rear seat cushion frame. Tighten the screw to 35 N·m (26 ft. lbs.).

(3) Reinstall the plastic shield onto the back of the rear seat. (Refer to 23 - BODY/SEATS/REAR SEAT BACK SHIELD - INSTALLATION).

(4) Reinstall the rear bench seat into the vehicle.

INSTALLATION - OUTBOARD

WARNING: To avoid personal injury or death, during and following any seat belt service, carefully inspect all seat belts, buckles, mounting hardware, retractors, and anchors for proper installation, operation, or damage. Replace any belt that is cut, frayed, or torn. Straighten any belt that is twisted. Tighten any loose fasteners. Replace any belt that has a damaged or inoperative buckle or retractor. Replace any belt that has a bent or damaged latch plate or anchor plate. Never attempt to repair a seat belt component. Always replace damaged or faulty seat belt components with the correct, new and unused replacement parts listed in the DaimlerChrysler Mopar Parts Catalog.

(1) Position the rear seat belt buckle to the right outboard side of the rear seat cushion frame (Fig. 37).

(2) Install and tighten the screw that secures the outboard rear seat belt buckle to the rear seat cushion frame. Tighten the screw to 35 N·m (26 ft. lbs.).

(3) Reinstall the plastic cover onto the screw that secures the rear seat belt buckle to the right outboard side of the rear seat cushion frame.

SEAT BELT SWITCH

DESCRIPTION

The seat belt switch is a small, normally closed, single pole, single throw, leaf contact, momentary switch. Only one seat belt switch is installed in the vehicle, and it is integral to the driver side front seat belt buckle unit. The seat belt switch is connected to the vehicle electrical system through a two-wire pigtail wire harness and connector to a dedicated take

out and connector of the vehicle wire harness located within the driver side front seat riser.

The seat belt switch cannot be adjusted or repaired and, if faulty or damaged, the entire driver side seat belt buckle unit must be replaced.

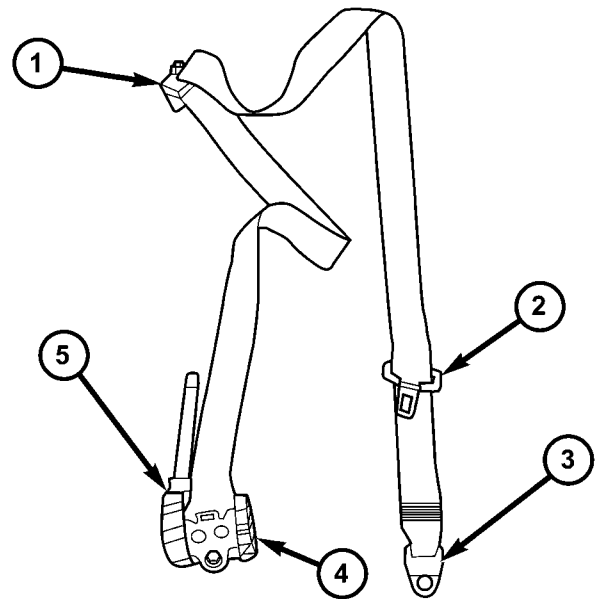
OPERATION

The seat belt switch is designed to control a path to ground for the seat belt switch sense input of the Electro-Mechanical Instrument Cluster (EMIC). The seat belt switch contact is actuated by the seat belt latch plate being inserted in to the buckle. When the seat belt latch plate is inserted into the buckle far enough to be engaged by the seat belt buckle latch, the switch leaf contact opens the seat belt switch sense circuit ground path; and, when the seat belt latch plate is released and extracted from the seat belt buckle latch the switch leaf contact is released, closing the circuit to ground.

The seat belt switch is connected in series between ground and the seat belt switch sense input of the instrument cluster. The seat belt switch receives ground at all times through its pigtail wire connection to the vehicle wire harness from another take out of the vehicle wire harness. An eyelet terminal connector on the vehicle wire harness ground take out is secured under a nut to a ground stud located on the floor panel within the driver side front seat riser. The seat belt switch may be diagnosed using conventional diagnostic tools and methods.

SEAT BELT TENSIONER

DESCRIPTION



810bca8d

Fig. 38 Seat Belt Tensioner

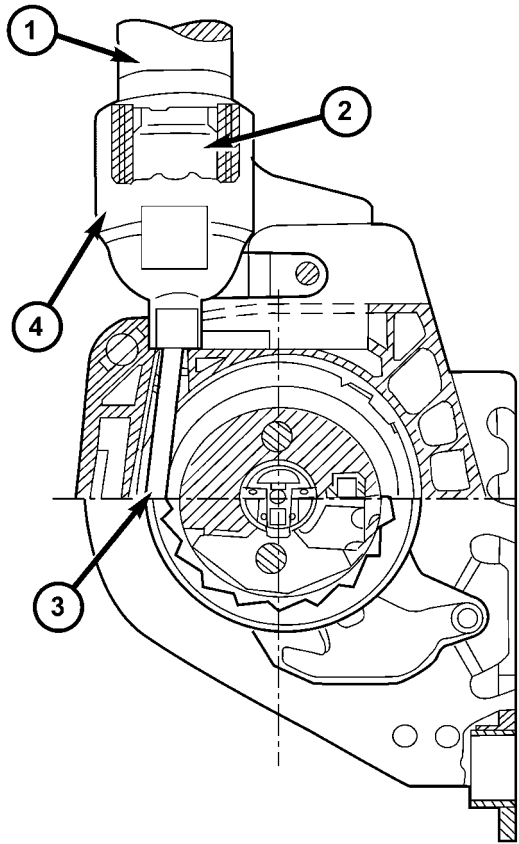
- 1 - TURNING LOOP
- 2 - LATCH PLATE
- 3 - LOWER ANCHOR
- 4 - RETRACTOR
- 5 - TENSIONER

Front seating position seat belt tensioners supplement the standard driver and optional passenger airbags for all versions of this model. When equipped, the seat belt tensioner is integral to the front seat belt and retractor units, which are secured to the inner B-pillars of the vehicle (Fig. 38). Each retractor is concealed beneath the molded plastic B-pillar trim. The seat belt tensioner consists primarily of a tubular steel housing, a piston, a cable, a torsion bar, and a small pyrotechnically activated gas generator. All of these components are located on one side of the retractor spool on the outside of the retractor housing except for the torsion bar, which serves as the spindle upon which the retractor spool rotates. The seat belt tensioner is controlled by the Airbag Control Module (ACM) and is connected to the vehicle electrical system through a dedicated take out of the vehicle wire harness by a keyed, snap-fit molded plastic connector insulator to ensure a secure connection.

The seat belt tensioner cannot be repaired and, if faulty or damaged, the entire front seat belt and retractor unit must be replaced. If the front airbags have been deployed, the seat belt tensioners have also been deployed. The seat belt tensioner is not intended for reuse and must be replaced following a

deployment. A growling or grinding sound while attempting to operate the seat belt retractor is a sure indication that the seat belt tensioner has been deployed and requires replacement. (Refer to 8 - ELECTRICAL/RESTRAINTS/Front Seat Belt & Retractor - Removal).

OPERATION



810bcb0a

Fig. 39 Seat Belt Tensioner Operation

- 1 - TUBE
- 2 - PISTON
- 3 - CABLE
- 4 - CYLINDER

The seat belt tensioners are deployed in conjunction with the airbags by a signal generated by the Airbag Control Module (ACM) through the driver and passenger seat belt tensioner line 1 and line 2 (or squib) circuits (Fig. 39). When the ACM sends the proper electrical signal to the tensioners, the electrical energy generates enough heat to initiate a small pyrotechnic gas generator. The gas generator is installed so that it directs its expelled gas at the underside of the piston in the cylinder. The piston is connected to a cable that is wound around a pulley on one end of the retractor spool. As the gas expands, it propels the piston through the tube, which pulls the cable and rotates the retractor spool to take up slack in the seat belt webbing.

Once a seat belt tensioning sequence has been completed, the forward momentum of the occupant

results in deformation of the torsion bar. Removing excess slack from the front seat belts not only keeps the occupants properly positioned for an airbag deployment following a frontal impact of the vehicle, but also helps to reduce injuries that the occupant might otherwise experience in a frontal impact event as a result of harmful contact with the steering wheel, steering column, instrument panel and/or windshield. The torsion bar is designed to deform in order to control the loads being applied to the occupant by the seat belt during a frontal impact, further reducing the potential for occupant injuries.

The ACM monitors the condition of the seat belt tensioners through circuit resistance. The ACM will illuminate the airbag indicator in the ElectroMechanical Instrument Cluster (EMIC) and store a Diagnostic Trouble Code (DTC) for any fault that is detected. For proper diagnosis of the seat belt tensioners, a diagnostic scan tool is required. Refer to the appropriate diagnostic information.

SEAT BELT TURNING LOOP ADJUSTER

REMOVAL

WARNING: To avoid personal injury or death, on vehicles equipped with airbags, disable the supplemental restraint system before attempting any steering wheel, steering column, airbag, seat belt tensioner, or instrument panel component diagnosis or service. Disconnect and isolate the battery negative (ground) cable, then wait two minutes for the system capacitor to discharge before performing further diagnosis or service. This is the only sure way to disable the supplemental restraint system. Failure to take the proper precautions could result in accidental airbag deployment.

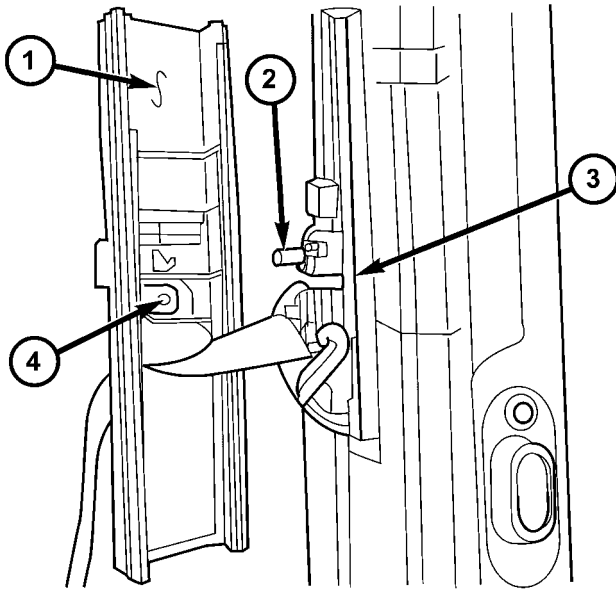
WARNING: To avoid personal injury or death, during and following any seat belt service, carefully inspect all seat belts, buckles, mounting hardware, retractors, and anchors for proper installation, operation, or damage. Replace any belt that is cut, frayed, or torn. Straighten any belt that is twisted. Tighten any loose fasteners. Replace any belt that has a damaged or inoperative buckle or retractor. Replace any belt that has a bent or damaged latch plate or anchor plate. Never attempt to repair a seat belt component. Always replace damaged or faulty seat belt components with the correct, new and unused replacement parts listed in the DaimlerChrysler Mopar Parts Catalog.

- (1) Move the front seat to its most forward position for easiest access to the B-pillar trim.

(2) Disconnect and isolate the battery negative cable. Wait two minutes for the system capacitor to discharge before further service.

(3) Remove the trim panel from the inside of the B-pillar. (Refer to 23 - BODY/INTERIOR/B-PILLAR TRIM - REMOVAL).

(4) Pull the height adjuster trim away from the upper B-pillar to disengage the driver from the lug of the height adjuster (Fig. 40).

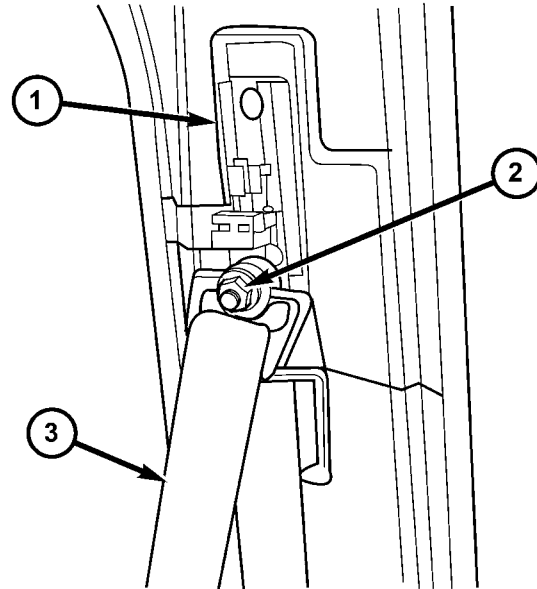


810ba319

Fig. 40 Turning Loop Height Adjuster

- 1 - HEIGHT ADJUSTER TRIM
- 2 - LUG
- 3 - HEIGHT ADJUSTER
- 4 - DRIVER

(5) Remove the nut that secures the front seat belt turning loop to the height adjuster (Fig. 41).



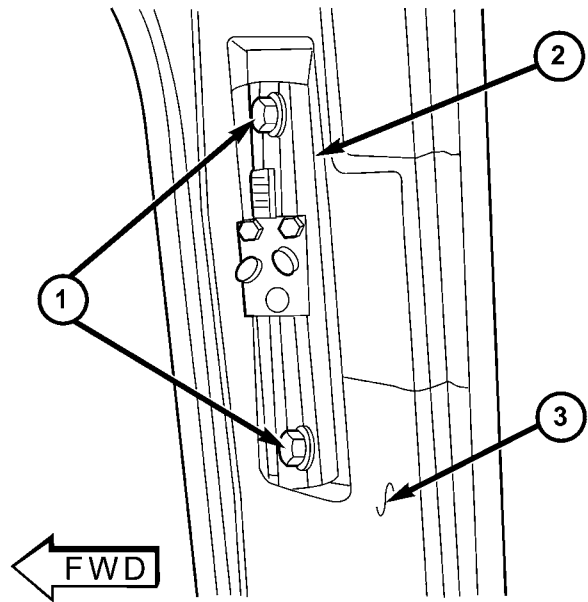
810ba343

Fig. 41 Front Seat Belt Turning Loop

- 1 - HEIGHT ADJUSTER
- 2 - NUT
- 3 - FRONT SEAT BELT

(6) Remove the front seat belt turning loop from the height adjuster.

(7) Remove the two screws that secure the seat belt turning loop height adjuster to the upper inner B-pillar (Fig. 42).



810bc8fa

Fig. 42 Seat Belt Turning Loop Adjuster Remove/Install

- 1 - SCREW (2)
- 2 - ADJUSTER
- 3 - B-PILLAR

(8) Remove the seat belt turning loop height adjuster from the inner B-pillar.

INSTALLATION

WARNING: To avoid personal injury or death, on vehicles equipped with airbags, disable the supplemental restraint system before attempting any steering wheel, steering column, airbag, seat belt tensioner, or instrument panel component diagnosis or service. Disconnect and isolate the battery negative (ground) cable, then wait two minutes for the system capacitor to discharge before performing further diagnosis or service. This is the only sure way to disable the supplemental restraint system. Failure to take the proper precautions could result in accidental airbag deployment.

WARNING: To avoid personal injury or death, during and following any seat belt service, carefully inspect all seat belts, buckles, mounting hardware, retractors, and anchors for proper installation, operation, or damage. Replace any belt that is cut, frayed, or torn. Straighten any belt that is twisted. Tighten any loose fasteners. Replace any belt that has a damaged or inoperative buckle or retractor. Replace any belt that has a bent or damaged latch plate or anchor plate. Never attempt to repair a seat belt component. Always replace damaged or faulty seat belt components with the correct, new and unused replacement parts listed in the DaimlerChrysler Mopar Parts Catalog.

- (1) Position the seat belt turning loop height adjuster onto the inner B-pillar (Fig. 42).
- (2) Install and tighten the two screws that secure the seat belt turning loop height adjuster to the upper inner B-pillar. Tighten the screws to 35 N·m (26 ft. lbs.).
- (3) Position the front seat belt turning loop onto the height adjuster on the upper B-pillar (Fig. 41).
- (4) Install and tighten the nut that secures the front seat belt turning loop to the height adjuster. Tighten the nut to 35 N·m (26 ft. lbs.).
- (5) Position the height adjuster trim to the upper B-pillar so that the driver on the back of the trim engages the lug of the height adjuster (Fig. 40).
- (6) Reinstall the trim panel onto the inside of the B-pillar. (Refer to 23 - BODY/INTERIOR/B-PILLAR TRIM - INSTALLATION).
- (7) Reconnect the battery negative cable.

SIDE CURTAIN AIRBAG

DESCRIPTION

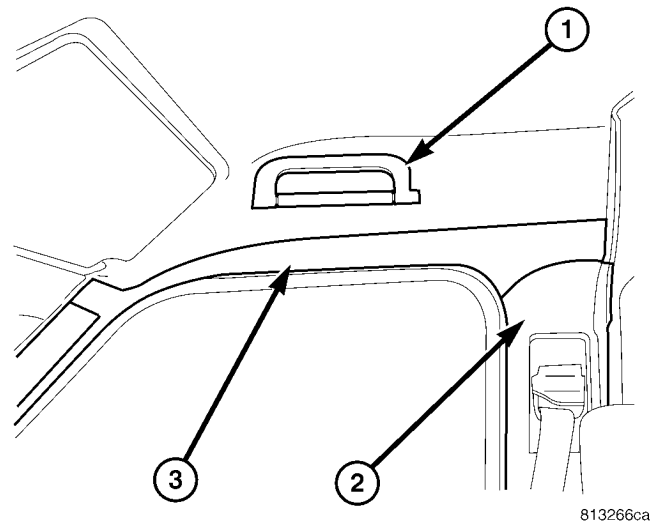


Fig. 43 Side Curtain Airbag

- 1 - GRAB HANDLE
- 2 - B-PILLAR TRIM
- 3 - SIDE CURTAIN AIRBAG

Optional side curtain airbags are available for this model when it is also equipped with dual front airbags. These airbags are passive, inflatable, Supplemental Restraint System (SRS) components (Fig. 43). This system is designed to reduce injuries to the vehicle occupants in the event of a side impact collision.

Vehicles equipped with side curtain airbags have two individually controlled curtain airbag units. These airbag units are concealed and mounted above the front door openings where they are each secured to one of the roof side rails. Each folded airbag cushion is contained within a channel in the molded plastic garnish molding that extends along the roof rail from the A-pillar at the front of the vehicle to just behind the B-pillar. A tether extends down the A-pillar from the front of the airbag cushion, where it is secured to the base of the pillar near the belt line with a screw.

The hybrid-type inflator for each airbag is connected to the airbag cushion by a tubular manifold. The inflator bracket and the airbag cushion channel are located with a stamped metal lug to a bore in the roof rail, then secured with screws at the A-pillar in the front and the B-pillar in the rear. A two-wire pigtail wire is routed from the airbag inflator down the B-pillar where it connects the unit to a take out of the vehicle body wire harness with a keyed and latched connector insulator.

The side curtain airbag unit cannot be adjusted or repaired and must be replaced if deployed, faulty, or

in any way damaged. Once a side curtain airbag has been deployed, the complete airbag unit and all other visibly damaged components must be replaced.

OPERATION

Each side curtain airbag is deployed individually by an electrical signal generated by the Airbag Control Module (ACM) to which it is connected through left or right curtain airbag line 1 and line 2 (or squib) circuits. The hybrid-type inflator assembly for each airbag contains a small canister of highly compressed inert gas. When the ACM sends the proper electrical signal to the airbag inflator, the electrical energy creates enough heat to ignite chemical pellets within the inflator. Once ignited, these chemicals burn rapidly and produce the pressure necessary to rupture a containment disk in the inert gas canister. The inflator and inert gas canister are sealed and connected to a tubular manifold so that all of the released gas is directed into the folded side curtain airbag cushion, causing the cushion to inflate.

As the airbag cushion inflates it will split the garnish molding at a predetermined breakout line and drop down from the roof rail along the side glass and body pillars to form a curtain-like cushion to protect the vehicle occupants during a side impact collision. The front tether keeps the front portion of the side curtain bag taut, thus ensuring that the bag will deploy in the proper position. Following the airbag deployment, the airbag cushion quickly deflates by venting the inert gas through the loose weave of the cushion fabric, and the deflated cushion hangs down loosely from the roof rail.

REMOVAL

The following procedure is for replacement of a faulty or damaged side curtain airbag. If the airbag is faulty or damaged, but not deployed, review the recommended procedures for handling non-deployed supplemental restraints. (Refer to 8 - ELECTRICAL/RESTRAINTS - STANDARD PROCEDURE - HANDLING NON-DEPLOYED SUPPLEMENTAL RESTRAINTS). If the side curtain airbag has been deployed, review the recommended procedures for service after a supplemental restraint deployment before removing the airbag from the vehicle. (Refer to 8 - ELECTRICAL/RESTRAINTS - STANDARD PROCEDURE - SERVICE AFTER A SUPPLEMENTAL RESTRAINT DEPLOYMENT).

WARNING: To avoid personal injury or death, on vehicles equipped with airbags, disable the supplemental restraint system before attempting any steering wheel, steering column, airbag, seat belt tensioner, impact sensor, or instrument panel component diagnosis or service. Disconnect and isolate the battery negative (ground) cable, then wait two minutes for the system capacitor to discharge

before performing further diagnosis or service. This is the only sure way to disable the supplemental restraint system. Failure to take the proper precautions could result in accidental airbag deployment.

WARNING: To avoid personal injury or death, when removing a deployed airbag, rubber gloves, eye protection, and a long-sleeved shirt should be worn. There may be deposits on the airbag unit and other interior surfaces. In large doses, these deposits may cause irritation to the skin and eyes.

WARNING: To avoid personal injury or death, use extreme care to prevent any foreign material from entering the side curtain airbag, or becoming entrapped between the side curtain airbag cushion and the roof rail garnish molding. Failure to observe this warning could result in occupant injuries upon airbag deployment.

(1) Disconnect and isolate the battery negative cable. Wait two minutes for the system capacitor to discharge before further service.

(2) Remove the pinch welt from the front door opening of the vehicle as needed to access the side curtain airbag (Fig. 44).

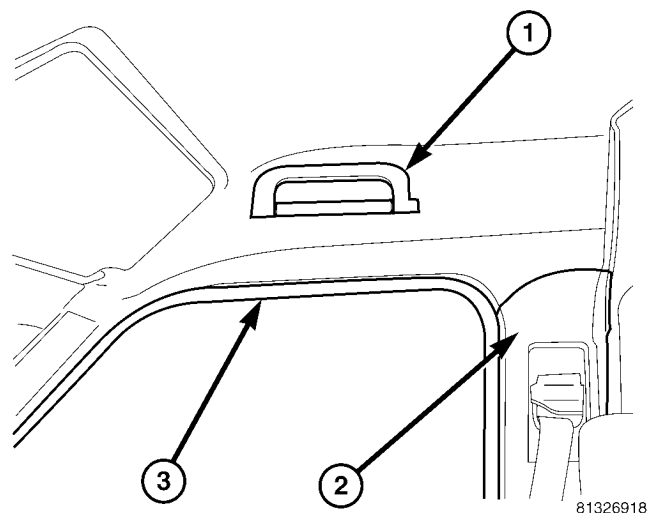


Fig. 44 Pinch Welt

- 1 - GRAB HANDLE
- 2 - B-PILLAR TRIM
- 3 - PINCH WELT

(3) Remove the trim from the inside of the B-pillar. (Refer to 23 - BODY/INTERIOR/B-PILLAR TRIM - REMOVAL).

(4) Remove the grab handle from the headliner. (Refer to 23 - BODY/INTERIOR/ASSIST HANDLE - REMOVAL).

(5) Carefully remove the trim from the A-pillar that conceals the side curtain airbag front tether (Fig. 45).

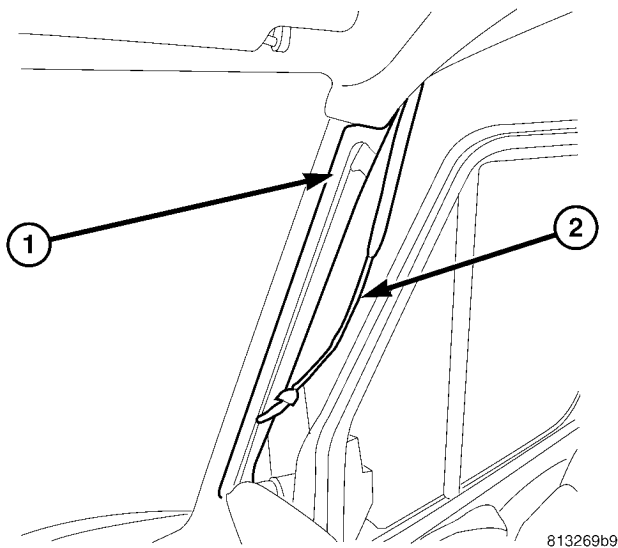


Fig. 45 A-Pillar Front Tether

- 1 - A-PILLAR
- 2 - FRONT TETHER

(6) Disconnect the pigtail wire connector for the side curtain airbag from the vehicle wire harness connector on the B-pillar (Fig. 46).

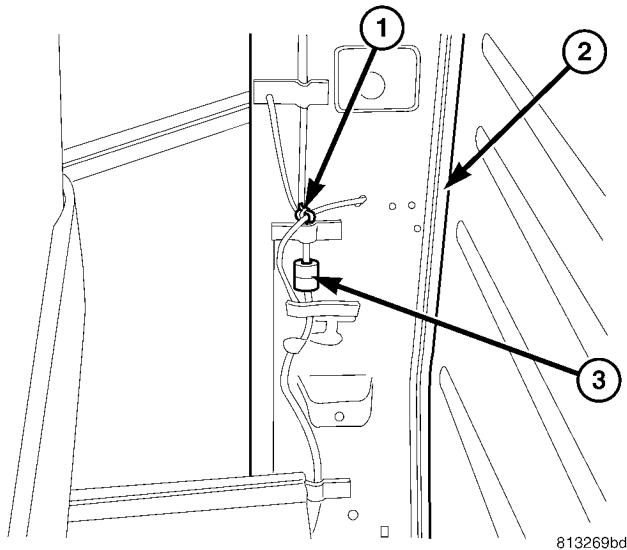


Fig. 46 Side Curtain Airbag Connector

- 1 - TIE WRAP
- 2 - B-PILLAR
- 3 - CONNECTOR

(7) Cut the tie wrap that secures the side curtain airbag pigtail wire to the inside of the B-pillar.

(8) Remove the screw that secures the side curtain airbag tether retainer to the base of the A-pillar near the belt line (Fig. 47).

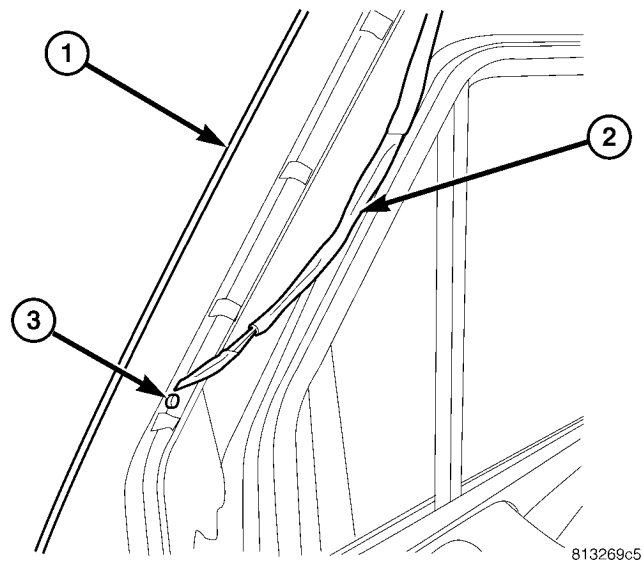


Fig. 47 Tether Anchor Screw

- 1 - A-PILLAR
- 2 - TETHER
- 3 - SCREW

(9) Remove the screw that secures the front of the side curtain airbag to the A-pillar (Fig. 48).

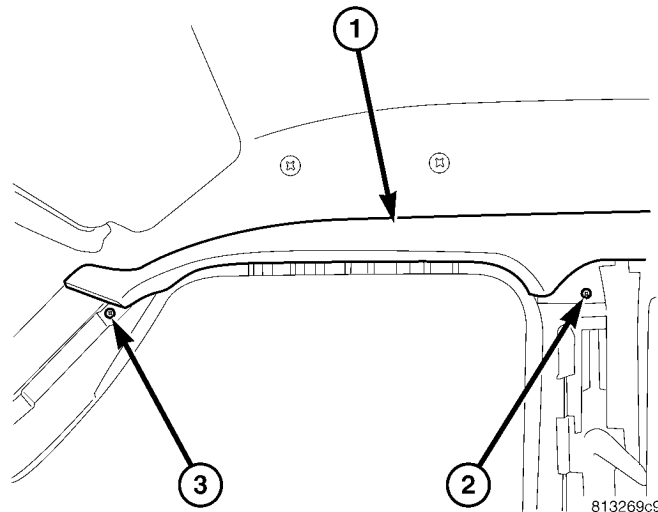


Fig. 48 Side Curtain Airbag Screws

- 1 - SIDE CURTAIN AIRBAG
- 2 - REAR SCREW
- 3 - FRONT SCREW

(10) Remove the screw that secures the rear of the side curtain airbag to the B-pillar.

(11) Disengage the lug that secures the side curtain airbag bracket from within the bore in the roof side rail and remove the unit from the vehicle (Fig. 49).

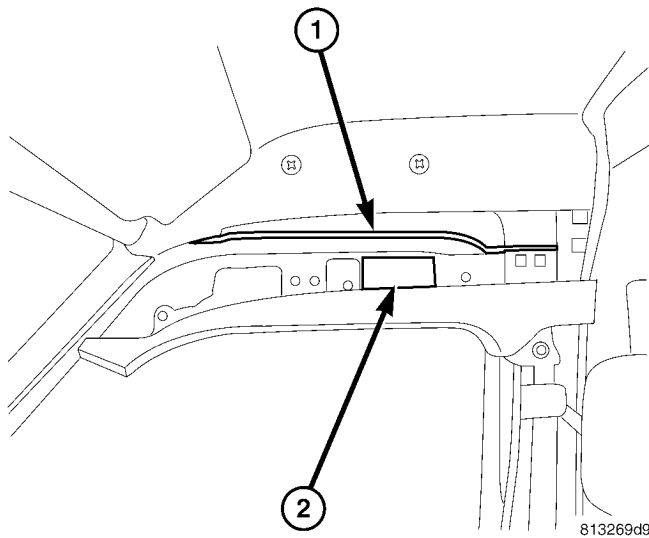


Fig. 49 Side Curtain Airbag Remove

- 1 - ROOF SIDE RAIL
2 - SIDE CURTAIN AIRBAG

INSTALLATION

The following procedure is for replacement of a faulty or damaged side curtain airbag. If the airbag is faulty or damaged, but not deployed, review the recommended procedures for handling non-deployed supplemental restraints. (Refer to 8 - ELECTRICAL/RESTRAINTS - STANDARD PROCEDURE - HANDLING NON-DEPLOYED SUPPLEMENTAL RESTRAINTS). If the side curtain airbag has been deployed, review the recommended procedures for service after a supplemental restraint deployment before removing the airbag from the vehicle. (Refer to 8 - ELECTRICAL/RESTRAINTS - STANDARD PROCEDURE - SERVICE AFTER A SUPPLEMENTAL RESTRAINT DEPLOYMENT).

WARNING: To avoid personal injury or death, on vehicles equipped with airbags, disable the supplemental restraint system before attempting any steering wheel, steering column, airbag, seat belt tensioner, impact sensor, or instrument panel component diagnosis or service. Disconnect and isolate the battery negative (ground) cable, then wait two minutes for the system capacitor to discharge before performing further diagnosis or service. This is the only sure way to disable the supplemental restraint system. Failure to take the proper precautions could result in accidental airbag deployment.

WARNING: To avoid personal injury or death, when removing a deployed airbag, rubber gloves, eye protection, and a long-sleeved shirt should be worn. There may be deposits on the airbag unit and other interior surfaces. In large doses, these deposits may cause irritation to the skin and eyes.

WARNING: To avoid personal injury or death, use extreme care to prevent any foreign material from entering the side curtain airbag, or becoming entrapped between the side curtain airbag cushion and the roof rail garnish molding. Failure to observe this warning could result in occupant injuries upon airbag deployment.

- (1) Position the side curtain airbag into the vehicle as a unit.
- (2) Engage the lug that secures the side curtain airbag bracket into the bore in the roof side rail (Fig. 50).

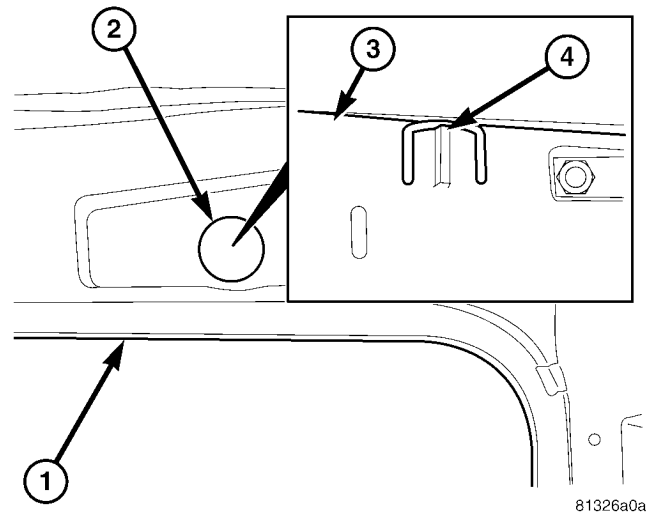


Fig. 50 Side Curtain Airbag Install

- 1 - ROOF SIDE RAIL
2 - BORE
3 - SIDE CURTAIN AIRBAG BRACKET
4 - LUG

(3) Install and tighten the screw that secures the rear of the side curtain airbag to the B-pillar (Fig. 48). Tighten the screw to 23 N·m (17 ft. lbs.).

(4) Install and tighten the screw that secures the front of the side curtain airbag to the A-pillar. Tighten the screw to 9 N·m (80 in. lbs.).

(5) Install and tighten the screw that secures the side curtain airbag front tether retainer to the base of the A-pillar near the belt line (Fig. 47). Tighten the screw to 5 N·m (44 in. lbs.).

(6) Install a new tie wrap to secure the side curtain airbag pigtail wire to the inside of the B-pillar (Fig. 46).

(7) Reconnect the pigtail wire connector for the side curtain airbag to the vehicle wire harness connector on the B-pillar. Be certain the connector is fully engaged and latched.

(8) Reinstall the trim onto the A-pillar that conceals the side curtain airbag front tether (Fig. 45).

(9) Reinstall the grab handle onto the headliner. (Refer to 23 - BODY/INTERIOR/ASSIST HANDLE - INSTALLATION).

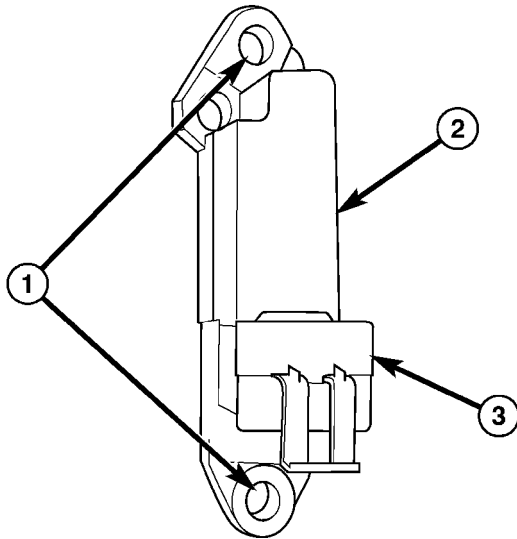
(10) Reinstall the trim onto the inside of the B-pillar. (Refer to 23 - BODY/INTERIOR/B-PILLAR TRIM - INSTALLATION).

(11) Reinstall the pinch welt to the front door opening (Fig. 44).

(12) Do not reconnect the battery negative cable at this time. The supplemental restraint system verification test procedure should be performed following service of any supplemental restraint system component. (Refer to 8 - ELECTRICAL/RESTRAINTS - STANDARD PROCEDURE - VERIFICATION TEST).

SIDE IMPACT SENSOR

DESCRIPTION



813284f7

Fig. 51 Side Impact Sensor

- 1 - MOUNTING FLANGE (2)
- 2 - IMPACT SENSOR
- 3 - CONNECTOR RECEPTACLE

On vehicles equipped with the optional side curtain airbags, two side impact sensors are used, one each for the left and right sides of the vehicle (Fig. 51). These sensors are mounted remotely from the bi-directional safing sensor that is internal to the Airbag Control Module (ACM). The side impact sensors are each secured with two screws to the forward vertical surface of the right and left front door step wells and concealed behind the step well trim paneling within the passenger compartment.

The impact sensor housing has an integral connector receptacle and two integral mounting flanges, one at the top and one at the bottom. An arrow on the sensor housing provides a visual verification of the proper orientation of the unit, and should always be

pointed toward the outboard side of the vehicle. A cavity in the center of the molded plastic impact sensor housing contains the electronic circuitry of the sensor, which includes an electronic communication chip and an electronic impact sensor. Potting material fills the cavity to seal and protect the internal electronic circuitry and components. The side impact sensors are each connected to the vehicle electrical system through a dedicated take out and connector of the vehicle wire harness.

The side impact sensors cannot be repaired or adjusted and, if damaged or faulty, they must be replaced.

OPERATION

The side impact sensors are electronic accelerometers that sense the rate of vehicle deceleration, which provides verification of the direction and severity of an impact. Each sensor also contains an electronic communication chip that allows the unit to communicate the sensor status as well as sensor fault information to the microprocessor in the Airbag Control Module (ACM). The ACM microprocessor continuously monitors all of the passive restraint system electrical circuits to determine the system readiness. If the ACM detects a monitored system fault, it sets a Diagnostic Trouble Code (DTC) and controls the airbag indicator operation accordingly.

The impact sensors each receive battery current and ground through dedicated left and right sensor plus and minus circuits from the ACM. The impact sensors and the ACM communicate by modulating the voltage in the sensor plus circuit. The hard wired circuits between the side impact sensors and the ACM may be diagnosed and tested using conventional diagnostic tools and procedures. However, conventional diagnostic methods will not prove conclusive in the diagnosis of the ACM or the impact sensors. The most reliable, efficient, and accurate means to diagnose the impact sensors, the ACM, and the electronic message communication between the sensors and the ACM requires the use of a diagnostic scan tool. Refer to the appropriate diagnostic information.

REMOVAL

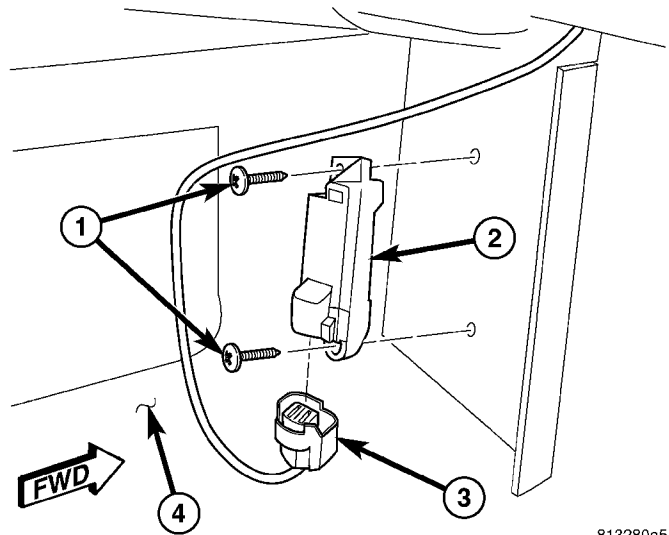
WARNING: To avoid personal injury or death, on vehicles equipped with airbags, disable the supplemental restraint system before attempting any steering wheel, steering column, airbag, seat belt tensioner, impact sensor, or instrument panel component diagnosis or service. Disconnect and isolate the battery negative (ground) cable, then wait two minutes for the system capacitor to discharge before performing further diagnosis or service. This is the only sure way to disable the supplemental restraint system. Failure to take the proper precautions could result in accidental airbag deployment.

WARNING: To avoid personal injury or death, never strike or drop the side impact sensor, as it can damage the impact sensor or affect its calibration. The side impact sensor enables the system to deploy the side curtain airbags. If an impact sensor is accidentally dropped during service, the sensor must be scrapped and replaced with a new unit. Failure to observe this warning could result in accidental, incomplete, or improper supplemental restraint deployment.

(1) Disconnect and isolate the battery negative cable. Wait two minutes for the system capacitor to discharge before further service.

(2) Remove the trim paneling from the interior of the front door step well. (Refer to 23 - BODY/INTERIOR/STEPWELL SCUFF PADS - REMOVAL).

(3) Disconnect the vehicle wire harness connector from the side impact sensor connector receptacle (Fig. 52).



813280a5

Fig. 52 Side Impact Sensor Remove/Install

- 1 - SCREW (2)
- 2 - IMPACT SENSOR
- 3 - CONNECTOR
- 4 - STEP WELL

(4) Remove the two screws that secure the side impact sensor to the forward vertical surface of the step well.

(5) Remove the side impact sensor from the step well.

INSTALLATION

WARNING: To avoid personal injury or death, on vehicles equipped with airbags, disable the supplemental restraint system before attempting any steering wheel, steering column, airbag, seat belt tensioner, impact sensor, or instrument panel component diagnosis or service. Disconnect and isolate the battery negative (ground) cable, then wait two minutes for the system capacitor to discharge before performing further diagnosis or service. This is the only sure way to disable the supplemental restraint system. Failure to take the proper precautions could result in accidental airbag deployment.

WARNING: To avoid personal injury or death, never strike or drop the side impact sensor, as it can damage the impact sensor or affect its calibration. The side impact sensor enables the system to deploy the side curtain airbags. If an impact sensor is accidentally dropped during service, the sensor must be scrapped and replaced with a new unit. Failure to observe this warning could result in accidental, incomplete, or improper supplemental restraint deployment.

(1) Position the side impact sensor to the forward vertical surface of the step well (Fig. 52). Be certain

that the arrow on the sensor housing is pointed toward the outboard side of the vehicle.

(2) Install and tighten the two screws that secure the side impact sensor to the step well.

(3) Reconnect the vehicle wire harness connector for the side impact sensor to the sensor connector receptacle.

(4) Reinstall the trim paneling to the interior of the front door step well. (Refer to 23 - BODY/INTERIOR/STEPWELL SCUFF PADS - INSTALLATION).

(5) Do not reconnect the battery negative cable at this time. The supplemental restraint system verification test procedure should be performed following service of any supplemental restraint system component. (Refer to 8 - ELECTRICAL/RESTRAINTS - STANDARD PROCEDURE - VERIFICATION TEST).

SPEED CONTROL

TABLE OF CONTENTS

	page		page
SPEED CONTROL		SERVO	
DESCRIPTION	1	DESCRIPTION	2
OPERATION	2	SWITCH	
SPECIFICATIONS		REMOVAL	3
TORQUE	2	INSTALLATION	3
CABLE			
DESCRIPTION	2		

SPEED CONTROL

DESCRIPTION

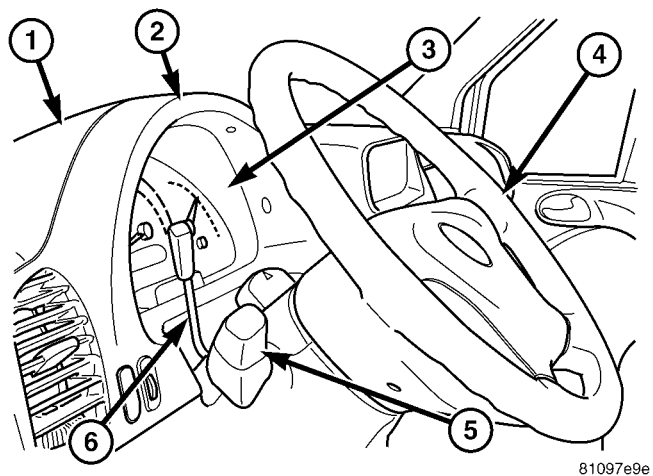
The speed control system is electronically controlled by the Engine Control Module (ECM). **A cable and a vacuum controlled servo are not used. This is a servo-less system.** Control of the system is accomplished by a 4-position, instrument panel mounted switch (Fig. 1).

Switch settings (Fig. 2) are:

- 1. Set / Accelerate
- 2. Resume Set Speed
- 3. Set / Decelerate
- 4. Off

The system is designed to operate at speeds above 25 mph (40 km/h).

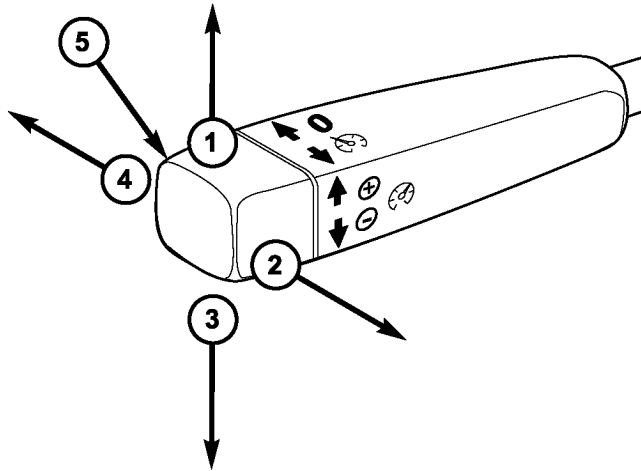
WARNING: THE USE OF SPEED CONTROL IS NOT RECOMMENDED WHEN DRIVING CONDITIONS DO NOT PERMIT MAINTAINING A CONSTANT SPEED, SUCH AS IN HEAVY TRAFFIC OR ON ROADS THAT ARE WINDING, ICY, SNOW COVERED, OR SLIPPERY.



81097e9e

Fig. 1 INSTRUMENT CLUSTER

- 1 - COVER
- 2 - BEZEL
- 3 - INSTRUMENT CLUSTER
- 4 - STEERING WHEEL
- 5 - MULTI-FUNCTION SWITCH
- 6 - SPEED CONTROL SWITCH



810f4baf

Fig. 2 SPEED CONTROL SWITCH FUNCTIONS

- 1 - SET / ACCELERATE
- 2 - RESUME SET SPEED
- 3 - SET / DECELERATE
- 4 - OFF
- 5 - SWITCH HANDLE

OPERATION

When speed control operation is selected by the speed control switch, the ECM (Engine Control Module) allows a set speed to be stored in its RAM for speed control. To store a set speed, press either of the SET switch functions while the vehicle is moving, and above 25 mph (40 km/h). In order for the speed control to engage, the brakes cannot be applied, nor can the gear selector be indicating the transmission is in Park or Neutral.

The speed control can be disengaged manually by:

- Stepping on the brake pedal

SPECIFICATIONS

TORQUE

DESCRIPTION	N-m	Ft. Lbs.	In. Lbs.
Switch Mounting Screw	.9-1.1	-	8-10

CABLE

DESCRIPTION

A cable and a vacuum controlled servo are not used with this package. This is a cable-less, servo-less system. The speed control system is electronically controlled by the Engine Control Module (ECM).

- Pressing the speed control switch to OFF
- Depressing the clutch pedal (if equipped).

NOTE: Depressing the OFF switch or turning off the ignition switch will erase the set speed stored in the ECM.

For added safety, the speed control system is programmed to disengage for any of the following conditions:

- An indication of Park or Neutral
- A rapid increase rpm (indicates that the clutch has been disengaged)
- Excessive engine rpm (indicates that the transmission may be in a low gear)
- The speed signal increases at a rate of 10 mph per second (indicates that the coefficient of friction between the road surface and tires is extremely low)
- The speed signal decreases at a rate of 10 mph per second (indicates that the vehicle may have decelerated at an extremely high rate)

Once the speed control has been disengaged, depressing the RES/ACCEL switch (when speed is greater than 30 mph) restores the vehicle to the target speed that was stored in the ECM.

While the speed control is engaged, the driver can increase the vehicle speed by depressing the RES/ACCEL switch. The new target speed is stored in the ECM when the RES/ACCEL is released. The PCM also has a “tap-up” feature in which vehicle speed increases at a rate of approximately 2 mph for each momentary switch activation of the RES/ACCEL switch.

A “tap down” feature is used to decelerate without disengaging the speed control system. To decelerate from an existing recorded target speed, momentarily depress the COAST switch. For each switch activation, speed will be lowered approximately 1 mph.

SERVO

DESCRIPTION

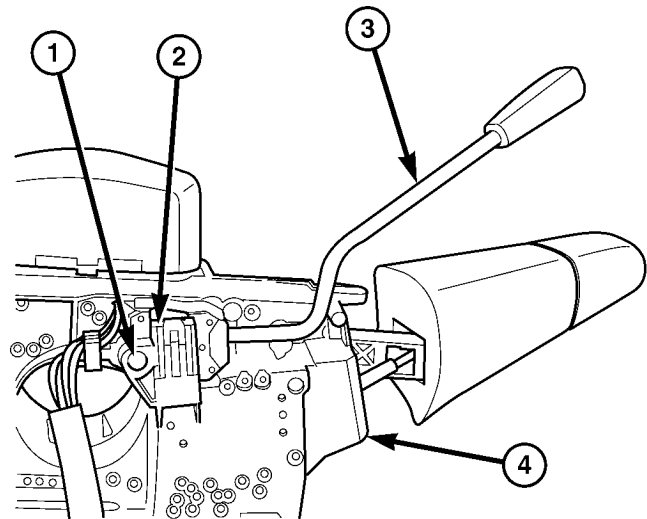
A vacuum controlled servo and control cable are not used with this package. This is a cable-less, servo-less system. The speed control system is electronically controlled by the Engine Control Module (ECM).

SWITCH

REMOVAL

The speed control switch is mounted to the back of the multi-function switch (Fig. 3). The multi-function switch must be removed first to gain access to the speed control switch mounting screw.

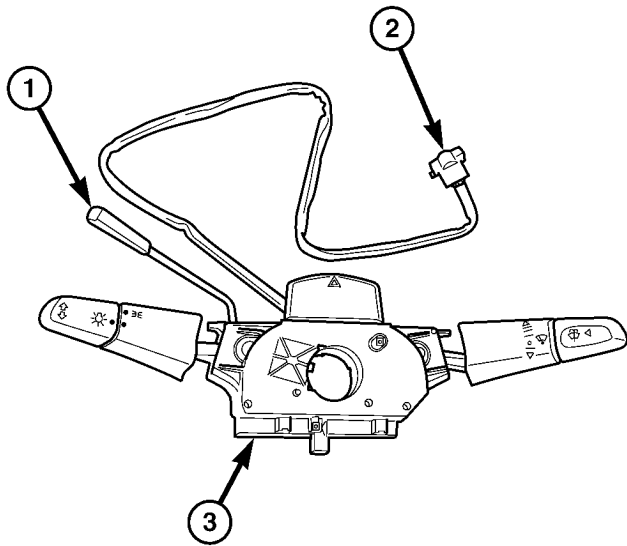
- (1) Remove and isolate negative battery cable from battery.
- (2) Remove multi-function switch. Refer to Multi-Function Switch Removal/Installation.
- (3) Remove switch mounting screw (Fig. 4).
- (4) Remove speed control switch from multi-function switch.
- (5) Unplug pigtail electrical connector (Fig. 3) from instrument panel wiring harness.



810f824d

Fig. 4 SPEED CONTROL SWITCH REMOVAL / INSTALLATION

- 1 - SWITCH MOUNTING SCREW (1)
- 2 - SPEED CONTROL SWITCH
- 3 - SWITCH HANDLE
- 4 - MULTI-FUNCTION SWITCH



810f8226

Fig. 3 SPEED CONTROL SWITCH LOCATION

- 1 - SWITCH HANDLE
- 2 - PIGTAIL ELECTRICAL CONNECTOR
- 3 - MULTI-FUNCTION SWITCH

INSTALLATION

The speed control switch is mounted to the back of the multi-function switch (Fig. 3).

- (1) Position speed control switch to back of multi-function switch.
- (2) Install switch mounting screw (Fig. 4). Refer to Torque Specifications.
Install multi-function switch. Refer to Multi-Function Switch Removal/Installation.
- (3) Plug pigtail electrical connector (Fig. 3) into instrument panel wiring harness. Be sure wires are not pinched.
- (4) Install negative battery cable to battery.

VEHICLE THEFT SECURITY

TABLE OF CONTENTS

	page		page
VEHICLE THEFT SECURITY		SENTRY KEY REMOTE ENTRY MODULE	
DESCRIPTION	1	DESCRIPTION	2
OPERATION	1	OPERATION	3
DIAGNOSIS AND TESTING - VEHICLE THEFT SECURITY	1	REMOVAL	3
INTRUSION SENSOR		INSTALLATION	4
REMOVAL	1	SIREN	
INSTALLATION	2	REMOVAL	4
SECURITY SYSTEM MODULE		INSTALLATION	4
REMOVAL	2	TRANSPONDER KEY	
INSTALLATION	2	DESCRIPTION	5
		OPERATION	5

VEHICLE THEFT SECURITY

DESCRIPTION

A vehicle theft alarm with a battery powered siren is available as an option and includes interior monitoring, anti-tow away protection and rear window monitoring based on the heater wires. The alarm is automatically activated when the central locking system is operated.

The alarm will sound when any of the following occur:

- A door is opened
- A door is unlocked from inside the vehicle
- The hood is opened
- The vehicle is raised at the front or rear
- The trailer wire harness is disconnected
- Movements inside the vehicle
- The central locking is unlocked by a key at any other door than the driver's door

The alarm is functional about 30 seconds after the vehicle is locked using the RKE transmitter or the key in the driver's door. Activation is indicated by the indicator lights flashing three times and the warning lamp flashing in the switch. If persons or animals remain in the locked vehicle, the operator should switch off the interior monitor to avoid a false alarm.

OPERATION

The anti-theft alarm is activated/deactivated by locking/unlocking the vehicle with the remote transmitter or with the key at the driver's door. The key must be held in the locking position for more than two seconds. Activation is indicated by the turn signal lights flashing once. Unlocking the vehicle at one of the other doors will trigger an alarm.

The interior monitoring system included in the anti-theft alarm is based on ultrasonics and triggers

an alarm if an object intrudes the interior of the vehicle or if any movement is detected inside the vehicle. For proper and effective protection, all windows and the sunroof must be closed.

To switch off the interior monitoring system and / or the anti-tow away protection, a switch with LED indicator light is provided in the switch panel. An alarm button enables the operator to trigger an alarm manually and to lock all doors if they are closed. Triggering an alarm makes the horn sound and the turn signals flash until the alarm is switched off.

The anti-theft alarm control unit includes a gradient indicator as anti-tow away protection. The gradient indicator triggers an audible and visual alarm if the vehicle is lifted (to tow away or to remove the wheels). The alarm remains effective even if the battery is disconnected as the horn is powered by its own battery. The interior monitoring system should be switched off if people and/or animals are left in the vehicle.

DIAGNOSIS AND TESTING - VEHICLE THEFT SECURITY

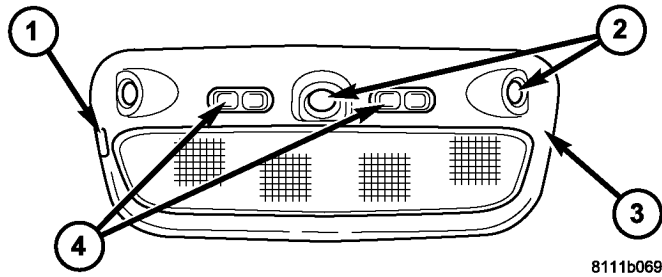
Any diagnosis of the Vehicle Theft Security system should begin with the use of a diagnostic scan tool. Refer to the appropriate diagnostic information.

INTRUSION SENSOR

REMOVAL

- (1) Disconnect and isolate the battery negative cable.
- (2) Insert the tip of a small flat-bladed screwdriver into the notch on one edge of the dome lamp/intrusion sensor unit housing to depress the retainer clip

and pull that edge of the lamp away from its mounting location (Fig. 1).



8111b069

Fig. 1 DOME LAMP/INTRUSION SENSOR

- 1 - NOTCH
- 2 - SENSOR (3)
- 3 - HOUSING
- 4 - SWITCH (2)

(3) Pull the dome lamp/intrusion sensor unit from its mounting location far enough to access and disconnect the vehicle wire harness from the lamp connector receptacle.

(4) Remove the dome lamp/intrusion sensor unit from its mounting location.

INSTALLATION

(1) Position the dome lamp/intrusion sensor unit to its mounting location.

(2) Reconnect the vehicle wire harness connector to the dome lamp/intrusion sensor unit connector receptacle.

(3) Position the edge of the dome lamp/intrusion sensor unit housing opposite from the retainer clip into the mounting hole.

(4) Push firmly and evenly on the notched edge of the dome lamp/intrusion sensor unit housing until the retainer clip latches into place.

(5) Connect the battery negative cable.

SECURITY SYSTEM MODULE

REMOVAL

(1) Disconnect and isolate the battery negative cable.

(2) Remove driver seat cushion.

(3) Remove mounting fasteners.

(4) Disconnect wire harness connector.

INSTALLATION

(1) Connect wire harness connector.

(2) Position module. Install and tighten mounting fasteners.

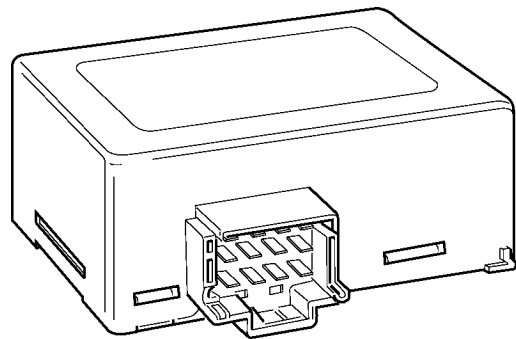
(3) Install driver seat cushion.

(4) Connect battery negative cable.

SENTRY KEY REMOTE ENTRY MODULE

DESCRIPTION

The Sentry Key Remote Entry Module (SKREEM) (Fig. 2) performs the functions of the Sentry Key Immobilizer Module (SKIM) and the Remote Keyless Entry (RKE) module.



8112d42f

Fig. 2 SENTRY KEY REMOTE ENTRY MODULE (SKREEM)

SENTRY KEY IMMOBILIZER

The Sentry Key Immobilizer System (SKIS) authenticates an electronically coded Transponder Key placed into the ignition and sends a valid/invalid key message to the Engine Control Module (ECM) based upon the results. The "VALID/INVALID KEY" message communication is performed using a rolling code algorithm. A "VALID KEY" message must be sent to the ECM within two seconds of ignition ON to free the engine from immobilization. This Controller Area Network (CAN) data bus message is sent to the ECM after first going through the SKREEM. The SKREEM is located behind the instrument cluster and has a separately mounted antenna ring mounted around the ignition cylinder (Fig. 3) which picks up the transponder key signal.

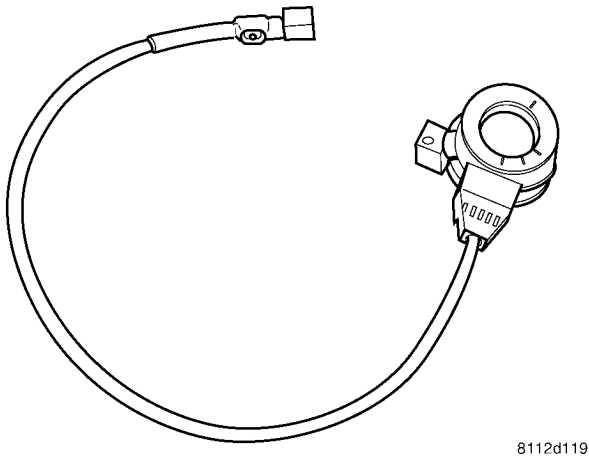


Fig. 3 TRANSPONDER RING

REMOTE KEYLESS ENTRY (RKE)

The RKE transmitter uses radio frequency signals to communicate with the Sentry Key Remote Entry Module (SKREEM). The SKREEM is hardwired to the Central Timer Module (CTM). When the operator presses a button on the transmitter, it sends a specific request to the SKREEM. In turn, the SKREEM sends the appropriate request to the CTM to unlock the vehicle doors.

OPERATION

SENTRY KEY IMMOBILIZER

The Sentry Key Remote Entry Module (SKREEM) receives an encrypted Radio Frequency (RF) signal from the transponder key which is read by the remotely mounted antenna ring at the ignition cylinder. The SKREEM then decrypts the signal and broadcasts the requested remote commands to the appropriate modules in the vehicle over the Controller Area Network (CAN) data bus. A valid transponder key ID must be incorporated into the RF signal in order for the SKREEM to pass the message on to the appropriate modules.

Automatic transponder key synchronization is done by the SKREEM if a valid transponder key is inserted into the ignition cylinder, and the ignition is turned ON. This provides a maximum operation window for RKE functions.

Each Sentry Key Remote Entry System (SKREES) consists of a SKREEM, an antenna ring mounted around the ignition cylinder, and a transponder key. Each system has a secret key code unique to that system. The secret key is electronically coded in the SKREEM and in all programmed transponder keys. It is used for immobilization and RKE functions for data security. In addition, each transponder key will have a unique identification.

REMOTE KEYLESS ENTRY

After pressing the lock button on the RKE transmitter, all of the door locks will lock, the illuminated entry will turn off (providing all doors are closed), and the VTSS (if equipped) will arm. After pressing the unlock button, on the RKE transmitter, one time, the driver door lock will unlock, the illuminated entry will turn on the courtesy lamps, and the VTSS (if equipped) will disarm. After pressing the unlock button a second time, the remaining door locks will unlock.

The SKREEM is capable of retaining up to 8 individual access codes (8 transmitters). If the PRNDL is in any position except park, the SKREEM will disable the RKE. Use a diagnostic scan tool or the customer programming method to program the RKE system. However, the SKREEM will only allow RKE programming when the ignition is in the ON position, the PRNDL is in park position, and the VTSS (if equipped) is disarmed.

REMOVAL

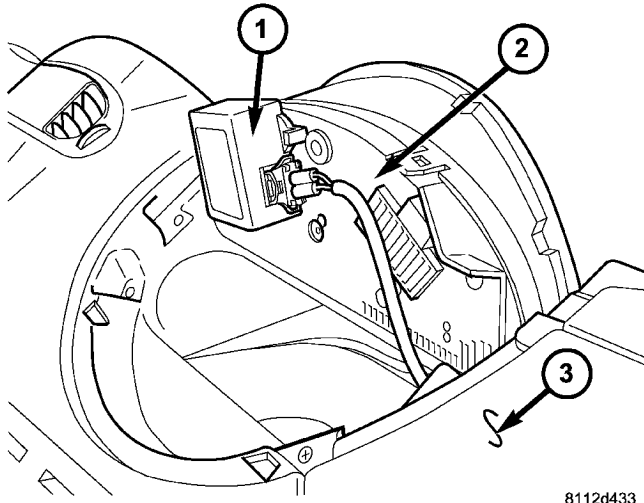
SENTRY KEY REMOTE ENTRY MODULE

(1) Open hood, disconnect and isolate the battery negative cable.

(2) Wait two minutes for the system reserve capacitor to discharge before beginning any system or component service.

(3) Remove top cover - cluster (Refer to 23 - BODY/INSTRUMENT PANEL/TOP COVER - CLUSTER - REMOVAL).

(4) Disconnect the one electrical connector to the SKREEM (Fig. 4) which is the transponder ring connector.



8112d433

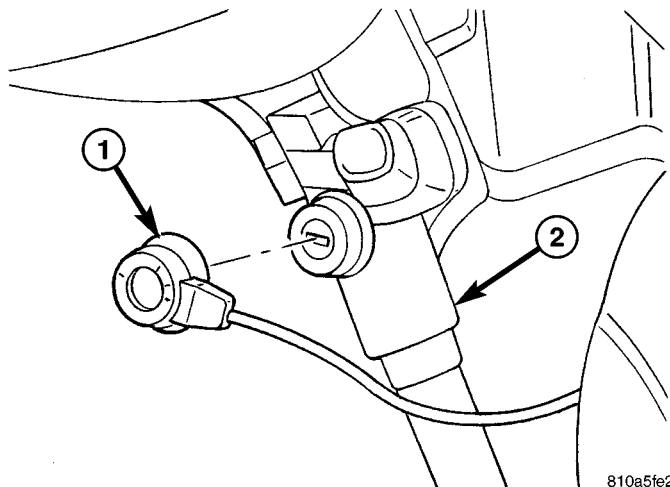
Fig. 4 SENTRY KEY REMOTE ENTRY MODULE (SKREEM) - REMOVE/INSTALL

- 1 - SENTRY KEY REMOTE ENTRY MODULE (SKREEM)
- 2 - INSTRUMENT CLUSTER (REAR)
- 3 - INSTRUMENT PANEL

(5) Pull SKREEM straight out of rear of instrument cluster (Fig. 4) and remove from vehicle.

SENTRY KEY REMOTE ENTRY MODULE TRANSPONDER RING

- (1) Open hood, disconnect and isolate the battery negative cable.
- (2) Wait two minutes for the system reserve capacitor to discharge before beginning any system or component service.
- (3) Remove the steering column shrouds.
- (4) Unsnap the SKREEM transponder from the ignition cylinder (Fig. 5).



810a5fe2

Fig. 5 TRANSPONDER RING

- 1 - TRANSPONDER RING
- 2 - STEERING COLUMN

(5) Remove top cover - cluster (Refer to 23 - BODY/INSTRUMENT PANEL/TOP COVER - CLUSTER - REMOVAL).

(6) Disconnect the transponder electrical connector from the SKREEM (Fig. 4).

(7) Maneuver wiring from instrument panel and remove transponder from vehicle.

INSTALLATION

SENTRY KEY REMOTE ENTRY MODULE

- (1) Push SKREEM straight into the rear of instrument cluster (Fig. 4).
- (2) Connect the one electrical connector to the SKREEM (Fig. 4).
- (3) Install the top cover - cluster (Refer to 23 - BODY/INSTRUMENT PANEL/TOP COVER - CLUSTER - INSTALLATION)
- (4) Connect the battery negative cable.
- (5) Verify vehicle and system operation.
- (6) Close hood.

SENTRY KEY REMOTE ENTRY MODULE TRANSPONDER RING

- (1) Maneuver wiring through instrument panel (Fig. 5).
- (2) Connect the transponder electrical connector to the SKREEM (Fig. 4).
- (3) Install the top cover - cluster (Refer to 23 - BODY/INSTRUMENT PANEL/TOP COVER - CLUSTER - INSTALLATION)
- (4) Snap the SKREEM transponder in place around the ignition cylinder (Fig. 5).
- (5) Install the steering column shrouds.
- (6) Connect the battery negative cable.
- (7) Verify vehicle and system operation.
- (8) Close hood.

SIREN

REMOVAL

- (1) Disconnect and isolate the battery negative cable.
- (2) Remove mounting fasteners.
- (3) Disconnect wire harness connector from siren.

INSTALLATION

- (1) Connect wire harness connector to siren.
- (2) Position siren. Install and tighten mounting fasteners.
- (3) Connect battery negative cable.

TRANSPONDER KEY

DESCRIPTION

The Sentry Key Immobilizer System (SKIS) which communicates with the Sentry Key Remote Entry Module (SKREEM), uses a transponder chip that is integral to each key fob (Fig. 6). Ignition keys are supplied with the vehicle when it is shipped from the factory. The transponder chip is located within the Remote Keyless Entry (RKE) fob.

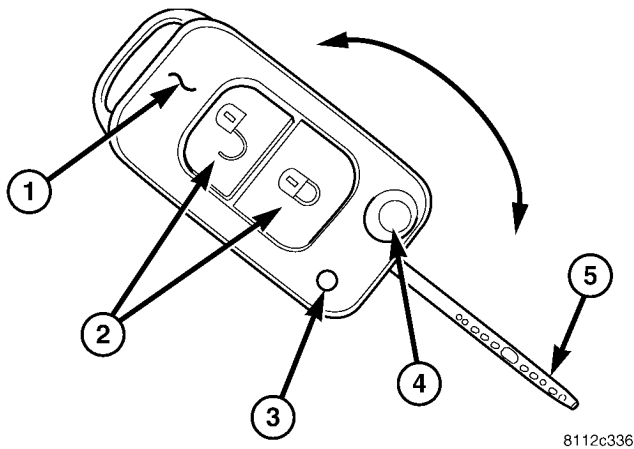


Fig. 6 TRANSPONDER KEY

- 1 - TRANSPONDER KEY FOB
- 2 - RKE BUTTONS
- 3 - INDICATOR LIGHT
- 4 - KEY BLADE RELEASE BUTTON
- 5 - KEY BLADE

OPERATION

Each Sentry Key has a unique transponder identification code permanently programmed into it by the manufacturer. Likewise, the Sentry Key Remote Entry Module (SKREEM) has a unique "Secret Key" code programmed into it by the manufacturer as well. When a Sentry Key is programmed into the memory of the SKREEM, the SKREEM stores the transponder identification code from the Sentry Key, and the Sentry Key learns the "Secret Key" code from the SKREEM. Once the Sentry Key learns the "Secret Key" code of the SKREEM, it is also permanently programmed into the transponder's memory.

The Sentry Key's transponder is within the range of the SKREEM's transponder ring when it is inserted into the ignition lock cylinder. When the ignition switch is turned to the ON position, the SKREEM communicates with the Sentry Key via a radio frequency (RF) signal. The SKREEM determines if a valid key is present based on the information it receives from the Sentry Key. If a valid key is detected, that fact is communicated to the Engine Control Module (ECM) via the Controller Area Network (CAN) data bus and the vehicle is allowed to continue running. If an invalid key is received by the

ECM or no status at all is communicated, the vehicle will stall after two (2) seconds of running. The indicator light will be flashing at this point. The Sentry Key's transponder can not be repaired. If it is faulty or damaged, it must be replaced.

Common communication problems:

- Two transponder keys too close together.
 - Speed Pass too close to transponder key.
- Solid indicator that there is a system failure.
- Loss of ECM communication.
 - Failed transponder ring circuit.

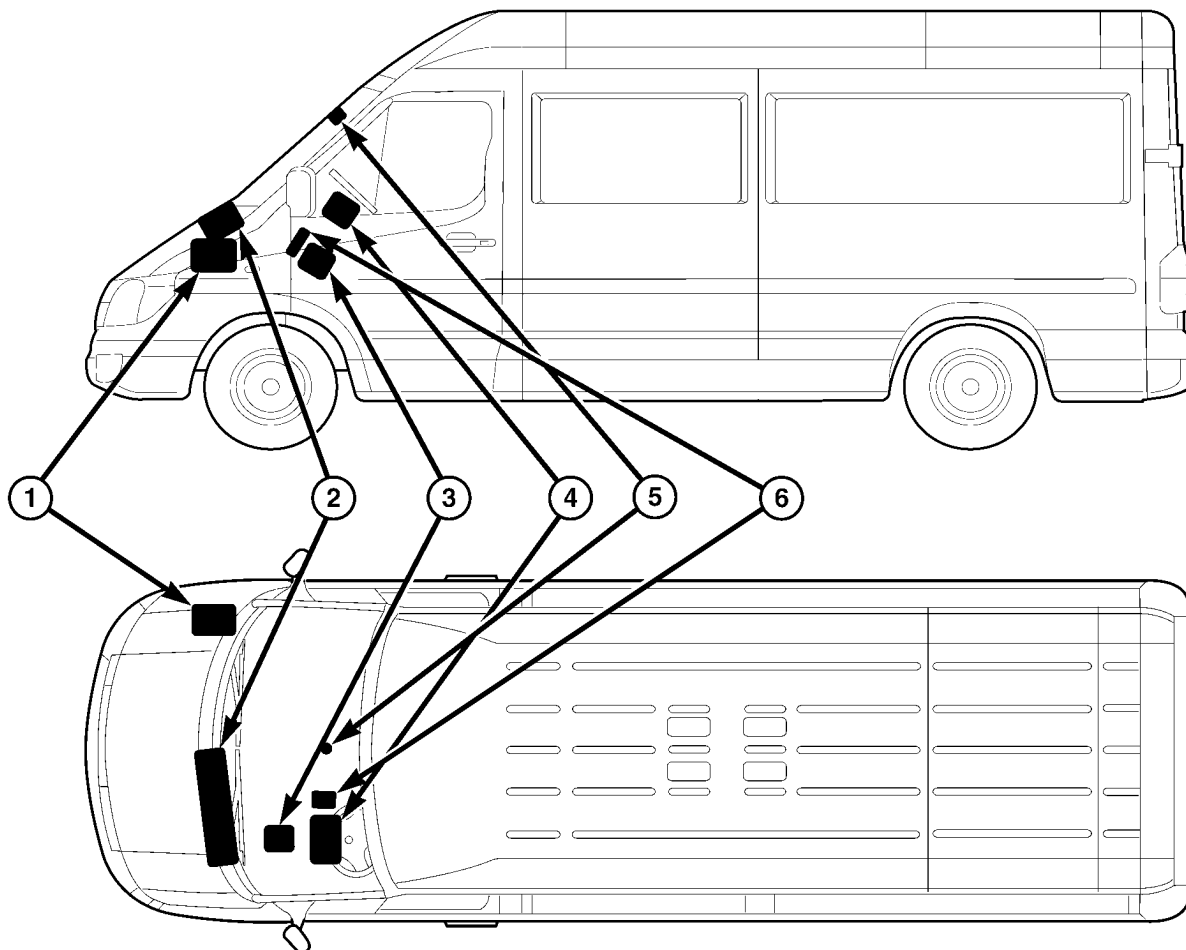
WIPERS / WASHERS

TABLE OF CONTENTS

	page		page
WIPERS/WASHERS		WASHER PUMP/MOTOR	
DESCRIPTION	2	DESCRIPTION	19
OPERATION	3	OPERATION	20
DIAGNOSIS AND TESTING - WIPER & WASHER SYSTEM	6	REMOVAL	20
CLEANING - WIPER & WASHER SYSTEM	9	INSTALLATION	20
INSPECTION - WIPER & WASHER SYSTEM ..	10	WASHER RESERVOIR	
CHECK VALVE		DESCRIPTION	21
DESCRIPTION	11	OPERATION	21
OPERATION	11	REMOVAL	21
REMOVAL	11	INSTALLATION	22
INSTALLATION	11	WIPER ARM	
RAIN SENSOR		DESCRIPTION	23
DESCRIPTION	12	OPERATION	24
OPERATION	12	REMOVAL	24
STANDARD PROCEDURE		INSTALLATION	24
RAIN SENSOR BRACKET REPLACEMENT ..	12	WIPER BLADE	
REMOVAL	14	DESCRIPTION	26
INSTALLATION	14	OPERATION	26
RAIN SENSOR CONTROL MODULE		REMOVAL	26
DESCRIPTION	15	INSTALLATION	27
OPERATION	15	WIPER LINKAGE	
REMOVAL	15	DESCRIPTION	28
INSTALLATION	16	OPERATION	28
WASHER FLUID LEVEL SWITCH		REMOVAL	28
DESCRIPTION	16	INSTALLATION	31
OPERATION	16	WIPER MOTOR	
WASHER HOSES/TUBES		DESCRIPTION	31
DESCRIPTION	18	OPERATION	32
OPERATION	18	REMOVAL	32
WASHER NOZZLE		INSTALLATION	33
DESCRIPTION	18	WIPER RELAY	
OPERATION	19	DESCRIPTION	34
REMOVAL	19	OPERATION	34
INSTALLATION	19	REMOVAL	35
		INSTALLATION	35

WIPERS/WASHERS

DESCRIPTION



812cf516

Fig. 1 Wiper & Washer System

1 - WASHER RESERVOIR, PUMP/MOTOR, FLUID LEVEL SWITCH
 2 - WIPER MOTOR, LINKAGE & PIVOTS MODULE
 3 - WIPER RELAY

4 - MULTI-FUNCTION (WIPER, WASHER, & LIGHTING) SWITCH
 5 - RAIN SENSOR (W/AUTOMATIC WIPERS ONLY)
 6 - RAIN SENSOR CONTROL MODULE (W/AUTOMATIC WIPERS ONLY)

An electrically operated intermittent wiper and washer system is standard factory-installed safety equipment on this model (Fig. 1). The wiper and washer system includes the following major components, which are described in further detail elsewhere in this service information:

- **Check Valve** - The washer system check valve is integral to the plumbing fitting located in the washer plumbing between the cowl plenum washer hose and the two washer nozzle hoses, and is located

beneath the cowl top panel at the base of the windshield in the engine compartment.

- **Multi-Function Switch** - The multi-function switch is secured to the top of the steering column, just below the steering wheel. Only the left (lighting) control stalk, right (wiper) control stalk and the hazard warning switch button for the multi-function switch are visible, the remainder of the switch is concealed beneath the steering column shrouds. The multi-function switch contains all of the switches for

both the wiper and washer systems. (Refer to 8 - ELECTRICAL/LAMPS/LIGHTING - EXTERIOR/MULTI-FUNCTION SWITCH - DESCRIPTION)

- **Rain Sensor** - Vehicles equipped with an optional automatic wiper feature have an electronic rain sensor concealed within the base of the rear view mirror unit on the inside of the laminated windshield glass.

- **Rain Sensor Control Module** - Vehicles equipped with an optional automatic wiper feature have an electronic rain sensor control module located under the lower instrument panel above the accelerator pedal in the passenger compartment of the vehicle.

- **Washer Fluid Level Switch** - The optional washer fluid level switch is integral to a unique version of the washer pump/motor unit, which is located in a dedicated hole on the top of the sump area near the back of the windshield washer reservoir on the right front fender wheel house in the engine compartment.

- **Washer Nozzle** - A single washer nozzle with three separate orifices is secured with integral snap features to each wiper arm. The hoses for the washer nozzles are concealed beneath a molded plastic guide on the underside of each wiper arm and routed to the engine compartment through unique molded plastic elbow fittings located near each wiper pivot at the base of the windshield.

- **Washer Pump/Motor** - Two different washer pump/motor units are available for this model. One version has an integral washer fluid level switch that provides a hard wired input to the instrument cluster for control of the optional washer fluid indicator. The washer pump/motor unit is located in a dedicated hole on the top of the sump area near the back of the windshield washer reservoir on the right front fender wheel house in the engine compartment.

- **Washer Reservoir** - The washer reservoir is located on the right front fender wheel house in the engine compartment. The washer reservoir filler is accessed from the right front corner of the engine compartment.

- **Wiper Arm** - The two unequal length wiper arms are secured to the two wiper pivots, which extend through the cowl panel near the base of the windshield. The longer arm is installed on the left (driver) side of the windshield.

- **Wiper Blade** - The two unequal length wiper blades are secured to the two wiper arms, and are parked on the glass near the bottom of the windshield when the wiper system is not in operation. The longer blade is installed on the left (driver) side of the windshield.

- **Wiper Linkage** - The wiper pivots are the only visible components of the wiper linkage. The remainder of the linkage is concealed within the engine compartment just behind the hood opening. The

wiper linkage module includes the two wiper drive links, the wiper motor crank arm, the two wiper pivots, and the linkage and motor mounting bracket.

- **Wiper Motor** - The wiper motor is secured to the wiper linkage module bracket on the underside of the cowl panel within the engine compartment. The wiper motor output shaft and crank arm extend through a clearance hole in the mounting bracket, where they are connected to a crank arm that drives the wiper linkage.

- **Wiper Relay** - The wiper relay is located in a dedicated receptacle on the lower left surface of the fuse block underneath the steering column behind the fuse access panel and the steering column opening panel. The wiper relay is a passive component on vehicles equipped with the optional automatic wiper system.

- **Wiper, Turn Signals, Engine Start Control Module** - The wiper, turn signals and engine start control module is integral to the fuse block located underneath the steering column. The fuse block is concealed behind the fuse access panel and the steering column opening panel, where it is secured with screws to the steering column. The wiper system functions of this module are passive on vehicles equipped with the optional automatic wiper system.

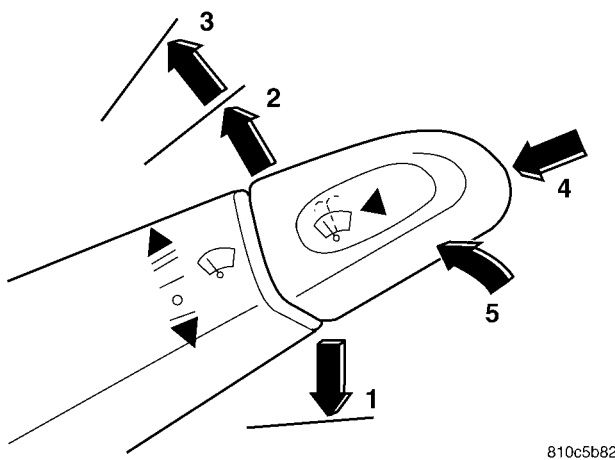
Hard wired circuitry connects the wiper and washer system components to the electrical system of the vehicle. These hard wired circuits are integral to several wire harnesses, which are routed throughout the vehicle and retained by many different methods. These circuits may be connected to each other, to the vehicle electrical system and to the wiper and washer system components through the use of a combination of soldered splices, splice block connectors, and many different types of wire harness terminal connectors and insulators. Refer to the appropriate wiring information. The wiring information includes wiring diagrams, proper wire and connector repair procedures, further details on wire harness routing and retention, as well as pin-out and location views for the various wire harness connectors, splices and grounds.

OPERATION

The wiper and washer system is designed to provide the vehicle operator with a convenient, safe, and reliable means of maintaining visibility through the windshield glass. The various components of this system are designed to convert electrical energy produced by the vehicle electrical system into the mechanical action of the wiper blades to wipe the outside surface of the glass, as well as into the hydraulic action of the washer system to apply washer fluid stored in an on-board reservoir to the area of the glass to be wiped. When combined, these components provide the means to effectively maintain clear visibility for the vehicle operator by removing excess accumulations of rain, snow, bugs, mud, or

other minor debris from the outside windshield glass surface that might be encountered while driving the vehicle under numerous types of inclement operating conditions.

Two wiper systems are available: the standard intermittent wiper system, or an optional automatic wiper system. The vehicle operator initiates all wiper and washer system functions with the multi-function switch wiper control stalk that extends from the right side of the steering column, just below the steering wheel. Depressing, raising, or pulling the right control stalk of the multi-function switch selects the desired wiper system operating mode (Fig. 2). The wiper system allows the vehicle operator to select from two continuous wiper speeds, Hi or Lo, either a fixed interval intermittent wiper mode or an auto wiper mode (as the vehicle is equipped), and a pulse wiper mode. Pushing the knob on the end of the control stalk towards the steering column activates the washer pump/motor, which dispenses washer fluid onto the windshield glass through the washer nozzles.



810c5b82

Fig. 2 Windshield Wiper/Washer Switch

- 1 - INTERMITTENT WIPE MODE (OR AUTO WIPE MODE IF EQUIPPED)
- 2 - CONTINUOUS LOW SPEED WIPE MODE
- 3 - CONTINUOUS HIGH SPEED WIPE MODE
- 4 - WASHER MODE
- 5 - PULSE WIPE MODE

The hard wired inputs to and outputs from the wiper and washer system components may be diagnosed and tested using conventional diagnostic tools and methods. Refer to the appropriate diagnostic information. Refer to the owner's manual in the vehicle glove box for more information on the features and operation of the wiper and washer system.

INTERMITTENT WIPE SYSTEM

When the ignition switch is in the On position, battery current from a fuse in the fuse block underneath the steering column is provided through a fused ignition switch output (run-start) circuit to the intermit-

tent wiper logic circuitry of the wiper, turn signals and engine start control module within the fuse block, the multi-function switch, the wiper relay and the wiper motor park switch. The internal circuitry of the multi-function switch provides a direct hard wired battery current output to the low speed or high speed brushes of the wiper motor when the Low, High, or Pulse position is selected, which causes the wipers to cycle at the selected speed for as long as that switch position remains selected.

In order to provide the intermittent wiper and wipe-after-wash features, the intermittent wiper logic circuitry of the wiper, turn signals and engine start control module within the fuse block monitors inputs from the intermittent wiper and washer switch circuitry of the multi-function switch and the park switch in the wiper motor. When the intermittent wiper position is selected with the multi-function switch control stalk, the intermittent wiper logic circuitry responds by energizing the wiper relay and calculating the correct delay interval. The energized wiper relay directs battery current through the intermittent wiper position circuitry of the multi-function switch to the low speed brush of the wiper motor. The intermittent wiper logic circuit monitors the wiper motor operation through the wiper on/off relay output circuit, which allows it to determine the proper timing to begin the next wiper blade sweep. The normal delay interval is about five seconds.

When the Off position of the multi-function switch wiper control stalk is selected, one of two events is possible. The event that will occur depends upon the position of the wiper blades on the windshield at the moment that the Off position is selected. If the wiper blades are in the down position on the windshield when the Off position is selected, the park switch that is integral to the wiper motor is closed to ground, the intermittent wiper logic circuit de-energizes the wiper relay, and the wiper motor ceases to operate.

If the wiper blades are not in the down position on the windshield at the moment the Off position is selected, the park switch is closed to battery current through the fused ignition switch output (run-start) circuit. The intermittent wiper logic circuit energizes the wiper relay and the wiper on-off relay output circuit directs battery current to the low speed brush of the wiper motor through the normally open contact of the wiper relay, then through the internal Off position circuitry of the multi-function switch. This causes the wiper motor to continue running until the wiper blades are in the down position on the windshield and the park switch is again closed to ground.

When the Wash position of the control knob on the right control stalk of the multi-function switch is selected, the washer switch circuitry directs battery current to the washer pump motor and to the intermittent wiper logic circuitry. When the washer switch

is closed with the wiper system turned Off, the intermittent wipe logic circuitry operates the wiper motor in the same manner as it does to provide the intermittent wipe mode operation. After the state of the washer switch changes to open, the intermittent wipe logic circuitry monitors the wiper motor through the wiper on-off relay output circuit, which allows it to monitor the number of wiper blade sweeps. After the appropriate number of wiper sweeps the intermittent wipe logic circuitry operates the wiper motor to return the wipers to their park position, then de-energizes the wiper relay.

AUTOMATIC WIPE SYSTEM

When the ignition switch is in the On position, battery current from a fuse in the fuse block underneath the steering column is provided through a fused ignition switch output (run-start) circuit to the rain sensor control module under the instrument panel, to the rain sensor within the base of the inside rear view mirror on the windshield, and to the multi-function switch. The internal circuitry of the multi-function switch provides direct hard wired battery current outputs to the rain sensor control module to indicate the selected wiper operating mode. The control module logic monitors the inputs from the multi-function switch as well as from the rain sensor and the wiper motor park switch in order to provide the outputs necessary to operate the wiper motor and the washer pump motor as requested.

When the automatic wipe position is selected with the multi-function switch control stalk, the rain sensor control module logic circuitry responds by providing an acknowledgment sweep of the wipers. The rain sensor calculates the correct wiper speed and wiper sweep intervals required to remove the moisture detected on the windshield glass and provides this input to the rain sensor control module. The control module then energizes and de-energizes the wiper motor automatically. The automatic wipe logic will also provide a wipe-after-wash feature to clear washer fluid that is directed onto the windshield when the washer system is utilized.

When the Off position of the multi-function switch wiper control stalk is selected, one of two events is possible. The event that will occur depends upon the position of the wiper blades on the windshield at the moment that the Off position is selected. If the wiper blades are in the down position on the windshield when the Off position is selected, the park switch that is integral to the wiper motor is closed to ground, and the rain sensor control module logic circuit de-energizes the wiper motor. If the wiper blades are not in the down position at the moment the Off position is selected, the park switch is an open circuit. The control module logic circuit directs battery current to the low speed brush of the wiper motor, which causes the wiper motor to continue running

until the wiper blades are in the down position on the windshield and the park switch is again closed to ground.

When the Wash position of the control knob on the right control stalk of the multi-function switch is selected with the wiper system turned Off, the rain sensor control module logic circuitry operates the wiper motor in the same manner as it does to provide the automatic wipe mode operation. After the state of the washer switch changes to open the control module monitors the wiper motor through the wiper park switch sense circuit, which allows it to monitor the number of wiper blade sweeps. After the appropriate number of wiper sweeps the control module operates the wiper motor to return the wipers to their park position, then de-energizes the wiper motor.

OPERATING MODES

The components of the wiper and washer system are designed to provide the following operating modes:

- **Automatic Wipe Mode** - On vehicles so equipped, the internal circuitry of the multi-function switch, the rain sensor control module and the rain sensor work in concert to provide wiper system operation automatically whenever moisture is detected on the windshield glass.

- **Continuous Wipe Mode** - The two-speed wiper motor, the internal circuitry of the multi-function switch, and the wiper system logic circuits work in concert to provide two continuous wipe cycles, low speed or high speed.

- **Intermittent Wipe Mode** - On vehicles so equipped, the internal circuitry of the multi-function switch, the intermittent wipe circuitry of the wiper, turn signals and engine start control module in the fuse block, and the wiper relay work in concert to provide an intermittent wipe mode with a single, fixed delay interval.

- **Pulse Wipe Mode** - The internal circuitry of the multi-function switch and the wiper system logic circuits work in concert to provide a pulse wipe mode that will allow the wiper motor to be operated for a single, complete wipe cycle.

- **Washer Mode** - When the washer system is activated with the multi-function switch while the wiper system is operating, washer fluid will be dispensed onto the windshield glass through the washer nozzles for as long as the washer pump/motor is energized.

- **Wipe-After-Wash Mode** - The wiper system logic circuitry provides a wipe-after-wash feature. If the wipers are turned Off, this feature will operate the washer pump/motor and the wipers for as long as the washer system is activated, then provide several additional wipe cycles after the washer system is deactivated before parking the wiper blades near the base of the windshield.

DIAGNOSIS AND TESTING - WIPER & WASHER SYSTEM

If the wiper motor operates, but the wipers do not move on the windshield, replace the faulty wiper linkage module. If the washer pump/motor operates, but no washer fluid is dispensed on the glass; or, if the wipers operate, but chatter, lift, or do not clear the glass, clean and inspect the wiper and washer system components as required. (Refer to 8 - ELECTRICAL/WIPERS/WASHERS - CLEANING) and (Refer to 8 - ELECTRICAL/WIPERS/WASHERS - INSPECTION). For diagnosis and testing of the multi-function switch (Refer to 8 - ELECTRICAL/LAMPS/LIGHTING - EXTERIOR/MULTI-FUNCTION SWITCH - DIAGNOSIS AND TESTING). Refer to the appropriate wiring information. The wiring information includes wiring diagrams, proper wire and connector repair procedures, details of wire harness routing and retention, connector pin-out information and location views for the various wire harness connectors, splices and grounds.

The hard wired circuits and components of the wiper and washer system may be diagnosed and

tested using conventional diagnostic tools and procedures. However, conventional diagnostic methods may not prove conclusive in the diagnosis of the intermittent wipe logic circuitry contained within the fuse block underneath the steering column, the rain sensor within the base of the rear view mirror on the windshield, or the rain sensor control module under the instrument panel.

WARNING: To avoid personal injury or death, on vehicles equipped with airbags, disable the supplemental restraint system before attempting any steering wheel, steering column, airbag, seat belt tensioner, or instrument panel component diagnosis or service. Disconnect and isolate the battery negative (ground) cable, then wait two minutes for the system capacitor to discharge before performing further diagnosis or service. This is the only sure way to disable the supplemental restraint system. Failure to take the proper precautions could result in accidental airbag deployment.

INTERMITTENT WIPER SYSTEM

CONDITION	POSSIBLE CAUSES	CORRECTION
WIPERS INOPERATIVE IN ALL SWITCH POSITIONS	<ol style="list-style-type: none"> 1. Faulty or missing fuse. 2. Faulty wiper motor ground circuit. 3. Faulty multi-function switch feed circuit. 4. Faulty multi-function switch. 5. Faulty wiper motor. 	<ol style="list-style-type: none"> 1. Test and replace the fuse as required. 2. Test and repair the open ground circuit as required. 3. Test and repair the open fused ignition switch output circuit between the fuse and the multi-function switch as required. 4. Test and replace the multi-function switch as required. 5. Test and replace the wiper motor as required.
WIPERS INOPERATIVE IN INTERMITTENT POSITION AND NO WIPE AFTER WASH FEATURE	<ol style="list-style-type: none"> 1. Faulty wiper relay. 2. Faulty multi-function switch. 3. Faulty intermittent wipe logic circuit. 	<ol style="list-style-type: none"> 1. Test and replace the wiper relay as required. 2. Test and replace the multi-function switch as required. 3. Replace the steering column fuse block as required.
WIPERS INOPERATIVE IN LOW POSITION AND NO PULSE FEATURE	<ol style="list-style-type: none"> 1. Faulty low speed circuit. 2. Faulty multi-function switch. 3. Faulty wiper low speed brush. 	<ol style="list-style-type: none"> 1. Test and repair the open low speed circuit between the multi-function switch and the wiper motor as required. 2. Test and replace the multi-function switch as required. 3. Test and replace the wiper motor as required.

CONDITION	POSSIBLE CAUSES	CORRECTION
WIPERS INOPERATIVE IN HIGH POSITION	<ol style="list-style-type: none"> 1. Faulty high speed circuit. 2. Faulty multi-function switch. 3. Faulty wiper high speed brush. 	<ol style="list-style-type: none"> 1. Test and repair the open high speed circuit between the multi-function switch and the wiper motor as required. 2. Test and replace the multi-function switch as required. 3. Test and replace the wiper motor as required.
WIPERS DO NOT PARK AFTER OPERATING	<ol style="list-style-type: none"> 1. Faulty motor feed circuit. 2. Faulty park switch output circuit. 3. Faulty wiper relay. 4. Faulty park switch. 	<ol style="list-style-type: none"> 1. Test and repair the open fused ignition switch output circuit to the wiper motor as required. 2. Test and repair the open or shorted circuit between the wiper park switch and the wiper relay as required. 3. Test and replace the wiper relay as required. 4. Test and replace the wiper motor as required.
WASHERS INOPERATIVE	<ol style="list-style-type: none"> 1. Faulty washer pump ground circuit. 2. Faulty washer pump feed circuit. 3. Faulty washer pump motor. 4. Faulty multi-function switch. 	<ol style="list-style-type: none"> 1. Test and repair the open ground circuit as required. 2. Test and repair the open circuit between the multi-function switch and the washer pump as required. 3. Test and replace the washer pump as required. 4. Test and replace the multi-function switch as required.

AUTOMATIC WIPER SYSTEM

CONDITION	POSSIBLE CAUSES	CORRECTION
WIPERS INOPERATIVE IN ALL SWITCH POSITIONS	<ol style="list-style-type: none"> 1. Faulty or missing fuse. 2. Faulty wiper motor ground circuit. 3. Faulty wiper motor. 4. Faulty multi-function switch feed circuit. 5. Faulty multi-function switch. 6. Faulty rain sensor control module ground circuit. 7. Faulty rain sensor control module feed circuit. 8. Faulty rain sensor control module. 	<ol style="list-style-type: none"> 1. Test and replace the fuse as required. 2. Test and repair the open ground circuit as required. 3. Test and replace the wiper motor as required. 4. Test and repair the open fused ignition switch output circuit between the fuse and the multi-function switch as required. 5. Test and replace the multi-function switch as required. 6. Test and repair the open ground circuit as required. 7. Test and repair the open fused ignition switch output circuit between the fuse and the rain sensor control module as required. 8. Test and replace the rain sensor control module as required.

CONDITION	POSSIBLE CAUSES	CORRECTION
AUTOMATIC WIPE INOPERATIVE (WITH ACKNOWLEDGEMENT WIPE)	<ol style="list-style-type: none"> 1. Faulty rain sensor shielding ground circuits. 2. Faulty rain sensor ground circuit. 3. Faulty faulty rain sensor feed circuit. 4. Faulty rain sensor signal circuit. 5. Faulty rain sensor. 	<ol style="list-style-type: none"> 1. Test and repair the open shielding circuits as required. 2. Test and repair the open ground circuit between the rain sensor and the control module as required. 3. Test and repair the open feed circuit between the rain sensor and the control module as required. 4. Test and repair the open or shorted signal circuit between the rain sensor and the control module as required. 5. Test and replace the rain sensor as required.
AUTOMATIC WIPE INOPERATIVE (NO ACKNOWLEDGEMENT WIPE)	<ol style="list-style-type: none"> 1. Faulty rain sensor control module. 	<ol style="list-style-type: none"> 1. Test and replace the rain sensor control module as required.
WIPERS INOPERATIVE IN LOW POSITION AND NO PULSE FEATURE	<ol style="list-style-type: none"> 1. Faulty low speed request circuit. 2. Faulty multi-function switch. 3. Faulty low speed control circuit. 4. Faulty wiper low speed brush. 	<ol style="list-style-type: none"> 1. Test and repair the open low speed request circuit between the multi-function switch and the rain sensor control module as required. 2. Test and replace the multi-function switch as required. 3. Test and repair the open low speed control circuit between the rain sensor control module and the wiper motor as required. 4. Test and replace the wiper motor as required.
WIPERS INOPERATIVE IN HIGH POSITION	<ol style="list-style-type: none"> 1. Faulty high speed request circuit. 2. Faulty multi-function switch. 3. Faulty high speed control circuit. 3. Faulty wiper high speed brush. 	<ol style="list-style-type: none"> 1. Test and repair the open high speed request circuit between the multi-function switch and the rain sensor control module as required. 2. Test and replace the multi-function switch as required. 3. Test and repair the open high speed control circuit between the rain sensor control module and the wiper motor as required. 3. Test and replace the wiper motor as required.

CONDITION	POSSIBLE CAUSES	CORRECTION
WIPERS DO NOT PARK AFTER OPERATING	<ol style="list-style-type: none"> 1. Faulty park switch output circuit. 2. Faulty wiper relay output circuit. 3. Faulty wiper relay. 4. Faulty park switch. 5. Faulty intermittent wipe logic circuit. 	<ol style="list-style-type: none"> 1. Test and repair the open or shorted circuit between the wiper park switch and the rain sensor control module as required. 2. Test and repair the open or shorted circuit between the rain sensor control module and the wiper relay as required. 3. Test and replace the wiper relay as required. 4. Test and replace the wiper motor as required. 5. Replace the steering column fuse block as required.
WASHERS INOPERATIVE	<ol style="list-style-type: none"> 1. Faulty washer pump ground circuit. 2. Faulty washer pump request circuit. 3. Faulty multi-function switch. 4. Faulty washer pump control circuit. 5. Faulty washer pump motor. 	<ol style="list-style-type: none"> 1. Test and repair the open ground circuit as required. 2. Test and repair the open washer pump request circuit between the multi-function switch and the rain sensor control module as required. 3. Test and replace the multi-function switch as required. 4. Test and repair the open washer pump control circuit between the rain sensor control module and the washer pump as required. 5. Test and replace the washer pump as required.

CLEANING - WIPER & WASHER SYSTEM

WIPER SYSTEM

The squeegees of wiper blades exposed to the elements for a long time tend to lose their wiping effectiveness. Periodic cleaning of the squeegees is suggested to remove any deposits of salt or road film. The wiper blades, arms, and windshield glass should only be cleaned using a sponge or soft cloth and windshield washer fluid, a mild detergent, or a non-abrasive cleaner. If the wiper blades continue to leave streaks, smears, hazing, or beading on the glass after thorough cleaning of the squeegees and the glass, the entire wiper blade assembly must be replaced.

CAUTION: Protect the rubber squeegees of the wiper blades from any petroleum-based cleaners, solvents, or contaminants. These products can rapidly deteriorate the rubber squeegees.

WASHER SYSTEM

If the washer system is contaminated with foreign material, drain the washer reservoir by removing the washer pump/motor from the reservoir. Clean foreign material from the inside of the washer pump/motor inlet nipple and the washer reservoir using clean washer fluid, a mild detergent, or a non-abrasive cleaner. Flush foreign material from the washer system plumbing by first disconnecting the washer hoses from the washer nozzles, then running the washer pump/motor to run clean washer fluid or water through the system. Plugged or restricted washer nozzles should be carefully back-flushed using compressed air. If the washer nozzle obstruction cannot be cleared, replace the washer nozzle.

CAUTION: Never introduce petroleum-based cleaners, solvents, or contaminants into the washer system. These products can rapidly deteriorate the rubber seals and hoses of the washer system, as well as the rubber squeegees of the wiper blades.

CAUTION: Never use compressed air to flush the washer system plumbing. Compressed air pressures are too great for the washer system plumbing components and will result in further system damage. Never use sharp instruments to clear a plugged washer nozzle or damage to the nozzle orifice and improper nozzle spray patterns will result.

INSPECTION - WIPER & WASHER SYSTEM

WIPER SYSTEM

The wiper blades and wiper arms should be inspected periodically, not just when wiper performance problems are experienced. This inspection should include the following points:

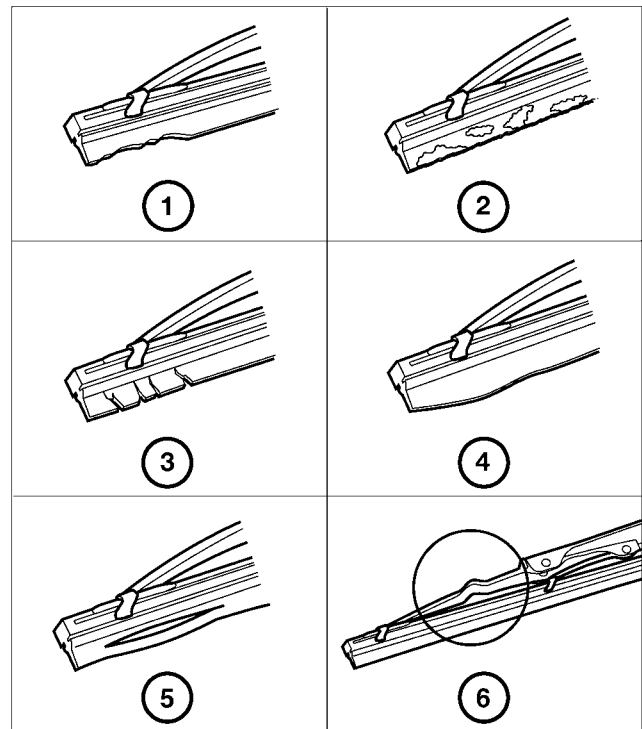
(1) Inspect the wiper arms for any indications of damage, or contamination. If the wiper arms are contaminated with any foreign material, clean them as required. (Refer to 8 - ELECTRICAL/WIPERS/WASHERS - CLEANING). If a wiper arm is damaged or corrosion is evident, replace the wiper arm with a new unit. Do not attempt to repair a wiper arm that is damaged or corroded.

(2) Carefully lift the wiper blade off of the glass. Note the action of the wiper arm hinge. The wiper arm should pivot freely at the hinge, but with no lateral looseness evident. If there is any binding evident in the wiper arm hinge, or there is evident lateral play in the wiper arm hinge, replace the wiper arm.

CAUTION: Do not allow the wiper arm to spring back against the glass without the wiper blade in place or the glass may be damaged.

(3) Once proper hinge action of the wiper arm is confirmed, check the hinge for proper spring tension. Remove the wiper blade from the wiper arm. Either place a small postal scale between the blade end of the wiper arm and the glass, or carefully lift the blade end of the arm away from the glass using a small fish scale. Compare the scale readings between the right and left wiper arms. Replace a wiper arm if it has comparatively lower spring tension, as evidenced by a lower scale reading.

(4) Inspect the wiper blades and squeegees for any indications of damage, contamination, or rubber deterioration (Fig. 3). If the wiper blades or squeegees are contaminated with any foreign material, clean them and the glass as required. (Refer to 8 - ELECTRICAL/WIPERS/WASHERS - CLEANING). After cleaning the wiper blade and the glass, if the wiper blade still fails to clear the glass without smearing, streaking, chattering, hazing, or beading, replace the wiper blade. Also, if a wiper blade is damaged or the squeegee rubber is damaged or deteriorated, replace the wiper blade with a new unit. Do not attempt to repair a wiper blade that is damaged.



809ac961

Fig. 3 Wiper Blade Inspection

- 1 - WORN OR UNEVEN EDGES
- 2 - ROAD FILM OR FOREIGN MATERIAL DEPOSITS
- 3 - HARD, BRITTLE, OR CRACKED
- 4 - DEFORMED OR FATIGUED
- 5 - SPLIT
- 6 - DAMAGED SUPPORT COMPONENTS

WASHER SYSTEM

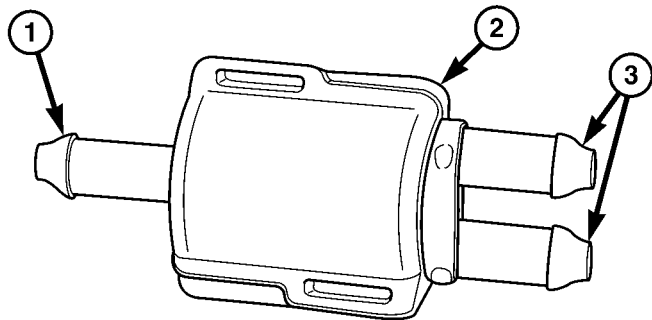
The washer system components should be inspected periodically, not just when washer performance problems are experienced. This inspection should include the following points:

(1) Check for ice or other foreign material in the washer reservoir. If contaminated, clean and flush the washer system. (Refer to 8 - ELECTRICAL/WIPERS/WASHERS - CLEANING).

(2) Inspect the washer plumbing for pinched, leaking, deteriorated, or incorrectly routed hoses and damaged or disconnected hose fittings. Replace damaged or deteriorated hoses and hose fittings. Leaking washer hoses can sometimes be repaired by cutting the hose at the leak and splicing it back together using an in-line connector fitting. Similarly, sections of deteriorated hose can be cut out and replaced by splicing in new sections of hose using in-line connector fittings. Whenever routing a washer hose or a wire harness containing a washer hose, it must be routed away from hot, sharp, or moving parts. Also, sharp bends that might pinch the washer hose must be avoided.

CHECK VALVE

DESCRIPTION



810c658d

Fig. 4 Check Valve

- 1 - INLET NIPPLE
- 2 - CHECK VALVE
- 3 - OUTLET NIPPLE (2)

A single washer system check valve is standard equipment on this model, and is installed in the washer system plumbing (Fig. 4). The check valve is integral to the washer plumbing fitting located on the underside of the cowl top panel behind the rear of the hood panel opening in the engine compartment. The check valve consists of a molded plastic body with three barbed hose nipples, one at the inlet side of the valve body and two at the outlet side. The check valve cannot be adjusted or repaired and, if faulty or damaged, it must be replaced.

OPERATION

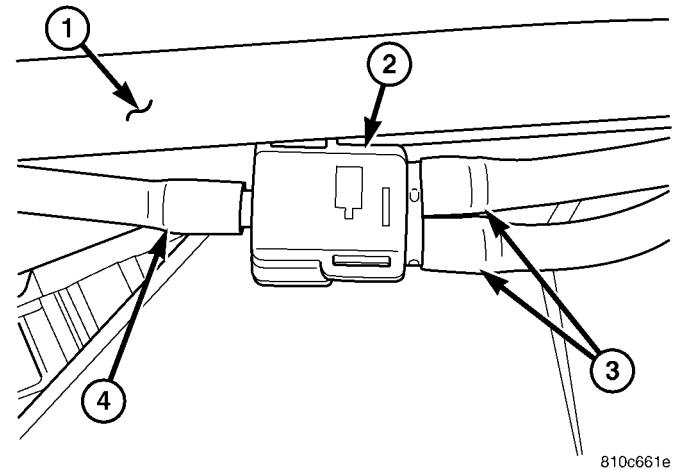
The check valve provides more than one function in this application. It serves as a plumbing connector fitting between the engine compartment and washer nozzle sections of the washer supply hose. It prevents washer fluid from draining out of the washer supply hoses back to the washer reservoir. This drain-back would result in a lengthy delay from when the washer switch is actuated until washer fluid was dispensed through the washer nozzles, because the washer pump would have to refill the washer plumbing from the reservoir to the nozzles. Such a drain-back condition could also result in water, dirt, or other outside contaminants being siphoned into the washer system through the washer nozzle orifice. This water could subsequently freeze and plug the nozzle, while other contaminants could interfere with proper nozzle operation and cause improper nozzle spray patterns. In addition, the check valve prevents washer fluid from siphoning through the washer nozzles after the washer system is turned Off.

When the washer pump pressurizes and pumps washer fluid from the reservoir through the washer plumbing, the fluid pressure unseats a diaphragm from over a sump well within the valve by overriding

the spring pressure applied to it by a piston. With the diaphragm unseated, washer fluid is allowed to flow toward the two washer nozzles. When the washer pump stops operating, the spring pressure on the piston seats the diaphragm over the sump well in the valve and fluid flow in either direction within the washer plumbing is prevented. The check valve cannot be adjusted or repaired and, if faulty or damaged, it must be replaced.

REMOVAL

- (1) Unlatch and open the hood panel.
- (2) Disconnect the washer hoses from the three barbed nipples of the check valve unit (Fig. 5).



810c661e

Fig. 5 Check Valve Remove/Install

- 1 - COWL HOOD SEAL
- 2 - CHECK VALVE
- 3 - HOSE TO WASHER NOZZLE (2)
- 4 - HOSE FROM WASHER PUMP

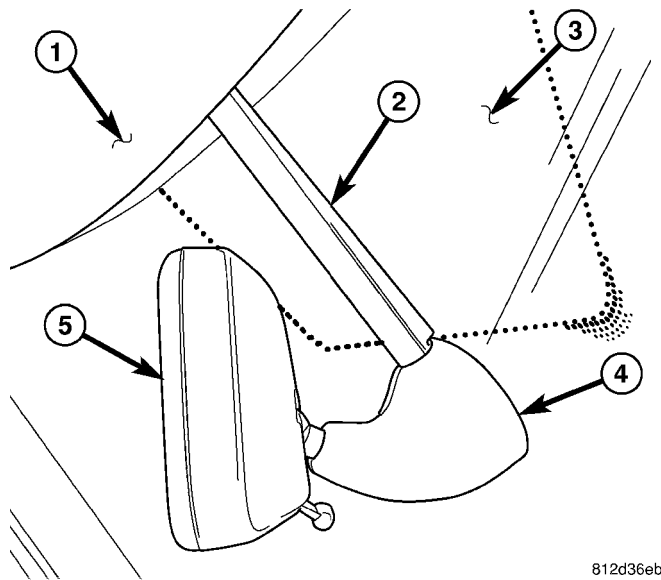
- (3) Remove the check valve unit from the underside of the cowl top panel.

INSTALLATION

- (1) Position the check valve unit to the underside of the cowl top panel (Fig. 5).
- (2) Reconnect the three washer hoses to the barbed nipples of the check valve unit.
- (3) Close and latch the hood.

RAIN SENSOR

DESCRIPTION



812d36eb

Fig. 6 Rain Sensor

- 1 - HEADLINER
- 2 - TROUGH
- 3 - WINDSHIELD
- 4 - RAIN SENSOR
- 5 - MIRROR

The rain sensor provides the primary input for the optional automatic wiper system (Fig. 6). The rain sensor is located on the inside of the windshield, where it is concealed within the molded plastic trim cover that snaps over the base of the rear view mirror arm. The sensor fits within the center of a ring-like molded plastic bracket that is glued to the inside of the windshield glass and that also serves as the support for the rear view mirror.

The rain sensor is contained within a circular molded black plastic housing with a short pigtail wire and a connector insulator containing three terminal cavities that exits one side of the housing. This pigtail connects the rain sensor to the vehicle electrical system through a dedicated take out and connector of the overhead wire harness that extends from above the headliner. A molded plastic trough routes and conceals the pigtail wires on the inside of the windshield between the rear view mirror base and the headliner.

The windshield side of the rain sensor housing is open, but covered with a clear gelatin-like material that protects the internal electronic sensor circuitry and serves as the lens for the InfraRed (IR) diodes and photocells within the sensor housing. This gel coating must never be touched or the rain sensor function may be impaired and the unit rendered unusable. The rain sensor cannot be adjusted or repaired and, if damaged or faulty, the entire sensor must be replaced. The sensor bracket and a rear view

mirror adhesive kit are available for separate service replacement.

OPERATION

The rain sensor operates on battery current and a clean ground received from the rain sensor control module. The rain sensor contains InfraRed (IR) diodes that direct IR light beams at the windshield at an angle. When the windshield glass is dry, most of this IR light is reflected back to the sensor, which uses photocell receivers to measure the intensity of the light. When moisture accumulates on the windshield glass, much of the IR light is refracted away from the photocell receivers. This causes changes in the signal output of the rain sensor. The rain sensor control module monitors the signal output from the sensor and then controls the wiper motor speed and wipe intervals accordingly.

It is important to note that the default condition for the wiper system is automatic wipers Off; therefore, if no message is received from the rain sensor by the rain sensor control module, the automatic wipers will be disabled. If automatic wipers are disabled, normal low and high speed continuous wiper operation are unaffected. Also, due to the low voltage nature of the rain sensor signal and the impact that minor fluctuations in this signal strength can have on wiper operation, grounded shielding circuits are provided at the roof and control module connectors to control electrical induction into the sensor signal circuit.

The hard wired rain sensor circuits may be diagnosed using conventional diagnostic tools and methods. However, conventional diagnostic methods may not prove conclusive in the diagnosis of the internal circuitry or the optics of the rain sensor. Refer to the appropriate wiring information.

STANDARD PROCEDURE

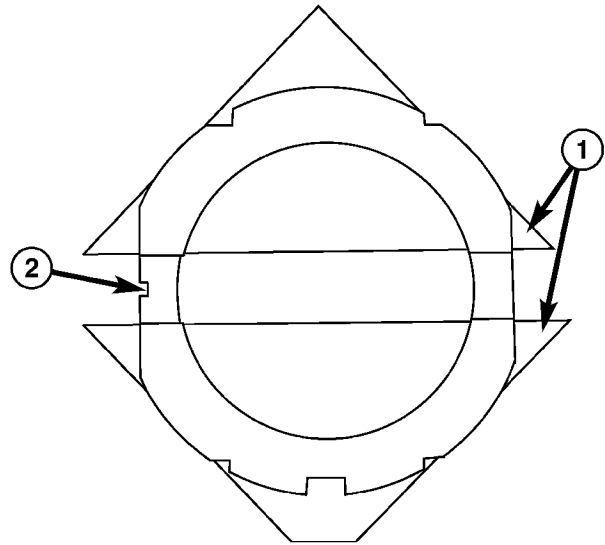
RAIN SENSOR BRACKET REPLACEMENT

The rain sensor fits within the center of a ring-like molded plastic bracket that is glued to the inside of the windshield glass and that also serves as the support for the rear view mirror arm. If the bracket should come loose from the windshield, it must be reinstalled using a rear view mirror adhesive kit and the procedure that follows.

WARNING: To avoid personal injury or death, on vehicles equipped with airbags, disable the supplemental restraint system before attempting any steering wheel, steering column, airbag, seat belt tensioner, or instrument panel component diagnosis or service. Disconnect and isolate the battery negative (ground) cable, then wait two minutes for the system capacitor to discharge before performing further diagnosis or service. This is the only sure way to disable the supplemental restraint system. Failure to take the proper precautions could result in accidental airbag deployment.

CAUTION: Do not touch the gel-like surface of the rain sensor or the sensor function may be impaired and the sensor rendered unusable.

- (1) Disconnect and isolate the battery negative cable.
- (2) Remove the rear view mirror and the rain sensor from the rain sensor bracket. (Refer to 8 - ELECTRICAL/WIPERS/WASHERS/RAIN SENSOR - REMOVAL).
- (3) Cut diagonally through the nylon mesh fabric from the rear view mirror adhesive kit (Fig. 7).



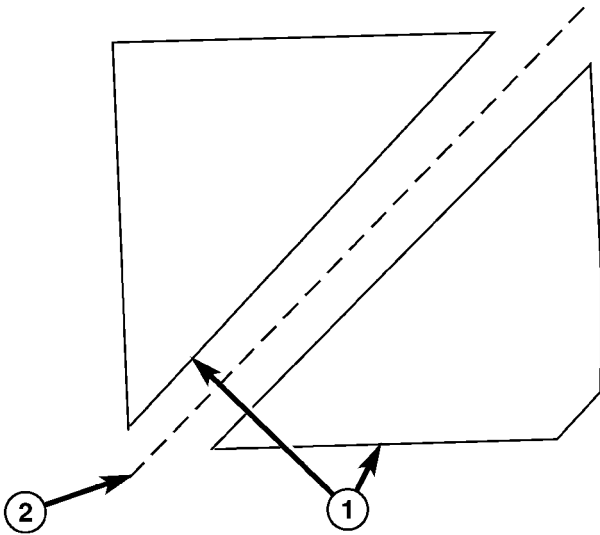
812e36e1

Fig. 8 Trim Nylon Mesh Fabric

- 1 - FABRIC
- 2 - BRACKET

- (5) Cut the two sections of nylon mesh fabric to the contours of the rain sensor.

NOTE: If the early version of the rain sensor bracket is used, the nylon mesh material must be cut so as not to lie over the bracket collar (Fig. 9).

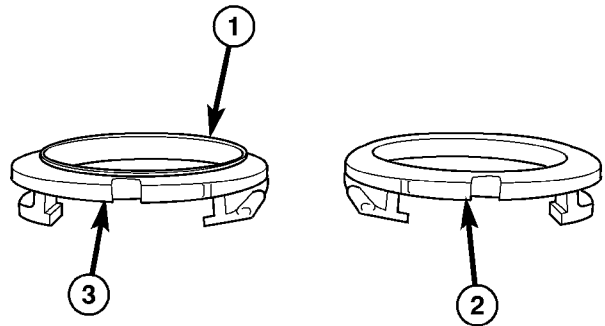


812e36d5

Fig. 7 Cut Nylon Mesh Fabric

- 1 - FABRIC
- 2 - DIAGONAL CUT

- (4) Place the rain sensor bracket onto the nylon mesh fabric (Fig. 8).



812e36e8

Fig. 9 Rain Sensor Brackets

- 1 - COLLAR
- 2 - EARLY TYPE BRACKET
- 3 - LATE TYPE BRACKET

- (6) Complete the bracket installation following the instructions provided with the rear view mirror adhesive kit.

- (7) Reinstall the rain sensor and the rear view mirror onto the rain sensor bracket. (Refer to 8 - ELECTRICAL/WIPERS/WASHERS/RAIN SENSOR - INSTALLATION).

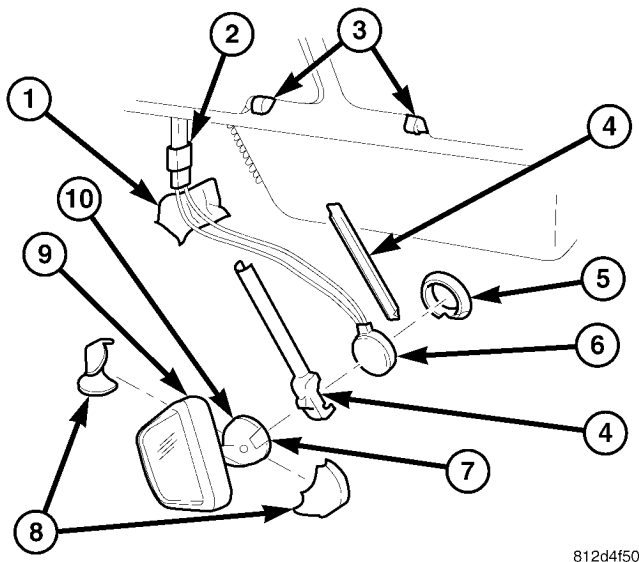
- (8) Reconnect the battery negative cable.

REMOVAL

WARNING: To avoid personal injury or death, on vehicles equipped with airbags, disable the supplemental restraint system before attempting any steering wheel, steering column, airbag, seat belt tensioner, or instrument panel component diagnosis or service. Disconnect and isolate the battery negative (ground) cable, then wait two minutes for the system capacitor to discharge before performing further diagnosis or service. This is the only sure way to disable the supplemental restraint system. Failure to take the proper precautions could result in accidental airbag deployment.

- (1) Disconnect and isolate the battery negative cable.

(2) Unsnap the base covers from each other and remove them from the rear view mirror arm at the windshield (Fig. 10).



812d4f50

Fig. 10 Rain Sensor Remove/Install

- 1 - FELT
- 2 - CONNECTOR
- 3 - INNER VISOR HINGE (2)
- 4 - WIRE COVER
- 5 - BRACKET
- 6 - SENSOR
- 7 - RETAINING COLLAR
- 8 - BASE COVER
- 9 - MIRROR
- 10 - ARM

(3) Using a small thin-bladed screwdriver, gently pry the retaining collar slightly upward while pressing the mirror arm downward parallel to the windshield until the mirror arm unsnaps from the bracket.

(4) Separate and remove the two halves of the wire cover from the rain sensor pigtail wires.

(5) Loosen the screws securing both inner sun visor hinges to the windshield header.

(6) Pull the headliner down from the windshield header far enough to pull the rain sensor pigtail wire connector out from under the headliner.

(7) Remove the anti-rattle felt from the wire connector insulators.

(8) Disconnect the sensor pigtail wire connector from the roof wire harness connector.

CAUTION: Do not touch the gel-like surface of the rain sensor or the sensor function may be impaired and the sensor rendered unusable.

(9) Remove the rain sensor from the center of the bracket.

INSTALLATION

WARNING: To avoid personal injury or death, on vehicles equipped with airbags, disable the supplemental restraint system before attempting any steering wheel, steering column, airbag, seat belt tensioner, or instrument panel component diagnosis or service. Disconnect and isolate the battery negative (ground) cable, then wait two minutes for the system capacitor to discharge before performing further diagnosis or service. This is the only sure way to disable the supplemental restraint system. Failure to take the proper precautions could result in accidental airbag deployment.

CAUTION: Do not touch the gel-like surface of the rain sensor or the sensor function may be impaired and the sensor rendered unusable.

(1) Position the rain sensor into the center of the bracket on the windshield (Fig. 10).

(2) Reconnect the sensor pigtail wire connector to the roof wire harness connector.

(3) Reinstall the anti-rattle felt over the wire connector insulators.

(4) Pull the headliner down from the windshield header far enough to tuck the rain sensor pigtail wire connector under the headliner.

(5) Tighten the screws securing both inner sun visor hinges to the windshield header.

(6) Align and install the two halves of the wire cover over the rain sensor pigtail wires.

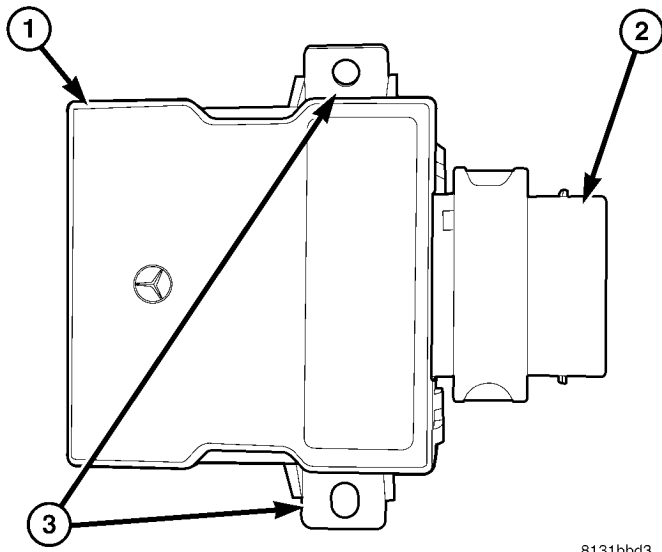
(7) Press the rear view mirror arm upward parallel to the windshield until the mirror arm snaps onto the bracket.

(8) Align and position the base covers to each other and snap them over the rear view mirror arm at the windshield.

(9) Reconnect the battery negative cable.

RAIN SENSOR CONTROL MODULE

DESCRIPTION



8131bbd3

Fig. 11 Rain Sensor Control Module

- 1 - RAIN SENSOR CONTROL MODULE
 2 - CONNECTOR RECEPTACLE
 3 - MOUNTING TAB (2)

The Rain Sensor Control Module (RSCM) is the primary component of the automatic wiper system (Fig. 11). The RSCM is secured with two screws and nuts to a bracket located under the instrument panel above the throttle pedal within the passenger compartment. The rectangular molded plastic housing of the RSCM has an integral mounting tab on each side and an integral connector receptacle on one end, which contains the module terminal pins. These terminal pins connect the RSCM to the vehicle electrical system through a dedicated take out and connector of the instrument panel wiring. Concealed and protected within the RSCM housing is the electronic circuitry of the module.

The RSCM cannot be repaired and, if damaged or faulty, the entire module must be replaced.

OPERATION

The microprocessor-based Rain Sensor Control Module (RSCM) is only used in vehicles equipped with an optional automatic wiper system. The RSCM monitors inputs from the ignition switch, the wiper and washer switch circuitry of the multi-function switch on the steering column, the park switch within the wiper motor, and the rain sensor on the inside of the windshield glass. Based upon these inputs the RSCM sends the proper control outputs to the wiper motor and the washer pump motor to provide all of the requested wiper and washer system functions.

The RSCM operates on battery current received from a fuse in the fuse block on a fused ignition switch output (run-start) circuit so that the RSCM will operate whenever the ignition switch is in the On or Start positions. The RSCM receives ground at all times through its connection to the instrument panel wire harness. It is important to note that the default condition for the wiper system is automatic wipers Off; therefore, if no input is received from the rain sensor by the RSCM, the automatic wipers will be disabled and the RSCM will default the wiper and washer system to normal manual operation for continuous low or high speed wiper or washer mode.

The hard wired RSCM circuits may be diagnosed using conventional diagnostic tools and methods. However, conventional diagnostic methods may not prove conclusive in the diagnosis of the internal circuitry of the RSCM. Refer to the appropriate wiring information.

REMOVAL

WARNING: To avoid personal injury or death, on vehicles equipped with airbags, disable the supplemental restraint system before attempting any steering wheel, steering column, airbag, seat belt tensioner, or instrument panel component diagnosis or service. Disconnect and isolate the battery negative (ground) cable, then wait two minutes for the system capacitor to discharge before performing further diagnosis or service. This is the only sure way to disable the supplemental restraint system. Failure to take the proper precautions could result in accidental airbag deployment.

- (1) Disconnect and isolate the battery negative cable.
- (2) Locate the rain sensor control module on a bracket under the instrument panel above the throttle pedal (Fig. 12).

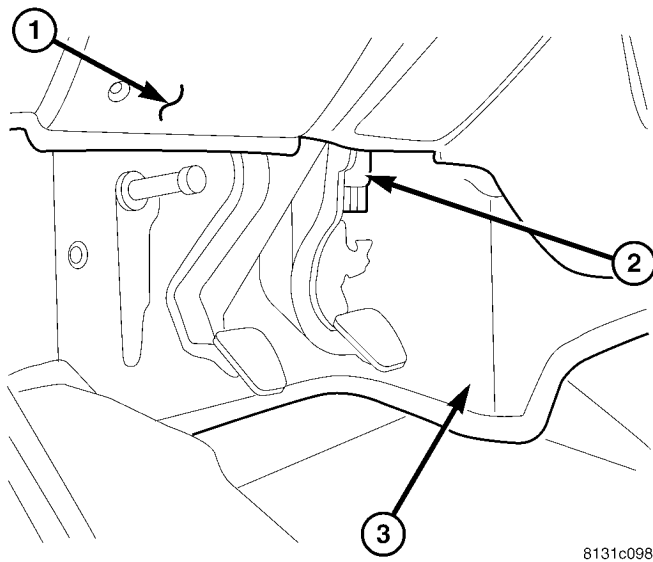


Fig. 12 Rain Sensor Control Module Location

- 1 - INSTRUMENT PANEL
2 - RAIN SENSOR CONTROL MODULE
3 - THROTTLE PEDAL

(3) Cut the tie wrap on the control module (Fig. 13).

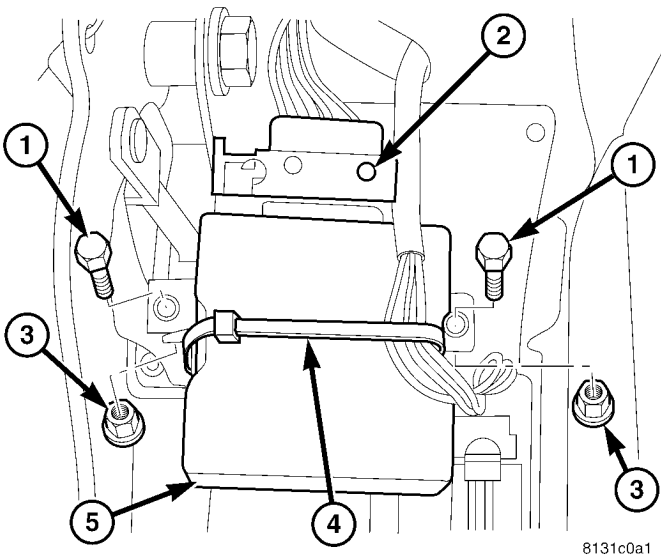


Fig. 13 Rain Sensor Control Module Remove/Install

- 1 - SCREW (2)
2 - CONNECTOR
3 - NUT (2)
4 - TIE WRAP
5 - MODULE

(4) Unlock and disconnect the wire harness connector from the module connector receptacle.

(5) Remove the two screws and nuts that secure the module to the bracket.

(6) Remove the module from the bracket.

INSTALLATION

WARNING: To avoid personal injury or death, on vehicles equipped with airbags, disable the supplemental restraint system before attempting any steering wheel, steering column, airbag, seat belt tensioner, or instrument panel component diagnosis or service. Disconnect and isolate the battery negative (ground) cable, then wait two minutes for the system capacitor to discharge before performing further diagnosis or service. This is the only sure way to disable the supplemental restraint system. Failure to take the proper precautions could result in accidental airbag deployment.

(1) Position the rain sensor control module to the bracket under the instrument panel above the throttle pedal (Fig. 12).

(2) Install and tighten the two screws and nuts that secure the module to the bracket (Fig. 13).

(3) Reconnect and lock the wire harness connector to the module connector receptacle.

(4) Install a new tie wrap to secure the wire harness to the control module.

(5) Reconnect the battery negative cable.

WASHER FLUID LEVEL SWITCH

DESCRIPTION

The optional washer fluid level switch is a single pole, single throw switch that is integral to a unique version of the washer pump/motor unit, located rearward facing side of the washer reservoir, which is located in a dedicated hole on the top of the sump area near the back of the windshield washer reservoir on the right front fender wheel house in the engine compartment. Only a molded plastic nipple with a clear vent tube are visible near the top of the washer pump/motor unit that is equipped with the optional fluid level switch when it is installed in the reservoir. The vent tube is routed to and retained in an integral clip located behind the reservoir filler cap near the top of the reservoir. This version of the washer pump/motor unit also has a third terminal pin in its integral connector receptacle. The washer fluid level switch cannot be adjusted or repaired. If faulty or damaged, the entire washer pump/motor unit must be replaced.

OPERATION

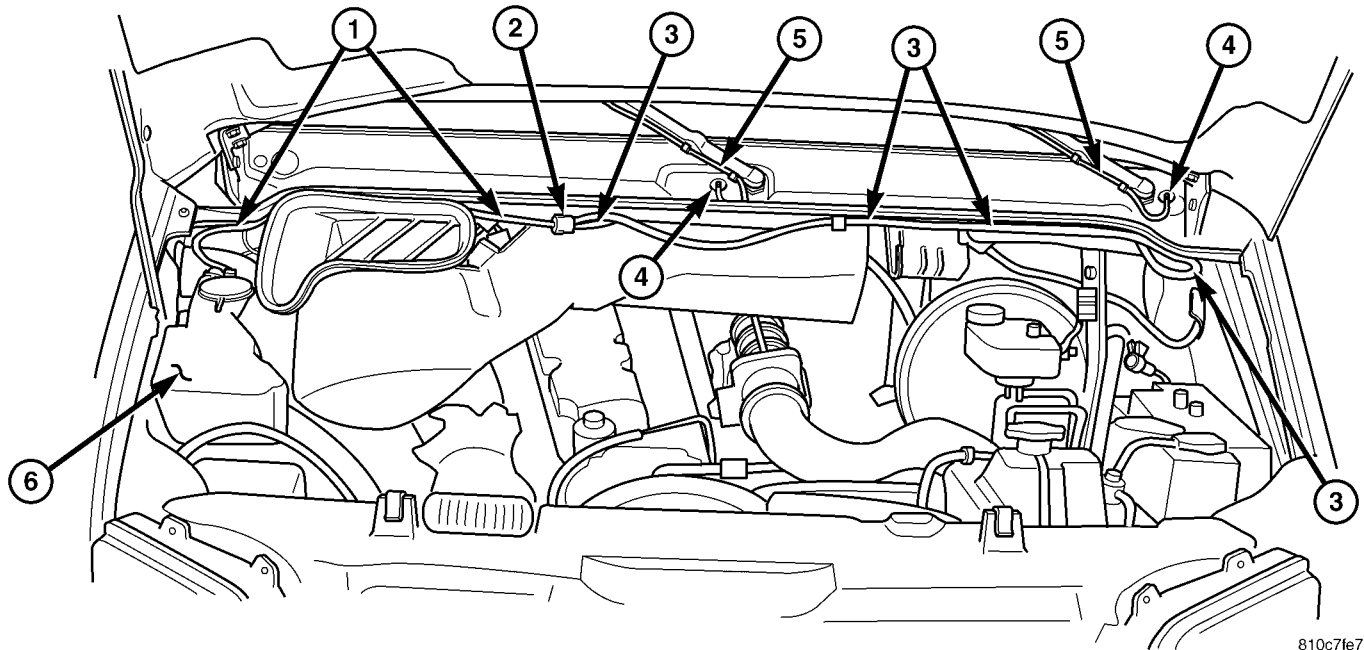
The washer fluid level switch monitors the level of the washer fluid in the washer reservoir. When the fluid level in the washer reservoir is at or above the predetermined minimum, the switch contacts are open. When the fluid level in the washer reservoir

falls below the predetermined minimum, the switch contacts of the normally open switch close. The washer fluid level switch is connected to the vehicle electrical system through the washer pump/motor unit take out and connector of the vehicle wire harness. The switch receives a path to ground at all times through another take out of the vehicle wire harness with a single eyelet terminal connector that is secured under a ground screw located near the right headlamp in the engine compartment.

The switch is connected in series between ground and the washer fluid switch sense input to the ElectroMechanical Instrument Cluster (EMIC). When the switch closes, the EMIC senses the ground on the washer fluid switch sense circuit. The EMIC is programmed to respond to this input by illuminating the washer fluid indicator. The washer fluid level switch input to the EMIC may be diagnosed using conventional diagnostic tools and methods.

WASHER HOSES / TUBES

DESCRIPTION



810c71e7

Fig. 14 Washer Plumbing

- 1 - WASHER SUPPLY HOSE
- 2 - CHECK VALVE
- 3 - WASHER NOZZLE HOSE (2)

- 4 - ELBOW FITTING (2)
- 5 - WIPER ARM WASHER HOSE (2)
- 6 - WASHER RESERVOIR

The washer plumbing consists of a small diameter rubber hose that is routed from the barbed outlet nipple of the washer pump/motor on the washer reservoir to the check valve just below the cowl top panel behind the rear of the hood opening in the engine compartment (Fig. 14). The other two barbed nipples of the check valve are connected to two short lengths of hose that each terminate at a molded plastic elbow that passes through a rubber grommet from the engine compartment to the outside of the cowl top panel near each wiper pivot. The two washer nozzle hoses are then connected from the elbow fittings on the outside of the cowl top panel along the underside of the wiper arms to the two washer nozzles.

Washer hose is available for service only as roll stock, which must then be cut to length. The molded plastic washer hose fittings cannot be repaired. If these fittings are faulty or damaged, they must be replaced.

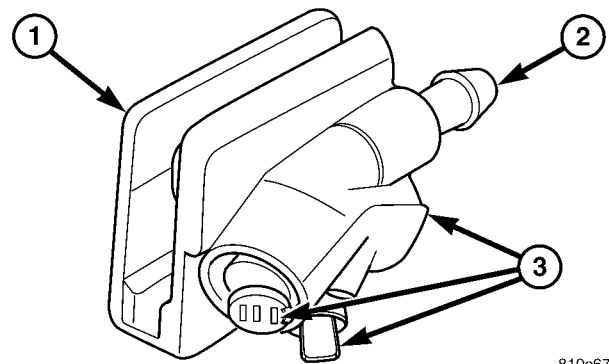
OPERATION

Washer fluid in the washer reservoir is pressurized and fed by the washer pump/motor through the washer system plumbing and fittings to the two washer nozzles. Whenever routing the washer hose

or a wire harness containing a washer hose, it must be routed away from hot, sharp, or moving parts; and, sharp bends that might pinch the hose must be avoided.

WASHER NOZZLE

DESCRIPTION



810c67ce

Fig. 15 Washer Nozzle

- 1 - WASHER NOZZLE
- 2 - NIPPLE
- 3 - ORIFICE (3)

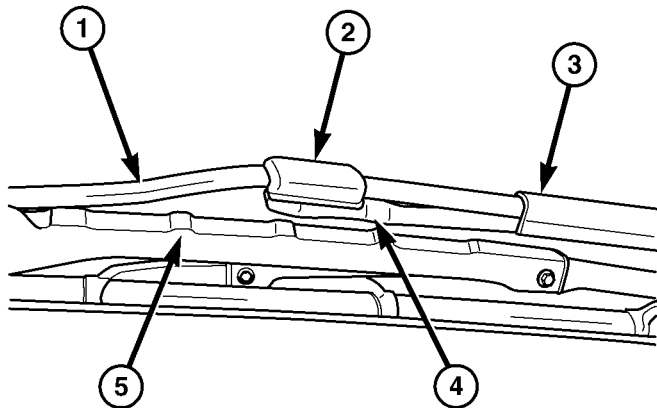
The two washer nozzles have integral mounts with snap features that secure them near the tops of the two wiper arms on the windshield. The lower surface of the washer nozzle has an integral barbed nipple that connects to the washer hose, and three nozzle orifices are oriented to dispense the washer fluid on the windshield glass throughout the wiped area of the glass (Fig. 15). The washer nozzles are constructed entirely of molded plastic. The washer nozzles cannot be adjusted or repaired and, if faulty or damaged, they must be replaced.

OPERATION

The two washer nozzles are designed to dispense washer fluid into the wiper pattern area on the outside of the windshield glass. Pressurized washer fluid is fed to each nozzle from the washer reservoir by the washer pump/motor through rubber hoses, which are attached to a barbed nipple on the underside of each washer nozzle below the wiper arm. The three orifices of each nozzle causes the pressurized washer fluid to be emitted generously in several streams throughout the travel of the wiper arm to more effectively cover a larger area of the glass to be cleaned.

REMOVAL

(1) Using hand pressure, unsnap the washer nozzle from the wiper arm (Fig. 16).



810c704f

Fig. 16 Washer Nozzle Remove/Install

- 1 - WIPER ARM
- 2 - WASHER NOZZLE
- 3 - HOSE GUARD
- 4 - WASHER HOSE
- 5 - WIPER BLADE

(2) Disconnect the hose from the barbed nipple of the washer nozzle.

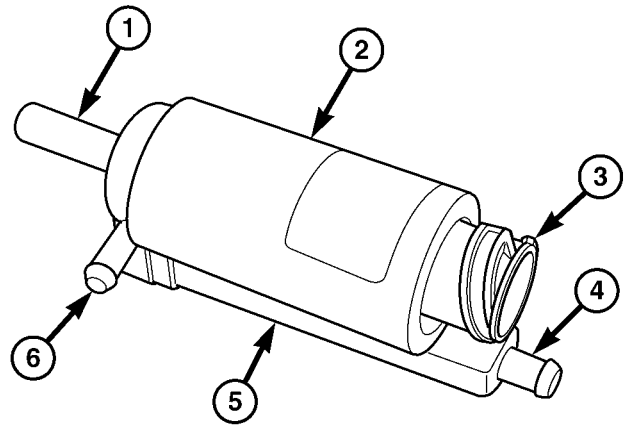
INSTALLATION

(1) Reconnect the hose to the barbed nipple of the washer nozzle (Fig. 16).
 (2) Using hand pressure, slide the washer nozzle onto the wiper arm until it snaps into place. Be cer-

tain the nozzle snap feature is engaged in the locator hole on the wiper arm.

WASHER PUMP / MOTOR

DESCRIPTION



810c74d7

Fig. 17 Washer Pump/Motor

- 1 - INLET NIPPLE
- 2 - WASHER PUMP/MOTOR
- 3 - CONNECTOR RECEPTACLE
- 4 - VENT NIPPLE (W/FLUID LEVEL SWITCH ONLY)
- 5 - WASHER FLUID LEVEL SWITCH HOUSING
- 6 - OUTLET NIPPLE

The washer pump/motor unit is located in a dedicated hole on the top of the sump area near the back of the windshield washer reservoir on the right front fender wheel house in the engine compartment (Fig. 17). A small permanently lubricated and sealed electric motor is coupled to the rotor-type washer pump. An inlet nipple on the bottom of the pump housing passes through a rubber grommet seal installed in the dedicated mounting hole in the washer reservoir. A small barbed outlet nipple near the bottom of the pump housing connects the unit to the washer hose. The washer pump/motor unit is retained on the reservoir by the interference fit between the inlet nipple and the grommet seal, which is a light press fit. An integral electrical connector receptacle is located on the top of the motor housing.

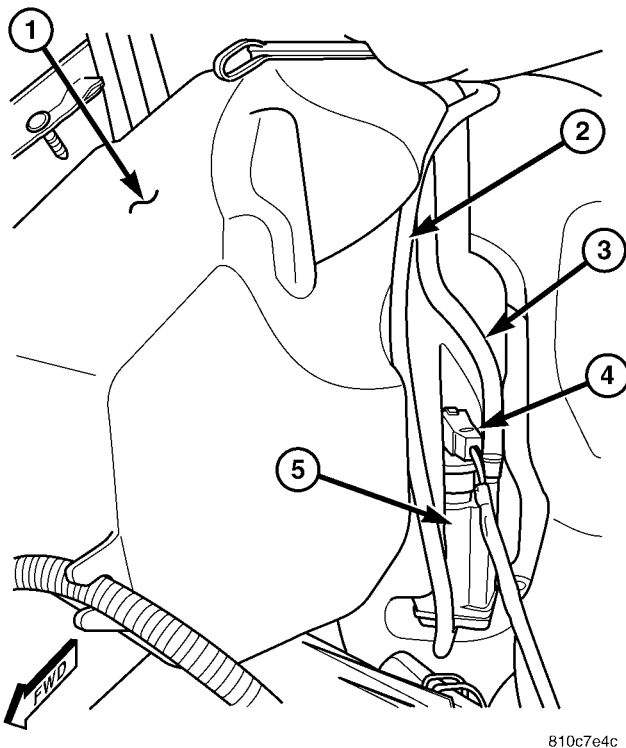
An optional version of the washer pump/motor unit incorporates an integral washer fluid level switch. This version can be distinguished from models without the switch by a vent nipple at the top of the switch housing that is connected to a vent hose that is retained in an integral clip behind the filler cap near the top of the reservoir, and by a third terminal pin in the washer pump/motor connector receptacle. The washer pump/motor unit cannot be repaired. If faulty or damaged, the entire washer pump/motor unit must be replaced.

OPERATION

The washer pump/motor unit is connected to the vehicle electrical system through a single take out and connector of the vehicle wire harness. The washer pump/motor is grounded at all times through a take out of the vehicle wire harness with a single eyelet terminal connector that is secured under a ground screw located near the right headlamp in the engine compartment. The washer pump/motor receives battery current on a washer switch sense circuit through the closed contacts of the momentary washer switch circuitry within the multi-function switch. When the pump motor is energized, the rotor-type pump pressurizes the washer fluid and forces it through the pump outlet nipple, the washer plumbing, and the washer nozzles onto the windshield glass. The washer pump/motor unit can be diagnosed using conventional diagnostic tools and methods.

REMOVAL

(1) Disconnect the vehicle wire harness connector for the washer pump/motor from the motor connector receptacle (Fig. 18).



810c7e4c

Fig. 18 Washer Pump/Motor Remove/Install

- 1 - WASHER RESERVOIR
- 2 - WASHER SUPPLY HOSE
- 3 - VENT HOSE (W/FLUID LEVEL SWITCH ONLY)
- 4 - WIRE HARNESS CONNECTOR
- 5 - WASHER PUMP/MOTOR

(2) Disconnect the washer supply hose from the barbed outlet nipple of the washer pump/motor and allow the washer fluid to drain into a clean container for reuse.

(3) If the vehicle is so equipped, disconnect the washer fluid level switch vent hose from the barbed vent nipple near the top of the washer pump/motor unit.

(4) Using hand pressure, firmly grasp and pull the washer pump out of the rubber grommet seal in the reservoir. Care must be taken not to damage the reservoir.

(5) Remove the rubber grommet seal from the washer pump mounting hole in the washer reservoir and discard.

INSTALLATION

(1) Install a new rubber grommet seal into the washer pump mounting hole in the washer reservoir. Always use a new rubber grommet seal on the reservoir.

(2) Position the inlet nipple of the washer pump to the rubber grommet seal in the reservoir.

(3) Using hand pressure, press firmly and evenly on the washer pump until the inlet nipple is fully seated in the rubber grommet seal in the washer reservoir mounting hole (Fig. 18).

(4) If the vehicle is so equipped, reconnect the washer fluid level switch vent hose to the barbed vent nipple at the top of the washer pump/motor housing.

(5) Reconnect the washer hose to the barbed outlet nipple of the washer pump.

(6) Reconnect the vehicle wire harness connector for the washer pump/motor unit to the motor connector receptacle.

(7) Refill the washer reservoir with the washer fluid drained from the reservoir during the removal procedure.

WASHER RESERVOIR

DESCRIPTION

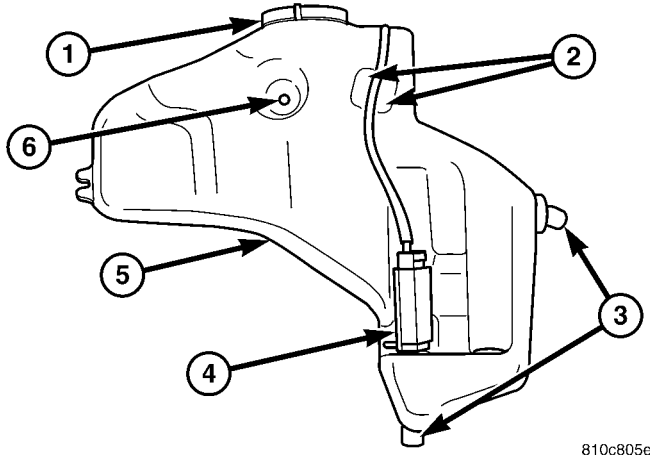


Fig. 19 Washer Reservoir

- 1 - CAP
- 2 - TROUGH (2)
- 3 - MOUNTING POST (2)
- 4 - WASHER PUMP/MOTOR
- 5 - RESERVOIR
- 6 - MOUNTING HOLE

The molded plastic washer fluid reservoir is located in the right rear corner of the engine compartment (Fig. 19). Two integral mounting posts, one on the bottom and one at the rear of the reservoir, each are engaged in rubber mounting grommets, one in the dash panel and one in the top of the right front wheel house. A single nut and washer secures an integral mounting hole near the top of the reservoir to a stud nut on the right inner fender shield. Also near the upper inboard side of the reservoir are two integral hose routing troughs, one for the standard washer supply hose and the second for the optional vent hose used when the washer pump/motor is equipped with an integral washer fluid level switch.

A molded blue plastic filler cap with an integral retainer ring and tether strap snaps over the open end of the filler neck, and hangs from the tether when it is removed for inspecting or adjusting the fluid level in the reservoir. There is a sump area near the bottom inboard side of the reservoir with a dedicated hole provided for the mounting of the washer/pump motor unit and rubber grommet seal.

The washer reservoir cannot be repaired and, if faulty or damaged, it must be replaced. The washer reservoir, the mounting grommets, the grommet seal for the washer pump/motor unit, and the filler cap are each available for service replacement.

OPERATION

The washer fluid reservoir provides a secure, on-vehicle storage location for a large reserve of

washer fluid for operation of the washer system. The washer reservoir filler neck provides a clearly marked and readily accessible point from which to add washer fluid to the reservoir. The washer/pump motor unit is located in a sump area near the bottom of the reservoir to be certain that washer fluid will be available to the pump as the fluid level in the reservoir becomes depleted. The optional washer fluid level switch is designed to provide adequate warning to the vehicle operator that the washer fluid level is low, before the washer system will no longer operate.

REMOVAL

- (1) Disconnect and isolate the battery negative cable.
- (2) Remove the upper turbocharger heat shield and the upper air cleaner housing from the engine compartment (Fig. 20).

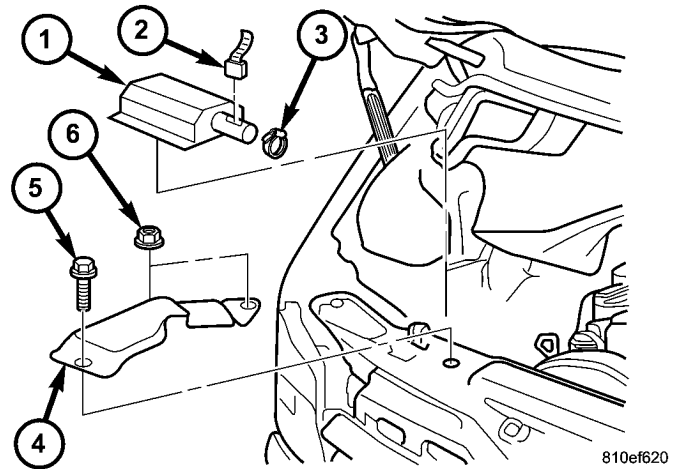


Fig. 20 Heat Shield & Air Cleaner Housing

- 1 - UPPER AIR CLEANER HOUSING
- 2 - VEHICLE WIRE HARNESS CONNECTOR
- 3 - CLAMP
- 4 - UPPER TURBO HEAT SHIELD
- 5 - SCREW
- 6 - NUT (2)

- (3) Disconnect the vehicle wire harness connector for the washer pump/motor unit from the motor connector receptacle.

- (4) Disengage the vehicle wire harness from the routing clip integral to the front of the washer reservoir (Fig. 21).

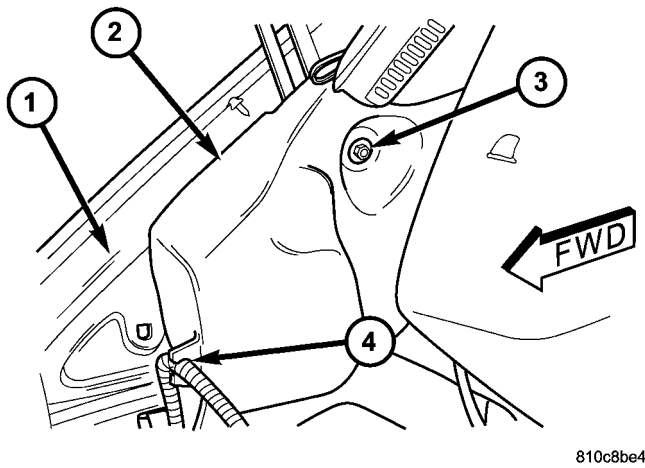


Fig. 21 Washer Reservoir Remove/Install

- 1 - RIGHT INNER FENDER
- 2 - WASHER RESERVOIR
- 3 - NUT & WASHER
- 4 - ROUTING CLIP

(5) Remove the washer supply hose from the barbed outlet nipple of the washer pump/motor and allow the washer fluid to drain into a clean container for reuse.

(6) Disengage the washer supply hose from the routing trough integral to the top of the washer reservoir.

(7) Remove the nut and washer that secures the top of the washer reservoir to the stud nut on the right inner fender.

(8) Pull the washer reservoir inboard far enough to disengage the reservoir from the stud nut.

(9) Tilt the washer reservoir forward far enough to disengage the rear mounting post from the grommet in the dash panel.

(10) Lift the washer reservoir upward far enough to disengage the lower mounting post from the grommet in the top of the right front wheel house.

(11) Remove the washer reservoir from the engine compartment.

INSTALLATION

(1) Position the washer reservoir into the engine compartment.

(2) Engage the lower mounting post of the washer reservoir into the grommet in the top of the right front wheel house (Fig. 22).

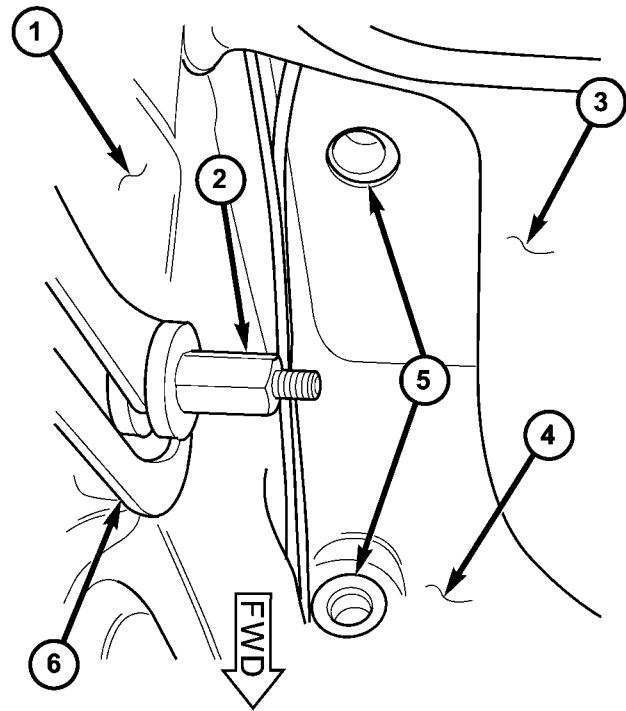


Fig. 22 Washer Reservoir Mounting

- 1 - RIGHT INNER FENDER
- 2 - STUD NUT
- 3 - DASH PANEL
- 4 - RIGHT FRONT WHEEL HOUSE
- 5 - GROMMET (2)
- 6 - HOOD PROP

(3) Engage the rear mounting post of the washer reservoir into the grommet in the dash panel.

(4) Position the washer reservoir mounting hole over the stud nut on the right inner fender (Fig. 21).

(5) Install and tighten the nut and washer that secures the top of the washer reservoir to the stud nut on the right inner fender. Tighten the nut to 6 N·m (50 in. lbs.).

(6) Reconnect the washer supply hose to the barbed outlet nipple of the washer pump/motor.

(7) Engage the washer supply hose into the routing trough integral to the top of the washer reservoir.

(8) Reconnect the vehicle wire harness connector for the washer pump/motor unit to the motor connector receptacle.

(9) Engage the vehicle wire harness into the routing clip integral to the front of the washer reservoir.

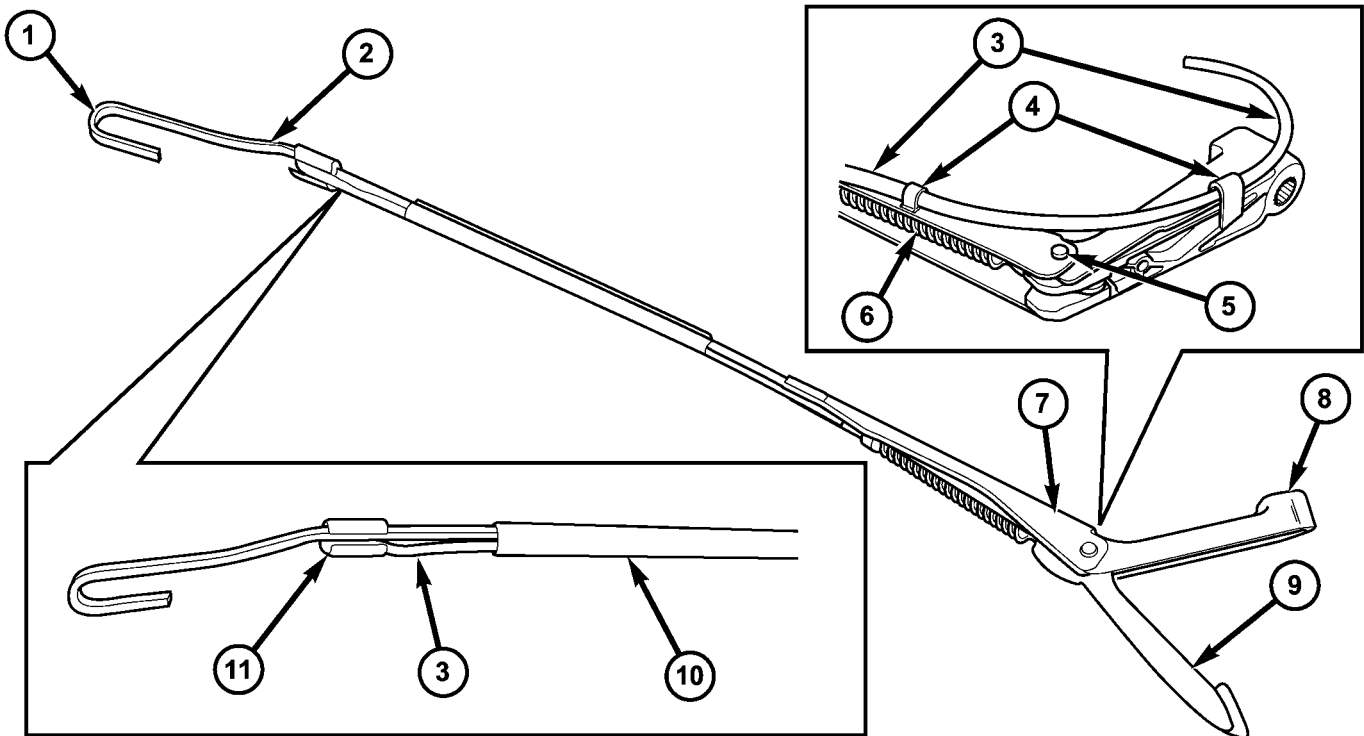
(10) Reinstall the upper turbocharger heat shield and the upper air cleaner housing into the engine compartment (Fig. 20).

(11) Refill the washer reservoir with the washer fluid drained from the reservoir during the removal procedure.

(12) Reconnect the battery negative cable.

WIPER ARM

DESCRIPTION



810c8eb6

Fig. 23 Wiper Arm

- | | |
|--------------------|--------------------|
| 1 - HOOK | 7 - CHANNEL |
| 2 - STRAP | 8 - COVER |
| 3 - WASHER HOSE | 9 - PIVOT END |
| 4 - BRACKET (2) | 10 - GUARD |
| 5 - HINGE PIN | 11 - WASHER NOZZLE |
| 6 - TENSION SPRING | |

The wiper arms are the rigid members located between the wiper pivots that protrude from the cowl top panel near the base of the windshield and the wiper blades on the windshield glass (Fig. 23). These wiper arms feature an over-center hinge that allows easy access to the windshield glass for cleaning. The wiper arm has a die cast metal pivot end with a large tapered mounting hole at one end. A removable molded black plastic pivot cover fits loosely over and pivots on the wiper arm hinge pin, then snaps over the pivot end to conceal the wiper arm retaining nut.

The wide end of a tapered, stamped steel channel hinges on and is secured with a hinge pin to the pivot end of the wiper arm. One end of a long, rigid, stamped steel strap, with a small hole near its pivot end, is riveted and crimped within the narrow end of the stamped steel channel. The tip of the wiper blade end of this strap is bent back under itself to form a small hook. Concealed within the stamped steel channel, one end of a long spring is engaged with a

wire hook on the underside of the die cast pivot end, while the other end of the spring is hooked through the small hole in the steel strap. The entire wiper arm has a satin black finish applied to all of its visible surfaces.

Near the hook of the wiper arm steel strap is a locating hole for the washer nozzle that is mounted on the wiper arm. A U-shaped molded plastic guard snaps onto the underside of the strap to conceal and protect the washer nozzle hose. There are also two small molded plastic washer nozzle hose routing brackets clipped onto the underside of the wiper arm pivot end.

The wiper arms for this model are unequal in length, with the longer arm being installed on the left (driver) side of the windshield. A wiper arm cannot be adjusted or repaired. If damaged or faulty, the entire wiper arm unit must be replaced. The washer nozzle, nozzle hose, routing brackets, and pivot end

cover are available for individual service replacement.

OPERATION

The wiper arms are designed to mechanically transmit the motion from the wiper pivots to the wiper blades. The wiper arm must be properly indexed to the wiper pivot in order to maintain the proper wiper blade travel on the glass. The tapered mounting hole in the wiper arm pivot end interlocks with the serrations on the outer circumference of the wiper pivot shaft, allowing positive engagement and finite adjustment of this connection. The mounting nut locks the wiper arm to the threaded end of the wiper pivot shaft. The spring-loaded wiper arm hinge controls the down-force applied through the tip of the wiper arm to the wiper blade on the glass. The hook formation on the tip of the wiper arm provides a cradle for securing and latching the wiper blade pivot block to the wiper arm.

REMOVAL

(1) Disconnect the washer nozzle hose from the elbow fitting on the cowl top panel near the pivot end of the wiper arm (Fig. 24).

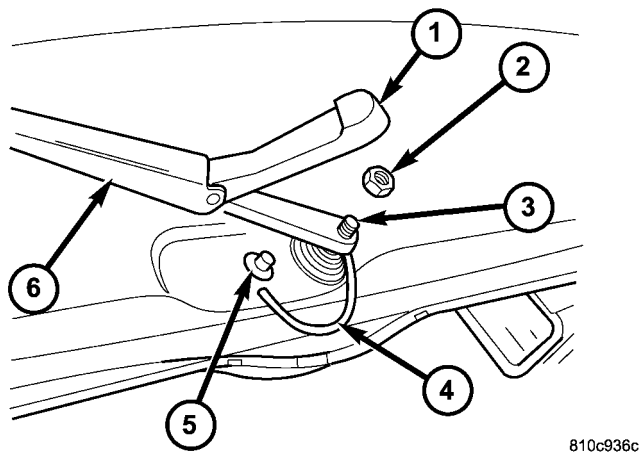


Fig. 24 Wiper Arm Remove/Install

- 1 - PIVOT COVER
- 2 - NUT
- 3 - PIVOT SHAFT
- 4 - WASHER NOZZLE HOSE
- 5 - ELBOW FITTING
- 6 - WIPER ARM

CAUTION: The use of a screwdriver or other prying tool to remove a wiper arm may distort it. This distortion could allow the arm to come off of the wiper pivot during wiper operation, regardless of how carefully it is reinstalled.

(2) Unsnap the end of the pivot cover from the wiper blade pivot end, then pull the cover away from the wiper arm hinge pin to remove the cover from the wiper blade.

(3) Remove the nut that secures the wiper arm to the wiper pivot shaft.

(4) If necessary, use a suitable battery terminal puller to disengage the wiper arm from the wiper pivot shaft (Fig. 25).

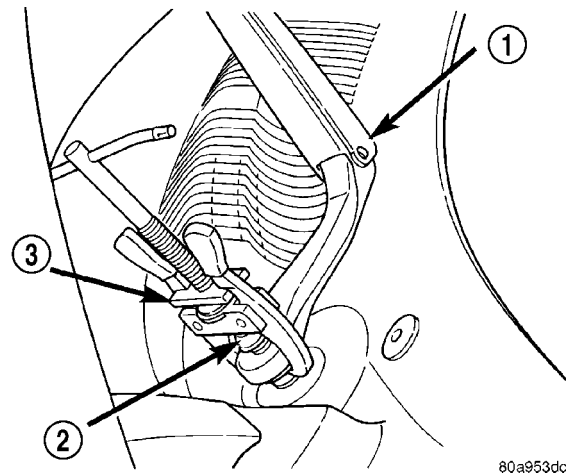


Fig. 25 Wiper Arm Puller - Typical

- 1 - WIPER ARM
- 2 - WIPER PIVOT SHAFT
- 3 - BATTERY TERMINAL PULLER

(5) Remove the wiper arm pivot end from the wiper pivot shaft.

INSTALLATION

NOTE: Be certain that the wiper motor is in the park position before attempting to install the wiper arms. Turn the ignition switch to the On position and move the right (wiper) control stalk of the multi-function switch to its Off position. If the wiper pivots move, wait until they stop moving, then turn the ignition switch back to the Off position. The wiper motor is now in its park position.

NOTE: The wiper arms and wiper blades for this model are both unequal in length, with the longer arm and blade being installed on the left (driver) side of the windshield.

(1) The wiper arms must be indexed to the wiper pivot shafts with the wiper motor in the park position to be properly installed. Position the wiper arm pivot ends onto the wiper pivots so that the lower edge of the wiper arm tip is aligned with the black wiper alignment line located near the lower edge of the windshield glass (Fig. 24).

(2) Once the wiper blade is aligned, lift the wiper arm away from the windshield slightly to relieve the spring tension on the pivot end and push the pivot hole in the pivot end of the arm down firmly and evenly over the wiper pivot shaft. Gently lower the wiper arm until the wiper blade rests on the glass.

(3) Install and tighten the nut that secures the wiper arm to the wiper pivot shaft. Tighten the nut to 24 N·m (18 ft. lbs.).

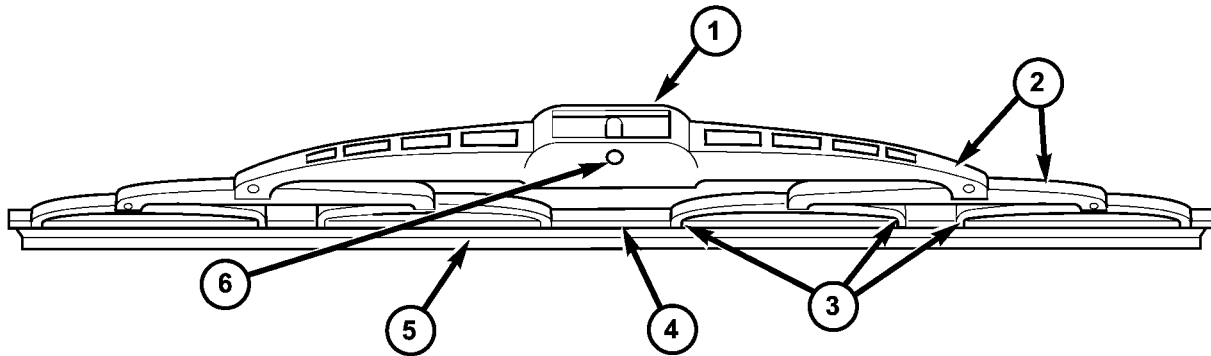
(4) Wet the windshield glass, then operate the wipers. Move the right (wiper) control stalk of the multi-function switch to the Off position, then check for the correct wiper arm position and readjust as required.

(5) Engage the pivot cover with the wiper arm hinge pin, then push the pivot end of the cover down firmly and evenly until it snaps over the wiper blade pivot end.

(6) Reconnect the washer nozzle hose to the elbow fitting on the cowl top panel near the pivot end of the wiper arm.

WIPER BLADE

DESCRIPTION



810c9937

Fig. 26 Wiper Blade

1 - PIVOT BLOCK
2 - SUPERSTRUCTURE
3 - CLAWS

4 - FLEXOR
5 - ELEMENT
6 - PIVOT PIN

Each wiper blade is secured by an integral latching pivot block to the hook formation on the tip of the wiper arm, and rests on the glass near the base of the windshield when the wipers are not in operation (Fig. 26). The wiper blade consists of the following components:

- **Superstructure** - The superstructure includes several stamped steel bridges and links with claw formations that grip the wiper blade element. Also included in this unit is the latching, molded plastic pivot block that secures the superstructure to the wiper arm. All of the metal components of the wiper blade have a satin black finish applied.

- **Element** - The wiper element or squeegee is the resilient rubber member of the wiper blade that contacts the glass.

- **Flexor** - The flexor is a rigid metal component running along the length of the wiper element on each side, where it is gripped by the claws of the superstructure.

All Sprinter models have unequal length wiper blades with non-replaceable rubber elements (squeegees). The left (driver) side wiper blade is 60.0 centimeters (23.5 inches), and the right (passenger) side wiper blade is 55.0 centimeter (21.5 inches). These wiper blades also include an anti-lift feature. The wiper blades cannot be adjusted or repaired. If faulty, worn, or damaged the entire wiper blade unit must be replaced.

OPERATION

The wiper blades are moved back and forth across the glass by the wiper arms when the wipers are being operated. The wiper blade superstructure is

the flexible frame that grips the wiper blade element and evenly distributes the force of the spring-loaded wiper arm along the length of the element. The combination of the wiper arm force and the flexibility of the superstructure makes the element conform to and maintain proper contact with the glass, even as the blade is moved over the varied curvature that may be encountered across the glass surface. The wiper element flexor provides the claws of the blade superstructure with a rigid, yet flexible component on the element which can be gripped. The rubber element is designed to be stiff enough to maintain an even cleaning edge as it is drawn across the glass, but resilient enough to conform to the glass surface and flip from one cleaning edge to the other each time the wiper blade changes directions.

REMOVAL

NOTE: The wiper arms and wiper blades for this model are both unequal in length, with the longer arm and blade being installed on the left (driver) side of the windshield.

- (1) Turn the wiper control knob on the end of the multi-function switch control stalk to the On position. Cycle the wiper blades to a convenient working location on the windshield by turning the ignition switch to the On and Off positions.

- (2) Lift the wiper arm to raise the wiper blade and element off of the glass, until the wiper arm hinge is in its over-center position.

- (3) To remove the wiper blade from the wiper arm, depress the pivot block latch release tab under the tip of the arm and slide the blade away from the tip

towards the pivot end of the arm far enough to disengage the pivot block from the hook formation on the end of the arm (Fig. 27).

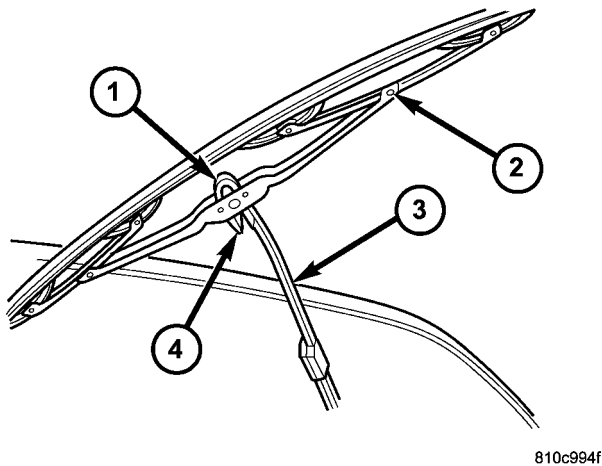


Fig. 27 Wiper Blade Remove/Install

- 1 - HOOK
- 2 - WIPER BLADE
- 3 - WIPER ARM
- 4 - RELEASE TAB

(4) Extract the hook formation on the tip of the wiper arm from the opening in the wiper blade superstructure ahead of the wiper blade pivot block/latch unit.

CAUTION: Do not allow the wiper arm to spring back against the glass without the wiper blade in place or the glass may be damaged.

(5) Gently lower the wiper arm tip onto the glass.

INSTALLATION

NOTE: The wiper arms and wiper blades for this model are both unequal in length, with the longer arm and blade being installed on the left (driver) side of the windshield.

(1) Lift the wiper arm off of the windshield glass, until the wiper arm hinge is in its over-center position.

(2) Position the wiper blade near the hook formation on the tip of the arm.

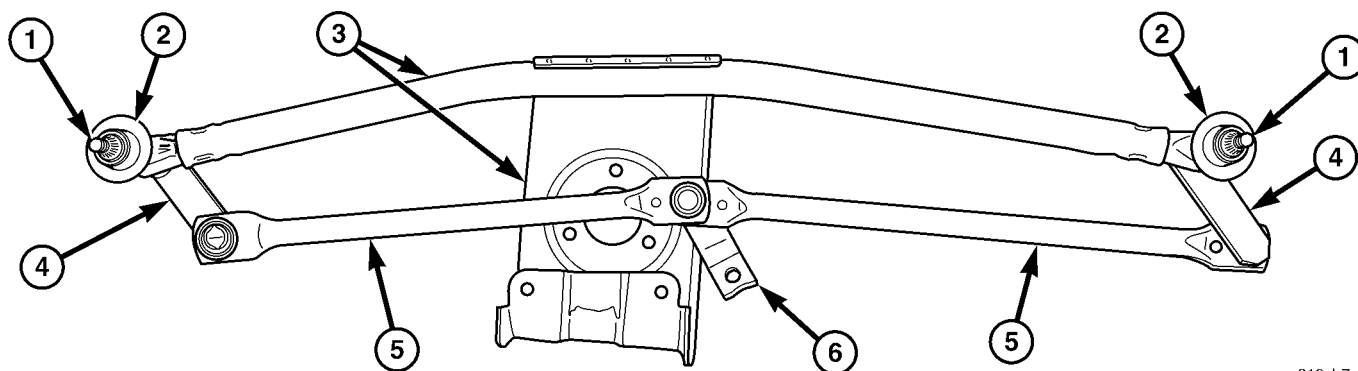
(3) Insert the hook formation on the tip of the wiper arm through the opening in the wiper blade superstructure ahead of the wiper blade pivot block/latch unit far enough to engage the pivot block with the hook (Fig. 27).

(4) Slide the wiper blade pivot block/latch up into the hook formation on the tip of the wiper arm until the latch release tab snaps into its locked position. Latch engagement will be accompanied by an audible click.

(5) Gently lower the wiper blade onto the glass.

WIPER LINKAGE

DESCRIPTION



810cb7a1

Fig. 28 Wiper Linkage Module

1 - PIVOT SHAFT (2)
 2 - PIVOT SHAFT HOUSING (2)
 3 - MODULE BRACKET

4 - PIVOT CRANK ARM (2)
 5 - DRIVE LINK (2)
 6 - MOTOR CRANK ARM

The wiper linkage and pivots are concealed within the engine compartment below the cowl top panel (Fig. 28). The ends of the wiper pivot shafts that protrude through dedicated openings in the cowl top panel to drive the wiper arms and blades are the only visible components of the wiper linkage module. The wiper linkage module consists of the following major components:

- **Linkage** - The two wiper drive links are each constructed of stamped steel. The left (driver) side drive link has a plastic socket-type bushing in one end, and a plastic sleeve-type bushing in the other end. The socket bushing is snap-fit over the ball stud on the left pivot crank arm, while the sleeve bushing is fit over the longer ball stud on the wiper motor crank arm. The right (passenger) side drive link has a plastic socket-type bushing on each end. One end of this drive link is snap-fit over the exposed end of the longer ball stud on the wiper motor crank arm and captures the sleeve bushing end of the left drive link beneath it, while the other end is snap-fit over the ball stud on the right pivot crank arm.

- **Module Bracket** - The linkage module bracket consists of a long tubular steel main member that is crimped to a molded plastic pivot bracket at each end where the wiper pivots are secured. A stamped steel mounting plate for the wiper motor is secured with welds near the center of the main member and is then secured with screws to the underside of the cowl top panel.

- **Motor Crank Arm** - The wiper motor crank arm is a stamped steel unit with a round hole on the driven end that is secured to the wiper motor output

shaft with a nut, and a long ball stud secured to the drive end.

- **Pivot** - The two molded plastic wiper pivot brackets are secured to the ends of the linkage module bracket tubular member. The crank arms that extend from the bottom of the pivot shafts each have a ball stud on their end. The upper end of each pivot shaft where the wiper arms will be fastened each is tapered and externally serrated with a threaded stud at the top where the wiper arms are secured by a nut. Each pivot shaft operates within a housing formed in the pivot bracket featuring a large external flange near its center and external threads near the top. The pivot housings are secured to the outer surface of the cowl top panel by a large washer and a nut threaded onto the outside of the housing where it protrudes through the cowl top.

The wiper linkage module cannot be adjusted or repaired. If any component of the linkage module is faulty or damaged, the entire wiper linkage module unit must be replaced.

OPERATION

The wiper linkage operation is controlled by the output of the wiper motor through the wiper motor crank arm. The wiper motor crank arm, the two wiper drive links, and the two wiper pivots mechanically convert the rotary output of the wiper motor to the back and forth wiping motion of the wiper arms and blades on the glass.

REMOVAL

(1) Disconnect and isolate the battery negative cable.

(2) Remove the wiper arms from the wiper pivots.
(Refer to 8 - ELECTRICAL/WIPERS/WASHERS/
WIPER ARM - REMOVAL).

(3) Remove the five nuts that secure the ventila-
tion housing to the dash panel and the underside of
the cowl top panel (Fig. 29).

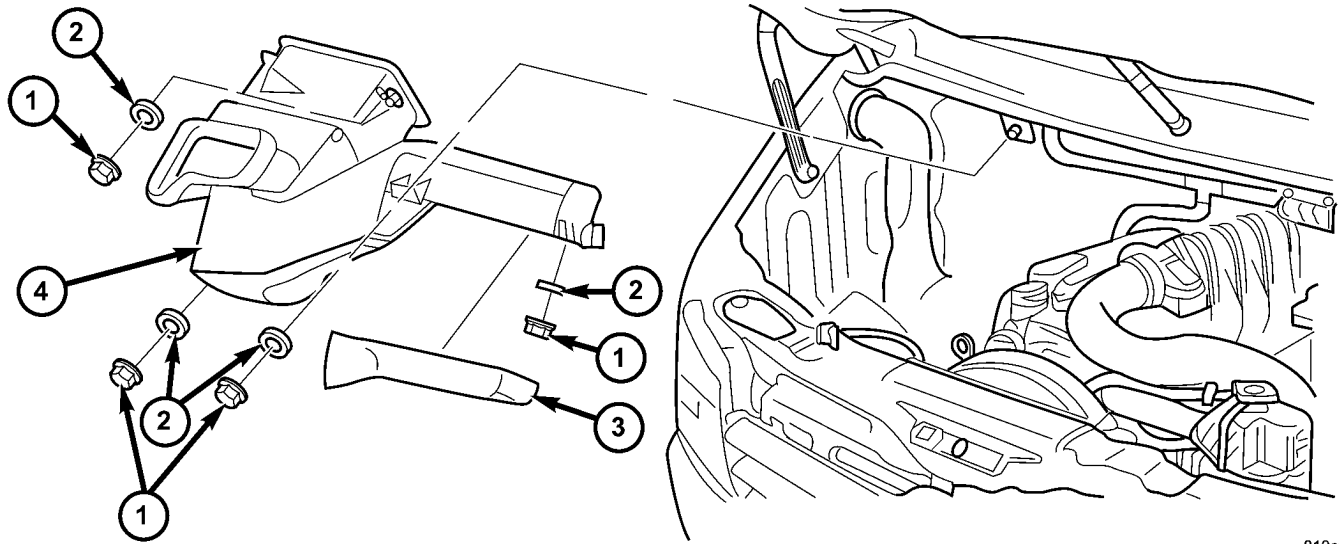


Fig. 29 Ventilation Housing

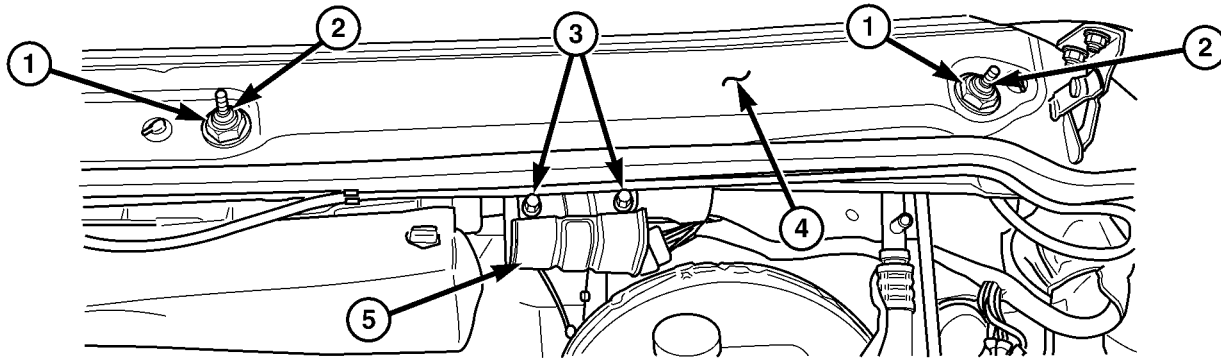
1 - NUT (5)
2 - WASHER (5)

3 - CABIN FILTER HOUSING
4 - VENTILATION HOUSING

(4) Pull the ventilation housing forward far enough to disengage the housing from the studs on the dash panel, then lower the housing until it rests on the top of the engine.

(5) Disconnect the wiper motor pigtail wire connector from the vehicle wire harness connector.

(6) Remove the nut and washer that secures each wiper pivot housing to the outside of the cowl top panel (Fig. 30).



810cc4b3

Fig. 30 Wiper Linkage Module Remove/Install

- 1 - NUT & WASHER (2)
- 2 - PIVOT (2)
- 3 - SCREW (2)

- 4 - COWL TOP PANEL
- 5 - MOTOR BRACKET

(7) Remove the two screws that secure the wiper linkage module motor bracket to the flange on the underside of the cowl top panel.

(8) Remove the wiper linkage module and wiper motor from the underside of the cowl top panel as a unit.

(9) Remove the wiper motor from the wiper linkage module. (Refer to 8 - ELECTRICAL/WIPERS/WASHERS/WIPER MOTOR - REMOVAL).

INSTALLATION

(1) Reinstall the wiper motor onto the wiper linkage module. (Refer to 8 - ELECTRICAL/WIPERS/WASHERS/FRONT WIPER MOTOR - INSTALLATION).

(2) Carefully position the wiper linkage module and wiper motor to the underside of the cowl top panel as a unit (Fig. 30).

(3) Install and tighten the two screws that secure the wiper linkage module motor bracket to the flange on the underside of the cowl top panel. Tighten the screws to 6 N·m (50 in. lbs.).

(4) Install and tighten the nut and washer that secures each wiper pivot housing to the outside of the cowl top panel.

(5) Reconnect the wiper motor pigtail wire connector to the vehicle wire harness connector.

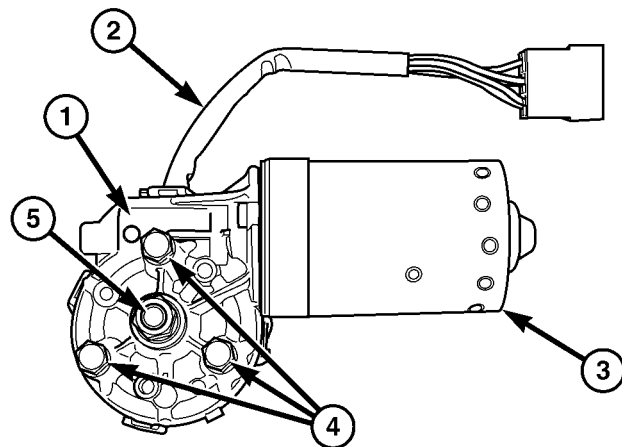
(6) Reinstall the ventilation housing onto the dash panel and the underside of the cowl top panel (Fig. 29).

(7) Reinstall the wiper arms onto the wiper pivots. (Refer to 8 - ELECTRICAL/WIPERS/WASHERS/WIPER ARM - INSTALLATION).

(8) Reconnect the battery negative cable.

WIPER MOTOR

DESCRIPTION



810cc566

Fig. 31 Wiper Motor

- 1 - TRANSMISSION
- 2 - PIGTAIL WIRE
- 3 - MOTOR
- 4 - SCREW (3)
- 5 - OUTPUT SHAFT

The wiper motor is secured with three screws to a motor bracket integral to the wiper linkage module bracket located below the cowl top panel in the engine compartment (Fig. 31). The wiper motor output shaft passes through a hole in the motor bracket, where a nut secures the wiper motor crank arm to the motor output shaft. The two-speed permanent magnet wiper motor features an integral transmission, an internal park switch, and an internal Positive Temperature Coefficient (PTC) circuit breaker.

The wiper motor cannot be adjusted or repaired. If any component of the motor is faulty or damaged, the entire wiper motor unit must be replaced.

OPERATION

The wiper motor operation is controlled by the vehicle operator through battery current inputs received by the wiper motor from the wiper switch circuitry of the multi-function switch on the top of the steering column, and from the wiper relay on the fuse block underneath the steering column. The wiper motor speed is controlled by current flow to either the low speed or the high speed set of brushes. The automatic resetting circuit breaker protects the motor from overloads.

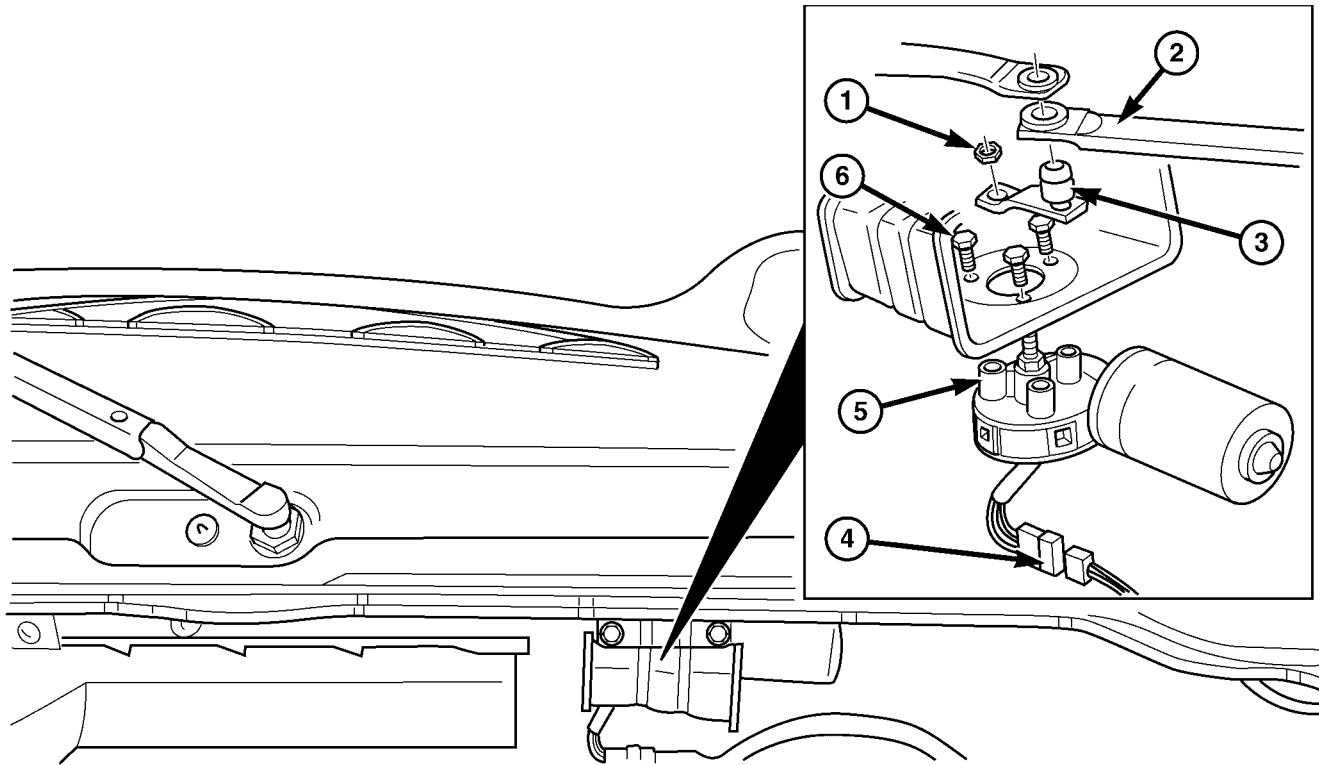
The park switch consists of a contact disc and three contacts. The contact disc is mechanically fastened to and rotated with a gear in the wiper motor transmission. Two input contacts alternately close the wiper park switch sense output circuit contact to ground or to battery current, depending upon the position of the wipers on the glass. This feature allows the intermittent wipe logic circuit to monitor the position and the cycles of the wiper motor to provide the intermittent wipe and wipe-after-wash modes, as well as allowing the motor to complete its current wipe cycle after the wiper system has been turned Off and park the wiper blades in the lowest portion of the wipe pattern.

The wiper motor may be diagnosed using conventional diagnostic tools and methods.

REMOVAL

(1) Disconnect and isolate the battery negative cable.

(2) Disconnect the vehicle wire harness connector for the wiper motor from the motor pigtail wire connector (Fig. 32).



810ccb7

Fig. 32 Wiper Motor Remove/Install

- 1 - NUT
- 2 - LINK (2)
- 3 - MOTOR CRANK ARM

- 4 - PIGTAIL WIRE CONNECTOR
- 5 - WIPER MOTOR
- 6 - SCREW (3)

(3) Remove the nut that secures the motor crank arm to the wiper motor output shaft.

(4) If this wiper motor is to be reinstalled, make an index mark between the wiper motor output shaft and the motor crank arm using a suitable marker.

(5) Disengage the motor crank arm from the wiper motor output shaft.

(6) Remove the three screws that secure the wiper motor to the wiper linkage module motor bracket.

(7) Remove the wiper motor from the wiper linkage module motor bracket.

INSTALLATION

(1) Position the wiper motor to the underside of the wiper linkage module motor bracket (Fig. 32).

(2) Install and tighten the three screws that secure the wiper motor to the wiper linkage module motor bracket. Tighten the screws to 12 N·m (105 in. lbs.).

(3) If this wiper motor is being reinstalled, position the motor crank arm on the wiper motor output shaft so that the index marks made during the removal procedure are aligned. If this is a new wiper motor installation, the motor crank arm should be installed

so that it is pointed toward the left (driver) side of the vehicle and parallel with the two wiper drive links while both wiper blades are positioned on their alignment marks near the lower edge of the windshield glass.

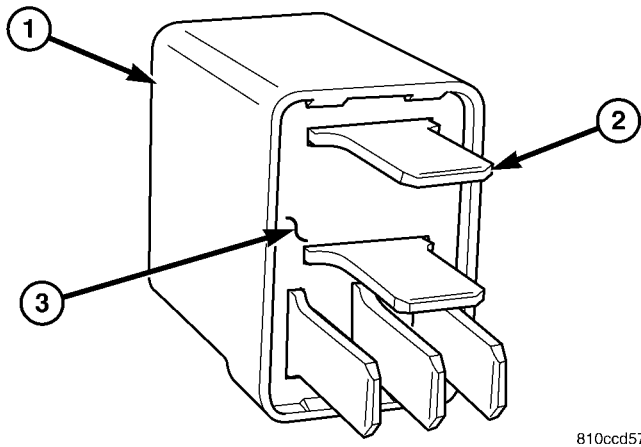
(4) Install and tighten the nut that secures the motor crank arm to the wiper motor output shaft. Tighten the nut to 12 N·m (105 in. lbs.).

(5) Reconnect the vehicle wire harness connector for the wiper motor to the motor pigtail wire connector.

(6) Reconnect the battery negative cable.

WIPER RELAY

DESCRIPTION



810ccd57

Fig. 33 Wiper Relay

- 1 - HOUSING
2 - TERMINAL (5)
3 - BASE

A wiper relay is standard equipment on all models. The wiper relay (or intermittent wipe relay) is located in a dedicated receptacle on the bottom left of the fuse block on the underside of the steering column (Fig. 33). The wiper relay is a conventional International Standards Organization (ISO) micro relay. Relays conforming to the ISO specifications have common physical dimensions, current capacities, terminal patterns, and terminal functions. The relay is contained within a small, rectangular, molded plastic housing. The relay is connected to all of the required inputs and outputs through the instrument panel wire harness connector by five male spade-type terminals that extend from the bottom of the relay base. The ISO designation for each terminal is molded into the base adjacent to the terminal. The ISO terminal designations are as follows:

- **30 (Common Feed)** - This terminal is connected to the movable contact point of the relay.
- **85 (Coil Ground)** - This terminal is connected to the ground feed side of the relay control coil.
- **86 (Coil Battery)** - This terminal is connected to the battery feed side of the relay control coil.
- **87 (Normally Open)** - This terminal is connected to the normally open fixed contact point of the relay.
- **87A (Normally Closed)** - This terminal is connected to the normally closed fixed contact point of the relay.

The wiper relay cannot be adjusted or repaired. If the relay is damaged or faulty, it must be replaced.

OPERATION

The wiper relay (or intermittent wipe relay) is an electromechanical switch that uses a low current input from the intermittent wipe logic circuitry within the fuse block underneath the steering column to control a high current output to the low speed brush of the wiper motor. The movable common feed contact point is held against the fixed normally closed contact point by spring pressure. When the relay coil is energized, an electromagnetic field is produced by the coil windings. This electromagnetic field draws the movable relay contact point away from the fixed normally closed contact point, and holds it against the fixed normally open contact point. When the relay coil is de-energized, spring pressure returns the movable contact point back against the fixed normally closed contact point. A resistor or diode is connected in parallel with the relay coil in the relay, and helps to dissipate voltage spikes and electromagnetic interference that can be generated as the electromagnetic field of the relay coil collapses.

The wiper relay terminals are connected to the vehicle electrical system through a connector receptacle in the fuse block. The inputs and outputs of the wiper relay include:

- The common feed terminal (30) provides an output to the wiper motor low speed brush through the wiper control circuitry of the multi-function switch on the steering column. When the wiper relay is de-energized, the common feed terminal is connected to the input of the relay normally closed terminal (87). When the wiper relay is energized, the common feed terminal is connected to the input of the relay normally open terminal (87A).
- The coil ground terminal (85) is connected to battery current through a fused ignition switch output circuit whenever the ignition switch is in the On position.
- The coil battery terminal (86) is connected to the relay control output of the wiper, turn signals and engine start control module within the fuse block through the wiper relay control circuit. This electronic circuitry controls the ground path for this circuit internally to energize or de-energize the wiper relay control coil based upon its programming and inputs from the wiper and washer control circuitry of the multi-function switch, the wiper motor park switch, and the ignition switch.

- The normally open terminal (87) is connected to the output of the wiper motor park switch through the wiper motor park switch sense circuit. This circuit can carry either battery current (wipers are not in park position) or ground (wipers are in park position), depending upon the status of the wiper park switch.

- The normally closed terminal (87A) is connected to battery current through a fused ignition switch output circuit whenever the ignition switch is in the On position.

The wiper relay can be diagnosed using conventional diagnostic tools and methods.

REMOVAL

WARNING: To avoid personal injury or death, on vehicles equipped with airbags, disable the supplemental restraint system before attempting any steering wheel, steering column, airbag, seat belt tensioner, or instrument panel component diagnosis or service. Disconnect and isolate the battery negative (ground) cable, then wait two minutes for the system capacitor to discharge before performing further diagnosis or service. This is the only sure way to disable the supplemental restraint system. Failure to take the proper precautions could result in accidental airbag deployment.

- (1) Disconnect and isolate the battery negative cable.
- (2) Remove the fuse access panel from the steering column opening cover below the steering column on the instrument panel.
- (3) Reach through and below the outboard side of the fuse access opening to access the wiper relay (Fig. 34).

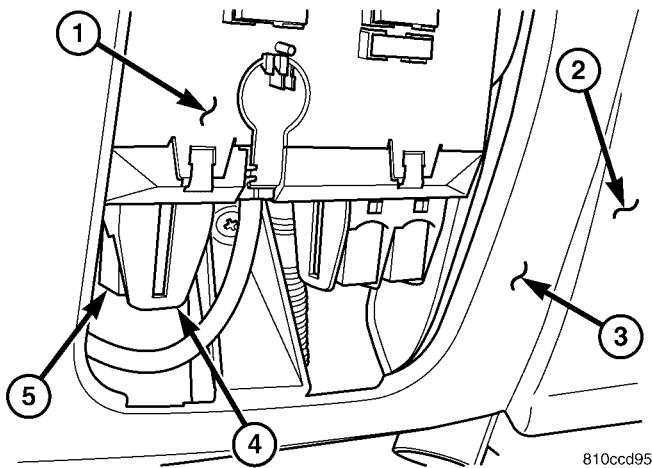


Fig. 34 Wiper Relay Remove/Install

- 1 - FUSE BLOCK
- 2 - LOWER INSTRUMENT PANEL
- 3 - STEERING COLUMN COVER
- 4 - LATCH (2)
- 5 - WIPER RELAY

(4) Remove the wiper relay by grasping it firmly, releasing the latches and pulling it straight down from the receptacle on the bottom of the fuse block.

INSTALLATION

WARNING: To avoid personal injury or death, on vehicles equipped with airbags, disable the supplemental restraint system before attempting any steering wheel, steering column, airbag, seat belt tensioner, or instrument panel component diagnosis or service. Disconnect and isolate the battery negative (ground) cable, then wait two minutes for the system capacitor to discharge before performing further diagnosis or service. This is the only sure way to disable the supplemental restraint system. Failure to take the proper precautions could result in accidental airbag deployment.

- (1) Position the wiper relay to the receptacle on the bottom of the fuse block (Fig. 34).
- (2) Align the wiper relay terminals with the terminal cavities in the fuse block receptacle.
- (3) Push firmly and evenly on the top of the wiper relay until the terminals are fully seated in the terminal cavities in the receptacle of the fuse block and both latches are fully engaged.
- (4) Reinstall the fuse access panel onto the steering column opening cover below the steering column on the instrument panel.
- (5) Reconnect the battery negative cable.

WIRING

TABLE OF CONTENTS

	page		page
WIRING DIAGRAM INFORMATION	8W-01-1	CENTRAL TIMER MODULE	8W-45-1
COMPONENT INDEX	8W-02-1	AUDIO SYSTEM	8W-47-1
POWER DISTRIBUTION	8W-10-1	REAR WINDOW DEFOGGER	8W-48-1
FUSE BLOCK	8W-11-1	FRONT LIGHTING	8W-50-1
GROUND DISTRIBUTION	8W-15-1	REAR LIGHTING	8W-51-1
BUS COMMUNICATIONS	8W-18-1	TURN SIGNALS	8W-52-1
CHARGING SYSTEM	8W-20-1	WIPERS	8W-53-1
STARTING SYSTEM	8W-21-1	TRAILER TOW	8W-54-1
FUEL/IGNITION SYSTEM	8W-30-1	NAVIGATION/TELECOMMUNICATIONS	8W-55-1
TRANSMISSION CONTROL SYSTEM	8W-31-1	POWER WINDOWS	8W-60-1
VEHICLE SPEED CONTROL	8W-33-1	POWER DOOR LOCKS	8W-61-1
ANTILOCK BRAKES	8W-35-1	POWER MIRRORS	8W-62-1
VEHICLE THEFT SECURITY SYSTEM	8W-39-1	POWER SEATS	8W-63-1
INSTRUMENT CLUSTER	8W-40-1	SPLICE INFORMATION	8W-70-1
HORN/CIGAR LIGHTER	8W-41-1	CONNECTOR PIN-OUTS	8W-80-1
AIR CONDITIONING-HEATER	8W-42-1	CONNECTOR/GROUND/SPLICE	
AIRBAG SYSTEM	8W-43-1	LOCATION	8W-91-1
INTERIOR LIGHTING	8W-44-1	POWER DISTRIBUTION	8W-97-1



8W-01 WIRING DIAGRAM INFORMATION

TABLE OF CONTENTS

	page		page
WIRING DIAGRAM INFORMATION		TESTING COMPONENTS FOR A SHORT TO GROUND ON A FUSE POWERING SEVERAL LOADS	
DESCRIPTION		TESTING FOR A VOLTAGE DROP	8
HOW TO USE WIRING DIAGRAMS	1	CONNECTOR	
CIRCUIT INFORMATION	5	REMOVAL	9
SECTION IDENTIFICATION AND INFORMATION	5	INSTALLATION	9
CONNECTOR, GROUND, AND SPLICE INFORMATION	5	DIODE	
WARNINGS - GENERAL	6	REMOVAL	9
DIAGNOSIS AND TESTING		INSTALLATION	9
WIRING HARNESS	6	TERMINAL	
STANDARD PROCEDURE		REMOVAL	10
ELECTROSTATIC DISCHARGE (ESD) SENSITIVE DEVICES	7	INSTALLATION	10
TESTING FOR VOLTAGE POTENTIAL	7	WIRE	
TESTING FOR CONTINUITY	7	STANDARD PROCEDURE	
TESTING FOR A SHORT TO GROUND	8	WIRE SPLICING	10

WIRING DIAGRAM INFORMATION

DESCRIPTION

HOW TO USE WIRING DIAGRAMS

DaimlerChrysler Corporation wiring diagrams are designed to provide information regarding the vehicles wiring content. In order to effectively use the wiring diagrams to diagnose and repair DaimlerChrysler Corporation vehicles, it is important to understand all of their features and characteristics.

Diagrams are arranged such that the power (B+) side of the circuit is placed near the top of the page, and the ground (B-) side of the circuit is placed near the bottom of the page (Fig. 1).

All switches, components, and modules are shown in the at rest position with the doors closed and the key removed from the ignition (Fig. 2).

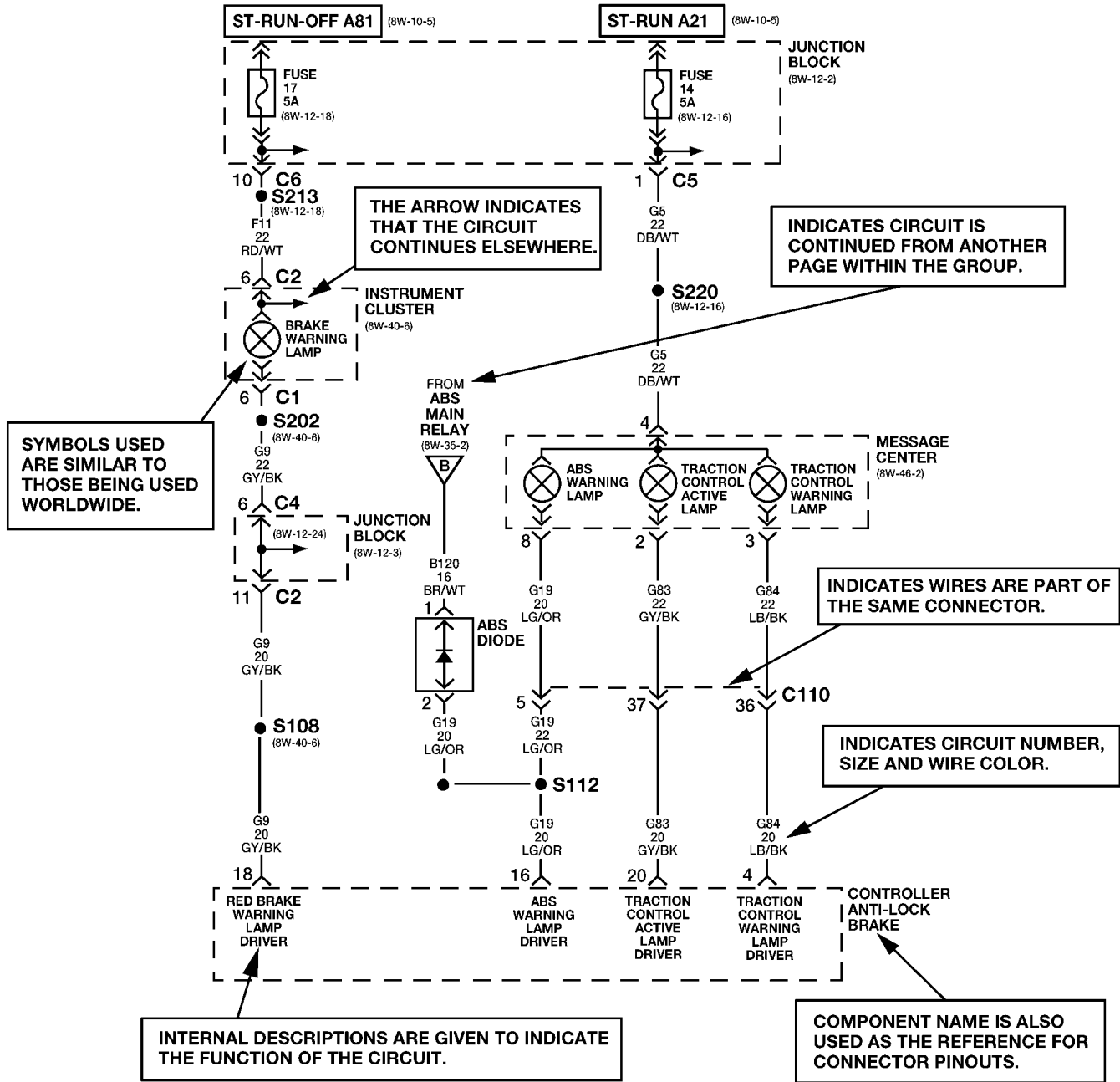
Components are shown two ways. A solid line around a component indicates that the component is complete. A dashed line around the component indicates that the component is being shown is not complete. Incomplete components have a reference number to indicate the page where the component is shown complete.

It is important to realize that no attempt is made on the diagrams to represent components and wiring as they appear on the vehicle. For example, a short piece of wire is treated the same as a long one. In addition, switches and other components are shown as simply as possible, with regard to function only.

SYMBOLS

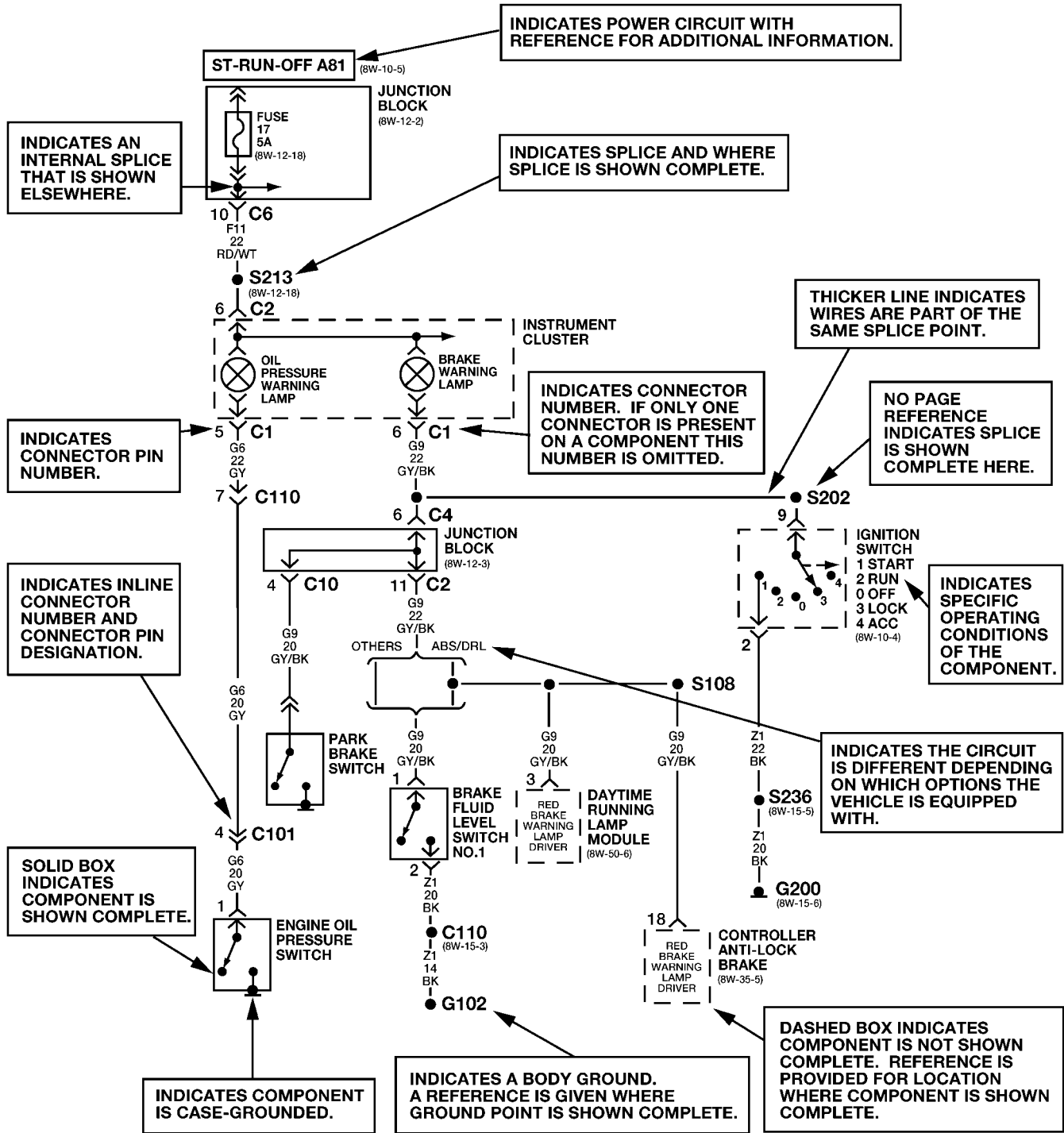
International symbols are used throughout the wiring diagrams. These symbols are consistent with those being used around the world (Fig. 3).

DIAGRAMS ARE ARRANGED WITH THE POWER B+ SIDE OF THE CIRCUIT NEAR THE TOP OF THE PAGE, AND THE GROUND SIDE OF THE CIRCUIT NEAR THE BOTTOM OF THE PAGE.



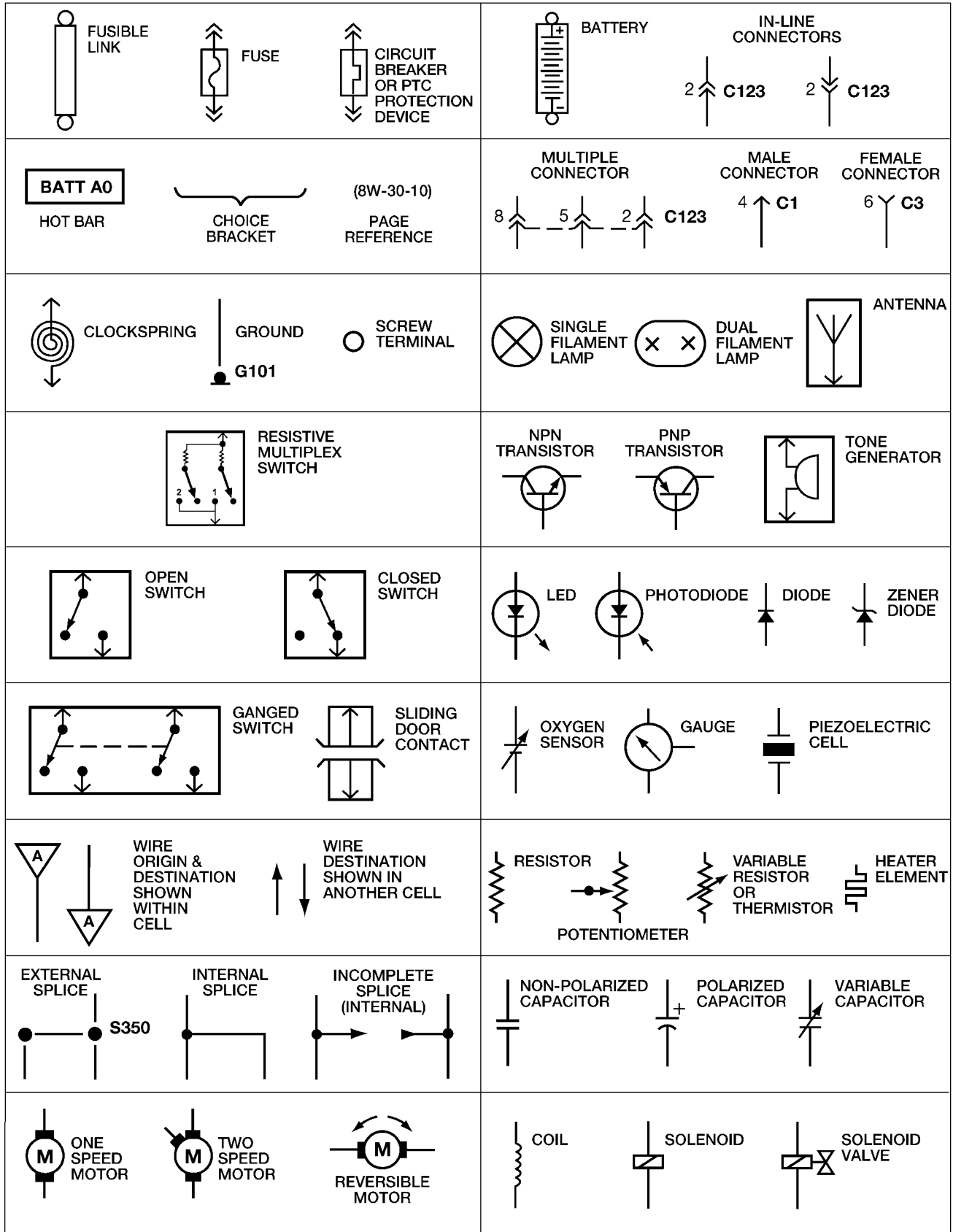
The System shown here is an EXAMPLE ONLY. It does not represent the actual circuit shown in the WIRING DIAGRAM SECTION.

Fig. 1 WIRING DIAGRAM EXAMPLE 1



The System shown here is an EXAMPLE ONLY. It does not represent the actual circuit shown in the WIRING DIAGRAM SECTION.

Fig. 2 WIRING DIAGRAM EXAMPLE 2



80910c6b

Fig. 3 Wiring Diagram Symbols

TERMINOLOGY

This is a list of terms and definitions used in the wiring diagrams.

- LHD Left Hand Drive Vehicles
- RHD Right Hand Drive Vehicles
- ATX . . Automatic Transmissions-Front Wheel Drive
- MTX . . . Manual Transmissions-Front Wheel Drive
- AT Automatic Transmissions-Rear Wheel Drive
- MT Manual Transmissions-Rear Wheel Drive
- SOHC Single Over Head Cam Engine
- DOHC Double Over Head Cam Engine
- Built-Up-Export Vehicles Built For Sale In
Markets Other Than North America
- Except Built-Up-Export . Vehicles Built For Sale In
North America

CIRCUIT INFORMATION

Each wire shown in the diagrams contains a code which identifies gage of wire, and color.

WIRE COLOR CODE CHART

COLOR CODE	COLOR
BL	BLUE
BK	BLACK
BR	BROWN
DB	DARK BLUE
DG	DARK GREEN
GY	GRAY
LB	LIGHT BLUE
LG	LIGHT GREEN
OR	ORANGE
PK	PINK
RD	RED
TN	TAN
VT	VIOLET
WT	WHITE
YL	YELLOW
*	WITH TRACER

SECTION IDENTIFICATION AND INFORMATION

The wiring diagrams are grouped into individual sections. If a component is most likely found in a particular group, it will be shown complete (all wires, connectors, and pins) within that group. For example, the Auto Shutdown Relay is most likely to be found in Group 30, so it is shown there complete. It can, however, be shown partially in another group if it contains some associated wiring.

Splice diagrams in Section 8W-70 show the entire splice and provide references to other sections the

splices serves. Section 8W-70 only contains splice diagrams that are not shown in their entirety somewhere else in the wiring diagrams.

Section 8W-80 shows each connector and the circuits involved with that connector. The connectors are identified using the name/number on the diagram pages.

WIRING SECTION CHART

GROUP	TOPIC
8W-01 thru 8W-09	General information and Diagram Overview
8W-10 thru 8W-19	Main Sources of Power and Vehicle Grounding
8W-20 thru 8W-29	Starting and Charging
8W-30 thru 8W-39	Powertrain/Drivetrain Systems
8W-40 thru 8W-49	Body Electrical items and A/C
8W-50 thru 8W-59	Exterior Lighting, Wipers and Trailer Tow
8W-60 thru 8W-69	Power Accessories
8W-70	Splice Information
8W-80	Connector Pin Outs
8W-91	Connector, Ground and Splice Locations

CONNECTOR, GROUND, AND SPLICE INFORMATION

CAUTION: Not all connectors are serviced. Some connectors are serviced only with a harness. A typical example might be the Supplemental Restraint System connectors. Always check parts availability before attempting a repair.

IDENTIFICATION

In-line connectors are identified by a number, as follows:

- In-line connectors located in the engine compartment are C100 series numbers
- In-line connectors located in the Instrument Panel area are C200 series numbers.
- In-line connectors located in the body are C300 series numbers.
- Jumper harness connectors are C400 series numbers.

- Grounds and ground connectors are identified with a "G" and follow the same series numbering as the in-line connectors.

- Splices are identified with an "S" and follow the same series numbering as the in-line connectors.

- Component connectors are identified by the component name instead of a number. Multiple connectors on a component use a C1, C2, etc. identifier.

LOCATIONS

Section 8W-91 contains connector/ground/splice location illustrations. The illustrations contain the connector name (or number)/ground number/splice number and component identification. Connector/ground/splice location charts in section 8W-91 reference the figure numbers of the illustrations.

The abbreviation T/O is used in the component location section to indicate a point in which the wiring harness branches out to a component. The abbreviation N/S means Not Shown in the illustrations

WARNINGS - GENERAL

WARNINGS provide information to prevent personal injury and vehicle damage. Below is a list of general warnings that should be followed any time a vehicle is being serviced.

WARNING: ALWAYS WEAR SAFETY GLASSES FOR EYE PROTECTION.

WARNING: USE SAFETY STANDS ANYTIME A PROCEDURE REQUIRES BEING UNDER A VEHICLE.

WARNING: BE SURE THAT THE IGNITION SWITCH ALWAYS IS IN THE OFF POSITION, UNLESS THE PROCEDURE REQUIRES IT TO BE ON.

WARNING: SET THE PARKING BRAKE WHEN WORKING ON ANY VEHICLE. AN AUTOMATIC TRANSMISSION SHOULD BE IN PARK. A MANUAL TRANSMISSION SHOULD BE IN NEUTRAL.

WARNING: OPERATE THE ENGINE ONLY IN A WELL-VENTILATED AREA.

WARNING: KEEP AWAY FROM MOVING PARTS WHEN THE ENGINE IS RUNNING, ESPECIALLY THE FAN AND BELTS.

WARNING: TO PREVENT SERIOUS BURNS, AVOID CONTACT WITH HOT PARTS SUCH AS THE RADIA-

TOR, EXHAUST MANIFOLD(S), TAIL PIPE, CATALYTIC CONVERTER AND MUFFLER.

WARNING: DO NOT ALLOW FLAME OR SPARKS NEAR THE BATTERY. GASES ARE ALWAYS PRESENT IN AND AROUND THE BATTERY.

WARNING: ALWAYS REMOVE RINGS, WATCHES, LOOSE HANGING JEWELRY AND AVOID LOOSE CLOTHING.

DIAGNOSIS AND TESTING

WIRING HARNESS

TROUBLESHOOTING TOOLS

When diagnosing a problem in an electrical circuit there are several common tools necessary. These tools are listed and explained below.

- Jumper Wire - This is a test wire used to connect two points of a circuit. It can be used to bypass an open in a circuit.

WARNING: NEVER USE A JUMPER WIRE ACROSS A LOAD, SUCH AS A MOTOR, CONNECTED BETWEEN A BATTERY FEED AND GROUND.

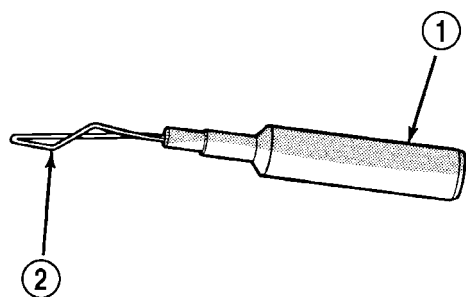
- Voltmeter - Used to check for voltage on a circuit. Always connect the black lead to a known good ground and the red lead to the positive side of the circuit.

CAUTION: Most of the electrical components used in today's vehicles are Solid State. When checking voltages in these circuits, use a meter with a 10 - megohm or greater impedance rating.

- Ohmmeter - Used to check the resistance between two points of a circuit. Low or no resistance in a circuit means good continuity.

CAUTION: Most of the electrical components used in today's vehicles are Solid State. When checking resistance in these circuits use a meter with a 10 - megohm or greater impedance rating. In addition, make sure the power is disconnected from the circuit. Circuits that are powered up by the vehicle's electrical system can cause damage to the equipment and provide false readings.

- Probing Tools - These tools are used for probing terminals in connectors (Fig. 4). Select the proper size tool from Special Tool Package 6807, and insert it into the terminal being tested. Use the other end of the tool to insert the meter probe.



948W-233

Fig. 4 Probing Tool

1 - SPECIAL TOOL 6801
2 - PROBING END

INTERMITTENT AND POOR CONNECTIONS

Most intermittent electrical problems are caused by faulty electrical connections or wiring. It is also possible for a sticking component or relay to cause a problem. Before condemning a component or wiring assembly, check the following items.

- Connectors are fully seated
- Spread terminals, or terminal push out
- Terminals in the wiring assembly are fully seated into the connector/component and locked into position
 - Dirt or corrosion on the terminals. Any amount of corrosion or dirt could cause an intermittent problem
 - Damaged connector/component casing exposing the item to dirt or moisture
 - Wire insulation that has rubbed through causing a short to ground
 - Some or all of the wiring strands broken inside of the insulation
 - Wiring broken inside of the insulation

TROUBLESHOOTING WIRING PROBLEMS

When troubleshooting wiring problems there are six steps which can aid in the procedure. The steps are listed and explained below. Always check for non-factory items added to the vehicle before doing any diagnosis. If the vehicle is equipped with these items, disconnect them to verify these add-on items are not the cause of the problem.

- (1) Verify the problem.
- (2) Verify any related symptoms. Do this by performing operational checks on components that are in the same circuit. Refer to the wiring diagrams.
- (3) Analyze the symptoms. Use the wiring diagrams to determine what the circuit is doing, where the problem most likely is occurring and where the diagnosis will continue.
- (4) Isolate the problem area.
- (5) Repair the problem area.

(6) Verify the proper operation. For this step, check for proper operation of all items on the repaired circuit. Refer to the wiring diagrams.

STANDARD PROCEDURE

ELECTROSTATIC DISCHARGE (ESD) SENSITIVE DEVICES

All ESD sensitive components are solid state and a symbol (Fig. 5) is used to indicate this. When handling any component with this symbol, comply with the following procedures to reduce the possibility of electrostatic charge build up on the body and inadvertent discharge into the component. If it is not known whether the part is ESD sensitive, assume that it is.

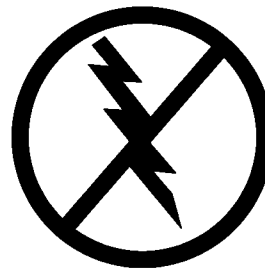
(1) Always touch a known good ground before handling the part. This should be repeated while handling the part and more frequently after sliding across a seat, sitting down from a standing position, or walking a distance.

(2) Avoid touching electrical terminals of the part, unless instructed to do so by a written procedure.

(3) When using a voltmeter, be sure to connect the ground lead first.

(4) Do not remove the part from its protective packing until it is time to install the part.

(5) Before removing the part from its package, ground the package to a known good ground on the vehicle.



80ce3d47

Fig. 5 ELECTROSTATIC DISCHARGE SYMBOL

TESTING FOR VOLTAGE POTENTIAL

(1) Connect the ground lead of a voltmeter to a known good ground (Fig. 6).

(2) Connect the other lead of the voltmeter to the selected test point. The vehicle ignition may need to be turned ON to check voltage. Refer to the appropriate test procedure.

TESTING FOR CONTINUITY

(1) Remove the fuse for the circuit being checked or, disconnect the battery.

(2) Connect one lead of the ohmmeter to one side of the circuit being tested (Fig. 7).

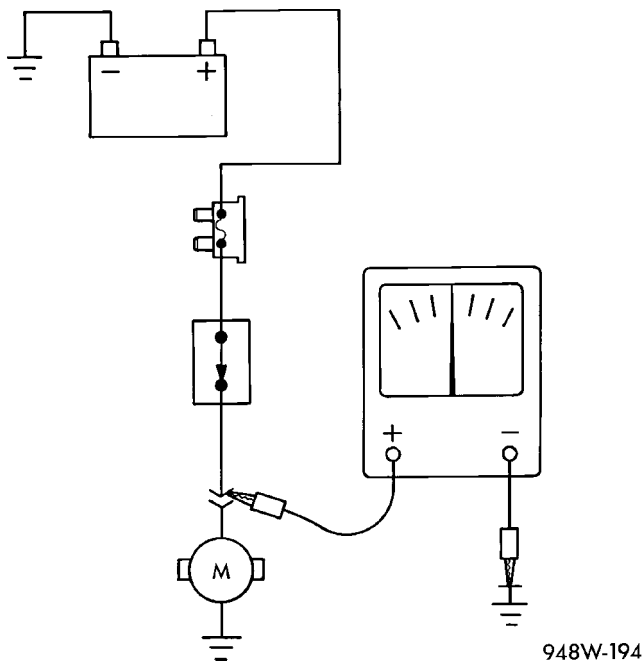


Fig. 6 Testing for Voltage Potential

(3) Connect the other lead to the other end of the circuit being tested. Low or no resistance means good continuity.

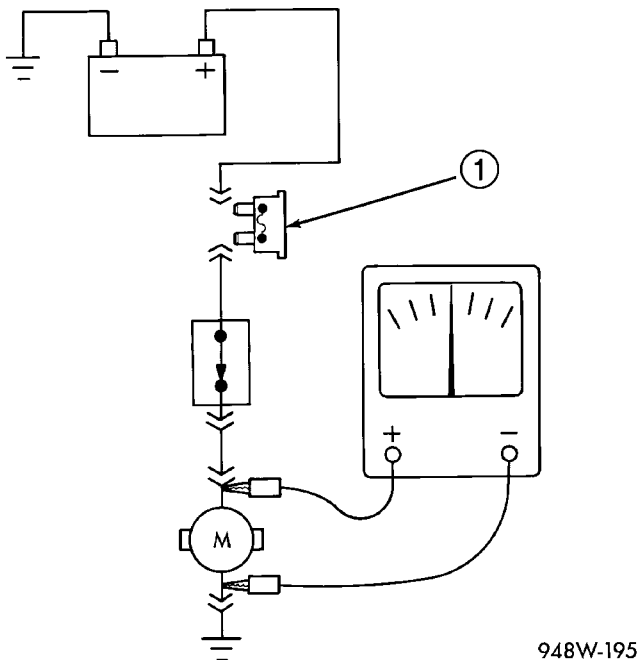


Fig. 7 Testing for Continuity

1 - FUSE REMOVED FROM CIRCUIT

TESTING FOR A SHORT TO GROUND

- (1) Remove the fuse and disconnect all items involved with the fuse.
- (2) Connect a test light or a voltmeter across the terminals of the fuse.

(3) Starting at the fuse block, wiggle the wiring harness about six to eight inches apart and watch the voltmeter/test lamp.

(4) If the voltmeter registers voltage or the test lamp glows, there is a short to ground in that general area of the wiring harness.

TESTING COMPONENTS FOR A SHORT TO GROUND ON A FUSE POWERING SEVERAL LOADS

(1) Refer to the wiring diagrams and disconnect or isolate all items on the suspected fused circuit.

(2) Replace the blown fuse.

(3) Supply power to the fuse by turning ON the ignition switch or re-connecting the battery.

(4) Start connecting the items in the fused circuit one at a time. When the fuse blows the component with the short to ground has been isolated.

TESTING FOR A VOLTAGE DROP

(1) Connect the positive lead of the voltmeter to the side of the circuit closest to the battery (Fig. 8).

(2) Connect the other lead of the voltmeter to the other side of the switch, component or circuit.

(3) Operate the item.

(4) The voltmeter will show the difference in voltage between the two points.

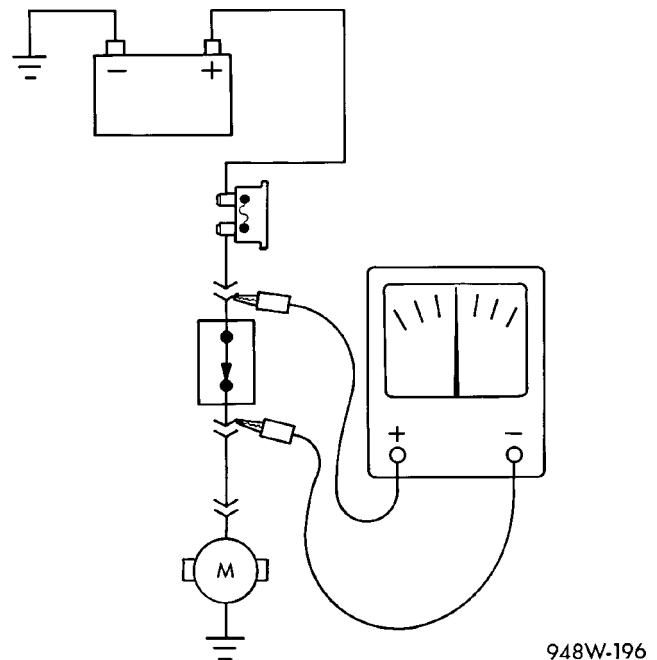


Fig. 8 Testing for Voltage Drop

CONNECTOR

REMOVAL

- (1) Disconnect battery.
- (2) Release Connector Lock (Fig. 9).
- (3) Disconnect the connector being repaired from its mating half/component.
- (4) Remove the dress cover (if applicable) (Fig. 9).

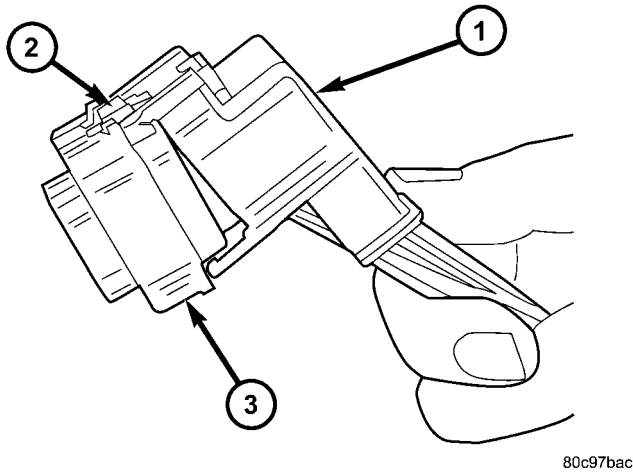


Fig. 9 REMOVAL OF DRESS COVER

- 1 - DRESS COVER
- 2 - CONNECTOR LOCK
- 3 - CONNECTOR

(5) Release the Secondary Terminal Lock, if required.

(6) Position the connector locking finger away from the terminal using the proper special tool. Pull on the wire to remove the terminal from the connector.

INSTALLATION

(1) Insert the removed terminal in the same cavity on the repair connector.

(2) Repeat steps for each terminal in the connector, being sure that all wires are inserted into the proper cavities. For additional connector pin-out identification, refer to the wiring diagrams.

(3) When the connector is re-assembled, the secondary terminal lock must be placed in the locked position to prevent terminal push out.

(4) Replace dress cover (if applicable).

(5) Connect connector to its mating half/component.

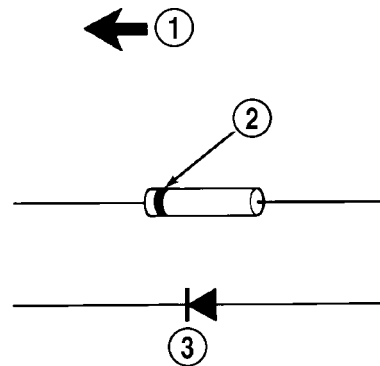
(6) Connect battery and test all affected systems.

DIODE

REMOVAL

- (1) Disconnect the battery.
- (2) Locate the diode in the harness, and remove the protective covering.

(3) Remove the diode from the harness, pay attention to the current flow direction (Fig. 10).



948W-197

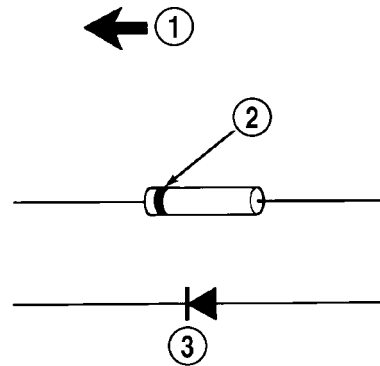
Fig. 10 DIODE IDENTIFICATION

- 1 - CURRENT FLOW
- 2 - BAND AROUND DIODE INDICATES CURRENT FLOW
- 3 - DIODE AS SHOWN IN THE DIAGRAMS

INSTALLATION

(1) Remove the insulation from the wires in the harness. Only remove enough insulation to solder in the new diode.

(2) Install the new diode in the harness, making sure current flow is correct. If necessary, refer to the appropriate wiring diagram for current flow (Fig. 11).



948W-197

Fig. 11 Diode Identification

- 1 - CURRENT FLOW
- 2 - BAND AROUND DIODE INDICATES CURRENT FLOW
- 3 - DIODE AS SHOWN IN THE DIAGRAMS

(3) Solder the connection together using rosin core type solder only. **Do not use acid core solder.**

(4) Tape the diode to the harness using electrical tape. Make sure the diode is completely sealed from the elements.

(5) Re-connect the battery and test affected systems.

TERMINAL

REMOVAL

- (1) Follow steps for removing terminals described in the connector removal section.
- (2) Cut the wire 6 inches from the back of the connector.

INSTALLATION

- (1) Select a wire from the terminal repair kit that best matches the color and gage of the wire being repaired.
- (2) Cut the repair wire to the proper length and remove one-half (1/2) inch of insulation.
- (3) Splice the repair wire to the wire harness (see wire splicing procedure) .
- (4) Insert the repaired wire into the connector.
- (5) Install the connector locking wedge, if required, and reconnect the connector to its mating half/component.
- (6) Re-tape the wire harness starting at 1-1/2 inches behind the connector and 2 inches past the repair.
- (7) Connect battery and test all affected systems.

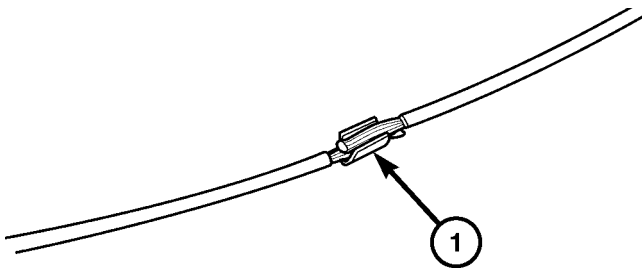
WIRE

STANDARD PROCEDURE

WIRE SPLICING

When splicing a wire, it is important that the correct gage be used as shown in the wiring diagrams.

- (1) Remove one-half (1/2) inch of insulation from each wire that needs to be spliced.
- (2) Place a piece of adhesive lined heat shrink tubing on one side of the wire. Make sure the tubing will be long enough to cover and seal the entire repair area.
- (3) Place the strands of wire overlapping each other inside of the splice clip (Fig. 12).

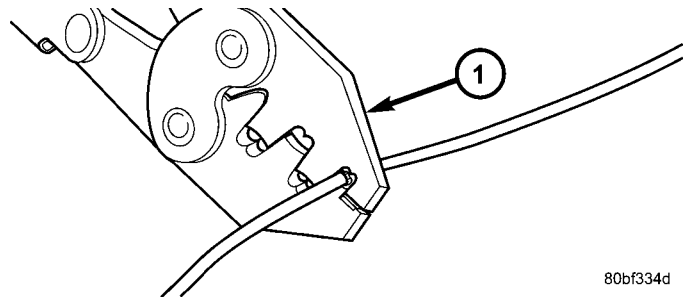


80c4f3f1

Fig. 12 1 SPLICE BAND

1 - SPLICE BAND

- (4) Using crimping tool, Mopar p/n 05019912AA, crimp the splice clip and wires together (Fig. 13).



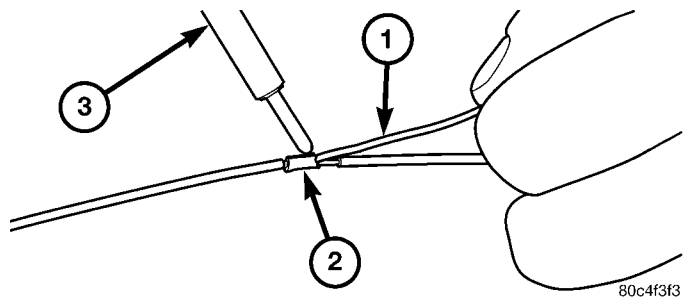
80bf334d

Fig. 13 2 CRIMPING TOOL

1 - CRIMPING TOOL

- (5) Solder the connection together using rosin core type solder only (Fig. 14).

CAUTION: DO NOT USE ACID CORE SOLDER.

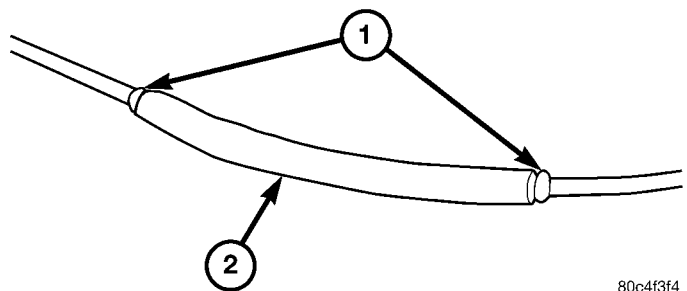


80c4f3f3

Fig. 14 3 SOLDER SPLICE

1 - SOLDER
2 - SPLICE BAND
3 - SOLDERING IRON

- (6) Center the heat shrink tubing over the joint and heat using a heat gun. Heat the joint until the tubing is tightly sealed and sealant comes out of both ends of the tubing (Fig. 15).



80c4f3f4

Fig. 15 4 HEAT SHRINK TUBE

1 - SEALANT
2 - HEAT SHRINK TUBE

8W-02 COMPONENT INDEX

Component	Page	Component	Page
A/C Auxiliary Fan	8W-42	Cylinder Lock Switch-Driver	8W-61
A/C Auxiliary Fan Relay	8W-42	D+ Relays	8W-10, 11
A/C Compressor Clutch	8W-42	Data Link Connector	8W-18
A/C Compressor Clutch Relay	8W-42	Daytime Running Lamp Relays	8W-50
A/C Roof Auxiliary Fan	8W-42	Differential Lock Solenoid Valve	8W-31
A/C Roof Auxiliary Fan Relay	8W-42	Dome Lamp	8W-44
Accelerator Pedal Position Sensor	8W-30	Door Jamb Switch-Rear	8W-61
Additional Heat Exchanger	8W-42	Door Jamb Switches	8W-44
Additional Heat Exchanger Relay	8W-42	Door Jamb Switches-Sliding	8W-61
Additional Heat Exchanger Switch	8W-42	Door Lock Motor/Ajar Switch Assemblies	8W-61
Air Outlet Temperature Sensor	8W-42	Dosing Pump	8W-42
Airbag Control Module	8W-43	EGR Valve	8W-30
Airbag Squibs	8W-43	Electrohydraulic Control Unit	8W-31
Ambient Temperature Sensor	8W-42	Engine Control Module	8W-30
Anti Icing Switch	8W-42	Engine Control Relay	8W-31
Ash Receiver Lamp	8W-44	Engine Coolant Level Switch	8W-30
Automatic Temperature Control Module	8W-42	Engine Coolant Temperature Sensor	8W-30
Auxiliary Heater Control	8W-42	Engine Oil Sensor	8W-30
Battery	8W-20	Evaporator Temperature Sensor	8W-42
Battery Relay-Auxiliary	8W-20	Fan Stage 1 Relay	8W-42
Battery-Auxiliary	8W-20	Fog Lamp Relay	8W-50
Beam Select Switch	8W-50	Fog Lamp Switch	8W-50
Blower Motor Resistor Block	8W-42	Fuel Injectors	8W-30
Blower Motor-Front	8W-42	Fuel Level Sensor	8W-30
Blower Stage I Diode	8W-42	Fuel Pressure Sensor	8W-30
Body Plug Connector	8W-11	Fuel Pressure Solenoid	8W-30
Boost Pressure Sensor	8W-30	Fuel Pump	8W-30
Boost Pressure Servomotor	8W-30	Fuel Pump Relay	8W-30
Boost Pressure Solenoid	8W-30	Fuel Quantity Control Valve	8W-30
Brake Fluid Level Switch	8W-35	Fuel Shutdown Solenoid	8W-30
Brake Lamp Switch	8W-35	Fuel Temperature Sensor	8W-30
Brake Lamp Switch 4 Pole	8W-35	Fuse Blocks	8W-10, 11, 30
Brake Pressure Sensor	8W-35	Fuse/Relay Block	8W-11
Brake Wear Sensors	8W-35	Fused Ignition Switch Run-Start Relay	8W-11
CTEL Antenna Connector	8W-55	Fuses	8W-10, 11, 42
CTEL Connector	8W-55	Generator	8W-20
Cabin Heater Assembly	8W-42	Glow Plug Control Module	8W-30
Cabin Heater Module	8W-42	Glow Plugs	8W-30
Camshaft Position Sensor	8W-30	Grounds	8W-15
Center High Mounted Stop Lamp	8W-51	Hazard Warning Switch	8W-52
Central Timer Module	8W-45	Headlamp Adjust Switch	8W-50
Cigar Lighter	8W-41	Headlamp Assemblies	8W-50, 52
Cigar Lighter Lamp	8W-44	Headlamp Switch	8W-50
Circulation Pump	8W-42	Heated Seat Modules	8W-63
Circulation Pump Diode	8W-42	Heated Seat Switches	8W-63
Circulation Pump Relay-Cabin Heater Module	8W-42	Heater Timer-Auxiliary	8W-42
Clockspring	8W-41, 43	High Idle Switch	8W-30
Controller Antilock Brake	8W-35	High Pressure Switch	8W-42
Courtesy Lamps	8W-44	Hood Ajar Switch	8W-39
Crankcase Heater	8W-30	Horn	8W-41
Crankshaft Position Sensor	8W-30	Horn Relay	8W-41
		Horn Switch	8W-41

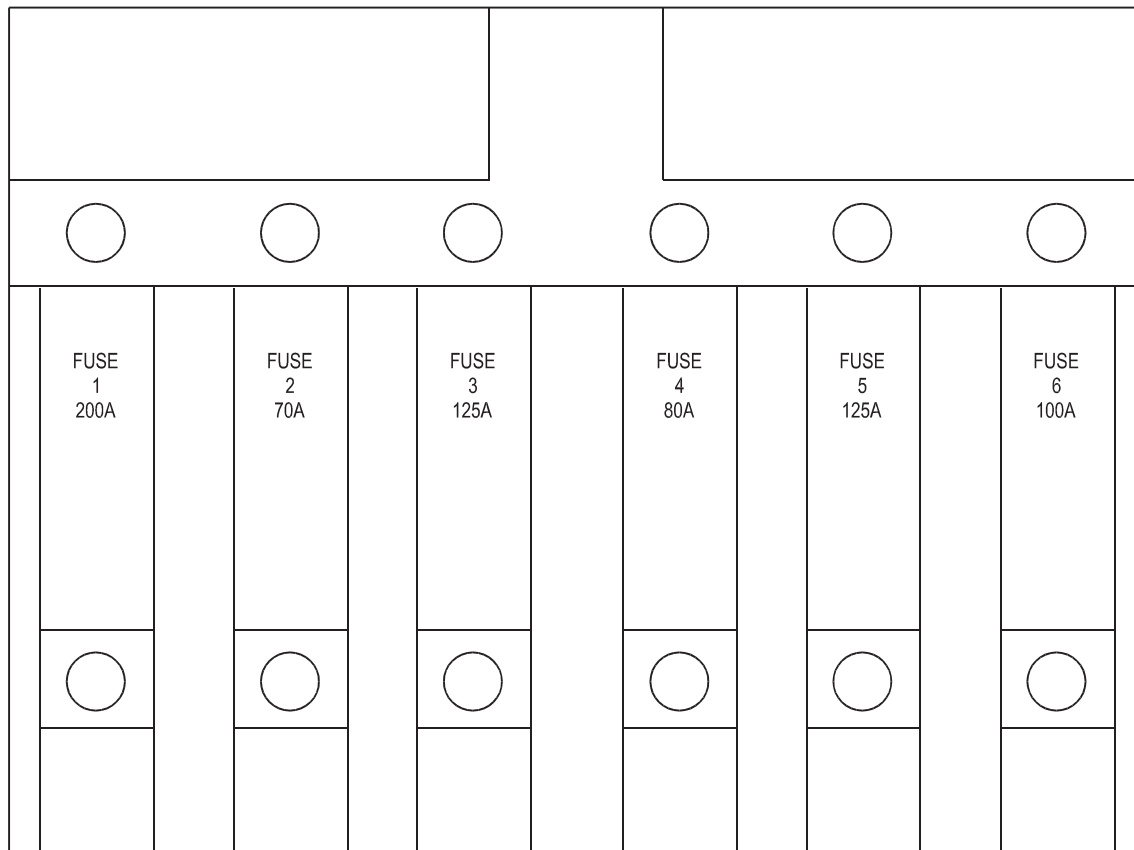
Component	Page	Component	Page
Ignition Lock Switch	8W-40	Roof A/C Control Module	8W-42
Ignition Switch	8W-10	Roof A/C Fan Fuse	8W-42
Instrument Cluster	8W-40	Roof A/C Switch	8W-42
Instrument Panel Socket	8W-41	Roof A/C Temperature Setting Control	8W-42
Intake Air Pressure Sensor	8W-30	Roof Fan Motor	8W-42
Intake Air Temperature Sensor	8W-30	Roof Fan Switch	8W-42
Interference Suppression Capacitor	8W-42	Roof Thermotronic Control Module	8W-42
Interior Lamps	8W-44	SKREEM Antenna	8W-39
Interior Light Switches	8W-44	SKREEM Transponder	8W-39
Interior Lighting Connector	8W-44	Seat Belt Switch	8W-43
Intrusion Sensors	8W-39	Seat Belt Tensioners	8W-43
Kickdown Switch	8W-30	Security System Module	8W-39
Lamp Relays	8W-50	Sentry Key Remote Entry Module	8W-39
Lateral Acceleration Sensor	8W-35	Shifter Assembly	8W-31
License Plate Lamps	8W-51	Siren	8W-41
Lockeres	8W-31	Speakers	8W-47
Low Fuel Pressure Sensor	8W-30	Speed Control Switch	8W-33
Low Pressure Switch	8W-42	Splices	8W-70
Map/Reading Lamp Switch	8W-44	Starter Motor	8W-21
Marker Lamp Connector	8W-51	Starter Motor Relay	8W-21
Marker Lamps	8W-50, 51	Steering Angle Sensor	8W-35
Mass Air Flow Sensor	8W-30	TCS Switch	8W-35
Master Door Lock Switch	8W-61	Tail Lamp Assemblies	8W-51
Metering Pump	8W-42	Temperature Sensor	8W-42
Microphone Connector	8W-55	Thermotronic Diode	8W-42
Multi-Function Switch	8W-50, 52, 53, 54	Time Delay Relay	8W-44
Optional Equipment Relay	8W-11	Towing/Intrusion Sensor On/Off Switch	8W-39
Oxygen Sensor	8W-30	Trailer Tow Connector	8W-54
Panic Alarm Switch	8W-39	Trailer Tow Control Module	8W-54
Parking Brake Switch	8W-35	Transmission Control Module	8W-31
Power Distribution Center	8W-10	Transmission Relay	8W-31
Power Mirror Motors	8W-62	Turn Signal Relay	8W-52
Power Mirror Switch	8W-62	Turn Signal Switch	8W-50
Power Window Motors	8W-60	Turn Signal/Anti-Theft Alarm Relays	8W-39
Power Window Switches	8W-60	Turn Signals	8W-52
Radio	8W-47	Warm Air Auxiliary Control Module	8W-42
Radio Antenna	8W-47	Warm Air Auxiliary Heater Assembly	8W-42
Radio/Cellular Antenna	8W-55	Washer On/Off Switch	8W-53
Rain Sensor	8W-53	Washer Pump Motor-Front	8W-53
Rain Sensor Control Module	8W-53	Water Cycle Valve	8W-42
Reading Lamp Connector	8W-44	Water In Fuel Sensor	8W-30
Rear Window Defogger Relay	8W-48	Wheel Speed Sensors	8W-35
Recirculated Air Solenoid Valve	8W-42	Window Defogger Module-Rear	8W-48
Refrigerant Pressure Sensor	8W-42	Window Defogger Switch-Rear	8W-48
Relay Block	8W-11	Window Defoggers	8W-48
Rollover Switch	8W-42	Wiper Motor-Front	8W-53
Rollover Switch Assembly	8W-42	Wiper On/Off Relay	8W-53
Roof A/C Blower Fuses	8W-42	Wiper Switch	8W-53
Roof A/C Blower Stage Relays	8W-42	Wiper/Turn Signal/Engine Start Control Module	8W-30, 31, 52, 53
Roof A/C Blowers	8W-42		
Roof A/C Compressor Fuse	8W-42		

8W-10 POWER DISTRIBUTION

Component	Page
A/C Compressor Clutch Relay	8W-10-11
A/C Roof Auxiliary Fan Relay	8W-10-11
Airbag Control Module	8W-10-19
Automatic Temperature Control Module	8W-10-30
Auxiliary Heater Control	8W-10-23
Battery	8W-10-6, 11
Battery Relay-Auxiliary	8W-10-6
Beam Select Switch	8W-10-12, 18, 28
Blower Motor Resistor Block	8W-10-12, 30
Boost Pressure Servomotor	8W-10-29
Brake Lamp Switch	8W-10-20
Brake Lamp Switch 4 Pole	8W-10-20
Central Timer Module	8W-10-16
Cigar Lighter	8W-10-23
Circulation Pump Diode	8W-10-30
Circulation Pump Relay-Cabin Heater Module	8W-10-22, 30
Courtesy Lamp-Driver Door	8W-10-24
Courtesy Lamp-Left Sliding Door	8W-10-24
Courtesy Lamp-Passenger Door	8W-10-24
Courtesy Lamp-Right Sliding Door	8W-10-24
Crankcase Heater	8W-10-29
D+ Relay No. 1	8W-10-9, 10
Data Link Connector	8W-10-20
Daytime Running Lamp Relay-Left Side . . .	8W-10-10, 27
Daytime Running Lamp Relay-Right Side . .	8W-10-10, 27
Daytime Running Lamps Relay	8W-10-25
Dome Lamp	8W-10-24
EGR Valve	8W-10-29
Engine Control Module	8W-10-12, 15, 19, 29, 34
Engine Control Relay	8W-10-12, 29, 34
Fog Lamp Relay	8W-10-28
Fuel Pump	8W-10-12, 30
Fuel Pump Relay	8W-10-12, 30
Fuse 1	8W-10-6, 8, 9, 17, 18, 25
Fuse 2	8W-10-6, 8, 11, 18
Fuse 3	8W-10-6, 8, 9, 18
Fuse 4	8W-10-8, 11, 13, 14, 17, 19, 26
Fuse 5	8W-10-8, 9, 11, 14, 20
Fuse 6	8W-10-7, 8, 11, 14, 21, 33
Fuse 7	8W-10-7, 8, 14, 22
Fuse 8	8W-10-7, 9, 12, 23
Fuse 9	8W-10-8, 9, 10, 12, 21
Fuse 10	8W-10-9, 10, 11, 25
Fuse 11	8W-10-9, 10, 26
Fuse 12	8W-10-7, 27
Fuse 13	8W-10-7, 27
Fuse 14	8W-10-7, 28
Fuse 15	8W-10-7, 13, 16
Fuse 16	8W-10-12, 29
Fuse 17	8W-10-12, 29
Fuse 18	8W-10-9, 14, 19
Fuse 19	8W-10-12, 30
Fuse 20	8W-10-7, 12, 30
Fuse 21	8W-10-12, 13, 30

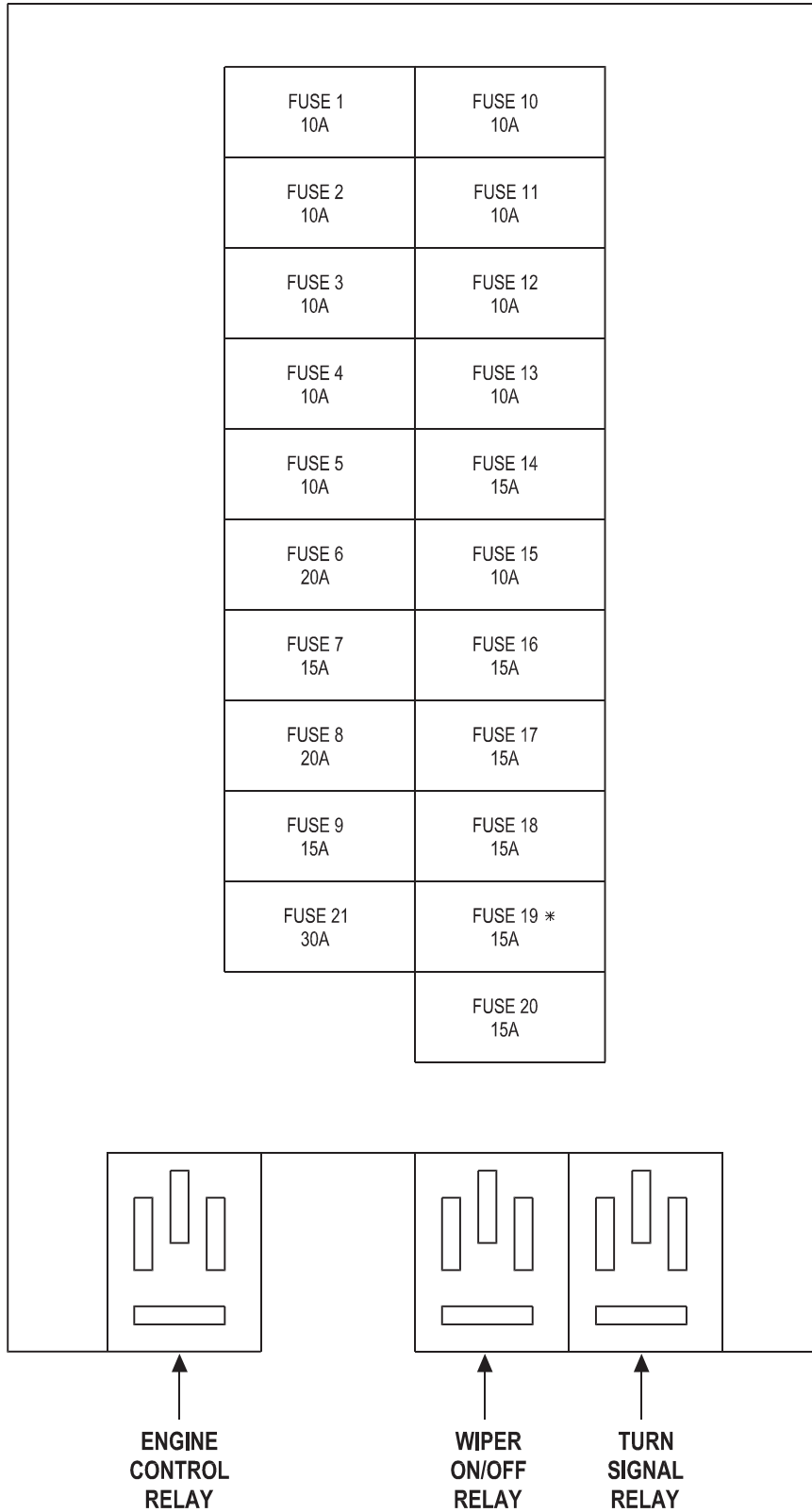
Component	Page
Fuse Block No. 1	8W-10-3, 11, 12, 13, 14, 15, 18, 19, 20, 21, 22, 23, 25, 26, 27, 28, 29, 30, 31, 32, 33, 34
Fuse Block No. 2	8W-10-10, 17, 25, 26
Fused Ignition Switch Run-Start Relay	8W-10-19
G200	8W-10-31, 32
G202	8W-10-10, 19
Generator	8W-10-6
Glow Plug Control Module	8W-10-11
Hazard Warning Switch	8W-10-13, 14, 21, 31, 32
Headlamp Assembly-Left	8W-10-18, 26, 27, 28
Headlamp Assembly-Right	8W-10-17, 18, 27, 28
Headlamp Switch	8W-10-12, 18, 25, 26, 27
Horn	8W-10-22
Horn Relay	8W-10-22
Ignition Switch	8W-10-12, 13, 14
Instrument Cluster	8W-10-10, 18, 19
Interior Lamp-Left	8W-10-24
Interior Lamp-Middle Front	8W-10-24
Interior Lamp-Middle Rear	8W-10-24
Interior Lamp-Rear No. 1	8W-10-24
Interior Lamp-Rear No. 2	8W-10-24
Interior Lamp-Right	8W-10-24
Lamp Relay-Left	8W-10-26
Lamp Relay-Right	8W-10-17
Mass Air Flow Sensor	8W-10-22
Multi-Function Switch	8W-10-12, 13, 14, 18, 21, 25, 26, 27, 28, 31, 32, 33, 34
Optional Equipment Relay	8W-10-6, 7, 22
Oxygen Sensor	8W-10-29
Power Distribution Center	8W-10-2, 6, 11
Radio	8W-10-16, 23
Radio/Cellular Antenna	8W-10-16
Rain Sensor Control Module	8W-10-33
Sentry Key Remote Entry Module	8W-10-22
Shifter Assembly	8W-10-14, 19
Starter Motor	8W-10-11, 15
Starter Motor Relay	8W-10-15
Tail Lamp Assembly-Left	8W-10-26
Tail Lamp Assembly-Right	8W-10-17
Trailer Tow Connector	8W-10-17
Transmission Relay	8W-10-22
Turn Signal Relay	8W-10-31
Turn Signal Switch	8W-10-13, 26, 31
Turn Signal/Anti-Theft Alarm Relay-Left	8W-10-23
Turn Signal/Anti-Theft Alarm Relay-Right	8W-10-23
Washer On/Off Switch	8W-10-21, 34
Washer Pump Motor-Front	8W-10-34
Window Defogger Switch-Rear	8W-10-22
Wiper Motor-Front	8W-10-33
Wiper On/Off Relay	8W-10-21, 33
Wiper Switch	8W-10-21, 32, 33
Wiper/Turn Signal/Engine Start Control Module	8W-10-14, 21, 31, 32, 33, 34

POWER DISTRIBUTION CENTER



NOTE: THE FUSE LOCATIONS SHOWN HERE
MAY VARY FROM VEHICLE TO VEHICLE.

FUSE BLOCK NO. 1



NOTE: THE FUSE AND RELAY LOCATIONS SHOWN HERE
MAY VARY FROM VEHICLE TO VEHICLE.

* OBD

FUSES
PDC

FUSE	AMPS	FUSED CIRCUIT	FUNCTION
1	200A	4RD	FUSED B(+)
2	70A	10RD	FUSED B(+)
3	125A	8RD	FUSED B(+)
4	80A	8RD	FUSED B(+)
5	125A	8RD	FUSED B(+)
6	100A	8RD	FUSED B(+)

FUSES
FUSE BLOCK NO. 1

FUSE	AMPS	FUSED CIRCUIT	FUNCTION
1	10A	16GY/RD	FUSED B(+)
2	10A	16WT	FUSED HIGH BEAM SWITCH OUTPUT
3	10A	16WT	FUSED HIGH BEAM SWITCH OUTPUT
4	10A	16WT/BL/RD	FUSED IGNITION SWITCH OUTPUT (RUN-START)
5	10A	16BK/BL/WT	FUSED IGNITION SWITCH OUTPUT (RUN-START)
6	20A	INTERNAL	FUSED IGNITION SWITCH OUTPUT (RUN-START)
7	15A	16BK/YL	FUSED IGNITION SWITCH OUTPUT (RUN-START)
8	20A	16RD/YL	FUSED IGNITION SWITCH OUTPUT (RUN-START)
9	15A	INTERNAL	FUSED B(+)
10	10A	16GY/DG/RD	HEADLAMP SWITCH OUTPUT
11	10A	16GY/BK	FUSED B(+)
12	10A	18YL	HEADLAMP SWITCH OUTPUT
13	10A	18YL	HEADLAMP SWITCH OUTPUT
14	15A	16BK/YL/WT	FOG LAMP RELAY SIGNAL
15	10A	16BK/RD	FUSED IGNITION SWITCH OUTPUT (ACC-RUN-START)
16	15A	12BK/BL	ENGINE CONTROL RELAY OUTPUT
17	15A	16BK/RD	ENGINE CONTROL RELAY OUTPUT
18	15A	14BK	FUSED IGNITION SWITCH OUTPUT (RUN-START)
19	15A	14RD/BK	FUSED B(+)
20	15A	16RD/BL	FUSED B(+)
21	30A	12RD	FUSED B(+)

**ENGINE
CONTROL
RELAY**

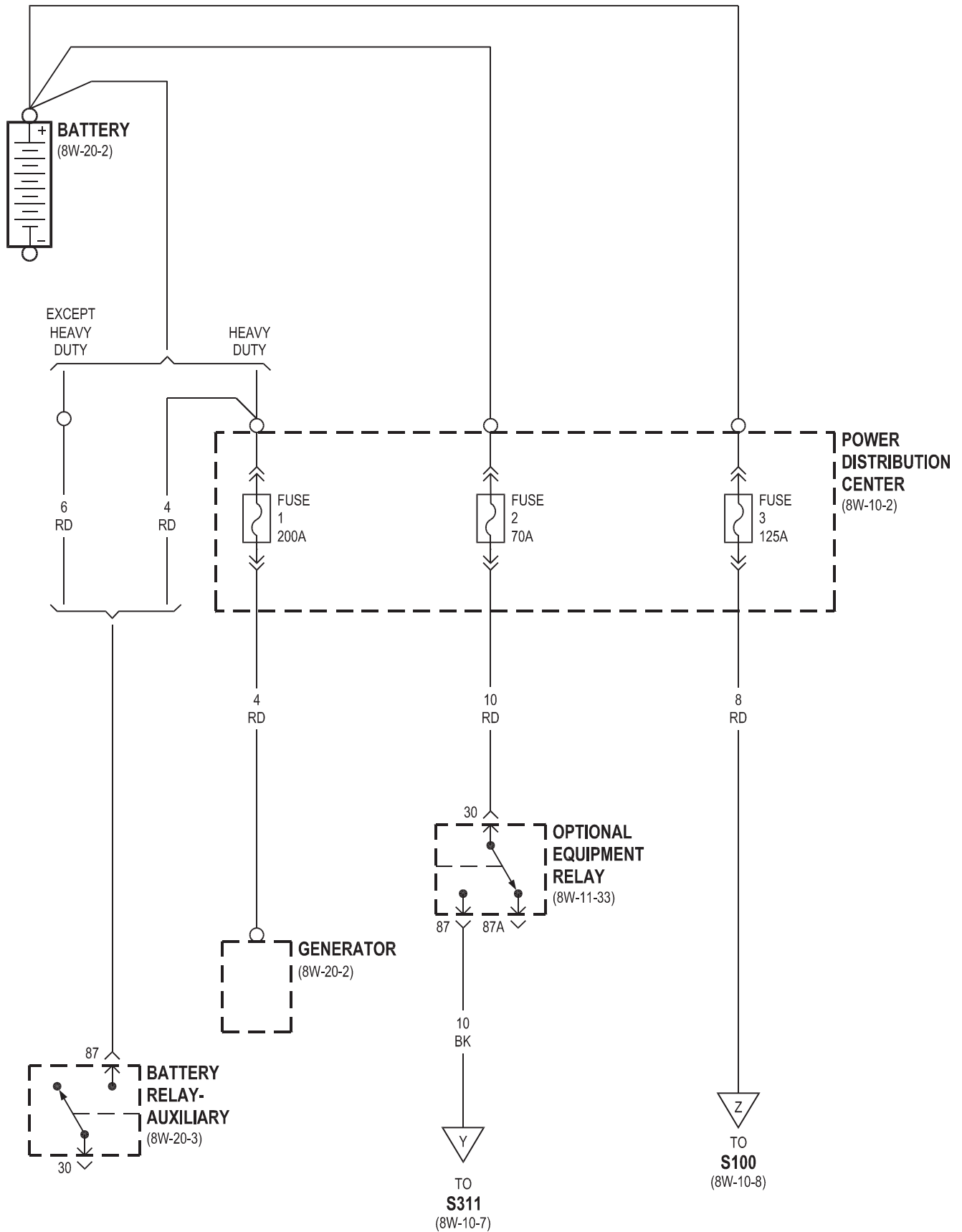
CAVITY	CIRCUIT	FUNCTION
30	INTERNAL	FUSED B(+)
85	INTERNAL	ENGINE CONTROL RELAY CONTROL
86	INTERNAL	FUSED B(+)
87	INTERNAL	ENGINE CONTROL RELAY OUTPUT
87A	-	-

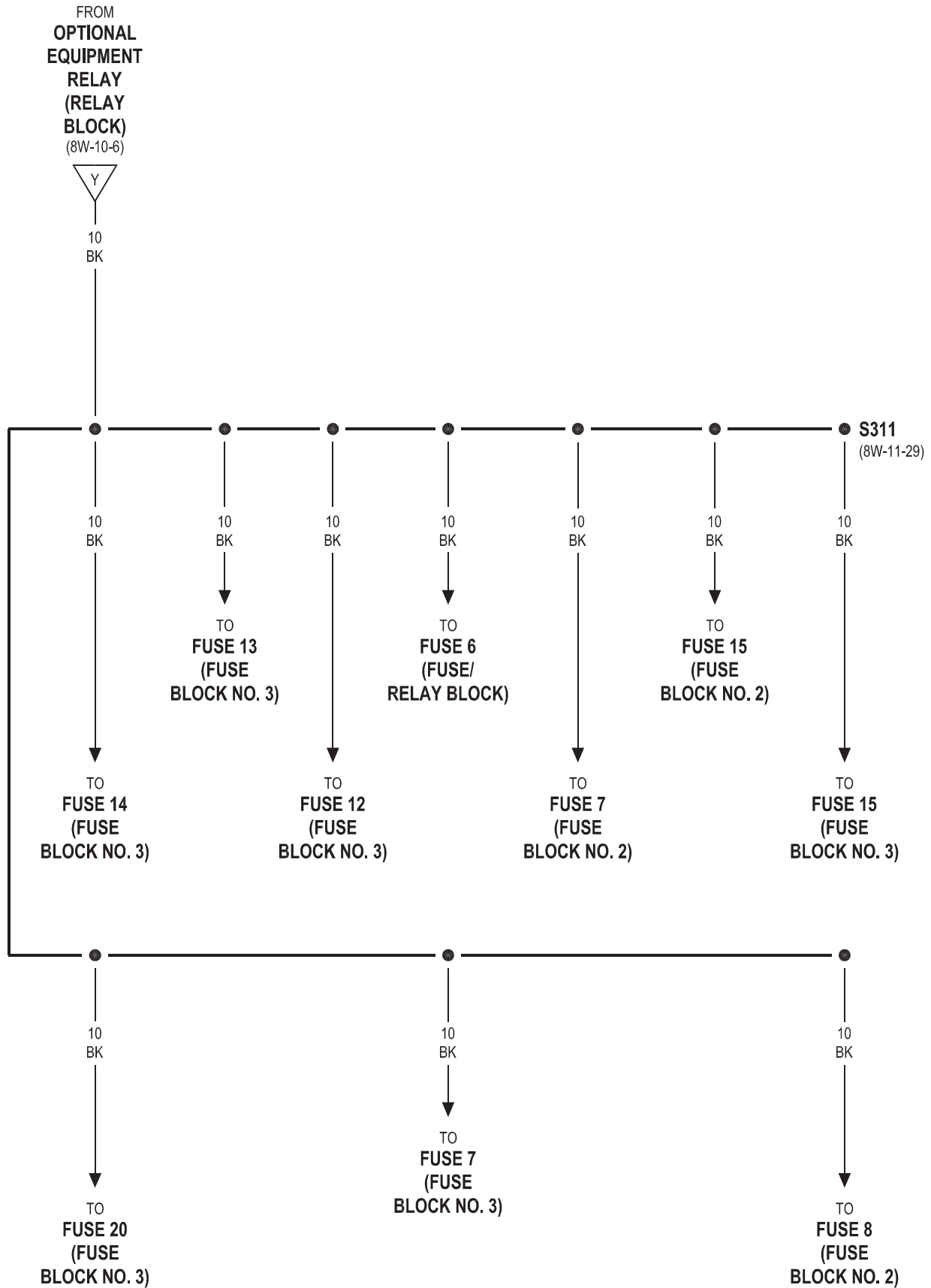
**TURN
SIGNAL
RELAY**

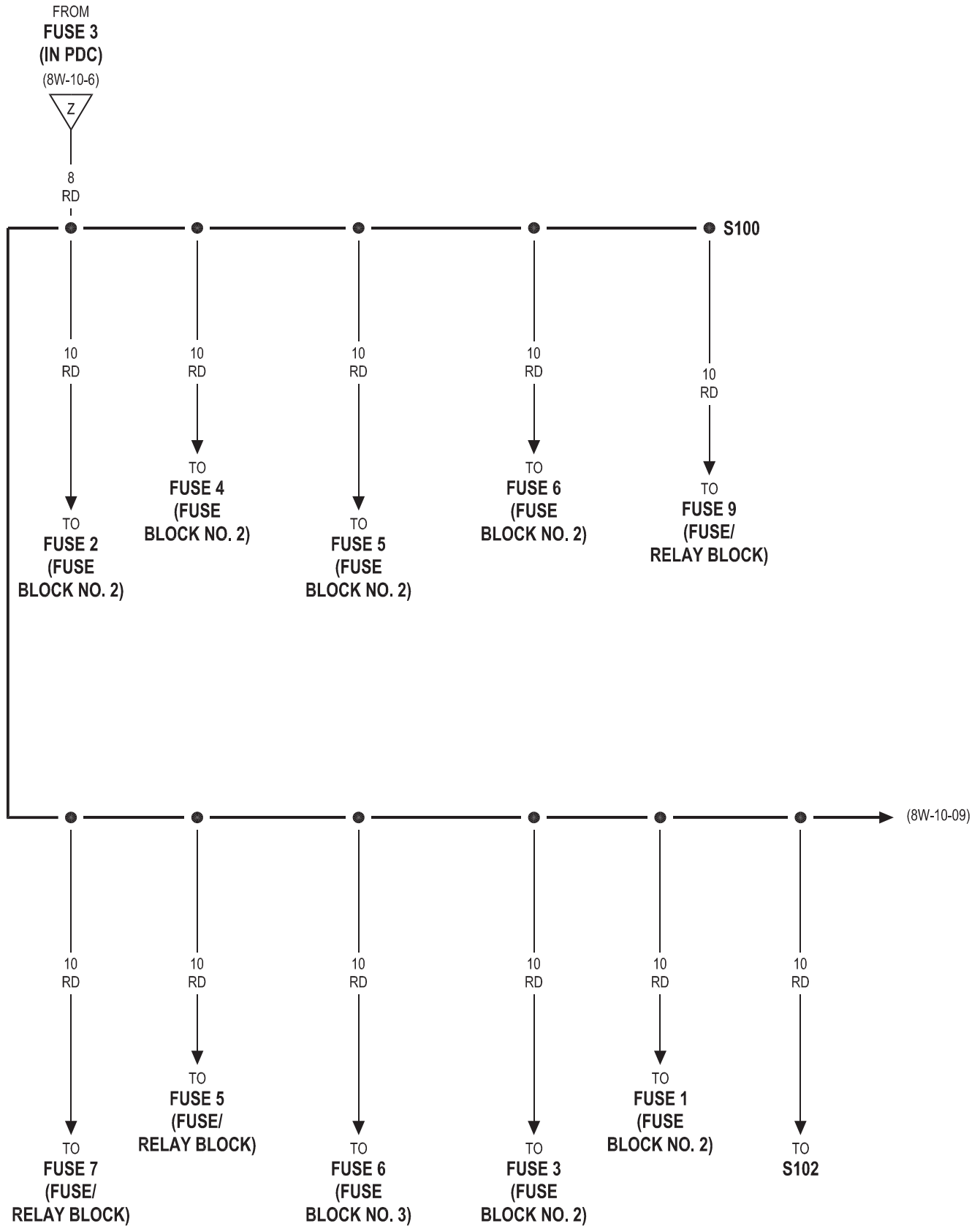
CAVITY	CIRCUIT	FUNCTION
30	INTERNAL	TURN SIGNAL RELAY SIGNAL
85	INTERNAL	TURN SIGNAL RELAY CONTROL
86	INTERNAL	TURN SIGNAL RELAY FEED
87	INTERNAL	TURN SIGNAL RELAY OUTPUT
87A	-	-

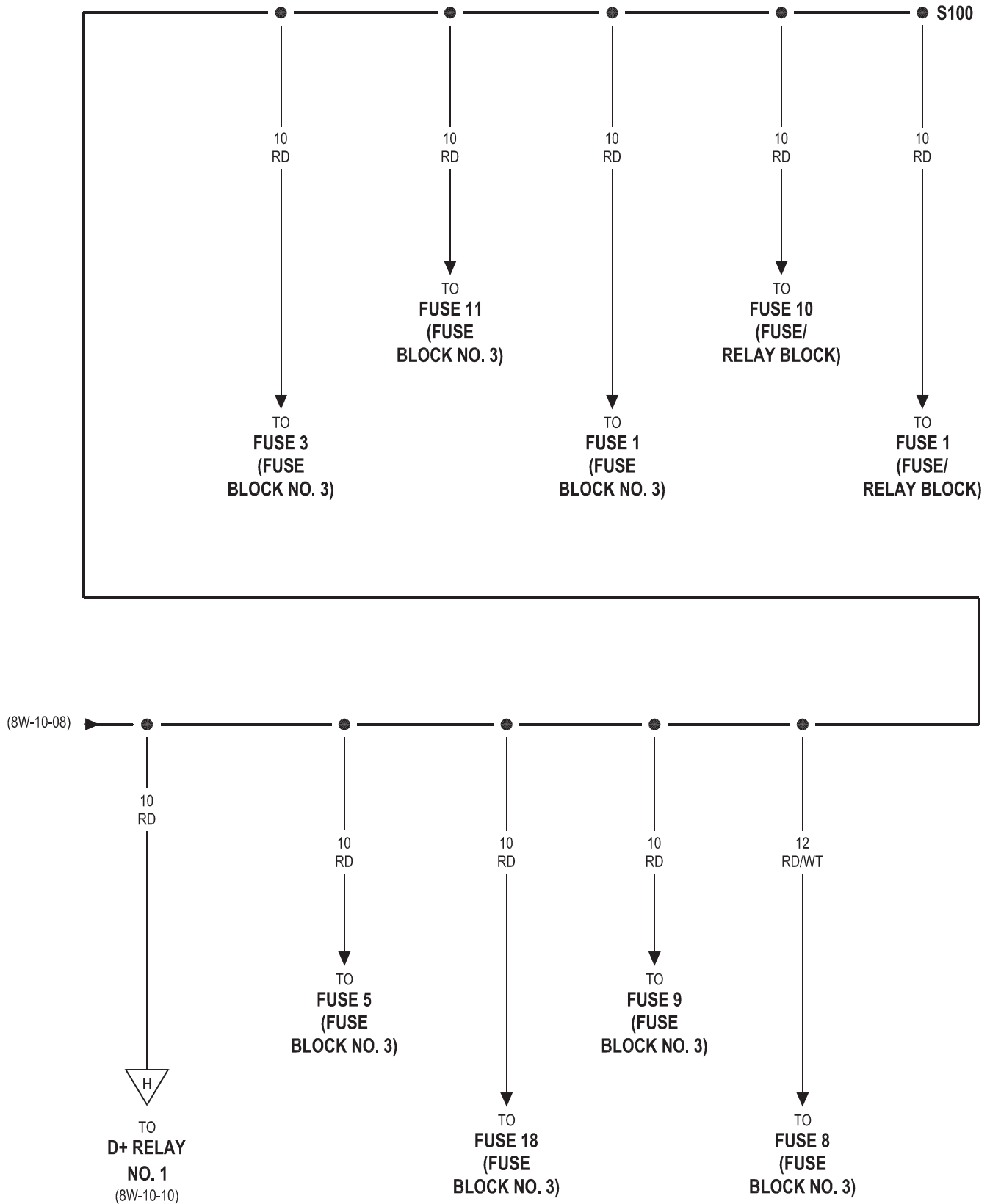
**WIPER
ON/OFF
RELAY**

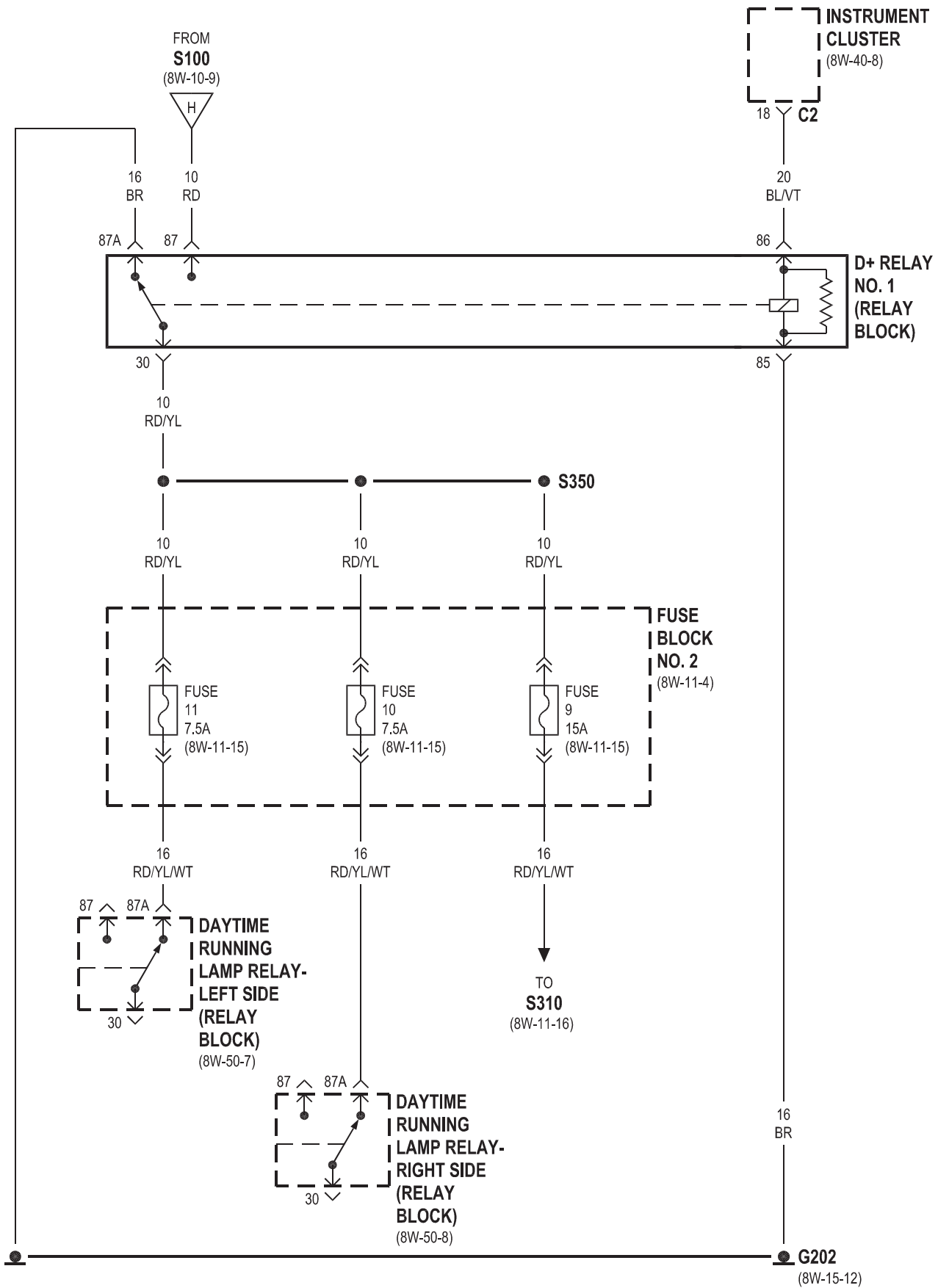
CAVITY	CIRCUIT	FUNCTION
30	INTERNAL	12 VOLT SUPPLY
85	INTERNAL	FUSED IGNITION SWITCH OUTPUT (RUN-START)
86	INTERNAL	WIPER ON/OFF RELAY CONTROL
87	INTERNAL	WIPER ON/OFF RELAY OUTPUT
87A	INTERNAL	FUSED IGNITION SWITCH OUTPUT (RUN-START)

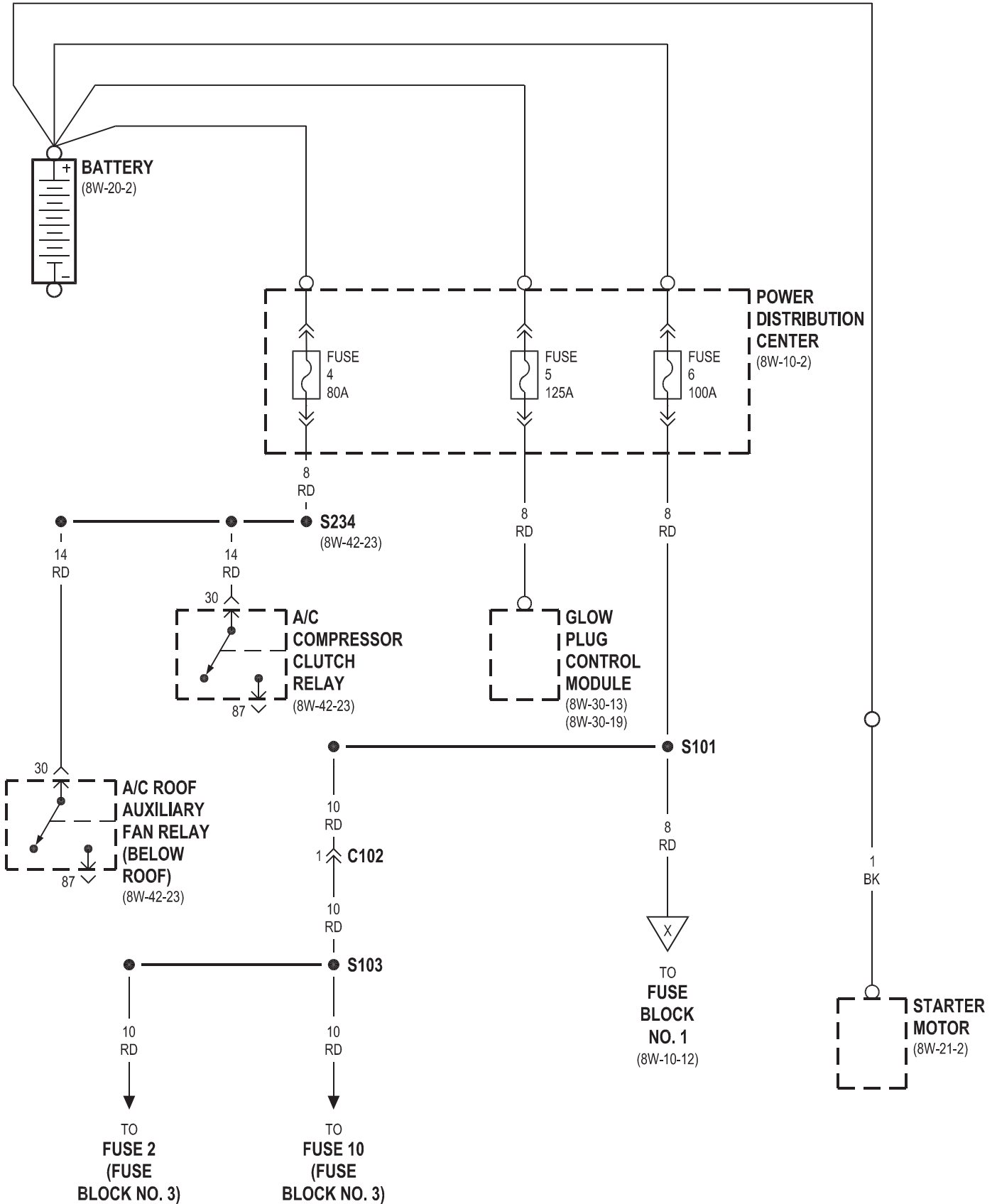


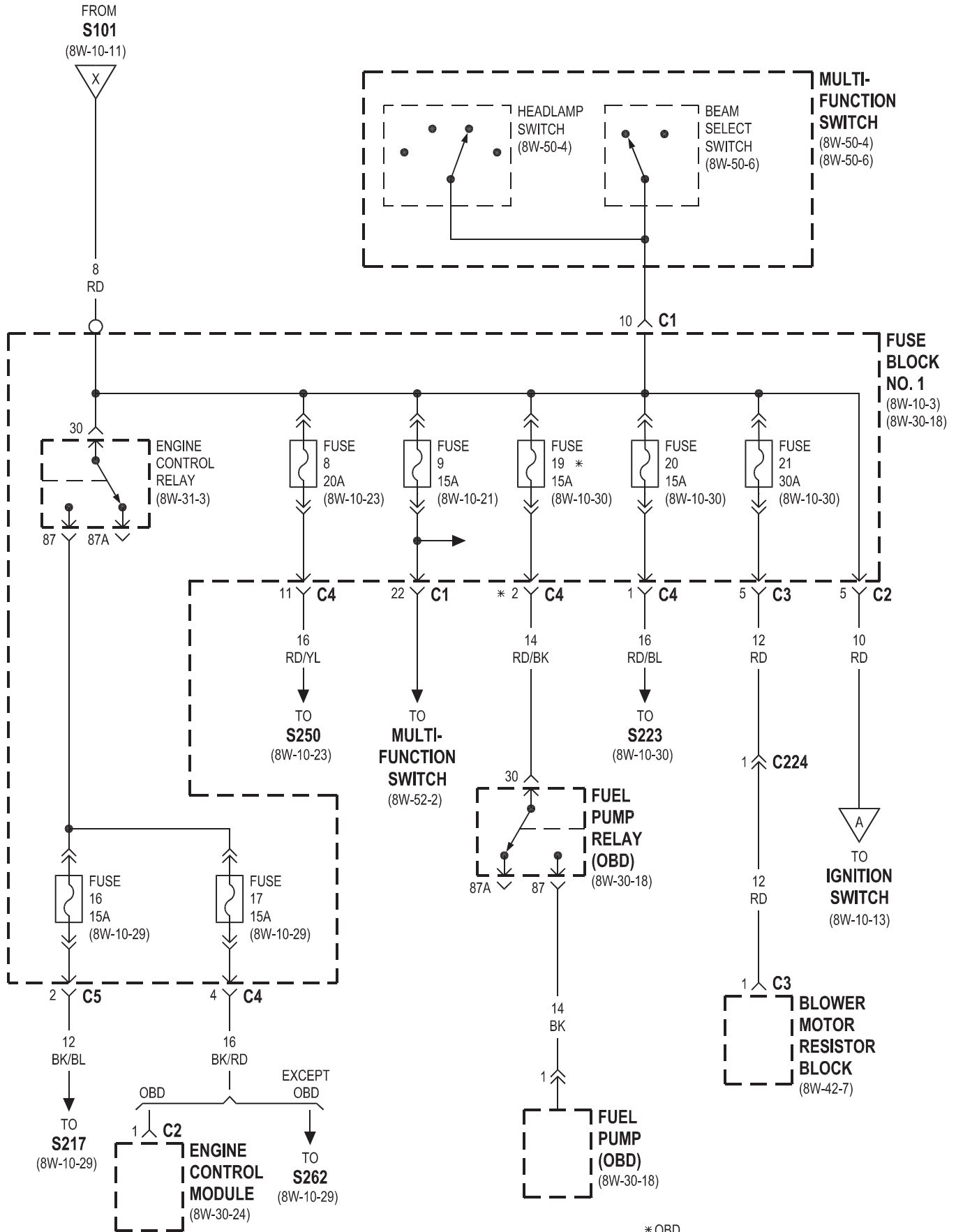


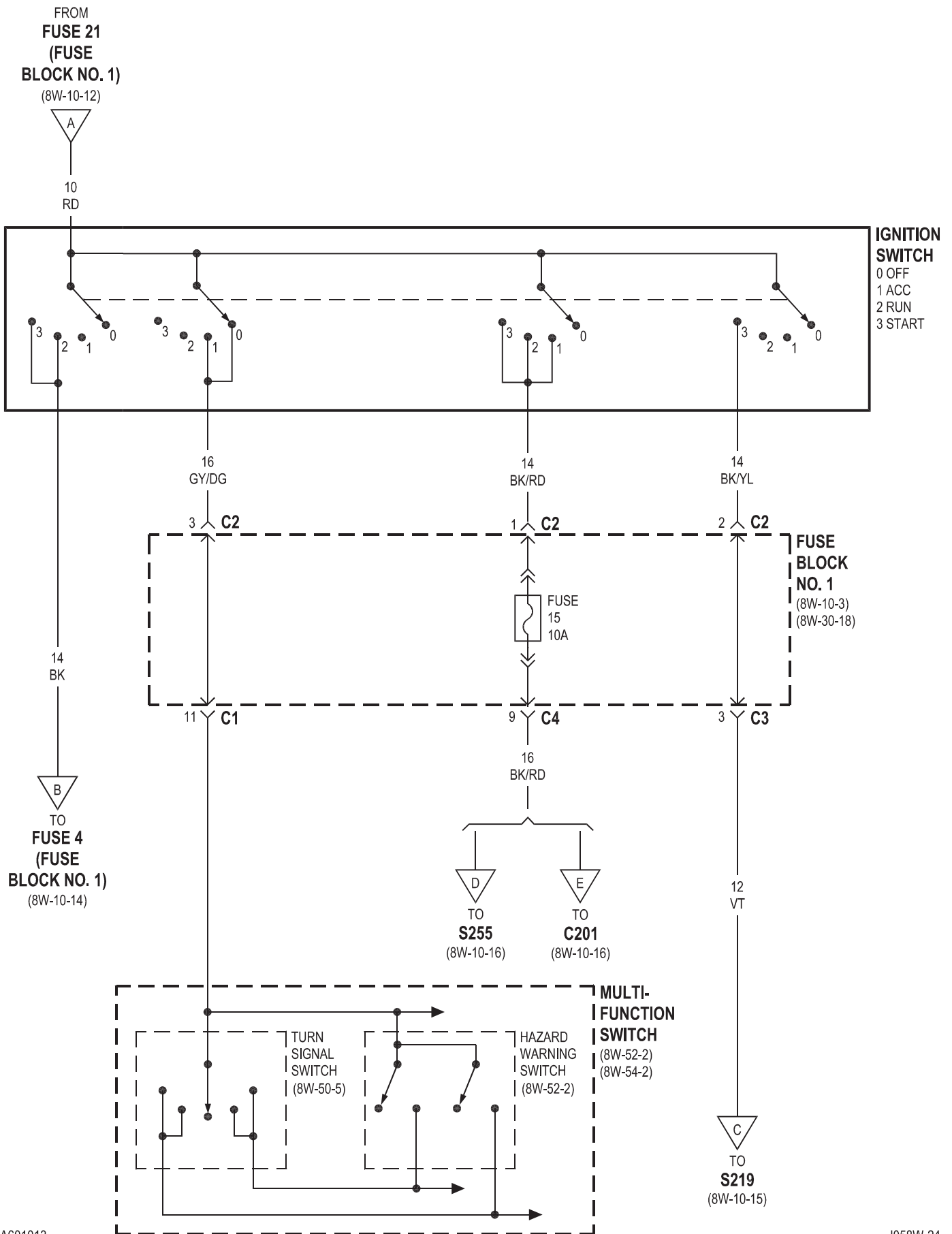


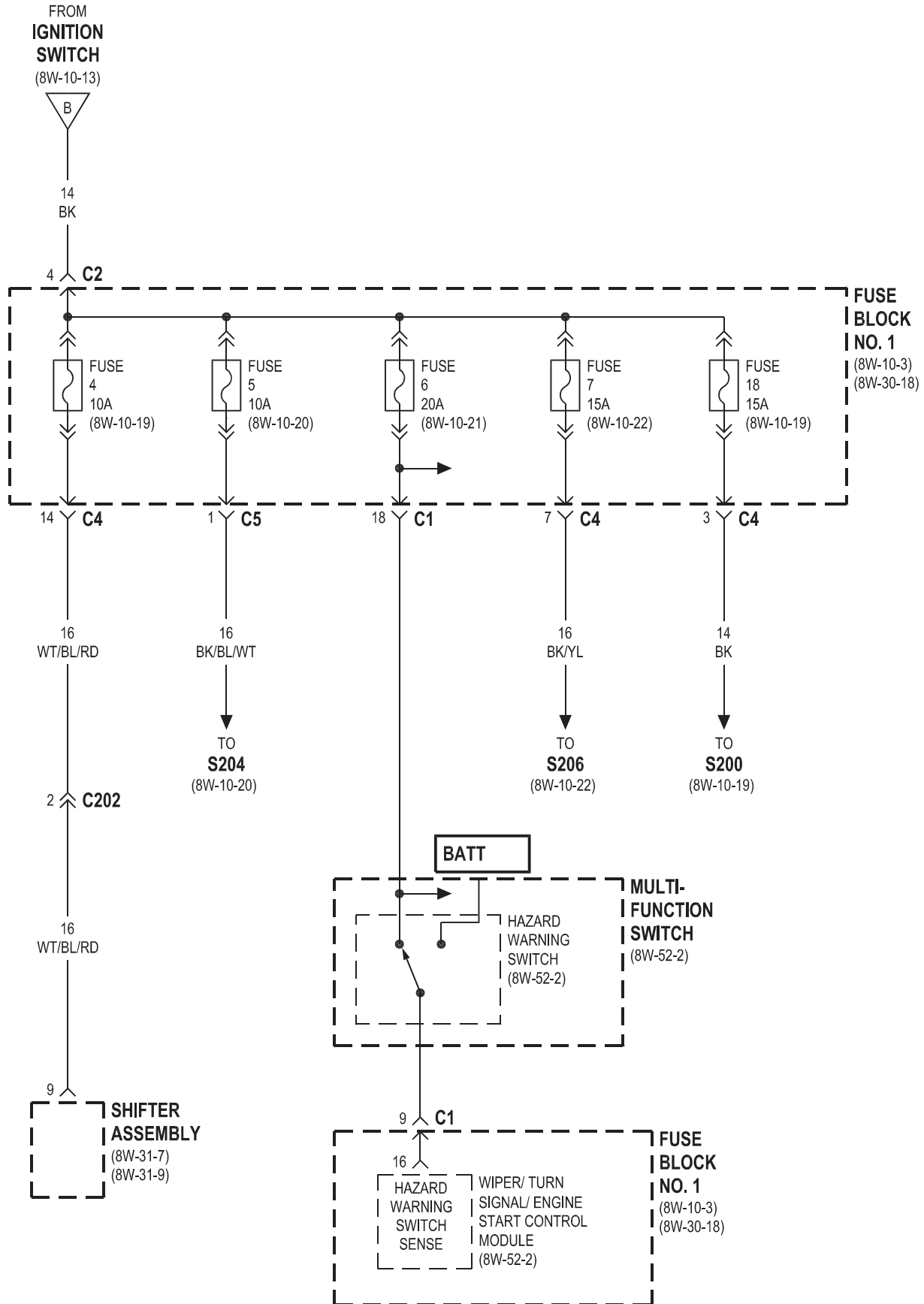


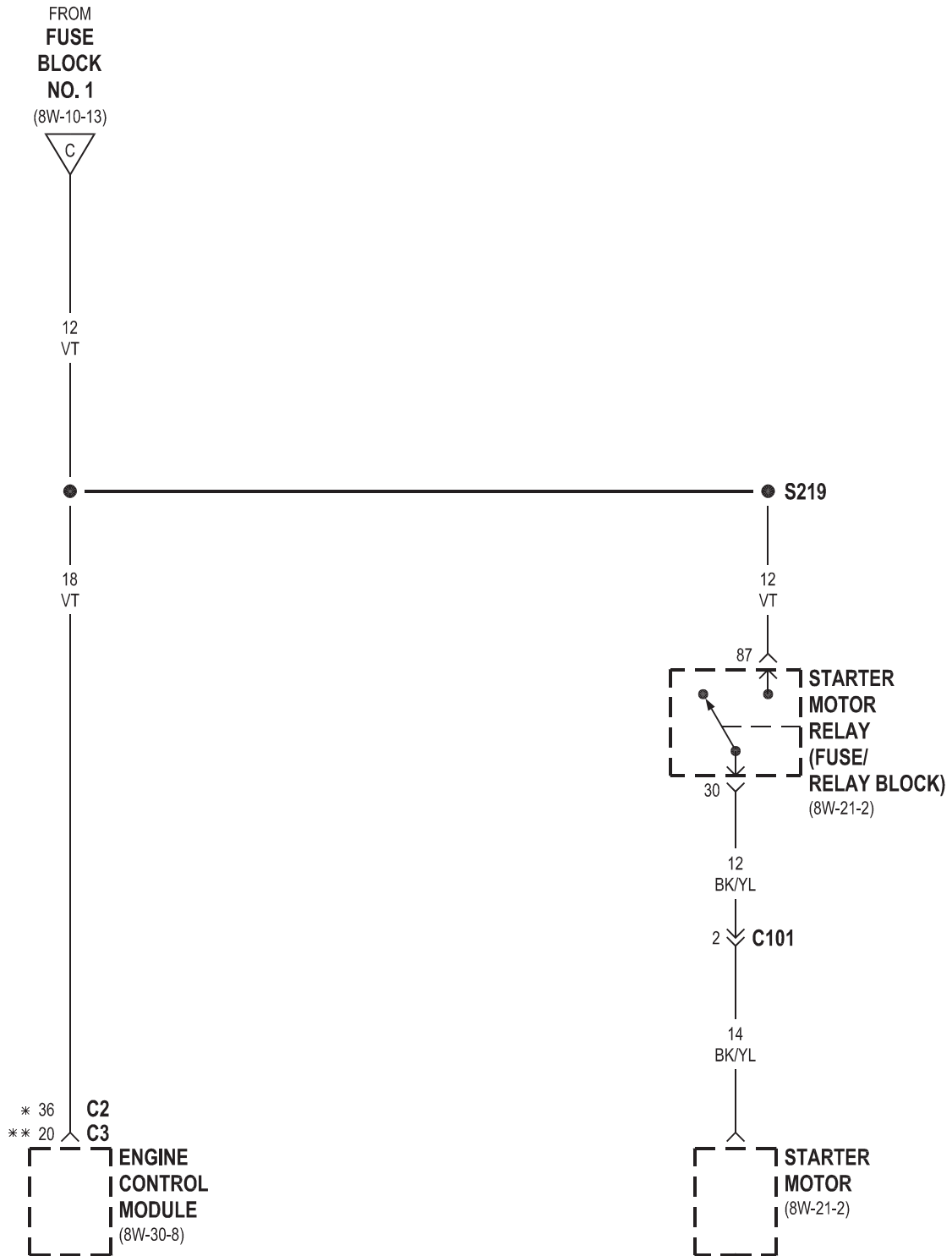




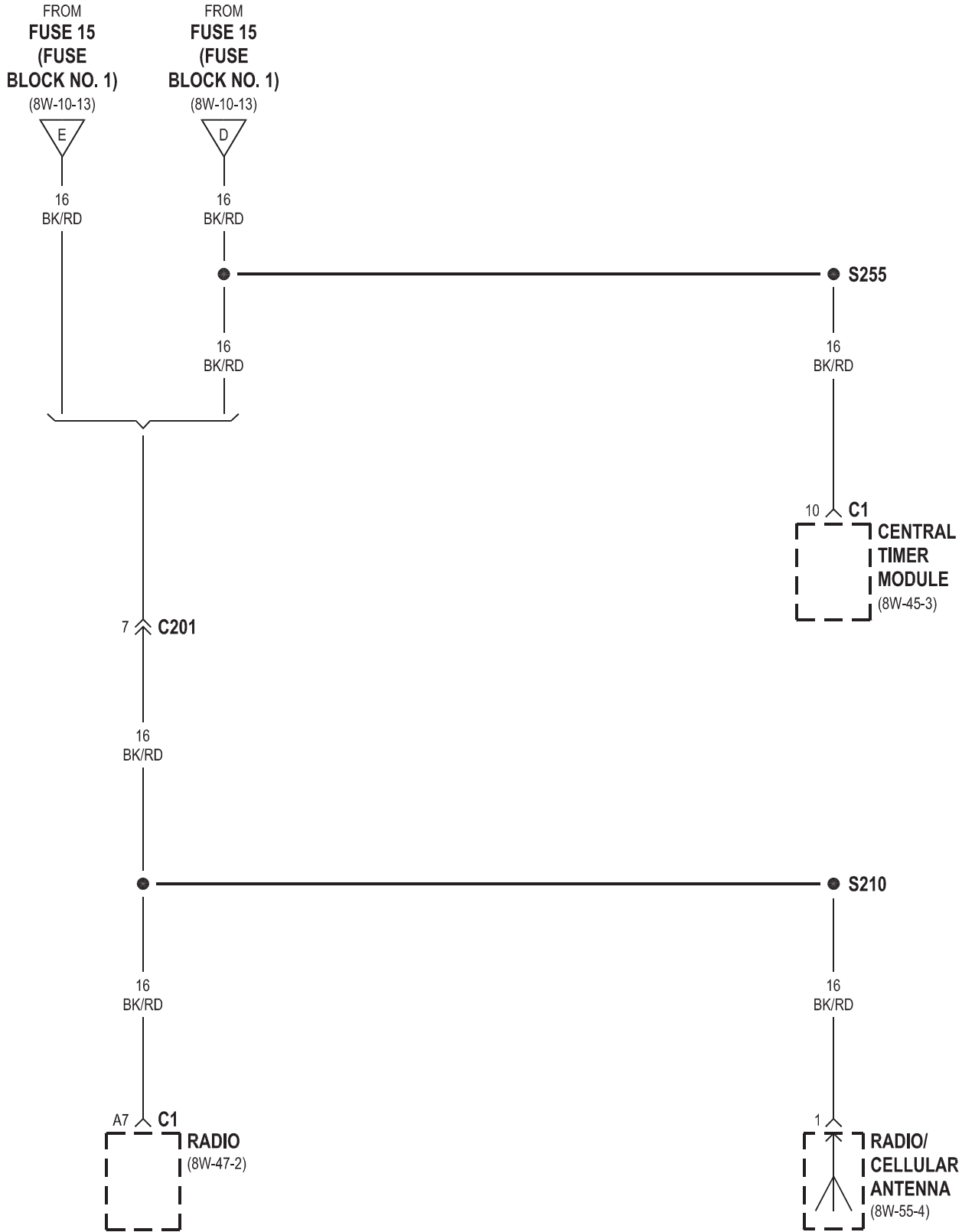


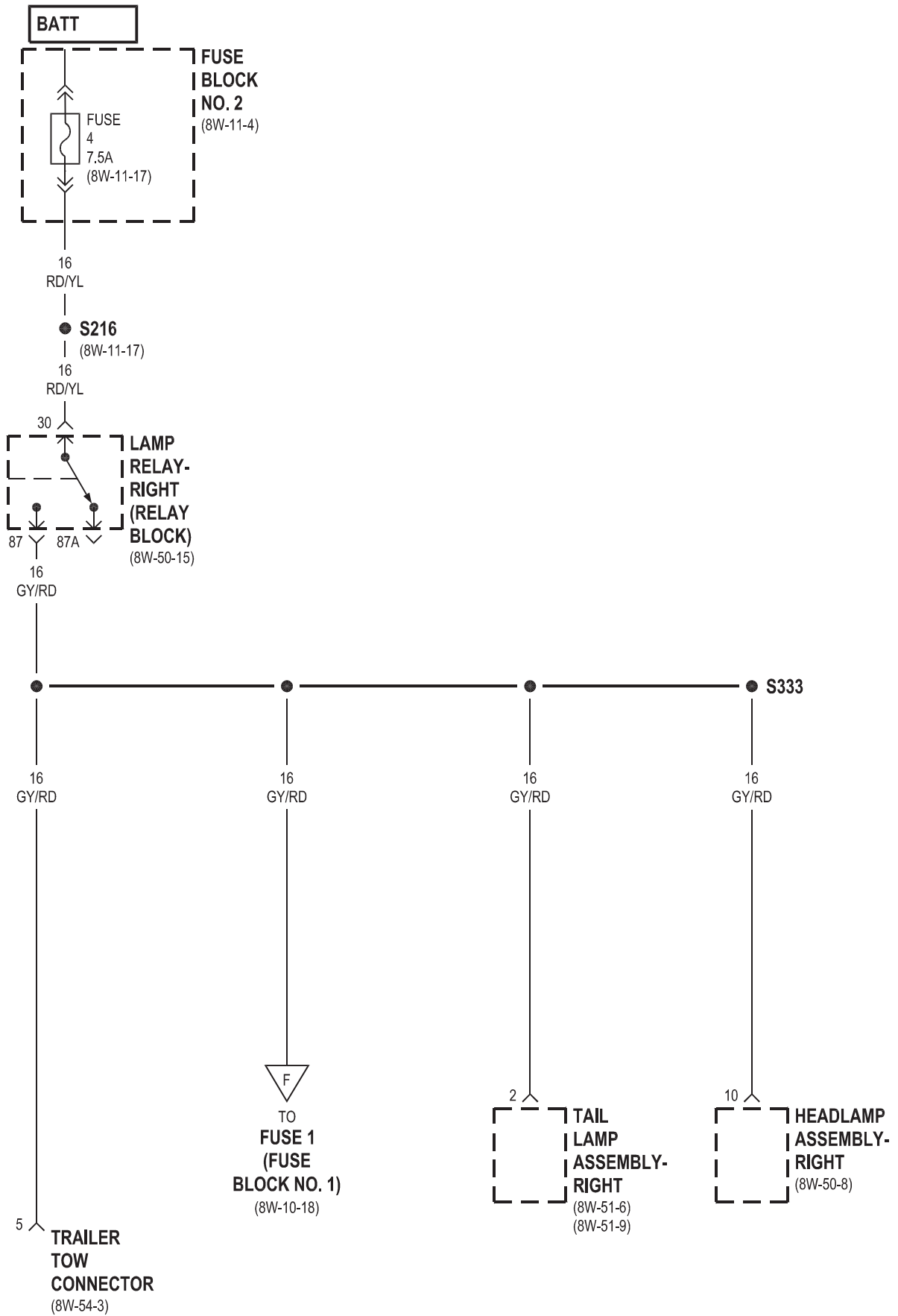


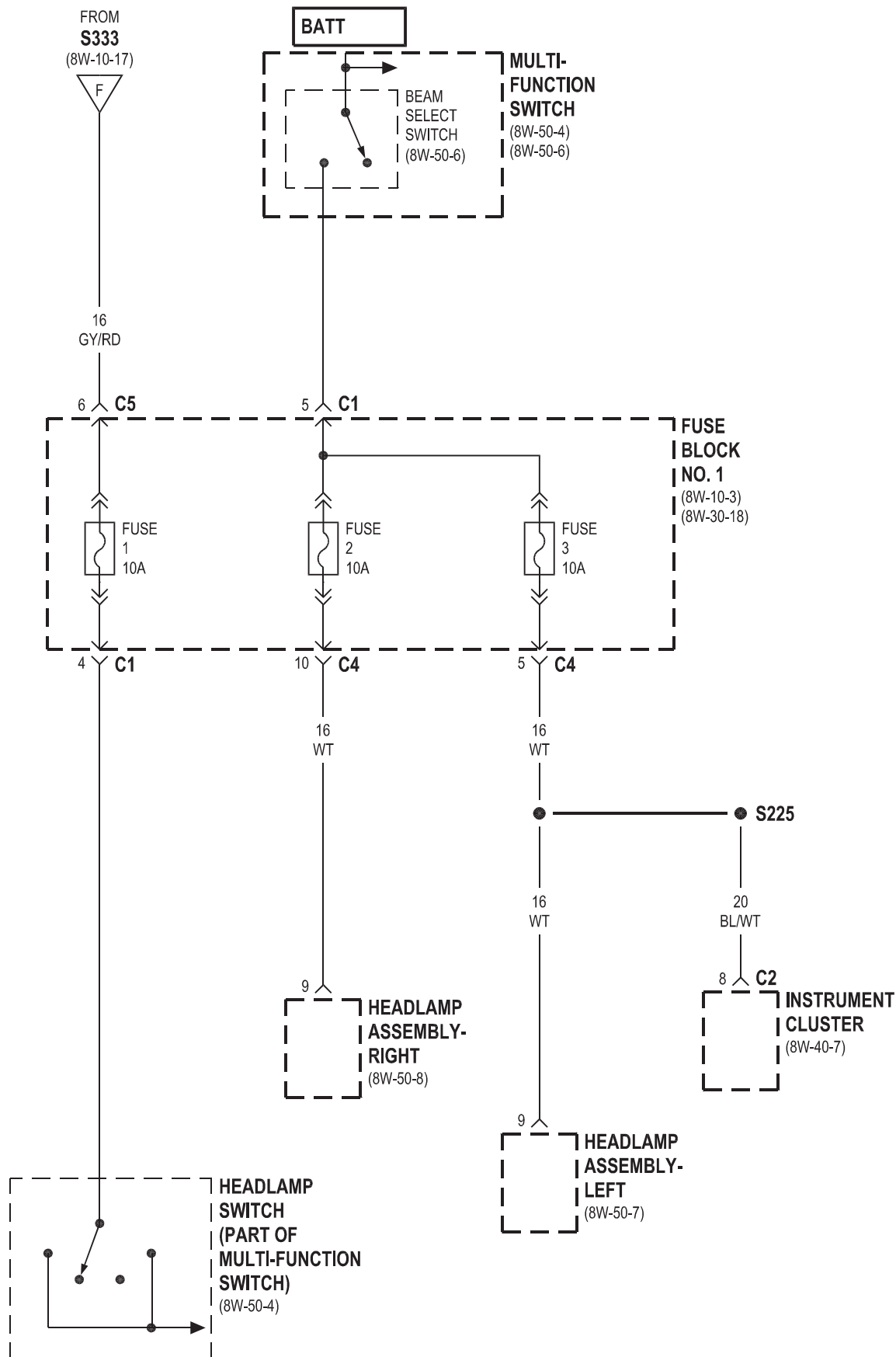


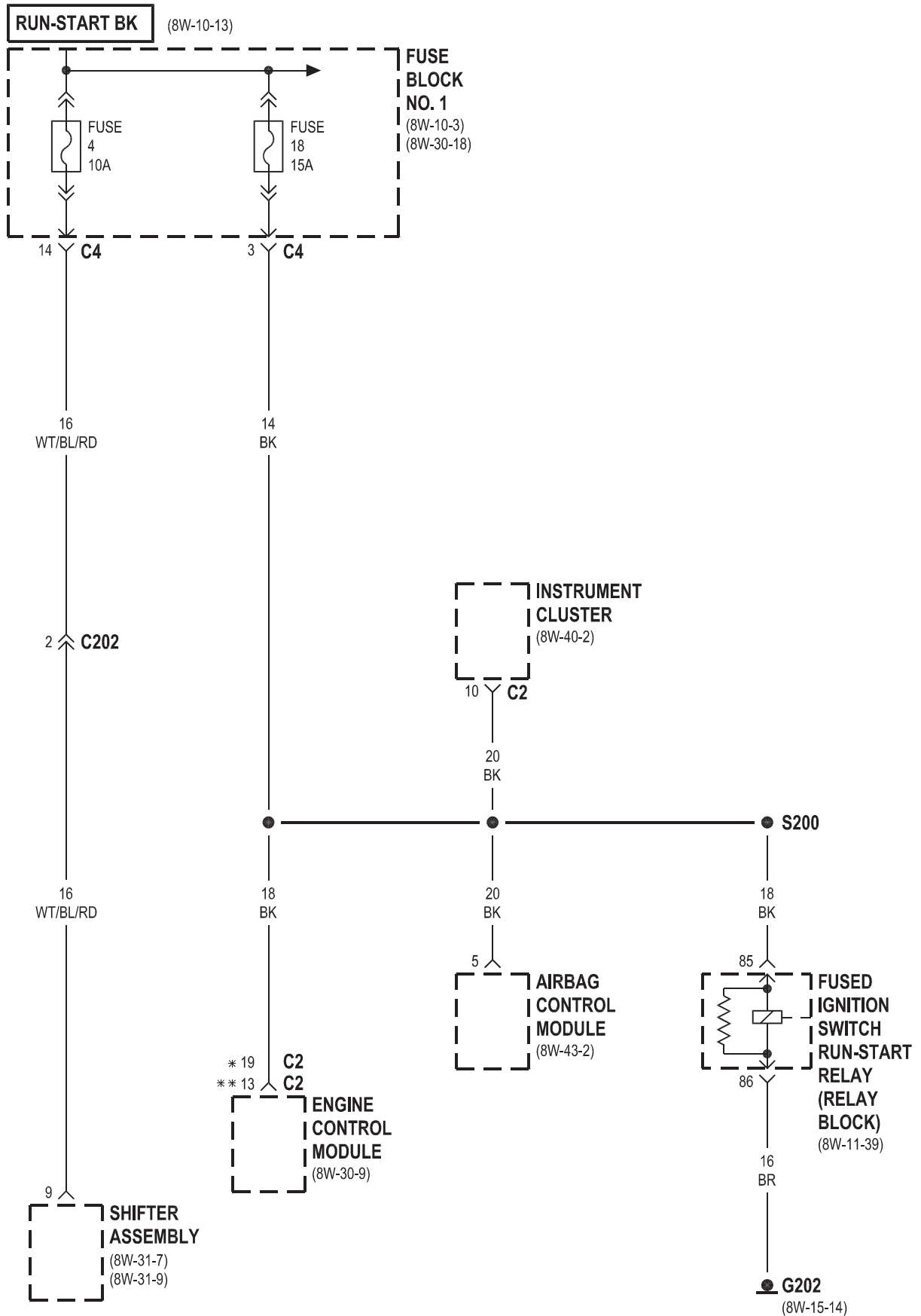


* OBD
 ** EXCEPT OBD

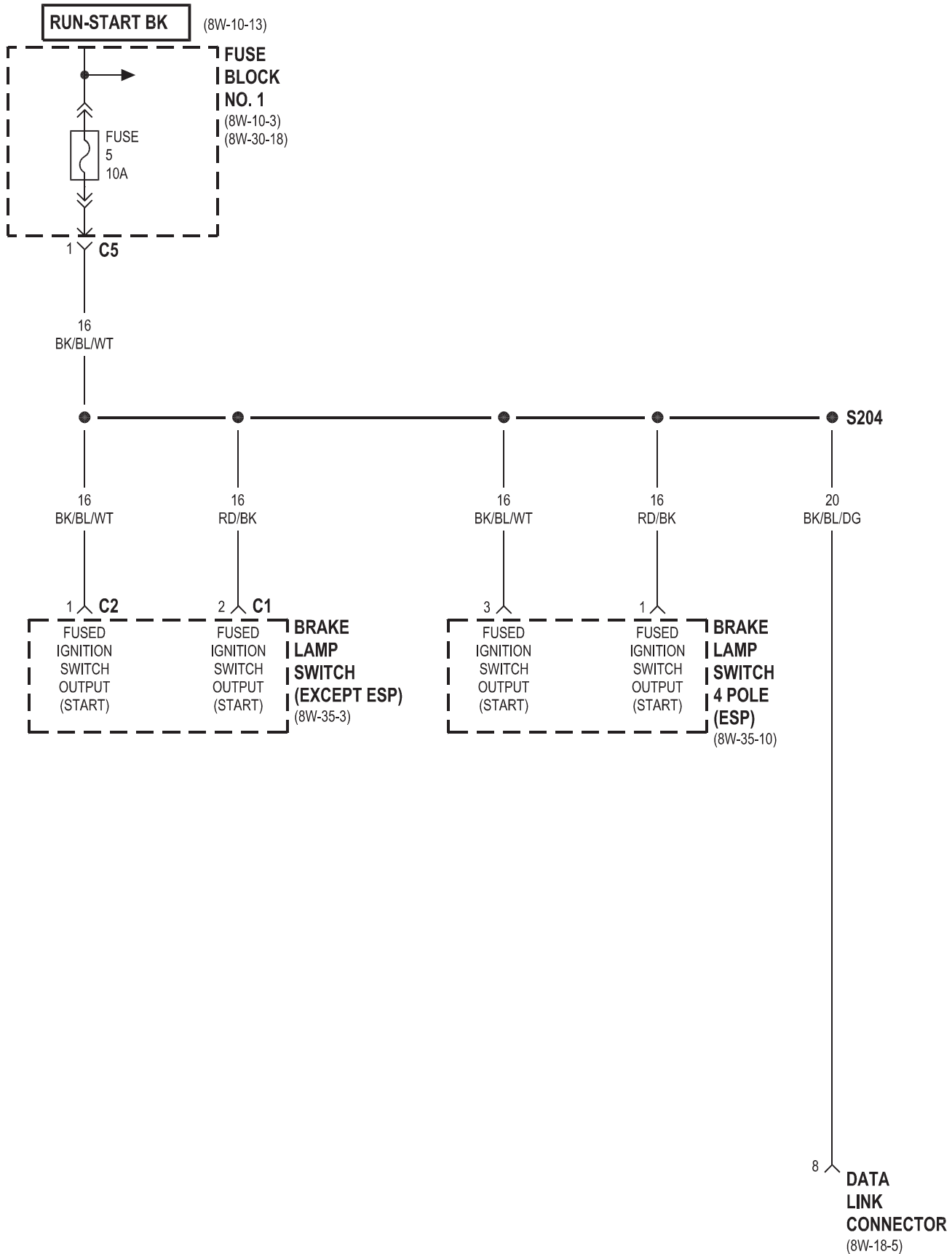


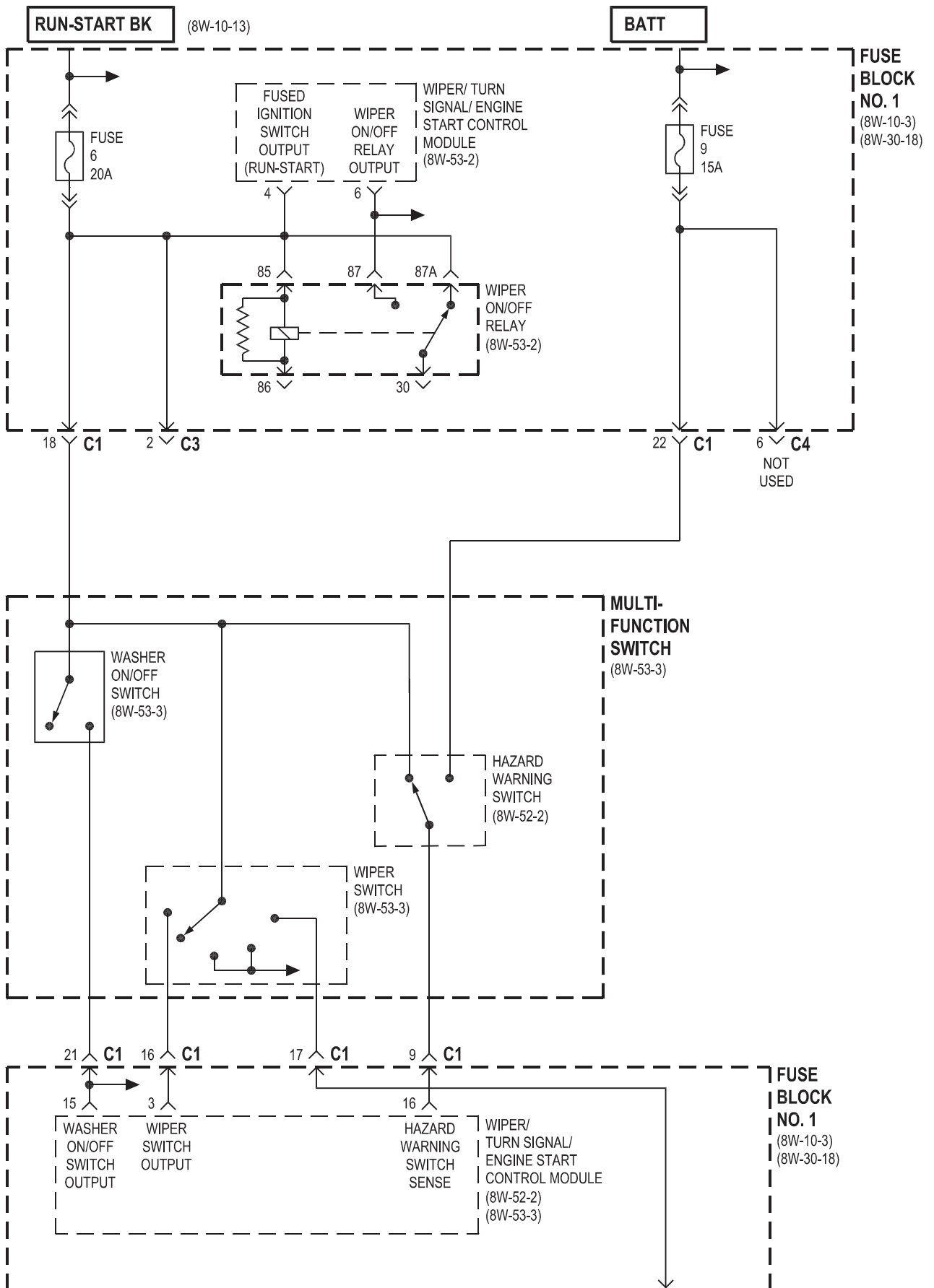


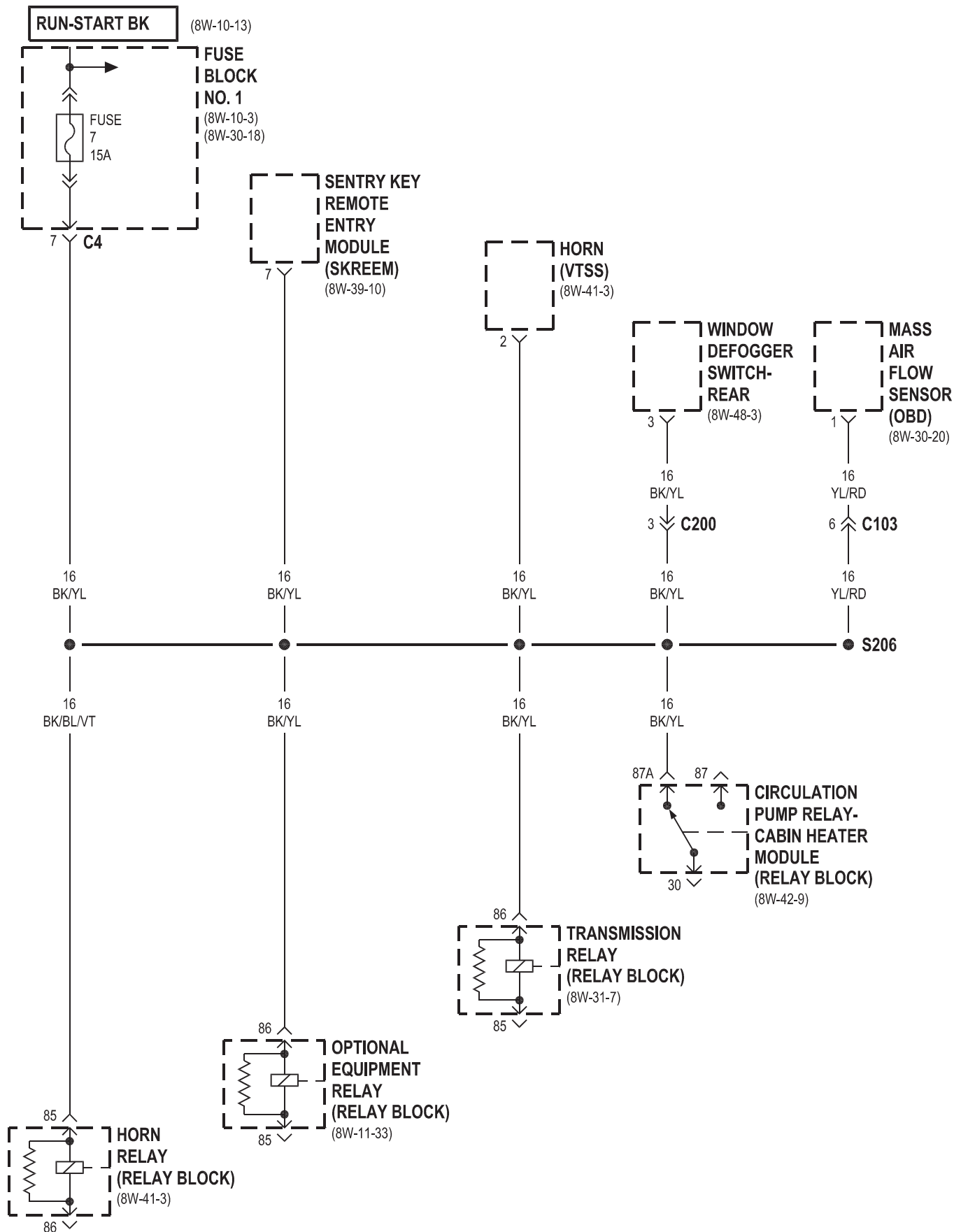


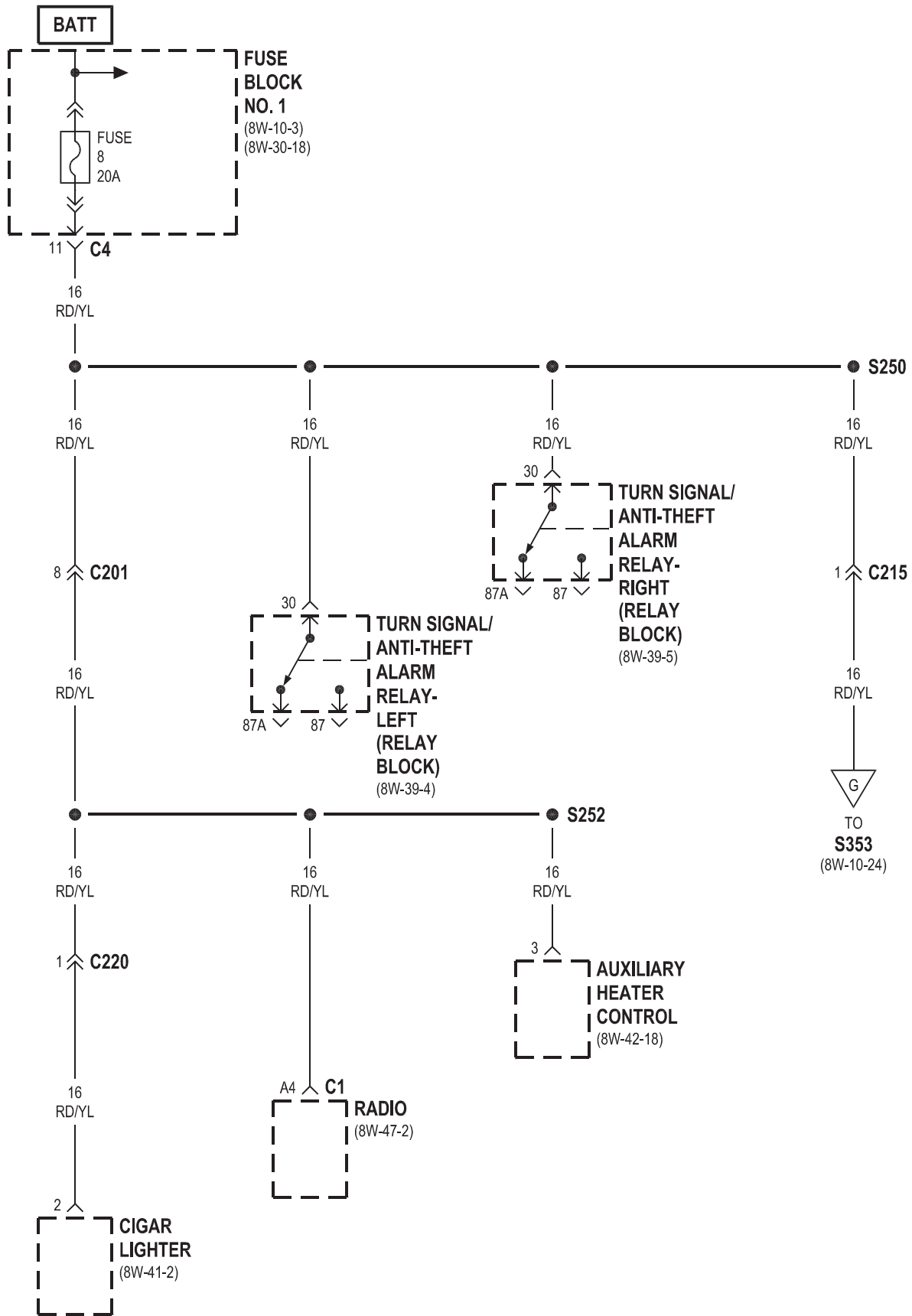


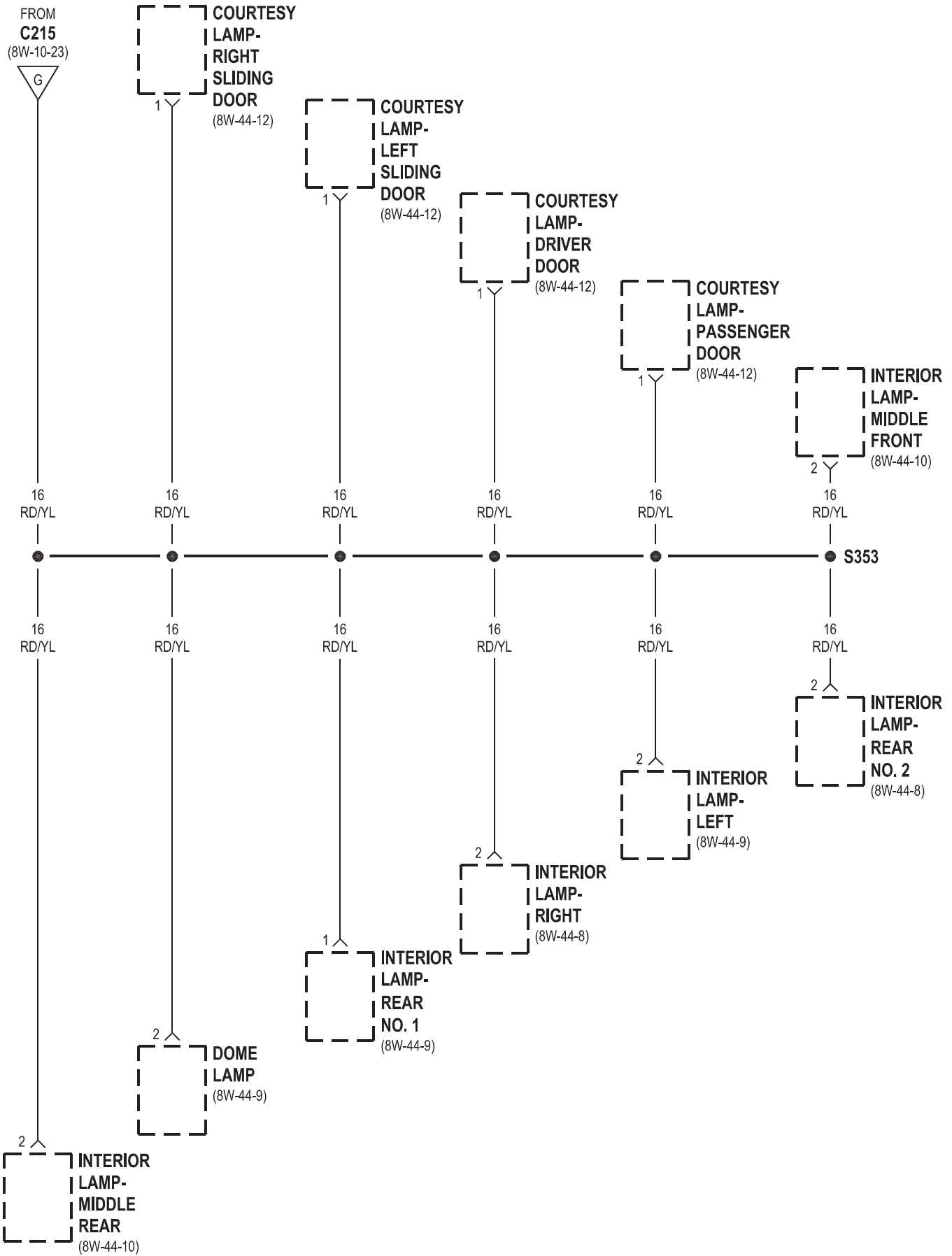
* OBD
 ** EXCEPT OBD

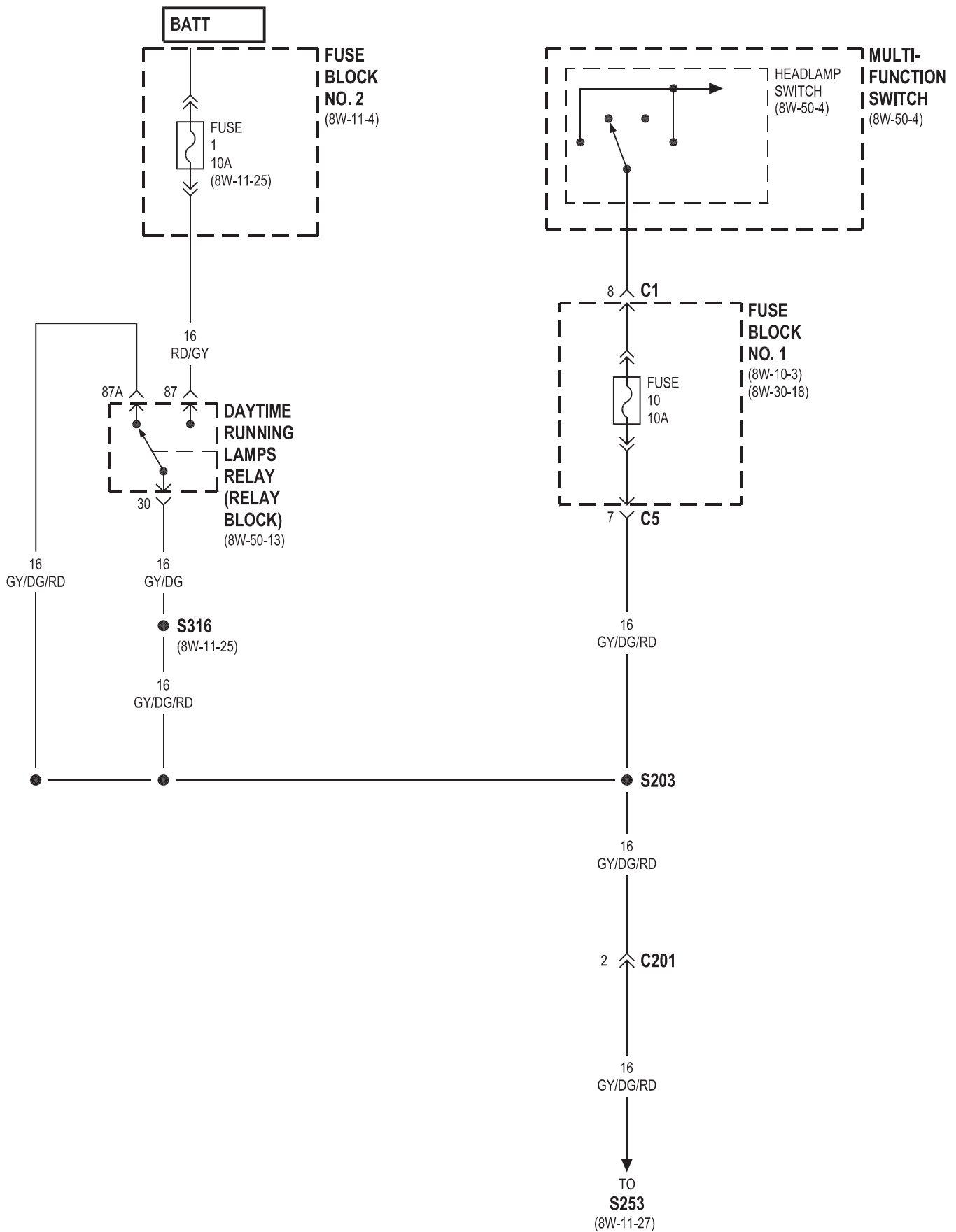


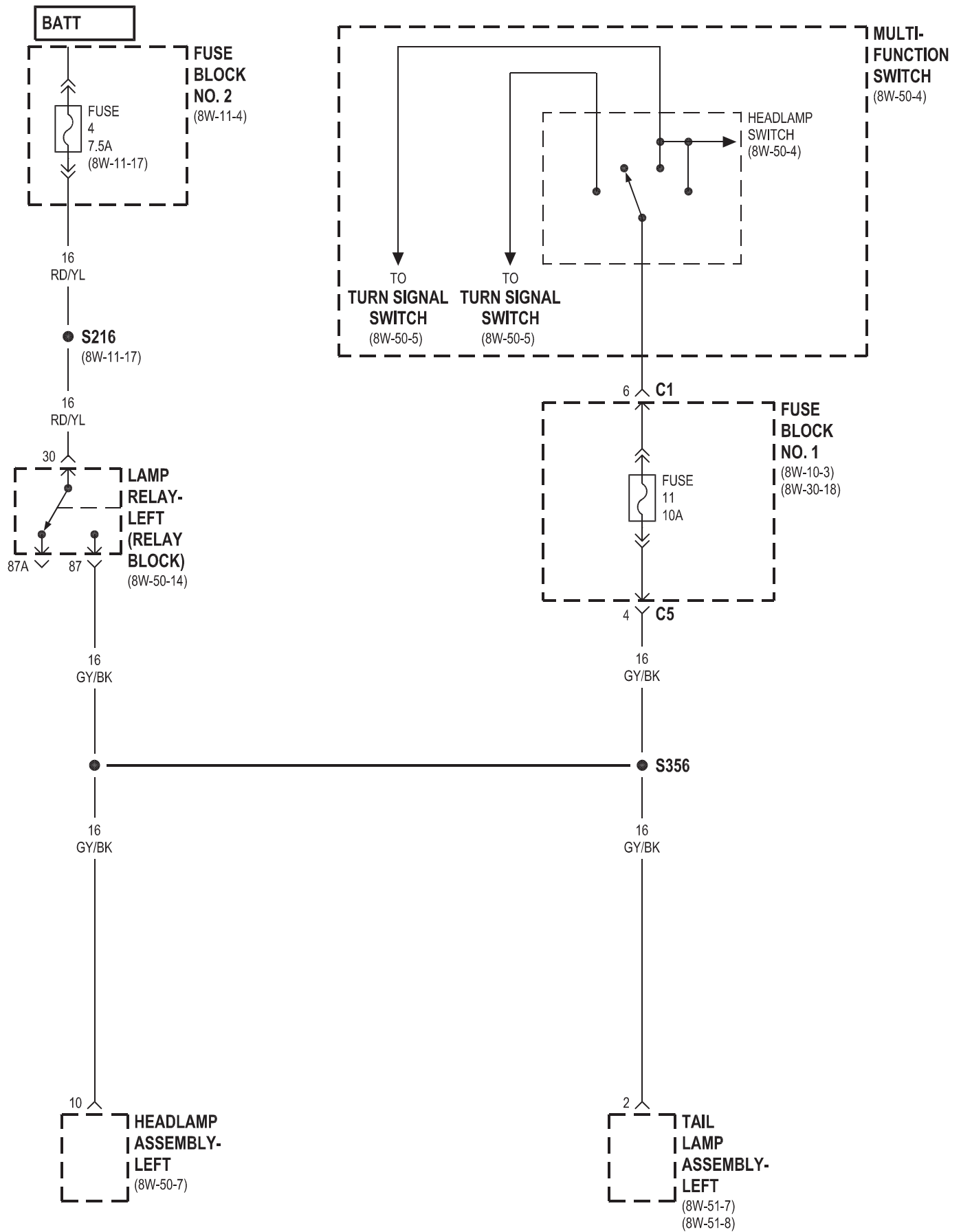


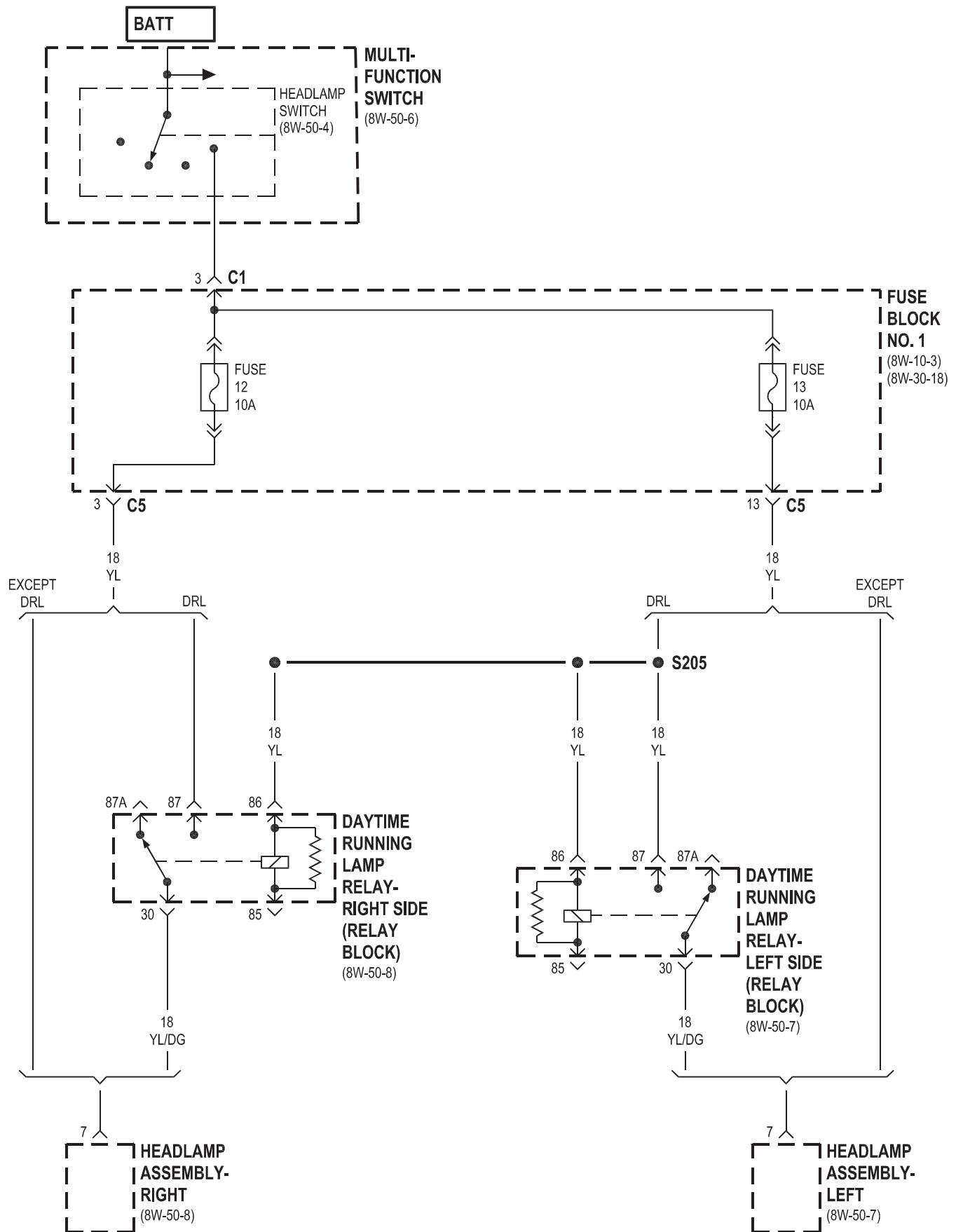


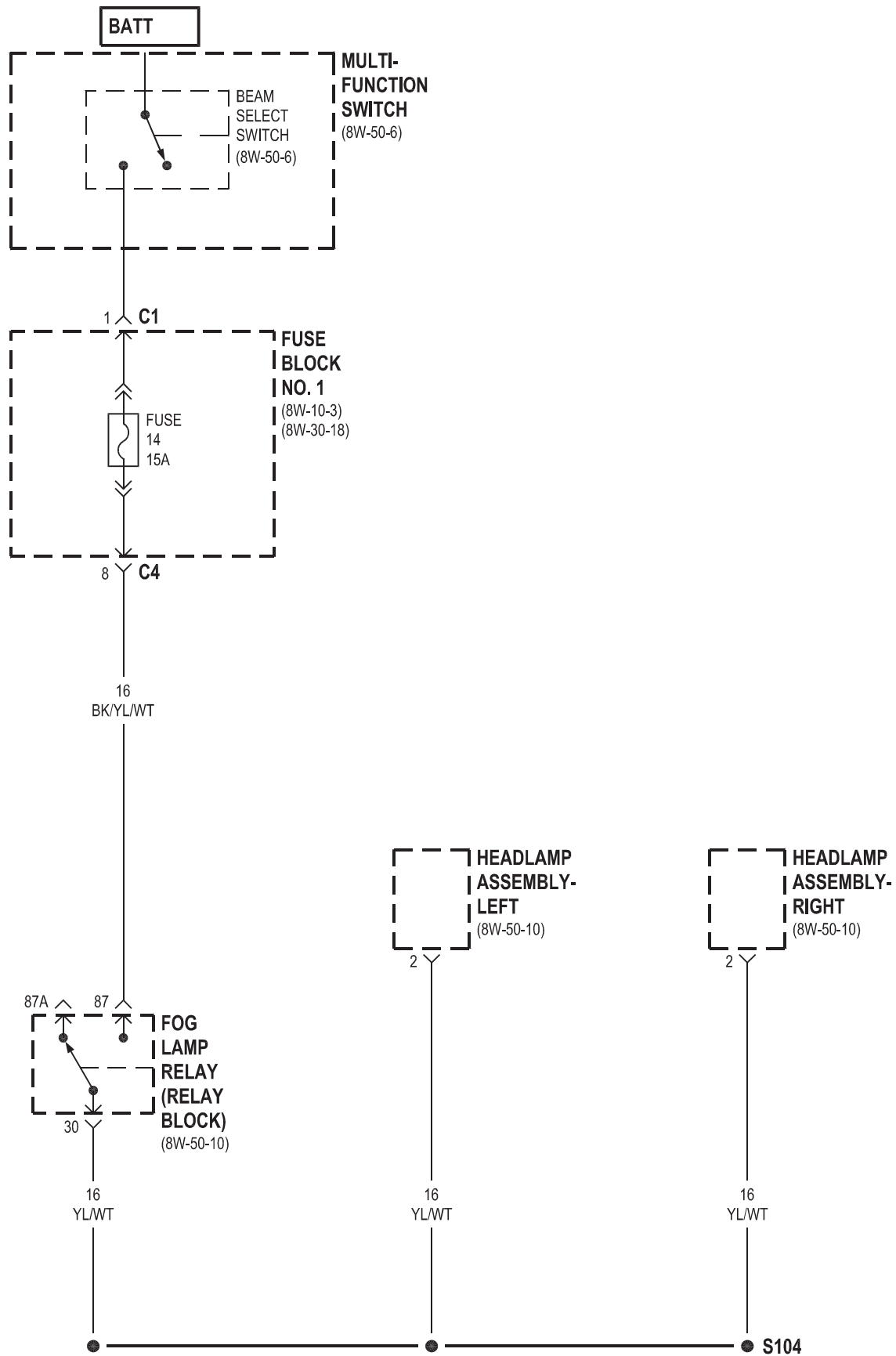


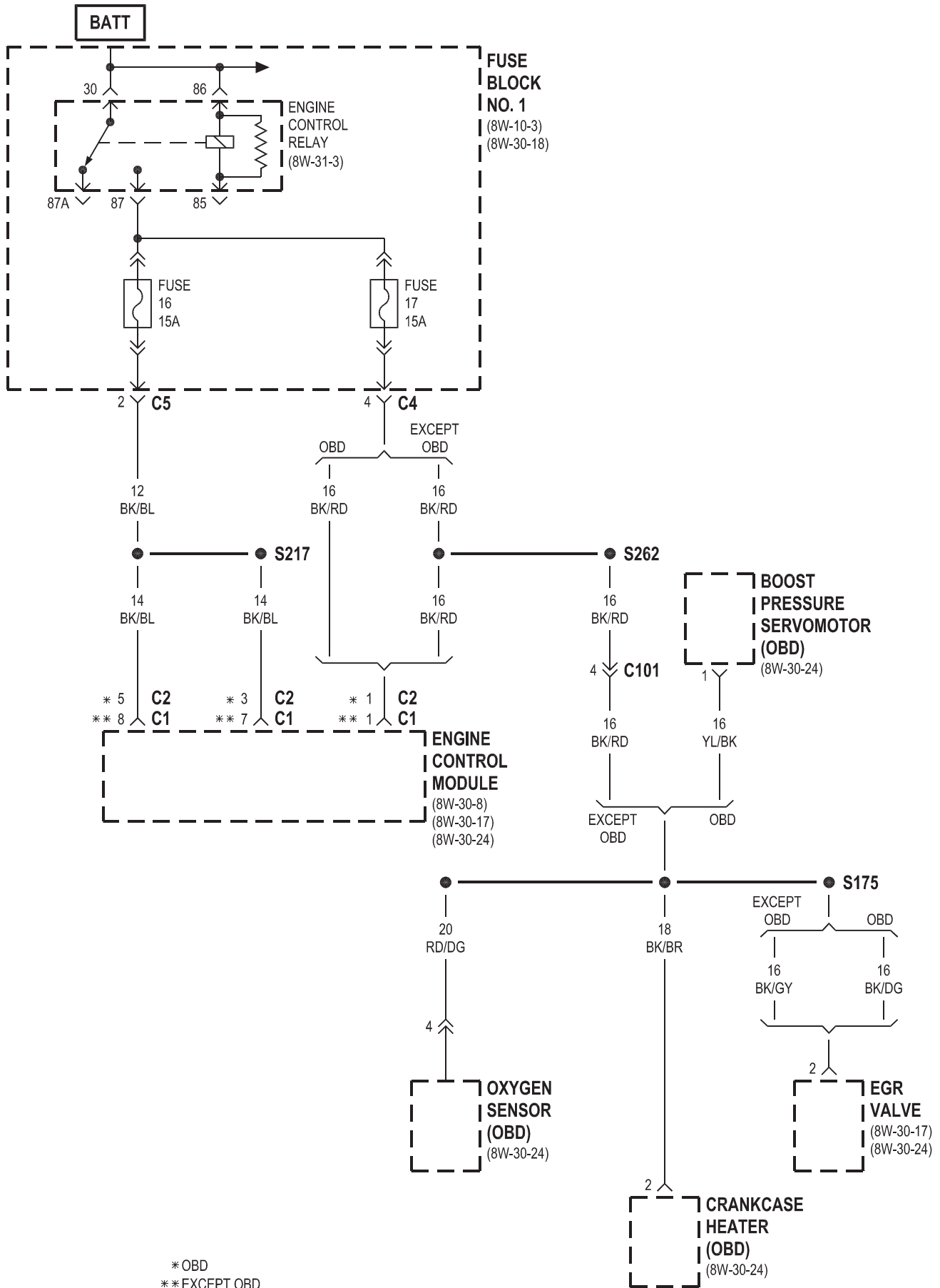


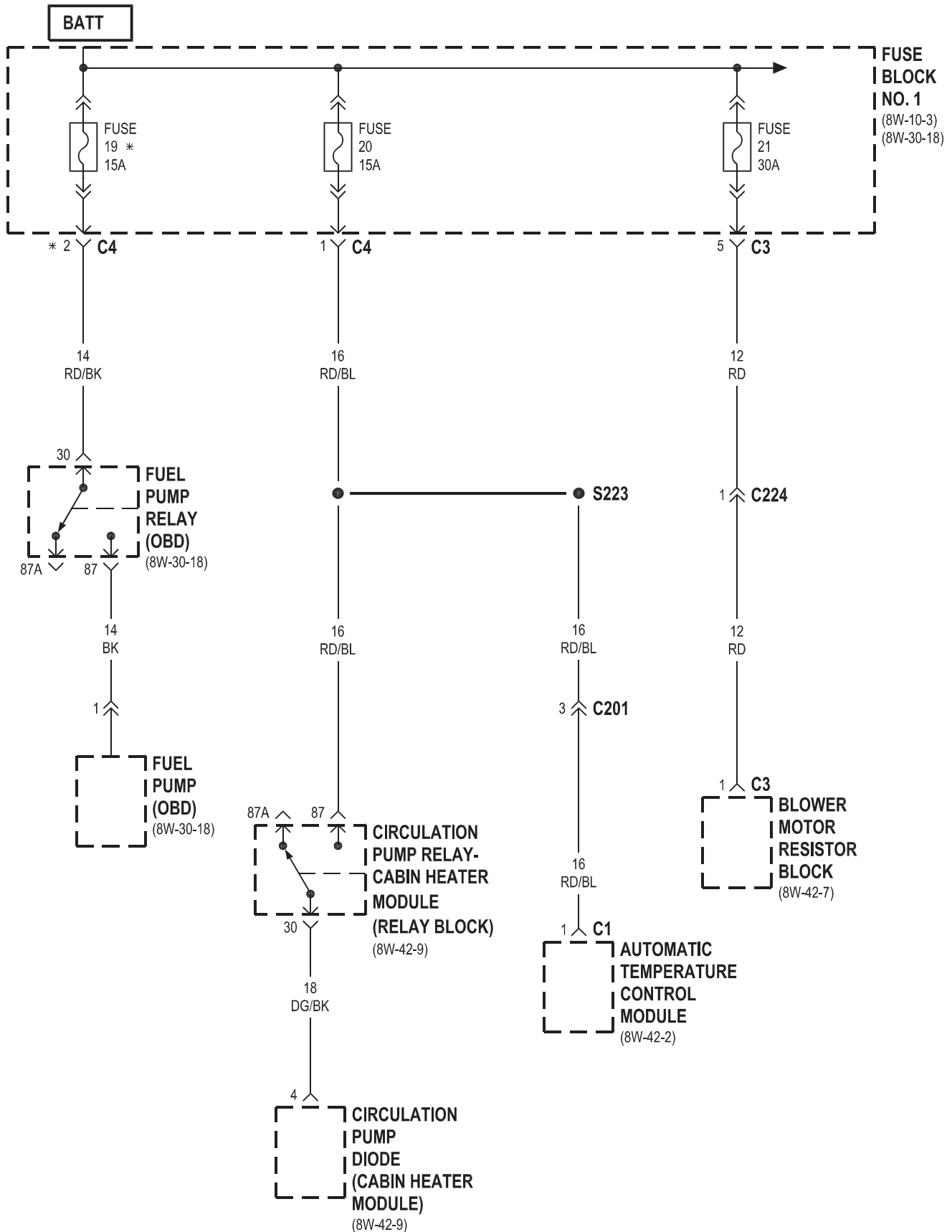




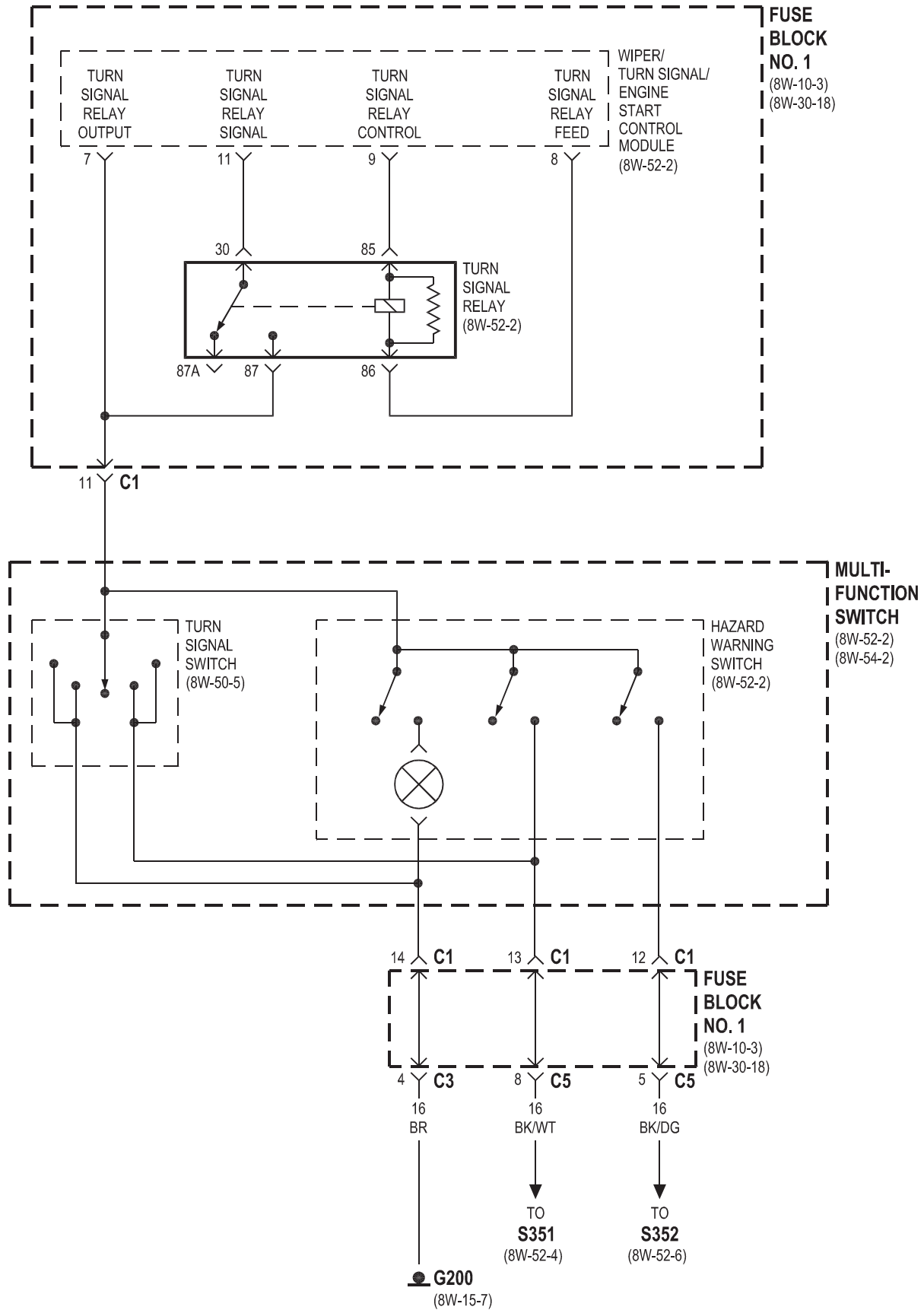


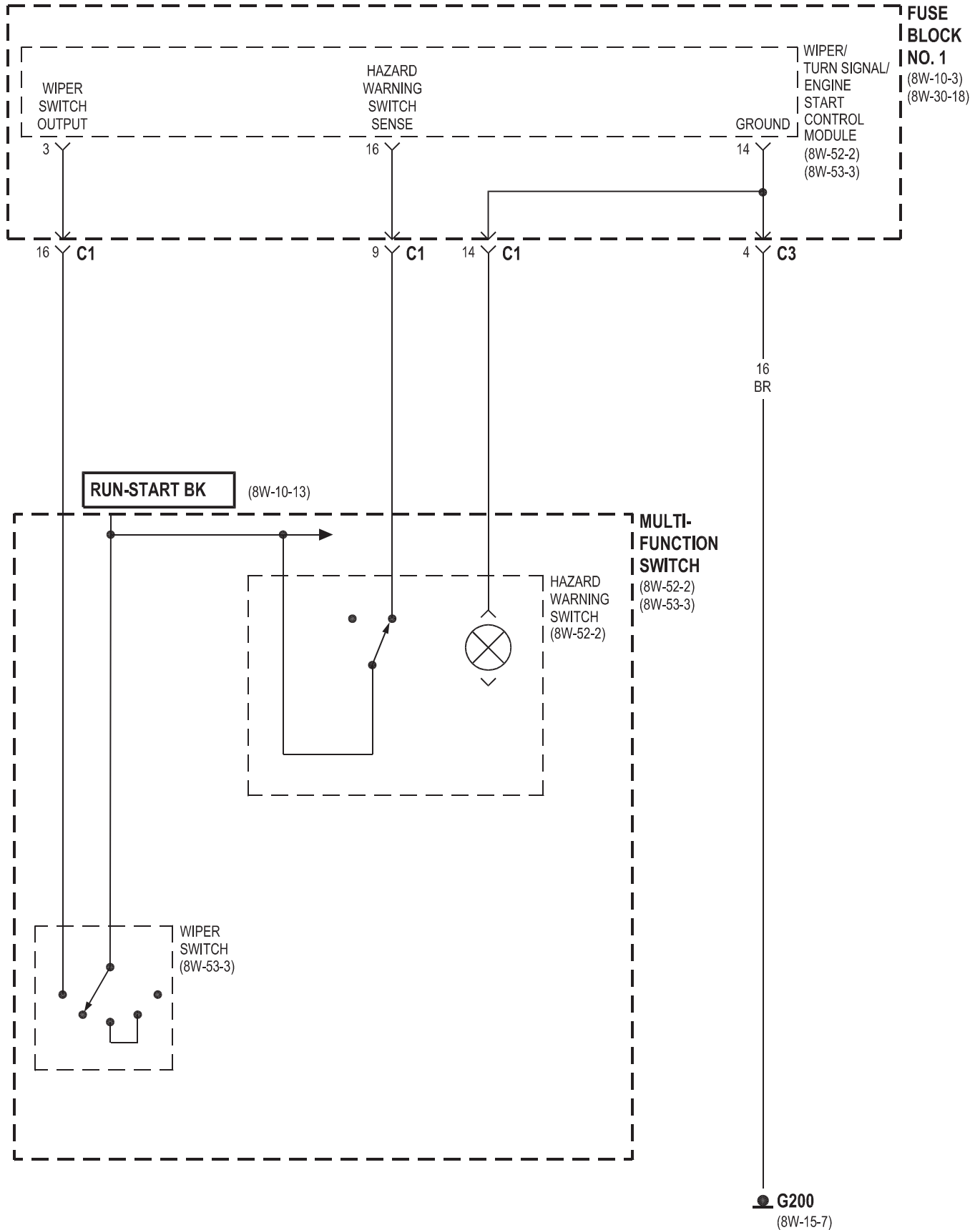


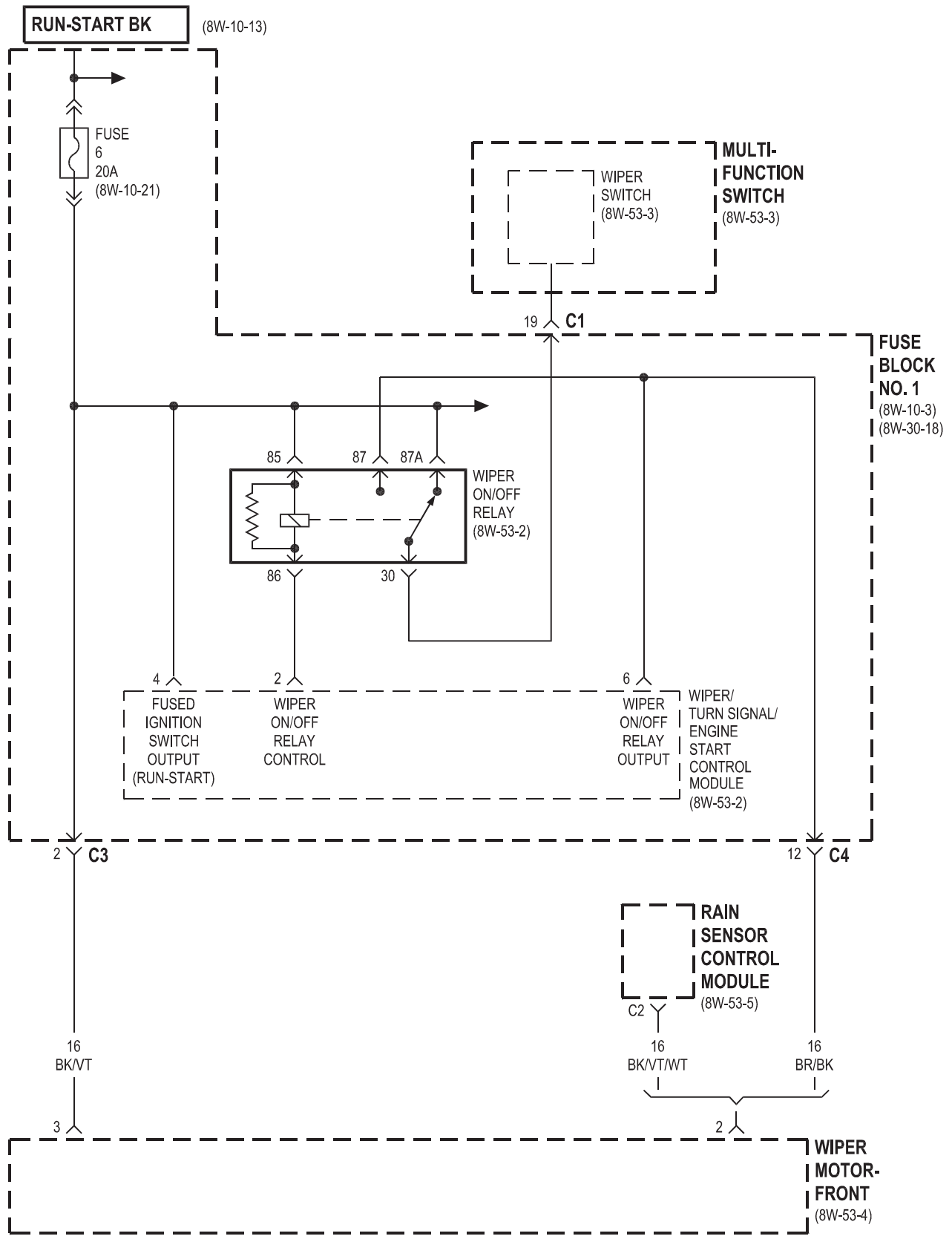


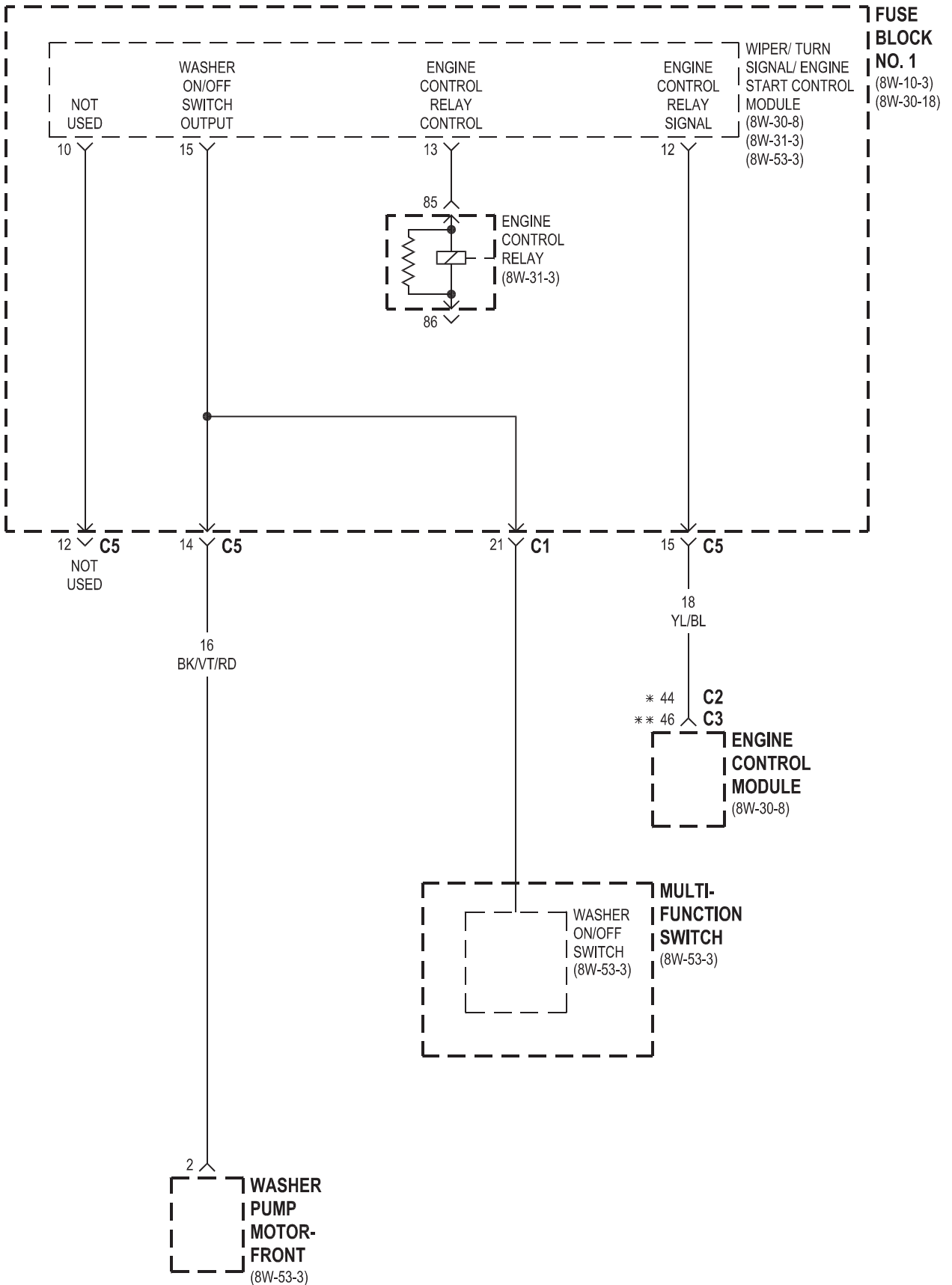


* OBD





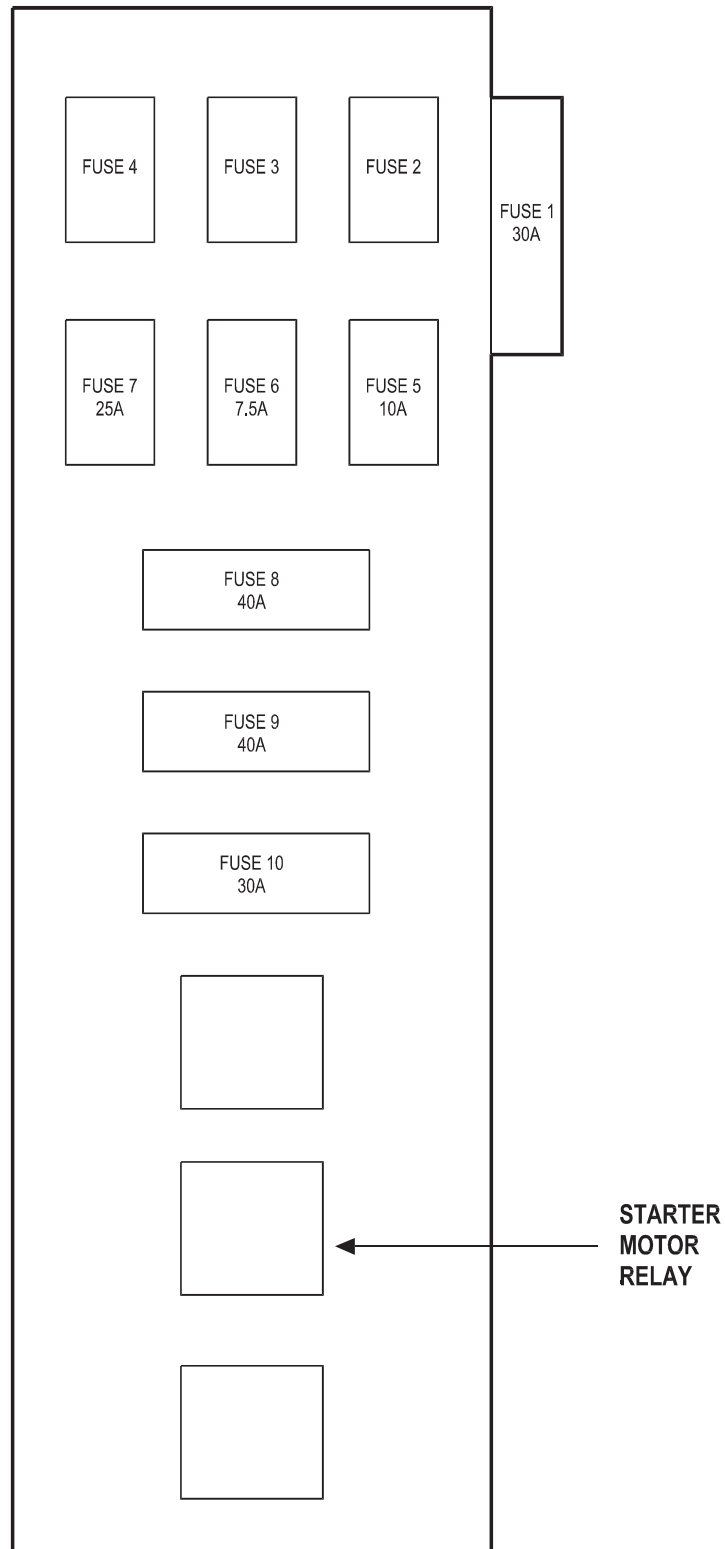




8W-11 FUSE BLOCK

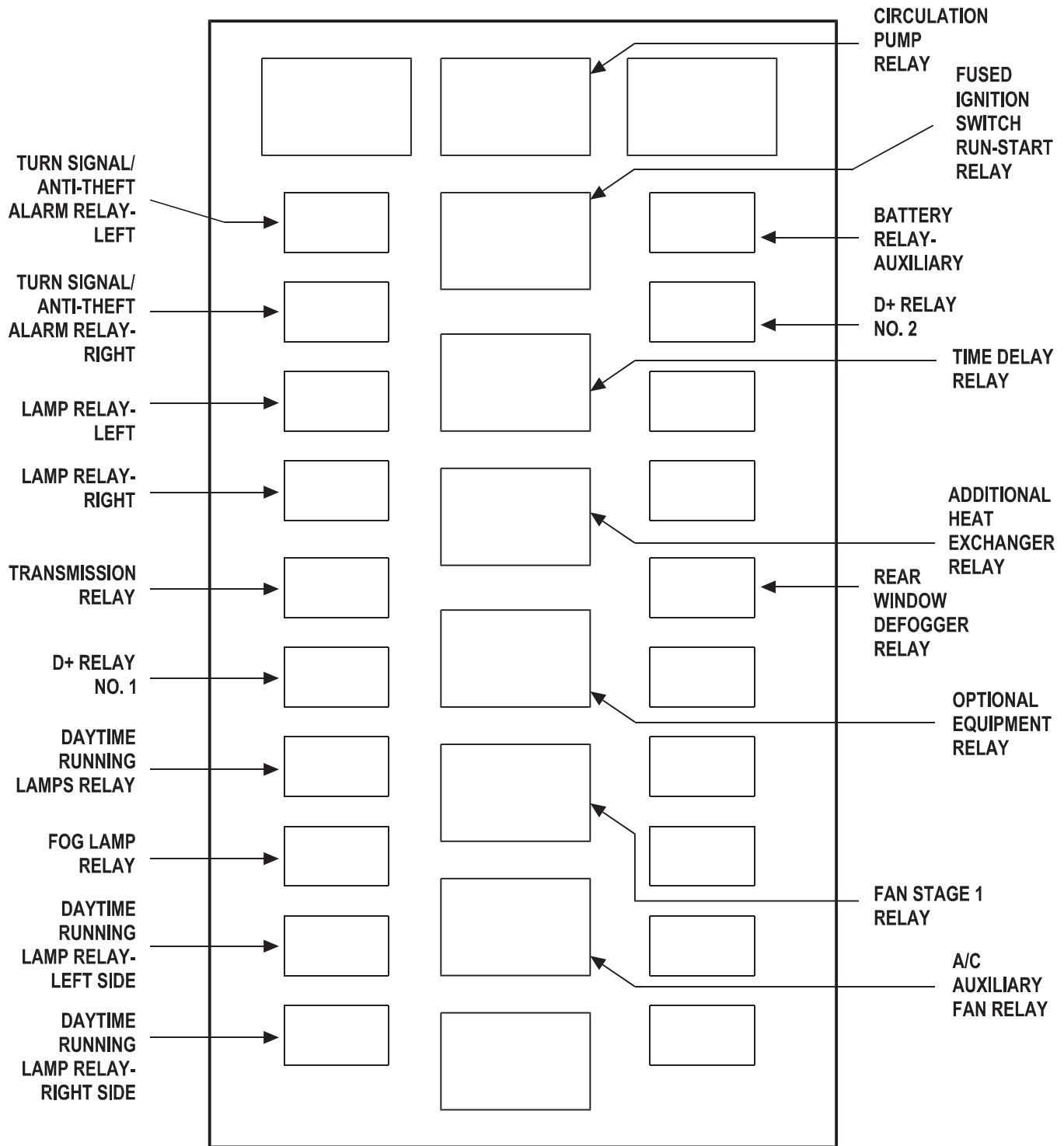
Component	Page	Component	Page
A/C Auxiliary Fan Relay	8W-11-19	Instrument Cluster	8W-11-18, 25
Additional Heat Exchanger Relay	8W-11-24, 34	Instrument Panel Socket	8W-11-25
Additional Heat Exchanger Switch	8W-11-27	Interior Light Switch	8W-11-22, 27
Ash Receiver Lamp	8W-11-27	Interior Light Switch-Driver	8W-11-22
Automatic Temperature Control Module	8W-11-16, 27	Interior Light Switch-Passenger	8W-11-22
Battery Relay-Auxiliary	8W-11-16	Interior Light Switch-Rear	8W-11-22
Body Plug Connector	8W-11-28, 38, 39	Interior Lighting Connector	8W-11-22
CTEL Connector	8W-11-21, 30	Intrusion Sensor No. 1	8W-11-37
Cabin Heater Module	8W-11-21, 34	Intrusion Sensor No. 2	8W-11-37
Central Timer Module	8W-11-16, 18	Intrusion Sensor No. 3	8W-11-37
Cigar Lighter Lamp	8W-11-27	Lamp Relay-Left	8W-11-16, 17
Circulation Pump Diode	8W-11-34	Lamp Relay-Right	8W-11-16, 17
Controller Antilock Brake	8W-11-21, 33	License Plate Lamp No. 1	8W-11-25
D+ Relay No. 1	8W-11-14, 15, 25, 38	License Plate Lamp No. 2	8W-11-25
D+ Relay No. 2	8W-11-16, 28, 38	Locker Switch No. 1	8W-11-27, 33
Data Link Connector	8W-11-18	Locker Switch No. 2	8W-11-33
Daytime Running Lamp Relay-Left Side	8W-11-15	Map/Reading Lamp Switch	8W-11-22, 27
Daytime Running Lamp Relay-Right Side	8W-11-15	Master Door Lock Switch	8W-11-27
Daytime Running Lamps Relay	8W-11-16, 25, 26	Multi-Function Switch	8W-11-26
Fan Stage 1 Relay	8W-11-24	Optional Equipment Relay	8W-11-29, 30, 31, 32, 33, 34
Fog Lamp Switch	8W-11-21, 27	Panic Alarm Switch	8W-11-27
Fuse 1	8W-11-13, 14, 19, 20, 25, 26	Power Distribution Center	8W-11-13, 17, 18, 19, 20, 21, 22, 23, 24, 25, 28, 29, 30, 31, 33, 36
Fuse 2	8W-11-13, 17, 29, 30, 31, 33, 36, 37	Power Mirror Motor-Driver	8W-11-35
Fuse 3	8W-11-13, 14, 17, 18, 19, 20, 21, 22, 23, 24, 25, 28	Power Mirror Motor-Passenger	8W-11-35
Fuse 4	8W-11-13, 14, 17, 21	Power Mirror Switch	8W-11-35
Fuse 5	8W-11-13, 14, 18, 21, 23	Power Window Switch-Driver	8W-11-30
Fuse 6	8W-11-13, 18, 24, 29, 33, 36	Power Window Switch-Master	8W-11-31
Fuse 7	8W-11-13, 21, 29, 30, 33, 34	Power Window Switch-Passenger	8W-11-31
Fuse 8	8W-11-14, 20, 24, 29, 34, 35	Radio	8W-11-27
Fuse 9	8W-11-13, 14, 15, 16, 21, 25, 38	Rear Window Defogger Relay	8W-11-19
Fuse 10	8W-11-14, 15, 19, 26, 36	Relay Block	8W-11-3, 14, 15, 16, 17, 19, 23, 24, 25, 28, 29, 30, 31, 32, 33, 34
Fuse 11	8W-11-14, 15, 20	Rollover Switch Assembly	8W-11-21, 34
Fuse 12	8W-11-28, 29, 33	Roof A/C Control Module	8W-11-20
Fuse 13	8W-11-28, 29, 30, 39	Roof A/C Switch	8W-11-16, 27
Fuse 14	8W-11-28, 29, 30, 38	Roof A/C Temperature Setting Control	8W-11-27
Fuse 15	8W-11-29, 31, 32	Roof Fan Switch	8W-11-27, 31
Fuse 18	8W-11-14, 22, 39	Security System Module	8W-11-30, 36, 37
Fuse 19	8W-11-16	Sentry Key Remote Entry Module	8W-11-23
Fuse 20	8W-11-29, 31	Shifter Assembly	8W-11-27
Fuse Block No. 1	8W-11-26, 33, 39	Siren	8W-11-37
Fuse Block No. 2	8W-11-4, 15, 17, 18, 25, 26, 28, 30, 31, 34, 38, 39	Steering Angle Sensor	8W-11-33
Fuse Block No. 3	8W-11-5, 16, 20, 21, 22, 24, 30, 31, 32, 33, 34, 36	TCS Switch	8W-11-27
Fuse/Relay Block	8W-11-2, 19, 20, 21, 23, 33	Time Delay Relay	8W-11-22
Fused Ignition Switch Run-Start Relay	8W-11-28, 39	Towing/Intrusion Sensor On/Off Switch	8W-11-27
G202	8W-11-16, 25, 33, 34, 38, 39	Trailer Tow Connector	8W-11-24
Headlamp Adjust Switch	8W-11-27	Trailer Tow Control Module	8W-11-24
Headlamp Assembly-Left	8W-11-15, 25	Transmission Relay	8W-11-17
Headlamp Assembly-Right	8W-11-15, 25	Turn Signal/Anti-Theft Alarm Relay-Left	8W-11-23
Headlamp Switch	8W-11-26	Turn Signal/Anti-Theft Alarm Relay-Right	8W-11-23
Heated Seat Switch-Driver	8W-11-27, 32	Warm Air Auxiliary Heater Assembly	8W-11-20
Heated Seat Switch-Passenger	8W-11-27, 32	Window Defogger Module-Rear	8W-11-16, 19
Heater Timer-Auxiliary	8W-11-20	Window Defogger Switch-Rear	8W-11-27
High Idle Switch	8W-11-27, 33		

FUSE/ RELAY BLOCK



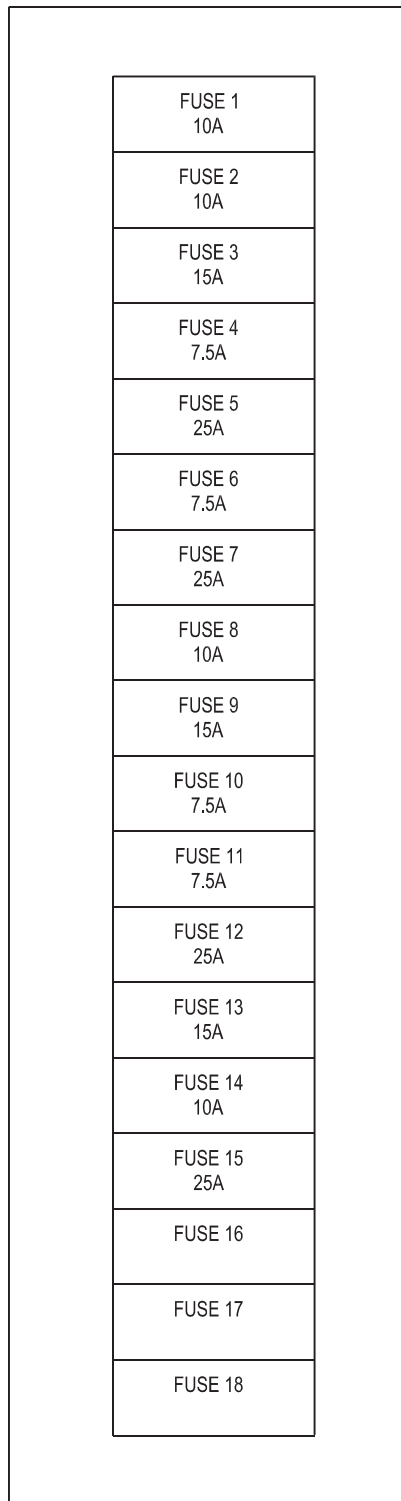
**NOTE: THE FUSE AND RELAY LOCATIONS SHOWN HERE
MAY VARY FROM VEHICLE TO VEHICLE.**

RELAY BLOCK



NOTE: THE RELAY LOCATIONS SHOWN HERE
MAY VARY FROM VEHICLE TO VEHICLE.

FUSE BLOCK NO. 2



**NOTE: THE FUSE LOCATIONS SHOWN HERE
MAY VARY FROM VEHICLE TO VEHICLE.**

FUSE BLOCK NO. 3

FUSE 1 7.5A	FUSE 10 15A	FUSE 19 15A
FUSE 2 7.5A	FUSE 11 25A	FUSE 20 15A
FUSE 3 25A	FUSE 12 15A	FUSE 21 -
FUSE 4 25A	FUSE 13 7.5A	FUSE 22 -
FUSE 5 7.5A	FUSE 14 7.5A	FUSE 23 -
FUSE 6 25A	FUSE 15 15A	FUSE 24 -
FUSE 7 10A	FUSE 16 -	FUSE 25 -
FUSE 8 10A	FUSE 17 -	FUSE 26 -
FUSE 9 10A	FUSE 18 15A	FUSE 27 -

**NOTE: THE FUSE LOCATIONS SHOWN HERE
MAY VARY FROM VEHICLE TO VEHICLE.**

FUSES
FUSE/RELAY BLOCK

FUSE	AMPS	FUSED CIRCUIT	FUNCTION
1	30A	14BL/YL	FUSED B(+)
2	-	-	-
3	-	-	-
4	-	-	-
5	10A	16RD/YL	FUSED B(+)
6	7.5A	18BK/RD	OPTIONAL EQUIPMENT RELAY OUTPUT
7	25A	14RD	FUSED B(+)
8	40A	12RD	FUSED B(+)
9	40A	12RD	FUSED B(+)
10	30A	12RD/GY	FUSED B(+)

FUSES
FUSE BLOCK NO. 2

FUSE	AMPS	FUSED CIRCUIT	FUNCTION
1	10A	16RD/GY	FUSED B(+)
2	10A	16RD	FUSED B(+)
3	15A	16RD	FUSED B(+)
4	7.5A	16RD/YL	FUSED B(+)
5	25A	14RD/WT	FUSED B(+)
6	7.5A	18RD/YL	FUSED B(+)
7	25A	16BK/YL	OPTIONAL EQUIPMENT RELAY OUTPUT
8	10A	16BK/RD	OPTIONAL EQUIPMENT RELAY OUTPUT
9	15A	16RD/YL/WT	FUSED D+ RELAY NO. 1 OUTPUT
10	7.5A	16RD/YL/WT	FUSED D+ RELAY NO. 1 OUTPUT
11	7.5A	16RD/YL/WT	FUSED D+ RELAY NO. 1 OUTPUT
12	25A	14RD	FUSED B(+)
13	15A	14RD	FUSED B(+)
14	10A	14RD	FUSED B(+)
15	25A	16BK/YL/DG	OPTIONAL EQUIPMENT RELAY OUTPUT

FUSES
FUSE BLOCK NO. 3

FUSE	AMPS	FUSED CIRCUIT	FUNCTION
1	7.5A	16RD	FUSED B(+)
2	7.5A	16RD/DG	FUSED B(+)
3	25A	12RD/DG	FUSED B(+)
4	25A	14RD	FUSED B(+)
5	7.5A	16RD	FUSED B(+)
6	25A	14RD	FUSED B(+)
7	10A	16BK	OPTIONAL EQUIPMENT RELAY OUTPUT
8	10A	12RD/WT	FUSED B(+)
9	10A	16RD/BK/WT	FUSED B(+)
10	15A	16RD/GY	FUSED B(+)
11	25A	14RD	FUSED B(+)
12	15A	16BK/RD	OPTIONAL EQUIPMENT RELAY OUTPUT
13	7.5A	18BK/YL	OPTIONAL EQUIPMENT RELAY OUTPUT
14	7.5A	16BK/GY	OPTIONAL EQUIPMENT RELAY OUTPUT
15	15A	16VT/YL	OPTIONAL EQUIPMENT RELAY OUTPUT
16	-	-	-
17	-	-	-
18	15A	16RD/YL	FUSED B(+)
19	15A	16RD/DG/VT	FUSED B(+)
20	15A	16BK/BL/WT	OPTIONAL EQUIPMENT RELAY OUTPUT

FUSE/RELAY BLOCK

STARTER
MOTOR
RELAY

CAVITY	CIRCUIT	FUNCTION
30	12BK/YL	STARTER MOTOR RELAY OUTPUT
85	18VT/DG	STARTER MOTOR RELAY CONTROL
86	18RD/BL (EXCEPT OBD)	STARTER MOTOR RELAY 12 VOLT SUPPLY
86	18BK/RD (OBD)	STARTER MOTOR RELAY 12 VOLT SUPPLY
87	12VT	IGNITION SWITCH OUTPUT (START)
87A	-	-

RELAY BLOCK

A/C
AUXILIARY
FAN
RELAY

CAVITY	CIRCUIT	FUNCTION
30	14BL/YL	FUSED B(+)
85	18BR	GROUND
86	18BK/RD	A/C AUXILIARY FAN RELAY HIGH SIDE CONTROL
87	14DG/BK	A/C AUXILIARY FAN RELAY OUTPUT
87A	-	-

ADDITIONAL
HEAT
EXCHANGER
RELAY

CAVITY	CIRCUIT	FUNCTION
30	12RD/DG	FUSED B(+)
85	18BK	FUSED OPTIONAL EQUIPMENT RELAY OUTPUT
86	18BR	GROUND
87	12RD/BL	AUXILIARY HEATER RELAY OUTPUT
87A	-	-

BATTERY
RELAY-
AUXILIARY

CAVITY	CIRCUIT	FUNCTION
30	4RD (HEAVY DUTY)	AUXILIARY B(+)
30	6YL (EXCEPT HEAVY DUTY)	AUXILIARY B(+)
85	16BR	GROUND
86	16RD/DG/VT	FUSED D+ RELAY NO. 1 OUTPUT
87A	-	-
87	6RD (EXCEPT HEAVY DUTY)	B(+)
87	4RD (HEAVY DUTY)	B(+)

RELAY BLOCK

CIRCULATION
PUMP
RELAY-
CABIN
HEATER
MODULE

CAVITY	CIRCUIT	FUNCTION
30	18DG/BK	CIRCULATION PUMP RELAY OUTPUT
85	16BR	GROUND
86	16BL/YL	CIRCULATION PUMP RELAY HIGH SIDE CONTROL
87	16RD/BL	FUSED B(+)
87A	16BK/YL	FUSED IGNITION SWITCH OUTPUT (RUN-START)

DAYTIME
RUNNING
LAMPS
RELAY

CAVITY	CIRCUIT	FUNCTION
30	16GY/DG	DAYTIME RUNNING LAMP RELAY OUTPUT
85	16BR	GROUND
86	16RD/BK	FUSED D+ RELAY NO. 1 OUTPUT
87	16RD/GY	FUSED B(+)
87A	16GY/DG/RD	DAYTIME RUNNING LAMP RELAY OUTPUT

DAYTIME
RUNNING
LAMP RELAY-
LEFT SIDE

CAVITY	CIRCUIT	FUNCTION
30	18YL/DG	DAYTIME RUNNING LAMP RELAY-LEFT SIDE OUTPUT
85	16BR	GROUND
86	16YL	HEADLAMP SWITCH OUTPUT
87	18YL	HEADLAMP SWITCH OUTPUT
87A	16RD/YL/WT	FUSED D+ RELAY NO. 1 OUTPUT

DAYTIME
RUNNING
LAMP RELAY-
RIGHT SIDE

CAVITY	CIRCUIT	FUNCTION
30	18YL/DG	DAYTIME RUNNING LAMP RELAY-RIGHT SIDE OUTPUT
85	16BR	GROUND
86	16YL	HEADLAMP SWITCH OUTPUT
87	18YL	HEADLAMP SWITCH OUTPUT
87A	16RD/YL/WT	FUSED D+ RELAY NO. 1 OUTPUT

RELAY BLOCK

D+ RELAY
NO. 1

CAVITY	CIRCUIT	FUNCTION
30	10RD/YL	D+ RELAY NO. 1 OUTPUT
85	16BR	GROUND
86	20BL/VT	D+ RELAY NO. 1 CONTROL
87	10RD	FUSED B(+)
87A	16BR	GROUND

D+ RELAY
NO. 2

CAVITY	CIRCUIT	FUNCTION
30	14RD	FUSED B(+)
85	16RD/BK	FUSED D+ RELAY NO. 1 OUTPUT
86	16BR	GROUND
87	14BL/YL	D+ RELAY NO. 2 OUTPUT
87A	-	-

FAN
STAGE 1
RELAY

CAVITY	CIRCUIT	FUNCTION
30	14BK/VT	FAN STAGE 1 RELAY OUTPUT
85	16BR	GROUND
86	16BL/YL	FAN STAGE 1 RELAY HIGH SIDE CONTROL
87	16RD/WT	FUSED B(+)
87A	-	-

FOG
LAMP
RELAY

CAVITY	CIRCUIT	FUNCTION
30	16YL/WT	FOG LAMP RELAY OUTPUT
85	18BR	GROUND
86	18RD/BK	FUSED B(+)
87	16BK/YL/WT	BEAM SELECT SWITCH OUTPUT
87A	-	-

RELAY BLOCK

FUSED
IGNITION
SWITCH
RUN-START
RELAY

CAVITY	CIRCUIT	FUNCTION
30	14RD	FUSED B(+)
85	18BK	FUSED IGNITION SWITCH OUTPUT (RUN-START)
86	16BR	GROUND
87	14BK/YL	FUSED IGNITION SWITCH RUN-START RELAY OUTPUT
87A	-	-

HORN
RELAY

CAVITY	CIRCUIT	FUNCTION
30	16BR	GROUND
85	16BK/BL/VT	FUSED IGNITION SWITCH OUTPUT (RUN-START)
86	16BK/YL	HORN RELAY CONTROL
87	16BK/BR	HORN RELAY OUTPUT
87A	-	-

LAMP RELAY-
LEFT

CAVITY	CIRCUIT	FUNCTION
30	16RD/YL	FUSED B(+)
85	16BR	GROUND
86	16RD/BK	FUSED D+ RELAY NO. 1 OUTPUT
87	16GY/BK	LEFT LAMP RELAY OUTPUT
87A	-	-

LAMP RELAY-
RIGHT

CAVITY	CIRCUIT	FUNCTION
30	16RD/YL	FUSED B(+)
85	16BR	GROUND
86	16RD/BK	FUSED D+ RELAY NO. 1 OUTPUT
87	16GY/RD	RIGHT LAMP RELAY OUTPUT
87A	-	-

RELAY BLOCK

OPTIONAL
EQUIPMENT
RELAY

CAVITY	CIRCUIT	FUNCTION
30	10RD	FUSED B(+)
85	16BR	GROUND
86	16BK/YL	FUSED IGNITION SWITCH OUTPUT (RUN-START)
87	10BK	OPTIONAL EQUIPMENT RELAY OUTPUT
87A	-	-

TRANSMISSION
RELAY

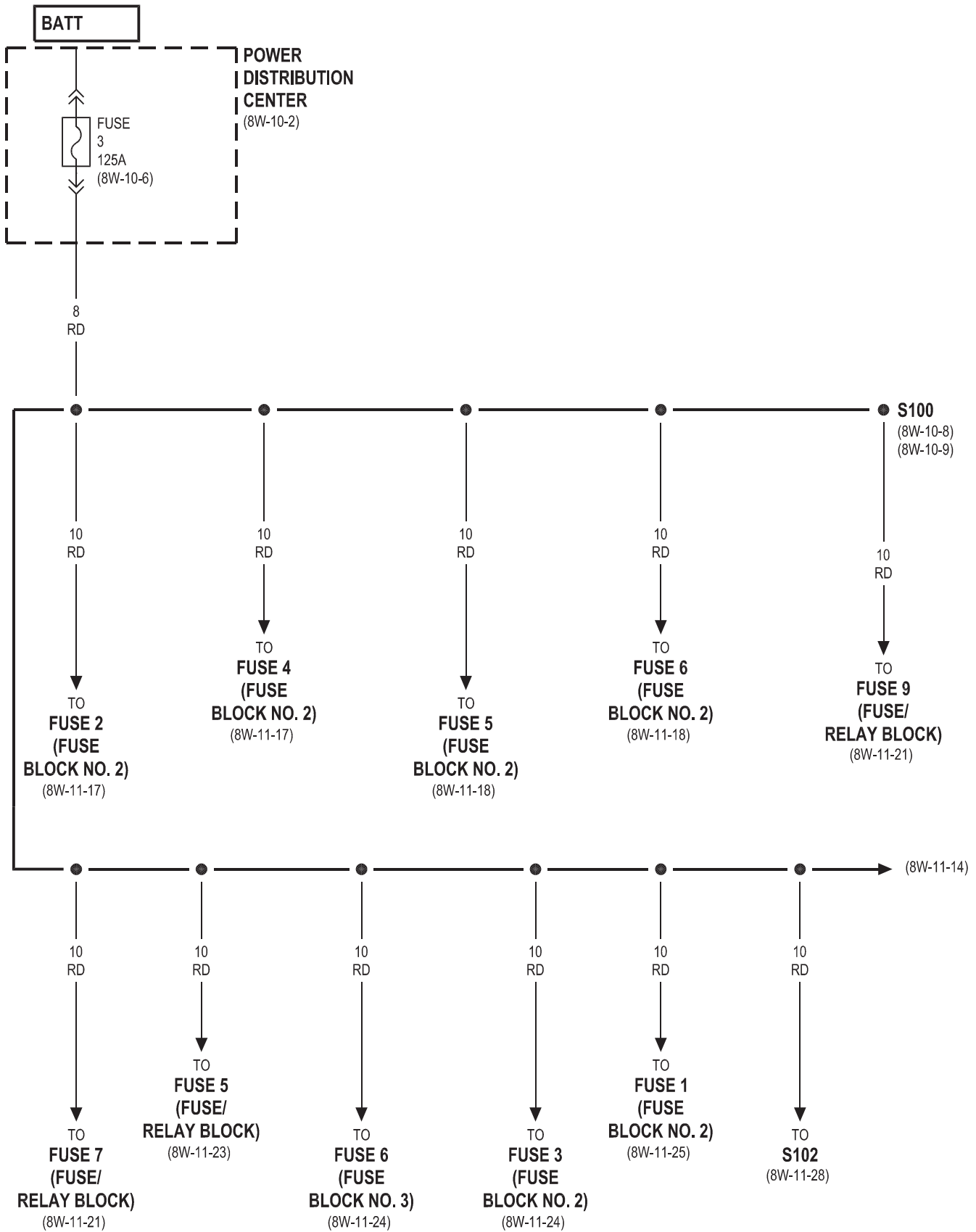
CAVITY	CIRCUIT	FUNCTION
30	16BK/DG	TRANSMISSION RELAY OUTPUT
85	16BR	GROUND
86	16BK/YL	FUSED IGNITION SWITCH OUTPUT (RUN-START)
87	16RD	FUSED B(+)
87A	-	-

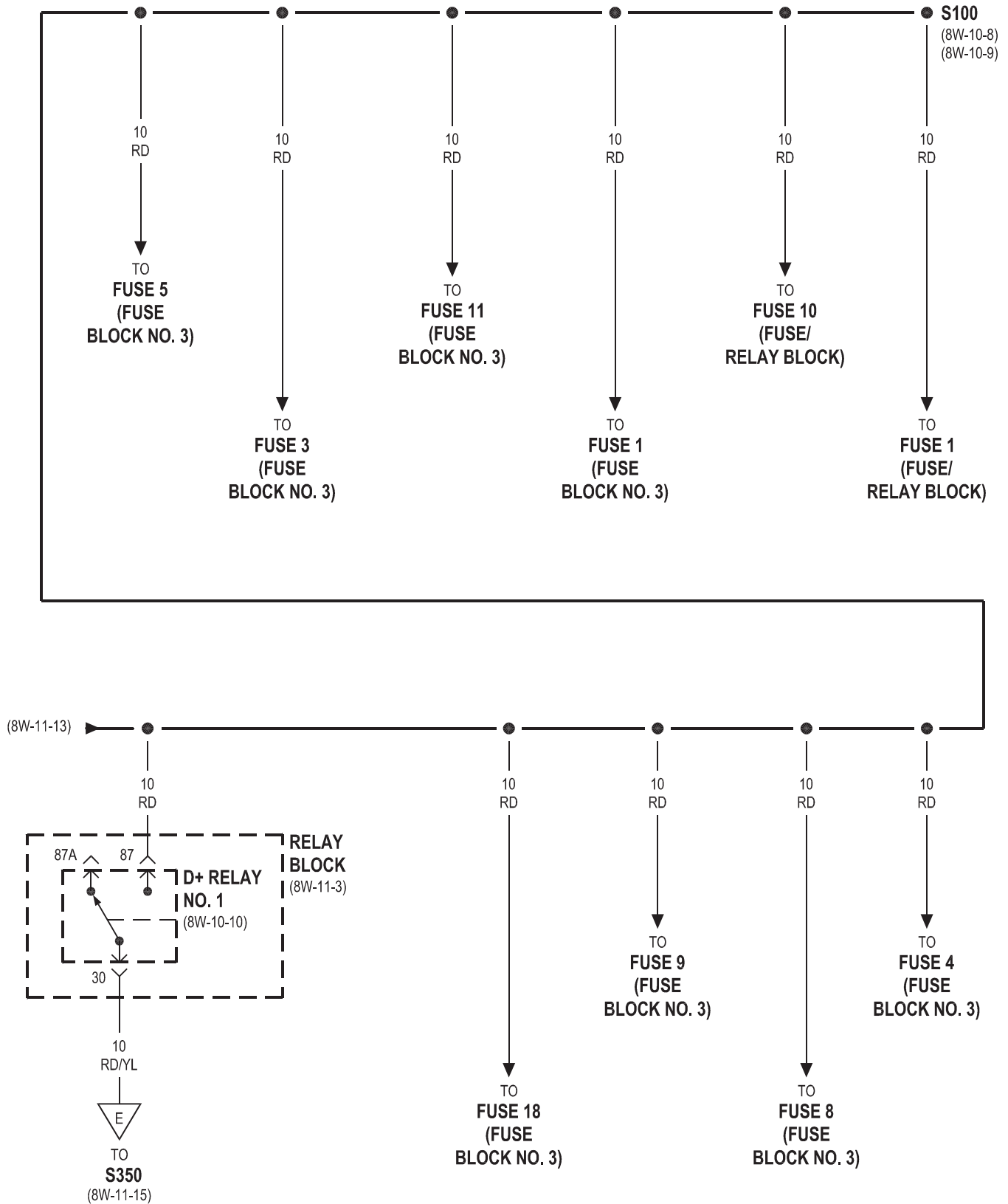
TURN SIGNAL/
ANTI-THEFT
ALARM RELAY-
LEFT

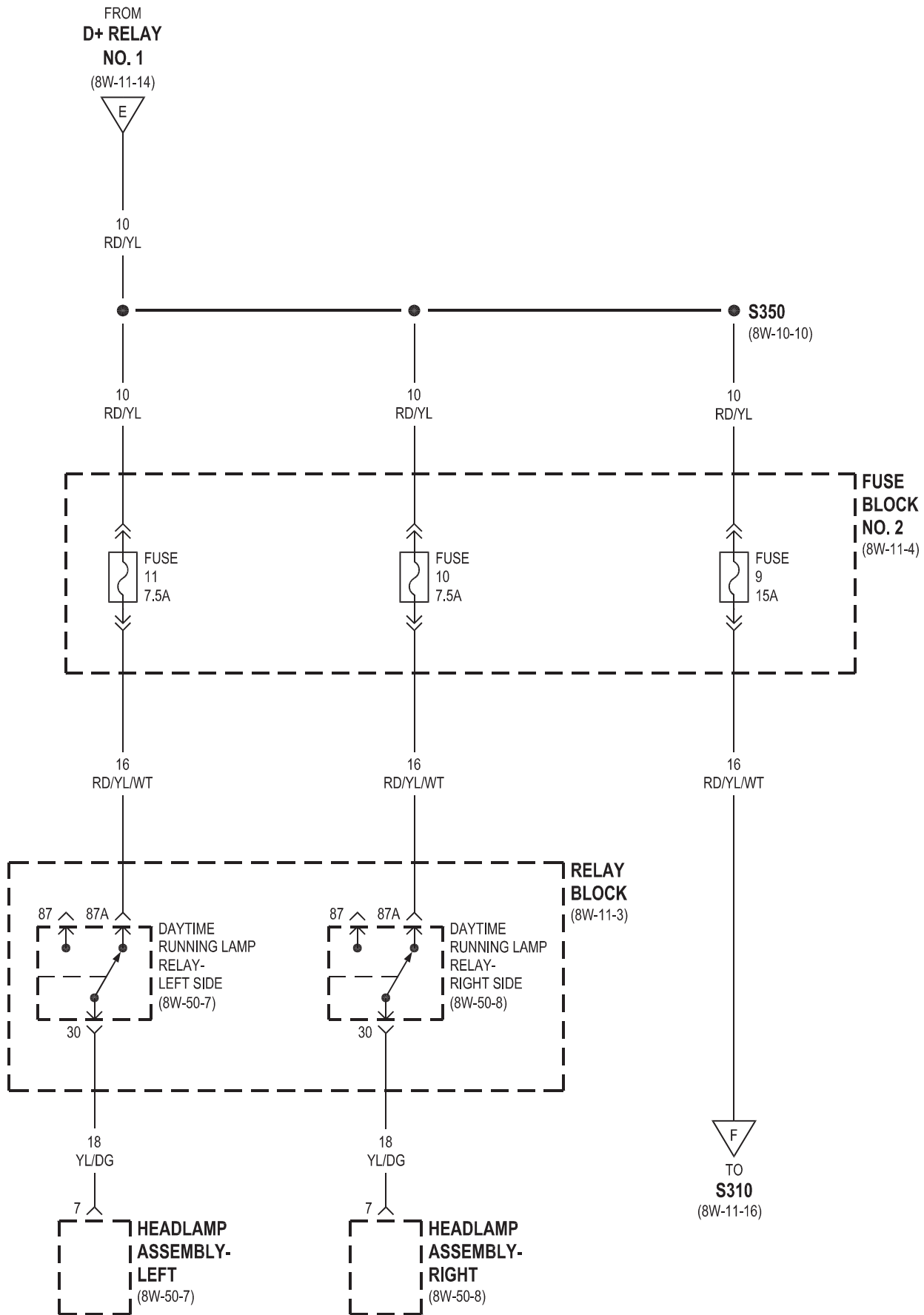
CAVITY	CIRCUIT	FUNCTION
30	16RD/YL	FUSED B(+)
85	18RD/YL	FUSED B(+)
86	18DG/YL	TURN SIGNAL/ANTI-THEFT ALARM RELAY- LEFT/RIGHT CONTROL
87	16BK/WT	LEFT TURN SIGNAL
87A	-	-

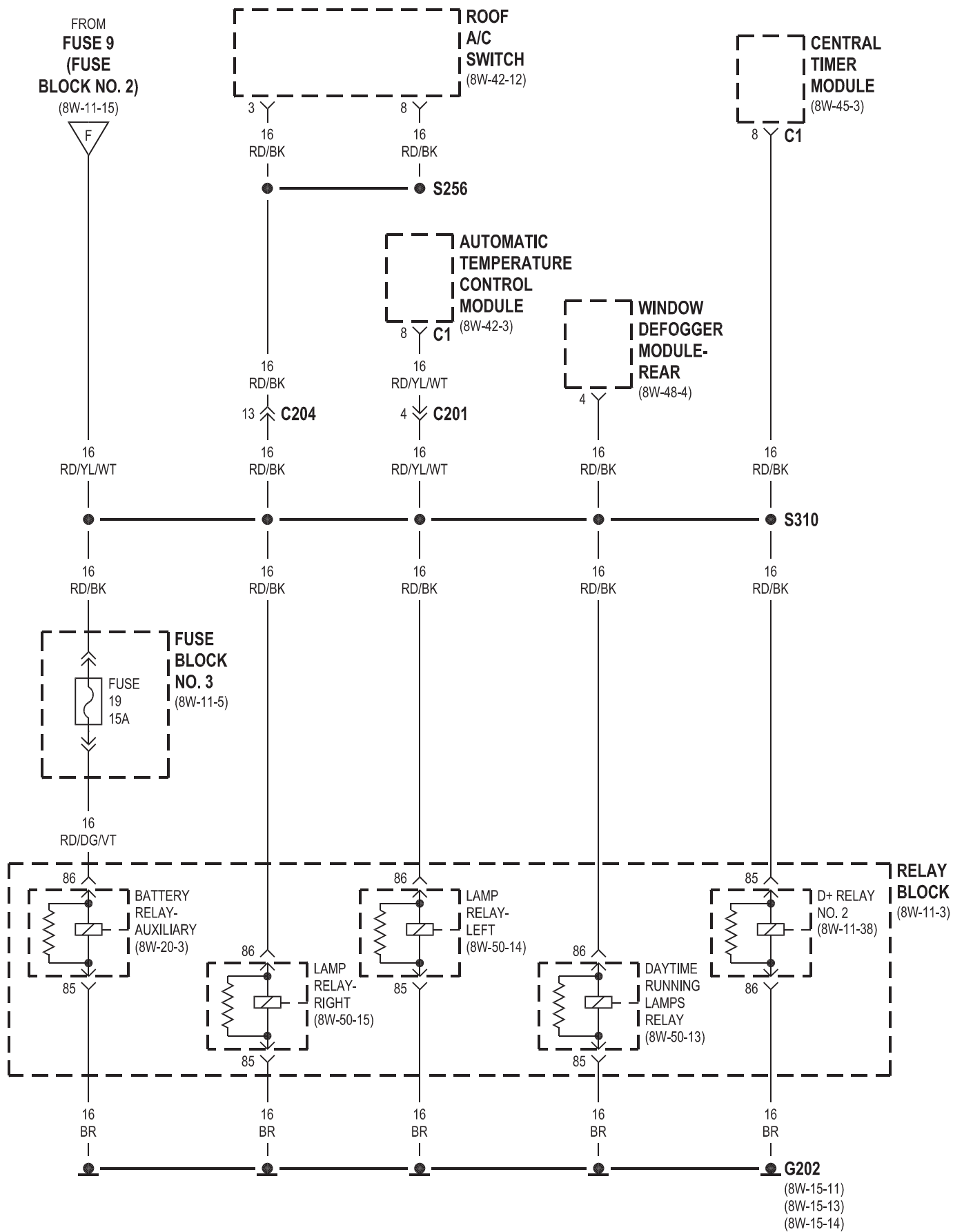
TURN SIGNAL/
ANTI-THEFT
ALARM RELAY-
RIGHT

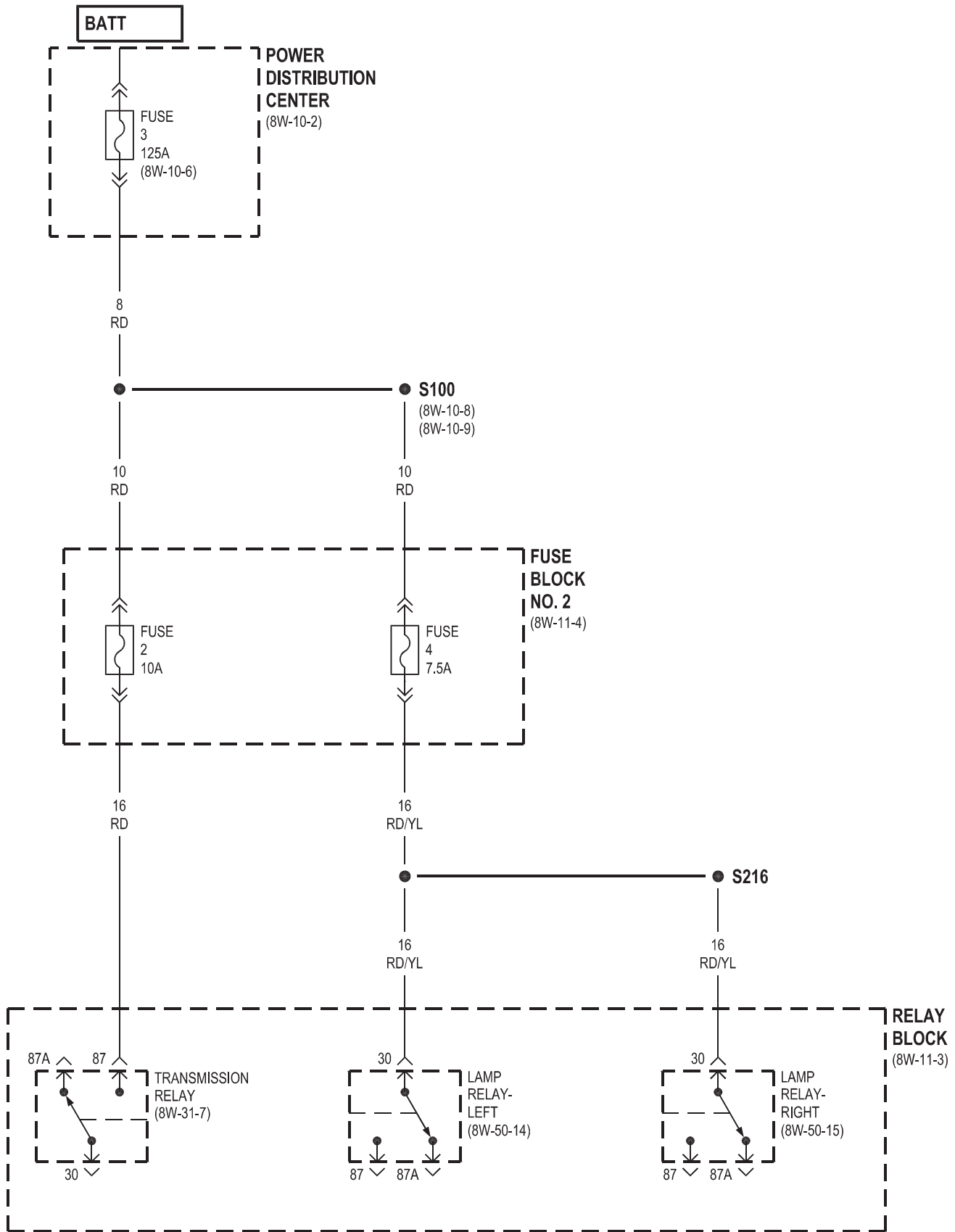
CAVITY	CIRCUIT	FUNCTION
30	16RD/YL	FUSED B(+)
85	16RD/YL	FUSED B(+)
86	18DG/YL	TURN SIGNAL/ANTI-THEFT ALARM RELAY-LEFT/RIGHT CONTROL
87	16BK/DG	RIGHT TURN SIGNAL
87A	-	-

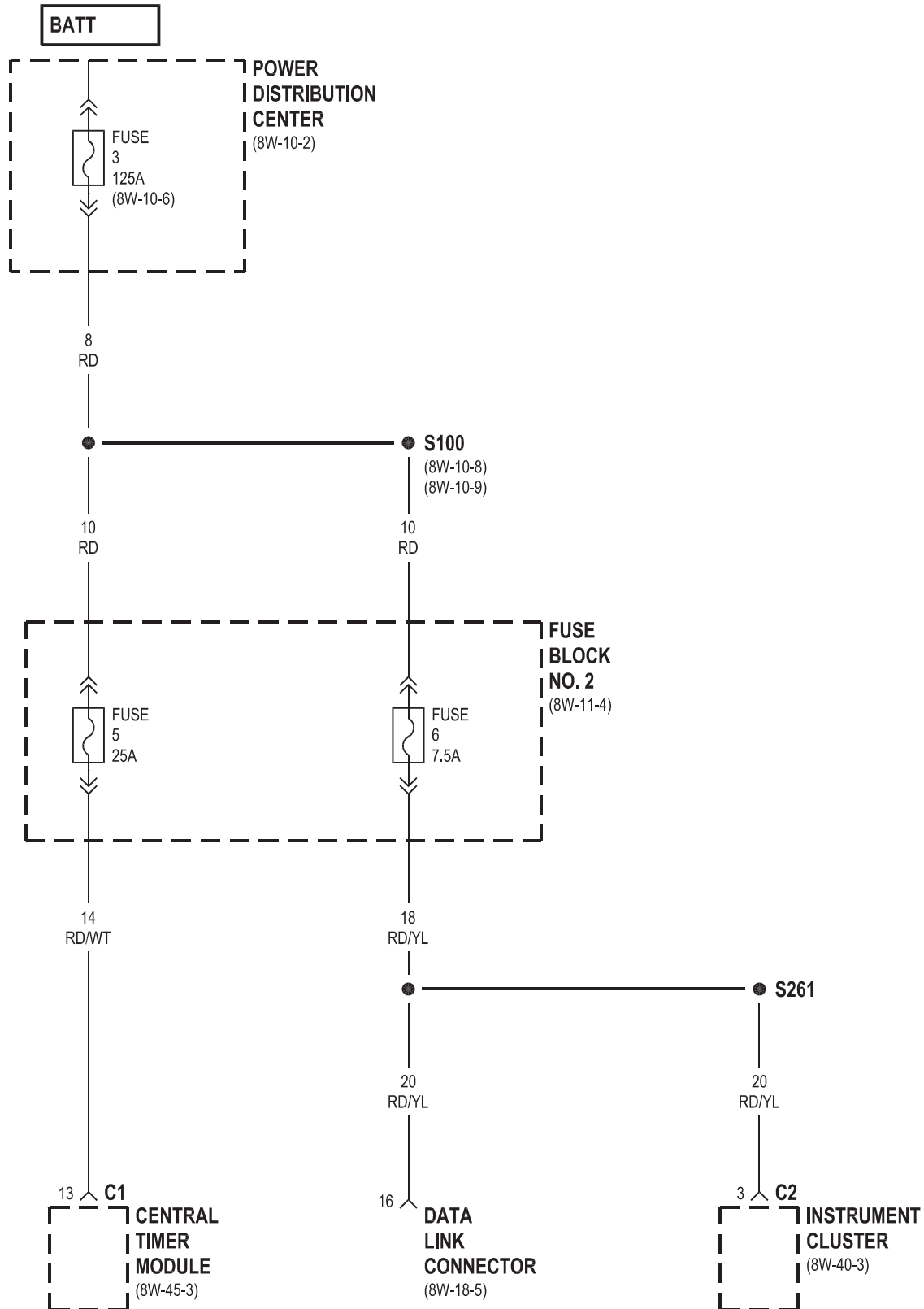


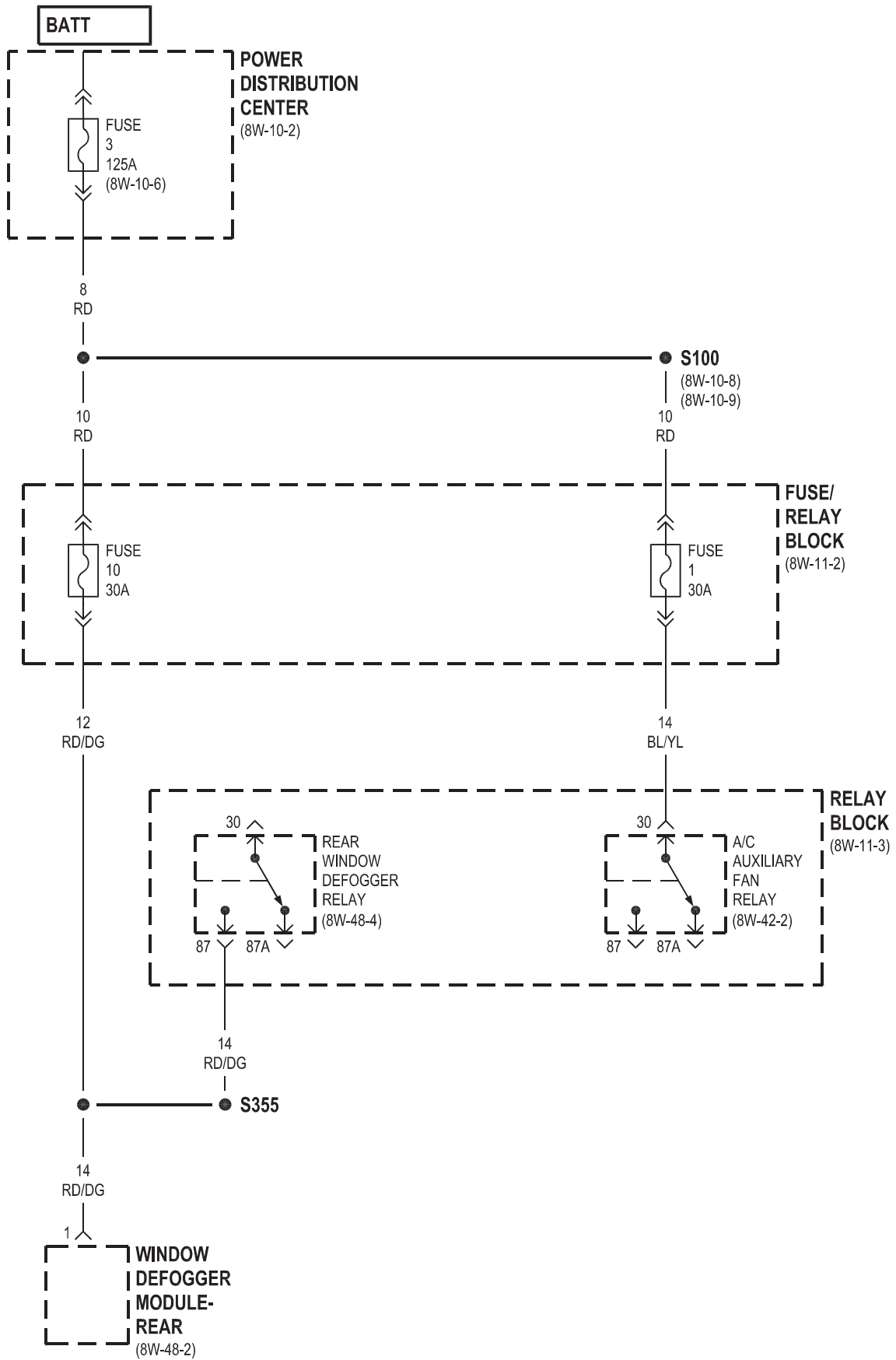


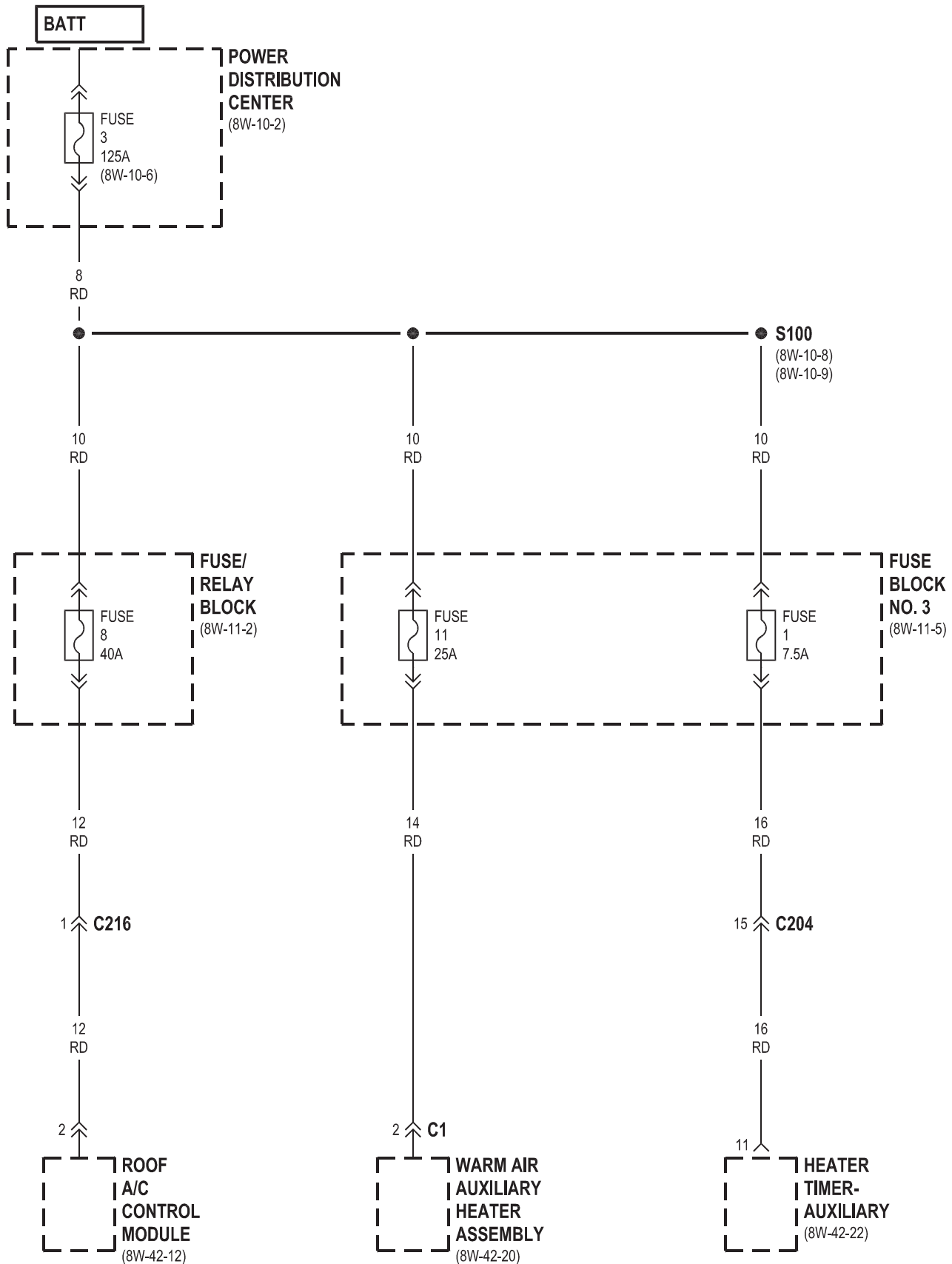


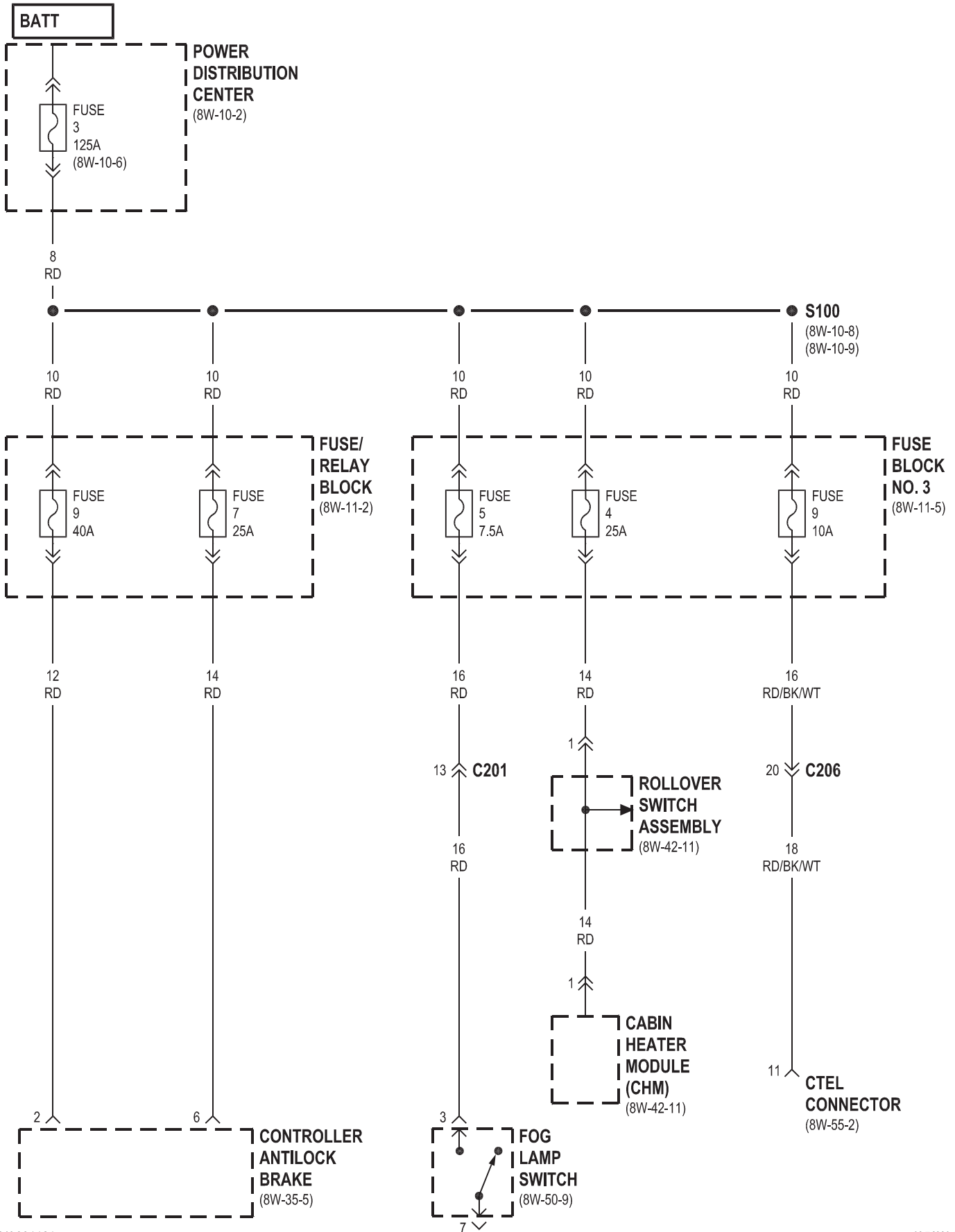


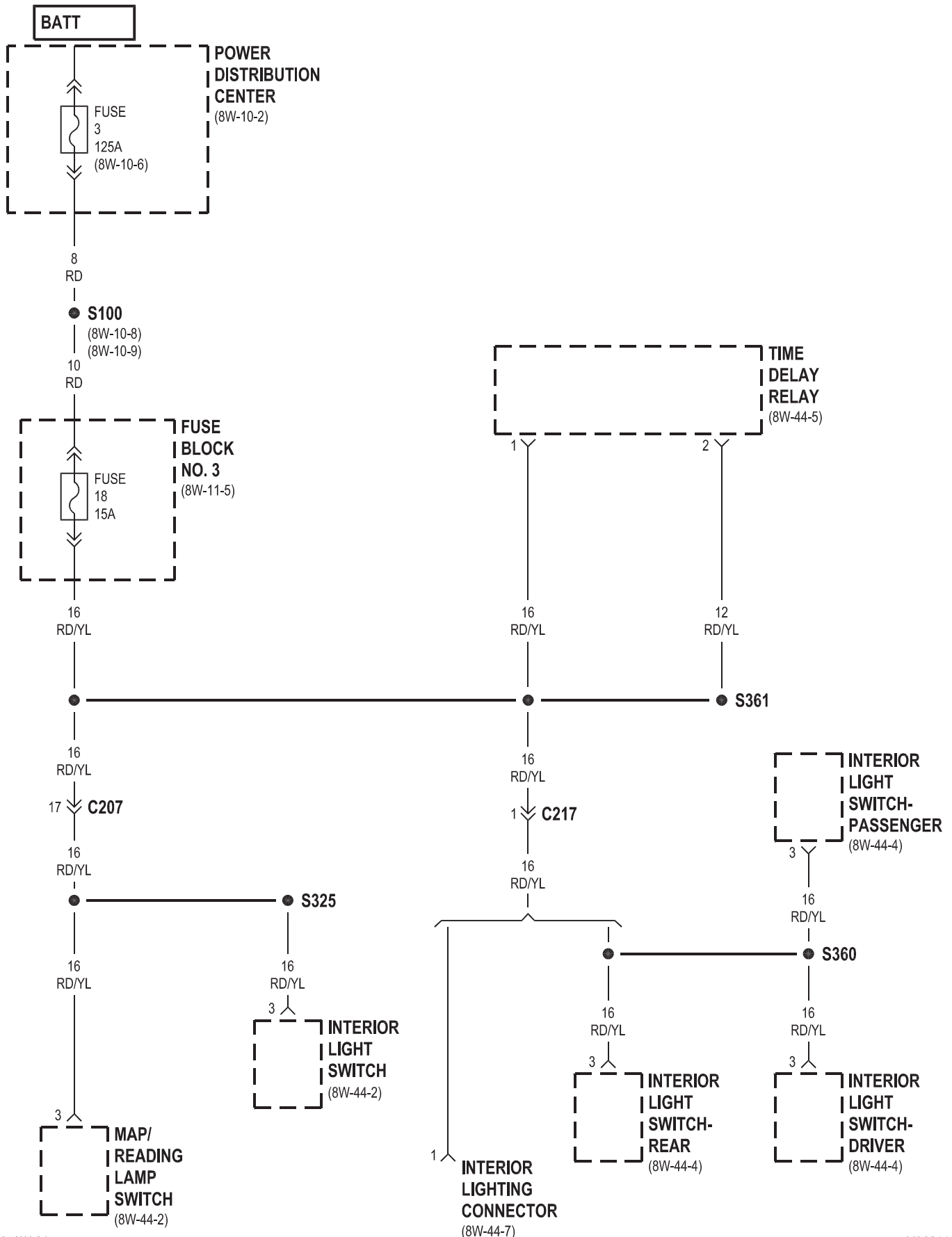


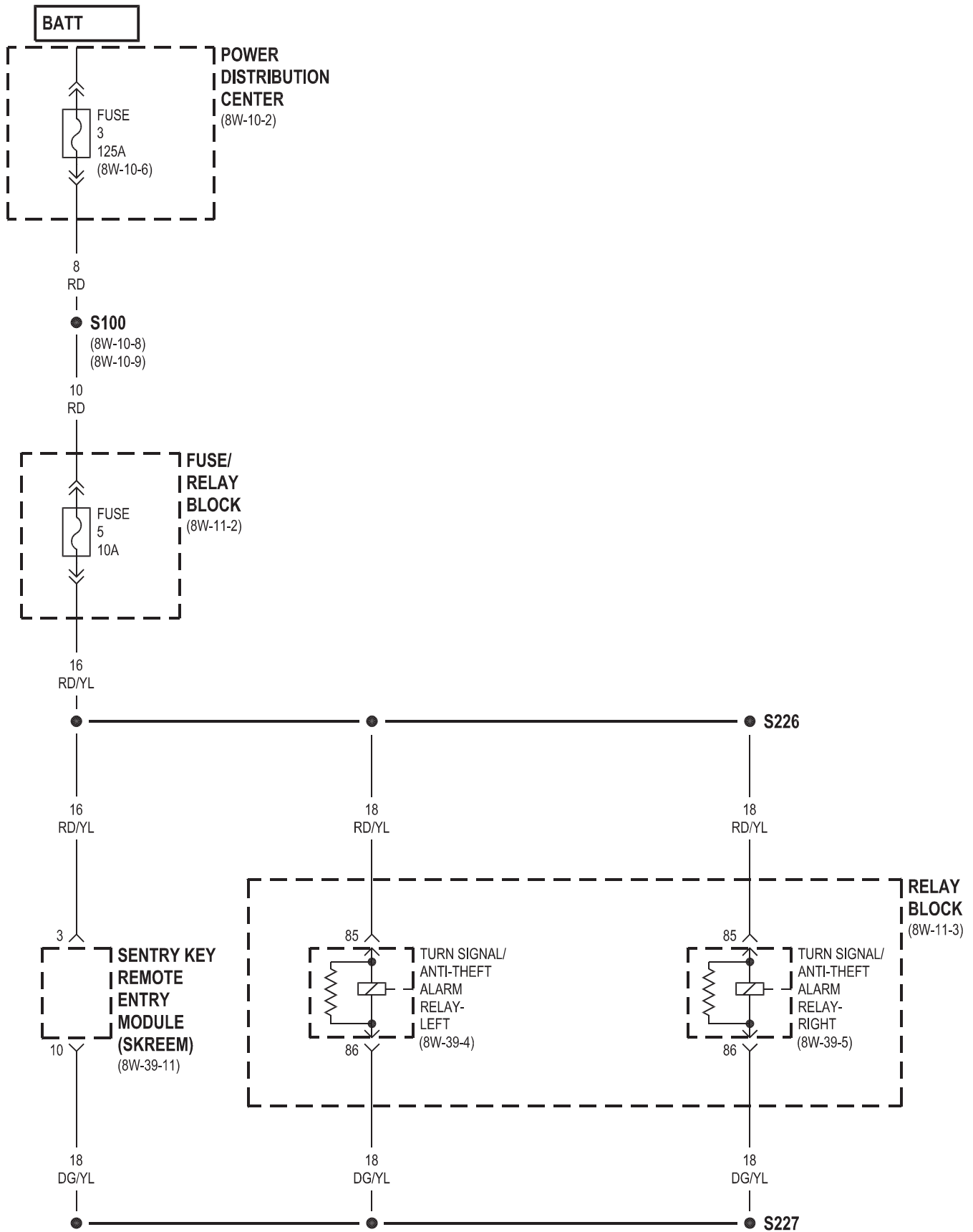


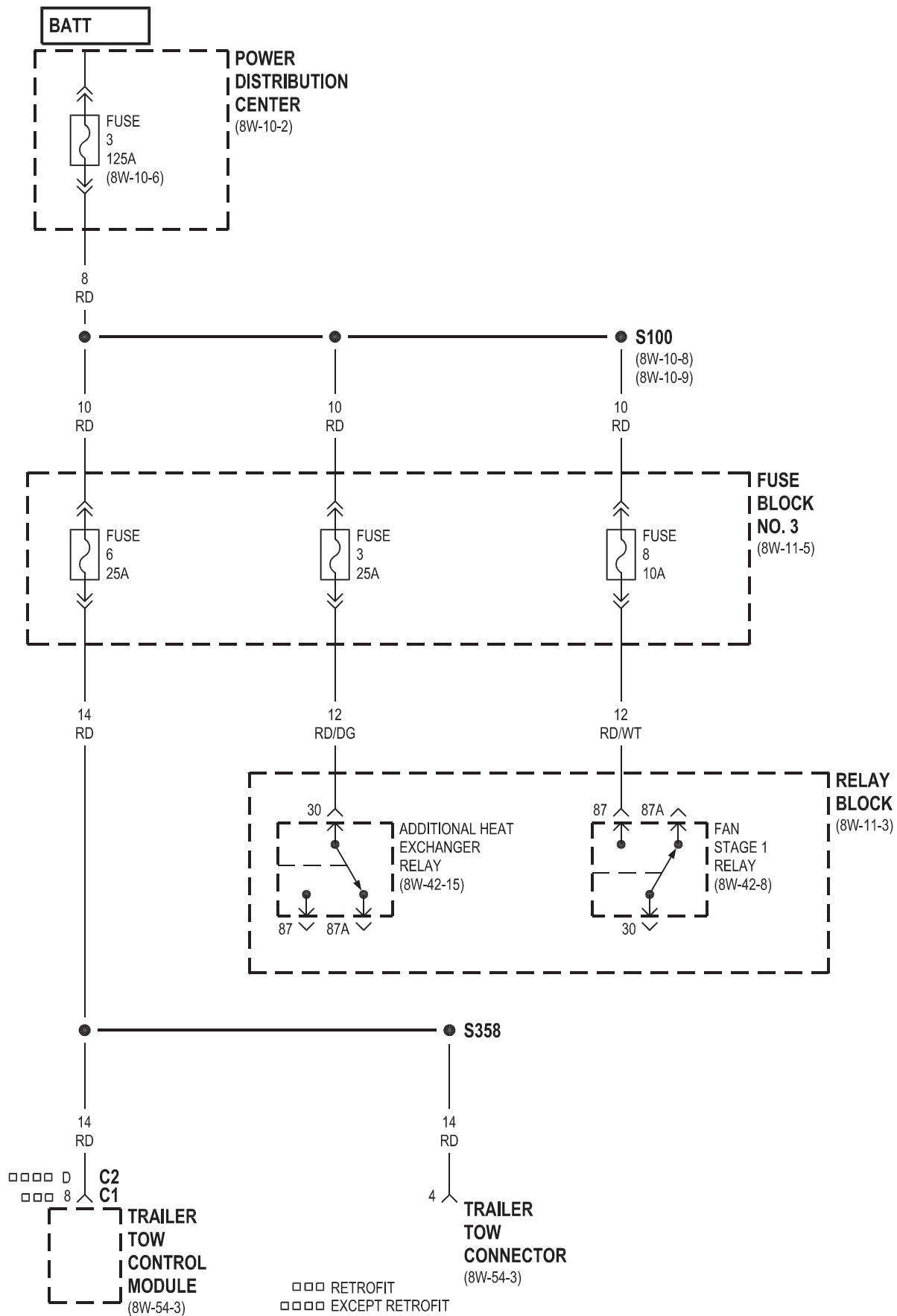


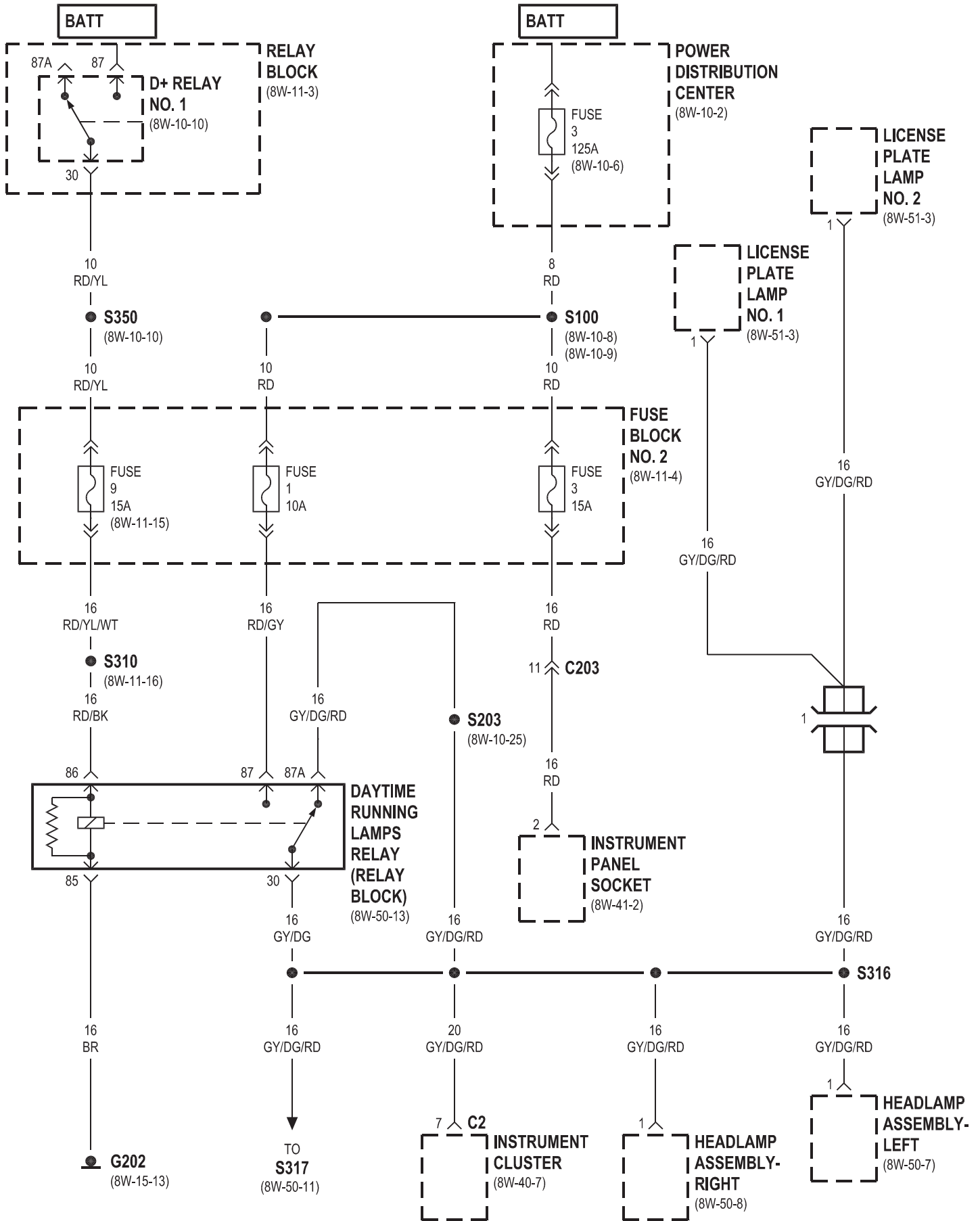


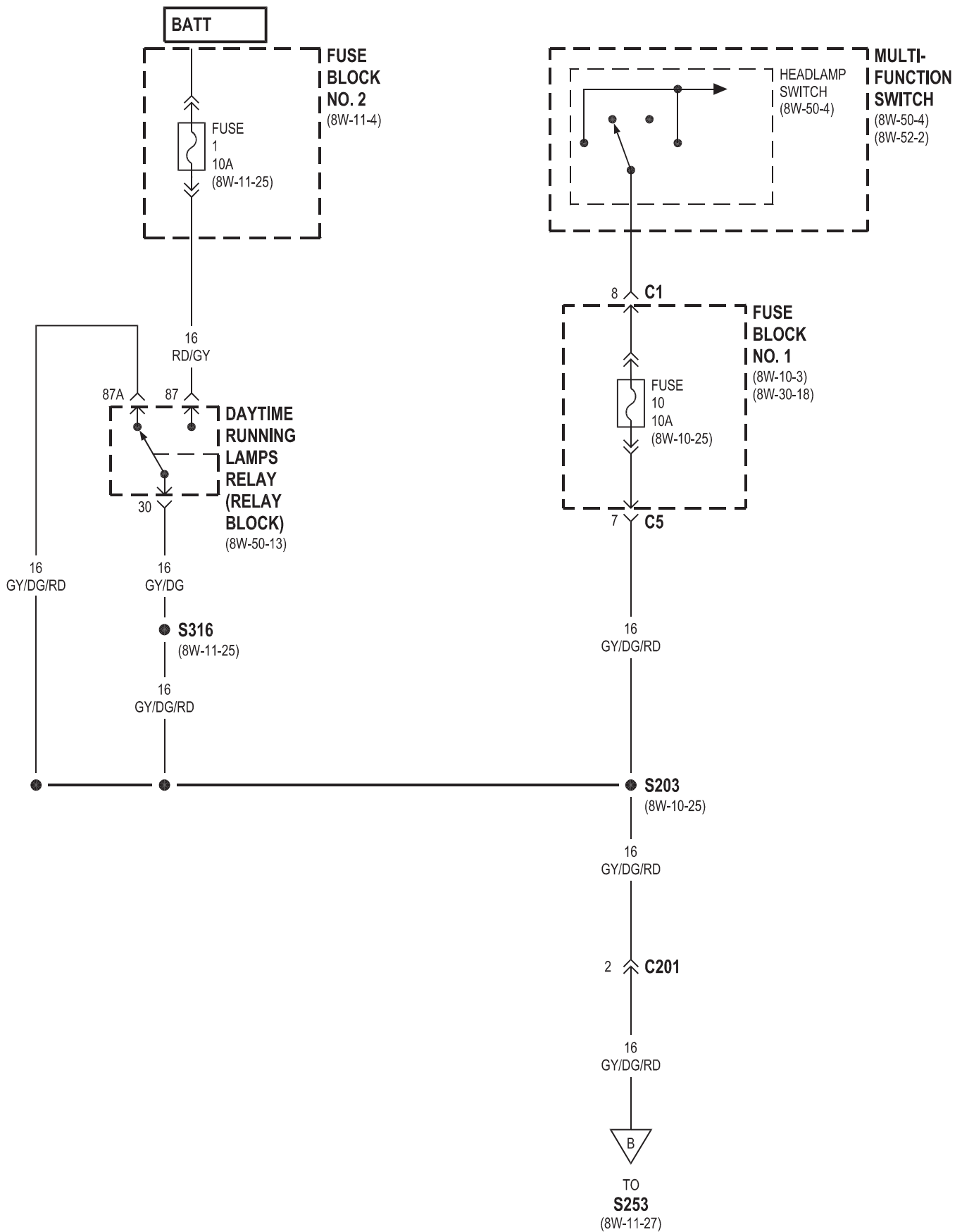


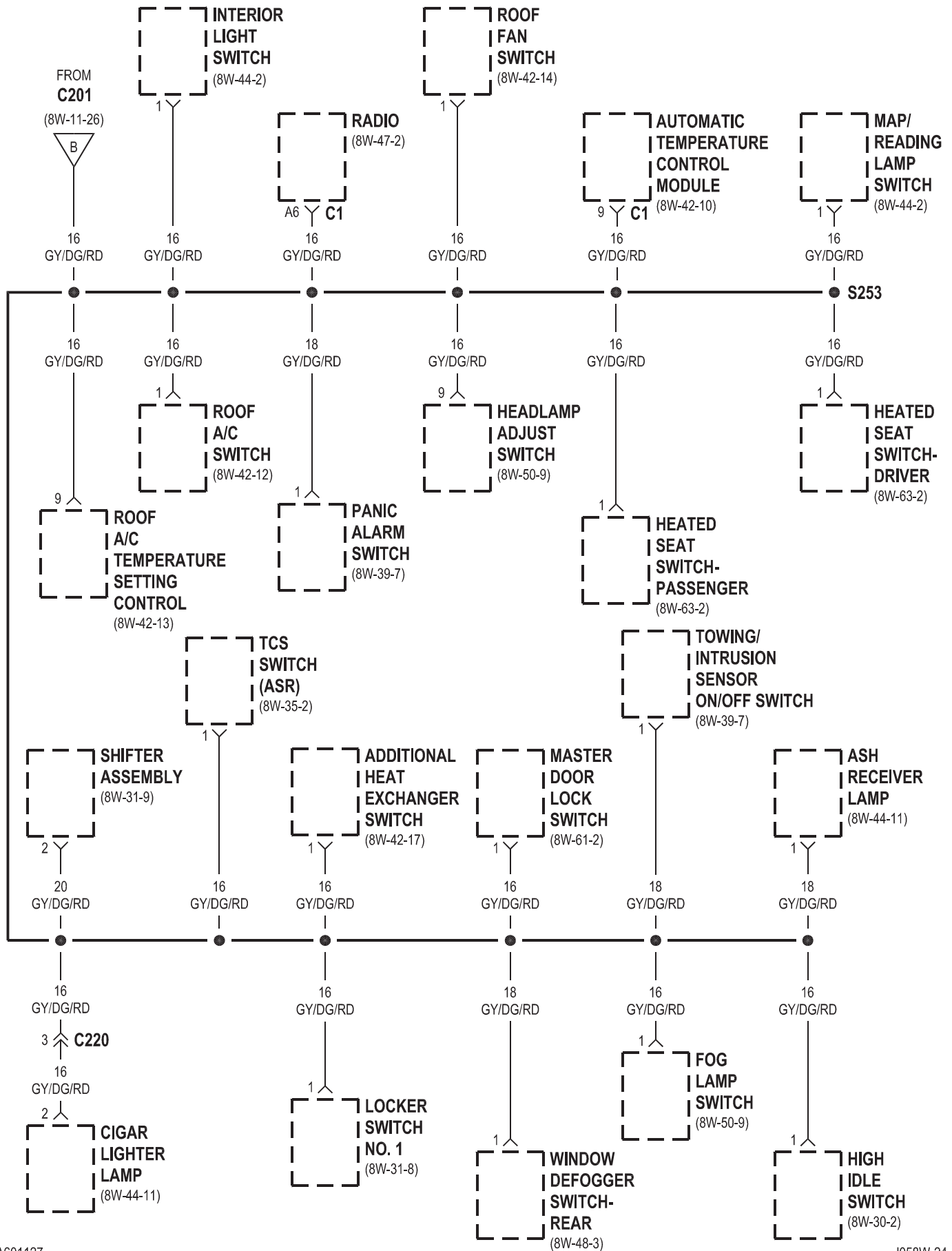


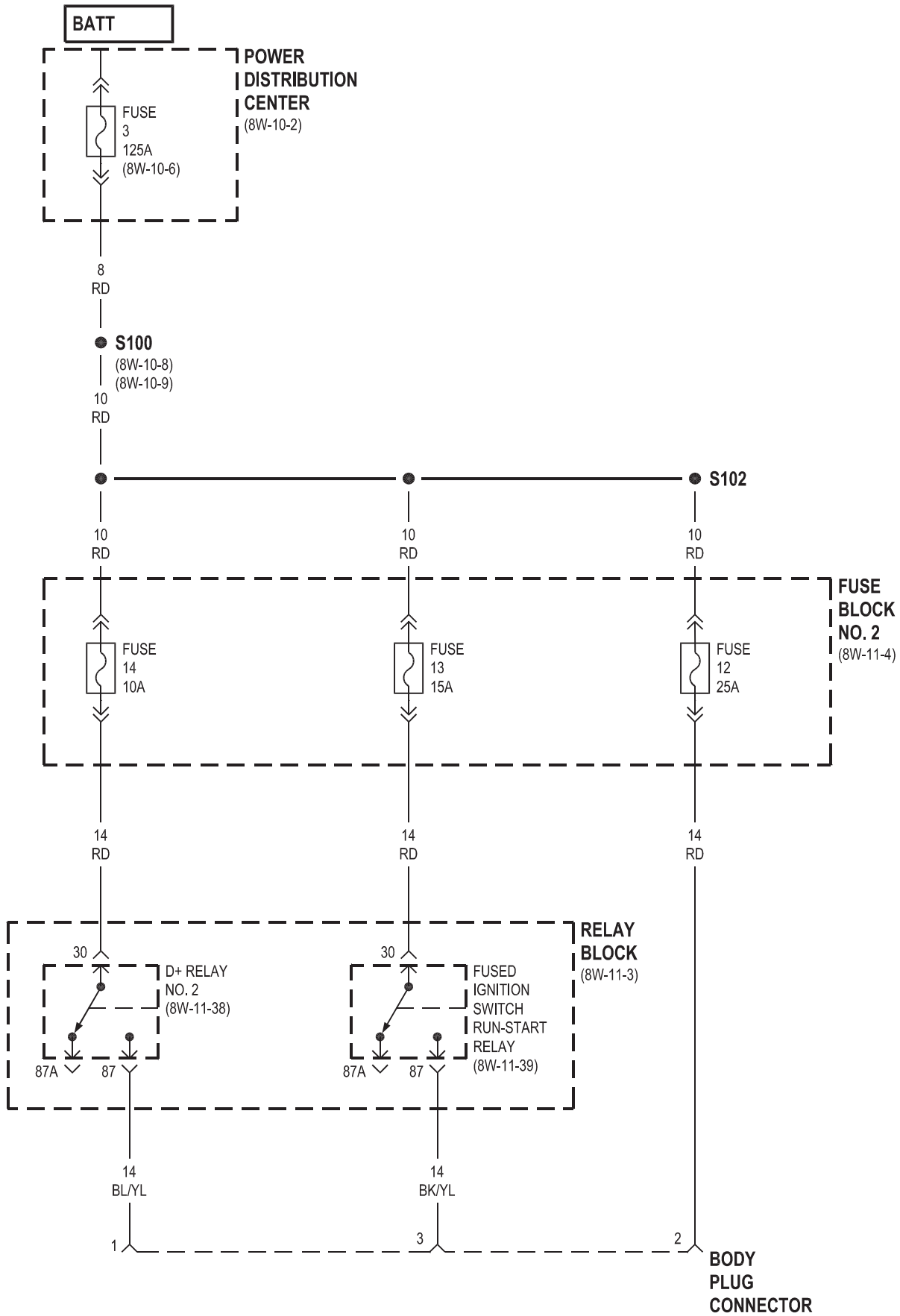


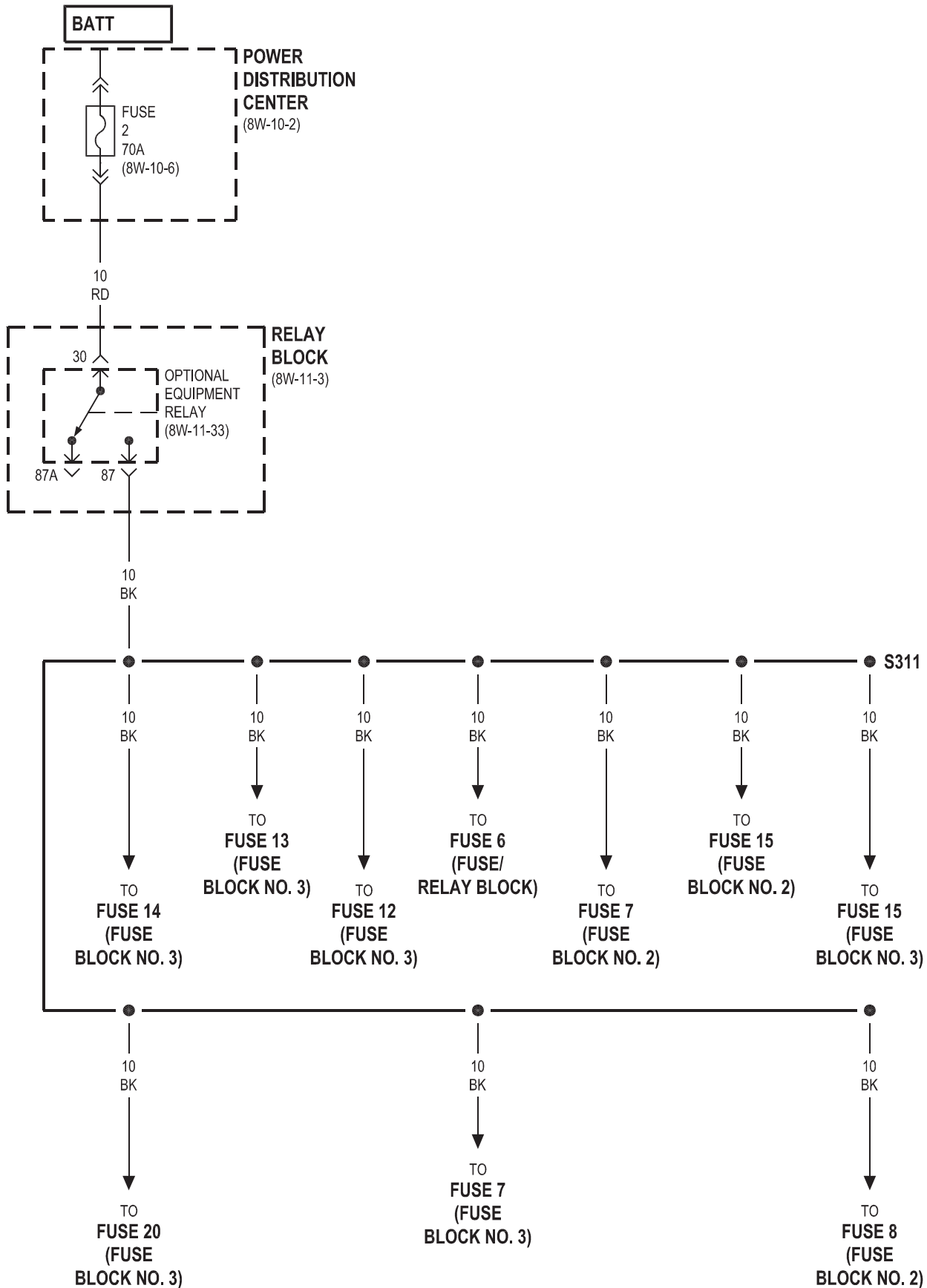


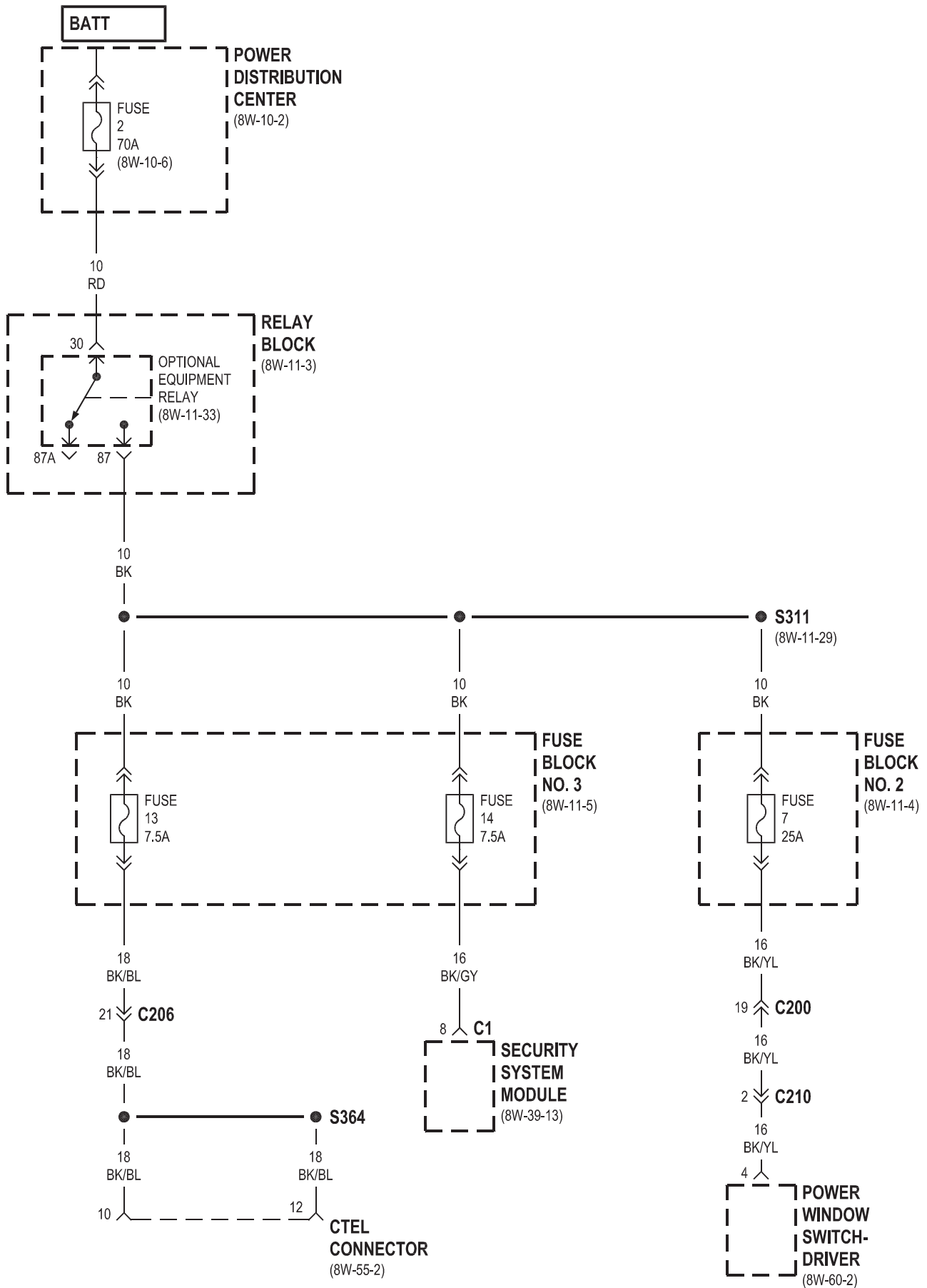


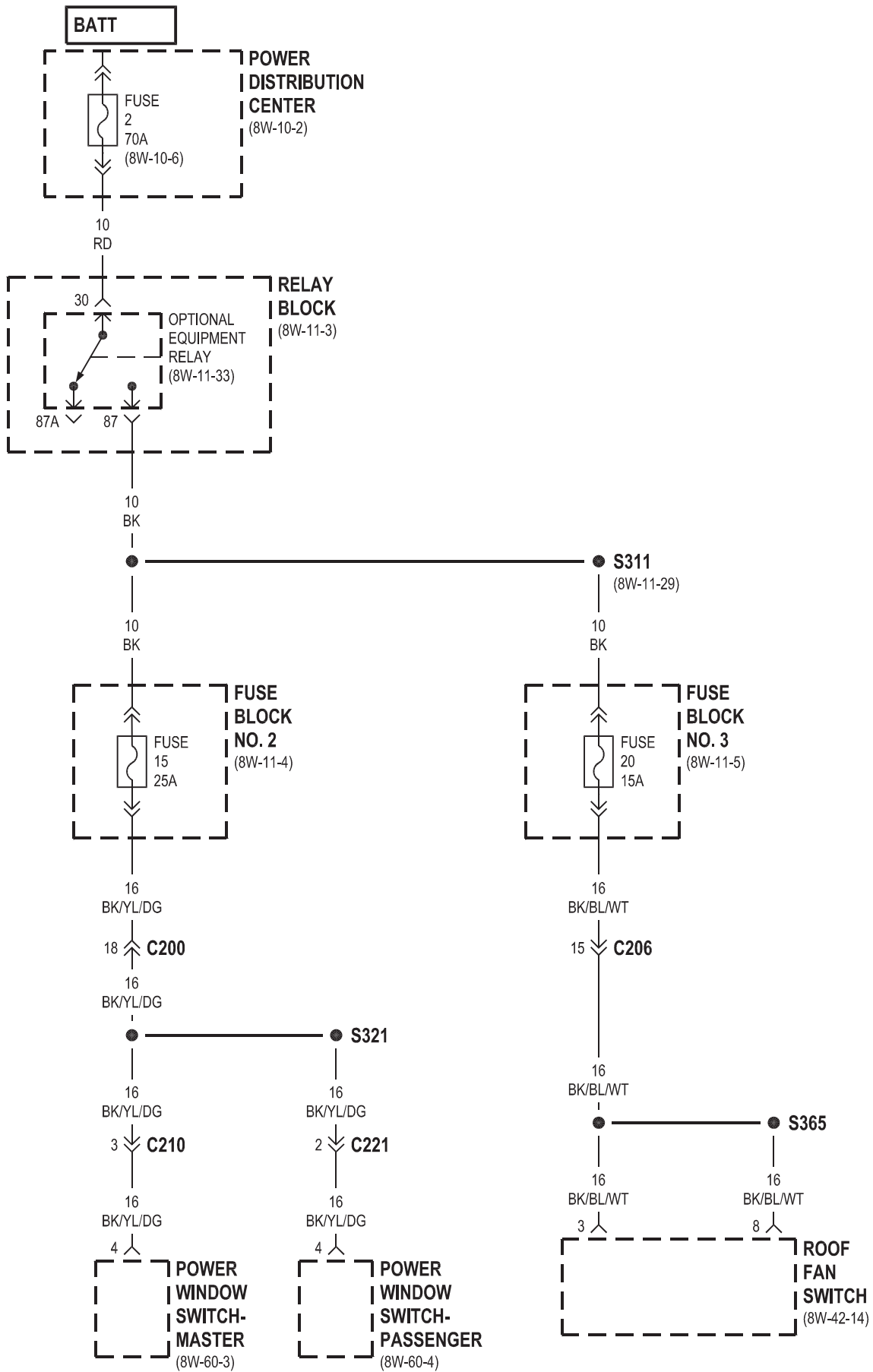


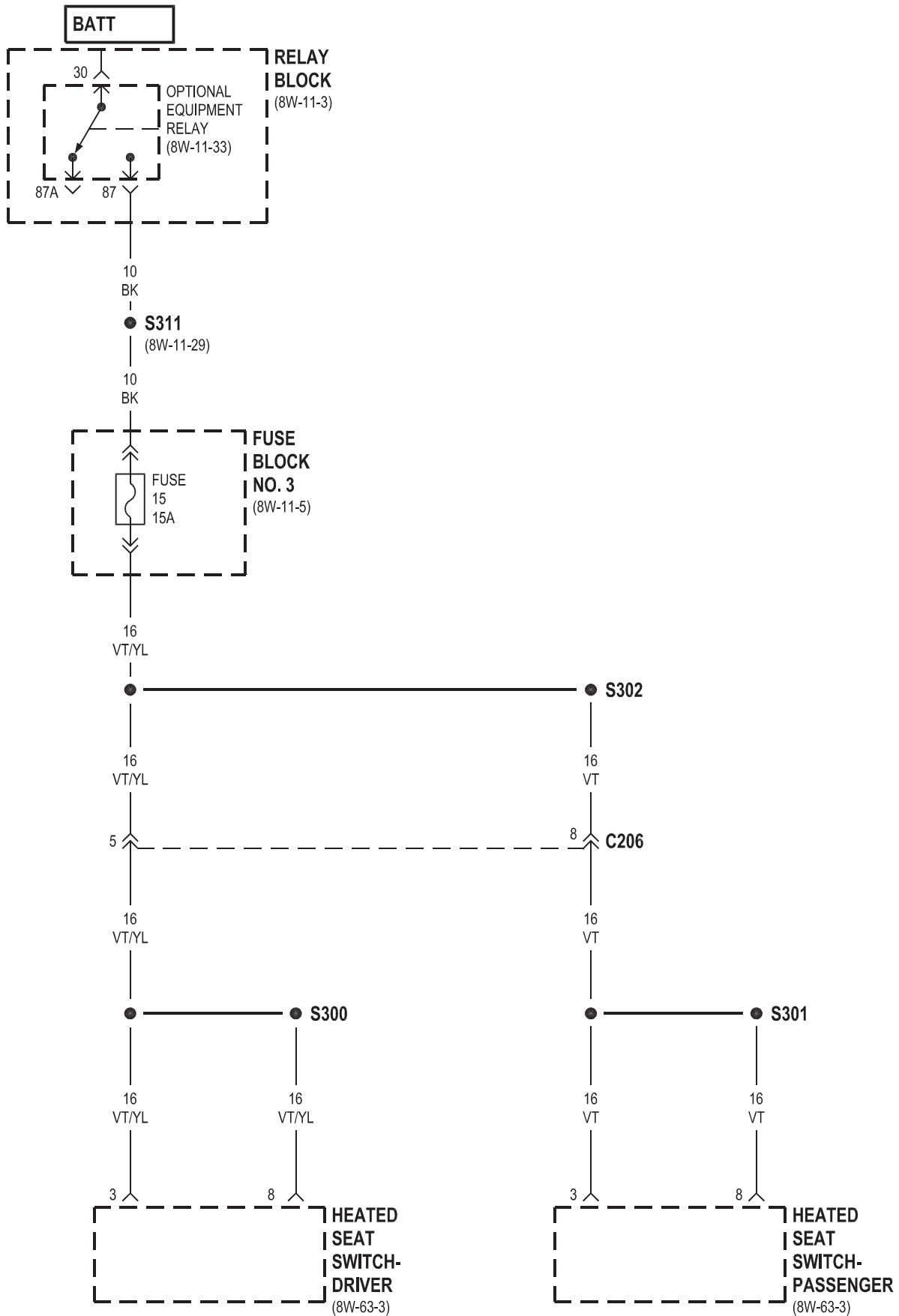


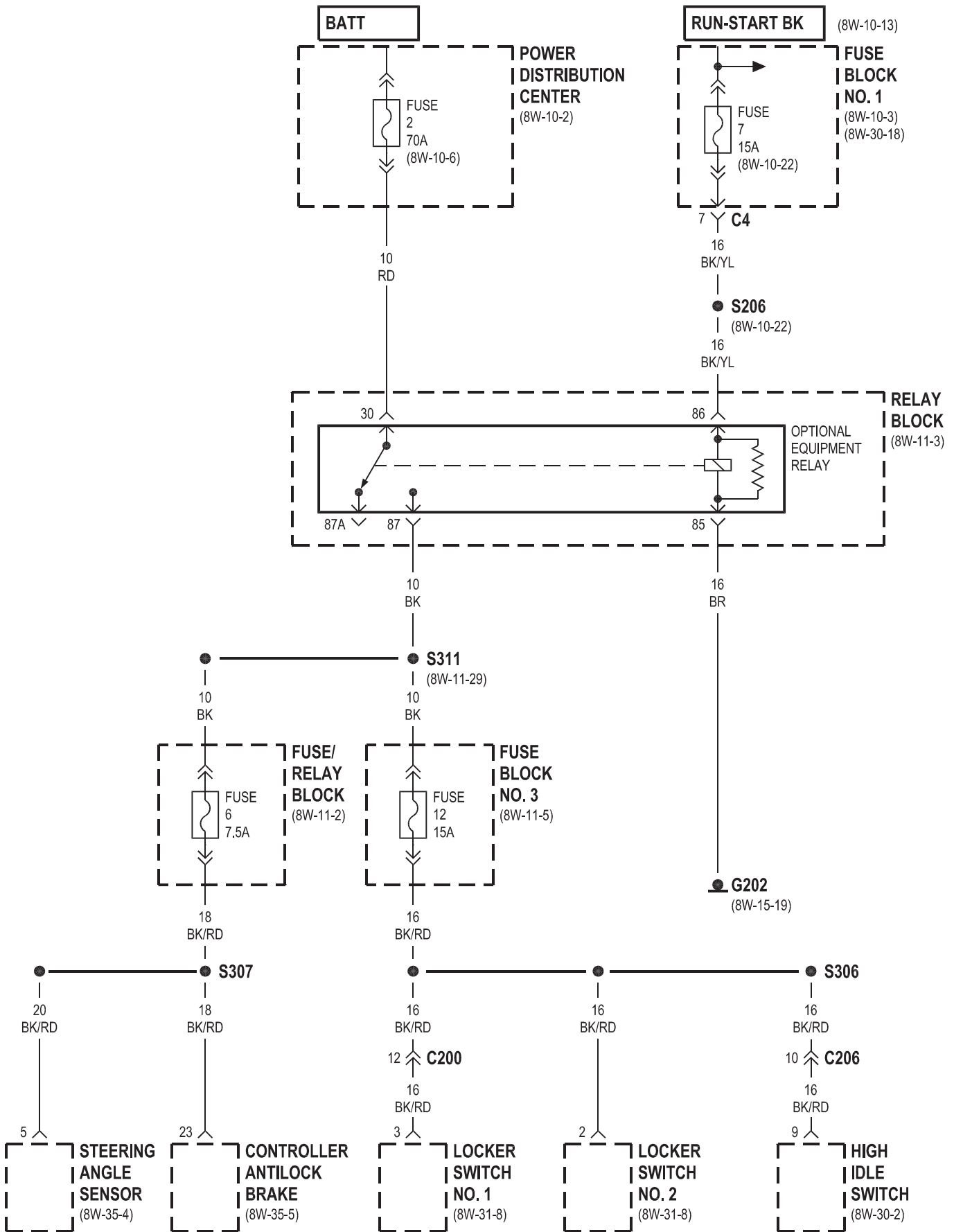


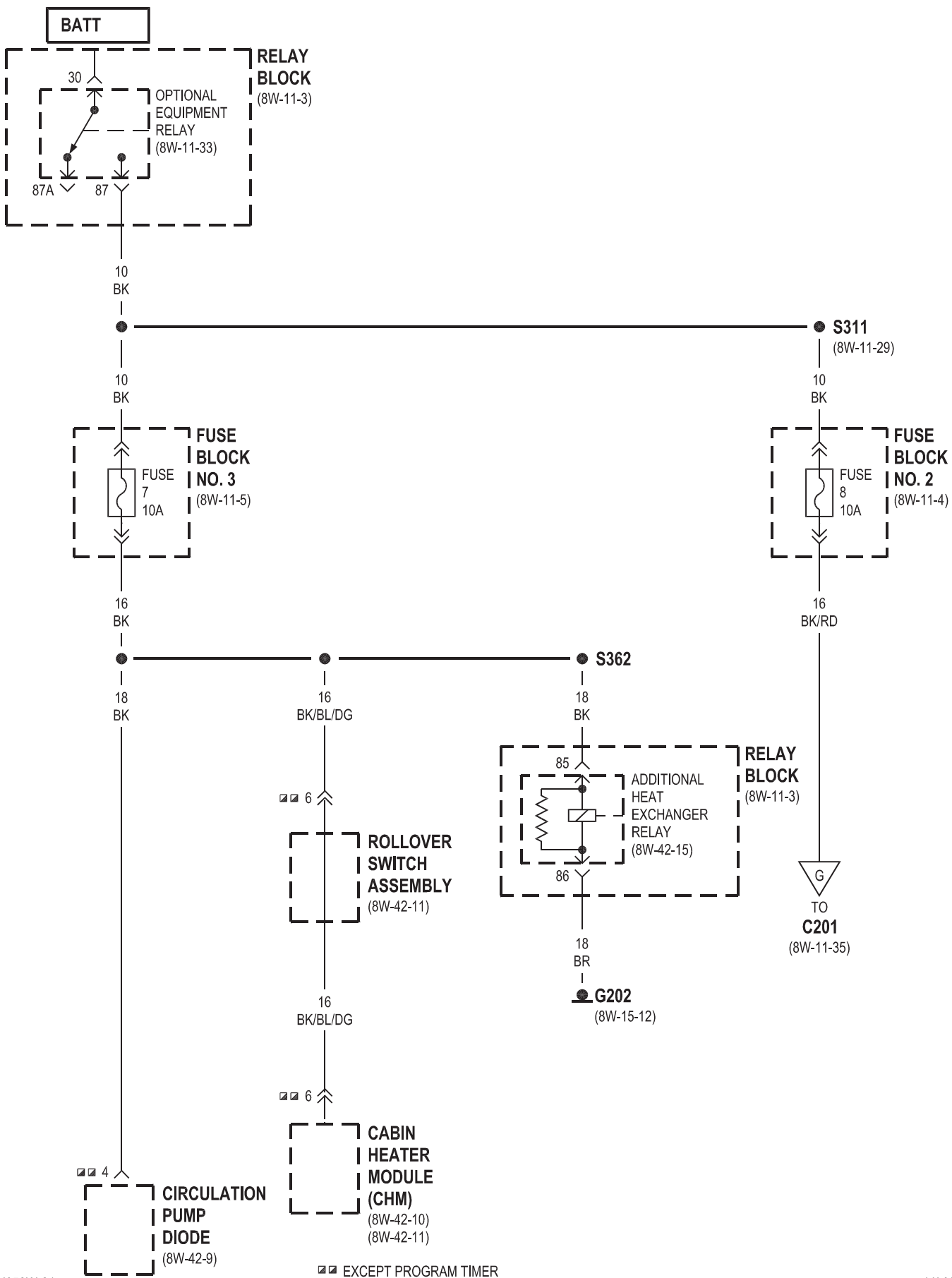












FROM
FUSE 8
(FUSE
BLOCK NO. 2)
 (8W-11-34)



16
 BK/RD



18
 BK/RD

● **S202**

18
 BK/RD



18
 BK/RD

1
 [] **POWER**
 [] **MIRROR**
 [] **MOTOR-**
 [] **PASSENGER**
 (8W-62-2)

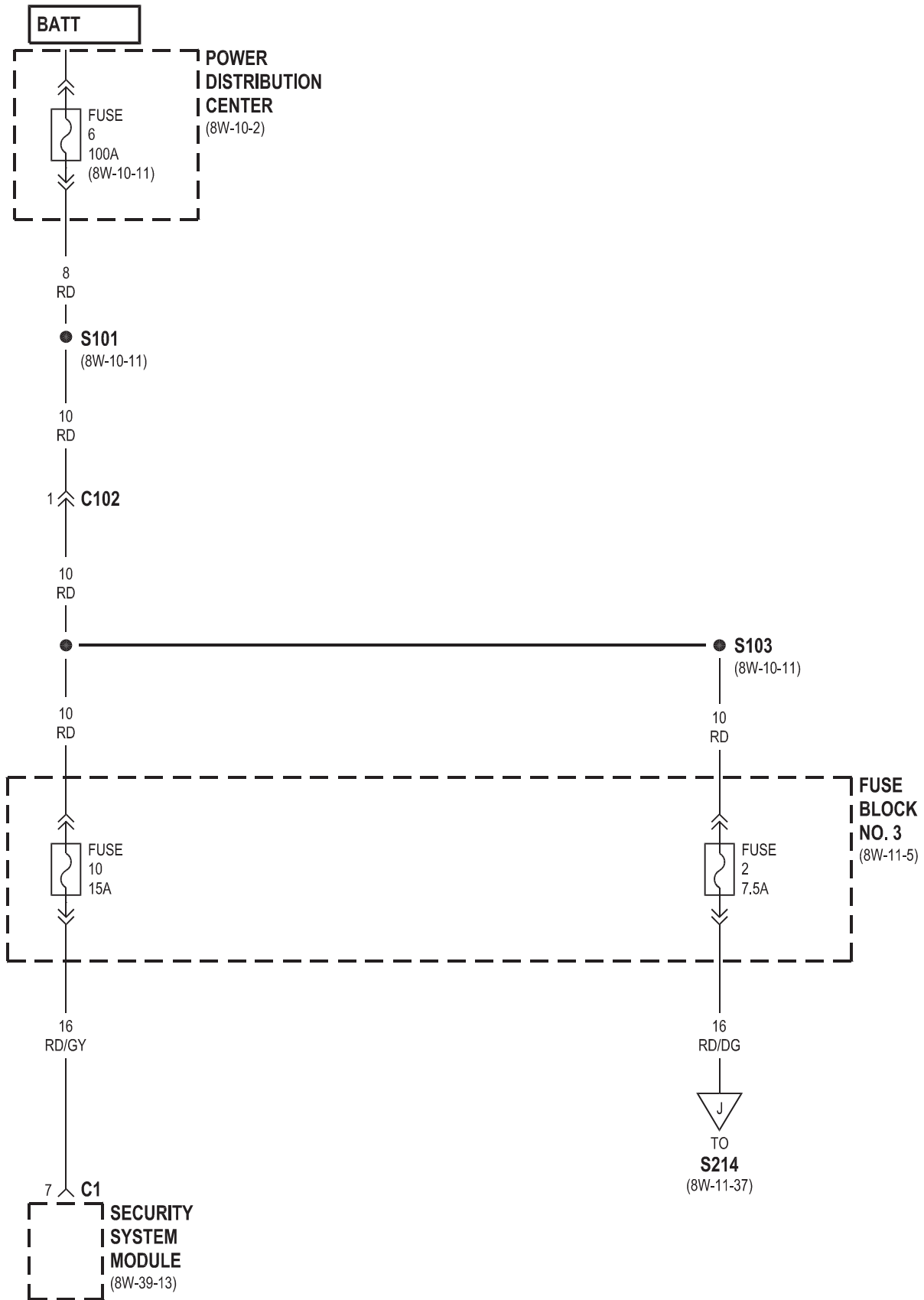
● **S305**

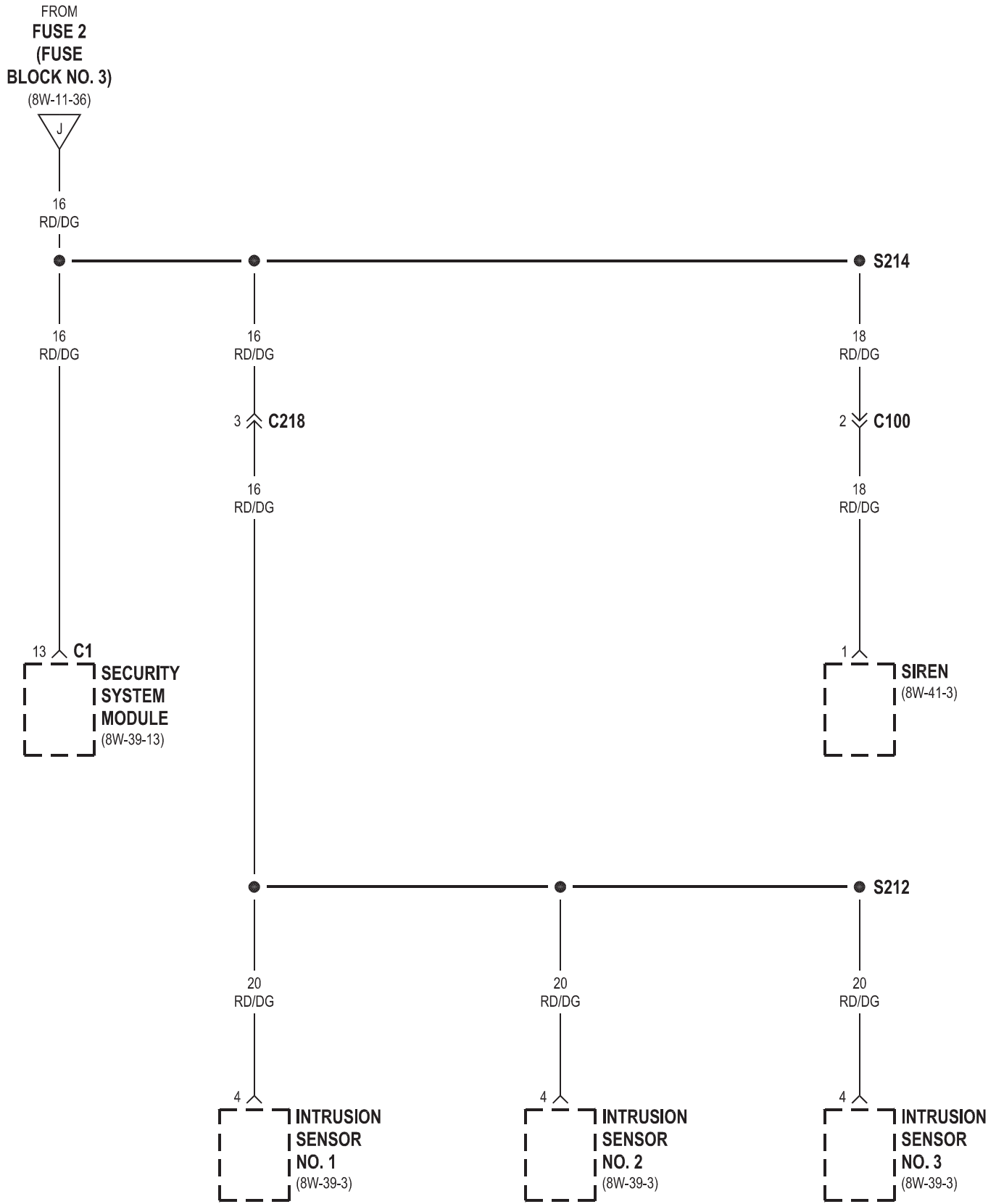
18
 BK/RD

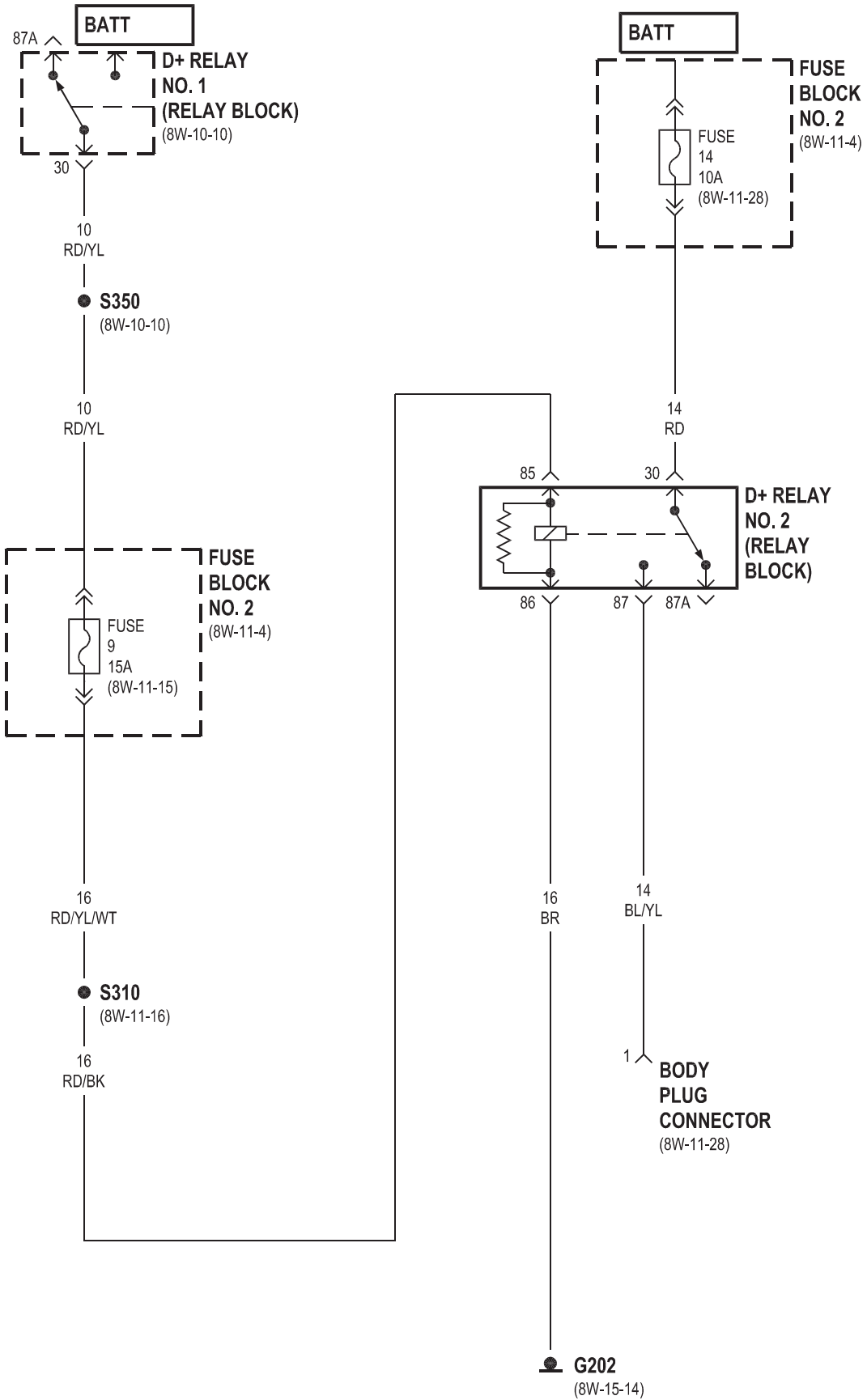
18
 BK/RD

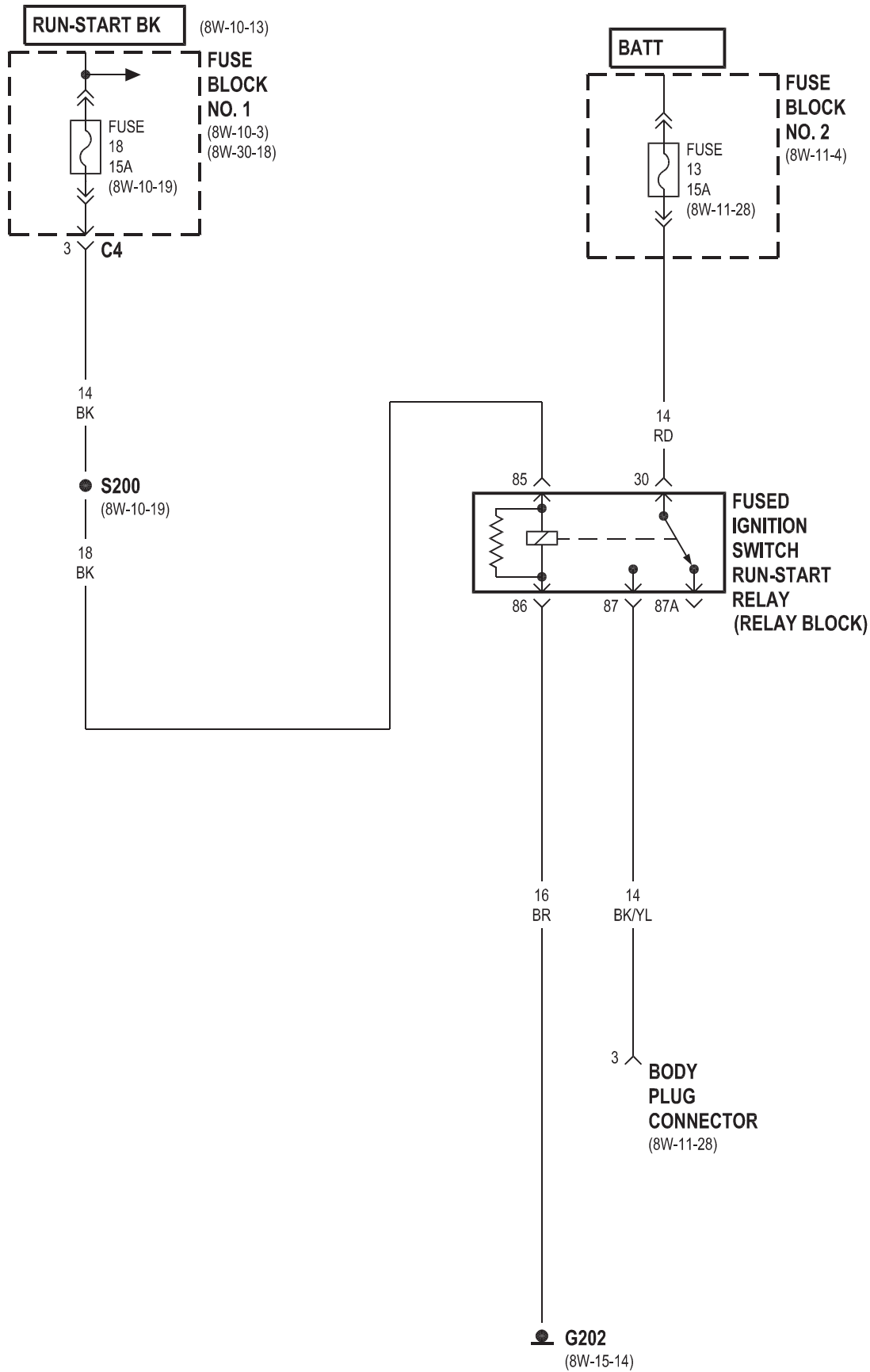
7
 [] **POWER**
 [] **MIRROR**
 [] **SWITCH**
 (8W-62-3)

1
 [] **POWER**
 [] **MIRROR**
 [] **MOTOR-**
 [] **DRIVER**
 (8W-62-2)



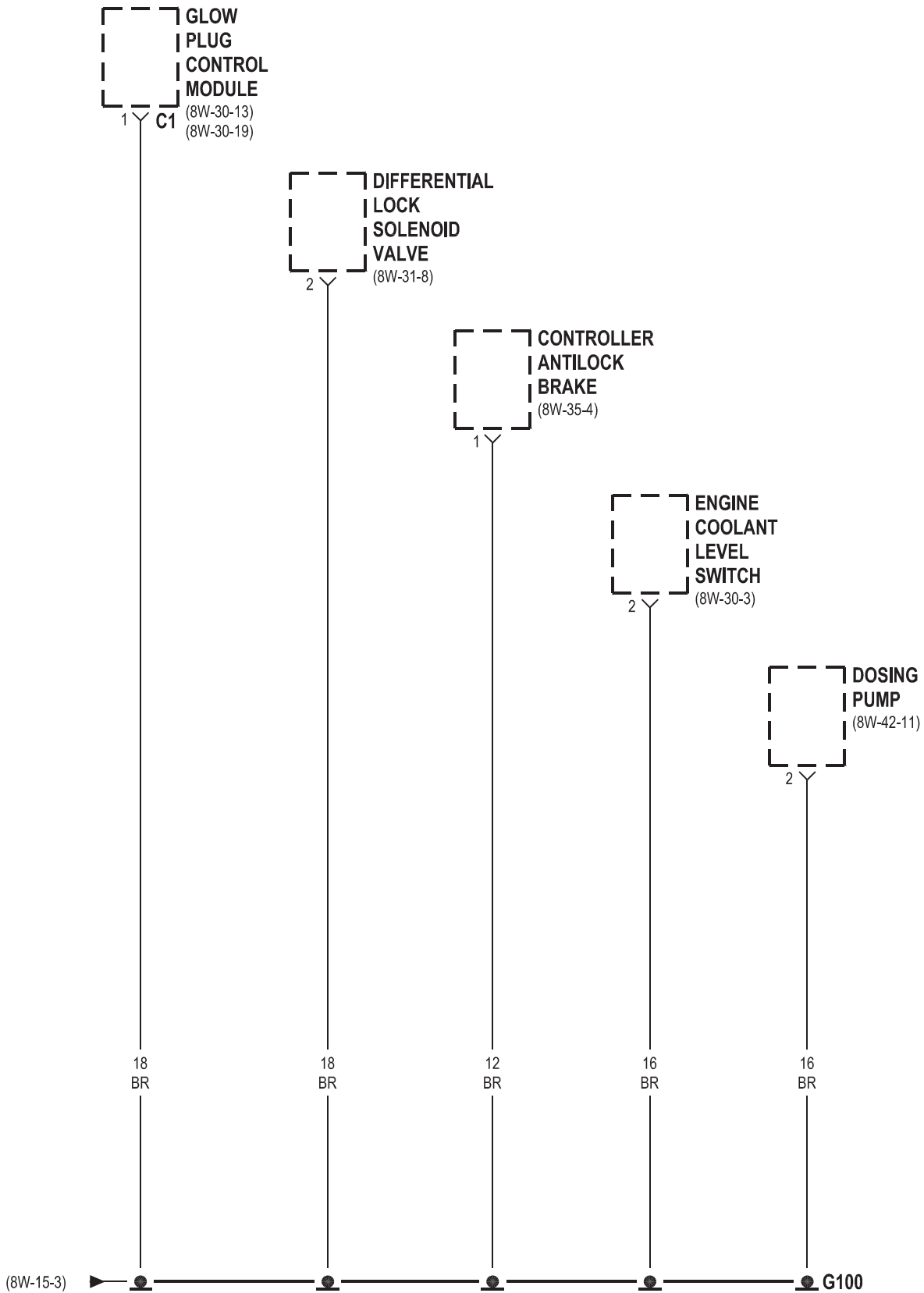


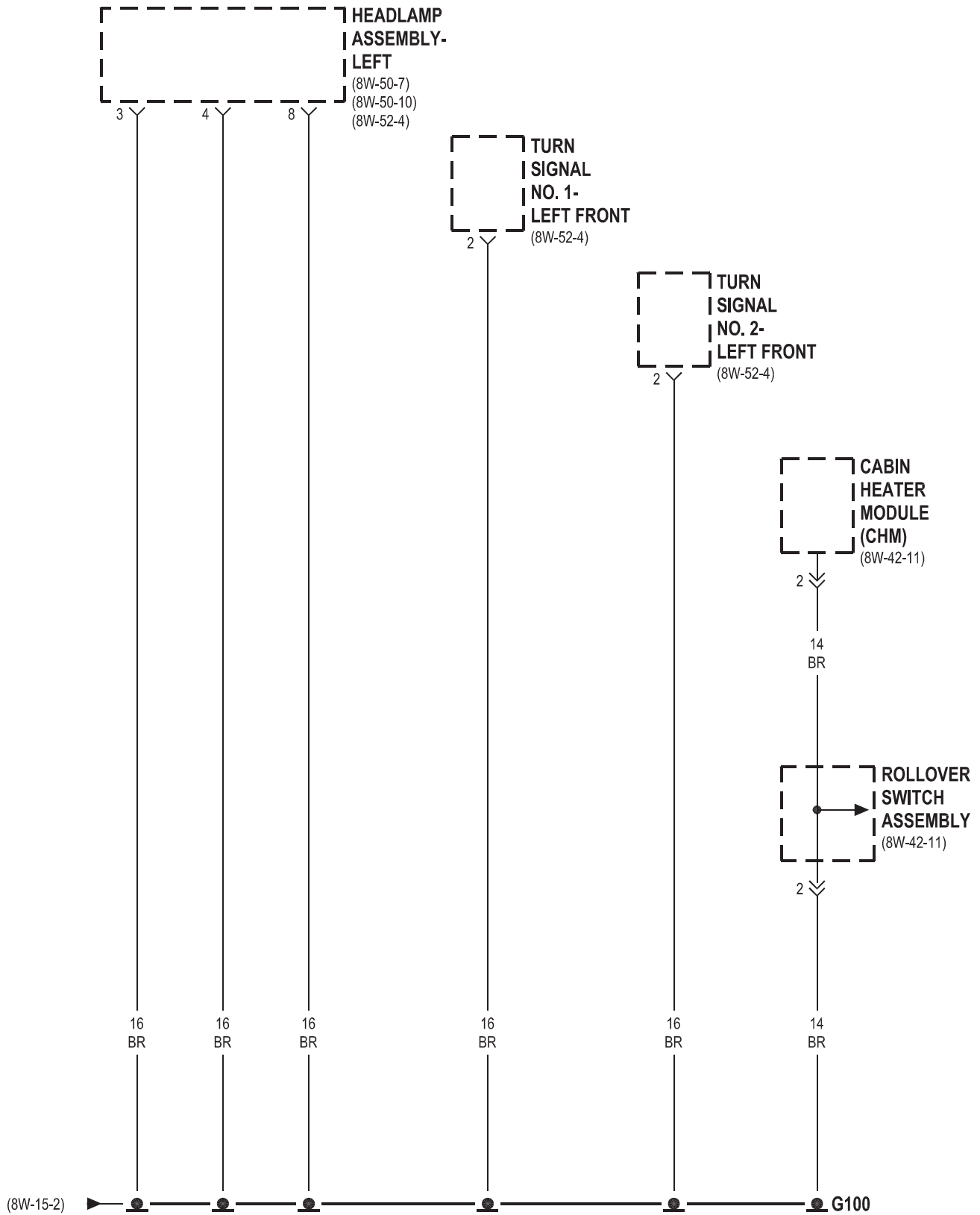


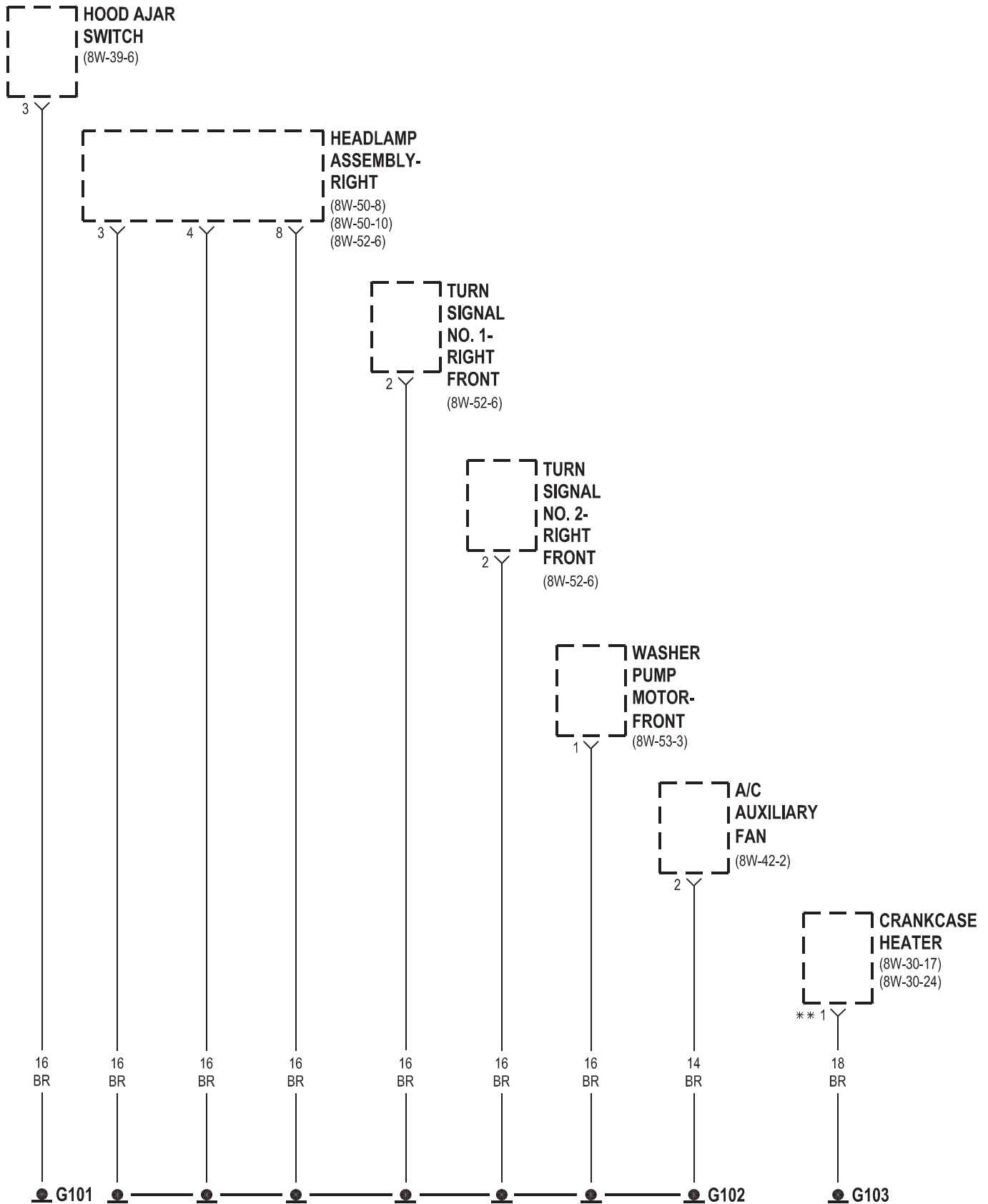


8W-15 GROUND DISTRIBUTION

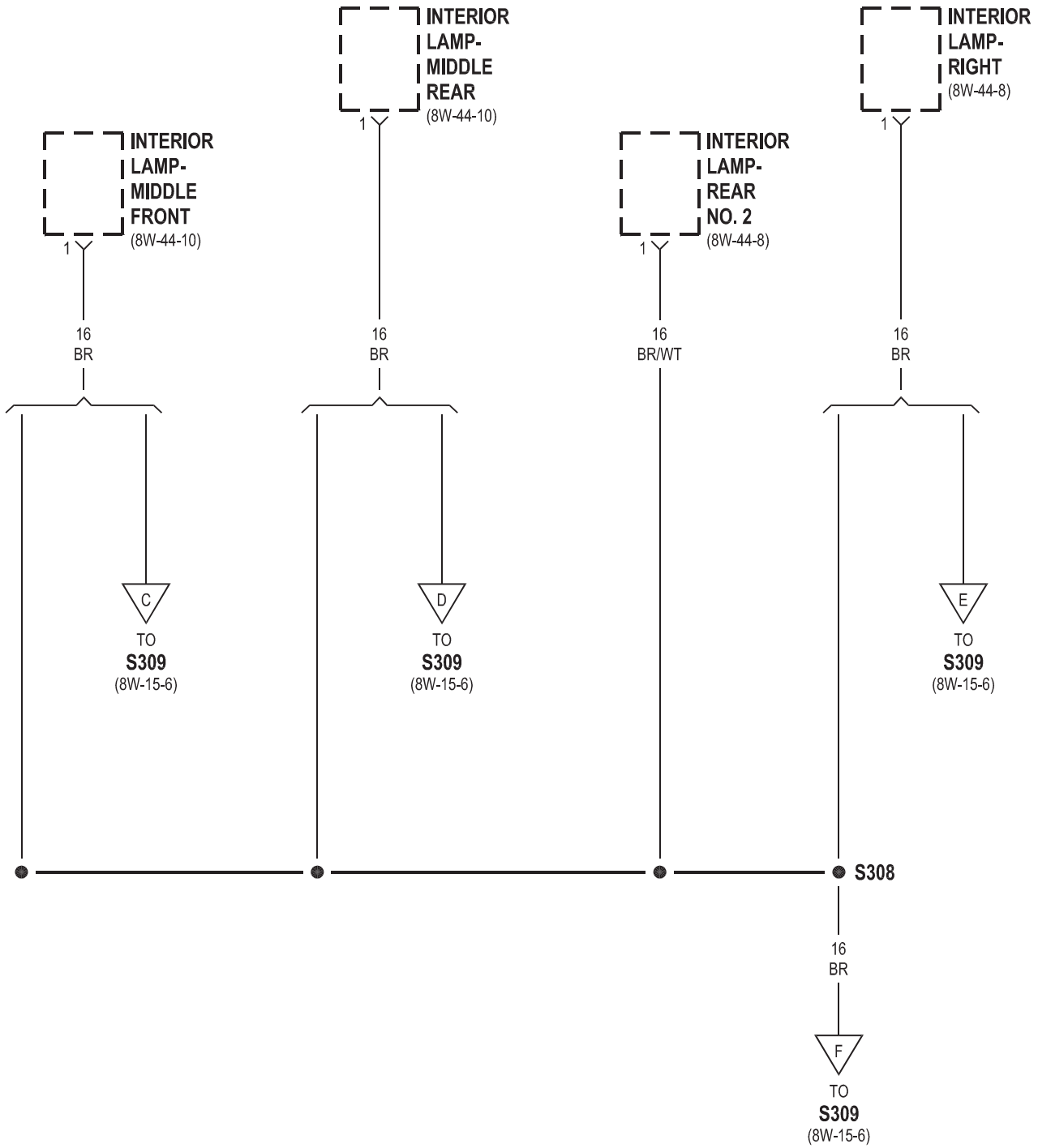
Component	Page	Component	Page
A/C Auxiliary Fan	8W-15-4	Interior Lamp No. 4	8W-15-6
A/C Auxiliary Fan Relay	8W-15-12	Interior Lamp No. 5	8W-15-6
A/C Compressor Clutch Relay	8W-15-30	Interior Lamp-Left	8W-15-6
A/C Roof Auxiliary Fan	8W-15-30	Interior Lamp-Middle Front	8W-15-5, 6
A/C Roof Auxiliary Fan Relay	8W-15-30	Interior Lamp-Middle Rear	8W-15-5, 6
Additional Heat Exchanger	8W-15-12	Interior Lamp-Rear No. 2	8W-15-5
Additional Heat Exchanger Relay	8W-15-12	Interior Lamp-Right	8W-15-5, 6
Additional Heat Exchanger Switch	8W-15-24	Interior Light Switch	8W-15-21
Airbag Control Module	8W-15-11	Interior Lighting Connector	8W-15-6
Ash Receiver Lamp	8W-15-22	Intrusion Sensor No. 1	8W-15-6
Automatic Temperature Control Module	8W-15-24	Intrusion Sensor No. 2	8W-15-6
Auxiliary Heater Control	8W-15-24	Intrusion Sensor No. 3	8W-15-6
Battery	8W-15-8	Kickdown Switch	8W-15-8
Battery Relay-Auxiliary	8W-15-11	Lamp Relay-Left	8W-15-13
Battery-Auxiliary	8W-15-11	Lamp Relay-Right	8W-15-13
Blower Motor-Front	8W-15-9	License Plate Lamp No. 1	8W-15-27
Brake Fluid Level Switch	8W-15-8	License Plate Lamp No. 2	8W-15-27
Brake Wear Sensor-Left Front	8W-15-8	Locker Switch No. 1	8W-15-20
Brake Wear Sensor-Left Rear	8W-15-28	Map/Reading Lamp Switch	8W-15-21
Brake Wear Sensor-Right Front	8W-15-8	Marker Lamp Connector	8W-15-17
Brake Wear Sensor-Right Rear	8W-15-28	Marker Lamp No. 1-Left Front	8W-15-16
CTEL Connector	8W-15-21	Marker Lamp No. 1-Right Front	8W-15-16
Cabin Heater Module	8W-15-3	Marker Lamp No. 2-Left Front	8W-15-16
Center High Mounted Stop Lamp	8W-15-6	Marker Lamp No. 2-Right Front	8W-15-16
Central Timer Module	8W-15-15	Marker Lamp-Left Center	8W-15-17
Cigar Lighter	8W-15-22	Marker Lamp-Left Rear	8W-15-27
Cigar Lighter Lamp	8W-15-22	Marker Lamp-Right Center	8W-15-17
Circulation Pump	8W-15-9	Marker Lamp-Right Rear	8W-15-27
Circulation Pump Relay-Cabin Heater Module	8W-15-12	Master Door Lock Switch	8W-15-25
Clockspring	8W-15-10	Metering Pump	8W-15-18
Controller Antilock Brake	8W-15-2, 28	Multi-Function Switch	8W-15-7
Crankcase Heater	8W-15-4	Optional Equipment Relay	8W-15-19
Cylinder Lock Switch-Driver	8W-15-10	Panic Alarm Switch	8W-15-20
D+ Relay No. 1	8W-15-12	Parking Brake Switch	8W-15-15
D+ Relay No. 2	8W-15-14	Power Mirror Motor-Driver	8W-15-23
Data Link Connector	8W-15-10	Power Mirror Motor-Passenger	8W-15-23
Daytime Running Lamp Relay-Left Side	8W-15-13	Power Mirror Switch	8W-15-23
Daytime Running Lamp Relay-Right Side	8W-15-13	Power Window Switch-Driver	8W-15-23
Daytime Running Lamps Relay	8W-15-13	Power Window Switch-Master	8W-15-23
Differential Lock Solenoid Valve	8W-15-2	Radio	8W-15-21
Dome Lamp	8W-15-6	Rain Sensor	8W-15-31
Dosing Pump	8W-15-2	Rain Sensor Control Module	8W-15-19, 31
Engine Control Module	8W-15-7	Reading Lamp Connector	8W-15-6
Engine Coolant Level Switch	8W-15-2	Rear Window Defogger Relay	8W-15-14
Fan Stage 1 Relay	8W-15-11	Recirculated Air Solenoid Valve	8W-15-9
Fog Lamp Relay	8W-15-11	Rollover Switch Assembly	8W-15-3
Fog Lamp Switch	8W-15-22	Roof A/C Blower	8W-15-29
Fuel Pump	8W-15-19	Roof A/C Blower Stage I And Ii Relay	8W-15-29
Fuse Block No. 1	8W-15-7	Roof A/C Blower Stage I Relay	8W-15-29
Fused Ignition Switch Run-Start Relay	8W-15-14	Roof A/C Blower Stage Ii Relay	8W-15-29
G100	8W-15-2, 3	Roof A/C Control Module	8W-15-28
G101	8W-15-4	Roof A/C Switch	8W-15-24
G102	8W-15-4	Roof Fan Switch	8W-15-21
G103	8W-15-4	Roof Thermotronic Control Module	8W-15-30
G200	8W-15-6, 7, 8, 9, 10	Seat Belt Switch	8W-15-15
G201	8W-15-11	Security System Module	8W-15-15
G202	8W-15-11, 12, 13, 14, 15, 16, 17, 18, 19	Sentry Key Remote Entry Module	8W-15-7
G203	8W-15-20, 21, 22, 23, 24, 25	Shifter Assembly	8W-15-20
G300	8W-15-26, 27, 28	Siren	8W-15-9
G301	8W-15-28	Steering Angle Sensor	8W-15-7
G302	8W-15-28	TCS Switch	8W-15-25
G303	8W-15-31	Tail Lamp Assembly-Left	8W-15-26
G304	8W-15-31	Tail Lamp Assembly-Right	8W-15-26
G305	8W-15-29, 30	Thermotronic Diode	8W-15-30
Glow Plug Control Module	8W-15-2	Time Delay Relay	8W-15-17
Hazard Warning Switch	8W-15-7	Towing/Intrusion Sensor On/Off Switch	8W-15-22
Headlamp Adjust Switch	8W-15-22	Trailer Tow Connector	8W-15-28
Headlamp Assembly-Left	8W-15-3	Trailer Tow Control Module	8W-15-19
Headlamp Assembly-Right	8W-15-4	Transmission Control Module	8W-15-19
Heated Seat Module-Driver	8W-15-19	Transmission Relay	8W-15-19
Heated Seat Module-Passenger	8W-15-19	Turn Signal No. 1-Left Front	8W-15-3
Heated Seat Switch-Driver	8W-15-25	Turn Signal No. 1-Right Front	8W-15-4
Heated Seat Switch-Passenger	8W-15-25	Turn Signal No. 2-Left Front	8W-15-3
Heater Timer-Auxiliary	8W-15-24	Turn Signal No. 2-Right Front	8W-15-4
High Idle Switch	8W-15-25	Warm Air Auxiliary Heater Assembly	8W-15-18
Hood Ajar Switch	8W-15-4	Washer Pump Motor-Front	8W-15-4
Horn Relay	8W-15-11	Water Cycle Valve	8W-15-9
Horn Switch	8W-15-10	Window Defogger Module-Rear	8W-15-15
Ignition Lock Switch	8W-15-10	Window Defogger Switch-Rear	8W-15-20
Instrument Cluster	8W-15-10	Window Defogger-Left Rear	8W-15-26
Instrument Panel Socket	8W-15-20	Window Defogger-Right Rear	8W-15-26
Interior Lamp No. 1	8W-15-6	Wiper Motor-Front	8W-15-9
Interior Lamp No. 2	8W-15-6	Wiper/Turn Signal/Engine Start Control Module	8W-15-7
Interior Lamp No. 3	8W-15-6		

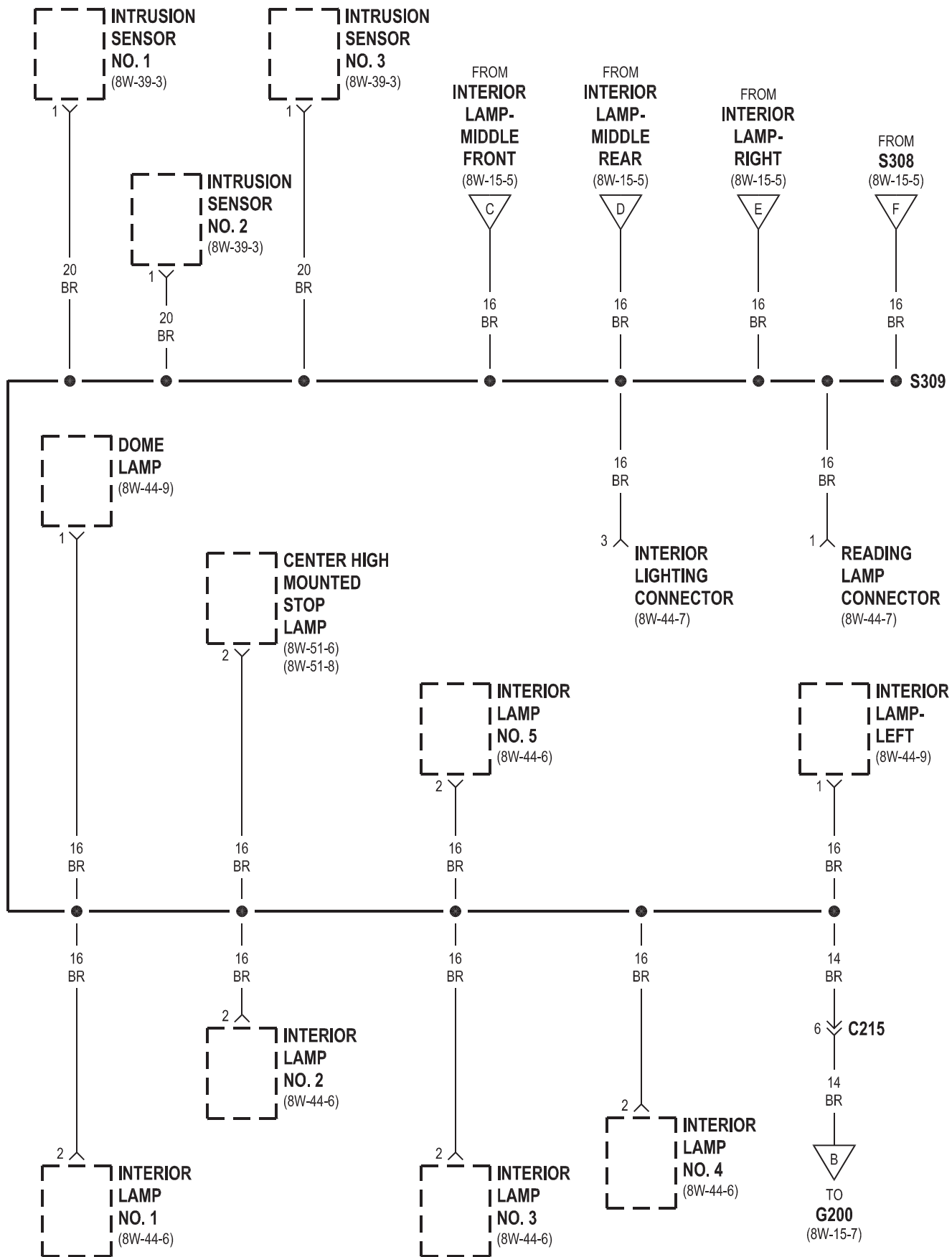


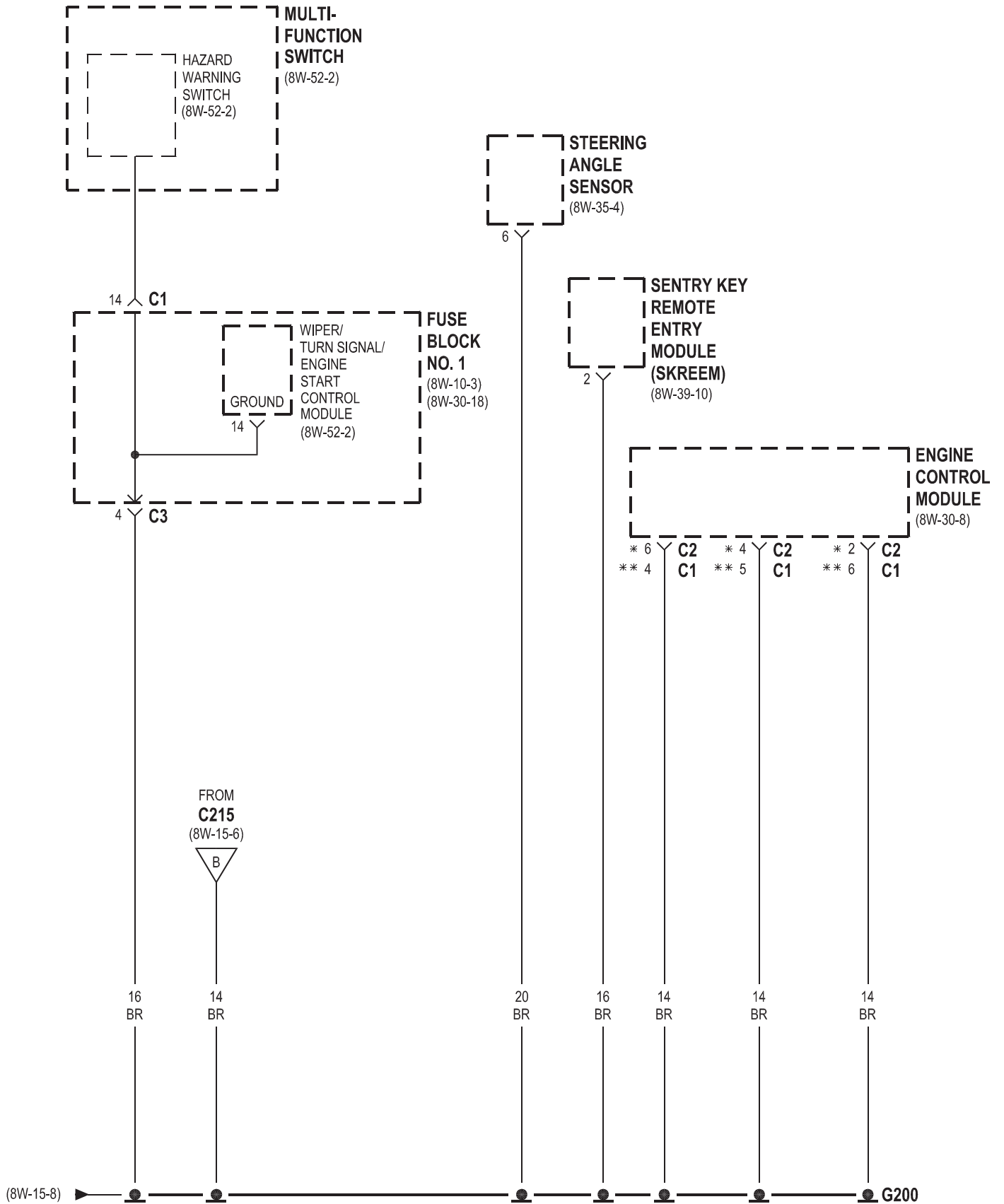


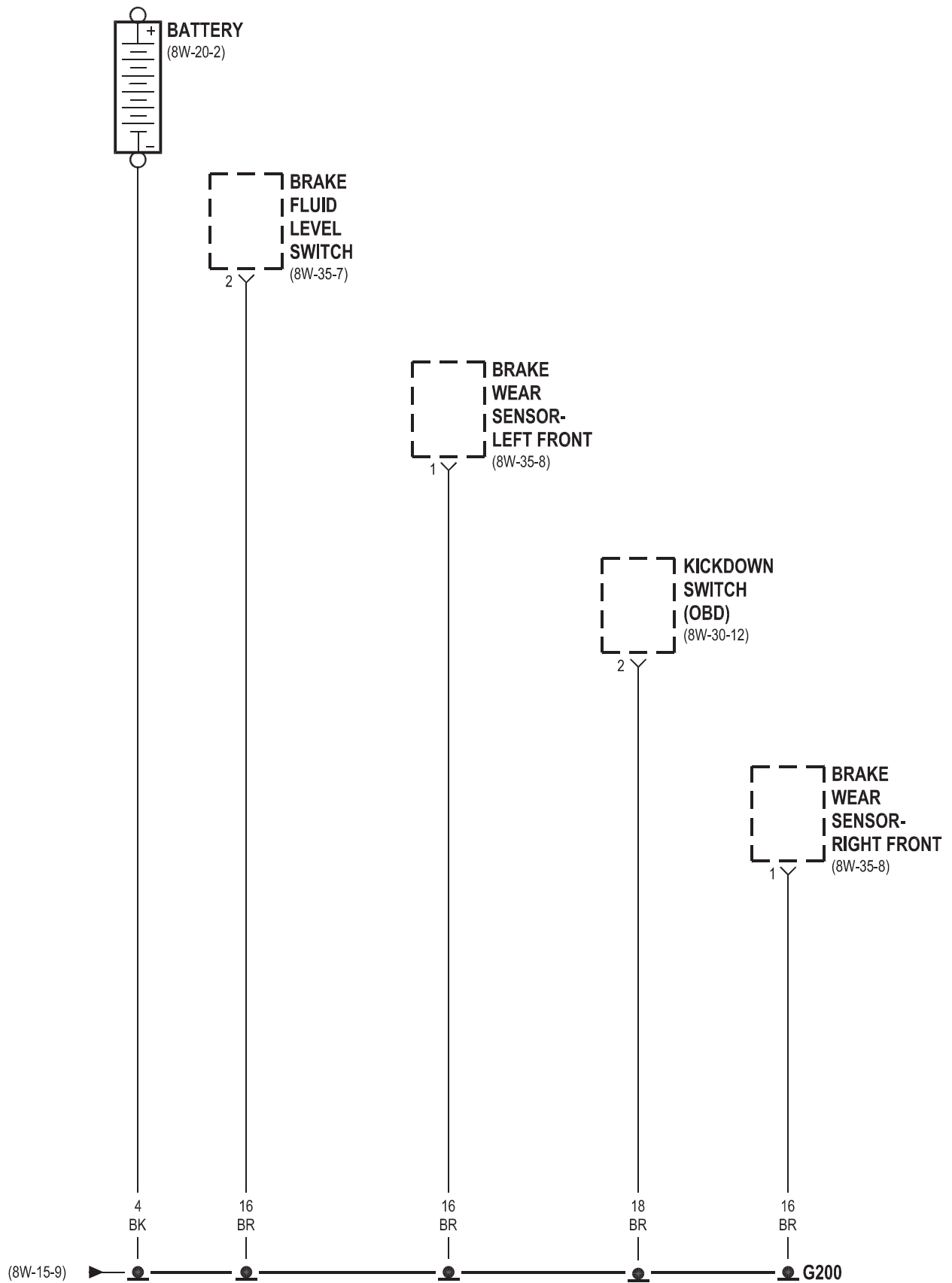


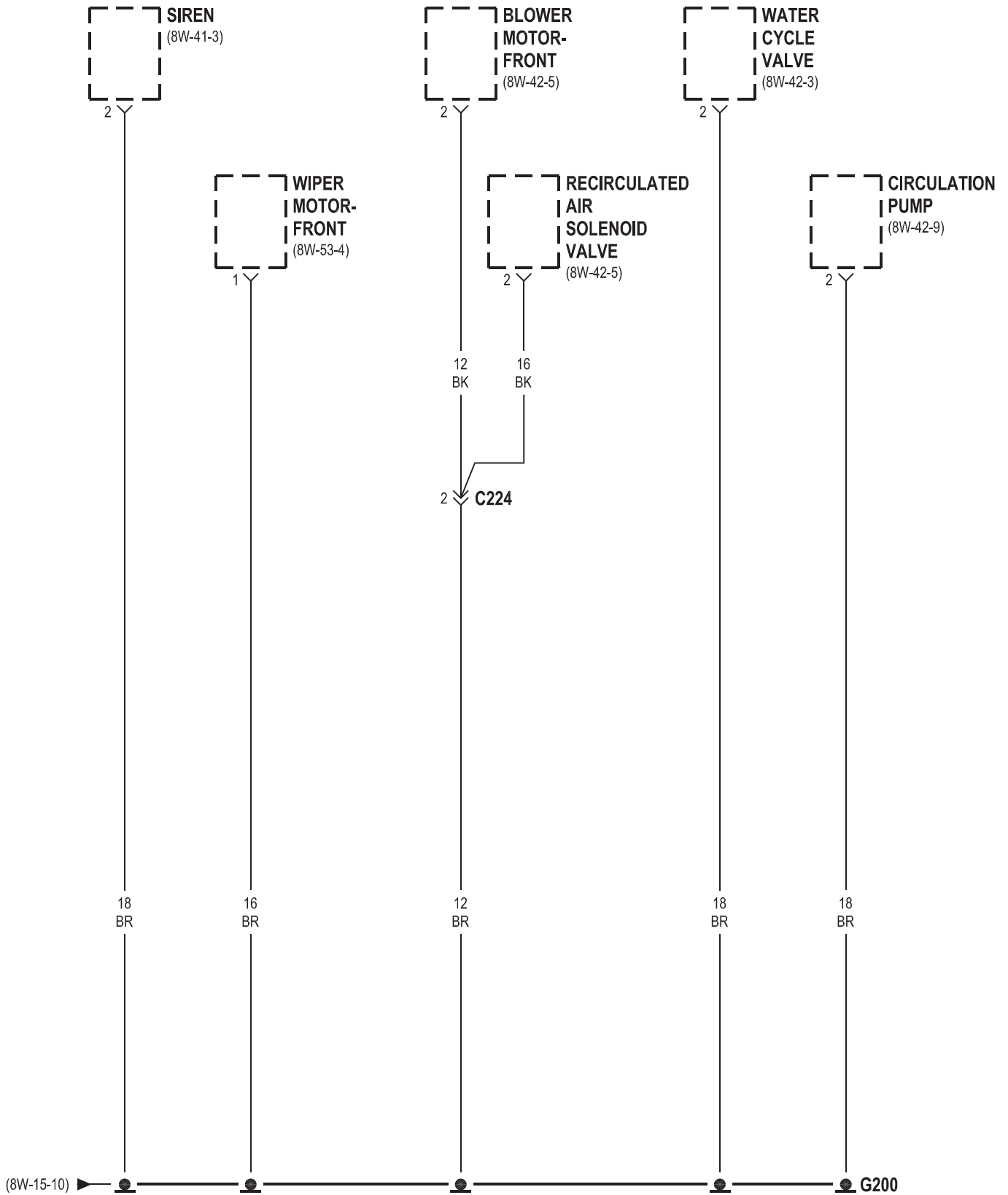
** EXCEPT OBD

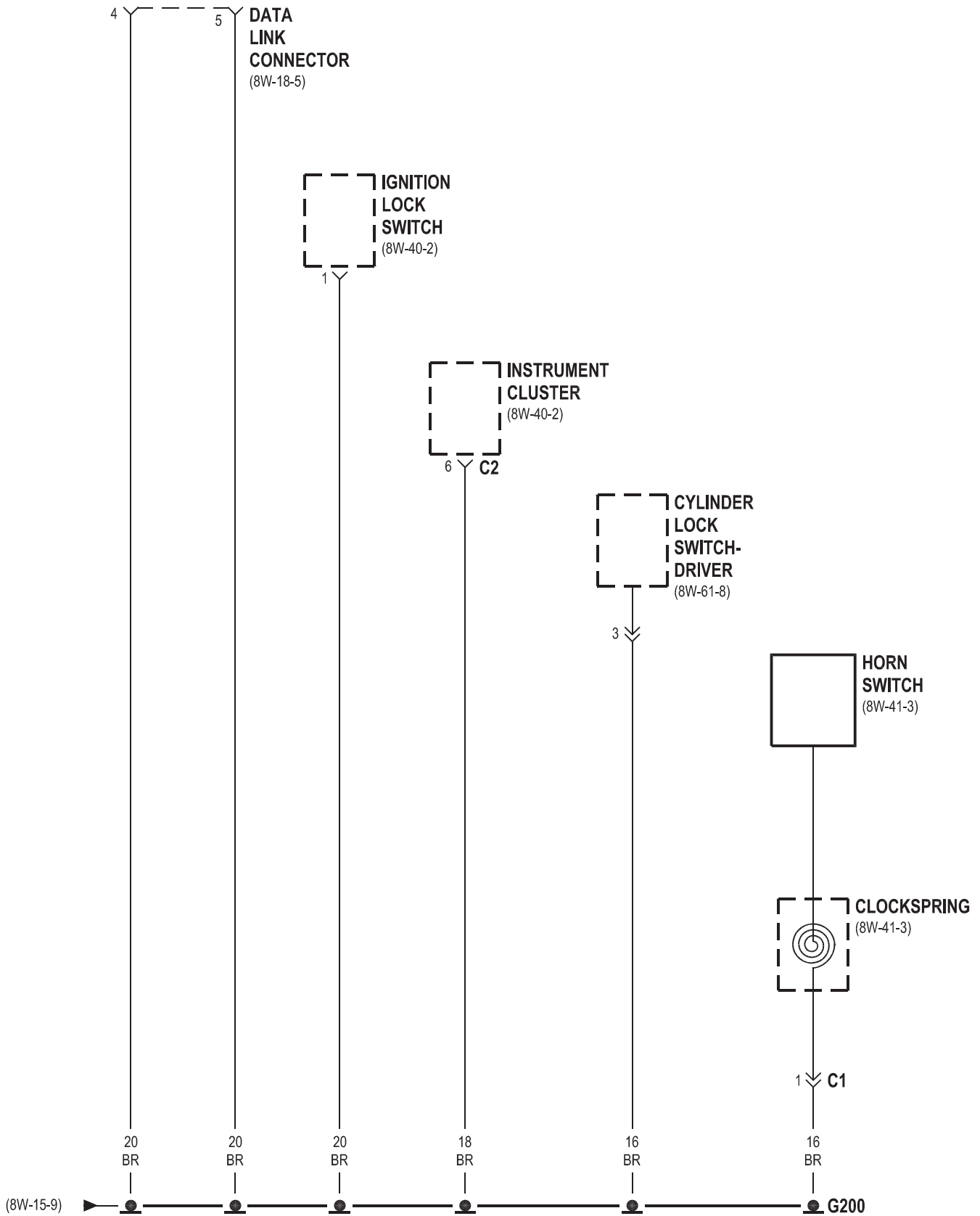


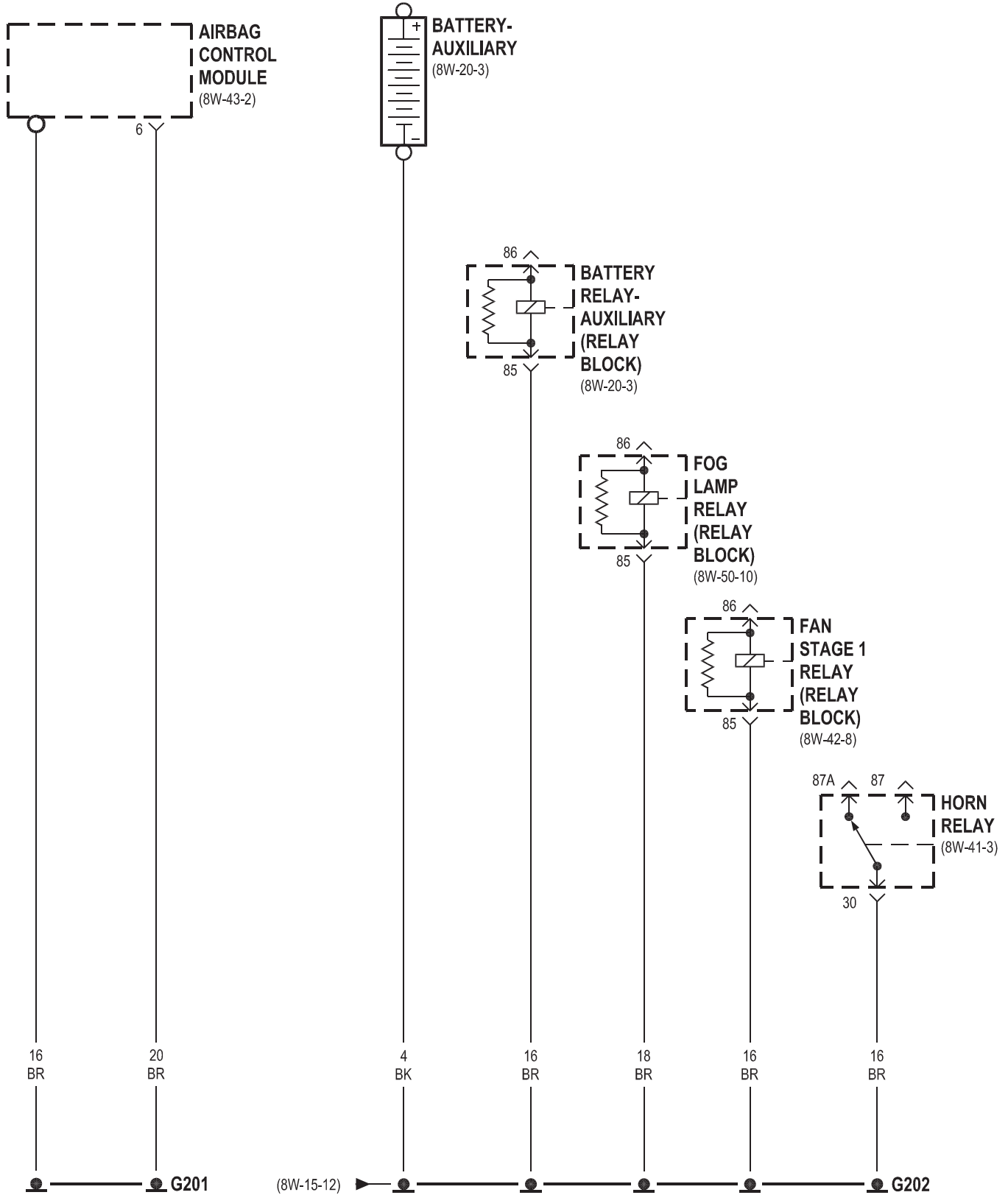


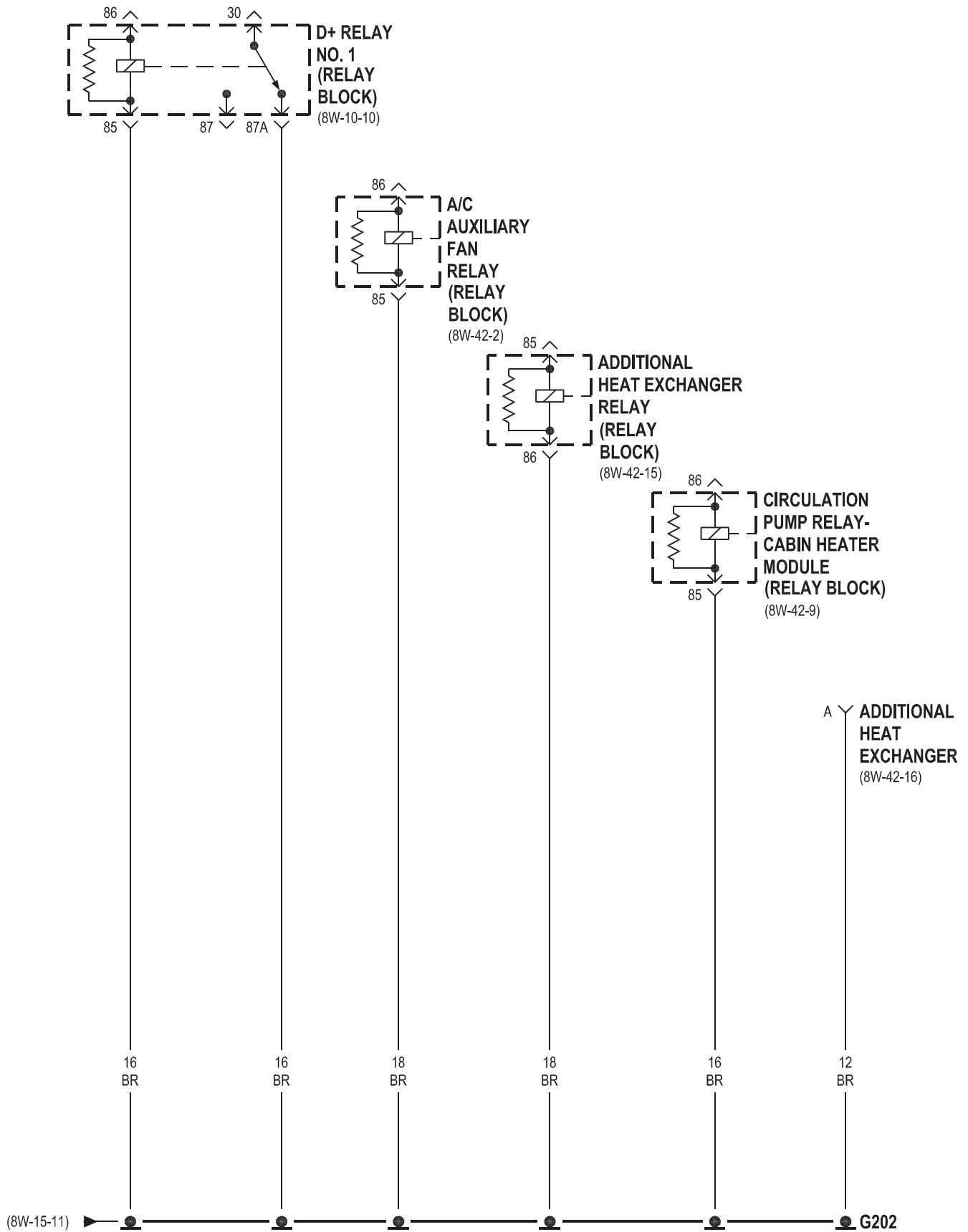


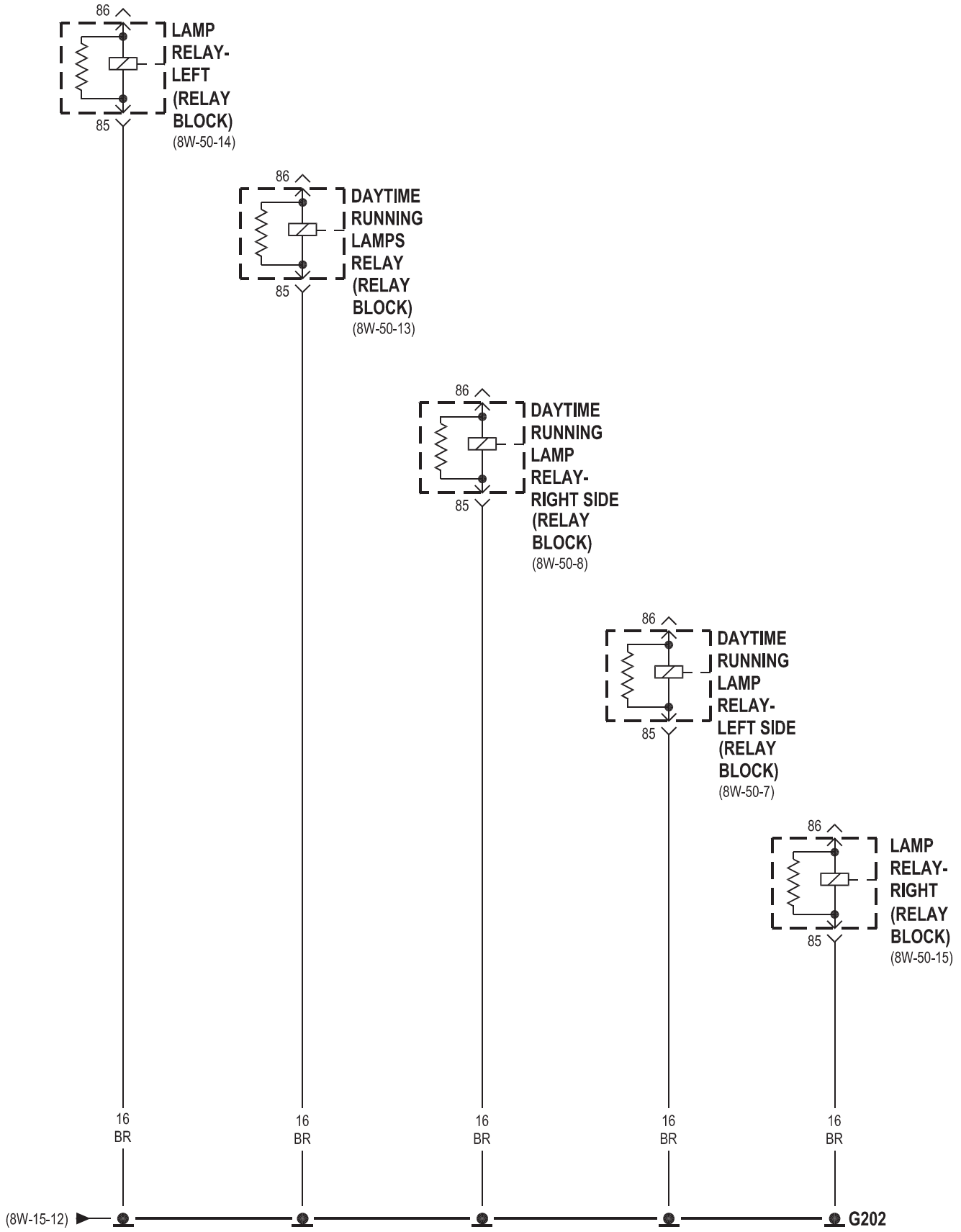


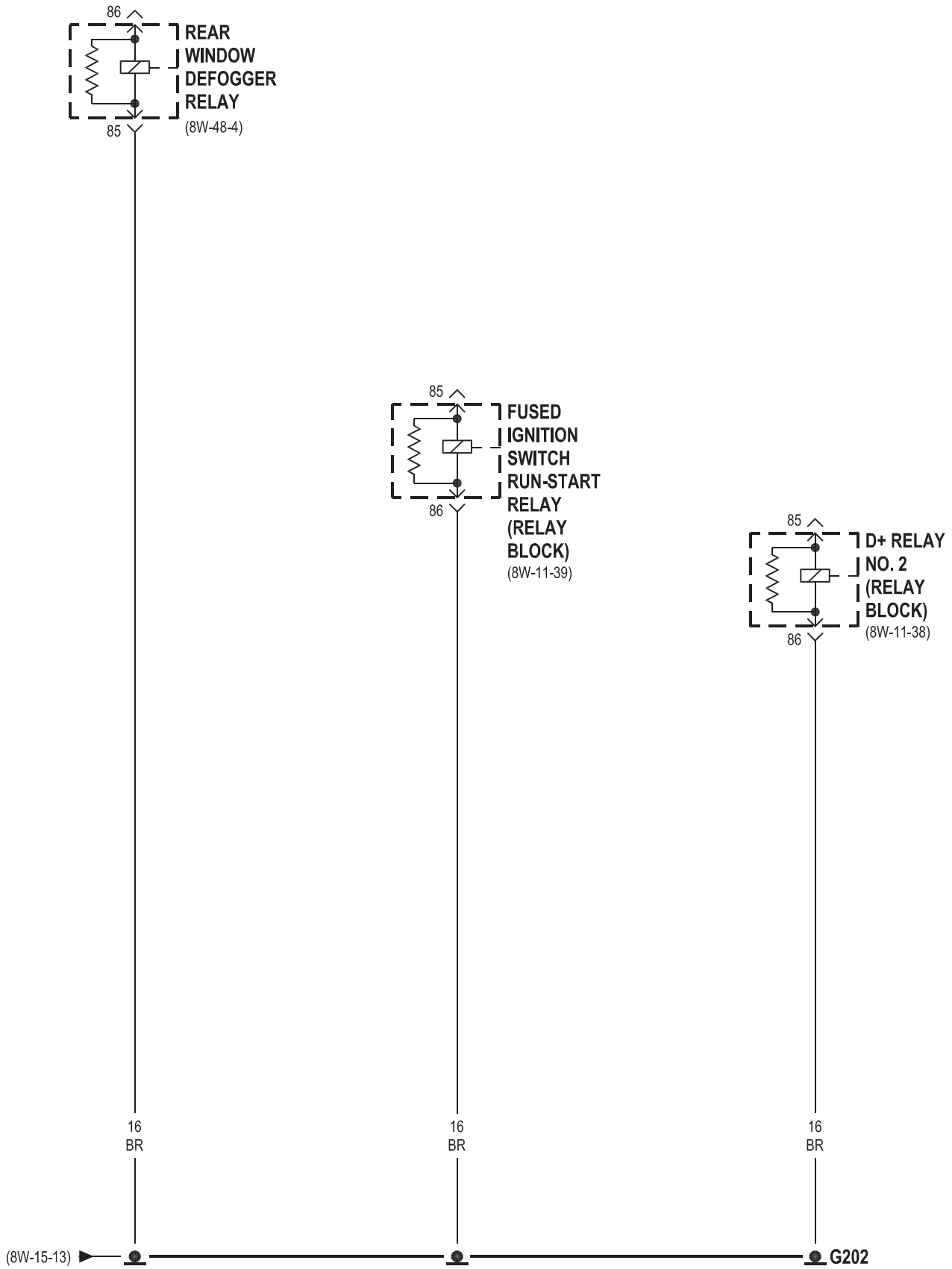


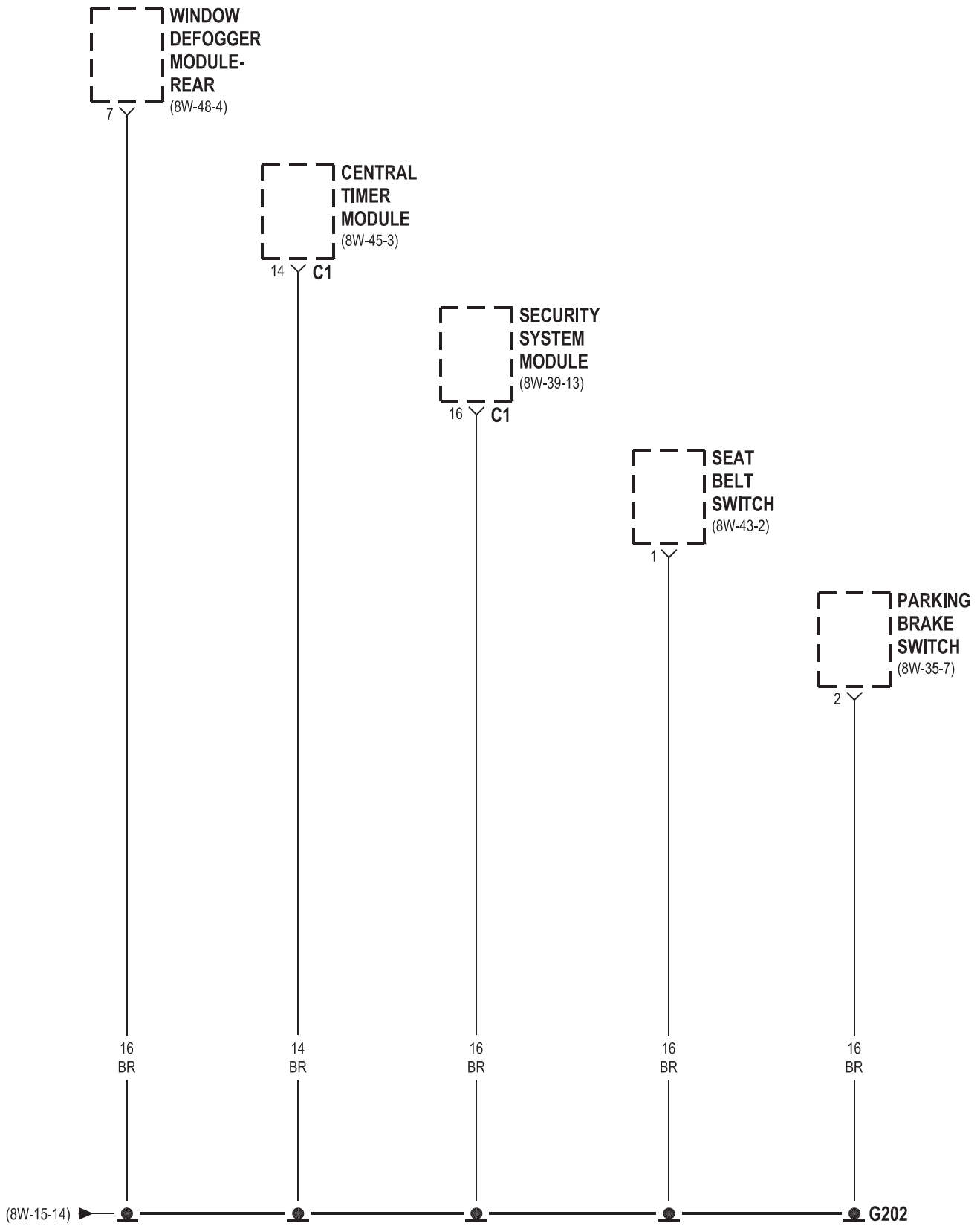


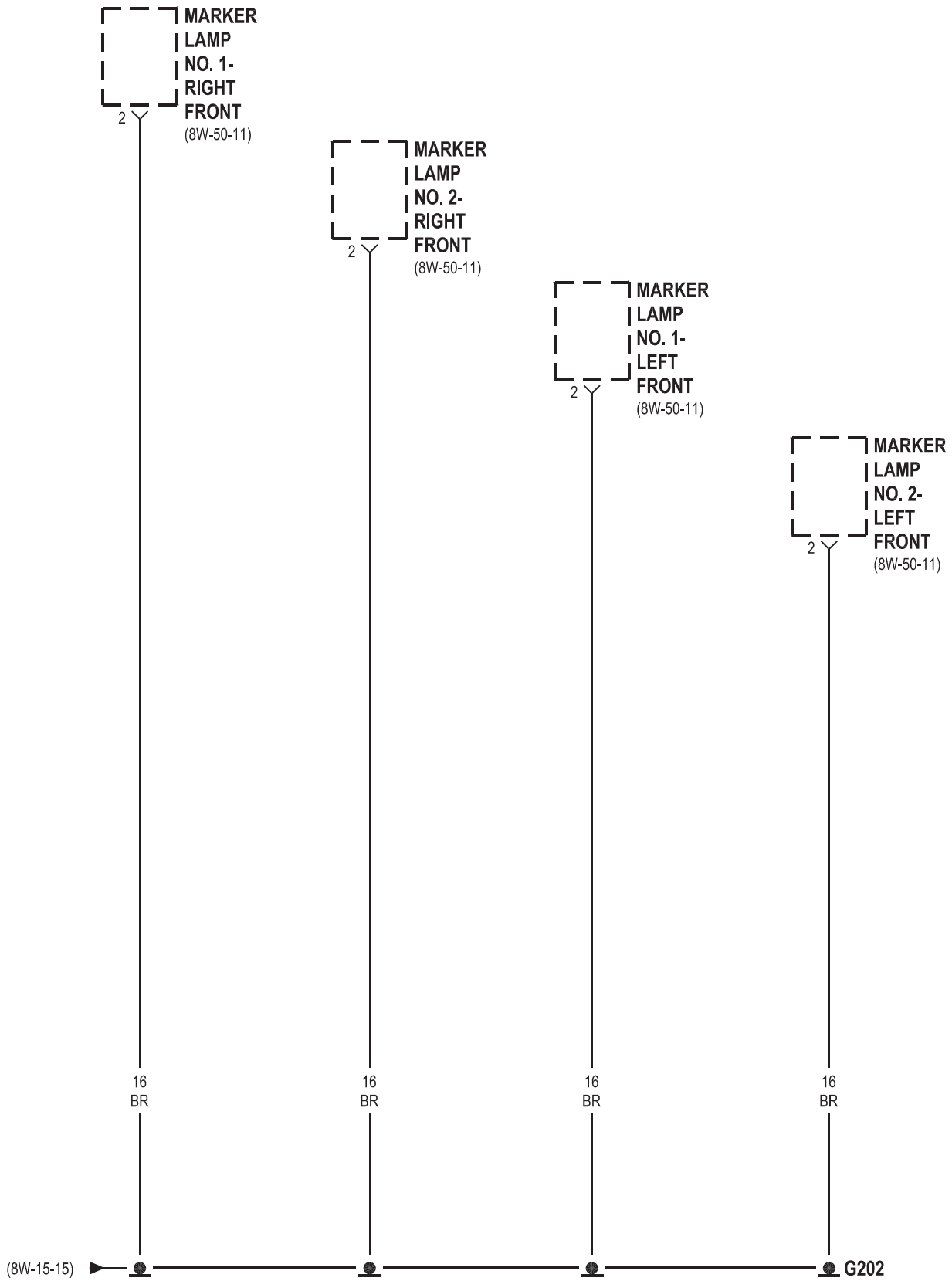


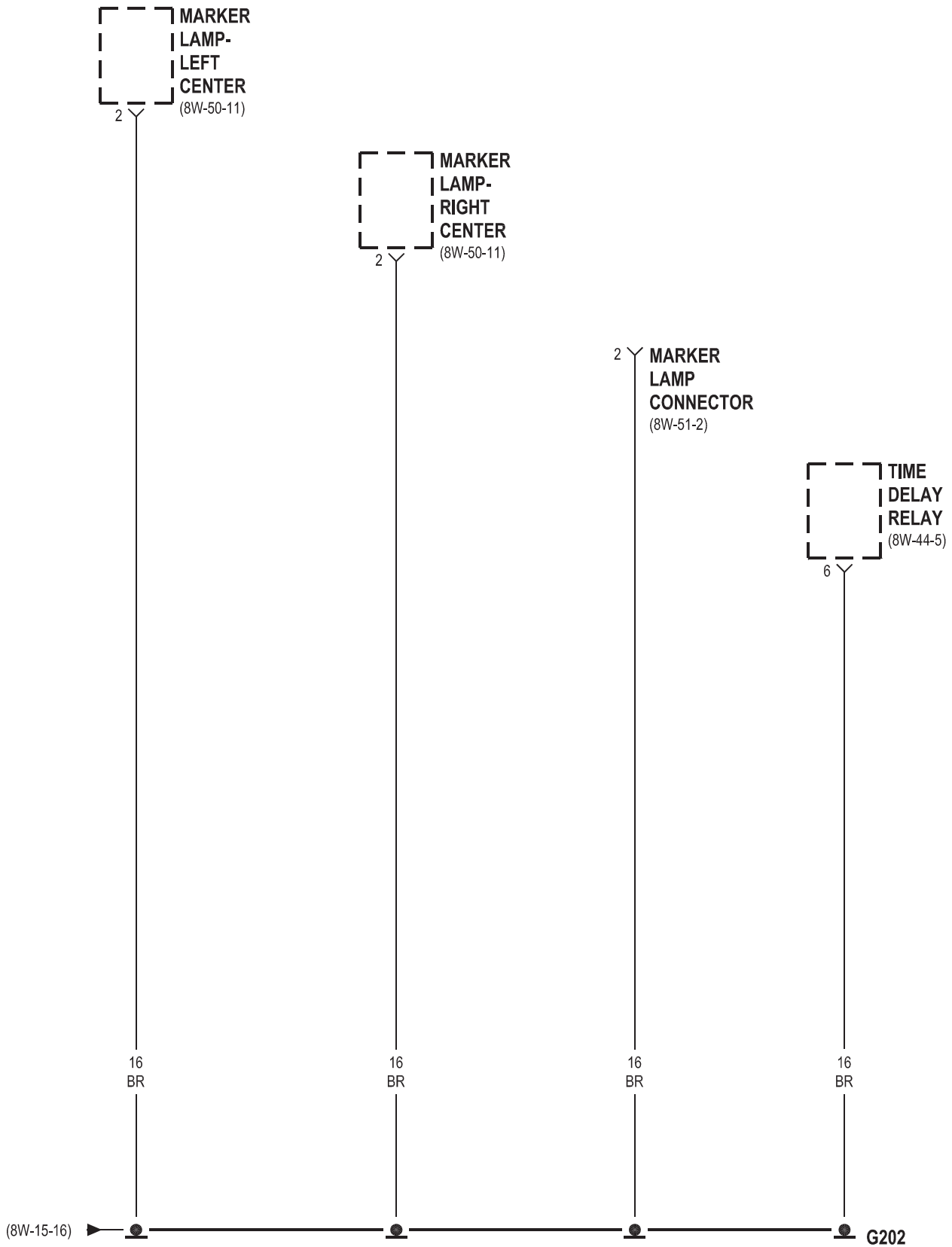


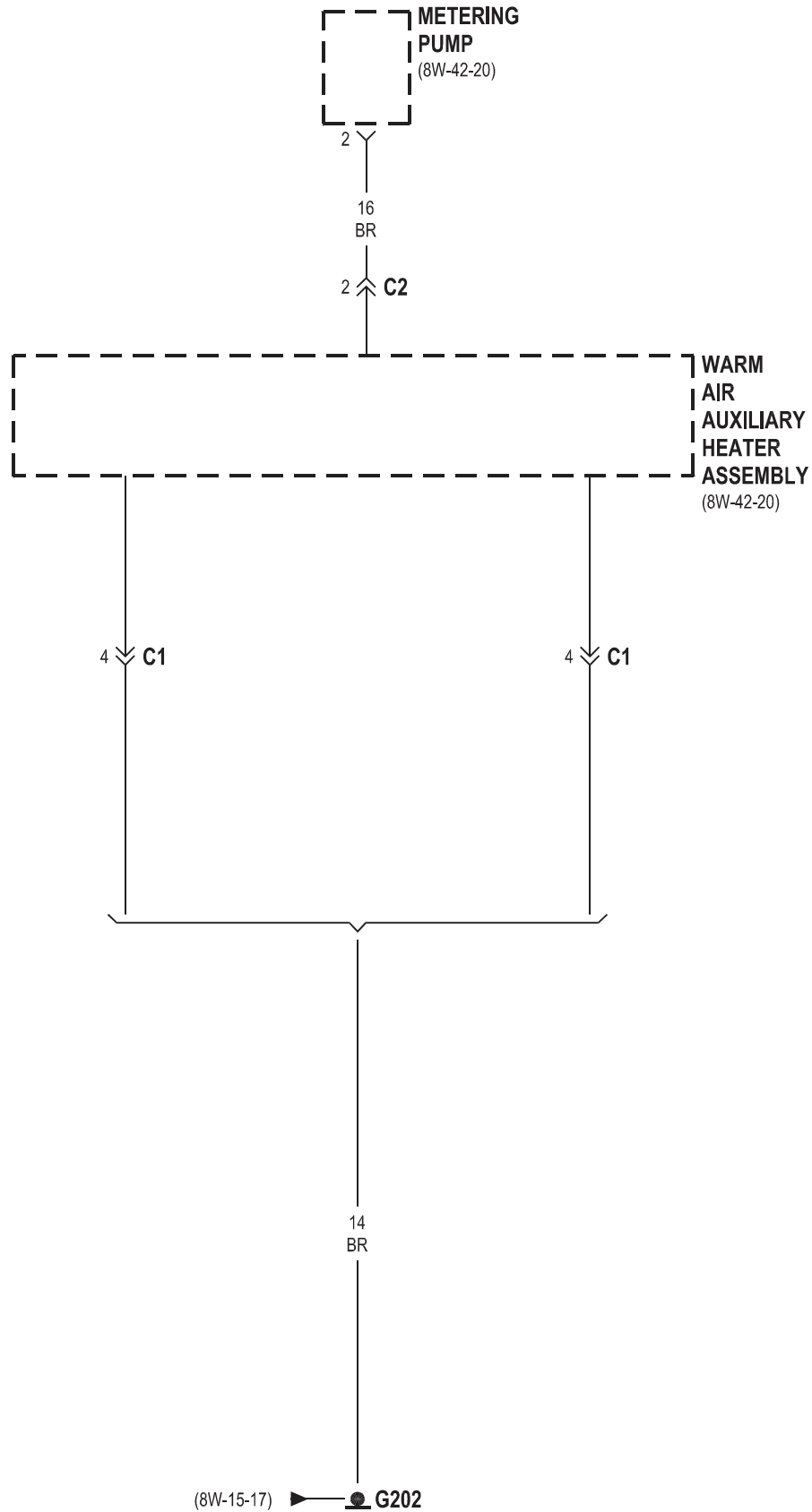


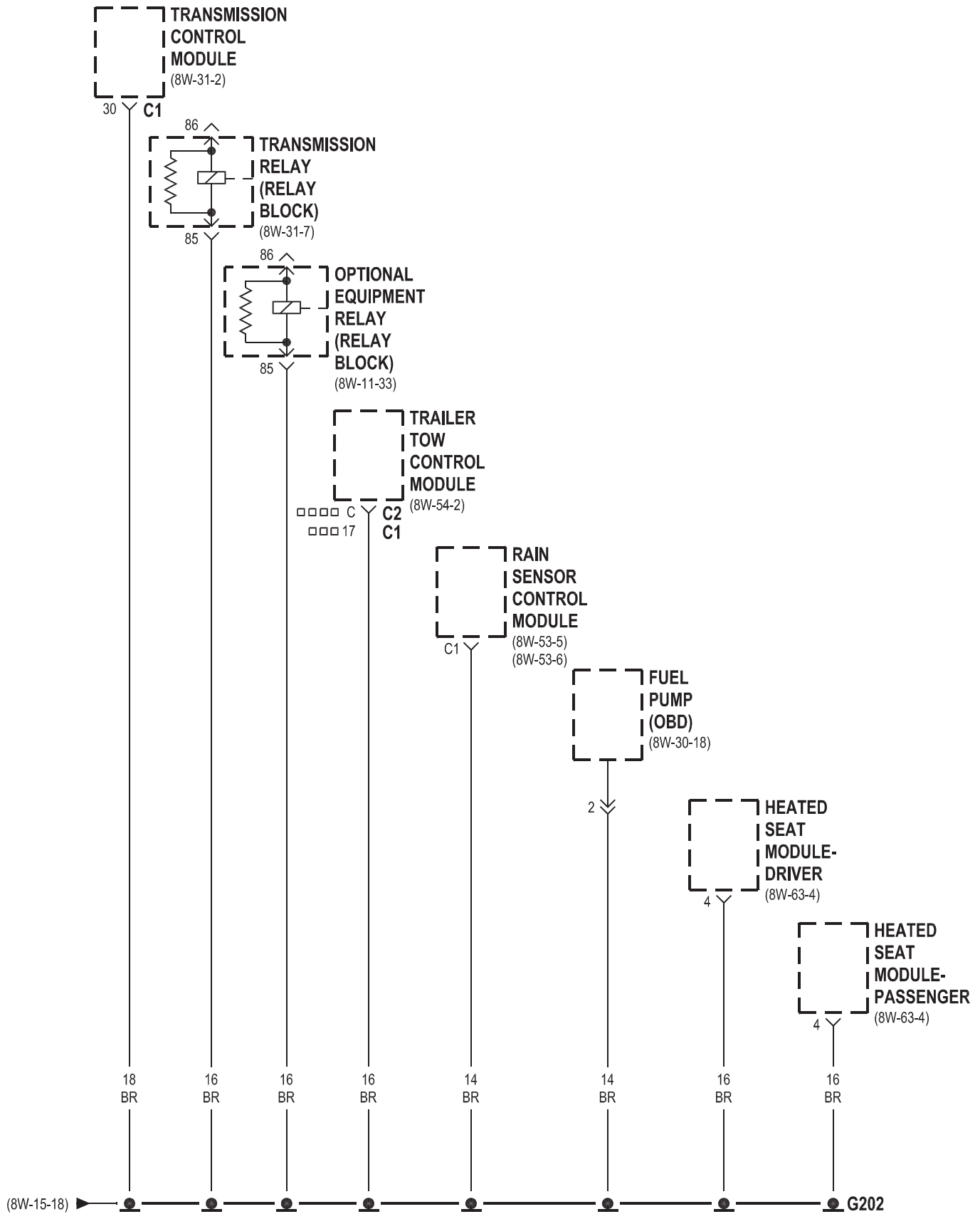




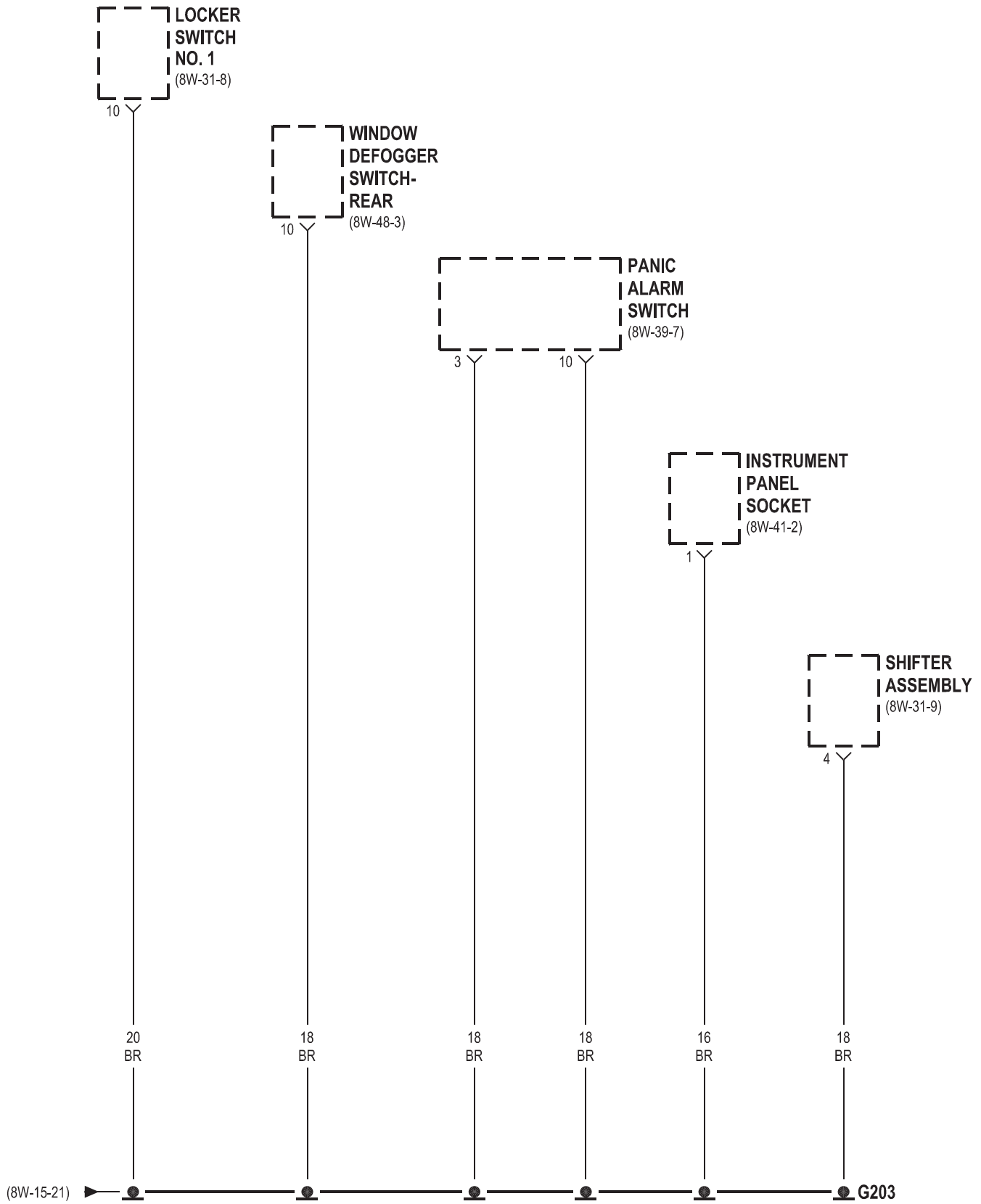


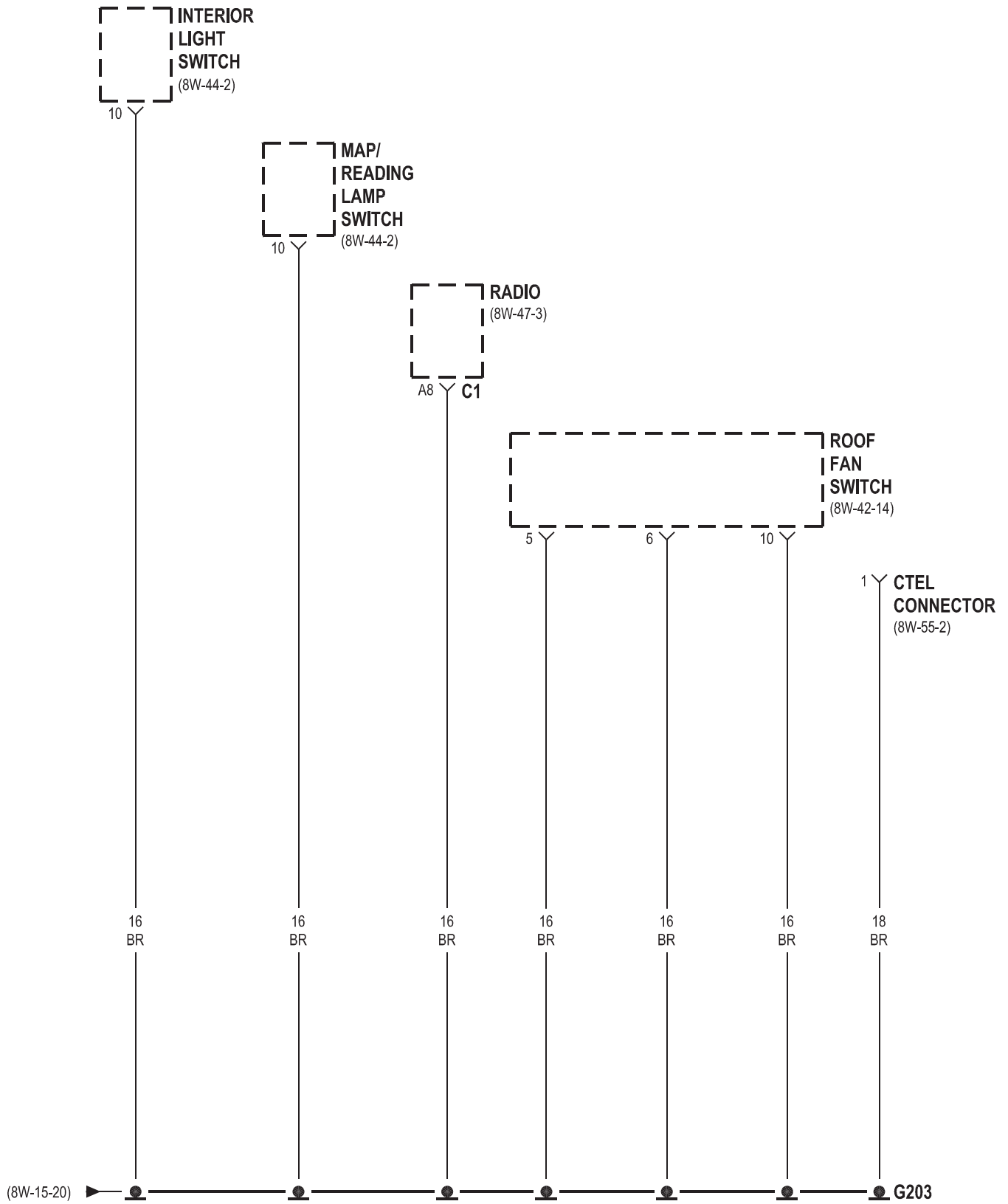


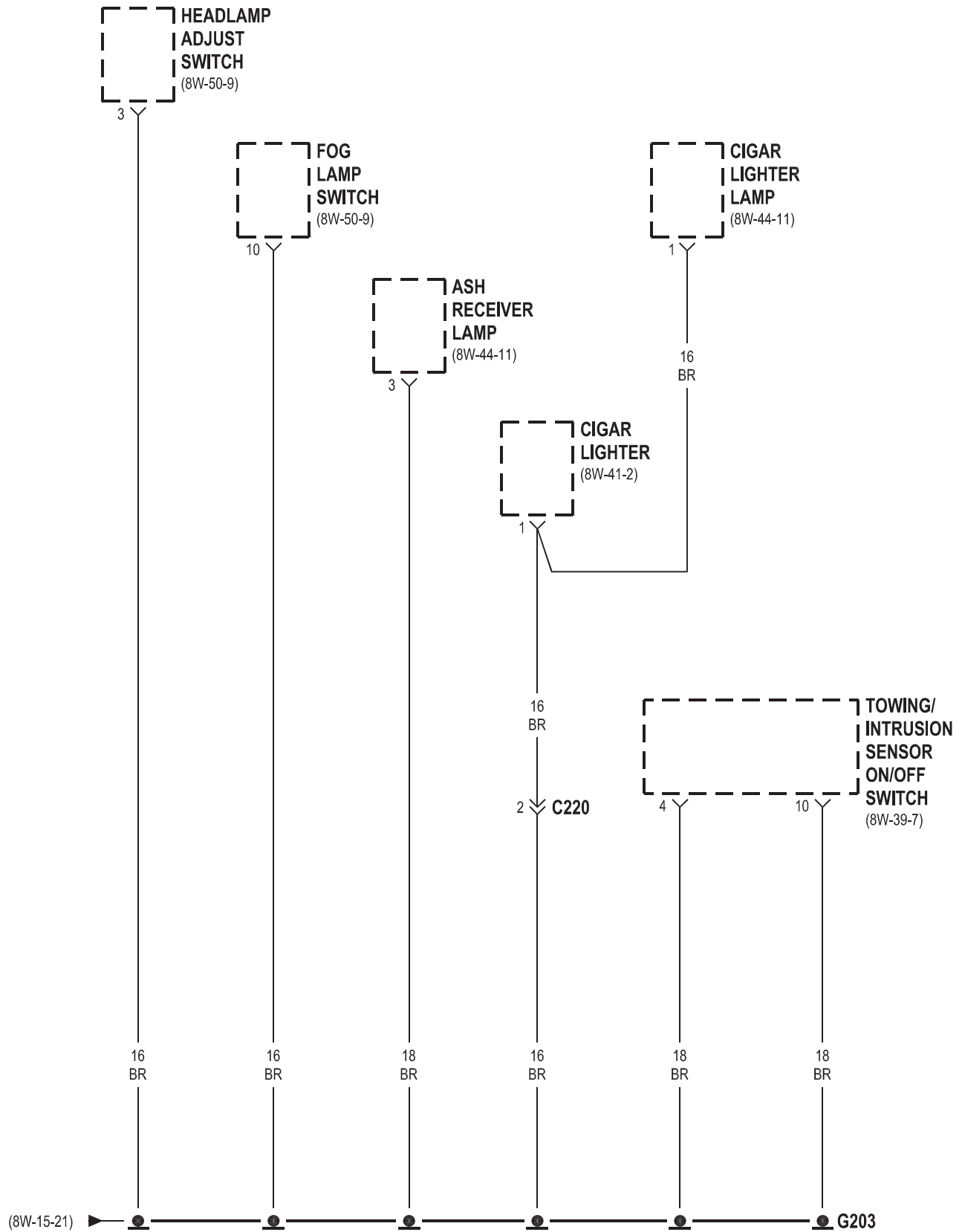


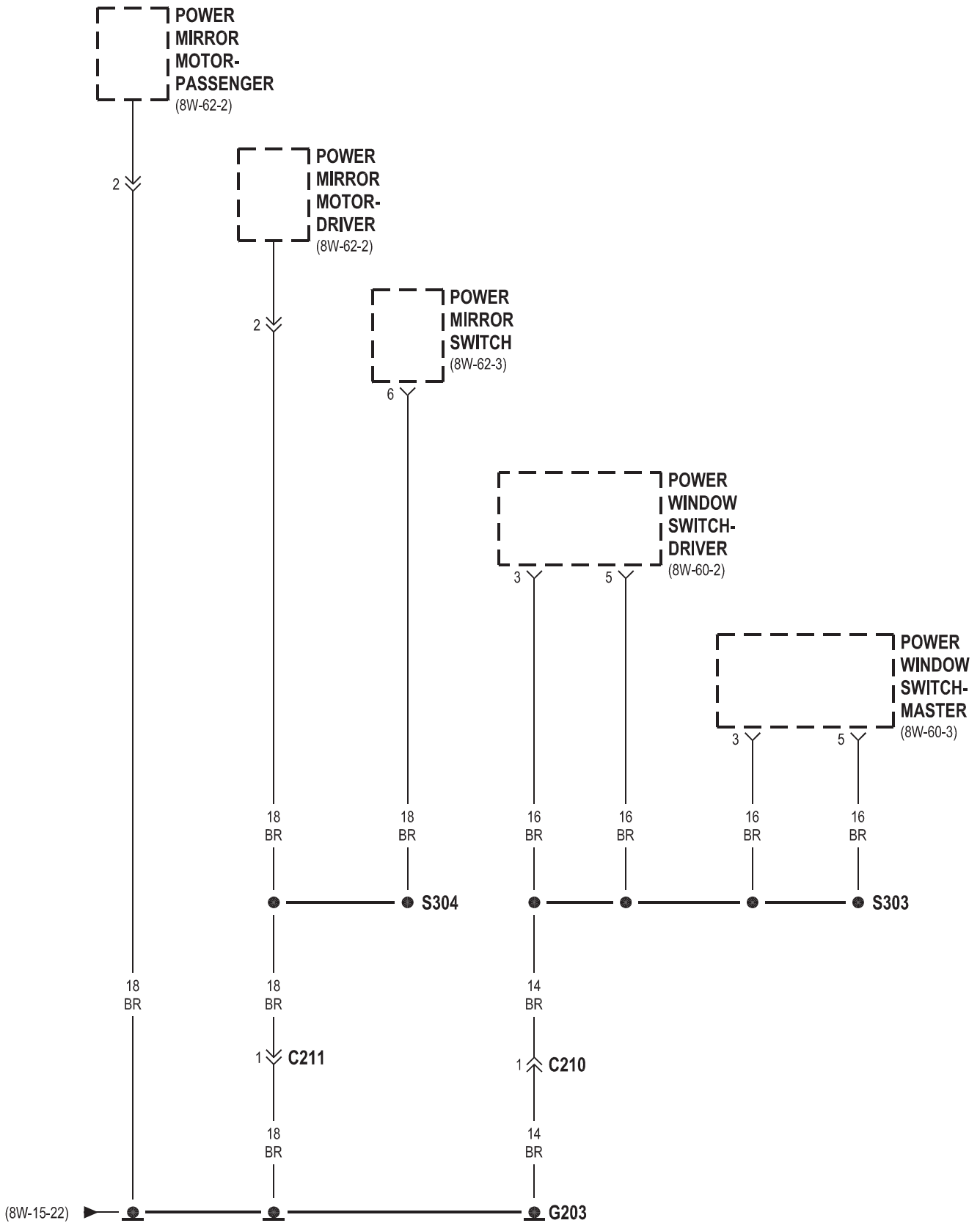


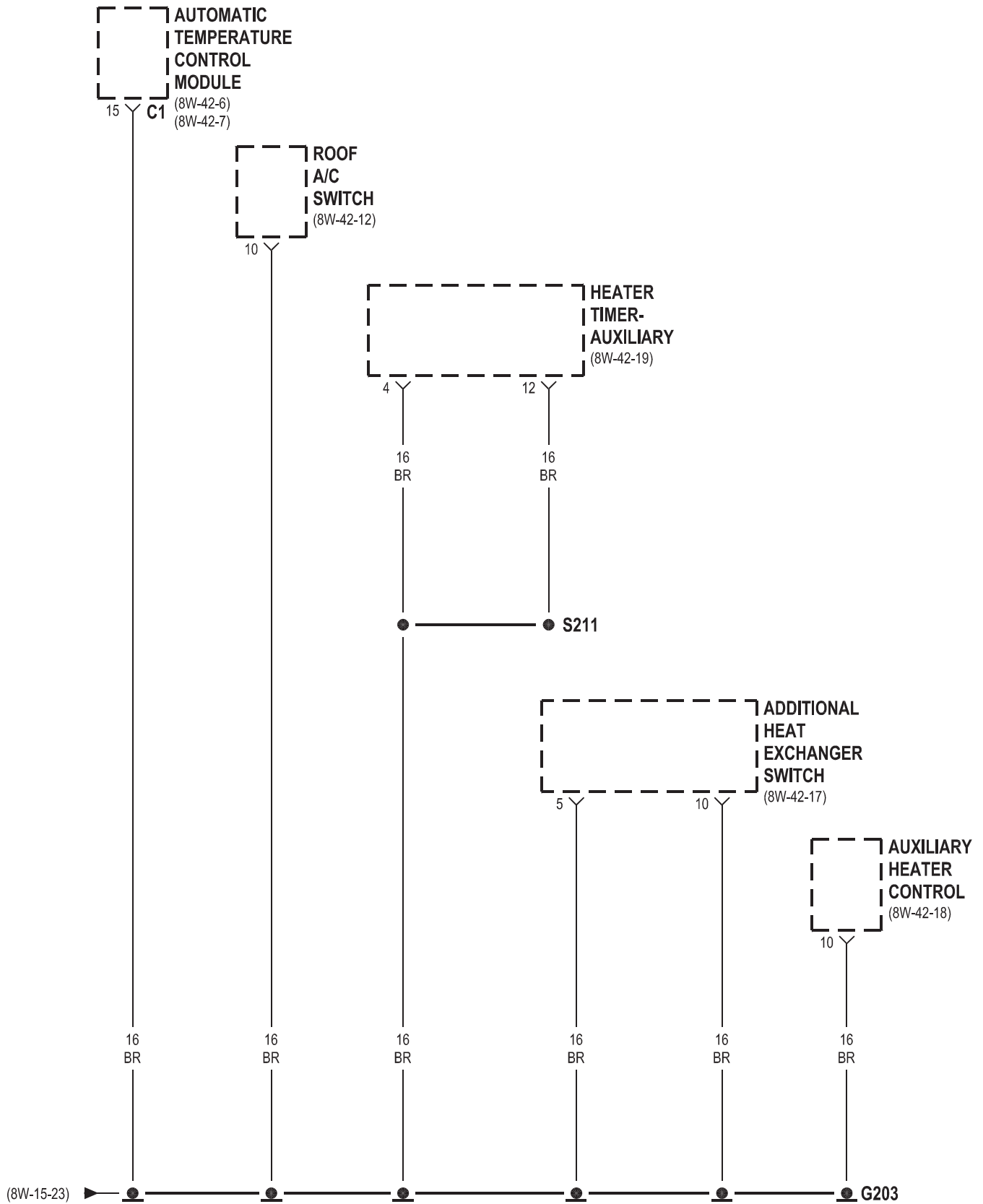
□□ RETROFIT
 □□□ EXCEPT RETROFIT

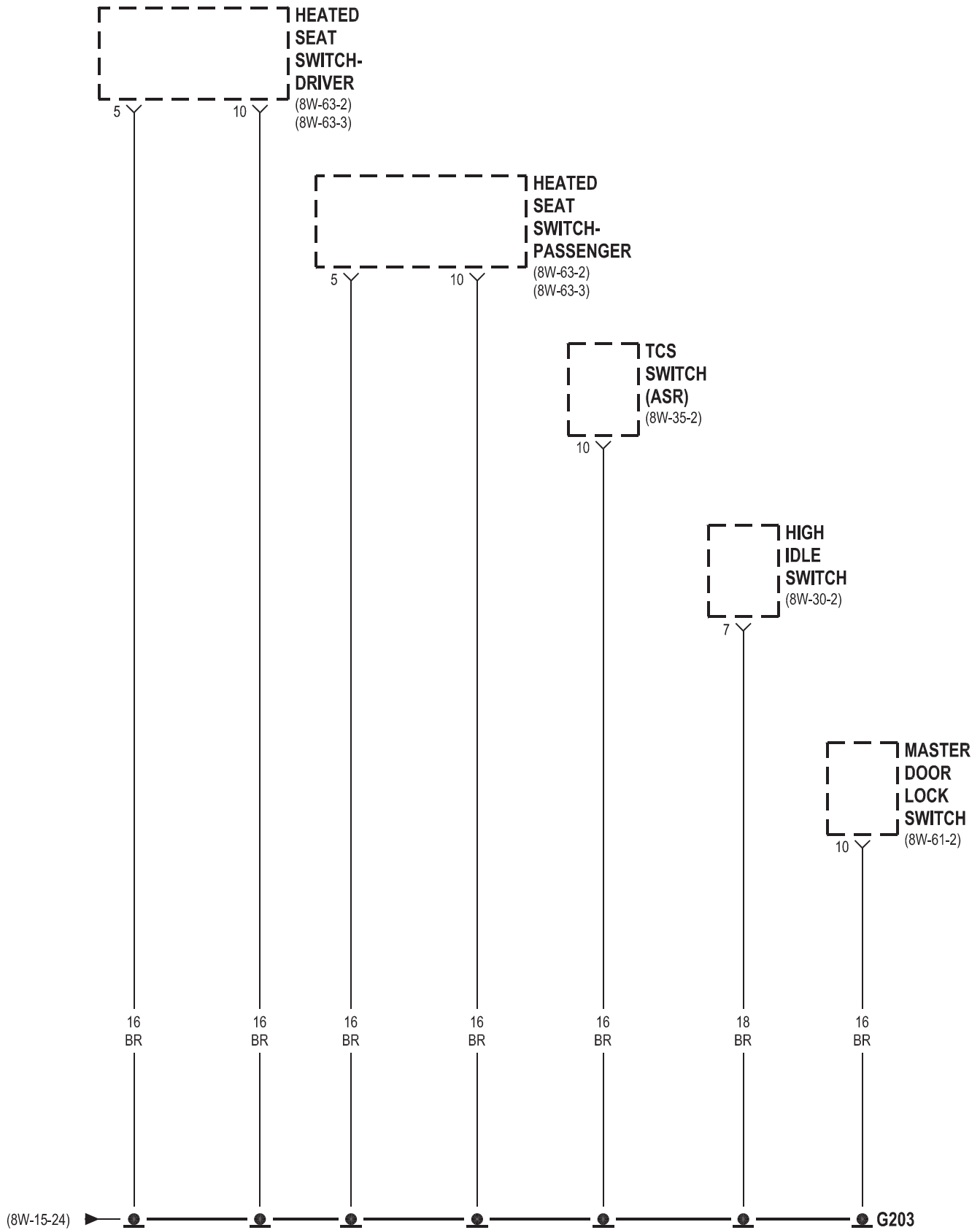


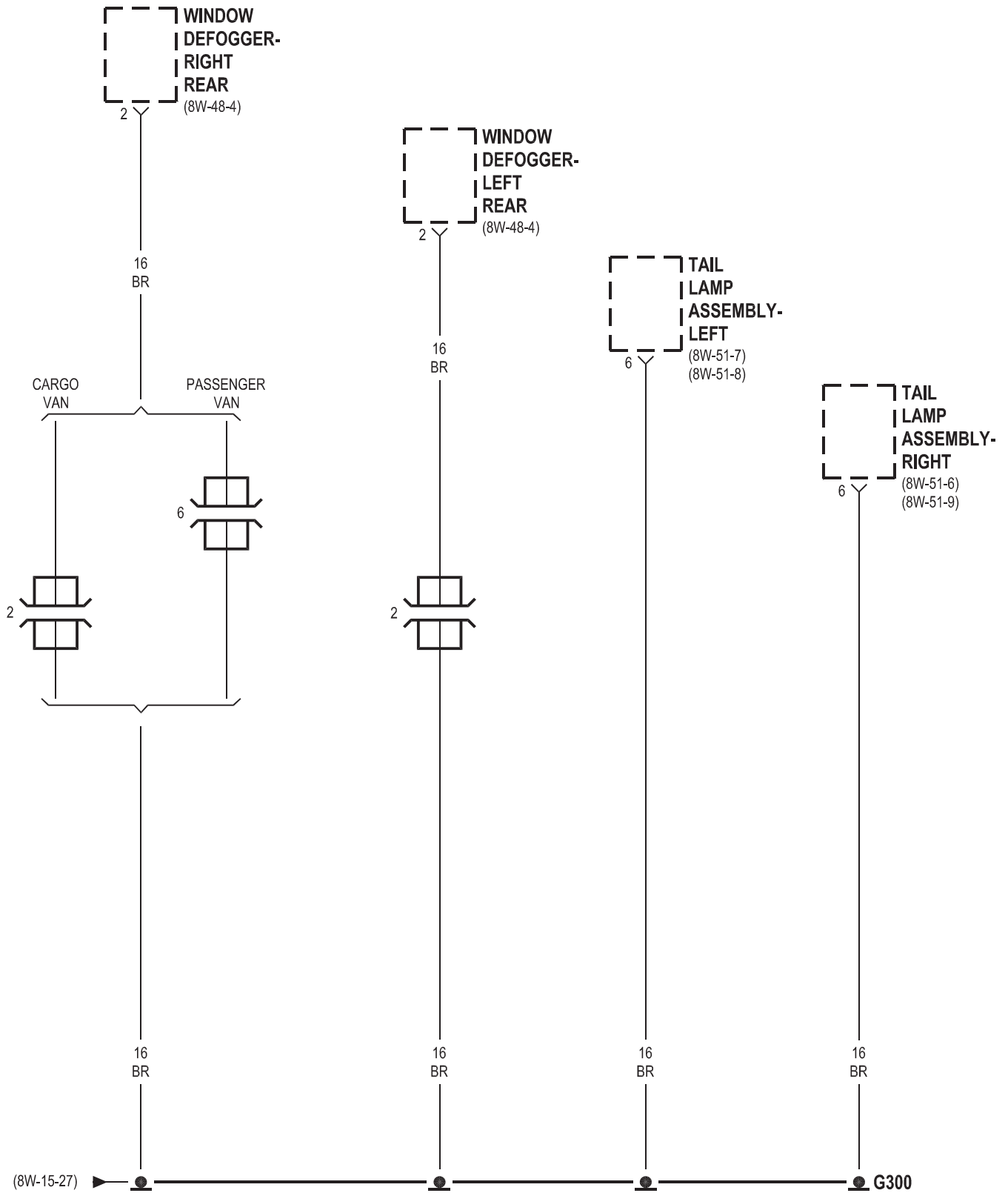


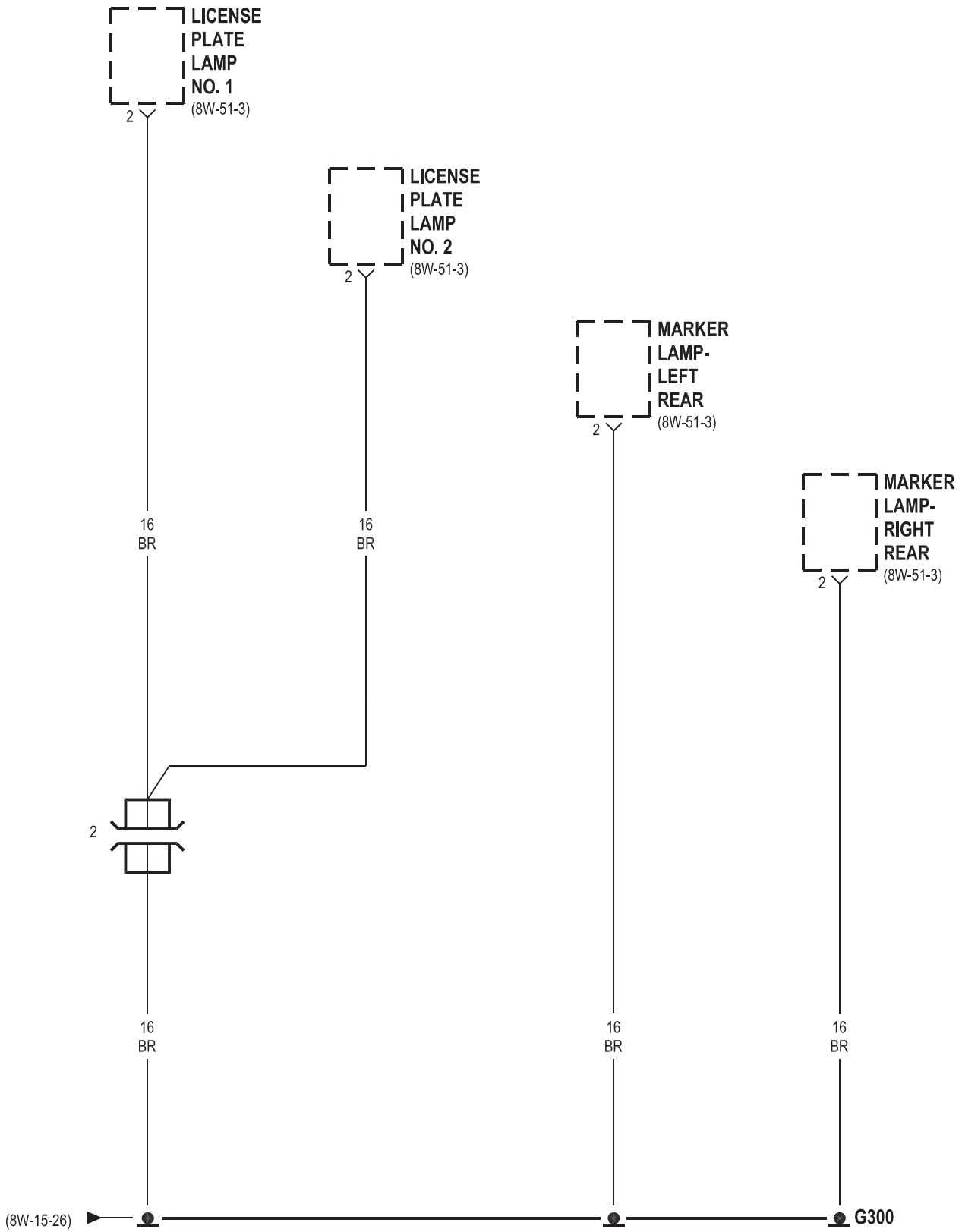


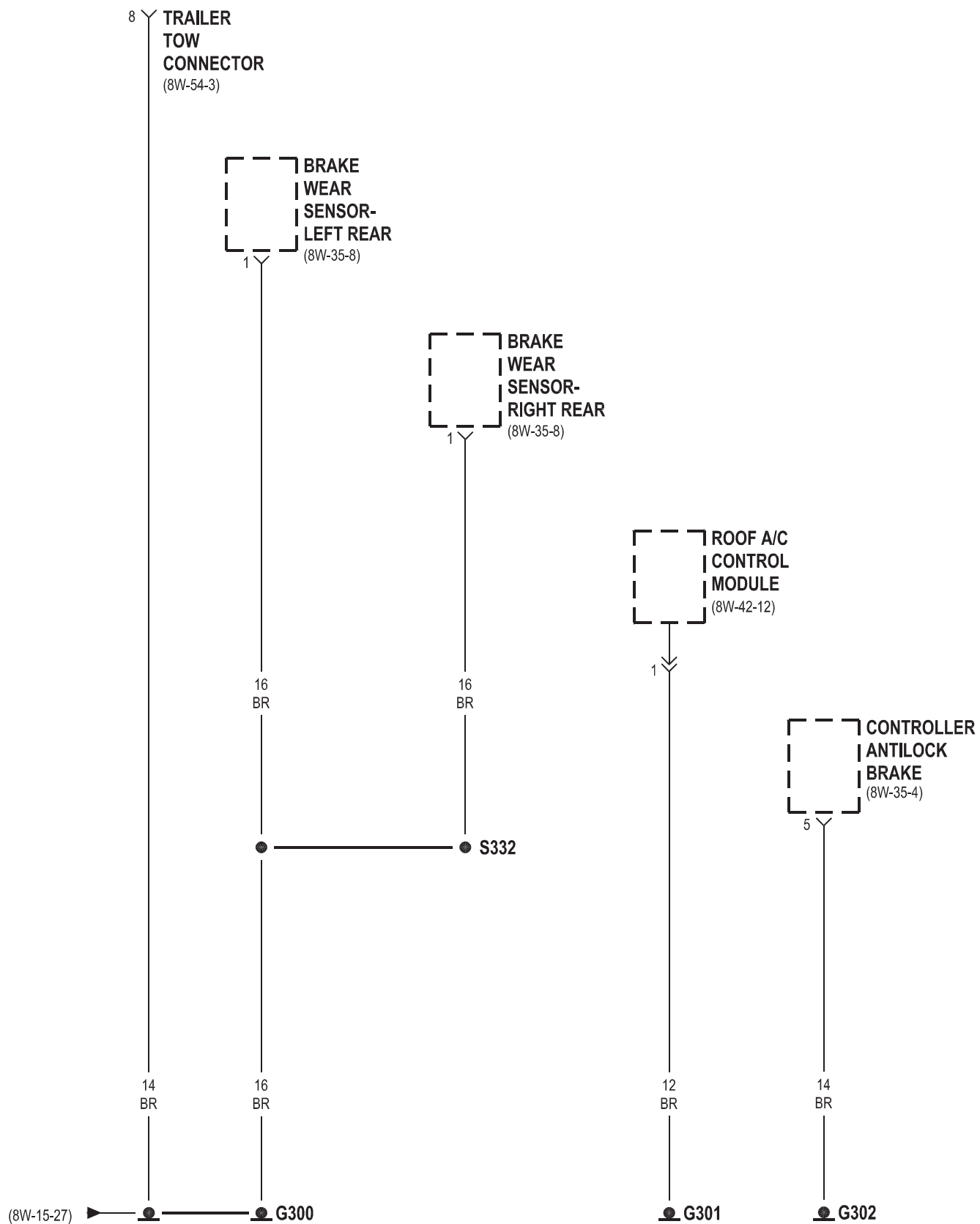


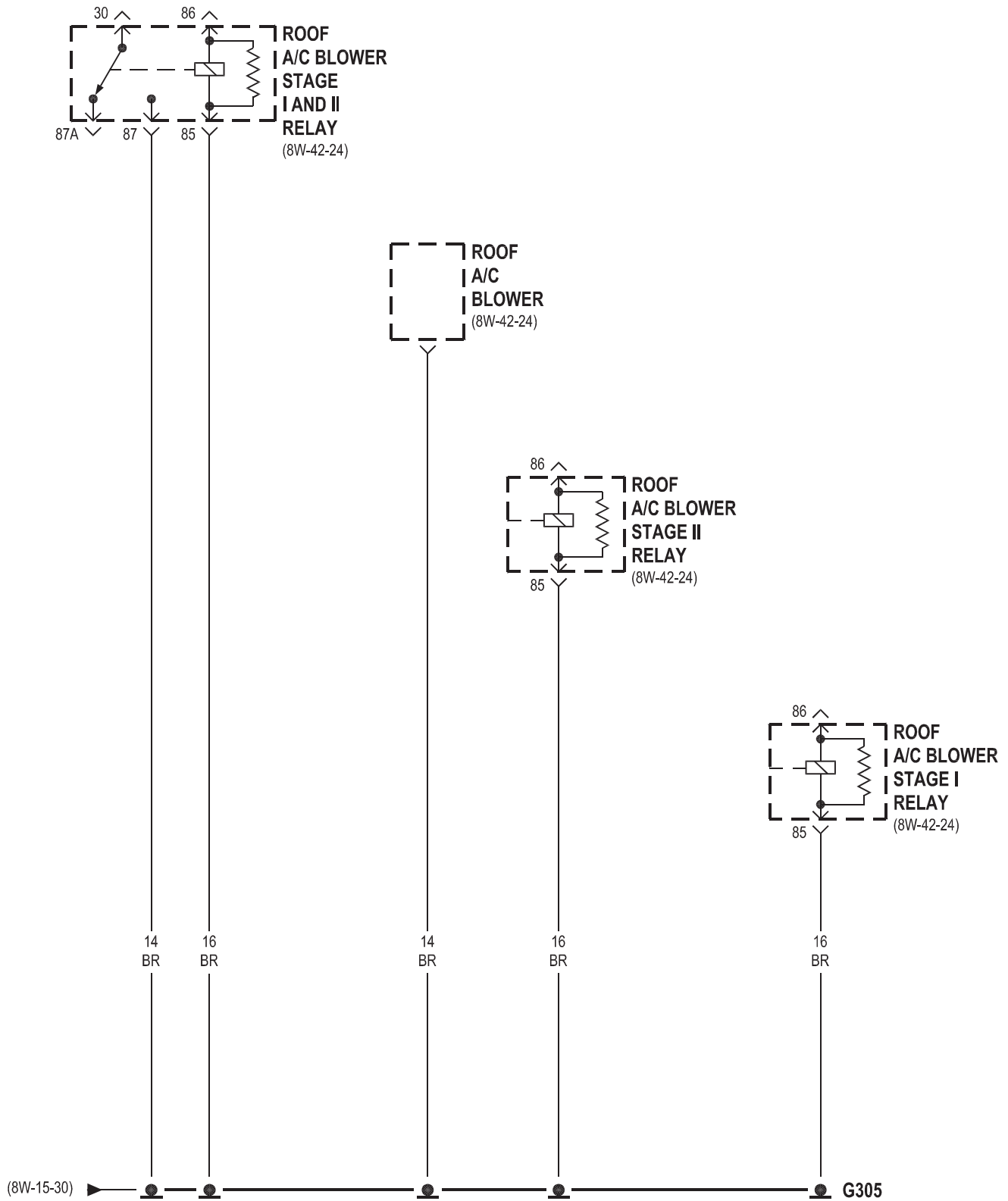


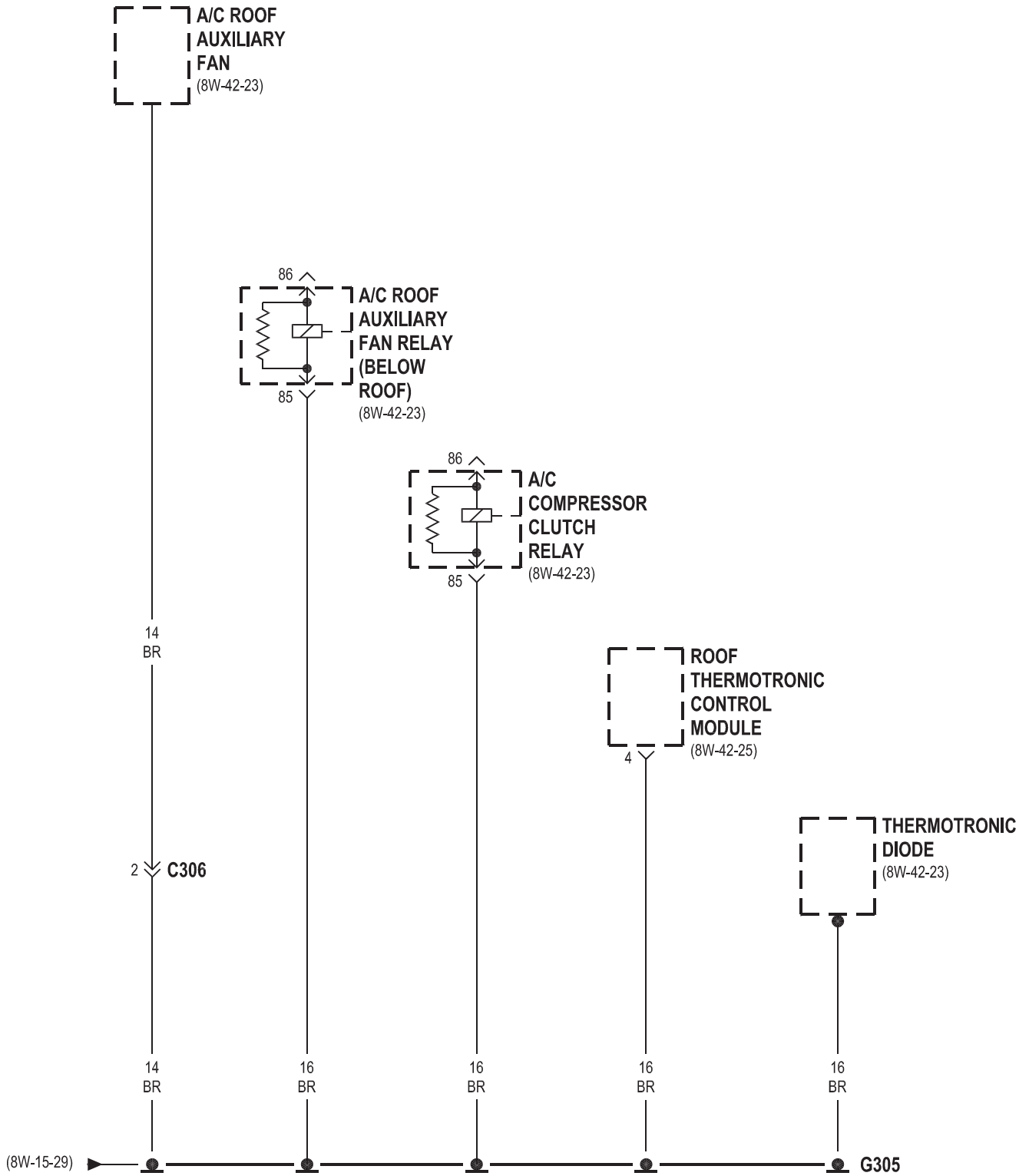


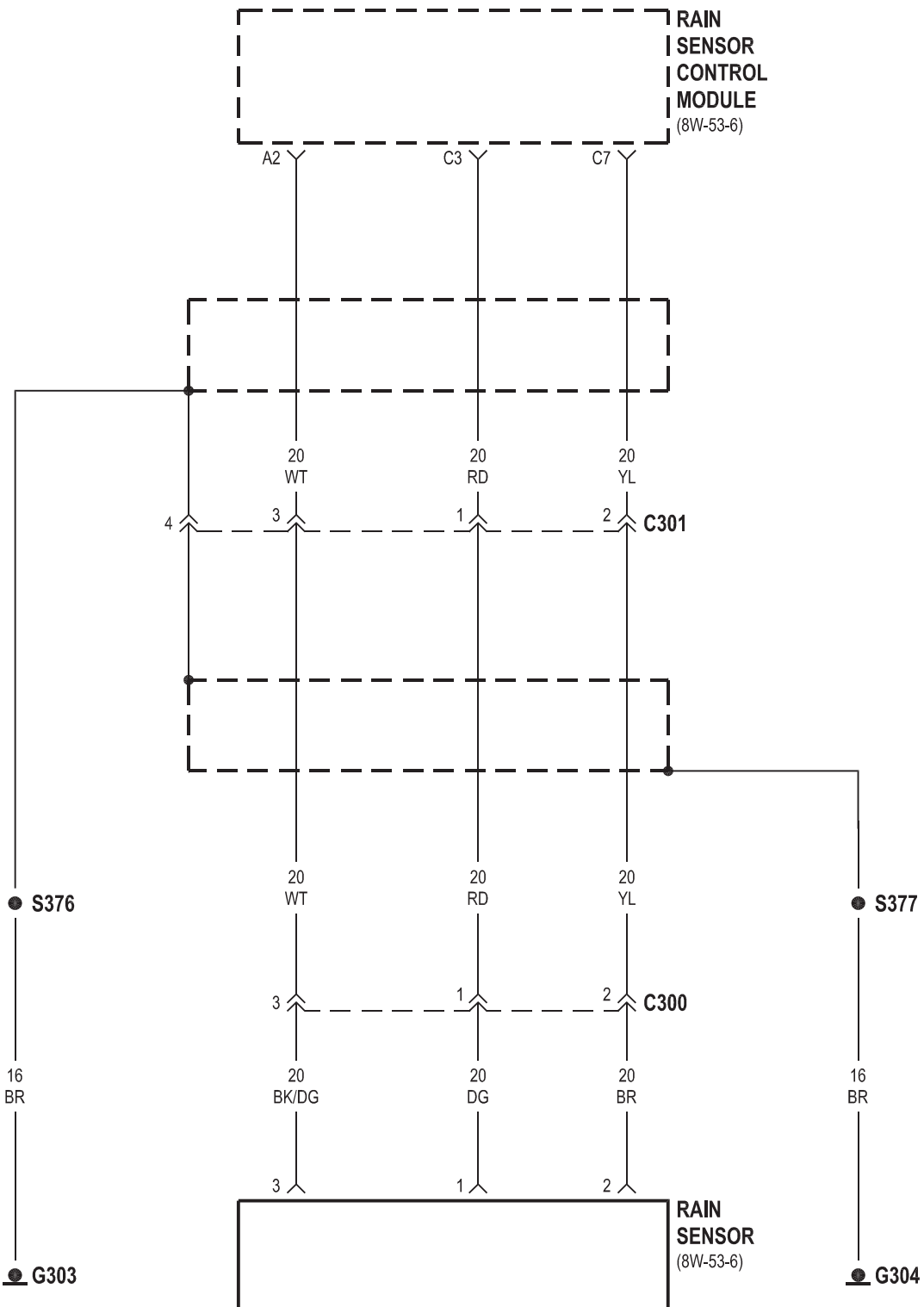








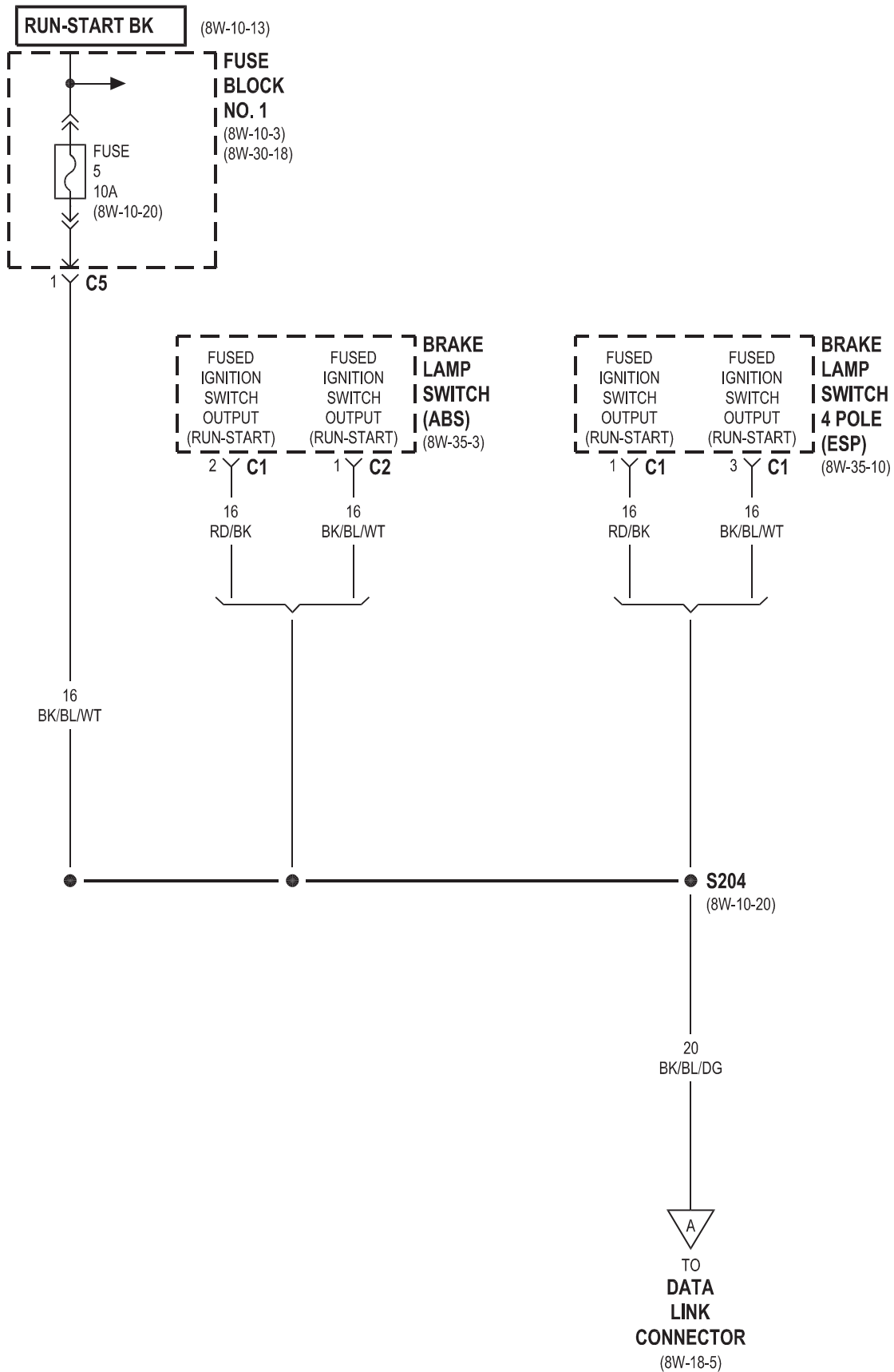


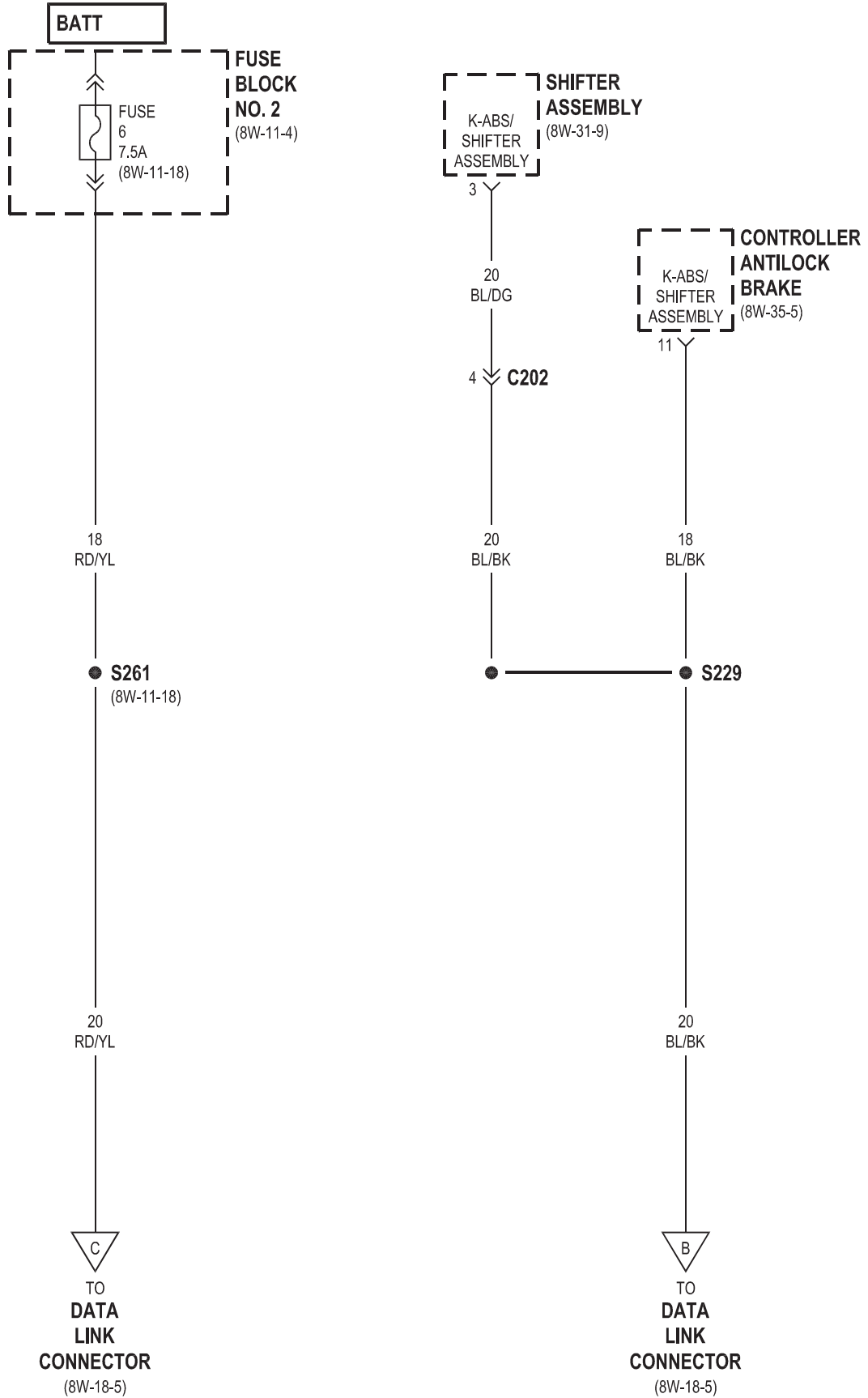


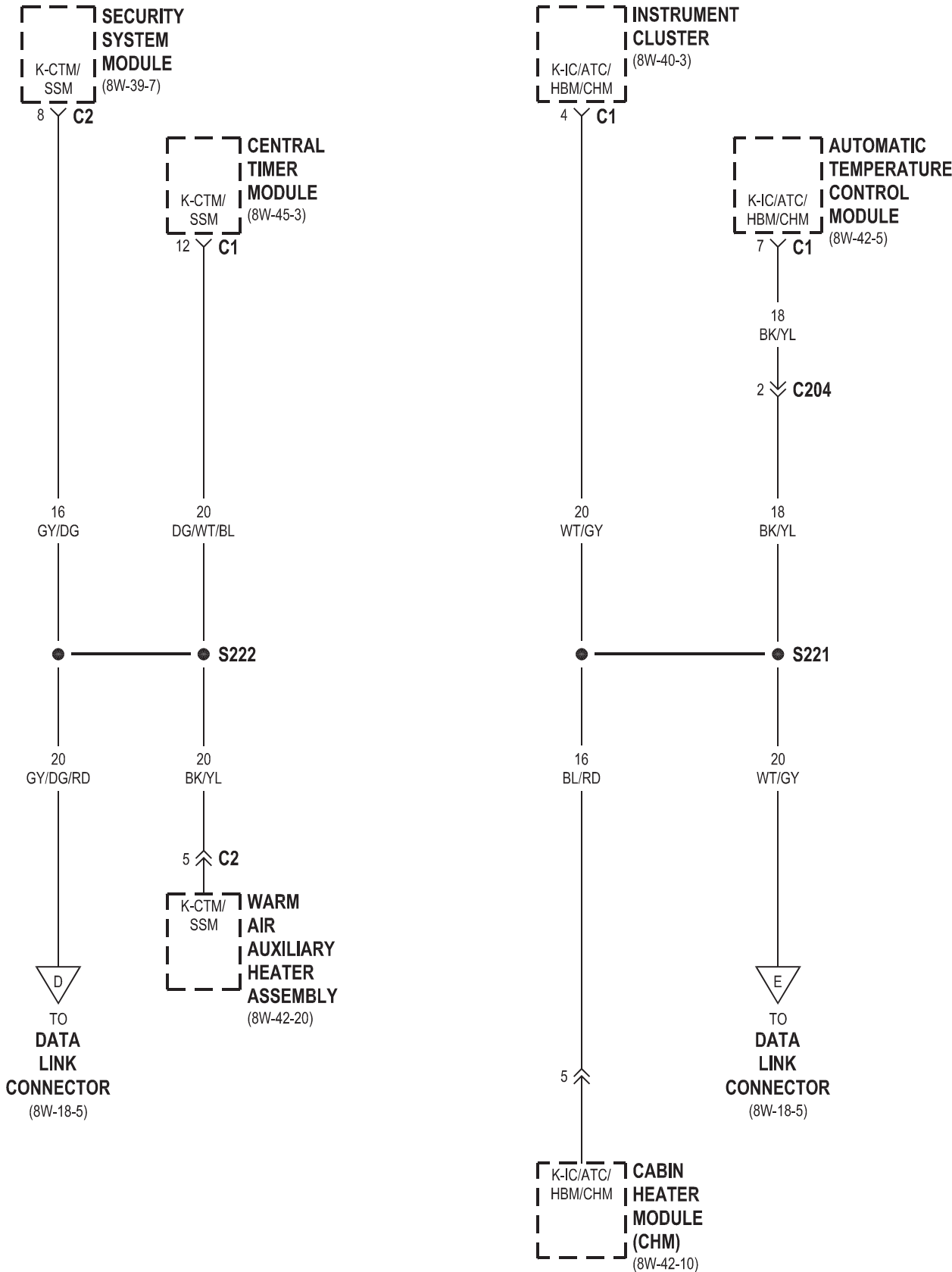
8W-18 BUS COMMUNICATIONS

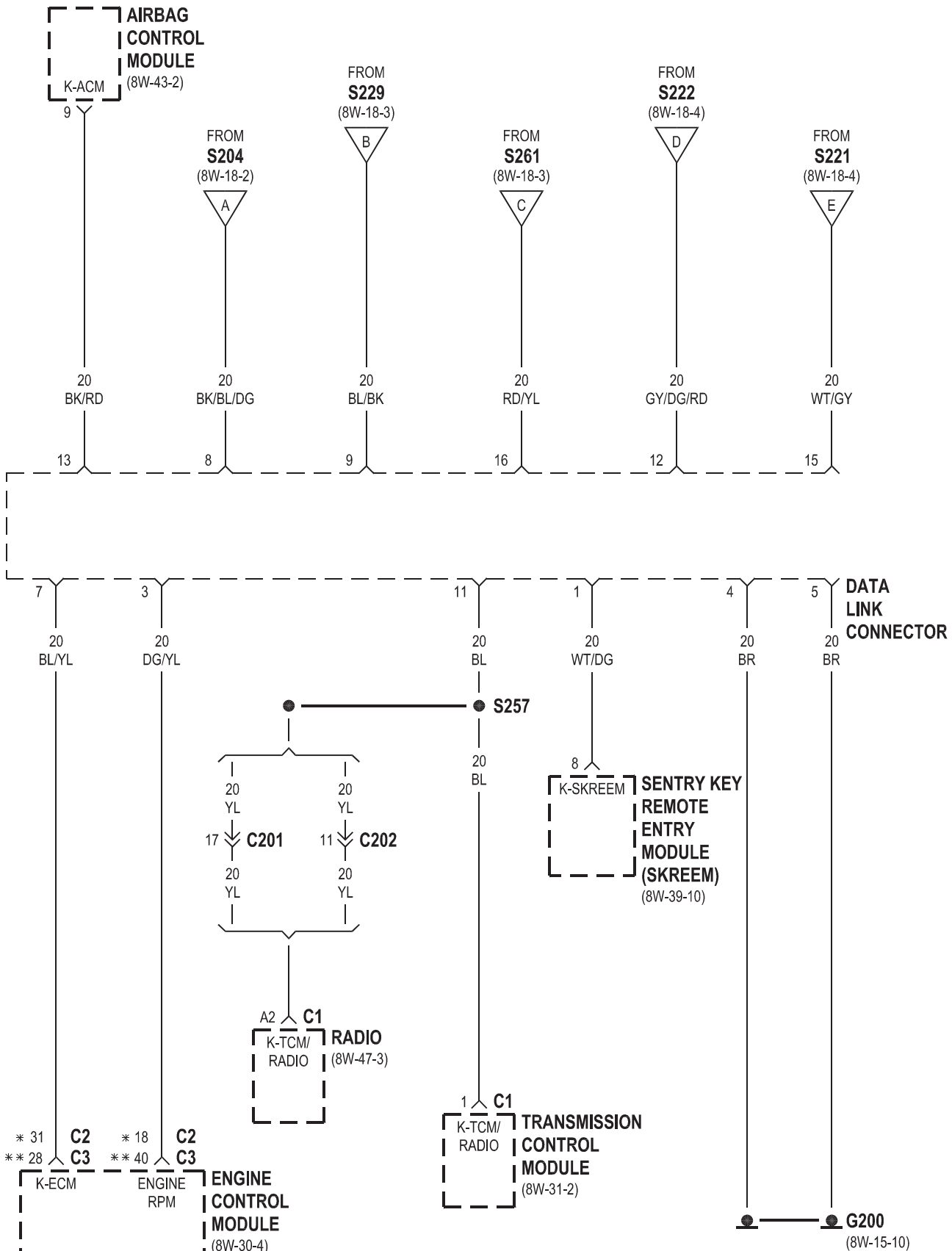
Component	Page
Airbag Control Module	8W-18-5
Automatic Temperature Control Module	8W-18-4, 6
Brake Lamp Switch	8W-18-2
Brake Lamp Switch 4 Pole	8W-18-2
Cabin Heater Module	8W-18-4
Central Timer Module	8W-18-4
Controller Antilock Brake	8W-18-3, 6
Data Link Connector	8W-18-2, 3, 4, 5
Engine Control Module	8W-18-5, 6
Fuse 5	8W-18-2
Fuse 6	8W-18-3

Component	Page
Fuse Block No. 1	8W-18-2
Fuse Block No. 2	8W-18-3
G200	8W-18-5
Instrument Cluster	8W-18-4, 6
Radio	8W-18-5
Security System Module	8W-18-4
Sentry Key Remote Entry Module	8W-18-5, 6
Shifter Assembly	8W-18-3, 6
Steering Angle Sensor	8W-18-6
Transmission Control Module	8W-18-5, 6
Warm Air Auxiliary Heater Assembly	8W-18-4

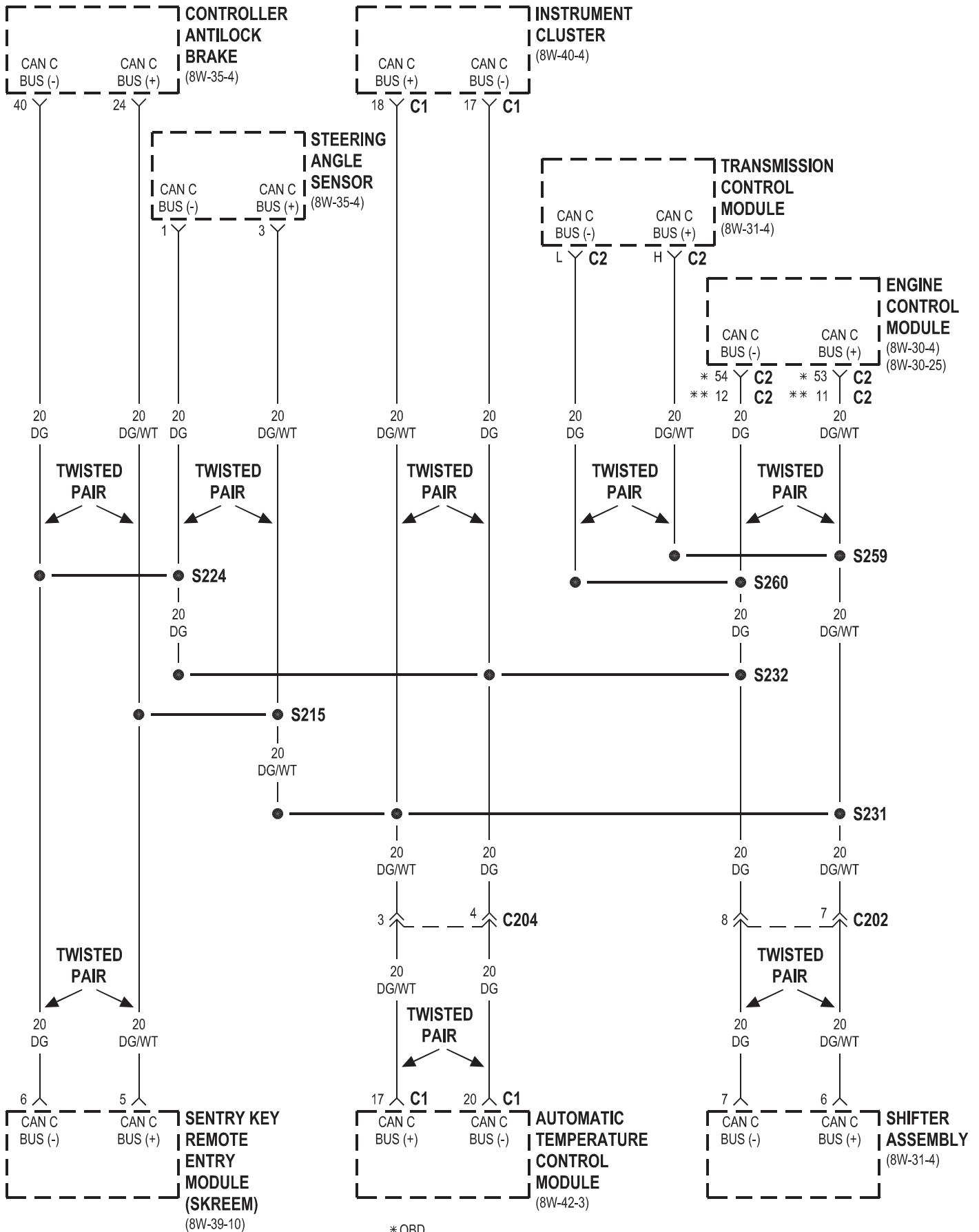








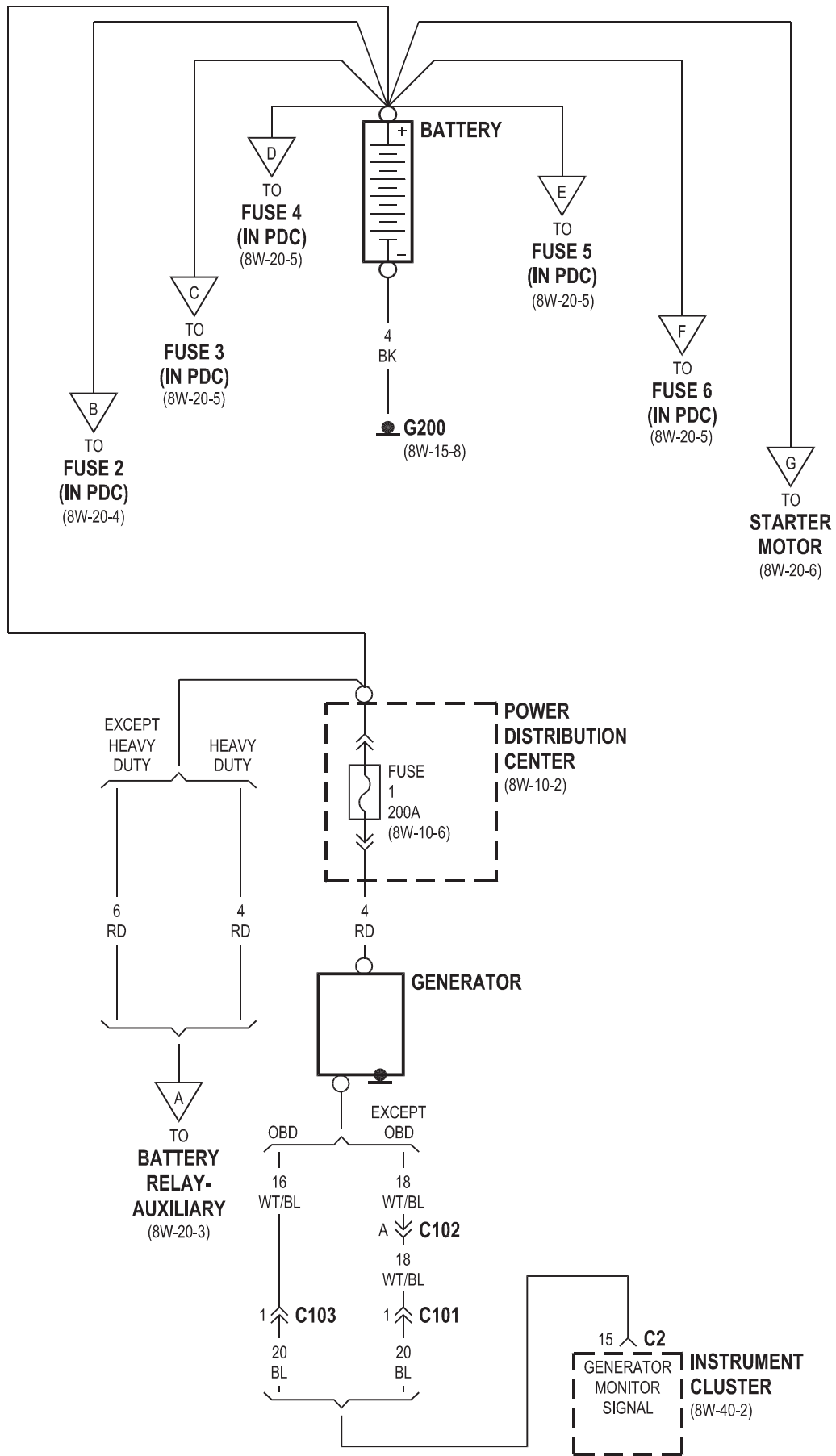
* OBD
** EXCEPT OBD

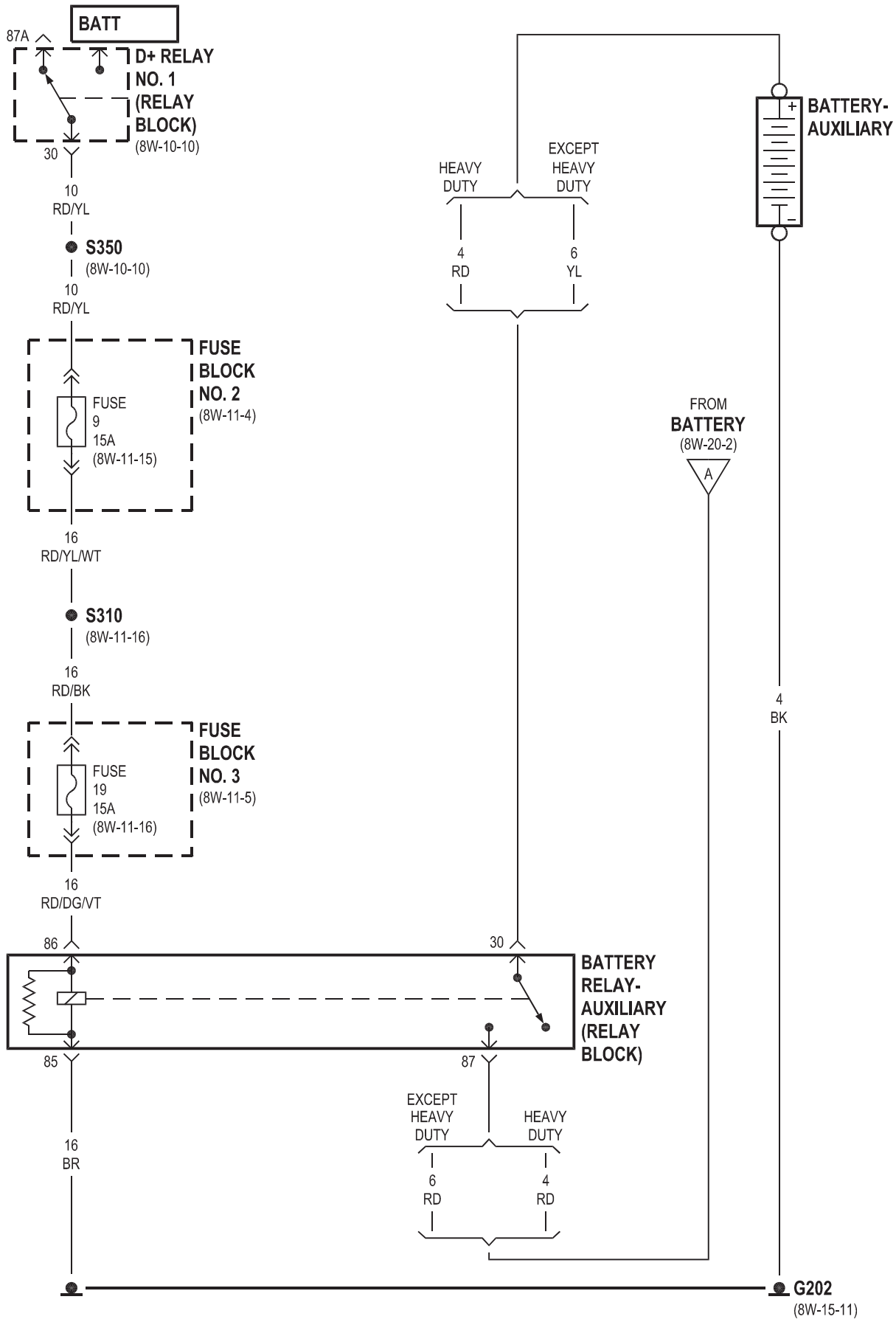


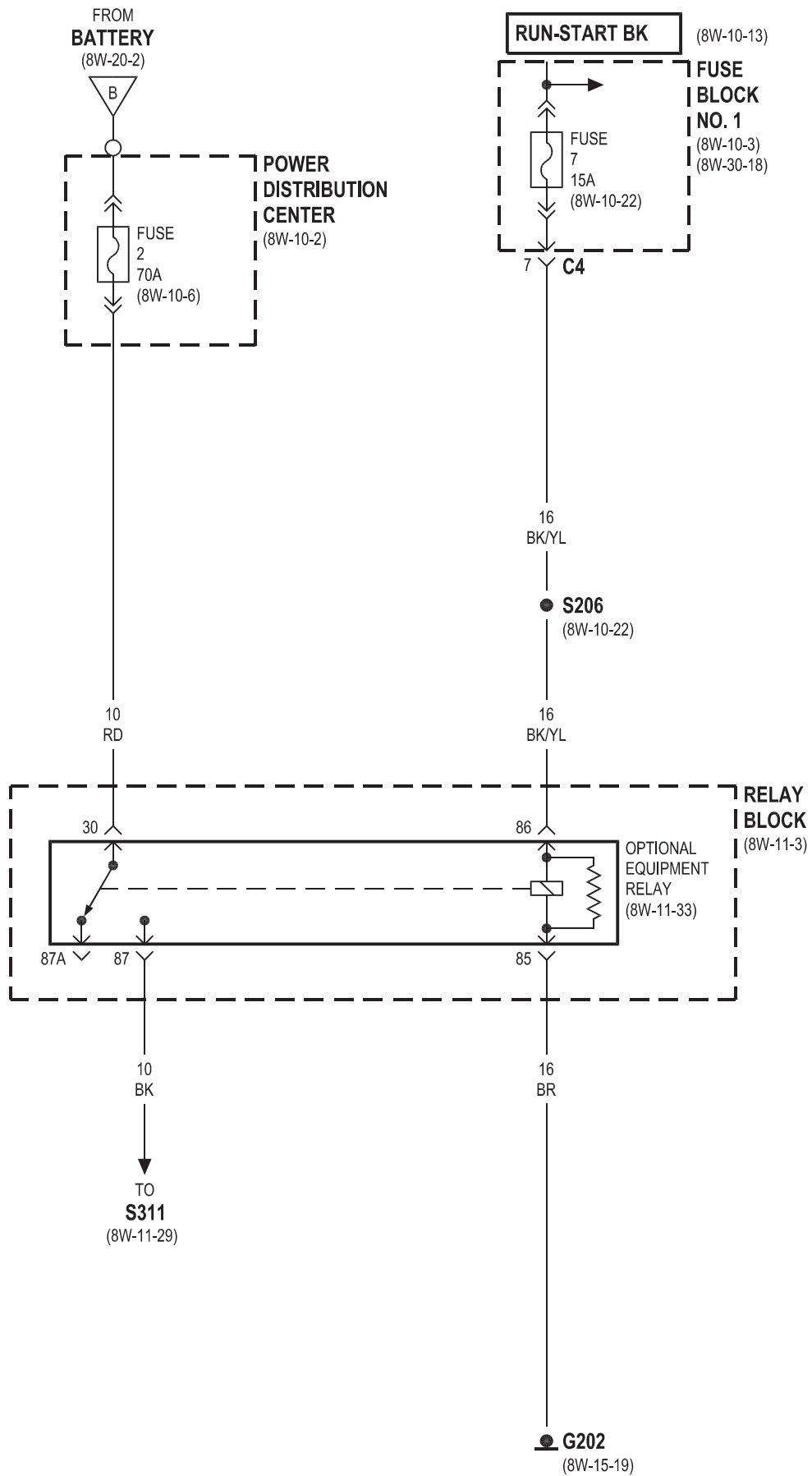
* OBD
 ** EXCEPT OBD

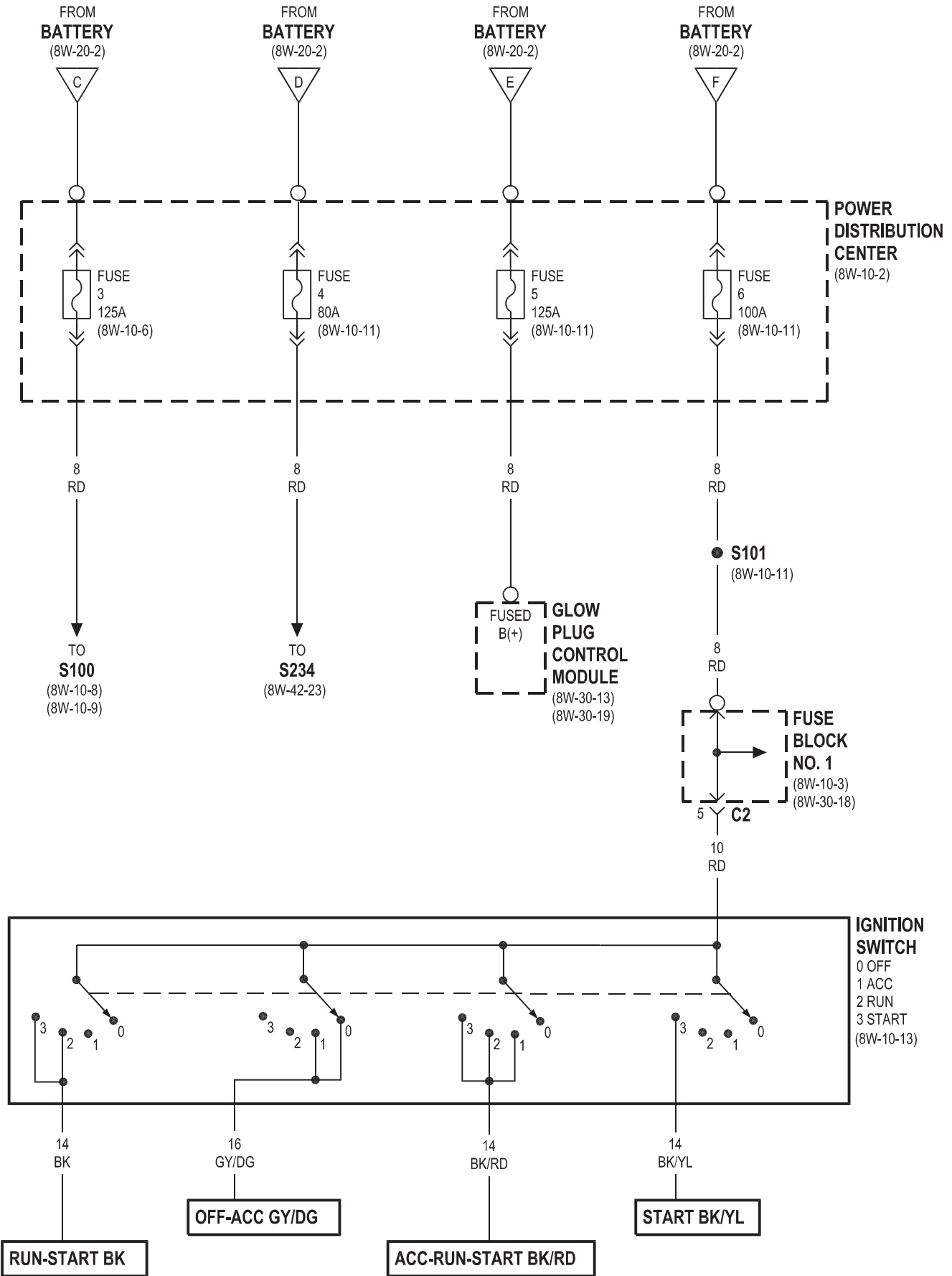
8W-20 CHARGING SYSTEM

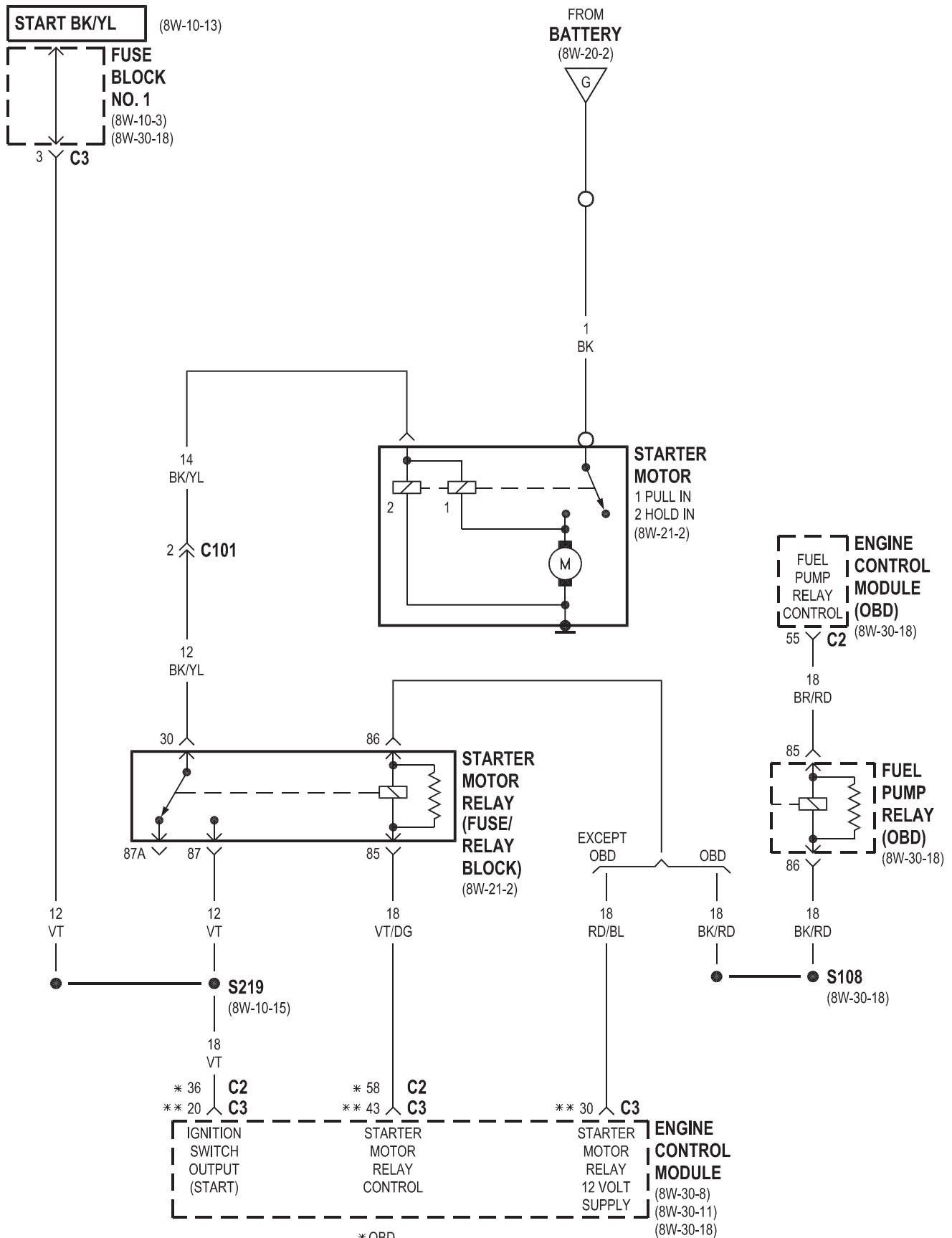
Component	Page	Component	Page
Battery	8W-20-2, 3, 4, 5, 6	Fuse Block No. 1	8W-20-4, 5, 6
Battery Relay-Auxiliary	8W-20-2, 3	Fuse Block No. 2	8W-20-3
Battery-Auxiliary	8W-20-3	Fuse Block No. 3	8W-20-3
D+ Relay No. 1	8W-20-3	G200	8W-20-2
Engine Control Module	8W-20-6	G202	8W-20-3, 4
Fuel Pump Relay	8W-20-6	Generator	8W-20-2
Fuse 1	8W-20-2	Glow Plug Control Module	8W-20-5
Fuse 2	8W-20-2, 4	Ignition Switch	8W-20-5
Fuse 3	8W-20-2, 5	Instrument Cluster	8W-20-2
Fuse 4	8W-20-2, 5	Optional Equipment Relay	8W-20-4
Fuse 5	8W-20-2, 5	Power Distribution Center	8W-20-2, 4, 5
Fuse 6	8W-20-2, 5	Relay Block	8W-20-4
Fuse 7	8W-20-4	Starter Motor	8W-20-2, 6
Fuse 9	8W-20-3	Starter Motor Relay	8W-20-6
Fuse 19	8W-20-3		







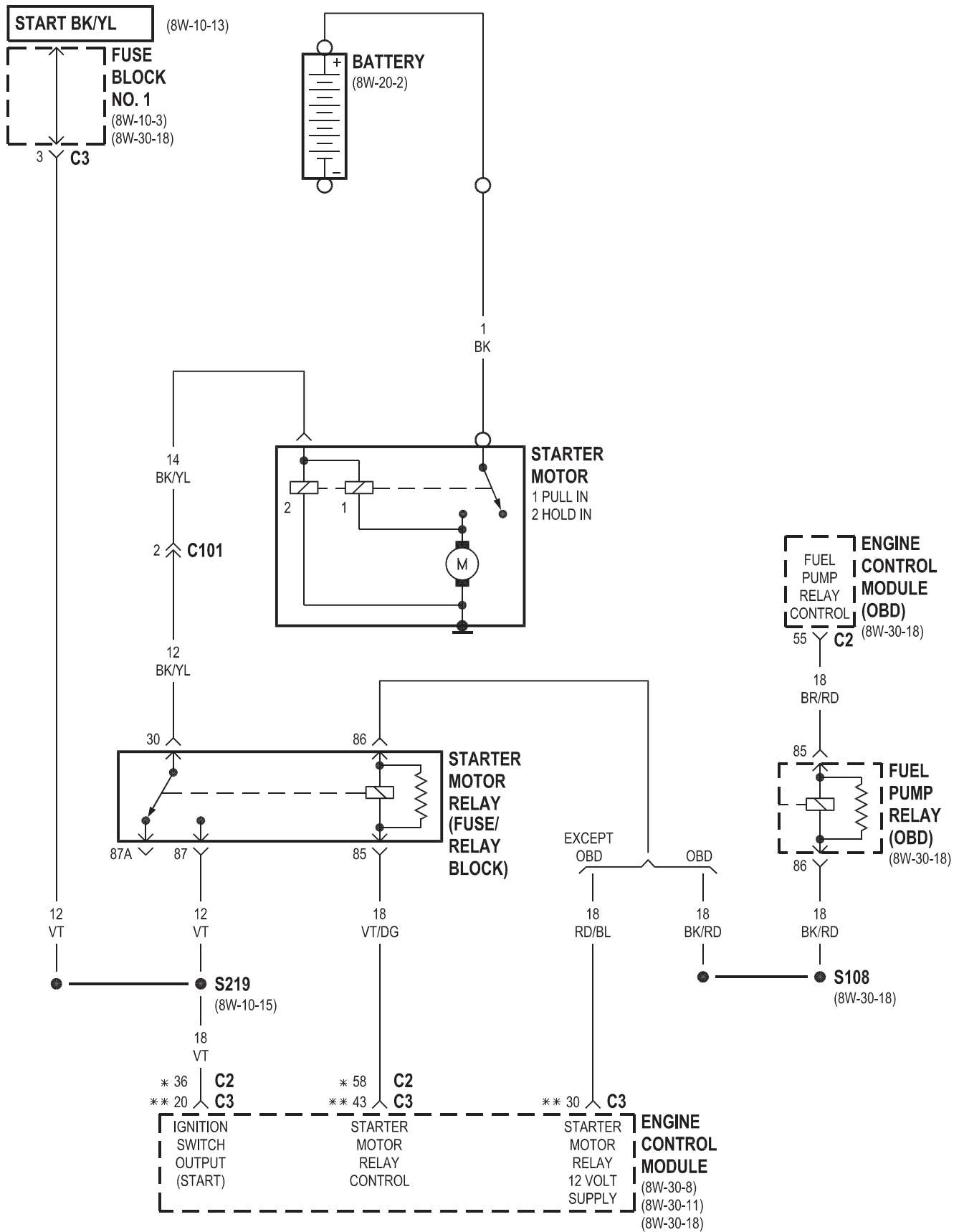




* OBD
** EXCEPT OBD

8W-21 STARTING SYSTEM

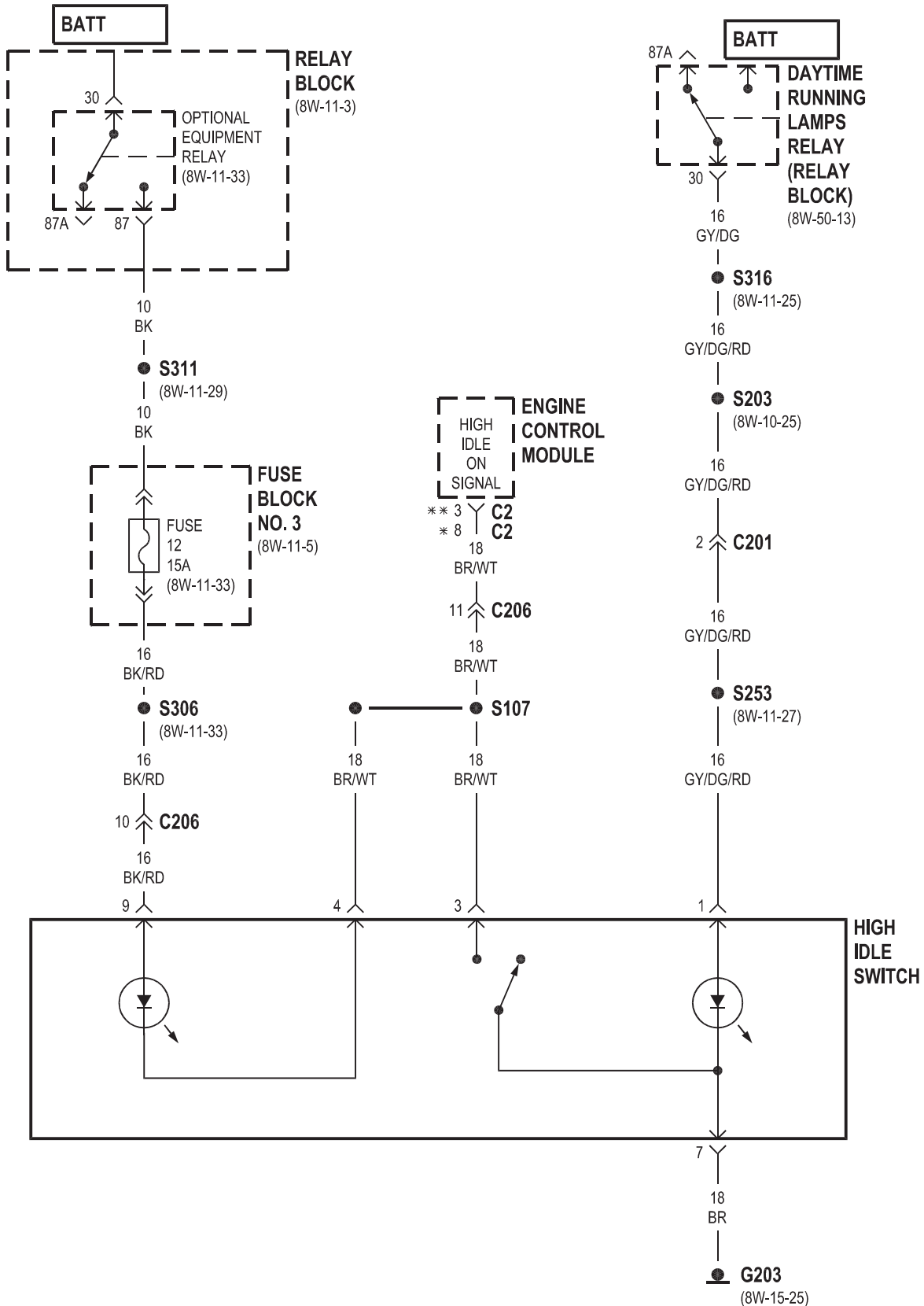
Component	Page	Component	Page
Battery	8W-21-2	Fuse Block No. 1	8W-21-2
Engine Control Module	8W-21-2	Starter Motor	8W-21-2
Fuel Pump Relay	8W-21-2	Starter Motor Relay	8W-21-2



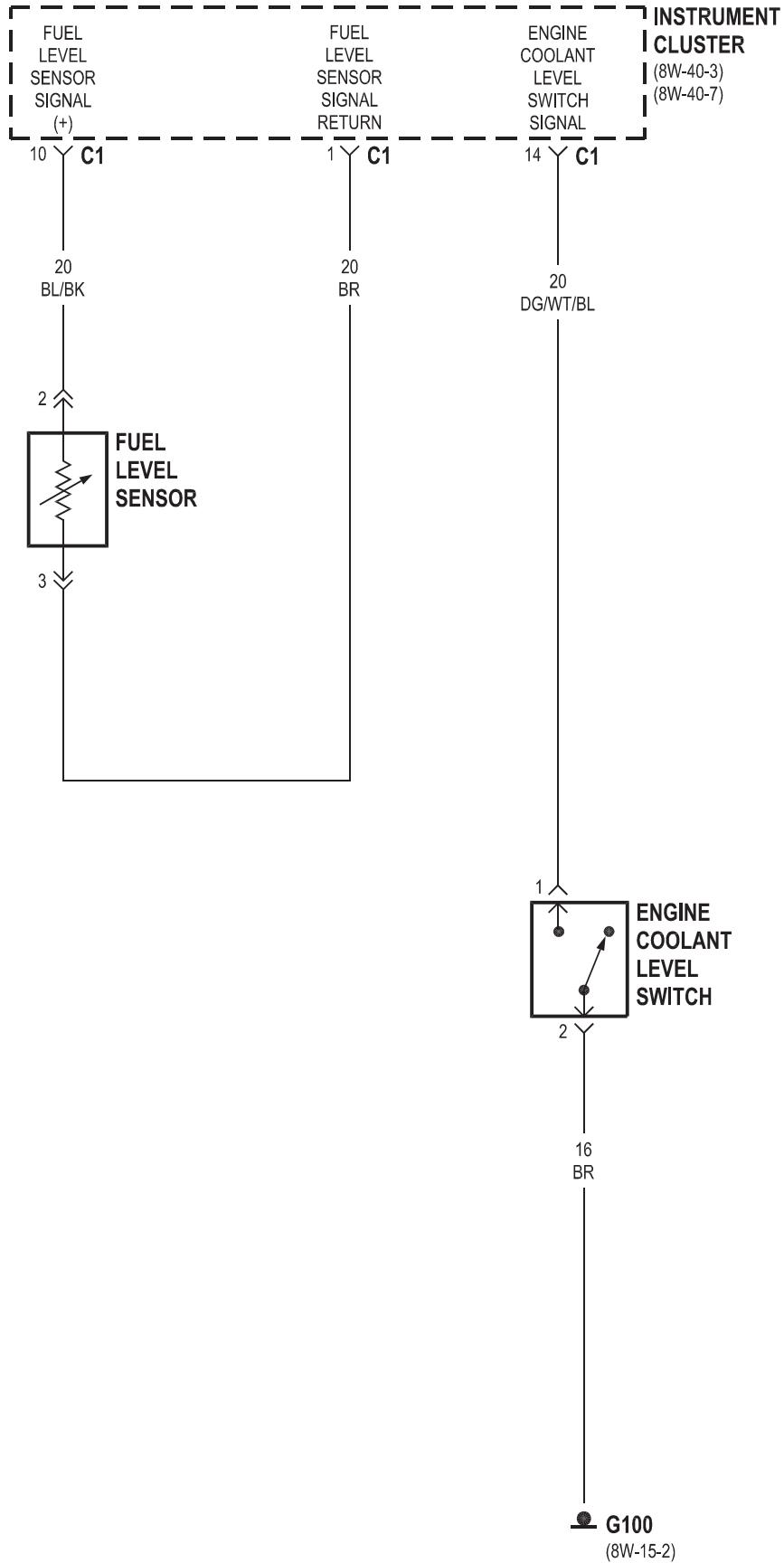
* OBD
** EXCEPT OBD

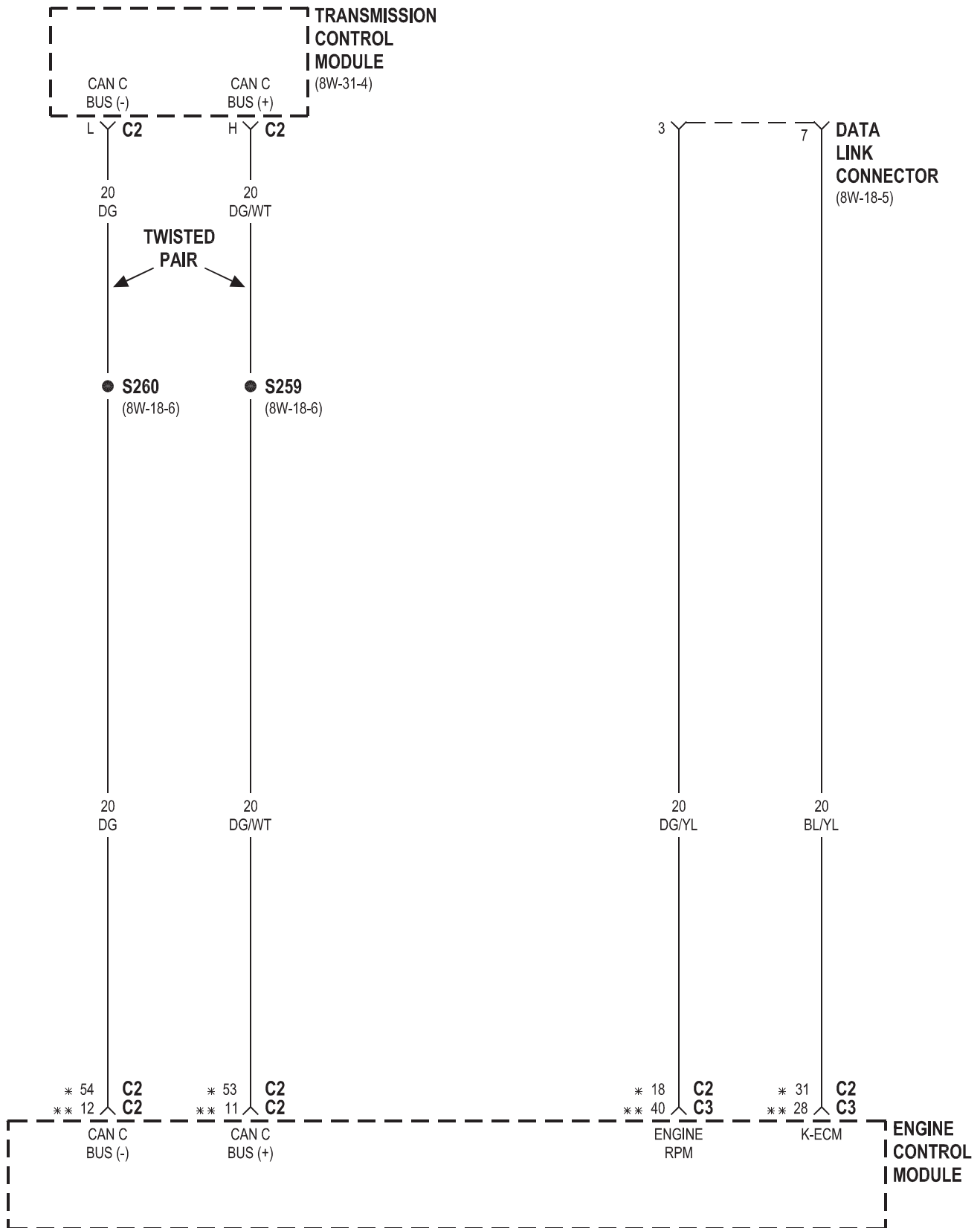
8W-30 FUEL/IGNITION SYSTEM

Component	Page	Component	Page
Accelerator Pedal Position Sensor	8W-30-10, 21	Fuse 16	8W-30-8
Airbag Control Module	8W-30-9	Fuse 17	8W-30-17, 24
Boost Pressure Sensor	8W-30-9, 25	Fuse 18	8W-30-9
Boost Pressure Servomotor	8W-30-24	Fuse 19	8W-30-18
Boost Pressure Solenoid	8W-30-14	Fuse Block No. 1	8W-30-8, 9, 17, 18, 20, 24
Camshaft Position Sensor	8W-30-6	Fuse Block No. 3	8W-30-2
Central Timer Module	8W-30-9	G100	8W-30-3, 13, 19
Crankcase Heater	8W-30-17, 24	G103	8W-30-17
Crankshaft Position Sensor	8W-30-7	G200	8W-30-8, 12
Data Link Connector	8W-30-4	G202	8W-30-18
Daytime Running Lamps Relay	8W-30-2	G203	8W-30-2
EGR Valve	8W-30-17, 24	Glow Plug Control Module	8W-30-13, 19
Engine Control Module	8W-30-2, 4, 5, 6, 7, 8, 9, 10, 11, 12, 13, 14, 15, 16, 17, 18, 19, 20, 21, 22, 23, 24, 25	Glow Plug No. 1	8W-30-13, 19
Engine Control Relay	8W-30-8, 17, 24	Glow Plug No. 2	8W-30-13, 19
Engine Coolant Level Switch	8W-30-3	Glow Plug No. 3	8W-30-13, 19
Engine Coolant Temperature Sensor	8W-30-6	Glow Plug No. 4	8W-30-13, 19
Engine Oil Sensor	8W-30-17	Glow Plug No. 5	8W-30-13, 19
Fuel Injector No. 1	8W-30-15, 22	High Idle Switch	8W-30-2
Fuel Injector No. 2	8W-30-16, 23	Instrument Cluster	8W-30-3
Fuel Injector No. 3	8W-30-15, 22	Intake Air Pressure Sensor	8W-30-20
Fuel Injector No. 4	8W-30-15, 22	Intake Air Temperature Sensor	8W-30-10, 21
Fuel Injector No. 5	8W-30-16, 23	Kickdown Switch	8W-30-12
Fuel Level Sensor	8W-30-3	Low Fuel Pressure Sensor	8W-30-11
Fuel Pressure Sensor	8W-30-5	Mass Air Flow Sensor	8W-30-14, 20
Fuel Pressure Solenoid	8W-30-7	Optional Equipment Relay	8W-30-2
Fuel Pump	8W-30-18	Oxygen Sensor	8W-30-24
Fuel Pump Relay	8W-30-18	Power Distribution Center	8W-30-13, 19
Fuel Quantity Control Valve	8W-30-7	Relay Block	8W-30-2
Fuel Shutdown Solenoid	8W-30-7	Speed Control Switch	8W-30-12
Fuel Temperature Sensor	8W-30-5	Starter Motor Relay	8W-30-11, 18
Fuse 5	8W-30-13, 19	Transmission Control Module	8W-30-4
Fuse 7	8W-30-20	Water In Fuel Sensor	8W-30-11, 25
Fuse 12	8W-30-2	Wiper/Turn Signal/Engine Start Control Module	8W-30-8

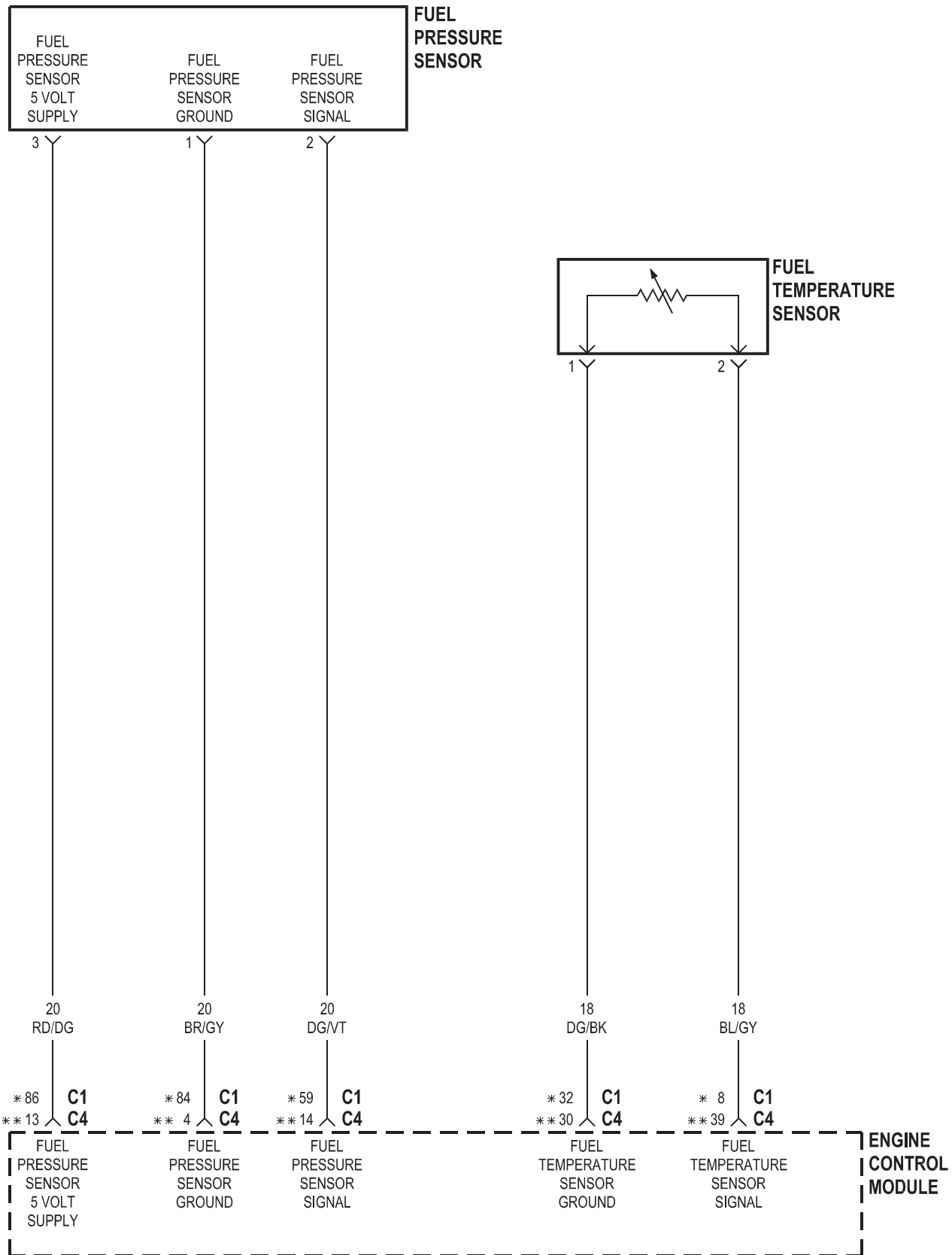


* OBD
 ** EXCEPT OBD

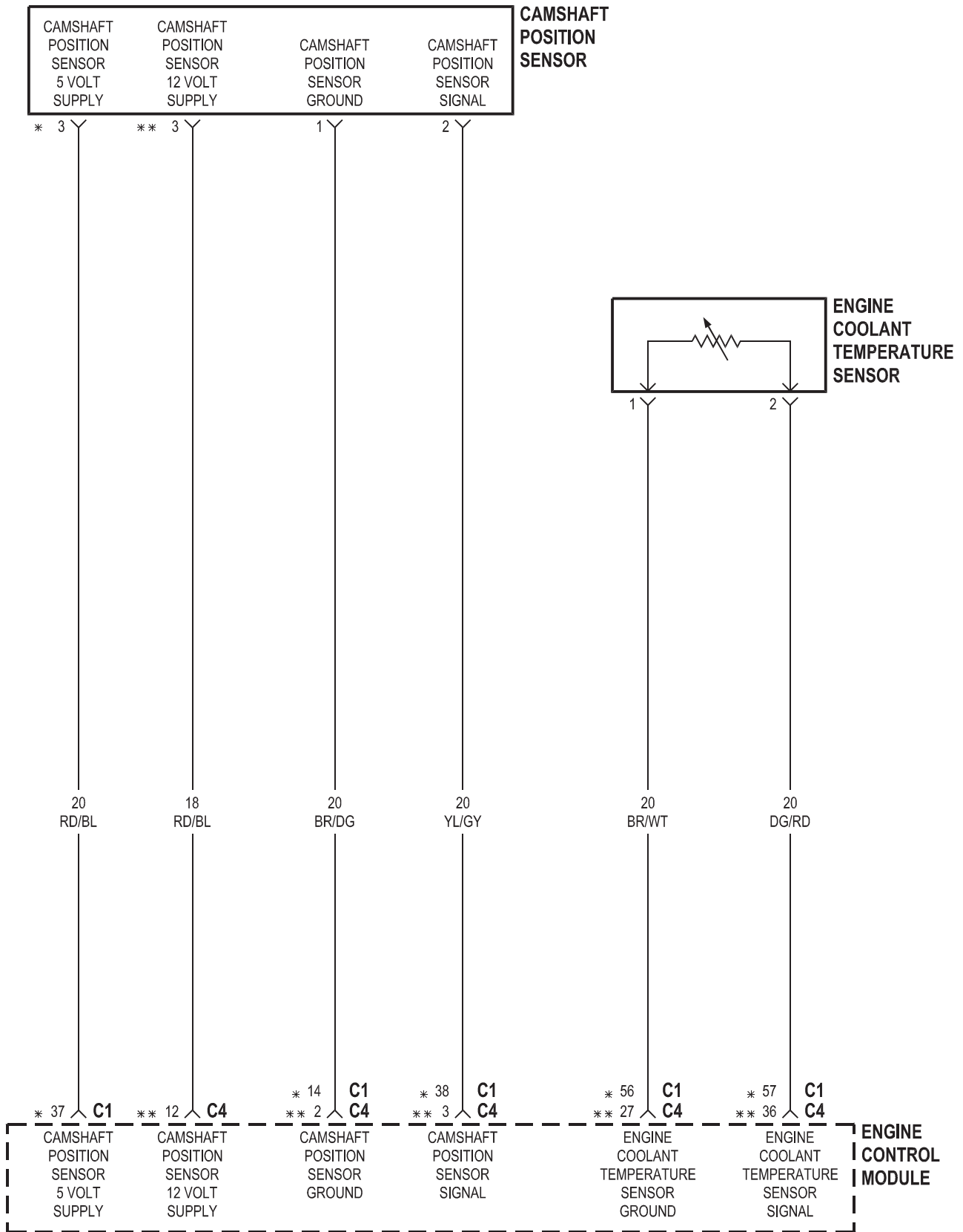




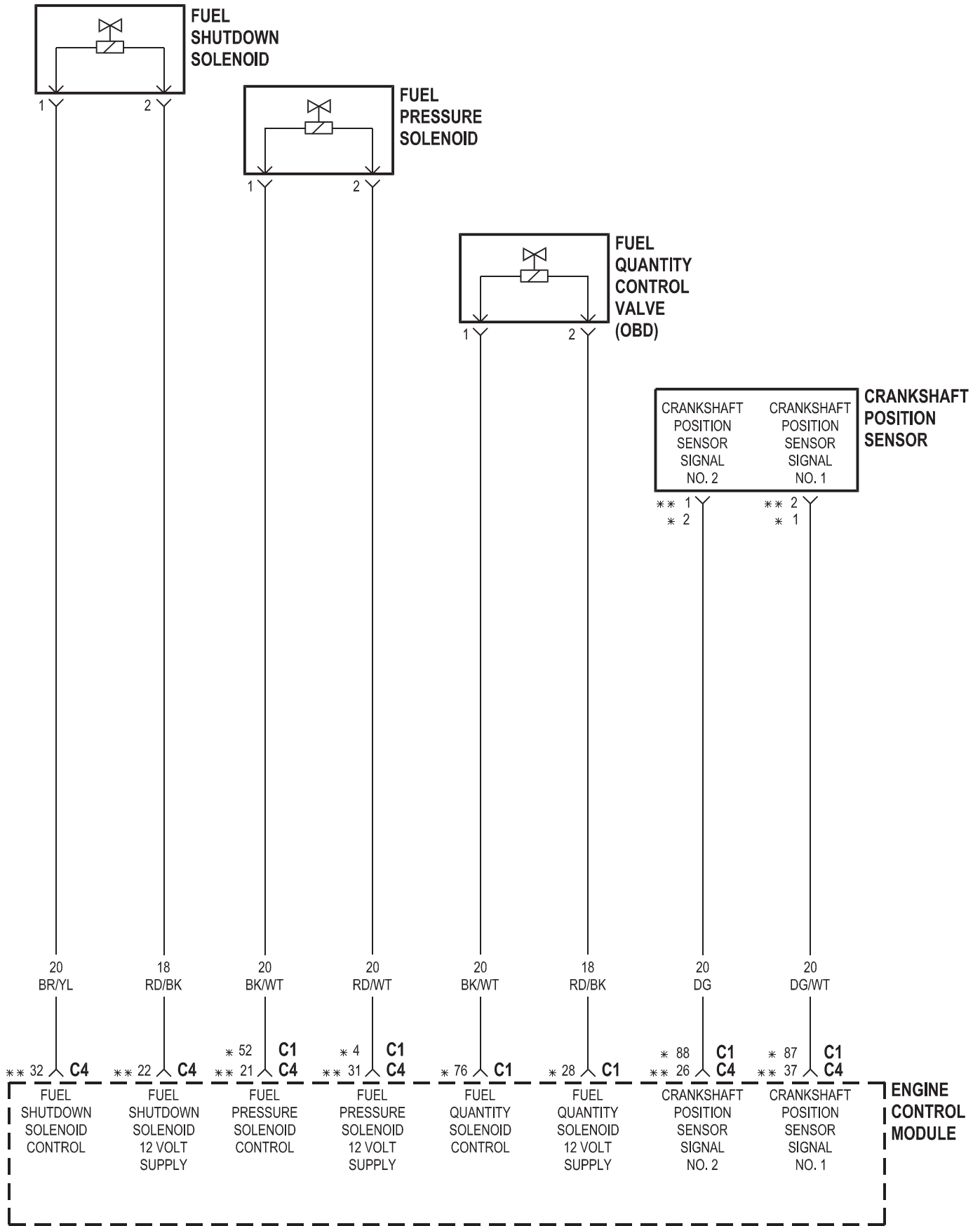
* OBD
 ** EXCEPT OBD



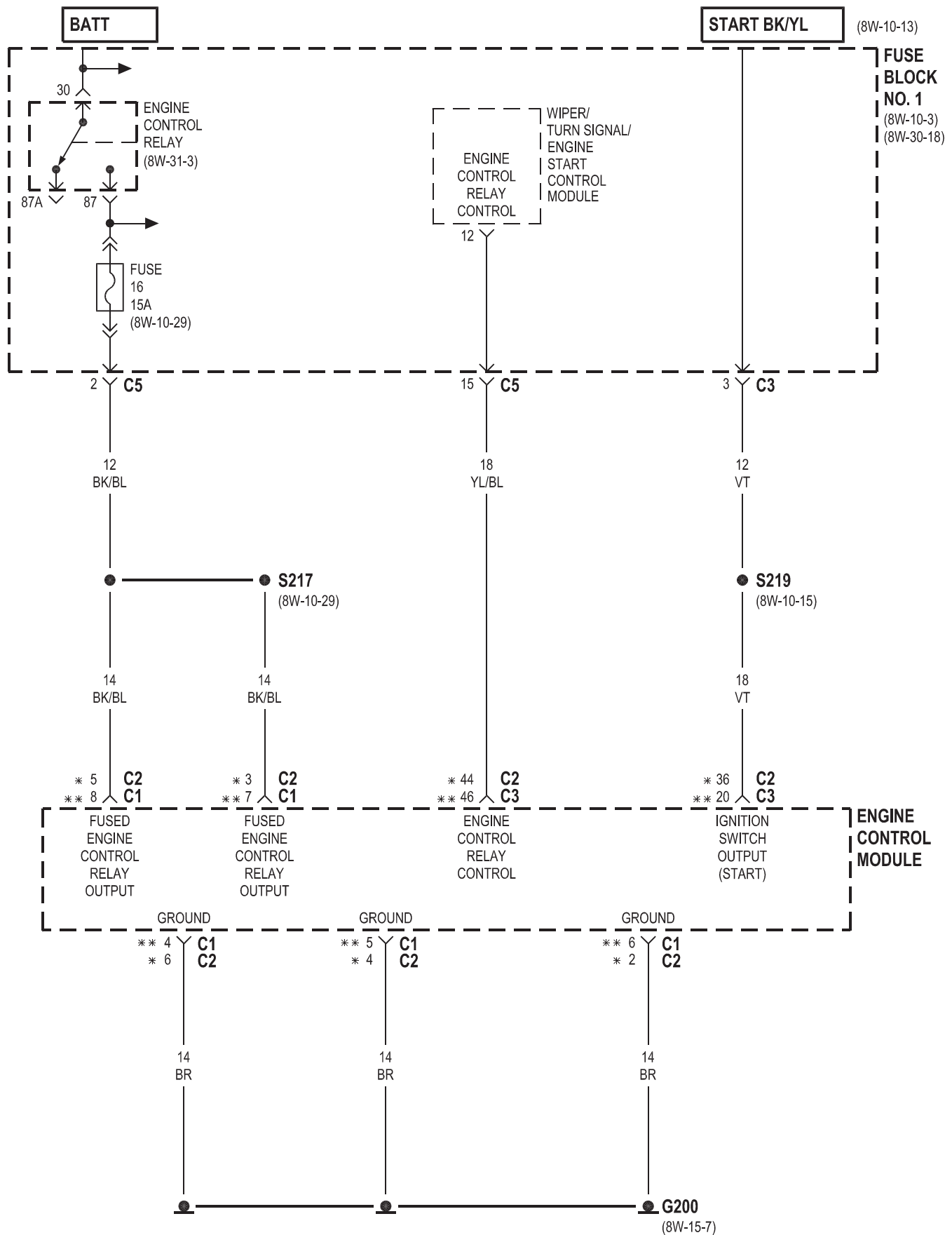
* OBD
** EXCEPT OBD



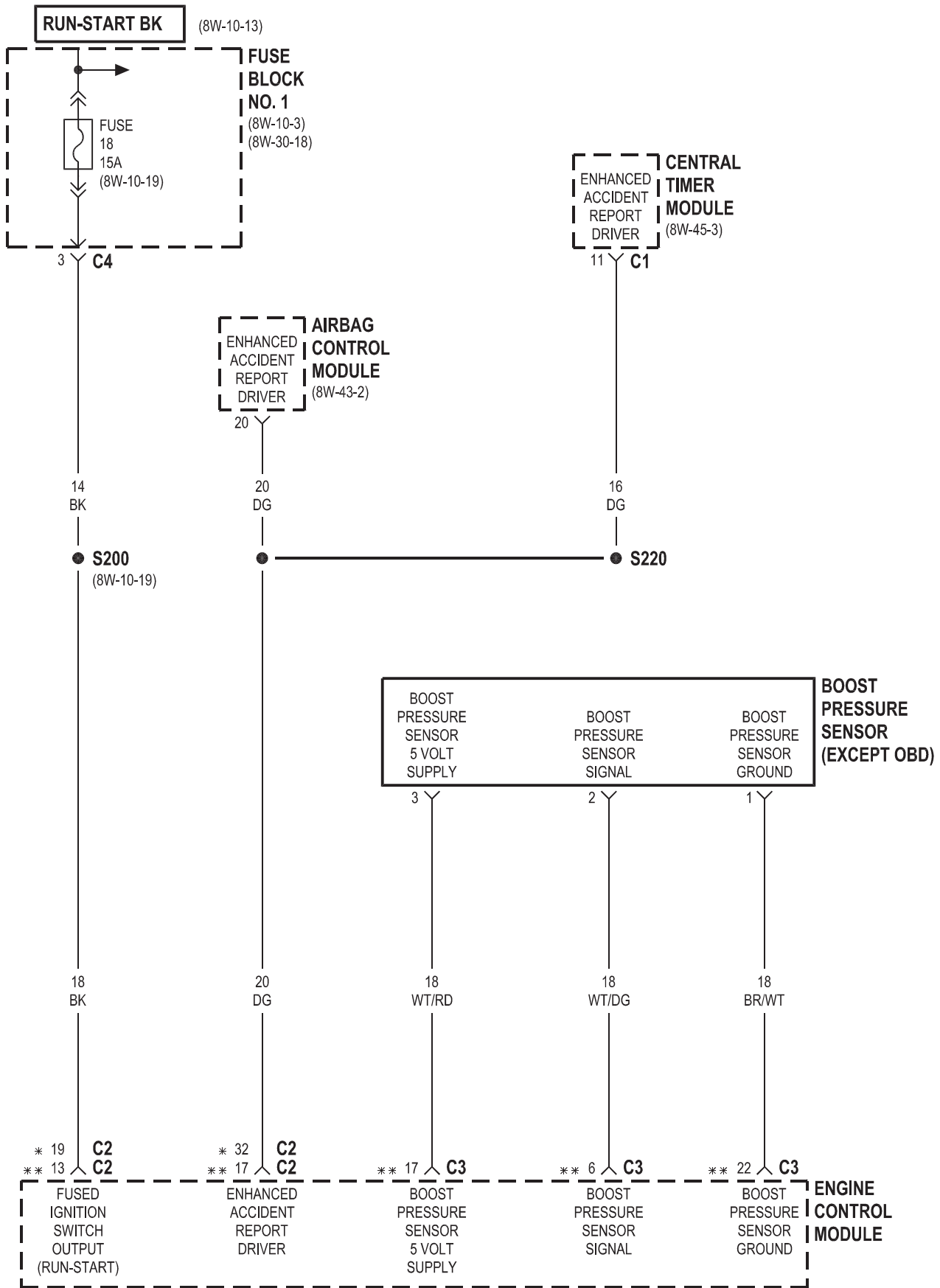
* OBD
** EXCEPT OBD



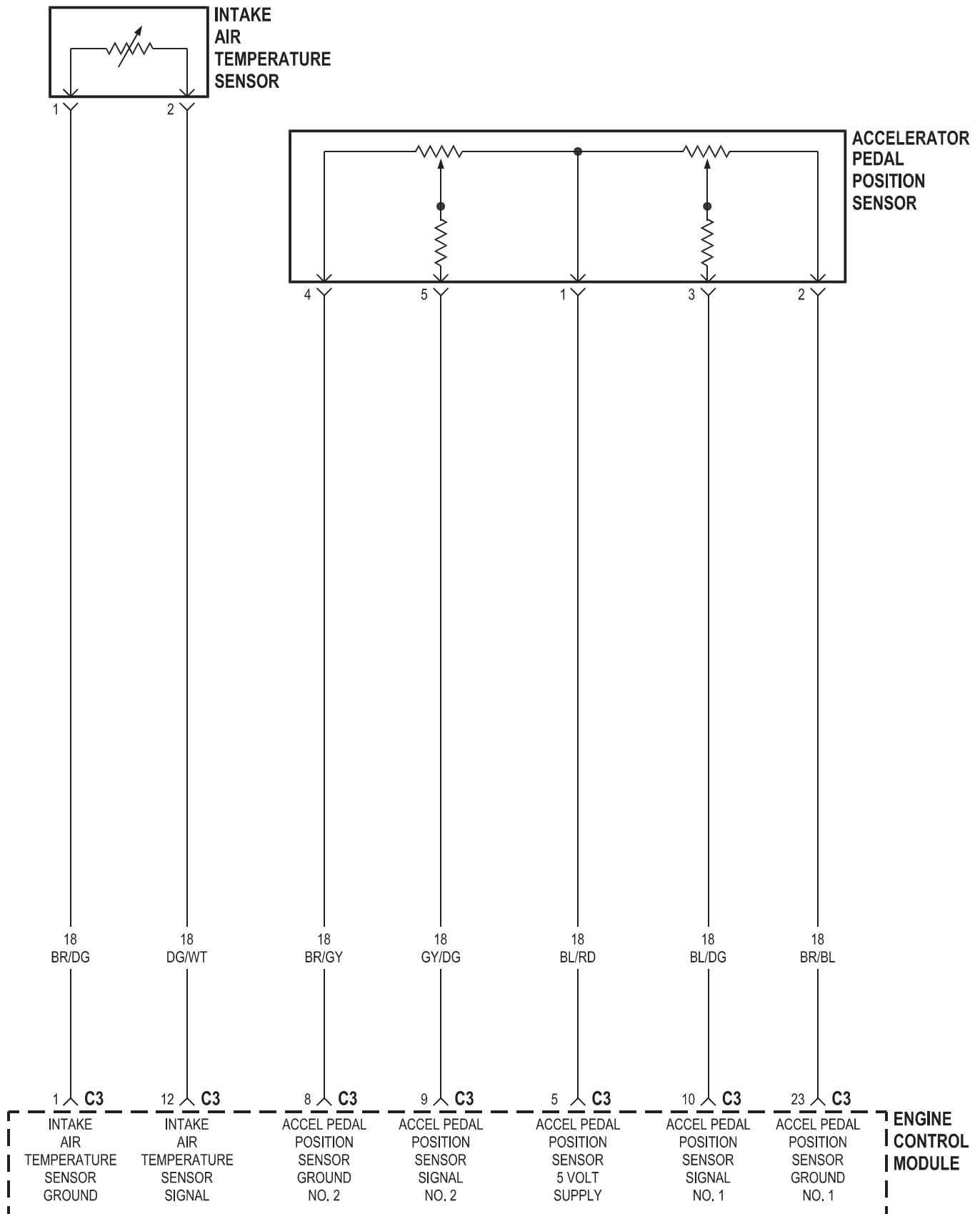
* OBD
** EXCEPT OBD

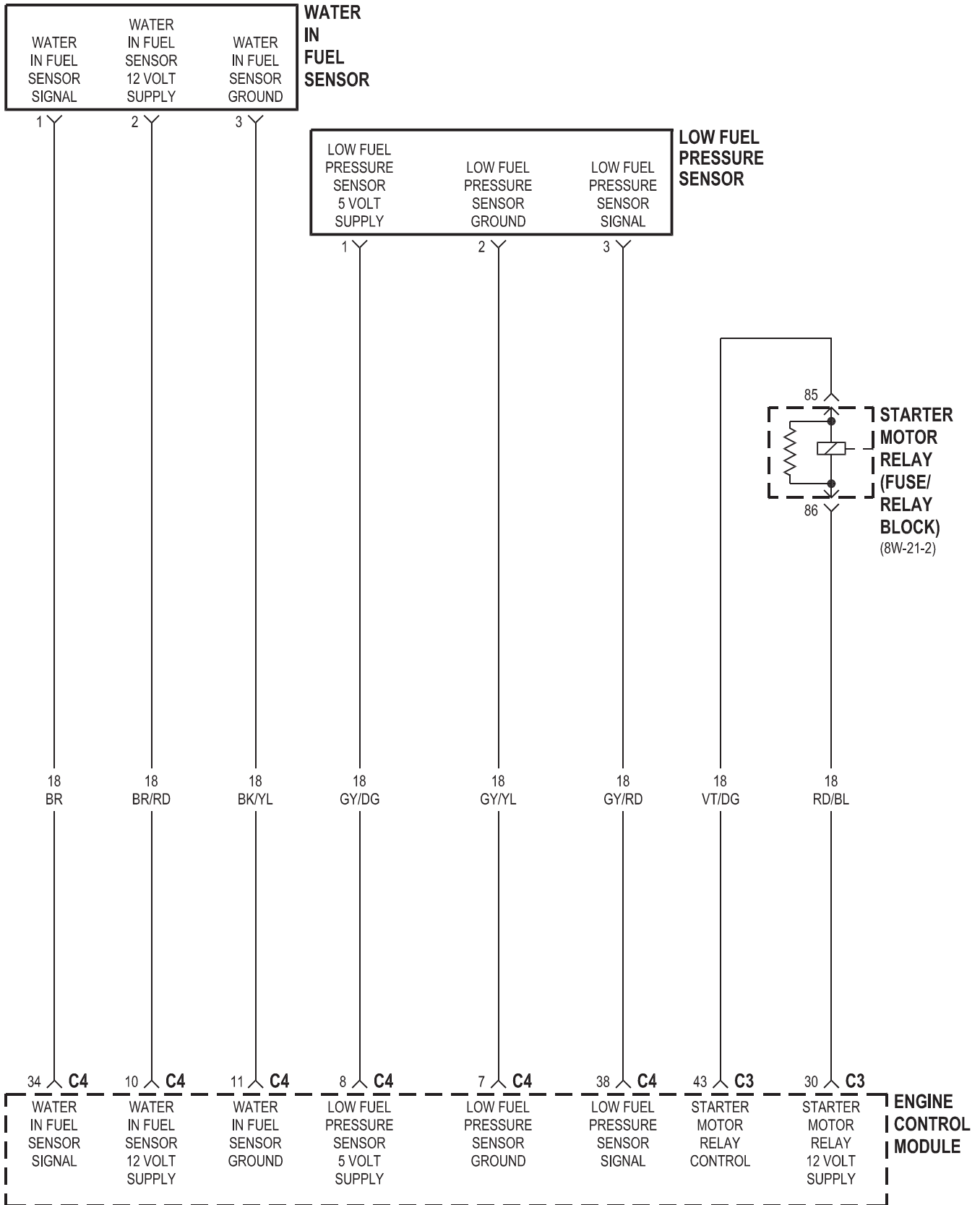


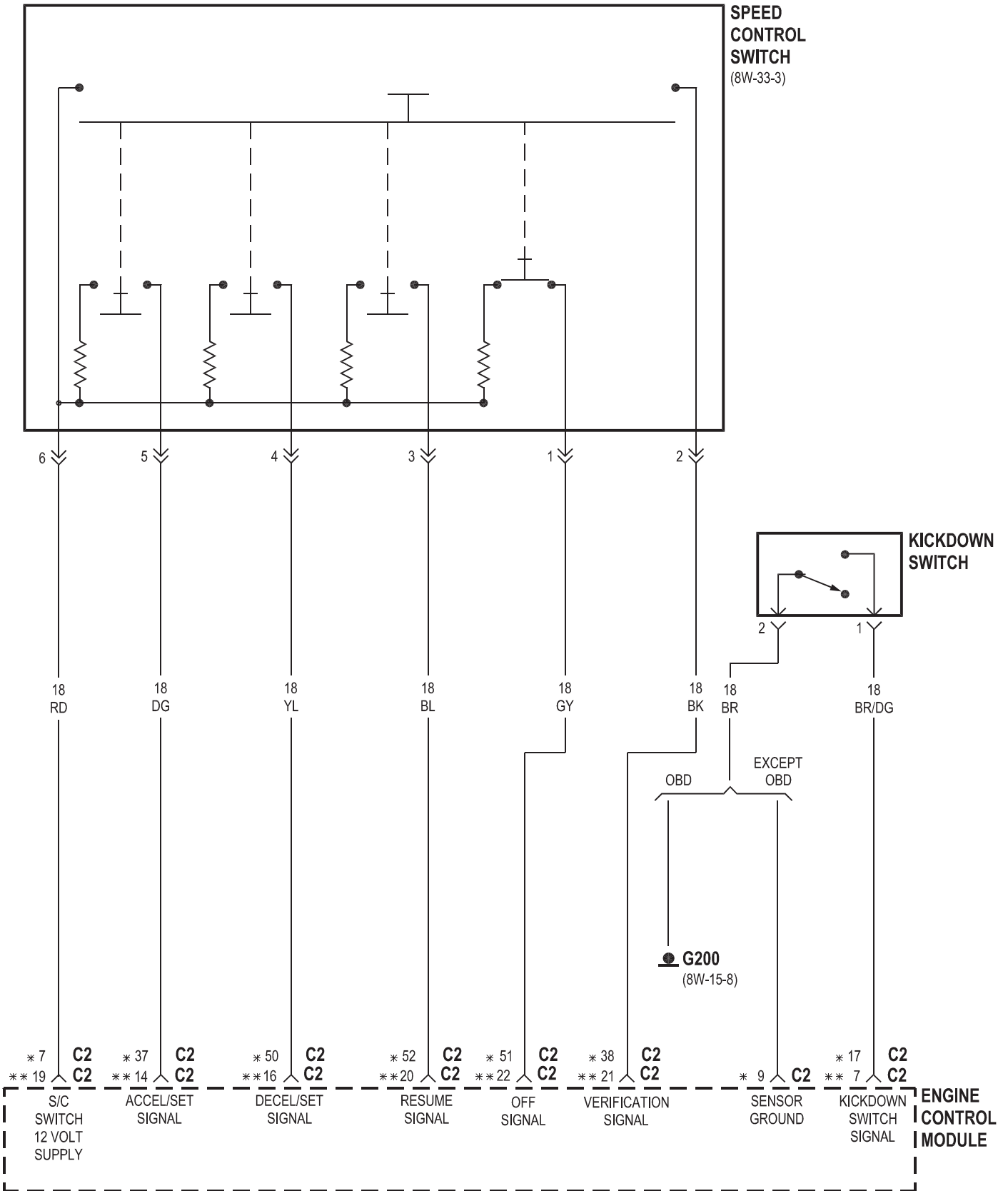
* OBD
 ** EXCEPT OBD



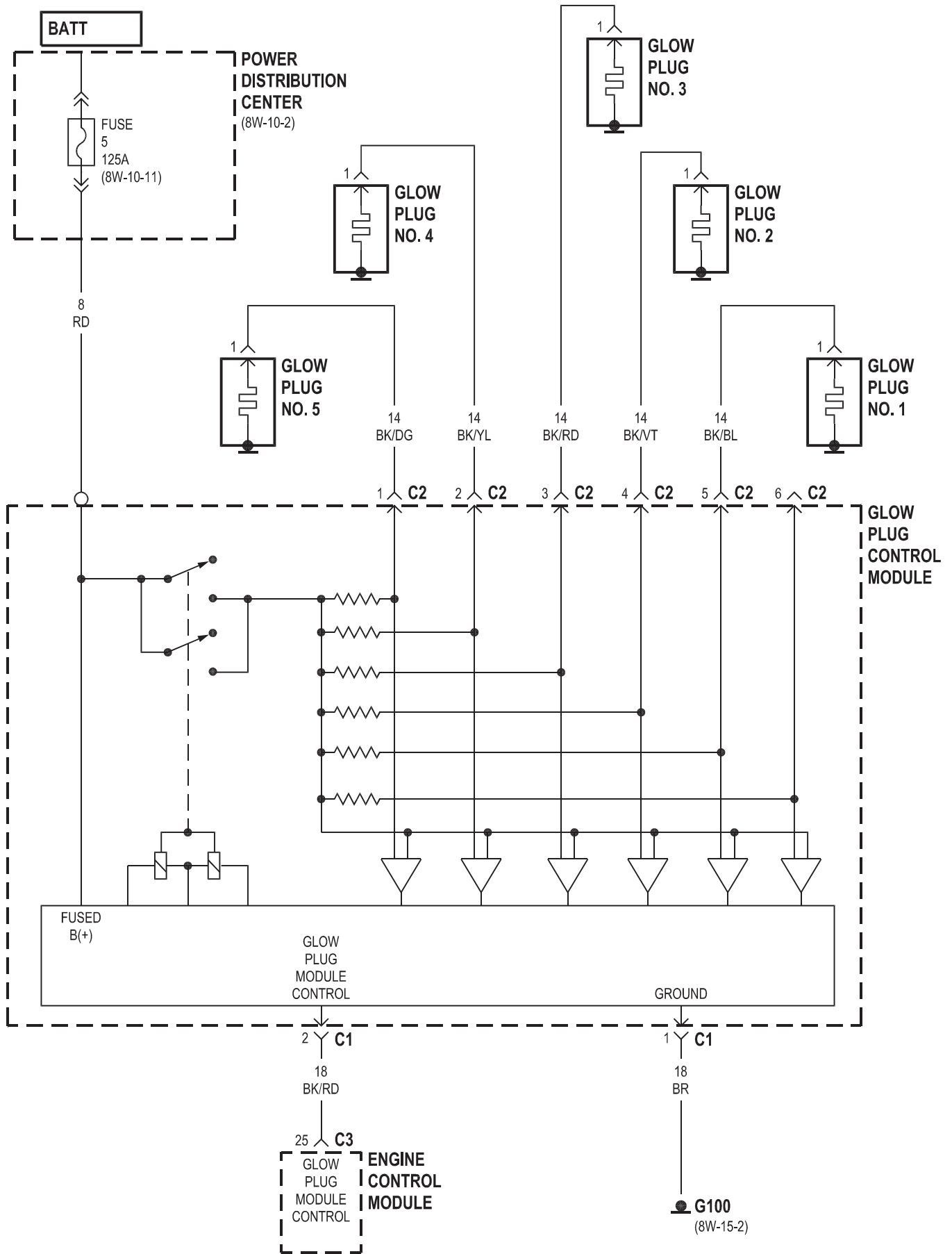
* OBD
** EXCEPT OBD

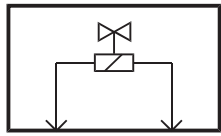






* OBD
 ** EXCEPT OBD

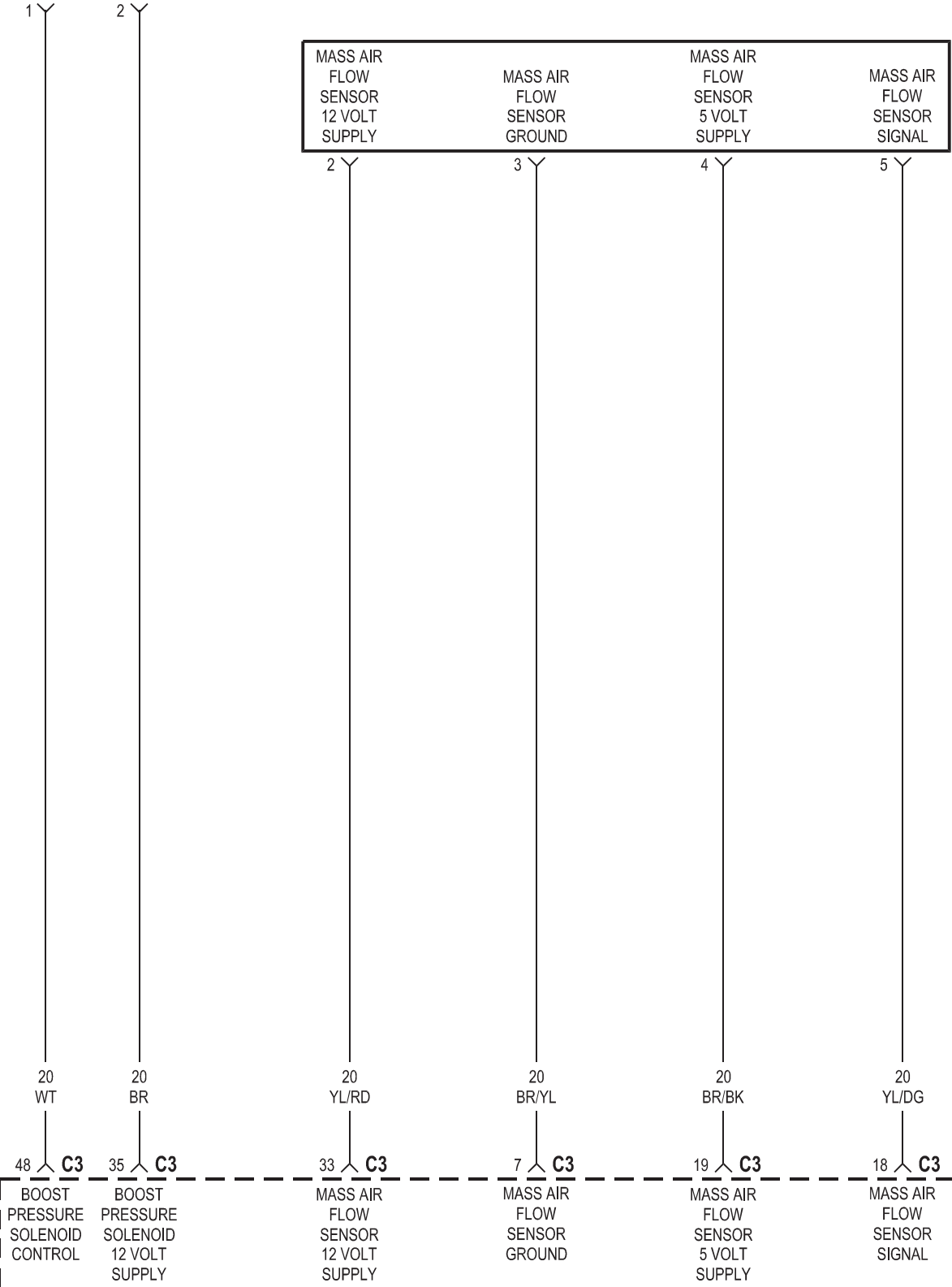


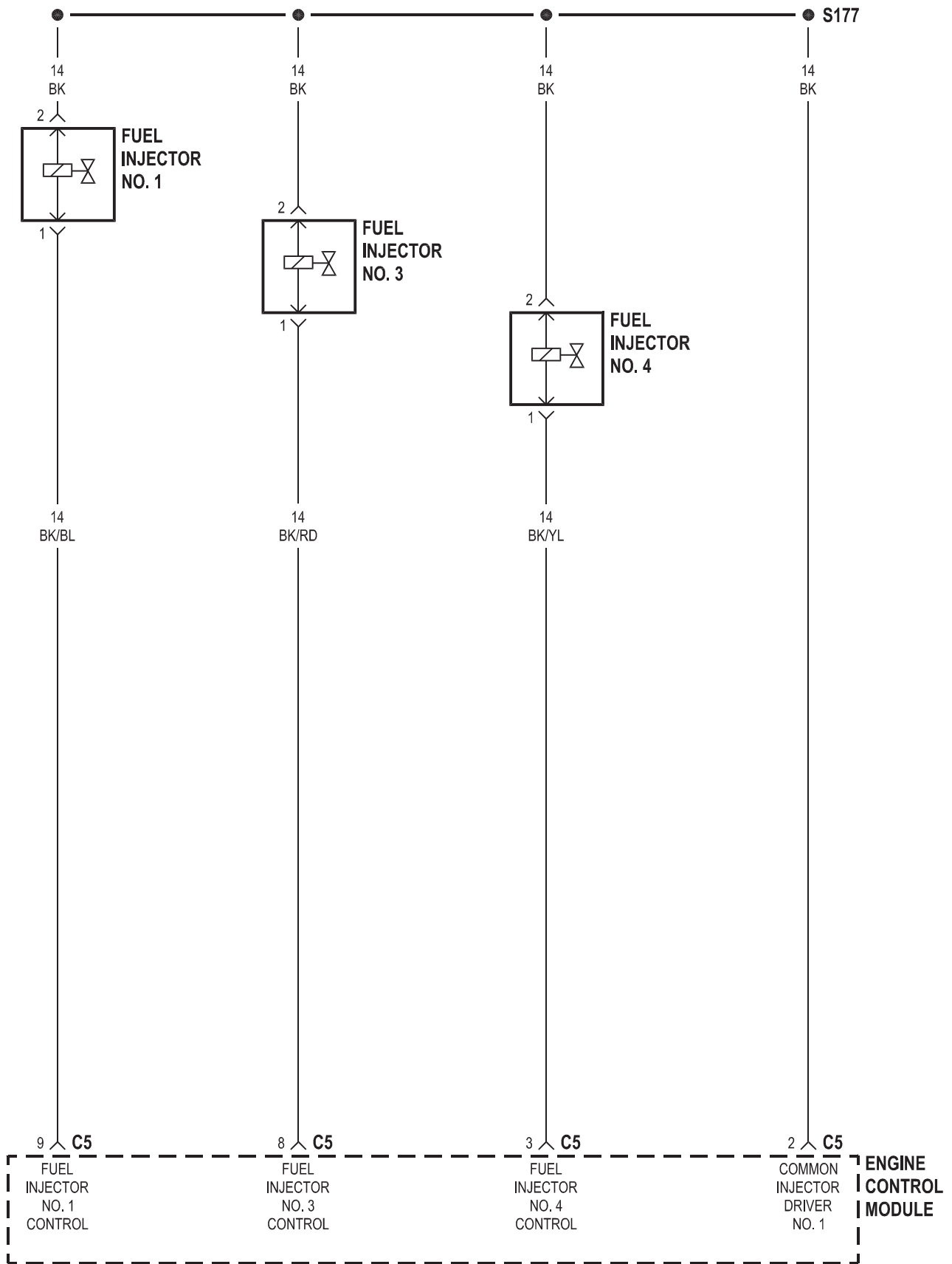


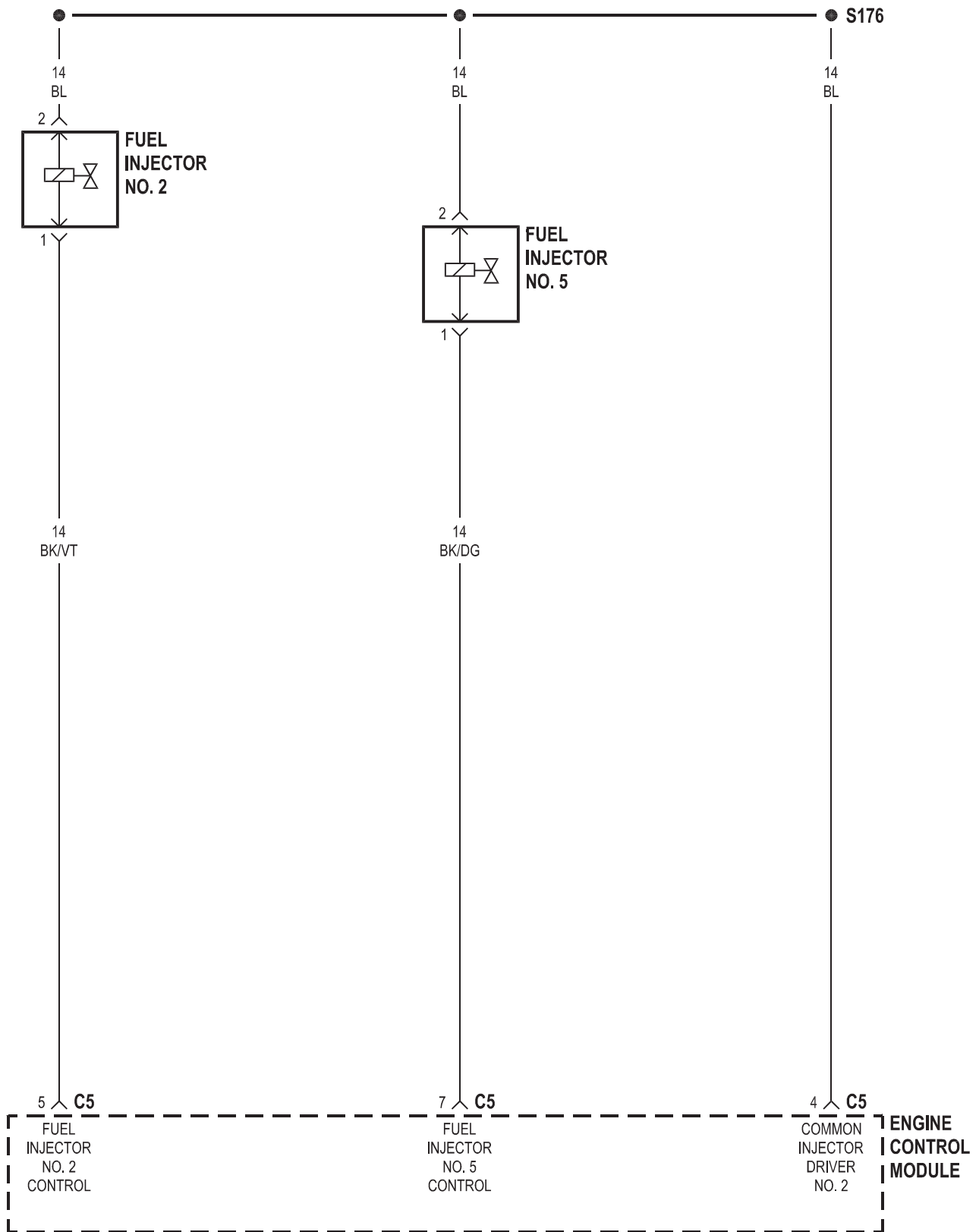
**BOOST
PRESSURE
SOLENOID**

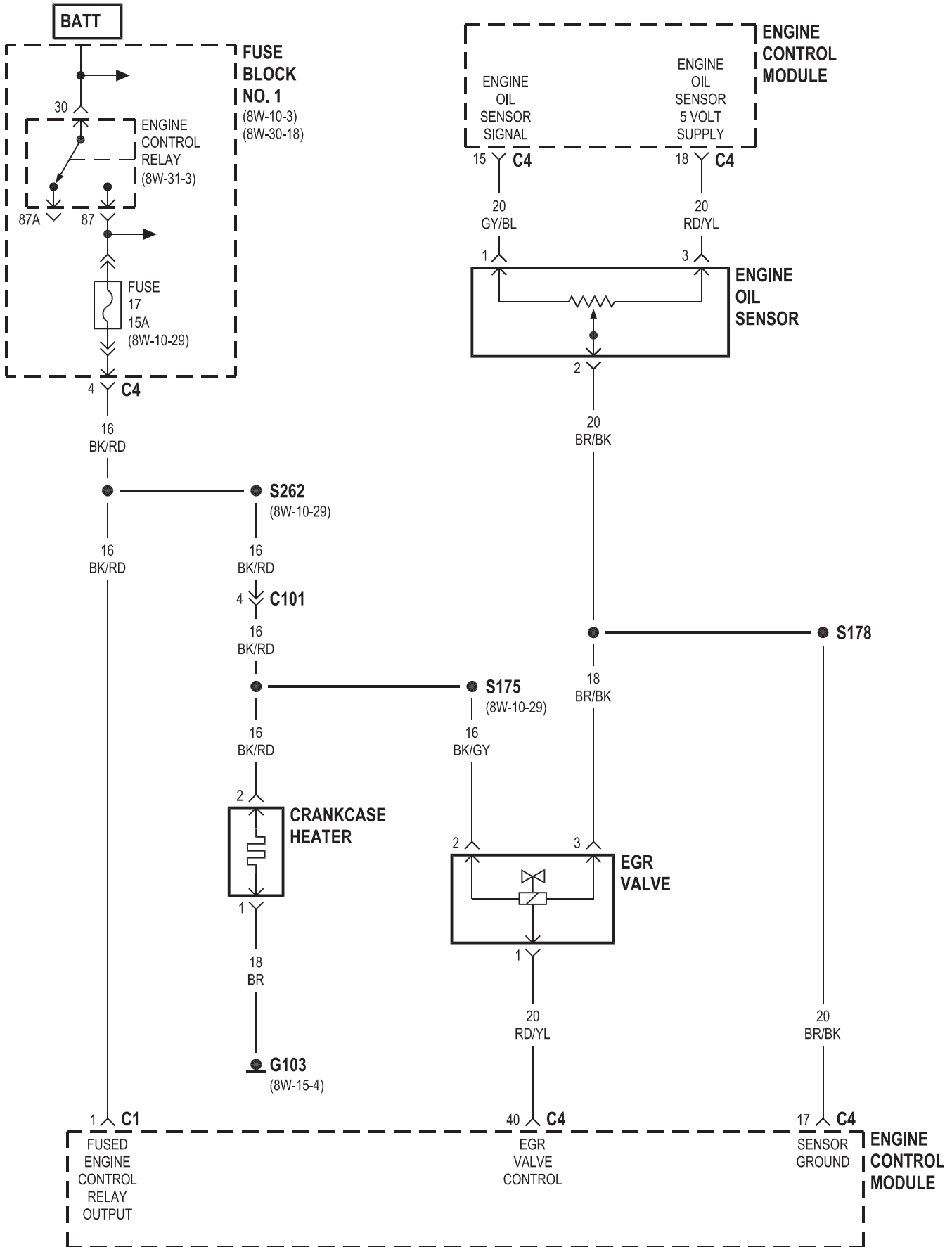


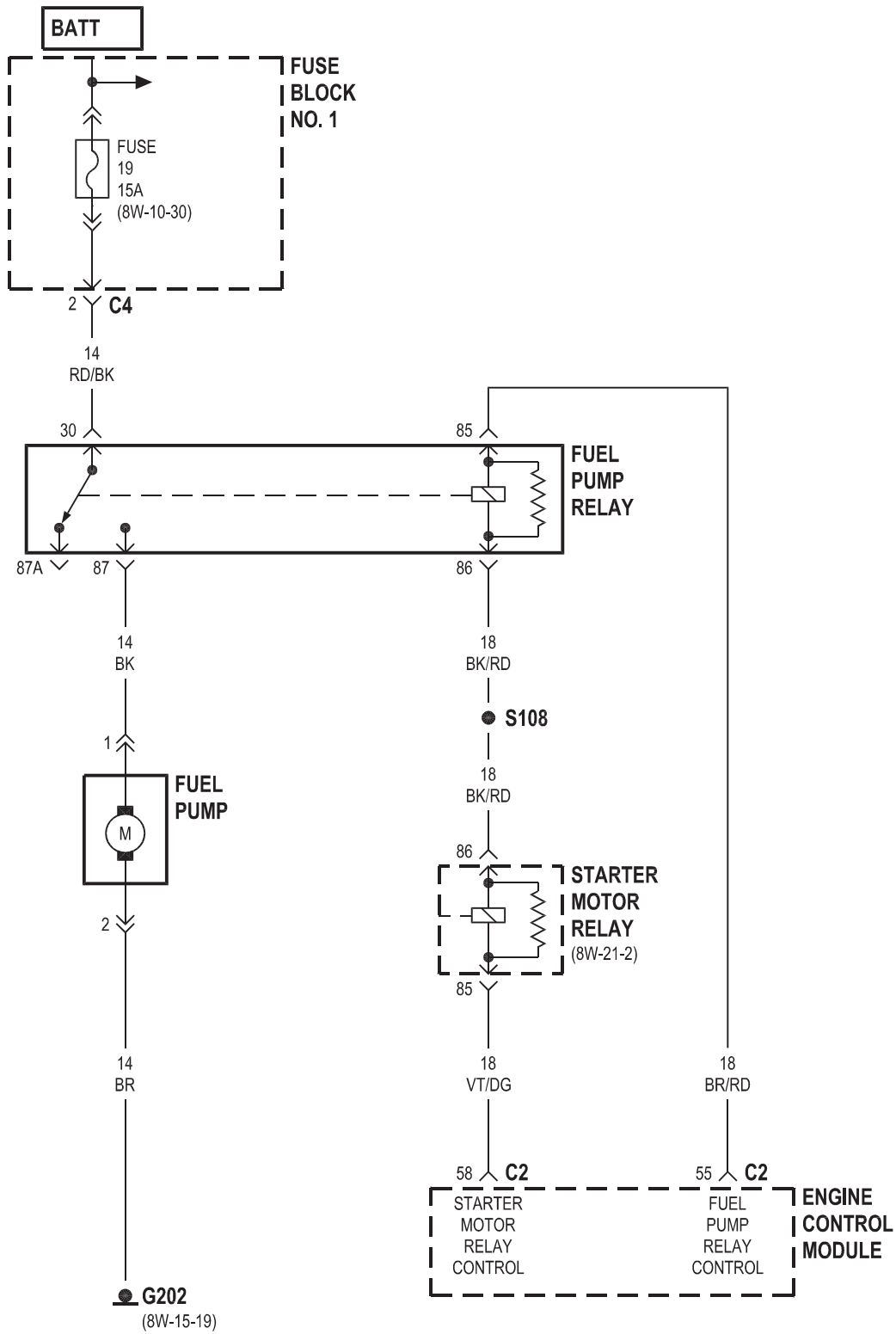
**MASS
AIR
FLOW
SENSOR**

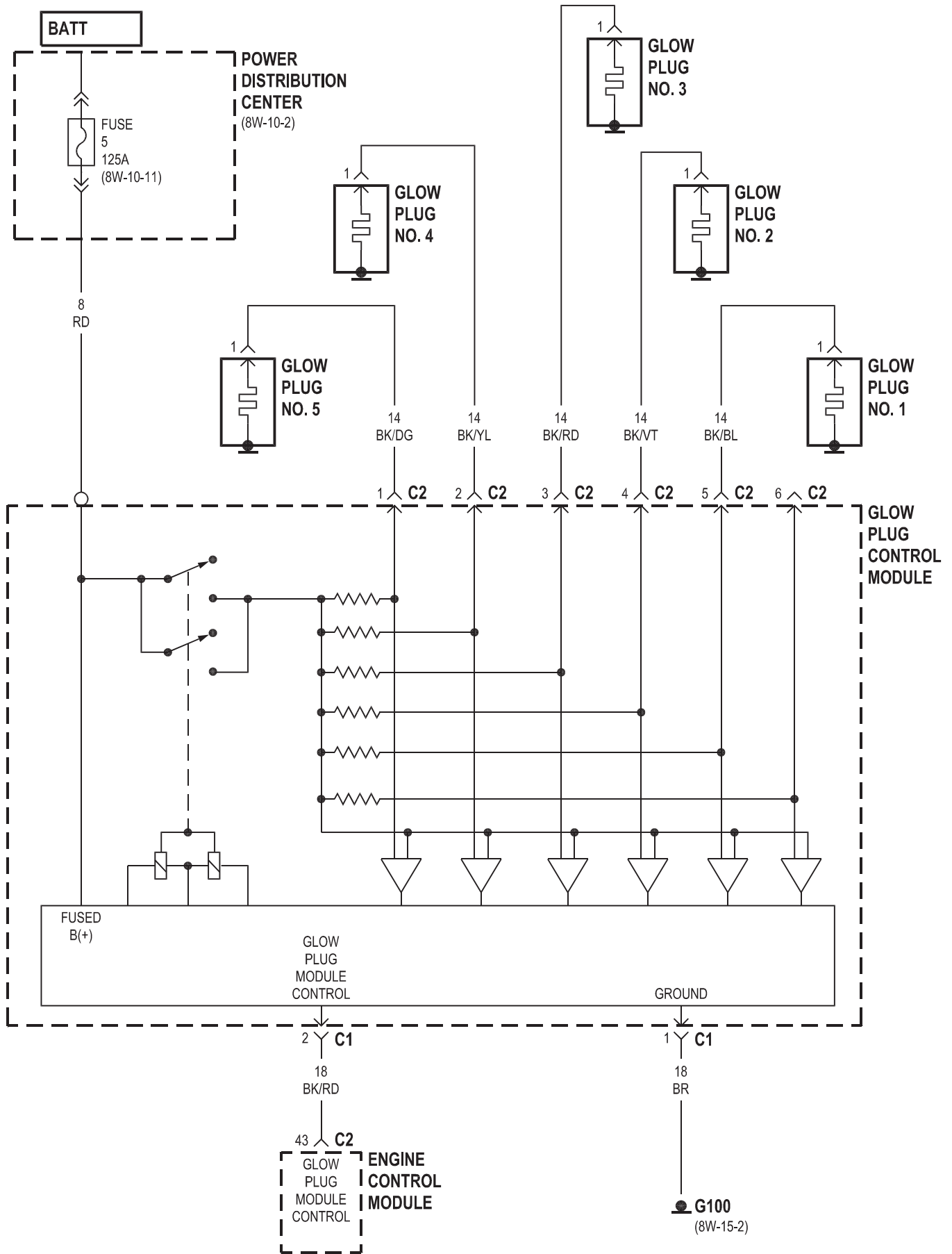


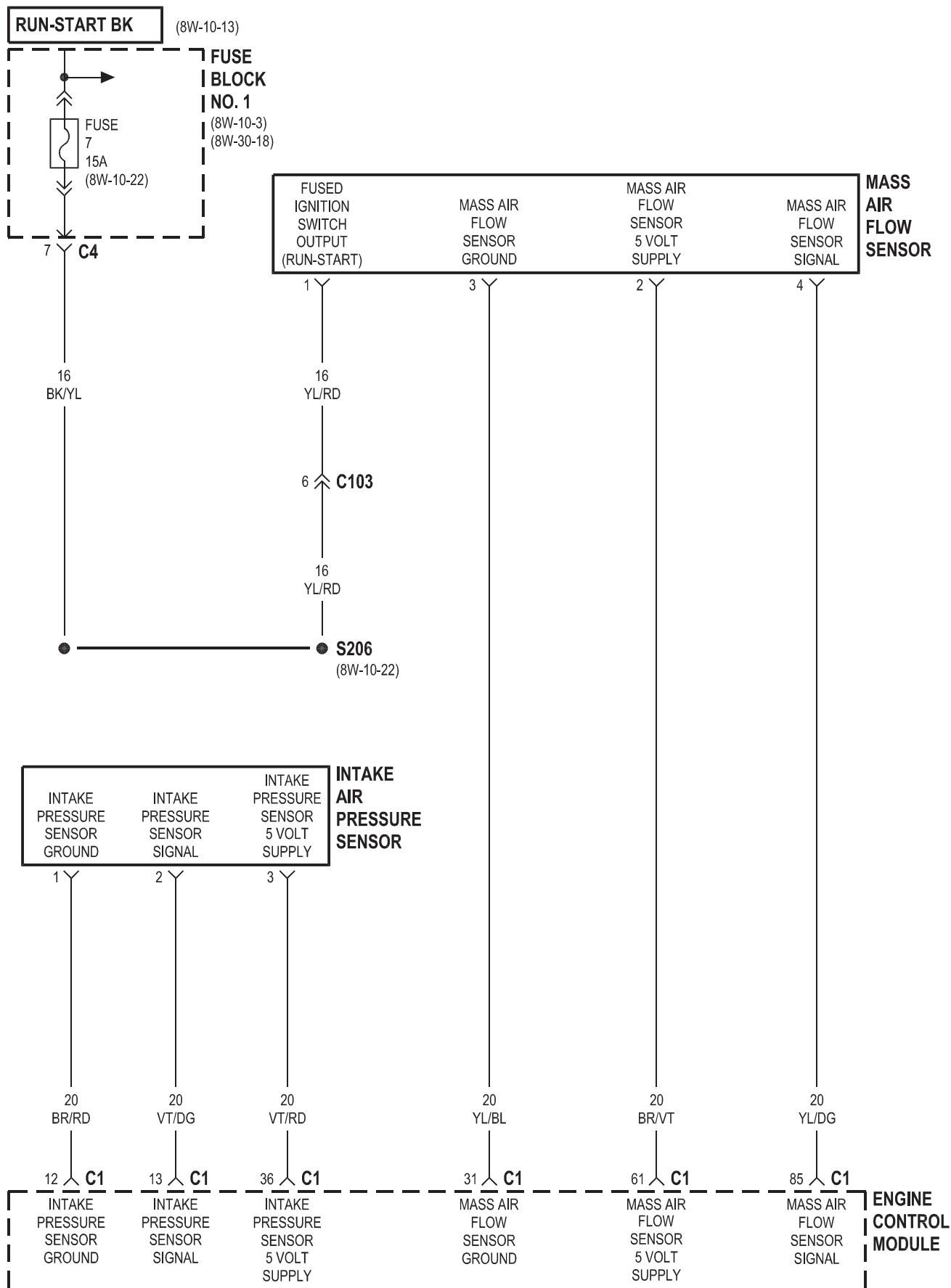


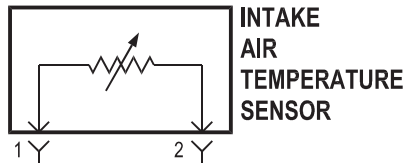












ACCEL PEDAL POSITION SENSOR GROUND NO. 2	ACCEL PEDAL POSITION SENSOR SIGNAL NO. 2	ACCEL PEDAL POSITION SENSOR 5 VOLT SUPPLY	ACCEL PEDAL POSITION SENSOR SIGNAL NO. 1	ACCEL PEDAL POSITION SENSOR GROUND NO. 1	ACCELERATOR PEDAL POSITION SENSOR
---	---	--	---	---	--

1
18 BR/DG

2
18 DG/WT

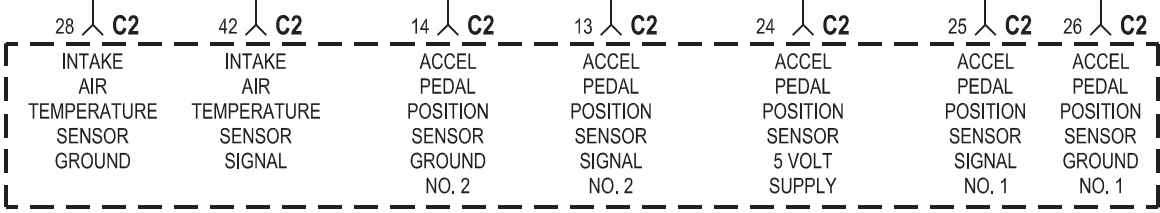
2
18 BR/GY

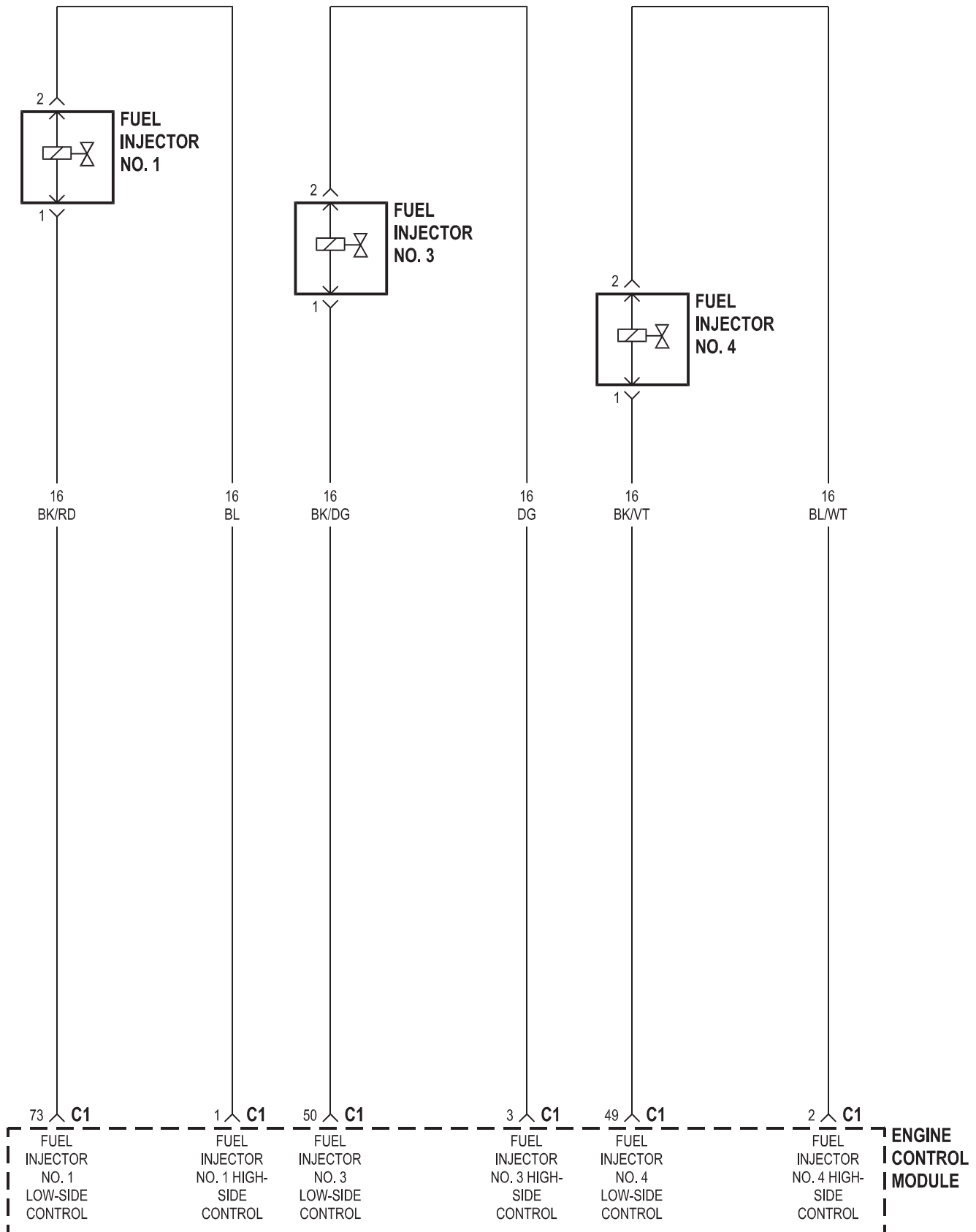
3
18 GY/DG

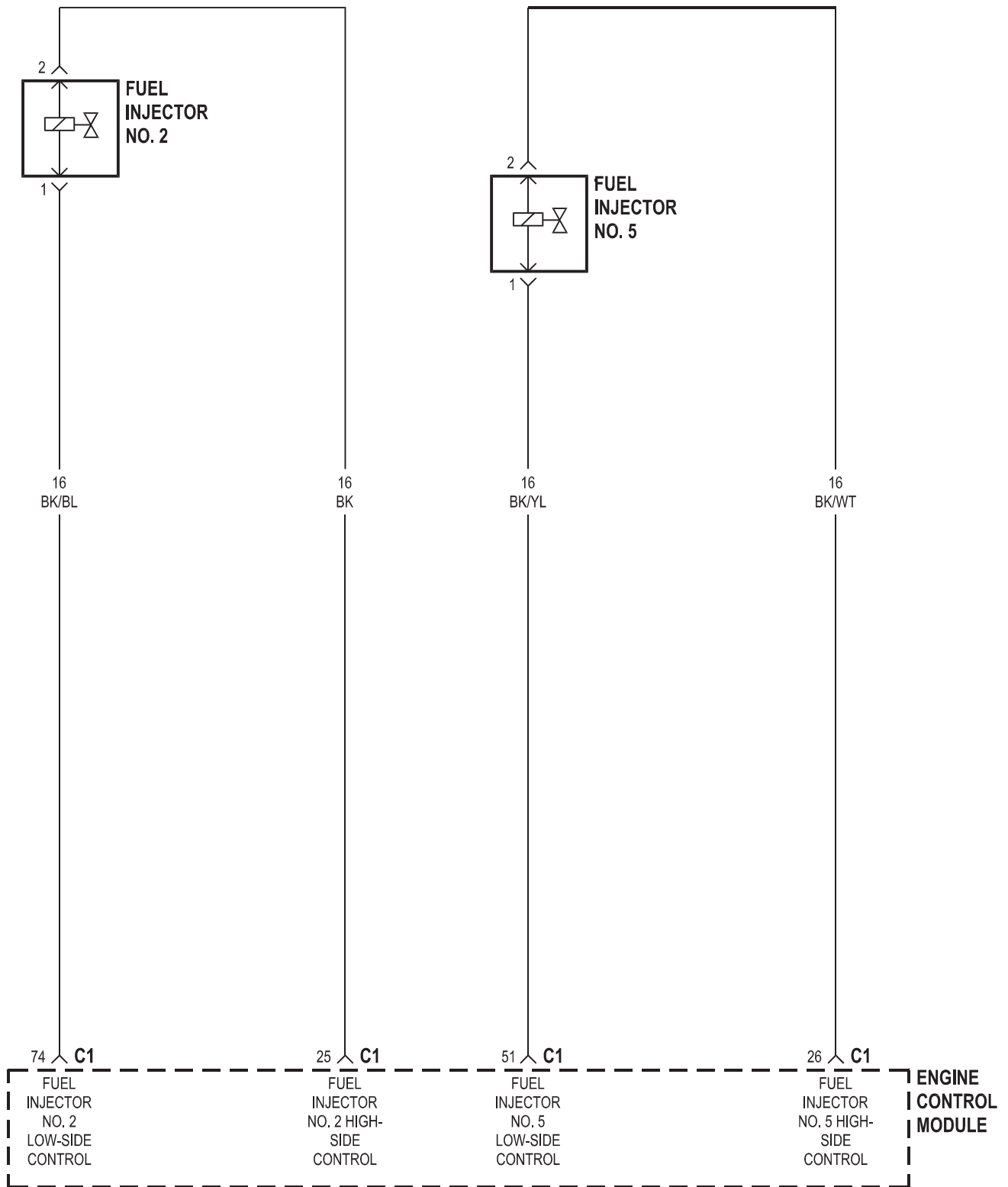
4
18 BL/RD

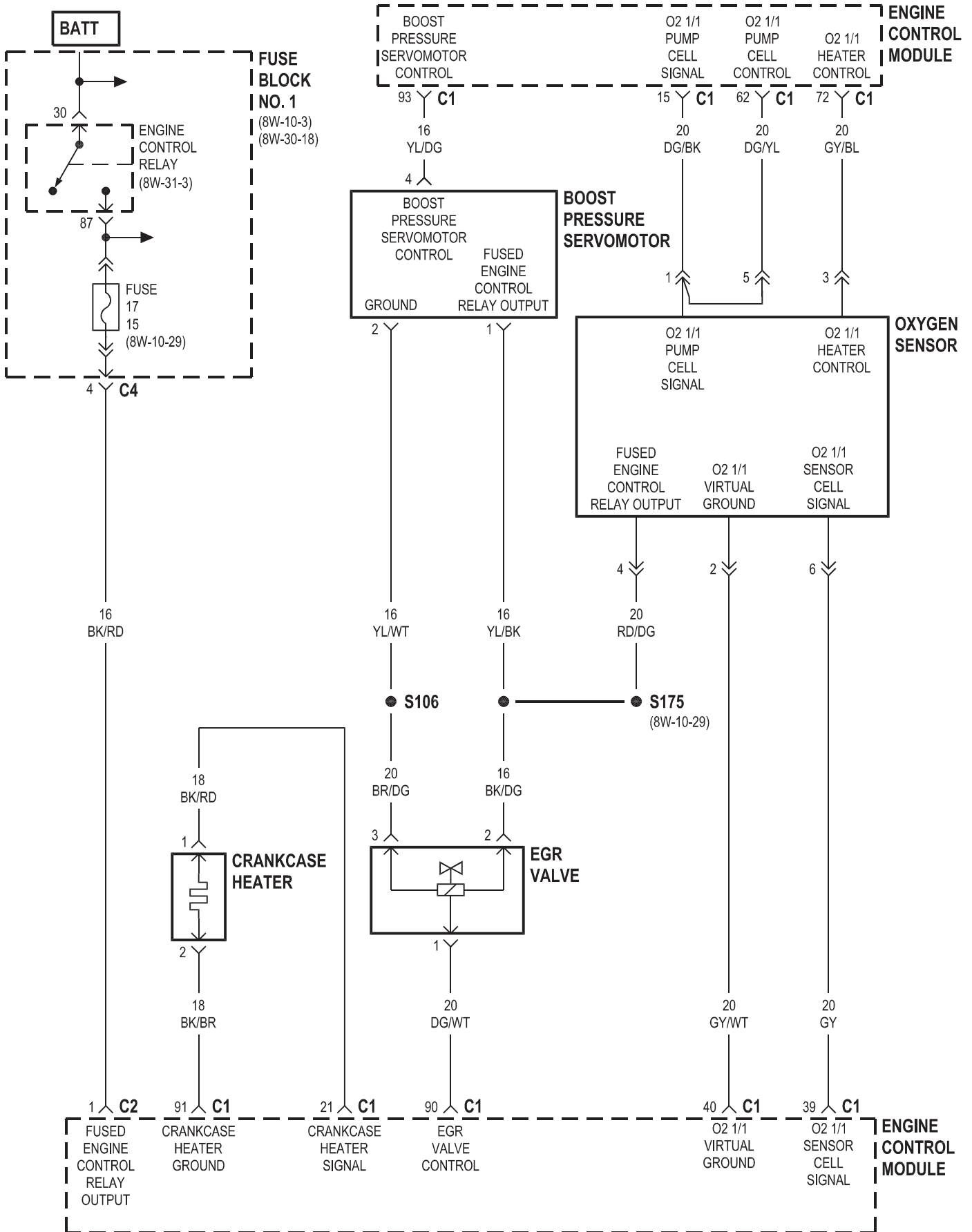
1
18 BL/DG

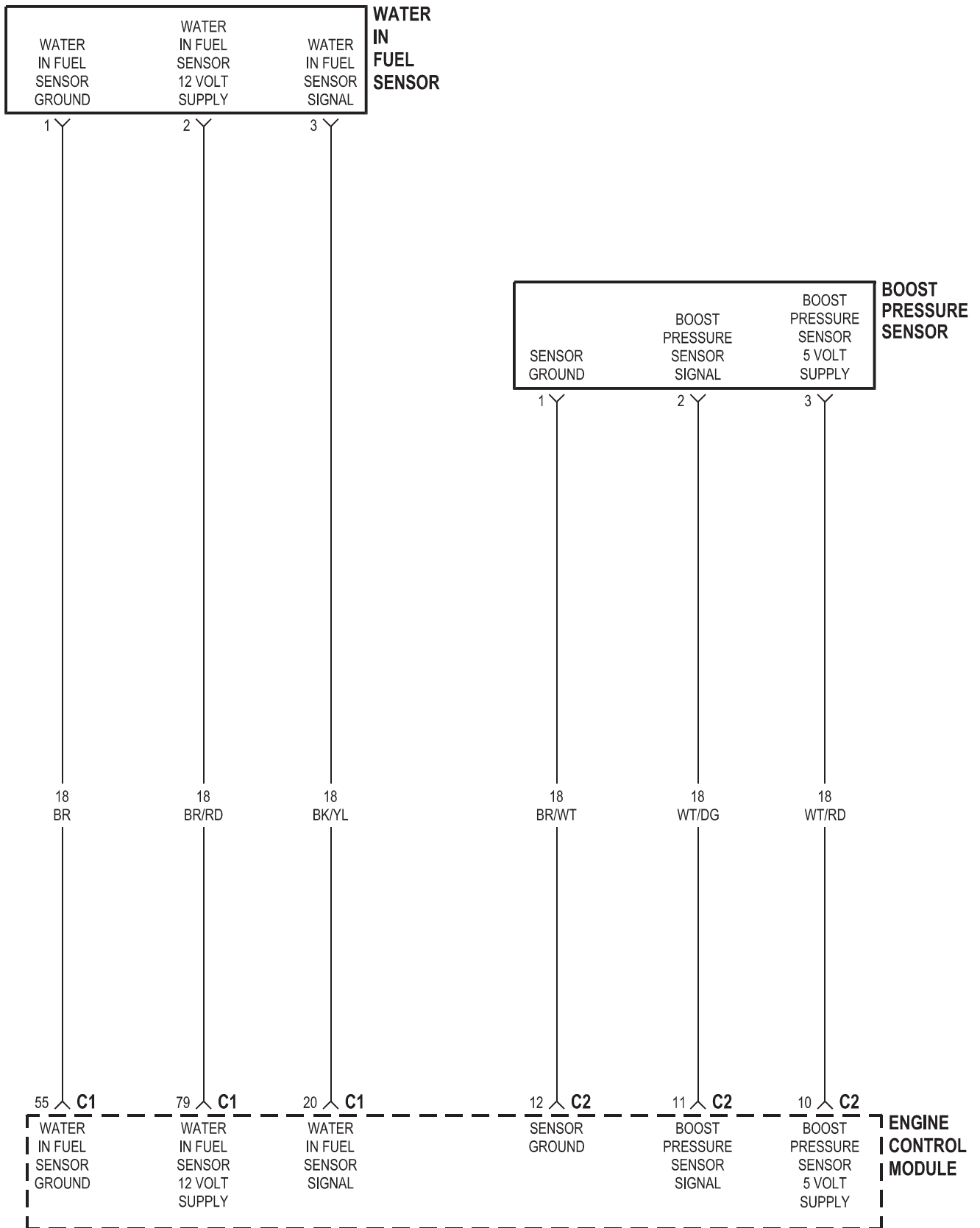
5
18 BR/BL





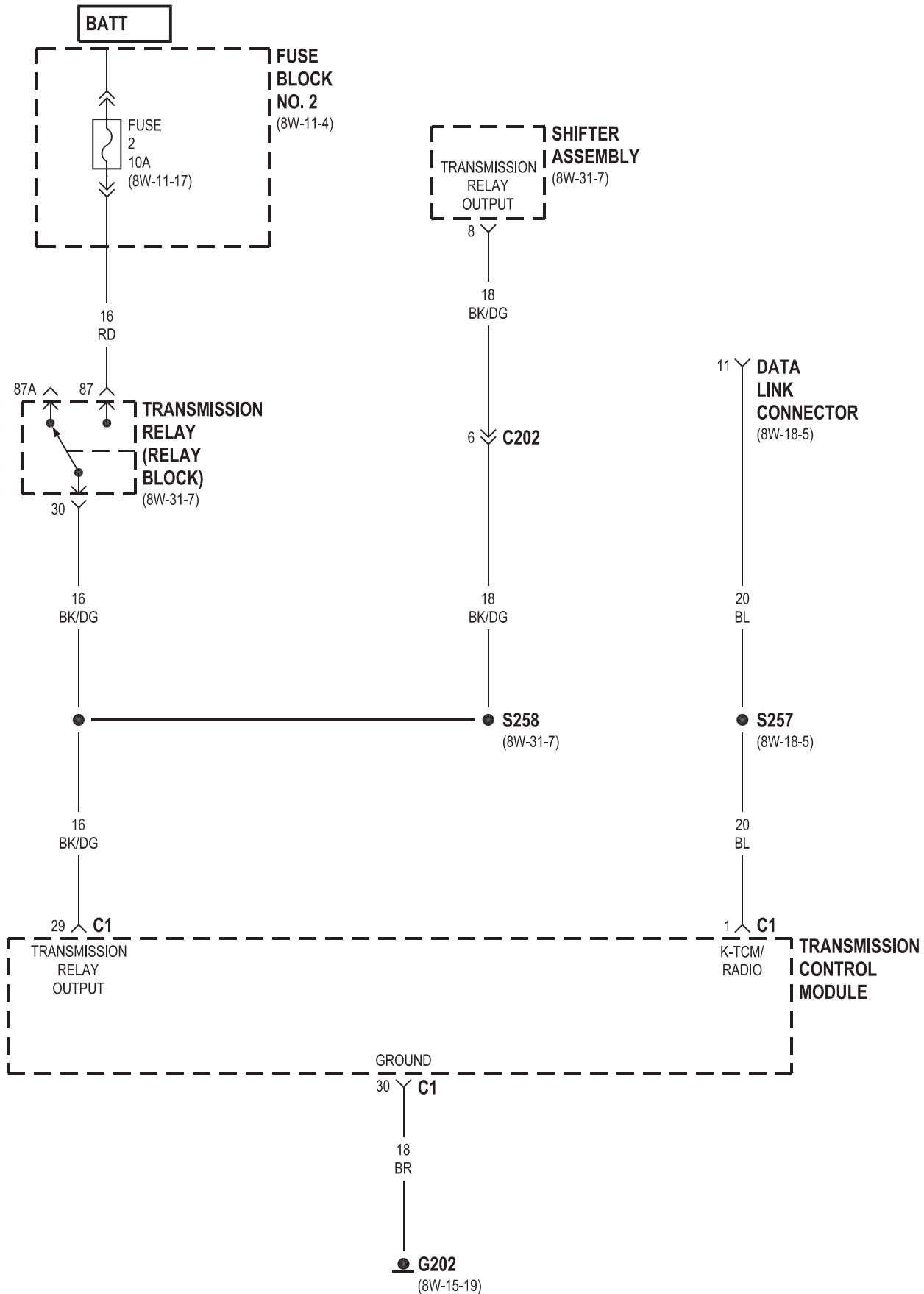


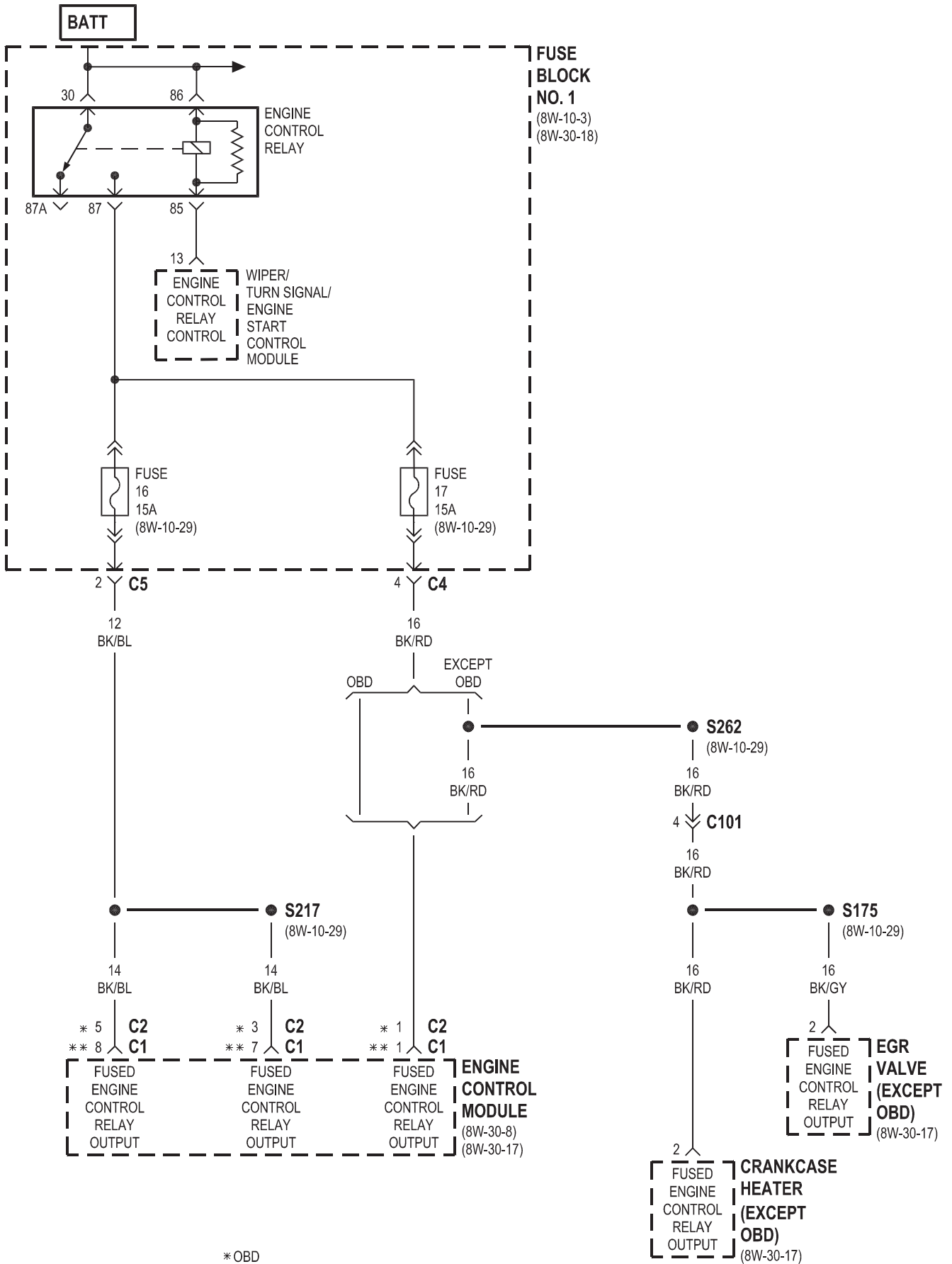


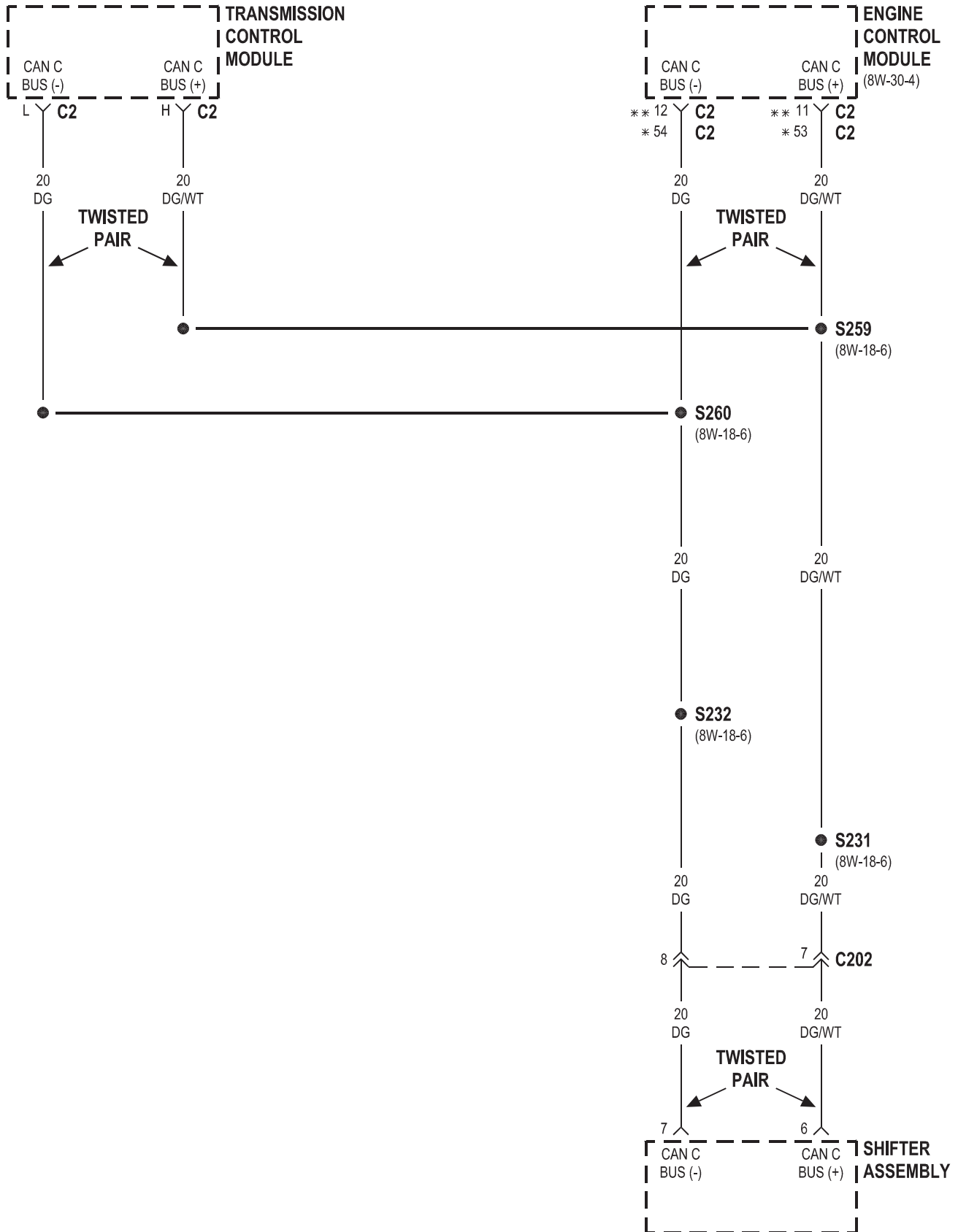


8W-31 TRANSMISSION CONTROL SYSTEM

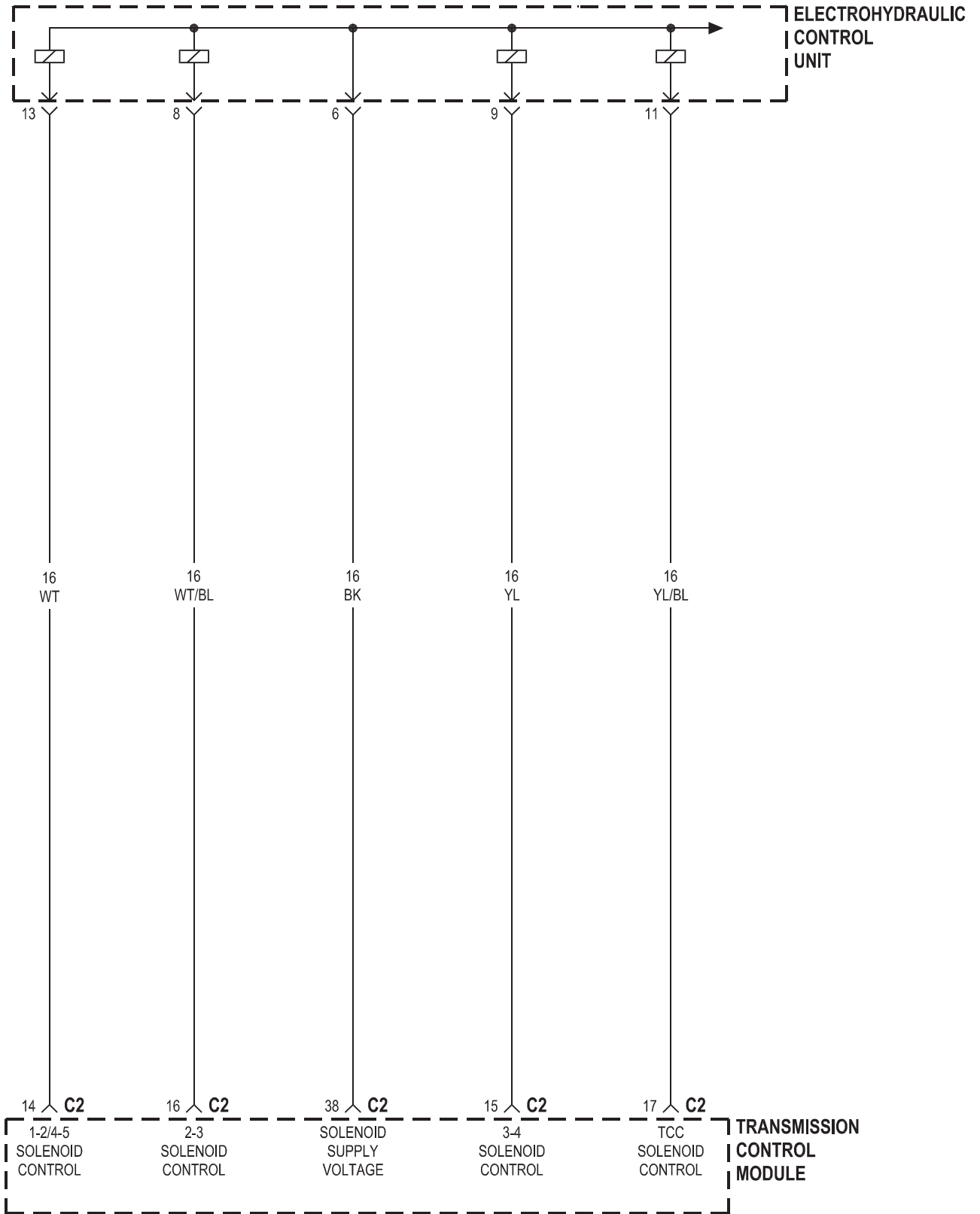
Component	Page	Component	Page
Brake Lamp Switch	8W-31-9	Fuse Block No. 3	8W-31-8
Crankcase Heater	8W-31-3	G100	8W-31-8
Data Link Connector	8W-31-2, 9	G202	8W-31-2, 7
Daytime Running Lamps Relay	8W-31-8, 9	G203	8W-31-8, 9
Differential Lock Solenoid Valve	8W-31-8	Locker Switch No. 1	8W-31-8
EGR Valve	8W-31-3	Locker Switch No. 2	8W-31-8
Electrohydraulic Control Unit	8W-31-5, 6	Optional Equipment Relay	8W-31-8
Engine Control Module	8W-31-3, 4	Shifter Assembly	8W-31-2, 4, 7, 9
Engine Control Relay	8W-31-3	Tail Lamp Assembly-Left	8W-31-9
Fuse 2	8W-31-2, 7	Tail Lamp Assembly-Right	8W-31-9
Fuse 4	8W-31-7, 9	Trailer Tow Connector	8W-31-9
Fuse 7	8W-31-7	Transmission Control Module ...	8W-31-2, 4, 5, 6, 7
Fuse 12	8W-31-8	Transmission Relay	8W-31-2, 7
Fuse 16	8W-31-3	Wiper/Turn Signal/Engine Start Control	
Fuse 17	8W-31-3	Module	8W-31-3
Fuse Block No. 1	8W-31-3, 7, 9		
Fuse Block No. 2	8W-31-2, 7		

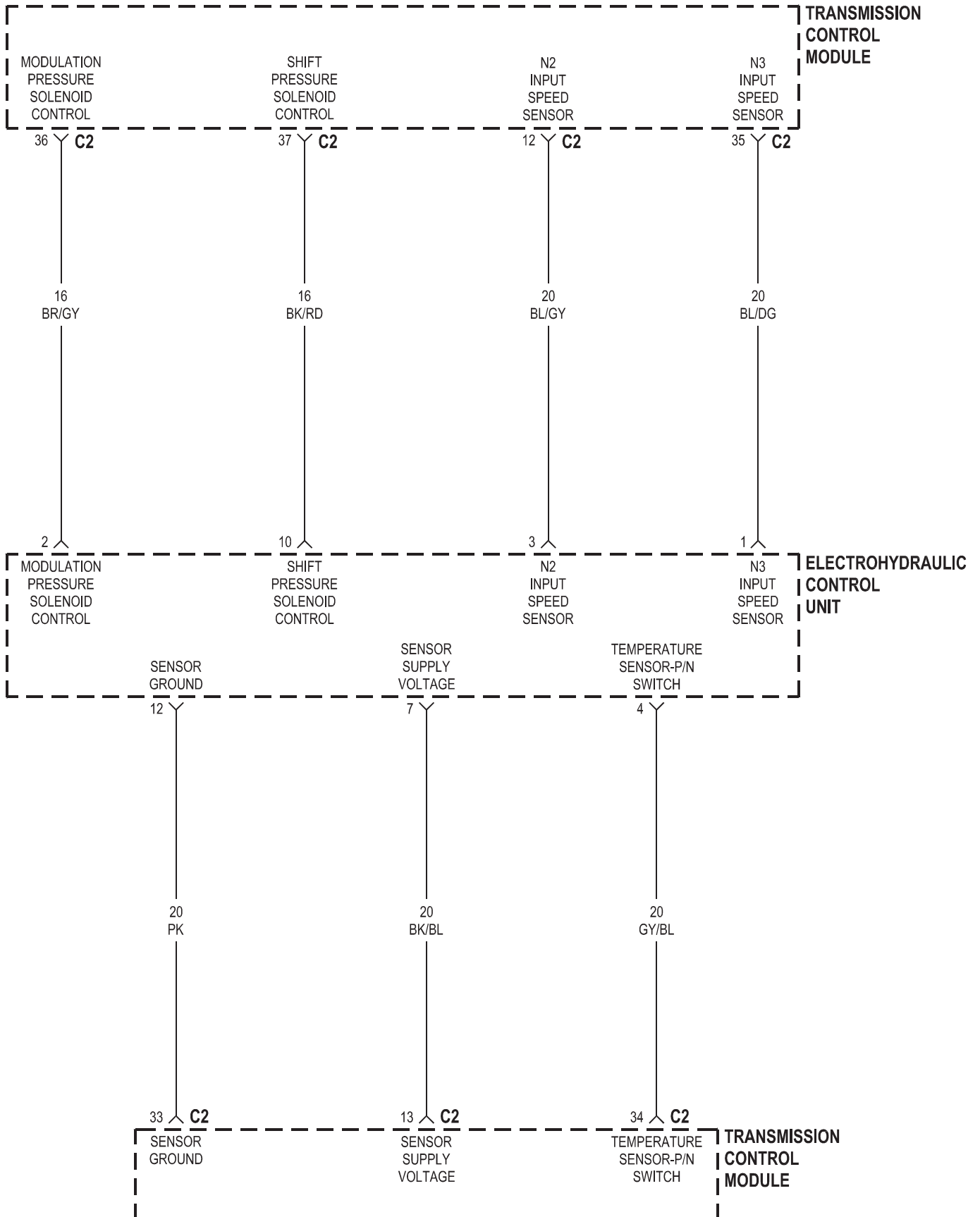


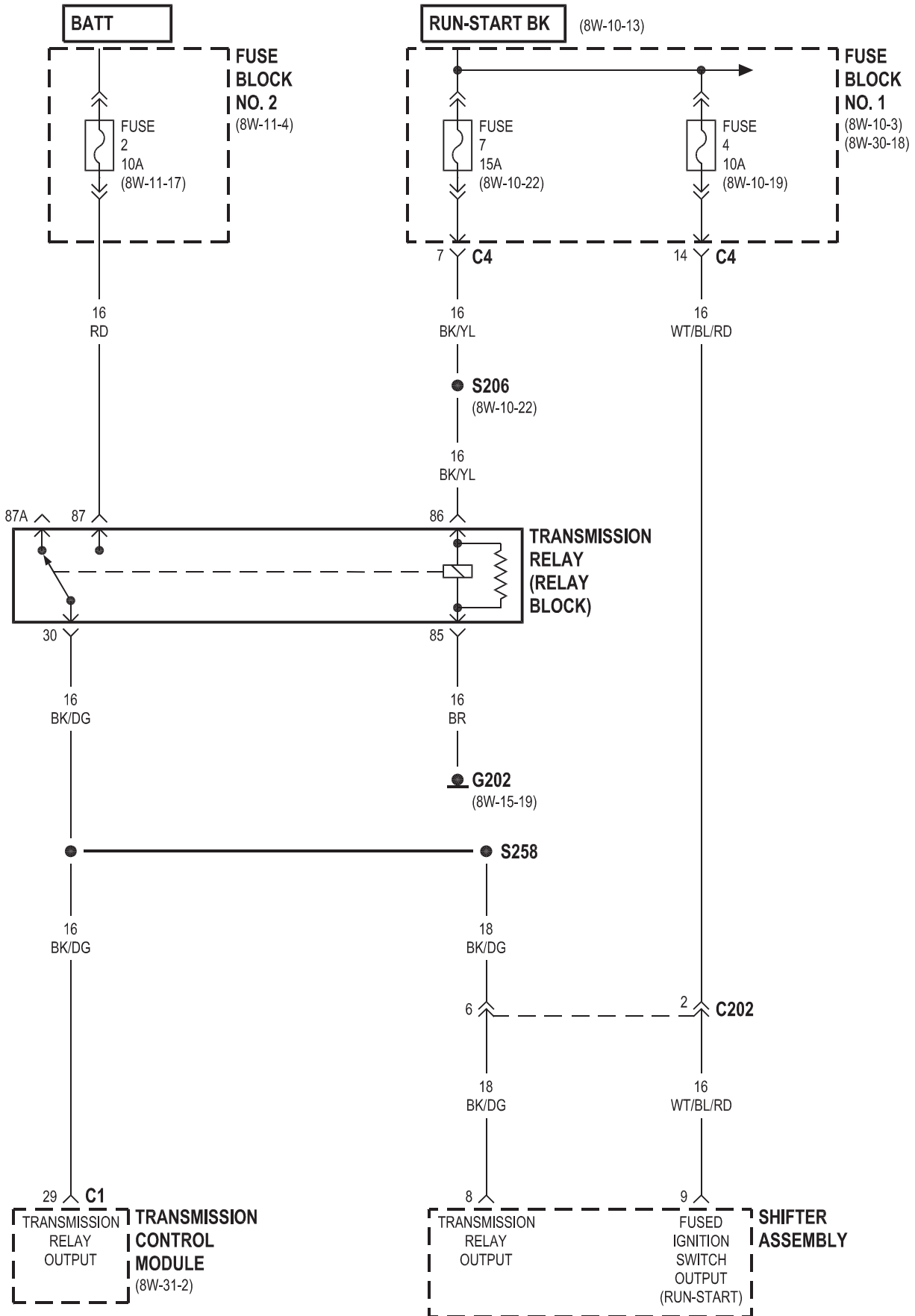


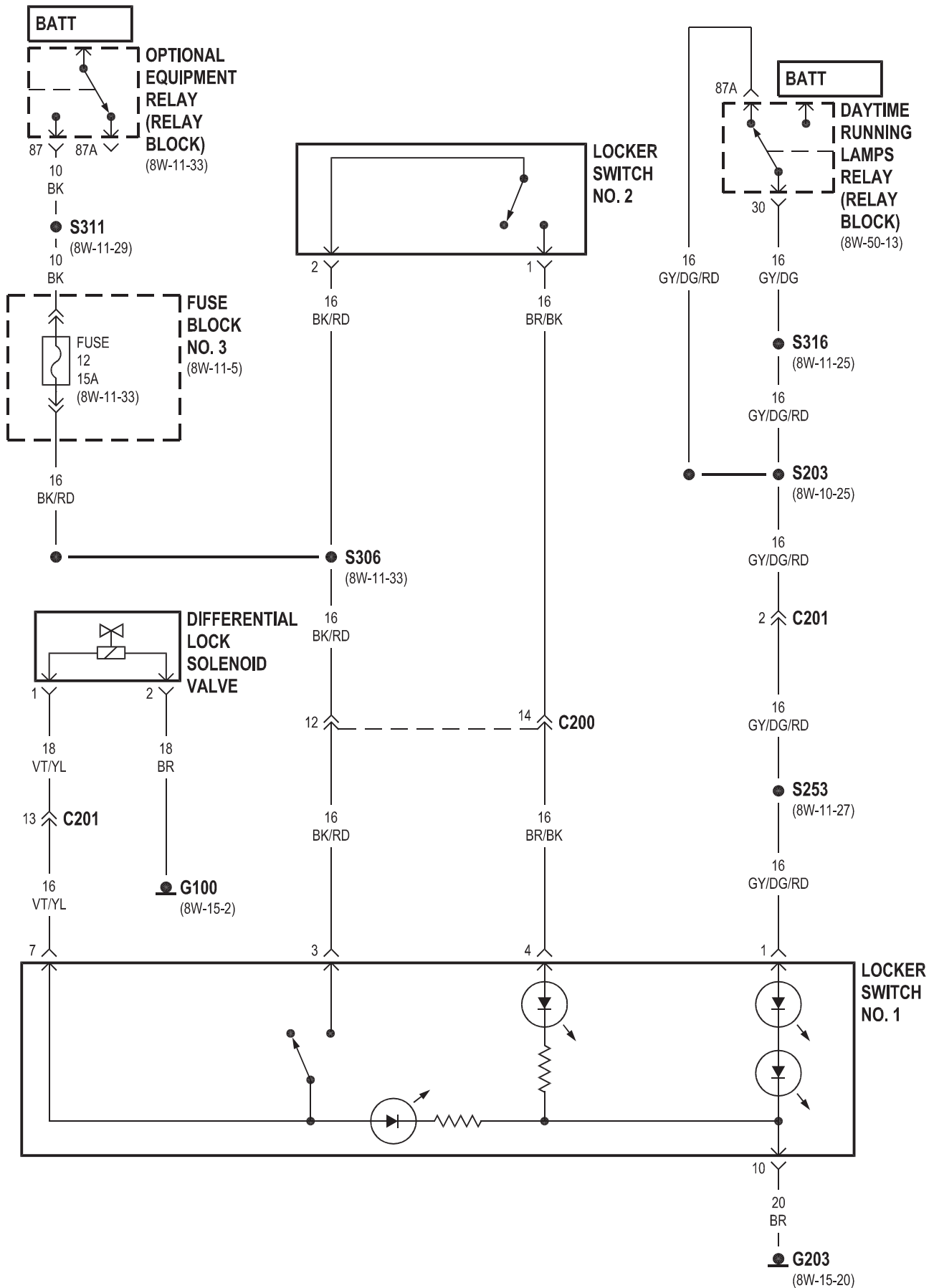


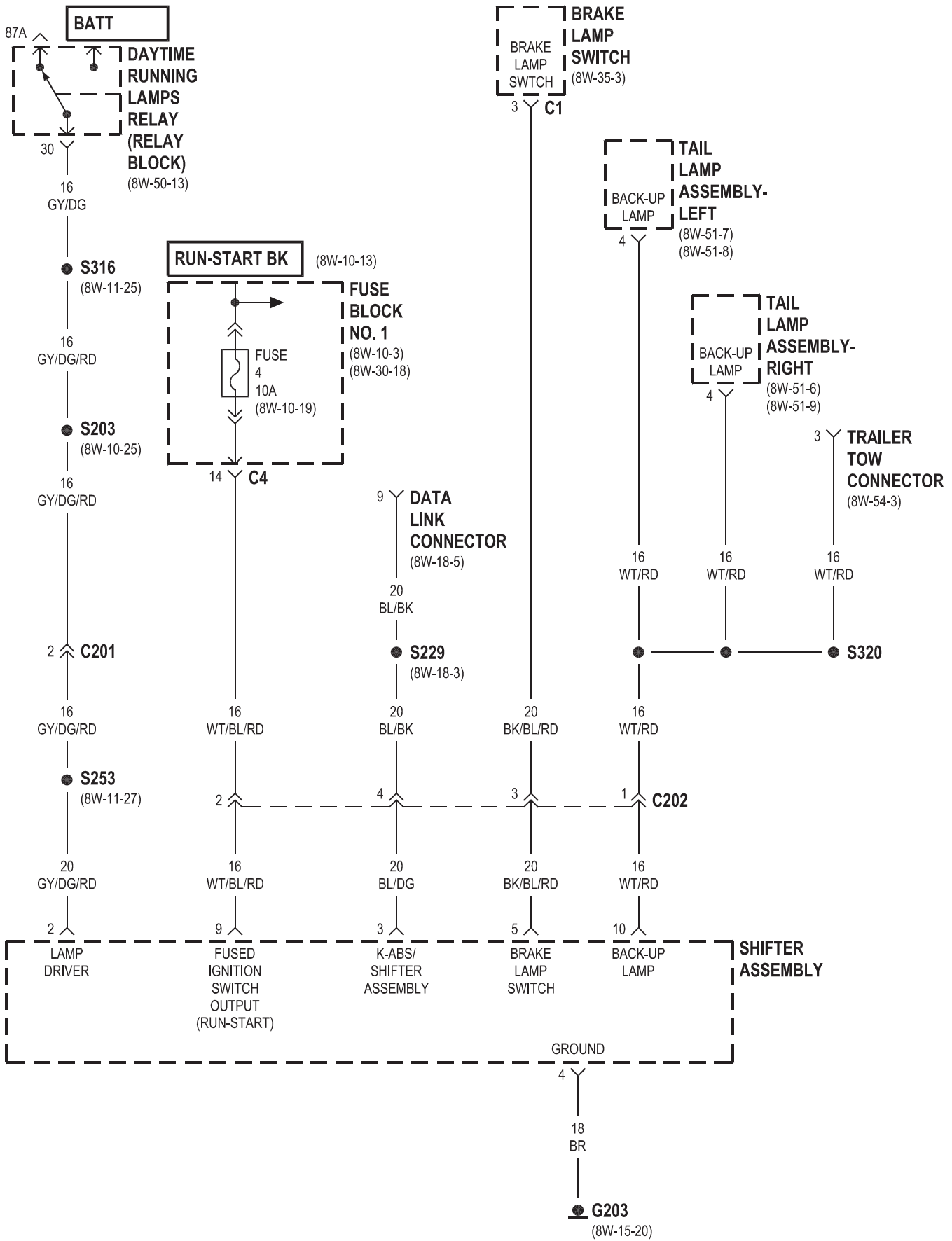
* OBD
** EXCEPT OBD





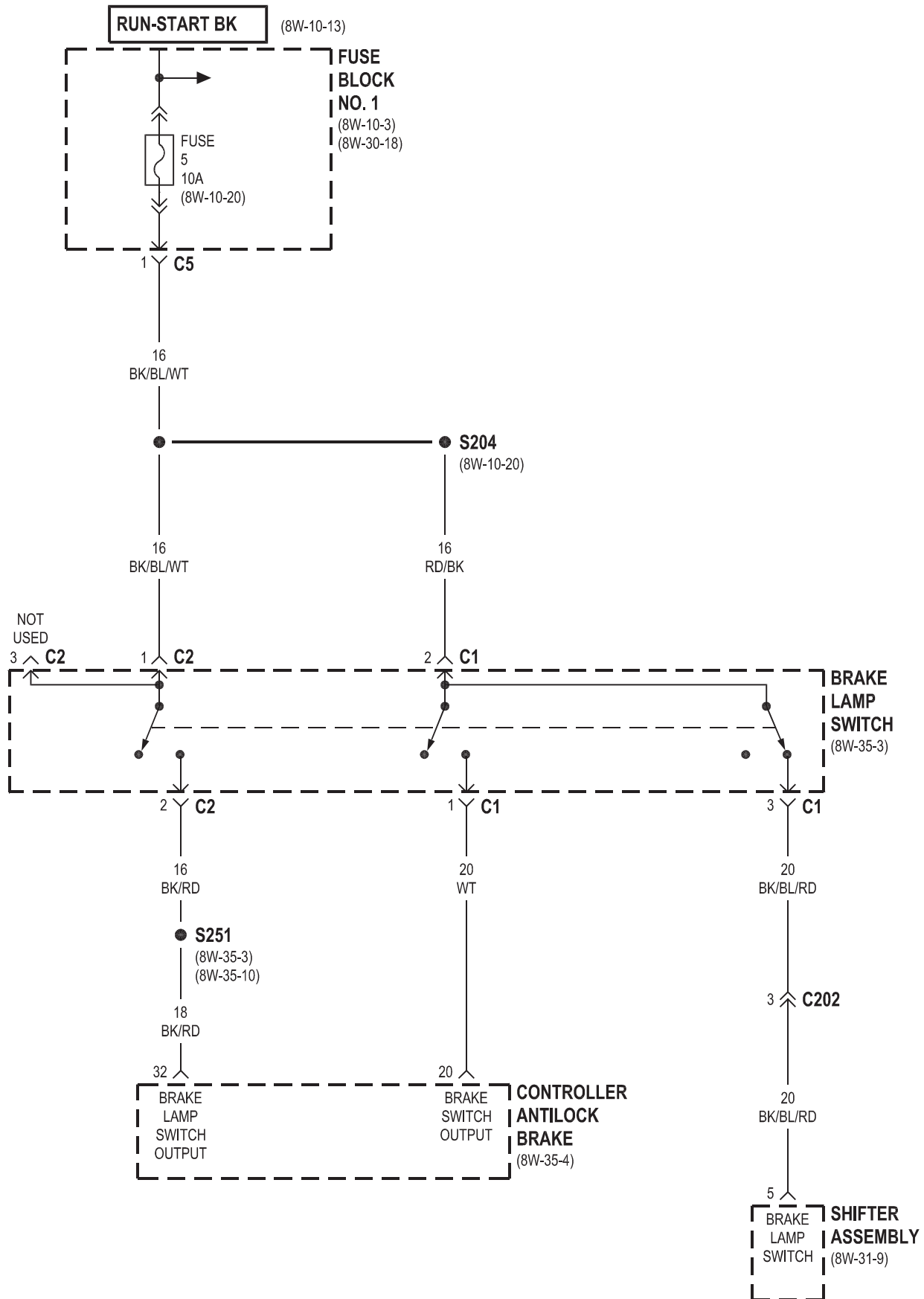


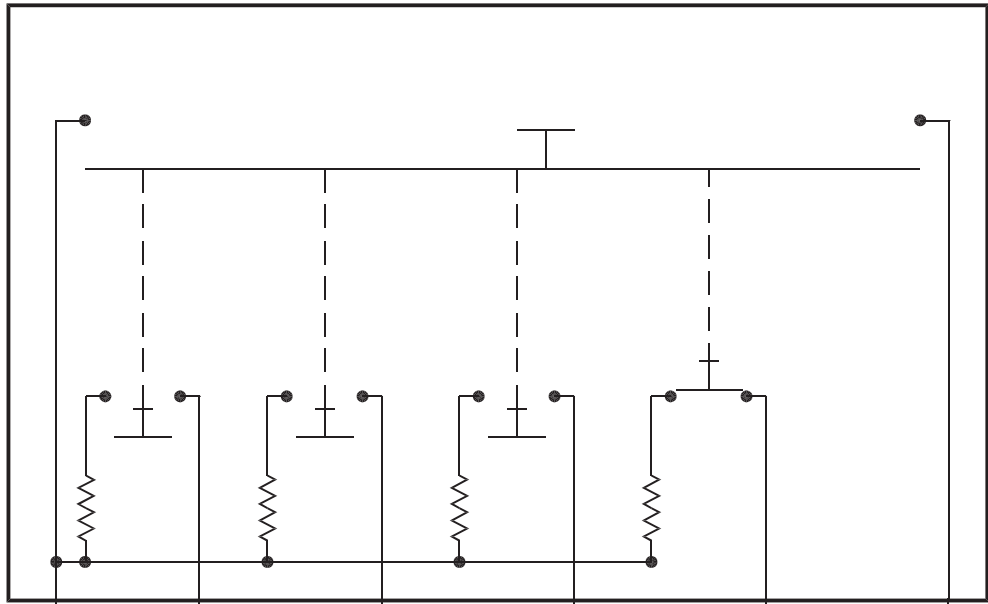




8W-33 VEHICLE SPEED CONTROL

Component	Page	Component	Page
Brake Lamp Switch	8W-33-2	Fuse Block No. 1	8W-33-2
Controller Antilock Brake	8W-33-2	Shifter Assembly	8W-33-2
Engine Control Module	8W-33-3	Speed Control Switch	8W-33-3
Fuse 5	8W-33-2		





**SPEED
CONTROL
SWITCH**

6 5 4 3 1 2

18 RD 18 DG 18 YL 18 BL 18 GY 18 BK

* 7 C2 * 37 C2 * 50 C2 * 52 C2 * 51 C2 * 38 C2
 ** 19 C2 ** 14 C2 ** 16 C2 ** 20 C2 ** 22 C2 ** 21 C2

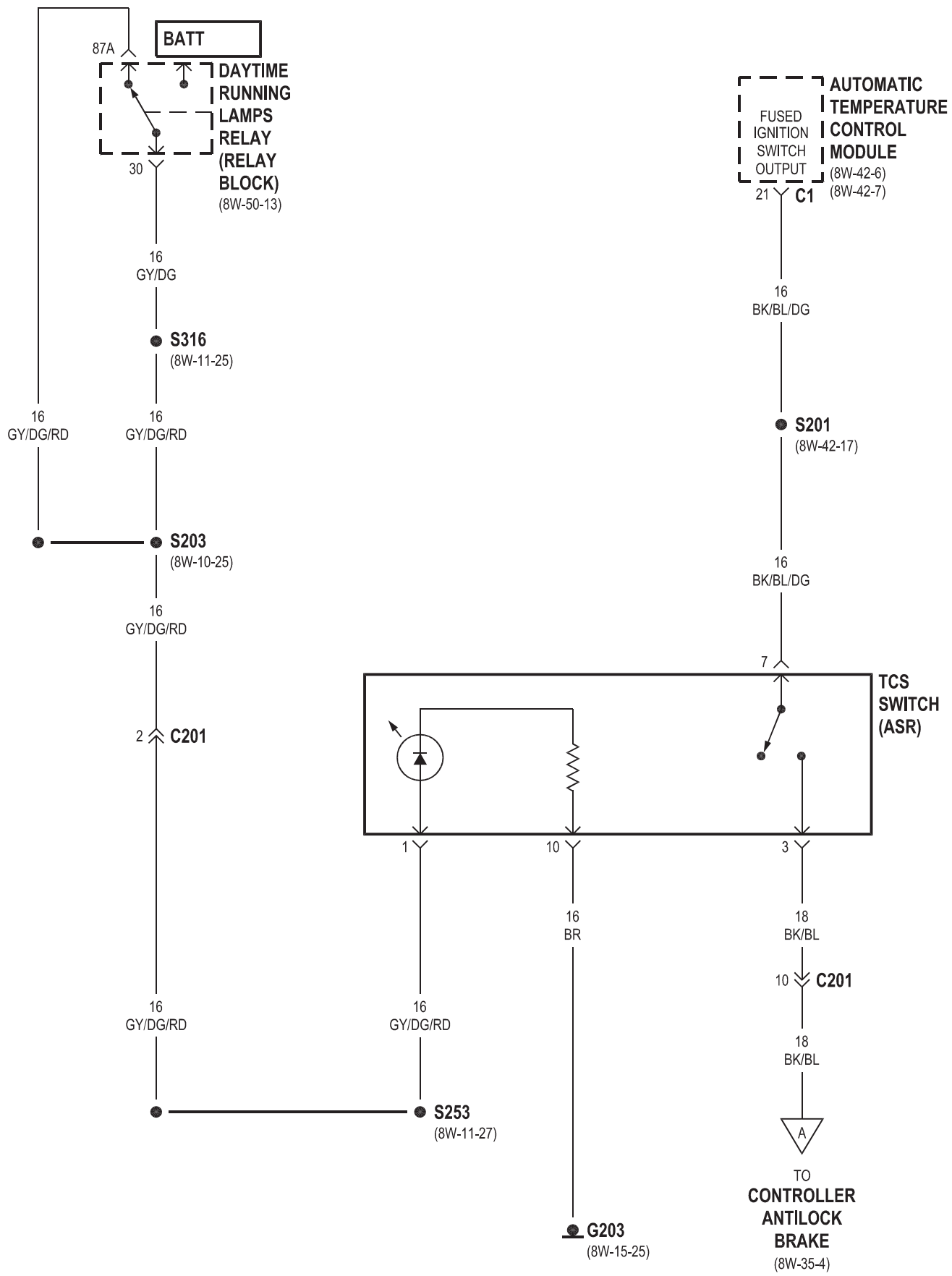
S/C SWITCH 12 VOLT SUPPLY ACCEL/SET SIGNAL DECEL/SET SIGNAL RESUME SIGNAL OFF SIGNAL VERIFICATION SIGNAL

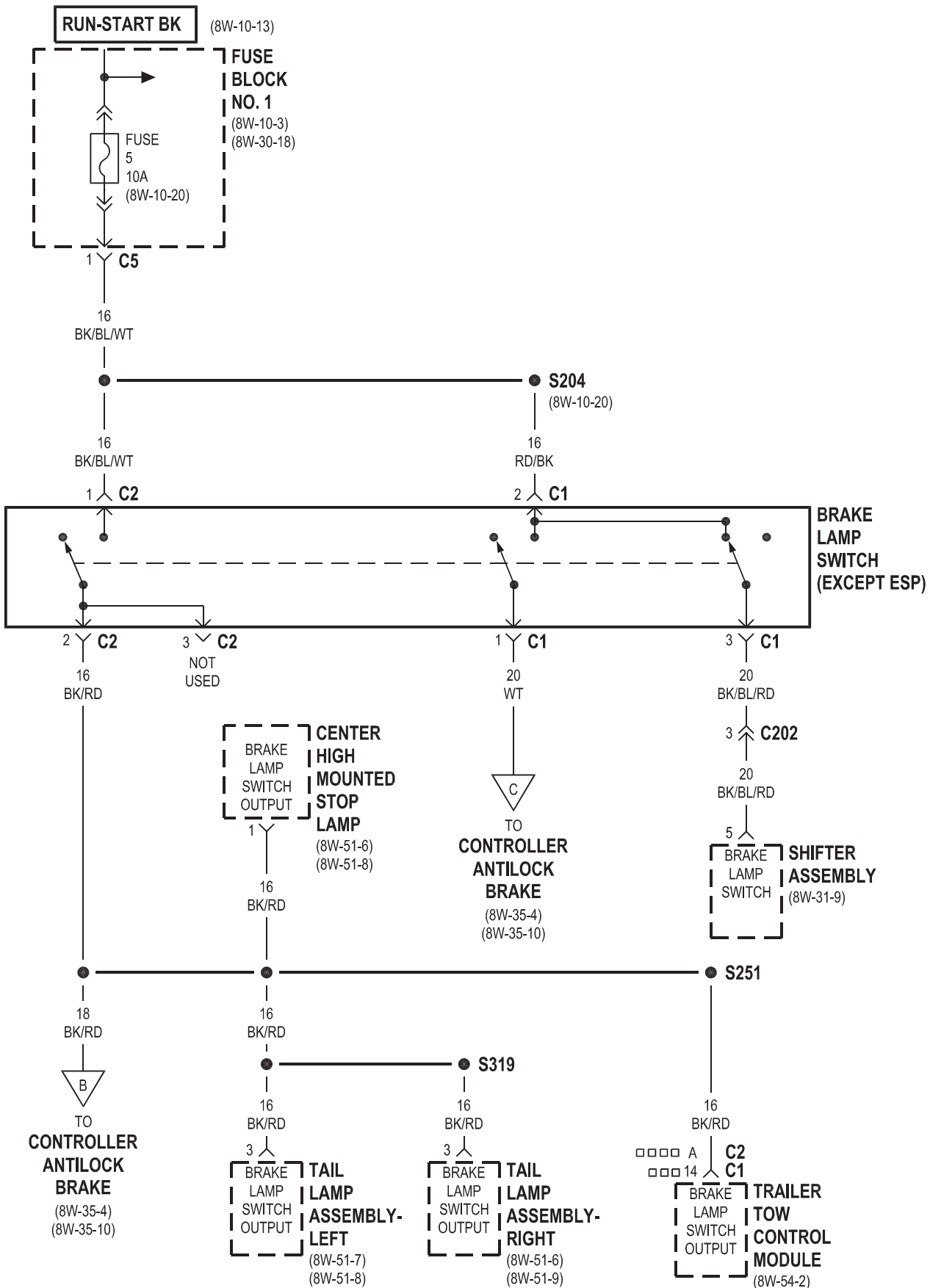
**ENGINE
CONTROL
MODULE
(8W-30-12)**

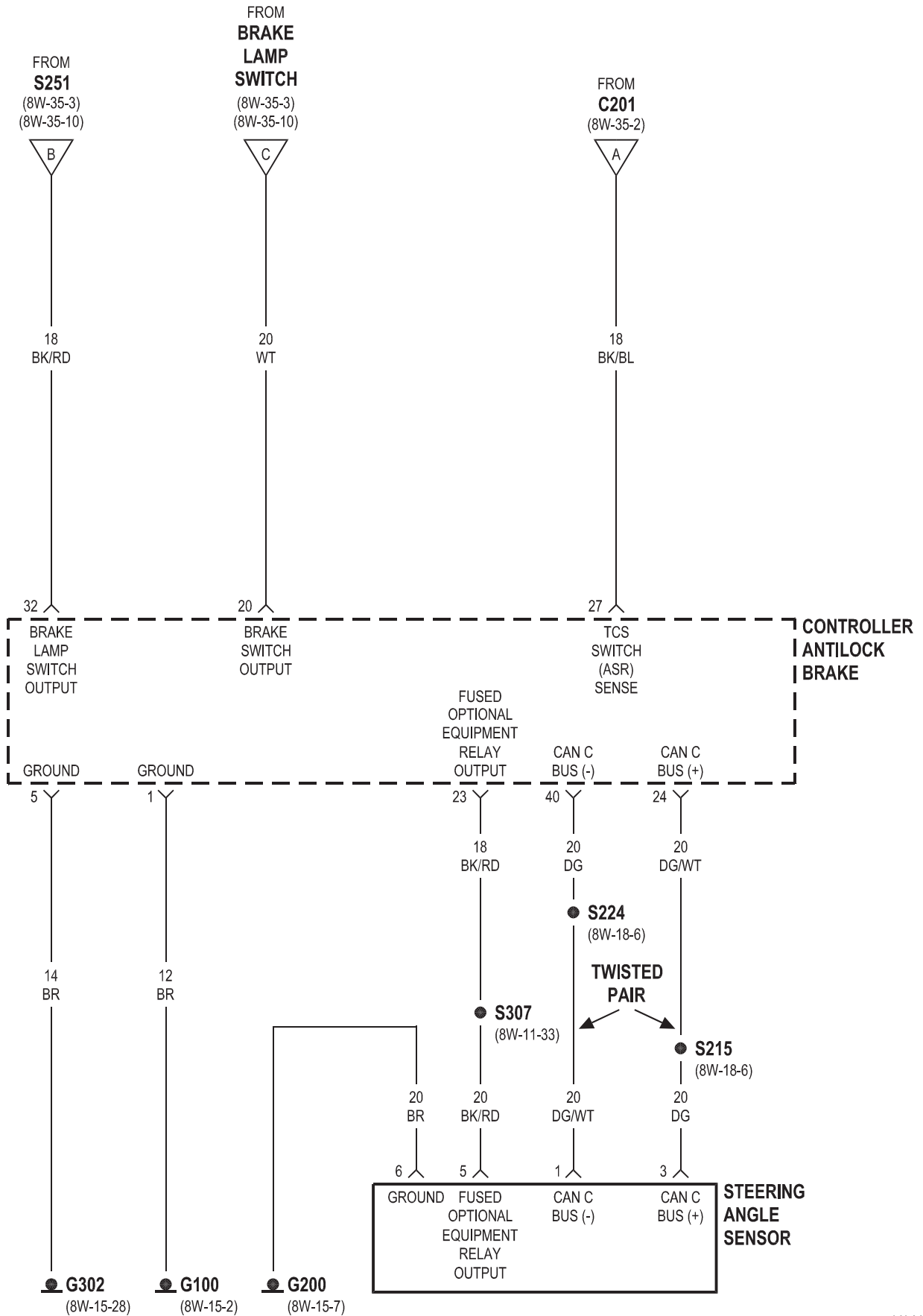
* OBD
 ** EXCEPT OBD

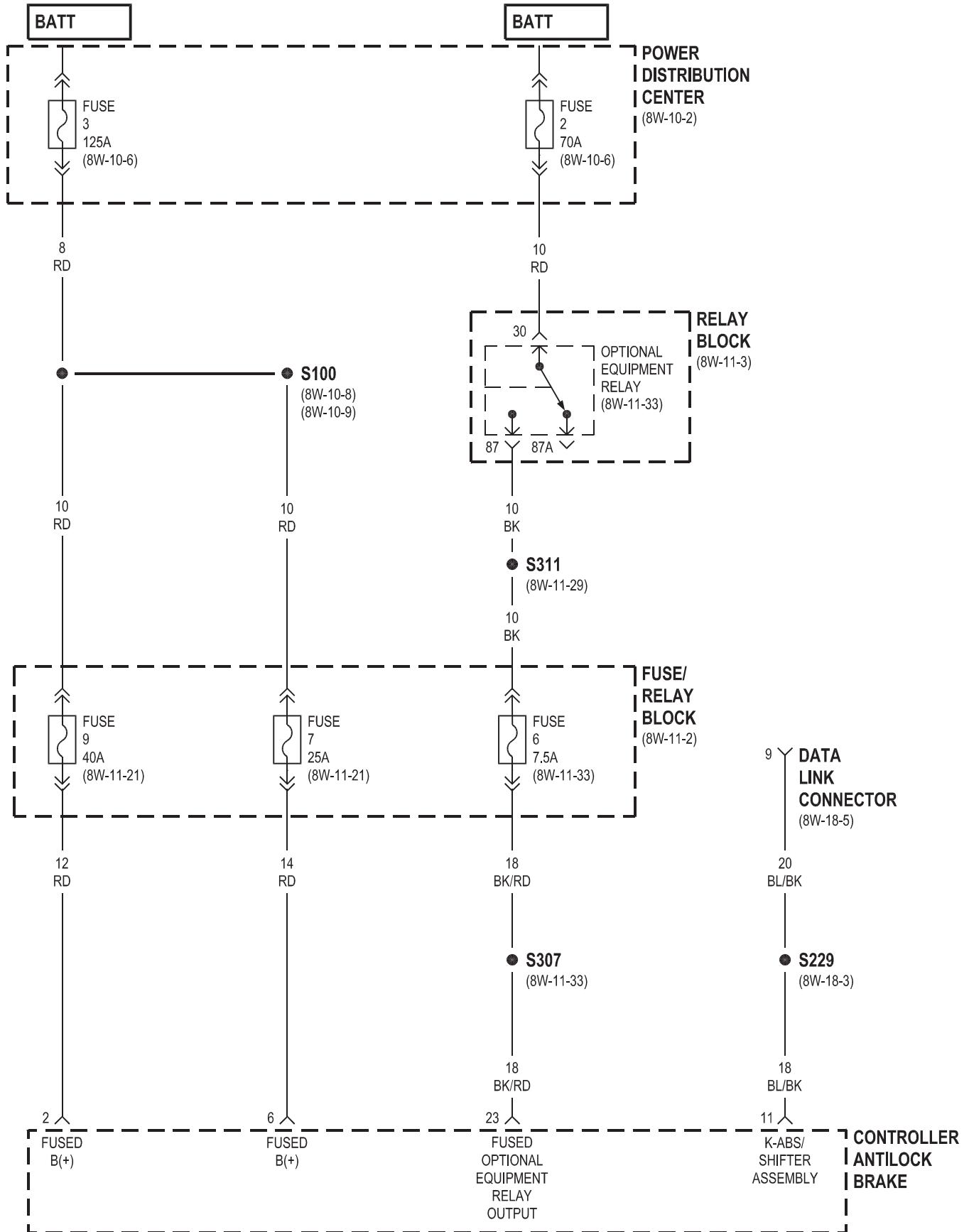
8W-35 ANTILOCK BRAKES

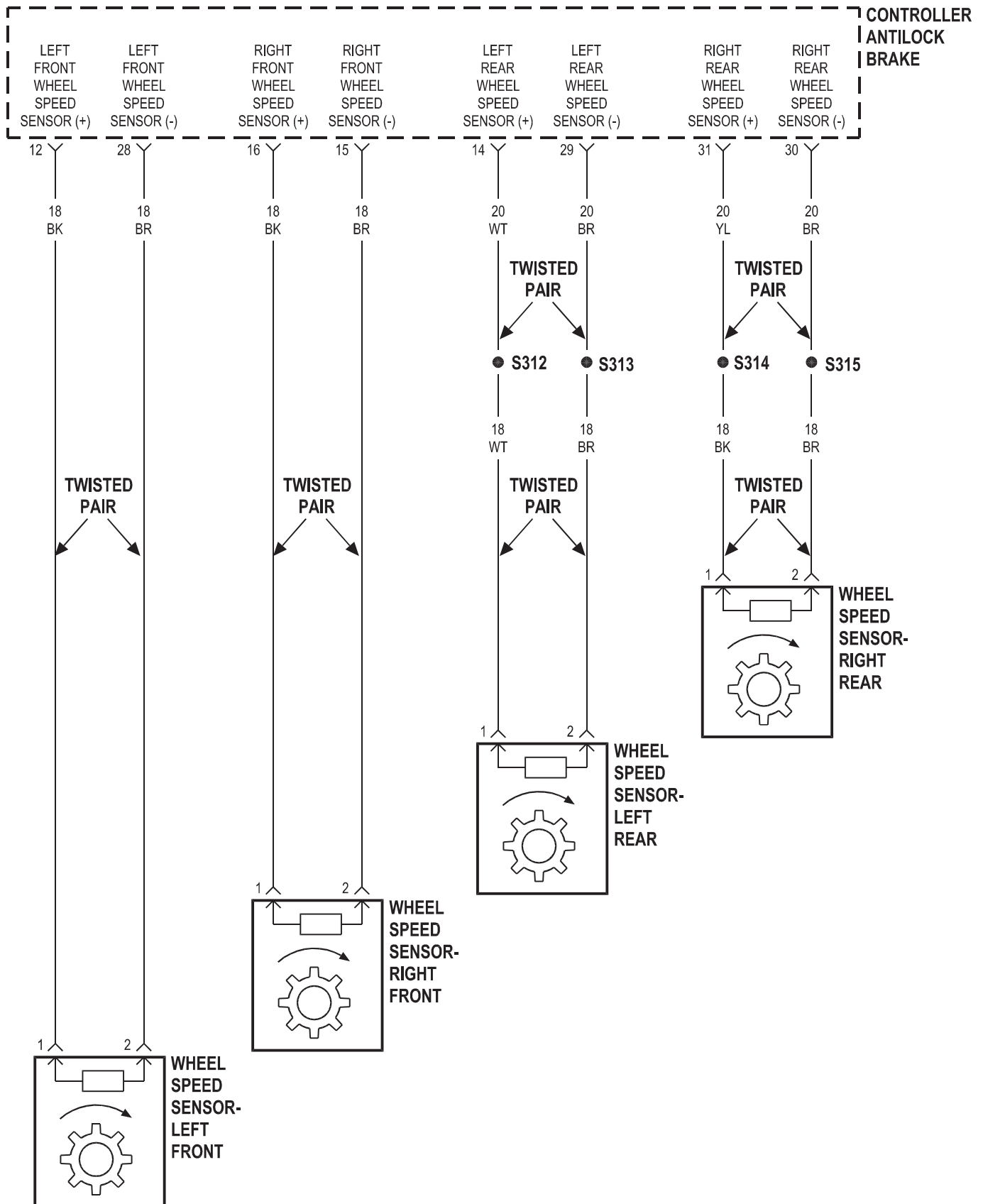
Component	Page	Component	Page
Automatic Temperature Control Module . . .	8W-35-2	G200	8W-35-4, 7, 8
Brake Fluid Level Switch	8W-35-7	G202	8W-35-7
Brake Lamp Switch	8W-35-3, 4	G203	8W-35-2
Brake Lamp Switch 4 Pole	8W-35-10	G300	8W-35-8
Brake Pressure Sensor	8W-35-9	G302	8W-35-4
Brake Wear Sensor-Left Front	8W-35-8	Instrument Cluster	8W-35-7, 8
Brake Wear Sensor-Left Rear	8W-35-8	Lateral Acceleration Sensor	8W-35-9
Brake Wear Sensor-Right Front	8W-35-8	Optional Equipment Relay	8W-35-5
Brake Wear Sensor-Right Rear	8W-35-8	Parking Brake Switch	8W-35-7
Center High Mounted Stop Lamp	8W-35-3, 10	Power Distribution Center	8W-35-5
Controller Antilock Brake	8W-35-2, 3, 4, 5, 6, 9, 10	Relay Block	8W-35-5
Data Link Connector	8W-35-5	Shifter Assembly	8W-35-3
Daytime Running Lamps Relay	8W-35-2	Steering Angle Sensor	8W-35-4
Fuse 2	8W-35-5	TCS Switch	8W-35-2
Fuse 3	8W-35-5	Tail Lamp Assembly-Left	8W-35-3, 10
Fuse 5	8W-35-3, 10	Tail Lamp Assembly-Right	8W-35-3, 10
Fuse 6	8W-35-5	Trailer Tow Control Module	8W-35-3, 10
Fuse 7	8W-35-5	Wheel Speed Sensor-Left Front	8W-35-6
Fuse 9	8W-35-5	Wheel Speed Sensor-Left Rear	8W-35-6
Fuse Block No. 1	8W-35-3, 10	Wheel Speed Sensor-Right Front	8W-35-6
Fuse/Relay Block	8W-35-5	Wheel Speed Sensor-Right Rear	8W-35-6
G100	8W-35-4		

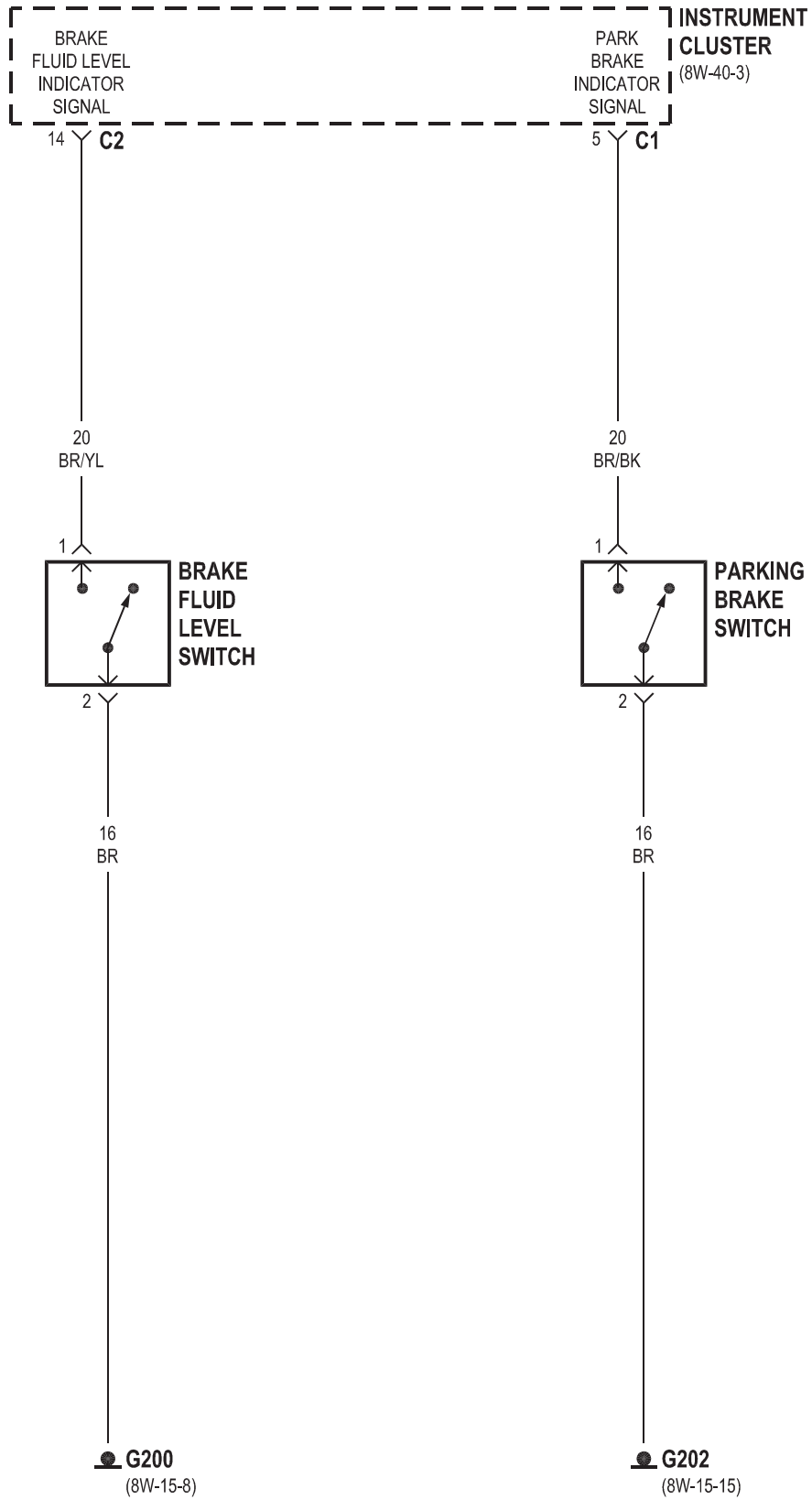


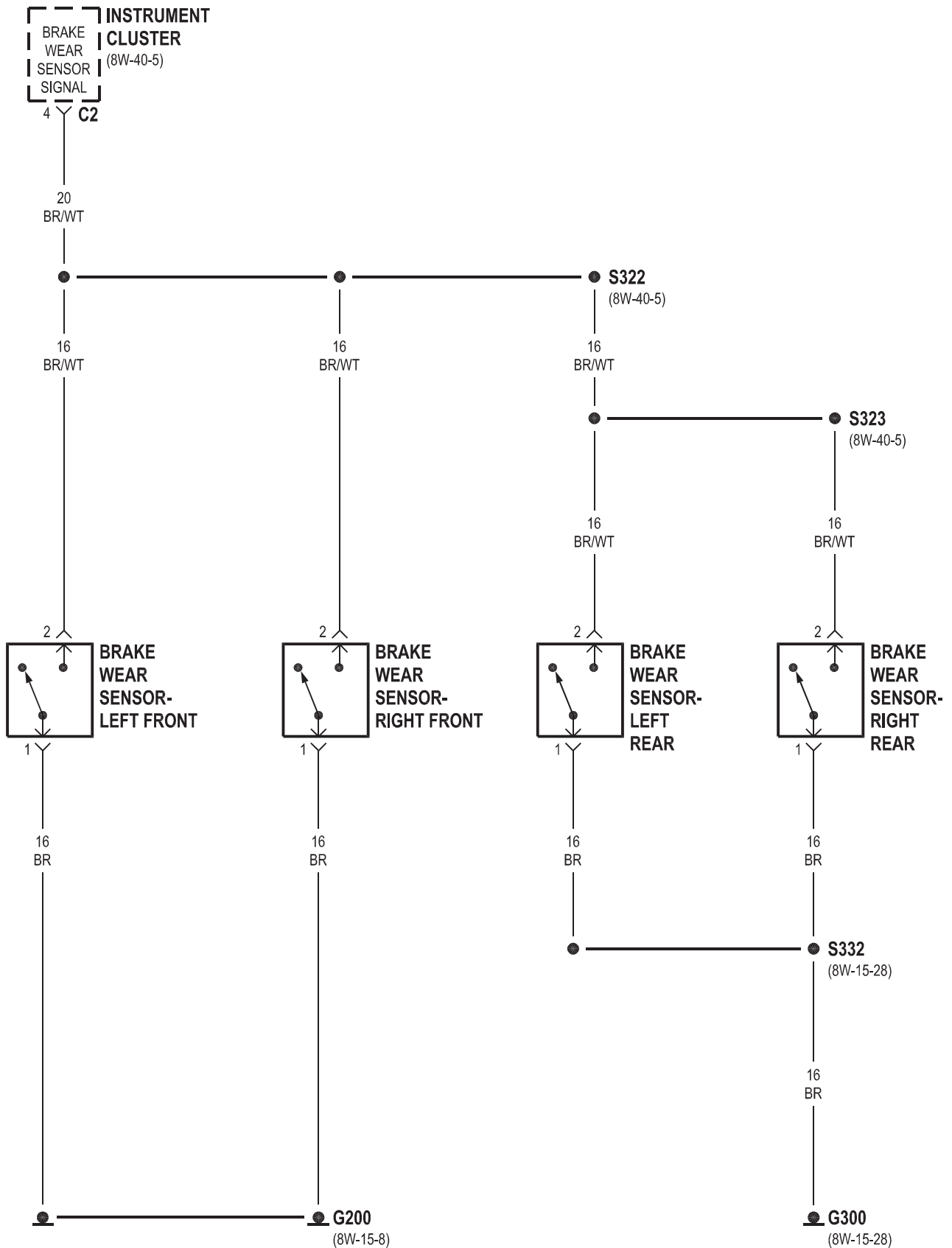


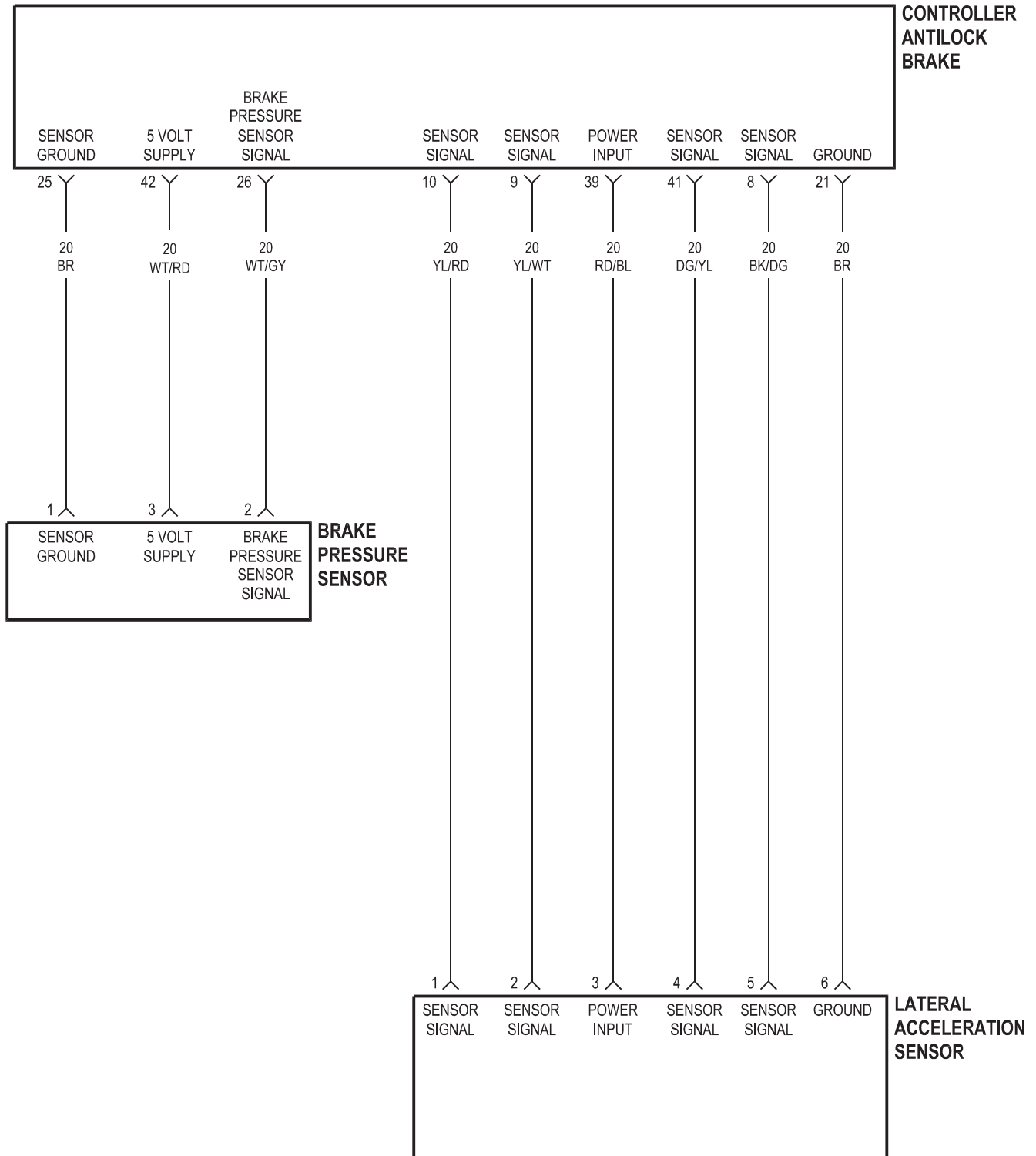


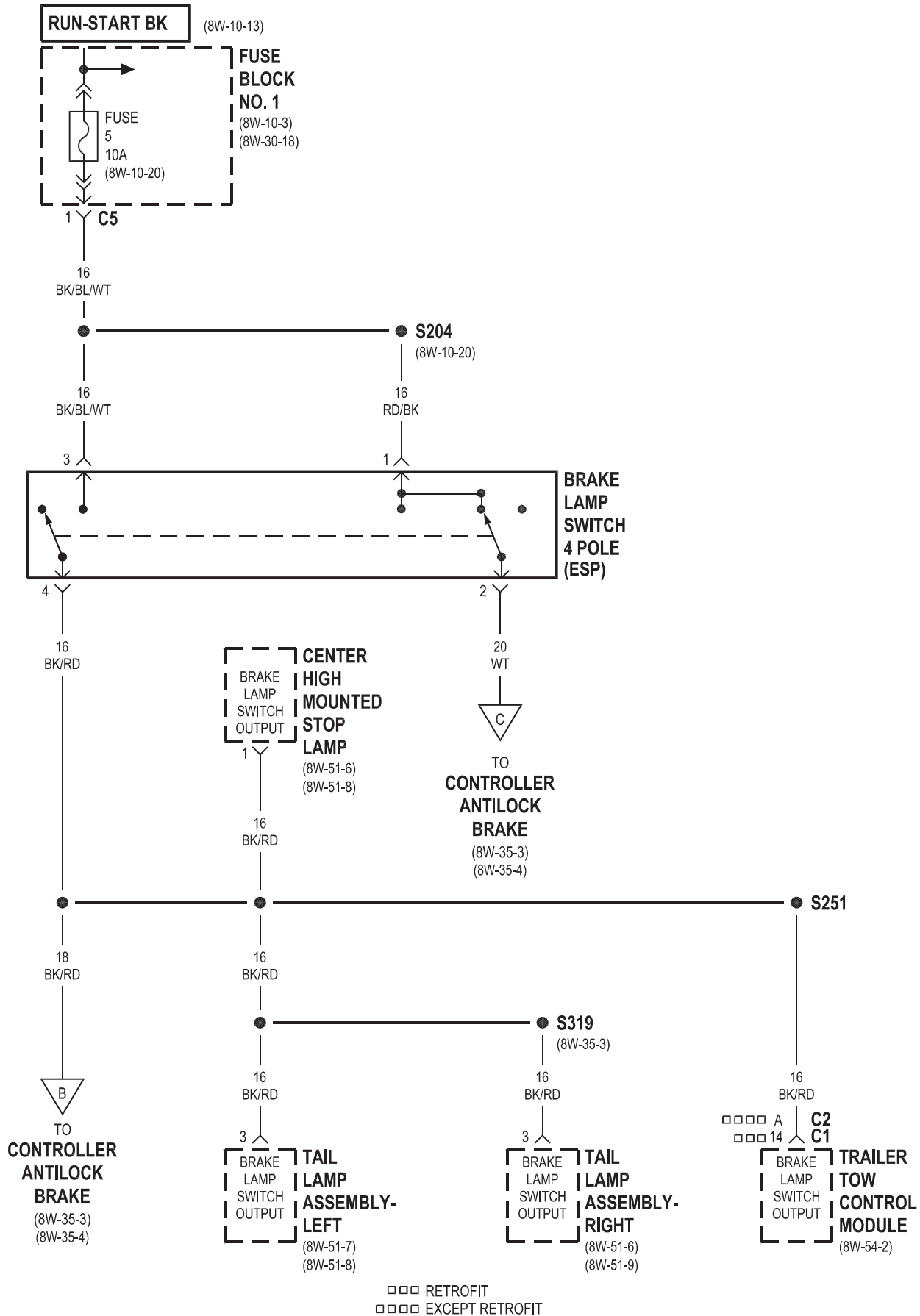








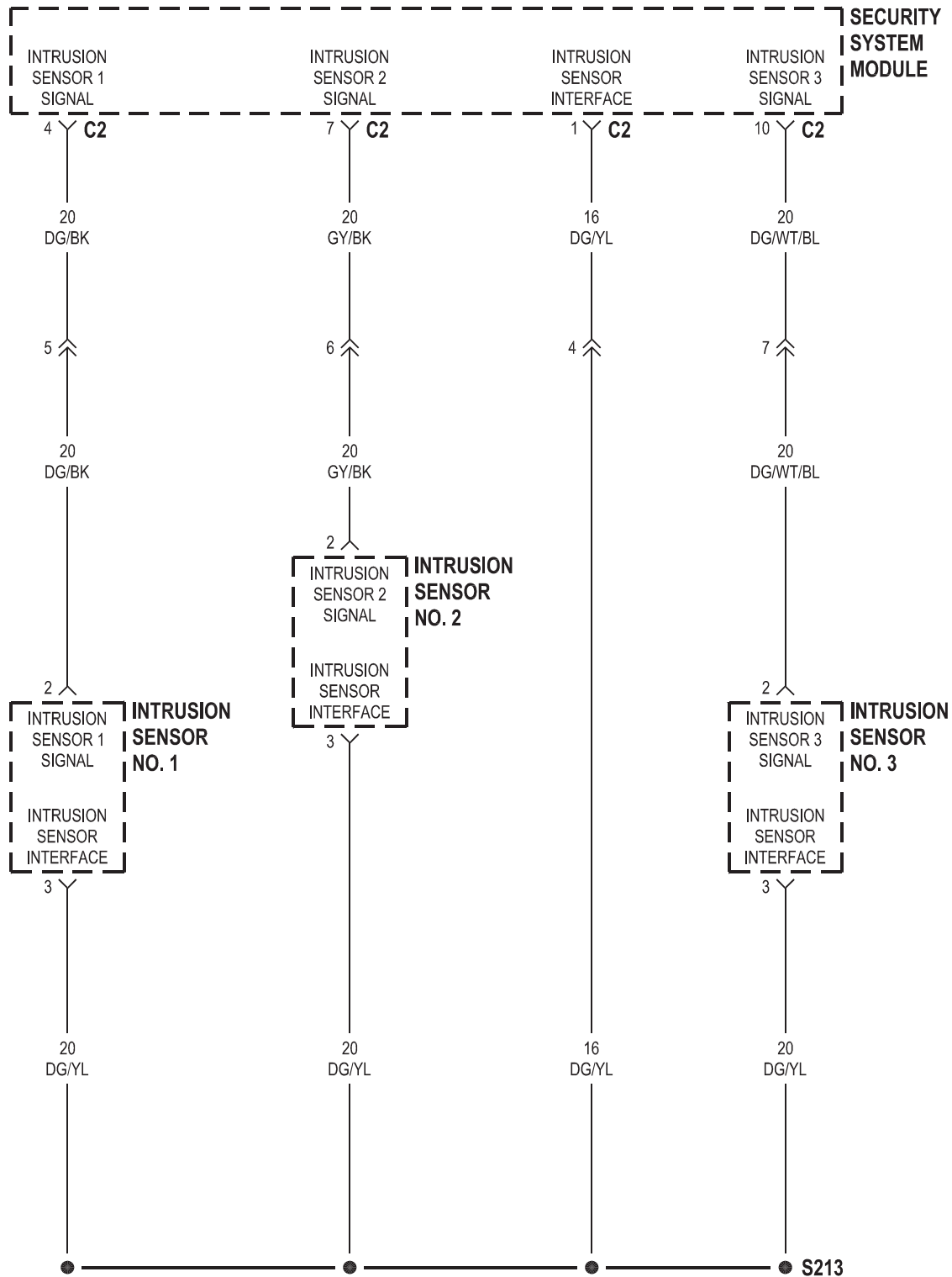


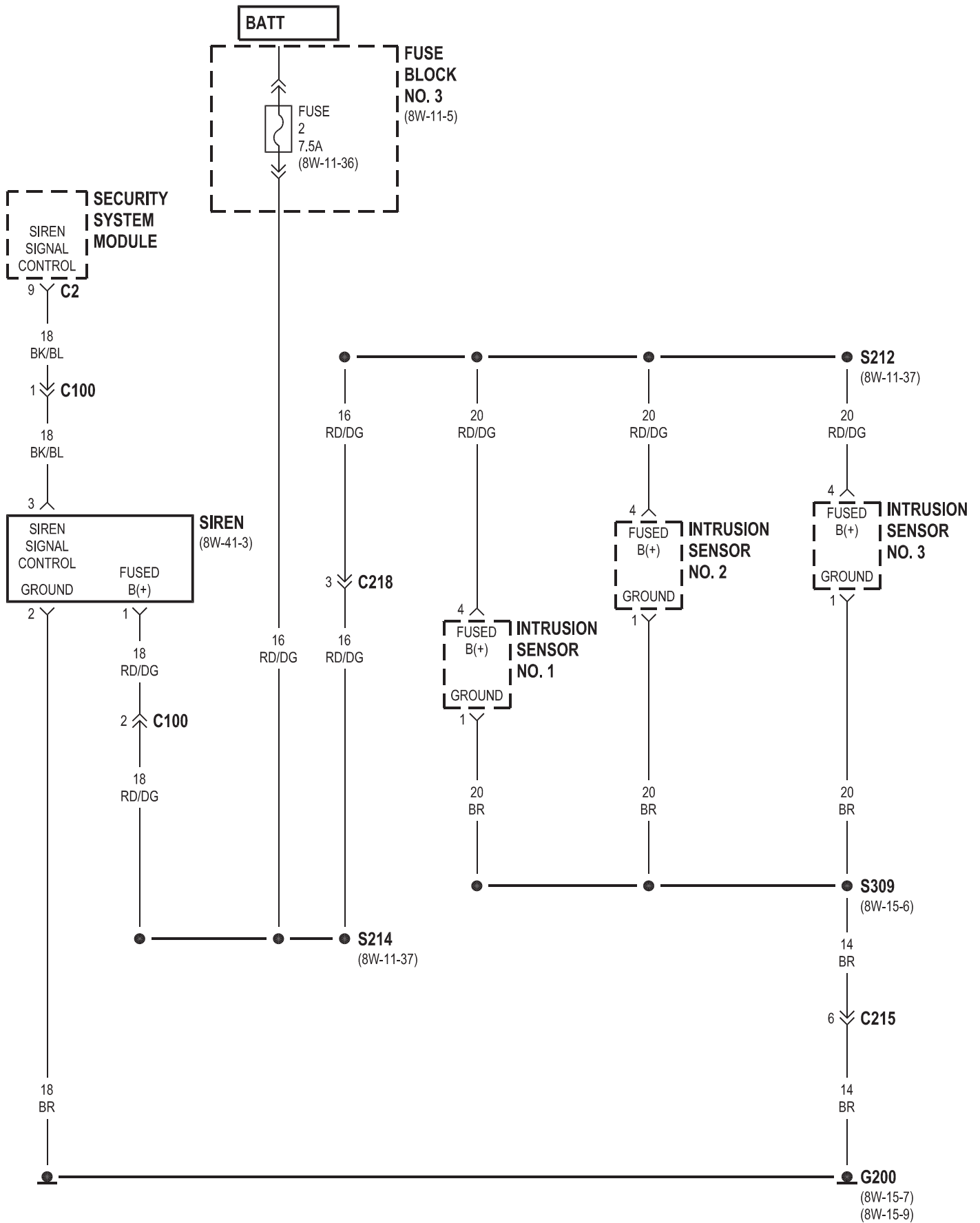


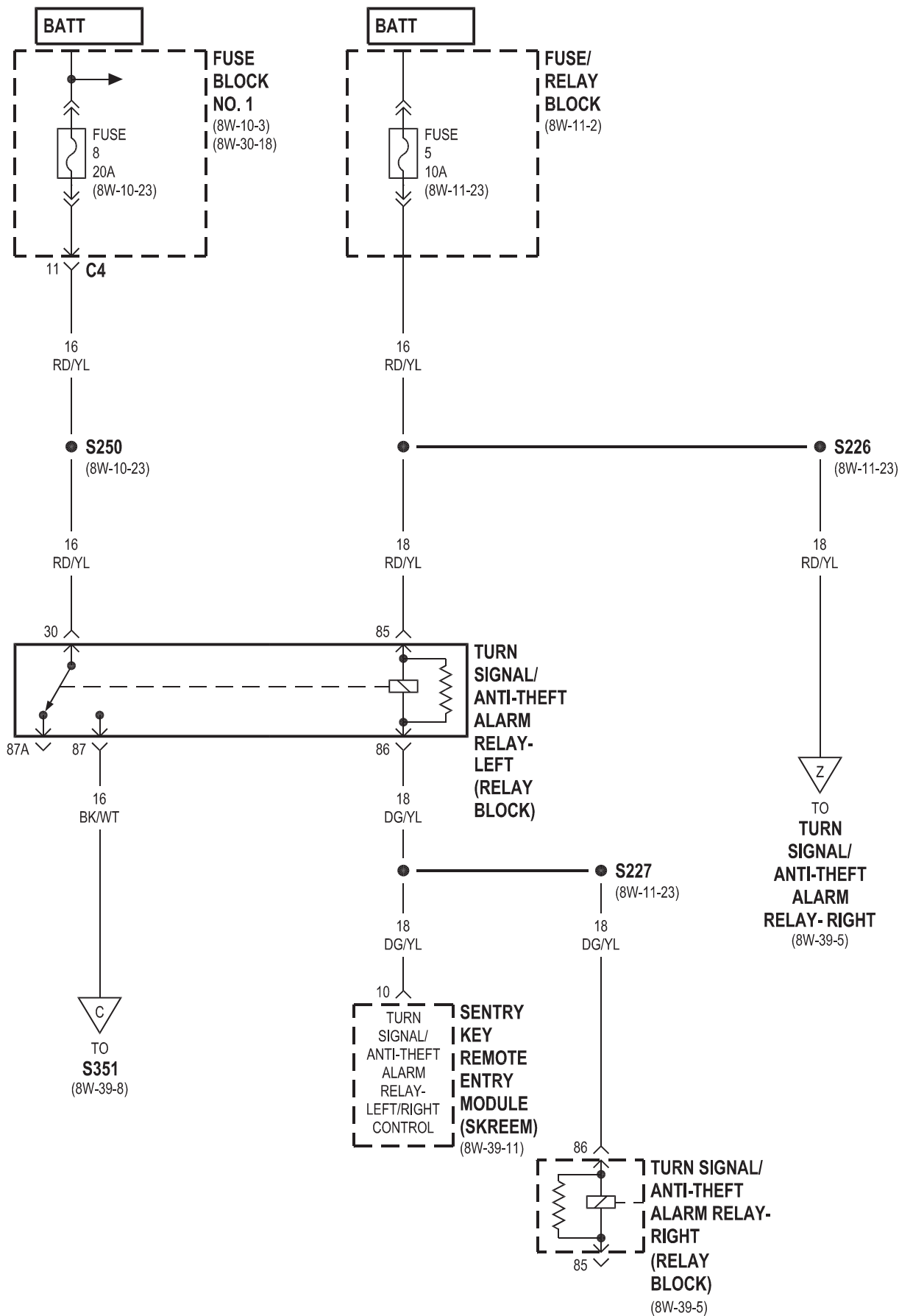
8W-39 VEHICLE THEFT SECURITY SYSTEM

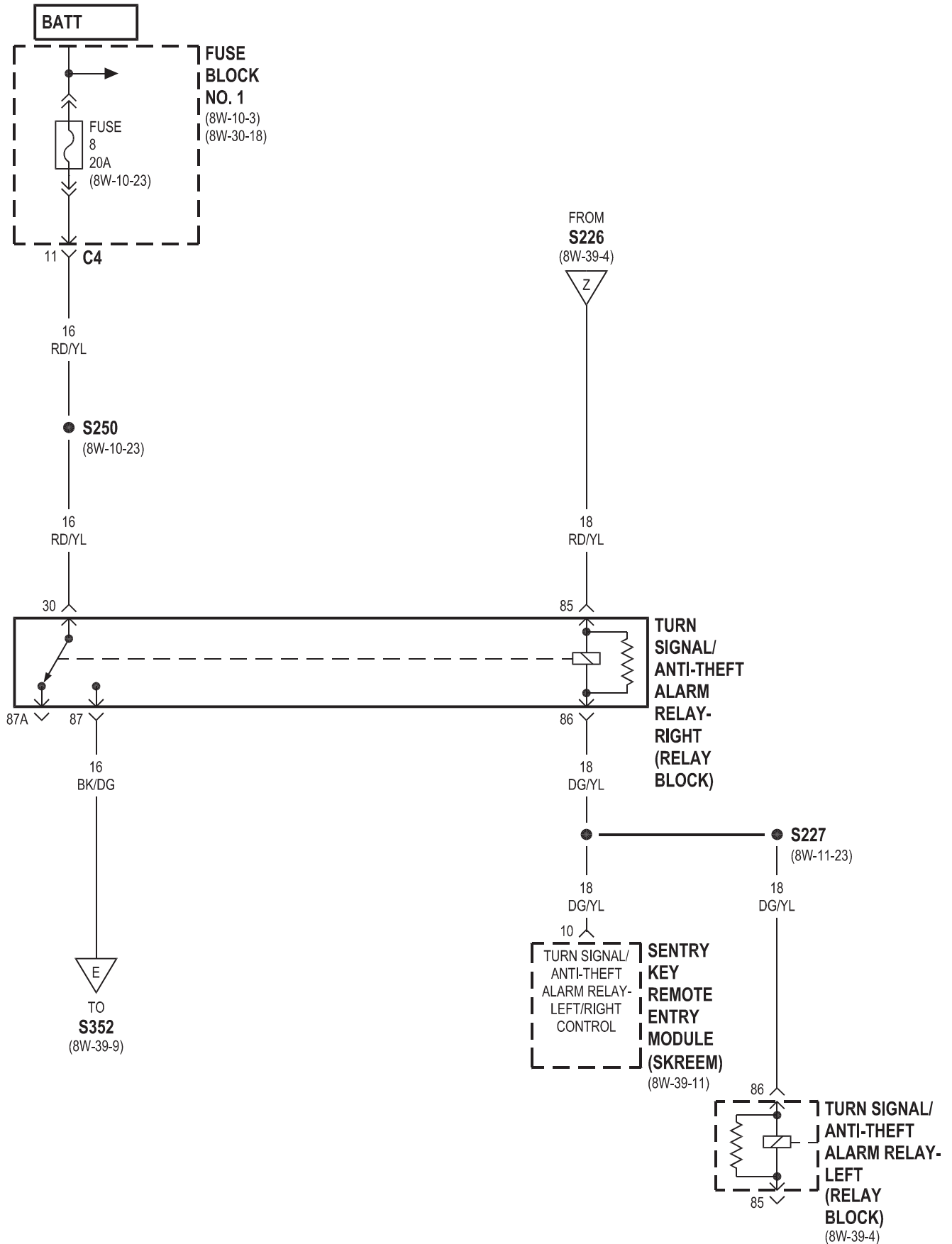
Component	Page
Central Timer Module	8W-39-6, 12
Cylinder Lock Switch-Driver	8W-39-6
D+ Relay No. 1	8W-39-14
Data Link Connector	8W-39-7, 10
Door Jamb Switch-Left Sliding	8W-39-14
Door Jamb Switch-Rear	8W-39-14
Door Jamb Switch-Right Sliding	8W-39-14
Fuse 2	8W-39-3, 13
Fuse 5	8W-39-4, 11
Fuse 7	8W-39-10
Fuse 8	8W-39-4, 5
Fuse 9	8W-39-14
Fuse 10	8W-39-13
Fuse 14	8W-39-13
Fuse Block No. 1	8W-39-4, 5, 10
Fuse Block No. 2	8W-39-14
Fuse Block No. 3	8W-39-3, 13
Fuse/Relay Block	8W-39-4, 11, 13
G101	8W-39-6
G200	8W-39-3, 6, 10
G202	8W-39-13
G203	8W-39-7
Headlamp Assembly-Left	8W-39-8
Headlamp Assembly-Right	8W-39-9
Hood Ajar Switch	8W-39-6
Instrument Cluster	8W-39-8, 9, 10, 14
Interior Lamp-Right	8W-39-14

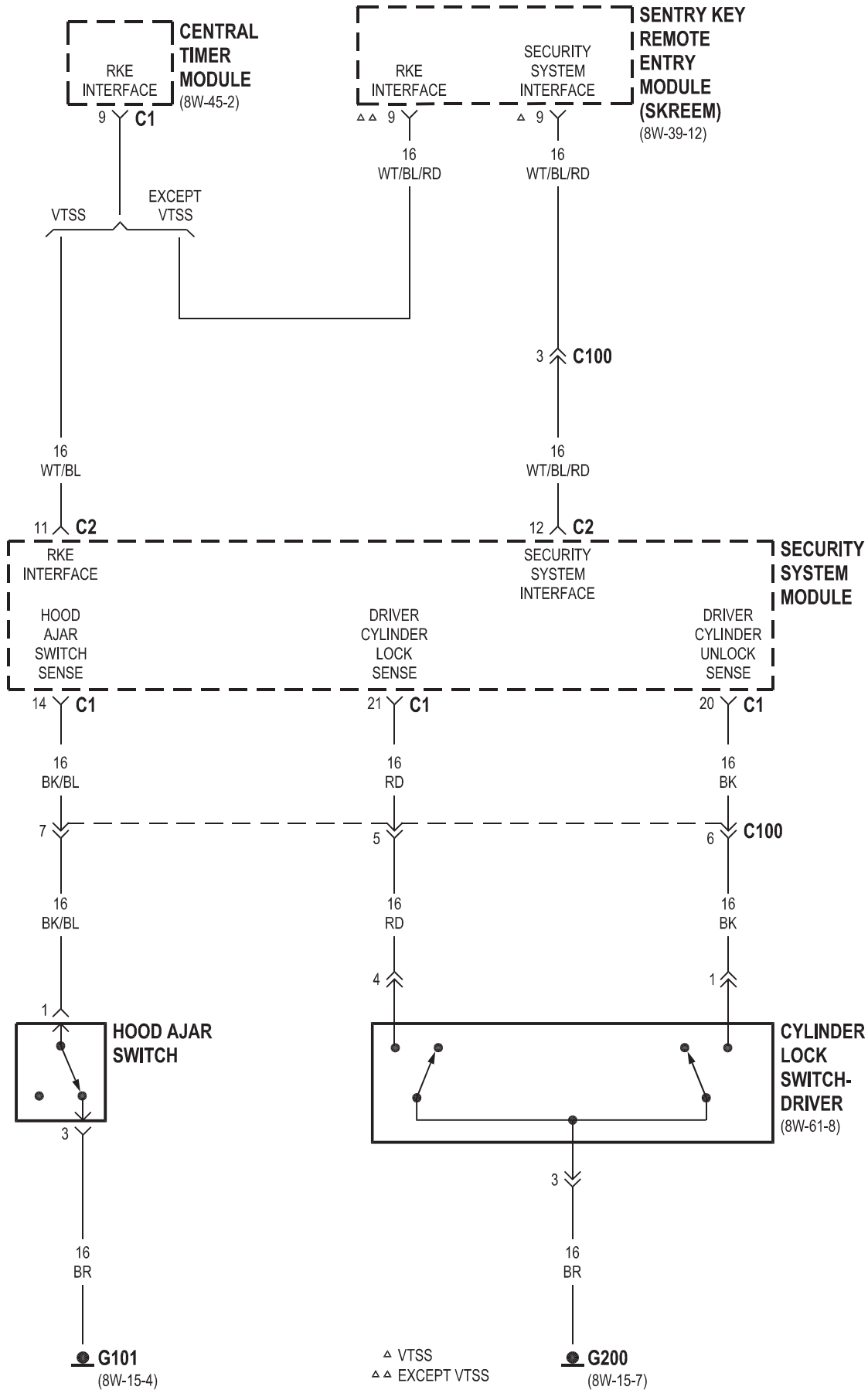
Component	Page
Intrusion Sensor No. 1	8W-39-2, 3
Intrusion Sensor No. 2	8W-39-2, 3
Intrusion Sensor No. 3	8W-39-2, 3
Optional Equipment Relay	8W-39-13
Panic Alarm Switch	8W-39-7
Rear Window Defogger Relay	8W-39-13
Relay Block	8W-39-13
SKREEM Antenna	8W-39-12
SKREEM Transponder	8W-39-12
Security System	
Module	8W-39-2, 3, 6, 7, 8, 9, 12, 13, 14
Sentry Key Remote	
Entry Module	8W-39-4, 5, 6, 8, 10, 11, 12
Siren	8W-39-3
Tail Lamp Assembly-Left	8W-39-8
Tail Lamp Assembly-Right	8W-39-9
Towing/Intrusion Sensor On/Off Switch . . .	8W-39-7
Trailer Tow Control Module	8W-39-8, 9
Turn Signal No. 1-Left Front	8W-39-8
Turn Signal No. 1-Right Front	8W-39-9
Turn Signal/Anti-Theft Alarm	
Relay-Left	8W-39-4, 5, 8, 11
Turn Signal/Anti-Theft Alarm Relay-	
Right	8W-39-4, 5, 9, 11
Warm Air Auxiliary Heater Assembly	8W-39-14
Window Defogger Module-Rear	8W-39-14

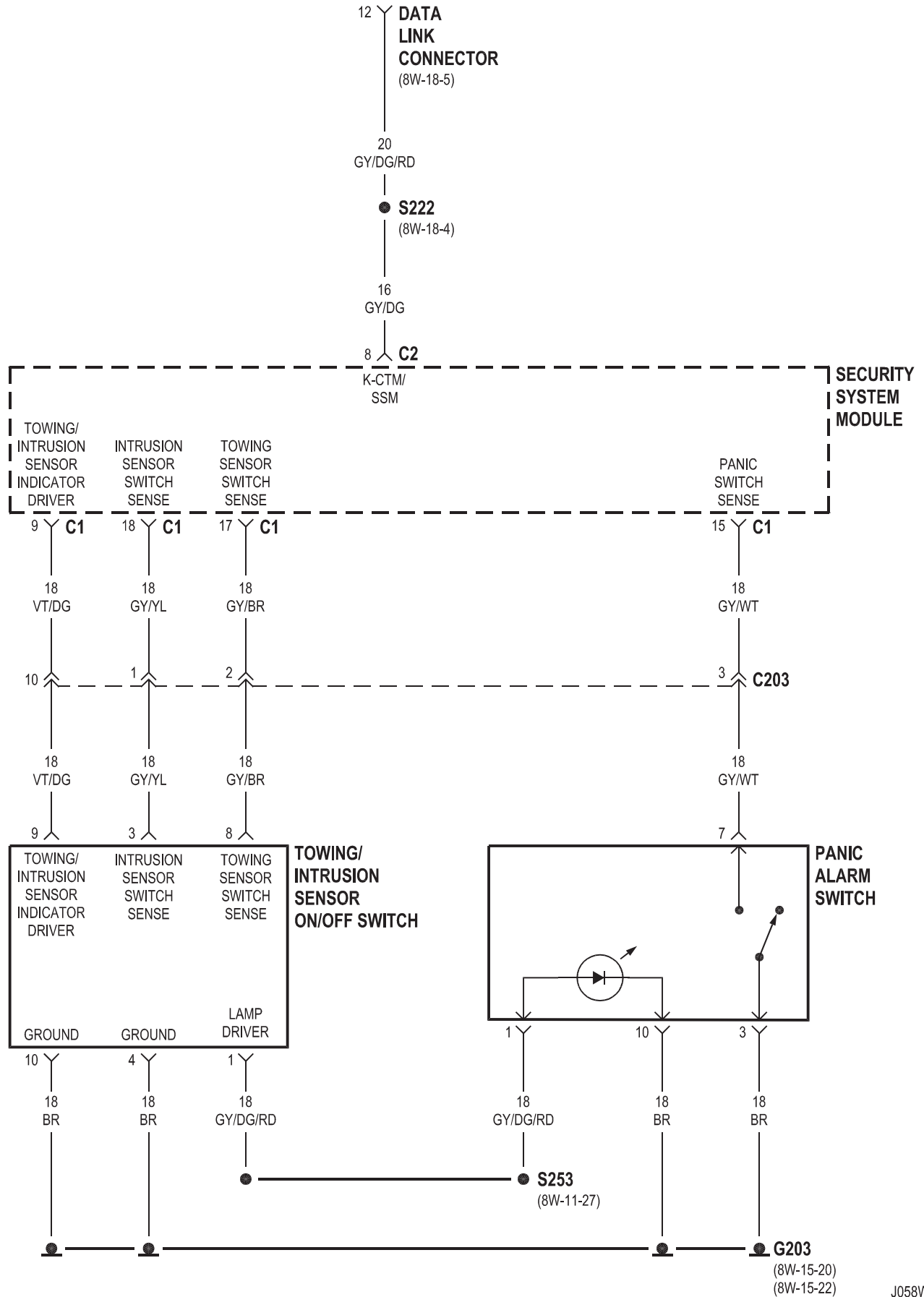


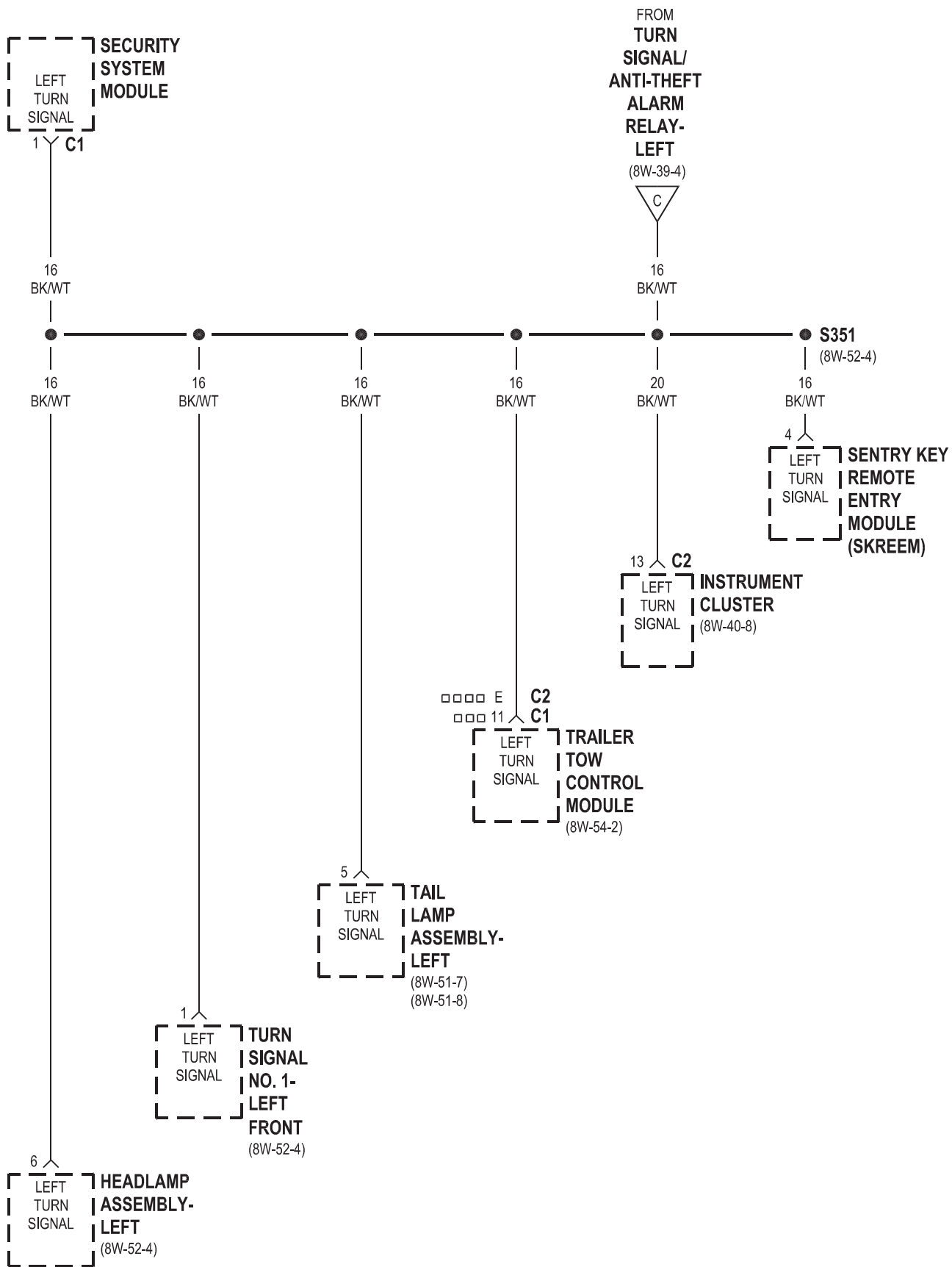




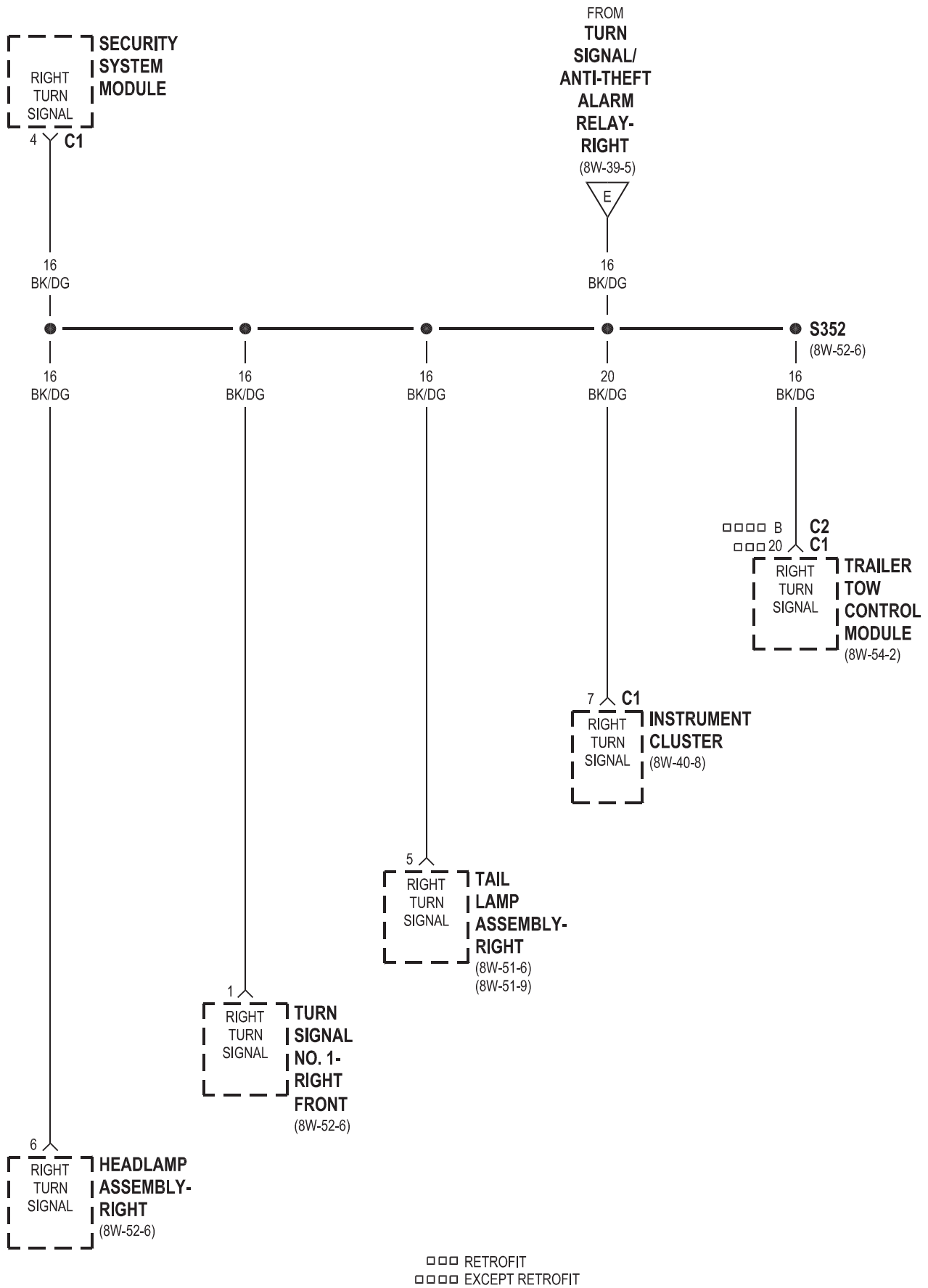


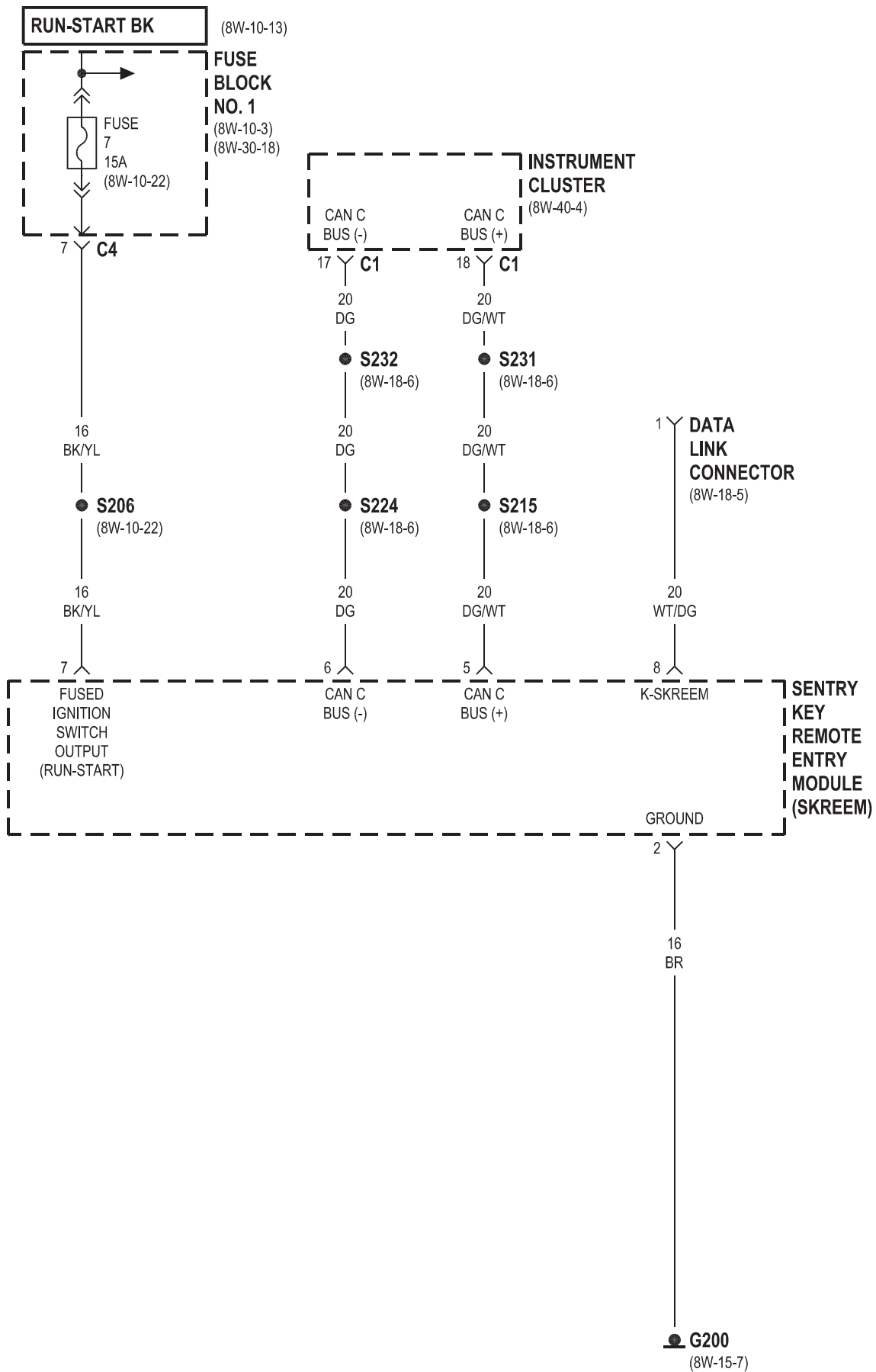


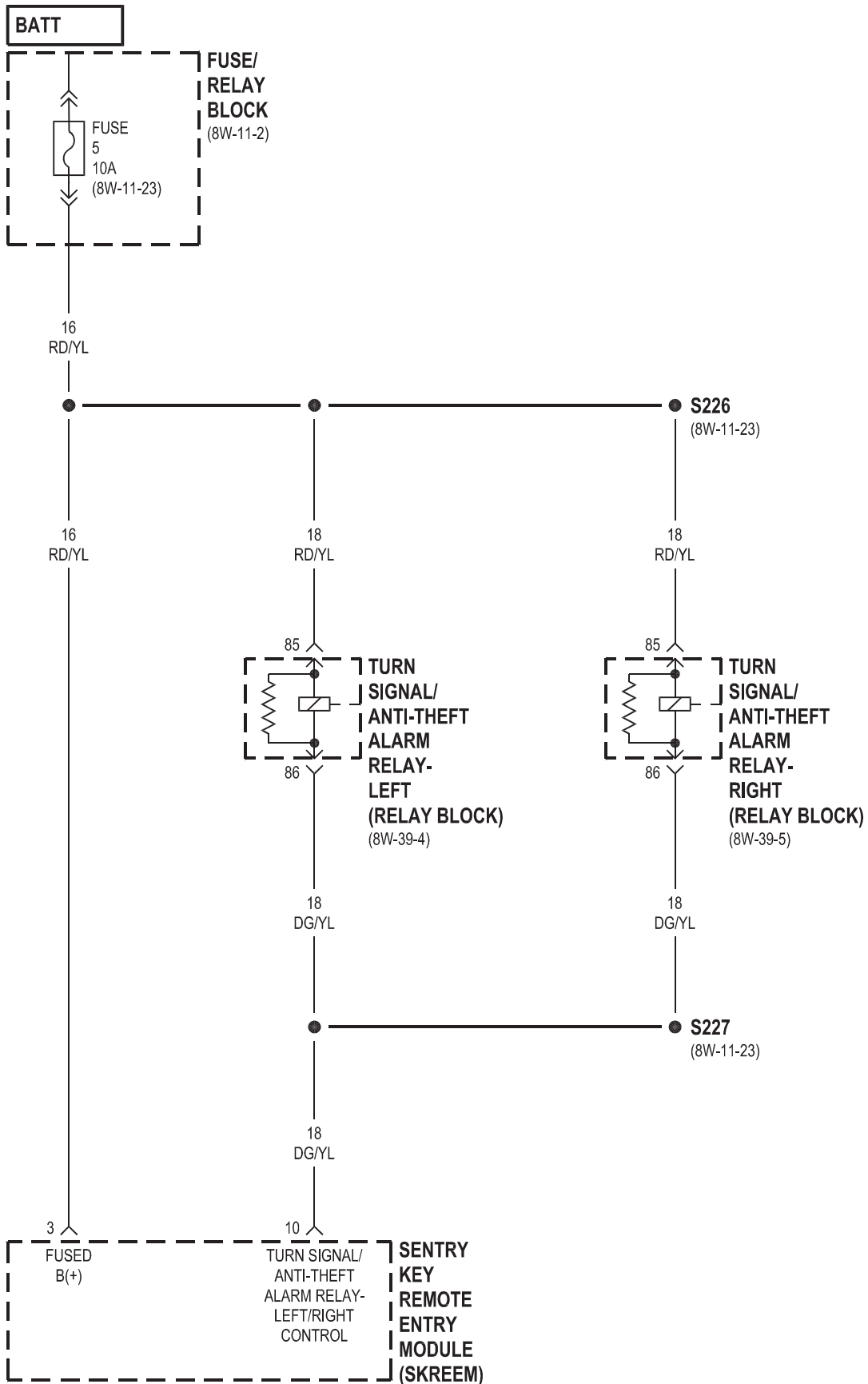


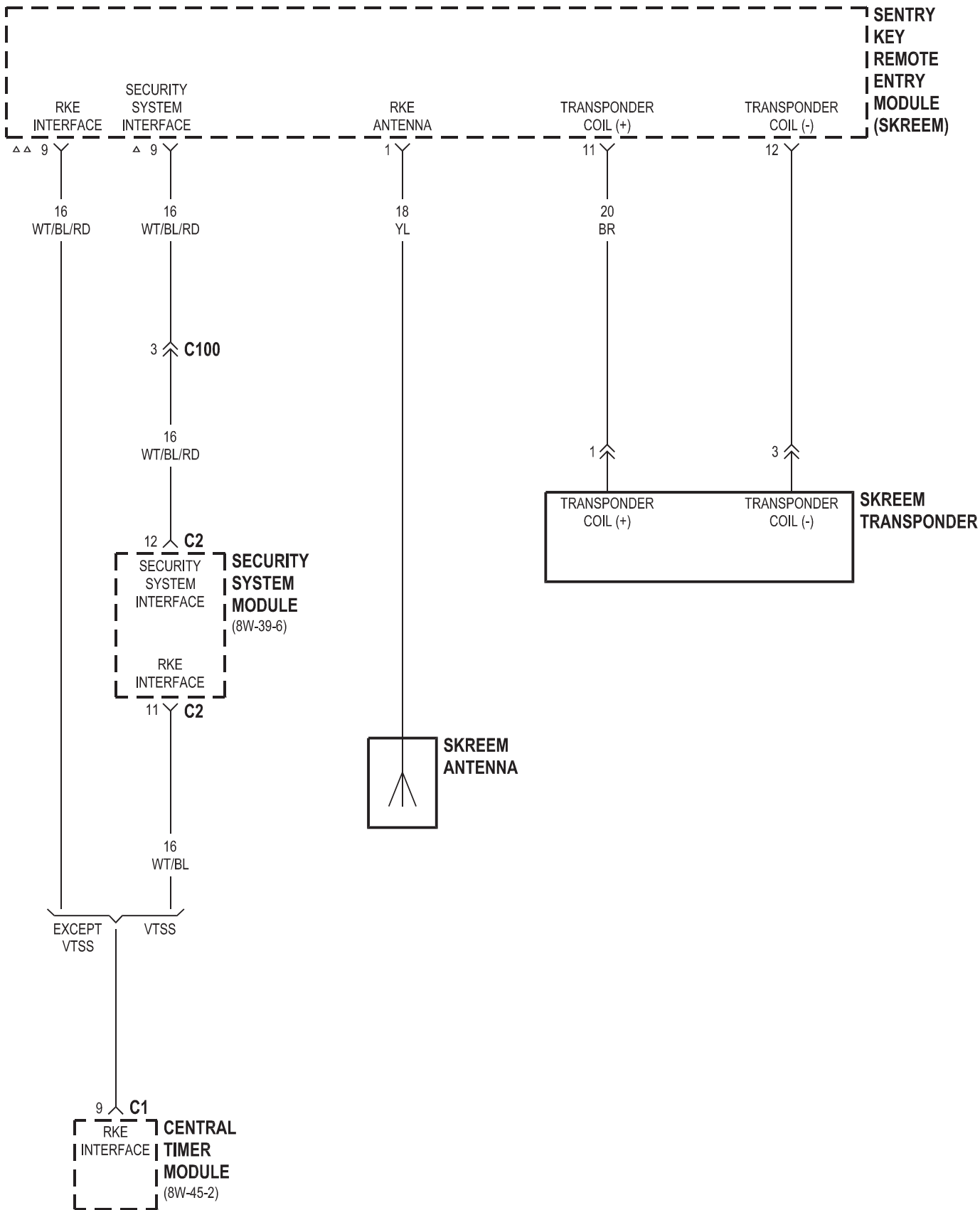


□□□ RETROFIT
 □□□□ EXCEPT RETROFIT

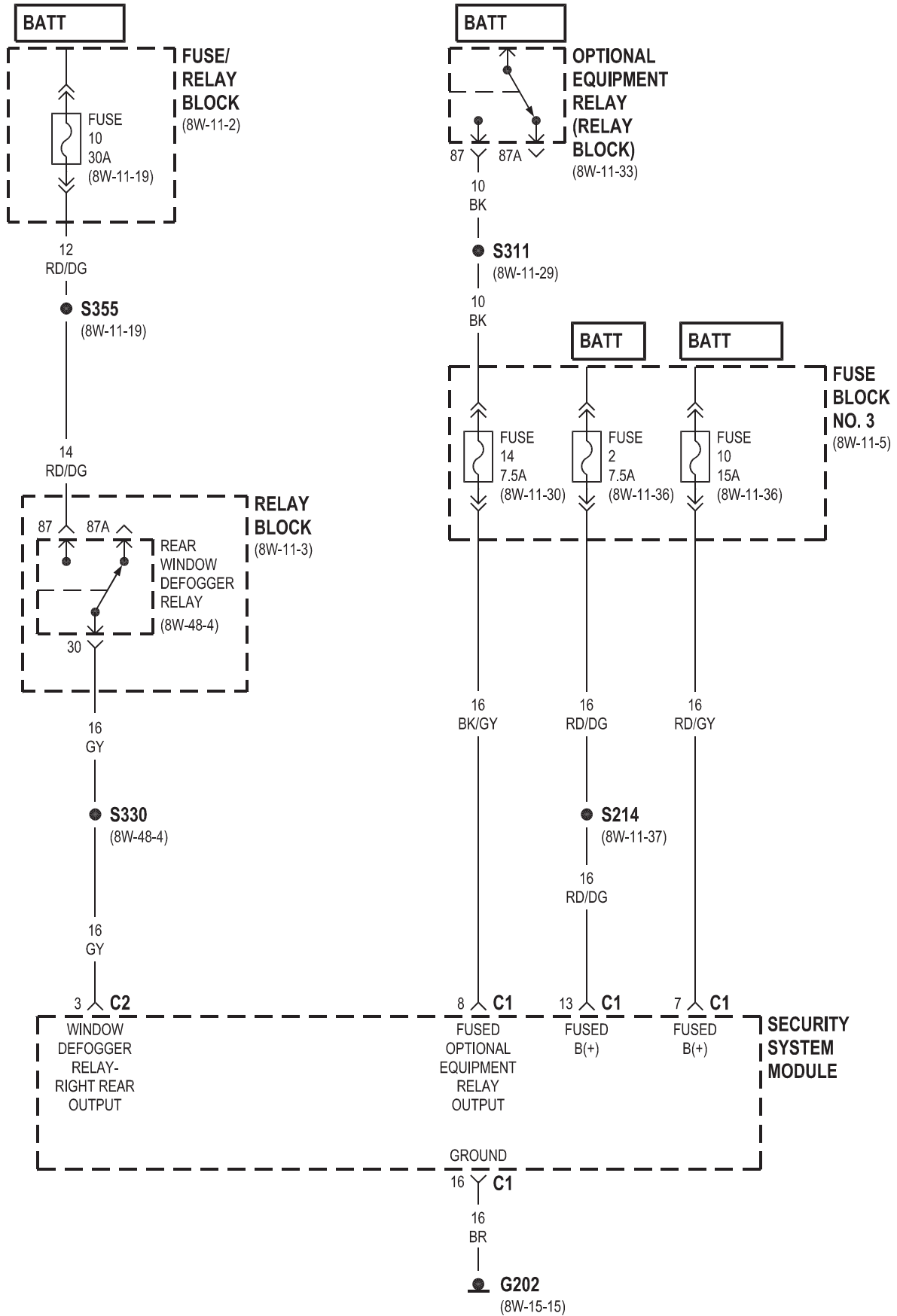


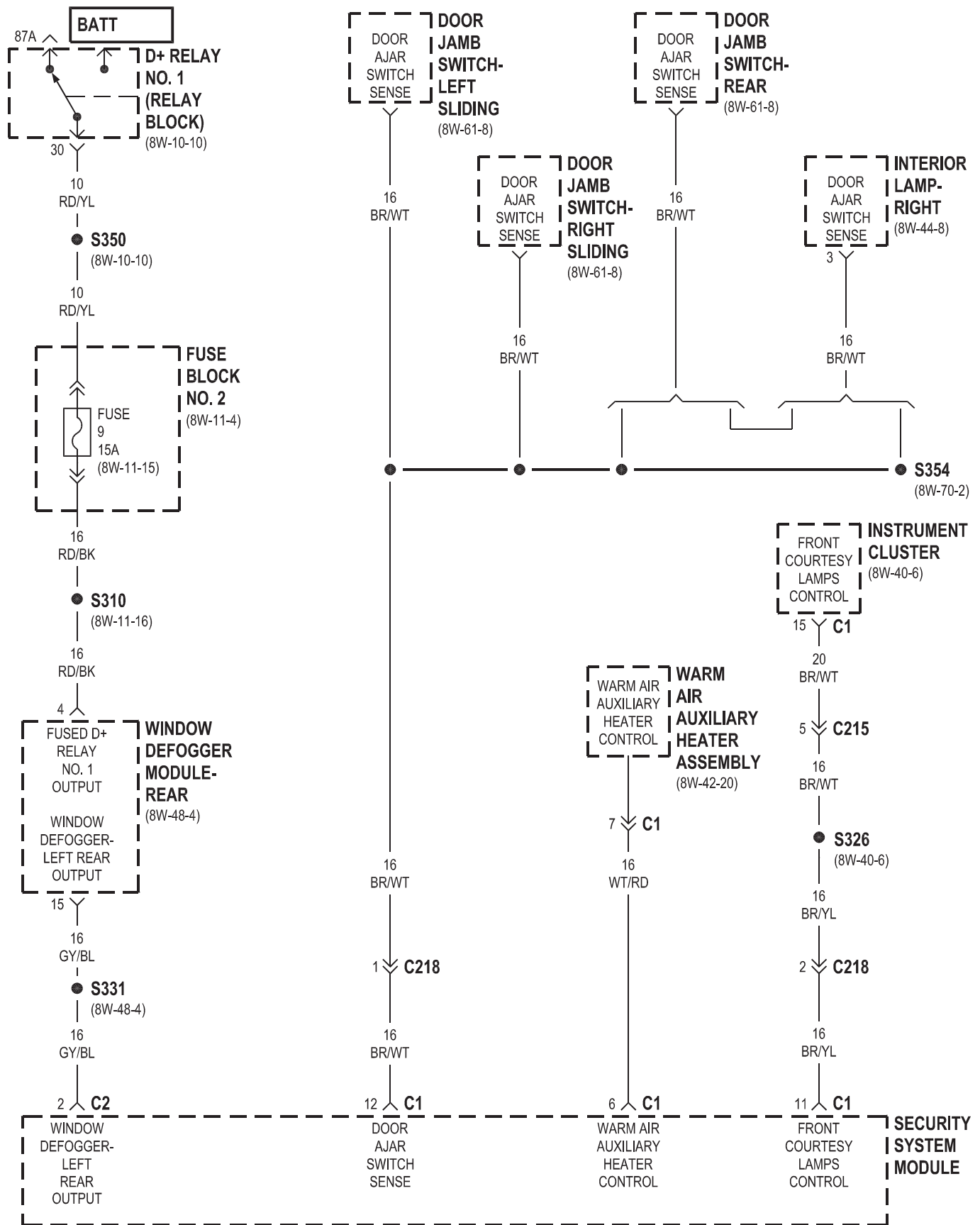






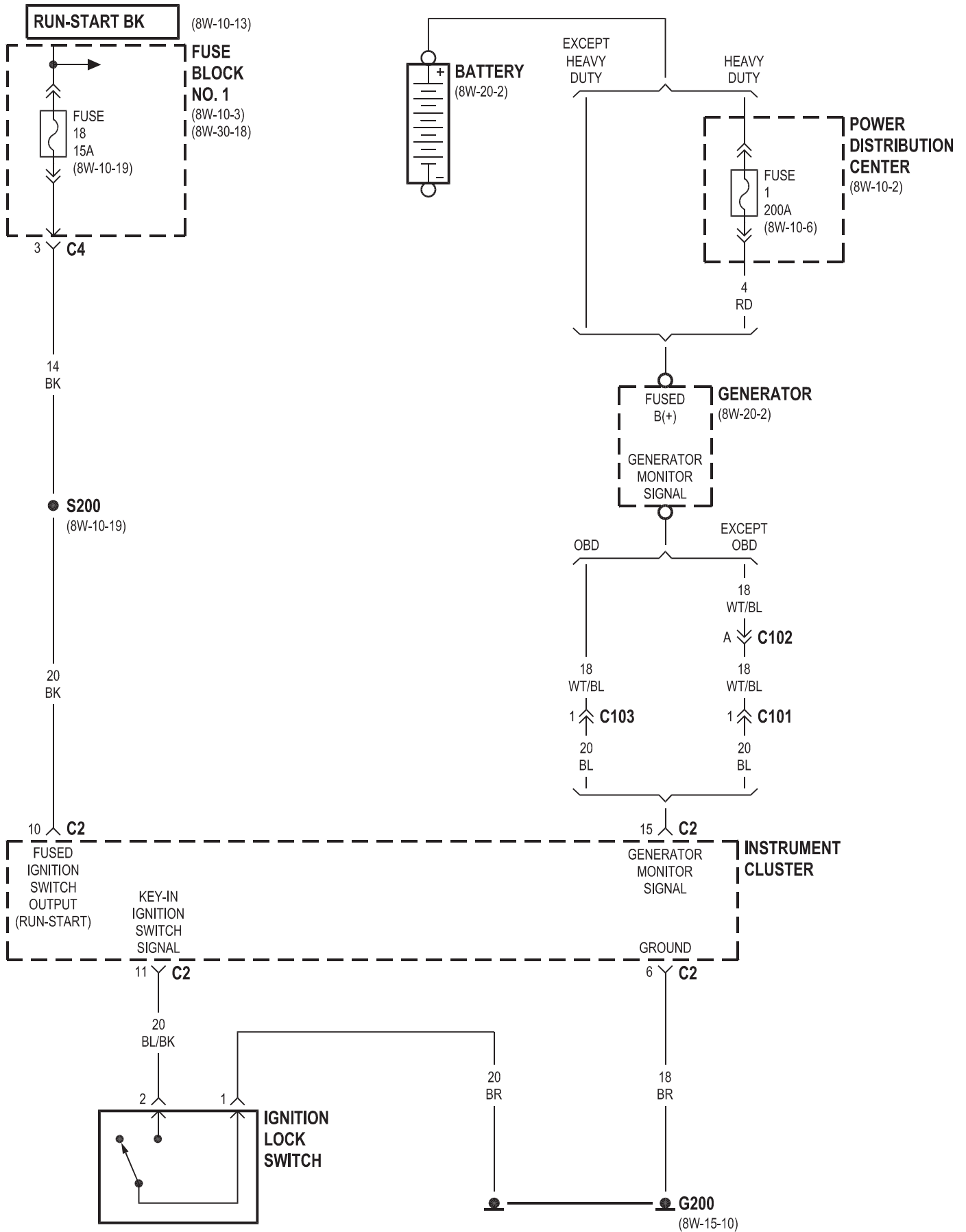
△ VTSS
△△ EXCEPT VTSS

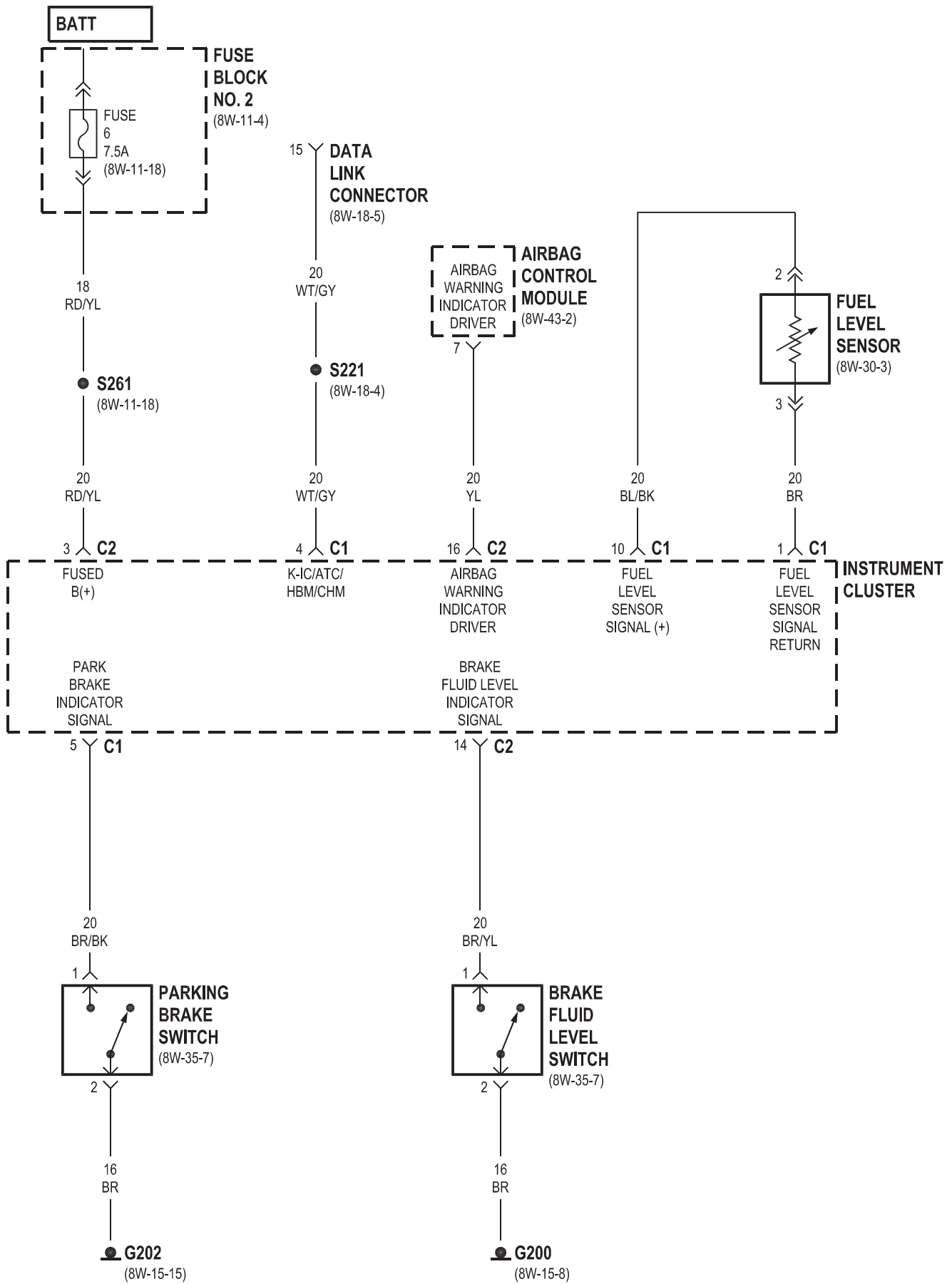


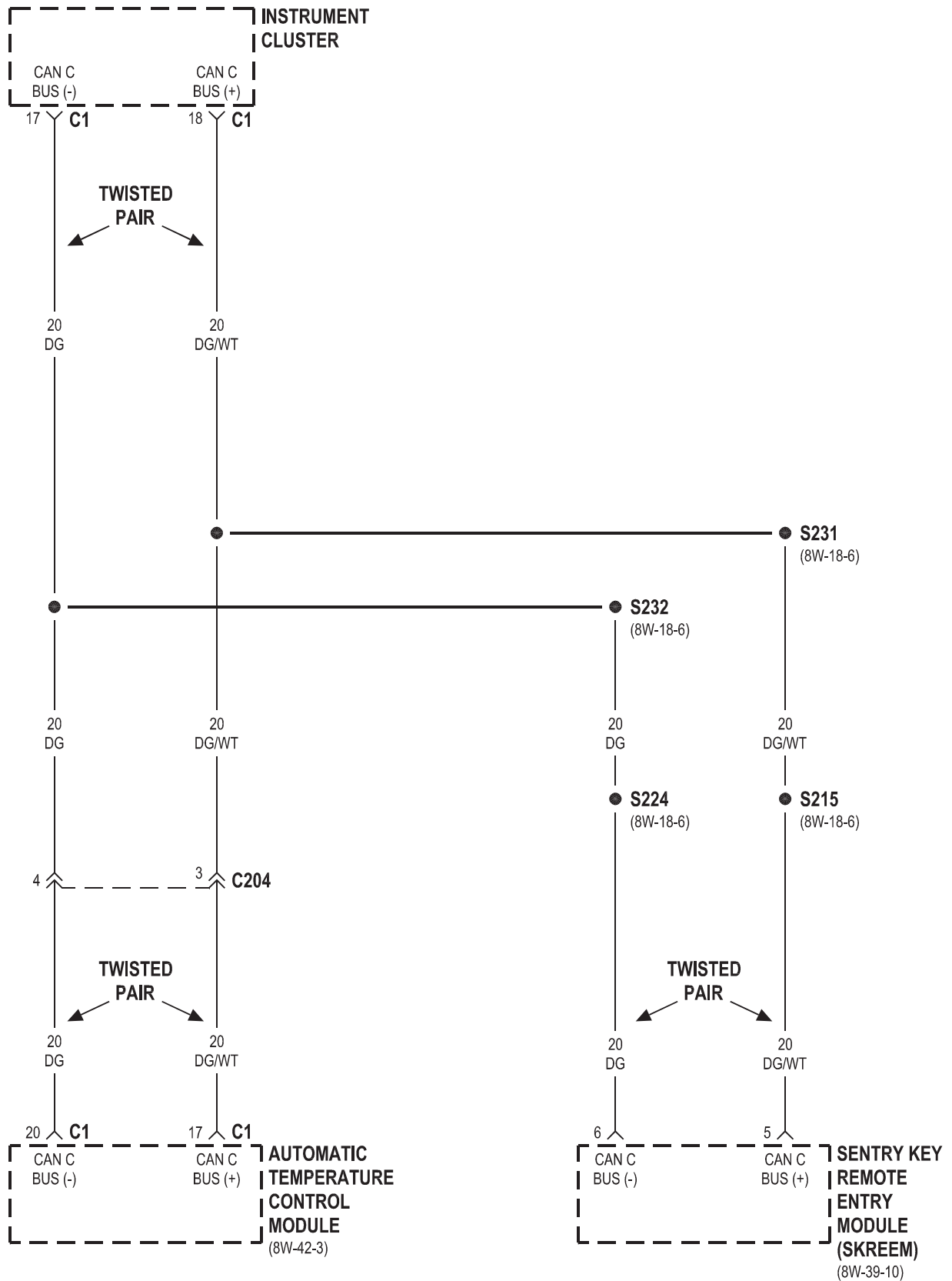


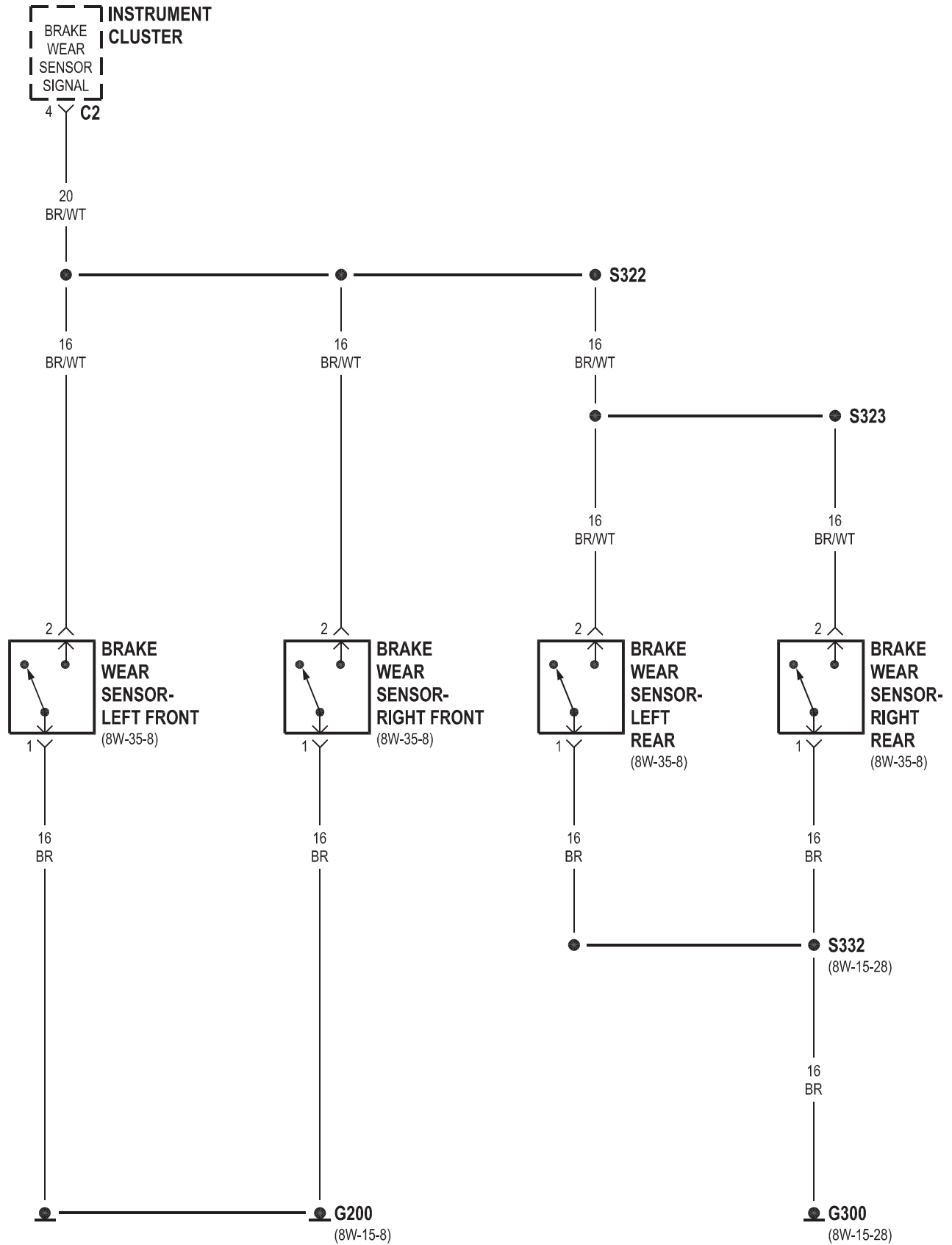
8W-40 INSTRUMENT CLUSTER

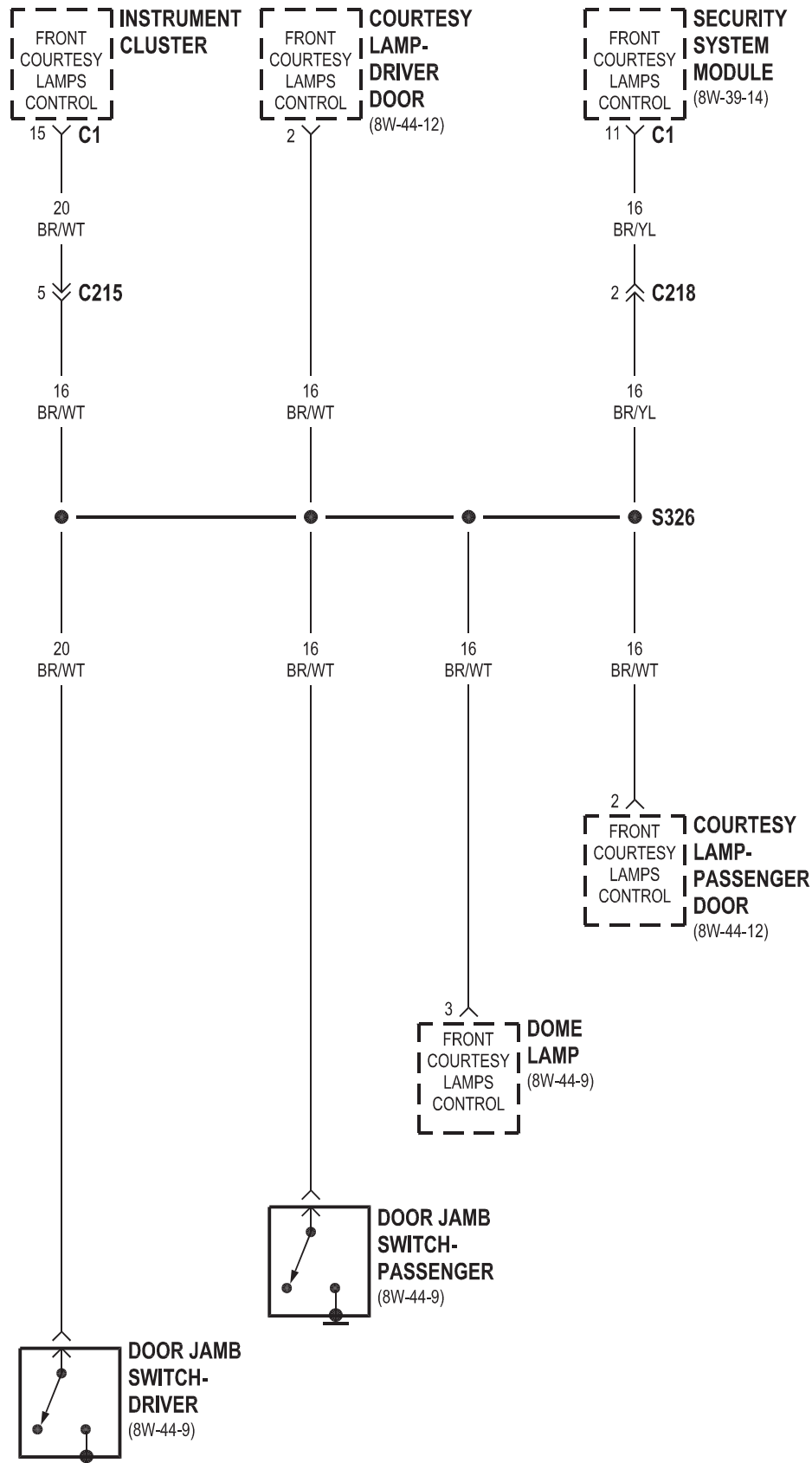
Component	Page	Component	Page
Airbag Control Module	8W-40-3	Fuse Block No. 1	8W-40-2
Ambient Temperature Sensor	8W-40-8	Fuse Block No. 2	8W-40-3
Automatic Temperature Control Module	8W-40-4, 8	G100	8W-40-7
Battery	8W-40-2	G200	8W-40-2, 3, 5
Brake Fluid Level Switch	8W-40-3	G202	8W-40-3, 7, 8
Brake Wear Sensor-Left Front	8W-40-5	G300	8W-40-5
Brake Wear Sensor-Left Rear	8W-40-5	Generator	8W-40-2
Brake Wear Sensor-Right Front	8W-40-5	Headlamp Assembly-Left	8W-40-7
Brake Wear Sensor-Right Rear	8W-40-5	Headlamp Assembly-Right	8W-40-7
Courtesy Lamp-Driver Door	8W-40-6	Ignition Lock Switch	8W-40-2
Courtesy Lamp-Passenger Door	8W-40-6	Instrument Cluster	8W-40-2, 3, 4, 5, 6, 7, 8
D+ Relay No. 1	8W-40-8	Parking Brake Switch	8W-40-3
Data Link Connector	8W-40-3	Power Distribution Center	8W-40-2
Dome Lamp	8W-40-6	Radio	8W-40-8
Door Jamb Switch-Driver	8W-40-6	Seat Belt Switch	8W-40-7
Door Jamb Switch-Passenger	8W-40-6	Security System Module	8W-40-6
Engine Coolant Level Switch	8W-40-7	Sentry Key Remote Entry Module	8W-40-4
Fuel Level Sensor	8W-40-3	Turn Signal/Anti-Theft Alarm Relay-Left . .	8W-40-8
Fuse 1	8W-40-2	Turn Signal/Anti-Theft Alarm Relay- Right	8W-40-8
Fuse 6	8W-40-3		
Fuse 18	8W-40-2		

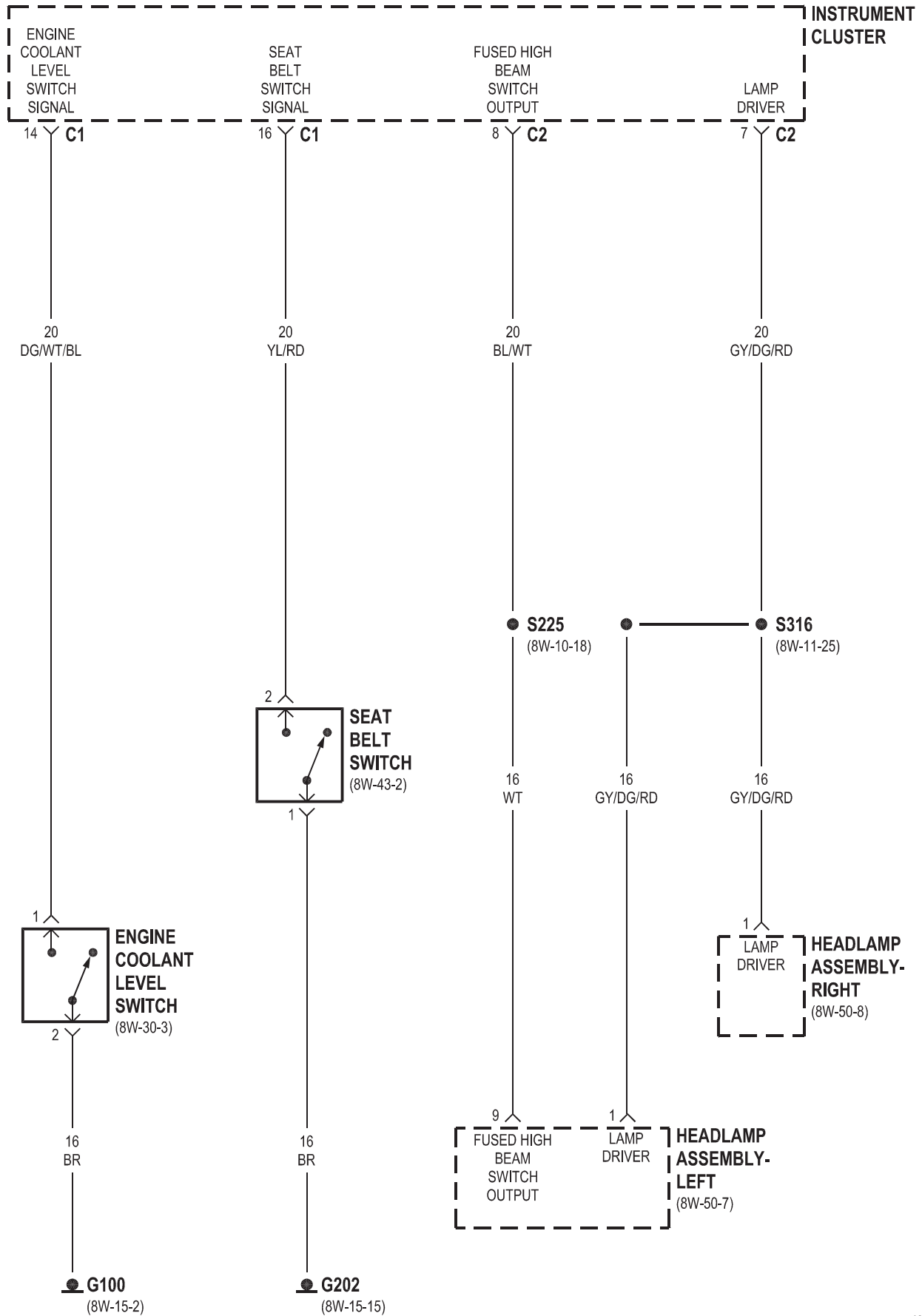


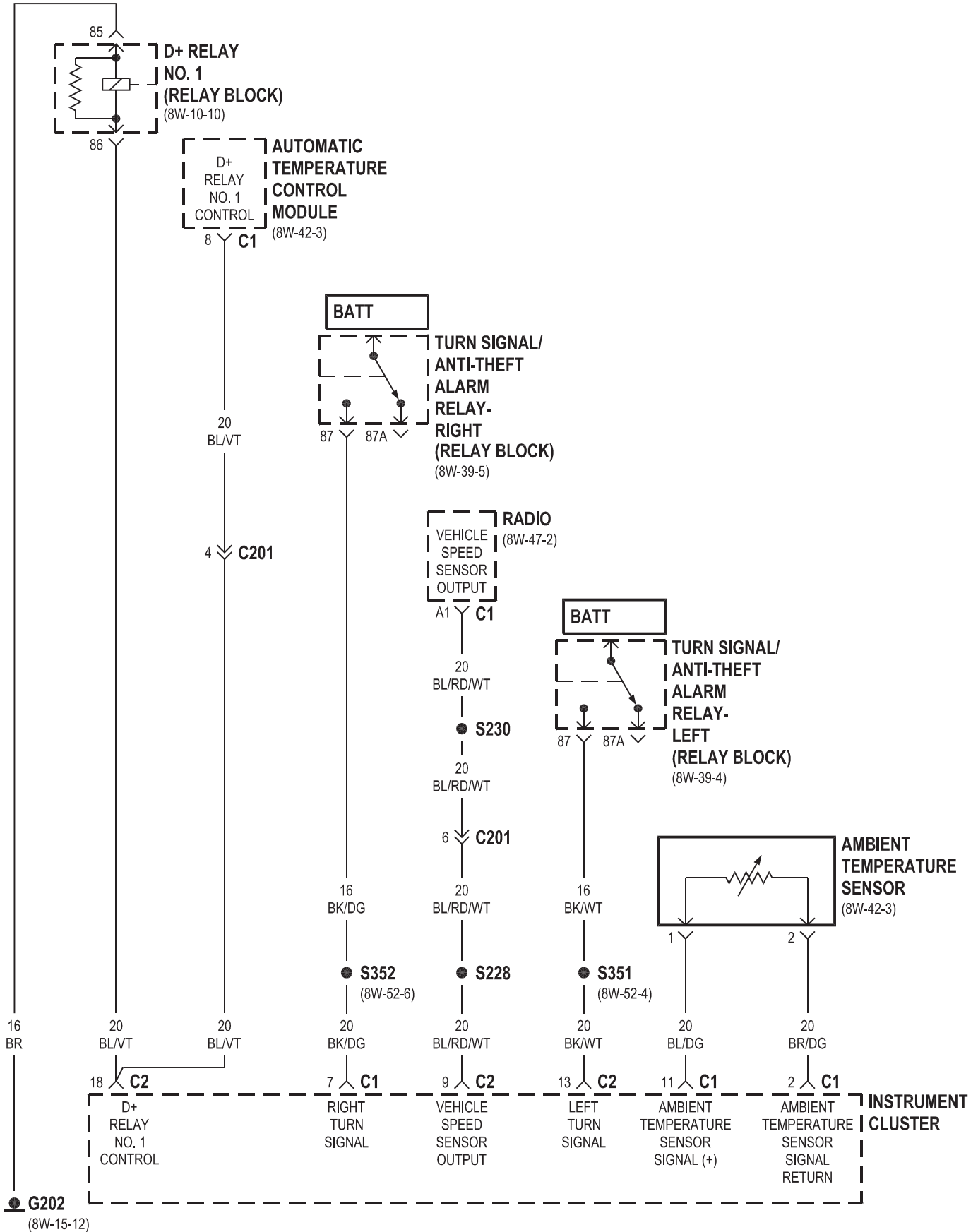






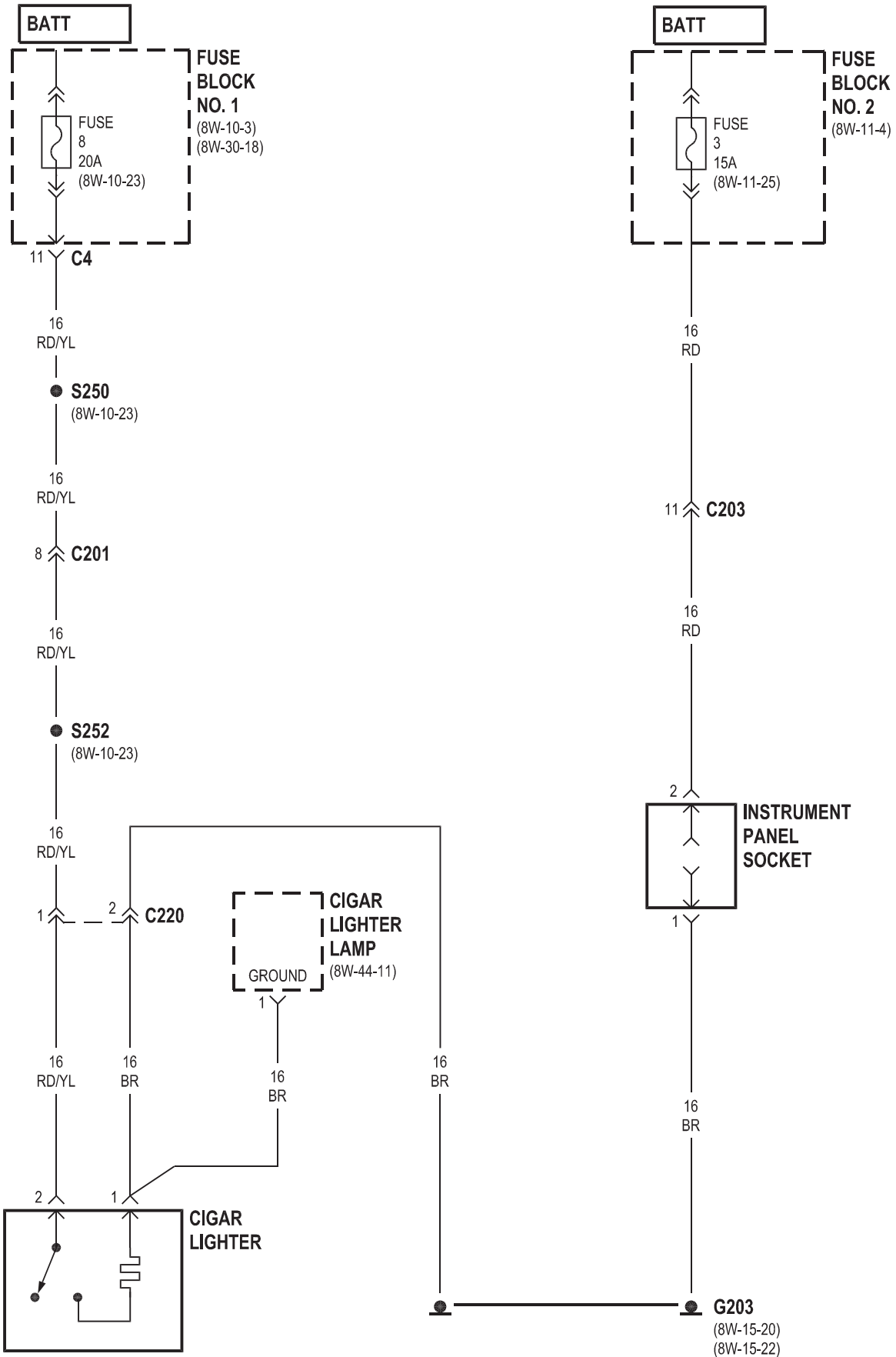


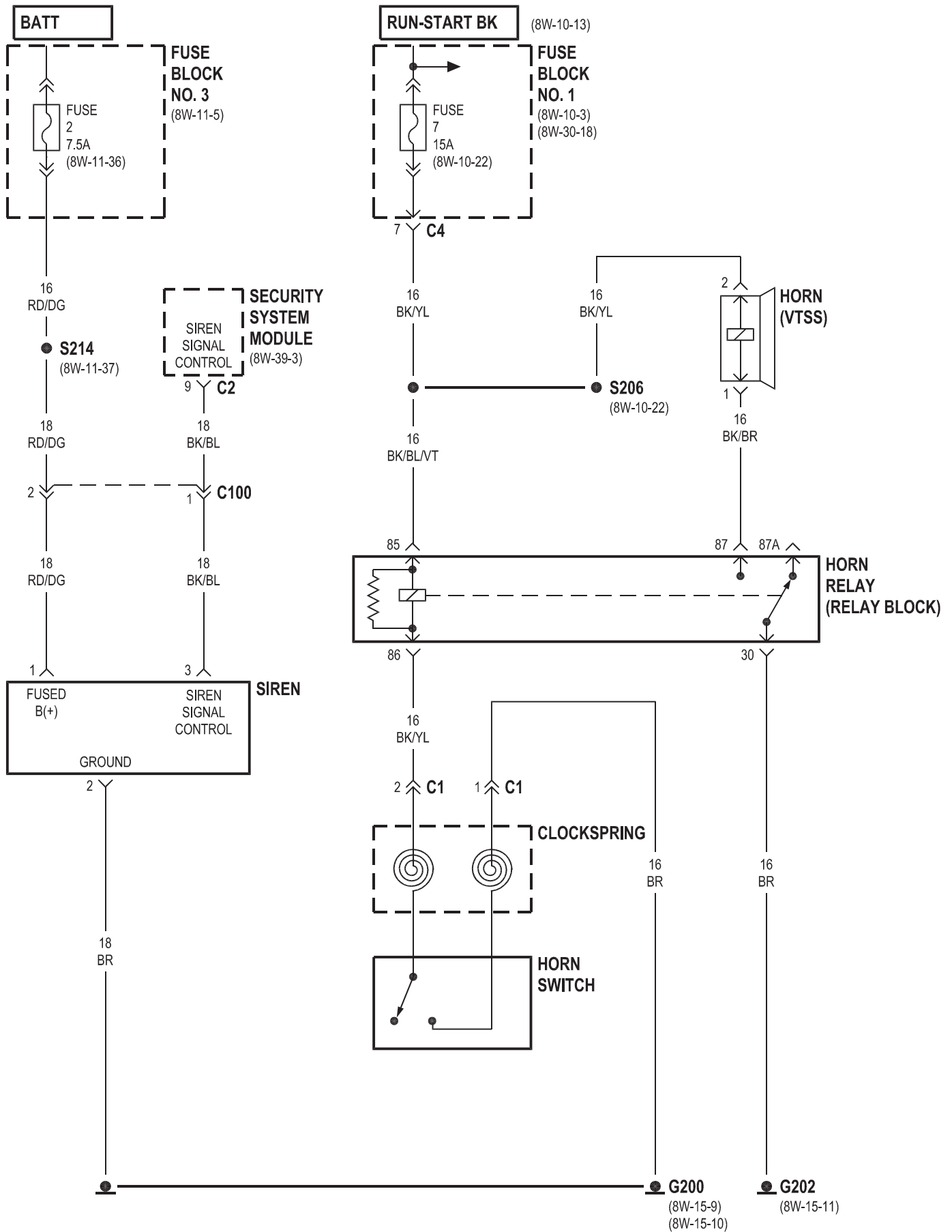




8W-41 HORN/CIGAR LIGHTER

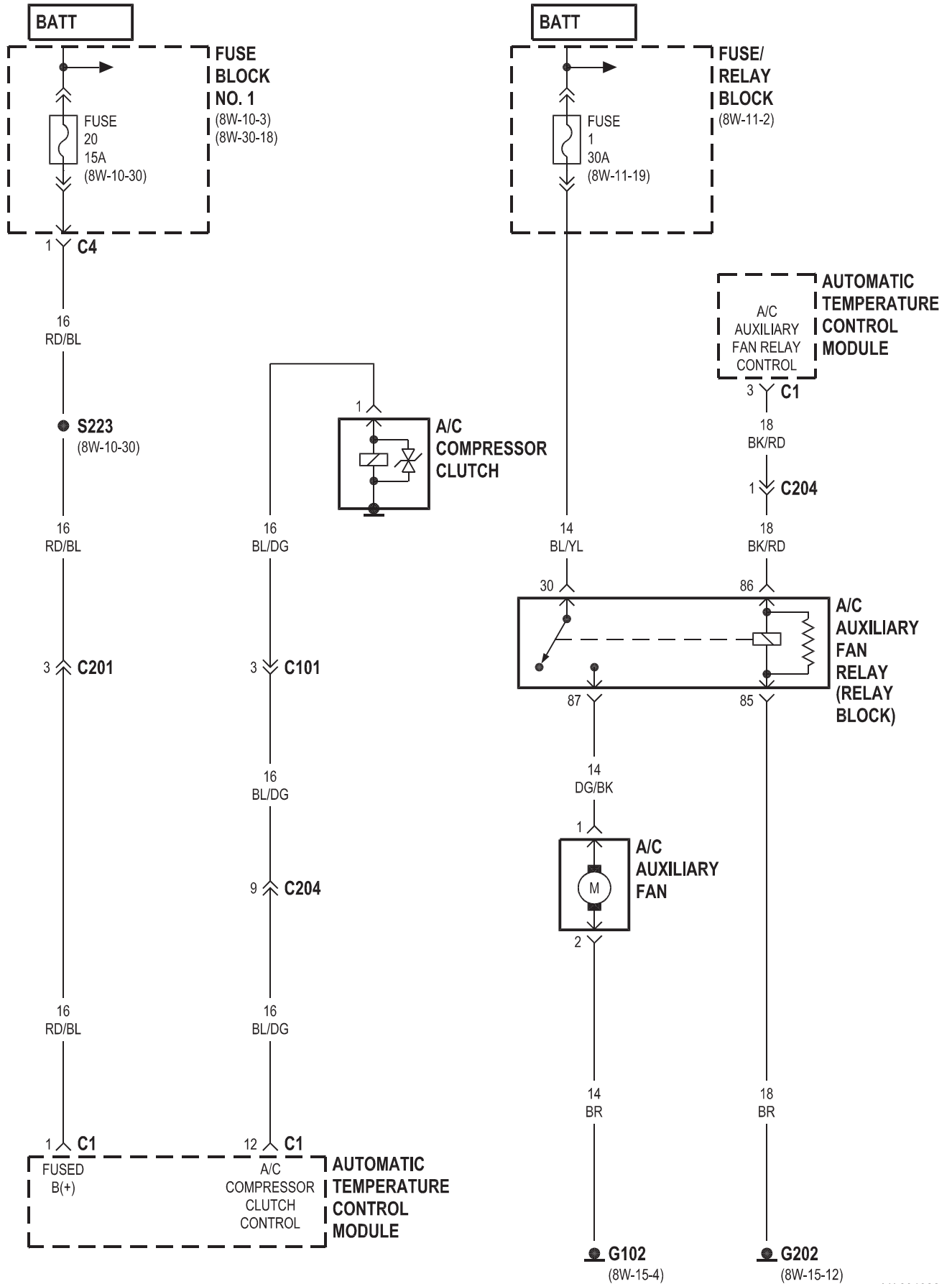
Component	Page	Component	Page
Cigar Lighter	8W-41-2	G200	8W-41-3
Cigar Lighter Lamp	8W-41-2	G202	8W-41-3
Clockspring	8W-41-3	G203	8W-41-2
Fuse 2	8W-41-3	Horn	8W-41-3
Fuse 3	8W-41-2	Horn Relay	8W-41-3
Fuse 7	8W-41-3	Horn Switch	8W-41-3
Fuse 8	8W-41-2	Instrument Panel Socket	8W-41-2
Fuse Block No. 1	8W-41-2, 3	Security System Module	8W-41-3
Fuse Block No. 2	8W-41-2	Siren	8W-41-3
Fuse Block No. 3	8W-41-3		

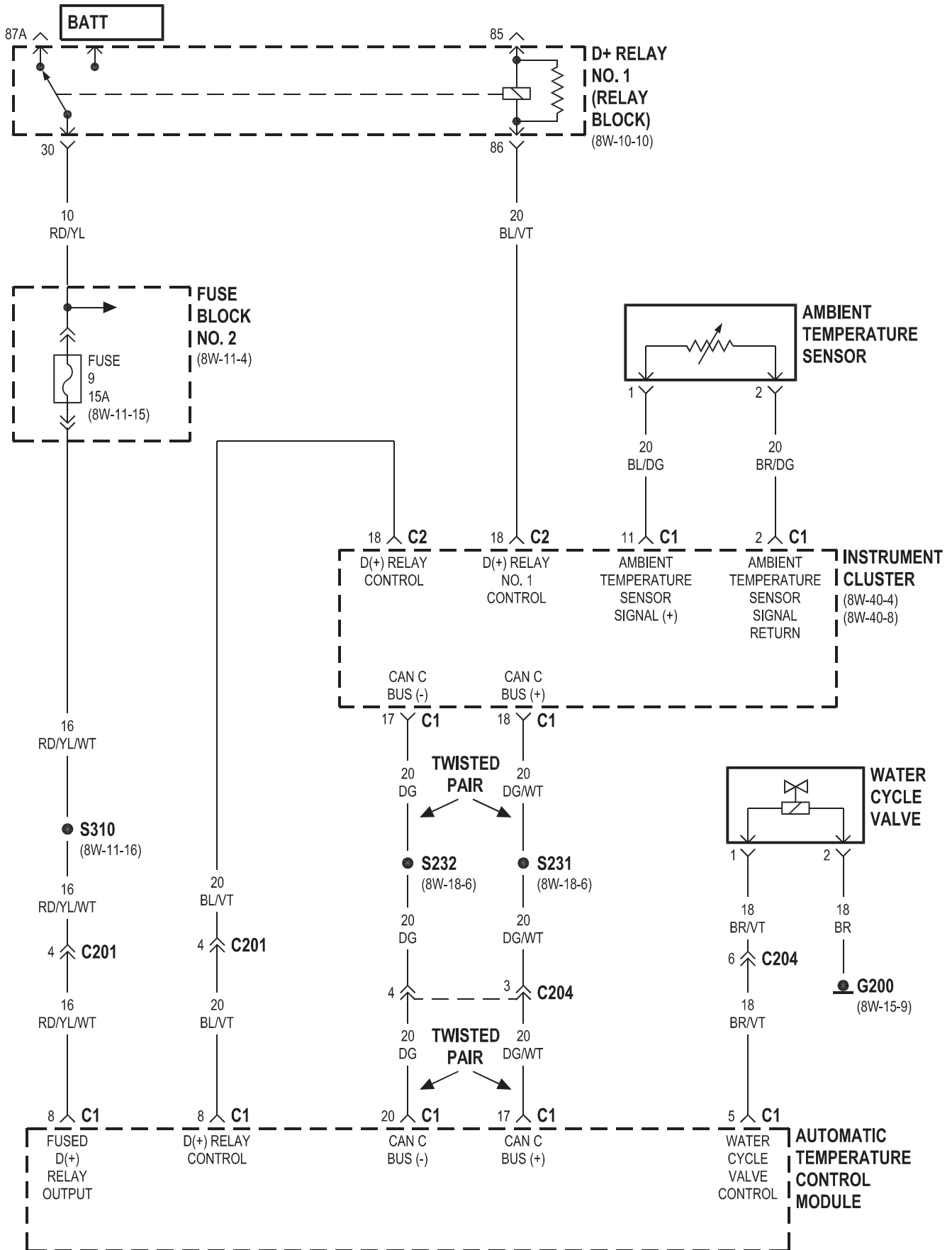


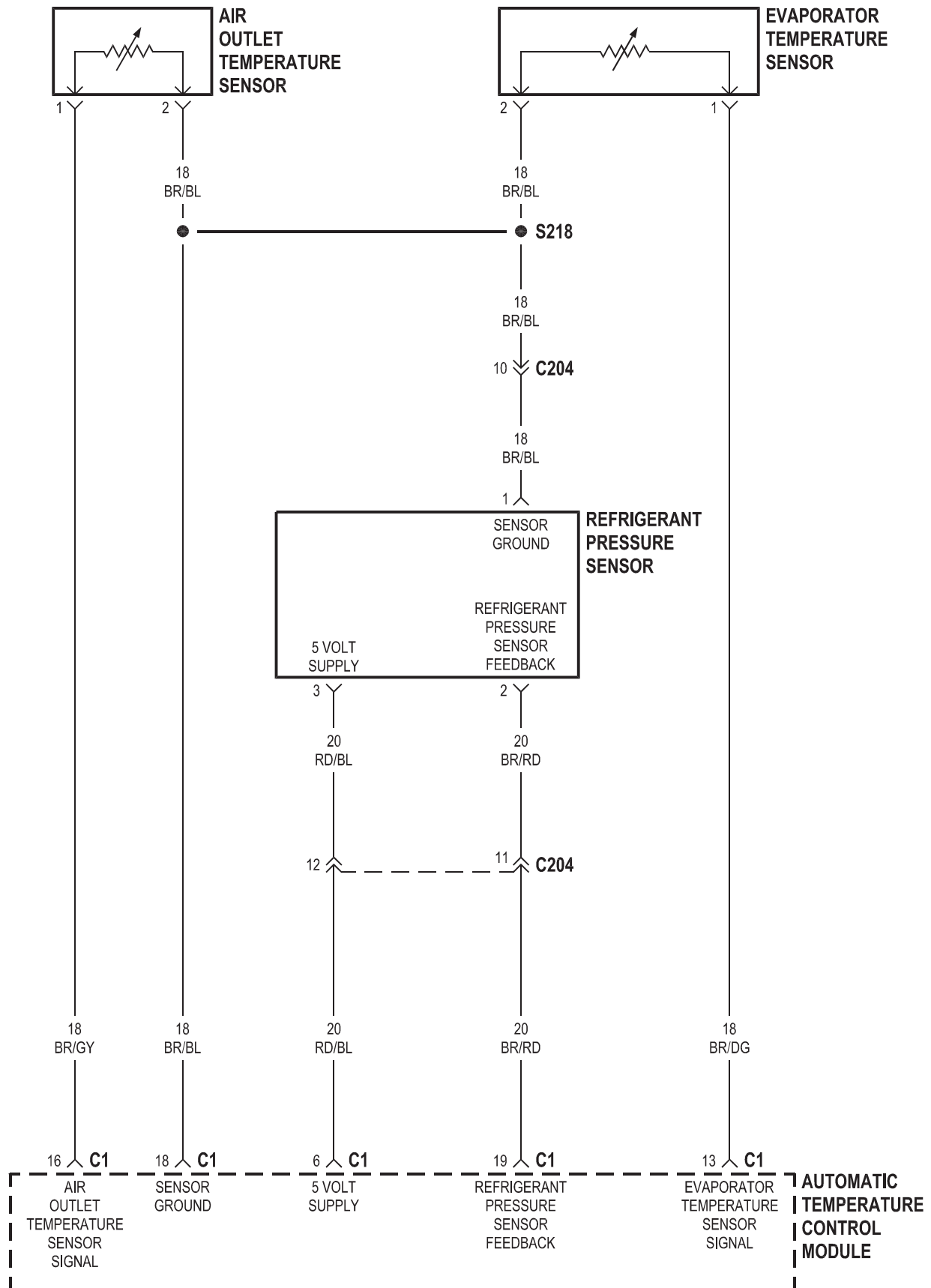


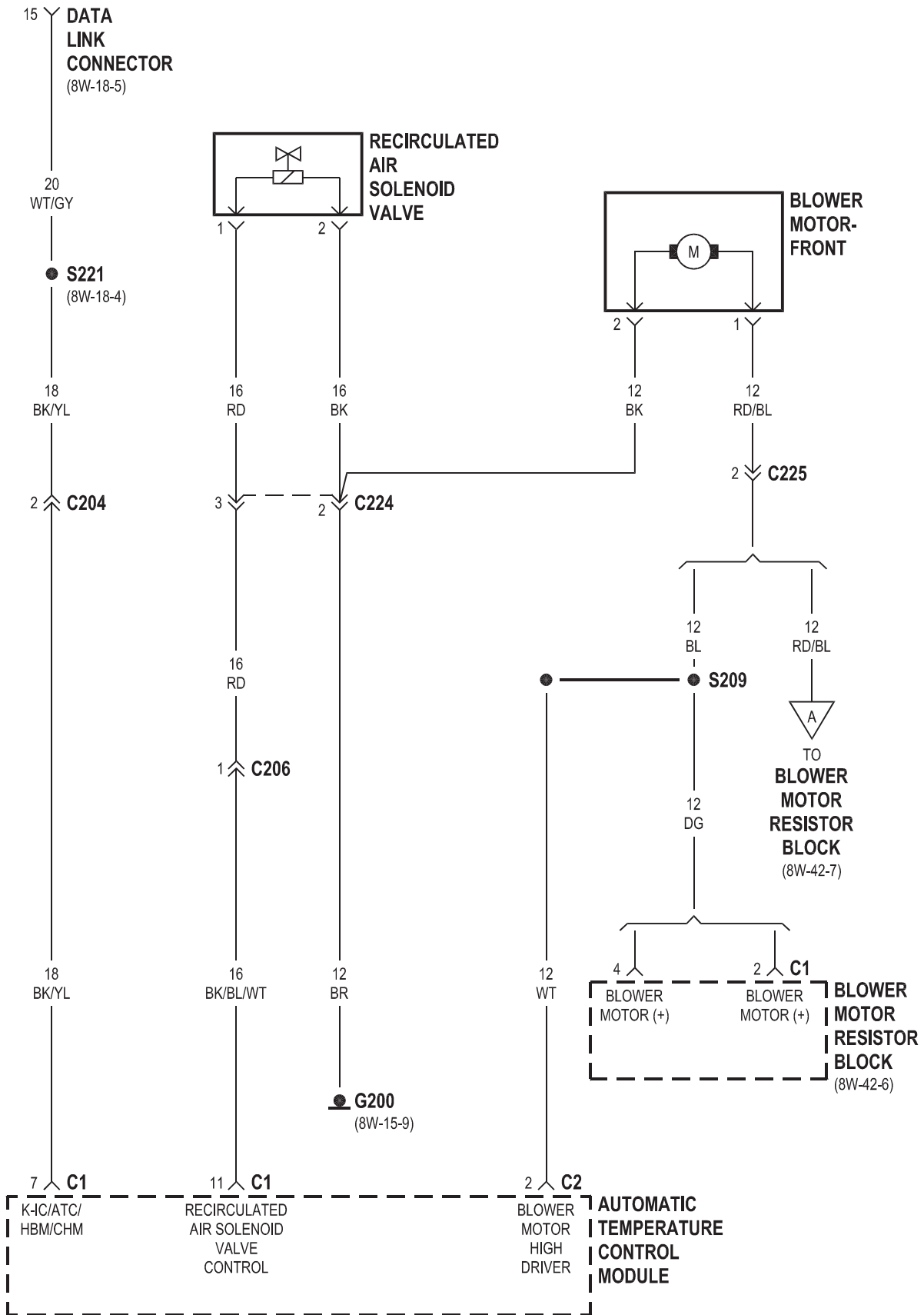
8W-42 AIR CONDITIONING-HEATER

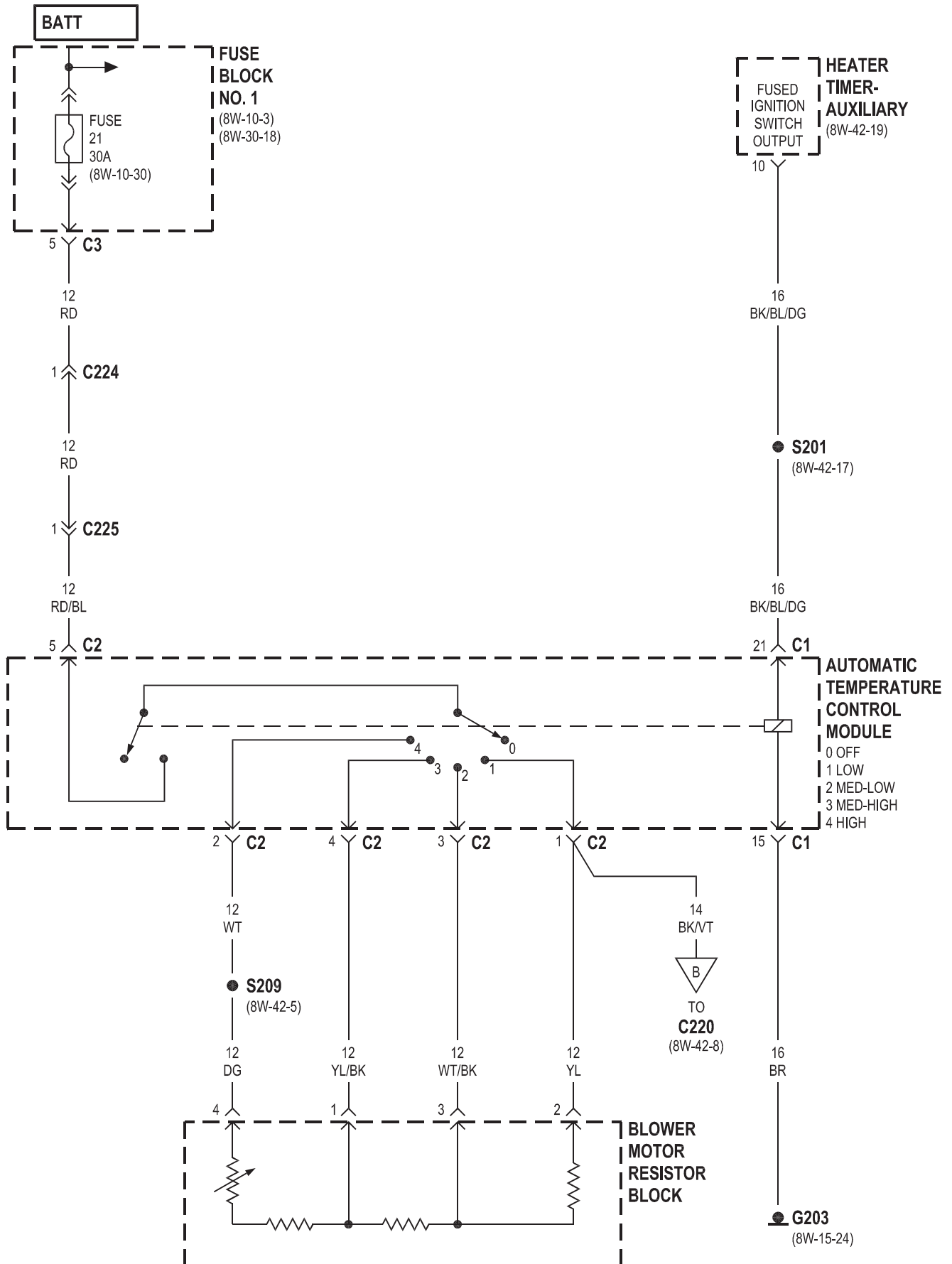
Component	Page	Component	Page
A/C Auxiliary Fan	8W-42-2	Fuse/Relay Block	8W-42-2, 12
A/C Auxiliary Fan Relay	8W-42-2	G100	8W-42-11
A/C Compressor Clutch	8W-42-2, 23	G102	8W-42-2
A/C Compressor Clutch Relay	8W-42-23	G200	8W-42-3, 5, 9
A/C Roof Auxiliary Fan	8W-42-23	G202	8W-42-2, 8, 9, 15, 16, 20
A/C Roof Auxiliary Fan Relay	8W-42-23	G203	8W-42-6, 7, 12, 14, 17, 18, 19
Additional Heat Exchanger	8W-42-15, 16, 17	G301	8W-42-12
Additional Heat Exchanger Relay	8W-42-15, 16	G305	8W-42-23, 24, 25
Additional Heat Exchanger Switch	8W-42-16, 17	Heater Timer-Auxiliary	8W-42-6, 7, 10, 17, 19, 21, 22
Air Outlet Temperature Sensor	8W-42-4	High Pressure Switch	8W-42-23
Ambient Temperature Sensor	8W-42-3	Instrument Cluster	8W-42-3
Anti Icing Switch	8W-42-23	Interference Suppression Capacitor	8W-42-24
Automatic Temperature Control		Low Pressure Switch	8W-42-23
Module	8W-42-2, 3, 4, 5, 6, 7, 8, 9, 10, 11, 17, 19	Metering Pump	8W-42-20
Auxiliary Heater Control	8W-42-10, 18	Optional Equipment Relay	8W-42-14
Blower Motor Resistor Block	8W-42-5, 6, 7	Power Distribution Center	8W-42-23, 24
Blower Motor-Front	8W-42-5	Recirculated Air Solenoid Valve	8W-42-5
Blower Stage I Diode	8W-42-24	Refrigerant Pressure Sensor	8W-42-4
Cabin Heater Assembly	8W-42-9	Rollover Switch	8W-42-11
Cabin Heater Module	8W-42-8, 10, 11, 15, 18, 22	Rollover Switch Assembly	8W-42-11, 15
Circulation Pump	8W-42-9	Roof A/C Blower	8W-42-24
Circulation Pump Diode	8W-42-9, 11	Roof A/C Blower I	8W-42-24
Circulation Pump Relay-Cabin Heater		Roof A/C Blower I Fuse	8W-42-24
Module	8W-42-9	Roof A/C Blower Ii	8W-42-24
Controller Antilock Brake	8W-42-17	Roof A/C Blower Ii Fuse	8W-42-24
D+ Relay No. 1	8W-42-3	Roof A/C Blower Stage I And Ii Relay	8W-42-24
Data Link Connector	8W-42-5, 10, 20	Roof A/C Blower Stage I Relay	8W-42-24, 25
Daytime Running Lamps		Roof A/C Blower Stage Ii Relay	8W-42-12, 24
Relay	8W-42-12, 13, 14, 17, 18, 19	Roof A/C Compressor Fuse	8W-42-23
Dosing Pump	8W-42-11	Roof A/C Control Module	8W-42-12, 13
Evaporator Temperature Sensor	8W-42-4	Roof A/C Fan Fuse	8W-42-23
Fan Stage 1 Relay	8W-42-8	Roof A/C Switch	8W-42-10, 12
Fuse 1	8W-42-2, 22	Roof A/C Temperature	
Fuse 3	8W-42-15	Setting Control	8W-42-10, 13, 25
Fuse 4	8W-42-11	Roof Fan Motor	8W-42-14
Fuse 7	8W-42-9	Roof Fan Switch	8W-42-10, 14
Fuse 8	8W-42-8, 12, 18	Roof Thermotronic Control	
Fuse 9	8W-42-3	Module	8W-42-12, 13, 23, 24, 25
Fuse 11	8W-42-20	Security System Module	8W-42-20
Fuse 20	8W-42-2, 9, 14	TCS Switch	8W-42-17
Fuse 21	8W-42-6, 7	Temperature Sensor	8W-42-25
Fuse 201	8W-42-24	Thermotronic Diode	8W-42-23
Fuse 202	8W-42-24	Warm Air Auxiliary Control Module	8W-42-20, 21
Fuse 203	8W-42-23	Warm Air Auxiliary Heater	
Fuse 204	8W-42-23	Assembly	8W-42-20, 21
Fuse Block No. 1	8W-42-2, 6, 7, 9, 18	Water Cycle Valve	8W-42-3
Fuse Block No. 2	8W-42-3		
Fuse Block No. 3	8W-42-8, 11, 14, 15, 20, 22		

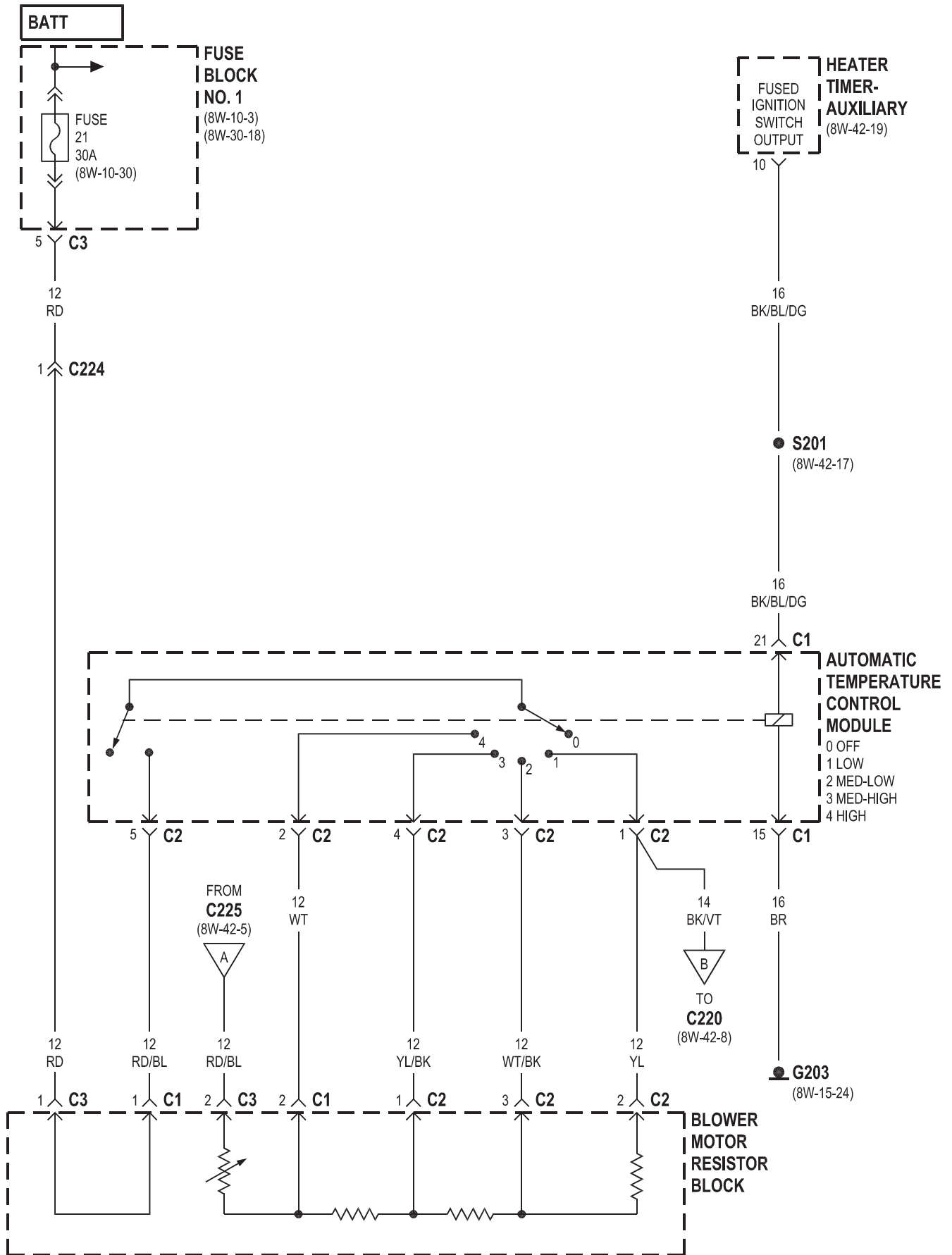


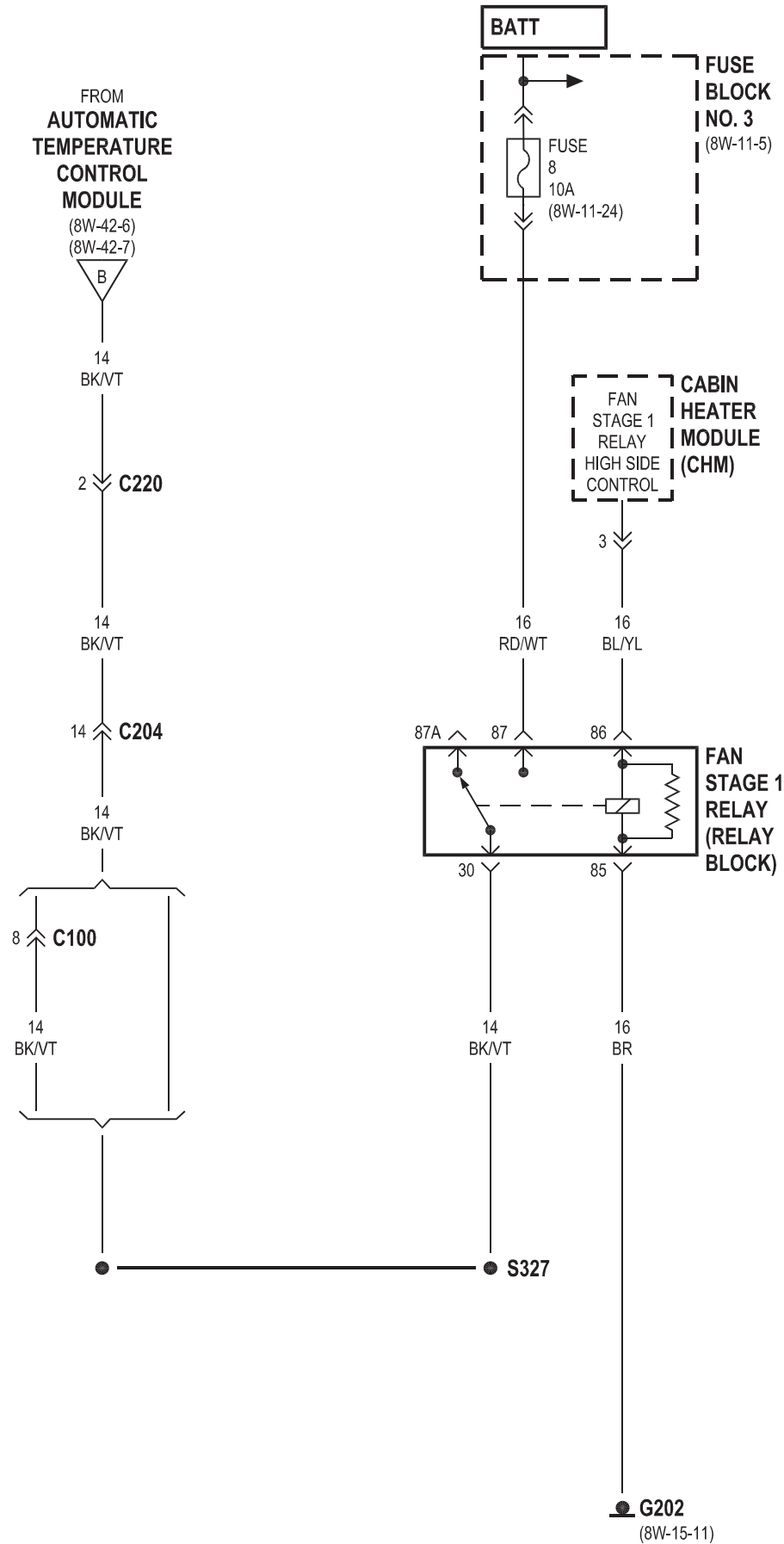


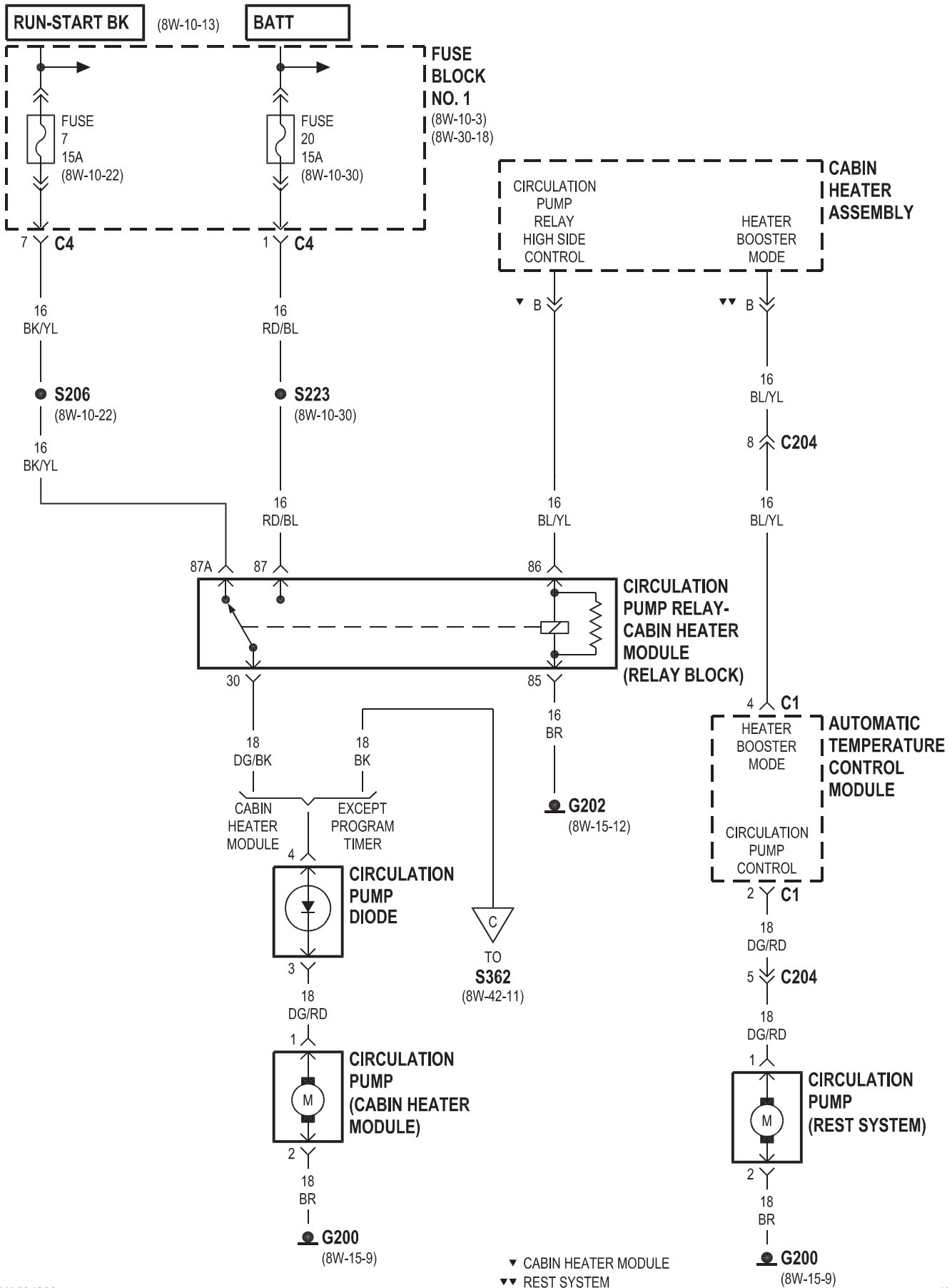


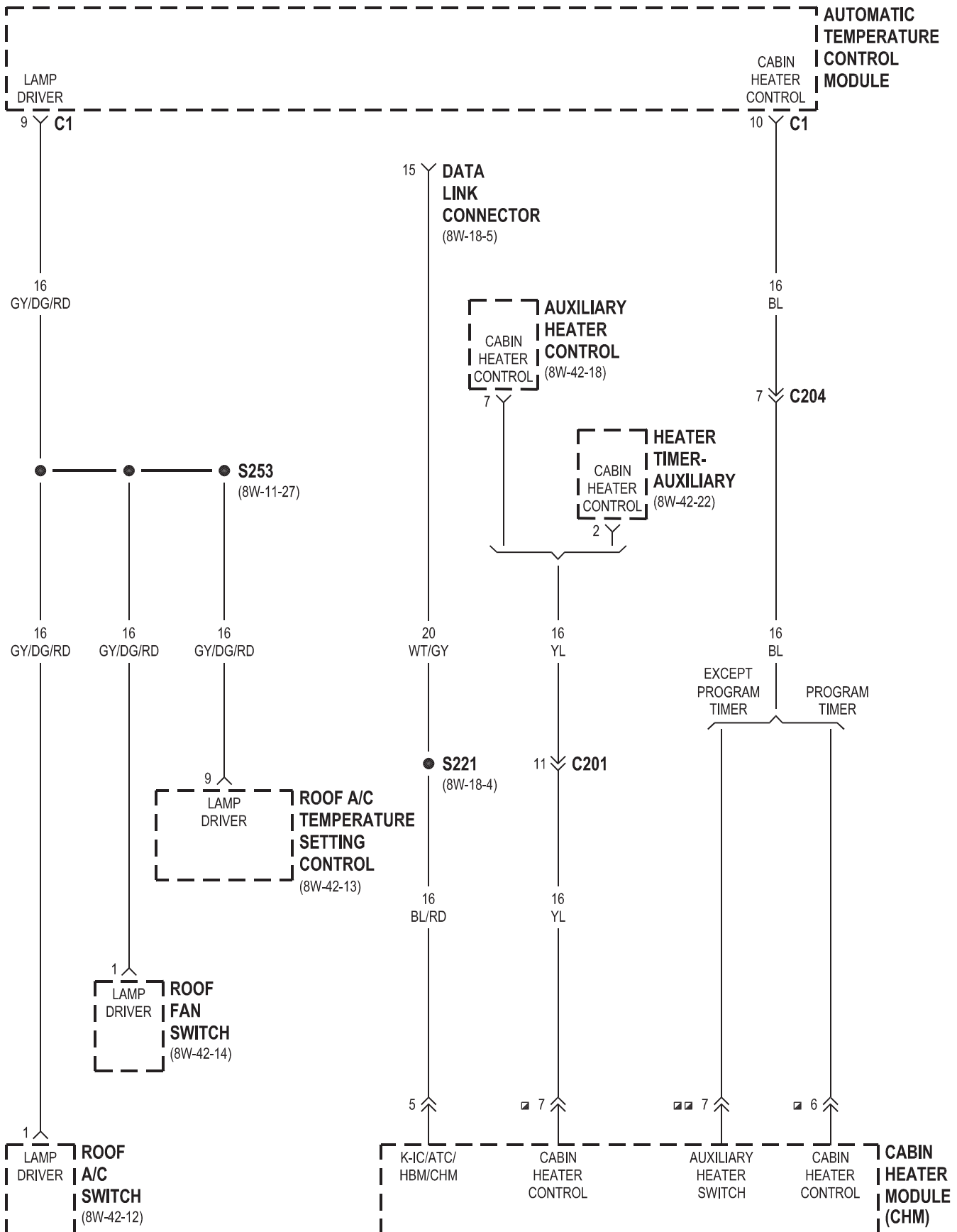




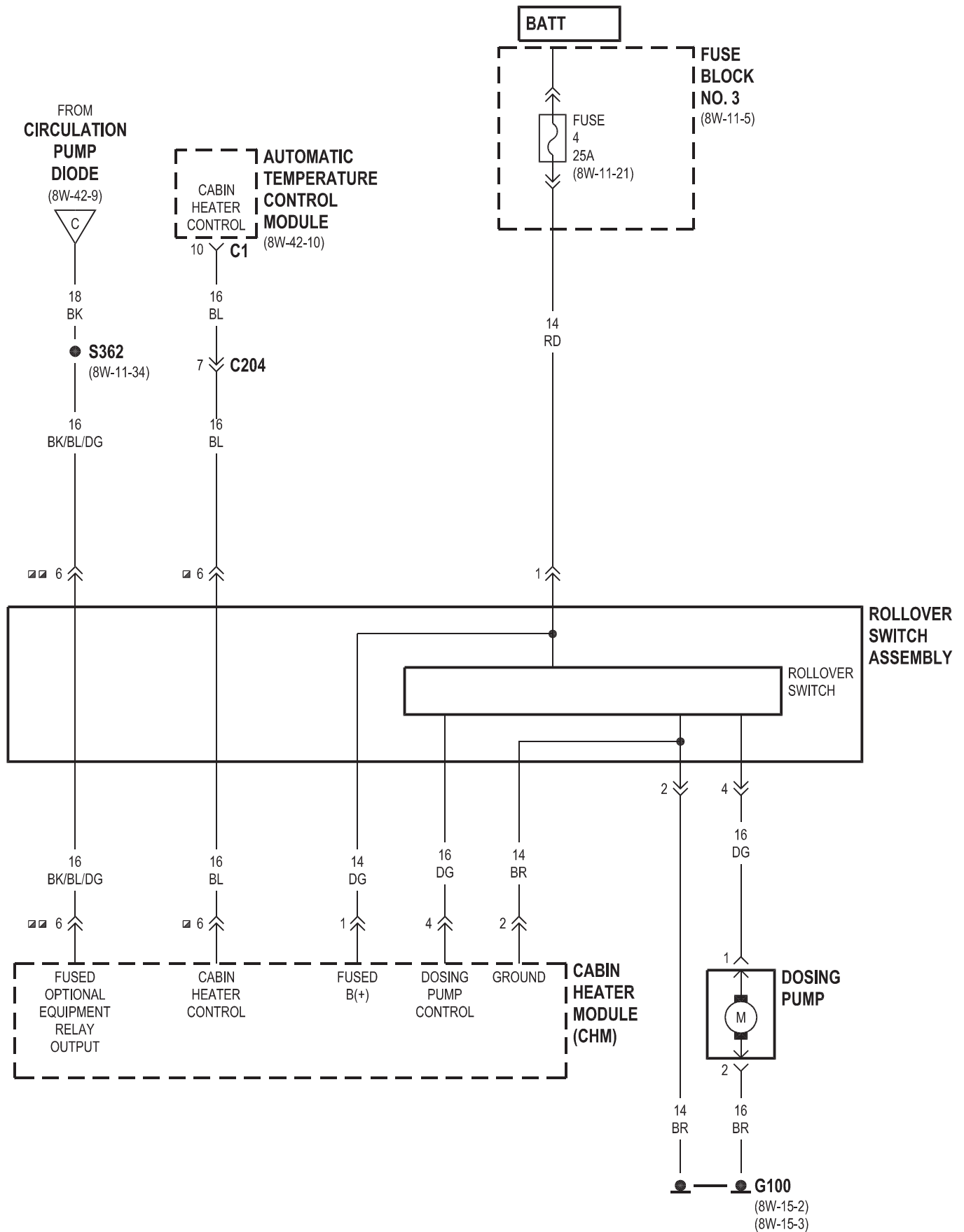




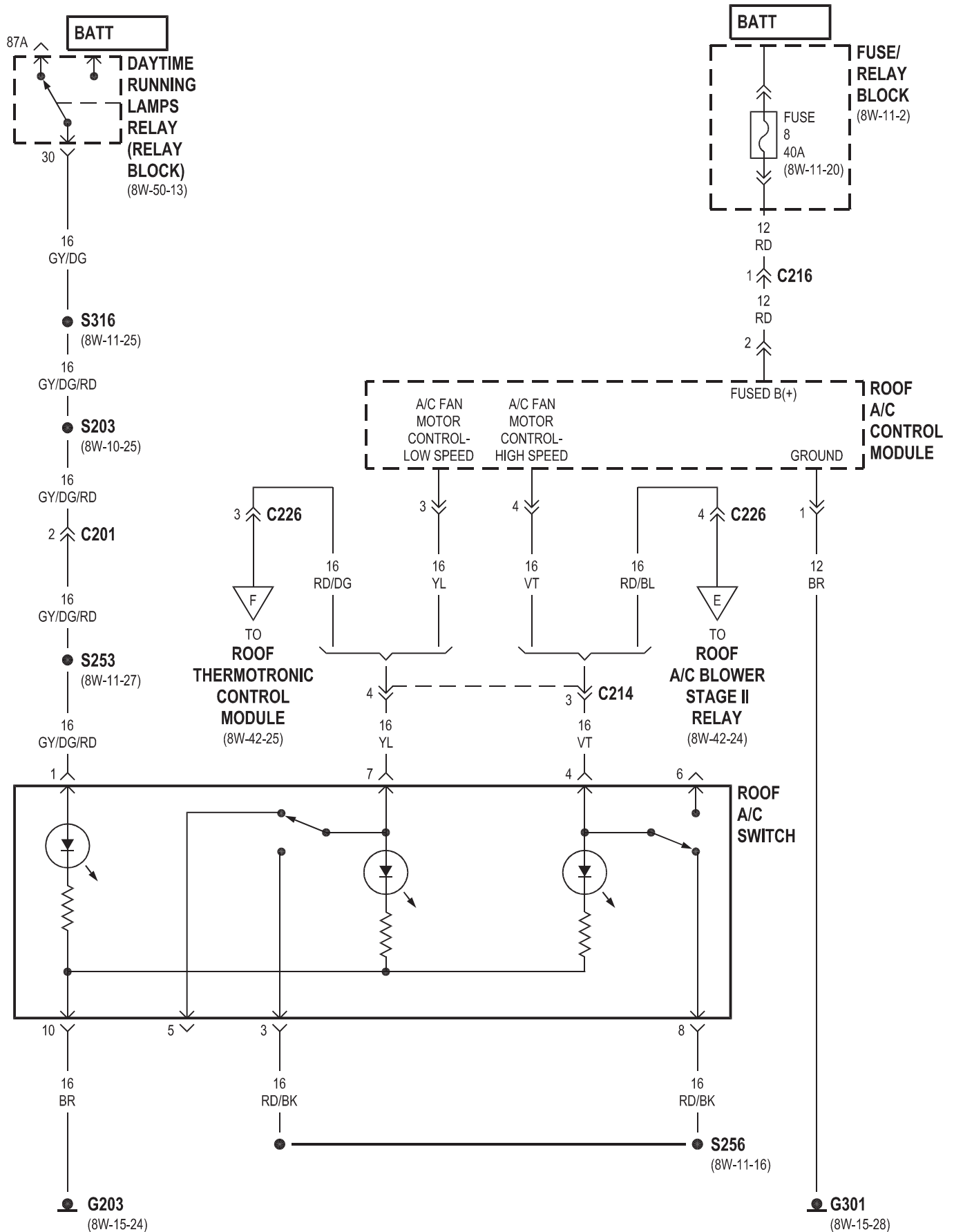


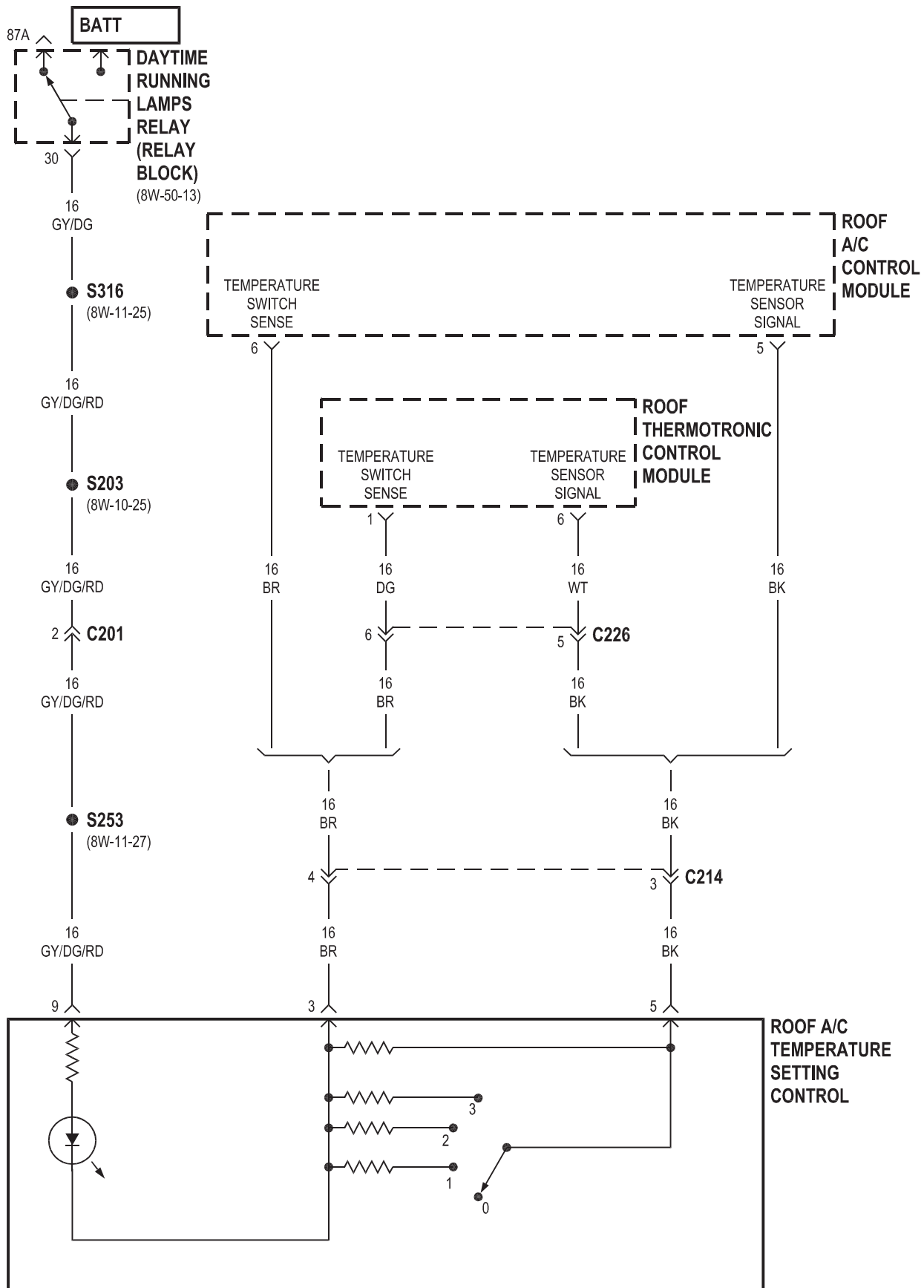


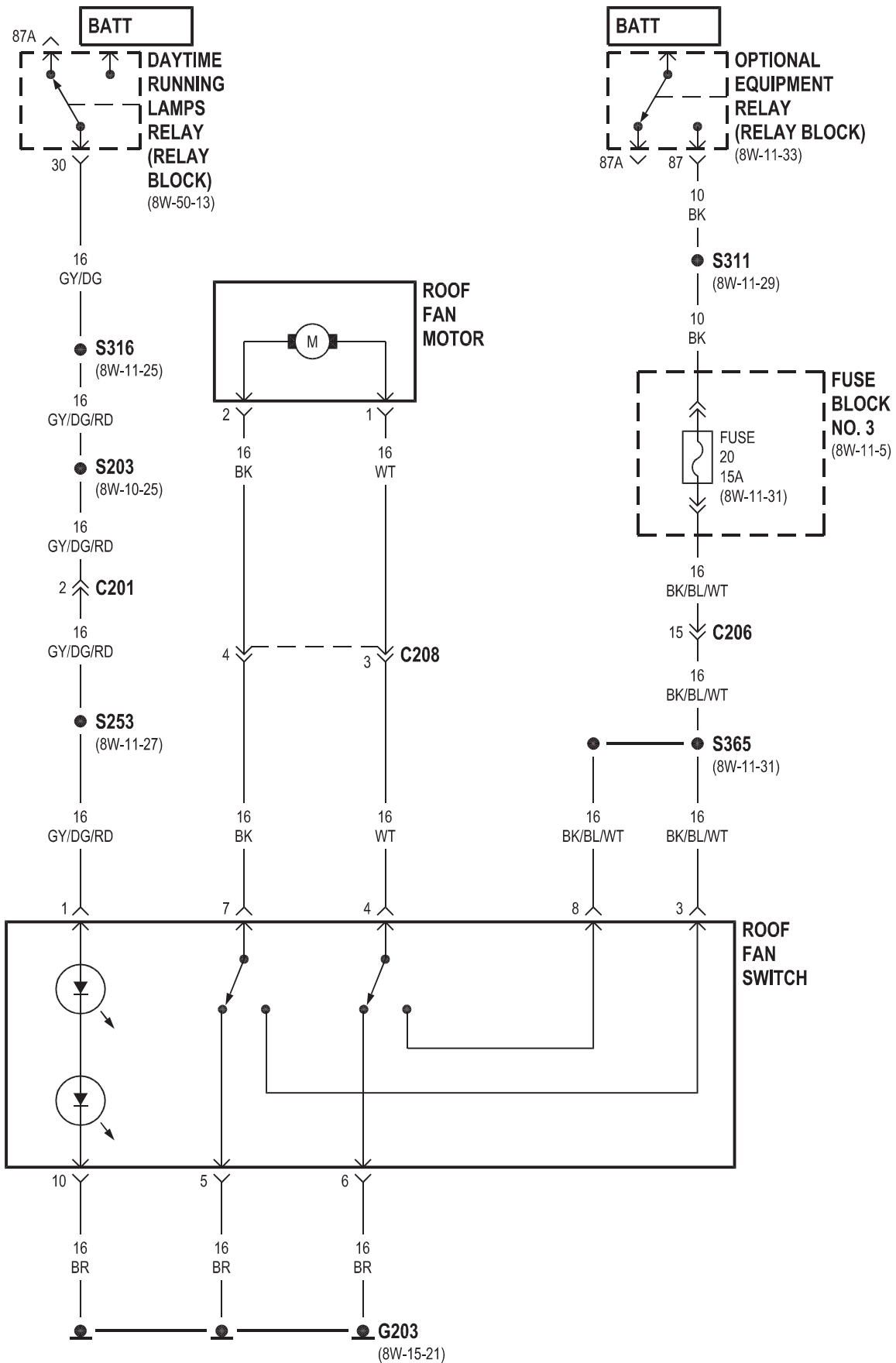
▣ PROGRAM TIMER
 ▣▣ EXCEPT PROGRAM TIMER

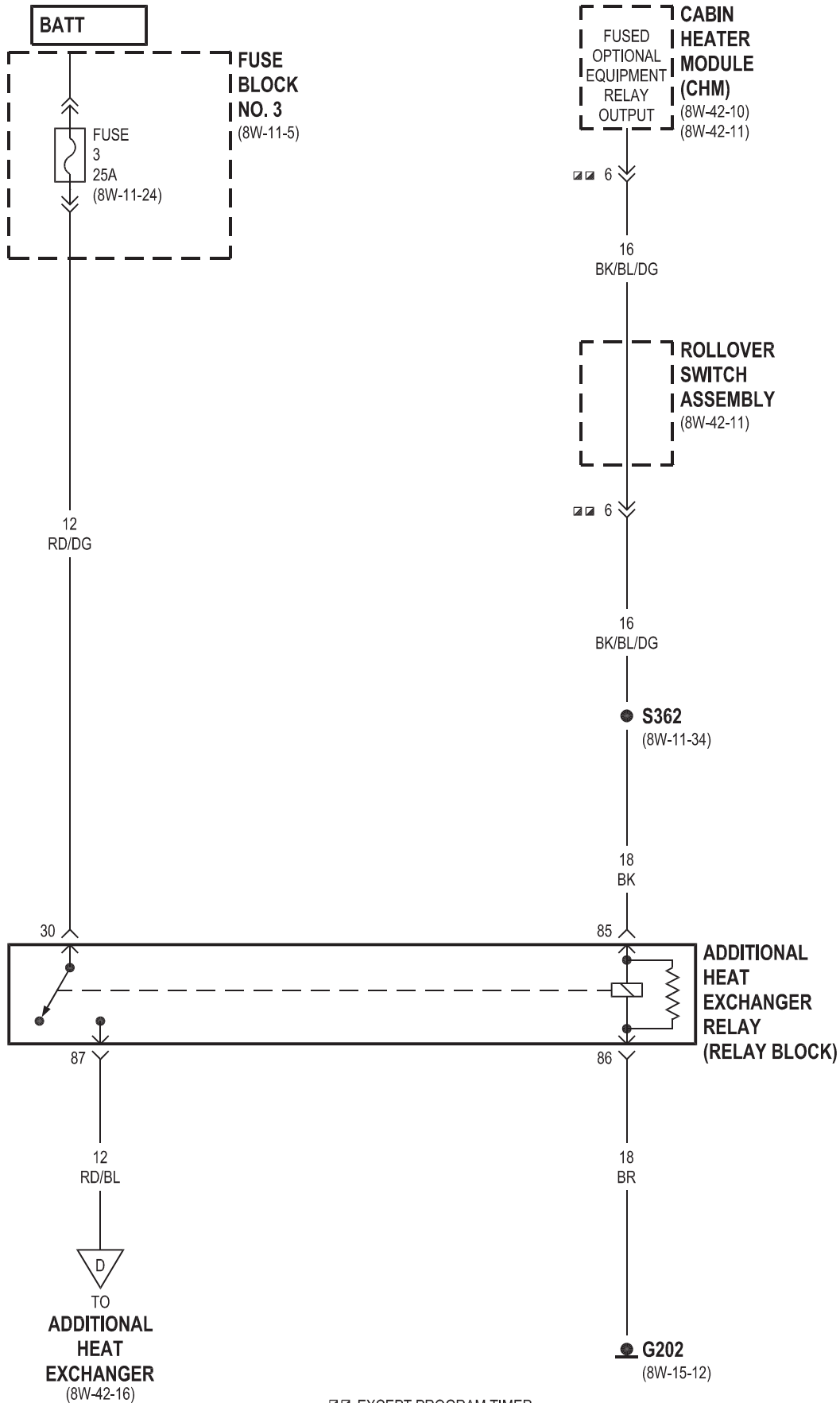


▣ PROGRAM TIMER
 ▣▣ EXCEPT PROGRAM TIMER









EXCEPT PROGRAM TIMER

FROM
ADDITIONAL
HEAT
EXCHANGER
RELAY
(RELAY BLOCK)
(8W-42-15)



12
RD/BL

B

C

D

A

ADDITIONAL
HEAT
EXCHANGER

16
VT/BL

16
VT/YL

19

18 C206

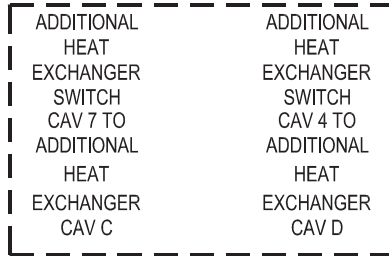
16
VT/BL

16
VT/YL

12
BR

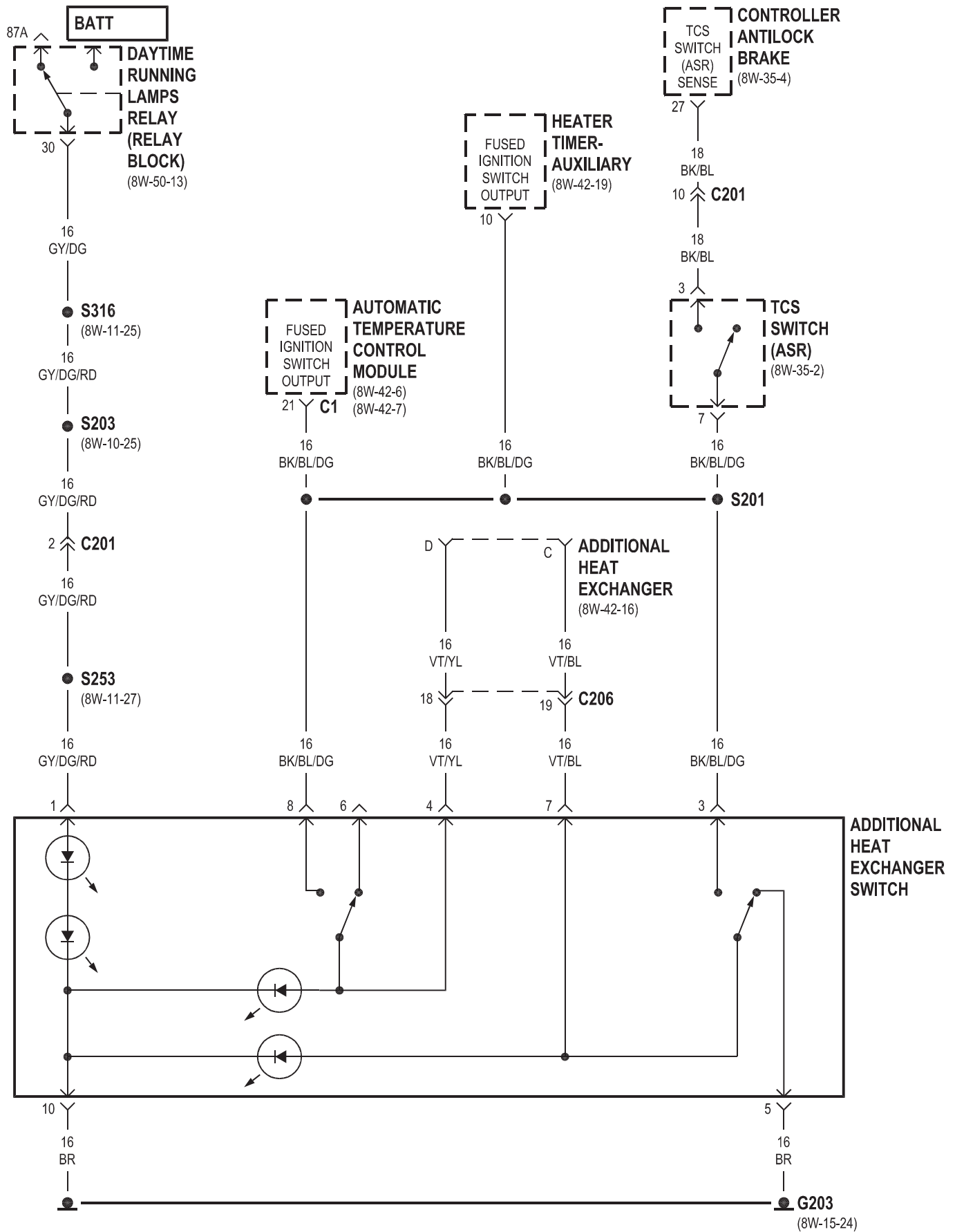
7

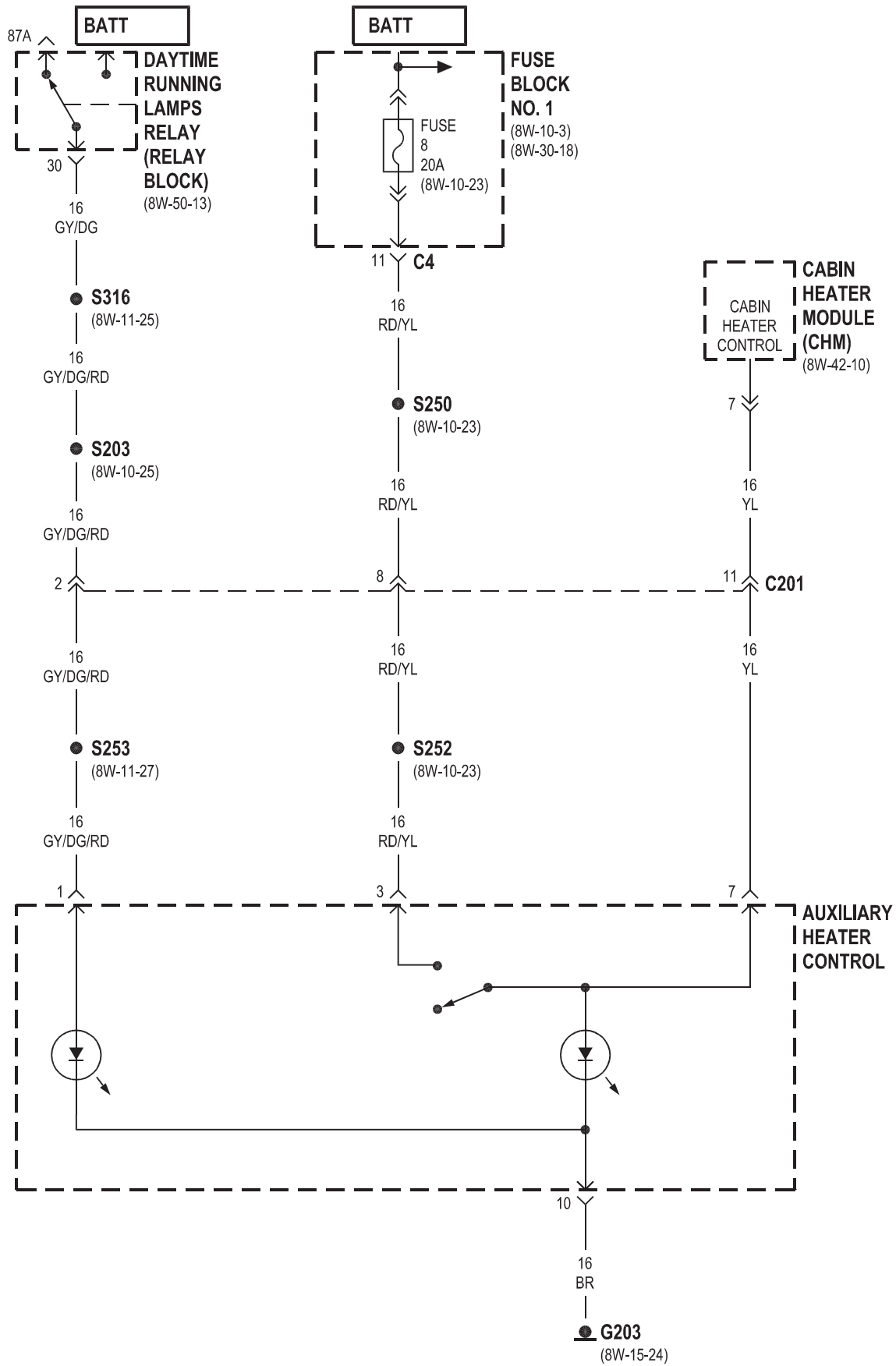
4

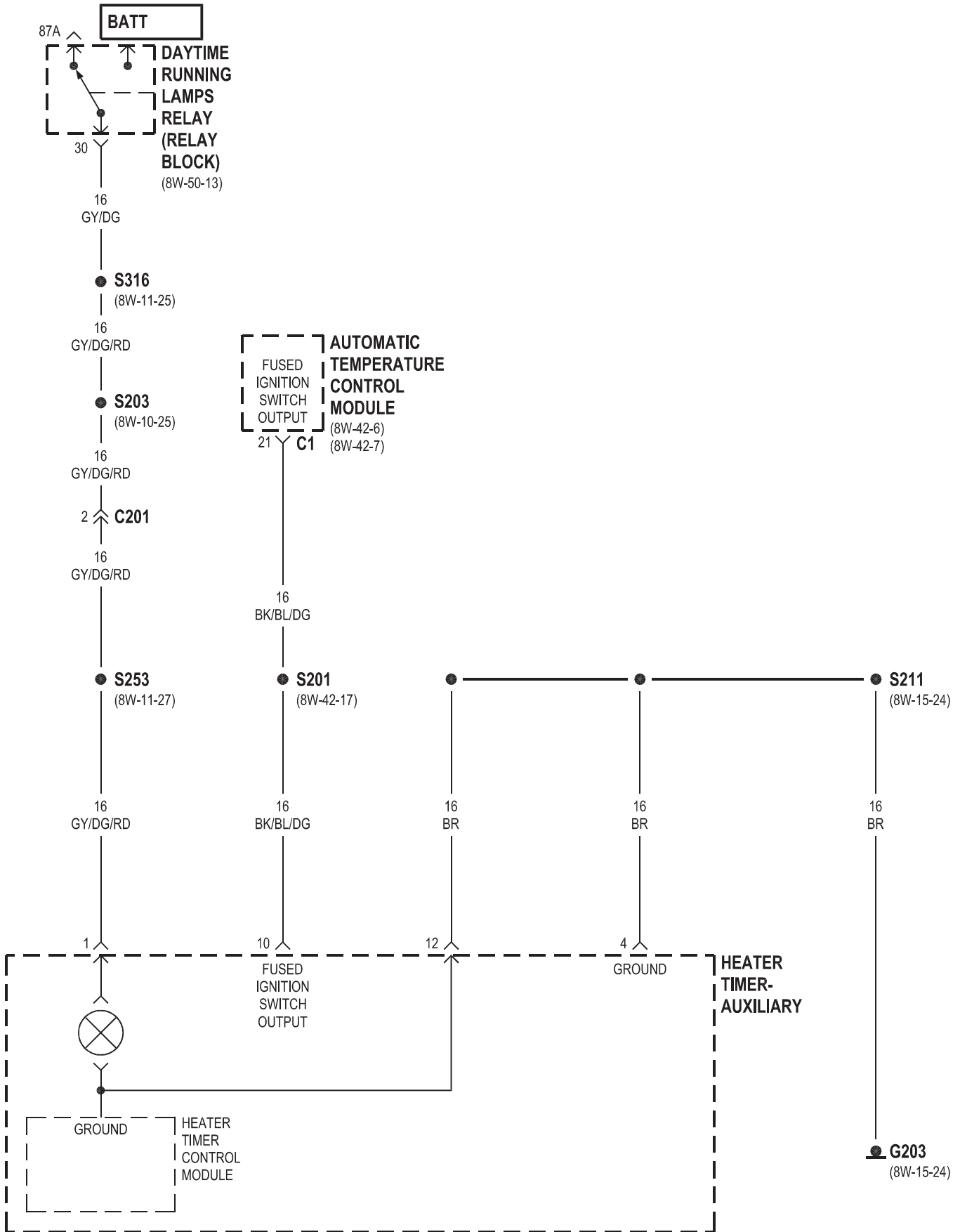


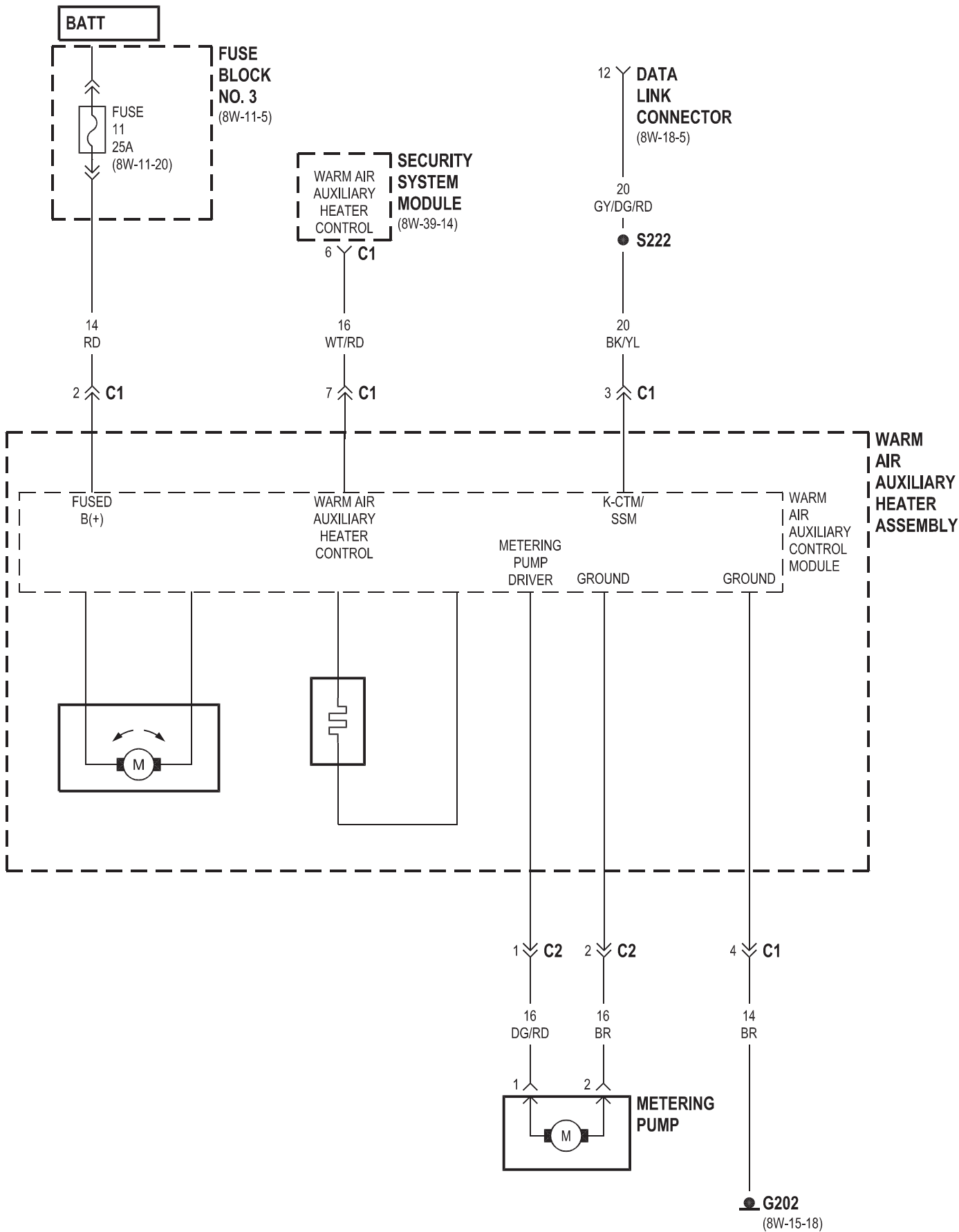
ADDITIONAL
HEAT
EXCHANGER
SWITCH
(8W-42-17)

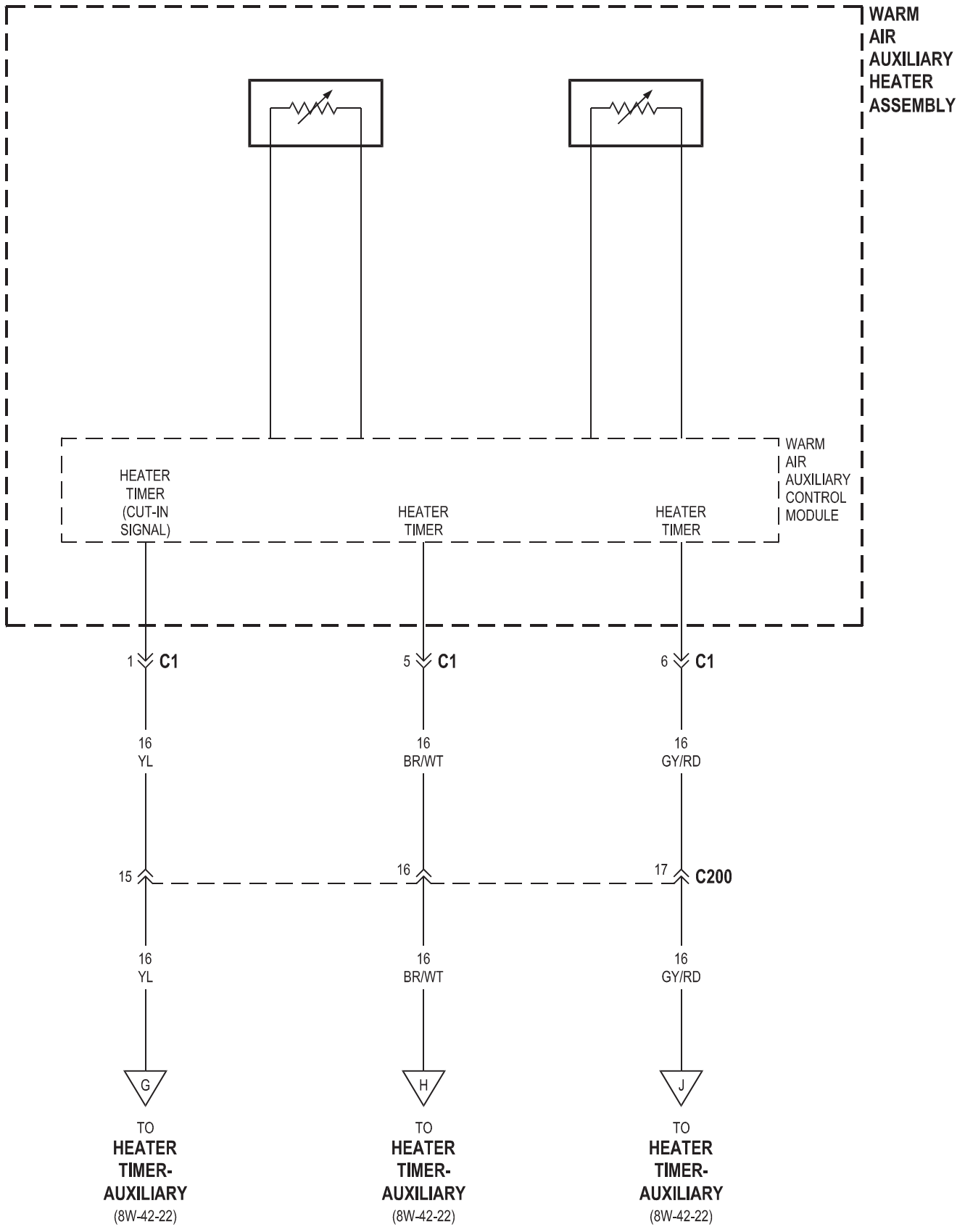
G202
(8W-15-12)

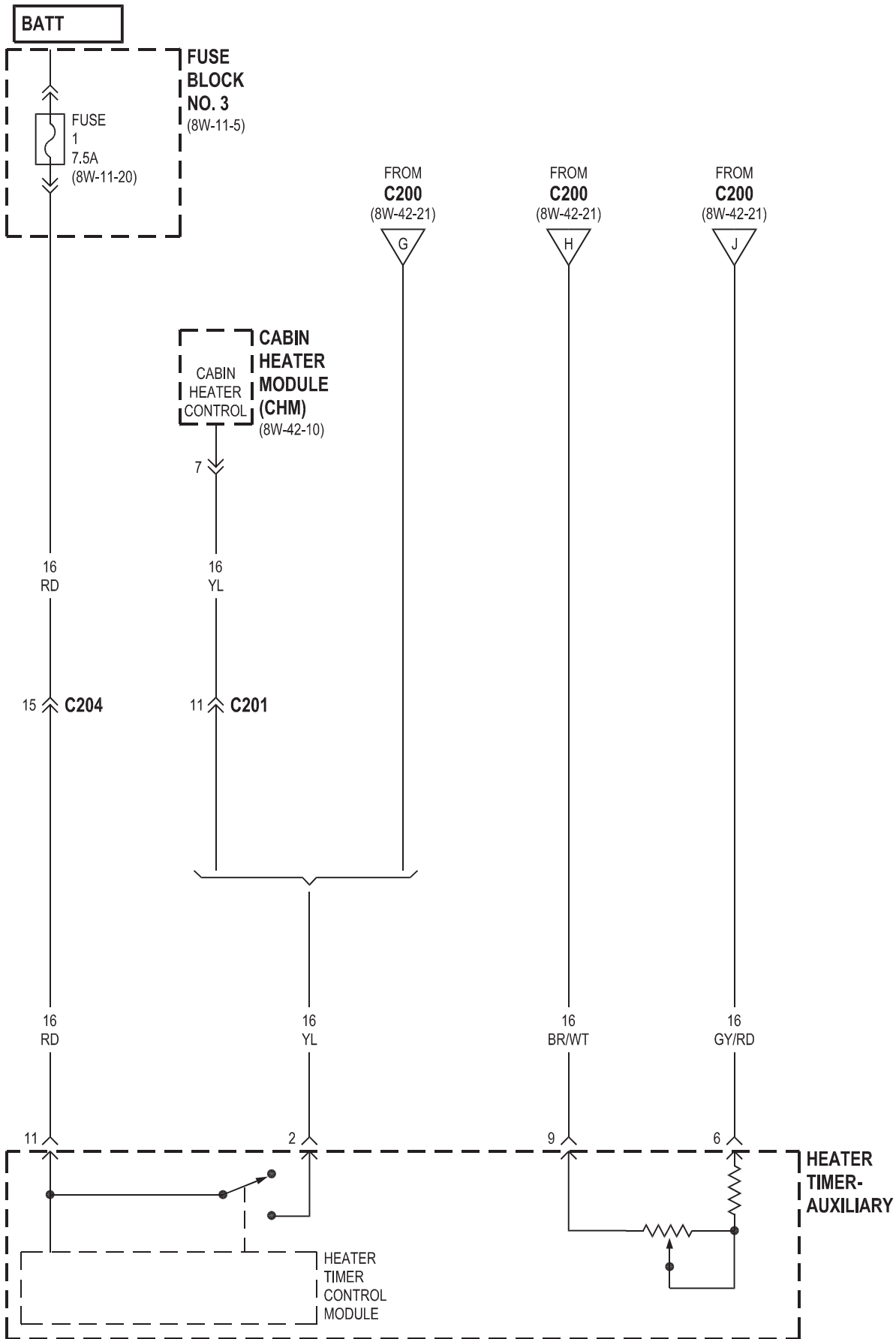


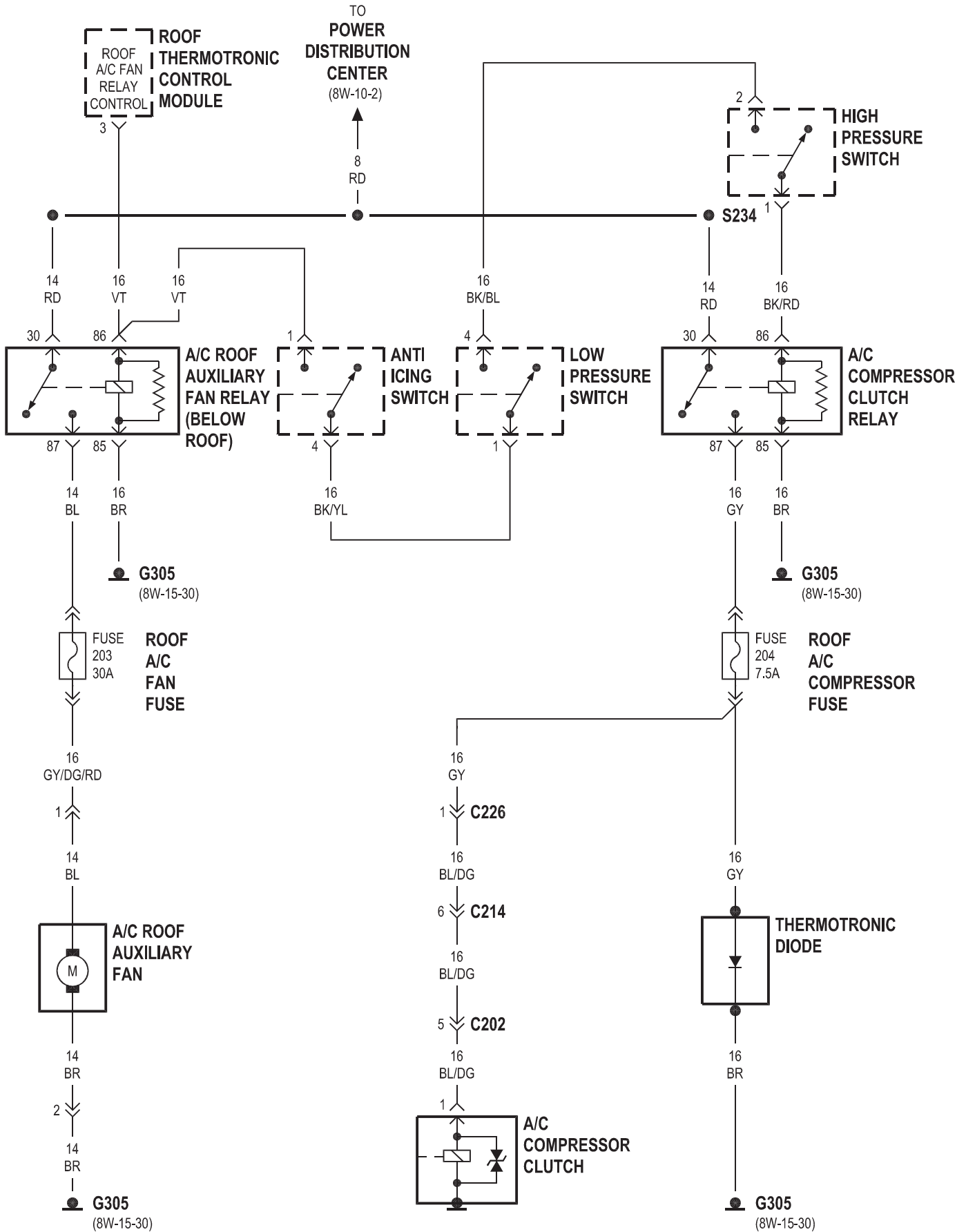


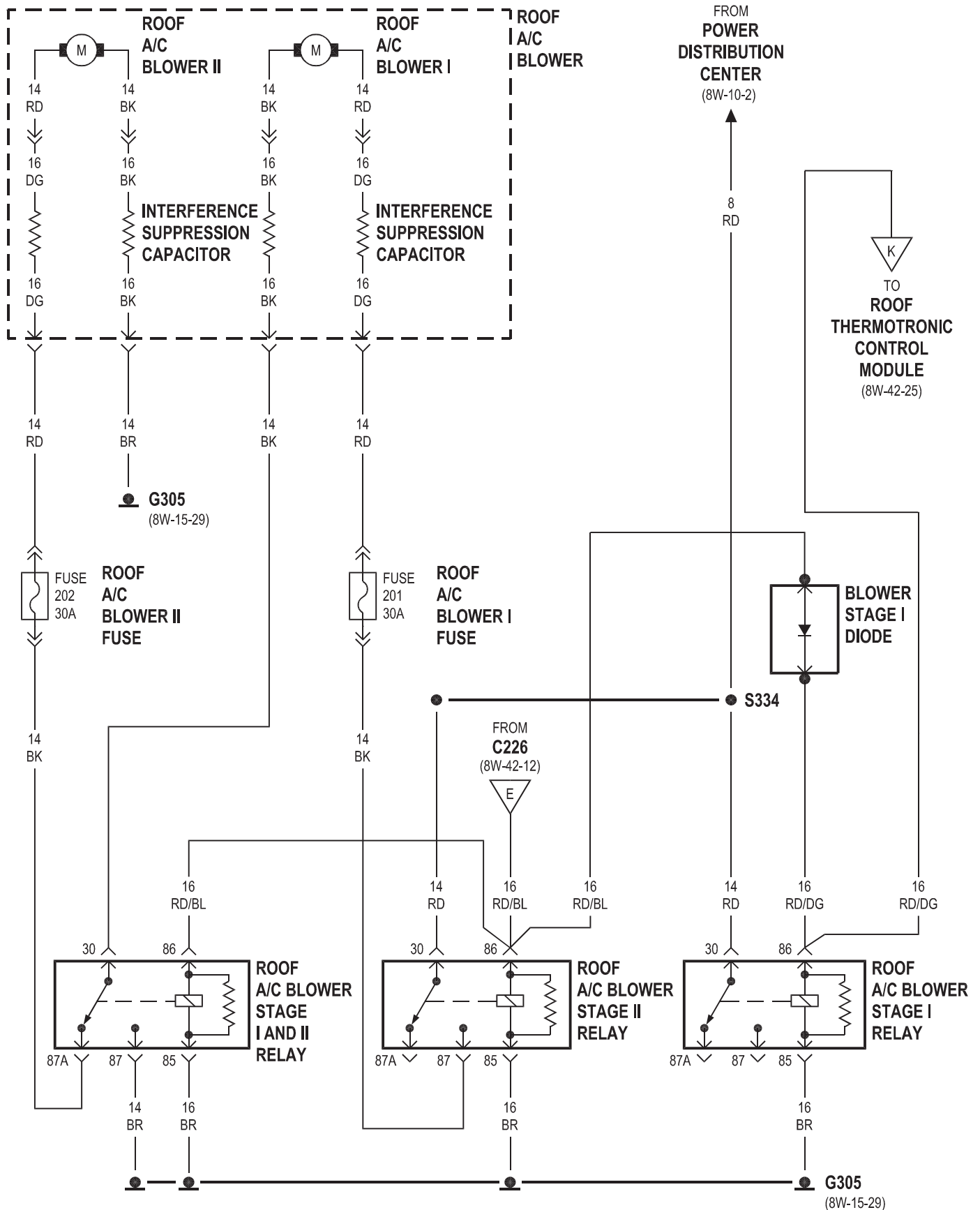


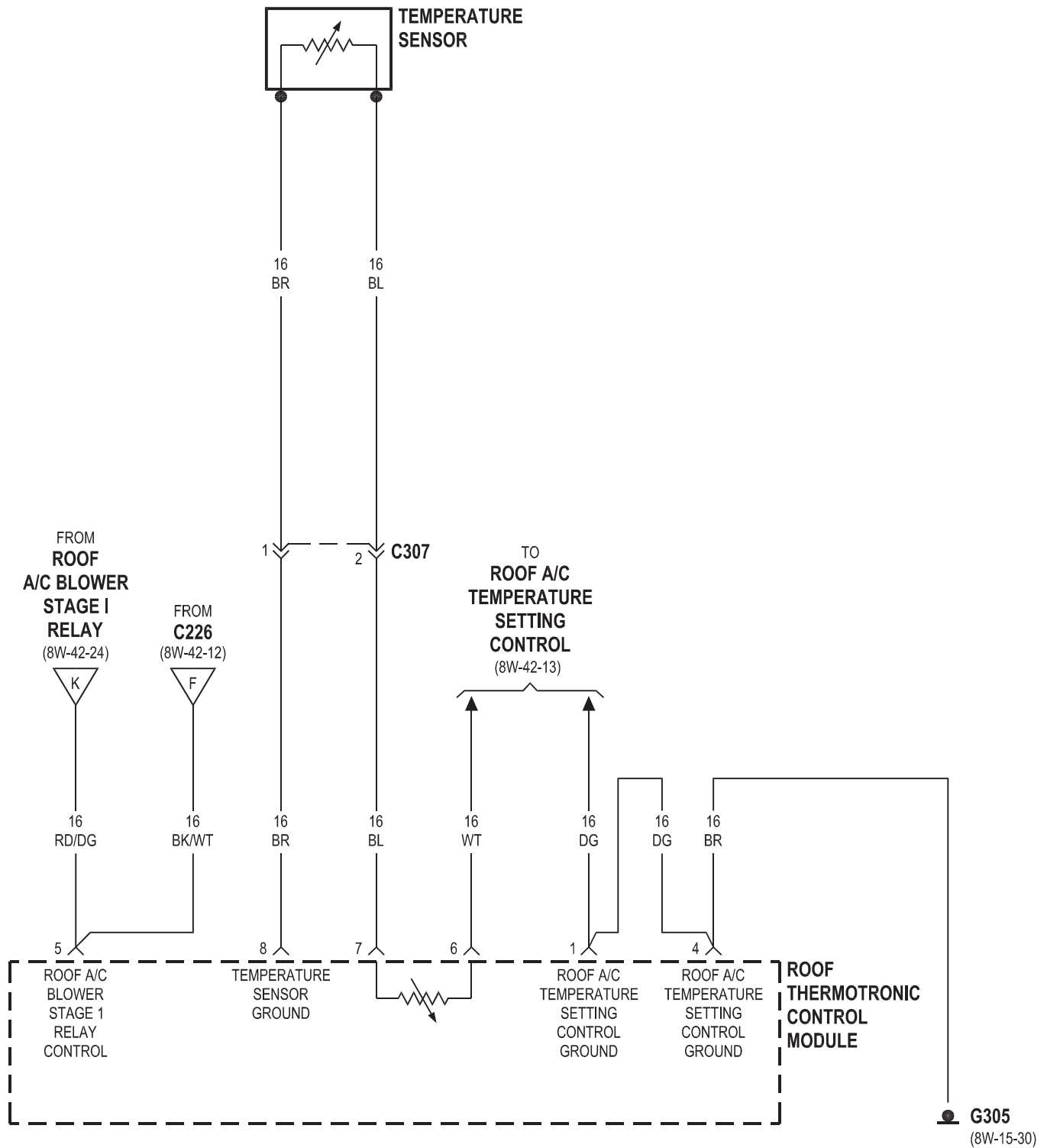






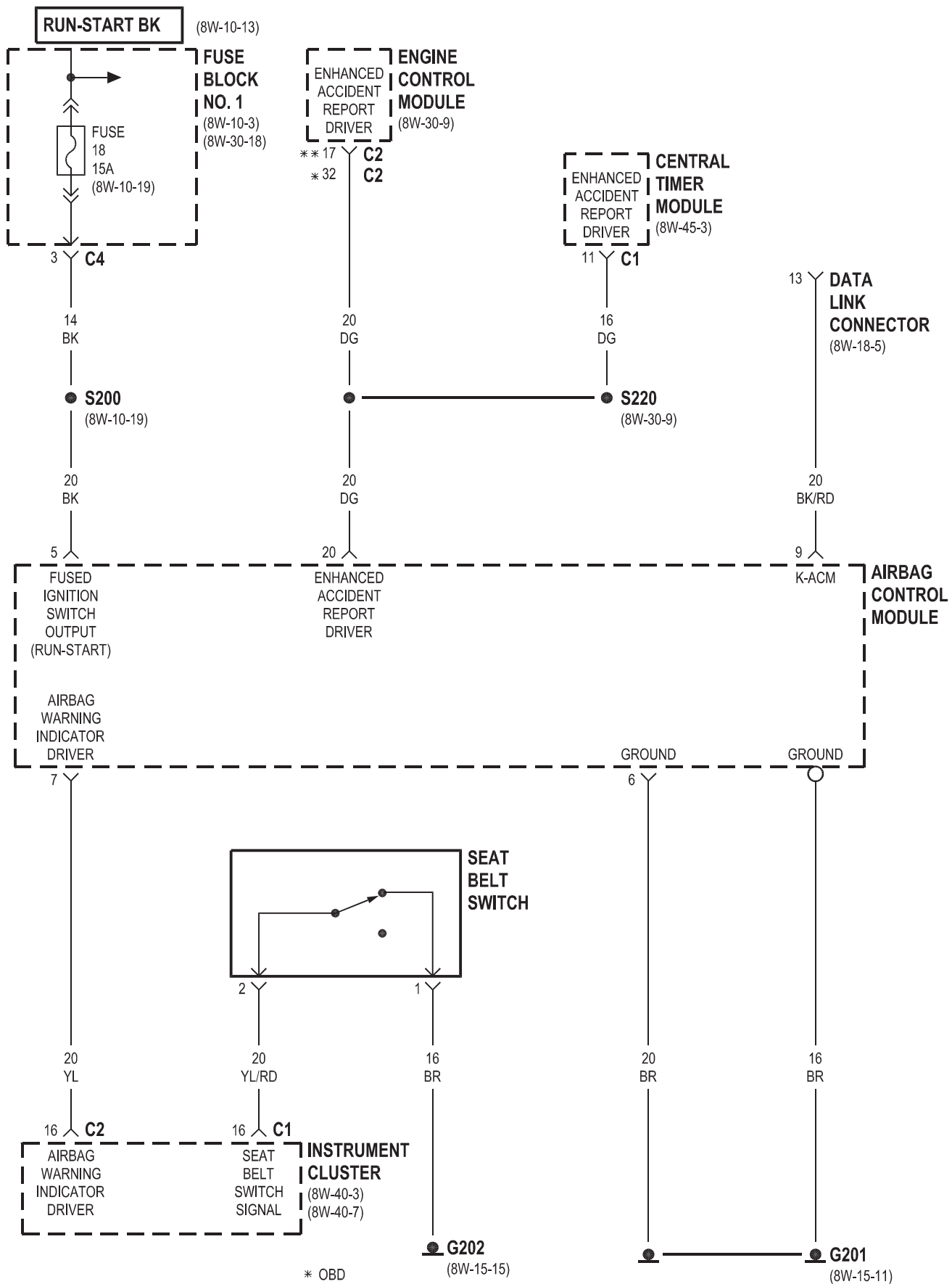




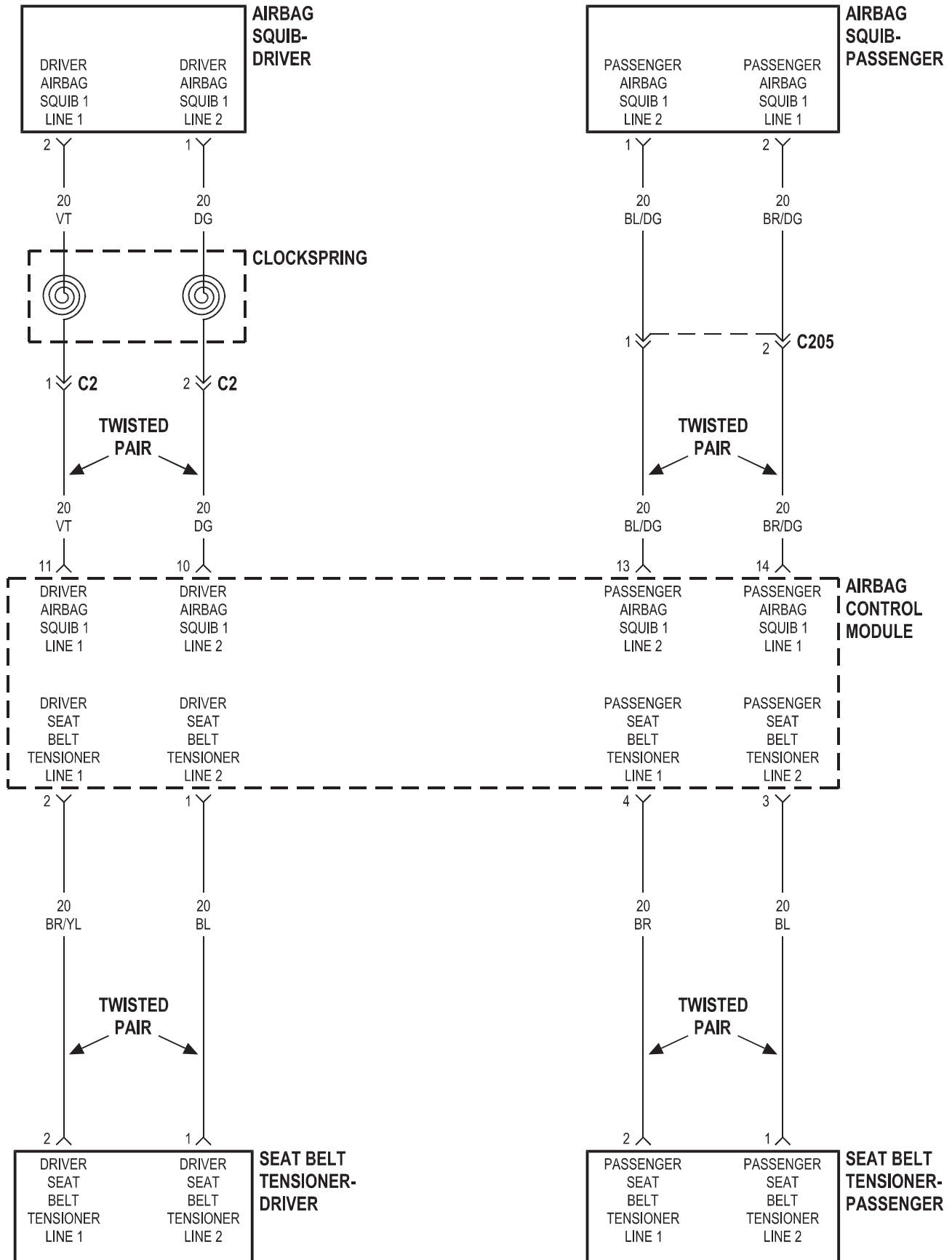


8W-43 AIRBAG SYSTEM

Component	Page	Component	Page
Airbag Control Module	8W-43-2, 3	Fuse Block No. 1	8W-43-2
Airbag Squib-Driver	8W-43-3	G201	8W-43-2
Airbag Squib-Passenger	8W-43-3	G202	8W-43-2
Central Timer Module	8W-43-2	Instrument Cluster	8W-43-2
Clockspring	8W-43-3	Seat Belt Switch	8W-43-2
Data Link Connector	8W-43-2	Seat Belt Tensioner-Driver	8W-43-3
Engine Control Module	8W-43-2	Seat Belt Tensioner-Passenger	8W-43-3
Fuse 18	8W-43-2		



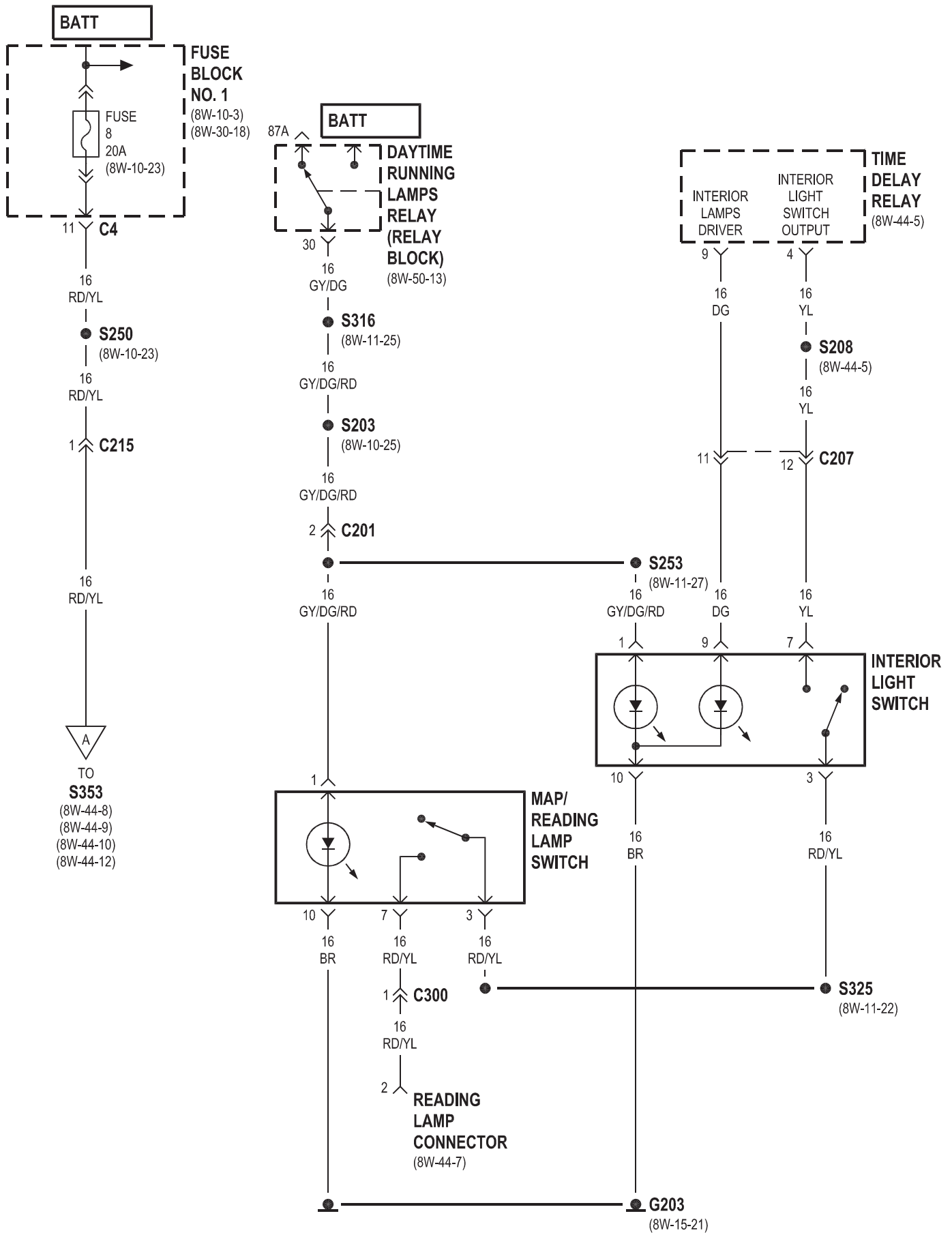
* OBD
 ** EXCEPT OBD

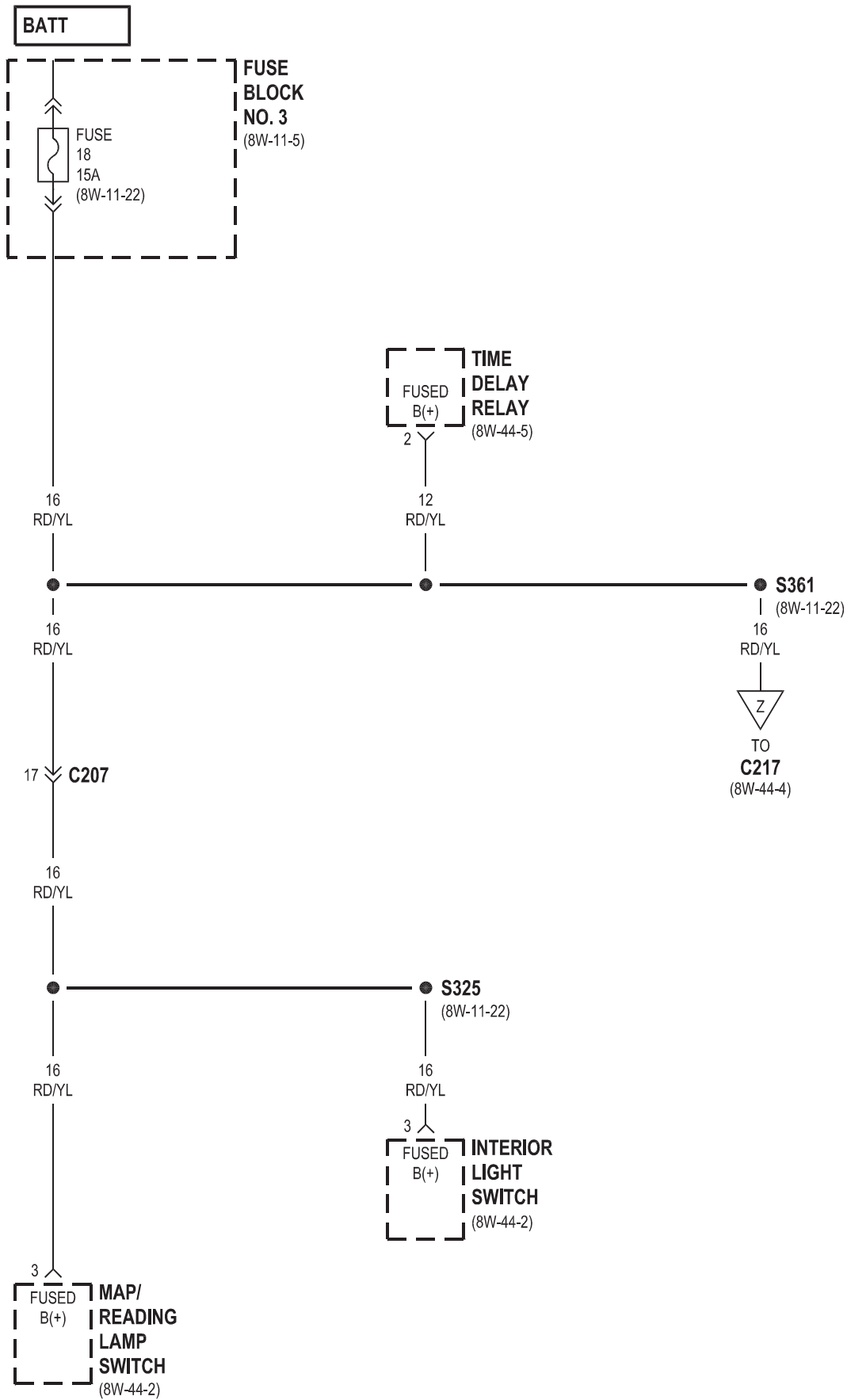


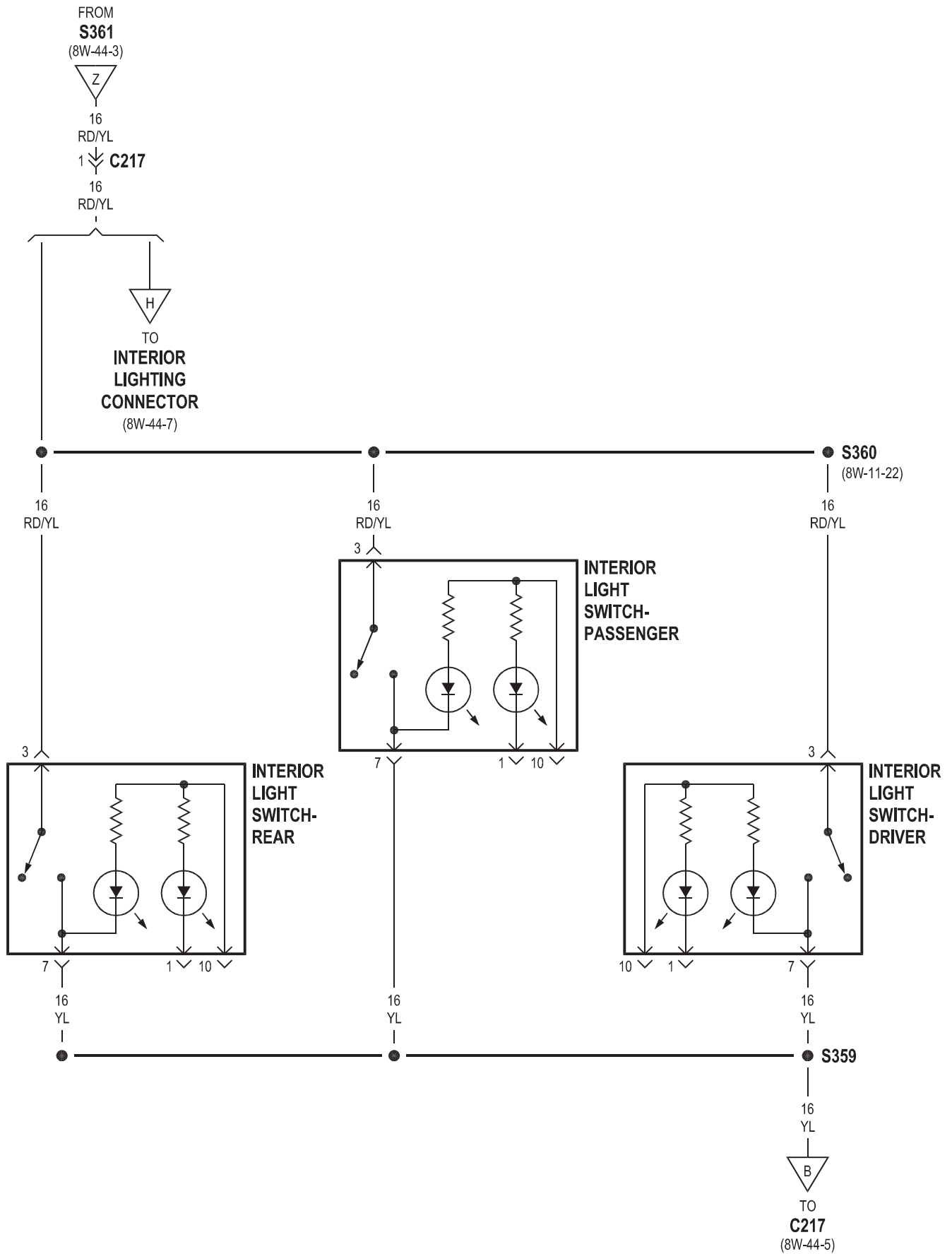
8W-44 INTERIOR LIGHTING

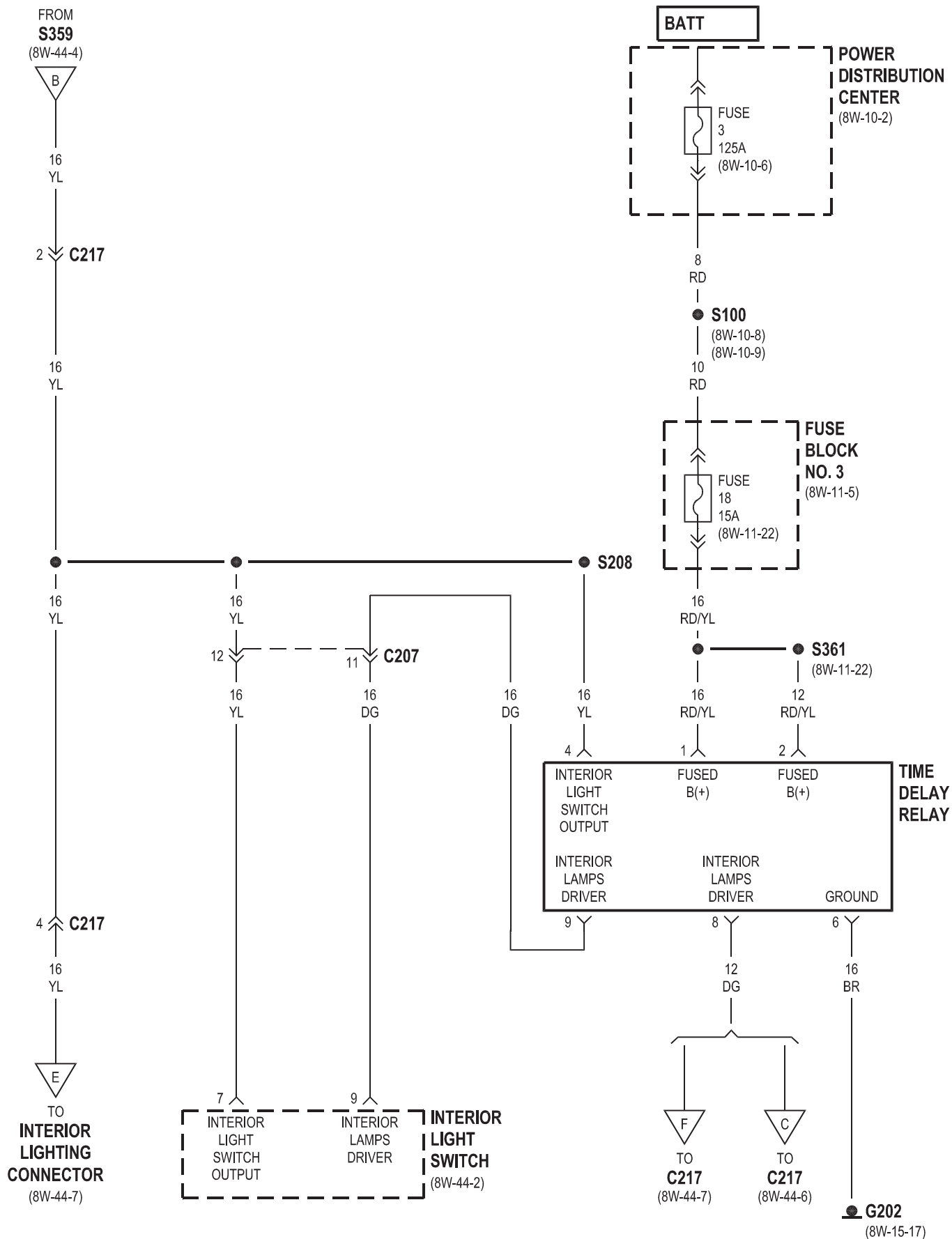
Component	Page
Ash Receiver Lamp	8W-44-11
Cigar Lighter	8W-44-11
Cigar Lighter Lamp	8W-44-11
Courtesy Lamp-Driver Door	8W-44-12
Courtesy Lamp-Left Sliding Door	8W-44-12
Courtesy Lamp-Passenger Door	8W-44-12
Courtesy Lamp-Right Sliding Door	8W-44-12
Daytime Running Lamps Relay	8W-44-2, 11
Dome Lamp	8W-44-9
Door Jamb Switch-Driver	8W-44-9
Door Jamb Switch-Passenger	8W-44-9
Door Jamb Switch-Rear	8W-44-8
Fuse 3	8W-44-5
Fuse 8	8W-44-2
Fuse 18	8W-44-3, 5
Fuse Block No. 1	8W-44-2
Fuse Block No. 3	8W-44-3, 5
G200	8W-44-7, 8, 10
G202	8W-44-5
G203	8W-44-2, 11
Interior Lamp No. 1	8W-44-6

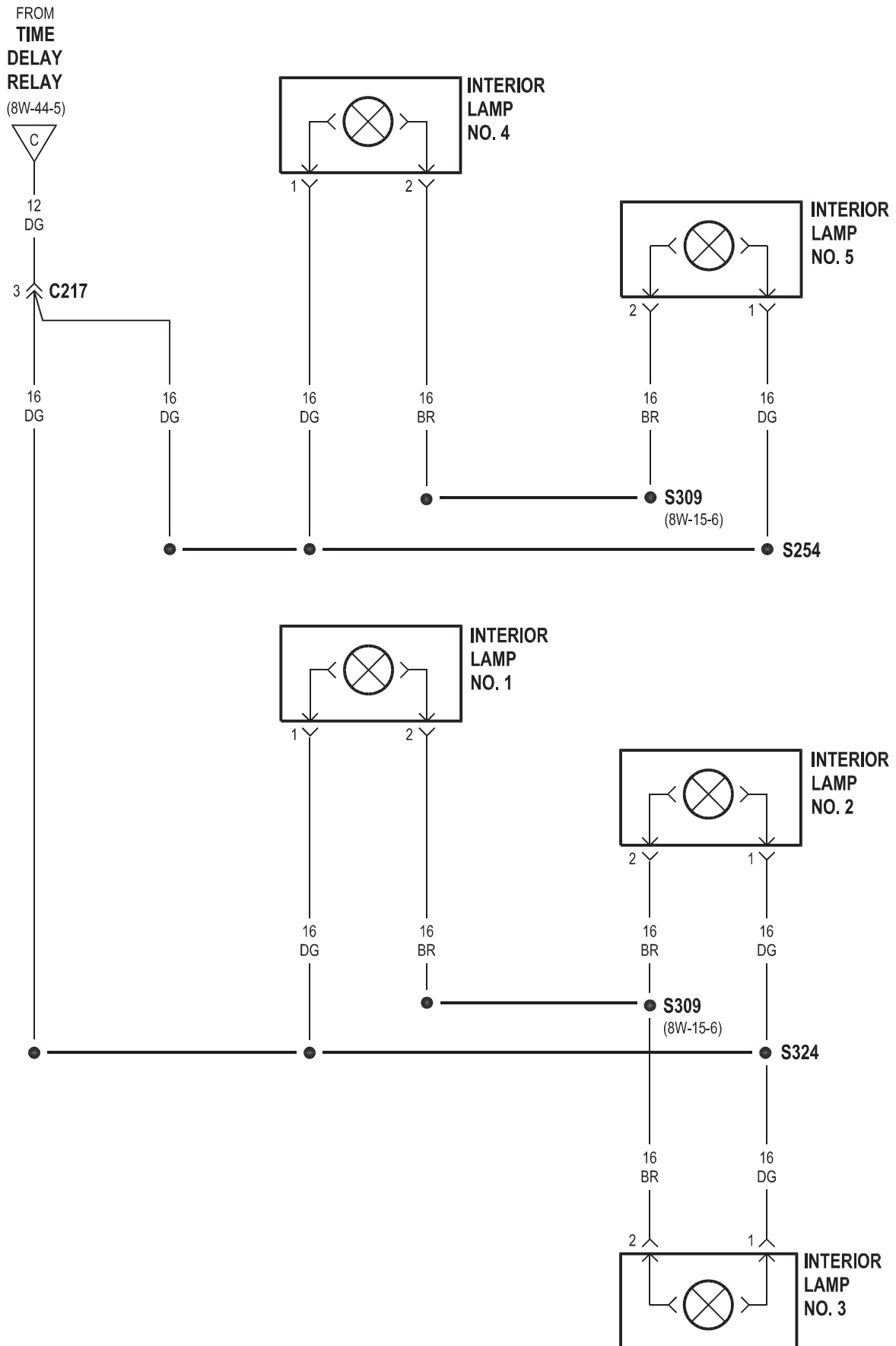
Component	Page
Interior Lamp No. 2	8W-44-6
Interior Lamp No. 3	8W-44-6
Interior Lamp No. 4	8W-44-6
Interior Lamp No. 5	8W-44-6
Interior Lamp-Left	8W-44-9
Interior Lamp-Middle Front	8W-44-10
Interior Lamp-Middle Rear	8W-44-10
Interior Lamp-Rear No. 1	8W-44-9
Interior Lamp-Rear No. 2	8W-44-8
Interior Lamp-Right	8W-44-8
Interior Light Switch	8W-44-2, 3, 5
Interior Light Switch-Driver	8W-44-4
Interior Light Switch-Passenger	8W-44-4
Interior Light Switch-Rear	8W-44-4
Interior Lighting Connector	8W-44-4, 5, 7
Map/Reading Lamp Switch	8W-44-2, 3, 7
Power Distribution Center	8W-44-5
Reading Lamp Connector	8W-44-2, 7
Time Delay Relay	8W-44-2, 3, 5, 6, 7

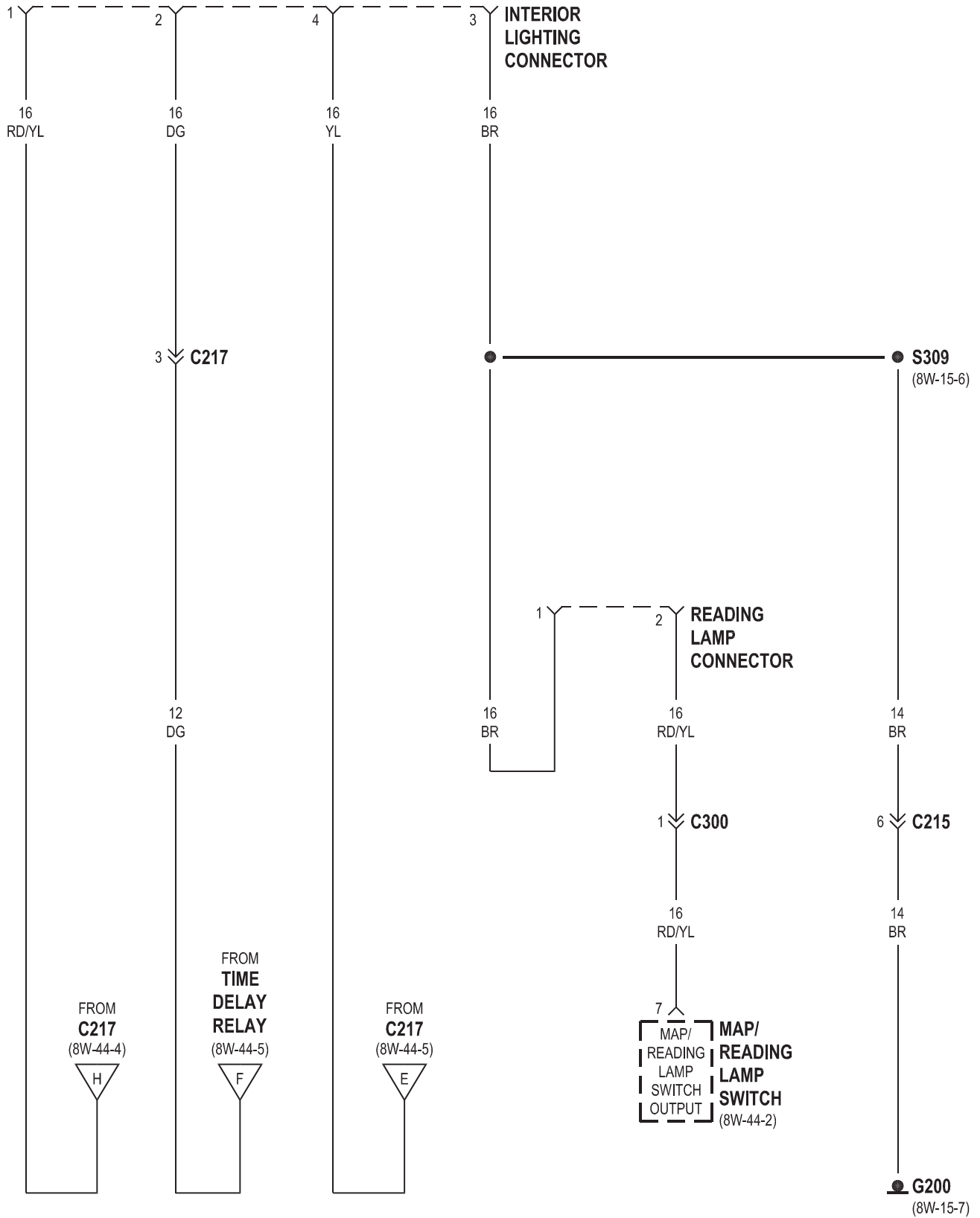


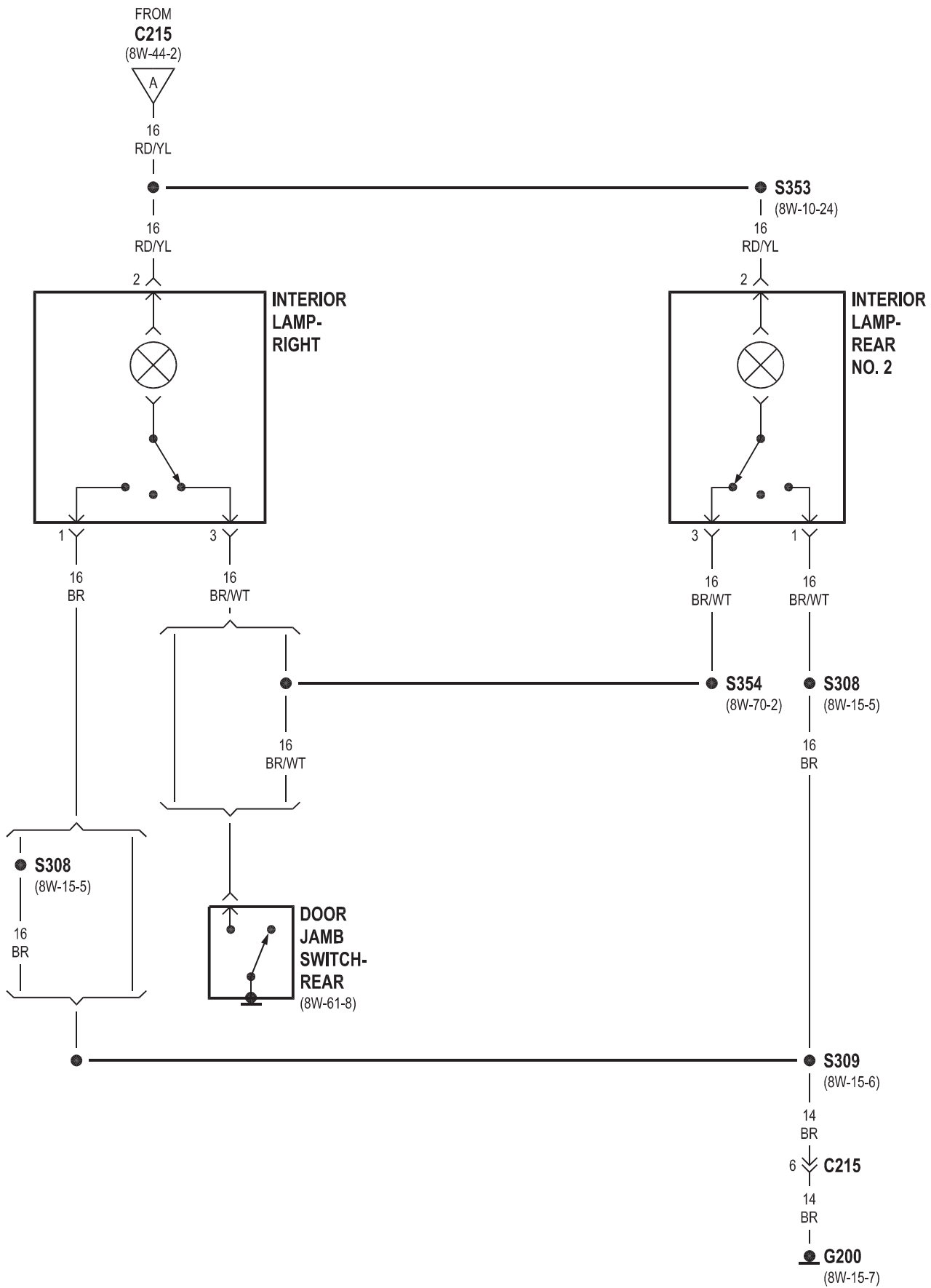


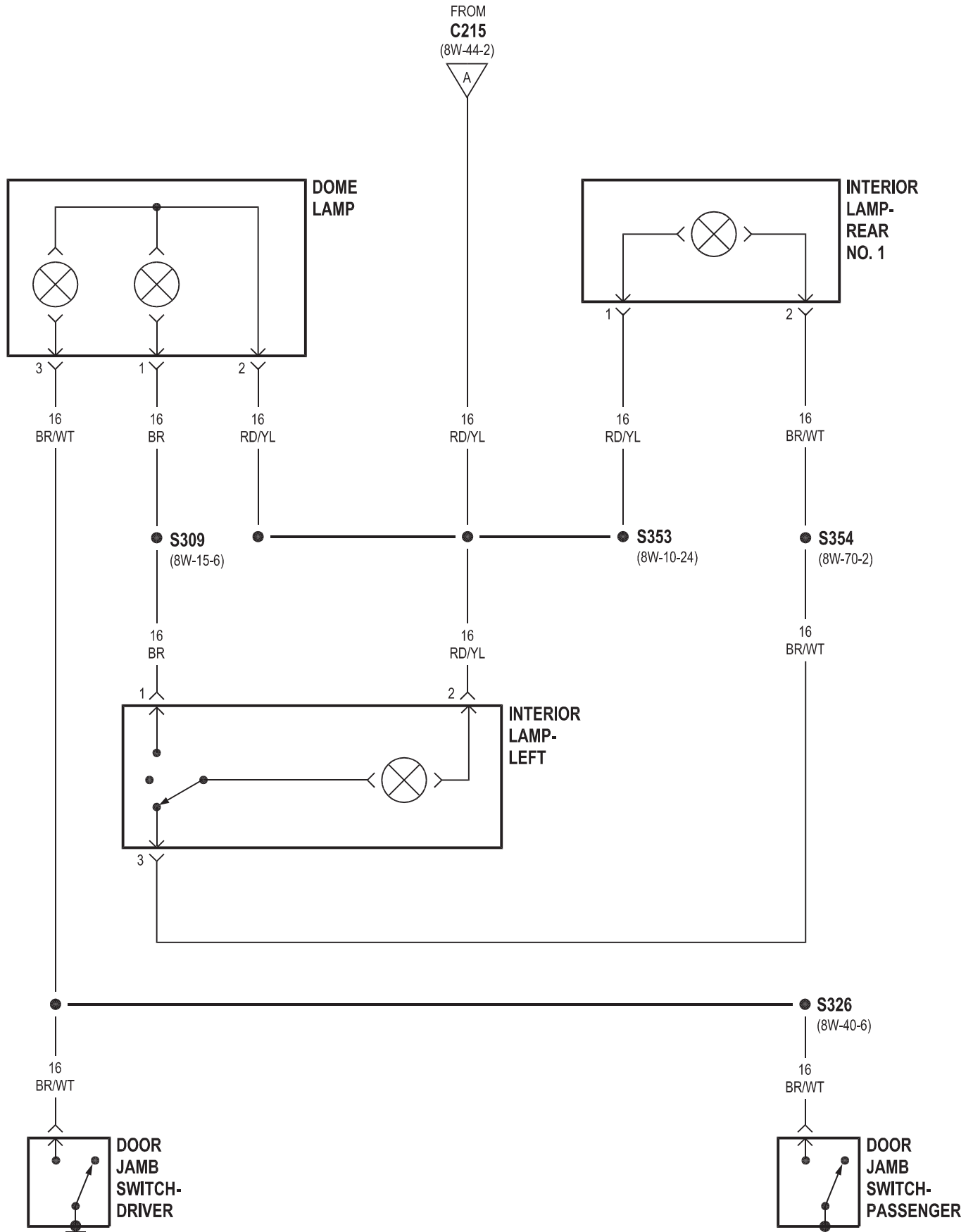


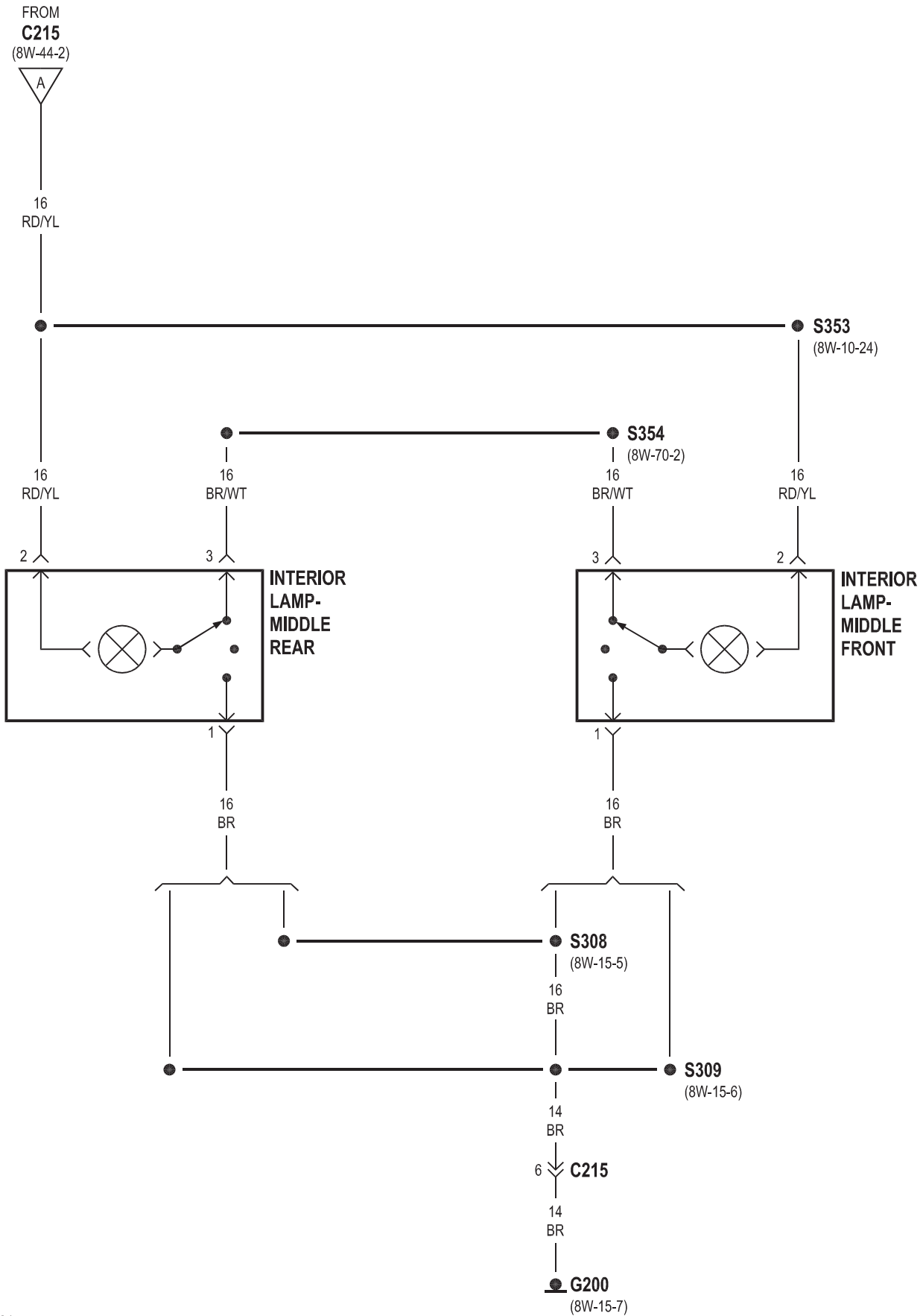


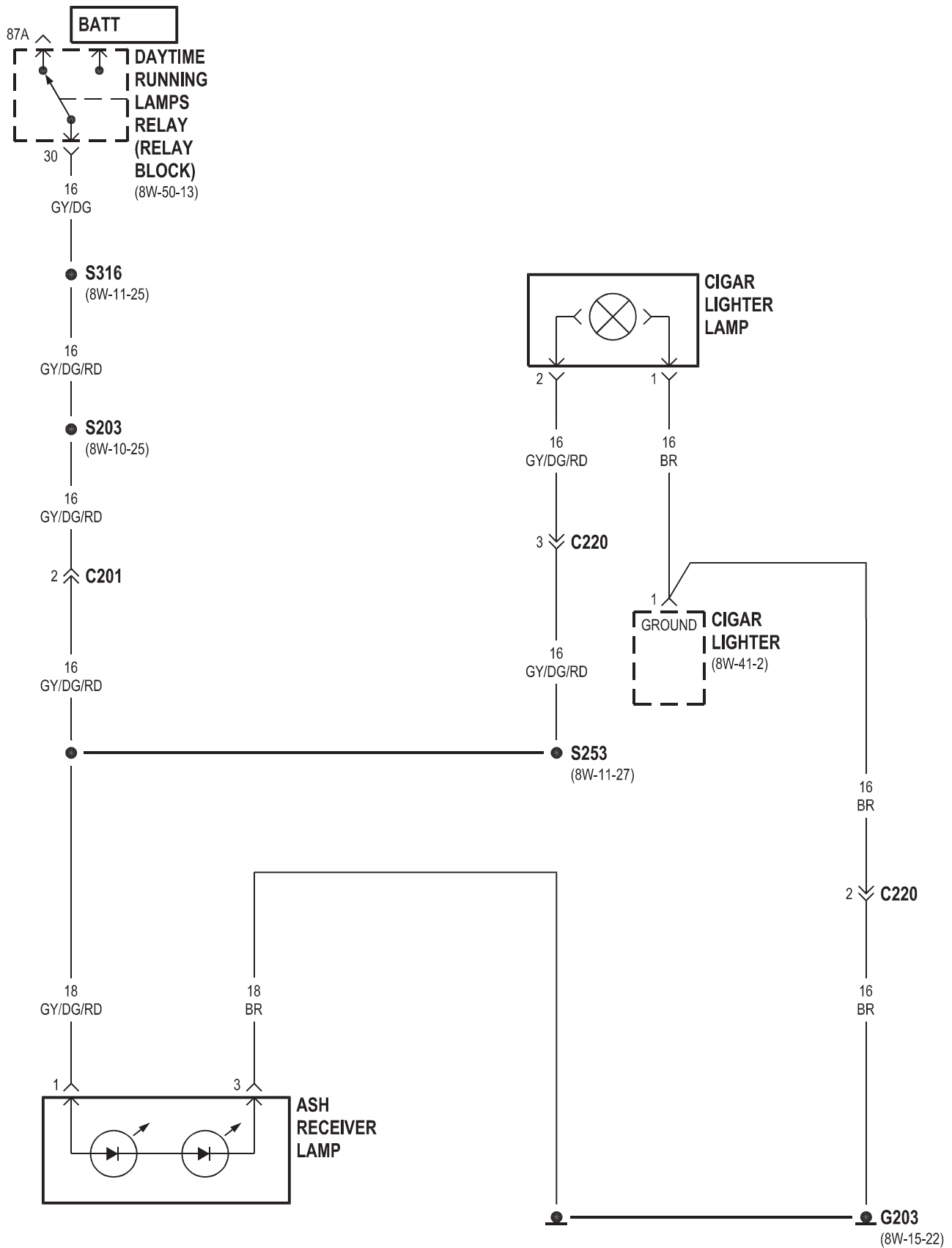


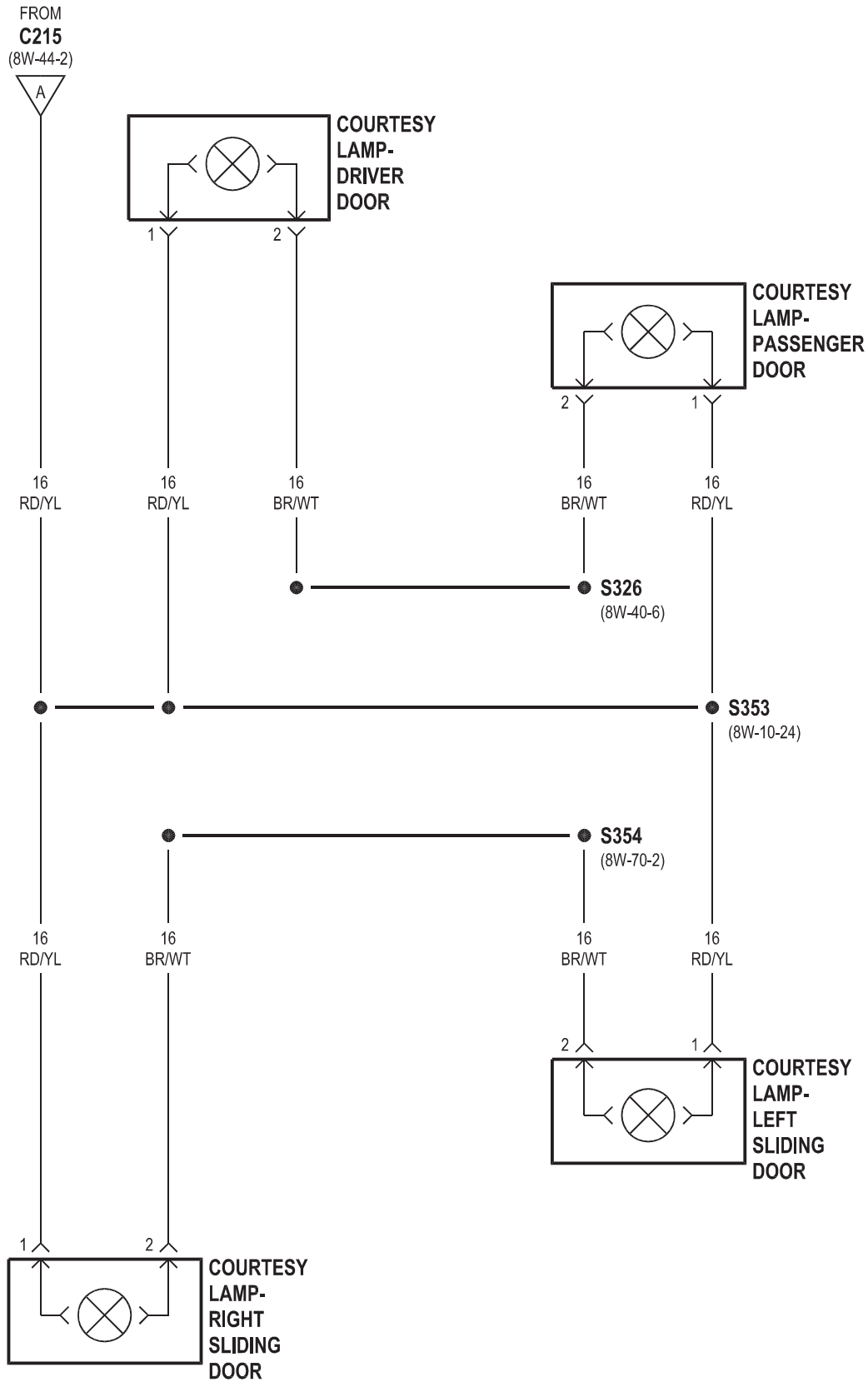






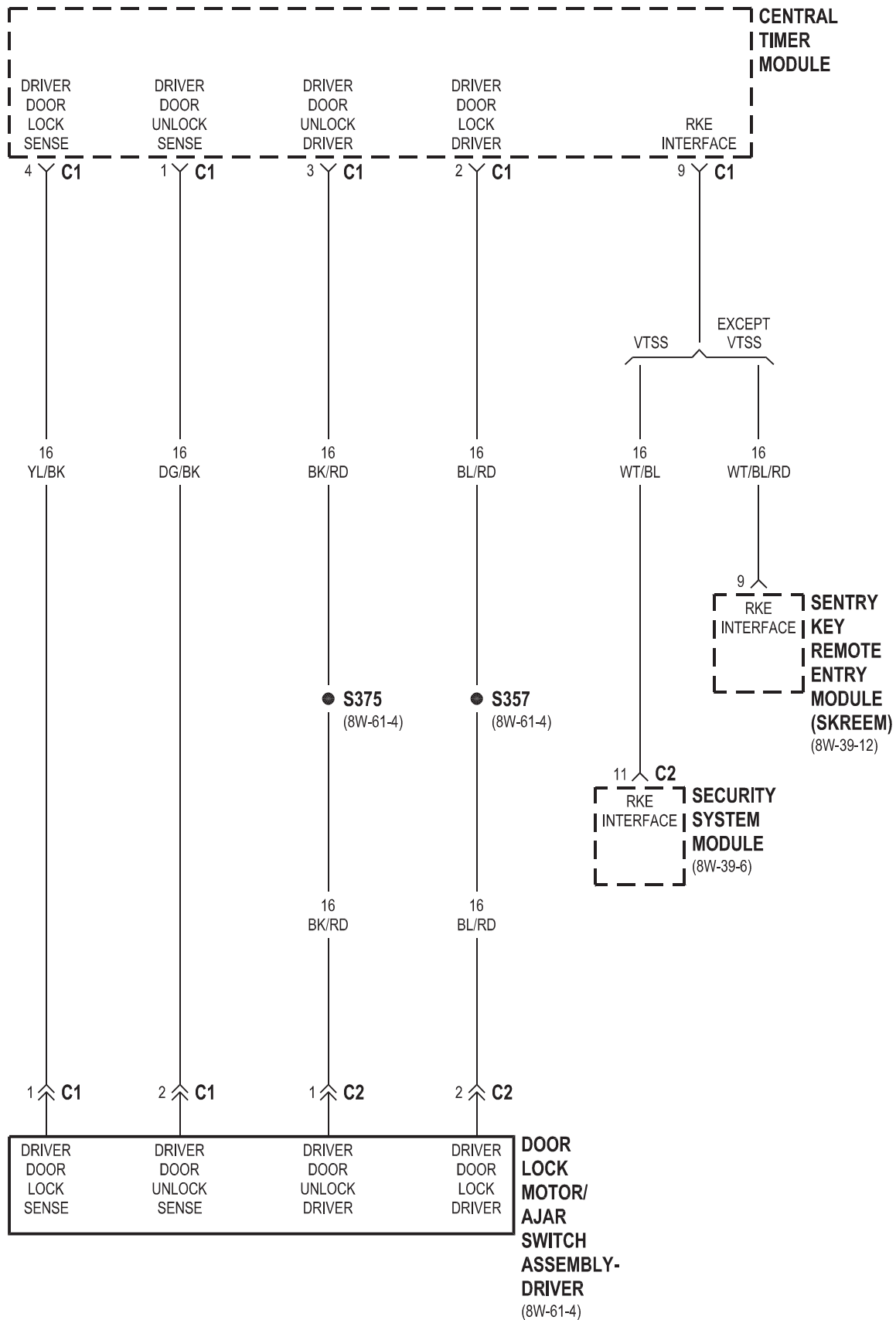


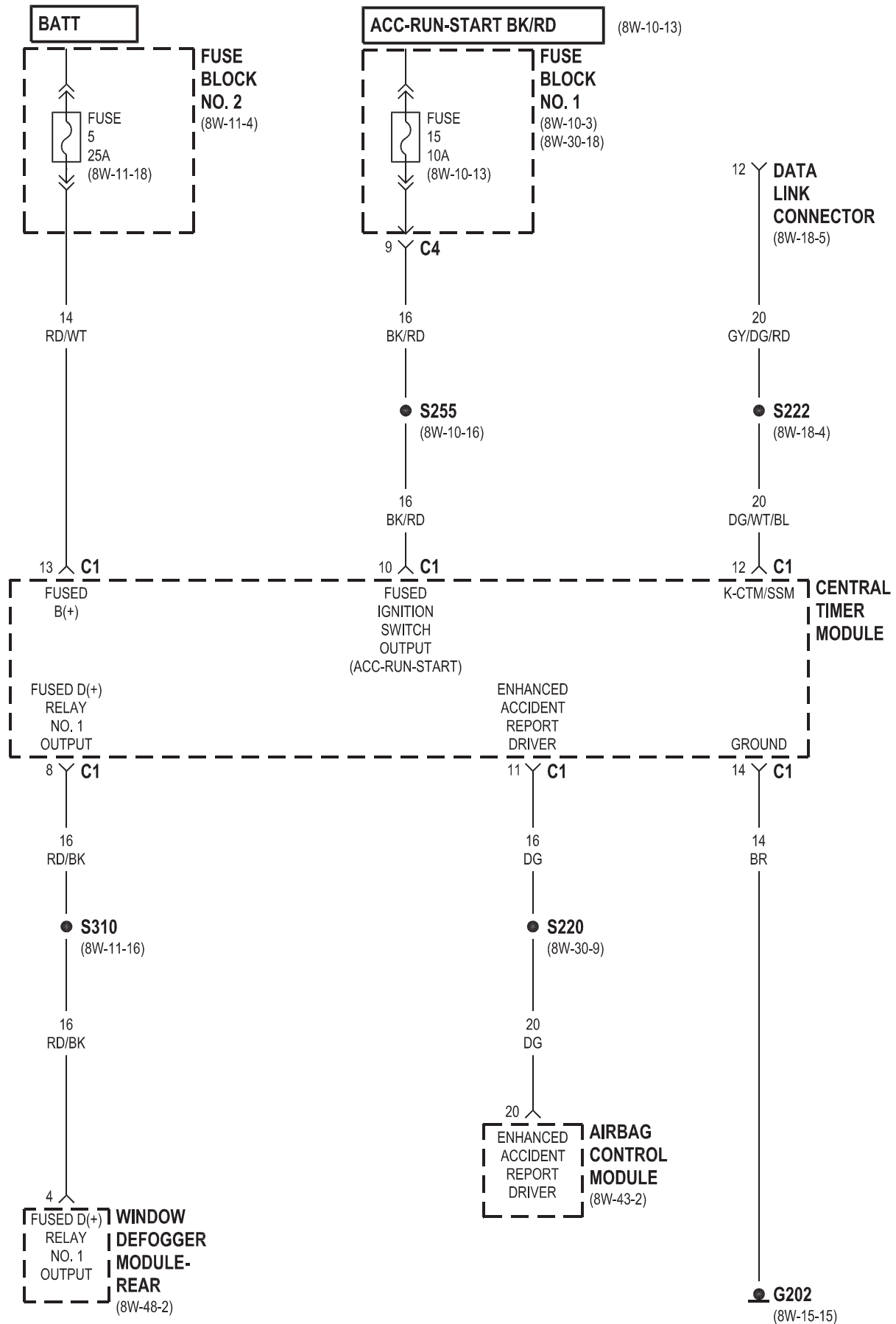


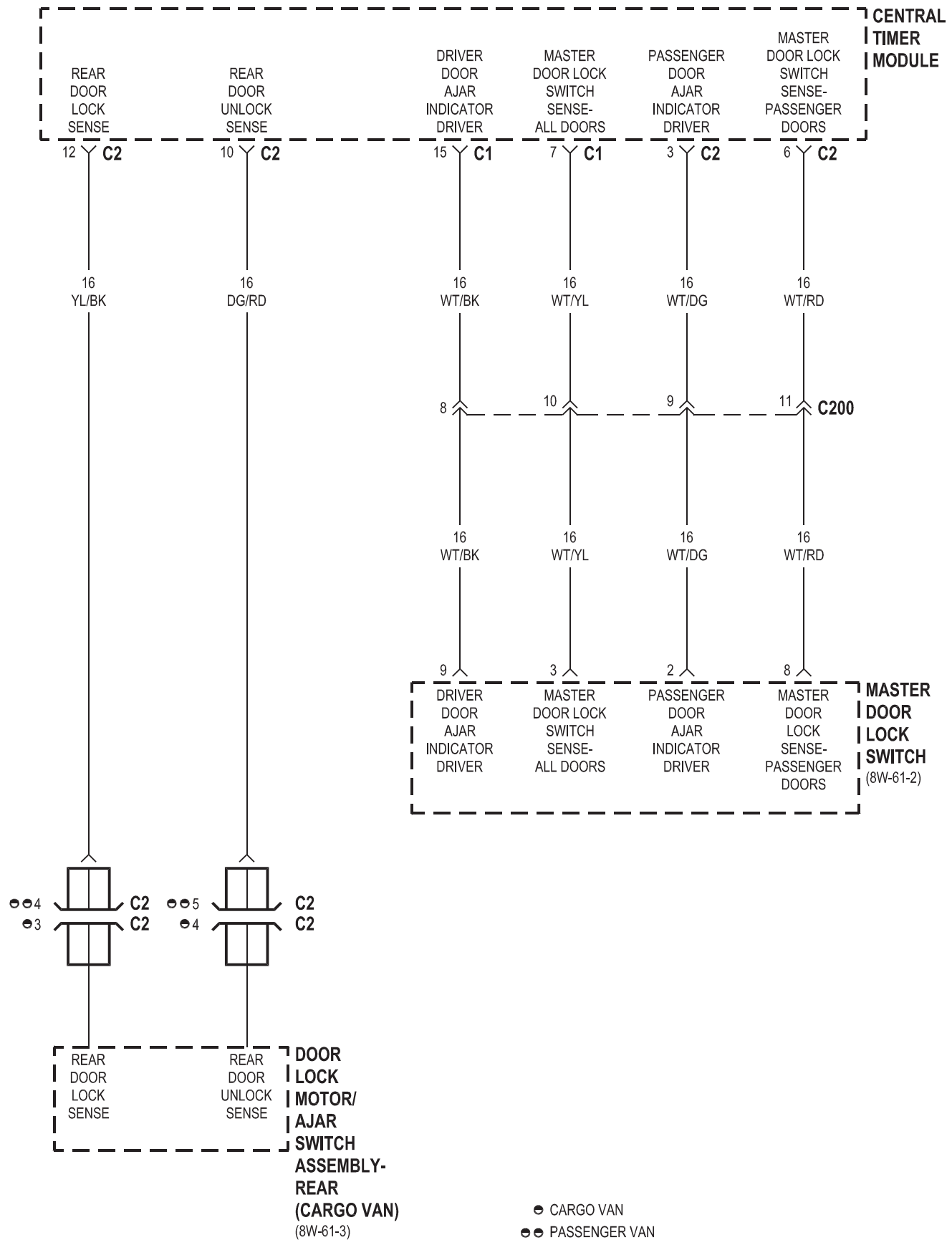


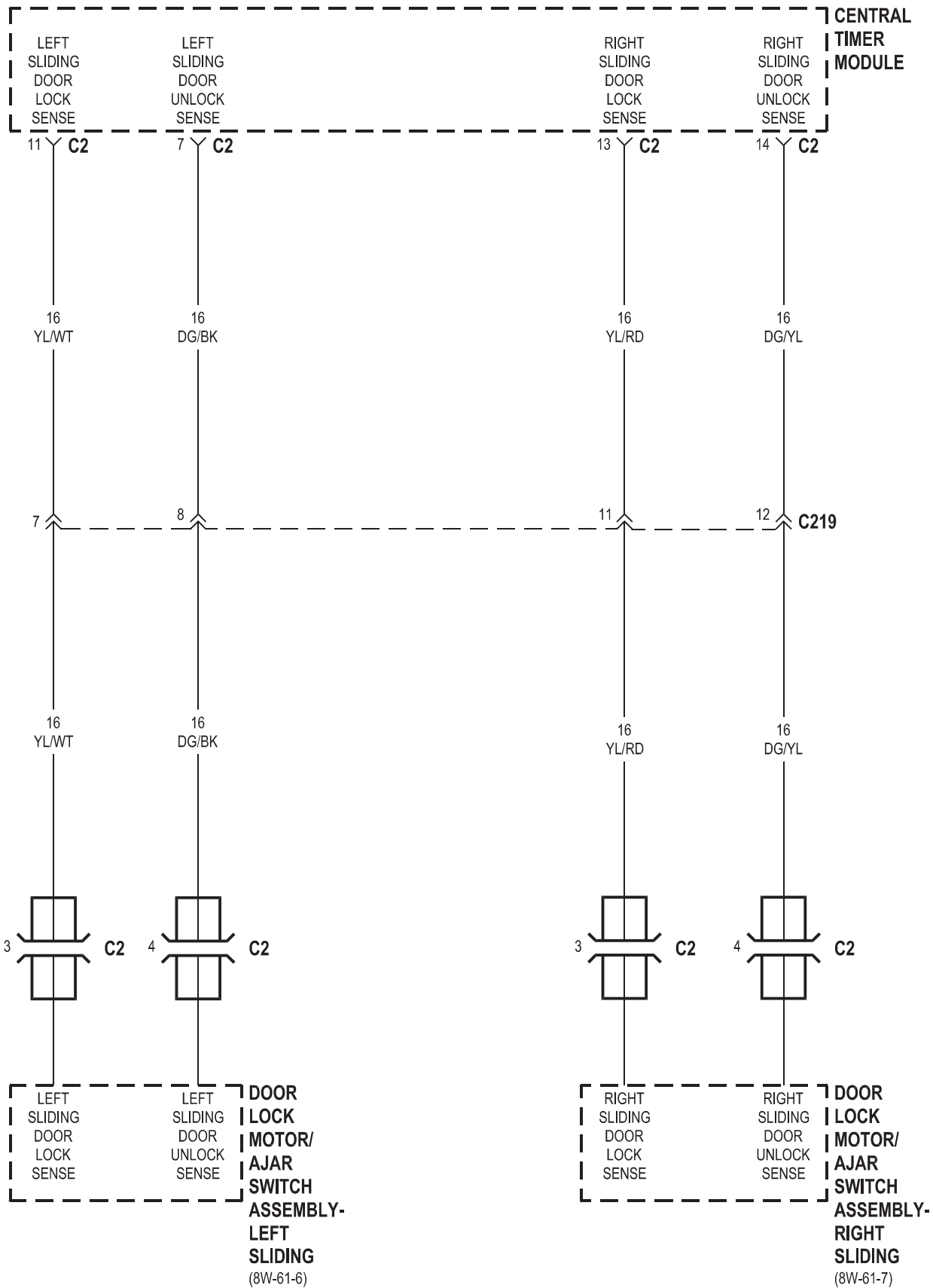
8W-45 CENTRAL TIMER MODULE

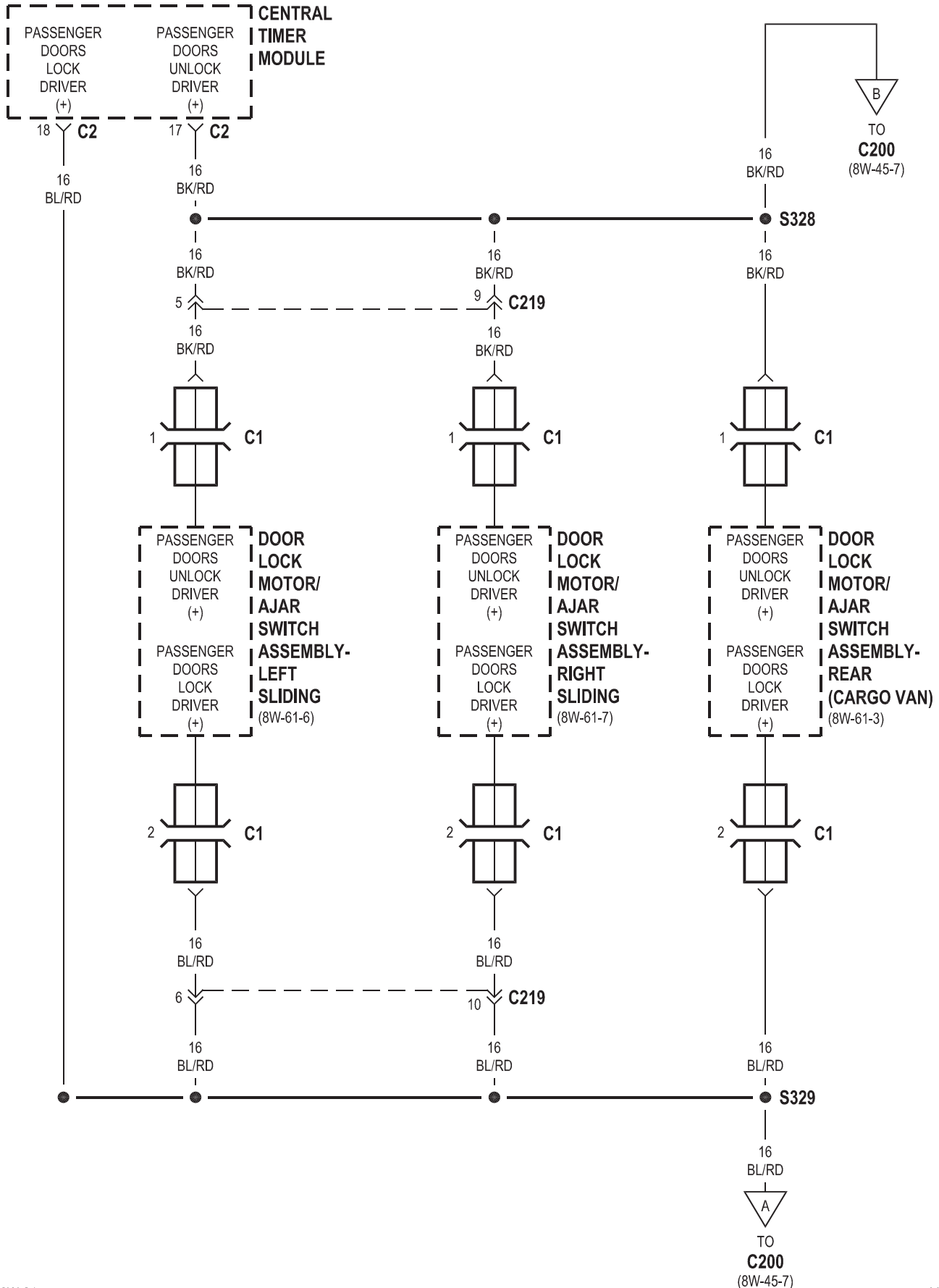
Component	Page	Component	Page
Airbag Control Module	8W-45-3	Fuse 5	8W-45-3
Central Timer Module	8W-45-2, 3, 4, 5, 6, 7	Fuse 15	8W-45-3
Data Link Connector	8W-45-3	Fuse Block No. 1	8W-45-3
Door Lock Motor/Ajar Switch Assembly- Driver	8W-45-2	Fuse Block No. 2	8W-45-3
Door Lock Motor/Ajar Switch Assembly-Left Sliding	8W-45-5, 6	G202	8W-45-3
Door Lock Motor/Ajar Switch Assembly- Passenger	8W-45-7	Master Door Lock Switch	8W-45-4
Door Lock Motor/Ajar Switch Assembly- Rear	8W-45-4, 6	Security System Module	8W-45-2
Door Lock Motor/Ajar Switch Assembly-Right Sliding	8W-45-5, 6	Sentry Key Remote Entry Module	8W-45-2
		Window Defogger Module-Rear	8W-45-3

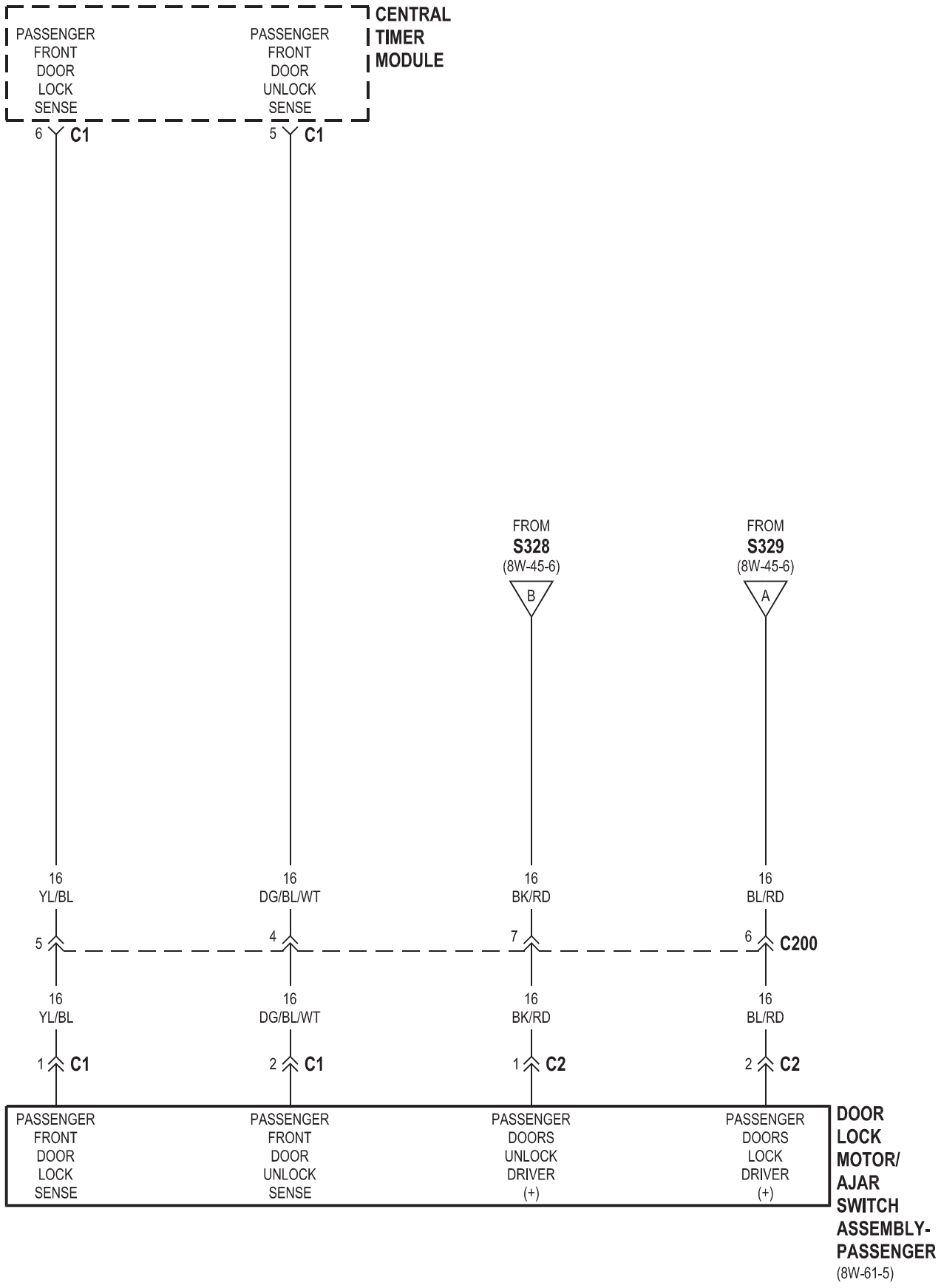






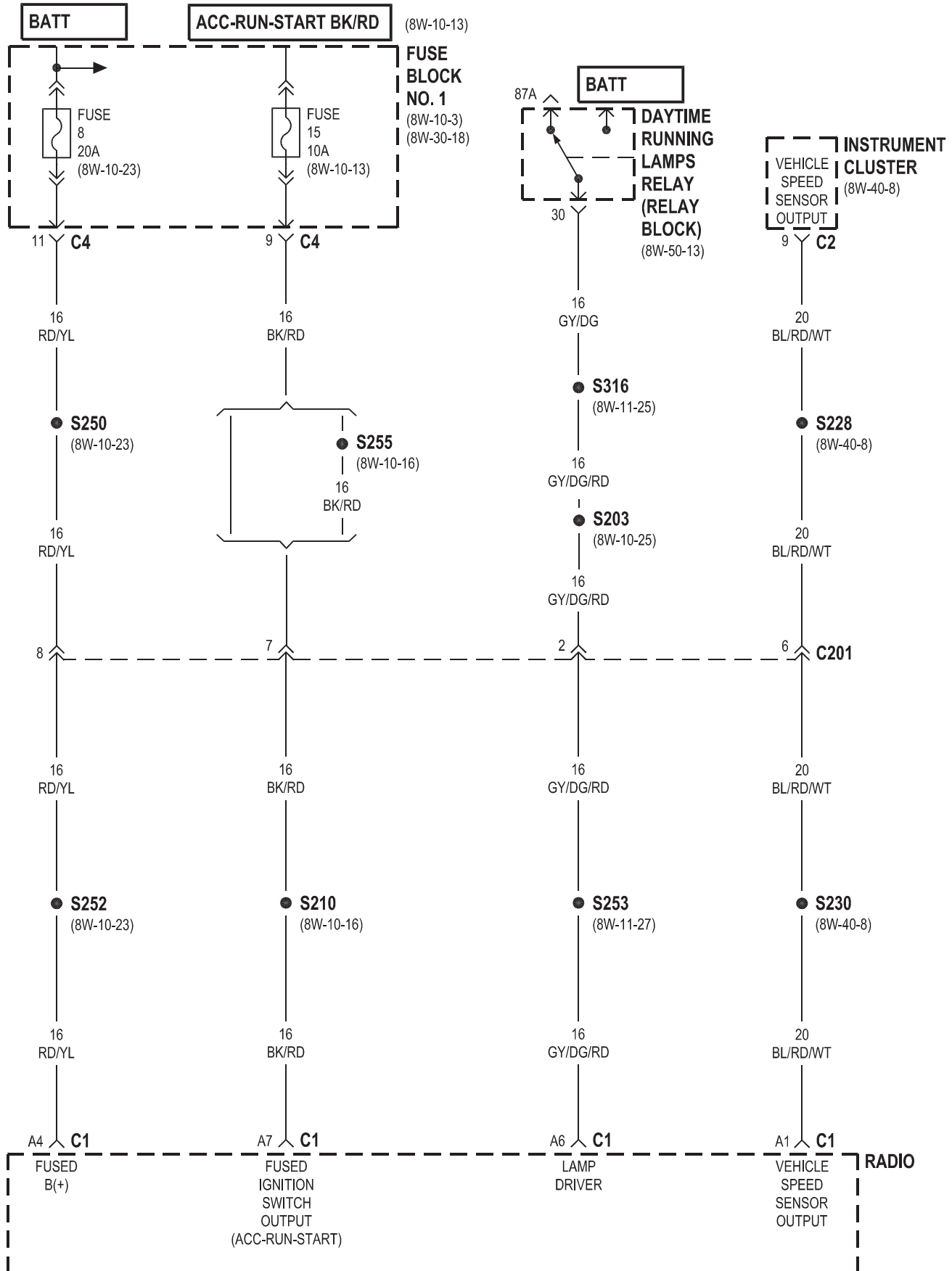


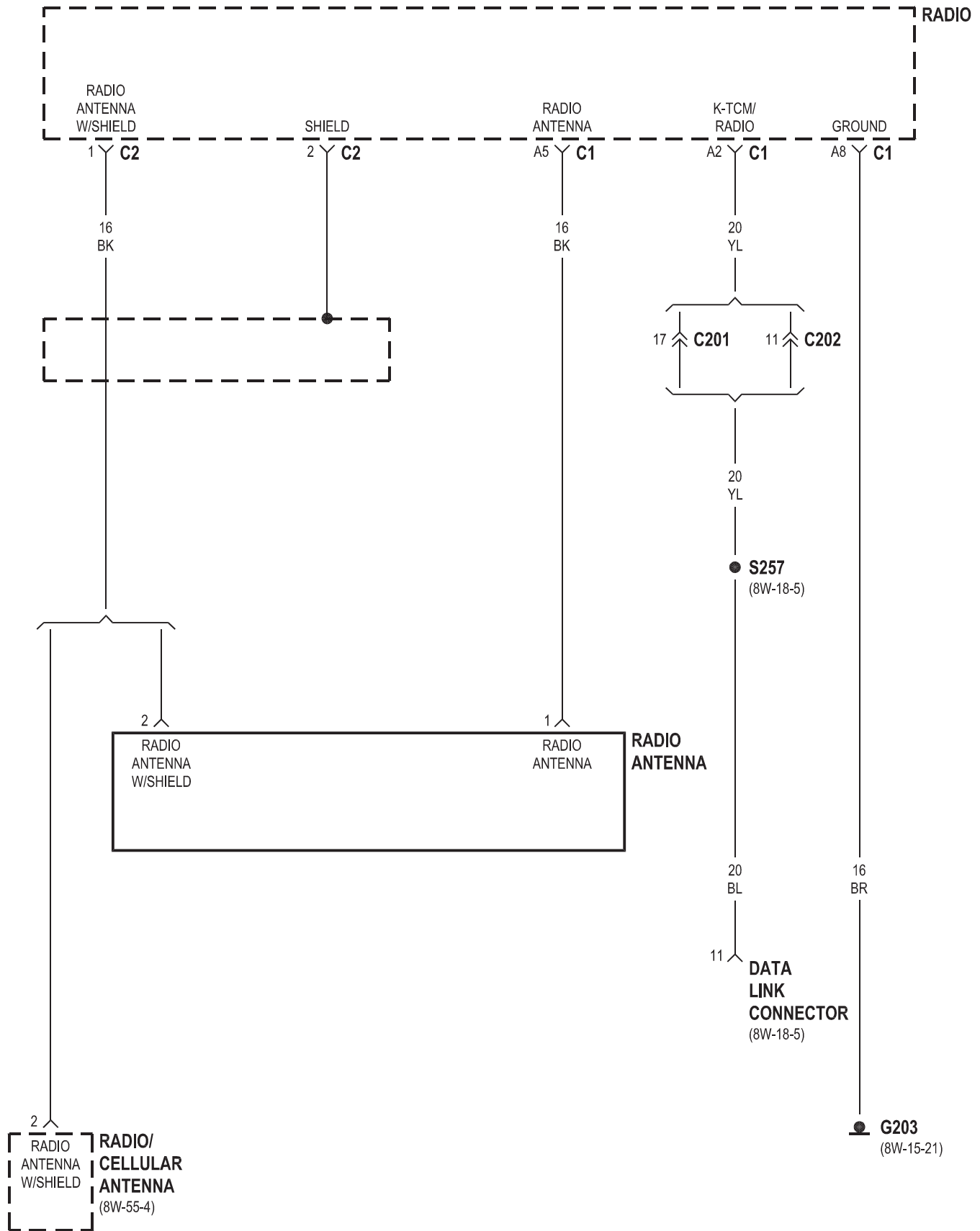


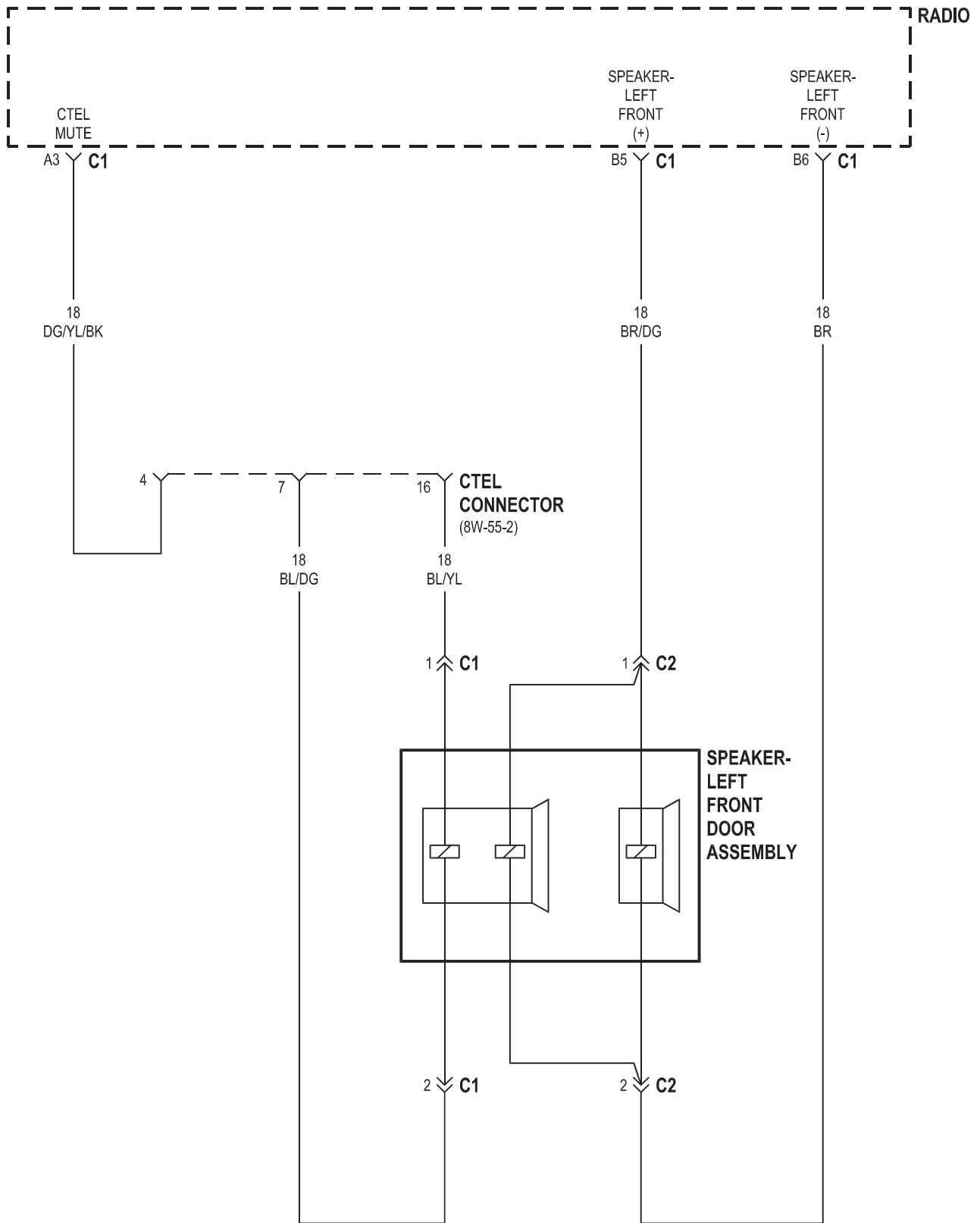


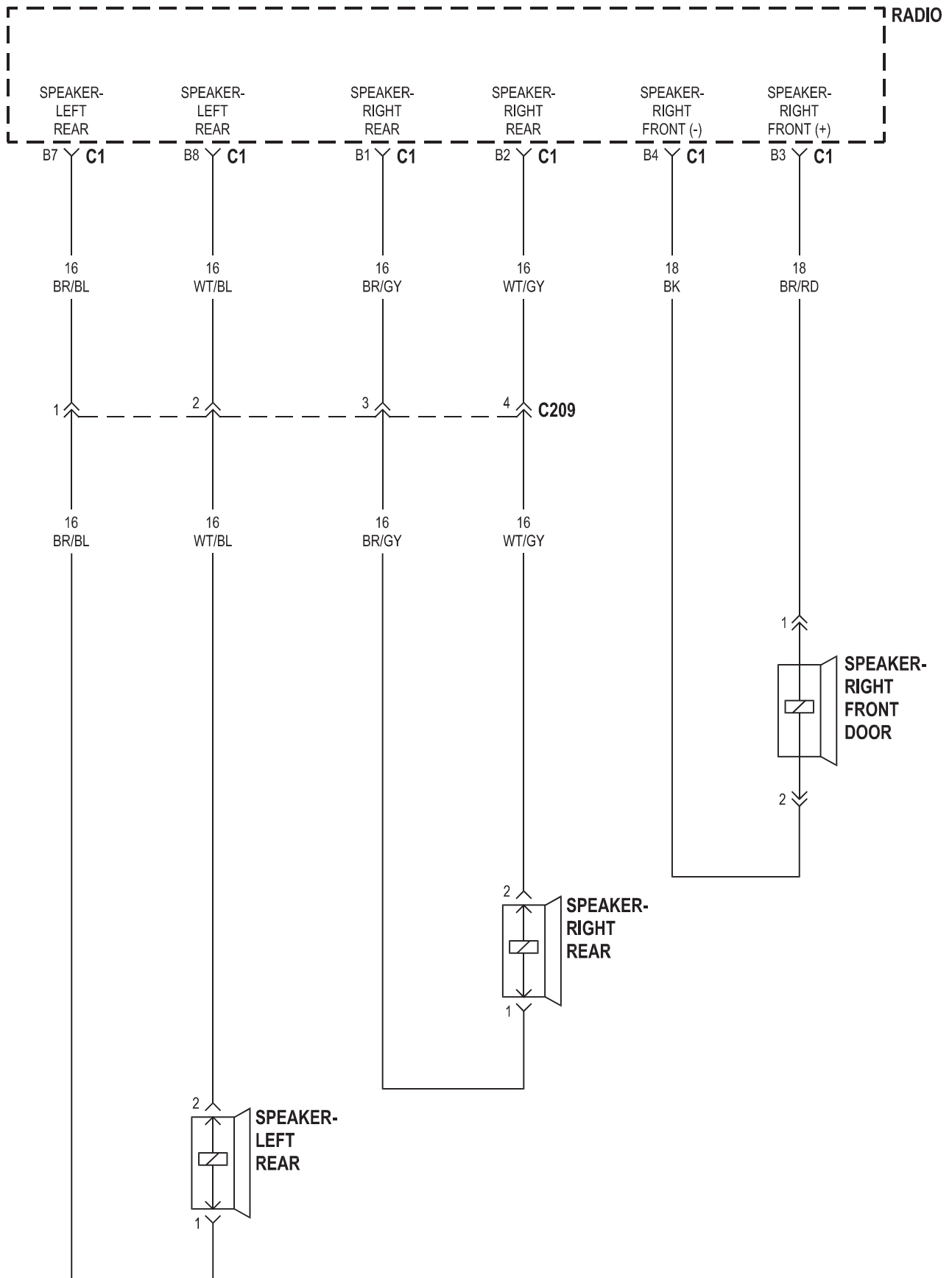
8W-47 AUDIO SYSTEM

Component	Page	Component	Page
CTEL Connector	8W-47-4	Radio	8W-47-2, 3, 4, 5
Data Link Connector	8W-47-3	Radio Antenna	8W-47-3
Daytime Running Lamps Relay	8W-47-2	Radio/Cellular Antenna	8W-47-3
Fuse 8	8W-47-2	Speaker-Left Front Door Assembly	8W-47-4
Fuse 15	8W-47-2	Speaker-Left Rear	8W-47-5
Fuse Block No. 1	8W-47-2	Speaker-Right Front Door	8W-47-5
G203	8W-47-3	Speaker-Right Rear	8W-47-5
Instrument Cluster	8W-47-2		



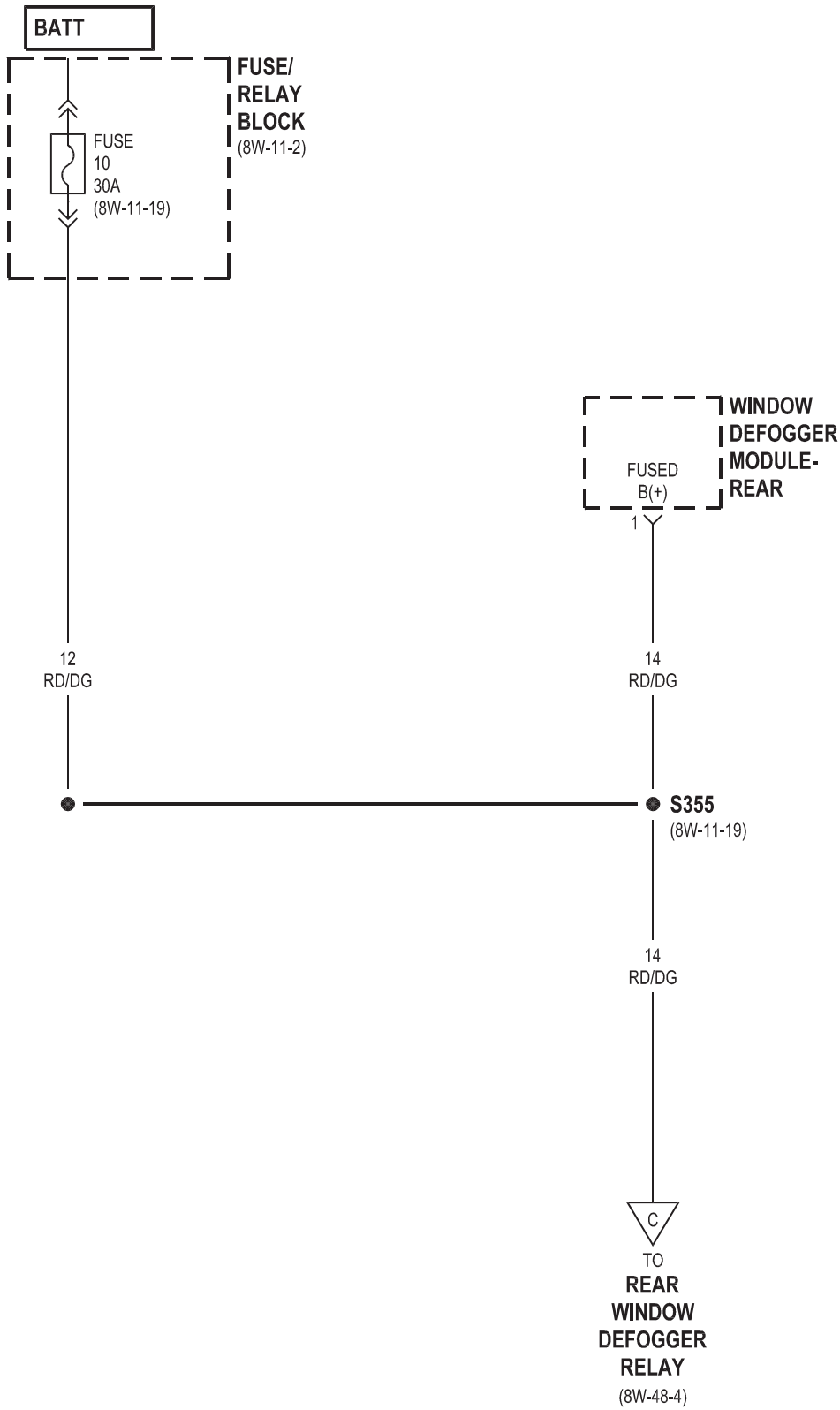


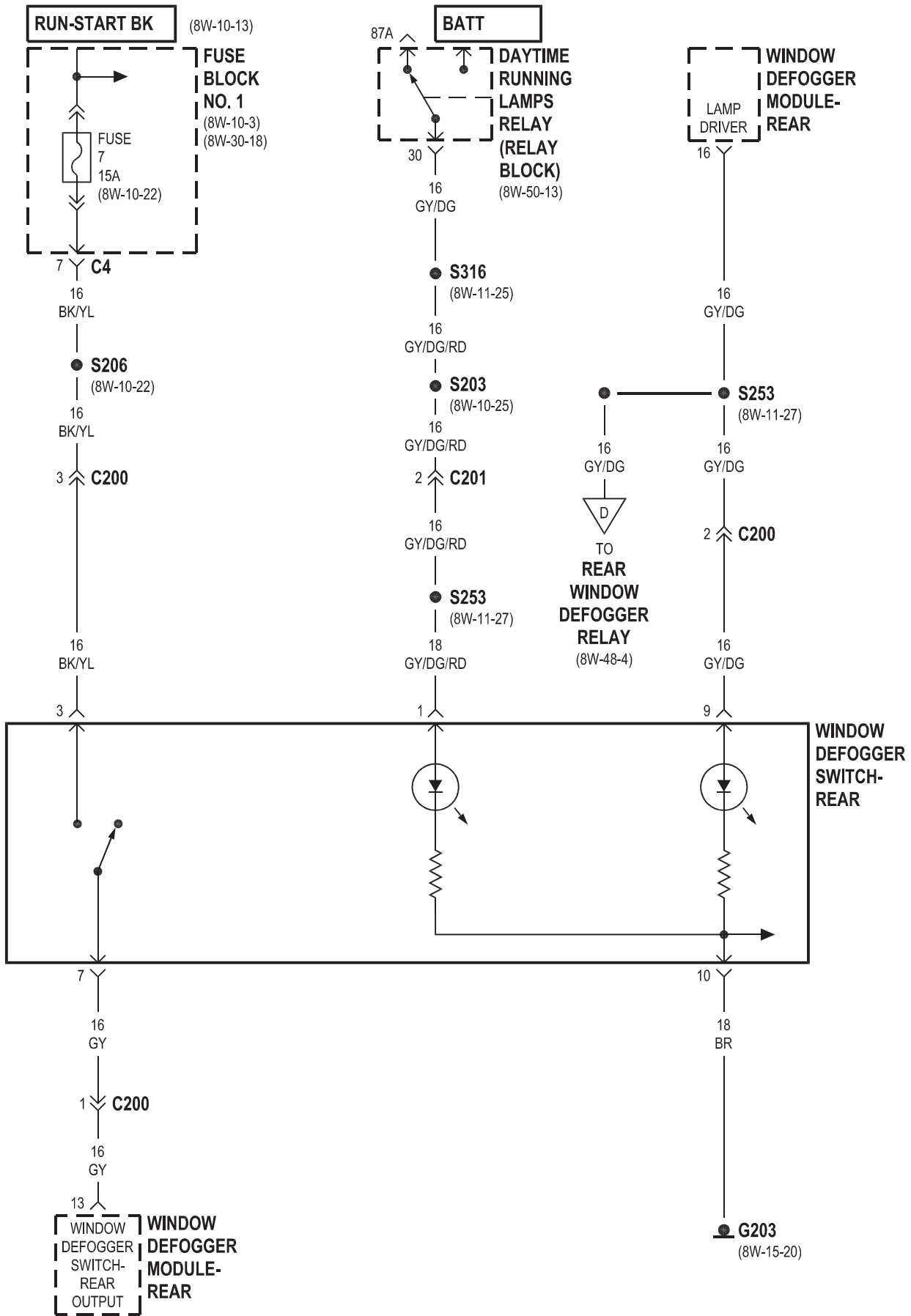


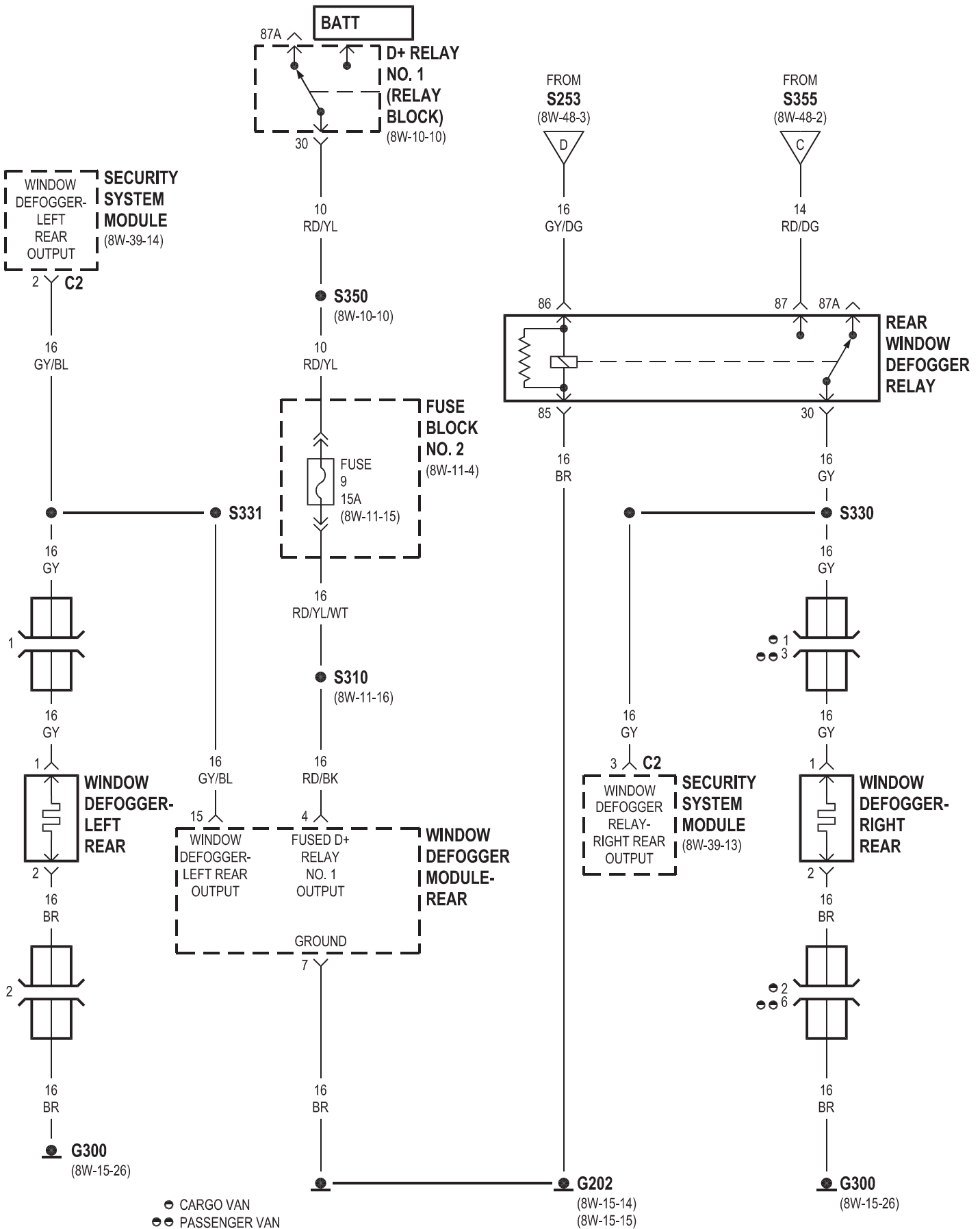


8W-48 REAR WINDOW DEFOGGER

Component	Page	Component	Page
D+ Relay No. 1	8W-48-4	G203	8W-48-3
Daytime Running Lamps Relay	8W-48-3	G300	8W-48-4
Fuse 7	8W-48-3	Rear Window Defogger Relay	8W-48-2, 3, 4
Fuse 9	8W-48-4	Security System Module	8W-48-4
Fuse 10	8W-48-2	Window Defogger Module-Rear	8W-48-2, 3, 4
Fuse Block No. 1	8W-48-3	Window Defogger Switch-Rear	8W-48-3
Fuse Block No. 2	8W-48-4	Window Defogger-Left Rear	8W-48-4
Fuse/Relay Block	8W-48-2	Window Defogger-Right Rear	8W-48-4
G202	8W-48-4		

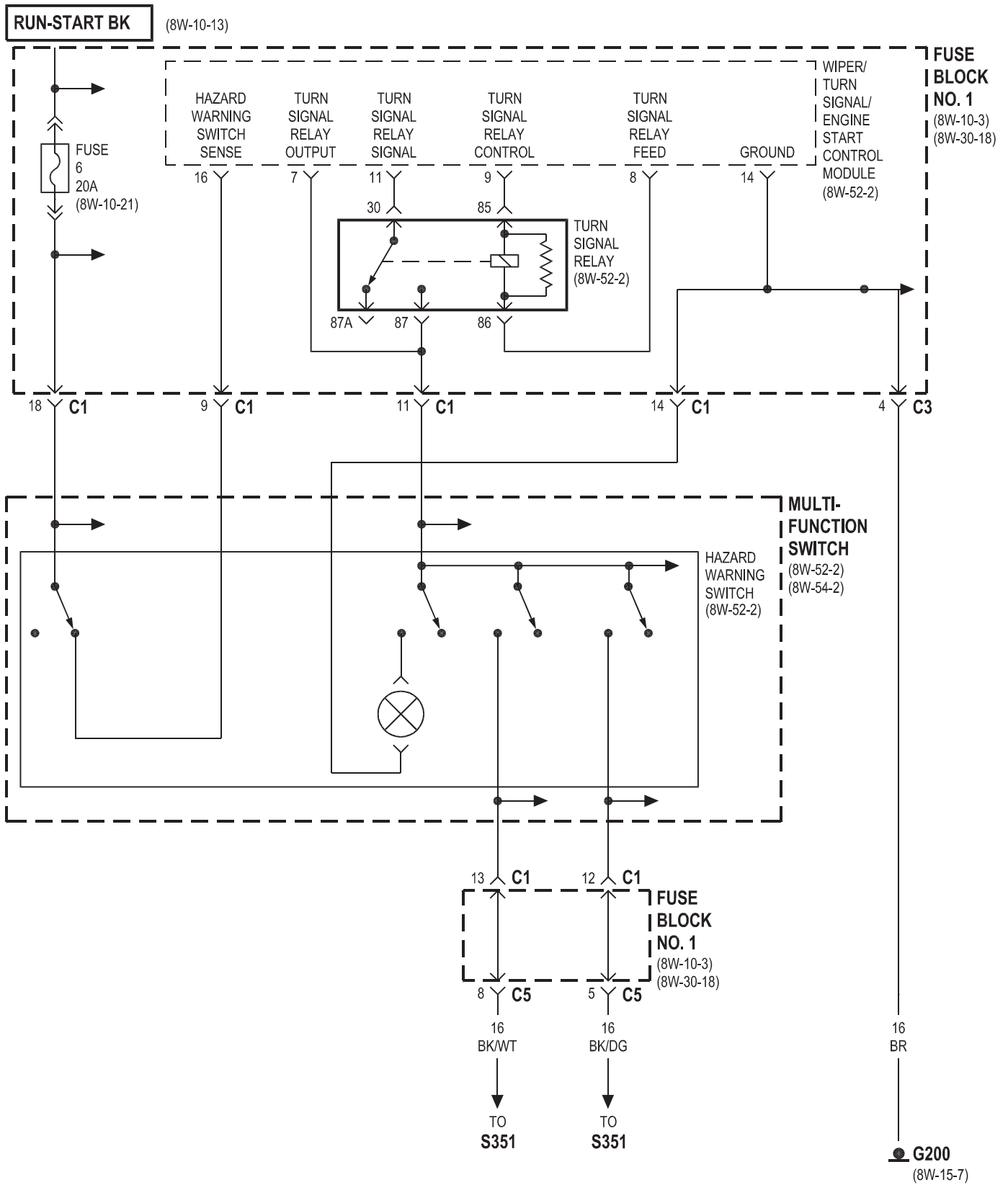


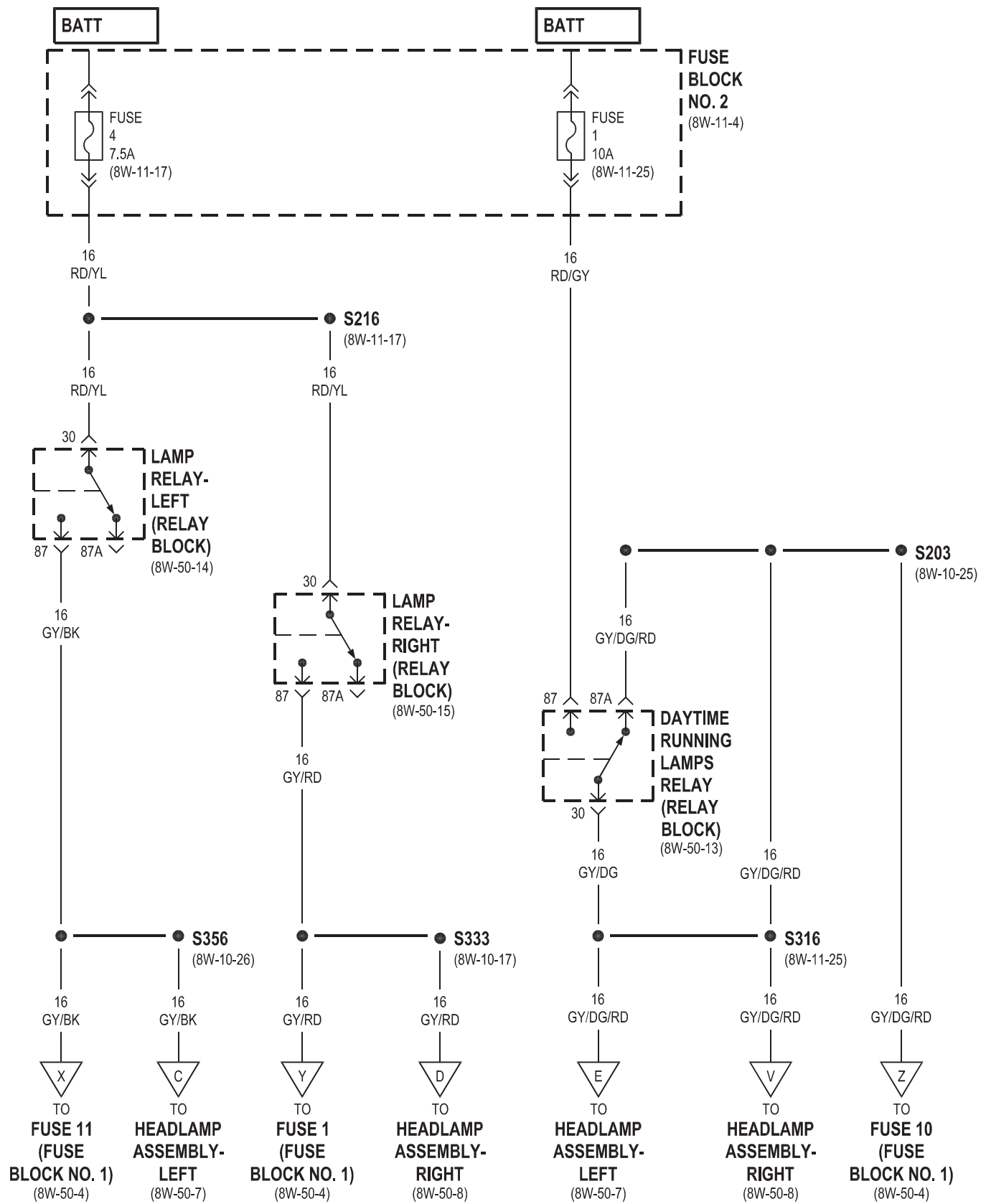


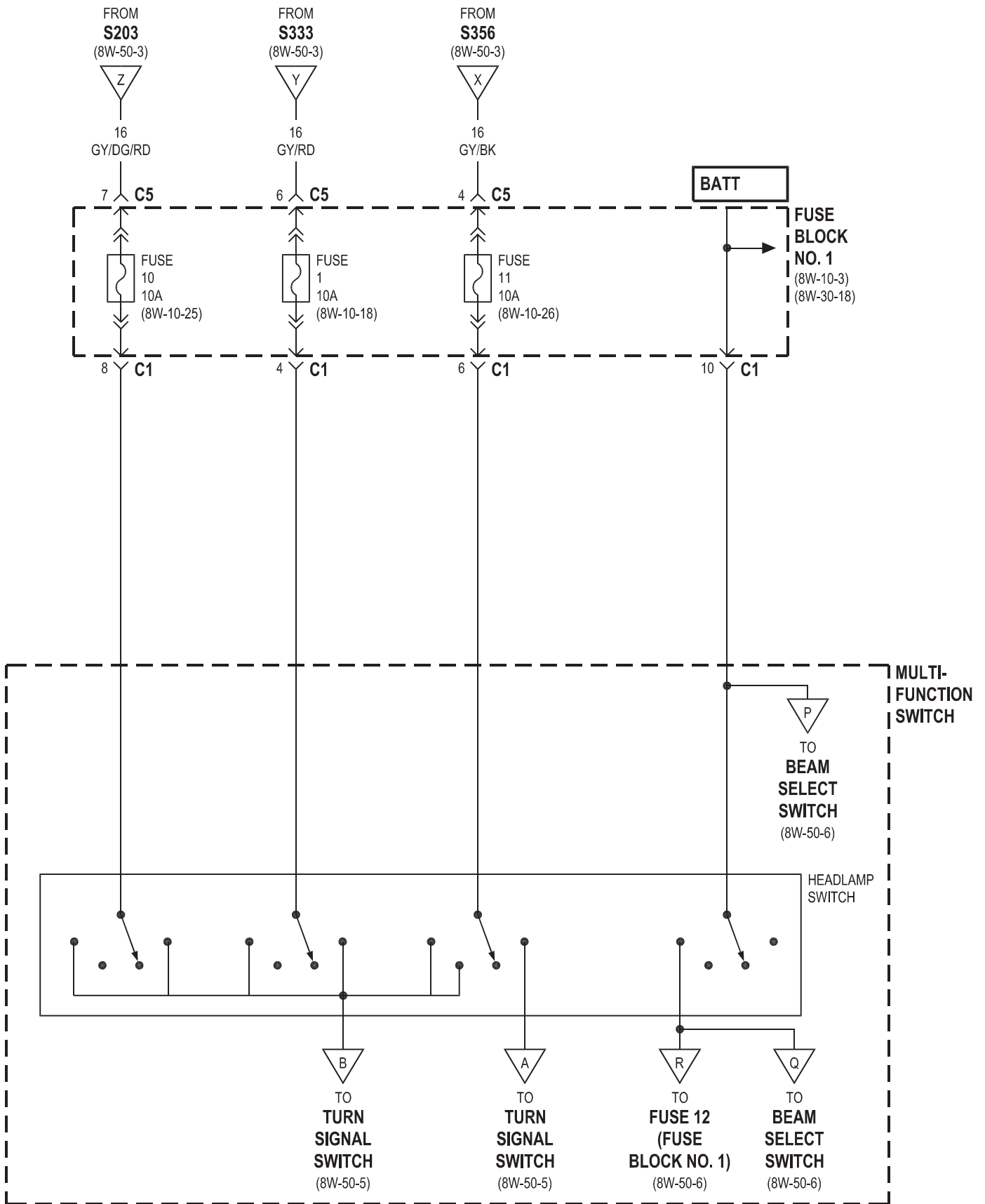


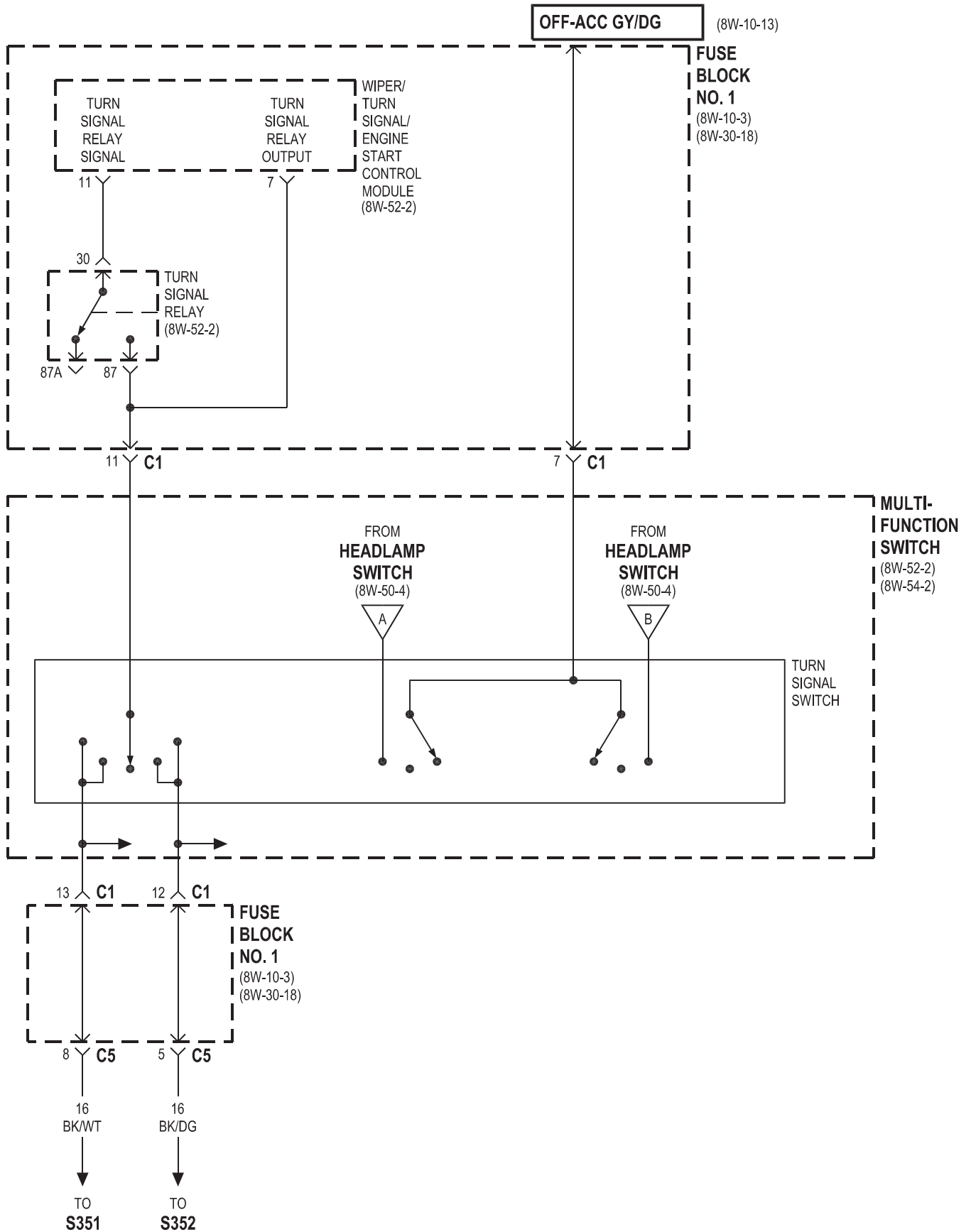
8W-50 FRONT LIGHTING

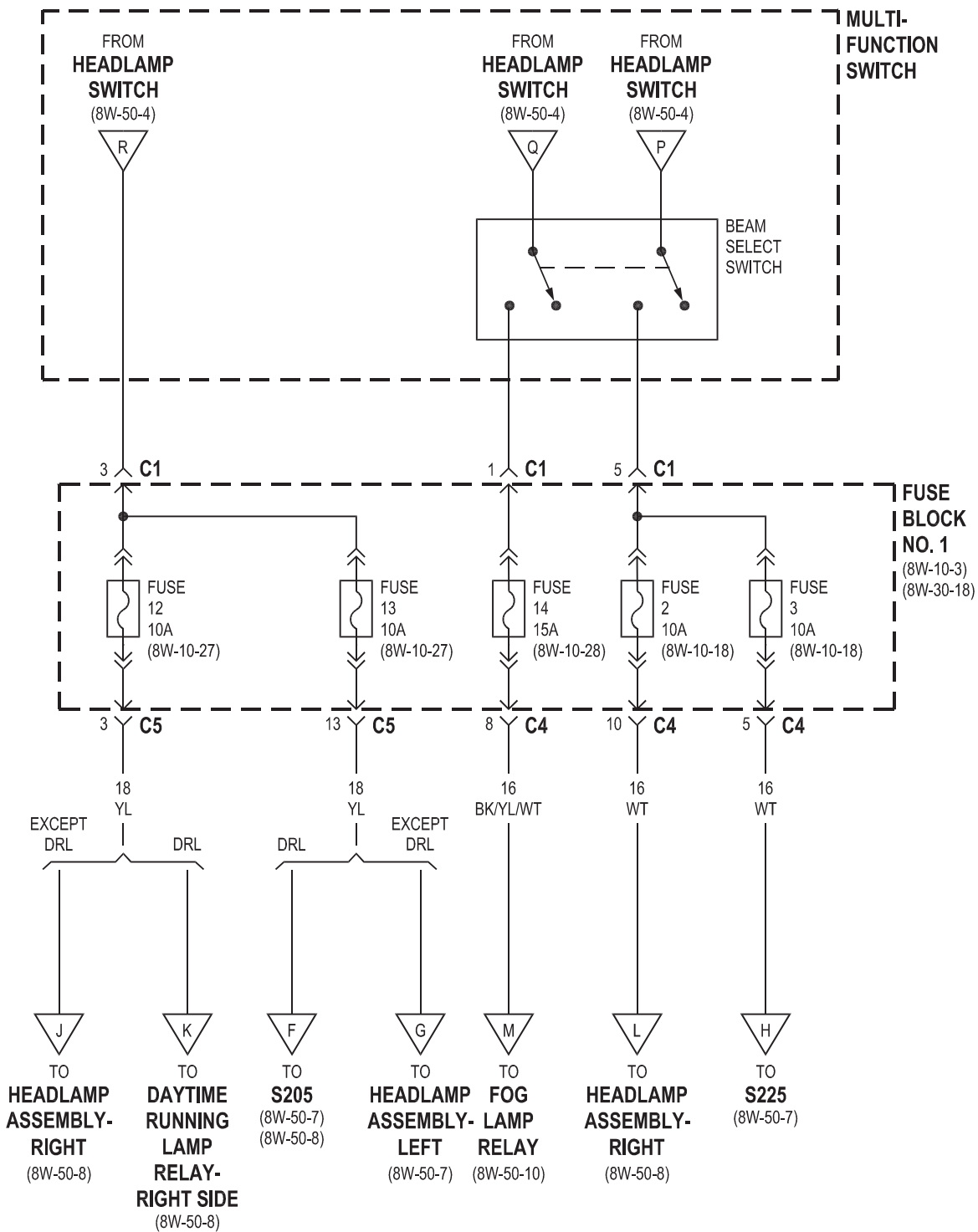
Component	Page	Component	Page
Beam Select Switch	8W-50-4, 6	Hazard Warning Switch	8W-50-2
D+ Relay No. 1	8W-50-7, 8, 12, 14, 15	Headlamp Adjust Switch	8W-50-7, 8, 9
Daytime Running Lamp Relay-Left Side . .	8W-50-7	Headlamp Assembly-Left	8W-50-3, 6, 7, 9, 10, 11, 13, 14
Daytime Running Lamp Relay-Right Side	8W-50-6, 8	Headlamp Assembly-Right	8W-50-3, 6, 8, 9, 10, 11, 13, 15
Daytime Running Lamps Relay	8W-50-3, 13	Headlamp Switch	8W-50-4, 5, 6
Fog Lamp Relay	8W-50-6, 9, 10	Lamp Relay-Left	8W-50-3, 14
Fog Lamp Switch	8W-50-9	Lamp Relay-Right	8W-50-3, 15
Fuse 1	8W-50-3, 4, 13	Marker Lamp Connector	8W-50-11
Fuse 2	8W-50-6, 8	Marker Lamp No. 1-Left Front	8W-50-11
Fuse 3	8W-50-6, 7, 12	Marker Lamp No. 1-Right Front	8W-50-11
Fuse 4	8W-50-3, 14, 15	Marker Lamp No. 2-Left Front	8W-50-11
Fuse 5	8W-50-9	Marker Lamp No. 2-Right Front	8W-50-11
Fuse 6	8W-50-2	Marker Lamp-Left Center	8W-50-11
Fuse 9	8W-50-12, 13, 14, 15	Marker Lamp-Left Rear	8W-50-11
Fuse 10	8W-50-3, 4, 8	Marker Lamp-Right Center	8W-50-11
Fuse 11	8W-50-3, 4, 7	Marker Lamp-Right Rear	8W-50-11
Fuse 12	8W-50-4, 6, 8	Multi-Function Switch	8W-50-2, 4, 5, 6
Fuse 13	8W-50-6, 7, 8	Power Distribution Center	8W-50-12
Fuse 14	8W-50-6, 10	Tail Lamp Assembly-Left	8W-50-14
Fuse Block No. 1	8W-50-2, 4, 5, 6	Tail Lamp Assembly-Right	8W-50-15
Fuse Block No. 2	8W-50-3, 7, 8, 12, 13, 14, 15	Turn Signal Relay	8W-50-2, 5
Fuse Block No. 3	8W-50-9	Turn Signal Switch	8W-50-4, 5
G100	8W-50-7, 10	Wiper/Turn Signal/Engine Start Control Module	8W-50-2, 5
G102	8W-50-8, 10		
G200	8W-50-2		
G202	8W-50-7, 8, 10, 11, 13, 14, 15		
G203	8W-50-9		

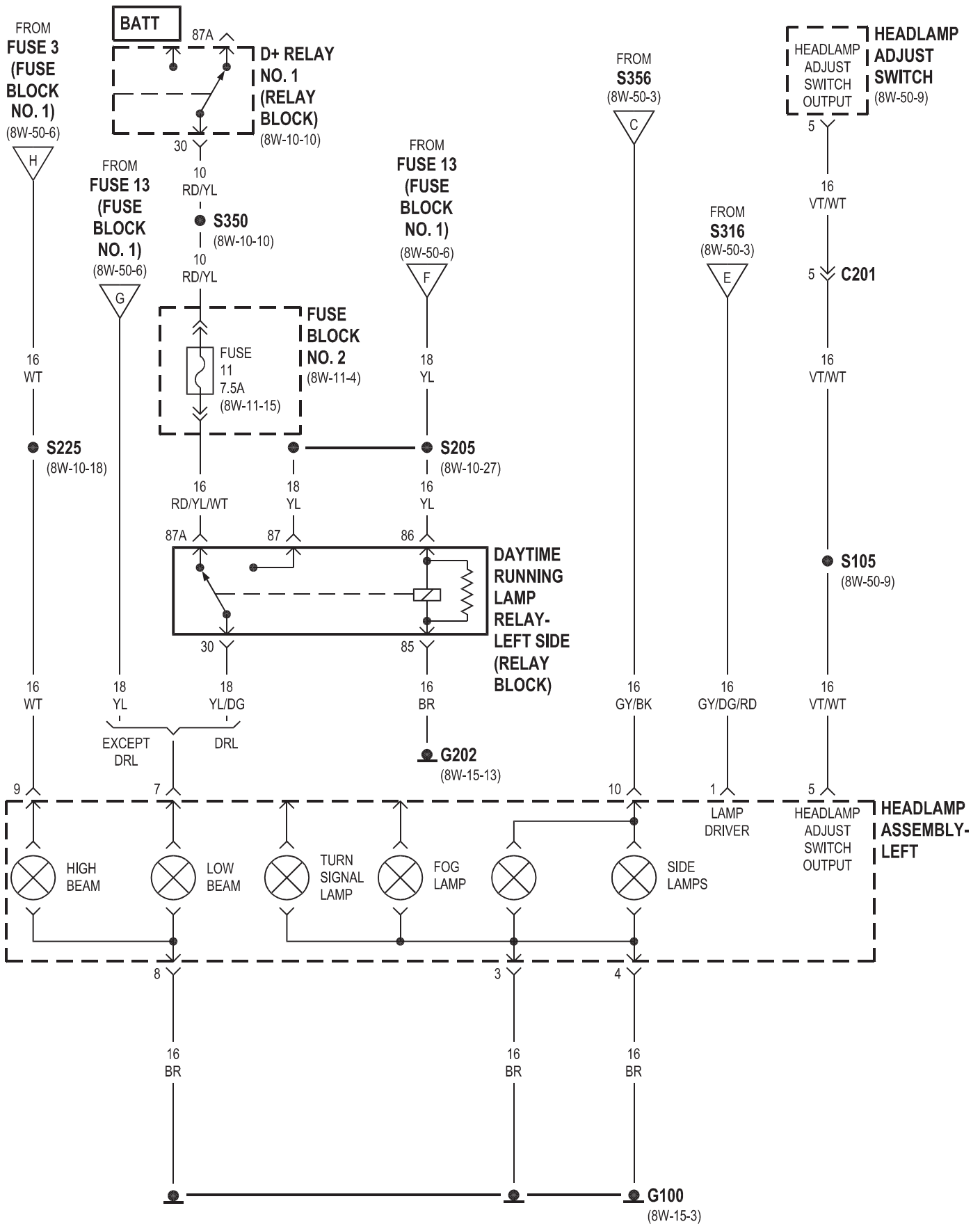


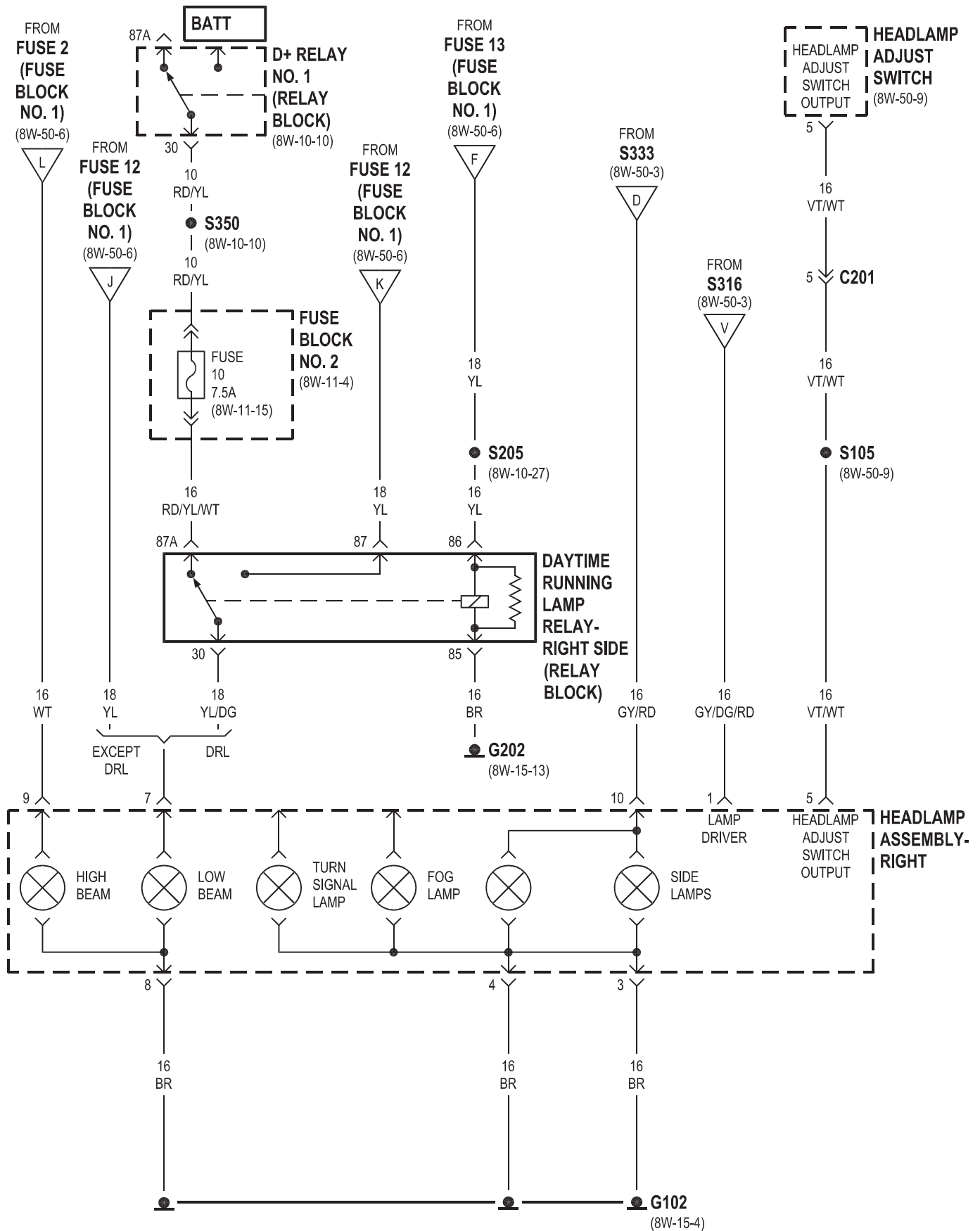


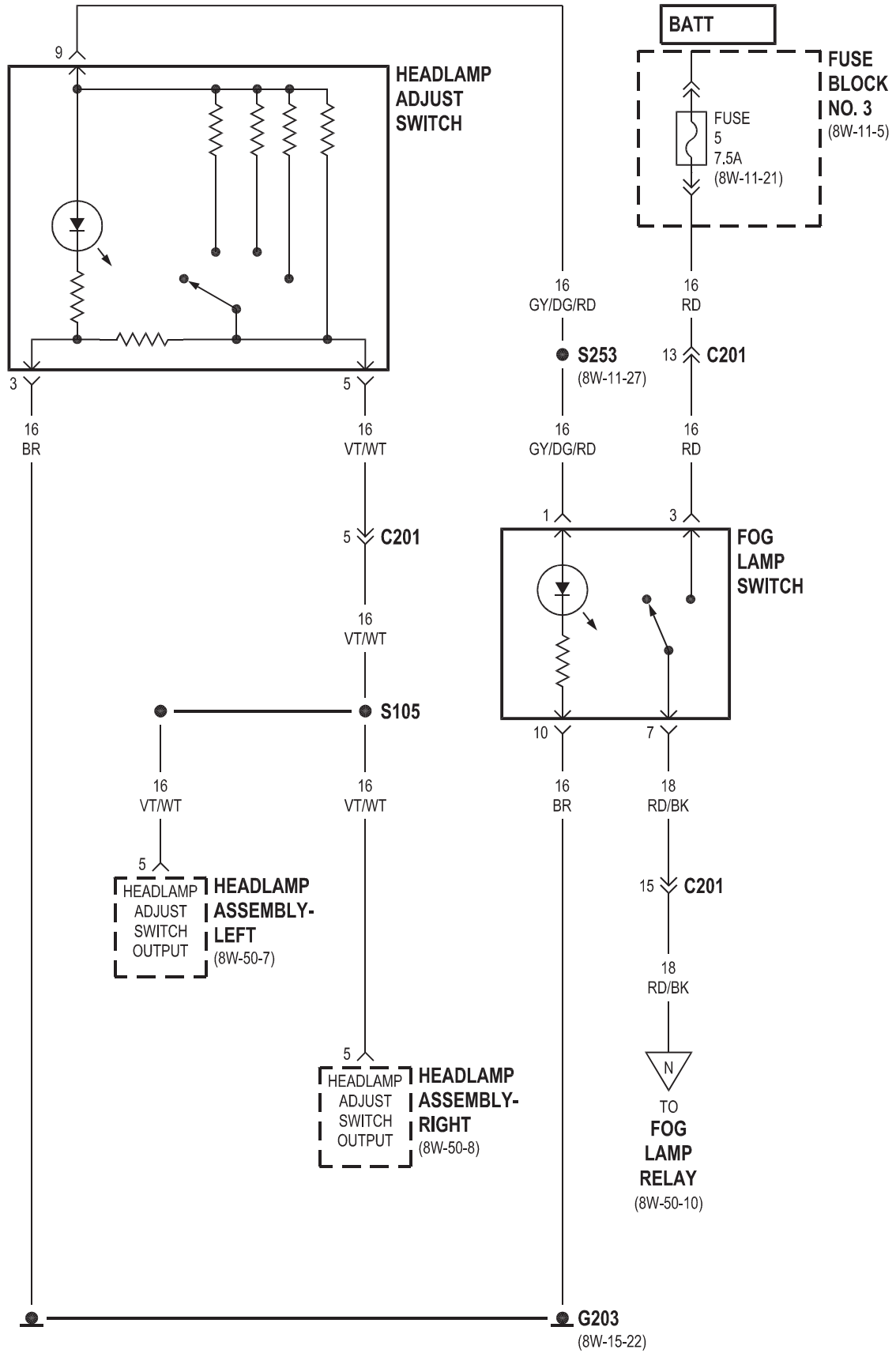


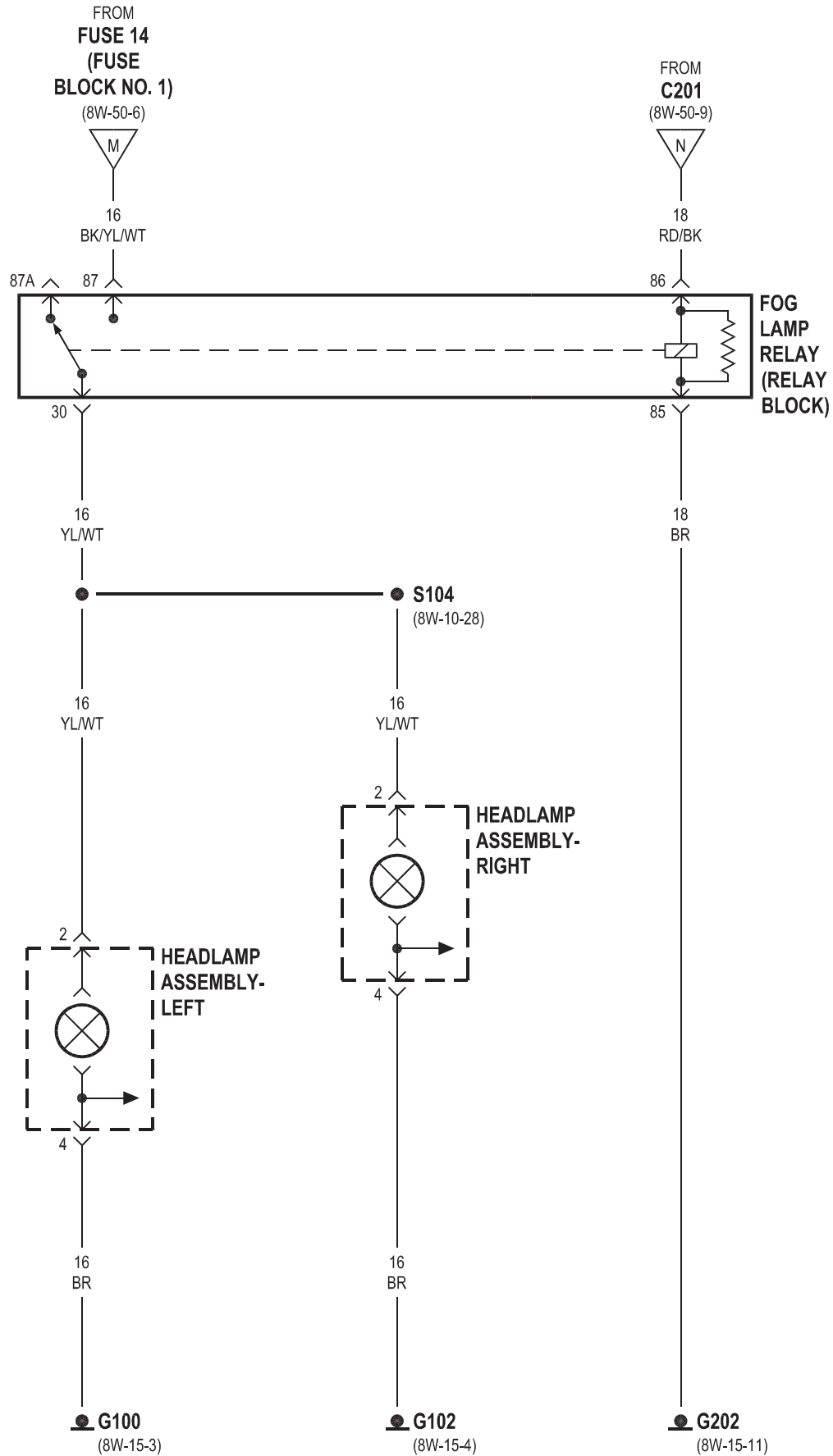


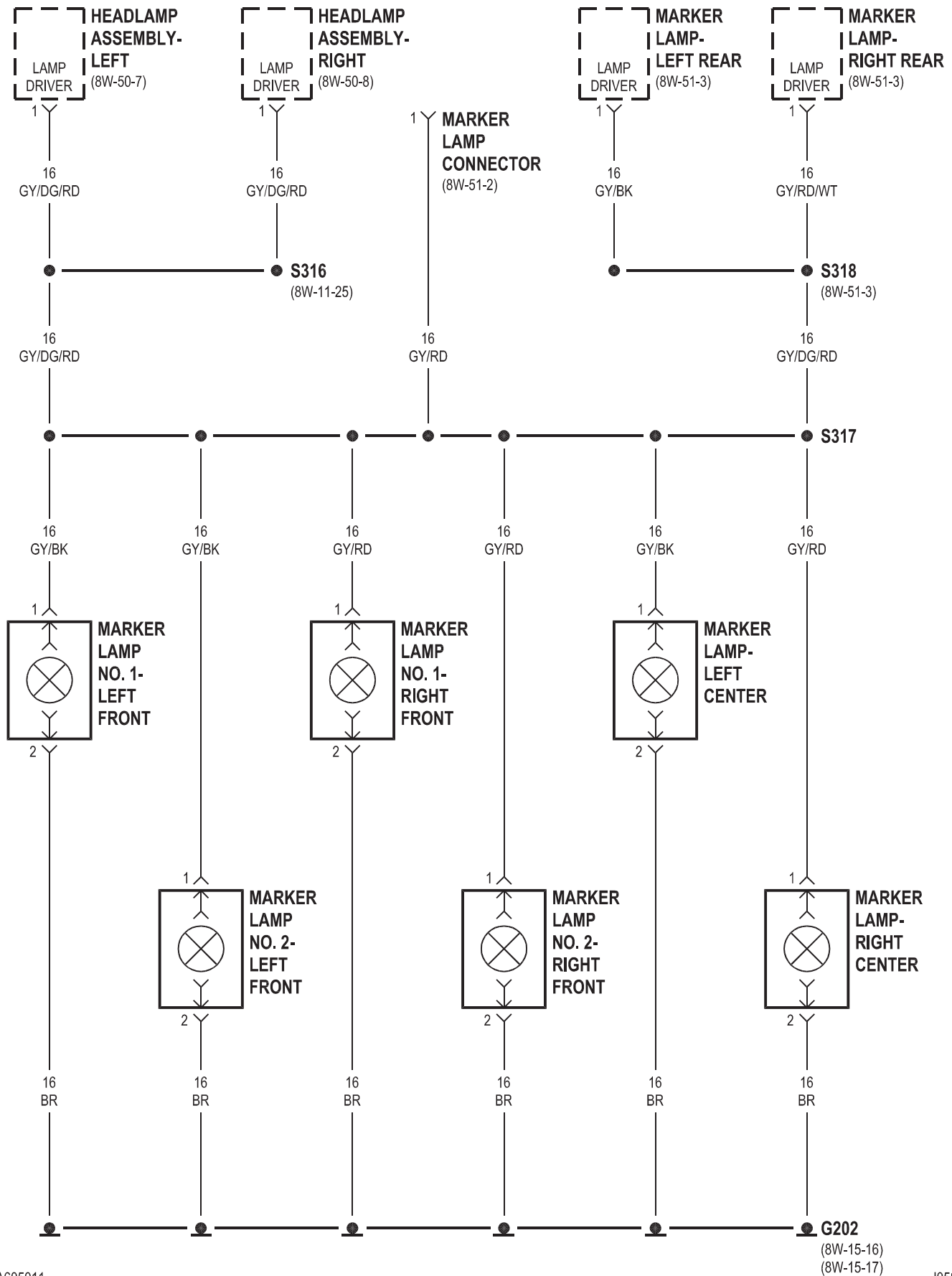


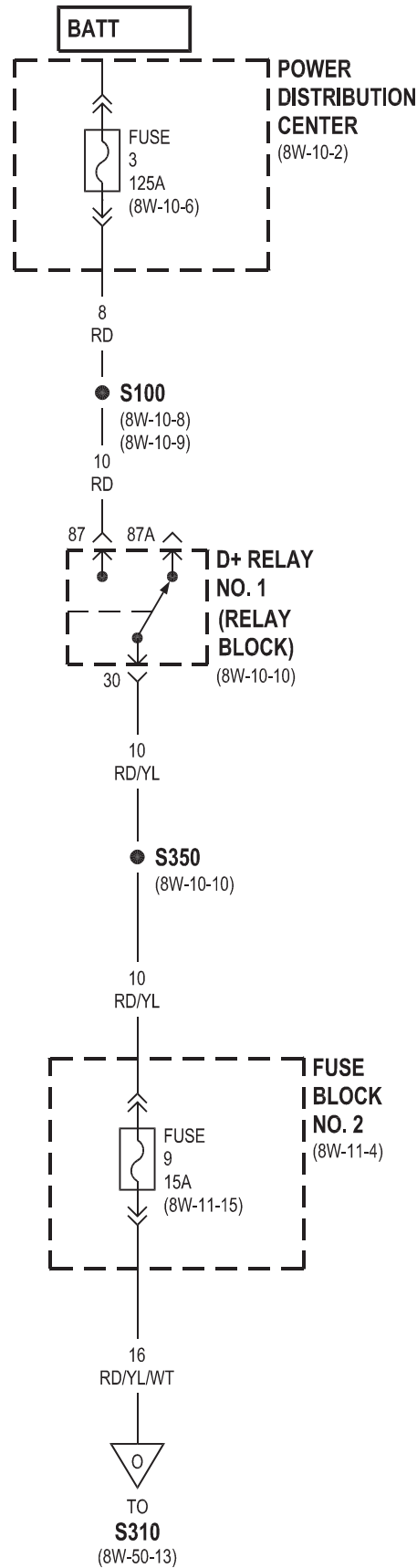


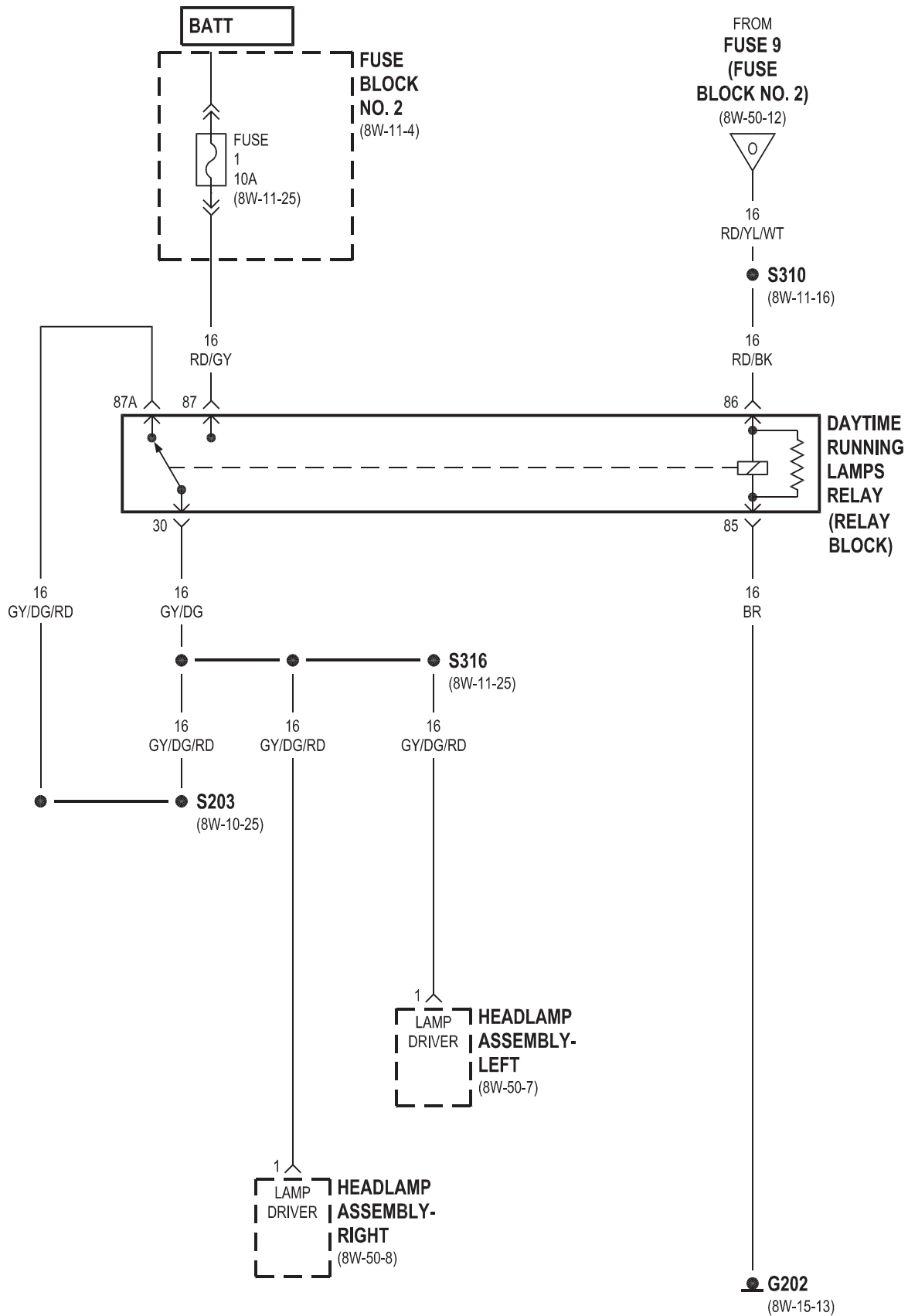


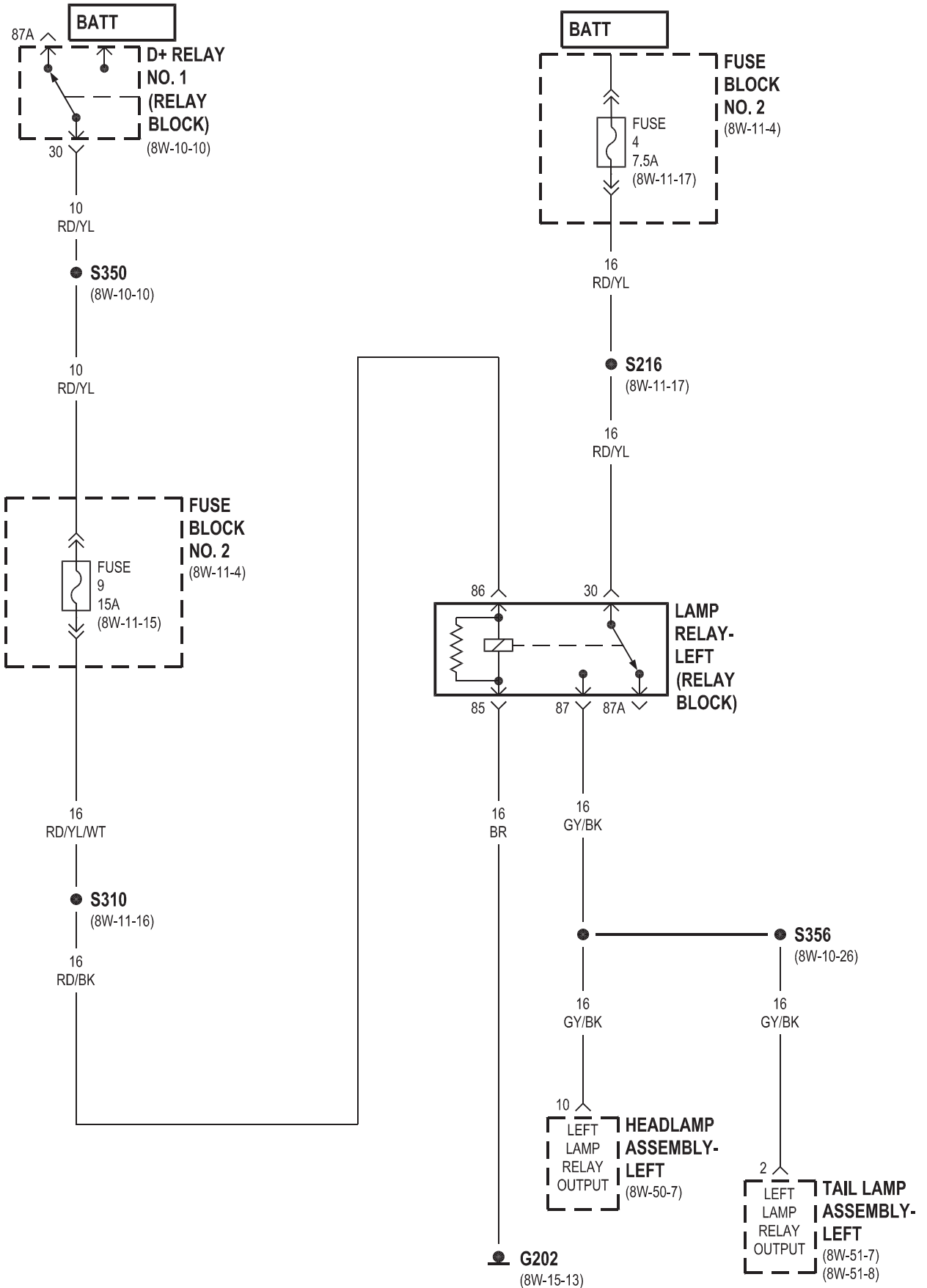


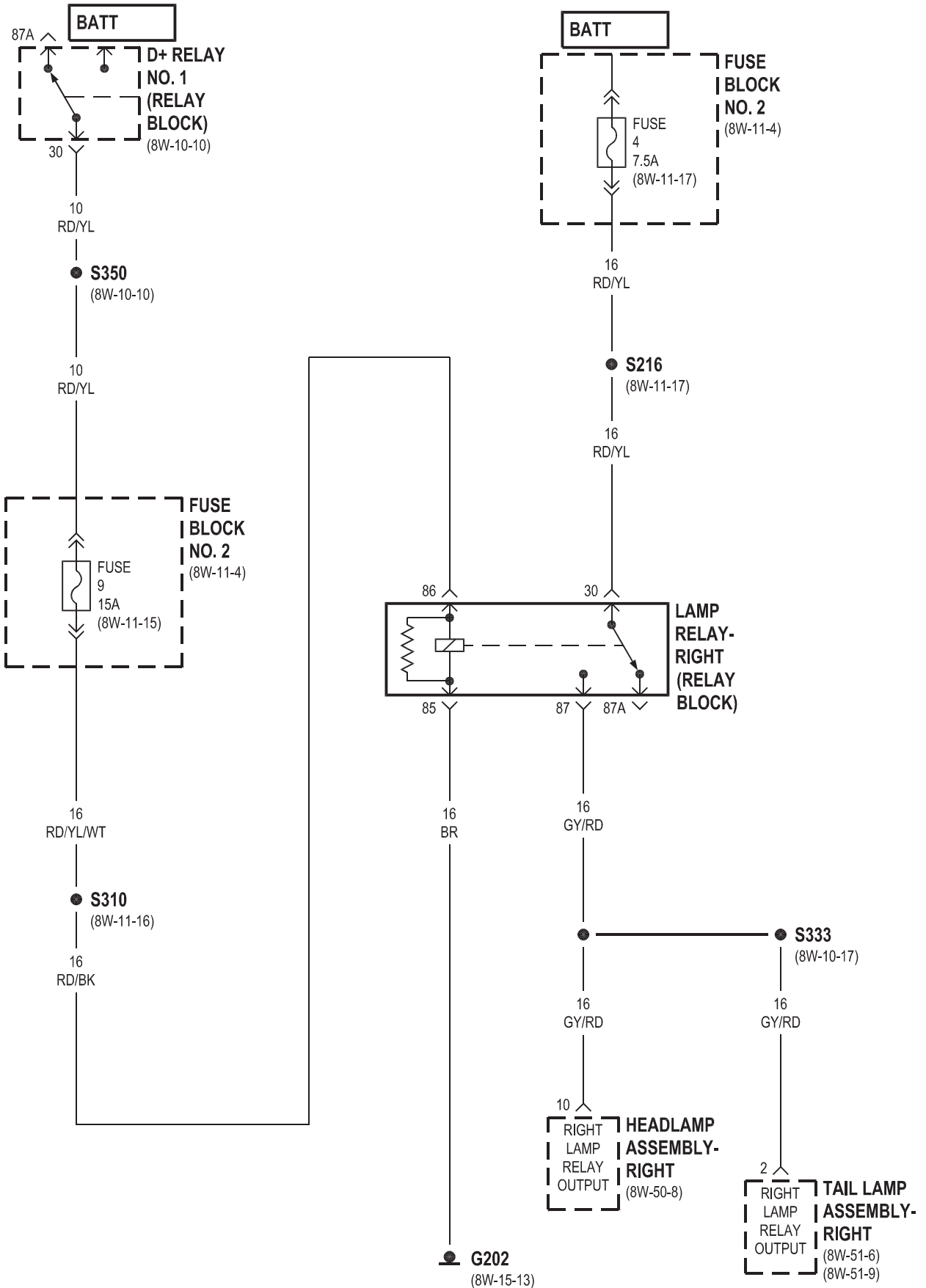






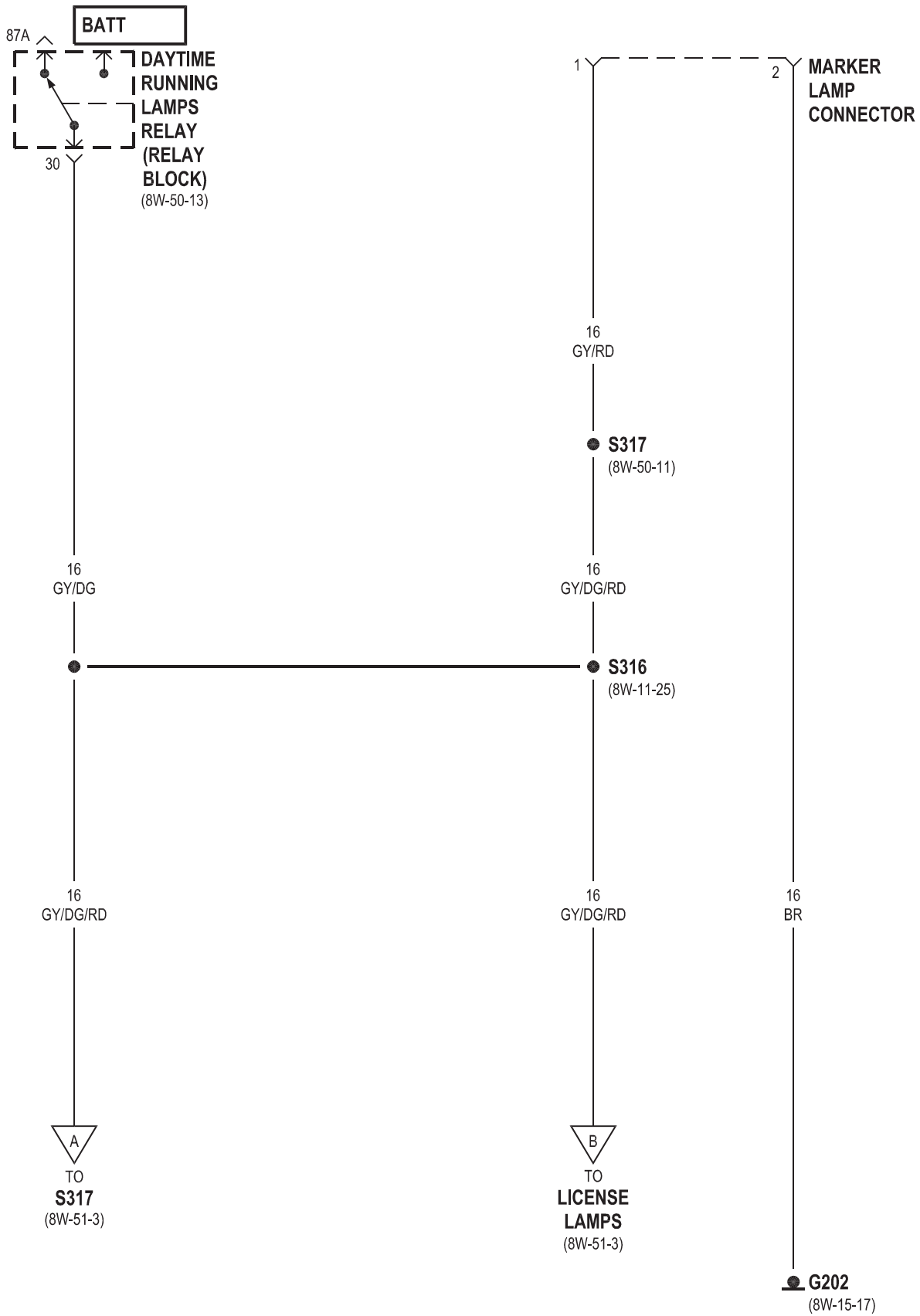


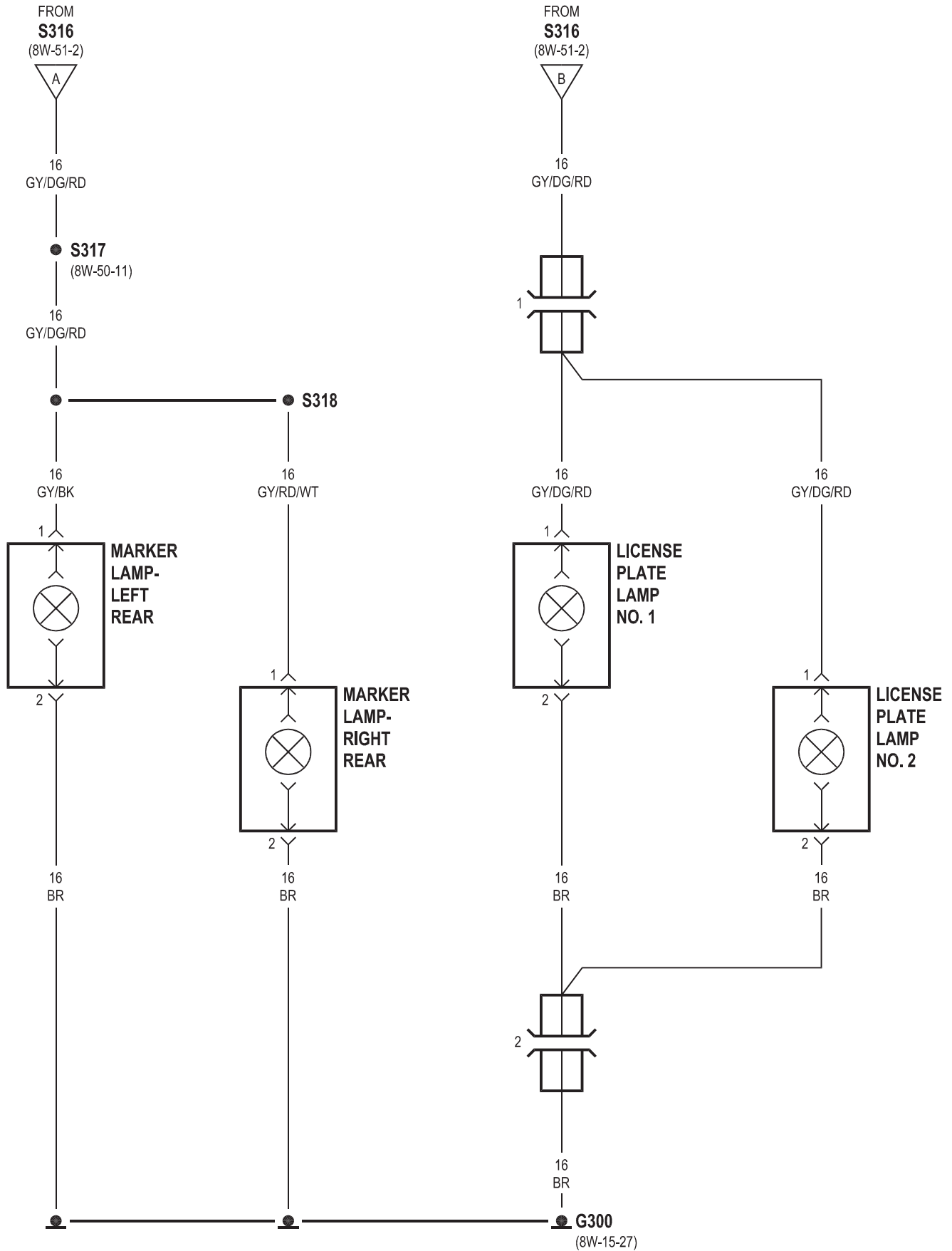


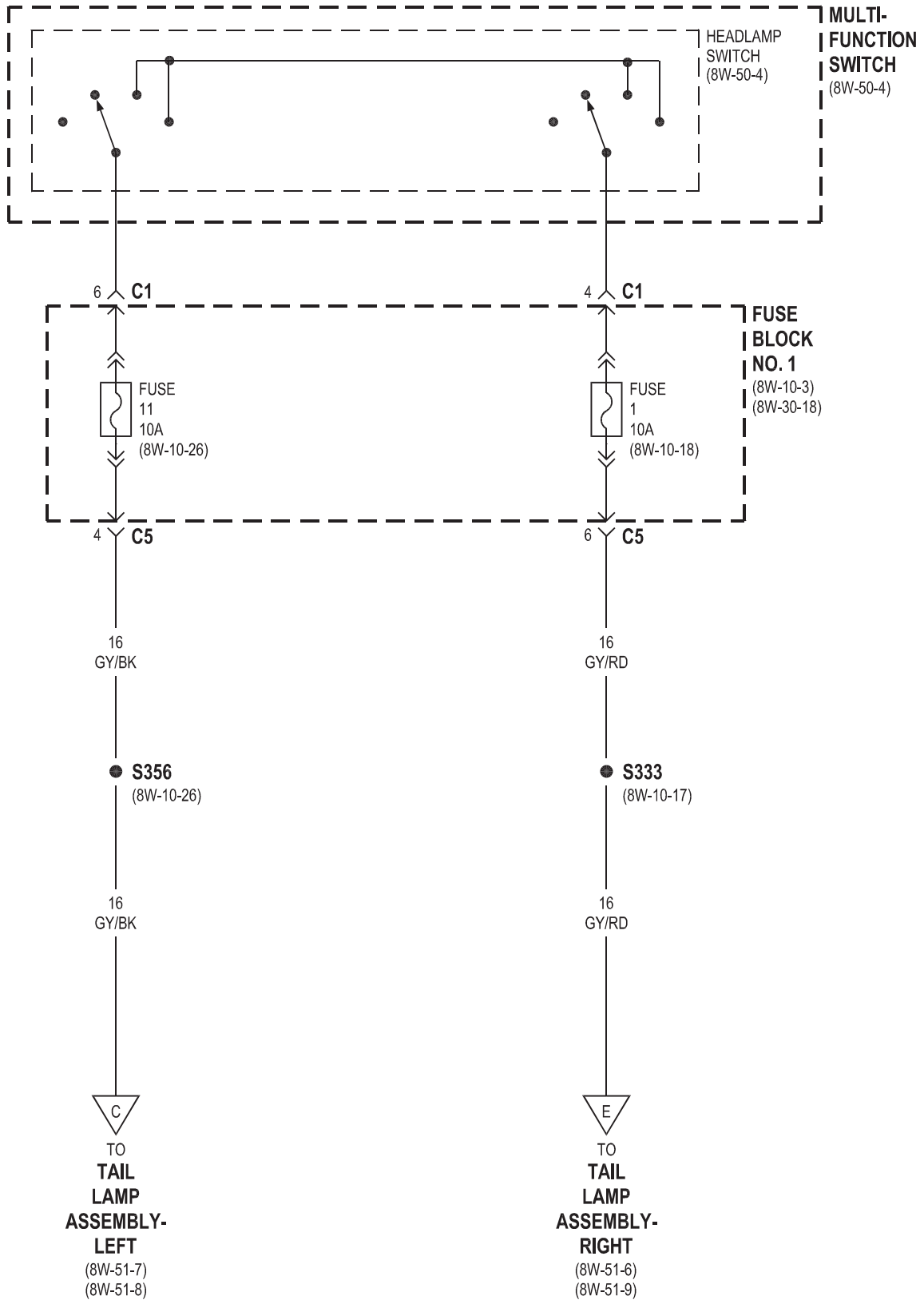


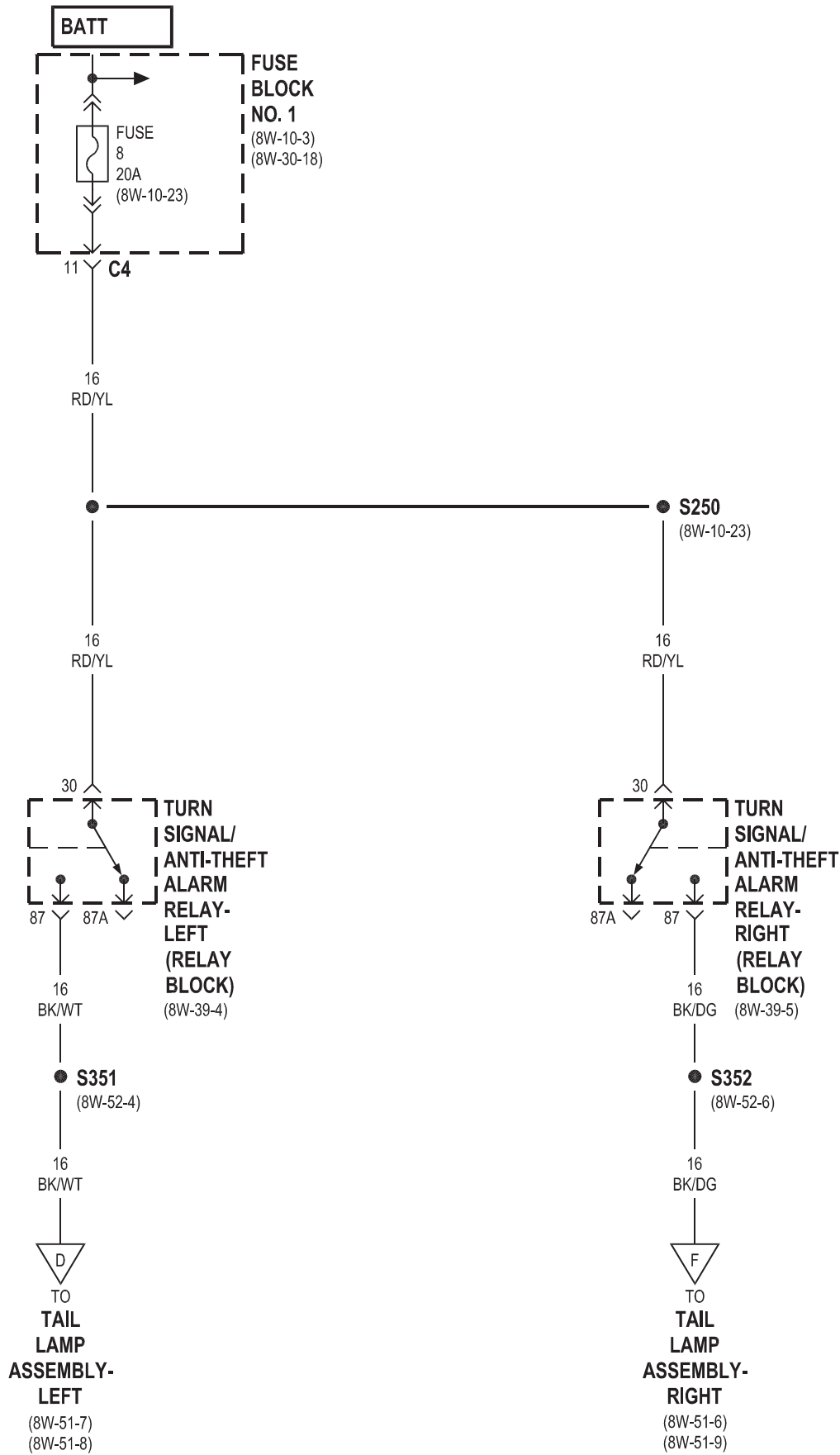
8W-51 REAR LIGHTING

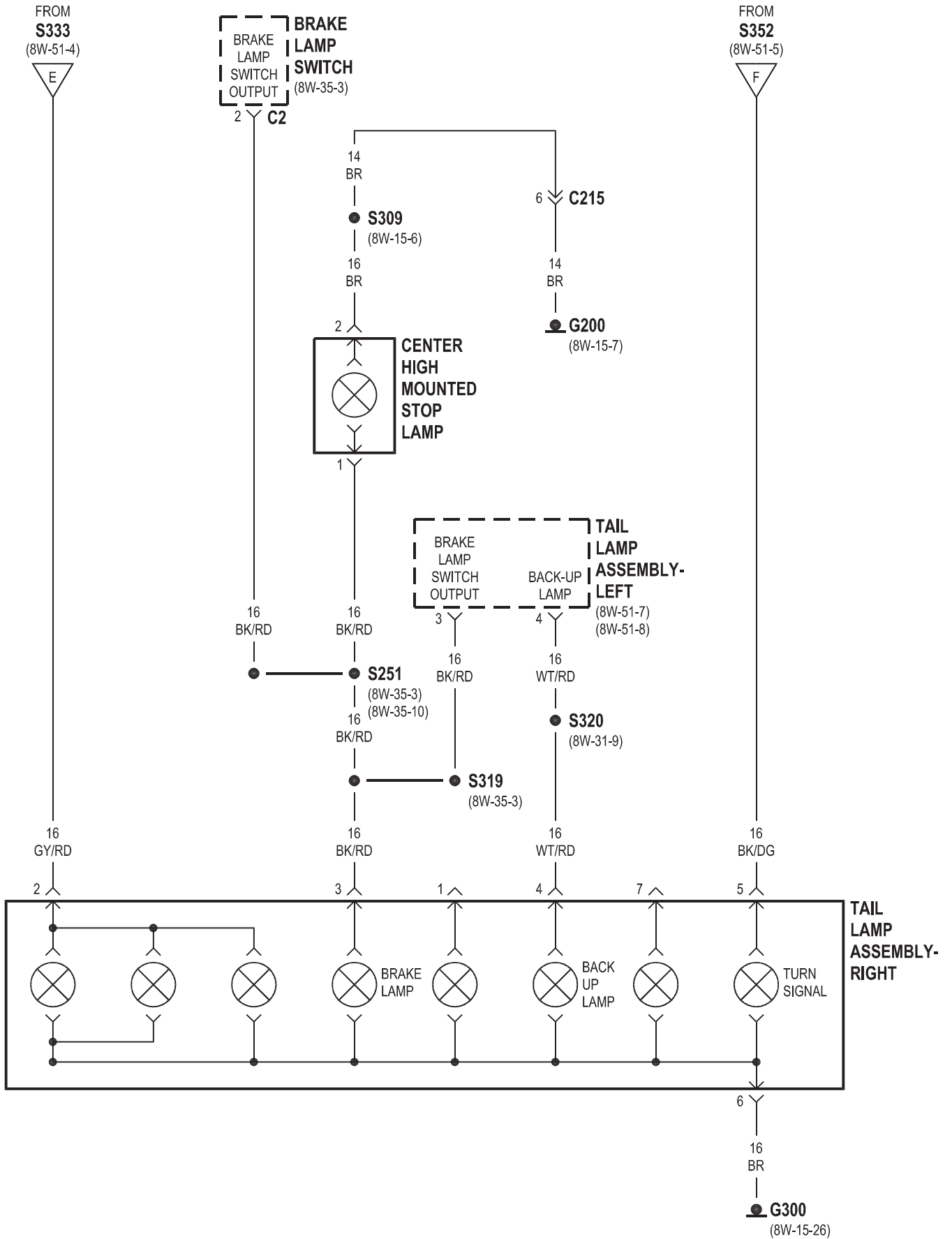
Component	Page	Component	Page
Brake Lamp Switch	8W-51-6	License Plate Lamp No. 2	8W-51-3
Center High Mounted Stop Lamp	8W-51-6, 8	Marker Lamp Connector	8W-51-2
Daytime Running Lamps Relay	8W-51-2	Marker Lamp-Left Rear	8W-51-3
Fuse 1	8W-51-4	Marker Lamp-Right Rear	8W-51-3
Fuse 8	8W-51-5	Multi-Function Switch	8W-51-4
Fuse 11	8W-51-4	Tail Lamp Assembly-Left	8W-51-4, 5, 6, 7, 8, 9
Fuse Block No. 1	8W-51-4, 5	Tail Lamp Assembly-Right	8W-51-4, 5, 6, 7, 8, 9
G200	8W-51-6, 8	Turn Signal/Anti-Theft Alarm Relay-Left	8W-51-5
G202	8W-51-2	Turn Signal/Anti-Theft Alarm Relay- Right	8W-51-5
G300	8W-51-3, 6, 7, 8, 9		
Headlamp Switch	8W-51-4		
License Plate Lamp No. 1	8W-51-3		

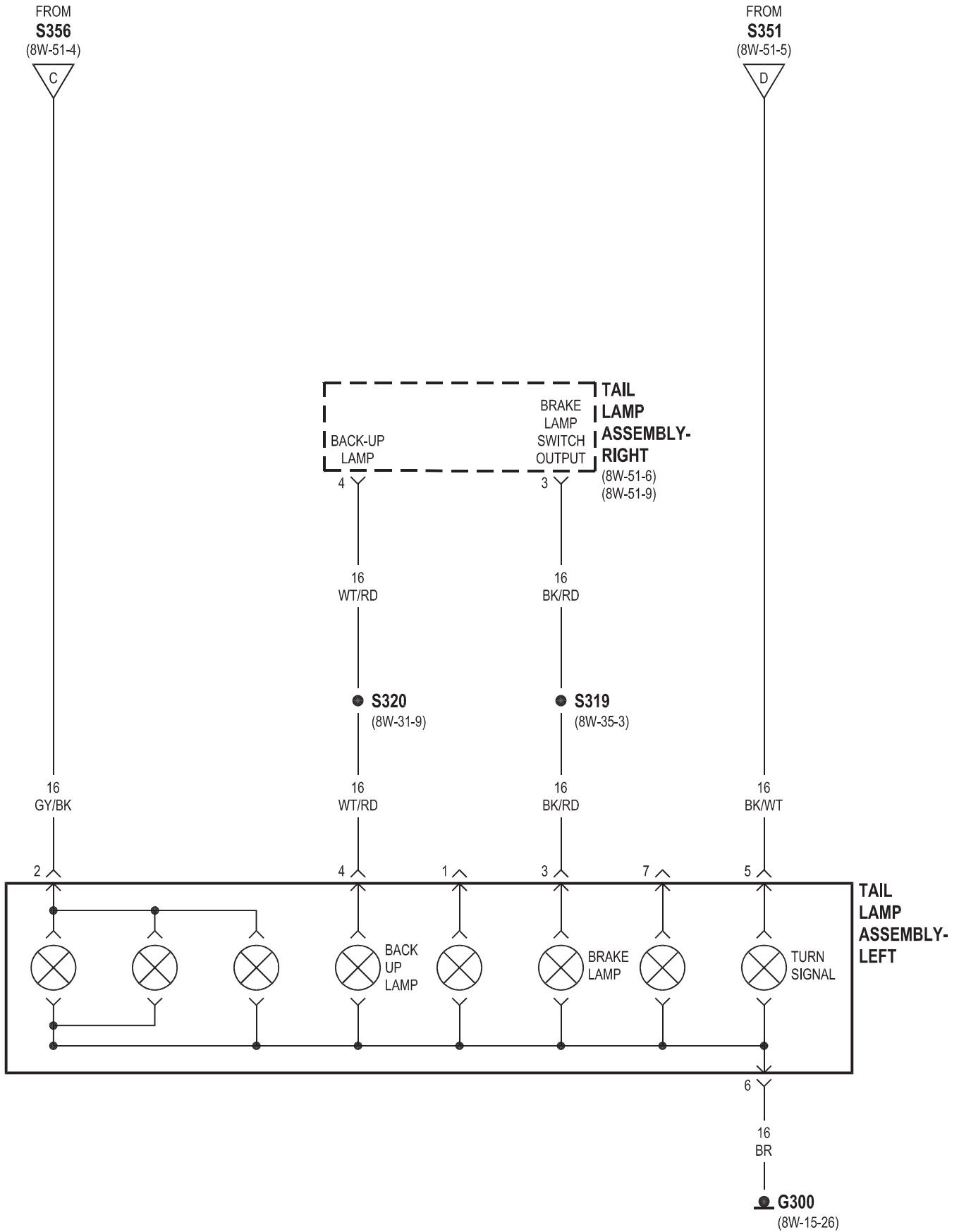


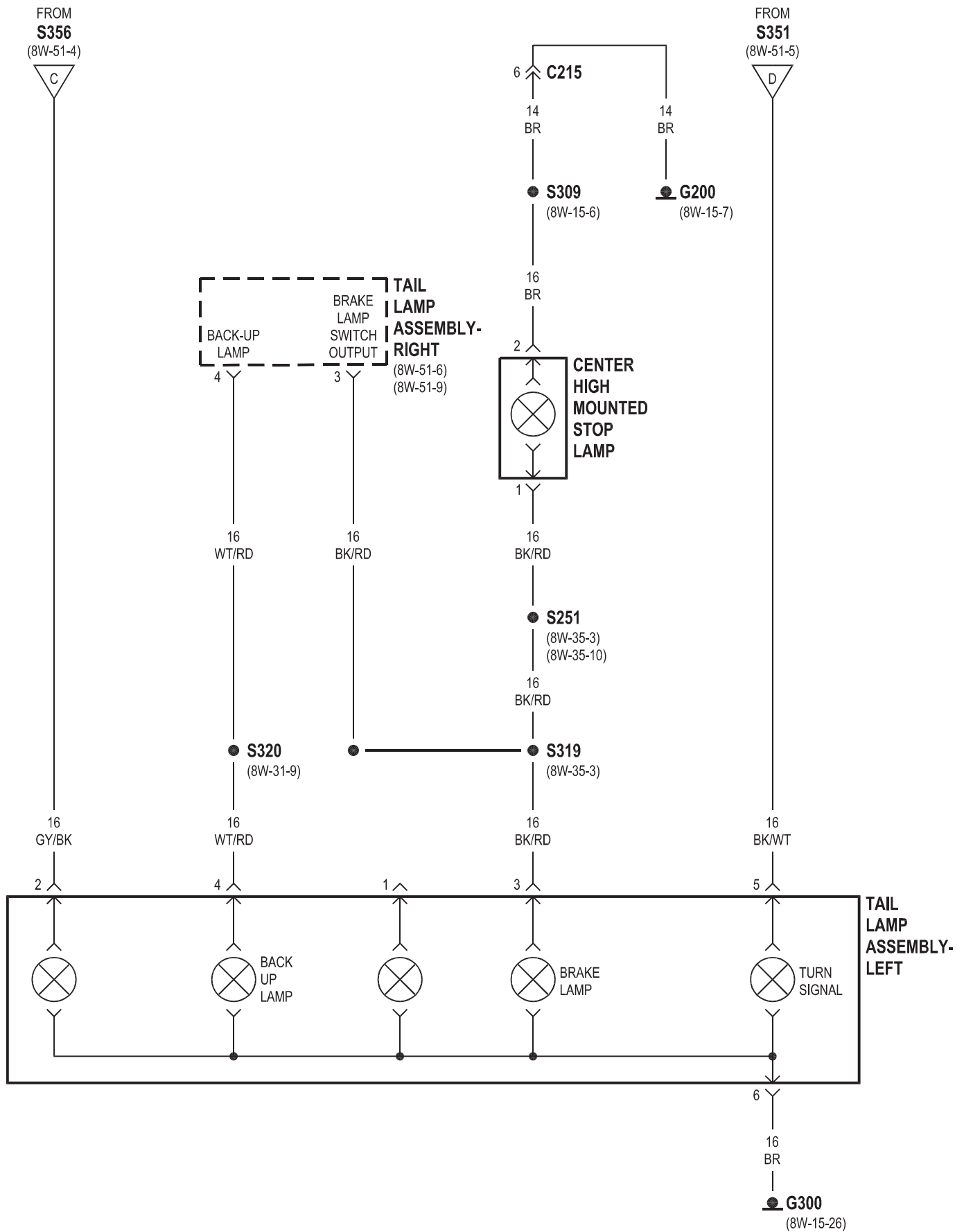


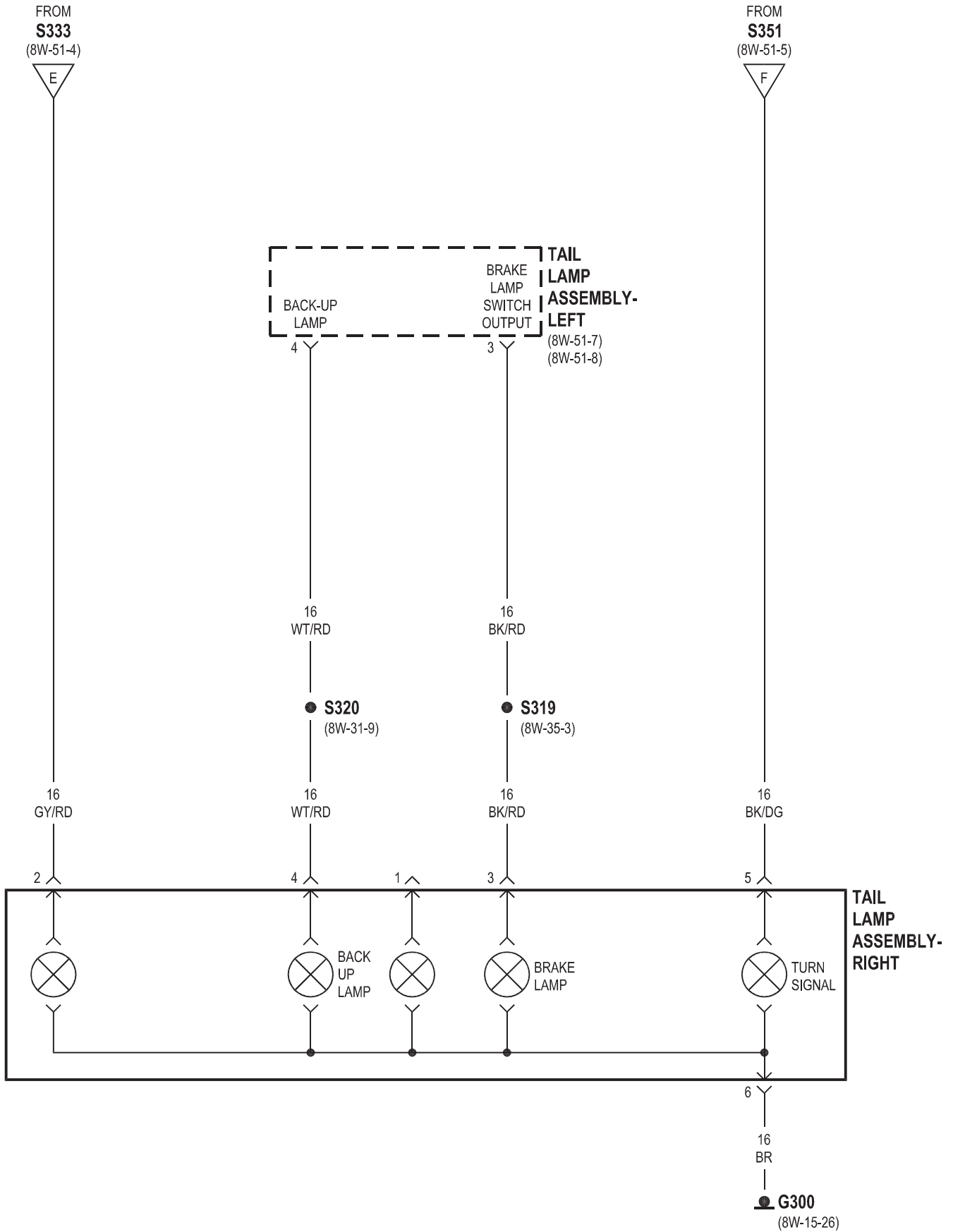






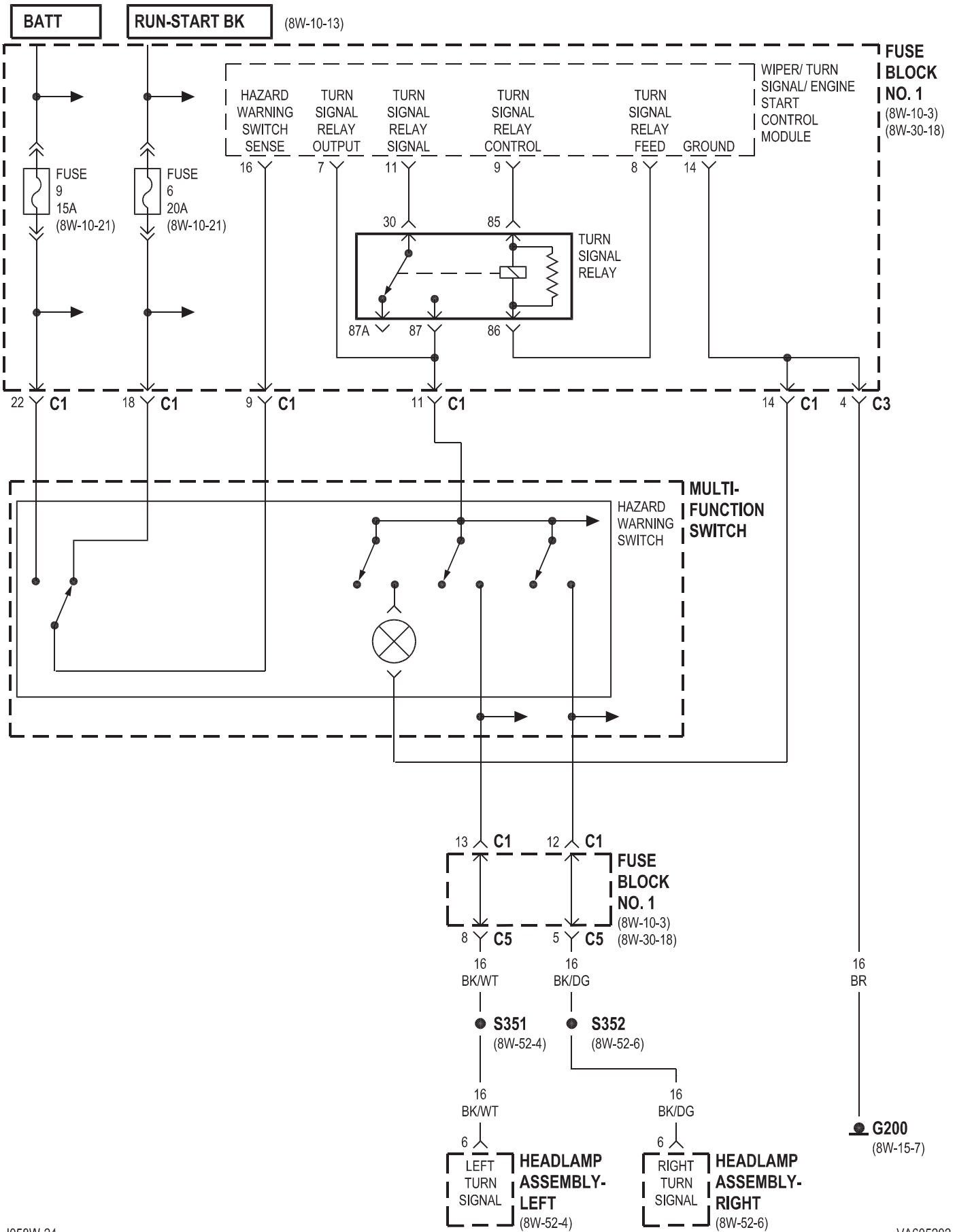


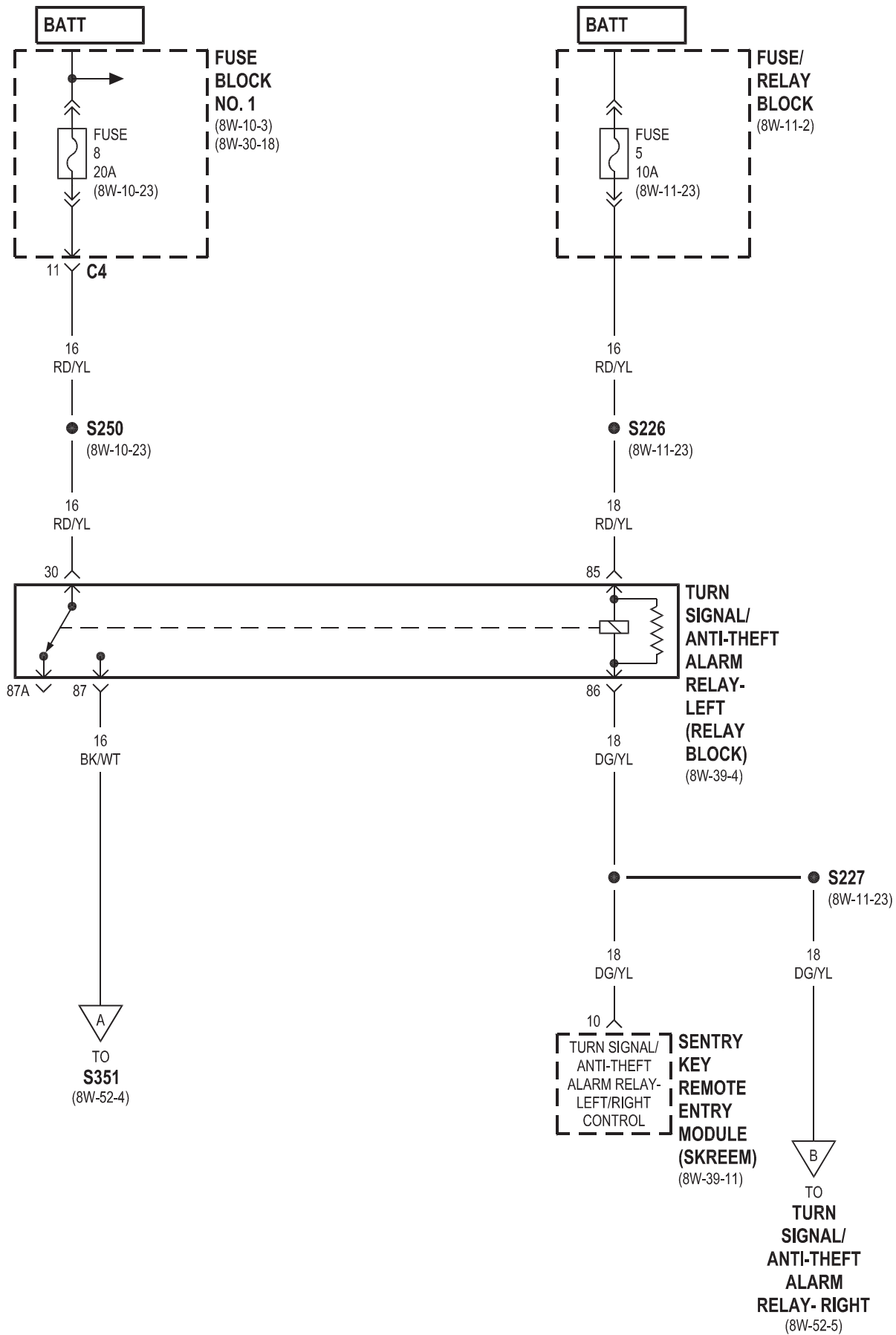


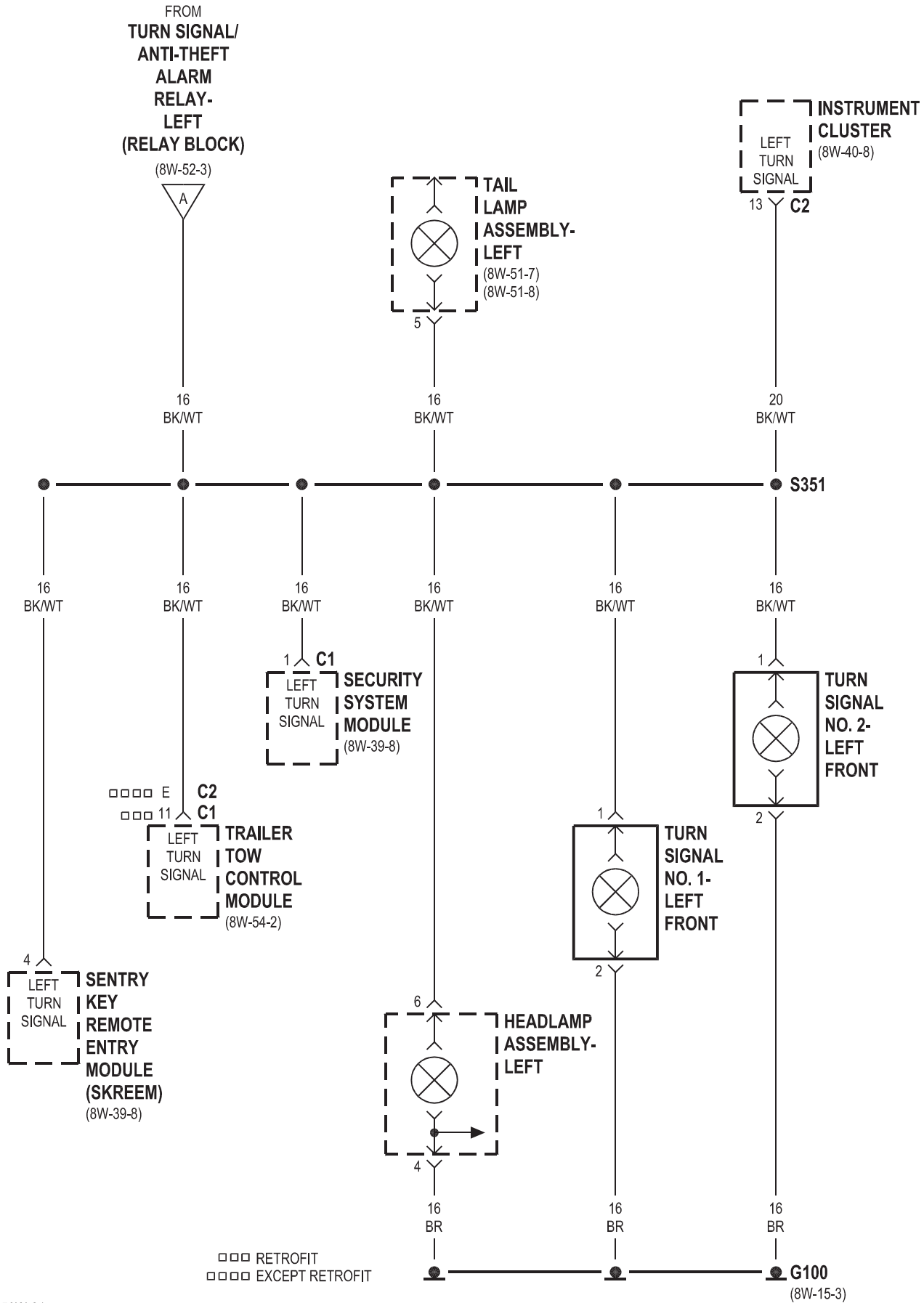


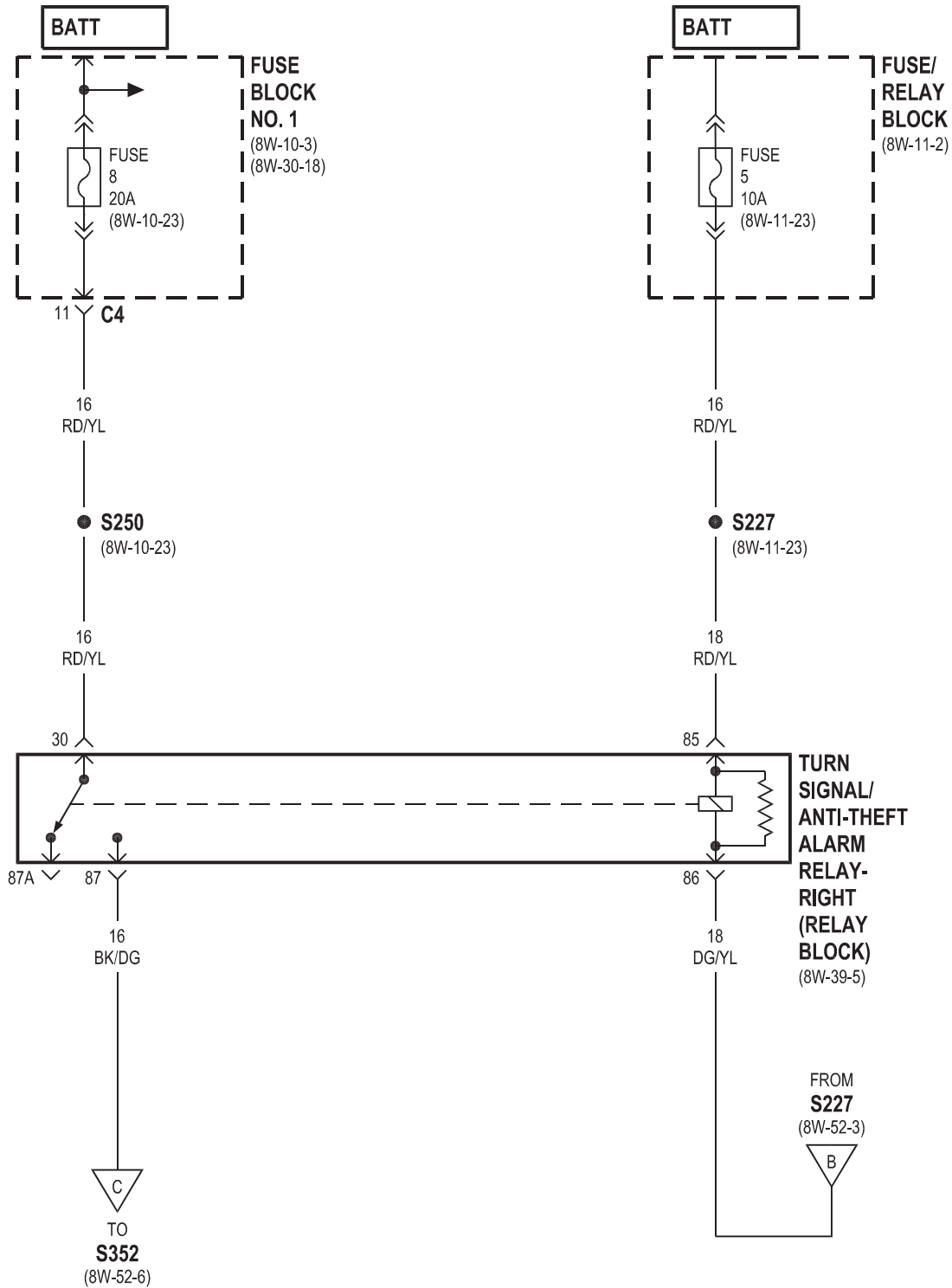
8W-52 TURN SIGNALS

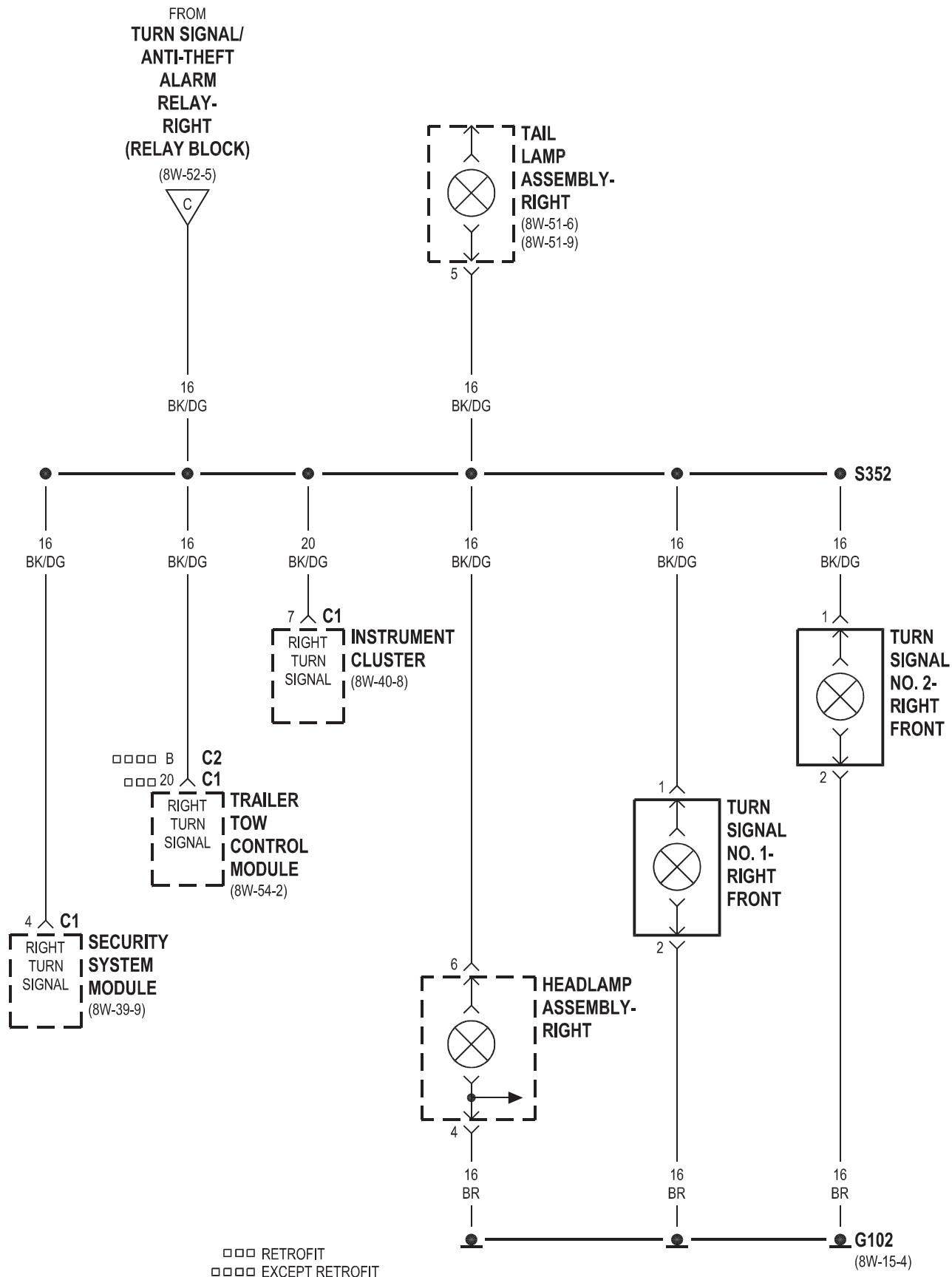
Component	Page	Component	Page
Fuse 5	8W-52-3, 5	Sentry Key Remote Entry Module	8W-52-3, 4
Fuse 6	8W-52-2	Tail Lamp Assembly-Left	8W-52-4
Fuse 8	8W-52-3, 5	Tail Lamp Assembly-Right	8W-52-6
Fuse 9	8W-52-2	Trailer Tow Control Module	8W-52-4, 6
Fuse Block No. 1	8W-52-2, 3, 5	Turn Signal No. 1-Left Front	8W-52-4
Fuse/Relay Block	8W-52-3, 5	Turn Signal No. 1-Right Front	8W-52-6
G100	8W-52-4	Turn Signal No. 2-Left Front	8W-52-4
G102	8W-52-6	Turn Signal No. 2-Right Front	8W-52-6
G200	8W-52-2	Turn Signal Relay	8W-52-2
Hazard Warning Switch	8W-52-2	Turn Signal/Anti-Theft Alarm	
Headlamp Assembly-Left	8W-52-2, 4	Relay-Left	8W-52-3, 4
Headlamp Assembly-Right	8W-52-2, 6	Turn Signal/Anti-Theft Alarm	
Instrument Cluster	8W-52-4, 6	Relay-Right	8W-52-3, 5, 6
Multi-Function Switch	8W-52-2	Wiper/Turn Signal/Engine Start Control	
Security System Module	8W-52-4, 6	Module	8W-52-2





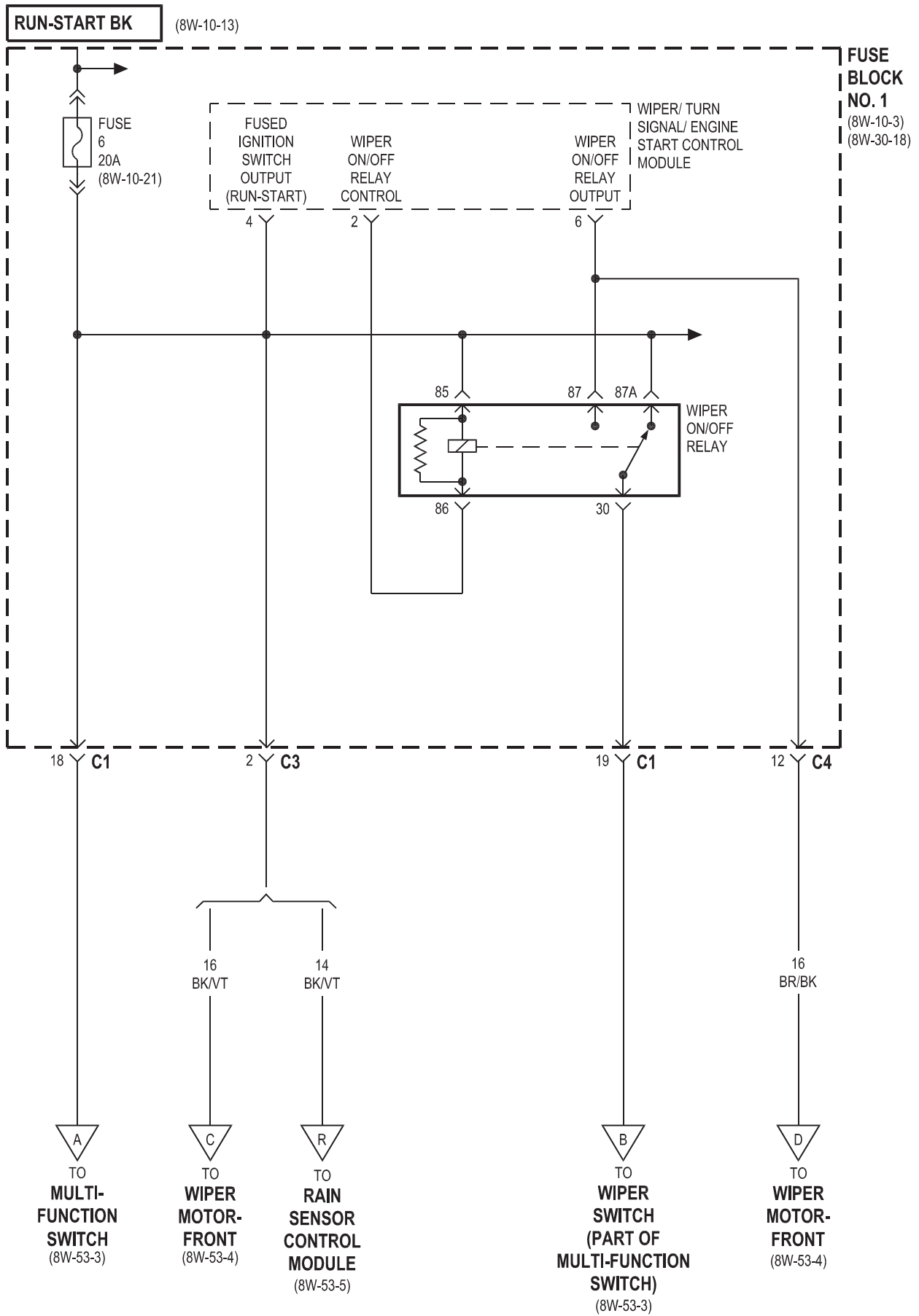


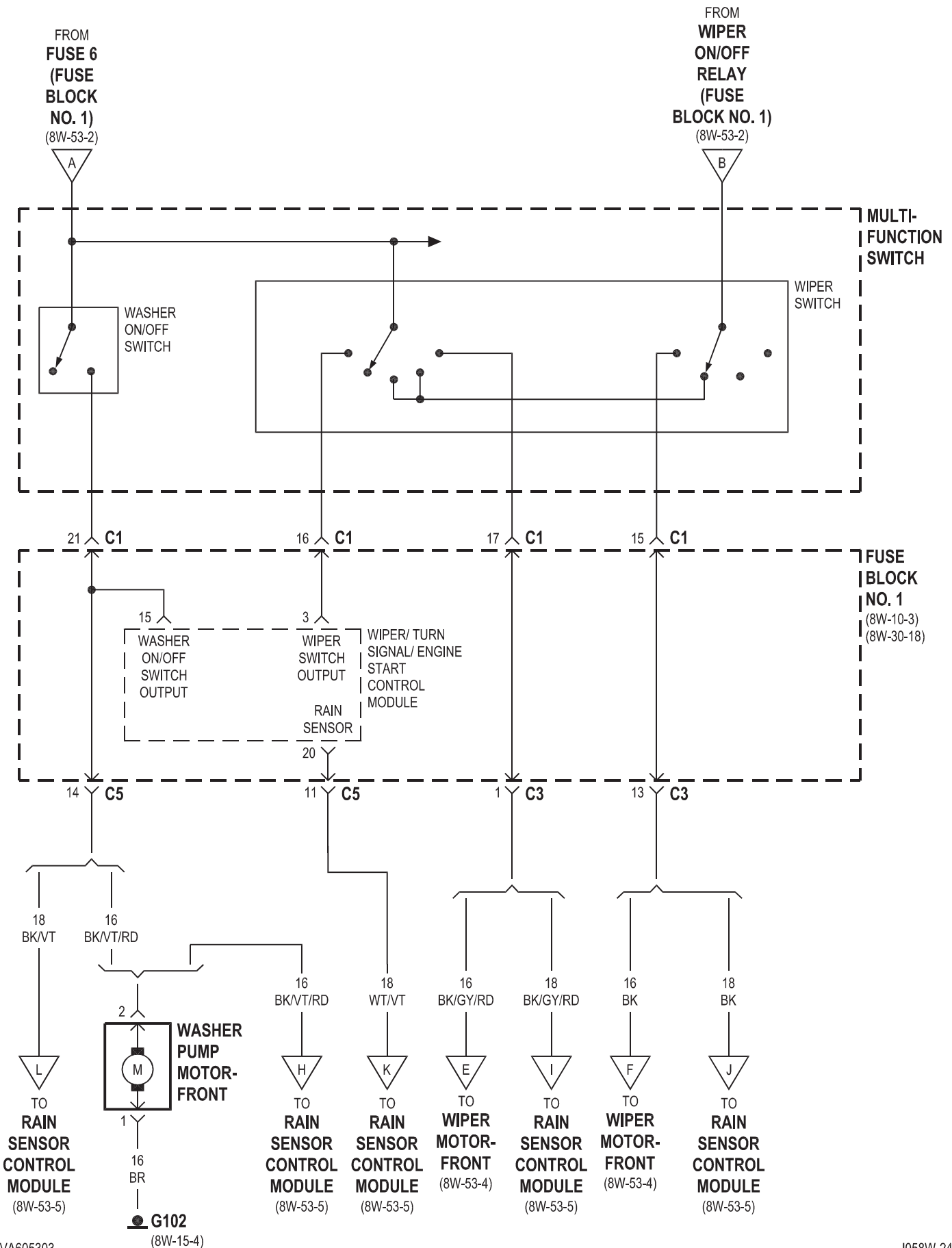


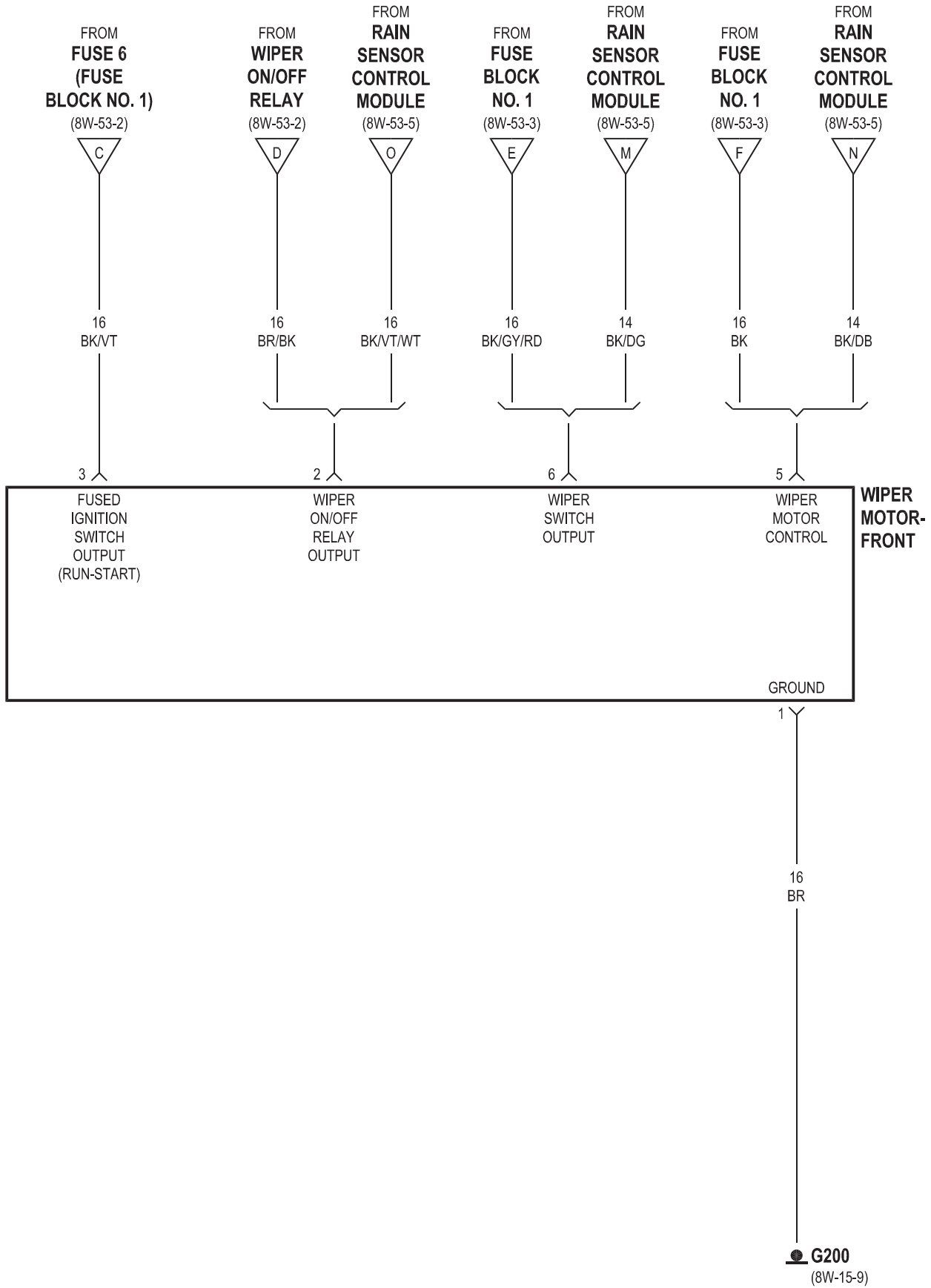


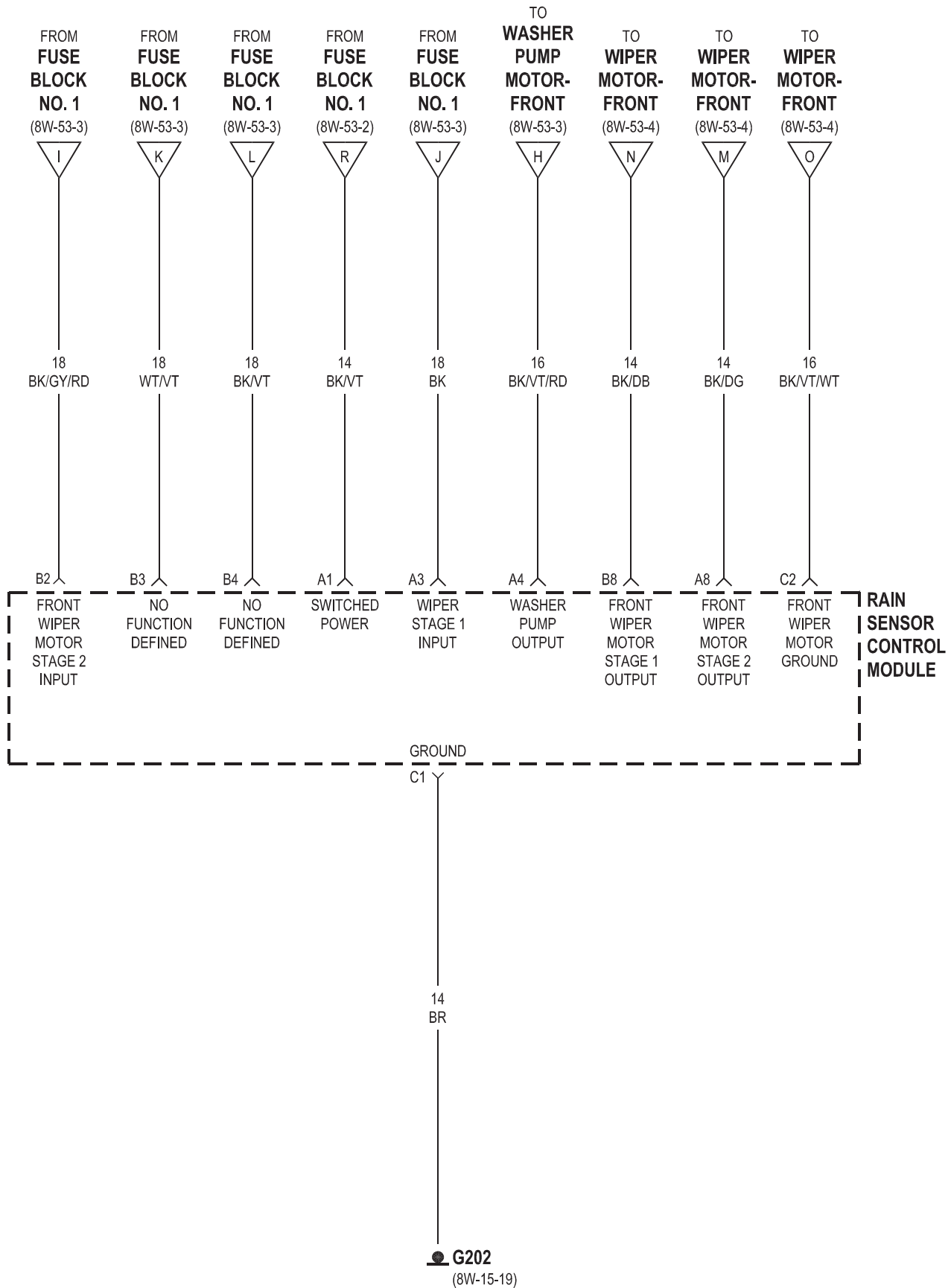
8W-53 WIPERS

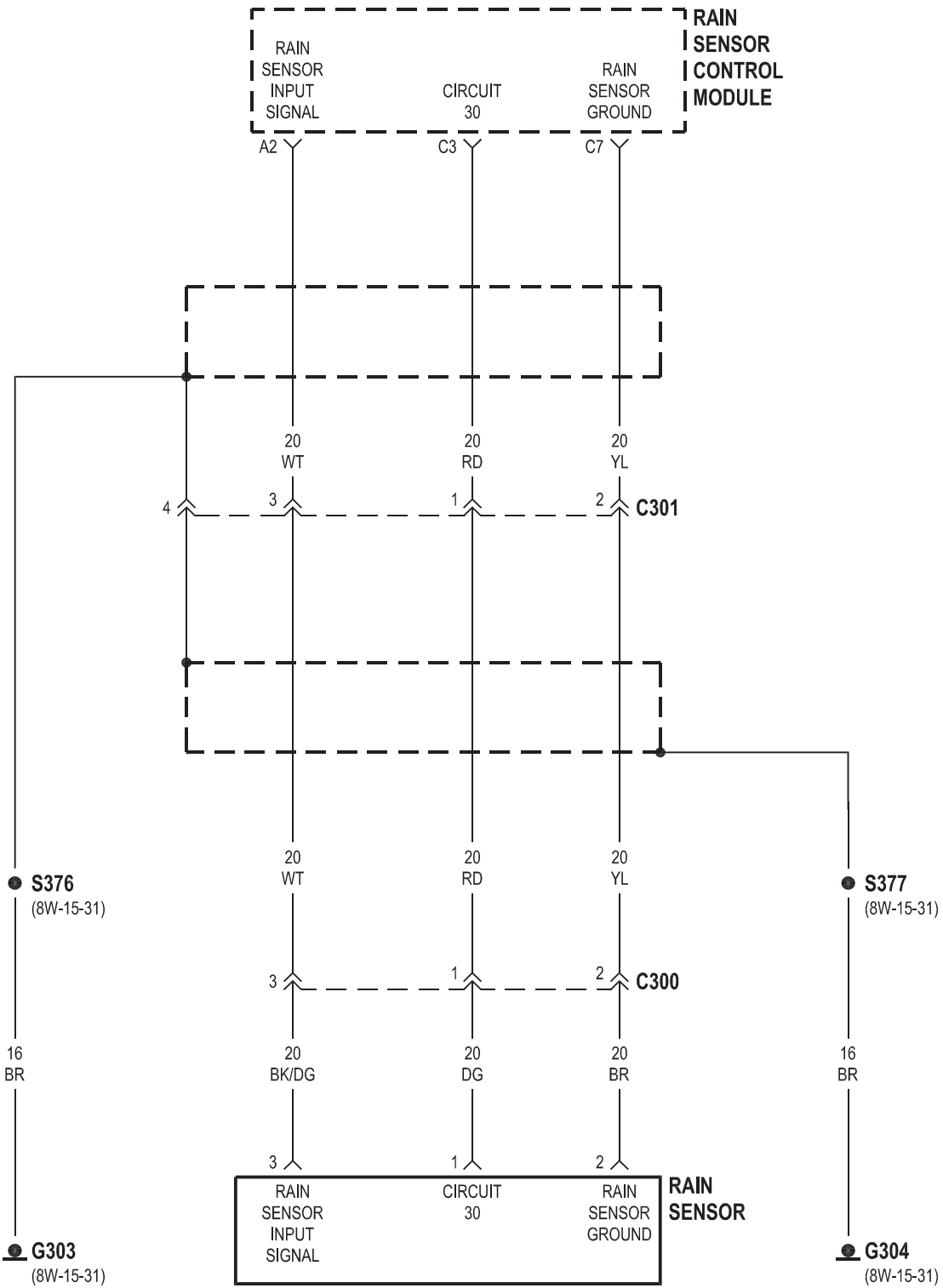
Component	Page	Component	Page
Fuse 6	8W-53-2, 3, 4	Rain Sensor Control Module	8W-53-2, 3, 4, 5, 6
Fuse Block No. 1	8W-53-2, 3, 4, 5	Washer On/Off Switch	8W-53-3
G102	8W-53-3	Washer Pump Motor-Front	8W-53-3, 5
G200	8W-53-4	Wiper Motor-Front	8W-53-2, 3, 4, 5
G202	8W-53-5	Wiper On/Off Relay	8W-53-2, 3, 4
G303	8W-53-6	Wiper Switch	8W-53-2, 3
G304	8W-53-6	Wiper/Turn Signal/Engine Start Control Module	8W-53-2, 3
Multi-Function Switch	8W-53-2, 3		
Rain Sensor	8W-53-6		





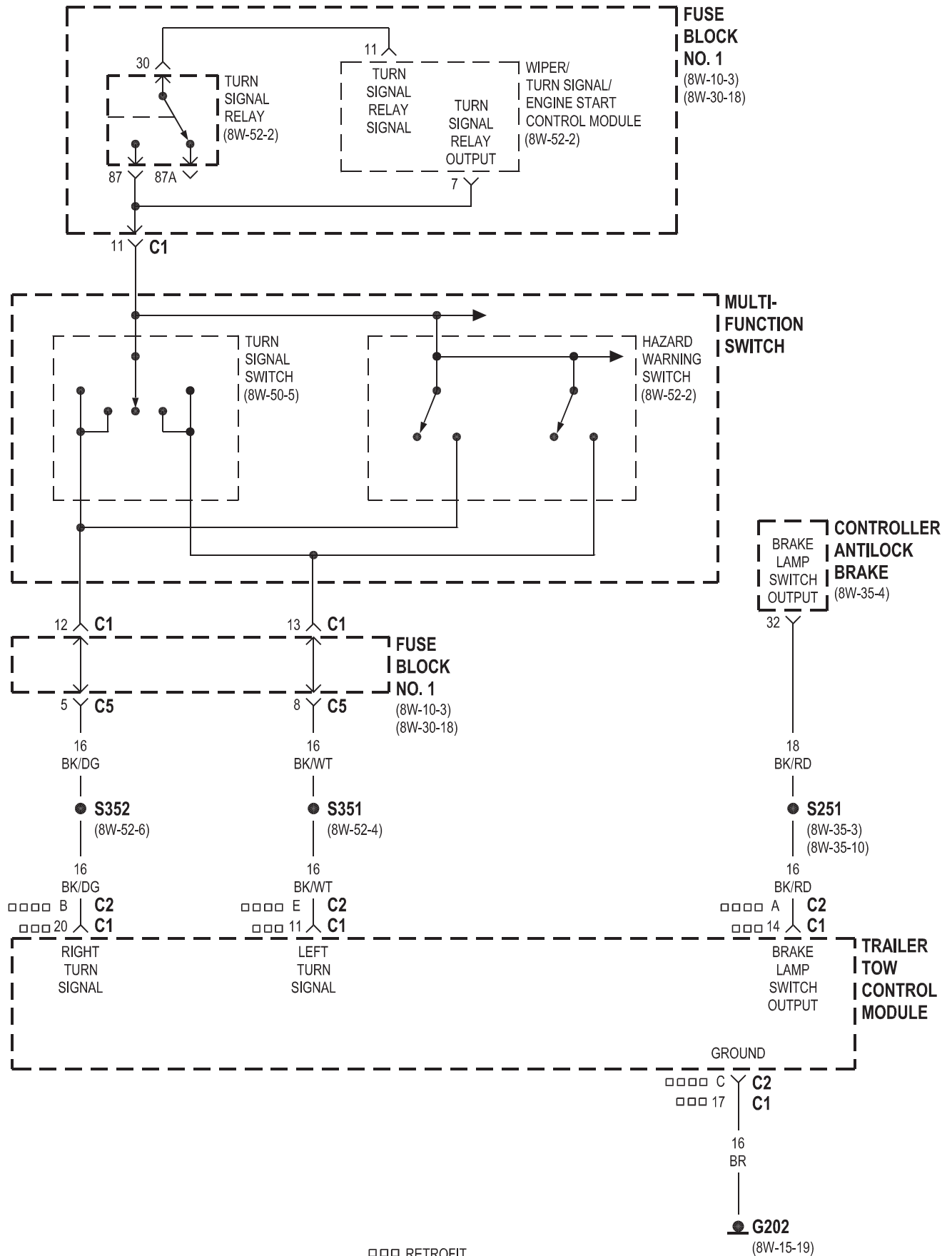


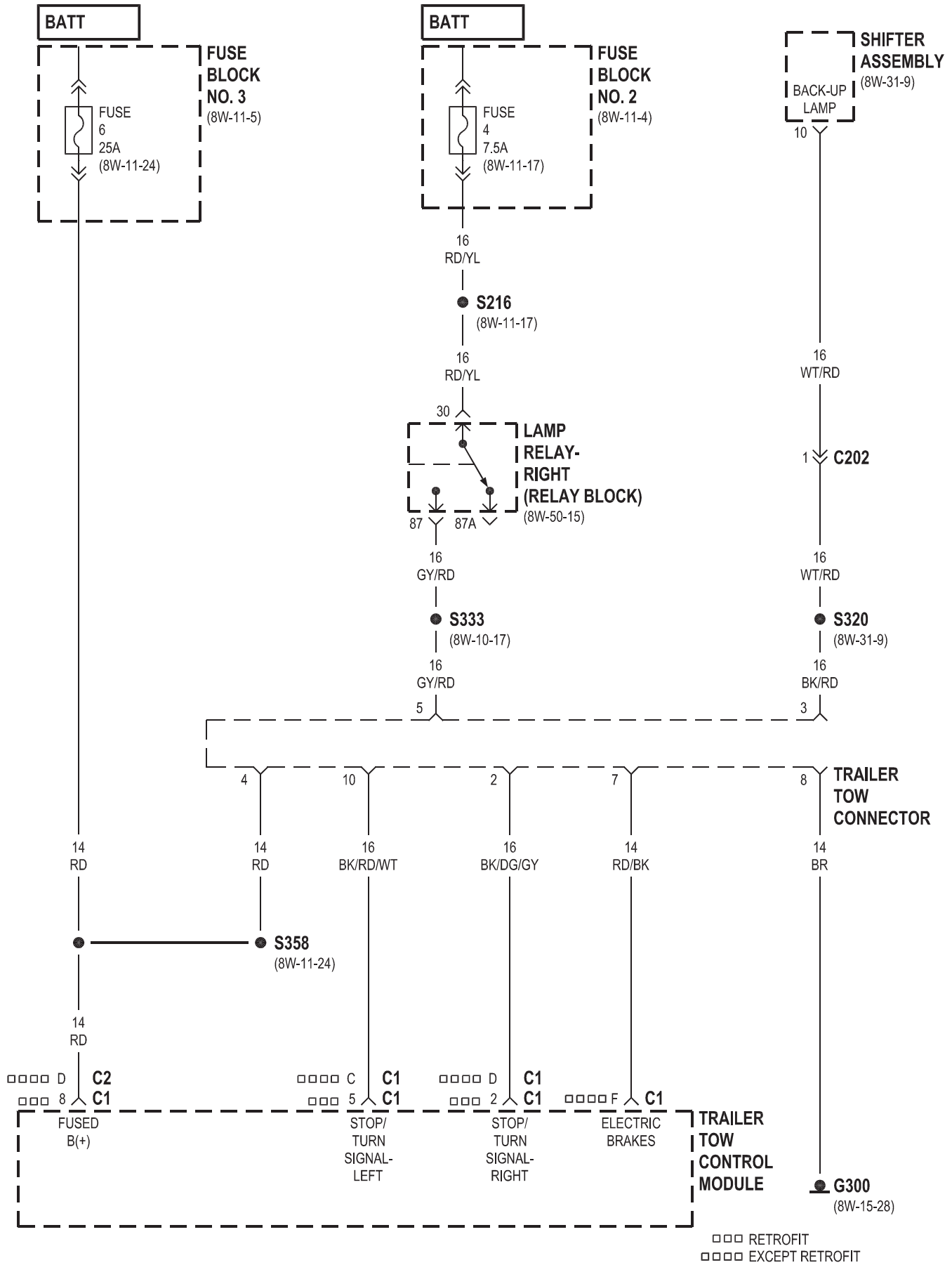




8W-54 TRAILER TOW

Component	Page	Component	Page
Controller Antilock Brake	8W-54-2	Lamp Relay-Right	8W-54-3
Fuse 4	8W-54-3	Multi-Function Switch	8W-54-2
Fuse 6	8W-54-3	Shifter Assembly	8W-54-3
Fuse Block No. 1	8W-54-2	Trailer Tow Connector	8W-54-3
Fuse Block No. 2	8W-54-3	Trailer Tow Control Module	8W-54-2, 3
Fuse Block No. 3	8W-54-3	Turn Signal Relay	8W-54-2
G202	8W-54-2	Turn Signal Switch	8W-54-2
G300	8W-54-3	Wiper/Turn Signal/Engine Start Control	
Hazard Warning Switch	8W-54-2	Module	8W-54-2

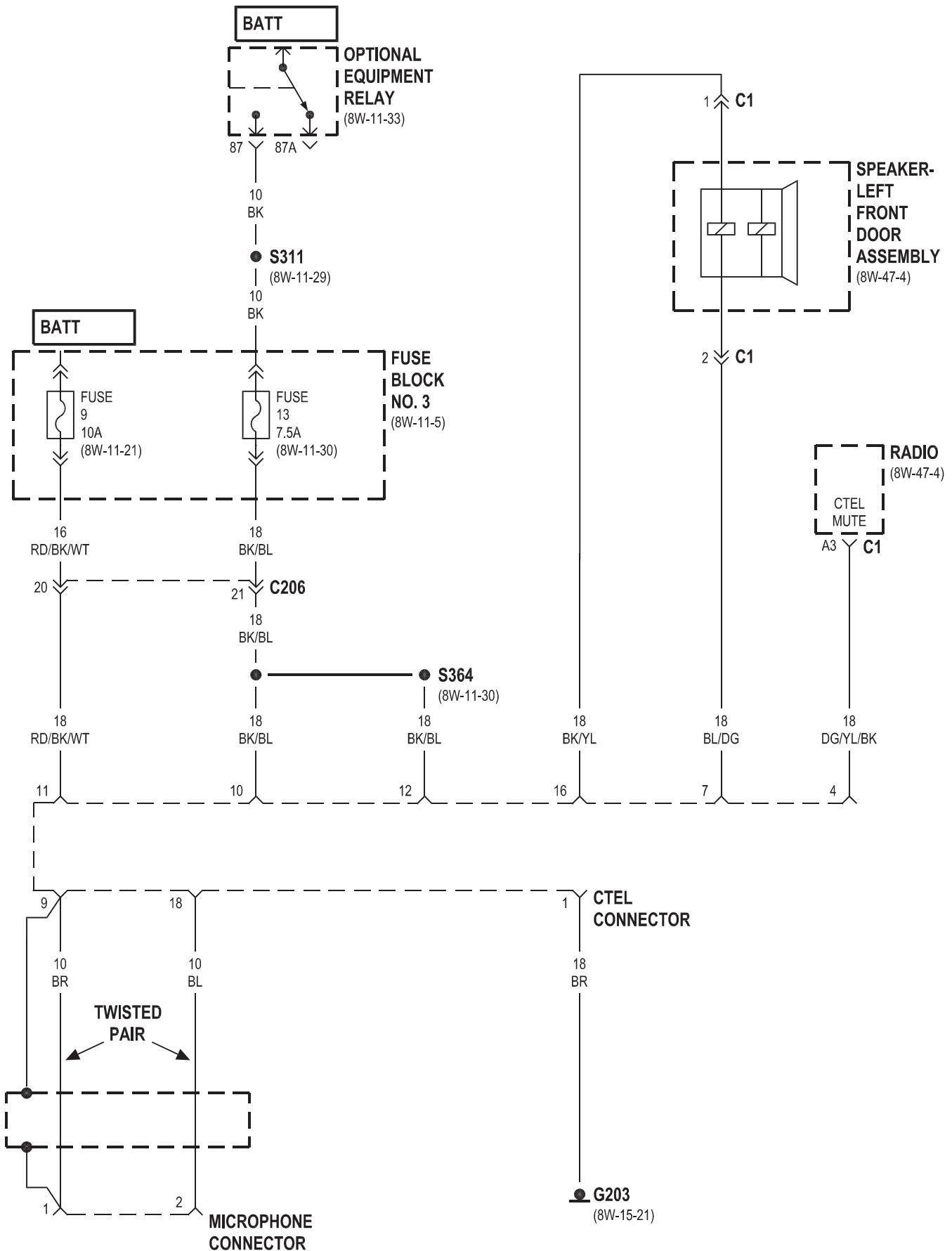


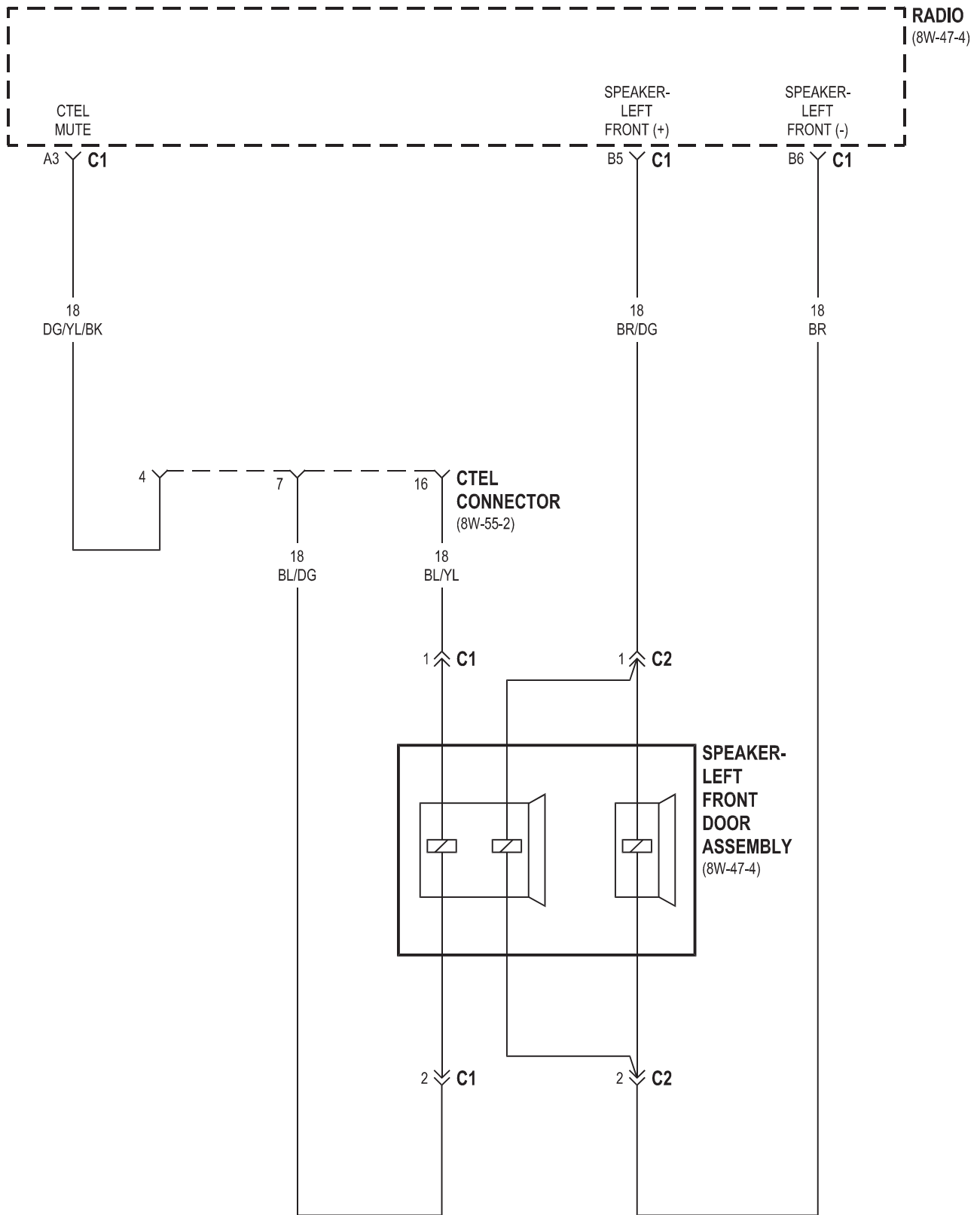


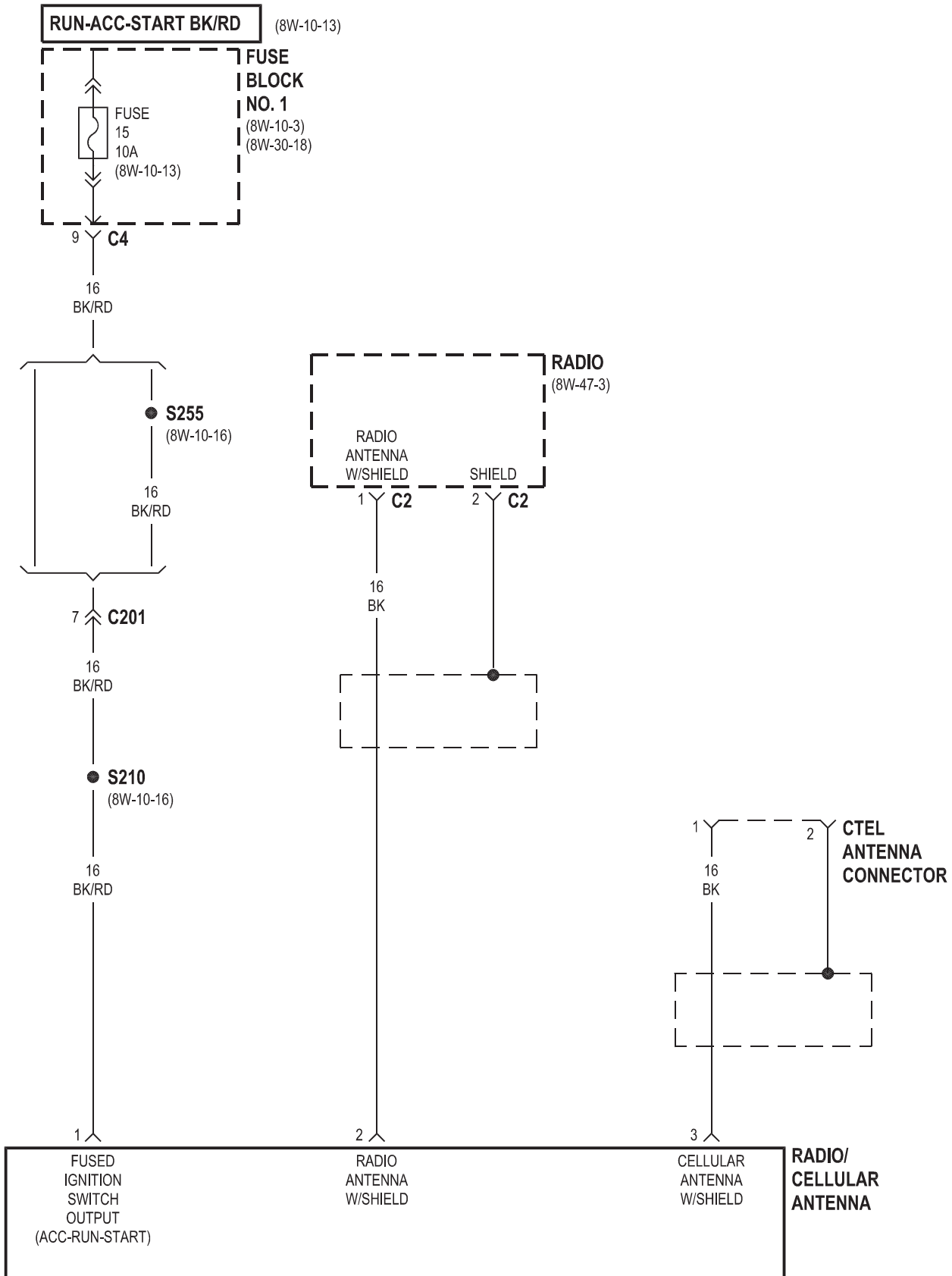
□□ RETROFIT
 □□□ EXCEPT RETROFIT

8W-55 NAVIGATION/TELECOMMUNICATIONS

Component	Page	Component	Page
CTEL Antenna Connector	8W-55-4	G203	8W-55-2
CTEL Connector	8W-55-2, 3	Microphone Connector	8W-55-2
Fuse 9	8W-55-2	Optional Equipment Relay	8W-55-2
Fuse 13	8W-55-2	Radio	8W-55-2, 3, 4
Fuse 15	8W-55-4	Radio/Cellular Antenna	8W-55-4
Fuse Block No. 1	8W-55-4	Speaker-Left Front Door Assembly	8W-55-2, 3
Fuse Block No. 3	8W-55-2		

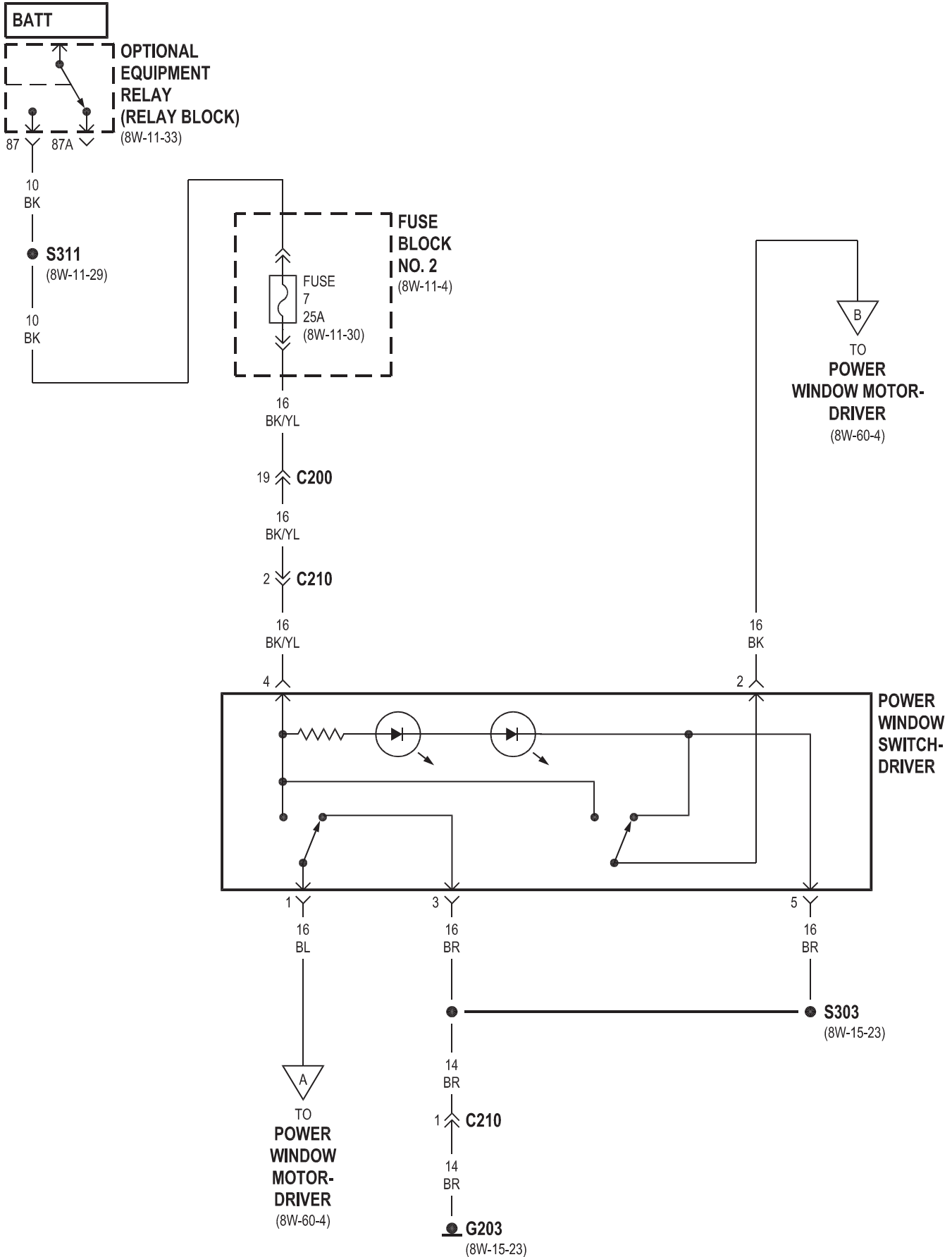


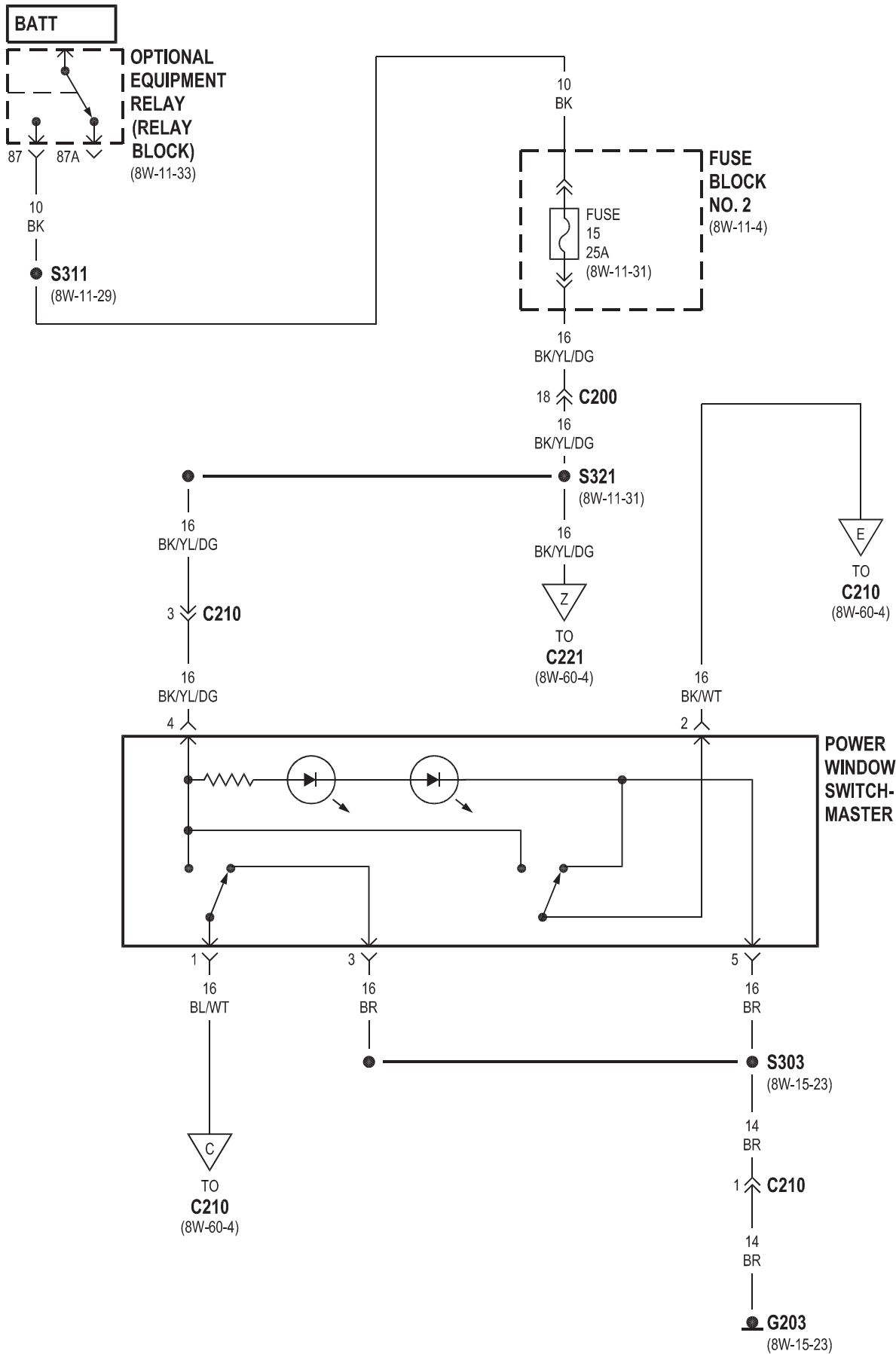


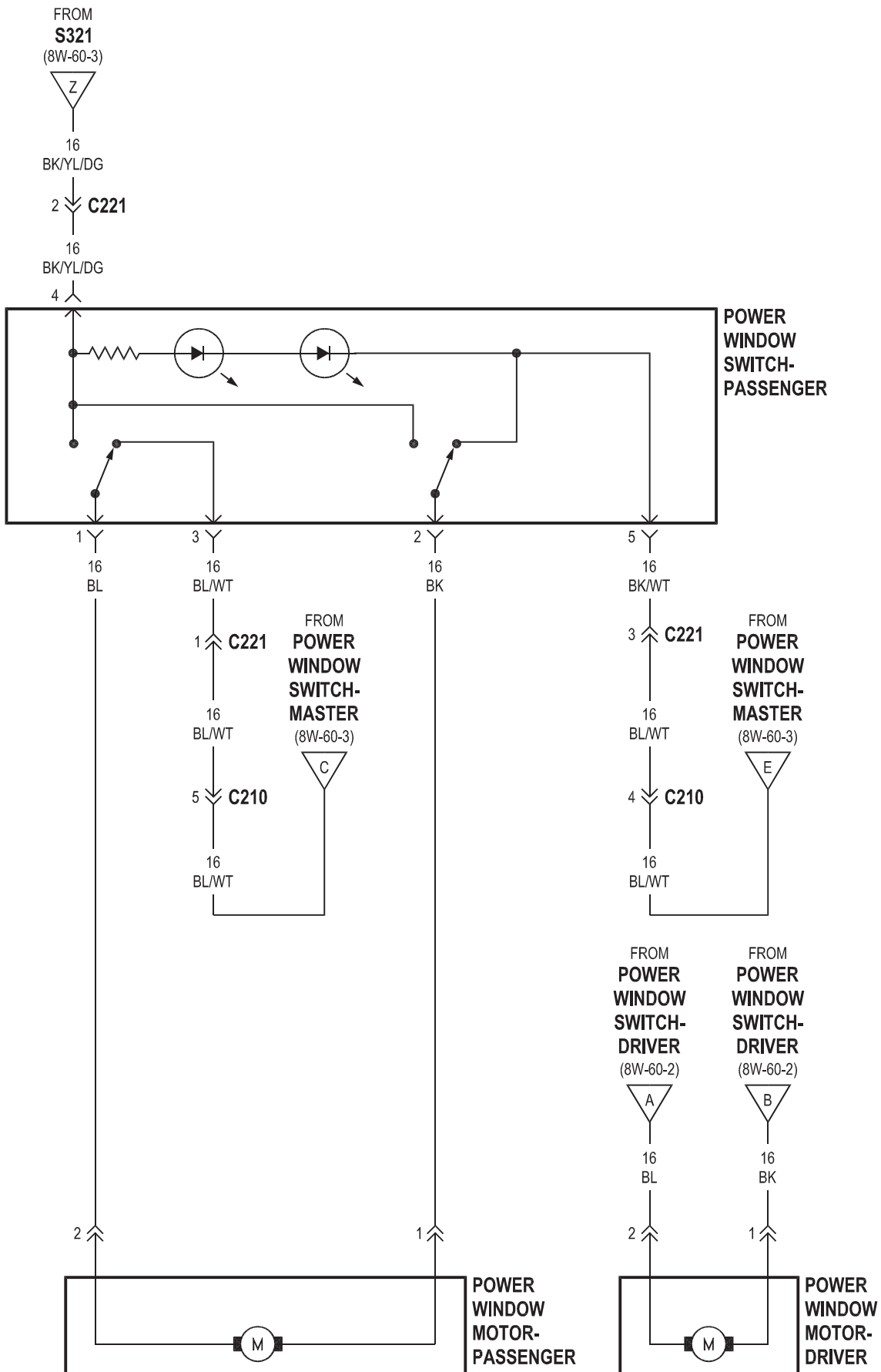


8W-60 POWER WINDOWS

Component	Page	Component	Page
Fuse 7	8W-60-2	Power Window Motor-Driver	8W-60-2, 4
Fuse 15	8W-60-3	Power Window Motor-Passenger	8W-60-4
Fuse Block No. 2	8W-60-2, 3	Power Window Switch-Driver	8W-60-2, 4
G203	8W-60-2, 3	Power Window Switch-Master	8W-60-3, 4
Optional Equipment Relay	8W-60-2, 3	Power Window Switch-Passenger	8W-60-4

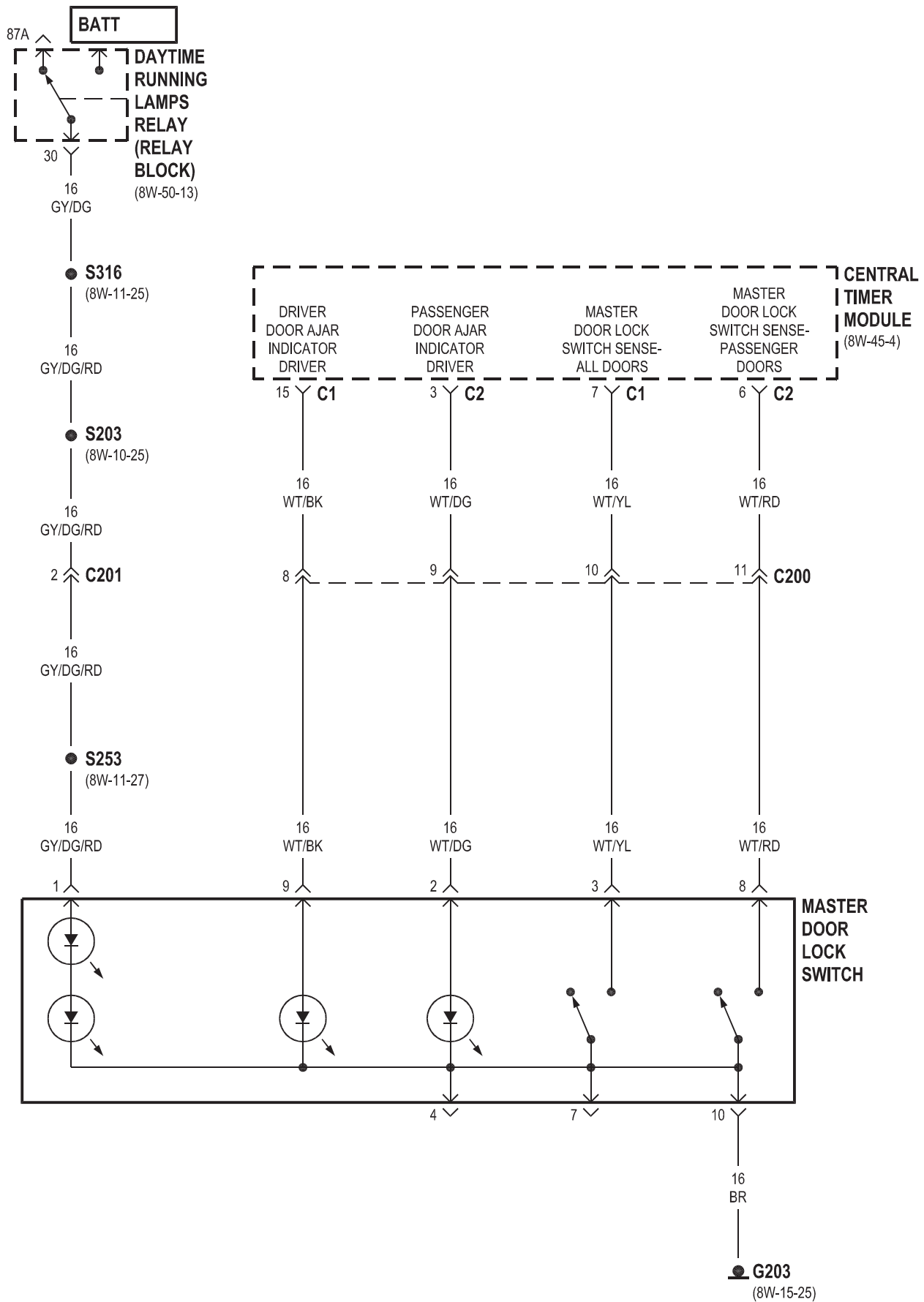


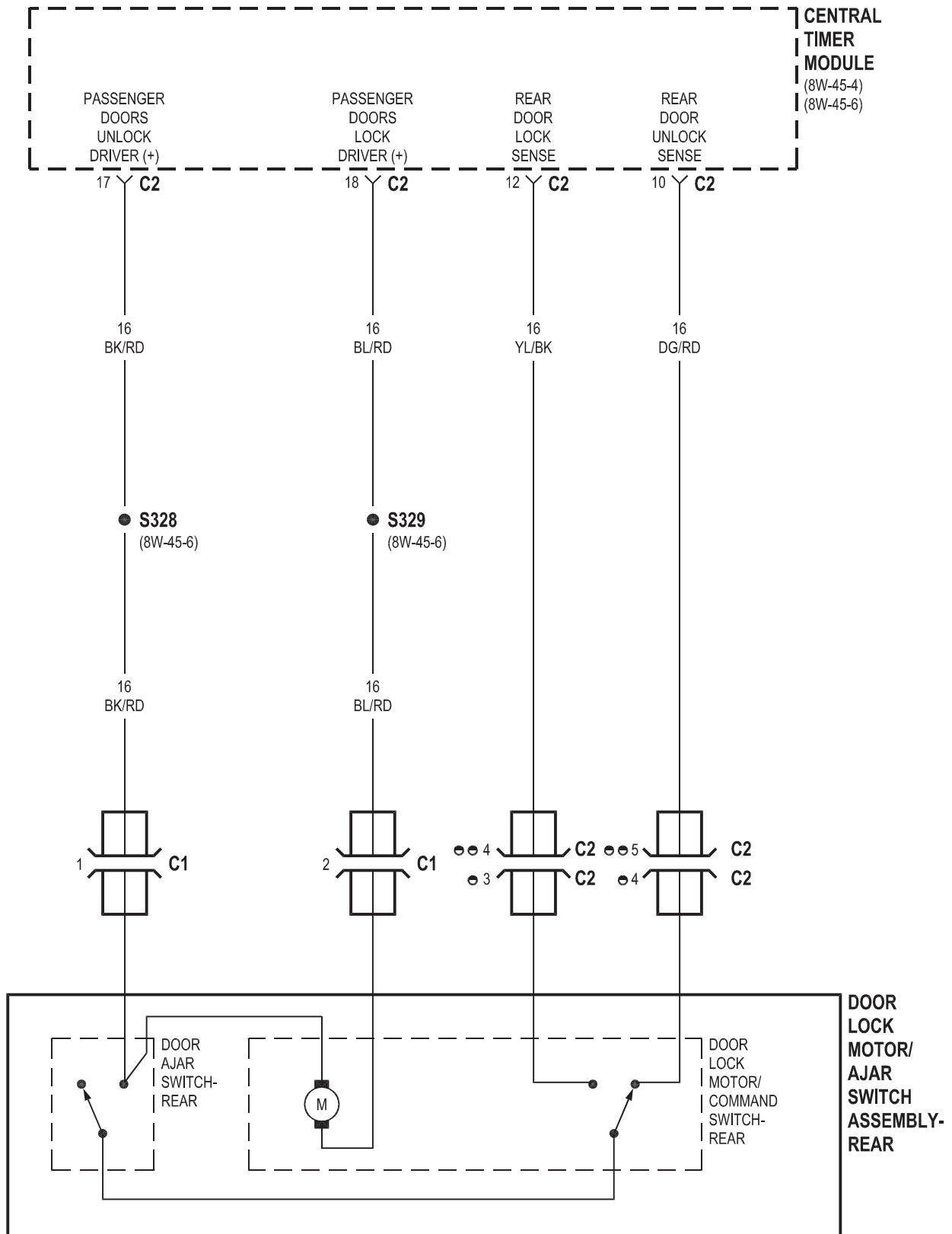




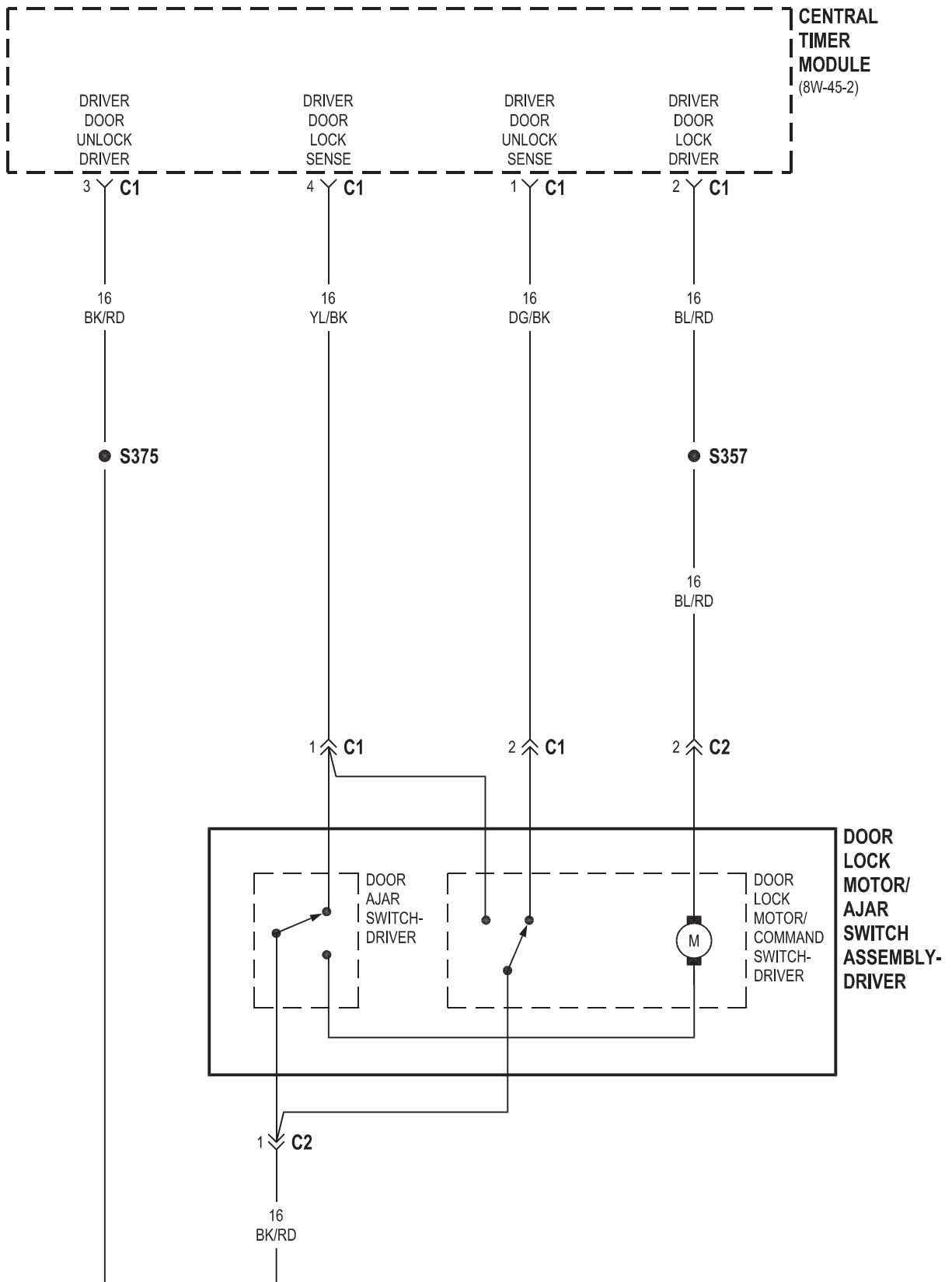
8W-61 POWER DOOR LOCKS

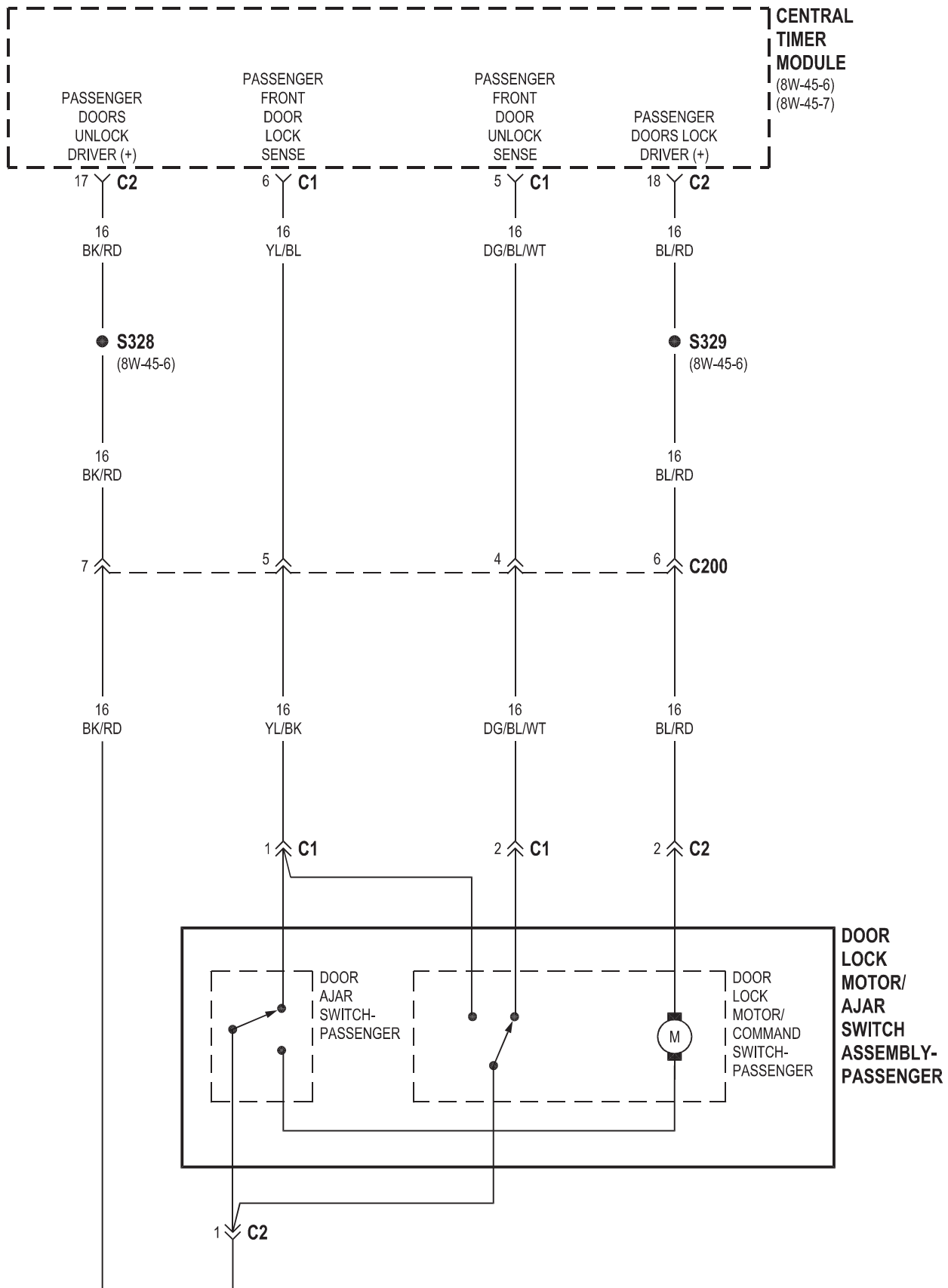
Component	Page	Component	Page
Central Timer Module	8W-61-2, 3, 4, 5, 6, 7	Door Lock Motor/Ajar Switch Assembly- Rear	8W-61-3
Cylinder Lock Switch-Driver	8W-61-8	Door Lock Motor/Ajar Switch Assembly-Right Sliding	8W-61-7
Daytime Running Lamps Relay	8W-61-2	G200	8W-61-8
Door Jamb Switch-Left Sliding	8W-61-8	G203	8W-61-2
Door Jamb Switch-Rear	8W-61-8	Interior Lamp-Right	8W-61-8
Door Jamb Switch-Right Sliding	8W-61-8	Master Door Lock Switch	8W-61-2
Door Lock Motor/Ajar Switch Assembly- Driver	8W-61-4	Security System Module	8W-61-8
Door Lock Motor/Ajar Switch Assembly-Left Sliding	8W-61-6		
Door Lock Motor/Ajar Switch Assembly- Passenger	8W-61-5		

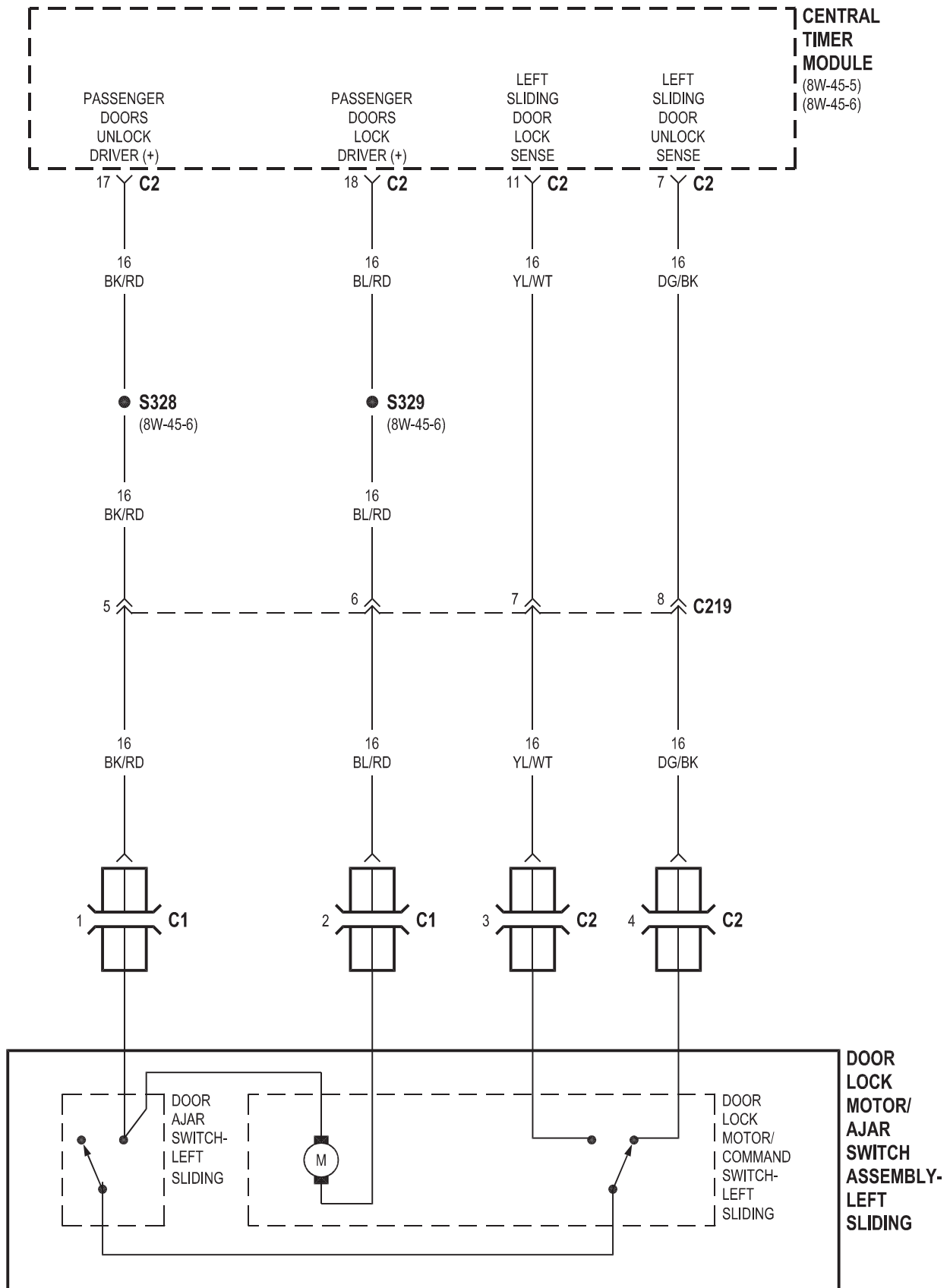


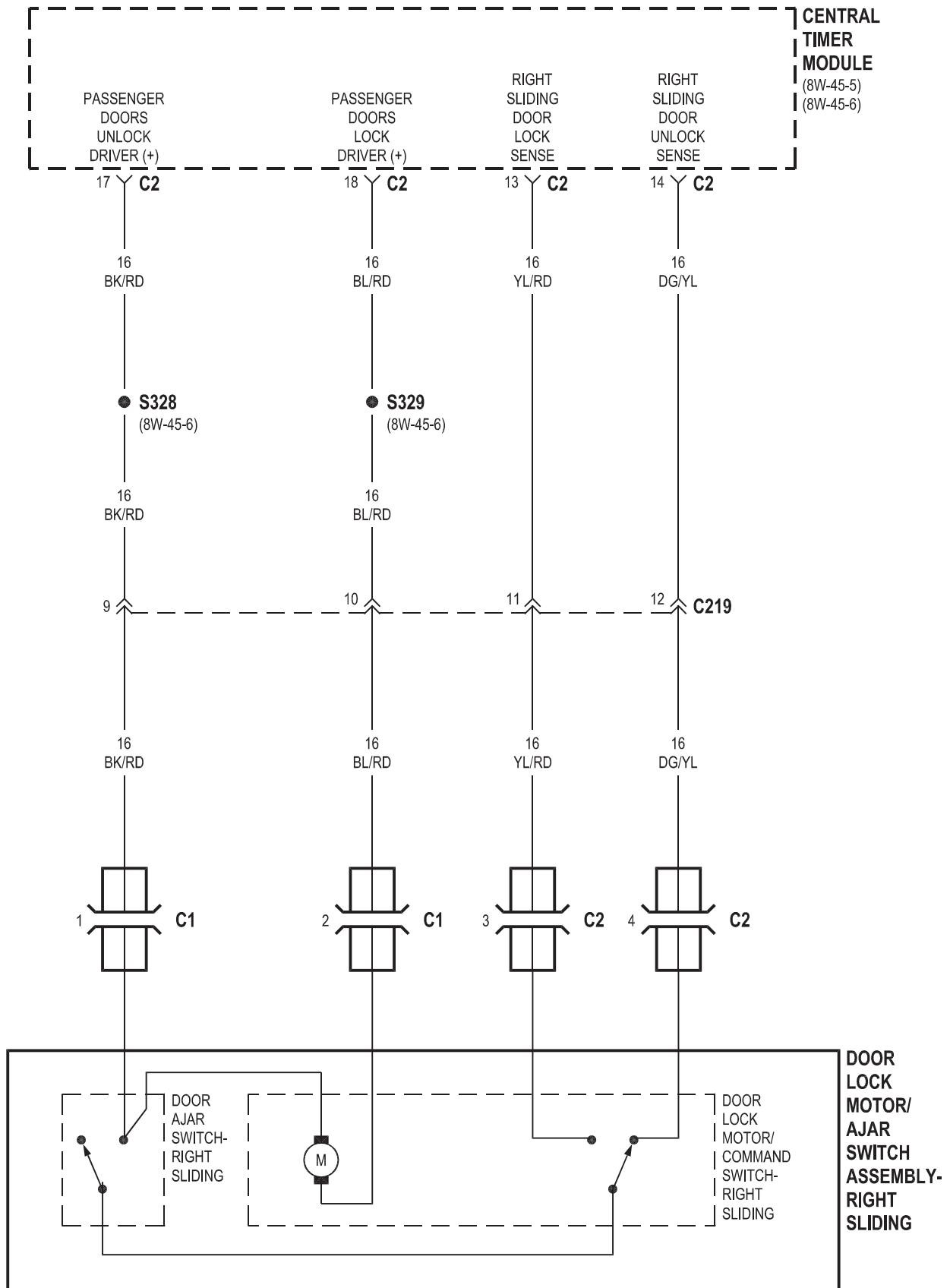


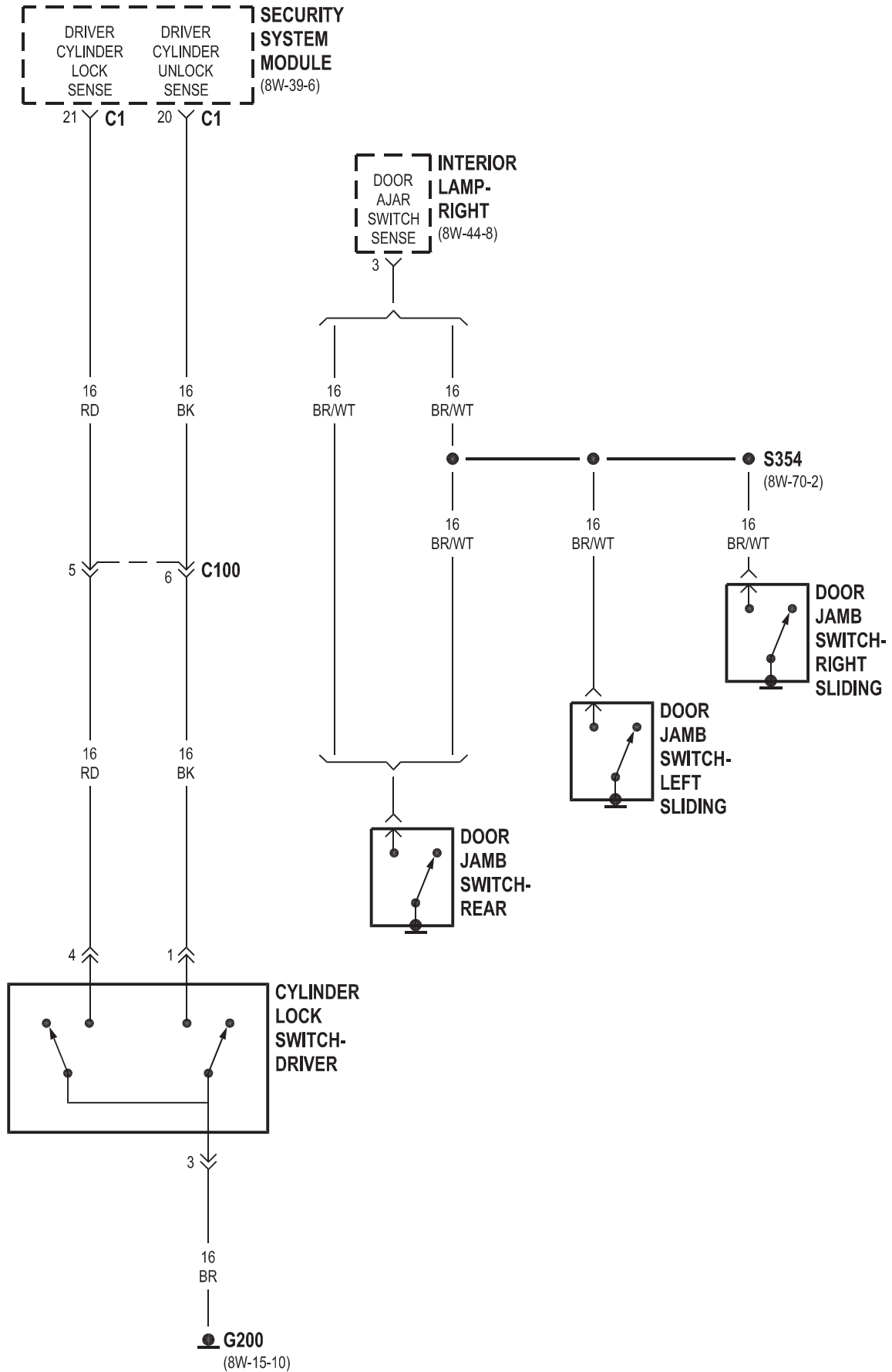
● CARGO VAN
 ●● PASSENGER VAN





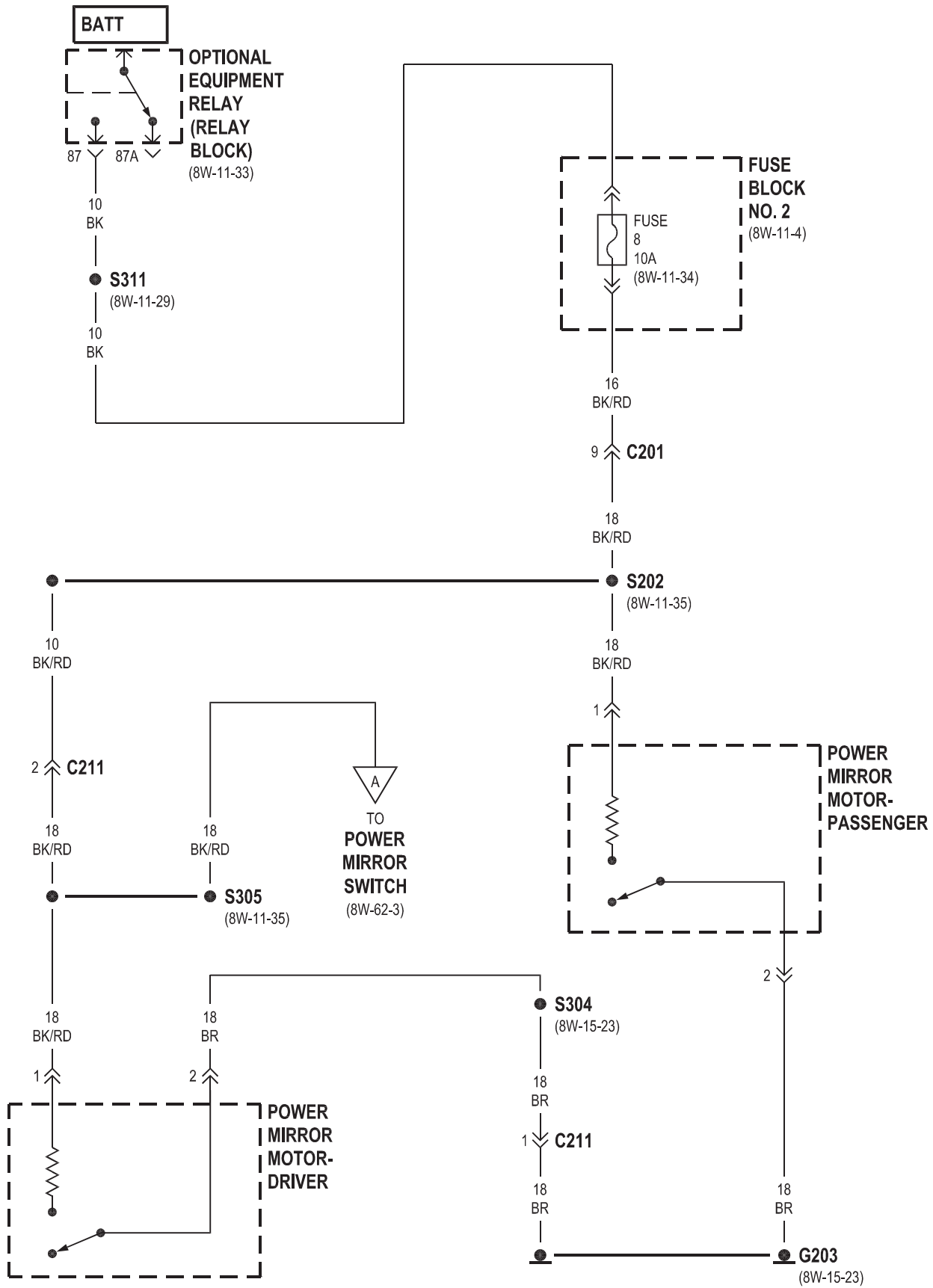


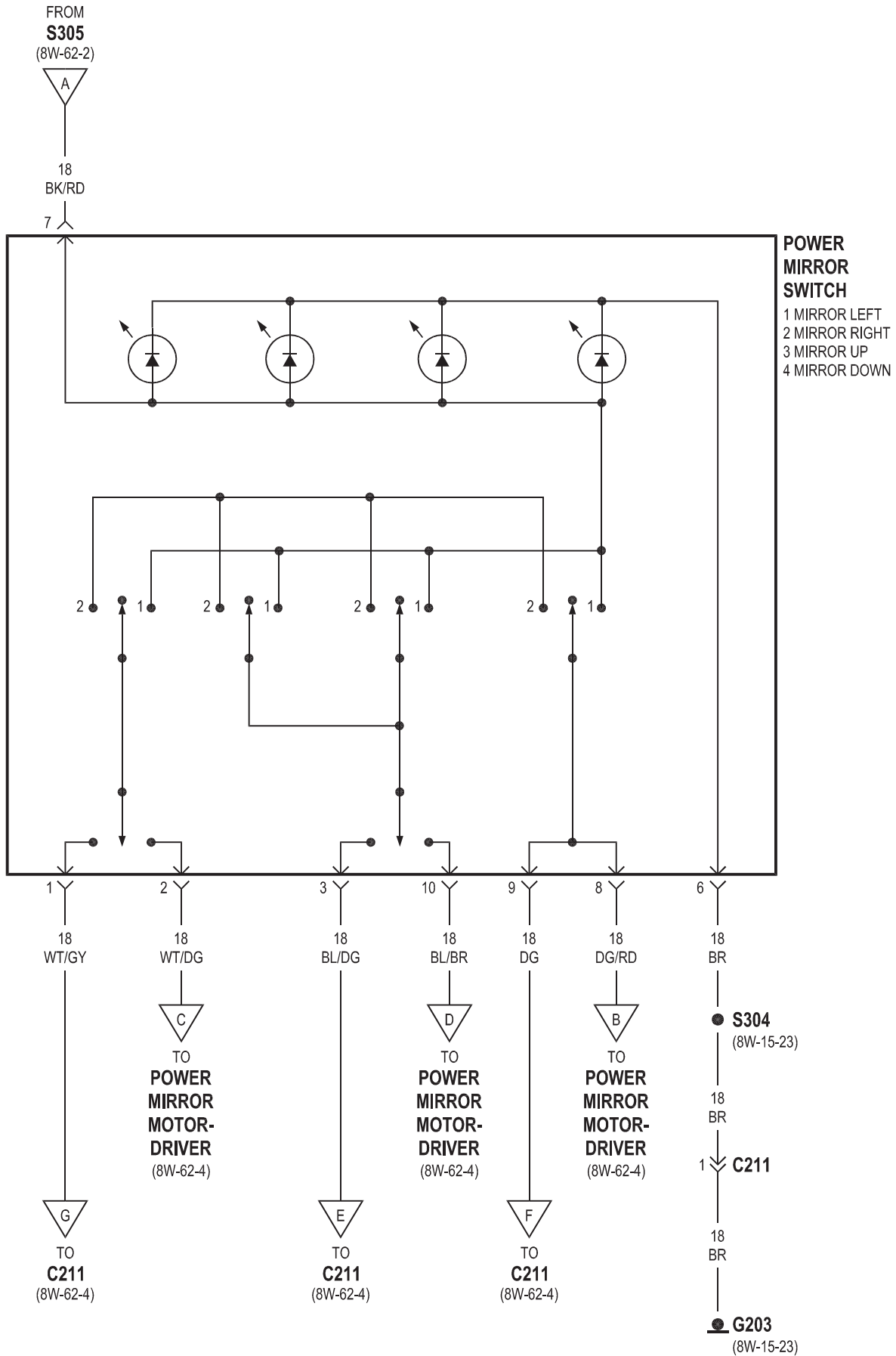


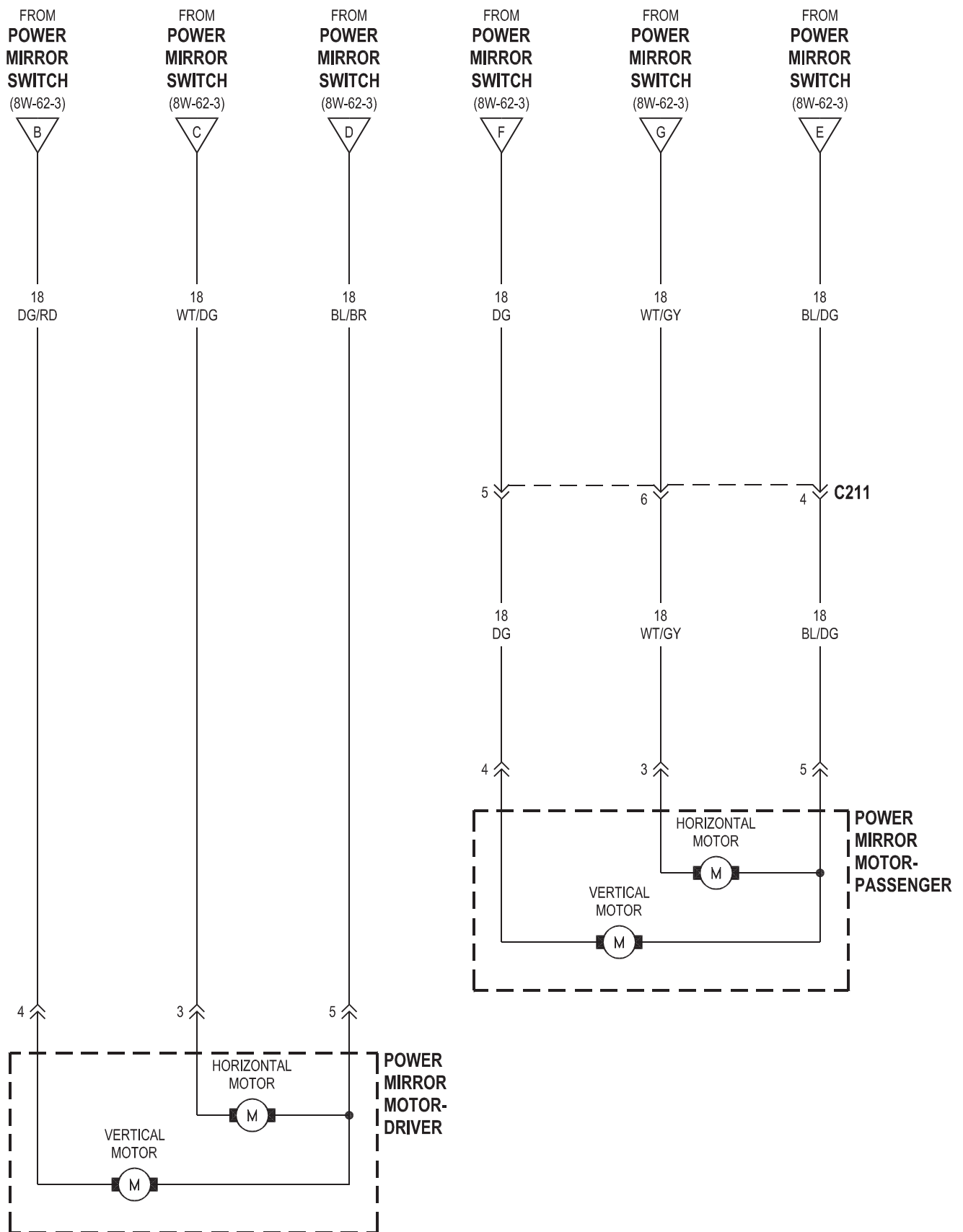


8W-62 POWER MIRRORS

Component	Page	Component	Page
Fuse 8	8W-62-2	Power Mirror Motor-Driver	8W-62-2, 3, 4
Fuse Block No. 2	8W-62-2	Power Mirror Motor-Passenger	8W-62-2, 4
G203	8W-62-2, 3	Power Mirror Switch	8W-62-2, 3, 4
Optional Equipment Relay	8W-62-2		

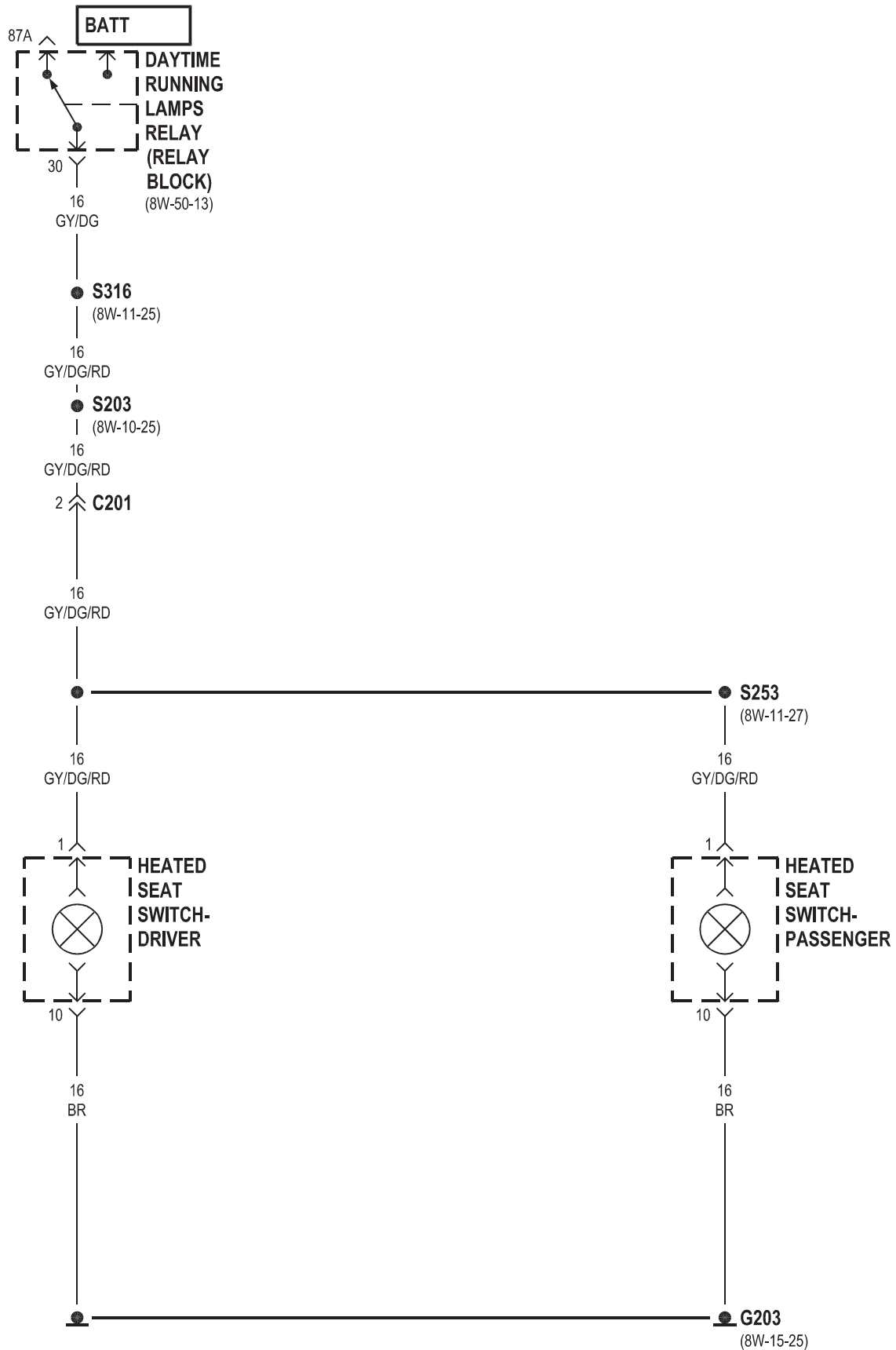


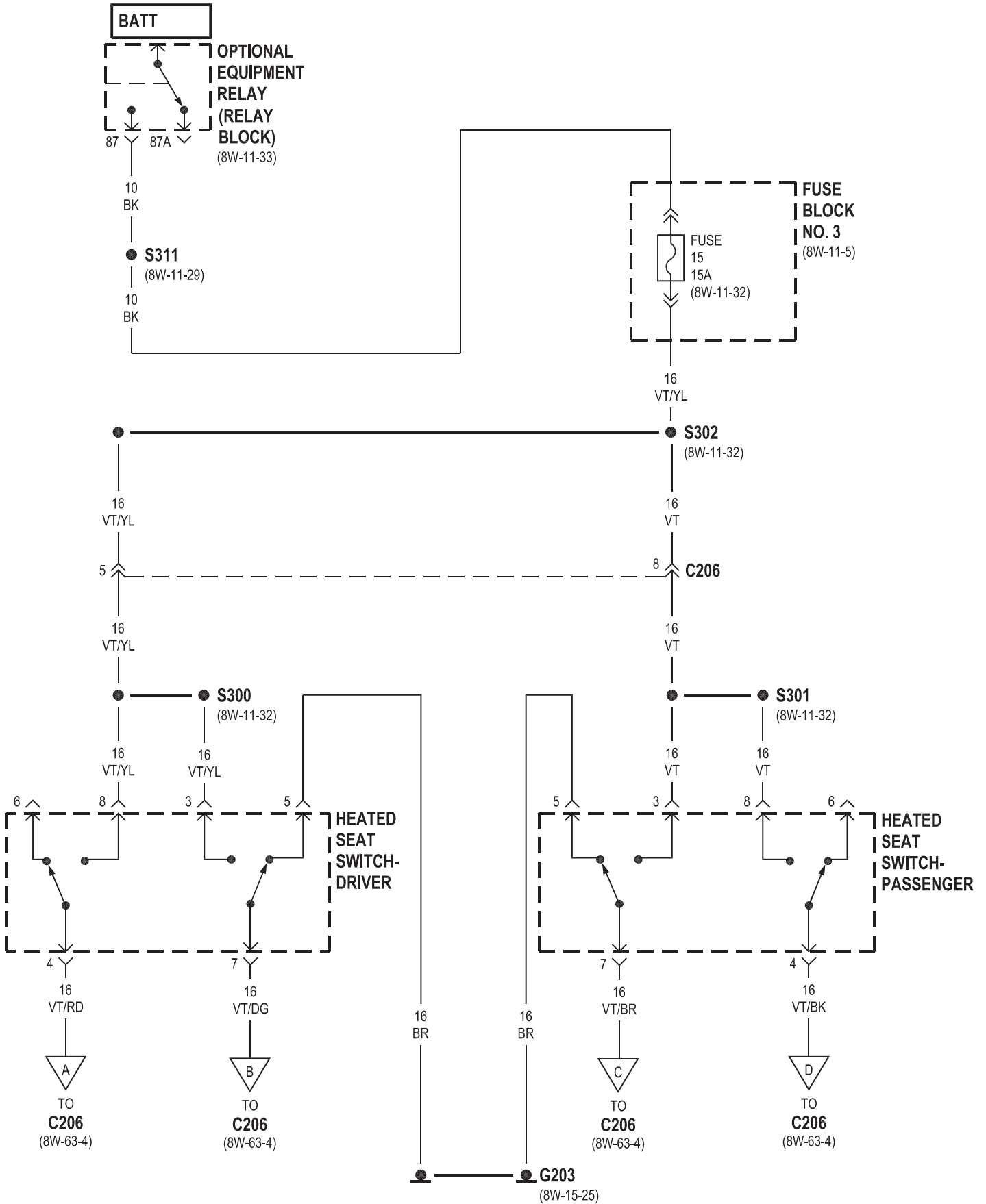


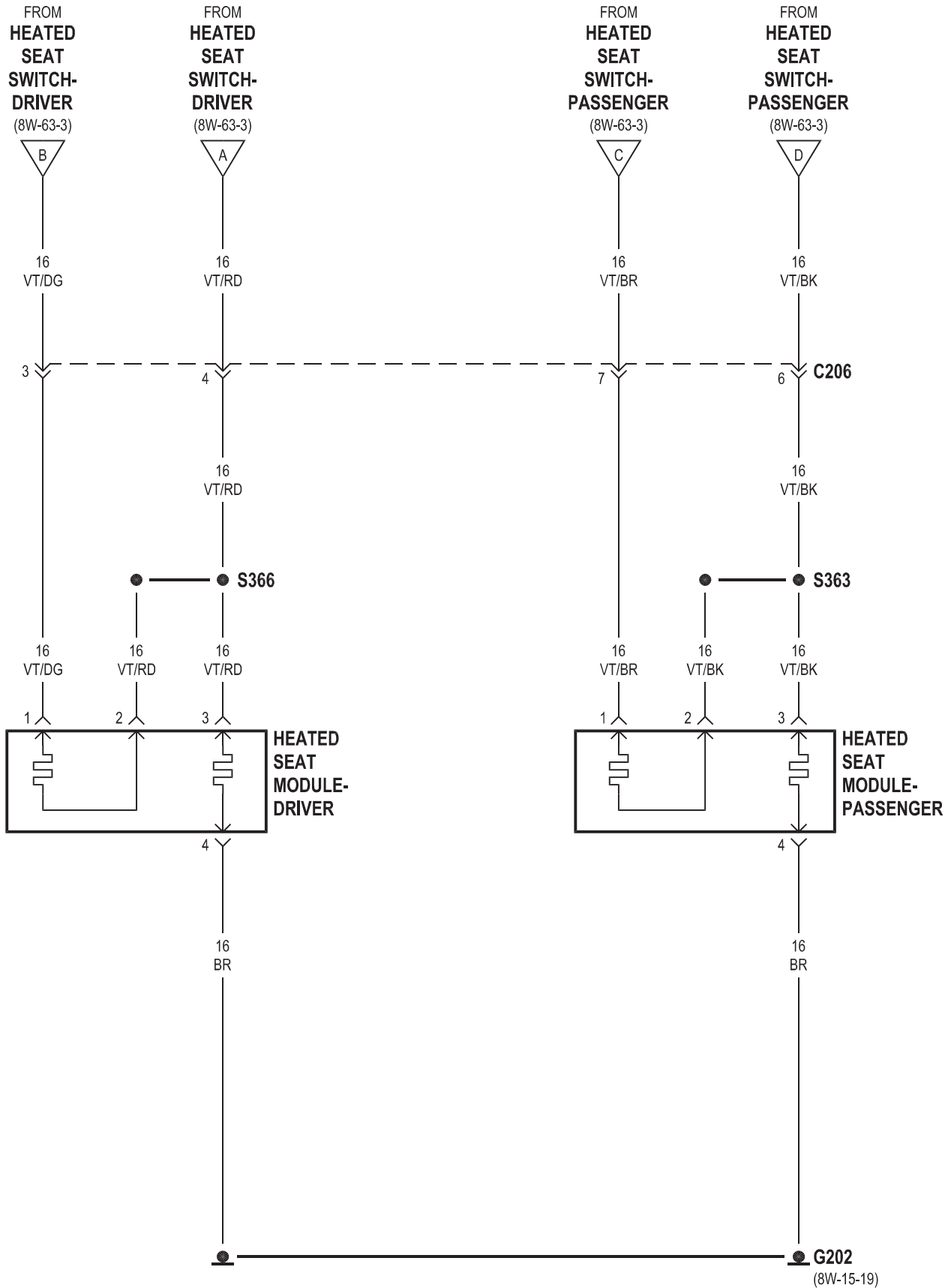


8W-63 POWER SEATS

Component	Page	Component	Page
Daytime Running Lamps Relay	8W-63-2	Heated Seat Module-Driver	8W-63-4
Fuse 15	8W-63-3	Heated Seat Module-Passenger	8W-63-4
Fuse Block No. 3	8W-63-3	Heated Seat Switch-Driver	8W-63-2, 3, 4
G202	8W-63-4	Heated Seat Switch-Passenger	8W-63-2, 3, 4
G203	8W-63-2, 3	Optional Equipment Relay	8W-63-3

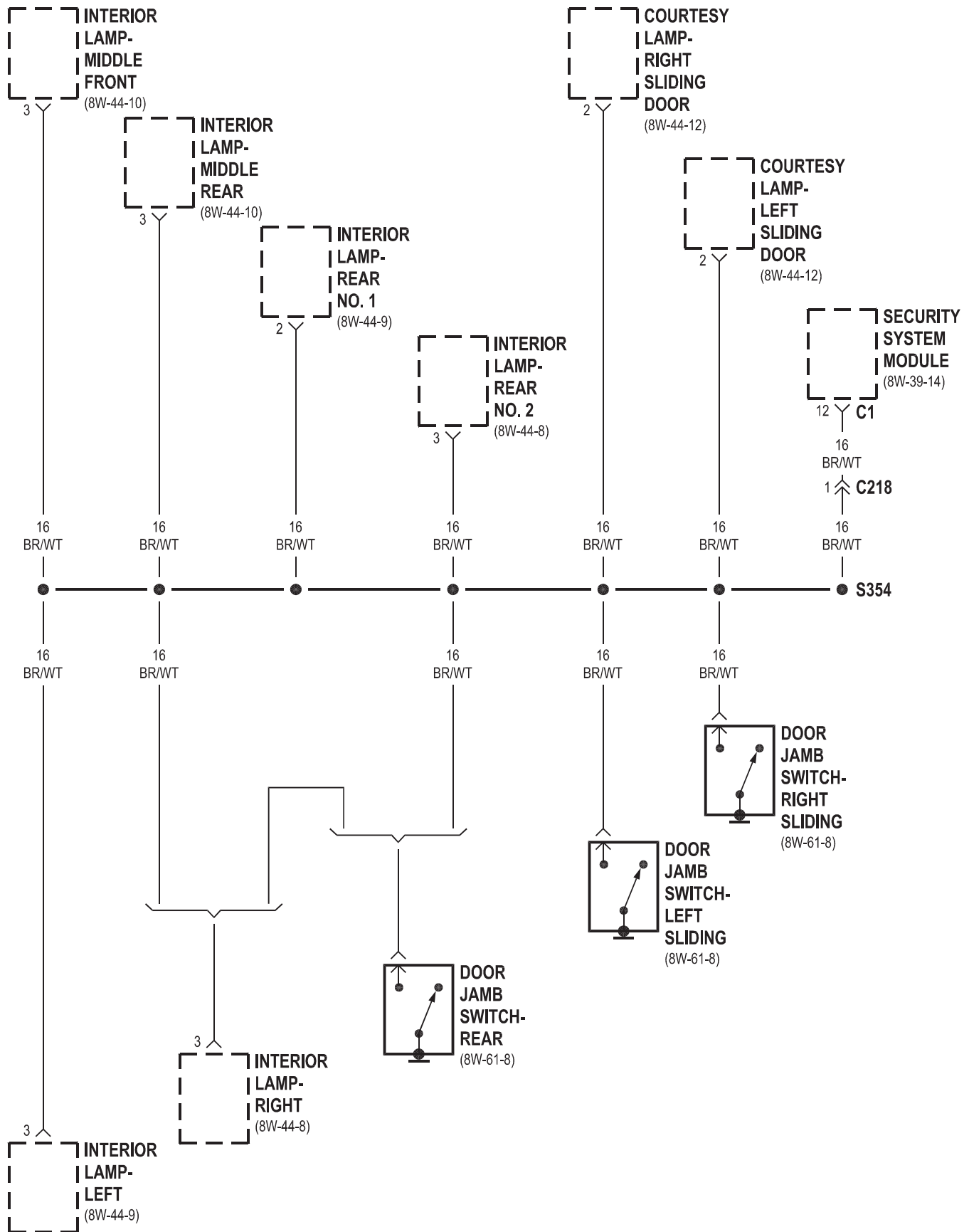






8W-70 SPLICE INFORMATION

Component	Page	Component	Page
S100	8W-10-8	S262	8W-10-29
S101	8W-10-11	S300	8W-11-32
S102	8W-11-28	S301	8W-11-32
S103	8W-10-11	S302	8W-11-32
S104	8W-10-28	S303	8W-15-23
S105	8W-50-9	S304	8W-15-23
S106	8W-30-24	S305	8W-11-35
S107	8W-30-2	S306	8W-11-33
S108	8W-30-18	S307	8W-11-33
S175	8W-10-29	S308	8W-15-5
S176	8W-30-16	S309	8W-15-6
S177	8W-30-15	S310	8W-11-16
S178	8W-30-17	S311	8W-11-29
S200	8W-10-19	S312	8W-35-6
S201	8W-42-17	S313	8W-35-6
S202	8W-11-35	S314	8W-35-6
S203	8W-10-25	S315	8W-35-6
S204	8W-10-20	S316	8W-11-25
S205	8W-10-27	S317	8W-50-11
S206	8W-10-22	S318	8W-51-3
S208	8W-44-5	S319	8W-35-3
S209	8W-42-5	S320	8W-31-9
S210	8W-10-16	S321	8W-11-31
S211	8W-15-24	S322	8W-40-5
S212	8W-11-37	S323	8W-40-5
S213	8W-39-2	S324	8W-44-6
S214	8W-11-37	S325	8W-11-22
S215	8W-18-6	S326	8W-40-6
S216	8W-11-17	S327	8W-42-8
S217	8W-10-29	S328	8W-45-6
S218	8W-42-4	S329	8W-45-6
S219	8W-10-15	S330	8W-48-4
S220	8W-30-9	S331	8W-48-4
S221	8W-18-4	S332	8W-15-28
S222	8W-18-4	S333	8W-10-17
S223	8W-10-30	S334	8W-42-24
S224	8W-18-6	S350	8W-10-10
S225	8W-10-18	S351	8W-52-4
S226	8W-11-23	S352	8W-52-6
S227	8W-11-23	S353	8W-10-24
S228	8W-40-8	S354	8W-70-2
S229	8W-18-3	S355	8W-11-19
S230	8W-40-8	S356	8W-10-26
S231	8W-18-6	S357	8W-61-4
S232	8W-18-6	S358	8W-11-24
S234	8W-42-23	S359	8W-44-4
S250	8W-10-23	S360	8W-11-22
S251	8W-35-3	S361	8W-11-22
S252	8W-10-23	S362	8W-11-34
S253	8W-11-27	S363	8W-63-4
S254	8W-44-6	S364	8W-11-30
S255	8W-10-16	S365	8W-11-31
S256	8W-11-16	S366	8W-63-4
S257	8W-18-5	S375	8W-61-4
S258	8W-31-7	S376	8W-15-31
S259	8W-18-6	S377	8W-15-31
S260	8W-18-6		
S261	8W-11-18		



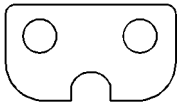
8W-80 CONNECTOR PIN-OUTS

Component	Page	Component	Page
A/C Auxiliary Fan	8W-80-4	C203	8W-80-17
A/C Roof Auxiliary Fan	8W-80-4	C204	8W-80-18
Accelerator Pedal Position Sensor (Except OBD)	8W-80-4	C204	8W-80-18
Accelerator Pedal Position Sensor (OBD) . .	8W-80-4	C205	8W-80-18
Additional Heat Exchanger	8W-80-5	C205	8W-80-19
Additional Heat Exchanger Switch	8W-80-5	C206	8W-80-19
Air Outlet Temperature Sensor	8W-80-5	C206	8W-80-19
Airbag Control Module	8W-80-6	C207	8W-80-20
Airbag Squib-Driver	8W-80-6	C207	8W-80-20
Airbag Squib-Passenger	8W-80-6	C208	8W-80-20
Ambient Temperature Sensor	8W-80-7	C208	8W-80-20
Ash Receiver Lamp	8W-80-7	C209	8W-80-20
Automatic Temperature Control Module C1	8W-80-7	C209	8W-80-21
Automatic Temperature Control Module C2	8W-80-8	C210	8W-80-21
Auxiliary Heater Control	8W-80-8	C210	8W-80-21
Blower Motor Resistor Block	8W-80-8	C211	8W-80-21
Blower Motor Resistor Block C1	8W-80-8	C211	8W-80-22
Blower Motor Resistor Block C2	8W-80-9	C214	8W-80-22
Blower Motor Resistor Block C3	8W-80-9	C214	8W-80-22
Blower Motor-Front	8W-80-9	C215	8W-80-22
Body Plug Connector	8W-80-9	C215	8W-80-23
Boost Pressure Sensor (Except OBD)	8W-80-9	C216	8W-80-23
Boost Pressure Sensor (OBD)	8W-80-10	C216	8W-80-23
Boost Pressure ServoMotor (OBD)	8W-80-10	C217	8W-80-23
Boost Pressure Solenoid	8W-80-10	C217	8W-80-23
Brake Fluid Level Switch	8W-80-10	C218	8W-80-24
Brake Lamp Switch 4 Pole (ESP)	8W-80-11	C218	8W-80-24
Brake Lamp Switch C1 (Except ESP)	8W-80-11	C219	8W-80-24
Brake Lamp Switch C2 (Except ESP)	8W-80-11	C219	8W-80-24
Brake Pressure Sensor	8W-80-11	C220	8W-80-25
Brake Wear Sensor-Left Front	8W-80-12	C220	8W-80-25
Brake Wear Sensor-Left Rear	8W-80-12	C221	8W-80-25
Brake Wear Sensor-Right Front	8W-80-12	C221	8W-80-25
Brake Wear Sensor-Right Rear	8W-80-12	C224	8W-80-25
C100	8W-80-12	C224	8W-80-26
C100	8W-80-13	C225	8W-80-26
C101	8W-80-13	C225	8W-80-26
C101	8W-80-13	C226	8W-80-26
C102 (Except OBD)	8W-80-13	C300	8W-80-26
C102 (Except OBD)	8W-80-14	C300	8W-80-27
C103 (OBD)	8W-80-14	C301	8W-80-27
C103 (OBD)	8W-80-14	C301	8W-80-27
C200	8W-80-14	C306	8W-80-27
C200	8W-80-15	C306	8W-80-28
C201	8W-80-15	C306	8W-80-28
C201	8W-80-16	C307	8W-80-28
C202	8W-80-16	C307	8W-80-28
C202	8W-80-17	Cabin Heater Assembly	8W-80-28
C203	8W-80-17	Cabin Heater Module (CHM)	8W-80-28
		Camshaft Position Sensor	8W-80-29
		Center High Mounted Stop Lamp	8W-80-29
		Central Timer Module C1	8W-80-29
		Central Timer Module C2	8W-80-30

Component	Page	Component	Page
Cigar Lighter	8W-80-30	Engine Control Module C5 (Except OBD)	8W-80-44
Cigar Lighter Lamp	8W-80-30	Engine Coolant Level Switch	8W-80-44
Circulation Pump (Cabin Heater Module)	8W-80-31	Engine Coolant Temperature Sensor	8W-80-44
Circulation Pump (Rest System)	8W-80-31	Engine Oil Sensor	8W-80-44
Circulation Pump Diode	8W-80-31	Evaporator Temperature Sensor	8W-80-45
Clockspring C1	8W-80-31	Fog Lamp Switch	8W-80-45
Clockspring C2	8W-80-31	Fuel Injector No. 1	8W-80-45
Controller Antilock Brake	8W-80-32	Fuel Injector No. 2	8W-80-45
Courtesy Lamp-Driver Door	8W-80-33	Fuel Injector No. 3	8W-80-46
Courtesy Lamp-Left Sliding Door	8W-80-33	Fuel Injector No. 4	8W-80-46
Courtesy Lamp-Passenger Door	8W-80-33	Fuel Injector No. 5	8W-80-46
Courtesy Lamp-Right Sliding Door	8W-80-33	Fuel Level Sensor	8W-80-46
Crankcase Heater	8W-80-34	Fuel Pressure Sensor	8W-80-47
Crankshaft Position Sensor	8W-80-34	Fuel Pressure Solenoid	8W-80-47
CTEL Antenna Connector	8W-80-34	Fuel Pump (OBD)	8W-80-47
CTEL Connector	8W-80-34	Fuel Pump Relay (OBD)	8W-80-47
Cylinder Lock Switch-Driver	8W-80-35	Fuel Quantity Control Valve (OBD)	8W-80-47
Data Link Connector	8W-80-35	Fuel Shutdown Solenoid	8W-80-48
Differential Lock Solenoid Valve	8W-80-35	Fuel Temperature Sensor	8W-80-48
Dome Lamp	8W-80-35	Fuse Block No. 1 C1	8W-80-48
Door Lock Motor/Ajar Switch Assembly-Driver C1	8W-80-36	Fuse Block No. 1 C2	8W-80-49
Door Lock Motor/Ajar Switch Assembly-Driver C2	8W-80-36	Fuse Block No. 1 C3	8W-80-49
Door Lock Motor/Ajar Switch Assembly-Left Sliding C1	8W-80-36	Fuse Block No. 1 C4	8W-80-49
Door Lock Motor/Ajar Switch Assembly-Left Sliding C2	8W-80-36	Fuse Block No. 1 C5	8W-80-49
Door Lock Motor/Ajar Switch Assembly-Passenger C1	8W-80-36	Glow Plug Control Module C1	8W-80-50
Door Lock Motor/Ajar Switch Assembly-Passenger C2	8W-80-37	Glow Plug Control Module C2	8W-80-50
Door Lock Motor/Ajar Switch Assembly-Rear C1	8W-80-37	Headlamp Adjust Switch	8W-80-50
Door Lock Motor/Ajar Switch Assembly-Rear C2	8W-80-37	Headlamp Assembly-Left	8W-80-51
Door Lock Motor/Ajar Switch Assembly-Right Sliding C1	8W-80-37	Headlamp Assembly-Right	8W-80-51
Door Lock Motor/Ajar Switch Assembly-Right Sliding C2	8W-80-37	Heated Seat Module-Driver	8W-80-51
Dosing Pump	8W-80-38	Heated Seat Module-Passenger	8W-80-52
EGR Valve	8W-80-38	Heated Seat Switch-Driver	8W-80-52
Electrohydraulic Control Unit	8W-80-38	Heated Seat Switch-Passenger	8W-80-52
Engine Control Module C1 (Except OBD)	8W-80-38	Heater Timer-auxiliary	8W-80-53
Engine Control Module C1 (OBD)	8W-80-39	High Idle Switch	8W-80-53
Engine Control Module C2 (Except OBD)	8W-80-40	Hood Ajar Switch	8W-80-53
Engine Control Module C2 (OBD)	8W-80-41	Horn	8W-80-54
Engine Control Module C3 (Except OBD)	8W-80-42	Horn (VTSS)	8W-80-54
Engine Control Module C4 (Except OBD)	8W-80-43	Ignition Lock Switch	8W-80-54
		Instrument Cluster C1	8W-80-54
		Instrument Cluster C2	8W-80-55
		Instrument Panel Socket	8W-80-55
		Intake Air Pressure Sensor (OBD)	8W-80-55
		Intake Air Temperature Sensor	8W-80-56
		Interior Lamp No. 1	8W-80-56
		Interior Lamp No. 2	8W-80-56
		Interior Lamp No. 3	8W-80-56
		Interior Lamp No. 4	8W-80-56
		Interior Lamp No. 5	8W-80-57
		Interior Lamp-Left	8W-80-57
		Interior Lamp-middle Front	8W-80-57
		Interior Lamp-middle Rear	8W-80-57
		Interior Lamp-Rear No. 1	8W-80-58
		Interior Lamp-Rear No. 2	8W-80-58

Component	Page
Interior Lamp-Right	8W-80-58
Interior Light Switch	8W-80-59
Interior Light Switch-Driver	8W-80-59
Interior Light Switch-Passenger	8W-80-59
Interior Light Switch-Rear	8W-80-60
Interior Lighting Connector	8W-80-60
Intrusion Sensor No. 1	8W-80-60
Intrusion Sensor No. 2	8W-80-60
Intrusion Sensor No. 3	8W-80-61
Kick Down Switch	8W-80-61
Lateral Acceleration Sensor	8W-80-61
License Plate Lamp No. 1	8W-80-61
License Plate Lamp No. 2	8W-80-61
Locker Switch No. 1	8W-80-62
Locker Switch No. 2	8W-80-62
Low Fuel Pressure Sensor	8W-80-62
Map/Reading Lamp Switch	8W-80-62
Marker Lamp Connector	8W-80-63
Marker Lamp No. 1-Left Front	8W-80-63
Marker Lamp No. 1-Right Front	8W-80-63
Marker Lamp No. 2-Left Front	8W-80-63
Marker Lamp No. 2-Right Front	8W-80-64
Marker Lamp-Left Center	8W-80-64
Marker Lamp-Left Rear	8W-80-64
Marker Lamp-Right Center	8W-80-64
Marker Lamp-Right Rear	8W-80-64
Mass Air Flow Sensor	8W-80-65
Master Door Lock Switch	8W-80-65
Metering Pump	8W-80-65
Microphone Connector	8W-80-65
Oxygen Sensor (OBD)	8W-80-66
Panic Alarm Switch	8W-80-66
Parking Brake Switch	8W-80-66
Power Mirror Motor-Driver	8W-80-67
Power Mirror Motor-Passenger	8W-80-67
Power Mirror Switch	8W-80-67
Power Window Motor-Driver	8W-80-67
Power Window Motor-Passenger	8W-80-68
Power Window Switch-Driver	8W-80-68
Power Window Switch-master	8W-80-68
Power Window Switch-Passenger	8W-80-68
Radio Antenna	8W-80-69
Radio C1	8W-80-69
Radio C2	8W-80-69
Radio/Cellular Antenna	8W-80-69
Rain Sensor	8W-80-70
Rain Sensor Control Module	8W-80-70
Reading Lamp Connector	8W-80-71
Recirculated Air Solenoid Valve	8W-80-71
Refrigerant Pressure Sensor	8W-80-71
Remote Keyless Entry Antenna	8W-80-71
Rollover Switch Assembly	8W-80-71
Roof A/C Control Module	8W-80-72
Roof A/C Switch	8W-80-72

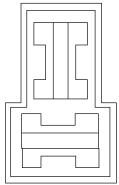
Component	Page
Roof A/C Temperature Setting Control . . .	8W-80-72
Roof Fan Motor	8W-80-73
Roof Fan Switch	8W-80-73
Roof Thermotronic Control Module	8W-80-73
Seat Belt Switch	8W-80-74
Seat Belt Tensioner-Driver	8W-80-74
Seat Belt Tensioner-Passenger	8W-80-74
Security System Module C1	8W-80-75
Security System Module C2	8W-80-75
Sentry Key Remote Entry Module (SKREEM)	8W-80-76
Shifter Assembly	8W-80-76
Siren	8W-80-76
SKREEM Transponder	8W-80-77
Speaker-Left Front Door Assembly C1 . . .	8W-80-77
Speaker-Left Front Door Assembly C2 . . .	8W-80-77
Speaker-Left Rear	8W-80-77
Speaker-Right Front Door	8W-80-77
Speaker-Right Rear	8W-80-78
Speed Control Switch	8W-80-78
Steering Angle Sensor	8W-80-78
Tail Lamp Assembly-Left	8W-80-78
Tail Lamp Assembly-Right	8W-80-79
TCS Switch (ASR)	8W-80-79
Towing/intrusion Sensor On/Off Switch . .	8W-80-79
Trailer Tow Connector	8W-80-80
Trailer Tow Control Module C1 (Except Retrofit)	8W-80-80
Trailer Tow Control Module C1 (retrofit) .	8W-80-80
Trailer Tow Control Module C2 (Except Retrofit)	8W-80-81
Transmission Control Module C1	8W-80-81
Transmission Control Module C2	8W-80-81
Turn Signal No. 1-Left Front	8W-80-82
Turn Signal No. 1-Right Front	8W-80-82
Turn Signal No. 2-Left Front	8W-80-82
Turn Signal No. 2-Right Front	8W-80-82
Warm Air Auxiliary Heater Assembly C1	8W-80-83
Warm Air Auxiliary Heater Assembly C2	8W-80-83
Washer Pump Motor-Front	8W-80-83
Water Cycle Valve	8W-80-83
Water In Fuel Sensor	8W-80-84
Wheel Speed Sensor-Left Front	8W-80-84
Wheel Speed Sensor-Left Rear	8W-80-84
Wheel Speed Sensor-Right Front	8W-80-84
Wheel Speed Sensor-Right Rear	8W-80-84
Window Defogger Module-Rear	8W-80-85
Window Defogger Switch-Rear	8W-80-85
Window Defogger-Left Rear	8W-80-86
Window Defogger-Right Rear	8W-80-86
Wiper Motor-Front	8W-80-86



A/C AUXILIARY FAN

A/C AUXILIARY FAN

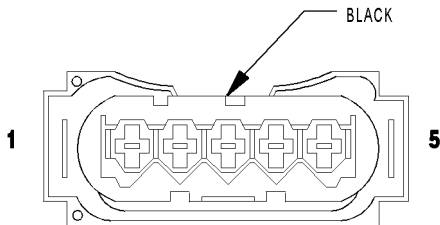
CAV	CIRCUIT	FUNCTION
1	14DG/BK	A/C AUXILIARY FAN RELAY OUTPUT
2	14BR	GROUND



A/C ROOF AUXILIARY FAN

A/C ROOF AUXILIARY FAN

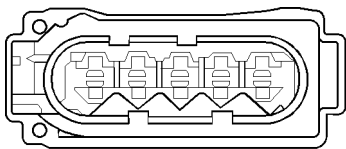
CAV	CIRCUIT	FUNCTION
1	14BL	FUSED A/C ROOF AUXILIARY FAN RELAY OUTPUT
2	14BR	GROUND



ACCELERATOR PEDAL POSITION SENSOR (EXCEPT OBD)

ACCELERATOR PEDAL POSITION SENSOR (EXCEPT OBD) - BLACK

CAV	CIRCUIT	FUNCTION
1	18BL/RD	ACCEL PEDAL POSITION SENSOR 5 VOLT SUPPLY
2	18BR/BL	ACCEL PEDAL POSITION SENSOR GROUND NO. 1
3	18BL/DG	ACCEL PEDAL POSITION SENSOR SIGNAL NO. 1
4	18BR/GY	ACCEL PEDAL POSITION SENSOR GROUND NO. 2
5	18GY/DG	ACCEL PEDAL POSITION SENSOR SIGNAL NO. 2



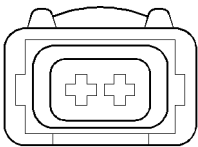
ACCELERATOR PEDAL POSITION SWITCH (OBD)

ACCELERATOR PEDAL POSITION SENSOR (OBD)

CAV	CIRCUIT	FUNCTION
1	18BL/DG	ACCEL PEDAL POSITION SENSOR SIGNAL NO. 1
2	18BR/GY	ACCEL PEDAL POSITION SENSOR GROUND NO. 2
3	18GY/DG	ACCEL PEDAL POSITION SENSOR SIGNAL NO. 2
4	18BL/RD	ACCEL PEDAL POSITION SENSOR 5 VOLT SUPPLY
5	18BR/BL	ACCEL PEDAL POSITION SENSOR GROUND NO. 1

**CONNECTOR
NOT
AVAILABLE**

**CONNECTOR
NOT
AVAILABLE**



**AIR OUTLET
TEMPERATURE
SENSOR**

ADDITIONAL HEAT EXCHANGER

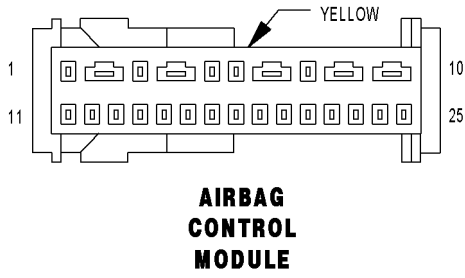
CAV	CIRCUIT	FUNCTION
A	12BR	GROUND
B	12RD/BL	AUXILIARY HEATER RELAY OUTPUT
C	16VT/BL	ADDITIONAL HEAT EXCHANGER CAV C TO HEAT EXCHANGER SWITCH CAV 7
D	16VT/YL	ADDITIONAL HEAT EXCHANGER CAV D TO HEAT EXCHANGER SWITCH CAV 4

ADDITIONAL HEAT EXCHANGER SWITCH

CAV	CIRCUIT	FUNCTION
1	16GY/DG/RD	LAMP DRIVER
3	16BK/BL/DG	FUSED IGNITION SWITCH OUTPUT
4	16VT/YL	ADDITIONAL HEAT EXCHANGER SWITCH CAV 4 TO ADDITIONAL HEAT EXCHANGER CAV D
5	16BR	GROUND
7	16VT/BL	ADDITIONAL HEAT EXCHANGER SWITCH CAV 7 TO ADDITIONAL HEAT EXCHANGER CAV C
8	16BK/BL/DG	FUSED IGNITION SWITCH OUTPUT
10	16BR	GROUND

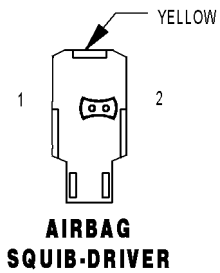
AIR OUTLET TEMPERATURE SENSOR

CAV	CIRCUIT	FUNCTION
1	18BR/GY	AIR OUTLET TEMPERATURE SENSOR SIGNAL
2	18BR/BL	SENSOR GROUND



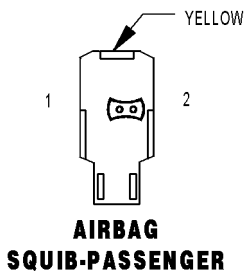
AIRBAG CONTROL MODULE - YELLOW

CAV	CIRCUIT	FUNCTION
1	20BL	DRIVER SEAT BELT TENSIONER LINE 2
2	20BR/YL	DRIVER SEAT BELT TENSIONER LINE 1
3	20BL	PASSENGER SEAT BELT TENSIONER LINE 2
4	20BR	PASSENGER SEAT BELT TENSIONER LINE 1
5	20BK	FUSED IGNITION SWITCH OUTPUT (RUN-START)
6	20BR	GROUND
7	20YL	AIRBAG WARNING INDICATOR DRIVER
8	-	-
9	20BK/RD	K-ACM
10	20DG	DRIVER AIRBAG SQUIB 1 LINE 2
11	20VT	DRIVER AIRBAG SQUIB 1 LINE 1
12	-	-
13	20BL/DG	PASSENGER AIRBAG SQUIB 1 LINE 2
14	20BR/DG	PASSENGER AIRBAG SQUIB 1 LINE 1
15	-	-
16	-	-
17	-	-
18	-	-
19	-	-
20	20DG	ENHANCED ACCIDENT REPORT DRIVER
21	-	-
22	-	-
23	-	-
24	-	-
25	-	-



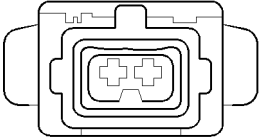
AIRBAG SQUIB-DRIVER - YELLOW

CAV	CIRCUIT	FUNCTION
1	20DG	DRIVER AIRBAG SQUIB 1 LINE 2
2	20VT	DRIVER AIRBAG SQUIB 1 LINE 1



AIRBAG SQUIB-PASSENGER - YELLOW

CAV	CIRCUIT	FUNCTION
1	20BL/DG	PASSENGER AIRBAG SQUIB 1 LINE 2
2	20BR/DG	PASSENGER AIRBAG SQUIB 1 LINE 1



**AMBIENT
TEMPERATURE
SENSOR**

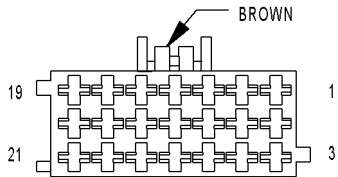
AMBIENT TEMPERATURE SENSOR

CAV	CIRCUIT	FUNCTION
1	20BL/DG	AMBIENT TEMPERATURE SENSOR SIGNAL (+)
2	20BR/DG	AMBIENT TEMPERATURE SENSOR SIGNAL RETURN

**CONNECTOR
NOT
AVAILABLE**

ASH RECEIVER LAMP

CAV	CIRCUIT	FUNCTION
1	18GY/DG/RD	LAMP DRIVER
3	18BR	GROUND



**AUTOMATIC
TEMPERATURE
CONTROL
MODULE C1**

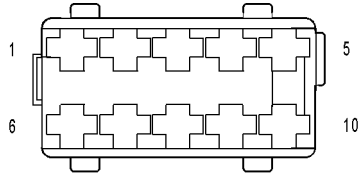
AUTOMATIC TEMPERATURE CONTROL MODULE C1 - BROWN

CAV	CIRCUIT	FUNCTION
1	16RD/BL	FUSED B(+)
2	18DG/RD (REST SYSTEM)	CIRCULATION PUMP CONTROL
3	18BK/RD	A/C AUXILIARY FAN RELAY HIGH SIDE CONTROL
4	16BL/YL	HEATER BOOSTER MODE
5	18BR/VT	WATER CYCLE VALVE CONTROL
6	20RD/BL	5 VOLT SUPPLY
7	18BK/YL	K-IC/ATC/HBM/CHM
8	20BL/VT	D(+) RELAY CONTROL
8	16RD/YL/WT	FUSED D(+) RELAY OUTPUT
9	16GY/DG/RD	LAMP DRIVER
10	16BL	CABIN HEATER CONTROL
11	16BK/BL/WT	RECIRCULATED AIR SOLENOID VALVE CONTROL
12	16BL/DG	A/C COMPRESSOR CLUTCH CONTROL
13	18BR/DG	EVAPORATOR TEMPERATURE SENSOR SIGNAL
14	-	-
15	16BR	GROUND
16	18BR/GY	AIR OUTLET TEMPERATURE SENSOR SIGNAL
17	20DG/WT	CAN C BUS (+)
18	18BR/BL	SENSOR GROUND
19	20BR/RD	REFRIGERANT PRESSURE SENSOR FEEDBACK
20	20DG	CAN C BUS (-)
21	16BK/BL/DG	FUSED IGNITION SWITCH OUTPUT

**CONNECTOR
NOT
AVAILABLE**

AUTOMATIC TEMPERATURE CONTROL MODULE C2

CAV	CIRCUIT	FUNCTION
1	14BK/VT	FAN STAGE 1 RELAY OUTPUT
1	12YL	BLOWER MOTOR LOW DRIVER
2	12WT	BLOWER MOTOR HIGH DRIVER
3	12WT/BK	BLOWER MOTOR M1 DRIVER
4	12YL/BK	BLOWER MOTOR M2 DRIVER
5	12RD/BL	FUSED B(+)



**AUXILIARY
HEATER
CONTROL**

AUXILIARY HEATER CONTROL

CAV	CIRCUIT	FUNCTION
1	16GY/DG/RD	LAMP DRIVER
2	-	-
3	16RD/YL	FUSED B(+)
4	-	-
5	-	-
6	-	-
7	16YL	CABIN HEATER CONTROL
8	-	-
9	-	-
10	16BR	GROUND

**CONNECTOR
NOT
AVAILABLE**

BLOWER MOTOR RESISTOR BLOCK

CAV	CIRCUIT	FUNCTION
1	12YL/BK	BLOWER MOTOR M2 DRIVER
2	12YL	BLOWER MOTOR LOW DRIVER
3	12WT/BK	BLOWER MOTOR M1 DRIVER
4	12DG	BLOWER MOTOR HIGH DRIVER

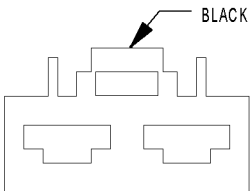
**CONNECTOR
NOT
AVAILABLE**

BLOWER MOTOR RESISTOR BLOCK C1

CAV	CIRCUIT	FUNCTION
1	12RD/BL	FUSED B(+)
2	12WT	BLOWER MOTOR (+)

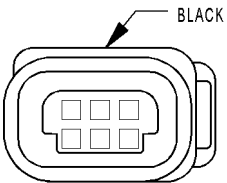
CONNECTOR NOT AVAILABLE

CONNECTOR NOT AVAILABLE



BLOWER MOTOR-FRONT

CONNECTOR NOT AVAILABLE



BOOST PRESSURE SENSOR (EXCEPT OBD)

BLOWER MOTOR RESISTOR BLOCK C2

CAV	CIRCUIT	FUNCTION
1	12YL/BK	BLOWER MOTOR (+) SELECT 3
2	12YL	BLOWER MOTOR (+) SELECT 1
3	12WT/BK	BLOWER MOTOR (+) SELECT 2

BLOWER MOTOR RESISTOR BLOCK C3

CAV	CIRCUIT	FUNCTION
1	12RD	FUSED B(+)
2	12RD/BL	BLOWER MOTOR (+)

BLOWER MOTOR-FRONT - BLACK

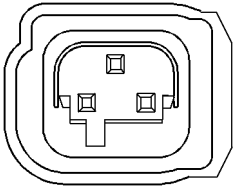
CAV	CIRCUIT	FUNCTION
1	12RD/BL	BLOWER MOTOR (+)
2	12BK	GROUND

BODY PLUG CONNECTOR

CAV	CIRCUIT	FUNCTION
1	14BL/YL	D(+) RELAY NO. 2 OUTPUT
2	14RD	FUSED B(+)
3	14BK/YL	FUSED IGNITION SWITCH RUN-START RELAY OUTPUT

BOOST PRESSURE SENSOR (EXCEPT OBD) - BLACK

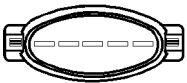
CAV	CIRCUIT	FUNCTION
1	18BR/WT	BOOST PRESSURE SENSOR GROUND
2	18WT/DG	BOOST PRESSURE SENSOR SIGNAL
3	18WT/RD	BOOST PRESSURE SENSOR 5 VOLT SUPPLY
4	-	-
5	-	-
6	-	-



**BOOST
PRESSURE
SENSOR
(OBD)**

BOOST PRESSURE SENSOR (OBD)

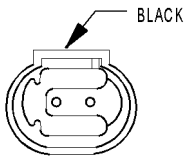
CAV	CIRCUIT	FUNCTION
1	18BR/WT	SENSOR GROUND
2	18WT/DG	BOOST PRESSURE SENSOR SIGNAL
3	18WT/RD	BOOST PRESSURE SENSOR 5 VOLT SUPPLY



**BOOST
PRESSURE
SERVOMOTOR
(OBD)**

BOOST PRESSURE SERVOMOTOR (OBD)

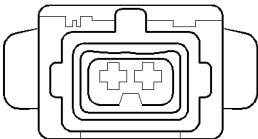
CAV	CIRCUIT	FUNCTION
1	16YL/BK	FUSED ENGINE CONTROL RELAY OUTPUT
2	16YL/WT	GROUND
3	-	-
4	16YL/DG	BOOST PRESSURE SERVOMOTOR CONTROL
5	-	-



**BOOST PRESSURE
SOLENOID**

BOOST PRESSURE SOLENOID - BLACK

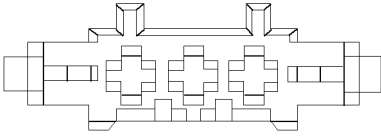
CAV	CIRCUIT	FUNCTION
1	20WT	BOOST PRESSURE SOLENOID CONTROL
2	20BR	BOOST PRESSURE SOLENOID 12 VOLT SUPPLY



**BRAKE
FLUID
LEVEL
SWITCH**

BRAKE FLUID LEVEL SWITCH

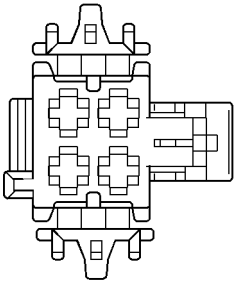
CAV	CIRCUIT	FUNCTION
1	20BR/YL	BRAKE FLUID LEVEL INDICATOR SIGNAL
2	16BR	GROUND



**BRAKE
LAMP
SWITCH 4
POLE
(ESP)**

BRAKE LAMP SWITCH 4 POLE (ESP)

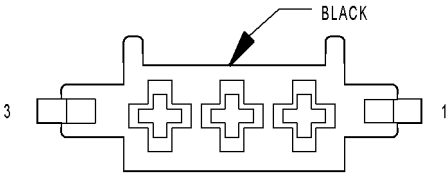
CAV	CIRCUIT	FUNCTION
1	16RD/BK	FUSED IGNITION SWITCH OUTPUT (RUN-START)
2	20WT	BRAKE SWITCH OUTPUT
3	16BK/BL/WT	FUSED IGNITION SWITCH OUTPUT (RUN-START)
4	16BK/RD	BRAKE LAMP SWITCH OUTPUT



**BRAKE
LAMP
SWITCH C1
(EXCEPT ESP)**

BRAKE LAMP SWITCH C1 (EXCEPT ESP)

CAV	CIRCUIT	FUNCTION
1	20WT	BRAKE SWITCH OUTPUT
2	16RD/BK	FUSED IGNITION SWITCH OUTPUT (RUN-START)
3	20BK/BL/RD	BRAKE LAMP SWITCH
4	-	-



**BRAKE
LAMP
SWITCH
C2
(EXCEPT ESP)**

BRAKE LAMP SWITCH C2 (EXCEPT ESP) - BLACK

CAV	CIRCUIT	FUNCTION
1	16BK/BL/WT	FUSED IGNITION SWITCH OUTPUT (RUN-START)
2	16BK/RD	BRAKE LAMP SWITCH OUTPUT
3	-	-

**CONNECTOR
NOT
AVAILABLE**

BRAKE PRESSURE SENSOR

CAV	CIRCUIT	FUNCTION
1	20BR	SENSOR GROUND
2	20WT/GY	BRAKE PRESSURE SENSOR SIGNAL
3	20WT/RD	5 VOLT SUPPLY

**CONNECTOR
NOT
AVAILABLE**

BRAKE WEAR SENSOR-LEFT FRONT

CAV	CIRCUIT	FUNCTION
1	16BR	GROUND
2	16BR/WT	BRAKE WEAR SENSOR SIGNAL

**CONNECTOR
NOT
AVAILABLE**

BRAKE WEAR SENSOR-LEFT REAR

CAV	CIRCUIT	FUNCTION
1	16BR	GROUND
2	16BR/WT	BRAKE WEAR SENSOR SIGNAL

**CONNECTOR
NOT
AVAILABLE**

BRAKE WEAR SENSOR-RIGHT FRONT

CAV	CIRCUIT	FUNCTION
1	16BR	GROUND
2	16BR/WT	BRAKE WEAR SENSOR SIGNAL

**CONNECTOR
NOT
AVAILABLE**

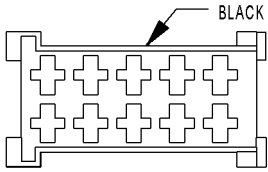
BRAKE WEAR SENSOR-RIGHT REAR

CAV	CIRCUIT	FUNCTION
1	16BR	GROUND
2	16BR/WT	BRAKE WEAR SENSOR SIGNAL

**CONNECTOR
NOT
AVAILABLE**

C100 - (MAIN BODY SIDE)

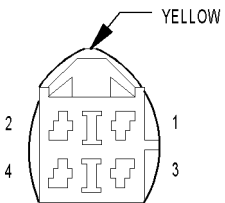
CAV	CIRCUIT
1	18BK/BL
2	18RD/DG
3	16WT/BL/RD
4	-
5	16RD
6	16BK
7	16BK/BL
8	14BK/VT
9	-
10	-



C100

C100 - BLACK (MAIN BODY)

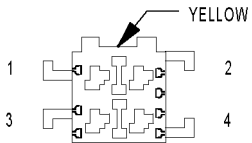
CAV	CIRCUIT
1	18BK/BL
2	18RD/DG
3	16WT/BL/RD
4	-
5	16RD
6	16BK
7	16BK/BL
8	14BK/VT
9	-
10	-



C101

C101 - YELLOW (ENGINE SIDE)

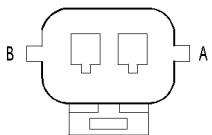
CAV	CIRCUIT
1	16WT/BL
2	14BK/YL
3	16BL/DG
4	16BK/RD



C101

C101 - YELLOW (MAIN BODY SIDE)

CAV	CIRCUIT
1	20BL
2	12BK/YL
3	16BL/DG
4	16BK/RD



**C102
(EXCEPT OBD)**

C102 (EXCEPT OBD) - (ENGINE SIDE)

CAV	CIRCUIT
A	18WT/BL
B	-

**CONNECTOR
NOT
AVAILABLE**

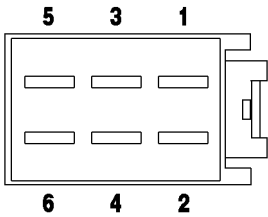
C102 (EXCEPT OBD) - (GENERATOR SIDE)

CAV	CIRCUIT
A	18WT/BL
B	-

**CONNECTOR
NOT
AVAILABLE**

C103 (OBD) - (GENERATOR SIDE)

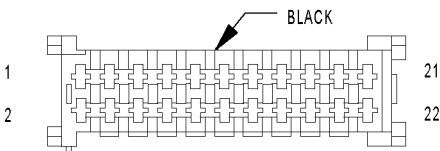
CAV	CIRCUIT
1	18WT/BL
2	14BK/YL
3	-
4	-
5	-
6	16YL/RD



**C103
(OBD)**

C103 (OBD) - (MAIN BODY)

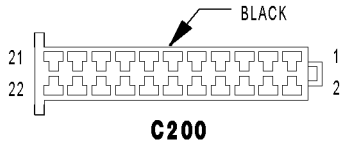
CAV	CIRCUIT
1	20BL
2	12BK/YL
3	-
4	-
5	-
6	16YL/RD



C200

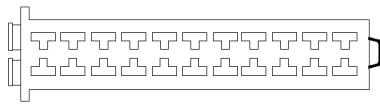
C200 - BLACK (DASH SIDE)

CAV	CIRCUIT
1	16GY
2	16GY/DG
3	16BK/YL
4	16DG/BL/WT
5	16YL/BK
6	16BL/RD
7	16BK/RD
8	16WT/BK
9	16WT/DG
10	16WT/YL
11	16WT/RD
12	16BK/RD
13	16VT/YL
14	16BR/WT
15	16YL
16	16BR/WT
17	16GY/RD
18	16BK/YL/DG
19	16BK/YL
20	-
21	-
22	-



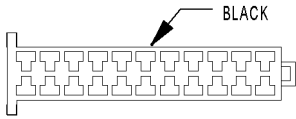
C200 - BLACK (MAIN BODY SIDE)

CAV	CIRCUIT
1	16GY
2	16GY/DG
3	16BK/YL
4	16DG/BL/WT
5	16YL/BL
6	16BL/RD
7	16BK/RD
8	16WT/BK
9	16WT/DG
10	16WT/YL
11	16WT/RD
12	16BK/RD
13	18VT/YL
14	16BR/BK
15	16YL
16	16BR/WT
17	16GY/RD
18	16BK/YL/DG
19	16BK/YL
20	-
21	-
22	-



C201 - (DASH SIDE)

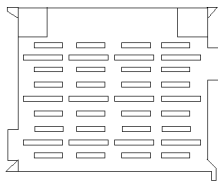
CAV	CIRCUIT
1	-
2	16GY/DG/RD
3	16RD/BL
4	20BL/VT
4	16RD/YL/WT
5	16VT/WT
6	20BL/RD/WT
7	16BK/RD
8	16RD/YL
9	18BK/RD
10	18BK/BL
11	16YL
12	-
13	16RD
14	-
15	18RD/BK
16	-
17	-
18	-



C201

C201 - BLACK (MAIN BODY SIDE)

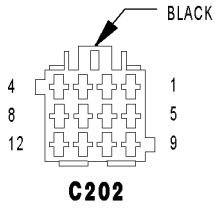
CAV	CIRCUIT
1	-
2	16GY/DG/RD
3	16RD/BL
4	16RD/YL/WT
4	20BL/VT
5	16VT/WT
6	20BL/RD/WT
7	16BK/RD
8	16RD/YL
9	16BK/RD
10	18BK/BL
11	16YL
12	-
13	16RD
14	-
15	18RD/BK
16	-
17	-
18	-
19	-
20	-
21	-
22	-



C202

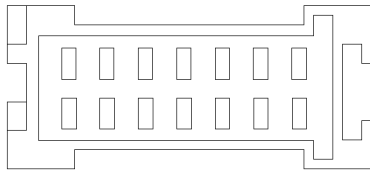
C202 - (DASH SIDE)

CAV	CIRCUIT
1	16WT/RD
2	16WT/BL/RD
3	20BK/BL/RD
4	20BL/DG
5	-
6	18BK/DG
7	20DG/WT
8	20DG
9	-
10	-
11	20YL
12	-



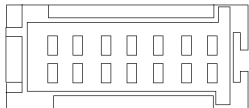
C202 - BLACK (MAIN BODY SIDE)

CAV	CIRCUIT
1	16WT/RD
2	16WT/BL/RD
3	20BK/BL/RD
4	20BL/DG
5	-
6	18BK/DG
7	20DG/WT
8	20DG
9	-
10	-
11	20YL
12	-



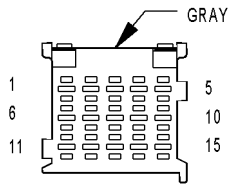
C203 - (DASH SIDE)

CAV	CIRCUIT
1	18GY/YL
2	18GY/BR
3	18GY/WT
4	-
5	-
6	-
7	-
8	-
9	-
10	18VT/DG
11	16RD
12	-



C203 - BLACK (MAIN BODY SIDE)

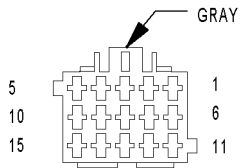
CAV	CIRCUIT
1	18GY/YL
2	18GY/BR
3	18GY/WT
4	-
5	-
6	-
7	-
8	-
9	-
10	18VT/DG
11	16RD
12	-



C204

C204 - GRAY (DASH SIDE)

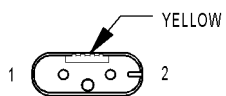
CAV	CIRCUIT
1	18BK/RD
2	18BK/YL
3	20DG/WT
4	20DG
5	18DG/RD
6	18BR/VT
7	16BL
8	16BL/YL
9	16BL/DG
10	18BR/BL
11	20BR/RD
12	20RD/BL
13	16RD/BK
14	14BK/VT
15	16RD



C204

C204 - GRAY (MAIN BODY SIDE)

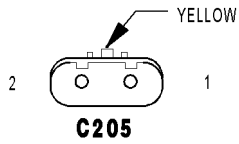
CAV	CIRCUIT
1	18BK/RD
2	18BK/YL
3	20DG/WT
4	20DG
5	18DG/RD
6	18BR/VT
7	16BL
8	16BL/YL
9	16BL/DG
10	18BR/BL
11	20BR/RD
12	20RD/BL
13	16RD/BK
14	14BK/VT
15	16RD



C205

C205 - YELLOW (DASH SIDE)

CAV	CIRCUIT
1	20BL/DG
2	20BR/DG



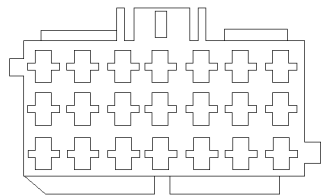
C205 - YELLOW (MAIN BODY SIDE)

CAV	CIRCUIT
1	20BL/DG
2	20BR/DG

**CONNECTOR
NOT
AVAILABLE**

C206 - (DASH SIDE)

CAV	CIRCUIT
1	16RD
2	14BK/VT
3	16VT/DG
4	16VT/RD
5	16VT/YL
6	16VT/BK
7	16VT/BR
8	16VT
10	16BK/RD
11	18BR/WT
15	16BK/BL/WT
18	16VT/YL
19	16VT/BL
20	18RD/BK/WT
21	18BK/BL



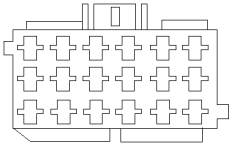
C206 - (MAIN BODY SIDE)

CAV	CIRCUIT
1	16BK/BL/WT
2	14BK/VT
3	16VT/DG
4	16VT/RD
5	16VT/YL
6	16VT/BK
7	16VT/BR
8	16VT
10	16BK/RD
11	18BR/WT
15	16BK/BL/WT
18	16VT/YL
19	16VT/BL
20	16RD/BK/WT
21	18BK/BL

**CONNECTOR
NOT
AVAILABLE**

C207 - (DASH SIDE)

CAV	CIRCUIT
11	16DG
12	16YL
17	16RD/YL



C207

C207 - (MAIN BODY SIDE)

CAV	CIRCUIT
11	16DG
12	16YL
17	16RD/YL

**CONNECTOR
NOT
AVAILABLE**

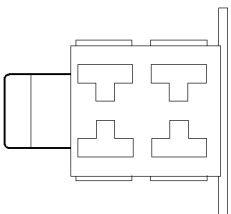
C208 - (CABIN SIDE)

CAV	CIRCUIT
3	16WT
4	16BK

**CONNECTOR
NOT
AVAILABLE**

C208 - (DASH SIDE)

CAV	CIRCUIT
3	16WT
4	16BK



C209

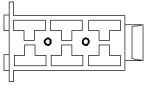
C209 - (CABIN SIDE)

CAV	CIRCUIT
1	16BR/BL
2	16WT/BL
3	16BR/DG
4	16WT/DG

**CONNECTOR
NOT
AVAILABLE**

C209 - (DASH SIDE)

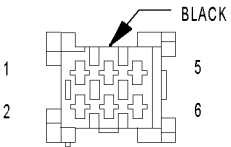
CAV	CIRCUIT
1	16BR/BL
2	16WT/BL
3	16BR/GY
4	16WT/GY



C210

C210 - (DRIVER DOOR SIDE)

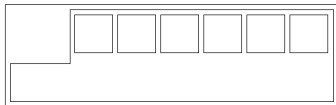
CAV	CIRCUIT
1	14BR
2	16BK/YL
3	16BK/YL/DG
4	16BK/WT
5	16BL/WT
6	-



C210

C210 - BLACK (MAIN BODY SIDE)

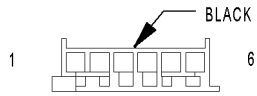
CAV	CIRCUIT
1	14BR
2	16BK/YL
3	16BK/YL/DG
4	16BK/WT
5	16BL/WT
6	-



C211

C211 - (POWER MIRROR SWITCH SIDE)

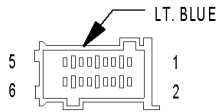
CAV	CIRCUIT
1	18BR
2	18BK/RD
3	-
4	18BL/DG
5	18DG
6	18WT/GY



C211

C211 - BLACK (POWER MIRROR SIDE)

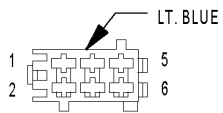
CAV	CIRCUIT
1	18BR
2	18BK/RD
3	-
4	18BL/DG
5	18DG
6	18WT/GY



C214

C214 - LT. BLUE (CABIN SIDE)

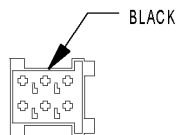
CAV	CIRCUIT
1	16YL
2	16VT
3	16BK
4	16BR
5	-
6	-



C214

C214 - LT. BLUE (DASH SIDE)

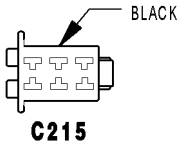
CAV	CIRCUIT
1	16YL
2	16VT
3	16BK
4	16BR
5	-
6	-



C215

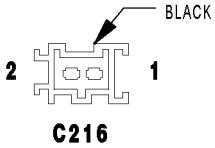
C215 - BLACK (CABIN SIDE)

CAV	CIRCUIT
1	16RD/YL
2	16BK/RD
3	-
4	-
5	16BR/WT
6	14BR



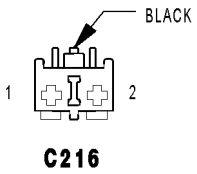
C215 - BLACK (MAIN BODY)

CAV	CIRCUIT
1	16RD/YL
2	16BK/RD
3	-
4	-
5	20BR/WT
6	14BR



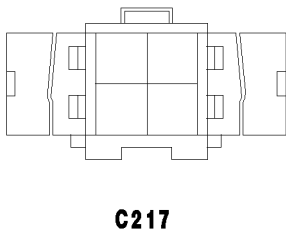
C216 - BLACK (CABIN SIDE)

CAV	CIRCUIT
1	12RD
2	-



C216 - BLACK (MAIN BODY SIDE)

CAV	CIRCUIT
1	12RD
2	-



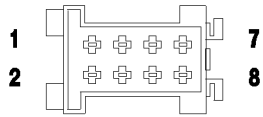
C217 - (CABIN SIDE)

CAV	CIRCUIT
1	16RD/YL
2	16YL
3	16DG
4	16YL

**CONNECTOR
NOT
AVAILABLE**

C217 - (MAIN BODY SIDE)

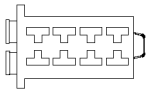
CAV	CIRCUIT
1	16RD/YL
2	16YL
3	16DG
4	16YL



C218

C218 - (CABIN SIDE)

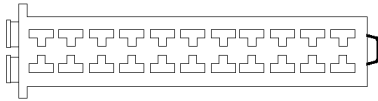
CAV	CIRCUIT
1	16BR/WT
2	16BR/YL
3	16RD/DG
4	16DG/YL
5	20DG/BK
6	20GY/BK
7	20DG/WT/BL
8	-



C100

C218 - (MAIN BODY SIDE)

CAV	CIRCUIT
1	16BR/WT
2	16BR/YL
3	16RD/DG
4	16DG/YL
5	20DG/BK
6	20GY/BK
7	20DG/WT/BL



C219

C219 - (MAIN BODY SIDE)

CAV	CIRCUIT
5	16BK/RD
6	16BL/RD
7	16YL/WT
8	16DG/BK
9	16BK/RD
10	16BL/RD
11	16YL/RD
12	16DG/YL

**CONNECTOR
NOT
AVAILABLE**

C219 - BLACK (CABIN SIDE)

CAV	CIRCUIT
5	16BK/RD
6	16BL/RD
7	16YL/WT
8	16DG/BK
9	16BK/RD
10	16BL/RD
11	16YL/RD
12	16DG/YL

**CONNECTOR
NOT
AVAILABLE**

C220 - (CIGARETTE SIDE)

CAV	CIRCUIT
1	16RD/YL
2	16BR
3	16GY/DG/RD

**CONNECTOR
NOT
AVAILABLE**

C220 - (DASH SIDE)

CAV	CIRCUIT
1	16RD/YL
2	16BR
3	16GY/DG/RD

**CONNECTOR
NOT
AVAILABLE**

C221 - (MAIN BODY SIDE)

CAV	CIRCUIT
1	16BL/WT
2	16BK/YL/DG
3	16BK/WT

CONNECTOR
NOT
AVAILABLE

C221 - (PASSENGER DOOR SIDE)

CAV	CIRCUIT
1	16BL/WT
2	16BK/YL/DG
3	16BK/WT

CONNECTOR
NOT
AVAILABLE

C224 - (BLOWER MOTOR/SOLENOID SIDE)

CAV	CIRCUIT
1	12RD
2	12BK
2	16BK

CONNECTOR
NOT
AVAILABLE

C224 - (MAIN BODY SIDE)

CAV	CIRCUIT
1	12RD
2	12BR

CONNECTOR
NOT
AVAILABLE

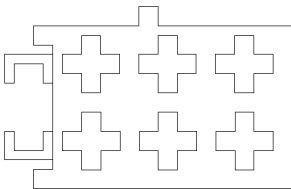
C225 - (BLOWER MOTOR/SOLENOID SIDE)

CAV	CIRCUIT
1	12RD
2	12RD/BL
3	16RD

CONNECTOR
NOT
AVAILABLE

C225 - (DASH SIDE)

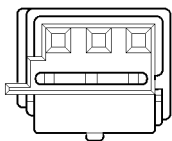
CAV	CIRCUIT
1	12RD/BL
2	12BL
3	16RD



C226

C226 - (CABIN SIDE)

CAV	CIRCUIT
1	16GY
2	-
3	16RD/DG
4	16RD/BL
5	16BK
6	16BR



C300

C300 - (BODY SIDE)

CAV	CIRCUIT
1	16RD/YL
1	20RD
2	20YL
3	20WT

**CONNECTOR
NOT
AVAILABLE**

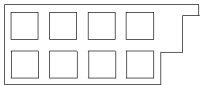
C300 - (RAIN SENSOR SIDE)

CAV	CIRCUIT
1	20DG
2	20BR
3	20BK/DG
4	16RD/YL

**CONNECTOR
NOT
AVAILABLE**

C301 - (BODY SIDE)

CAV	CIRCUIT
1	20RD
2	20YL
3	20WT
4	-
5	-
6	-
7	-
8	-



C301

C301 - (CABIN SIDE)

CAV	CIRCUIT
1	20RD
2	20YL
3	20WT
4	-
5	-
6	-
7	-
8	-

**CONNECTOR
NOT
AVAILABLE**

C306 - (ROOF SIDE)

CAV	CIRCUIT
2	14BR

**CONNECTOR
NOT
AVAILABLE**

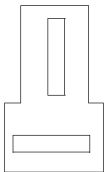
C306 - (BODY SIDE)

CAV	CIRCUIT	FUNCTION
2	14BR	

**CONNECTOR
NOT
AVAILABLE**

C307 - (BODY SIDE)

CAV	CIRCUIT
1	16BR
2	16BL

**C307**

C307 - (TEMPERATURE SENSOR SIDE)

CAV	CIRCUIT
1	16BR
2	16BL

CONNECTOR
NOT
AVAILABLE

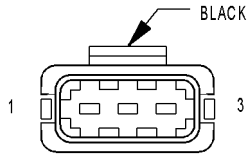
CABIN HEATER ASSEMBLY

CAV	CIRCUIT	FUNCTION
B	16BL/YL (CABIN HEATER MODULE)	CIRCULATION PUMP RELAY HIGH SIDE CONTROL
B	16BL/YL (REST SYSTEM)	HEATER BOOSTER MODE

CONNECTOR
NOT
AVAILABLE

CABIN HEATER MODULE (CHM)

CAV	CIRCUIT	FUNCTION
1	14RD	FUSED B(+)
2	14BR	GROUND
3	16BL/YL	FAN STAGE 1 RELAY HIGH SIDE CONTROL
4	16DG	DOSING PUMP CONTROL
5	16BL/RD	K-IC/ATC/HBM/CHM
6	16BK/BL/DG (EXCEPT PROGRAM TIMER)	FUSED OPTIONAL EQUIPMENT RELAY OUTPUT
6	16BL (PROGRAM TIMER)	CABIN HEATER CONTROL
7	16BL (EXCEPT PROGRAM TIMER)	AUXILIARY HEATER SWITCH
7	16YL (PROGRAM TIMER)	CABIN HEATER CONTROL



**CAMSHAFT
POSITION
SENSOR**

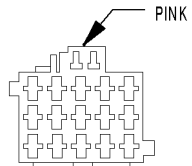
CONNECTOR
NOT
AVAILABLE

CAMSHAFT POSITION SENSOR - BLACK

CAV	CIRCUIT	FUNCTION
1	20BR/DG	CAMSHAFT POSITION SENSOR GROUND
2	20YL/GY	CAMSHAFT POSITION SENSOR SIGNAL
3	18RD/BL (EXCEPT OBD)	CAMSHAFT POSITION SENSOR 12 VOLT SUPPLY
3	20RD/BL (OBD)	CAMSHAFT POSITION SENSOR 5 VOLT SUPPLY

CENTER HIGH MOUNTED STOP LAMP

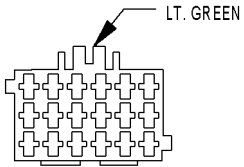
CAV	CIRCUIT	FUNCTION
1	16BK/RD	BRAKE LAMP SWITCH OUTPUT
2	16BR	GROUND



**CENTRAL
TIMER
MODULE
C1**

CENTRAL TIMER MODULE C1 - PINK

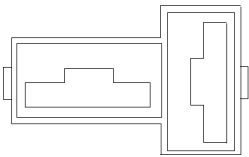
CAV	CIRCUIT	FUNCTION
1	16DG/BK	DRIVER DOOR UNLOCK SENSE
2	16BL/RD	DRIVER DOOR LOCK DRIVER
3	16BK/RD	DRIVER DOOR UNLOCK DRIVER
4	16YL/BK	DRIVER DOOR LOCK SENSE
5	16DG/BL/WT	PASSENGER FRONT DOOR UNLOCK SENSE
6	16YL/BL	PASSENGER FRONT DOOR LOCK SENSE
7	16WT/YL	MASTER DOOR LOCK SWITCH SENSE-ALL DOORS
8	16RD/BK	FUSED D(+) RELAY NO. 1 OUTPUT
9	16WT/BL (EXCEPT VTSS)	RKE INTERFACE
9	16WT/BL/RD (VTSS)	RKE INTERFACE
10	16BK/RD	FUSED IGNITION SWITCH OUTPUT (ACC-RUN-START)
11	16DG	ENHANCED ACCIDENT REPORT DRIVER
12	20DG/WT/BL	K-CTM/SSM
13	14RD/WT	FUSED B(+)
14	14BR	GROUND
15	16WT/BK	DRIVER DOOR AJAR INDICATOR DRIVER



**CENTRAL
TIMER
MODULE C2**

CENTRAL TIMER MODULE C2 - LT. GREEN

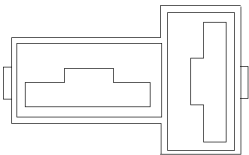
CAV	CIRCUIT	FUNCTION
1	-	-
2	-	-
3	16WT/DG	PASSENGER DOOR AJAR INDICATOR DRIVER
4	-	-
5	-	-
6	16WT/RD	MASTER DOOR LOCK SWITCH SENSE-PASSENGER DOORS
7	16DG/BK	LEFT SLIDING DOOR UNLOCK SENSE
8	-	-
9	-	-
10	16DG/RD	REAR DOOR UNLOCK SENSE
11	16YL/WT	LEFT SLIDING DOOR LOCK SENSE
12	16YL/BK	REAR DOOR LOCK SENSE
13	16YL/RD	RIGHT SLIDING DOOR LOCK SENSE
14	16DG/YL	RIGHT SLIDING DOOR UNLOCK SENSE
15	-	-
16	-	-
17	16BK/RD	PASSENGER DOORS UNLOCK DRIVER (+)
18	16BL/RD	PASSENGER DOORS LOCK DRIVER (+)



**CIGAR
LIGHTER**

CIGAR LIGHTER

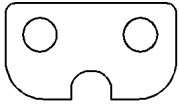
CAV	CIRCUIT	FUNCTION
1	16BR	GROUND
2	16RD/YL	FUSED B(+)



**CIGAR
LIGHTER
LAMP**

CIGAR LIGHTER LAMP

CAV	CIRCUIT	FUNCTION
1	16BR	GROUND
2	16GY/DG/RD	LAMP DRIVER



CIRCULATION PUMP (CABIN HEATER MODULE)

CIRCULATION PUMP (CABIN HEATER MODULE)

CAV	CIRCUIT	FUNCTION
1	18DG/RD	CIRCULATION PUMP RELAY OUTPUT
2	18BR	GROUND

CONNECTOR NOT AVAILABLE

CIRCULATION PUMP (REST SYSTEM)

CAV	CIRCUIT	FUNCTION
1	18DG/RD	CIRCULATION PUMP CONTROL
2	18BR	GROUND

CONNECTOR NOT AVAILABLE

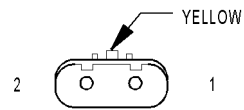
CIRCULATION PUMP DIODE

CAV	CIRCUIT	FUNCTION
3	18DG/RD	CIRCULATION PUMP RELAY OUTPUT
4	18DG/BK (CABIN HEATER MODULE)	CIRCULATION PUMP RELAY OUTPUT
4	18BK (EXCEPT PROGRAM TIMER)	FUSED OPTIONAL EQUIPMENT RELAY OUTPUT

CONNECTOR NOT AVAILABLE

CLOCKSPRING C1

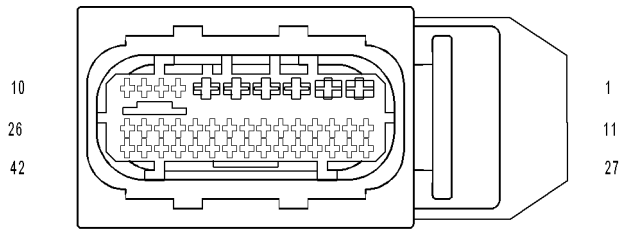
CAV	CIRCUIT	FUNCTION
1	16BR	GROUND
2	16BK/YL	HORN RELAY CONTROL



CLOCKSPRING C2

CLOCKSPRING C2 - YELLOW

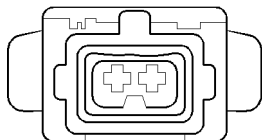
CAV	CIRCUIT	FUNCTION
1	20VT	DRIVER AIRBAG SQUIB 1 LINE 1
2	20DG	DRIVER AIRBAG SQUIB 1 LINE 2



**CONTROLLER
ANTILOCK
BRAKE**

CONTROLLER ANTILOCK BRAKE

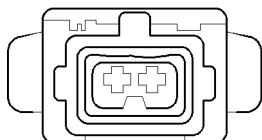
CAV	CIRCUIT	FUNCTION
1	12BR	GROUND
2	12RD	FUSED B(+)
3	-	-
4	-	-
5	14BR	GROUND
6	14RD	FUSED B(+)
7	-	-
8	20BK/DG	SENSOR SIGNAL
9	20YL/WT	SENSOR SIGNAL
10	20YL/RD	SENSOR SIGNAL
11	18BL/BK	K-ABS/SHIFTER ASSEMBLY
12	18BK	LEFT FRONT WHEEL SPEED SENSOR (+)
13	-	-
14	20WT	LEFT REAR WHEEL SPEED SENSOR (+)
15	18BR	RIGHT FRONT WHEEL SPEED SENSOR (-)
16	18BK	RIGHT FRONT WHEEL SPEED SENSOR (+)
17	-	-
18	-	-
19	-	-
20	20WT	BRAKE SWITCH OUTPUT
21	20BR	GROUND
22	-	-
23	18BK/RD	FUSED OPTIONAL EQUIPMENT RELAY OUTPUT
24	20DG/WT	CAN C BUS (+)
25	20BR	SENSOR GROUND
26	20WT/GY	BRAKE PRESSURE SENSOR SIGNAL
27	18BK/BL	TCS SWITCH (ASR) SENSE
28	18BR	LEFT FRONT WHEEL SPEED SENSOR (-)
29	20BR	LEFT REAR WHEEL SPEED SENSOR (-)
30	20BR	RIGHT REAR WHEEL SPEED SENSOR (-)
31	20YL	RIGHT REAR WHEEL SPEED SENSOR (+)
32	18BK/RD	BRAKE LAMP SWITCH OUTPUT
33	-	-
34	-	-
35	-	-
36	-	-
37	-	-
38	-	-
39	20RD/BL	POWER INPUT
40	20DG	CAN C BUS (-)
41	20DG/YL	SENSOR SIGNAL
42	20WT/RD	5 VOLT SUPPLY



**COURTESY
LAMP-
DRIVER
DOOR**

COURTESY LAMP-DRIVER DOOR

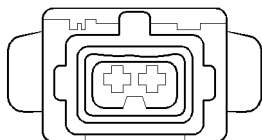
CAV	CIRCUIT	FUNCTION
1	16RD/YL	FUSED B(+)
2	16BR/WT	FRONT COURTESY LAMPS CONTROL



**COURTESY
LAMP-
LEFT
SLIDING
DOOR**

COURTESY LAMP-LEFT SLIDING DOOR

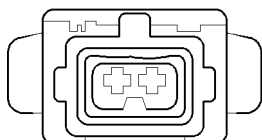
CAV	CIRCUIT	FUNCTION
1	16RD/YL	FUSED B(+)
2	16BR/WT	DOOR AJAR SWITCH SENSE



**COURTESY
LAMP-
PASSENGER
DOOR**

COURTESY LAMP-PASSENGER DOOR

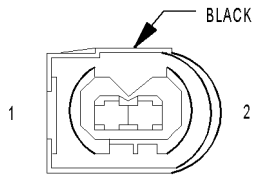
CAV	CIRCUIT	FUNCTION
1	16RD/YL	FUSED B(+)
2	16BR/WT	FRONT COURTESY LAMPS CONTROL



**COURTESY
LAMP-
RIGHT
SLIDING
DOOR**

COURTESY LAMP-RIGHT SLIDING DOOR

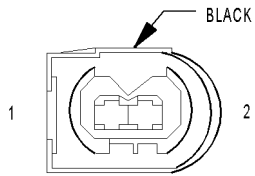
CAV	CIRCUIT	FUNCTION
1	16RD/YL	FUSED B(+)
2	16BR/WT	DOOR AJAR SWITCH SENSE



CRANKCASE HEATER

CRANKCASE HEATER - BLACK

CAV	CIRCUIT	FUNCTION
1	18BR (EXCEPT OBD)	GROUND
1	18BK/RD (OBD)	CRANKCASE HEATER SIGNAL
2	16BK/RD (EXCEPT OBD)	FUSED ENGINE CONTROL RELAY OUTPUT
2	18BK/BR (OBD)	CRANKCASE HEATER GROUND



CRANKSHAFT POSITION SENSOR

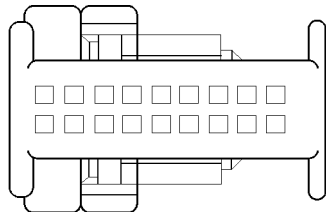
CRANKSHAFT POSITION SENSOR - BLACK

CAV	CIRCUIT	FUNCTION
1	20DG (EXCEPT OBD)	CRANKSHAFT POSITION SENSOR SIGNAL NO. 2
1	20DG/WT (OBD)	CRANKSHAFT POSITION SENSOR SIGNAL NO. 1
2	20DG/WT (EXCEPT OBD)	CRANKSHAFT POSITION SENSOR SIGNAL NO. 1
2	20DG (OBD)	CRANKSHAFT POSITION SENSOR SIGNAL NO. 2

CONNECTOR NOT AVAILABLE

CTEL ANTENNA CONNECTOR

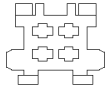
CAV	CIRCUIT	FUNCTION
1	16BK	CELLULAR ANTENNA W/SHIELD
2	-	SHIELD



CTEL CONNECTOR

CTEL CONNECTOR

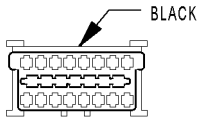
CAV	CIRCUIT	FUNCTION
1	18BR	GROUND
4	16DG/YL/BK	RADIO MUTE
7	18BL/DG	SPEAKER-LEFT FRONT (-) CTEL
9	10BR	CTEL CONNECTOR CAV 9 TO MICROPHONE CONNECTOR CAV 1
10	18BK/BL	FUSED OPTIONAL EQUIPMENT RELAY OUTPUT
11	18RD/BK/WT	FUSED B(+)
12	18BK/BL	FUSED OPTIONAL EQUIPMENT RELAY OUTPUT
16	18BK/YL	SPEAKER-LEFT FRONT (+) CTEL
18	10BL	CTEL CONNECTOR CAV 18 TO MICROPHONE CONNECTOR



**CYLINDER
LOCK
SWITCH-DRIVER**

CYLINDER LOCK SWITCH-DRIVER

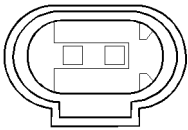
CAV	CIRCUIT	FUNCTION
1	16BK	DRIVER CYLINDER UNLOCK SENSE
2	-	-
3	16BR	GROUND
4	16RD	DRIVER CYLINDER LOCK SENSE



**DATA
LINK
CONNECTOR**

DATA LINK CONNECTOR - BLACK

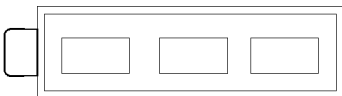
CAV	CIRCUIT	FUNCTION
1	20WT/DG	K-SKREEM
2	-	-
3	20DG/YL	ENGINE RPM
4	20BR	GROUND
5	20BR	GROUND
6	-	-
7	20BL/YL	K-ECM
8	20BK/BL/DG	FUSED IGNITION SWITCH OUTPUT (RUN-START)
9	20BL/BK	K-ABS/SHIFTER ASSEMBLY
10	-	-
11	20BL	K-TCM/RADIO
12	20GY/DG/RD	K-CTM/SSM
13	20BK/RD	K-ACM
14	-	-
15	20WT/GY	K-IC/ATC/HBM/CHM
16	20RD/YL	FUSED B(+)



**DIFFERENTIAL
LOCK
SOLENI
D VALVE**

DIFFERENTIAL LOCK SOLENOID VALVE

CAV	CIRCUIT	FUNCTION
1	18VT/YL	DIFFERENTIAL LOCK SOLENOID CONTROL
2	18BR	GROUND



**DOME
LAMP**

DOME LAMP

CAV	CIRCUIT	FUNCTION
1	16BR	GROUND
2	16RD/YL	FUSED B(+)
3	16BR/WT	FRONT COURTESY LAMPS CONTROL

CONNECTOR
NOT
AVAILABLE

DOOR LOCK MOTOR/AJAR SWITCH ASSEMBLY-DRIVER C1

CAV	CIRCUIT	FUNCTION
1	16YL/BK	DRIVER DOOR LOCK SENSE
2	16DG/BK	DRIVER DOOR UNLOCK SENSE

CONNECTOR
NOT
AVAILABLE

DOOR LOCK MOTOR/AJAR SWITCH ASSEMBLY-DRIVER C2

CAV	CIRCUIT	FUNCTION
1	16BK/RD	DRIVER DOOR UNLOCK DRIVER
2	16BL/RD	DRIVER DOOR LOCK DRIVER

CONNECTOR
NOT
AVAILABLE

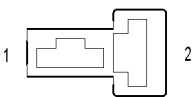
DOOR LOCK MOTOR/AJAR SWITCH ASSEMBLY-LEFT SLIDING C1

CAV	CIRCUIT	FUNCTION
1	16BK/RD	PASSENGER DOORS UNLOCK DRIVER (+)
2	16BL/RD	PASSENGER DOORS LOCK DRIVER (+)

CONNECTOR
NOT
AVAILABLE

DOOR LOCK MOTOR/AJAR SWITCH ASSEMBLY-LEFT SLIDING C2

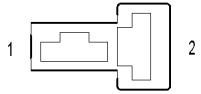
CAV	CIRCUIT	FUNCTION
3	16YL/WT	LEFT SLIDING DOOR LOCK SENSE
4	16DG/BK	LEFT SLIDING DOOR UNLOCK SENSE



**DOOR LOCK
MOTOR/AJAR
SWITCH
ASSEMBLY-
PASSENGER C1**

DOOR LOCK MOTOR/AJAR SWITCH ASSEMBLY-PASSENGER C1

CAV	CIRCUIT	FUNCTION
1	16YL/BK	PASSENGER FRONT DOOR LOCK SENSE
2	16DG/BL/WT	PASSENGER FRONT DOOR UNLOCK SENSE



**DOOR LOCK
MOTOR/AJAR
SWITCH
ASSEMBLY-
PASSENGER C2**

CONNECTOR
NOT
AVAILABLE

CONNECTOR
NOT
AVAILABLE

CONNECTOR
NOT
AVAILABLE

CONNECTOR
NOT
AVAILABLE

DOOR LOCK MOTOR/AJAR SWITCH ASSEMBLY-PASSENGER C2

CAV	CIRCUIT	FUNCTION
1	16BK/RD	PASSENGER DOORS UNLOCK DRIVER (+)
2	16BL/RD	PASSENGER DOORS LOCK DRIVER (+)

DOOR LOCK MOTOR/AJAR SWITCH ASSEMBLY-REAR C1

CAV	CIRCUIT	FUNCTION
1	16BK/RD	PASSENGER DOORS UNLOCK DRIVER (+)
2	16BL/RD	PASSENGER DOORS LOCK DRIVER (+)

DOOR LOCK MOTOR/AJAR SWITCH ASSEMBLY-REAR C2

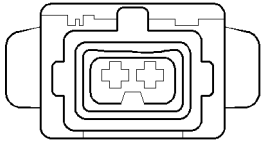
CAV	CIRCUIT	FUNCTION
3	16YL/BK (CARGO VAN)	REAR DOOR LOCK SENSE
4	16DG/RD (CARGO VAN)	REAR DOOR UNLOCK SENSE
4	16YL/BK (PASSENGER VAN)	REAR DOOR LOCK SENSE
5	16DG/RD (PASSENGER VAN)	REAR DOOR UNLOCK SENSE

DOOR LOCK MOTOR/AJAR SWITCH ASSEMBLY-RIGHT SLIDING C1

CAV	CIRCUIT	FUNCTION
1	16BK/RD	PASSENGER DOORS UNLOCK DRIVER (+)
2	16BL/RD	PASSENGER DOORS LOCK DRIVER (+)

DOOR LOCK MOTOR/AJAR SWITCH ASSEMBLY-RIGHT SLIDING C2

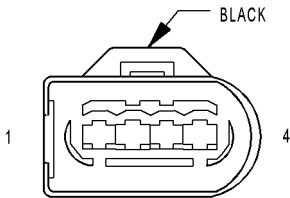
CAV	CIRCUIT	FUNCTION
3	16YL/RD	RIGHT SLIDING DOOR LOCK SENSE
4	16DG/YL	RIGHT SLIDING DOOR UNLOCK SENSE



DOSING PUMP

DOSING PUMP

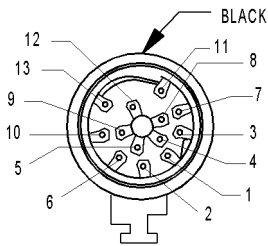
CAV	CIRCUIT	FUNCTION
1	16DG	DOSING PUMP CONTROL
2	16BR	GROUND



EGR VALVE

EGR VALVE - BLACK

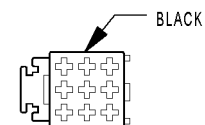
CAV	CIRCUIT	FUNCTION
1	20RD/YL (EXCEPT OBD)	EGR VALVE CONTROL
1	20DG/WT (OBD)	EGR VALVE CONTROL
2	16BK/GY (EXCEPT OBD)	FUSED ENGINE CONTROL RELAY OUTPUT
2	16BK/DG (OBD)	FUSED ENGINE CONTROL RELAY OUTPUT
3	18BR/BK (EXCEPT OBD)	SENSOR GROUND
3	20BR/DG (OBD)	SENSOR GROUND
4	-	-



ELECTROHYDRAULIC CONTROL UNIT

ELECTROHYDRAULIC CONTROL UNIT - BLACK

CAV	CIRCUIT	FUNCTION
1	20BL/DG	N3 INPUT SPEED SENSOR
2	16BR/GY	MODULATION PRESSURE SOLENOID CONTROL
3	20BL/GY	N2 INPUT SPEED SENSOR
4	20GY/BL	TEMPERATURE SENSOR-P/N SWITCH
5	-	-
6	16BK	SOLENOID SUPPLY VOLTAGE
7	20BK/BL	SENSOR SUPPLY VOLTAGE
8	16WT/BL	2-3 SOLENOID CONTROL
9	16YL	3-4 SOLENOID CONTROL
10	16BK/RD	SHIFT PRESSURE SOLENOID CONTROL
11	16YL/BL	TCC SOLENOID CONTROL
12	20PK	SENSOR GROUND
13	16WT	1-2/4-5 SOLENOID CONTROL



ENGINE CONTROL MODULE C1 (EXCEPT OBD)

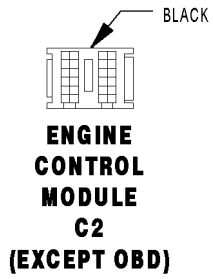
ENGINE CONTROL MODULE C1 (EXCEPT OBD) - BLACK

CAV	CIRCUIT	FUNCTION
1	16BK/RD	FUSED ENGINE CONTROL RELAY OUTPUT
2	-	-
3	-	-
4	14BR	GROUND
5	14BR	GROUND
6	14BR	GROUND
7	14BK/BL	FUSED ENGINE CONTROL RELAY OUTPUT
8	14BK/BL	FUSED ENGINE CONTROL RELAY OUTPUT
9	-	-

CONNECTOR
NOT
AVAILABLE

ENGINE CONTROL MODULE C1 (OBD)

CAV	CIRCUIT	FUNCTION
1	16BL	FUEL INJECTOR NO. 1 HIGH-SIDE CONTROL
2	16BL/WT	FUEL INJECTOR NO. 4 HIGH-SIDE CONTROL
3	16DG	FUEL INJECTOR NO. 3 HIGH-SIDE CONTROL
4	20RD/WT	FUEL PRESSURE SOLENOID 12 VOLT SUPPLY
8	18BL/GY	FUEL TEMPERATURE SENSOR SIGNAL
10	20RD/YL	ENGINE OIL SENSOR 5 VOLT SUPPLY
11	20GY/BL	ENGINE OIL SENSOR SIGNAL
12	20BR/RD	INTAKE PRESSURE SENSOR GROUND
13	20VT/DG	INTAKE PRESSURE SENSOR SIGNAL
14	20BR/DG	CAMSHAFT POSITION SENSOR GROUND
15	20DG/BK	O2 1/1 PUMP CELL SIGNAL
20	18BK/YL	WATER IN FUEL SENSOR SIGNAL
21	18BK/RD	CRANKCASE HEATER SIGNAL
25	16BK	FUEL INJECTOR NO. 2 HIGH-SIDE CONTROL
26	16BK/WT	FUEL INJECTOR NO. 5 HIGH-SIDE CONTROL
28	18RD/BK	FUEL QUANTITY SOLENOID 12 VOLT SUPPLY
31	20YL/BL	MASS AIR FLOW SENSOR GROUND
32	18DG/BK	FUEL TEMPERATURE SENSOR GROUND
35	20BR/BK	SENSOR GROUND
36	20VT/RD	INTAKE PRESSURE SENSOR 5 VOLT SUPPLY
37	20RD/BL	CAMSHAFT POSITION SENSOR 5 VOLT SUPPLY
38	20YL/GY	CAMSHAFT POSITION SENSOR SIGNAL
39	20GY	O2 1/1 SENSOR CELL SIGNAL
40	20GY/WT	O2 1/1 VIRTUAL GROUND
49	16BK/VT	FUEL INJECTOR NO. 4 LOW-SIDE CONTROL
50	16BK/DG	FUEL INJECTOR NO. 3 LOW-SIDE CONTROL
51	16BK/YL	FUEL INJECTOR NO. 5 LOW-SIDE CONTROL
52	20BK/WT	FUEL PRESSURE SOLENOID CONTROL
55	18BR	WATER IN FUEL SENSOR GROUND
56	20BR/WT	ENGINE COOLANT TEMPERATURE SENSOR GROUND
57	20DG/RD	ENGINE COOLANT TEMPERATURE SENSOR SIGNAL
59	20DG/VT	FUEL PRESSURE SENSOR SIGNAL
61	20BR/VT	MASS AIR FLOW SENSOR 5 VOLT SUPPLY
62	20DG/YL	O2 1/1 PUMP CELL CONTROL
72	20GY/BL	O2 1/1 HEATER CONTROL
73	16BK/RD	FUEL INJECTOR NO. 1 LOW-SIDE CONTROL
74	16BK/BL	FUEL INJECTOR NO. 2 LOW-SIDE CONTROL
76	18BR/YL	FUEL QUANTITY SOLENOID CONTROL
79	18BR/RD	WATER IN FUEL SENSOR 12 VOLT SUPPLY
84	20BR/GY	FUEL PRESSURE SENSOR GROUND
85	20YL/DG	MASS AIR FLOW SENSOR SIGNAL
86	20RD/DG	FUEL PRESSURE SENSOR 5 VOLT SUPPLY
87	20DG/WT	CRANKSHAFT POSITION SENSOR SIGNAL NO. 1
88	20DG	CRANKSHAFT POSITION SENSOR SIGNAL NO. 2
90	20DG/WT	EGR VALVE CONTROL
91	18BK/BR	CRANKCASE HEATER GROUND
93	16YL/DG	BOOST PRESSURE SERVOMOTOR CONTROL



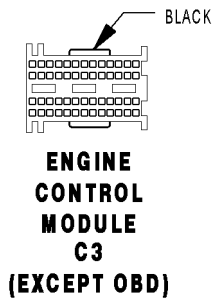
ENGINE CONTROL MODULE C2 (EXCEPT OBD) - BLACK

CAV	CIRCUIT	FUNCTION
1	-	-
2	-	-
3	18BR/WT	HIGH IDLE ON SIGNAL
4	-	-
5	-	-
6	-	-
7	18BR/DG	KICKDOWN SWITCH SIGNAL
8	-	-
9	18BR	SENSOR GROUND
10	-	-
11	20DG/WT	CAN C BUS (+)
12	20DG	CAN C BUS (-)
13	18BK	FUSED IGNITION SWITCH OUTPUT (RUN-START)
14	18DG	ACCEL/SET SIGNAL
15	-	-
16	18YL	DECEL/SET SIGNAL
17	20DG	ENHANCED ACCIDENT REPORT DRIVER
18	-	-
19	18RD	S/C SWITCH 12 VOLT SUPPLY
20	18BL	RESUME SIGNAL
21	18BK	VERIFICATION SIGNAL
22	18GY	OFF SIGNAL
23	-	-
24	-	-

CONNECTOR
NOT
AVAILABLE

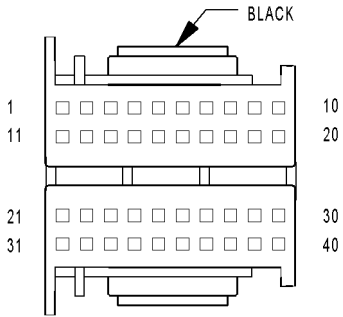
ENGINE CONTROL MODULE C2 (OBD)

CAV	CIRCUIT	FUNCTION
1	16BK/RD	FUSED ENGINE CONTROL RELAY OUTPUT
2	14BR	GROUND
3	14BK/BL	FUSED ENGINE CONTROL RELAY OUTPUT
4	14BR	GROUND
5	14BK/BL	FUSED ENGINE CONTROL RELAY OUTPUT
6	14BR	GROUND
7	18RD	S/C SWITCH 12 VOLT SUPPLY
8	18BR/WT	HIGH IDLE ON SIGNAL
10	18WT/RD	BOOST PRESSURE SENSOR 5 VOLT SUPPLY
11	18WT/DG	BOOST PRESSURE SENSOR SIGNAL
12	18BR/WT	SENSOR GROUND
13	18GY/DG	ACCEL PEDAL POSITION SENSOR SIGNAL NO. 2
14	18BR/GY	ACCEL PEDAL POSITION SENSOR GROUND NO. 2
17	18BR/DG	KICKDOWN SWITCH SIGNAL
18	20DG/YL	ENGINE RPM
19	18BK	FUSED IGNITION SWITCH OUTPUT (RUN-START)
24	18BL/RD	ACCEL PEDAL POSITION SENSOR 5 VOLT SUPPLY
25	18BL/DG	ACCEL PEDAL POSITION SENSOR SIGNAL NO. 1
26	18BR/BL	ACCEL PEDAL POSITION SENSOR GROUND NO. 1
28	18BR/DG	INTAKE AIR TEMPERATURE SENSOR GROUND
31	20BL/YL	K-ECM
32	20DG	ENHANCED ACCIDENT REPORT DRIVER
36	18VT	IGNITION SWITCH OUTPUT (START)
37	18DG	ACCEL/SET SIGNAL
38	18BK	VERIFICATION SIGNAL
42	18DG/WT	INTAKE AIR TEMPERATURE SENSOR SIGNAL
43	18BK/RD	GLOW PLUG MODULE CONTROL
44	18YL/BL	ENGINE CONTROL RELAY CONTROL
50	18YL	DECEL/SET SIGNAL
51	18GY	OFF SIGNAL
52	18BL	RESUME SIGNAL
53	20DG/WT	CAN C BUS (+)
54	20DG	CAN C BUS (-)
55	18BR/RD	FUEL PUMP RELAY CONTROL
58	18VT/DG	STARTER MOTOR RELAY CONTROL



ENGINE CONTROL MODULE C3 (EXCEPT OBD) - BLACK

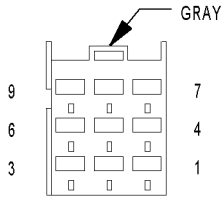
CAV	CIRCUIT	FUNCTION
1	18BR/DG	INTAKE AIR TEMPERATURE SENSOR GROUND
2	-	-
3	-	-
4	-	-
5	18BL/RD	ACCEL PEDAL POSITION SENSOR 5 VOLT SUPPLY
6	18WT/DG	BOOST PRESSURE SENSOR SIGNAL
7	20BR/YL	MASS AIR FLOW SENSOR GROUND
8	18BR/GY	ACCEL PEDAL POSITION SENSOR GROUND NO. 2
9	18GY/DG	ACCEL PEDAL POSITION SENSOR SIGNAL NO. 2
10	18BL/DG	ACCEL PEDAL POSITION SENSOR SIGNAL NO. 1
11	-	-
12	18DG/WT	INTAKE AIR TEMPERATURE SENSOR SIGNAL
13	-	-
14	-	-
15	-	-
16	-	-
17	18WT/RD	BOOST PRESSURE SENSOR 5 VOLT SUPPLY
18	20YL/DG	MASS AIR FLOW SENSOR SIGNAL
19	20BR/BK	MASS AIR FLOW SENSOR 5 VOLT SUPPLY
20	18VT	IGNITION SWITCH OUTPUT (START)
21	-	-
22	18BR/WT	BOOST PRESSURE SENSOR GROUND
23	18BR/BL	ACCEL PEDAL POSITION SENSOR GROUND NO. 1
24	-	-
25	18BK/RD	GLOW PLUG MODULE CONTROL
26	-	-
27	-	-
28	20BL/YL	K-ECM
29	-	-
30	18RD/BL	STARTER MOTOR RELAY 12 VOLT SUPPLY
31	-	-
32	-	-
33	20YL/RD	MASS AIR FLOW SENSOR 12 VOLT SUPPLY
34	-	-
35	20BR	BOOST PRESSURE SOLENOID 12 VOLT SUPPLY
36	-	-
37	-	-
38	-	-
39	-	-
40	20DG/YL	ENGINE RPM
41	-	-
42	-	-
43	18VT/DG	STARTER MOTOR RELAY CONTROL
44	-	-
45	-	-
46	18YL/BL	ENGINE CONTROL RELAY CONTROL
47	-	-
48	20WT	BOOST PRESSURE SOLENOID CONTROL
49	-	-
50	-	-
51	-	-
52	-	-



ENGINE CONTROL MODULE C4 (EXCEPT OBD)

ENGINE CONTROL MODULE C4 (EXCEPT OBD) - BLACK

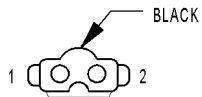
CAV	CIRCUIT	FUNCTION
1	-	-
2	20BR/DG	CAMSHAFT POSITION SENSOR GROUND
3	20YL/GY	CAMSHAFT POSITION SENSOR SIGNAL
4	20BR/GY	FUEL PRESSURE SENSOR GROUND
5	-	-
6	-	-
7	18GY/YL	LOW FUEL PRESSURE SENSOR GROUND
8	18GY/DG	LOW FUEL PRESSURE SENSOR 5 VOLT SUPPLY
9	-	-
10	18BR/RD	WATER IN FUEL SENSOR 12 VOLT SUPPLY
11	18BK/YL	WATER IN FUEL SENSOR GROUND
12	18RD/BL	CAMSHAFT POSITION SENSOR 12 VOLT SUPPLY
13	20RD/DG	FUEL PRESSURE SENSOR 5 VOLT SUPPLY
14	20DG/VT	FUEL PRESSURE SENSOR SIGNAL
15	20GY/BL	ENGINE OIL SENSOR SIGNAL
16	-	-
17	20BR/BK	SENSOR GROUND
18	20RD/YL	ENGINE OIL SENSOR 5 VOLT SUPPLY
19	-	-
20	-	-
21	20BK/WT	FUEL PRESSURE SOLENOID CONTROL
22	18RD/BK	FUEL SHUTDOWN SOLENOID 12 VOLT SUPPLY
23	-	-
24	-	-
25	-	-
26	20DG	CRANKSHAFT POSITION SENSOR SIGNAL NO. 2
27	20BR/WT	ENGINE COOLANT TEMPERATURE SENSOR GROUND
28	-	-
29	-	-
30	18DG/BK	FUEL TEMPERATURE SENSOR GROUND
31	20RD/WT	FUEL PRESSURE SOLENOID 12 VOLT SUPPLY
32	20BR/YL	FUEL SHUTDOWN SOLENOID CONTROL
33	-	-
34	18BR	WATER IN FUEL SENSOR SIGNAL
35	-	-
36	20DG/RD	ENGINE COOLANT TEMPERATURE SENSOR SIGNAL
37	20DG/WT	CRANKSHAFT POSITION SENSOR SIGNAL NO. 1
38	18GY/RD	LOW FUEL PRESSURE SENSOR SIGNAL
39	18BL/GY	FUEL TEMPERATURE SENSOR SIGNAL
40	20RD/YL	EGR VALVE CONTROL



ENGINE CONTROL MODULE C5 (EXCEPT OBD)

ENGINE CONTROL MODULE C5 (EXCEPT OBD) - GRAY

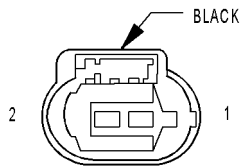
CAV	CIRCUIT	FUNCTION
1	-	-
2	14BK	COMMON INJECTOR DRIVER NO. 1
3	14BK/YL	FUEL INJECTOR NO. 4 CONTROL
4	14BL	COMMON INJECTOR DRIVER NO. 2
5	14BK/VT	FUEL INJECTOR NO. 2 CONTROL
6	-	-
7	14BK/DG	FUEL INJECTOR NO. 5 CONTROL
8	14BK/RD	FUEL INJECTOR NO. 3 CONTROL
9	14BK/BL	FUEL INJECTOR NO. 1 CONTROL



ENGINE COOLANT LEVEL SWITCH

ENGINE COOLANT LEVEL SWITCH - BLACK

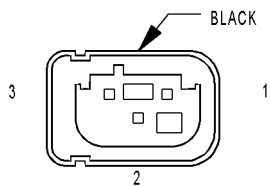
CAV	CIRCUIT	FUNCTION
1	20DG/WT/BL	ENGINE COOLANT LEVEL SWITCH SIGNAL
2	16BR	GROUND



ENGINE COOLANT TEMPERATURE SENSOR

ENGINE COOLANT TEMPERATURE SENSOR - BLACK

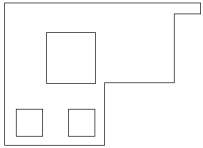
CAV	CIRCUIT	FUNCTION
1	20BR/WT	ENGINE COOLANT TEMPERATURE SENSOR GROUND
2	20DG/RD	ENGINE COOLANT TEMPERATURE SENSOR SIGNAL



ENGINE OIL SENSOR

ENGINE OIL SENSOR - BLACK

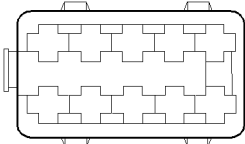
CAV	CIRCUIT	FUNCTION
1	20GY/BL	ENGINE OIL SENSOR SIGNAL
2	20BR/BK	SENSOR GROUND
3	20RD/YL	ENGINE OIL SENSOR 5 VOLT SUPPLY



EVAPORATOR TEMPERATURE SENSOR

EVAPORATOR TEMPERATURE SENSOR

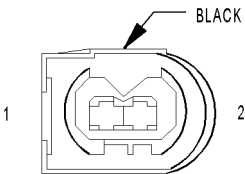
CAV	CIRCUIT	FUNCTION
1	18BR/DG	EVAPORATOR TEMPERATURE SENSOR SIGNAL
2	18BR/BL	SENSOR GROUND



FOG LAMP SWITCH

FOG LAMP SWITCH

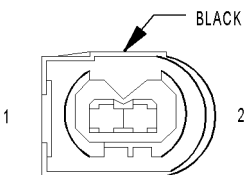
CAV	CIRCUIT	FUNCTION
1	16GY/DG/RD	LAMP DRIVER
2	-	-
3	16RD	FUSED B(+)
4	-	-
5	-	-
6	-	-
7	18RD/BK	FOG LAMP RELAY CONTROL
8	-	-
9	-	-
10	16BR	GROUND



FUEL INJECTOR NO. 1

FUEL INJECTOR NO. 1 - BLACK

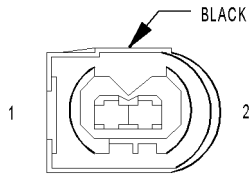
CAV	CIRCUIT	FUNCTION
1	14BK/BL (EXCEPT OBD)	FUEL INJECTOR NO. 1 CONTROL
1	16BK/RD (OBD)	FUEL INJECTOR NO. 1 LOW-SIDE CONTROL
2	14BK (EXCEPT OBD)	COMMON INJECTOR DRIVER NO. 1
2	16BL (OBD)	FUEL INJECTOR NO. 1 HIGH-SIDE CONTROL



FUEL INJECTOR NO. 2

FUEL INJECTOR NO. 2 - BLACK

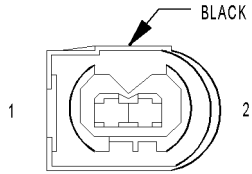
CAV	CIRCUIT	FUNCTION
1	14BK/VT (EXCEPT OBD)	FUEL INJECTOR NO. 2 CONTROL
1	16BK/BL (OBD)	FUEL INJECTOR NO. 2 LOW-SIDE CONTROL
2	14BL (EXCEPT OBD)	COMMON INJECTOR DRIVER NO. 2
2	16BK (OBD)	FUEL INJECTOR NO. 2 HIGH-SIDE CONTROL



FUEL INJECTOR NO. 3

FUEL INJECTOR NO. 3 - BLACK

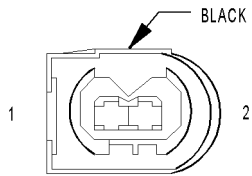
CAV	CIRCUIT	FUNCTION
1	14BK/RD (EXCEPT OBD)	FUEL INJECTOR NO. 3 CONTROL
1	16BK/DG (OBD)	FUEL INJECTOR NO. 3 LOW-SIDE CONTROL
2	14BK (EXCEPT OBD)	COMMON INJECTOR DRIVER NO. 1
2	16DG (OBD)	FUEL INJECTOR NO. 3 HIGH-SIDE CONTROL



FUEL INJECTOR NO. 4

FUEL INJECTOR NO. 4 - BLACK

CAV	CIRCUIT	FUNCTION
1	14BK/YL (EXCEPT OBD)	FUEL INJECTOR NO. 4 CONTROL
1	16BK/VT (OBD)	FUEL INJECTOR NO. 4 LOW-SIDE CONTROL
2	14BK (EXCEPT OBD)	COMMON INJECTOR DRIVER NO. 1
2	16BL/WT (OBD)	FUEL INJECTOR NO. 4 HIGH-SIDE CONTROL



FUEL INJECTOR NO. 5

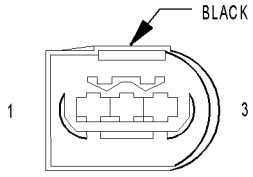
FUEL INJECTOR NO. 5 - BLACK

CAV	CIRCUIT	FUNCTION
1	14BK/DG (EXCEPT OBD)	FUEL INJECTOR NO. 5 CONTROL
1	16BK/YL (OBD)	FUEL INJECTOR NO. 5 LOW-SIDE CONTROL
2	14BL (EXCEPT OBD)	COMMON INJECTOR DRIVER NO. 2
2	16BK/WT (OBD)	FUEL INJECTOR NO. 5 HIGH-SIDE CONTROL

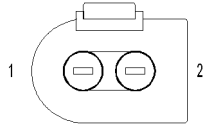
CONNECTOR NOT AVAILABLE

FUEL LEVEL SENSOR

CAV	CIRCUIT	FUNCTION
2	20BL/BK	FUEL LEVEL SENSOR SIGNAL (+)
3	20BR	FUEL LEVEL SENSOR SIGNAL RETURN



**FUEL
PRESSURE
SENSOR**



**FUEL
PRESSURE
SOLENOID**

CONNECTOR
NOT
AVAILABLE

CONNECTOR
NOT
AVAILABLE

CONNECTOR
NOT
AVAILABLE

FUEL PRESSURE SENSOR - BLACK

CAV	CIRCUIT	FUNCTION
1	20BR/GY	FUEL PRESSURE SENSOR GROUND
2	20DG/VT	FUEL PRESSURE SENSOR SIGNAL
3	20RD/DG	FUEL PRESSURE SENSOR 5 VOLT SUPPLY

FUEL PRESSURE SOLENOID

CAV	CIRCUIT	FUNCTION
1	20BK/WT	FUEL PRESSURE SOLENOID CONTROL
2	20RD/WT	FUEL PRESSURE SOLENOID 12 VOLT SUPPLY

FUEL PUMP (OBD)

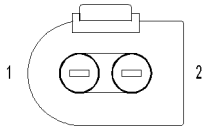
CAV	CIRCUIT	FUNCTION
1	14BK	FUEL PUMP RELAY OUTPUT
2	14BR	GROUND

FUEL PUMP RELAY (OBD)

CAV	CIRCUIT	FUNCTION
30	14RD/BK	FUSED B(+)
85	18BR/RD	FUEL PUMP RELAY CONTROL
86	18BK/RD	FUSED ENGINE CONTROL RELAY OUTPUT
87	14BK	FUEL PUMP RELAY OUTPUT
87A	-	-

FUEL QUANTITY CONTROL VALVE (OBD)

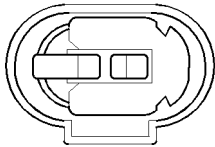
CAV	CIRCUIT	FUNCTION
1	20BK/WT	FUEL QUANTITY SOLENOID CONTROL
2	18RD/BK	FUEL QUANTITY SOLENOID 12 VOLT SUPPLY



FUEL SHUTDOWN SOLENOID

FUEL SHUTDOWN SOLENOID

CAV	CIRCUIT	FUNCTION
1	20BR/YL	FUEL SHUTDOWN SOLENOID CONTROL
2	18RD/BK	FUEL SHUTDOWN SOLENOID 12 VOLT SUPPLY



FUEL TEMPERATURE SENSOR

FUEL TEMPERATURE SENSOR

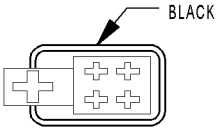
CAV	CIRCUIT	FUNCTION
1	18DG/BK	FUEL TEMPERATURE SENSOR GROUND
2	18BL/GY	FUEL TEMPERATURE SENSOR SIGNAL

CONNECTOR NOT AVAILABLE

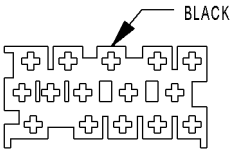
FUSE BLOCK NO. 1 C1

CAV	CIRCUIT	FUNCTION
1	INTERNAL	FOG LAMP SWITCH OUTPUT
3	INTERNAL	HIGH BEAM SWITCH OUTPUT
4	16RD/BL	FUSED RIGHT LAMP RELAY OUTPUT
5	INTERNAL	HIGH BEAM SELECT
6	INTERNAL	FUSED LEFT RELAY OUTPUT
8	INTERNAL	LAMP DRIVER
9	INTERNAL	FUSED IGNITION SWITCH OUTPUT (RUN-START)
10	INTERNAL	FUSED B(+)
11	INTERNAL	TURN SIGNAL RELAY OUTPUT
14	INTERNAL	GROUND
15	INTERNAL	WIPER SWITCH OUTPUT
16	INTERNAL	WIPER SWITCH OUTPUT
18	INTERNAL	FUSED IGNITION SWITCH OUTPUT (RUN-START)
19	INTERNAL	12 VOLT SUPPLY
21	INTERNAL	WIPER ON/OFF SWITCH OUTPUT
22	INTERNAL	FUSED B(+)

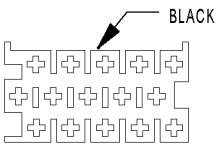
CONNECTOR
NOT
AVAILABLE



**FUSE
BLOCK
NO. 1 C3**



**FUSE
BLOCK
NO. 1 C4**



**FUSE
BLOCK
NO. 1 C5**

FUSE BLOCK NO. 1 C2

CAV	CIRCUIT	FUNCTION
1	14BK/RD	FUSED IGNITION SWITCH OUTPUT (RUN)
2	14BK/YL	FUSED IGNITION SWITCH OUTPUT (START)
3	16GY/DG	FUSED IGNITION SWITCH OUTPUT (ACC OFF)
4	14BK	FUSED IGNITION SWITCH OUTPUT (RUN-START)

FUSE BLOCK NO. 1 C3 - BLACK

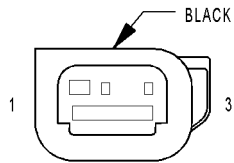
CAV	CIRCUIT	FUNCTION
1	-	-
2	16BK/VT	FUSED IGNITION SWITCH OUTPUT (RUN-START)
3	12VT	IGNITION SWITCH OUTPUT (START)
4	-	-
5	12RD	FUSED B(+)

FUSE BLOCK NO. 1 C4 - BLACK

CAV	CIRCUIT	FUNCTION
1	16RD/BL	FUSED B(+)
2	14RD/BK (OBD)	FUSED B(+)
3	-	-
4	16BK/RD	ENGINE CONTROL RELAY OUTPUT
5	16WT	FUSED HIGH BEAM SWITCH OUTPUT
6	-	-
7	16BK/YL	FUSED IGNITION SWITCH OUTPUT (RUN-START)
8	16BK/YL/WT	FOG LAMP RELAY SIGNAL
9	-	-
10	16WT	FUSED HIGH BEAM SWITCH OUTPUT
11	16RD/YL	FUSED IGNITION SWITCH OUTPUT (RUN-START)
12	16BR/BK	WIPER MOTOR CONTROL
13	-	-
14	16WT/BL/RD	FUSED IGNITION SWITCH OUTPUT (RUN-START)
15	-	-

FUSE BLOCK NO. 1 C5 - BLACK

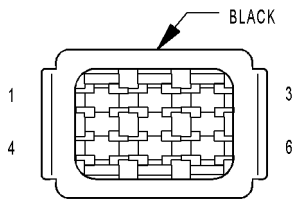
CAV	CIRCUIT	FUNCTION
1	16BK/BL/WT	FUSED IGNITION SWITCH (RUN-START)
2	12BK/BL	FUSED ENGINE CONTROL RELAY OUTPUT
3	18YL	FUSED HEADLAMP SWITCH OUTPUT
4	16GY/BK	LEFT LAMP RELAY OUTPUT
5	16BK/DG	RIGHT TURN SIGNAL
6	16GY/RD	RIGHT LAMP RELAY OUTPUT
7	16GY/DG	LAMP DRIVER
8	16BK/WT	LEFT TURN SIGNAL
9	-	-
10	-	-
11	-	-
12	-	-
13	16YL	FUSED HEADLAMP SWITCH OUTPUT
14	16BK/VT/RD	WASHER ON/OFF SWITCH OUTPUT
15	18YL/BL	ENGINE CONTROL RELAY SIGNAL



**GLOW
PLUG
CONTROL
MODULE
C1**

GLOW PLUG CONTROL MODULE C1 - BLACK

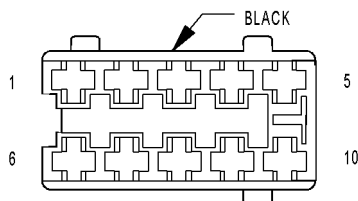
CAV	CIRCUIT	FUNCTION
1	18BR	GROUND
2	18BK/RD	GLOW PLUG MODULE CONTROL
3	-	-



**GLOW
PLUG
CONTROL
MODULE C2**

GLOW PLUG CONTROL MODULE C2 - BLACK

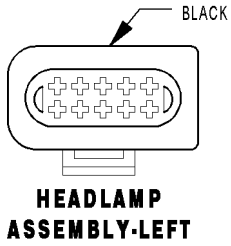
CAV	CIRCUIT	FUNCTION
1	14BK/DG	GLOW PLUG NO. 5 SUPPLY VOLTAGE
2	14BK/YL	GLOW PLUG NO. 4 SUPPLY VOLTAGE
3	14BK/RD	GLOW PLUG NO. 3 SUPPLY VOLTAGE
4	14BK/VT	GLOW PLUG NO. 2 SUPPLY VOLTAGE
5	14BK/BL	GLOW PLUG NO. 1 SUPPLY VOLTAGE
6	-	-



**HEADLAMP
ADJUST
SWITCH**

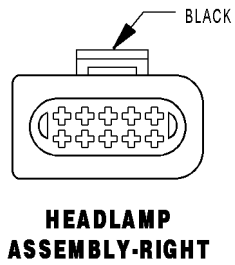
HEADLAMP ADJUST SWITCH - BLACK

CAV	CIRCUIT	FUNCTION
1	-	-
2	-	-
3	16BR	GROUND
4	-	-
5	16VT/WT	HEADLAMP ADJUST SWITCH OUTPUT
6	-	-
7	-	-
8	-	-
9	16GY/DG/RD	LAMP DRIVER
10	-	-



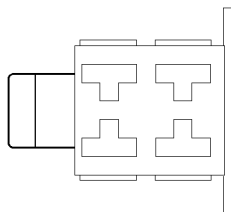
HEADLAMP ASSEMBLY-LEFT - BLACK

CAV	CIRCUIT	FUNCTION
1	16GY/DG/RD	LAMP DRIVER
2	16YL/WT	FOG LAMP RELAY OUTPUT
3	16BR	GROUND
4	16BR	GROUND
5	16VT/WT	HEADLAMP ADJUST SWITCH OUTPUT
6	16BK/WT	LEFT TURN SIGNAL
7	18YL/DG (DRL)	DAYTIME RUNNING LAMPS RELAY-LEFT SIDE OUTPUT
7	18YL (EXCEPT DRL)	HEADLAMP SWITCH OUTPUT
8	16BR	GROUND
9	16WT	FUSED HIGH BEAM SWITCH OUTPUT
10	16GY/BK	LEFT LAMP RELAY OUTPUT



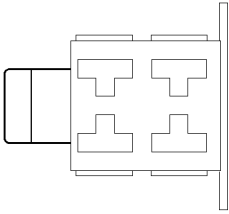
HEADLAMP ASSEMBLY-RIGHT - BLACK

CAV	CIRCUIT	FUNCTION
1	16GY/DG/RD	LAMP DRIVER
2	16YL/WT	FOG LAMP RELAY OUTPUT
3	16BR	GROUND
4	16BR	GROUND
5	16VT/WT	HEADLAMP ADJUST SWITCH OUTPUT
6	16BK/DG	RIGHT TURN SIGNAL
7	18YL/DG (DRL)	DAYTIME RUNNING LAMP RELAY-RIGHT SIDE OUTPUT
7	18YL (EXCEPT DRL)	HEADLAMP SWITCH OUTPUT
8	16BR	GROUND
9	16WT	FUSED HIGH BEAM SWITCH OUTPUT
10	16GY/RD	RIGHT LAMP RELAY OUTPUT



HEATED SEAT MODULE-DRIVER

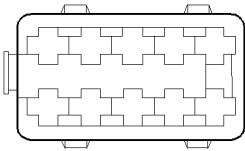
CAV	CIRCUIT	FUNCTION
1	16VT/DG	HEATED SEAT SWITCH-DRIVER LOW OUTPUT
2	16VT/RD	S366 COMMON CIRCUIT
3	16VT/RD	S366 COMMON CIRCUIT
4	16BR	GROUND



**HEATED
SEAT
MODULE-
PASSENGER**

HEATED SEAT MODULE-PASSENGER

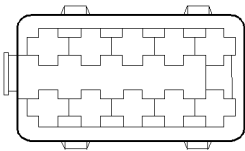
CAV	CIRCUIT	FUNCTION
1	16VT/BR	HEATED SEAT SWITCH-PASSENGER LOW OUTPUT
2	16VT/BK	S363 COMMON CIRCUIT
3	16VT/BK	S363 COMMON CIRCUIT
4	16BR	GROUND



**HEATED
SEAT
SWITCH-
DRIVER**

HEATED SEAT SWITCH-DRIVER

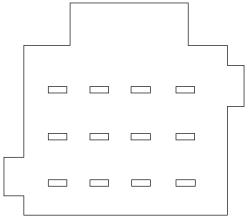
CAV	CIRCUIT	FUNCTION
1	16GY/DG/RD	LAMP DRIVER
2	-	-
3	16VT/YL	FUSED OPTIONAL EQUIPMENT RELAY OUTPUT
4	16VT/RD	S366 COMMON CIRCUIT
5	16BR	GROUND
6	-	-
7	16VT/DG	HEATED SEAT SWITCH-DRIVER LOW OUTPUT
8	16VT/YL	FUSED OPTIONAL EQUIPMENT RELAY OUTPUT
9	-	-
10	16BR	GROUND



**HEATED
SEAT
SWITCH-
PASSENGER**

HEATED SEAT SWITCH-PASSENGER

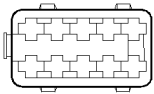
CAV	CIRCUIT	FUNCTION
1	16GY/DG/RD	LAMP DRIVER
2	-	-
3	16VT	FUSED OPTIONAL EQUIPMENT RELAY OUTPUT
4	16VT/BK	S363 COMMON CIRCUIT
5	16BR	GROUND
6	-	-
7	16VT/BR	HEATED SEAT SWITCH-PASSENGER LOW OUTPUT
8	16VT	FUSED OPTIONAL EQUIPMENT RELAY OUTPUT
9	-	-
10	16BR	GROUND



**HEATER
TIMER-
AUXILIARY**

HEATER TIMER-AUXILIARY

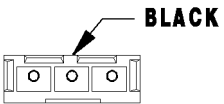
CAV	CIRCUIT	FUNCTION
1	16GY/DG/RD	LAMP DRIVER
2	16YL (EXCEPT PROGRAM TIMER)	HEATER TIMER (CUT-IN SIGNAL)
2	16YL (PROGRAM TIMER)	CABIN HEATER CONTROL
3	-	-
4	16BR	GROUND
5	-	-
6	16GY/RD	HEATER TIMER
7	-	-
8	-	-
9	16BR/WT	HEATER TIMER
10	16BK/BL/DG	FUSED IGNITION SWITCH OUTPUT
11	16RD	FUSED B(+)
12	16BR	GROUND



**HIGH
IDLE
SWITCH**

HIGH IDLE SWITCH

CAV	CIRCUIT	FUNCTION
1	16GY/DG/RD	LAMP DRIVER
2	-	-
3	18BR/WT	HIGH IDLE ON SIGNAL
4	18BR/WT	HIGH IDLE ON SIGNAL
5	-	-
6	-	-
7	18BR	GROUND
8	-	-
9	16BK/RD	FUSED OPTIONAL EQUIPMENT RELAY OUTPUT
10	-	-



**HOOD
AJAR
SWITCH**

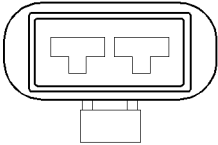
HOOD AJAR SWITCH - BLACK

CAV	CIRCUIT	FUNCTION
1	16BK/BL	HOOD AJAR SWITCH SENSE
2	-	-
3	16BR	GROUND

CONNECTOR
NOT
AVAILABLE

HORN

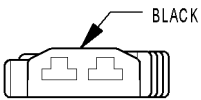
CAV	CIRCUIT	FUNCTION
1	18RD/DG	FUSED B(+)
2	18BR	GROUND
3	18BK/BL	SIREN SIGNAL CONTROL



**HORN
(VTSS)**

HORN (VTSS)

CAV	CIRCUIT	FUNCTION
1	16BK/BR	HORN RELAY OUTPUT
2	16BK/YL	FUSED IGNITION SWITCH OUTPUT (RUN-START)



**IGNITION
LOCK
SWITCH**

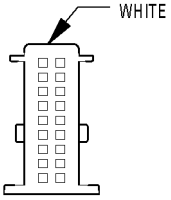
IGNITION LOCK SWITCH - BLACK

CAV	CIRCUIT	FUNCTION
1	20BR	GROUND
2	20BL/BK	KEY-IN IGNITION SWITCH SIGNAL

CONNECTOR
NOT
AVAILABLE

INSTRUMENT CLUSTER C1

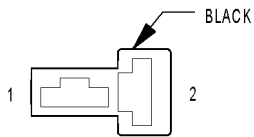
CAV	CIRCUIT	FUNCTION
1	20BR	FUEL LEVEL SENSOR SIGNAL RETURN
2	20BR/DG	AMBIENT TEMPERATURE SENSOR SIGNAL RETURN
4	20WT/GY	K-IC/ATC/HBM/CHM
5	20BR/BK	PARK BRAKE INDICATOR SIGNAL
7	20BK/DG	RIGHT TURN SIGNAL
10	20BL/BK	FUEL LEVEL SENSOR SIGNAL (+)
11	20BL/DG	AMBIENT TEMPERATURE SENSOR SIGNAL (+)
14	20DG/WT/BL	ENGINE COOLANT LEVEL SWITCH SIGNAL
15	20BR/WT	FRONT COURTESY LAMPS CONTROL
16	20YL/RD	SEAT BELT SWITCH SIGNAL
17	20DG	CAN C BUS (-)
18	20DG/WT	CAN C BUS (+)



**INSTRUMENT
CLUSTER
C2**

INSTRUMENT CLUSTER C2 - WHITE

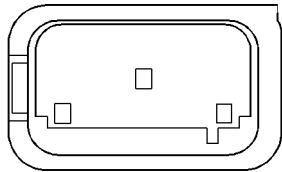
CAV	CIRCUIT	FUNCTION
1	-	-
2	-	-
3	20RD/YL	FUSED B(+)
4	20BR/WT	BRAKE WEAR SENSOR SIGNAL
5	-	-
6	18BR	GROUND
7	20GY/DG/RD	LAMP DRIVER
8	20BL/WT	FUSED HIGH BEAM SWITCH OUTPUT
9	20BL/RD/WT	VEHICLE SPEED SENSOR OUTPUT
10	20BK	FUSED IGNITION SWITCH OUTPUT (RUN-START)
11	20BL/BK	KEY-IN IGNITION SWITCH SIGNAL
12	-	-
13	20BK/WT	LEFT TURN SIGNAL
14	20BR/YL	BRAKE FLUID LEVEL INDICATOR SIGNAL
15	20BL	GENERATOR MONITOR SIGNAL
16	20YL	AIRBAG WARNING INDICATOR DRIVER
17	-	-
18	20BL/VT	D(+) RELAY NO. 1 CONTROL
18	20BL/VT	D(+) RELAY NO. 1 CONTROL



**INSTRUMENT
PANEL
SOCKET**

INSTRUMENT PANEL SOCKET - BLACK

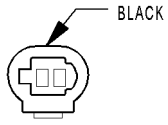
CAV	CIRCUIT	FUNCTION
1	16BR	GROUND
2	16RD	FUSED B(+)



**INTAKE AIR
PRESSURE
SENSOR
(OBD)**

INTAKE AIR PRESSURE SENSOR (OBD)

CAV	CIRCUIT	FUNCTION
1	20BR/RD	INTAKE PRESSURE SENSOR GROUND
2	20VT/DG	INTAKE PRESSURE SENSOR SIGNAL
3	20VT/RD	INTAKE PRESSURE SENSOR 5 VOLT SUPPLY



**INTAKE
AIR
TEMPERATURE
SENSOR**

INTAKE AIR TEMPERATURE SENSOR - BLACK

CAV	CIRCUIT	FUNCTION
1	18BR/DG	INTAKE AIR TEMPERATURE SENSOR GROUND
2	18DG/WT	INTAKE AIR TEMPERATURE SENSOR SIGNAL

CONNECTOR
NOT
AVAILABLE

INTERIOR LAMP NO. 1

CAV	CIRCUIT	FUNCTION
1	16DG	INTERIOR LAMPS DRIVER
2	16BR	GROUND

CONNECTOR
NOT
AVAILABLE

INTERIOR LAMP NO. 2

CAV	CIRCUIT	FUNCTION
1	16DG	INTERIOR LAMPS DRIVER
2	16BR	GROUND

CONNECTOR
NOT
AVAILABLE

INTERIOR LAMP NO. 3

CAV	CIRCUIT	FUNCTION
1	16DG	INTERIOR LAMPS DRIVER
2	16BR	GROUND

CONNECTOR
NOT
AVAILABLE

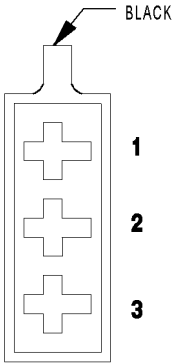
INTERIOR LAMP NO. 4

CAV	CIRCUIT	FUNCTION
1	16DG	INTERIOR LAMPS DRIVER
2	16BR	GROUND

CONNECTOR
NOT
AVAILABLE

INTERIOR LAMP NO. 5

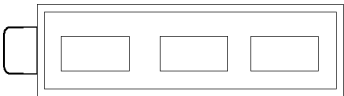
CAV	CIRCUIT	FUNCTION
1	16DG	INTERIOR LAMPS DRIVER
2	16BR	GROUND



INTERIOR LAMP-LEFT - BLACK

CAV	CIRCUIT	FUNCTION
1	16BR	GROUND
2	16RD/YL	FUSED B(+)
3	16BR/WT	DOOR AJAR SWITCH SENSE

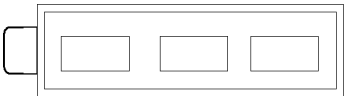
**INTERIOR
LAMP-
LEFT**



INTERIOR LAMP-MIDDLE FRONT

CAV	CIRCUIT	FUNCTION
1	16BR	GROUND
2	16RD/YL	FUSED B(+)
3	16BR/WT	DOOR AJAR SWITCH SENSE

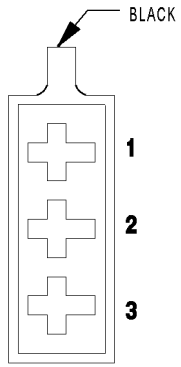
**INTERIOR
LAMP-
MIDDLE
FRONT**



INTERIOR LAMP-MIDDLE REAR

CAV	CIRCUIT	FUNCTION
1	16BR	GROUND
2	16RD/YL	FUSED B(+)
3	16BR/WT	DOOR AJAR SWITCH SENSE

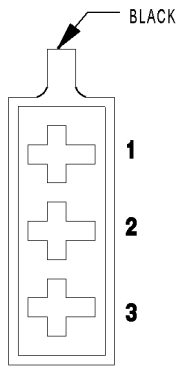
**INTERIOR
LAMP-
MIDDLE
REAR**



**INTERIOR
LAMP-
REAR
NO.1**

INTERIOR LAMP-REAR NO. 1 - BLACK

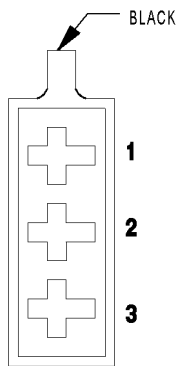
CAV	CIRCUIT	FUNCTION
1	16RD/YL	FUSED B(+)
2	16BR/WT	DOOR AJAR SWITCH SENSE
3	-	-



**INTERIOR
LAMP-
REAR
NO.2**

INTERIOR LAMP-REAR NO. 2 - BLACK

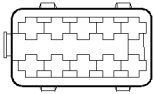
CAV	CIRCUIT	FUNCTION
1	16BR/WT	GROUND
2	16RD/YL	FUSED B(+)
3	16BR/WT	DOOR AJAR SWITCH SENSE



**INTERIOR
LAMP-
RIGHT**

INTERIOR LAMP-RIGHT - BLACK

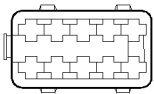
CAV	CIRCUIT	FUNCTION
1	16BR	GROUND
2	16RD/YL	FUSED B(+)
3	16BR/WT	DOOR AJAR SWITCH SENSE



**INTERIOR
LIGHT
SWITCH**

INTERIOR LIGHT SWITCH

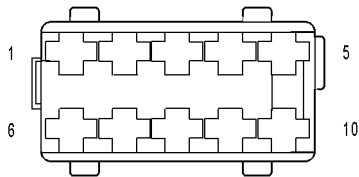
CAV	CIRCUIT	FUNCTION
1	16GY/DG/RD	LAMP DRIVER
2	-	-
3	16RD/YL	FUSED B(+)
4	-	-
5	-	-
6	-	-
7	16YL	INTERIOR LIGHT SWITCH OUTPUT
8	-	-
9	16DG	INTERIOR LAMPS DRIVER
10	16BR	GROUND



**INTERIOR
LIGHT
SWITCH-
DRIVER**

INTERIOR LIGHT SWITCH-DRIVER

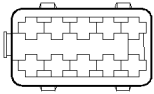
CAV	CIRCUIT	FUNCTION
1	-	-
2	-	-
3	16RD/YL	FUSED B(+)
4	-	-
5	-	-
6	-	-
7	16YL	INTERIOR LIGHT SWITCH OUTPUT
8	-	-
9	-	-
10	-	-



**INTERIOR
LIGHT
SWITCH-
PASSENGER**

INTERIOR LIGHT SWITCH-PASSENGER

CAV	CIRCUIT	FUNCTION
1	-	-
2	-	-
3	16RD/YL	FUSED B(+)
4	-	-
5	-	-
6	-	-
7	16YL	INTERIOR LIGHT SWITCH OUTPUT
8	-	-
9	-	-
10	-	-



INTERIOR LIGHT SWITCH-REAR

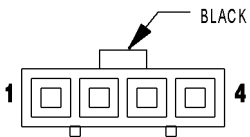
INTERIOR LIGHT SWITCH-REAR

CAV	CIRCUIT	FUNCTION
1	-	-
2	-	-
3	16RD/YL	FUSED B(+)
4	-	-
5	-	-
6	-	-
7	16YL	INTERIOR LIGHT SWITCH OUTPUT
8	-	-
9	-	-
10	-	-

CONNECTOR NOT AVAILABLE

INTERIOR LIGHTING CONNECTOR

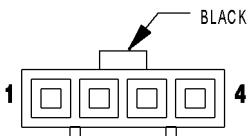
CAV	CIRCUIT	FUNCTION
1	16RD/YL	FUSED B(+)
2	16DG	INTERIOR LAMPS DRIVER
3	16BR	GROUND
4	16YL	INTERIOR LIGHT SWITCH OUTPUT



INTRUSION SENSOR NO. 1

INTRUSION SENSOR NO. 1 - BLACK

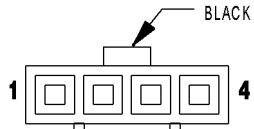
CAV	CIRCUIT	FUNCTION
1	20BR	GROUND
2	20DG/BK	INTRUSION SENSOR 1 SIGNAL
3	20DG/YL	INTRUSION SENSOR INTERFACE
4	20RD/DG	FUSED B(+)



INTRUSION SENSOR NO. 2

INTRUSION SENSOR NO. 2 - BLACK

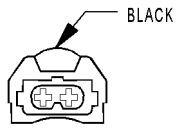
CAV	CIRCUIT	FUNCTION
1	20BR	GROUND
2	20GY/BK	INTRUSION SENSOR 2 SIGNAL
3	20DG/YL	INTRUSION SENSOR INTERFACE
4	20RD/DG	FUSED B(+)



**INTRUSION
SENSOR
NO. 3**

INTRUSION SENSOR NO. 3 - BLACK

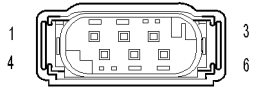
CAV	CIRCUIT	FUNCTION
1	20BR	GROUND
2	20DG/WT/BL	INTRUSION SENSOR 3 SIGNAL
3	20DG/YL	INTRUSION SENSOR INTERFACE
4	20RD/DG	FUSED B(+)



**KICK
DOWN
SWITCH**

KICK DOWN SWITCH - BLACK

CAV	CIRCUIT	FUNCTION
1	18BR/DG	KICKDOWN SWITCH SIGNAL
2	18BR (EXCEPT OBD)	SENSOR GROUND
2	18BR (OBD)	GROUND



**LATERAL
ACCELERATION
SENSOR**

LATERAL ACCELERATION SENSOR

CAV	CIRCUIT	FUNCTION
1	20YL/RD	SENSOR SIGNAL
2	20YL/WT	SENSOR SIGNAL
3	20RD/BL	POWER INPUT
4	20DG/YL	SENSOR SIGNAL
5	20BK/DG	SENSOR SIGNAL
6	20BR	GROUND

CONNECTOR
NOT
AVAILABLE

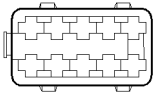
LICENSE PLATE LAMP NO. 1

CAV	CIRCUIT	FUNCTION
1	16GY/DG/RD	LAMP DRIVER
2	16BR	GROUND

CONNECTOR
NOT
AVAILABLE

LICENSE PLATE LAMP NO. 2

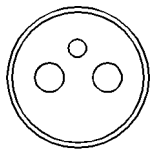
CAV	CIRCUIT	FUNCTION
1	16GY/DG/RD	LAMP DRIVER
2	16BR	GROUND



LOCKER SWITCH NO. 1

LOCKER SWITCH NO. 1

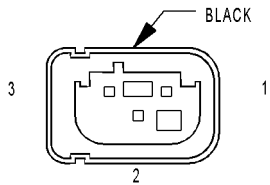
CAV	CIRCUIT	FUNCTION
1	16GY/DG/RD	LAMP DRIVER
2	-	-
3	16BK/RD	FUSED OPTIONAL EQUIPMENT RELAY OUTPUT
4	16BR/BK	LOCKER SWITCH NO. 2 OUTPUT
5	-	-
6	-	-
7	16VT/YL	DIFFERENTIAL LOCK SOLENOID CONTROL
8	-	-
9	-	-
10	20BR	GROUND



LOCKER SWITCH NO. 2

LOCKER SWITCH NO. 2

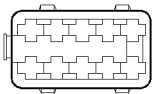
CAV	CIRCUIT	FUNCTION
1	16BR/BK	LOCKER SWITCH NO. 2 OUTPUT
2	16BK/RD	FUSED OPTIONAL EQUIPMENT RELAY OUTPUT



LOW FUEL PRESSURE SENSOR

LOW FUEL PRESSURE SENSOR - BLACK

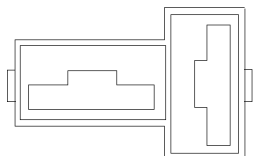
CAV	CIRCUIT	FUNCTION
1	18GY/DG	LOW FUEL PRESSURE SENSOR 5 VOLT SUPPLY
2	18GY/YL	LOW FUEL PRESSURE SENSOR GROUND
3	18GY/RD	LOW FUEL PRESSURE SENSOR SIGNAL



MAP/READING LAMP SWITCH

MAP/READING LAMP SWITCH

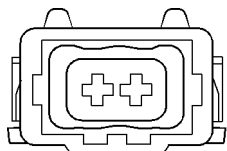
CAV	CIRCUIT	FUNCTION
1	16GY/DG/RD	LAMP DRIVER
2	-	-
3	16RD/YL	FUSED B(+)
4	-	-
5	-	-
6	-	-
7	16RD/YL	MAP/READING LAMP SWITCH OUTPUT
8	-	-
9	-	-
10	16BR	GROUND



**MARKER
LAMP
CONNECTOR**

MARKER LAMP CONNECTOR

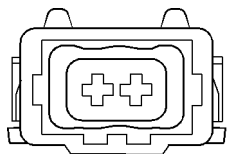
CAV	CIRCUIT	FUNCTION
1	16GY/RD	LAMP DRIVER
2	16BR	GROUND



**MARKER
LAMP NO. 1-
LEFT
FRONT**

MARKER LAMP NO. 1-LEFT FRONT

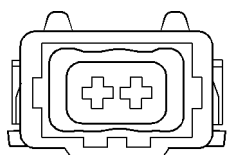
CAV	CIRCUIT	FUNCTION
1	16GY/BK	LAMP DRIVER
2	16BR	GROUND



**MARKER
LAMP NO. 1-
RIGHT
FRONT**

MARKER LAMP NO. 1-RIGHT FRONT

CAV	CIRCUIT	FUNCTION
1	16GY/RD	LAMP DRIVER
2	16BR	GROUND



**MARKER
LAMP NO. 2-
LEFT
FRONT**

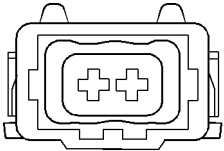
MARKER LAMP NO. 2-LEFT FRONT

CAV	CIRCUIT	FUNCTION
1	16GY/BK	LAMP DRIVER
2	16BR	GROUND

CONNECTOR
NOT
AVAILABLE

MARKER LAMP NO. 2-RIGHT FRONT

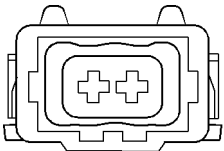
CAV	CIRCUIT	FUNCTION
1	16GY/RD	LAMP DRIVER
2	16BR	GROUND



**MARKER
LAMP-
LEFT
CENTER**

MARKER LAMP-LEFT CENTER

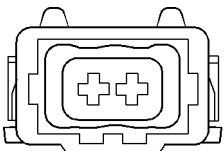
CAV	CIRCUIT	FUNCTION
1	16GY/BK	LAMP DRIVER
2	16BR	GROUND



**MARKER
LAMP-
LEFT
REAR**

MARKER LAMP-LEFT REAR

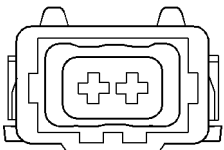
CAV	CIRCUIT	FUNCTION
1	16GY/BK	LAMP DRIVER
2	16BR	GROUND



**MARKER
LAMP-
RIGHT
CENTER**

MARKER LAMP-RIGHT CENTER

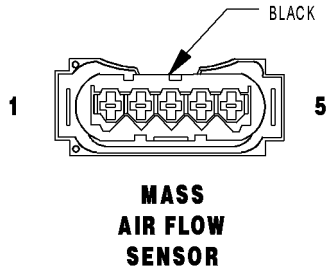
CAV	CIRCUIT	FUNCTION
1	16GY/RD	LAMP DRIVER
2	16BR	GROUND



**MARKER
LAMP-
RIGHT
REAR**

MARKER LAMP-RIGHT REAR

CAV	CIRCUIT	FUNCTION
1	16GY/RD/WT	LAMP DRIVER
2	16BR	GROUND



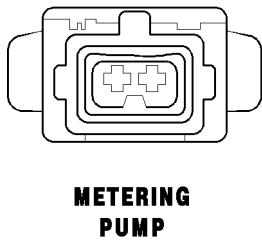
MASS AIR FLOW SENSOR - BLACK

CAV	CIRCUIT	FUNCTION
1	16YL/RD (OBD)	FUSED IGNITION SWITCH OUTPUT (RUN-START)
2	20YL/RD (EXCEPT OBD)	MASS AIR FLOW SENSOR 12 VOLT SUPPLY
2	20BR/VT (OBD)	MASS AIR FLOW SENSOR 5 VOLT SUPPLY
3	20BR/YL (EXCEPT OBD)	MASS AIR FLOW SENSOR GROUND
3	20YL/BL (OBD)	MASS AIR FLOW SENSOR GROUND
4	20BR/BK (EXCEPT OBD)	MASS AIR FLOW SENSOR 5 VOLT SUPPLY
4	20YL/DG (OBD)	MASS AIR FLOW SENSOR SIGNAL
5	20YL/DG (EXCEPT OBD)	MASS AIR FLOW SENSOR SIGNAL



MASTER DOOR LOCK SWITCH

CAV	CIRCUIT	FUNCTION
1	16GY/DG/RD	LAMP DRIVER
2	16WT/DG	PASSENGER DOOR AJAR INDICATOR DRIVER
3	16WT/YL	MASTER DOOR LOCK SWITCH SENSE-ALL DOORS
4	-	-
5	-	-
6	-	-
7	-	-
8	16WT/RD	MASTER DOOR LOCK SWITCH SENSE-PASSENGER DOORS
9	16WT/BK	DRIVER DOOR AJAR INDICATOR DRIVER
10	16BR	GROUND



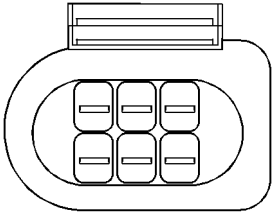
METERING PUMP

CAV	CIRCUIT	FUNCTION
1	16DG/RD	METERING PUMP DRIVER
2	16BR	GROUND

CONNECTOR NOT AVAILABLE

MICROPHONE CONNECTOR

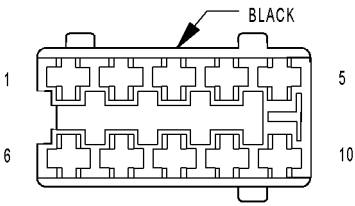
CAV	CIRCUIT	FUNCTION
1	10BR	MICROPHONE CONNECTOR CAV 1 TO CTEL CONNECTOR CAV 9
2	10BL	MICROPHONE CONNECTOR CAV 2 TO CTEL CONNECTOR CAV 18



**OXYGEN
SENSOR
(OBD)**

OXYGEN SENSOR (OBD)

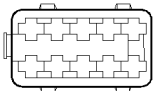
CAV	CIRCUIT	FUNCTION
1	20DG/BK	O2 1/1 PUMP CELL SIGNAL
2	20GY/WT	O2 1/1 VIRTUAL GROUND
3	20GY/BL	O2 1/1 HEATER CONTROL
4	20RD/DG	FUSED ENGINE CONTROL RELAY OUTPUT
5	20DG/YL	O2 1/1 PUMP CELL CONTROL
6	20GY	O2 1/1 SENSOR CELL SIGNAL



**PANIC
ALARM
SWITCH**

PANIC ALARM SWITCH - BLACK

CAV	CIRCUIT	FUNCTION
1	18GY/DG/RD	LAMP DRIVER
2	-	-
3	18BR	GROUND
4	-	-
5	-	-
6	-	-
7	18GY/WT	PANIC SWITCH SENSE
8	-	-
9	-	-
10	18BR	GROUND

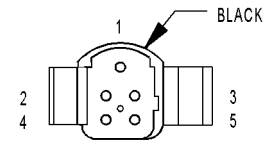


**PARKING
BRAKE
SWITCH**

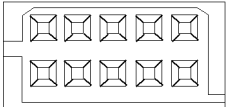
PARKING BRAKE SWITCH

CAV	CIRCUIT	FUNCTION
1	20BR/BK	PARK BRAKE INDICATOR SIGNAL
2	16BR	GROUND
3	-	-
4	-	-
5	-	-
6	-	-
7	-	-
8	-	-
9	-	-
10	-	-

CONNECTOR
NOT
AVAILABLE



**POWER
MIRROR
MOTOR-PASSENGER**



**POWER
MIRROR
SWITCH**

CONNECTOR
NOT
AVAILABLE

POWER MIRROR MOTOR-DRIVER

CAV	CIRCUIT	FUNCTION
1	18BK/RD	FUSED OPTIONAL EQUIPMENT RELAY OUTPUT
2	18BR	GROUND
3	18WT/DG	DRIVER MIRROR HORIZONTAL MOTOR DRIVER
4	18DG/RD	DRIVER MIRROR VERTICAL MOTOR DRIVER
5	18BL/BR	DRIVER MIRROR COMMON DRIVER

POWER MIRROR MOTOR-PASSENGER - BLACK

CAV	CIRCUIT	FUNCTION
1	18BK/RD	FUSED OPTIONAL EQUIPMENT RELAY OUTPUT
2	18BR	GROUND
3	18WT/GY	PASSENGER MIRROR HORIZONTAL MOTOR DRIVER
4	18DG	PASSENGER MIRROR VERTICAL MOTOR DRIVER
5	18BL/DG	PASSENGER MIRROR COMMON DRIVER

POWER MIRROR SWITCH

CAV	CIRCUIT	FUNCTION
1	18WT/GY	PASSENGER MIRROR HORIZONTAL MOTOR DRIVER
2	18WT/DG	DRIVER MIRROR HORIZONTAL MOTOR DRIVER
3	18BL/DG	PASSENGER MIRROR COMMON DRIVER
6	18BR	GROUND
7	18BK/RD	FUSED OPTIONAL EQUIPMENT RELAY OUTPUT
8	18DG/RD	DRIVER MIRROR VERTICAL MOTOR DRIVER
9	18DG	PASSENGER MIRROR VERTICAL MOTOR DRIVER
10	18BL/BR	DRIVER MIRROR COMMON DRIVER

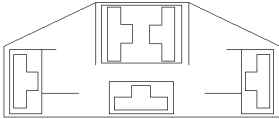
POWER WINDOW MOTOR-DRIVER

CAV	CIRCUIT	FUNCTION
1	16BK	DRIVER WINDOW DRIVER (UP)
2	16BL	DRIVER WINDOW DRIVER (DOWN)

CONNECTOR
NOT
AVAILABLE

POWER WINDOW MOTOR-PASSENGER

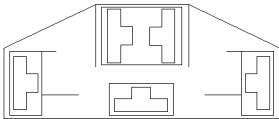
CAV	CIRCUIT	FUNCTION
1	16BL	PASSENGER WINDOW DRIVER (DOWN)
2	16BK	PASSENGER WINDOW DRIVER (UP)



**POWER
WINDOW
SWITCH-
DRIVER**

POWER WINDOW SWITCH-DRIVER

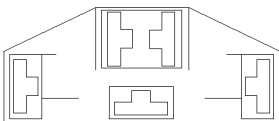
CAV	CIRCUIT	FUNCTION
1	16BL	DRIVER WINDOW DRIVER (DOWN)
2	16BK	DRIVER WINDOW DRIVER (UP)
3	16BR	GROUND
4	16BK/YL	FUSED OPTIONAL EQUIPMENT RELAY OUTPUT
5	16BR	GROUND



**POWER
WINDOW
SWITCH-
MASTER**

POWER WINDOW SWITCH-MASTER

CAV	CIRCUIT	FUNCTION
1	16BL/WT	MASTER PASSENGER WINDOW DRIVER (DOWN)
2	16BK/WT	MASTER PASSENGER WINDOW DRIVER (UP)
3	16BR	GROUND
4	16BK/YL/DG	FUSED OPTIONAL EQUIPMENT RELAY OUTPUT
5	16BR	GROUND

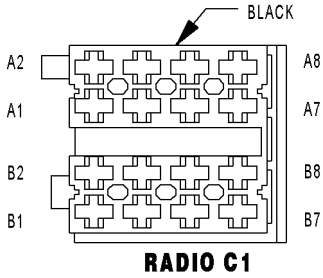


**POWER
WINDOW
SWITCH-
PASSENGER**

POWER WINDOW SWITCH-PASSENGER

CAV	CIRCUIT	FUNCTION
1	16BL	PASSENGER WINDOW DRIVER (DOWN)
2	16BK	PASSENGER WINDOW DRIVER (UP)
3	16BL/WT	MASTER PASSENGER WINDOW DRIVER (DOWN)
4	16BK/YL/DG	FUSED OPTIONAL EQUIPMENT RELAY OUTPUT
5	16BK/WT	MASTER PASSENGER WINDOW DRIVER (UP)

CONNECTOR
NOT
AVAILABLE

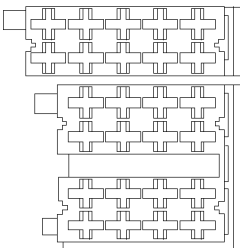


RADIO ANTENNA

CAV	CIRCUIT	FUNCTION
1	16BK	RADIO ANTENNA
2	16BK	RADIO ANTENNA W/SHIELD

RADIO C1 - BLACK

CAV	CIRCUIT	FUNCTION
A1	20BL/RD/WT	VEHICLE SPEED SENSOR OUTPUT
A2	20YL	K-TCM/RADIO
A3	18DG/YL/BK	CTEL MUTE
A4	16RD/YL	FUSED B(+)
A5	16BK	RADIO ANTENNA
A6	16GY/DG/RD	LAMP DRIVER
A7	16BK/RD	FUSED IGNITION SWITCH OUTPUT (ACC-RUN-START)
A8	16BR	GROUND
B1	16BR/GY	SPEAKER-RIGHT REAR
B2	16WT/GY	SPEAKER-RIGHT REAR
B3	18BR/RD	SPEAKER-RIGHT FRONT (+)
B4	18BK	SPEAKER-RIGHT FRONT (-)
B5	18BR/DG	SPEAKER-LEFT FRONT (+)
B6	18BR	SPEAKER-LEFT FRONT (-)
B7	16BR/BL	SPEAKER-LEFT REAR
B8	16WT/BL	SPEAKER-LEFT REAR



RADIO C2

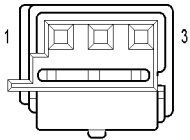
RADIO C2

CAV	CIRCUIT	FUNCTION
1	16BK	RADIO ANTENNA W/SHIELD
2	16BK	SHIELD

CONNECTOR
NOT
AVAILABLE

RADIO/CELLULAR ANTENNA

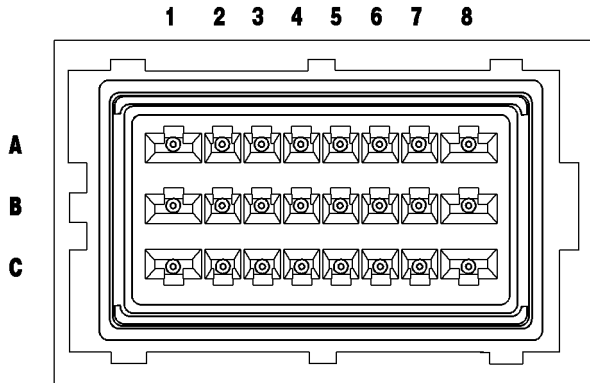
CAV	CIRCUIT	FUNCTION
1	16BK/RD	FUSED IGNITION SWITCH OUTPUT (ACC-RUN-START)
2	16BK	RADIO ANTENNA W/SHIELD
3	16BK	CELLULAR ANTENNA W/SHIELD



**RAIN
SENSOR**

RAIN SENSOR

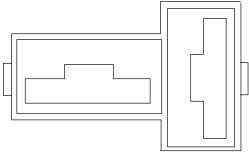
CAV	CIRCUIT	FUNCTION
1	20DG	CIRCUIT 30
2	20BR	RAIN SENSOR GROUND
3	20BK/DG	RAIN SENSOR INPUT SIGNAL



**RAIN
SENSOR
CONTROL
MODULE**

RAIN SENSOR CONTROL MODULE

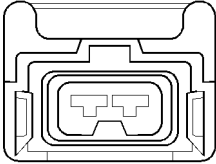
CAV	CIRCUIT	FUNCTION
A1	14BK/VT	SWITCHED POWER
A2	20WT	RAIN SENSOR INPUT SIGNAL
A3	18BK	WIPER STAGE 1 INPUT
A4	16BK/VT/RD	WASHER PUMP OUTPUT
A5	-	-
A6	-	-
A7	-	-
A8	14BK/DG	FRONT WIPER MOTOR STAGE 2 OUTPUT
B1	-	-
B2	18BK/GY/RD	FRONT WIPER MOTOR STAGE 2 INPUT
B3	18WT/VT	NO FUNCTION DEFINED
B4	18BK/VT	NO FUNCTION DEFINED
B5	-	-
B6	-	-
B7	-	-
B8	14BK/DB	FRONT WIPER MOTOR STAGE 1 OUTPUT
C1	14BR	GROUND
C2	16BK/VT/WT	FRONT WIPER MOTOR GROUND
C3	20RD	CIRCUIT 30
C4	-	-
C5	-	-
C6	-	-
C7	20YL	RAIN SENSOR GROUND
C8	-	-



**READING
LAMP
CONNECTOR**

READING LAMP CONNECTOR

CAV	CIRCUIT	FUNCTION
1	16BR	GROUND
2	16RD/YL	MAP/READING LAMP SWITCH OUTPUT



**RECIRCULATED
AIR SOLENOID
VALVE**

RECIRCULATED AIR SOLENOID VALVE

CAV	CIRCUIT	FUNCTION
1	16RD	RECIRCULATED AIR SOLENOID VALVE CONTROL
2	16BK	GROUND

CONNECTOR
NOT
AVAILABLE

REFRIGERANT PRESSURE SENSOR

CAV	CIRCUIT	FUNCTION
1	18BR/BL	SENSOR GROUND
2	20BR/RD	REFRIGERANT PRESSURE SENSOR FEEDBACK
3	20RD/BL	5 VOLT SUPPLY

CONNECTOR
NOT
AVAILABLE

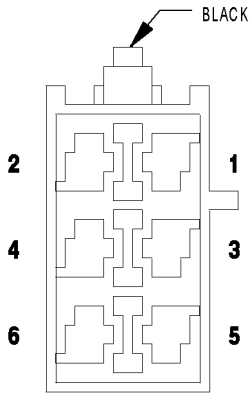
REMOTE KEYLESS ENTRY ANTENNA

CAV	CIRCUIT	FUNCTION
1	20BR	RKE ANTENNA
3	-	GROUND

**CONNECTOR
NOT
AVAILABLE**

ROLLOVER SWITCH ASSEMBLY

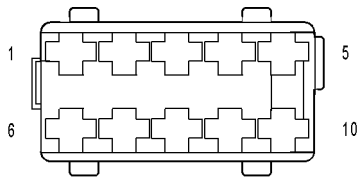
CAV	CIRCUIT	FUNCTION
1	14RD	FUSED B(+)
2	14BR	GROUND
4	16DG	DOSING PUMP CONTROL
6	16BK/BL/DG (EXCEPT PROGRAM TIMER)	FUSED OPTIONAL EQUIPMENT RELAY OUTPUT
6	16BL (PROGRAM TIMER)	CABIN HEATER CONTROL



**ROOF
A/C
CONTROL
MODULE**

ROOF A/C CONTROL MODULE - BLACK

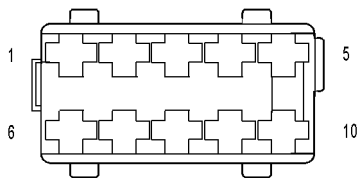
CAV	CIRCUIT	FUNCTION
1	12BR	GROUND
2	12RD	FUSED B(+)
3	16YL	12V A/C FAN MOTOR CONTROL-LOW SPEED
4	16VT	12V A/C FAN MOTOR CONTROL-HIGH SPEED
5	16BK	TEMPERATURE SENSOR SIGNAL
6	16BR	TEMPERATURE SWITCH SENSE



**ROOF
A/C
SWITCH**

ROOF A/C SWITCH

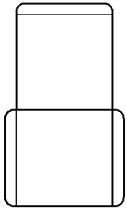
CAV	CIRCUIT	FUNCTION
1	16GY/DG/RD	LAMP DRIVER
2	-	-
3	16RD/BK	FUSED D(+) RELAY NO. 1 OUTPUT
4	16VT	A/C FAN MOTOR CONTROL-HIGH SPEED
5	-	-
6	-	-
7	16YL	A/C FAN MOTOR CONTROL-LOW SPEED
8	16RD/BK	FUSED D(+) RELAY NO. 1 OUTPUT
9	-	-
10	16BR	GROUND



**ROOF
A/C
TEMPERATURE
SETTING
CONTROL**

ROOF A/C TEMPERATURE SETTING CONTROL

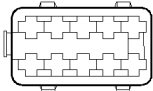
CAV	CIRCUIT	FUNCTION
1	-	-
2	-	-
3	16BR	TEMPERATURE SWITCH SENSE
4	-	-
5	16BK	TEMPERATURE SENSOR SIGNAL
6	-	-
7	-	-
8	-	-
9	16GY/DG/RD	LAMP DRIVER
10	-	-



**ROOF
FAN MOTOR**

ROOF FAN MOTOR

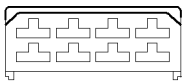
CAV	CIRCUIT	FUNCTION
1	16WT	MOTOR (+/-)
2	16BK	MOTOR (+/-)



**ROOF
FAN
SWITCH**

ROOF FAN SWITCH

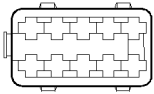
CAV	CIRCUIT	FUNCTION
1	16GY/DG/RD	LAMP DRIVER
2	-	-
3	16BK/BL/WT	FUSED OPTIONAL EQUIPMENT RELAY OUTPUT
4	16WT	MOTOR (+/-)
5	16BR	GROUND
6	16BR	GROUND
7	16BK	MOTOR (+/-)
8	16BK/BL/WT	FUSED OPTIONAL EQUIPMENT RELAY OUTPUT
9	-	-
10	16BR	GROUND



**ROOF
THERMOTRONIC
CONTROL
MODULE**

ROOF THERMOTRONIC CONTROL MODULE

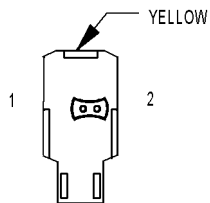
CAV	CIRCUIT	FUNCTION
1	16DG	TEMPERATURE SWITCH SENSE
2	-	-
3	16VT	ROOF A/C FAN RELAY CONTROL
4	16DG	ROOF A/C TEMPERATURE SETTING CONTROL GROUND
5	16RD/DG	ROOF A/C BLOWER STAGE 1 RELAY CONTROL
5	16BK/WT	ROOF A/C BLOWER STAGE 1 RELAY CONTROL
6	16WT	TEMPERATURE SENSOR SIGNAL
7	16BL	TEMPERATURE SENSOR SUPPLY VOLTAGE
8	16BR	TEMPERATURE SENSOR GROUND



**SEAT
BELT
SWITCH**

SEAT BELT SWITCH

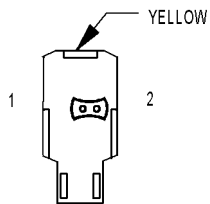
CAV	CIRCUIT	FUNCTION
1	16BR	GROUND
2	20YL/RD	SEAT BELT SWITCH SIGNAL
3	-	-
4	-	-
5	-	-
6	-	-
7	-	-
8	-	-
9	-	-
10	-	-



**SEAT BELT
TENSIONER-DRIVER**

SEAT BELT TENSIONER-DRIVER - YELLOW

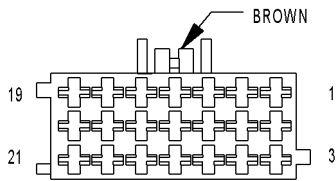
CAV	CIRCUIT	FUNCTION
1	20BL	DRIVER SEAT BELT TENSIONER LINE 2
2	20BR/YL	DRIVER SEAT BELT TENSIONER LINE 1



**SEAT BELT
TENSIONER-PASSENGER**

SEAT BELT TENSIONER-PASSENGER - YELLOW

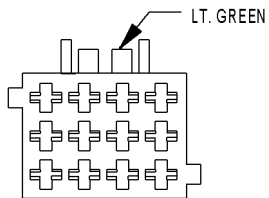
CAV	CIRCUIT	FUNCTION
1	20BL	PASSENGER SEAT BELT TENSIONER LINE 2
2	20BR	PASSENGER SEAT BELT TENSIONER LINE 1



**SECURITY
SYSTEM
MODULE
C1**

SECURITY SYSTEM MODULE C1 - BROWN

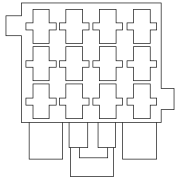
CAV	CIRCUIT	FUNCTION
1	16BK/WT	LEFT TURN SIGNAL
2	-	-
3	-	-
4	16BK/DG	RIGHT TURN SIGNAL
5	16BK/VT	FAN STAGE 1 RELAY
6	16WT/RD	WARM AIR AUXILIARY HEATER CONTROL
7	16RD/GY	FUSED B(+)
8	16BK/GY	FUSED OPTIONAL EQUIPMENT RELAY OUTPUT
9	18VT/DG	TOWING/INTRUSION SENSOR INDICATOR DRIVER
10	-	-
11	16BR/YL	FRONT COURTESY LAMPS CONTROL
12	16BR/WT	DOOR AJAR SWITCH SENSE
13	16RD/DG	FUSED B(+)
14	16BK/BL	HOOD AJAR SWITCH SENSE
15	18GY/WT	PANIC SWITCH SENSE
16	16BR	GROUND
17	18GY/BR	TOWING SENSOR SWITCH SENSE
18	18GY/YL	INTRUSION SENSOR SWITCH SENSE
19	-	-
20	16BK	DRIVER CYLINDER UNLOCK SENSE
21	16RD	DRIVER CYLINDER LOCK SENSE



**SECURITY
SYSTEM
MODULE
C2**

SECURITY SYSTEM MODULE C2 - LT. GREEN

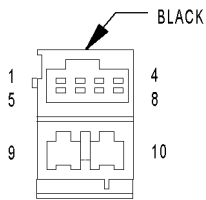
CAV	CIRCUIT	FUNCTION
1	16DG/YL	INTRUSION SENSOR INTERFACE
2	16GY/BL	WINDOW DEFOGGER-LEFT REAR OUTPUT
3	16GY	WINDOW DEFOGGER RELAY-RIGHT REAR OUTPUT
4	20DG/BK	INTRUSION SENSOR 1 SIGNAL
5	-	-
6	-	-
7	20GY/BK	INTRUSION SENSOR 2 SIGNAL
8	16GY/DG	K-CTM/SSM
9	18BK/BL	SIREN SIGNAL CONTROL
10	20DG/WT/BL	INTRUSION SENSOR 3 SIGNAL
11	16WT/BL	RKE INTERFACE
12	16WT/BL/RD	SECURITY SYSTEM INTERFACE



**SENTRY KEY
REMOTE
ENTRY
MODULE
(SKREEM)**

SENTRY KEY REMOTE ENTRY MODULE (SKREEM)

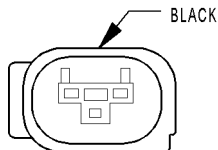
CAV	CIRCUIT	FUNCTION
1	18YL	RKE ANTENNA
2	16BR	GROUND
3	16RD/YL	FUSED B(+)
4	16BK/WT	LEFT TURN SIGNAL
5	20DG/WT	CAN C BUS (+)
6	20DG	CAN C BUS (-)
7	16BK/YL	FUSED IGNITION SWITCH OUTPUT (RUN-START)
8	20WT/DG	K-SKREEM
9	16WT/BL/RD (EXCEPT VTSS)	RKE INTERFACE
9	16WT/BL/RD (VTSS)	SECURITY SYSTEM INTERFACE
10	18DG/YL	TURN SIGNAL/ANTI-THEFT ALARM RELAY-LEFT/ RIGHT CONTROL
11	20BR	TRANSPONDER COIL (+)
12	-	TRANSPONDER COIL (-)



**SHIFTER
ASSEMBLY**

SHIFTER ASSEMBLY - BLACK

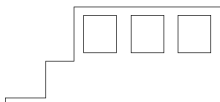
CAV	CIRCUIT	FUNCTION
1	-	-
2	20GY/DG/RD	LAMP DRIVER
3	20BL/DG	K-ABS/SHIFTER ASSEMBLY
4	18BR	GROUND
5	20BK/BL/RD	BRAKE LAMP SWITCH
6	20DG/WT	CAN C BUS (+)
7	20DG	CAN C BUS (-)
8	18BK/DG	TRANSMISSION RELAY OUTPUT
9	16WT/BL/RD	FUSED IGNITION SWITCH OUTPUT (RUN-START)
10	16WT/RD	BACK-UP LAMP



SIREN

SIREN - BLACK

CAV	CIRCUIT	FUNCTION
1	18RD/DG	FUSED B(+)
2	18BR	GROUND
3	18BK/BL	SIREN SIGNAL CONTROL



**SKREEM
TRANSPONDER**

CONNECTOR
NOT
AVAILABLE

CONNECTOR
NOT
AVAILABLE

CONNECTOR
NOT
AVAILABLE

CONNECTOR
NOT
AVAILABLE

SKREEM TRANSPONDER

CAV	CIRCUIT	FUNCTION
1	20BR	TRANSPONDER COIL (+)
2	-	TRANSPONDER COIL (-)

SPEAKER-LEFT FRONT DOOR ASSEMBLY C1

CAV	CIRCUIT	FUNCTION
1	18BL/YL	SPEAKER-LEFT FRONT (+) CTEL
2	18BL/DG	SPEAKER-LEFT FRONT (-) CTEL

SPEAKER-LEFT FRONT DOOR ASSEMBLY C2

CAV	CIRCUIT	FUNCTION
1	18BR/DG	SPEAKER-LEFT FRONT (+)
2	18BR	SPEAKER-LEFT FRONT (-)

SPEAKER-LEFT REAR

CAV	CIRCUIT	FUNCTION
1	16BR/BL	SPEAKER-LEFT REAR
2	16WT/BL	SPEAKER-LEFT REAR

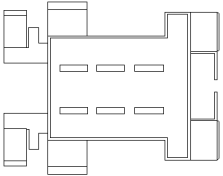
SPEAKER-RIGHT FRONT DOOR

CAV	CIRCUIT	FUNCTION
1	18BR/RD	SPEAKER-RIGHT FRONT (+)
2	18BK	SPEAKER-RIGHT FRONT (-)

CONNECTOR
NOT
AVAILABLE

SPEAKER-RIGHT REAR

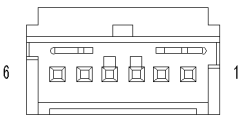
CAV	CIRCUIT	FUNCTION
1	16BR/GY	SPEAKER-RIGHT REAR
2	16WT/GY	SPEAKER-RIGHT REAR



**SPEED
CONTROL
SWITCH**

SPEED CONTROL SWITCH

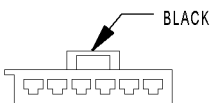
CAV	CIRCUIT	FUNCTION
1	18GY	OFF SIGNAL
2	18BK	VERIFICATION SIGNAL
3	18BL	RESUME SIGNAL
4	18YL	DECEL/SET SIGNAL
5	18DG	ACCEL/SET SIGNAL
6	18RD	S/C SWITCH 12 VOLT SUPPLY



**STEERING
ANGLE
SENSOR**

STEERING ANGLE SENSOR

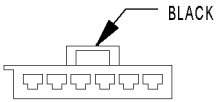
CAV	CIRCUIT	FUNCTION
1	20DG/WT	CAN C BUS (-)
2	-	-
3	20DG	CAN C BUS (+)
4	-	-
5	20BK/RD	FUSED OPTIONAL EQUIPMENT RELAY OUTPUT
6	20BR	GROUND



**TAIL LAMP
ASSEMBLY-
LEFT**

TAIL LAMP ASSEMBLY-LEFT - BLACK

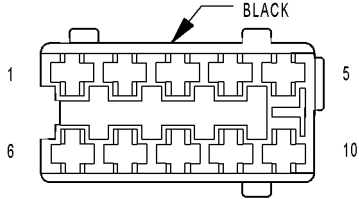
CAV	CIRCUIT	FUNCTION
1	-	-
2	16GY/BK	LEFT LAMP RELAY OUTPUT
3	16BK/RD	BRAKE LAMP SWITCH OUTPUT
4	16WT/RD	BACK-UP LAMP
5	16BK/WT	LEFT TURN SIGNAL
6	16BR	GROUND



**TAIL LAMP ASSEMBLY-
RIGHT**

TAIL LAMP ASSEMBLY-RIGHT - BLACK

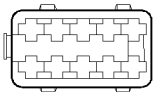
CAV	CIRCUIT	FUNCTION
1	-	-
2	16GY/RD	RIGHT LAMP RELAY OUTPUT
3	16BK/RD	BRAKE LAMP SWITCH OUTPUT
4	16WT/RD	BACK-UP LAMP
5	16BK/DG	RIGHT TURN SIGNAL
6	16BR	GROUND



TCS SWITCH (ASR)

TCS SWITCH (ASR) - BLACK

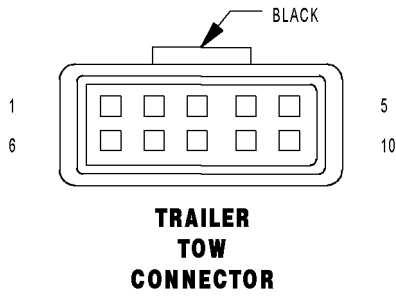
CAV	CIRCUIT	FUNCTION
1	16GY/DG/RD	LAMP DRIVER
2	-	-
3	18BK/BL	TCS SWITCH (ASR) SENSE
4	-	-
5	-	-
6	-	-
7	16BK/BL/DG	FUSED IGNITION SWITCH OUTPUT
8	-	-
9	-	-
10	16BR	GROUND



**TOWING/
INTRUSION
SENSOR
ON/OFF
SWITCH**

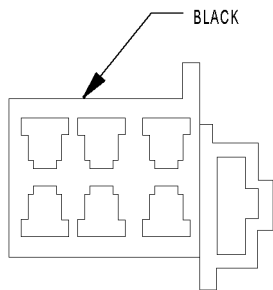
TOWING/INTRUSION SENSOR ON/OFF SWITCH

CAV	CIRCUIT	FUNCTION
1	18GY/DG/RD	LAMP DRIVER
2	-	-
3	18GY/YL	INTRUSION SENSOR SWITCH SENSE
4	18BR	GROUND
5	-	-
6	-	-
7	-	-
8	18GY/BR	TOWING SENSOR SWITCH SENSE
9	18VT/DG	TOWING/INTRUSION SENSOR INDICATOR DRIVER
10	18BR	GROUND



TRAILER TOW CONNECTOR - BLACK

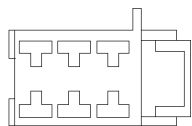
CAV	CIRCUIT	FUNCTION
1	-	-
2	16BK/DG/GY	STOP/TURN SIGNAL-RIGHT
3	16BK/RD	BACK-UP LAMP
4	14RD	FUSED B(+)
5	16GY/RD	RIGHT LAMP RELAY OUTPUT
6	-	-
7	14RD/BK	ELECTRIC BRAKES
8	14BR	GROUND
9	-	-
10	16BK/RD/WT	STOP/TURN SIGNAL-LEFT



TRAILER TOW CONTROL MODULE C1 (EXCEPT RETROFIT) - BLACK

CAV	CIRCUIT	FUNCTION
A	-	-
B	-	-
C	16BK/RD/WT	STOP/TURN SIGNAL-LEFT
D	16BK/DG/GY	STOP/TURN SIGNAL-RIGHT
E	-	-
F	14RD/BK	ELECTRIC BRAKES

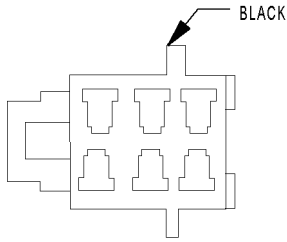
TRAILER TOW CONTROL MODULE C1 (EXCEPT RETROFIT)



TRAILER TOW CONTROL MODULE C1 (RETROFIT)

CAV	CIRCUIT	FUNCTION
2	16BK/DG/GY	STOP/TURN SIGNAL-RIGHT
5	16BK/RD/WT	STOP/TURN SIGNAL-LEFT
8	14RD	FUSED B(+)
11	16BK/WT	LEFT TURN SIGNAL
14	16BK/RD	BRAKE LAMP SWITCH OUTPUT
17	16BR	GROUND
20	16BK/DG	RIGHT TURN SIGNAL

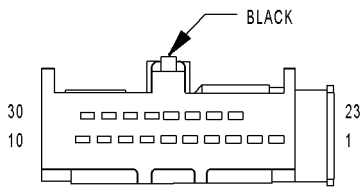
TRAILER TOW CONTROL MODULE C1 (RETROFIT)



TRAILER TOW CONTROL MODULE C2 (EXCEPT RETROFIT)

TRAILER TOW CONTROL MODULE C2 (EXCEPT RETROFIT) - BLACK

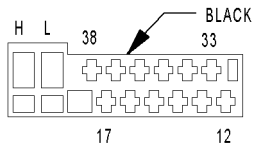
CAV	CIRCUIT	FUNCTION
A	16BK/RD	BRAKE LAMP SWITCH OUTPUT
B	16BK/DG	RIGHT TURN SIGNAL
C	16BR	GROUND
D	14RD	FUSED B(+)
E	16BK/WT	LEFT TURN SIGNAL
F	-	-



TRANSMISSION CONTROL MODULE C1

TRANSMISSION CONTROL MODULE C1 - BLACK

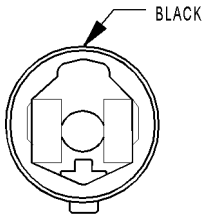
CAV	CIRCUIT	FUNCTION
1	20BL	K-TCM/RADIO
2	-	-
3	-	-
4	-	-
5	-	-
6	-	-
7	-	-
8	-	-
9	-	-
10	-	-
23	-	-
24	-	-
25	-	-
26	-	-
27	-	-
28	-	-
29	16BK/DG	TRANSMISSION RELAY OUTPUT
30	18BR	GROUND



TRANSMISSION CONTROL MODULE C2

TRANSMISSION CONTROL MODULE C2 - BLACK

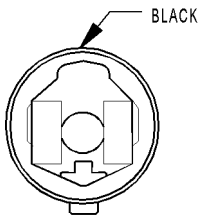
CAV	CIRCUIT	FUNCTION
12	20BL/GY	N2 INPUT SPEED SENSOR
13	20BK/BL	SENSOR SUPPLY VOLTAGE
14	16WT	1-2/4-5 SOLENOID CONTROL
15	16YL	3-4 SOLENOID CONTROL
16	16WT/BL	2-3 SOLENOID CONTROL
17	16YL/BL	TCC SOLENOID CONTROL
33	20PK	SENSOR GROUND
34	20GY/BL	TEMPERATURE SENSOR-P/N SWITCH
35	20BL/DG	N3 INPUT SPEED SENSOR
36	16BR/GY	MODULATION PRESSURE SOLENOID CONTROL
37	16BK/RD	SHIFT PRESSURE SOLENOID CONTROL
38	16BK	SOLENOID SUPPLY VOLTAGE
H	20DG/WT	CAN C BUS (+)
L	20DG	CAN C BUS (-)



**TURN
SIGNAL
NO. 1-
LEFT FRONT**

TURN SIGNAL NO. 1-LEFT FRONT - BLACK

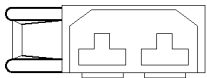
CAV	CIRCUIT	FUNCTION
1	16BK/WT	LEFT TURN SIGNAL
2	16BR	GROUND



**TURN
SIGNAL
NO. 1-
RIGHT FRONT**

TURN SIGNAL NO. 1-RIGHT FRONT - BLACK

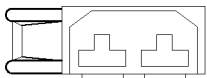
CAV	CIRCUIT	FUNCTION
1	16BK/DG	RIGHT TURN SIGNAL
2	16BR	GROUND



**TURN
SIGNAL NO. 2-
LEFT
FRONT**

TURN SIGNAL NO. 2-LEFT FRONT

CAV	CIRCUIT	FUNCTION
1	16BK/WT	LEFT TURN SIGNAL
2	16BR	GROUND



**TURN
SIGNAL NO. 2-
RIGHT
FRONT**

TURN SIGNAL NO. 2-RIGHT FRONT

CAV	CIRCUIT	FUNCTION
1	16BK/DG	RIGHT TURN SIGNAL
2	16BR	GROUND

CONNECTOR
NOT
AVAILABLE

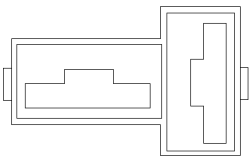
WARM AIR AUXILIARY HEATER ASSEMBLY C1

CAV	CIRCUIT	FUNCTION
1	16YL	HEATER TIMER (CUT-IN SIGNAL)
2	14RD	FUSED B(+)
3	20BK/YL	K-CTM/SSM
4	14BR	GROUND
5	16BR/WT	HEATER TIMER
6	16GY/RD	HEATER TIMER
7	16WT/RD	WARM AIR AUXILIARY HEATER CONTROL

CONNECTOR
NOT
AVAILABLE

WARM AIR AUXILIARY HEATER ASSEMBLY C2

CAV	CIRCUIT	FUNCTION
1	16DG/RD	METERING PUMP DRIVER
2	16BR	GROUND



WASHER PUMP MOTOR-FRONT

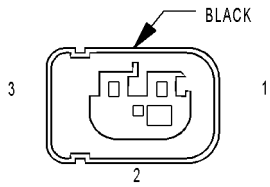
CAV	CIRCUIT	FUNCTION
1	16BR	GROUND
2	16BK/VT/RD	WASHER ON/OFF SWITCH OUTPUT

**WASHER
PUMP
MOTOR-
FRONT**

CONNECTOR
NOT
AVAILABLE

WATER CYCLE VALVE

CAV	CIRCUIT	FUNCTION
1	18BR/VT	WATER CYCLE VALVE CONTROL
2	18BR	GROUND



**WATER
IN FUEL
SENSOR**

WATER IN FUEL SENSOR - BLACK

CAV	CIRCUIT	FUNCTION
1	18BR	WATER IN FUEL SENSOR GROUND
2	18BR/RD	WATER IN FUEL SENSOR 12 VOLT SUPPLY
3	18BK/YL	WATER IN FUEL SENSOR SIGNAL

CONNECTOR
NOT
AVAILABLE

WHEEL SPEED SENSOR-LEFT FRONT

CAV	CIRCUIT	FUNCTION
1	18BK	LEFT FRONT WHEEL SPEED SENSOR (+)
2	18BR	LEFT FRONT WHEEL SPEED SENSOR (-)

CONNECTOR
NOT
AVAILABLE

WHEEL SPEED SENSOR-LEFT REAR

CAV	CIRCUIT	FUNCTION
1	18WT	LEFT REAR WHEEL SPEED SENSOR (+)
2	18BR	LEFT REAR WHEEL SPEED SENSOR (-)

CONNECTOR
NOT
AVAILABLE

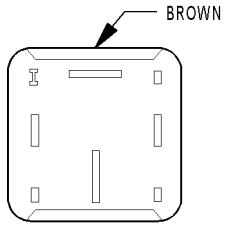
WHEEL SPEED SENSOR-RIGHT FRONT

CAV	CIRCUIT	FUNCTION
1	18BK	RIGHT FRONT WHEEL SPEED SENSOR (+)
2	18BR	RIGHT FRONT WHEEL SPEED SENSOR (-)

CONNECTOR
NOT
AVAILABLE

WHEEL SPEED SENSOR-RIGHT REAR

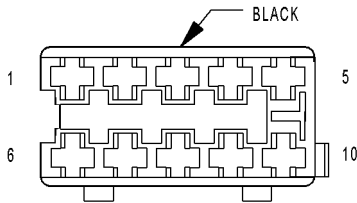
CAV	CIRCUIT	FUNCTION
1	18BK	RIGHT REAR WHEEL SPEED SENSOR (+)
2	18BR	RIGHT REAR WHEEL SPEED SENSOR (-)



**WINDOW
DEFOGGER
MODULE-
REAR**

WINDOW DEFOGGER MODULE-REAR - BROWN

CAV	CIRCUIT	FUNCTION
1	14RD/DG	FUSED B(+)
2	-	-
3	-	-
4	16RD/BK	FUSED D(+) RELAY NO. 1 OUTPUT
5	-	-
6	14RD/DG	FUSED B(+)
7	16BR	GROUND
8	-	-
9	-	-
10	16GY/RD (DEFOGGER RELAYS)	WINDOW DEFOGGER RELAY-RIGHT REAR CONTROL
10	16GY (EXCEPT DEFOGGER RELAYS)	WINDOW DEFOGGER-RIGHT REAR SIGNAL
11	-	-
12	-	-
13	16GY	WINDOW DEFOGGER SWITCH-REAR OUTPUT
14	-	-
15	16GY/DG (DEFOGGER RELAYS)	WINDOW DEFOGGER RELAY-LEFT REAR CONTROL
15	16GY/BL (EXCEPT DEFOGGER RELAYS)	WINDOW DEFOGGER-LEFT REAR OUTPUT
16	16GY/DG	LAMP DRIVER
17	-	-
18	-	-
19	-	-
20	-	-
21	-	-



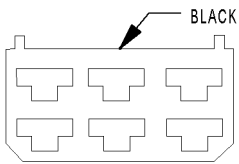
**WINDOW
DEFOGGER
SWITCH-
REAR**

WINDOW DEFOGGER SWITCH-REAR - BLACK

CAV	CIRCUIT	FUNCTION
1	18GY/DG/RD	LAMP DRIVER
2	-	-
3	16BK/YL	FUSED IGNITION SWITCH OUTPUT (RUN-START)
4	-	-
5	-	-
6	-	-
7	16GY	WINDOW DEFOGGER SWITCH-REAR OUTPUT
8	-	-
9	16GY/DG	LAMP DRIVER
10	18BR	GROUND

CONNECTOR
NOT
AVAILABLE

CONNECTOR
NOT
AVAILABLE



WIPER
MOTOR-FRONT

WINDOW DEFOGGER-LEFT REAR

CAV	CIRCUIT	FUNCTION
1	16GY (DEFOGGER RELAYS)	WINDOW DEFOGGER RELAY-LEFT REAR OUTPUT
1	16GY (EXCEPT DEFOGGER RELAYS)	WINDOW DEFOGGER-LEFT REAR OUTPUT
2	16BR	GROUND

WINDOW DEFOGGER-RIGHT REAR

CAV	CIRCUIT	FUNCTION
1	16GY (DEFOGGER RELAYS)	WINDOW DEFOGGER RELAY-RIGHT REAR OUTPUT
1	16GY (EXCEPT DEFOGGER RELAYS)	WINDOW DEFOGGER-RIGHT REAR SIGNAL
2	16BR	GROUND

WIPER MOTOR-FRONT - BLACK

CAV	CIRCUIT	FUNCTION
1	16BR	GROUND
2	16BR/BK	WIPER ON/OFF RELAY OUTPUT
3	16BK/VT	FUSED IGNITION SWITCH OUTPUT (RUN-START)
4	-	-
5	16BK	WIPER MOTOR CONTROL
6	16BK/GY/RD	WIPER SWITCH OUTPUT

8W-91 CONNECTOR/GROUND/SPLICE LOCATION

TABLE OF CONTENTS

page

CONNECTOR/GROUND/SPLICE LOCATION
 DESCRIPTION 1

CONNECTOR/GROUND/SPLICE LOCATION

DESCRIPTION

This section provides illustrations identifying connector, ground, and splice locations in the vehicle. Connector, ground, and splice indexes are provided.

Use the wiring diagrams in each section for connector, ground, and splice identification. Refer to the appropriate index for the proper figure number. For items that are not shown in this section N/S is placed in the Fig. column.

CONNECTORS

CONNECTOR NAME/NUMBER	COLOR	LOCATION	FIG.
A/C Auxiliary Fan	BK	Engine Compartment	5
A/C Auxiliary Fan Relay (In Relay Block)	BK	Under Driver Seat	N/S
Accelerator Pedal Position Sensor (OBD)	BK	On Gas Pedal	31
Accelerator Pedal Position Sensor	BK	At Pedal	24
Additional Heat Exchanger	BK		NS
Additional Heat Exchanger Switch	BK		NS
Air Outlet Temperature Sensor	BK	Engine Compartment (Right Rear)	11,33
Airbag Control Module	YL	Under Driver Seat	17,34,36
Airbag Squib-Driver	YL	Steering Wheel	17
Airbag Squib-Passenger	YL	Instrument Panel (Passenger Side)	N/S
Ambient Temperature Sensor	BK	Front Engine Compartment	2,33
Anti-Icing Switch		Center Roof A/C Unit	39
Ash Receiver Lamp		In Ash Tray	26
Automatic Temperature Control Module C1	BR	Instrument Panel	23
Automatic Temperature Control Module C2		Instrument Panel	23
Auxiliary Heater Relay (In Relay Block)		Under Driver Seat	N/S
Auxiliary Heater Control		Instrument Panel	20
Battery		Left Front Engine Compartment	2
Battery-Auxiliary	BK	Engine Compartment	3
Battery Relay-Auxiliary	BK	Engine Compartment	3
Blower Motor Resistor Block		Underhood Right (To The Instrument Panel)	10
Blower Motor Resistor Block C1		Instrument Panel	33
Blower Motor Resistor Block C2		Instrument Panel	33

CONNECTOR NAME/NUMBER	COLOR	LOCATION	FIG.
Blower Motor Resistor Block C3		Instrument Panel	33
Blower Motor-Front	BK	Underhood Right (To The Instrument Panel)	10
Blower Stage 1 Diode		Center Roof A/C Unit	39
Body Plug Connector		Under Driver Seat	N/S
Boost Pressure Sensor (Except OBD)	BK	Engine Compartment-Left	11
Boost Pressure Sensor (OBD)	BK		NS
Boost Pressure Servomotor (OBD)	BK		NS
Boost Pressure Solenoid	BK		48
Brake Fluid Level Switch	BK	Engine Compartment	8
Brake Lamp Switch C1	BK	Pedals Area (Brake)	31, 32
Brake Lamp Switch C2	BK	Pedals Area (Brake)	31, 32
Brake Wear Sensor-Left Front		On Left Front Wheel	49
Brake Wear Sensor-Left Rear		On Left Rear Wheel	49
Brake Wear Sensor-Right Front		On Right Front Wheel	49
Brake Wear Sensor-Right Rear		On Right Rear Wheel	49
C100	BK	Under Driver Seat	36
C101	YL	Under Instrument Panel-Left	31
C102 (Except OBD)	BK		NS
C103	BK	Lower Left Instrument Panel	29
C200	BK	Under Instrument Panel-Left	19
C201	BK	Under Instrument Panel-Left	19
C202	BK	Under Instrument Panel-Left	19
C203	BK	Instrument Panel	29
C204	GY	Upper Instrument Panel-Left	19
C205	YL	Under Driver Seat	29
C206	BR	Instrument Panel	29
C207	BR	Near Interior Light Switch-Driver	29
C208	WT	Near A/C Fan Switch	N/S
C209	BK	Instrument Panel	6
C210	BK	Instrument Panel	N/S
C211	BK	Instrument Panel	N/S
C214	BL	Instrument Panel	N/S
C215	BK	Instrument Panel	N/S
C216	BK	Instrument Panel	N/S
C217	BK	Instrument Panel	N/S
C218	BK	Under Driver Seat	36
C219	BK	Under Driver Seat	36
C220	WT	Instrument Panel	N/S
C221			NS
C224	BK	Left Rear Engine Compartment	29

CONNECTOR NAME/NUMBER	COLOR	LOCATION	FIG.
C225	BK	Left Rear Engine Compartment	29
C226	BK	Center Roof A/C Unit	39
C300	BK	Front Center Headliner	24
C301	BK	Left Lower Instrument Panel	29
C302		Center Roof A/C Unit	38
C303		Center Roof A/C Unit	39
C304		Center Roof A/C Unit	38
C305		Roof A/C Unit	39
C307		Center Roof A/C Unit	40
Cabin Heater Assembly C1		Instrument Panel	5
Cabin Heater Assembly C2		Instrument Panel	5
Camshaft Position Sensor	BK	Engine Compartment	13
Center High Mounted Stop Lamp		Rear Vehicle	53
Central Timer Module C1	PK	Instrument Panel	3
Central Timer Module C2	GR	Instrument Panel	3
Cigar Lighter	WT	Near Ash Tray	30
Cigar Lighter Lamp	WT	Near Cigar Lighter	N/S
Circulation Pump (Cabin Heater Module)	BK	Engine Compartment-Front	10
Circulation Pump (Rest System)			NS
Circulation Pump Diode		Under Driver Seat	29
Circulation Pump Relay (Relay Block)		Under Driver Seat	N/S
Clockspring C1		Steering Wheel	17
Clockspring C2	YL	Steering Wheel	17,31
Contact Plate-Left Rear License Plate		Rear Of Vehicle On Left	N/S
Contact Switch Door-Right Rear		Right Rear Door	N/S
Controller Antilock Brake		Engine Compartment-Left	2
Courtesy Lamp - Driver Door	BK	Driver Door	42
Courtesy Lamp - Left Sliding Door	BK	Left B-Pillar	42
Courtesy Lamp - Passenger Door	BK	Passenger Door	42
Courtesy Lamp - Right Sliding Door	BK	Right B-Pillar	42
Crankcase Heater	BK	Engine Compartment	N/S
Crankshaft Position Sensor	BK	On Engine	15
CTEL Antenna Connector			48
CTEL Connector	BK	Instrument Panel	N/S
Cylinder Lock Switch-Driver		Driver Door	43
D(+) Relay No.1 (Relay Block)	BK	Under Driver Seat	N/S
D(+) Relay No.2 (Relay Block)	BK		NS
Data Link Connector	BK	Under Dash	29
Daytime Running Lamp Relay-Left Side (Relay Block)	BK	Under Driver Seat	N/S
Daytime Running Lamp Relay-Right Side (Relay Block)	BK	Under Driver Seat	N/S

CONNECTOR NAME/NUMBER	COLOR	LOCATION	FIG.
Daytime Running Lamps Relay (Relay Block)	BK	Under Driver Seat	N/S
Differential Lock Solenoid Valve	BK	Underbody	51
Dome Lamp	BK	Dome Area	42
Door Jamb Switch-Driver		Driver Door	43
Door Jamb Switch-Left Sliding		Left Sliding Door	N/S
Door Jamb Switch-Passenger		Passenger Door	43
Door Jamb Switch-Right Sliding		Right Sliding Door	30
Door Jamb Switch-Tailgate		Tailgate	N/S
Door Lock Motor/Ajar Switch Assembly - Driver C1		Driver Door	43
Door Lock Motor/Ajar Switch Assembly - Driver C2		Driver Door	43
Door Lock Motor/Ajar Switch Assembly - Left Sliding C1		Left Sliding Door	46
Door Lock Motor/Ajar Switch Assembly - Left Sliding C2		Left Sliding Door	46
Door Lock Motor/Ajar Switch Assembly - Passenger C1		Passenger Door	46
Door Lock Motor/Ajar Switch Assembly - Passenger C2		Passenger Door	46
Door Lock Motor/Ajar Switch Assembly - Rear C1		Right Sliding Door	52
Door Lock Motor/Ajar Switch Assembly - Rear C2		Right Sliding Door	52
Door Lock Motor/Ajar Switch Assembly-Right Sliding C1		Cargo Door	45
Door Lock Motor/Ajar Switch Assembly-Right Sliding C2		Cargo Door	45
Dosing Pump		Engine Compartment	N/S
EGR Valve		Engine Compartment	14
Engine Control Module C1 (Except OBD)	BK	Instrument Panel	22
Engine Control Module C1 (OBD)	BK		NS
Engine Control Module C2 (Except OBD)	BK	Instrument Panel	22
Engine Control Module C2 (OBD)	BK		NS
Engine Control Module C3 (Except OBD)	BK	Instrument Panel	22
Engine Control Module C4 (Except OBD)	BK	Instrument Panel	22
Engine Control Module C5 (Except OBD)	GY	Instrument Panel	22
Engine Control Relay (Fuse Block No.1			NS
Engine Coolant Level Switch	BK	Engine Compartment	2, 8
Engine Coolant Temperature Sensor	BK	Engine Compartment	13
Engine Oil Sensor	BK	Engine Compartment	14
Evaporator Temperature Sensor	WT	Instrument Panel-Right	33
Fan Stage 1 Relay (Relay Block)	BK	Under Driver Seat	N/S
Fog Lamp Relay (Relay Block)	BK	Under Driver Seat	N/S
Fog Lamp Switch	BK	Instrument Panel	25

CONNECTOR NAME/NUMBER	COLOR	LOCATION	FIG.
Fuel Injector No. 1	BK	Engine Compartment	13
Fuel Injector No. 2	BK	Engine Compartment	12,13
Fuel Injector No. 3	BK	Engine Compartment	12,13
Fuel Injector No. 4	BK	Engine Compartment	12,13
Fuel Injector No. 5	BK	Engine Compartment	13
Fuel Level Sensor	BK	Underbody-Middle	51
Fuel Pressure Sensor	BK	Engine Compartment	12
Fuel Pressure Solenoid (Except OBD)	BK	Engine Compartment-Rear	11
Fuel Pump	BK		4
Fuel Pump Relay	BK		N/S
Fuel Quantity Control Valve			N/S
Fuel Quantity Control Valve (OBD)			11
Fuel Shutdown Solenoid			N/S
Fuel Temperature Sensor		Engine Compartment	13
Fuse Block No.1 C1		Under Fuse Block No.1	31
Fuse Block No.1 C2	BK	Under Fuse Block No.1	31
Fuse Block No.1 C3	BK	Under Fuse Block No.1	31
Fuse Block No.1 C4	BK	Under Fuse Block No.1	31
Fuse Block No.1 C5	BK	Under Fuse Block No.1	31
Fuses (Fuse Block No. 1)		Steering Column	28
Fuses (Fuse Block No. 2)		Under Driver Seat	35
Fuses (Fuse Block No. 3)		Under Driver Seat	N/S
Fuses (Fuse/Relay Block)		Under Driver Seat	35,36
Fuses (PDC)		Battery Area	8
Generator No.1		Engine Compartment	15
Generator No.2		Engine Compartment-Right	2,14
Glow Plug Control Module C1	BK	Engine Compartment-Left Front	1
Glow Plug Control Module C2	BK	Engine Compartment-Left Front	1
Glow Plug No. 1		On Engine	15
Glow Plug No. 2		On Engine	15
Glow Plug No. 3		On Engine	15
Glow Plug No. 4		On Engine	15
Glow Plug No. 5		On Engine	15
Headlamp Adjust Switch	BK	Instrument Panel	25
Headlamp Assembly-Left	BK	On Front Of Vehicle (Left Side)	3
Headlamp Assembly-Right	BK	On Front Of Vehicle (Right Side)	3
Heat Exchanger Switch	BK	Engine Compartment	N/S
Heated Seat Module-Driver	BK	Under Driver Seat	4
Heated Seat Module-Passenger	BK	Under Passenger Seat	4
Heated Seat Switch-Driver	BK	On Driver Seat	20

CONNECTOR NAME/NUMBER	COLOR	LOCATION	FIG.
Heated Seat Switch-Passenger	BK	On Passenger Seat	20
Heater Timer-Auxiliary	GN	Under Driver Seat	20
High Idle Switch	BK		NS
High Pressure Pump Shutoff Valve		Engine Compartment	12
High Pressure Switch	BK	Left Roof A/C Unit	39
Hood Ajar Switch	BK	Engine Compartment	30
Horn	BK	Engine Compartment	N/S
Horn (VTSS)	BK	Engine Compartment	4
Horn Relay (Relay Block)	BK	Under Driver Seat	N/S
Horn-Switch		Steering Wheel	17
Ignition Lock Switch	BK	Steering Column	N/S
Instrument Cluster C1		Instrument Panel	17
Instrument Cluster C2	WT	Instrument Panel	17
Instrument Panel Socket	BK	Instrument Panel	25
Intake Air Pressure Sensor (OBD)	BK	Engine Compartment-Left	N/S
Intake Air Temperature Sensor	BK		11
Interference Suppression Capacitor		Center Roof A/C Unit	39
Interior Lamp No. 1		Headliner-Front	N/S
Interior Lamp No. 2		Headliner-Front	N/S
Interior Lamp No. 3		Headliner-Front	N/S
Interior Lamp No. 4		Headliner-Front	48
Interior Lamp No. 5		Headliner-Front	48
Interior Lamp-Left	BK	Left Upper Side	42
Interior Lamp-Middle Front	BK	Headliner-Front	42
Interior Lamp-Middle Rear	BK	Headliner Middle Rear	42
Interior Lamp-Rear No. 1	BK	Headliner-Rear	42
Interior Lamp-Rear No. 2	BK	Headliner-Rear	42
Interior Lamp-Right	BK	Right Upper Side	42
Interior Lamp-Right Center	BK	Headliner-Rear	N/S
Interior Light Switch	BK	Instrument Panel	N/S
Interior Light Switch-Driver	BK	Driver Side Of Vehicle	26
Interior Light Switch-Passenger	BK	Passenger Side Of Vehicle	26
Interior Light Switch-Rear	BK	Rear Side Of Vehicle	48
Interior Lighting Connector		Instrument Panel	N/S
Intrusion Sensor No. 1	BK	Headliner-Front Body	37
Intrusion Sensor No. 2	WT	Headliner-Mid Body	37
Intrusion Sensor No. 3	WT	Headliner-Rear Body	37
K138 Relay (Relay Block)	BK	Under Driver Seat	N/S
Kick Down Switch	BK	Instrument Panel	24
Lamp Relay-Left (Relay Block)	BK	Under Driver Seat	N/S
Lamp Relay-Right (Relay Block)	BK	Under Driver Seat	N/S
Lateral Aceleration Sensor		Under Driver Seat	3, 32
License Plate Lamp No. 1		On Rear Of Vehicle	53

CONNECTOR NAME/NUMBER	COLOR	LOCATION	FIG.
License Plate Lamp No. 2		On Rear Of Vehicle	53
Locker Switch No. 1	BK	Under Body-Front	N/S
Locker Switch No. 2	BK	Under Body-Rear	51
Low Fuel Pressure Sensor	BK	Engine Compartment	12,14
Low Pressure Switch		Roof A/C Unit	39
Map/Reading Lamp Switch	BK	Instrument Panel	N/S
Marker Lamp Connector	K		NS
Marker Lamp No.1-Left Front	BK	Front Of Vehicle-Left Side	N/S
Marker Lamp No.1-Right Front	BK	Front Of Vehicle-Left Side	N/S
Marker Lamp No.2-Left Front	BK		5
Marker Lamp No.2-Right Front	BK		5
Marker Lamp-Left Center	BK	Front Of Vehicle-Center Left Side	53
Marker Lamp-Left Rear	BK	Rear Of Vehicle-Left Side	53
Marker Lamp-Right Center	BK	Front Of Vehicle-Center Right Side	53
Marker Lamp-Right Rear	BK	Rear Of Vehicle -Right Side	53
Mass Air Flow Sensor	BK	Engine Compartment	11
Master Door Lock Switch	BK	Center Of Instrument Panel	20
Metering Pump	BK	Instrument Panel	27
Microphone Connector		Instrument Panel	N/S
Multi-Function Switch		Steering Wheel	24
Optional Equipment Relay (Relay Block)		Under Driver Seat	23
Oxygen Sensor (OBD)	BK		6
Panic Alarm Switch	BK	Instrument Panel	20
Parking Brake Switch	BK	Under Instrument Panel	N/S
Power Mirror Motor-Driver	BK	In Driver Door	27
Power Mirror Motor-Passenger	BK	In Passenger Door	27
Power Mirror Switch	BK		23
Power Window Motor-Driver	BK		44
Power Window Motor-Passenger	BK		44
Power Window Switch-Driver	BK		23
Power Window Switch-Master	BK		23
Power Window Switch-Passenger	BK		6
Radio Antenna		Behind Radio	48
Radio C1	BK	Behind Radio	20
Radio C2	BK	Behind Radio	20
Radio/Cellular Antenna		Behind Radio	48
Rain Sensor		Front Center Roof	25
Reading Lamp Connector	WT	Instrument Panel	N/S
Recirculated Air Solenoid Valve	BK	Underhood Right (To The Instrument Panel)	10
Refrigerant Pressure Sensor		Engine Compartment-Left Front	8,10

CONNECTOR NAME/NUMBER	COLOR	LOCATION	FIG.
Remote Keyless Entry Antenna			NS
Relay Block		Under Driver Seat	35, 36
Rollover Switch Assembly		Instrument Panel	N/S
Roof A/C Blower 1 Fuse		Center Roof A/C Unit	41
Roof A/C Blower 2 Fuse		Center Roof A/C Unit	41
Roof A/C Blower Stage 1 Relay		Center Roof A/C Unit	40
Roof A/C Blower Stage 1 and 2 Relay		Center Roof A/C Unit	40
Roof A/C Blower Stage 2 Relay		Center Roof A/C Unit	40
Roof A/C Compressor Fuse		Center Roof A/C Unit	41
Roof A/C Compressor Relay		Center Roof A/C Unit	40
Roof A/C Control Module	BK	Instrument Panel	N/S
Roof A/C Fan Fuse		Center Roof A/C Unit	41
Roof A/C Fan Relay		Center Roof A/C Unit	40
Roof A/C Fuse		Center Roof A/C Unit	41
Roof A/C Switch		Instrument Panel	20
Roof A/C Temperature Setting Control		Center Stack	20
Roof Fan Motor	BK	In Headliner	30
Roof Fan Switch	BK		27
Roof Thermotronic Control Module	BK	Center Roof A/C Unit	40
Seat Belt Switch	BK	Driver Seat Belt Lock	26
Seat Belt Tensioner-Driver	YL	Driver Seat-Back	34
Seat Belt Tensioner-Passenger	YL	Passenger Seat-Back	34, 36
Security System Module C1	BR	Instrument Panel	3
Security System Module C2	GR	Instrument Panel	3
Sentry Key Remote Entry Module (SKREEM)	GR	Instrument Panel	3
Shifter Assembly	BK	Center Console	22
Siren	BK	Engine Compartment-Left	1
SKREEM Transponder	BK		NS
Speaker-Left Front Door Assembly C1		Engine Compartment-Left	44
Speaker-Left Front Door Assembly C2		In Left Front Door	44
Speaker-Left Rear		Rear Of Vehicle On Left Side	45
Speaker-Right Front Door		In Right Front Door	44
Speaker-Right Rear		Rear Of Vehicle On Right Side	45
Speed Control Switch	BK	Steering Wheel Controls	17
Starter Motor		On Engine	3
Starter Motor Relay (Fuse/Relay Block)		In Fuse/Relay Block	N/S
Steering Angle Sensor		Steering Column	24, 32
Tail Lamp Assembly-Left	BK	Rear Of Vehicle On Left Side	53
Tail Lamp Assembly-Right	BK	Rear Of Vehicle On Right Side	53

CONNECTOR NAME/NUMBER	COLOR	LOCATION	FIG.
TCS Switch (ASR)	BK	Center Of Instrument Panel	20
Temperature Sensor	WT	Center Roof A/C Unit	40
Thermotronic Control Module	BK		N/S
Thermotronic Diode		Center Roof A/C Unit	39
Time Delay Relay		Under Driver Seat	N/S
Towing/Intrusion Sensor ON/OFF Switch	BK	Instrument Panel	20
Trailer Tow Connector		Under Rear Of Vehicle	N/S
Trailer Tow Control Module C1	BK	Rear Of Vehicle	N/S
Trailer Tow Control Module C2	BK	Rear Of Vehicle	N/S
Transmission Control Module C1	BK	Engine Compartment	3
Transmission Control Module C2	BK	Engine Compartment	3
Transmission Relay (Relay Block)		In Fuse Block No.1	N/S
Transmission Solenoid Assembly	BK	Transmission	16
Turn Signal Lamp No.1-Left Front	BK	Front Of Vehicle On Left Side	N/S
Turn Signal Lamp No.1-Right Front	BK	Front Of Vehicle On Right Side	N/S
Turn Signal Lamp No.2-Left Front	BK	Front Of Vehicle On The Left Side	45
Turn Signal Lamp No.2-Right Front	BK	Front Of Vehicle On The Right Side	45
Turn Signal Relay (Fuse Block No.1)		In Fuse Block No.1	N/S
Turn Signal/Anti-Theft Alarm Relay-Left (Relay Block)	BK	Under Driver Seat	N/S
Turn Signal/Anti-Theft Alarm Relay-Right (Relay Block)	BK	Under Driver Seat	N/S
Warm Air Auxiliary Heater Assembly C1		Instrument Panel	33
Warm Air Auxiliary Heater Assembly C2		Instrument Panel	33
Washer Pump Motor-Front	WT	Engine Compartment	25
Water Cycle Valve	BK	Underhood (To The Instrument Panel)	10
Water In Fuel Sensor		Engine Compartment	14
Wheel Speed Sensor-Left Front		Left Front Wheel	2
Wheel Speed Sensor-Left Rear		Left Rear Wheel	2
Wheel Speed Sensor-Right Front		Right Front Wheel	49
Wheel Speed Sensor-Right Rear		Right Rear Wheel	49
Window Defogger Module - Rear	BK	Rear Of Vehicle	N/S
Window Defogger Relay-Left Rear (Relay Block)	BK	Under Driver Seat	N/S
Window Defogger Relay-Right Rear (Relay Block)	BK	Under Driver Seat	N/S
Window Defogger Switch - Rear	BK	Instrument Panel	25
Window Defogger-Left Rear		On Left Rear Window	53
Window Defogger-Right Rear		On Right Rear Window	53
Wiper Motor-Front	BK	Underhood (To The Window)	8

CONNECTOR NAME/NUMBER	COLOR	LOCATION	FIG.
Wiper On/Off Relay (Fuse Block No. 1)		In Fuse Block No.1	N/S
Wiper/Turn Signal/Engine Start Control Module (In Fuse Block 1)		In Fuse Block No.1	N/S

GROUNDS

GROUND NUMBER	LOCATION	FIG.
G100	Underhood-Left Front	52
G101	Underhood-Right Front	52
G102	Underhood-Right Front	52
G200	Engine Compartment-Left	8,10, 52
G201	Under Driver Seat	52
G202	Under Driver Seat	36, 52
G203	Dash	19, 52
G300	Right Rear-Body	52
G301	Right Rear-Body Top	52
G302	Engine Compartment-Left Front	52
G303	Left Front Instrument Panel	5
G304	Front Center Headliner	5

SPLICES

SPLICE NUMBER	LOCATION	FIG.
S100	Under Drivers Seat	18
S101	Instrument Panel	18
S102	Under Drivers Seat	18
S103	Under Drivers Seat	18
S104	Near Headlamp Assembly-Left	27
S105	Engine Compartment-Left	7
S106	Near Wheel	48
S108	Instrument Panel	18
S175	Engine Compartment-Left	18
S176	Engine Compartment-Left	18
S177	Engine Compartment-Left	18
S178	Engine Compartment-Left	18
S180	Left Plenum	27
S200	Engine Compartment-Left	1, 9
S201	Instrument Panel	21
S202	Instrument Panel	21
S203	Instrument Panel	18
S204	Near Brake Lamp Switch	18
S205	Instrument Panel	18
S206	Instrument Panel	18
S207	Near Time Delay Relay	18
S208	Near Time Delay Relay	18

SPLICE NUMBER	LOCATION	FIG.
S210	Near Radio	21
S211	Near Heater Timer-Auxiliary	21
S212	Near Security System Module	50
S213	Instrument Panel	18, 50
S214	Near Security System Module	18
S215	Instrument Panel	18
S216	Instrument Panel	18
S217	Near Engine Control Module	18
S218	Instrument Panel	21
S219	Instrument Panel	18
S220	Near Central Timer Module	18
S221	Instrument Panel	18
S222	Near Security System Module	18
S223	Instrument Panel	18
S224	Instrument Panel	18
S225	Instrument Panel	18
S226	Near Turn Signal/Anti-Theft Alarm Relay-Left	18
S227	Near Sentry Key Remote Entry Module	18
S228	Instrument Panel	18
S229	Near C202	9
S230	Center Instrument Panel	23, 25
S231	Left Plenum	27
S232	Left Plenum	27
S250	Near Turn Signal/Anti-Theft Alarm Relay-Left	18
S251	Near Trailer Tow Control Module	9
S252	Near Trailer Tow Control Module	21
S253	Instrument Panel	21, 22
S254	Near Interior Lamp No.5	9
S255	Near Control Timer Module	27
S256	Near A/C Roof-Switch	18, 21
S257	Near Data Link Connector	18
S258	Near Transmission Control Module	18
S259	Under Drivers Seat	18
S260	Under Drivers Seat	18
S261	Near Data Link Connector	18
S262	Under Drivers Seat	18
S299	Instrument Panel	N/S
S300	Near Heated Seat Switch-Driver	21
S301	Near Heated Seat Switch-Passenger	21
S302	Under Drivers Seat	18
S303	Near Power Window Switch-Driver	21
S304	Near Power Window Motor-Driver	21
S305	Near Power Window Motor-Driver	21

SPLICE NUMBER	LOCATION	FIG.
S306	Near Locker Switch No.2	18
S307	Near Fuse/Relay Block	18
S308	Near Interior Lamp No.3	50
S309	Near Interior Lamp-Right	50
S310	Near Fuse Block No.2	18, 21
S311	Under Drivers Seat	18
S312	Near Wheel Speed Sensor-Left Rear	47
S313	Near Wheel Speed Sensor-Left Rear	47
S314	Near Wheel Speed Sensor-Right Rear	47
S315	Near Wheel Speed Sensor-Right Rear	47
S316	Near Headlamp Assembly-Left	18
S317	Under Drivers Seat	18
S318	Near Marker Lamp-Left Rear	7
S319	Near Tail Lamp Assembly-Left	7
S320	Under Body-Rear Center	7
S321	Near Power Window Switch-Passenger	23, 25
S322	Instrument Panel	18
S323	Near Brake Wear Sensor-Left Rear	47
S324	Near Interior Lamp No.3	N/S
S325	Near Map/Reading Lamp Switch	21
S326	Top Body- Front Center	42
S327	Near Security System Module	18
S328	Near Central Timer Module	18
S329	Near Central Timer Module	18
S330	Near Security System Module	18
S331	Near Security System Module	18
S332	Near Brake Wear Sensor-Left Rear	47
S333	Instrument Panel	18
S350	Near Trailer Tow Connector	18
S351	Near Trailer Tow Control Module	18
S352	Near Trailer Tow Control Module	18
S353	Near Dome Lamp	21
S354	Body-Upper Right Center	42, 50
S355	Near Window Defogger Module-Rear	18, 23
S356	Near Headlamp Assembly-Left	18
S357	Near Central Timer Module	23
S358	Near Trailer Tow Control Module	18
S359	Near Interior Light Switch-Passenger	9
S360	Near Interior Light Switch-Rear	9
S361	Near Time Delay Relay	18
S362	Near Circulation Pump Diode	18
S363	Near Heated Seat Module-Passenger	47
S364	Near CTEL Connector	21

SPLICE NUMBER	LOCATION	FIG.
S365	Near A/C Fan Switch	21
S366	Near Heated Seat Module-Driver	18
S375	Under Driver Seat	23
S376	Above pedals	24
S377	Front Center Headliner	24
S378	Left Plenum	27

81119909

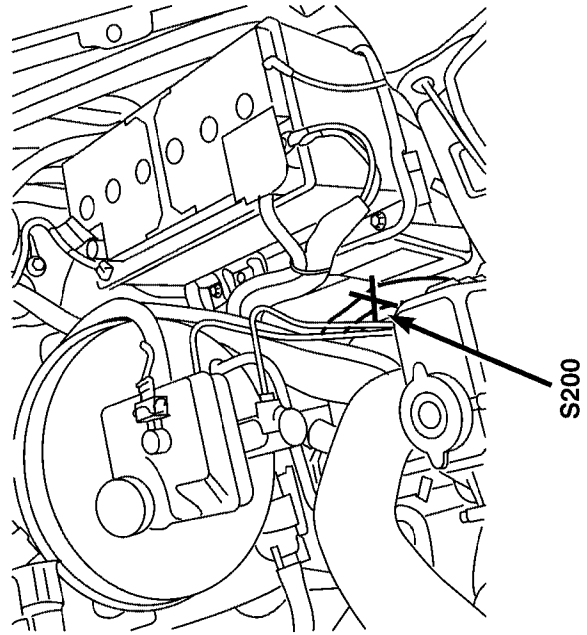
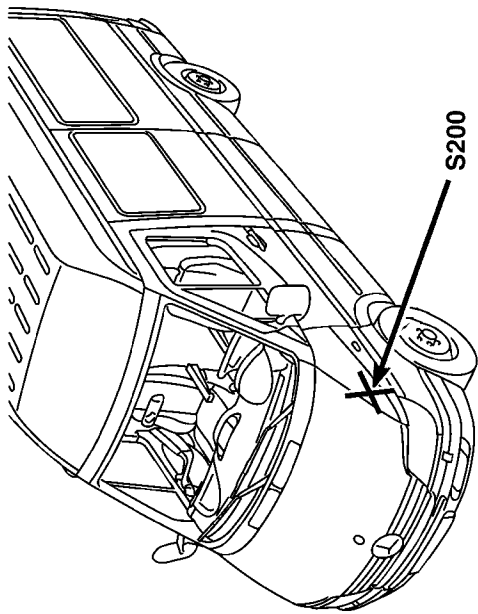
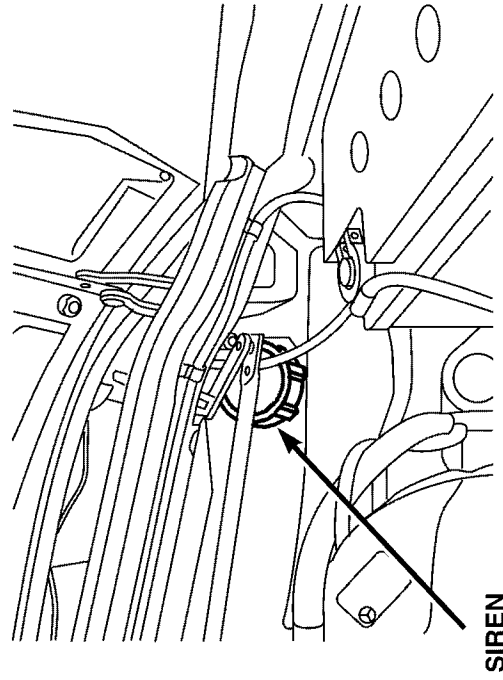
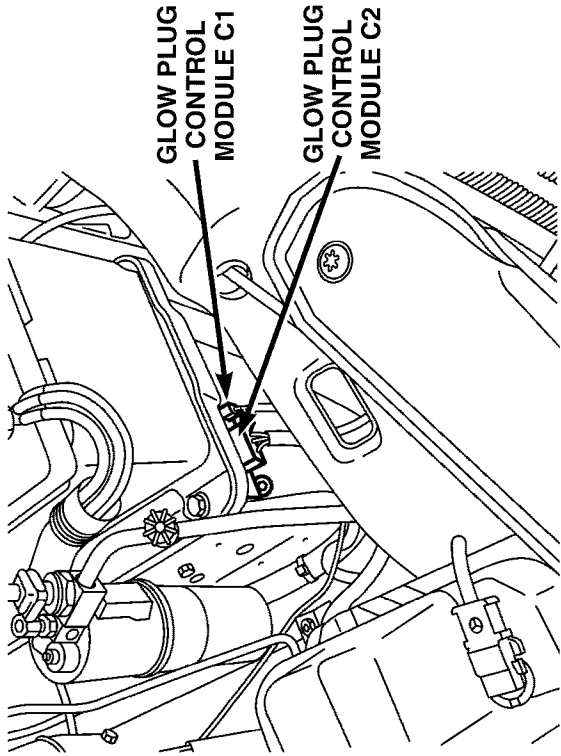


Fig. 1 ENGINE COMPARTMENT - LEFT FRONT

81119588

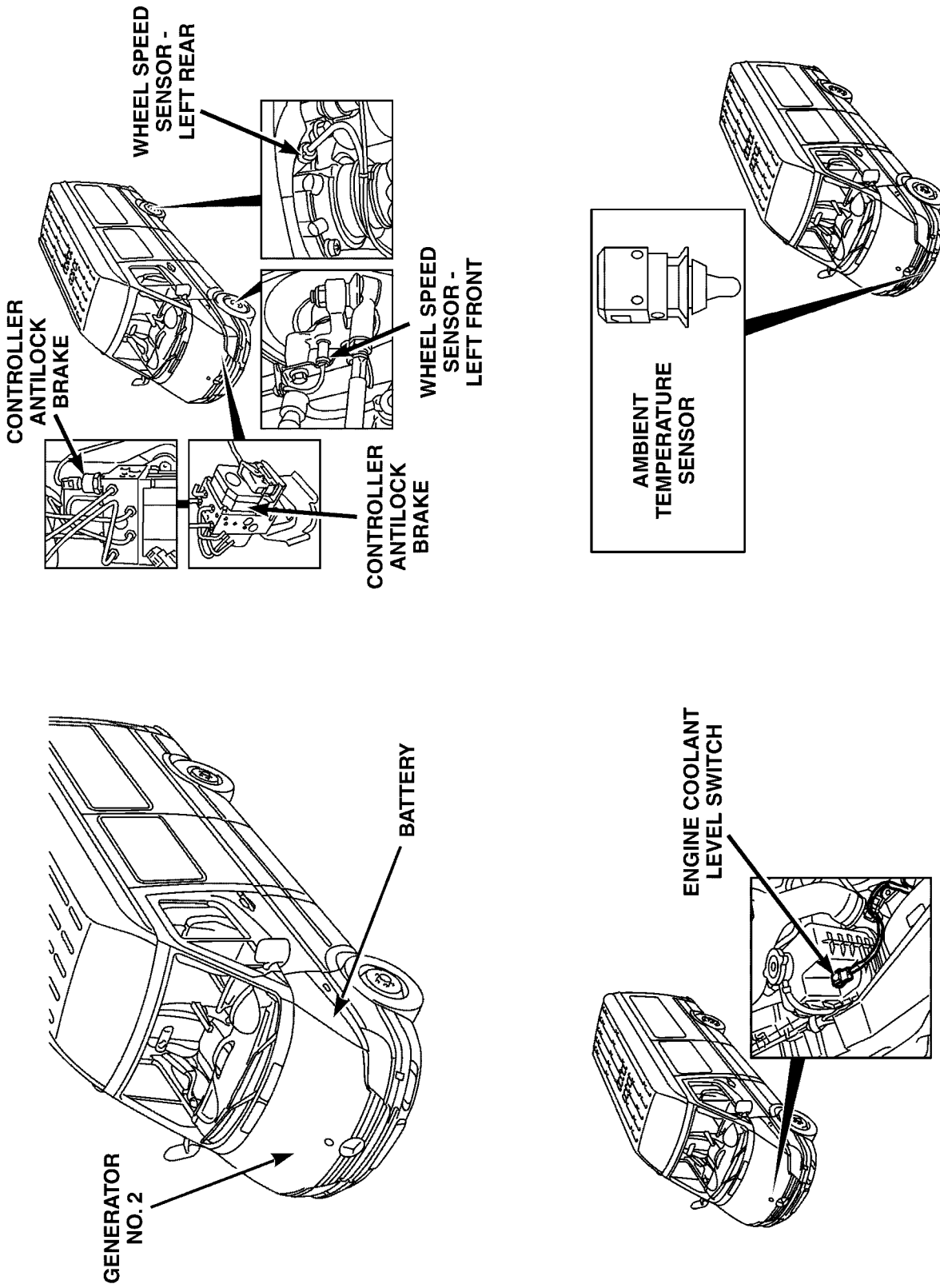


Fig. 2 ENGINE COMPARTMENT AND WHEEL SPEED SENSORS

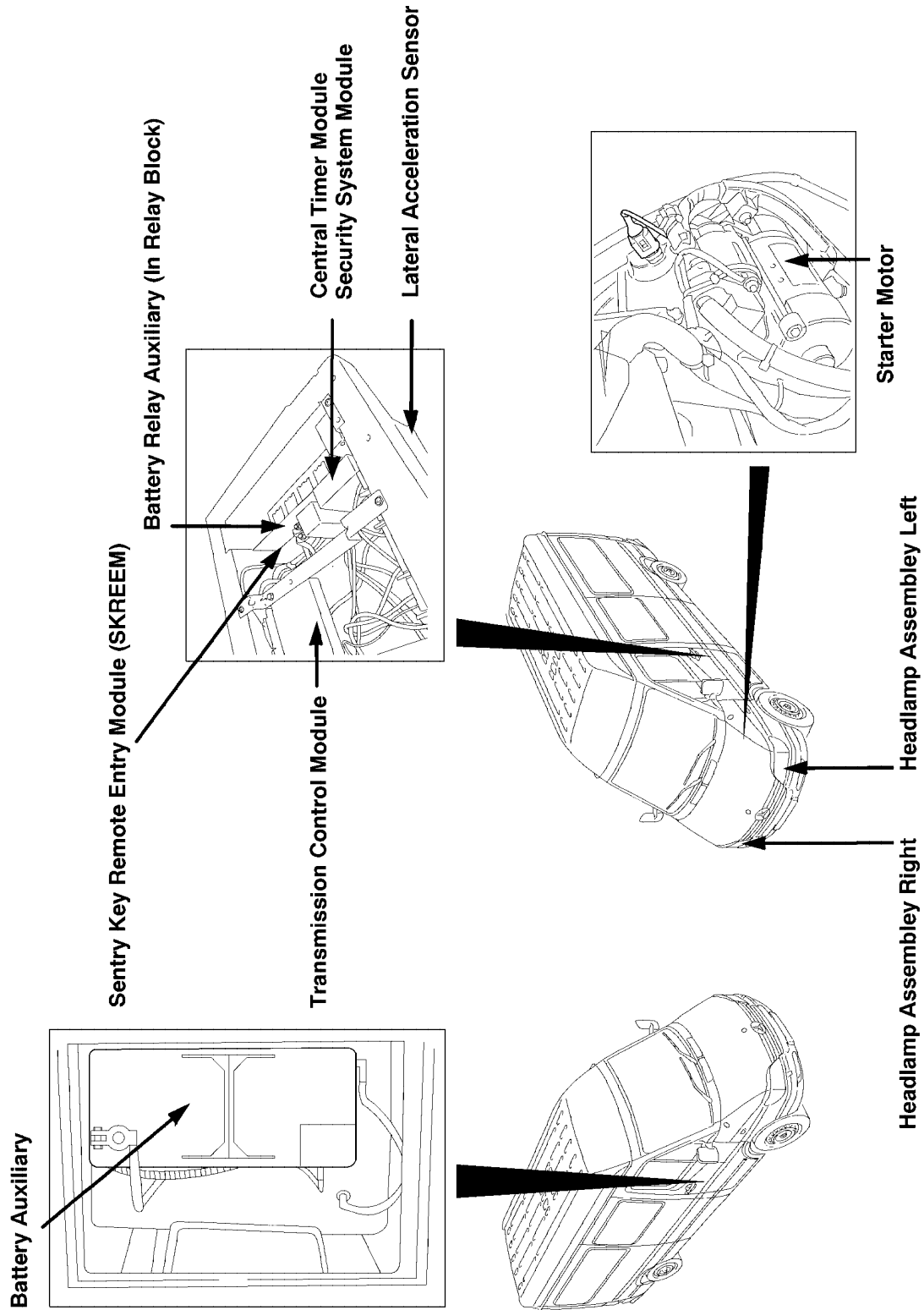


Fig. 3 FRONT COMPONENTS 1

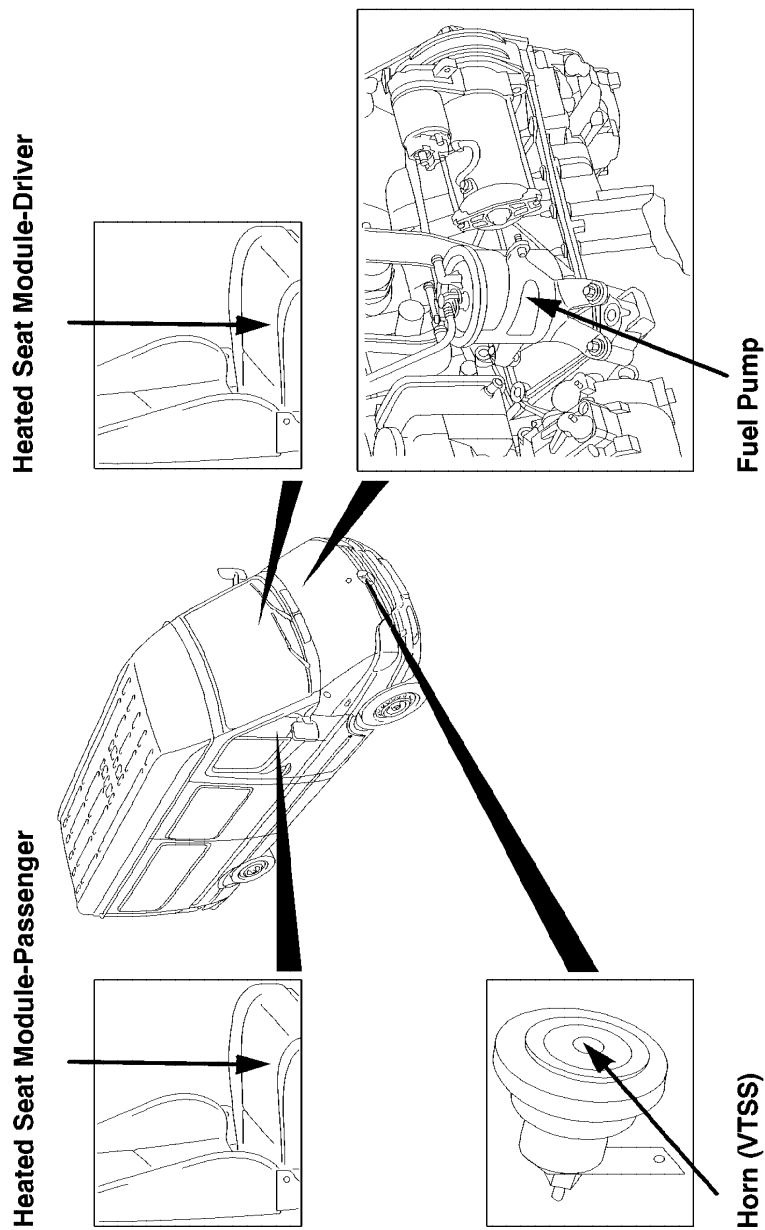


Fig. 4 FRONT COMPONENTS 2

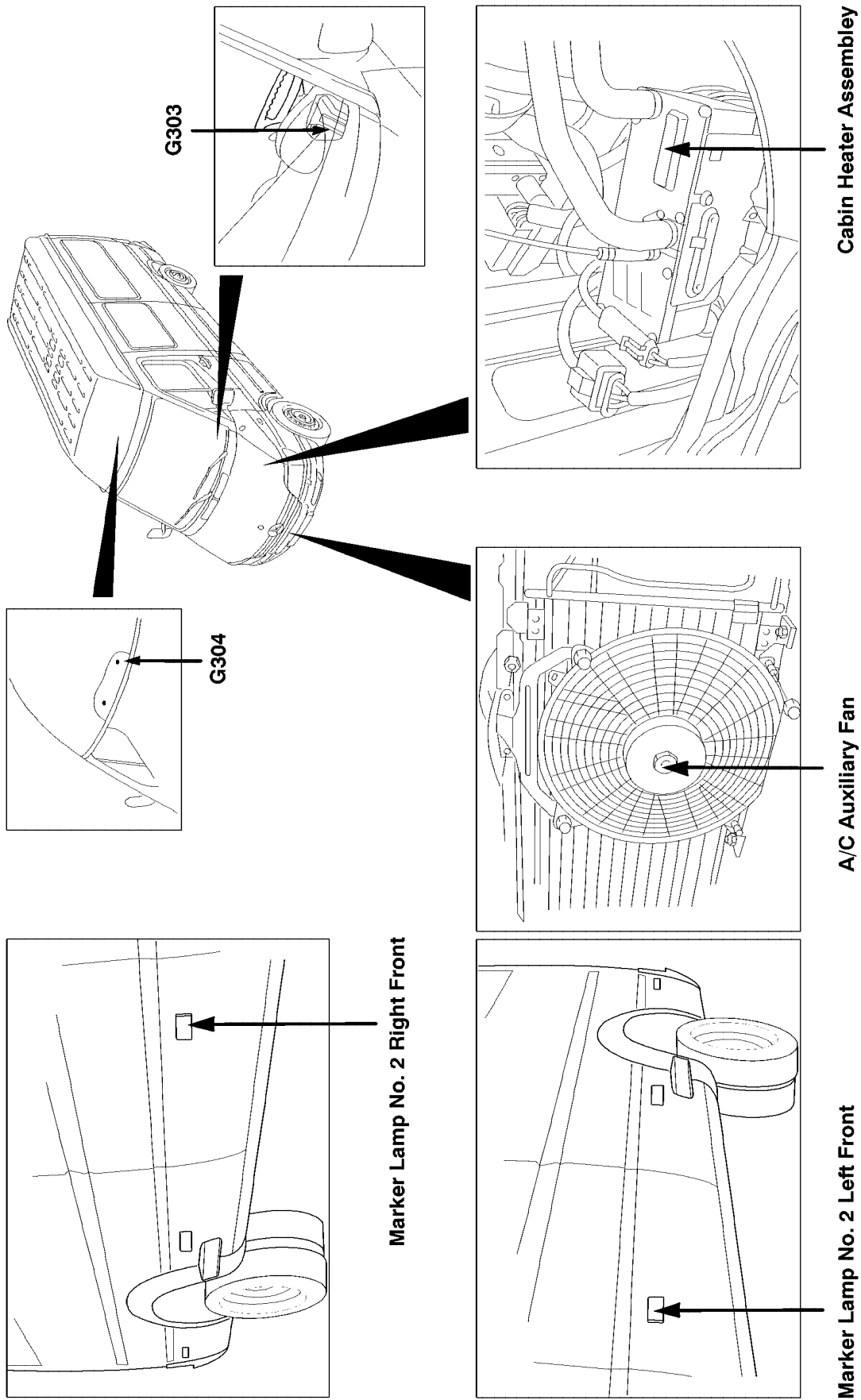


Fig. 5 FRONT COMPONENTS 3

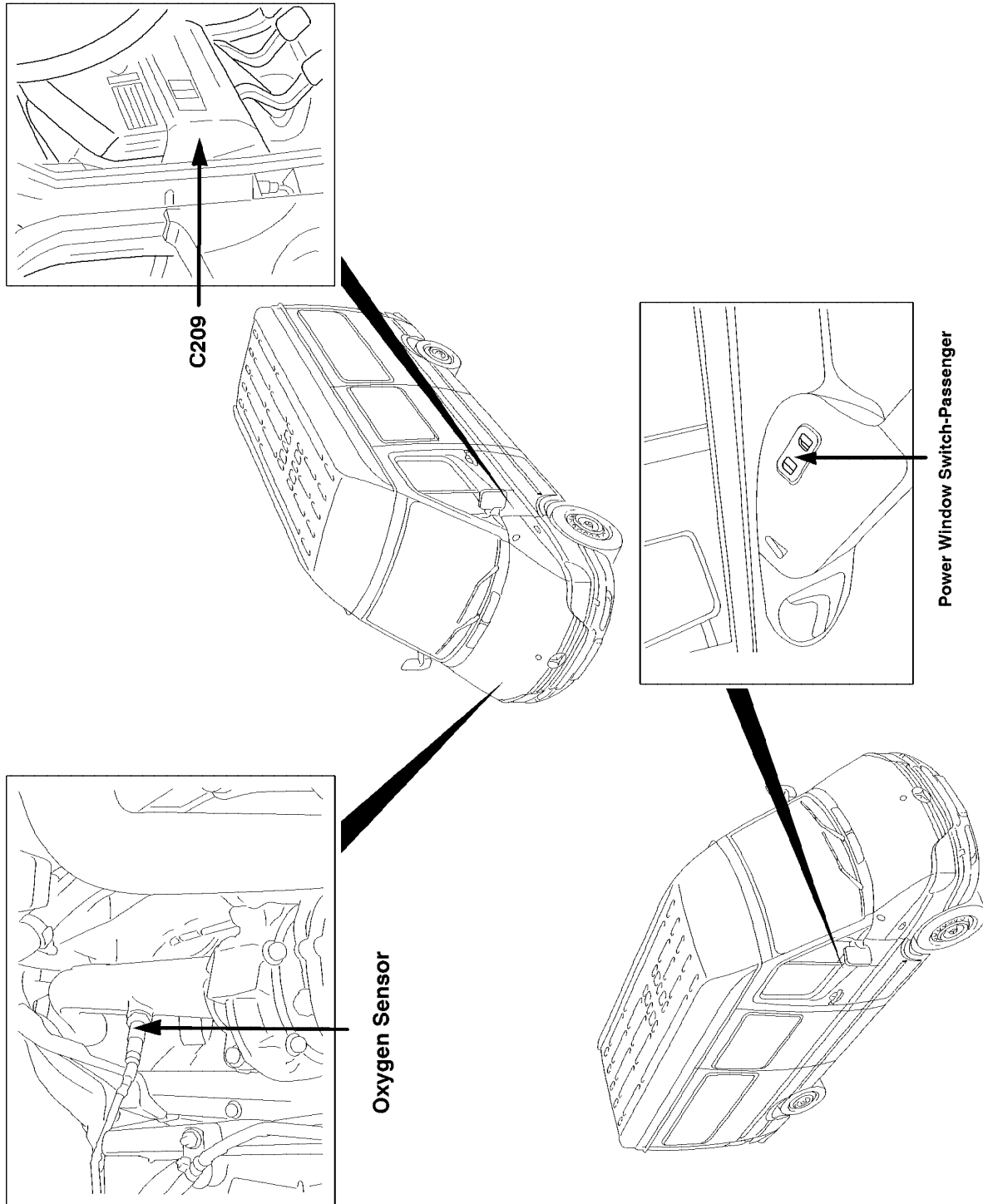


Fig. 6 FRONT COMPONENTS 4

813d5ed7

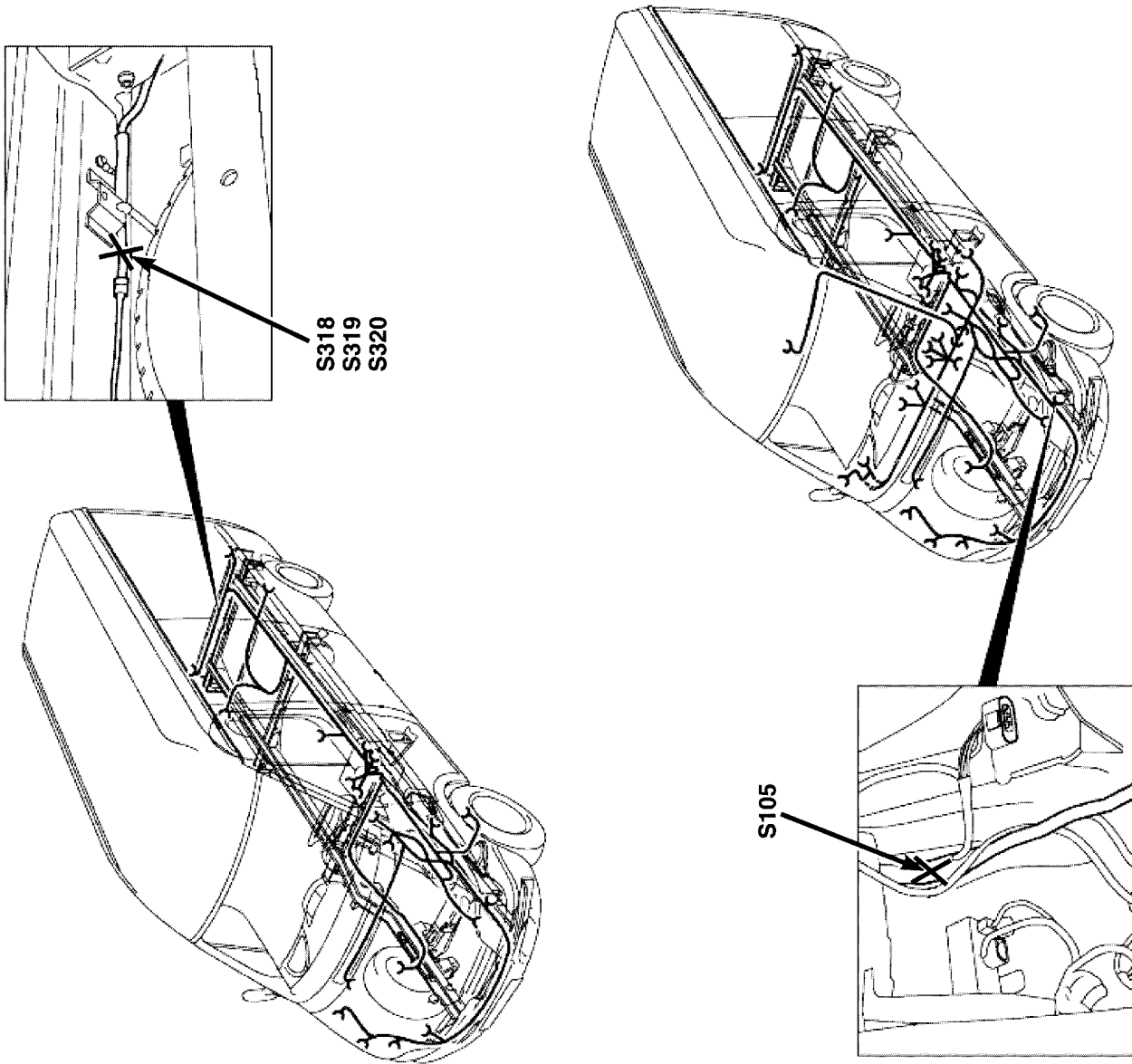
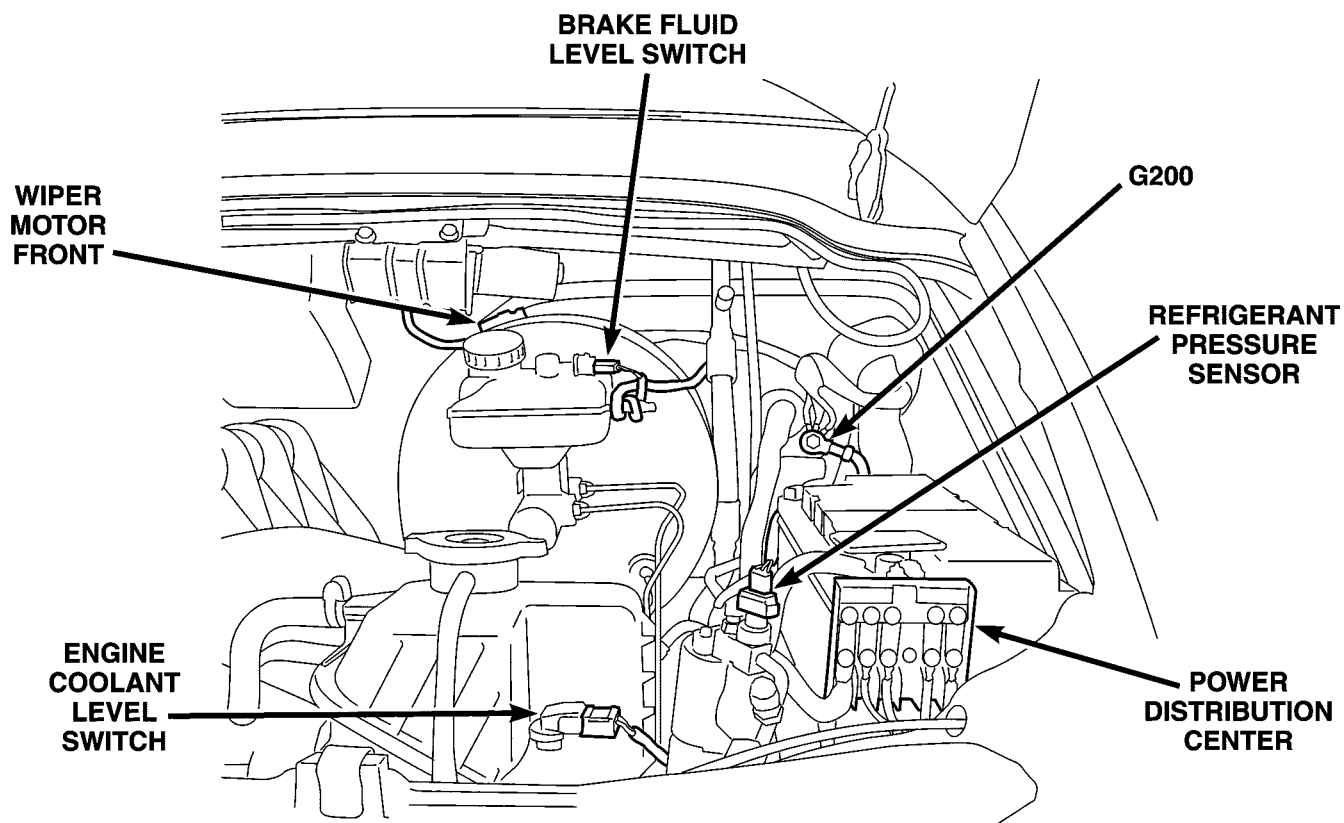


Fig. 7 ENGINE COMPARTMENT - LEFT



81119b8c

Fig. 8 ENGINE COMPARTMENT - REAR

81305160

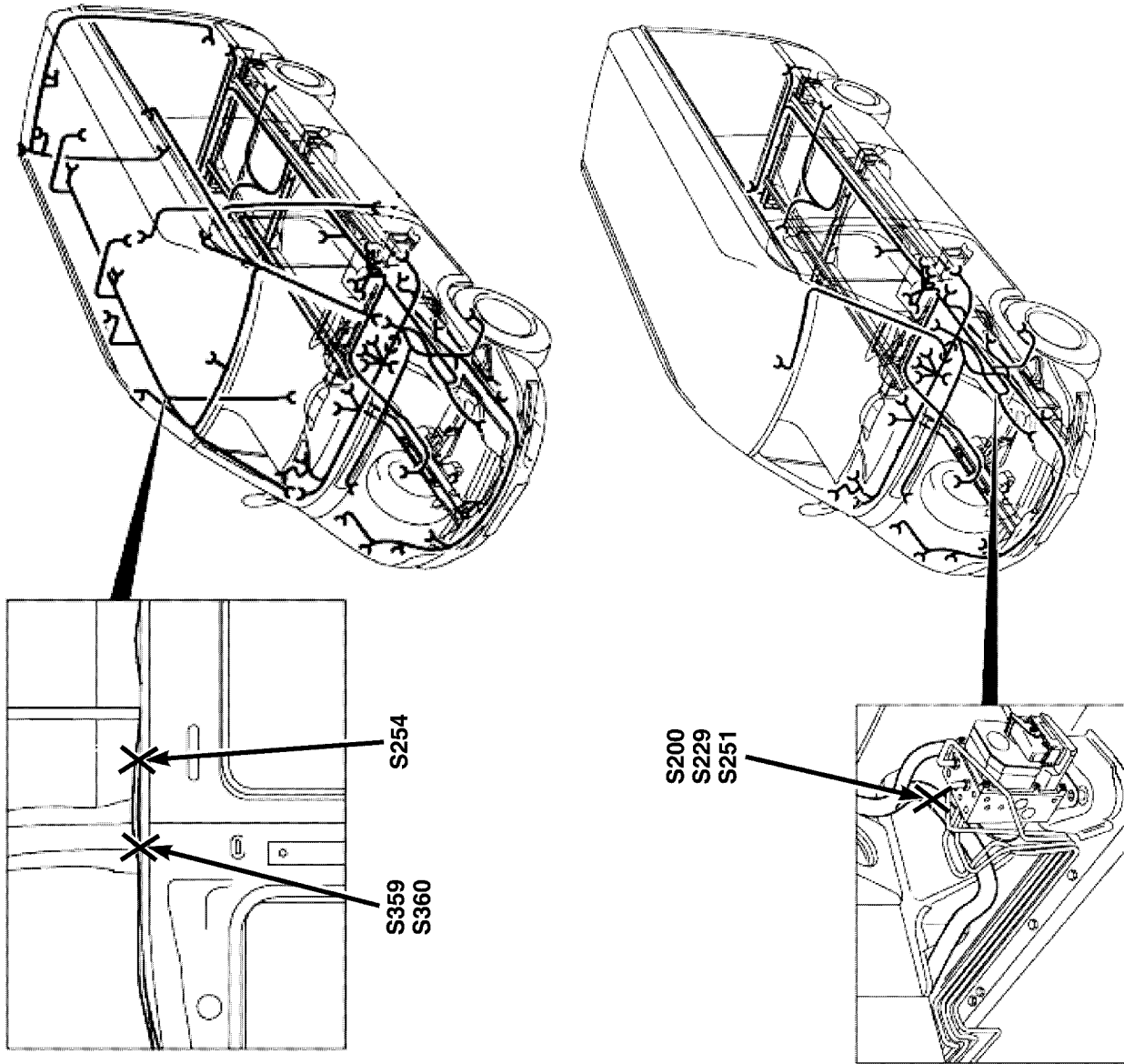
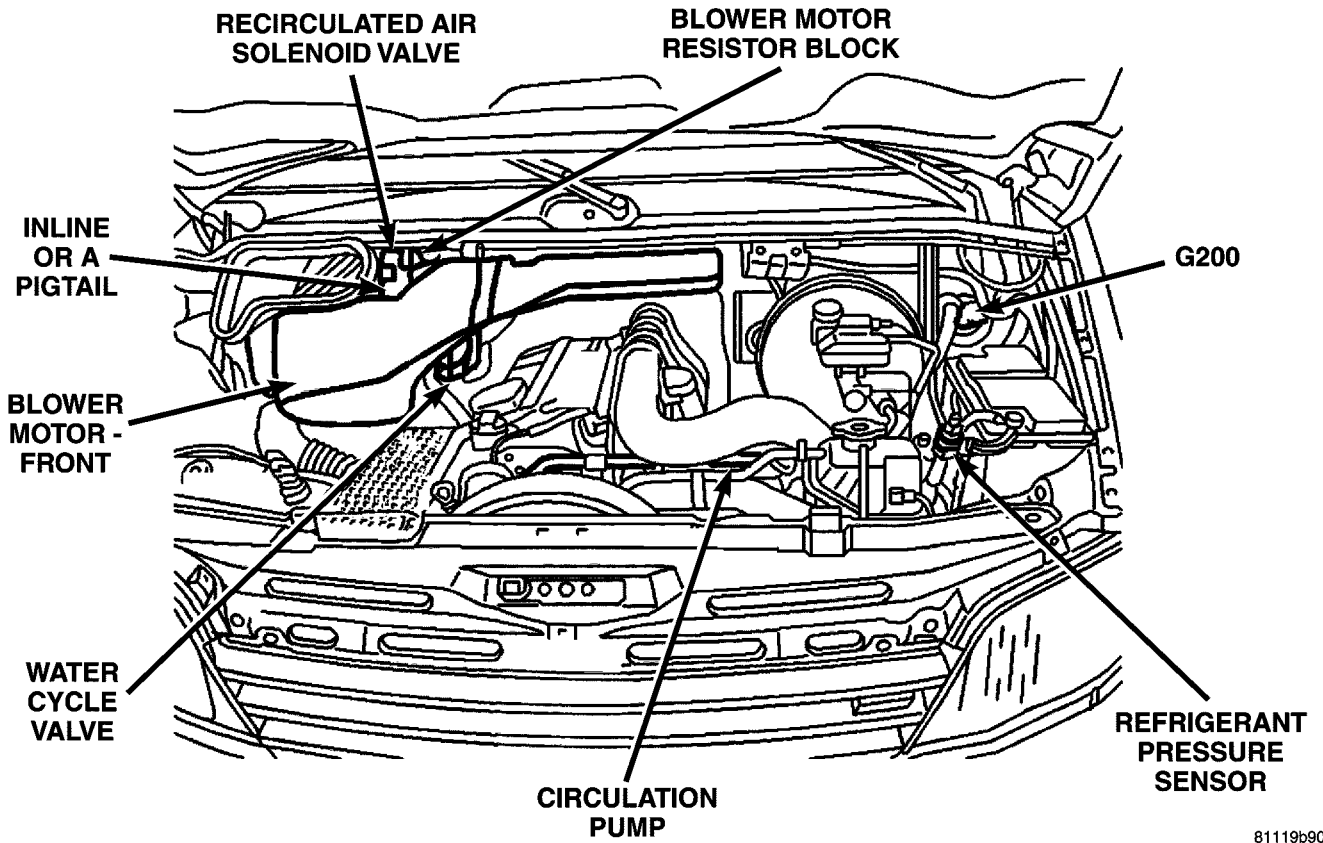
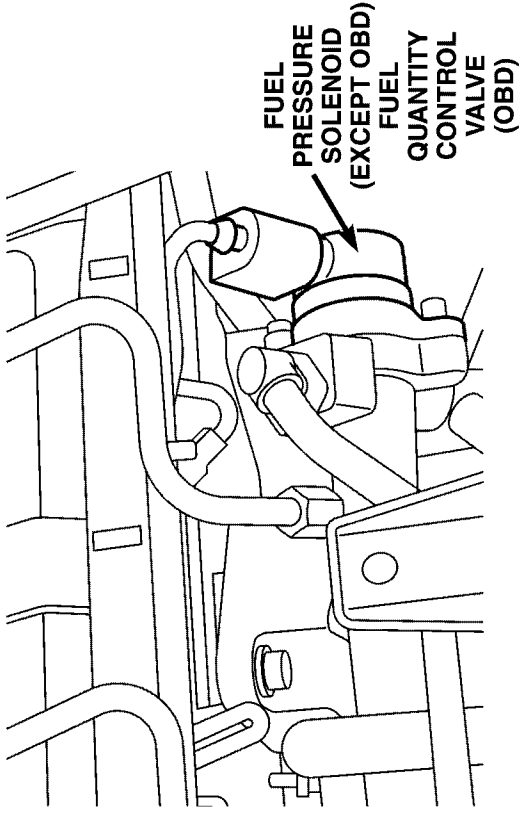
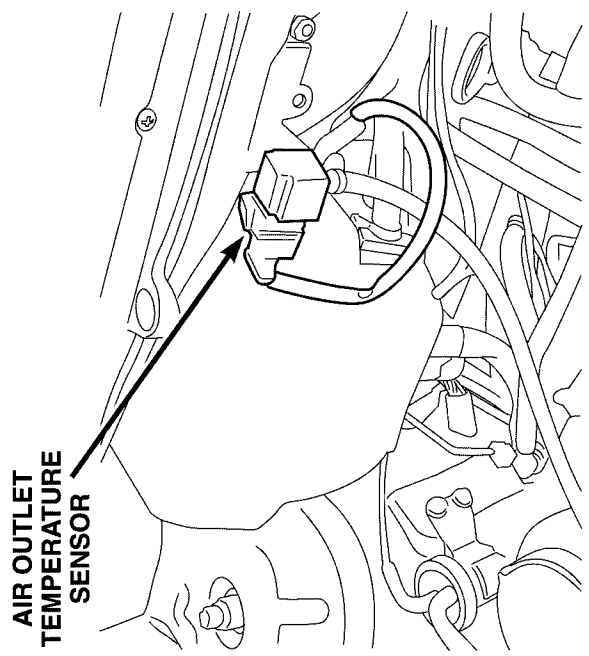
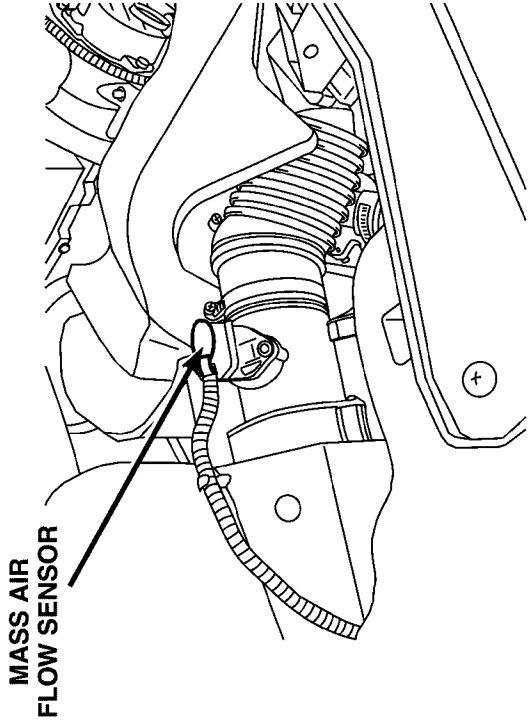
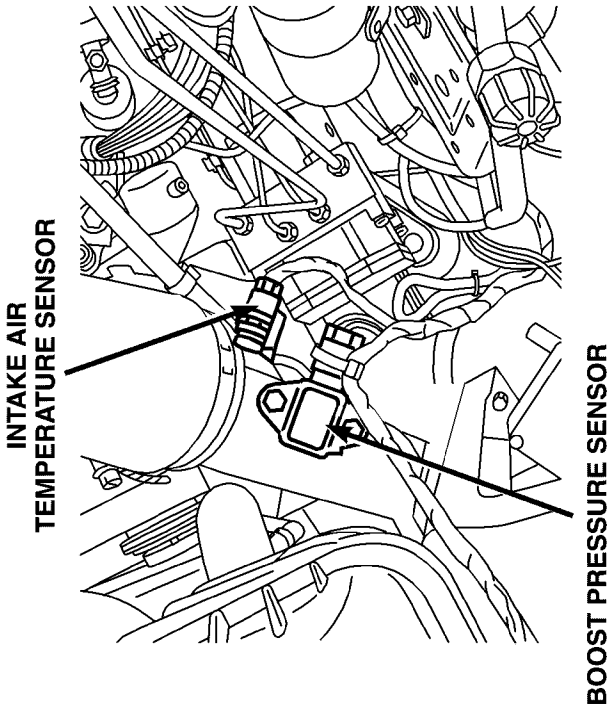


Fig. 9 INTERIOR LAMP SPLICES



81119b90

Fig. 10 ENGINE COMPARTMENT OVERVIEW



813d5f62

Fig. 11 FUEL AND AIR COMPONENTS

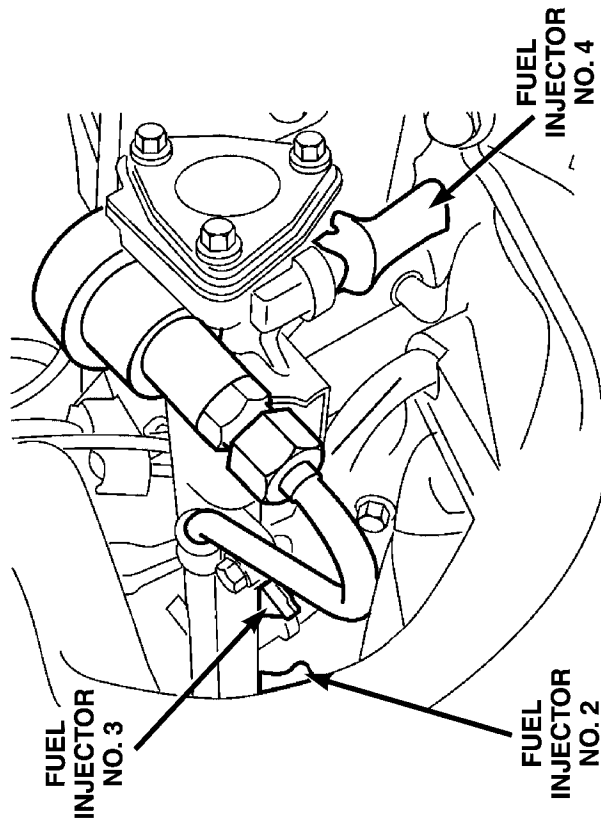
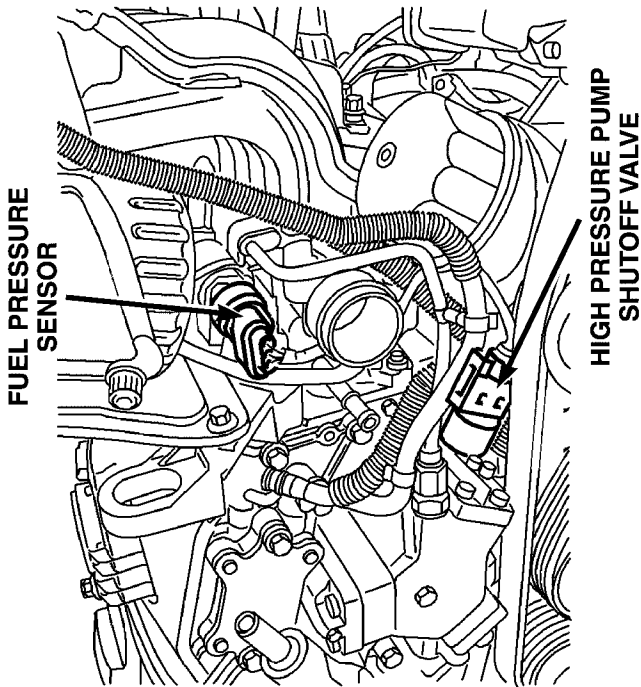
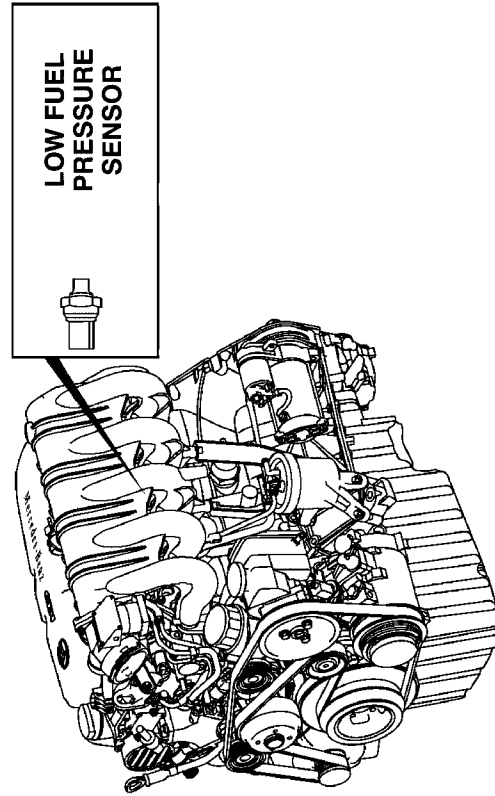
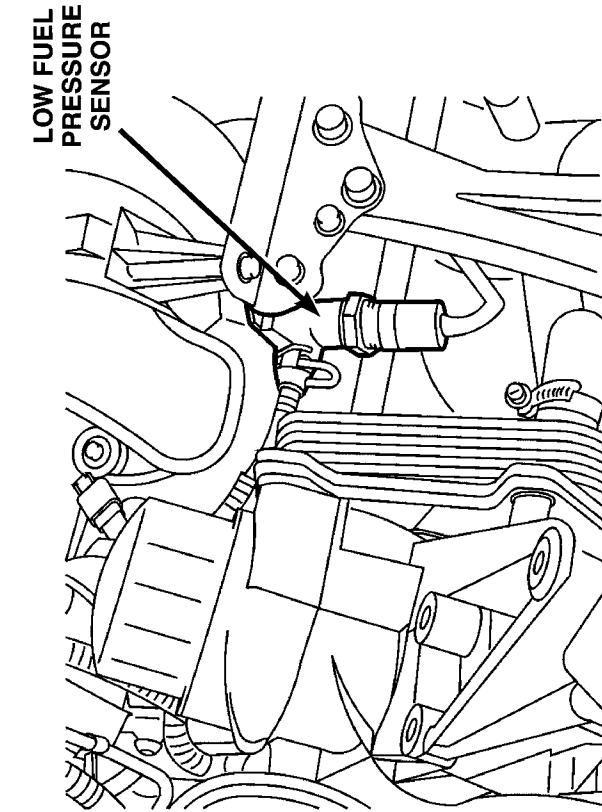


Fig. 12 ENGINE AND INJECTORS

81119ba0

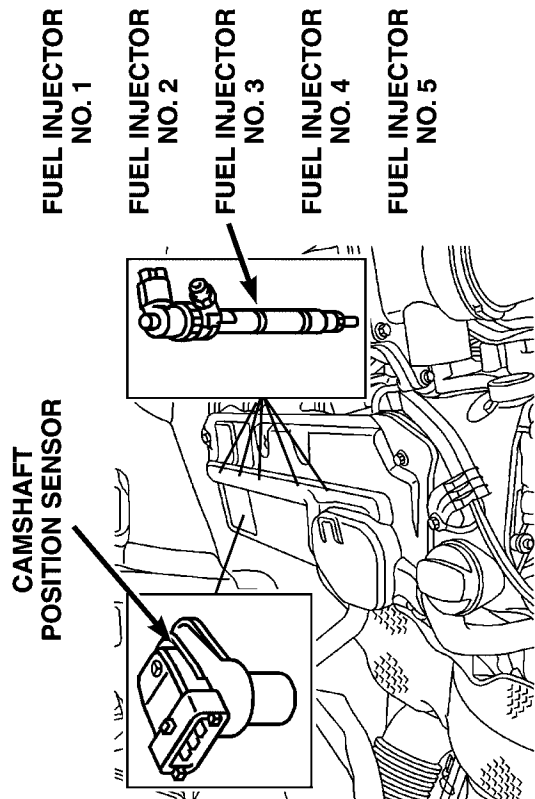
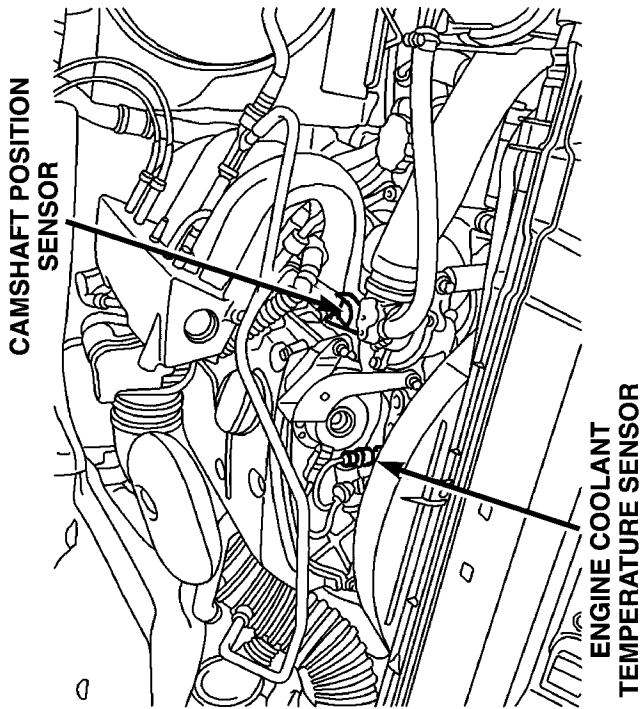
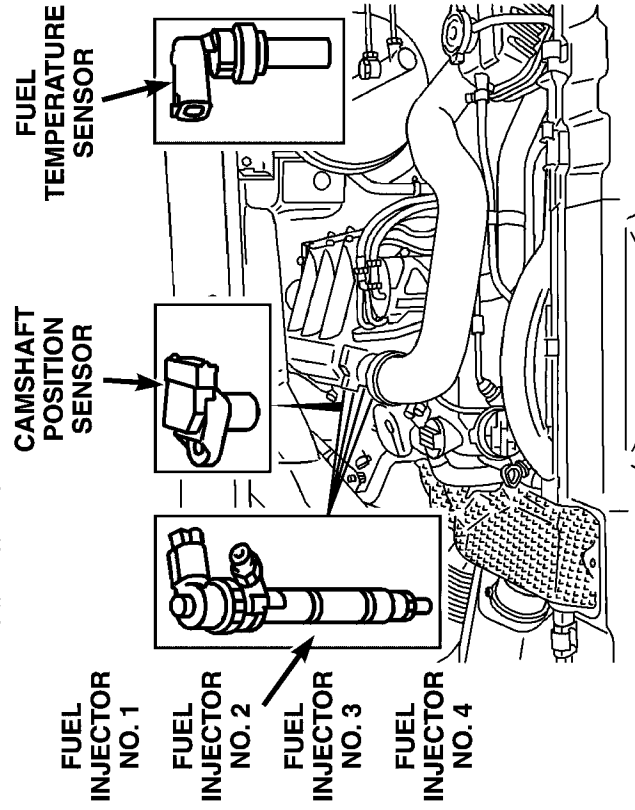
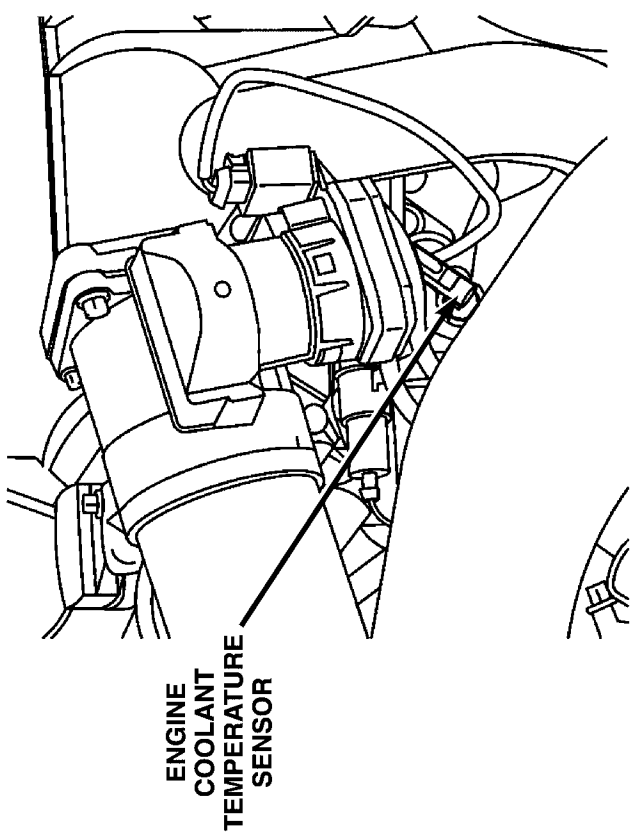


Fig. 13 ENGINE SENSORS AND INJECTORS

81119ba4

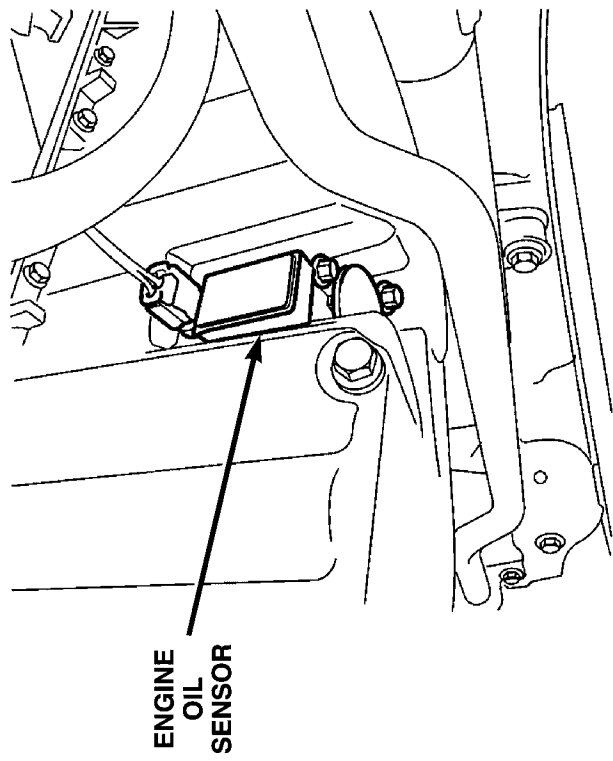
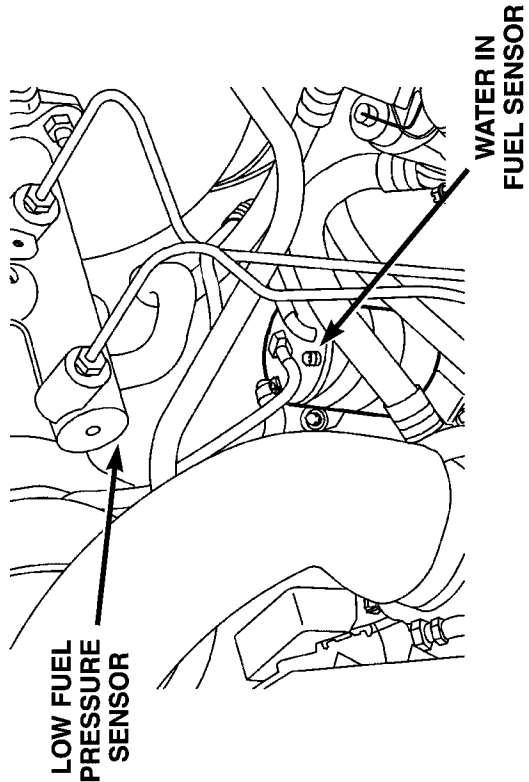
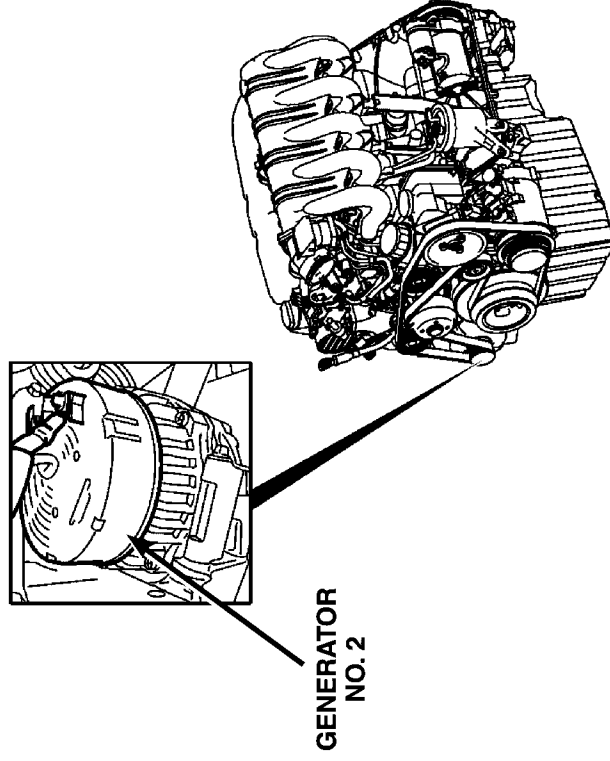
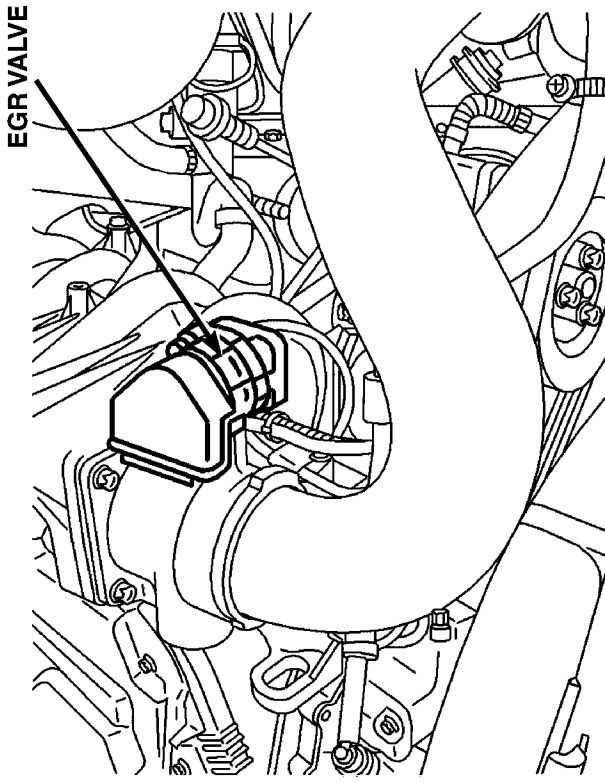


Fig. 14 ENGINE

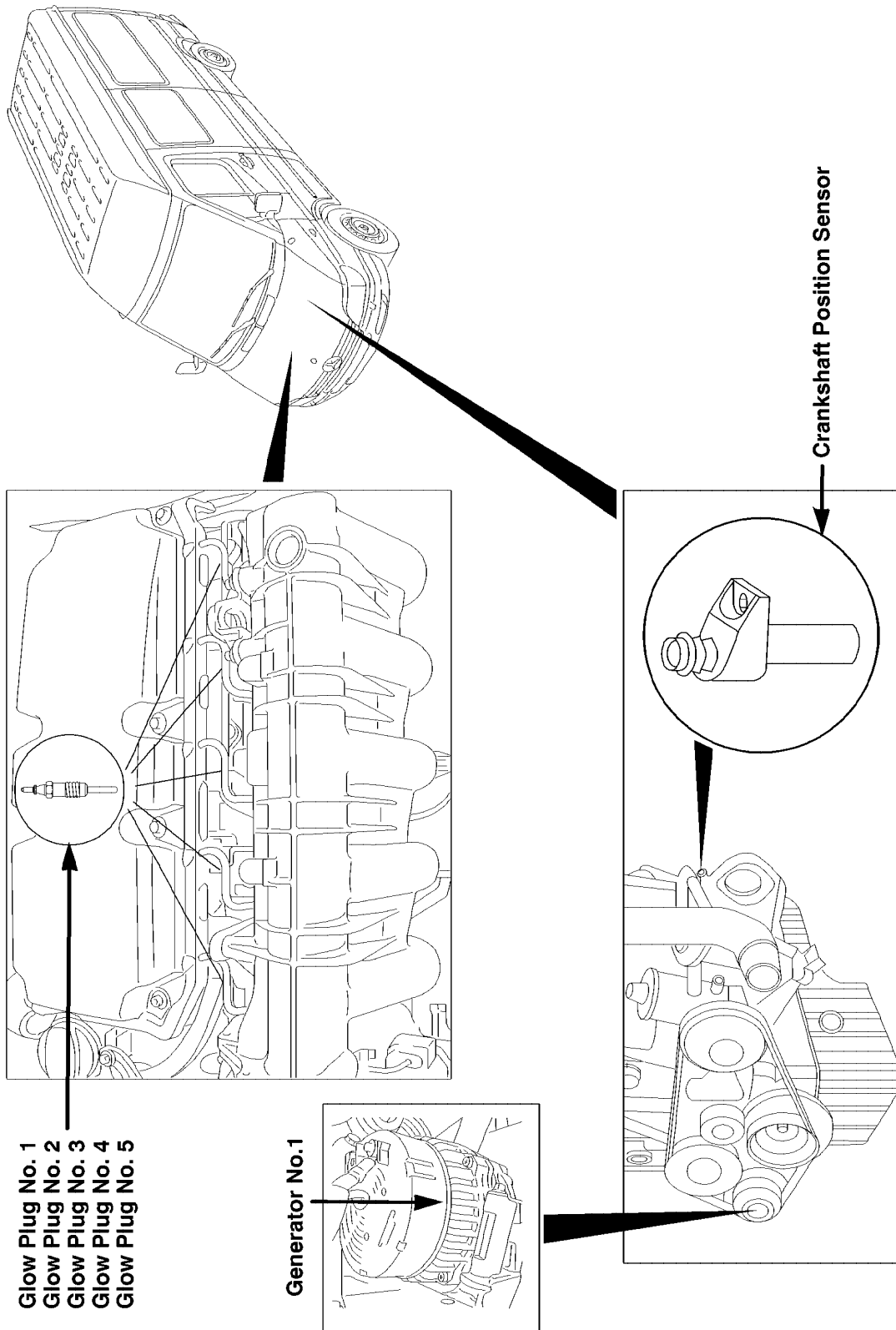


Fig. 15 GLOW PLUGS AND FRONT ENGINE

81119bb2

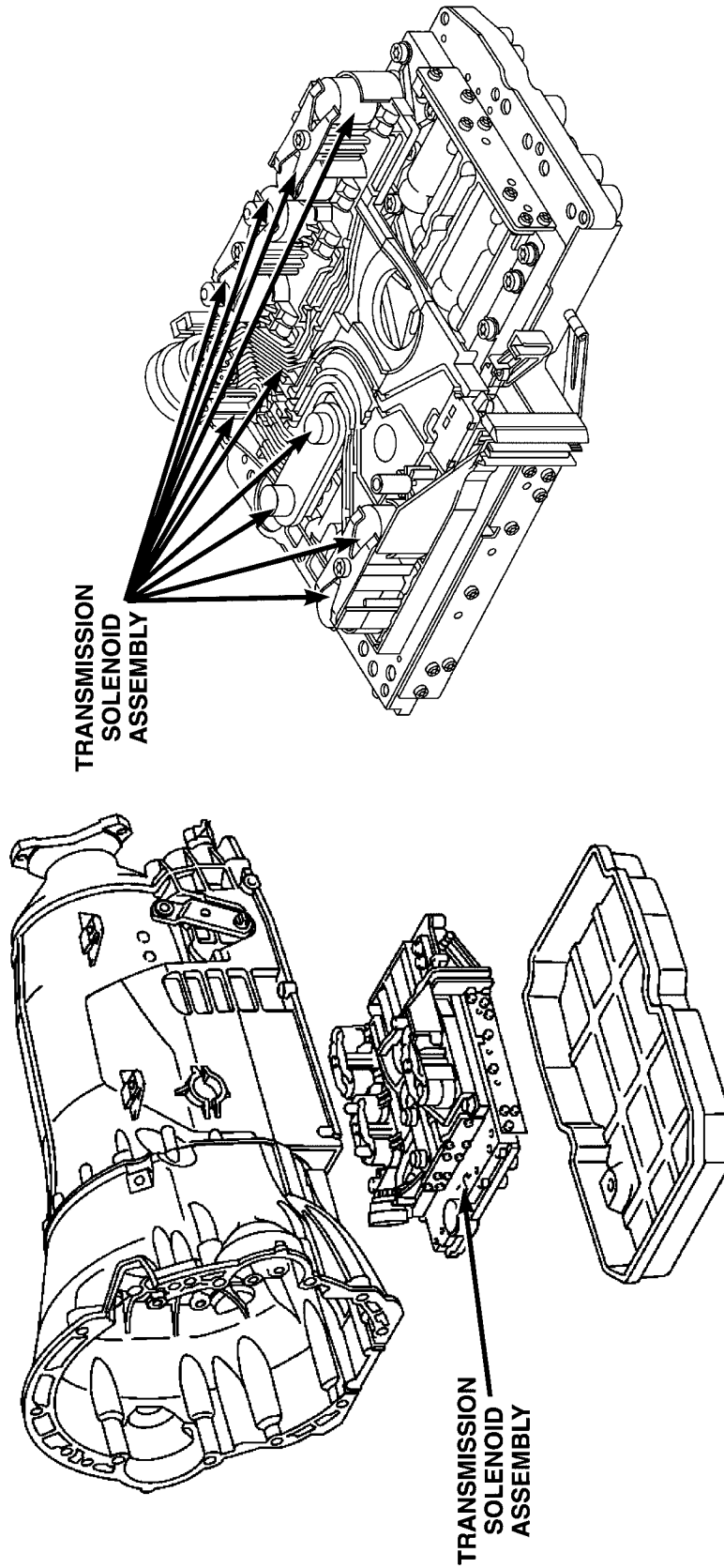


Fig. 16 TRANSMISSION

813d5698

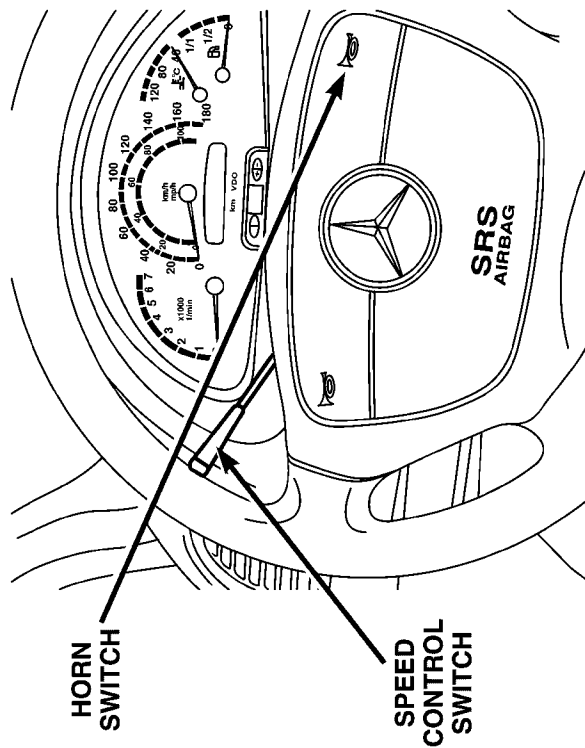
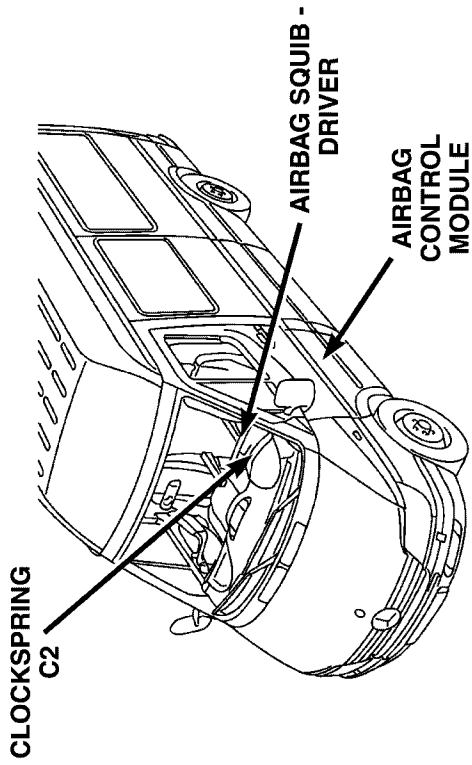
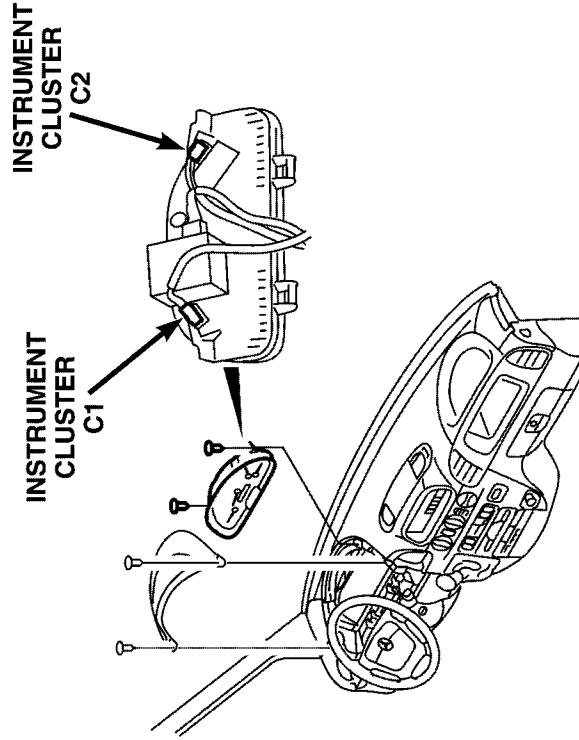
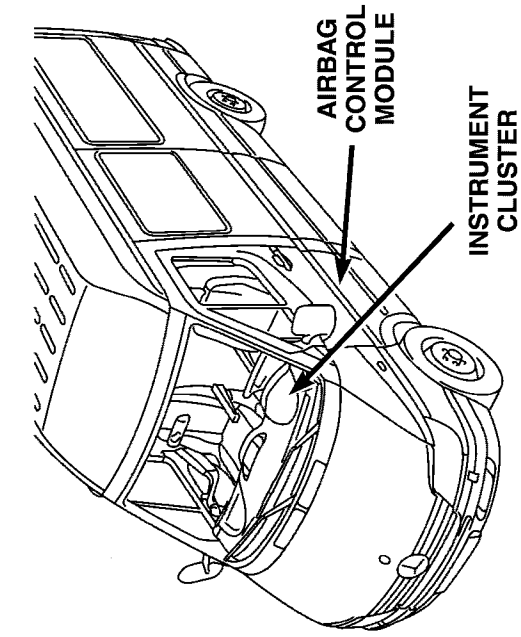


Fig. 17 FRONT CABIN

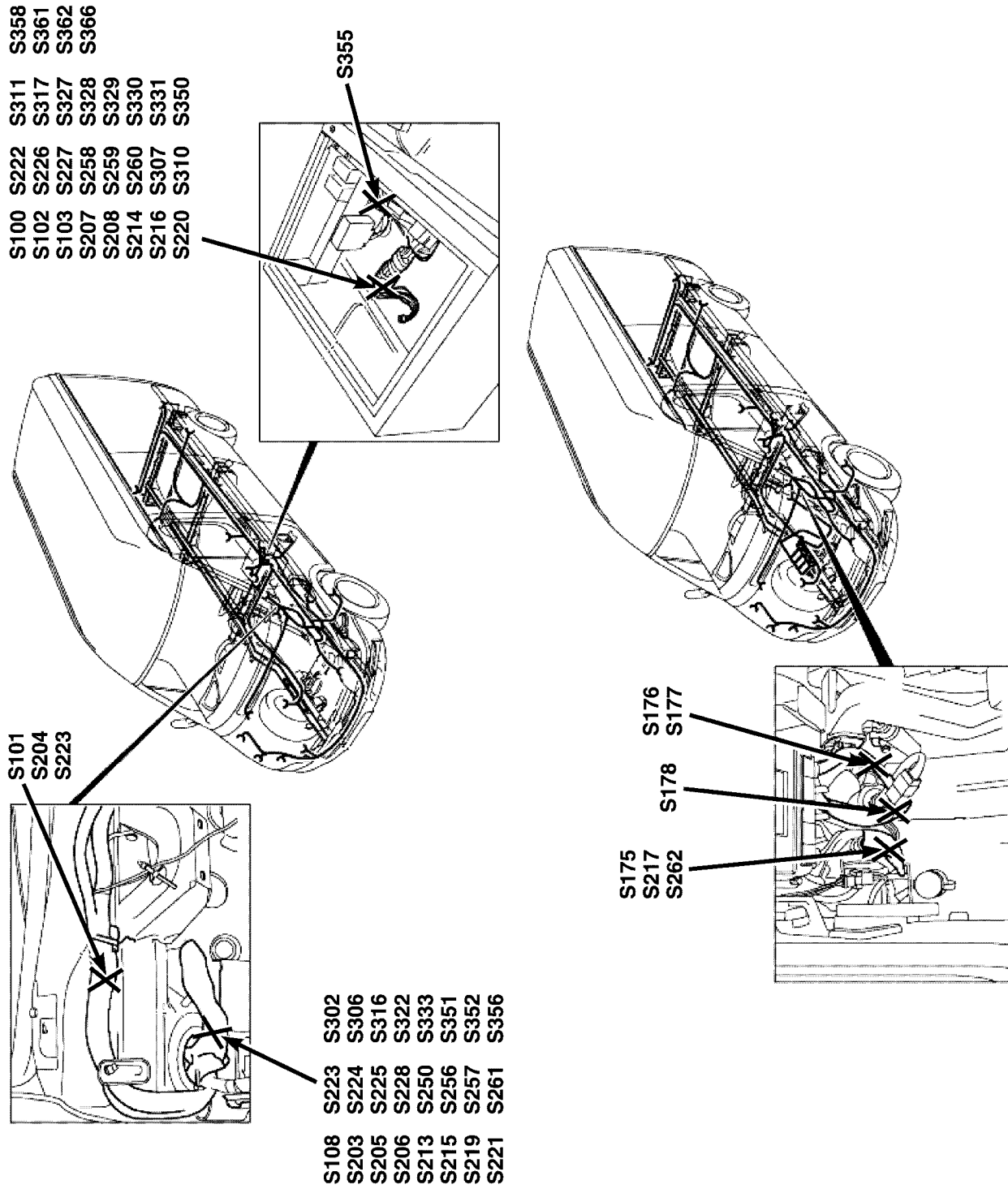


Fig. 18 BODY SPLICES

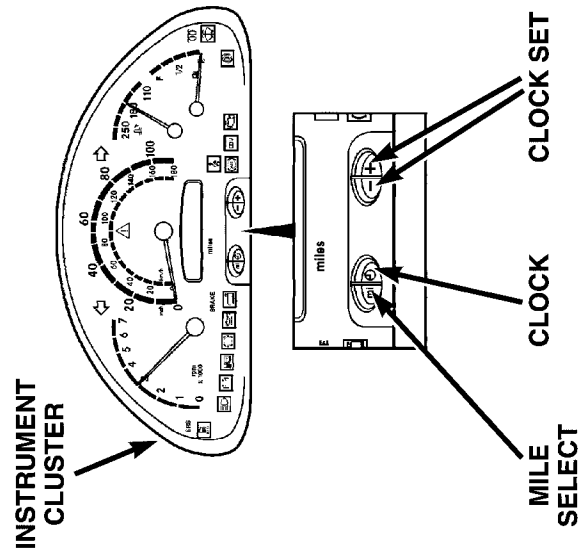
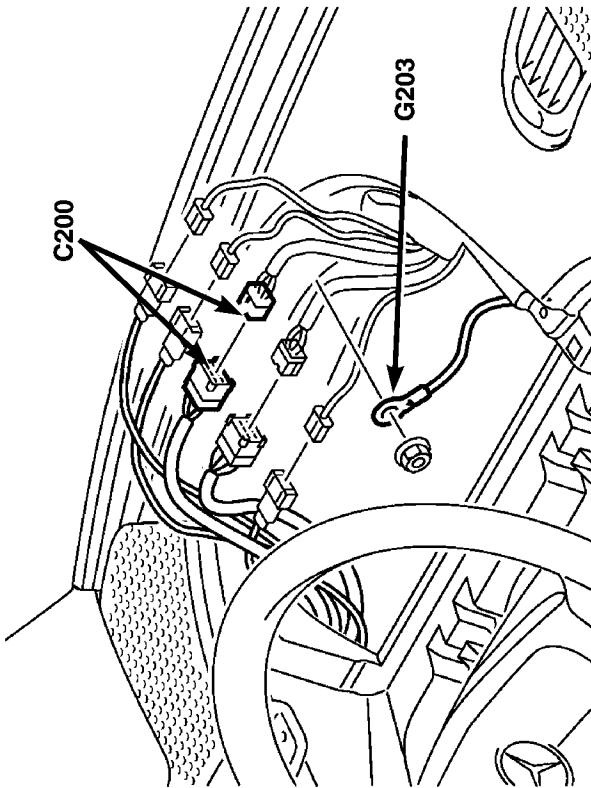
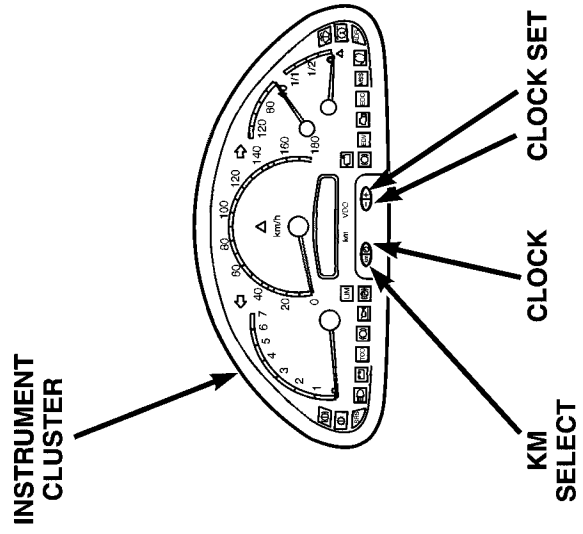
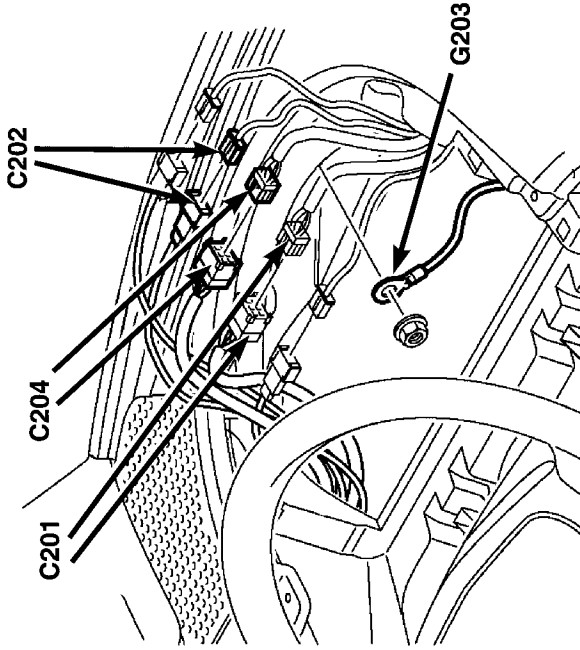
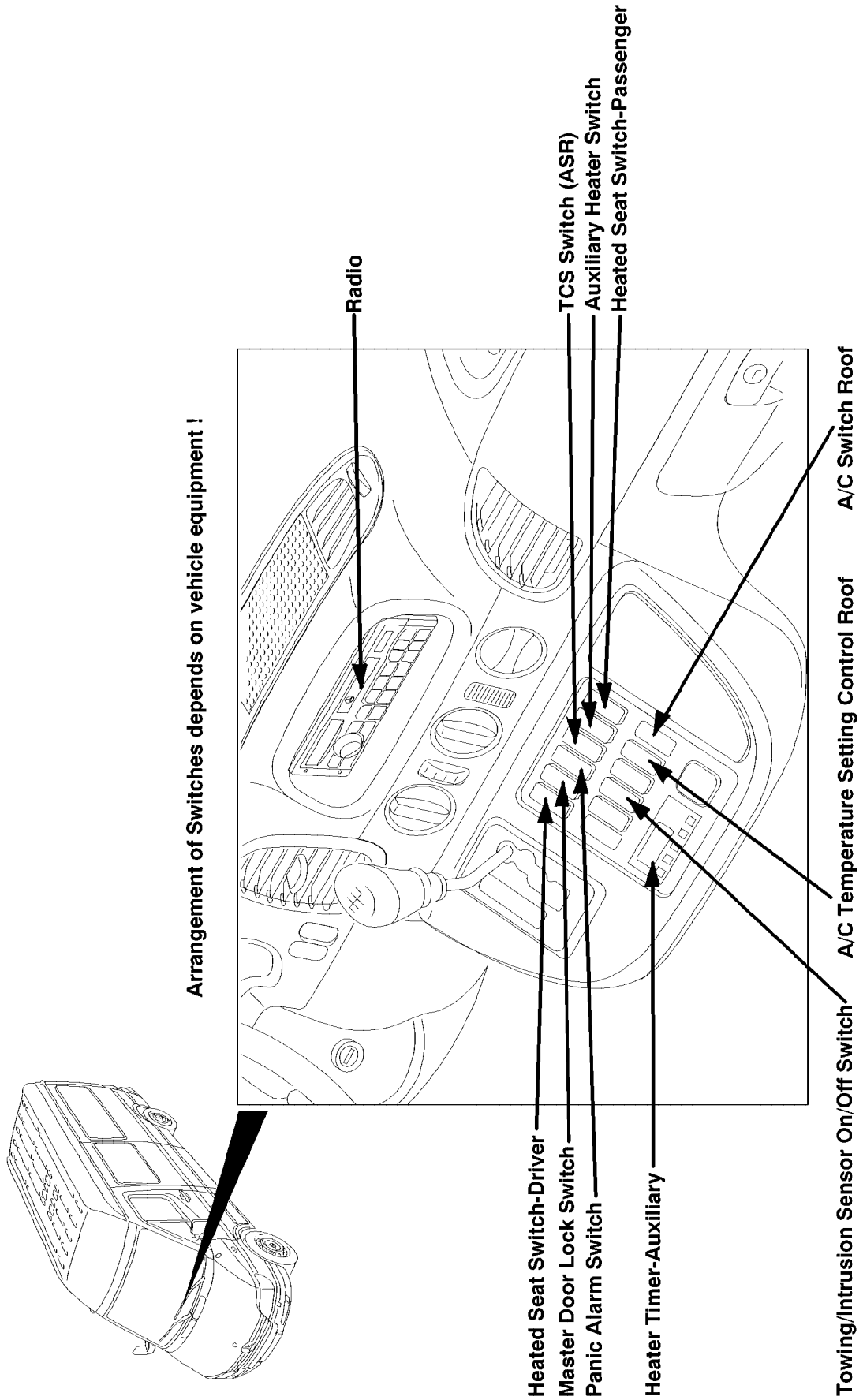


Fig. 19 INSTRUMENT PANEL



Arrangement of Switches depends on vehicle equipment !

Fig. 20 CENTER STACK SWITCHES

813d5f60

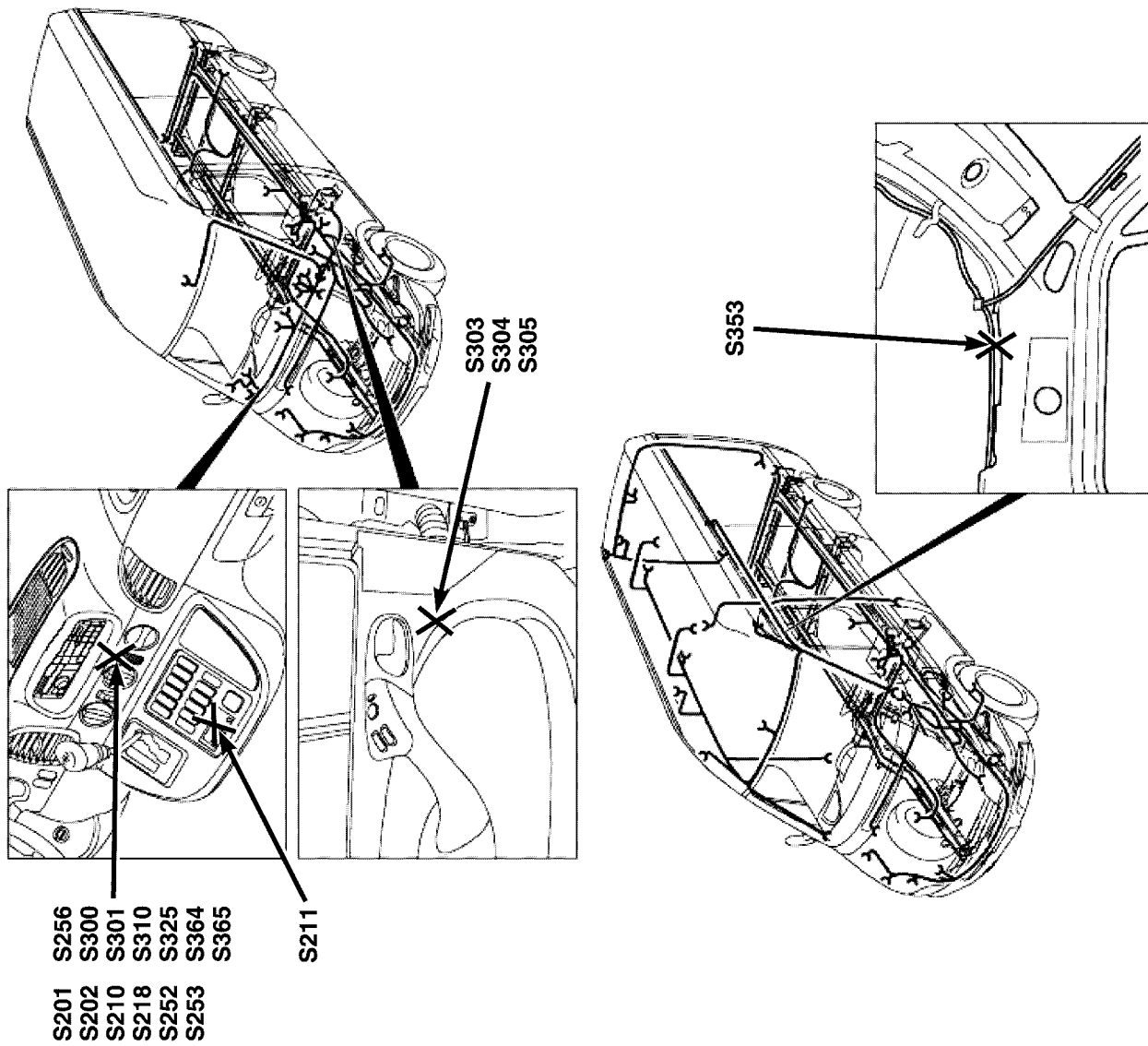
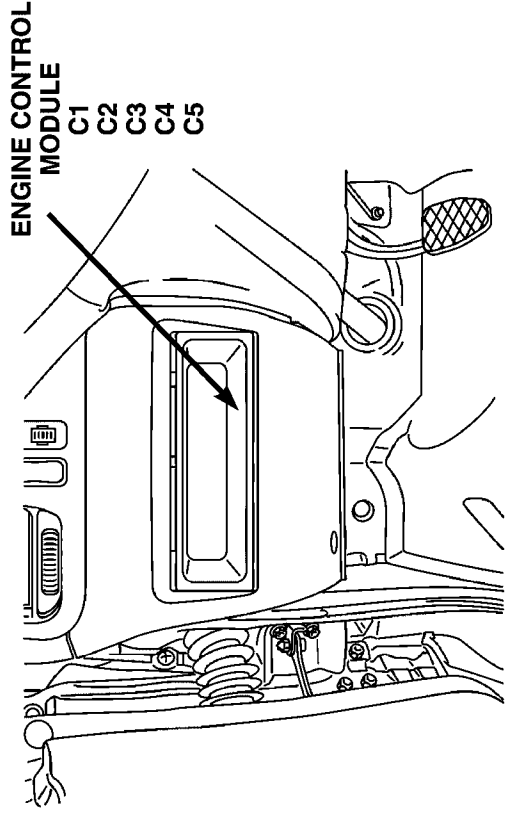
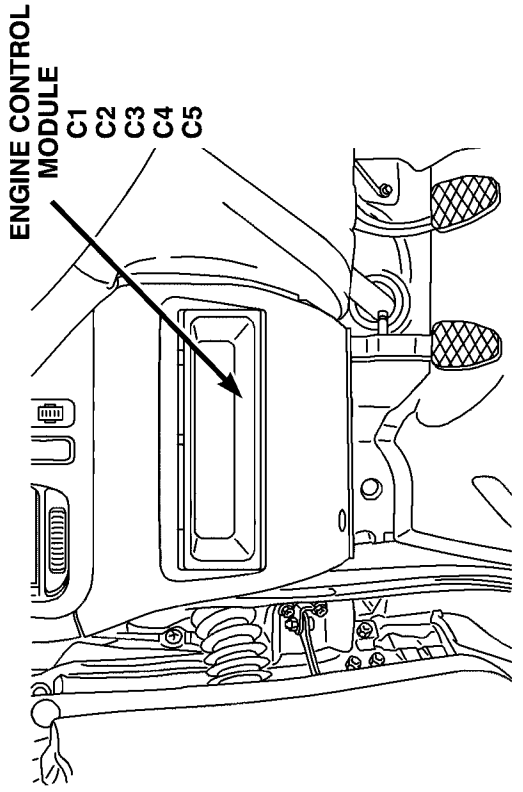
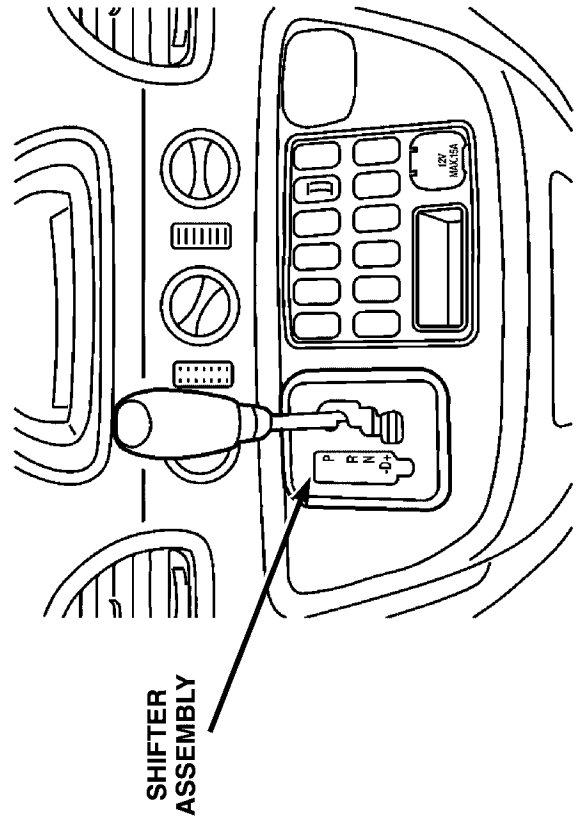
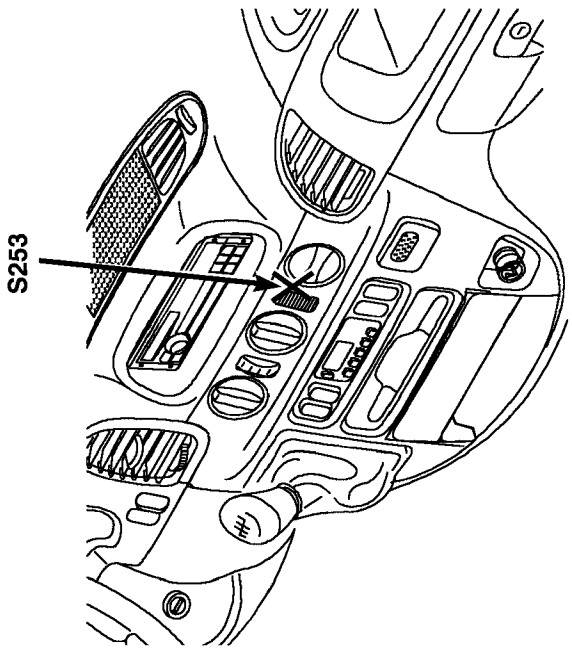


Fig. 21 INSTRUMENT PANEL SPLICES



81119cdt

Fig. 22 INSTRUMENT PANEL AND SHIFTER

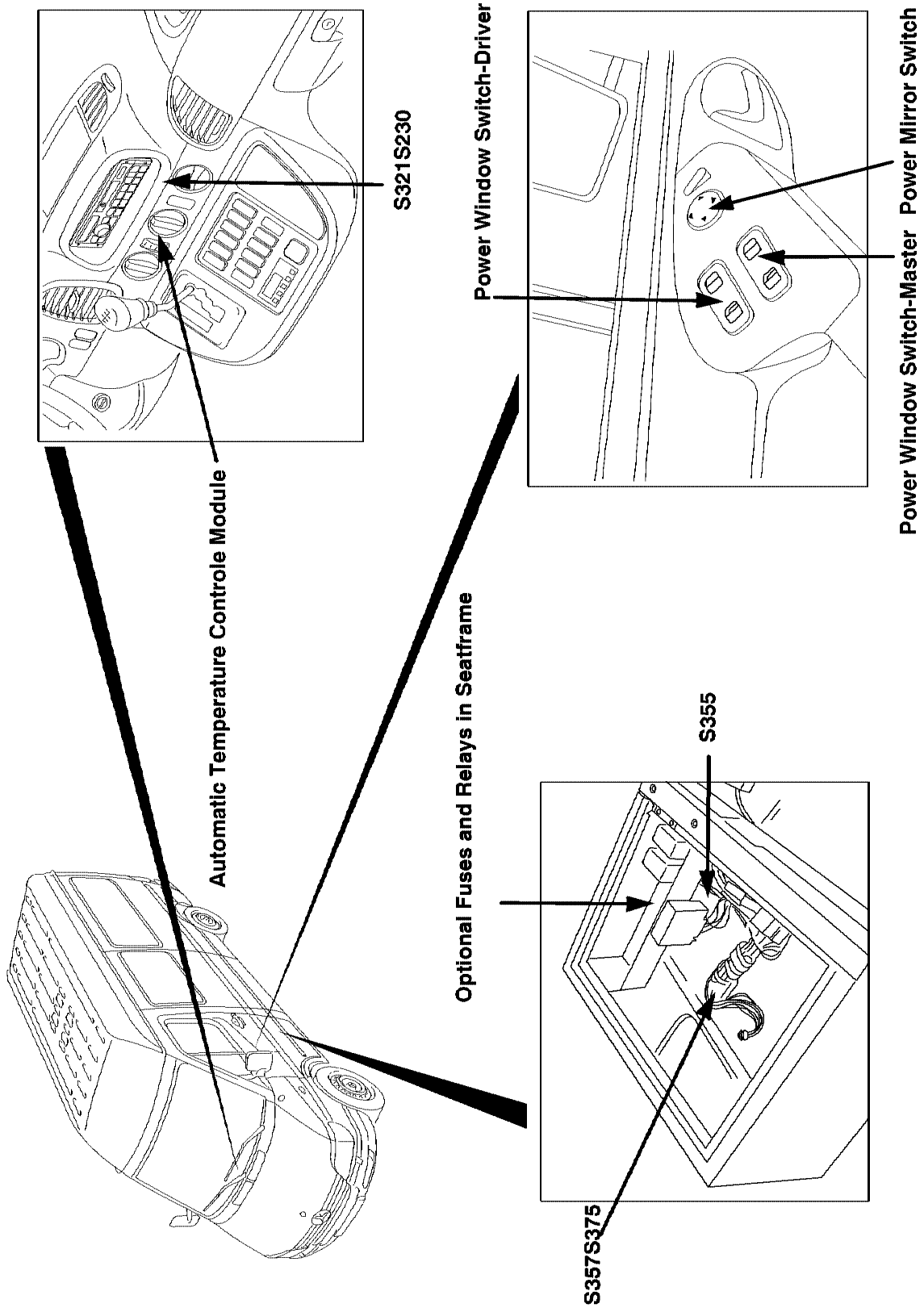


Fig. 23 INTERIOR COMPONENTS 1

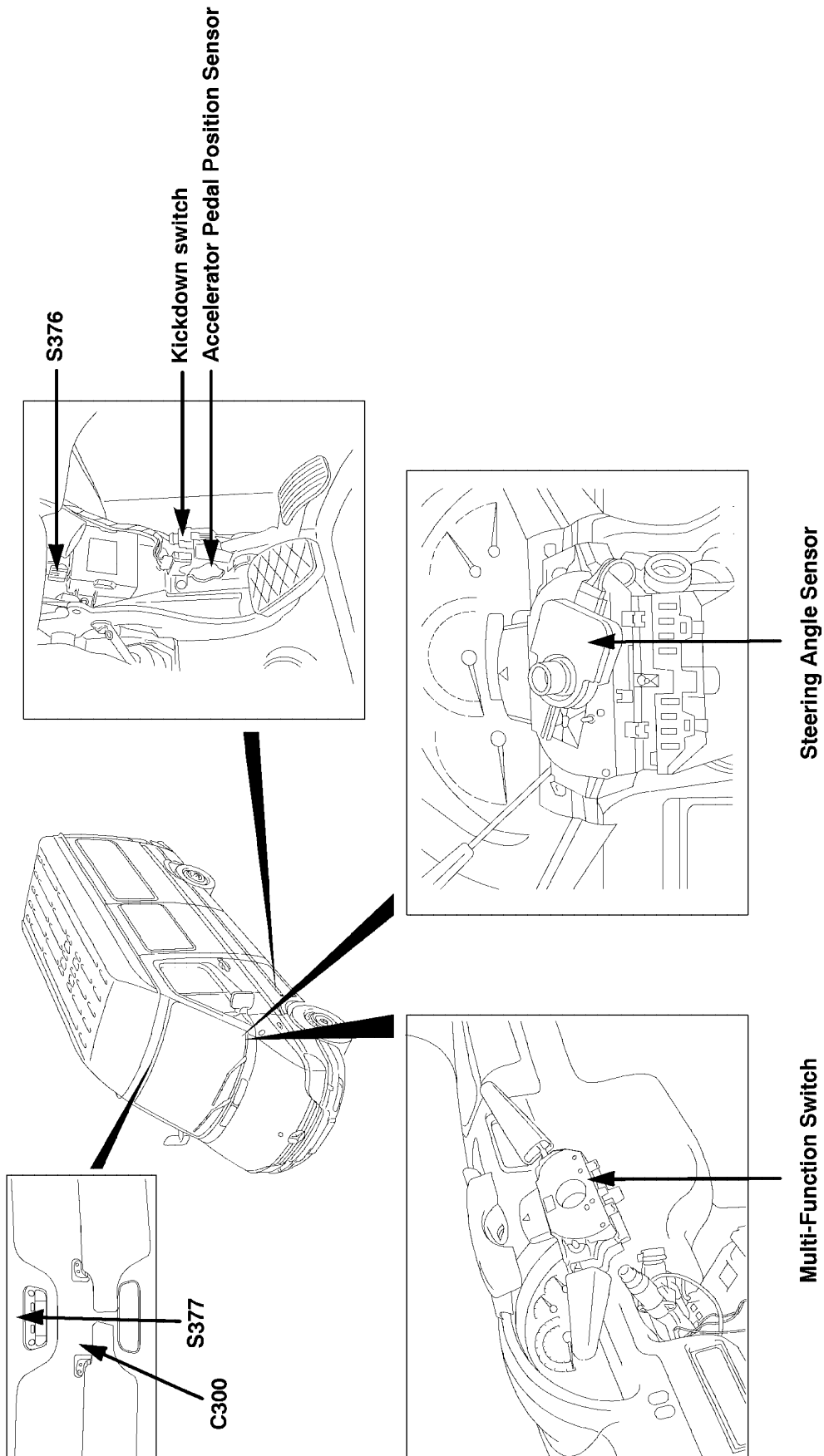


Fig. 24 INTERIOR COMPONENTS 2

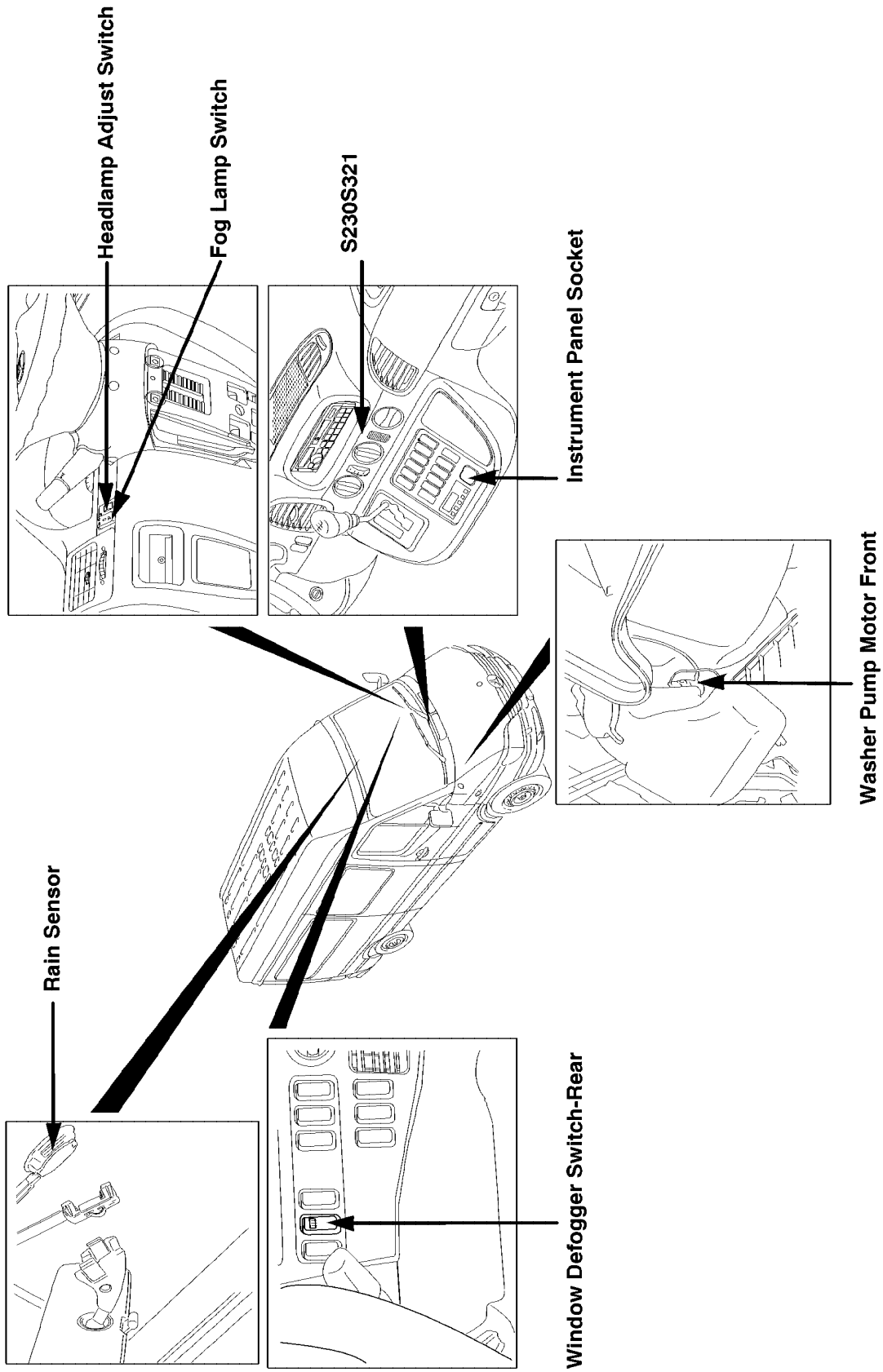


Fig. 25 INTERIOR COMPONENTS 3

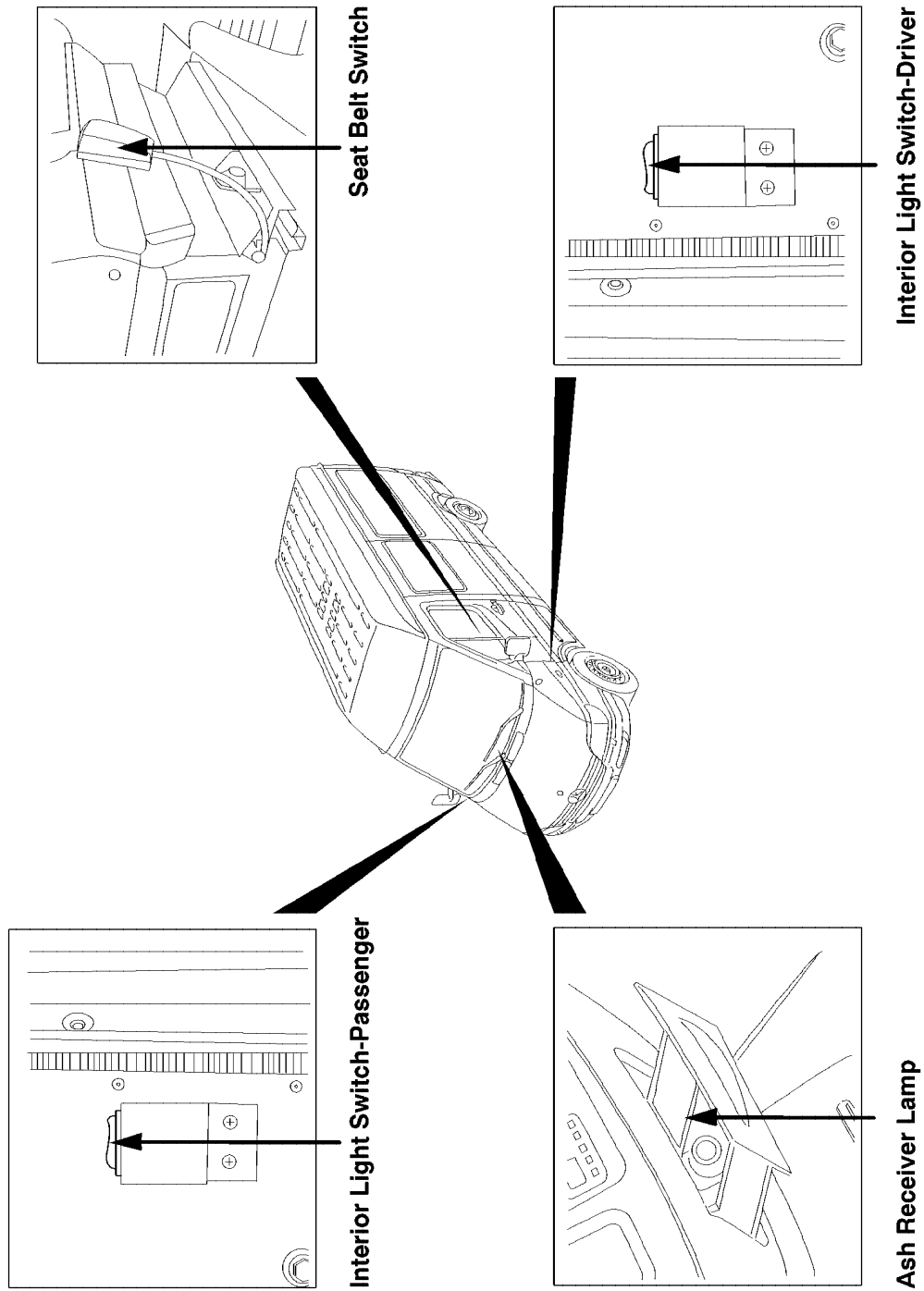


Fig. 26 INTERIOR COMPONENTS 4

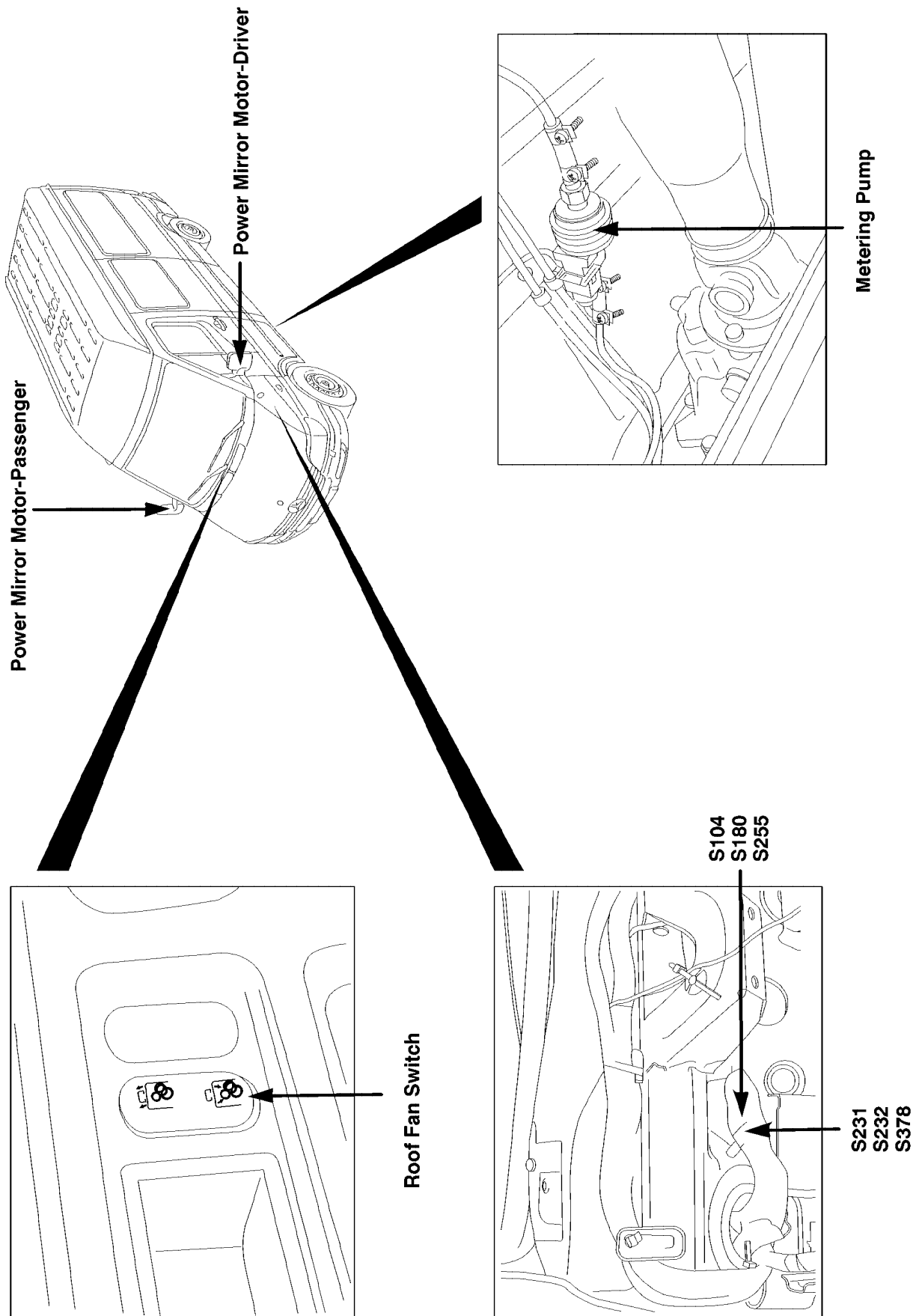


Fig. 27 MIRRORS AND INTERIOR

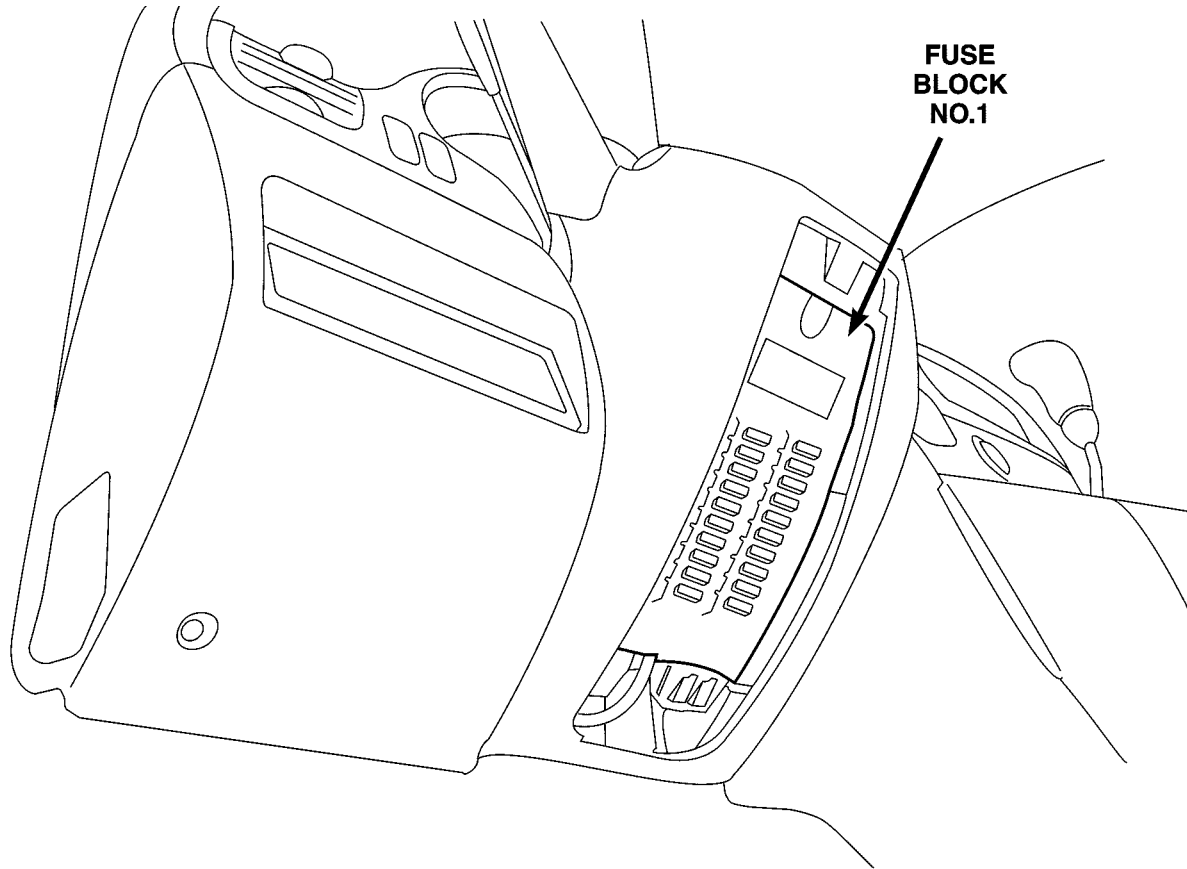


Fig. 28 FUSE BLOCK NO. 1

81119bd5

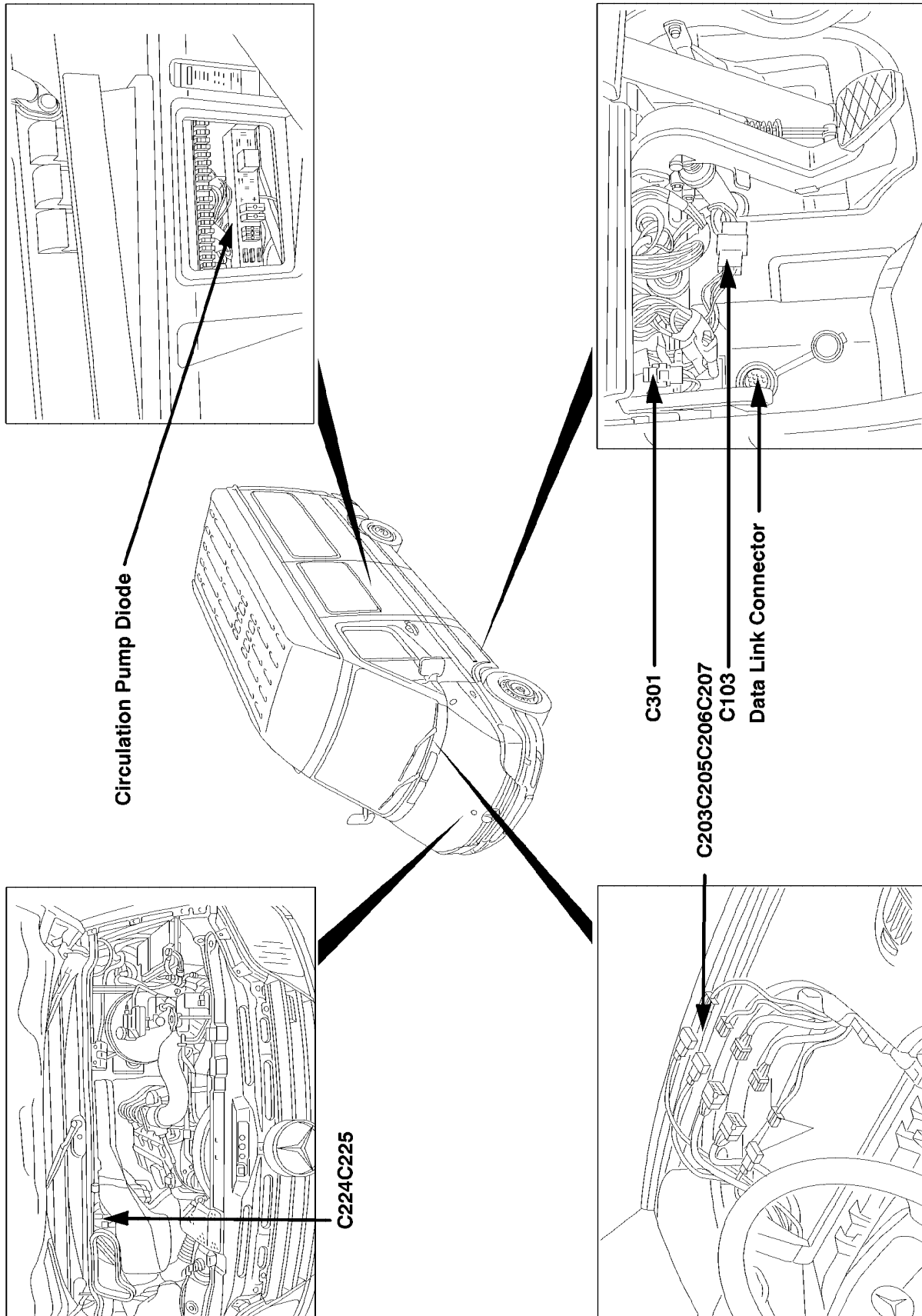


Fig. 29 DASH INLINE CONNECTORS

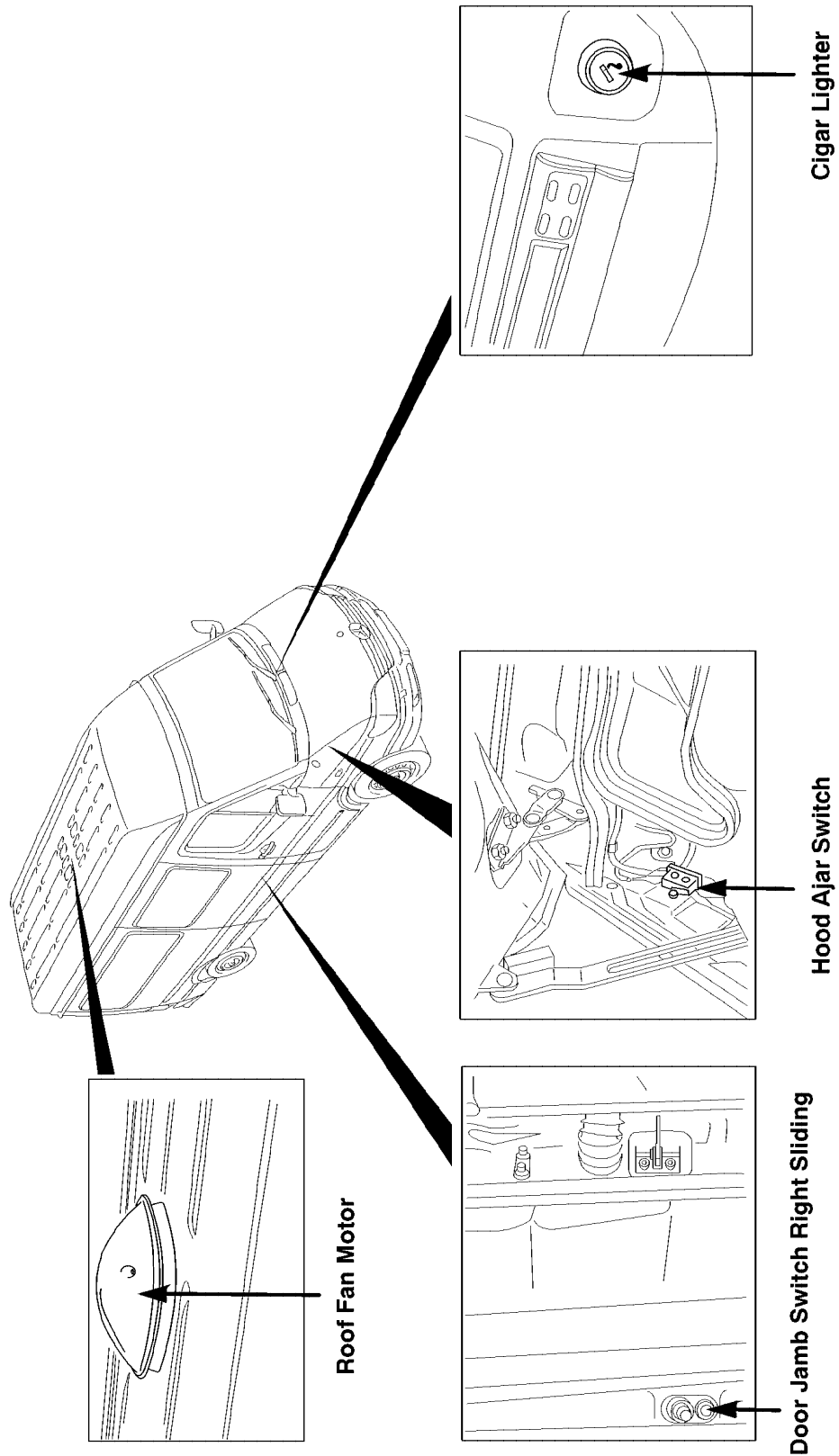


Fig. 30 AJAR SWITCHES, LIGHTER, ROOF FAN

81119be9

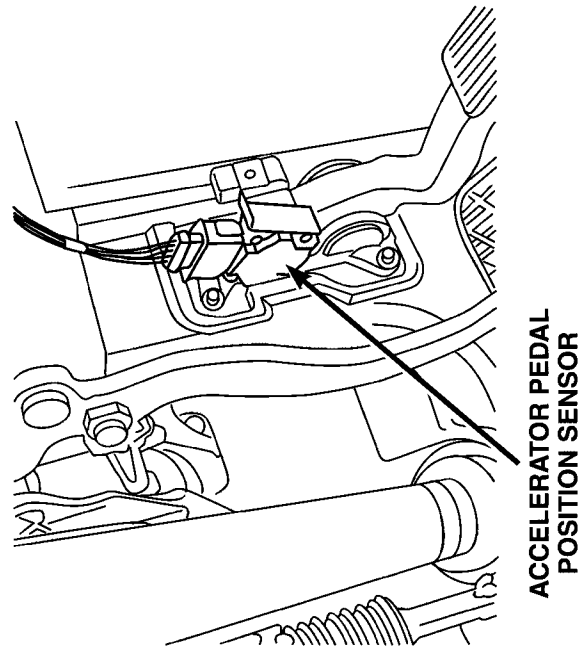
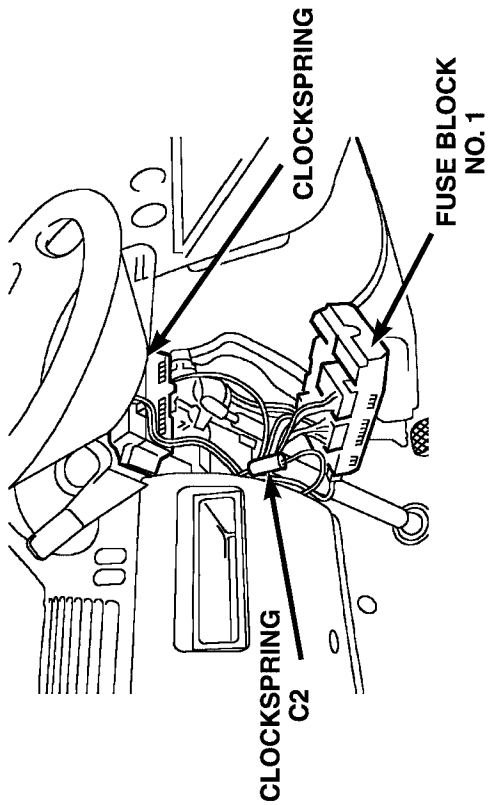
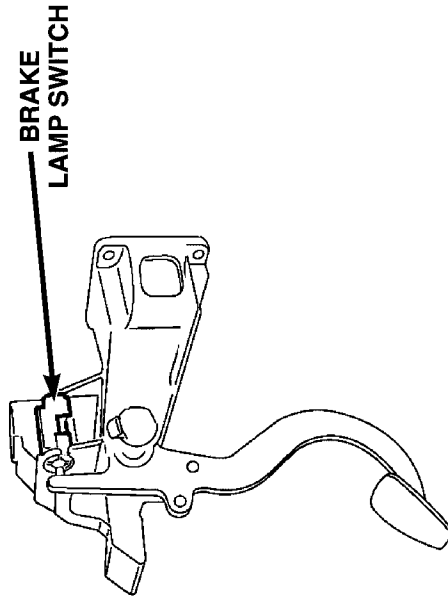
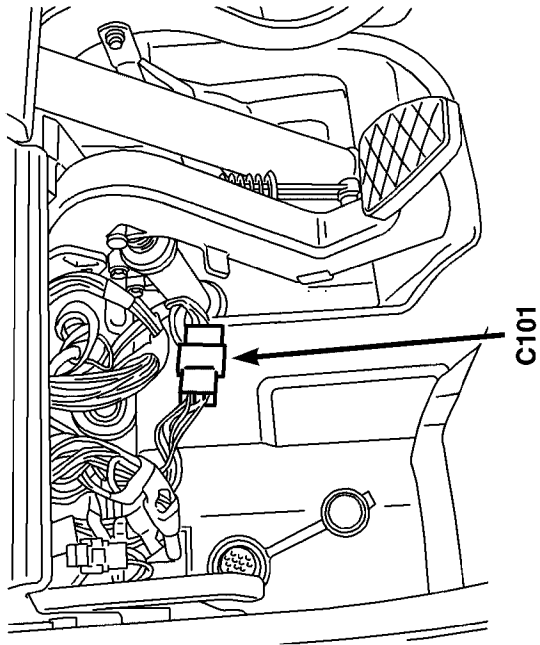


Fig. 31 STEERING COLUMN AND PEDALS

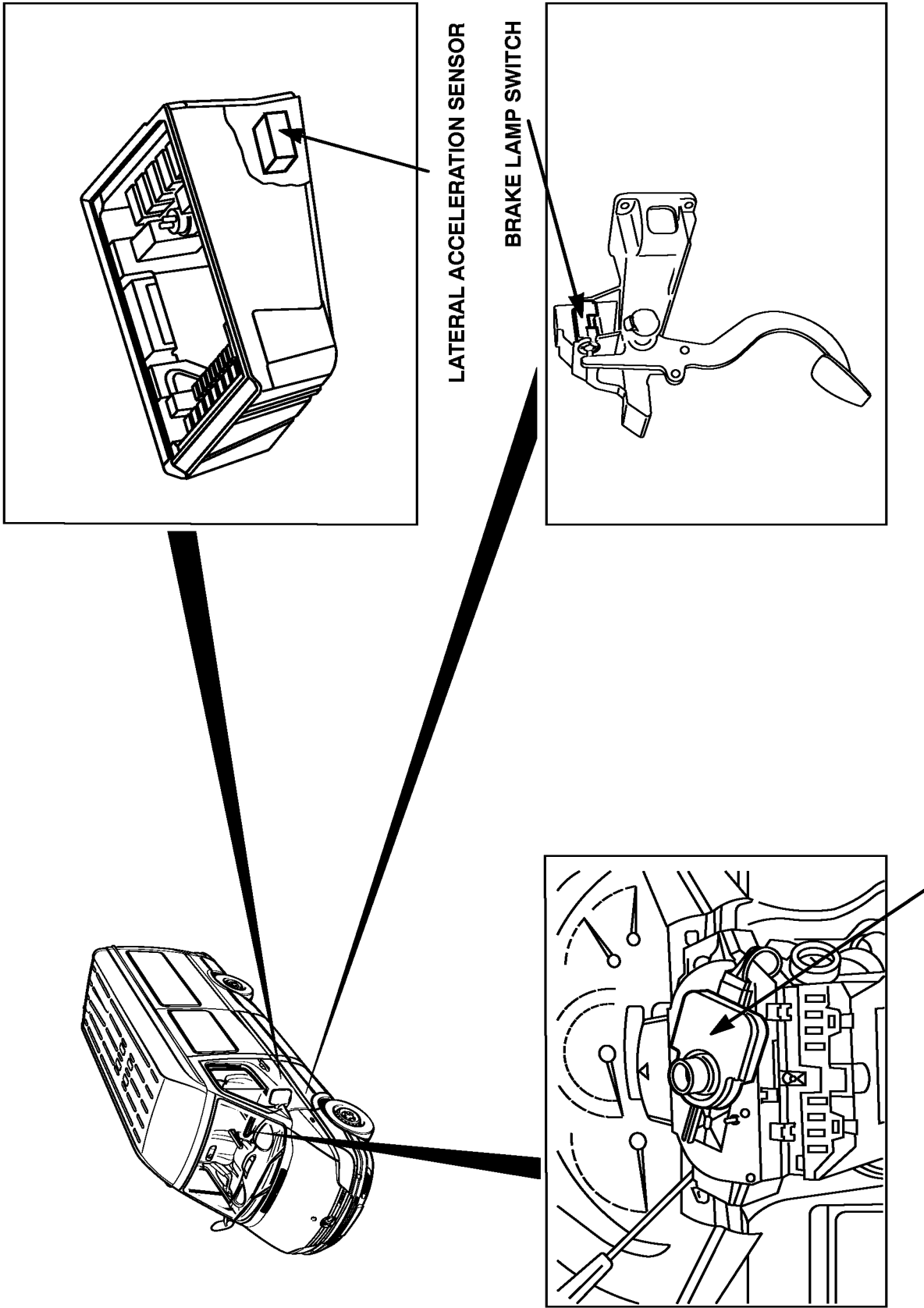


Fig. 32 STEERING SYSTEM

81119bed

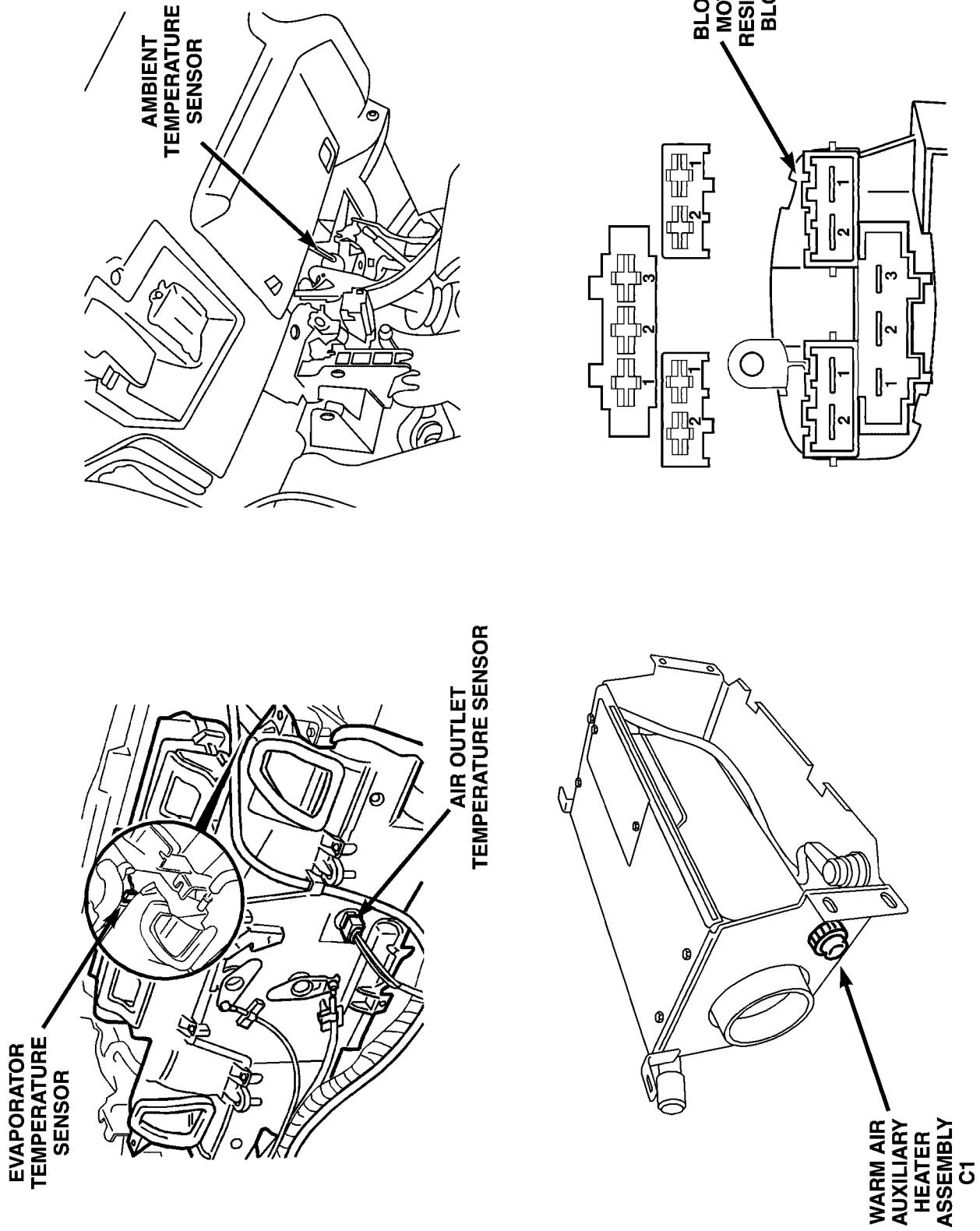


Fig. 33 HVAC ASSEMBLY

81119614

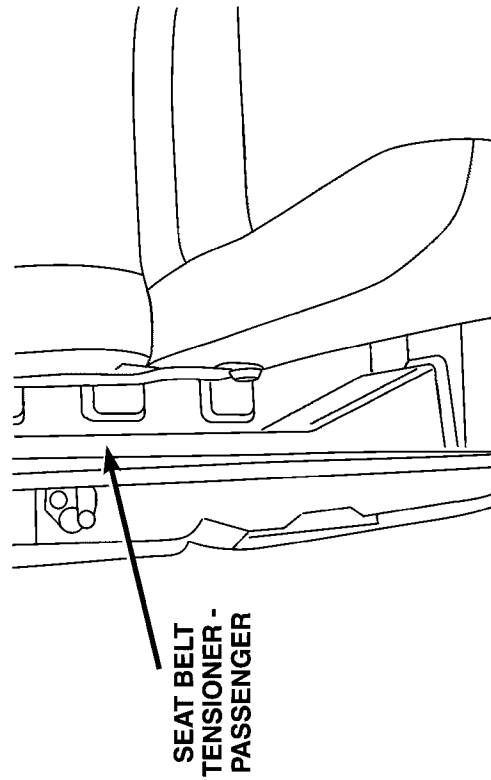
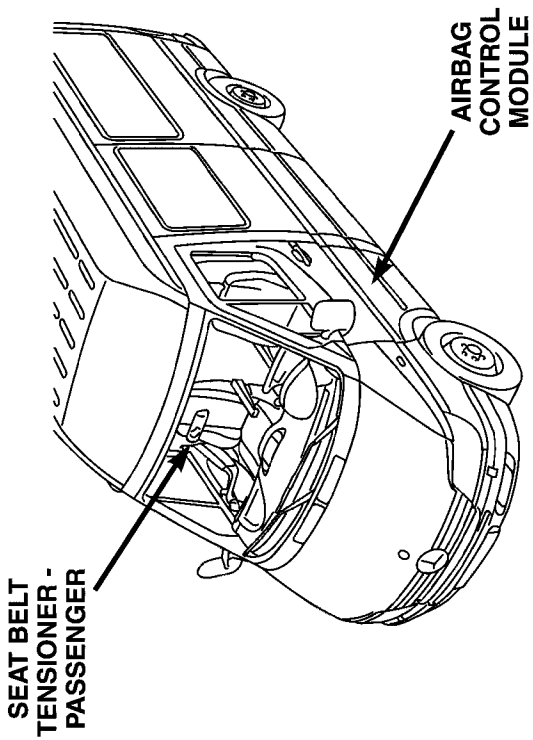
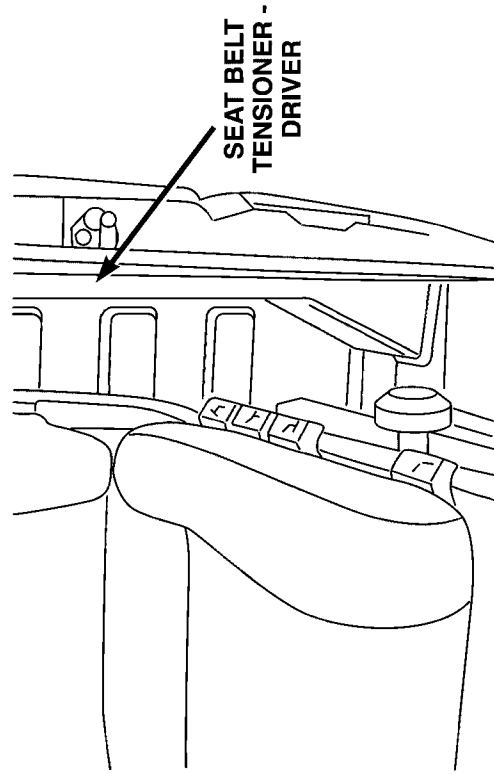
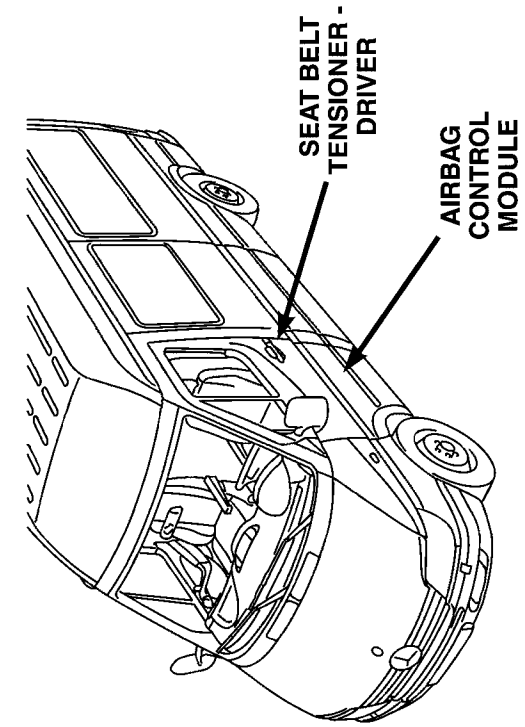
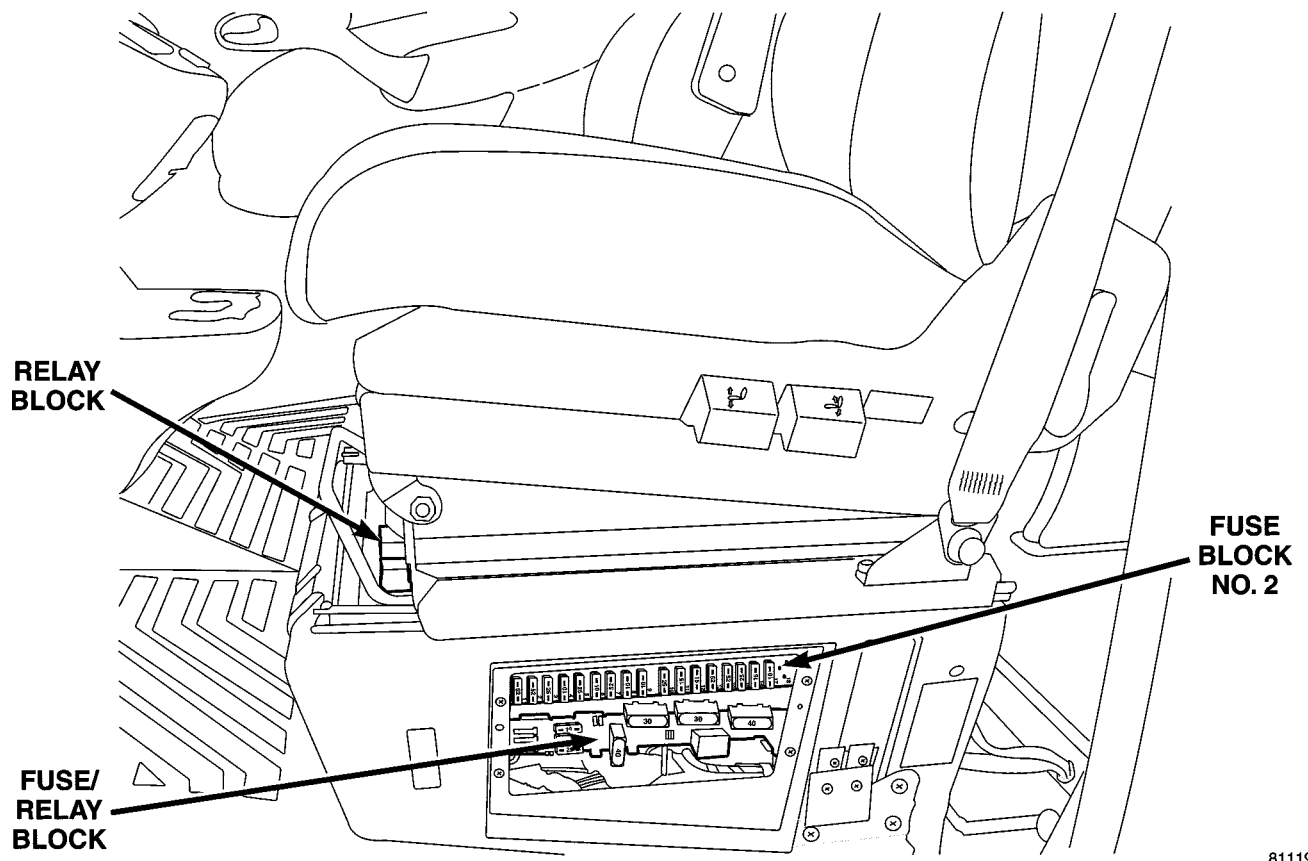


Fig. 34 RESTRAINTS



81119bf8

Fig. 35 FUSE AND RELAY BLOCKS

813d6a06

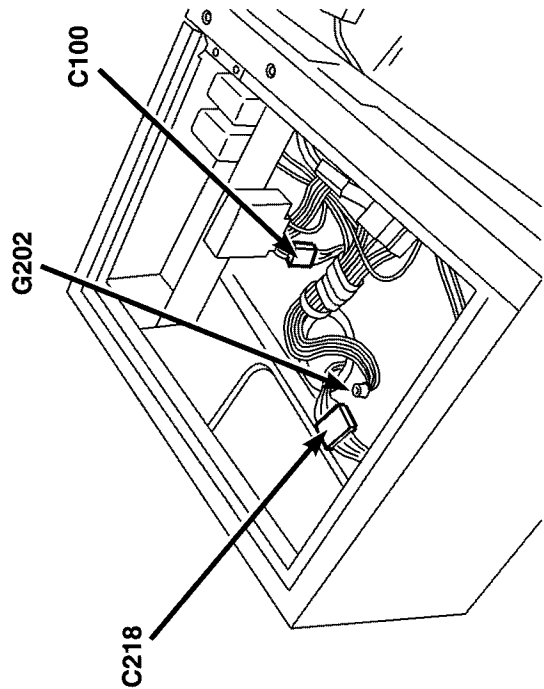
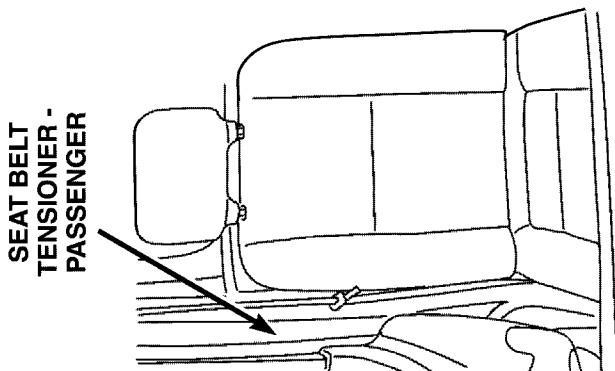
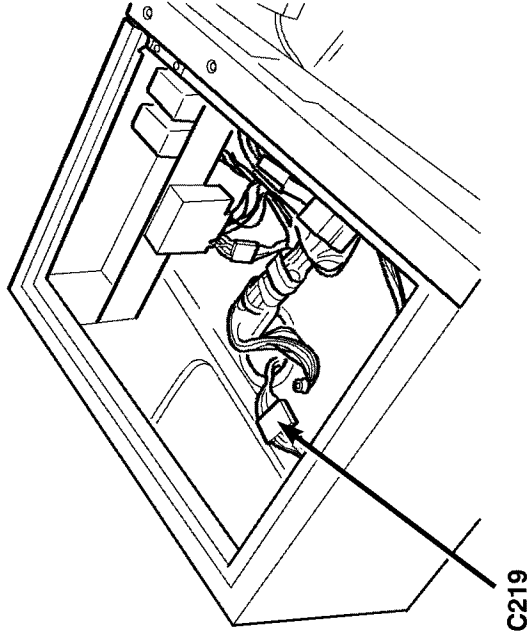
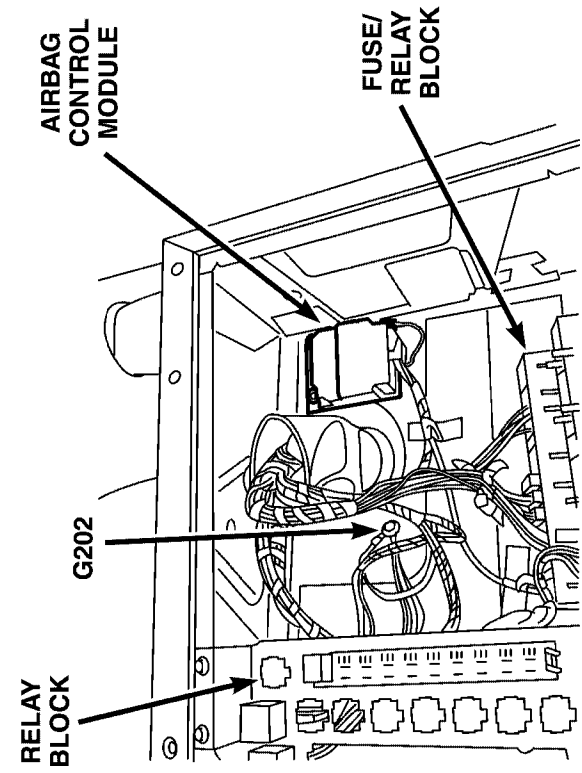


Fig. 36 UNDER DRIVER SEAT

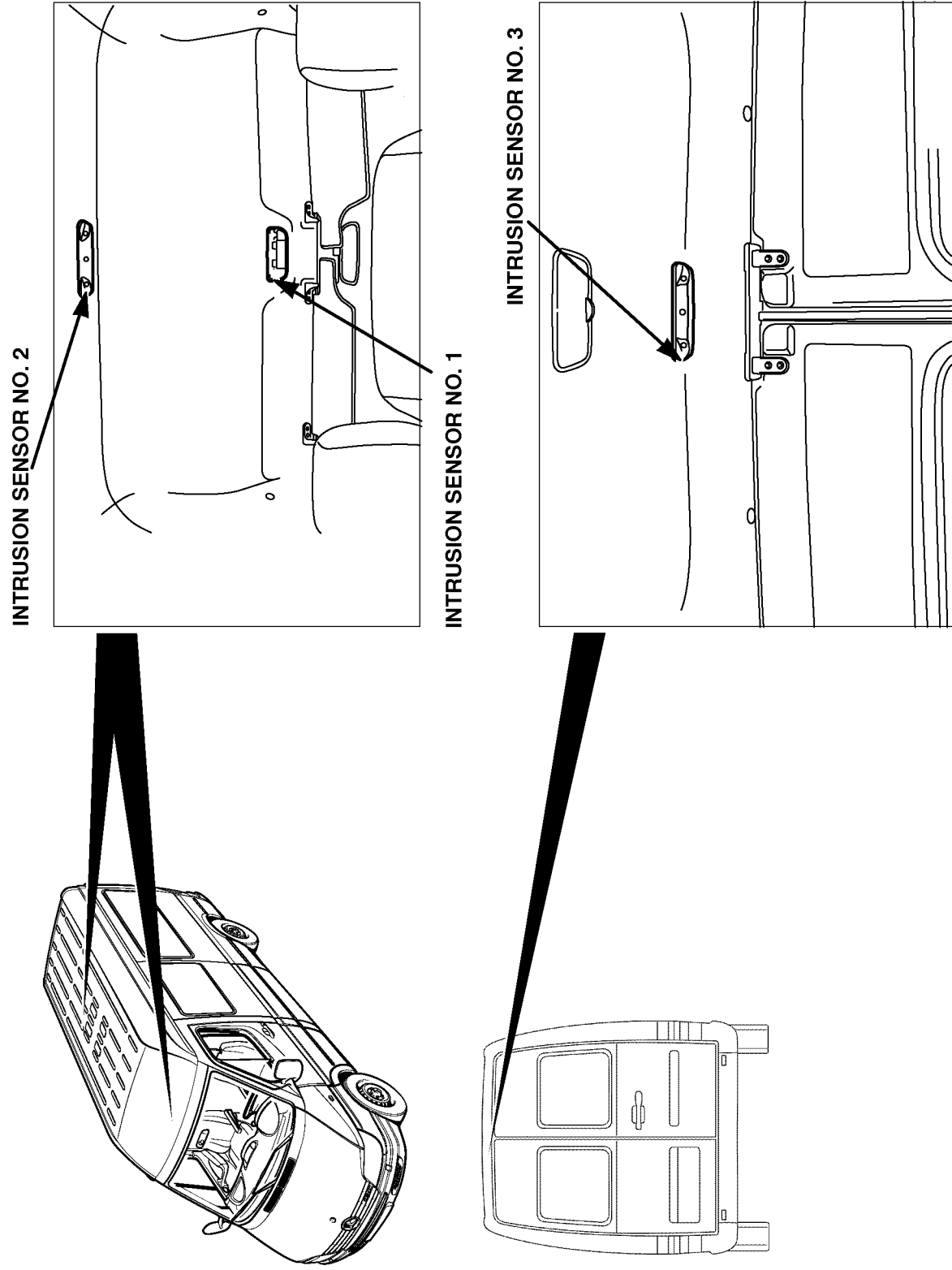


Fig. 37 INTRUSION SENSORS

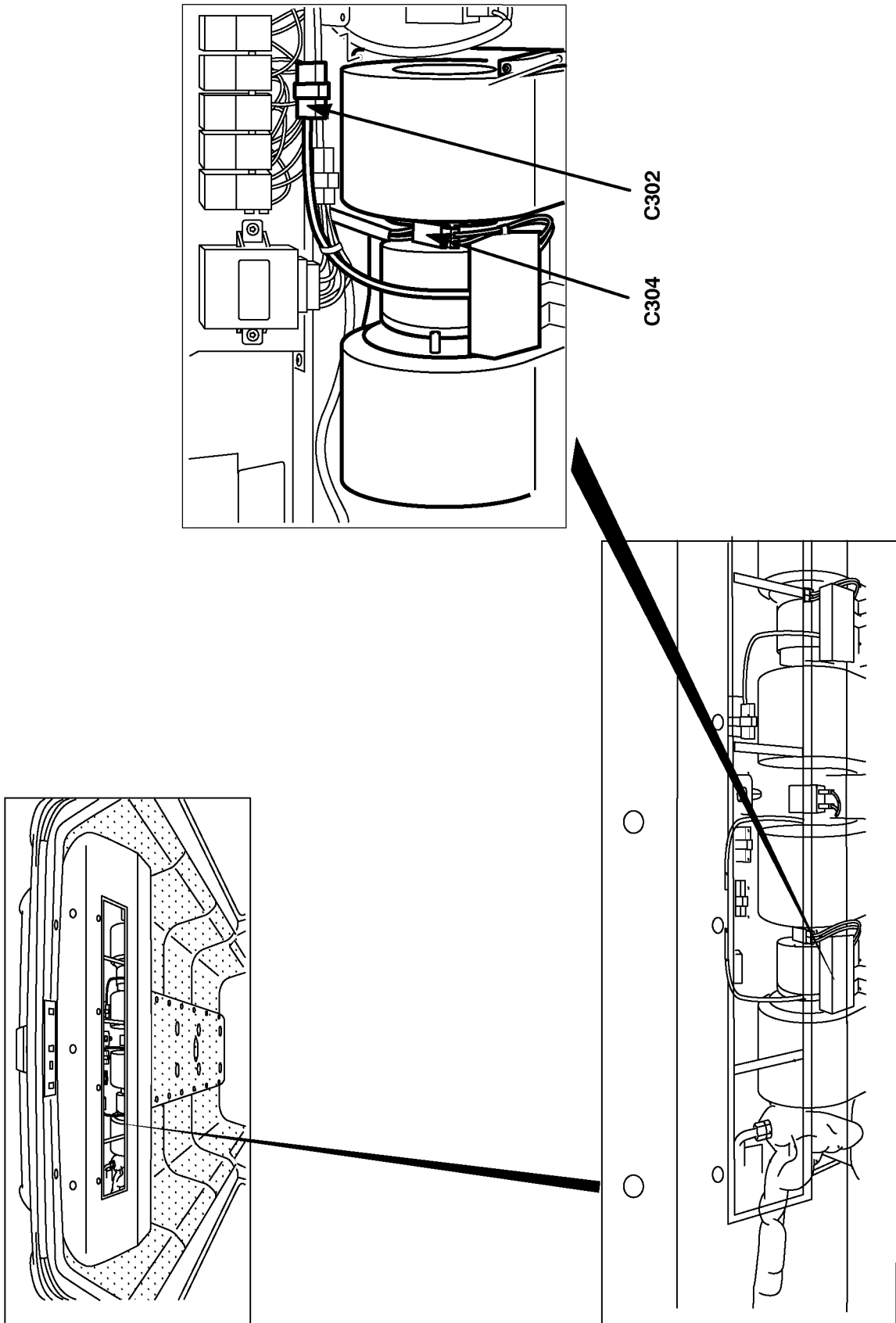


Fig. 38 ROOF INLINE CONNECTORS

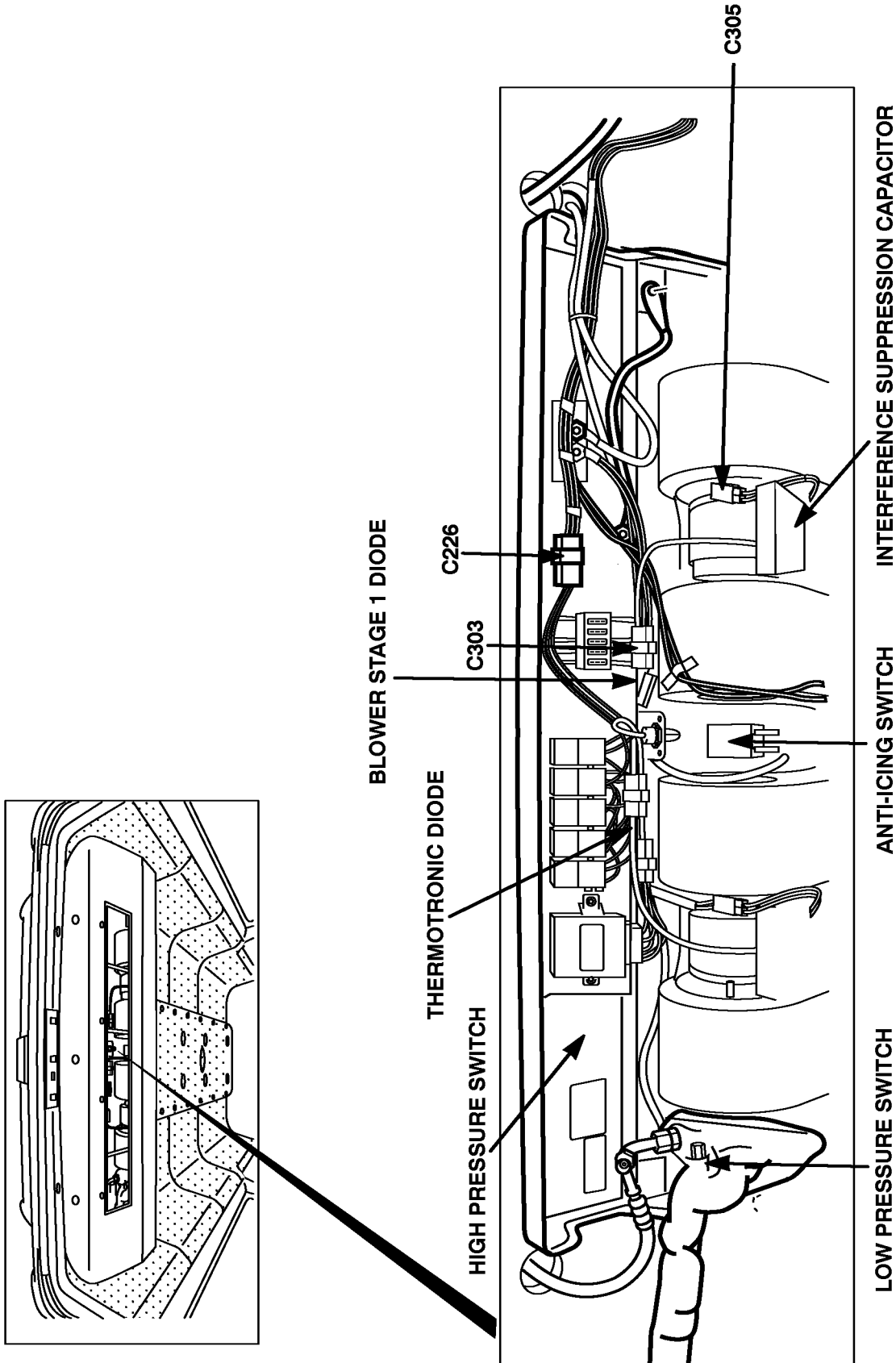


Fig. 39 ROOF A/C UNIT

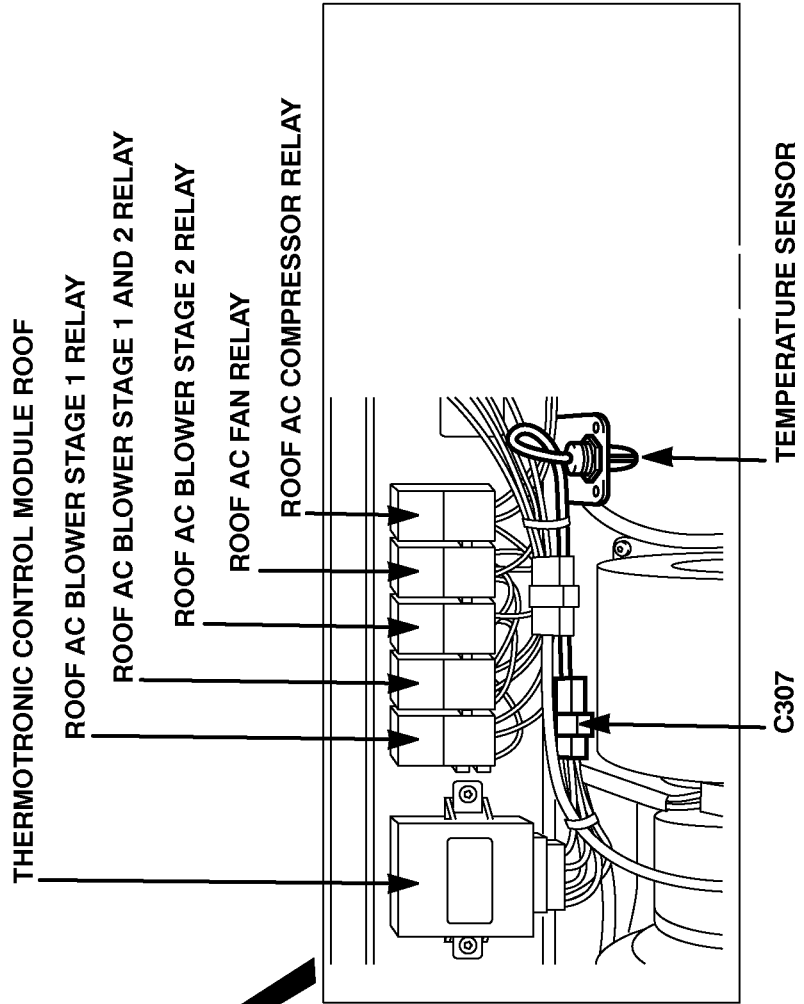
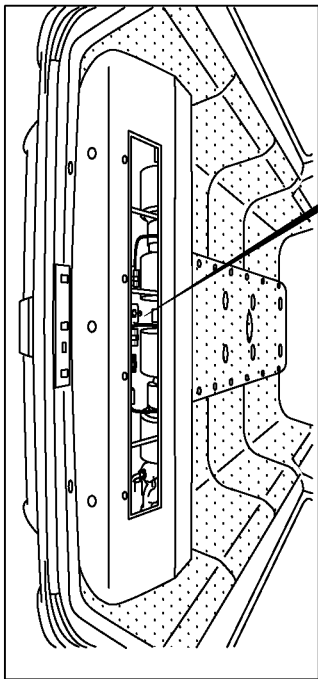


Fig. 40 ROOF A/C RELAYS AND MODULE

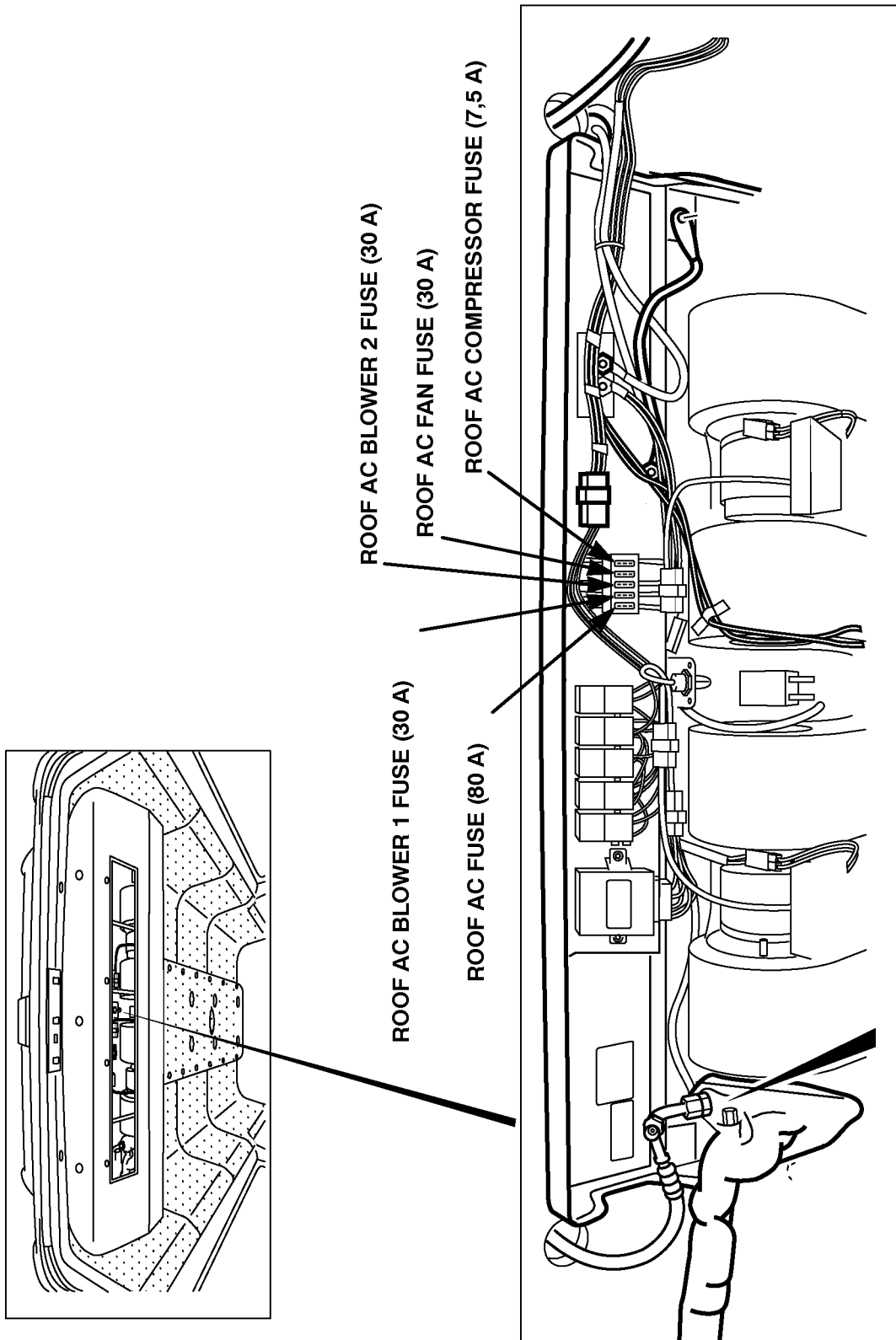


Fig. 41 ROOF A/C FUSES

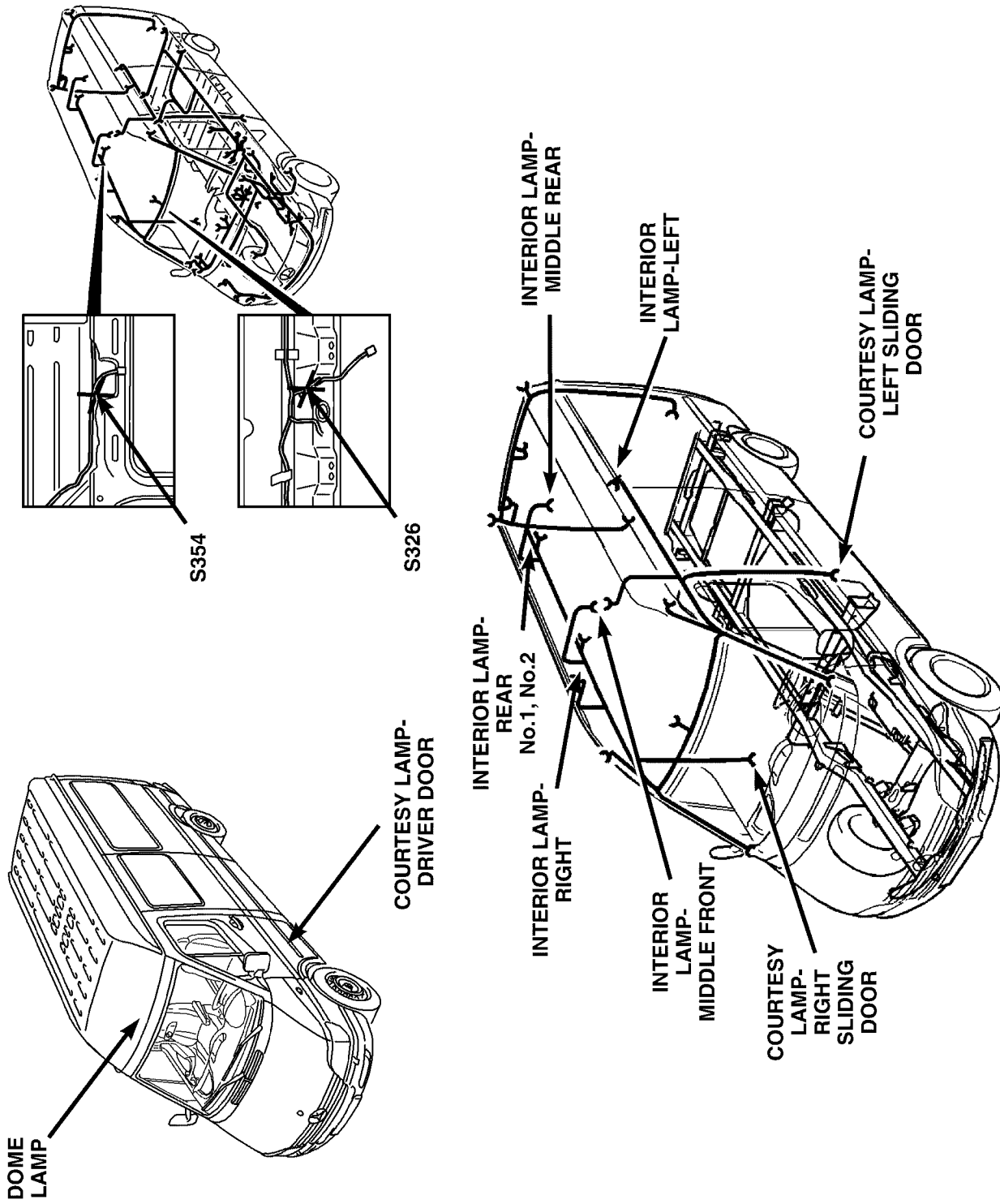


Fig. 42 INTERIOR LAMPS

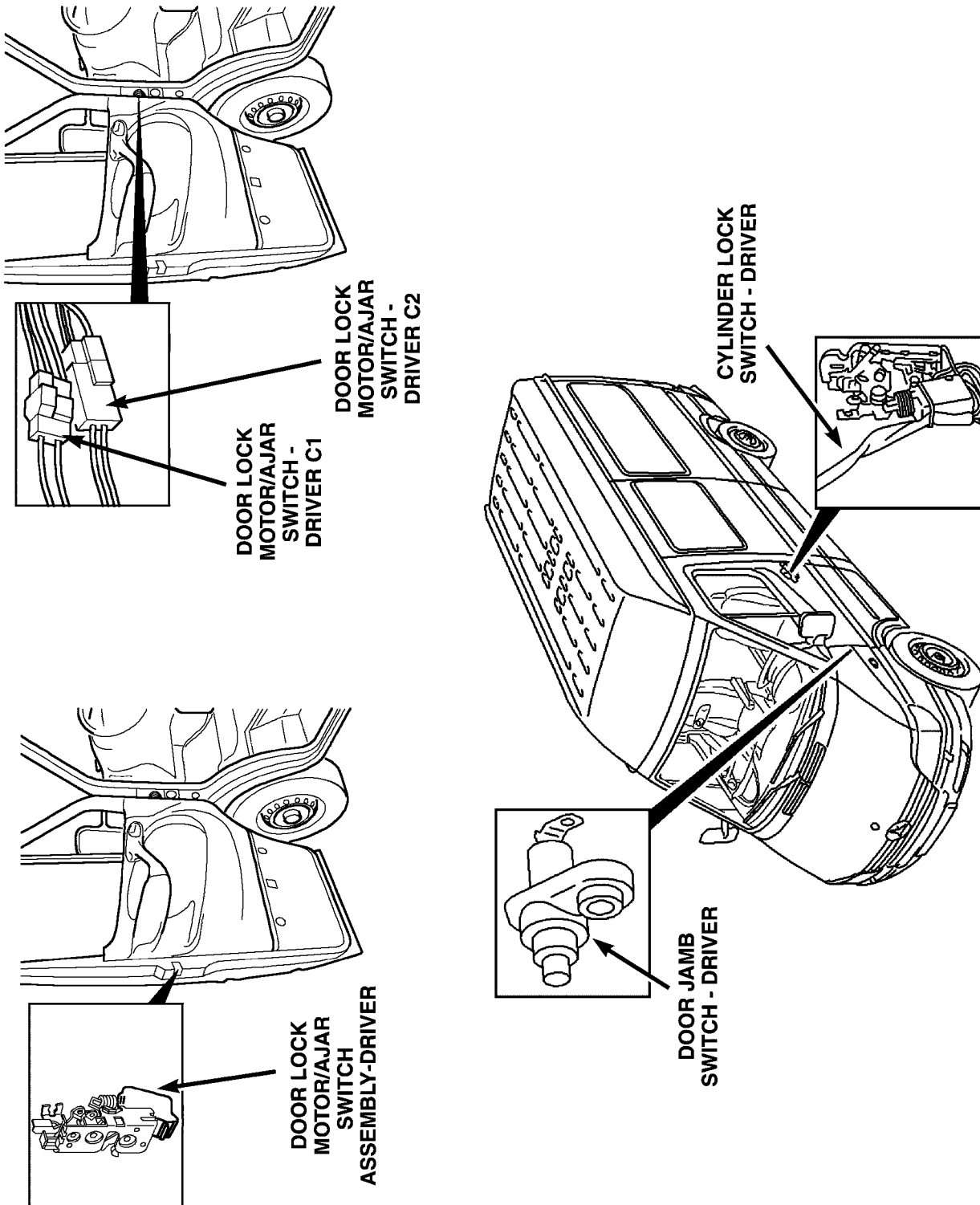


Fig. 43 POWER DOOR LOCKS

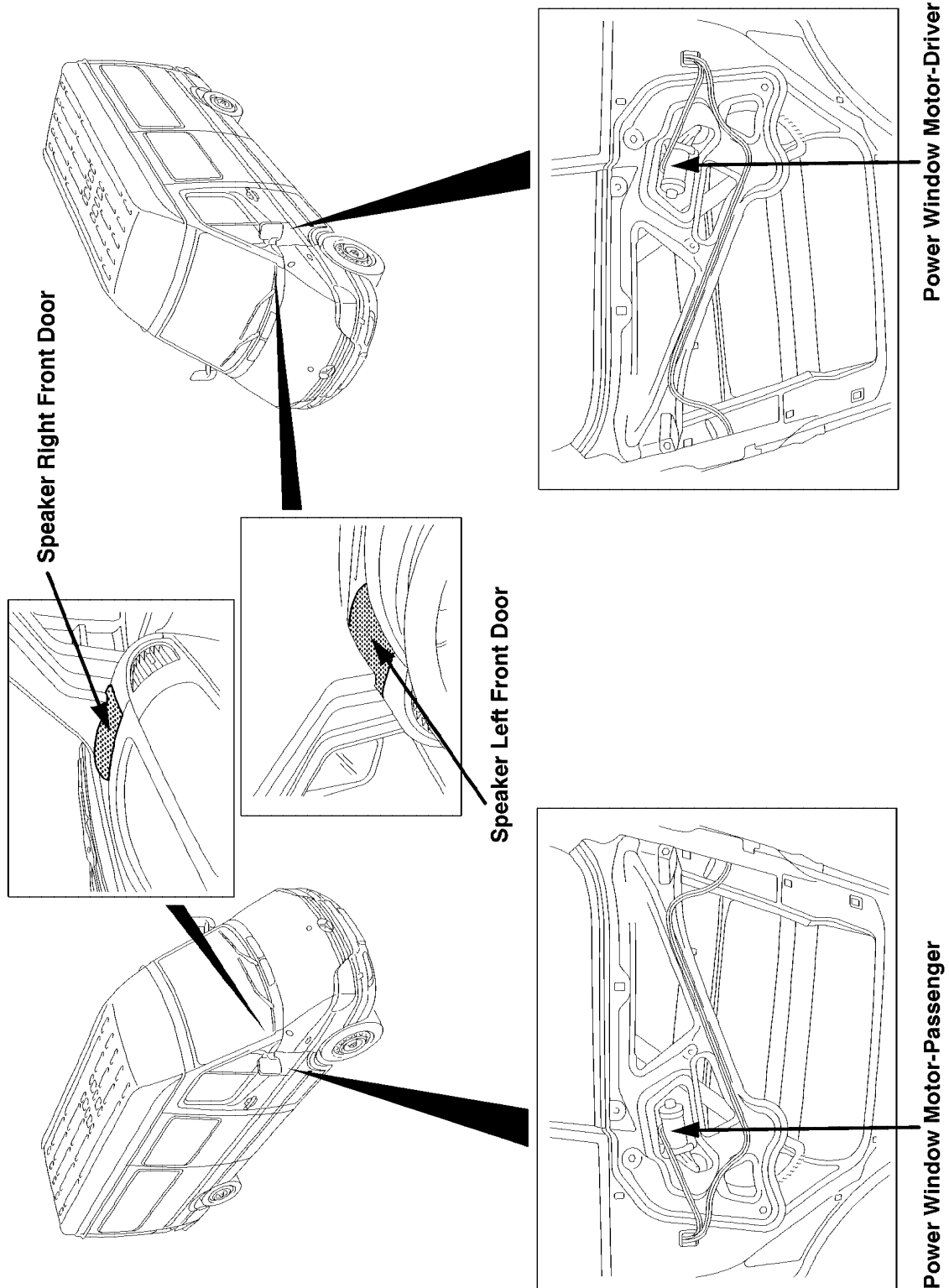


Fig. 44 WINDOW MOTORS AND SPEAKERS

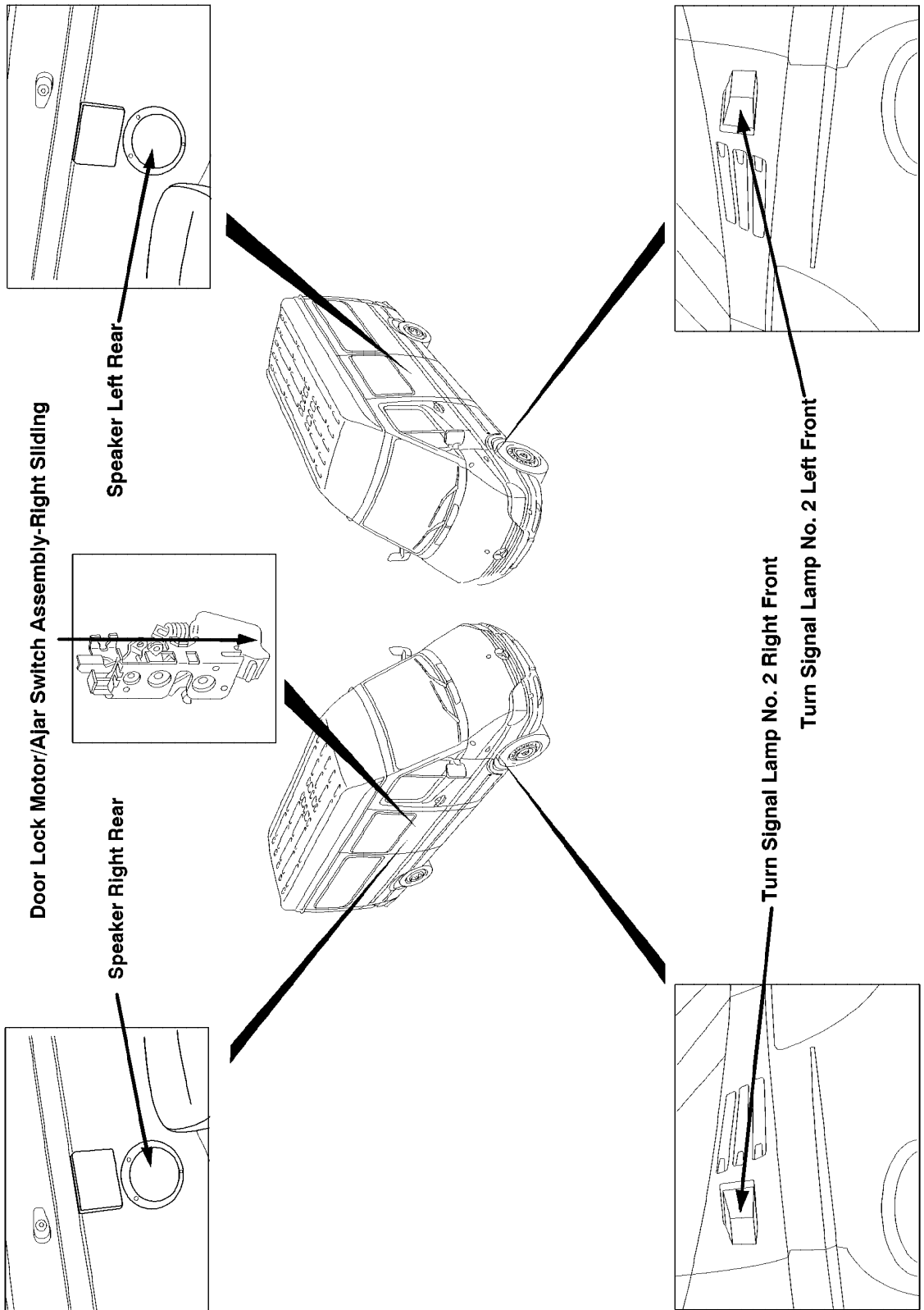


Fig. 45 DOORS AND TURN SIGNALS

81115587

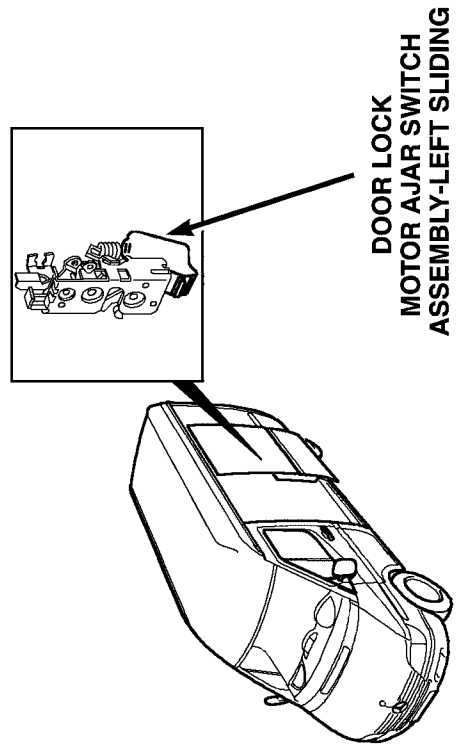
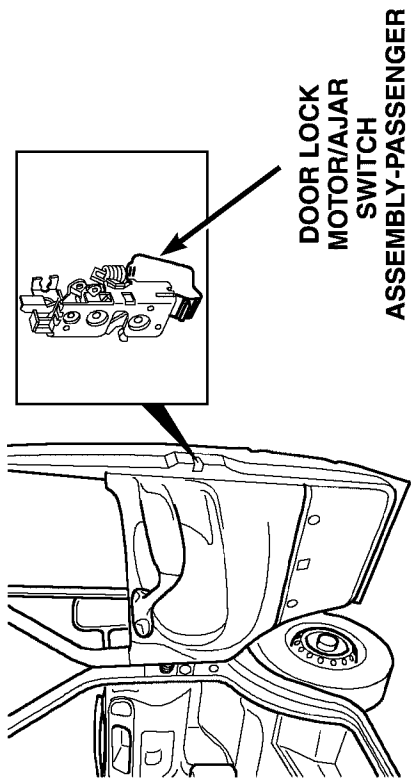
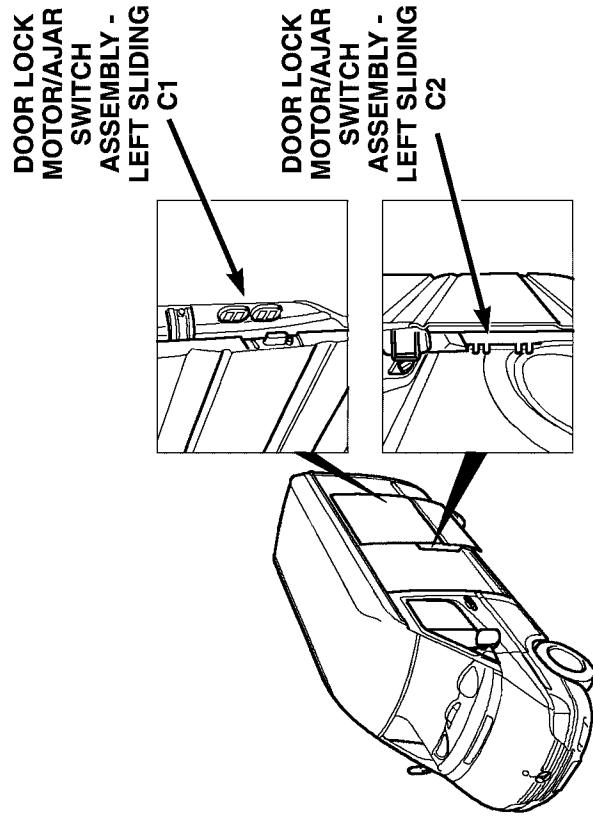
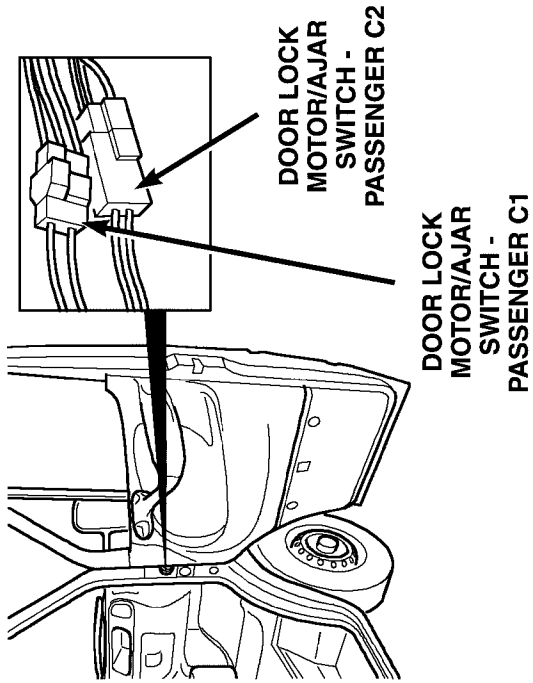


Fig. 46 DOOR LOCK MOTOR/AJAR SWITCH

813d6a3e

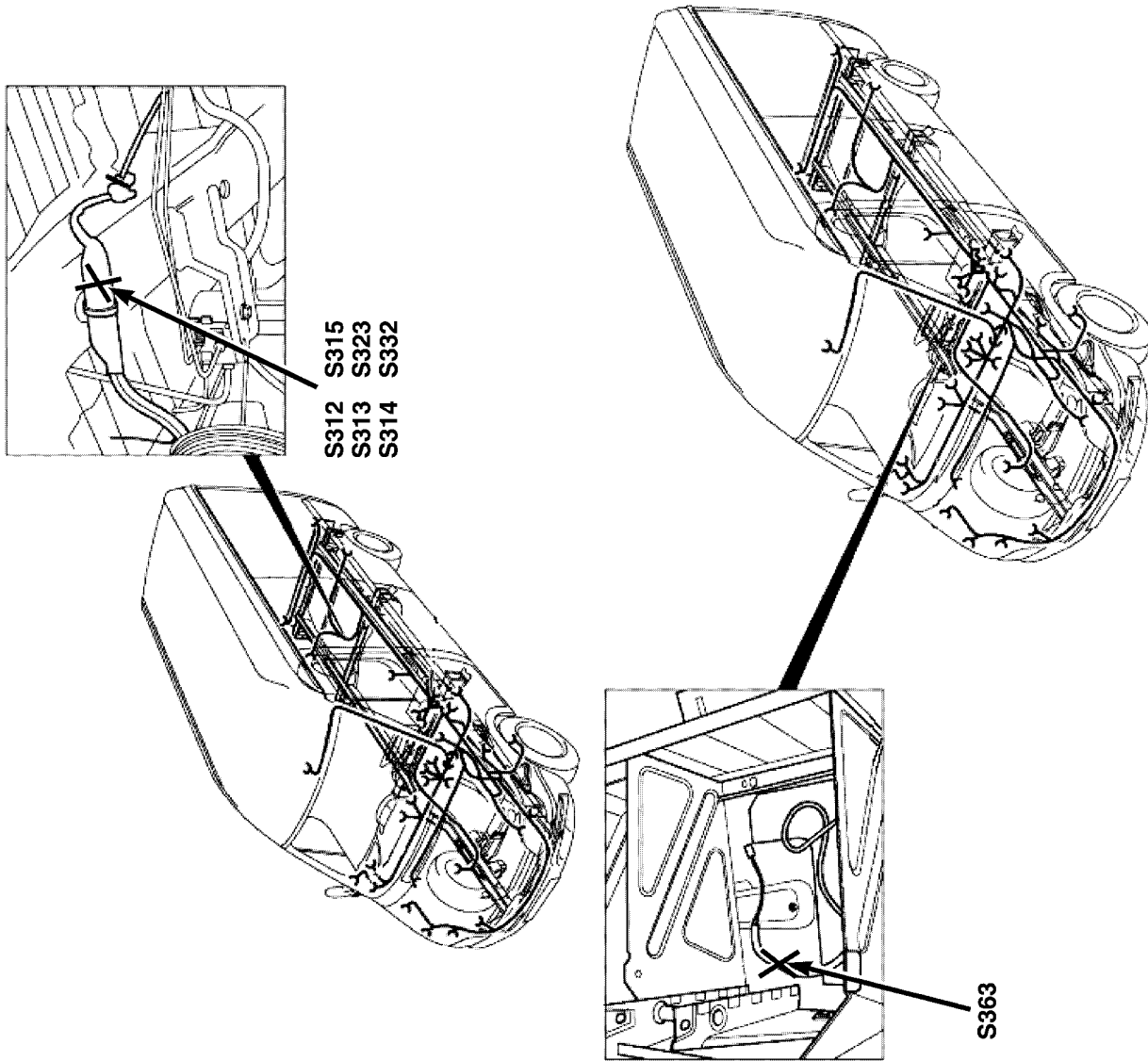


Fig. 47 UNDERBODY SPLICES

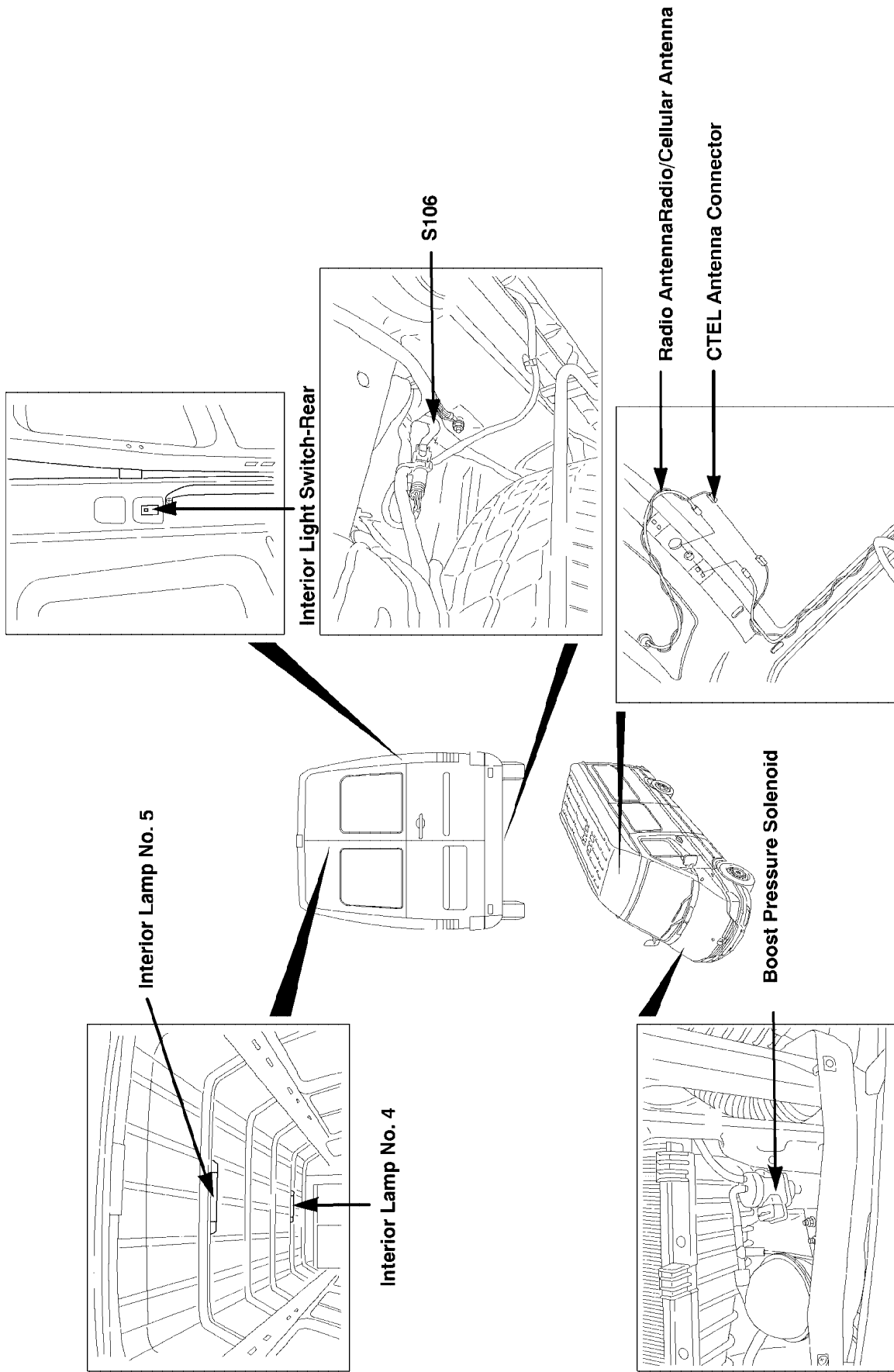


Fig. 48 INTERIOR LAMPS, ANTENNA

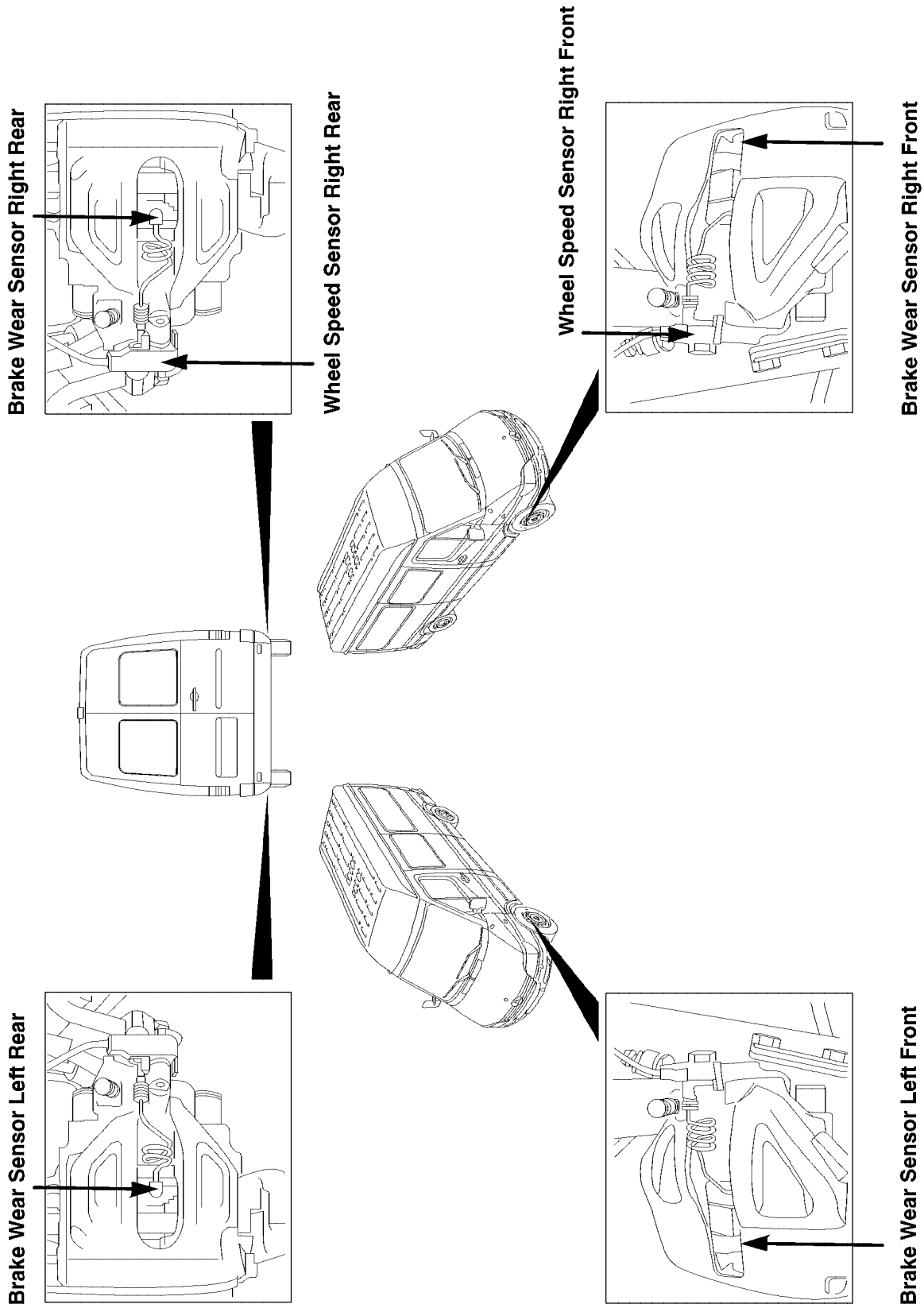


Fig. 49 BRAKE SENSORS

81306a4a

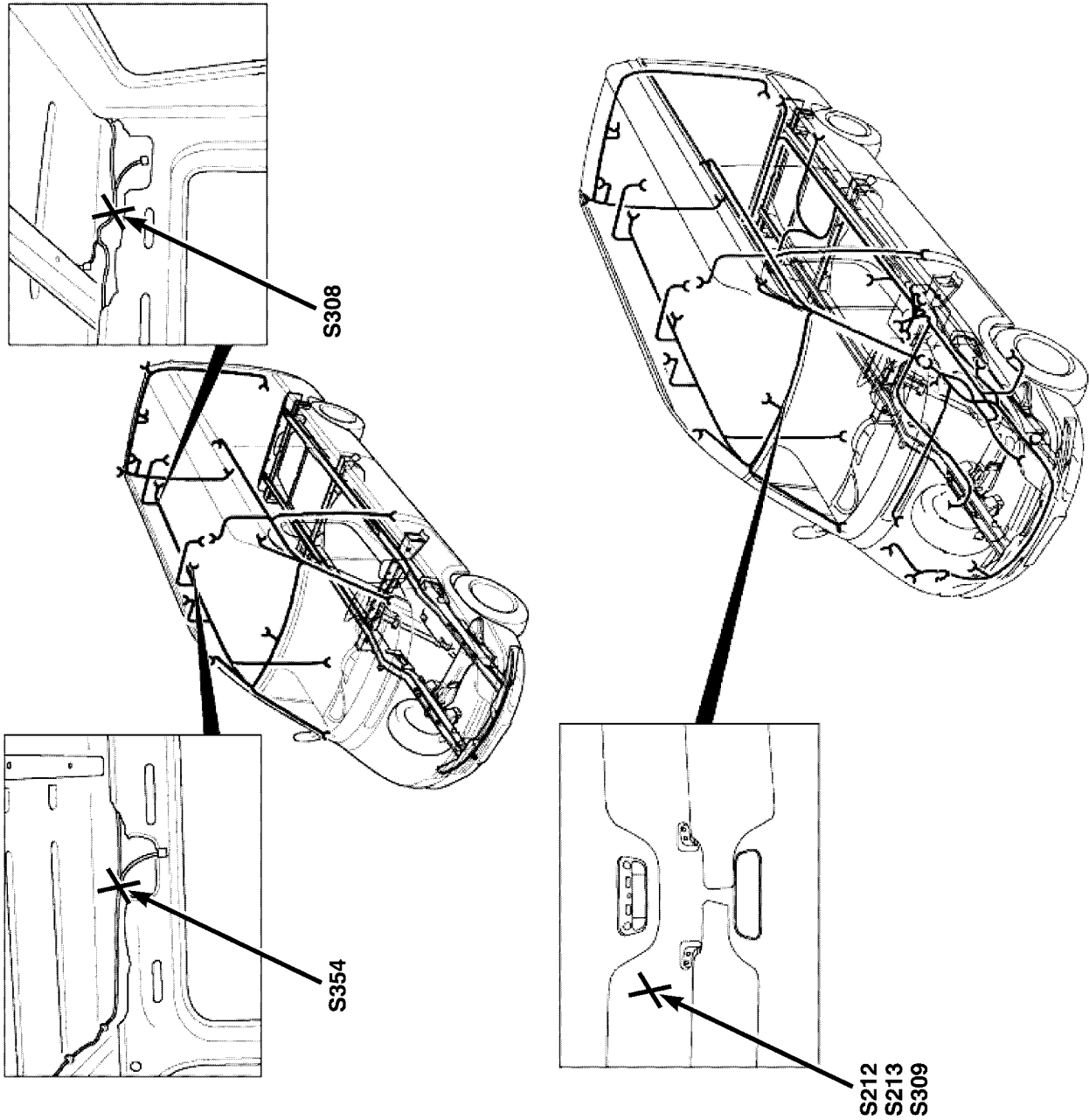


Fig. 50 INTERIOR BODY SPLICES

813d6a55

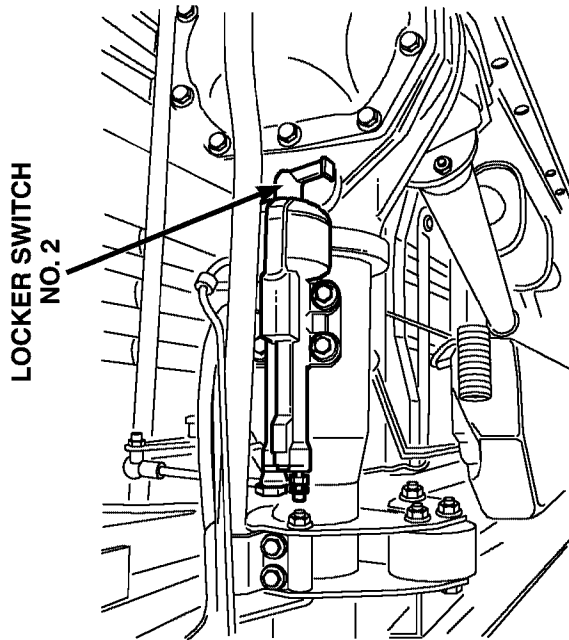
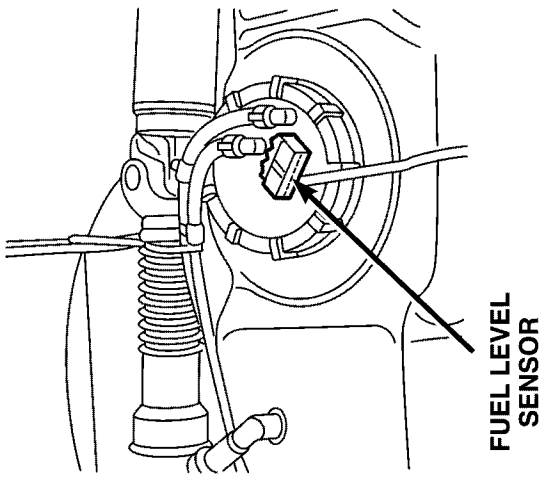
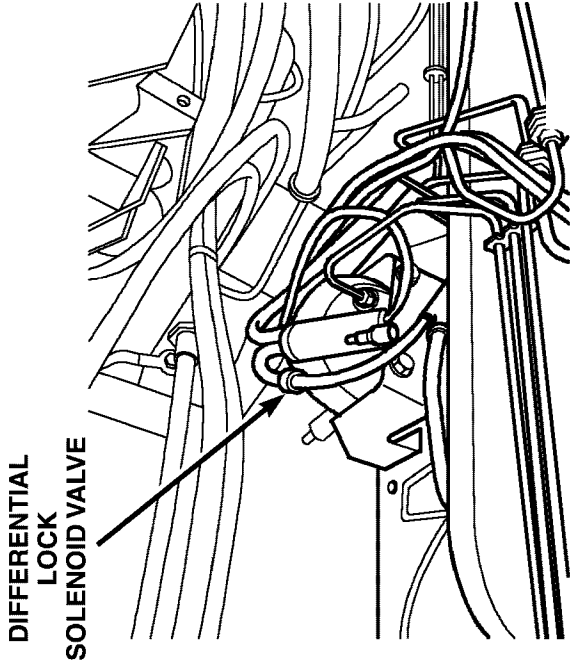


Fig. 51 UNDERBODY

8111b5b9

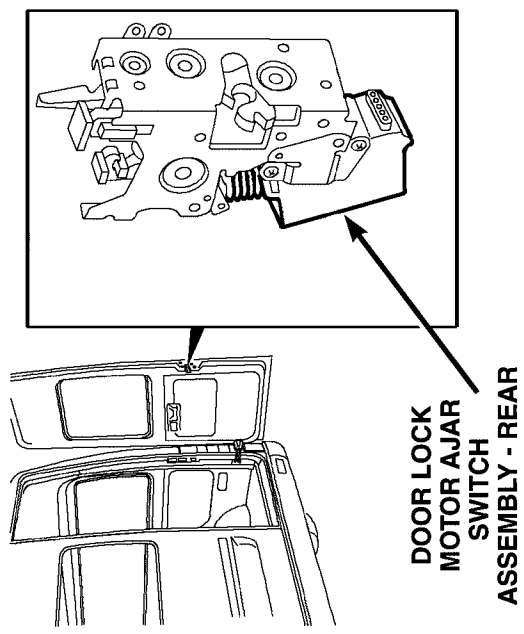
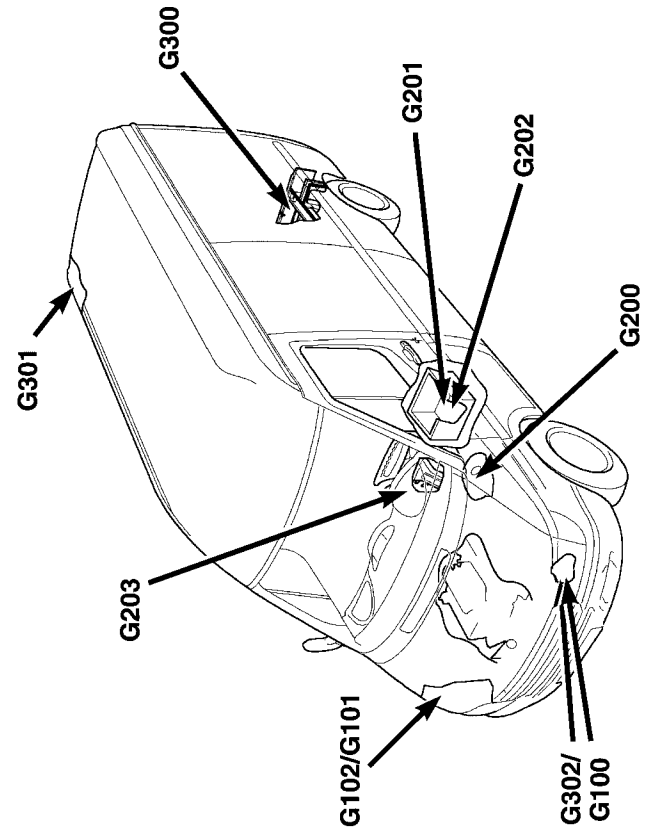
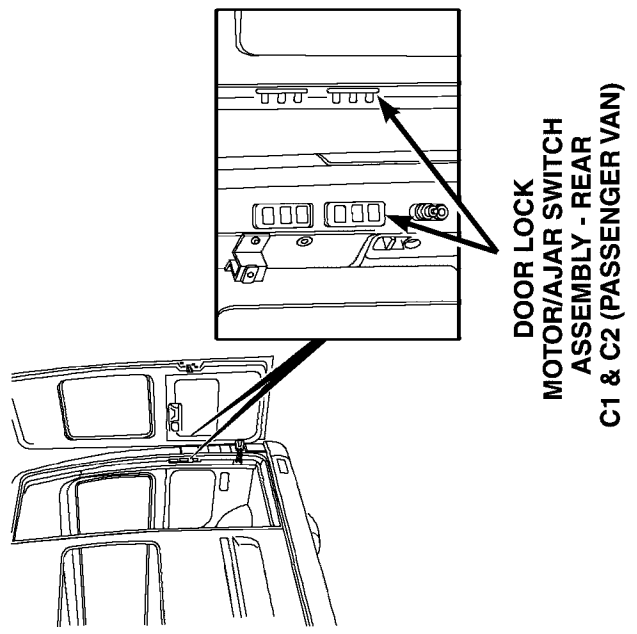
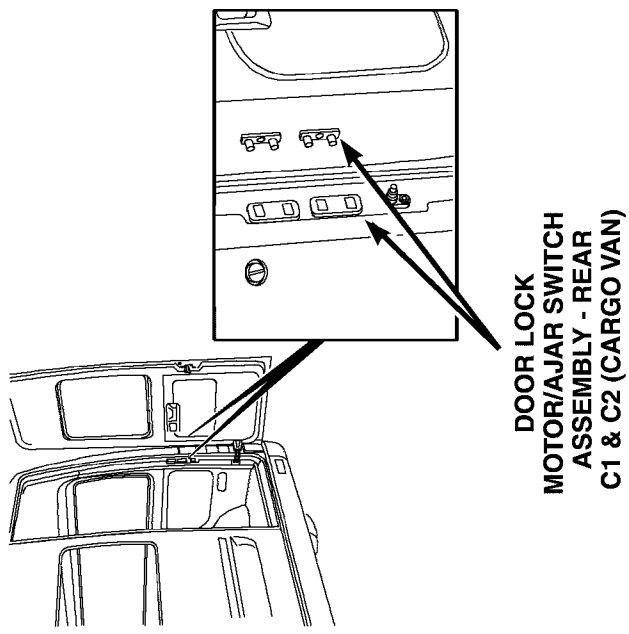


Fig. 52 BODY GROUNDS AND AJAR SWITCHES

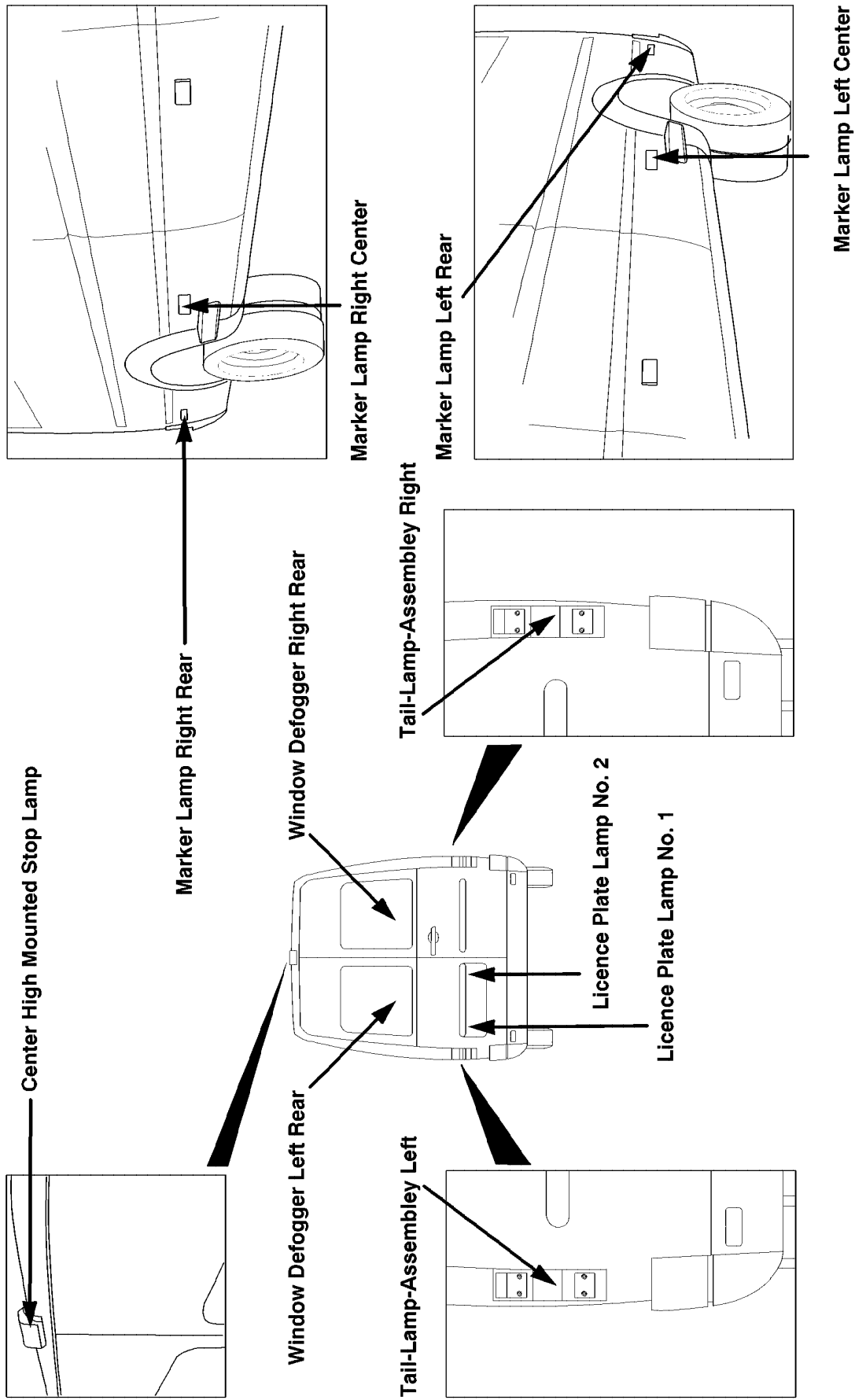


Fig. 53 REAR LIGHTING

8W-97 POWER DISTRIBUTION

TABLE OF CONTENTS

	page		page
POWER DISTRIBUTION		FUSE BLOCK #2	
DESCRIPTION	1	DESCRIPTION	3
OPERATION	1	OPERATION	3
CIGAR LIGHTER OUTLET		POWER DISTRIBUTION CENTER	
DESCRIPTION	1	DESCRIPTION	3
OPERATION	2	OPERATION	3
DIAGNOSIS AND TESTING - CIGAR LIGHTER		POWER OUTLET	
OUTLET	2	DESCRIPTION	3
REMOVAL	2	OPERATION	4
CIRCUIT BREAKER		DIAGNOSIS AND TESTING - POWER OUTLET	4
DESCRIPTION	2	REMOVAL	4
OPERATION	2	INSTALLATION	4
DIAGNOSIS AND TESTING - CIRCUIT		RELAY	
BREAKER	2	DESCRIPTION	4
FUSE BLOCK #1		OPERATION	5
DESCRIPTION	2	DIAGNOSIS AND TESTING - RELAY	5
OPERATION	3	REMOVAL	5
REMOVAL	3	INSTALLATION	5
INSTALLATION	3		

POWER DISTRIBUTION

DESCRIPTION

This section describes the power distribution components used on this model as well as the methods in which battery voltage and charging system voltage is distributed throughout the vehicle. The power distribution system for this vehicle consists of the following major components which are covered in further detail later in this section:

- Fuseblock #1
- Fuseblock #2
- Power Distribution Center (PDC)

The power distribution system also incorporates various types of circuit control and protection features, including:

- Automatic resetting circuit breakers
- Blade-type fuses
- Cartridge fuses
- Relays

Following are general descriptions and theory of operation for the major components in the power distribution system. Refer to Wiring for the location of complete circuit diagrams for the various power distribution system components.

OPERATION

The power distribution system for this vehicle is designed to provide safe, reliable, and centralized distribution points for the electrical current required to operate all of the standard and optional factory-installed electrical and powertrain, chassis, safety, security and convenience systems. At the same time, the power distribution system was designed to provide easy access to these electrical distribution points for the vehicle technician to use when conducting diagnosis and repair of faulty circuits. The power distribution system can also prove useful for the addition of electrical circuits that may be required to operate accessories that the vehicle owner may choose to have installed in the aftermarket.

CIGAR LIGHTER OUTLET

DESCRIPTION

The cigar lighter outlet is installed in the instrument panel, near the center of the instrument panel. The cigar lighter outlet is secured by a snap fit within the instrument panel.

The cigar lighter knob/heating element, and the cigar lighter outlet are available for service. These components cannot be repaired and, if faulty or damaged, they must be replaced.

OPERATION

The cigar lighter consists of two major components: a knob and heating element unit, and the cigar lighter base or receptacle shell. The receptacle shell is connected to ground, and an insulated contact in the bottom of the shell is connected to battery current. The cigar lighter receives battery voltage from a fuse in the fuseblock only when the ignition switch is in the Accessory or On positions.

The knob and heating element are encased within a spring-loaded housing, which also features a sliding protective heat shield. When the heating element is inserted in the receptacle shell, the heating element resistor coil is grounded through its housing to the receptacle shell. If the cigar lighter knob is pushed inward, the heat shield slides up toward the knob exposing the heating element.

Two small spring-clip retainers are located on either side of the insulated contact inside the bottom of the receptacle shell. These clips engage and hold the heating element against the insulated contact long enough for the resistor coil to heat up and glow.

When the resistor coil becomes sufficiently heated, excess heat radiates from the heating element causing the spring-clips to expand. Once the spring-clips expand far enough to release the heating element, the spring-loaded housing forces the knob and heating element to pop back outward to their relaxed position. When the cigar lighter knob and element are pulled out of the receptacle shell, the protective heat shield slides downward on the housing so that the heating element is recessed and shielded around its circumference for safety.

DIAGNOSIS AND TESTING - CIGAR LIGHTER OUTLET

For cigar lighter outlet diagnosis and testing procedures (Refer to 8 - ELECTRICAL/POWER DISTRIBUTION/POWER OUTLET - DIAGNOSIS AND TESTING)

REMOVAL

For cigar lighter outlet removal procedure (Refer to 8 - ELECTRICAL/POWER DISTRIBUTION/POWER OUTLET - REMOVAL).

CIRCUIT BREAKER

DESCRIPTION

Automatic resetting circuit breakers are used to protect the power window voltage supply circuits. These circuit breakers can protect the systems from a short circuit, or from an overload condition caused by

an obstructed or stuck power window regulator or switch.

The circuit breaker cannot be repaired and, if faulty or damaged, it must be replaced.

OPERATION

The circuit breaker contains a bi-metal strip sandwiched between two contacts forming the connection in the circuit. An overload condition causes the bi-metal strip to heat and bend to the open position, disconnecting current flow to the circuit. Then as the system overload or short circuit is removed, the bi-metal strip cools, re-establishing contact to allow current flow to the circuit.

DIAGNOSIS AND TESTING - CIRCUIT BREAKER

For complete circuit descriptions and diagrams, refer to **Wiring**.

(1) Locate the correct circuit breaker in the fuseblock. Pull out the circuit breaker slightly, but be certain that the circuit breaker terminals still contact the terminals in the fuseblock cavities.

(2) Connect the negative lead of a 12-volt DC voltmeter to a good ground.

(3) With the voltmeter positive lead, check both terminals of the circuit breaker for battery voltage.

If only one terminal has battery voltage, the circuit breaker is faulty and must be replaced. If neither terminal has battery voltage, repair the open circuit from the Power Distribution Center as required.

FUSE BLOCK #1

DESCRIPTION

An electrical fuse block is concealed under the driver side steering column. The fuse block serves to distribute electrical current to many of the electrical systems in the vehicle. The fuse block contains blade-type mini fuses, relays and micro processors that enable automatic control of some of the power distribution circuits throughout the vehicle.

The molded plastic fuse block housing has an integral mounting bracket that is secured with screws to the steering column. A finger recess is molded into the cover for easy removal. A fuse layout map is molded onto the back side of the cover to ensure proper fuse identification.

The fuse block cannot be repaired, if the fuse block is faulty or damaged or if any internal circuit is faulty or damaged, the entire fuse block must be replaced.

OPERATION

All of the circuits entering and leaving the fuse block do so through the instrument panel wire harness. Internal connection of all of the fuse block circuits is accomplished by an intricate combination of hard wiring and bus bars. Internal relays and micro processors allow the vehicle electronics to control some of the power distribution circuits throughout the vehicle. Refer to the Wiring section for complete circuit diagrams.

REMOVAL

- (1) Disconnect and isolate the negative battery cable.
- (2) Remove fuse block cover by rotating locking screw 90°.
- (3) Remove the steering column cover. Refer to the Body section for the procedure.
- (4) Unscrew fuse block connections and disconnect all electrical connectors from the fuse block.
- (5) Remove the fuse block from the steering column.

INSTALLATION

- (1) Position the fuse block in the steering column.
- (2) Install fuse block connections and connect all electrical connectors on the fuse block.
- (3) Install the steering column cover. Refer to the Body section for the procedure.
- (4) Install fuse block cover by rotating locking screw 90°.
- (5) Connect the negative battery cable.
- (6) Set time and radio stations.

FUSE BLOCK #2

DESCRIPTION

An electrical fuse block is concealed under the driver side front seat. The fuse block serves to distribute electrical current to many of the electrical systems in the vehicle. The fuse block houses blade-type mini fuses, blade-type automatic resetting circuit breakers and International Standards Organization relays. Additional provisions are available in the fuse block for additional fuses and ISO relays.

The molded plastic fuse block housing has an integral mounting bracket that is secured with screws to the seat base. The driver side seat base also has a snap-fit fuse access panel that can be removed for service of the fuses and the relays. A finger recess is molded into one end for easy removal. A fuse layout map is molded onto the back side of the panel to ensure proper fuse identification.

The fuse block is integral to the body wire harness. If any internal circuit or the fuse block housing is

faulty or damaged, the entire fuse block and body wire harness unit must be replaced.

OPERATION

All of the circuits entering and leaving the fuse block do so through the body wire harness. Internal connection of all of the fuse block circuits is accomplished by an intricate combination of hard wiring and bus bars.

POWER DISTRIBUTION CENTER

DESCRIPTION

All of the electrical current distributed throughout this vehicle is directed through the Power Distribution Center (PDC). The molded plastic PDC housing is located in the left front corner of the engine compartment, on the battery positive cable. The PDC housing has a molded plastic cover that slides over the PDC housing. The PDC cover is easily opened or removed for service access.

The PDC unit cannot be repaired and is only serviced as a unit with the headlamp and dash wire harness. If the internal circuits or the PDC housing are faulty or damaged, the headlamp and dash wire harness unit must be replaced.

OPERATION

All of the current from the battery and the generator output enters the PDC through the positive battery cable. The PDC cover is removed to access the battery and generator output connection B(+) terminal studs. Internal connection of all of the PDC circuits is accomplished by an intricate combination of hard wiring and bus bars. Refer to Wiring Diagrams for the location of complete PDC circuit diagrams.

POWER OUTLET

DESCRIPTION

The power outlet is installed in the instrument panel accessory switch plate, which is located near the center of the instrument panel. The power outlet base is secured by a snap fit within the instrument panel. A plastic protective cap snaps over the power outlet base when the power outlet is not being used.

While the power outlet is very similar to a cigar lighter base unit, it does not include the two small spring-clip retainers inside the bottom of the receptacle shell that are used to secure the cigar lighter heating element to the insulated contact.

The power outlet receptacle unit are available for service. The power outlet receptacle cannot be

repaired and, if faulty or damaged, it must be replaced.

OPERATION

The power outlet base or receptacle shell is connected to ground, and an insulated contact in the bottom of the shell is connected to battery current. The power outlet receives battery voltage from a fuse in the fuse block at all times.

DIAGNOSIS AND TESTING - POWER OUTLET

(1) Check for battery voltage at the fused B(+) fuse in the fuse block. If OK, go to Step 2. If not OK, repair the open fused B(+) circuit to the battery as required.

(2) Check for continuity between the inside circumference of the power outlet receptacle and a good ground. There should be continuity. If OK, go to Step 3. If not OK, go to Step 4.

(3) Check for battery voltage at the insulated contact located at the back of the power outlet receptacle. If not OK, go to Step 4.

(4) Disconnect and isolate the battery negative cable. Check for continuity between the ground circuit cavity of the power outlet wire harness connector and a good ground. There should be continuity. If OK, go to Step 5. If not OK, repair the open ground circuit to ground as required.

(5) Connect the battery negative cable. Check for battery voltage at the fused B(+) circuit cavity of the power outlet wire harness connector. If OK, replace the faulty power outlet receptacle. If not OK, repair the open fused B(+) circuit to the fuse in the fuse block as required.

REMOVAL

(1) Disconnect and isolate the battery negative cable.

(2) Pull the cigar lighter knob and element out of the cigar lighter receptacle base, or unsnap the protective cap from the power outlet receptacle base.

(3) Look inside the cigar lighter or power outlet receptacle base and note the position of the rectangular retaining bosses of the mount that secures the receptacle base to the instrument panel.

(4) Insert a pair of external snap ring pliers into the cigar lighter or power outlet receptacle base and engage the tips of the pliers with the retaining bosses of the mount.

(5) Squeeze the pliers to disengage the mount retaining bosses from the receptacle base and, using a gentle rocking motion, pull the pliers and the receptacle base out of the mount.

(6) Disconnect the instrument panel wire harness connector from the connector receptacle of the cigar lighter or the power outlet receptacle base.

(7) Remove the cigar lighter or power outlet mount from the instrument panel.

INSTALLATION

(1) Install the cigar lighter or power outlet mount into the instrument panel.

(2) Reconnect the instrument panel wire harness connector to the connector receptacle of the cigar lighter or the power outlet receptacle base.

(3) Align the splines on the outside of the cigar lighter or power outlet receptacle base connector receptacle with the grooves on the inside of the mount.

(4) Press firmly on the cigar lighter or power outlet receptacle base until the retaining bosses of the mount are fully engaged in their receptacles.

(5) Install the cigar lighter knob and element into the cigar lighter receptacle base.

(6) Reconnect the battery negative cable.

RELAY

DESCRIPTION

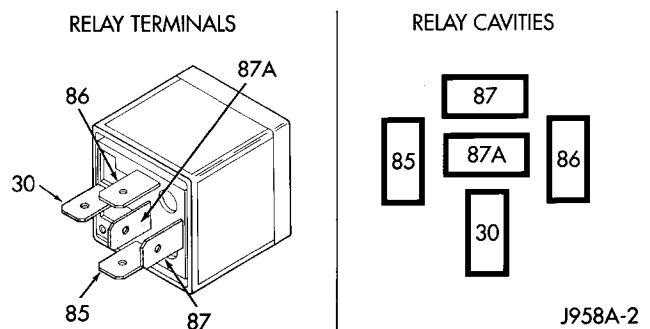


Fig. 1 ISO RELAY

30	COMMON FEED
85	COIL GROUND
86	COIL BATTERY
87	NORMALLY OPEN
87A	NORMALLY CLOSED

A relay (Fig. 1) is an electromechanical device that switches fused battery current to a electrical component when the ignition switch is turned to the Accessory or Run positions, or when controlled by a electronic module. The relays are located in the fuse block.

The relay is a International Standards Organization (ISO) relay. Relays conforming to the ISO specifications have common physical dimensions, current capacities, terminal patterns, and terminal functions.

A relay cannot be repaired or adjusted and, if faulty or damaged, it must be replaced.

OPERATION

The ISO relay consists of an electromagnetic coil, a resistor and three (two fixed and one movable) electrical contacts. The movable (common feed) relay contact is held against one of the fixed contacts (normally closed) by spring pressure. When the electromagnetic coil is energized, it draws the movable contact away from the normally closed fixed contact, and holds it against the other (normally open) fixed contact.

When the electromagnetic coil is de-energized, spring pressure returns the movable contact to the normally closed position. The resistor is connected in parallel with the electromagnetic coil in the relay, and helps to dissipate voltage spikes that are produced when the coil is de-energized.

DIAGNOSIS AND TESTING - RELAY

- (1) Remove the relay from its mounting location.
- (2) A relay in the de-energized position should have continuity between terminals 87A and 30, and no continuity between terminals 87 and 30. If OK, go to Step 3. If not OK, replace the faulty relay.
- (3) Resistance between terminals 85 and 86 (electromagnet) should be 60.7 - 80.3 ohms. If OK, go to Step 4. If not OK, replace the faulty relay.
- (4) Connect a battery to terminals 85 and 86. There should now be continuity between terminals 30 and 87, and no continuity between terminals 87A and 30. If OK, perform the Relay Circuit Test that follows. If not OK, replace the faulty relay.

DIAGNOSIS AND TESTING - RELAY CIRCUIT TEST

- (1) The relay common feed terminal cavity (30) of the fuse block is connected to battery voltage and should be hot at all times. Check for battery voltage at the fused B(+) circuit cavity in the fuse block receptacle for the relay. If OK, go to Step 2. If not OK, repair the fused B(+) circuit to the fuse block fuse as required.
- (2) The relay normally closed terminal (87A) is connected to terminal 30 in the de-energized position, but is not used for this application. Go to Step 3.
- (3) The relay normally open terminal (87) is connected to the common feed terminal (30) in the energized position. This terminal supplies battery voltage to the fused B(+) fuse in the fuse block that feeds the accessory when the relay is energized by the ignition switch. There should be continuity between the fuse block cavity for relay terminal 87 and the fused B(+) fuse in the fuse block at all times. If OK, go to Step 4. If not OK, repair the open fused B(+) circuit to the fuse block fuse as required.

(4) The coil ground terminal (85) is connected to the electromagnet in the relay. It receives battery feed to energize the relay when the ignition switch is in the Accessory or Run positions. Turn the ignition switch to the On position. Check for battery voltage at the fused ignition switch output (acc/run) circuit cavity for relay terminal 85 in the fuse block receptacle for the relay. If OK, go to Step 5. If not OK, repair the open fused ignition switch output (acc/run) circuit to the ignition switch as required.

(5) The coil battery terminal (86) is connected to the electromagnet in the relay. The fuse block cavity for this terminal should have continuity to ground at all times. If not OK, repair the open ground circuit to ground as required.

REMOVAL

- (1) Disconnect and isolate the negative battery cable.
- (2) Remove the relay by grasping it firmly and pulling it straight out from its receptacle. A slight back and fourth rocking motion may help the removal process.

INSTALLATION

- (1) Position the relay to the proper receptacle.
- (2) Align the relay terminals with the terminal cavities in the receptacle.
- (3) Push firmly and evenly on the top of the relay until the terminals are fully seated in the terminal cavities in the receptacle.
- (4) Connect the negative battery cable.

ENGINE

TABLE OF CONTENTS

	page		page
ENGINE		CYLINDER HEAD COVER(S)	
DESCRIPTION	2	REMOVAL	33
STANDARD PROCEDURE		INSTALLATION	34
STANDARD PROCEDURE - COMPRESSION		VALVE STEM SEALS	
TESTING ENGINE	3	DESCRIPTION	34
STANDARD PROCEDURE - CYLINDER		VALVE SPRINGS	
LEAK DOWN TEST	3	REMOVAL	
STANDARD PROCEDURE - DETERMINING		REMOVAL - VALVE SPRINGS	35
CYLINDER PRESSURE LOSS	4	REMOVAL - VALVES	36
REMOVAL		INSTALLATION	
REMOVAL - ENGINE COVER	4	INSTALLATION - VALVE SPRINGS	36
REMOVAL	5	INSTALLATION - VALVES	37
INSTALLATION		ENGINE BLOCK	
INSTALLATION - ENGINE COVER	9	STANDARD PROCEDURE	
INSTALLATION	9	STANDARD PROCEDURE - REPLACING	
SPECIFICATIONS - TORQUE		ENGINE CORE AND OIL GALLERY PLUGS ..	37
SPECIFICATIONS	11	STANDARD PROCEDURE - MEASURING	
SPECIAL TOOLS	17	CYLINDER BORES	38
AIR CLEANER ELEMENT		CRANKSHAFT	
REMOVAL	21	DESCRIPTION	39
INSTALLATION	21	STANDARD PROCEDURE - MEASURE	
AIR CLEANER HOUSING		CRANKSHAFT AND BLOCK JOURNALS	39
REMOVAL	21	REMOVAL	40
INSTALLATION	22	INSTALLATION	40
CYLINDER HEAD		CRANKSHAFT OIL SEAL - REAR	
DESCRIPTION	22	REMOVAL	41
STANDARD PROCEDURE		INSTALLATION	42
STANDARD PROCEDURE - CYLINDER		CRANKSHAFT OIL SEAL - FRONT	
HEAD BOLT INSPECTION	22	REMOVAL	42
STANDARD PROCEDURE - MEASURE		INSTALLATION	43
CYLINDER HEAD SURFACE	22	FLYWHEEL	
REMOVAL		REMOVAL	43
REMOVAL - CYLINDER HEAD	23	INSTALLATION	
REMOVAL - CYLINDER HEAD FRONT		INSTALLATION	44
COVER	25	INSTALLATION - CRANKSHAFT LOCK	44
REMOVAL - CYLINDER HEAD GUIDE RAIL ..	26	PISTON & CONNECTING ROD	
INSTALLATION		DESCRIPTION	45
INSTALLATION - CYLINDER HEAD	26	STANDARD PROCEDURE	
INSTALLATION - CYLINDER HEAD FRONT		STANDARD PROCEDURE - CHECKING AND	
COVER	28	REPAIRING CONNECTING RODS	46
INSTALLATION - CYLINDER HEAD GUIDE		STANDARD PROCEDURE - MEASURING	
RAIL	28	PISTON PROTRUSION	47
CAMSHAFT(S)		REMOVAL	47
STANDARD PROCEDURE		INSTALLATION	49
STANDARD PROCEDURE - CHECKING		PISTON RINGS	
CAMSHAFT POSITION	28	STANDARD PROCEDURE - PISTON RING	
STANDARD PROCEDURE - INSPECTING		FITTING	52
TAPPET CLEARANCE	30	VIBRATION DAMPER	
REMOVAL	30	REMOVAL	53
INSTALLATION	32	INSTALLATION	54

VACUUM PUMP
 DESCRIPTION 54
 OPERATION 54
 REMOVAL 55
 INSTALLATION 55

LEFT MOUNT
 REMOVAL 55
 INSTALLATION 55

RIGHT MOUNT
 REMOVAL 56
 INSTALLATION 56

OIL
 REMOVAL - OIL SEPARATOR 56
 INSTALLATION - OIL SEPARATOR 56

OIL COOLER & LINES
 REMOVAL 56
 INSTALLATION 57

OIL FILTER
 REMOVAL 57
 INSTALLATION 57

OIL JET
 DESCRIPTION 57
 REMOVAL 58
 INSTALLATION 58

OIL PAN
 REMOVAL 58
 INSTALLATION 60

OIL PUMP
 REMOVAL
 REMOVAL 61
 REMOVAL- OIL PUMP CHAIN 61
 INSTALLATION
 INSTALLATION 62

INSTALLATION - OIL PUMP CHAIN 62

OIL SENSOR
 DESCRIPTION 64
 OPERATION 64
 REMOVAL 65
 INSTALLATION 65

INTAKE MANIFOLD
 REMOVAL 65
 INSTALLATION 68

EXHAUST MANIFOLD
 REMOVAL 68
 INSTALLATION 69

TIMING CHAIN COVER
 REMOVAL 70
 INSTALLATION 71

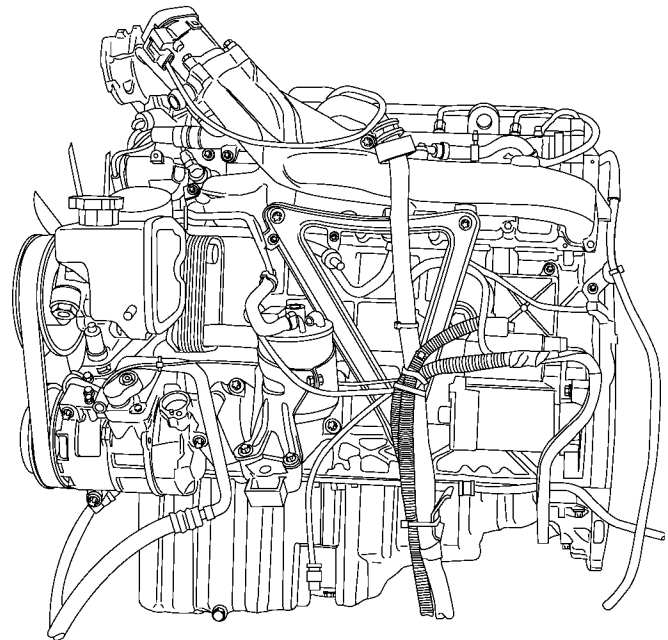
TIMING CHAIN AND SPROCKETS
 REMOVAL
 REMOVAL - TENSIONING AND SLIDE RAILS . 72
 REMOVAL - INTERMEDIATE GEAR 73
 REMOVAL - TIMING CHAIN TENSIONING
 RAIL 74
 REMOVAL - TIMING CHAIN 74
 INSTALLATION
 INSTALLATION - TENSIONING AND SLIDE
 RAIL 76
 INSTALLATION - INTERMEDIATE GEAR 77
 INSTALLATION - TIMING CHAIN
 TENSIONING RAIL 77
 ADJUSTMENTS
 INSTALLATION - TIMING CHAIN 77

TIMING CHAIN TENSIONER
 REMOVAL 81
 INSTALLATION 81

ENGINE

DESCRIPTION

This 2.7 Liter five-cylinder Common Rail Diesel Injection (CDI) engine is an in-line overhead valve diesel engine. This engine utilizes a cast iron cylinder block and an aluminum cylinder head. The engine is turbocharged and intercooled. This engine also has for valve per cylinder and dual overhead camshafts (Fig. 1).



812caf47

Fig. 1 2.7L CDI ENGINE

DESCRIPTION	SPECIFICATION
Engine	2.7L CDI
Engine Description	5 Cylinder In-Line Engine With 4-Valve Technology
Air Intake	Turbo-Charged Engine with Charge Air Cooling
Fuel Injection System	2 nd. Generation Common Rail Direct Injection (CDI)
Fuel	Diesel
Firing Order	1-2-4-5-3
Rated Output	154 HP at 3800 RPM
Torque	243 ft. lbs. at 1600-2400 RPM
Maximum Speed	4800 RPM
Compression Ratio	18:1
Bore/Stroke	3.46/3.48
Eff. Displacement	2688 cm3

STANDARD PROCEDURE

STANDARD PROCEDURE - COMPRESSION TESTING ENGINE

- (1) Warm up engine to operating temperature (approx. 80 °C, 176°F).
- (2) Shut off engine.
- (3) Remove engine cover (Refer to 9 - ENGINE - REMOVAL).
- (4) Remove glow plugs (Refer to 8 - ELECTRICAL/IGNITION CONTROL/GLOW PLUG - REMOVAL).
- (5) Crank engine several times with the starter to eliminate combustion residues in the cylinders.
- (6) Insert compression tester adapter #8927 (Refer to 9 - ENGINE - SPECIAL TOOLS) with check valve installed into glow plug hole of cylinder to be tested.
- (7) Connect compression tester hose adapter #9295 to compression gauge and test compression pressure by cranking engine with starter for at least 8 revolutions.
- (8) Carry out test procedure at the remaining cylinders in the same way.
- (9) Compare pressure readings obtained with the specified pressures. If the pressure reading is below the minimum compression pressure or if the permissible difference between the individual cylinders is exceeded. Refer to cylinder leak down test.
- (10) Remove compression tester and adapter from cylinder head.
- (11) Install glow plugs (Refer to 8 - ELECTRICAL/IGNITION CONTROL/GLOW PLUG - INSTALLATION).

(12) Install engine cover (Refer to 9 - ENGINE - INSTALLATION).

COMPRESSION SPECIFICATIONS

Maximum Compression	29-35 bar (420-507 psi)
Minimum Compression	18bar (261 psi)
Permissible Difference Between Cylinders	± 3bar (± 44 psi)

STANDARD PROCEDURE - CYLINDER LEAK DOWN TEST

- (1) Warm engine to operating temperature.

WARNING: DO NOT OPEN COOLING SYSTEM UNLESS COOLANT TEMPERATURE IS BELOW 90C (194°F). RISK OF INJURY TO SKIN AND EYES AS A RESULT OF SCALDING WITH HOT COOLANT WHICH SPLASHES OUT. RISK OF POISONING FROM SWALLOWING COOLANT. OPEN CAP SLOWLY AND RELEASE PRESSURE. STORE COOLANT IN PROPER CONTAINERS ONLY. WEAR PROTECTIVE GLOVES, CLOTHING AND EYE PROTECTION.

NOTE: Turn cap carefully as far as first detent, release pressure, then unscrew cap.

- (2) Open cooling system cap at coolant recover pressure container.
- (3) Remove engine cover (Refer to 9 - ENGINE - REMOVAL).
- (4) Unscrew oil filler cap.
- (5) Remove glow plugs (Refer to 8 - ELECTRICAL/IGNITION CONTROL/GLOW PLUG - REMOVAL).

NOTE: Crank engine at crankshaft in direction of rotation of the engine (clockwise).

- (6) Position cylinder to be tested to ignition Top Dead Center (DTC).

NOTE: Calibrate cylinder leak down tester and remove check valve in screw-in fitting.

- (7) Connect cylinder leak down tester and follow INSPECTING Instruction.

INSPECTING

NOTE: If crankshaft rotates, install retaining lock for crankshaft/ring gear.

- (1) Pressurize cylinder with compressed air and read off pressure loss at cylinder leak tester. If excessive pressure loss exists, determine possible cause (Refer to 9 - ENGINE - STANDARD PROCEDURE).

NOTE: If the retaining lock is installed, remove it, rotate engine and install lock once again.

(2) Carry out test of other cylinders in the firing order of engine.

CYLINDER LEAK DOWN VALUES

CYLINDER LEAK DOWN PERMISSIBLE TOTAL LOSS	± 25%
CYLINDER LEAK DOWN PERMISSIBLE LOSS AT VALVES AND CYLINDER HEAD	± 10%
CYLINDER LEAK DOWN PERMISSIBLE LOSS AT PISTON AND RINGS	± 20%

STANDARD PROCEDURE - DETERMINING CYLINDER PRESSURE LOSS

If an increased pressure loss was found with the cylinder leak test, inspect the engine by listening at the cylinder head gasket, air intake area, exhaust, oil fill opening and where injectors and glow plugs enter the cylinder head. Also check the engine coolant in the radiator or expansion reservoir for the formation of bubbles.

Possible causes for the pressure loss are:

POSSIBLE CAUSE FOR PRESSURE LOSS

CONDITION	POSSIBLE CAUSES	CORRECTION
AIR LOSS THROUGH GLOW PLUG, INJECTOR, ADJACENT CYLINDERS, OR AIR BUBBLES IN COOLANT	1. Sealing Surfaces 2. Gaskets 3. Cylinder Head Gasket	Repair Sealing Surfaces 2. Replace Component or Gasket 3. Replace Cylinder Head Gasket
AIR LOSS THROUGH AIR INTAKE AREA	1. Sealing Surfaces	1. Remove Cylinder Head for Further Inspection

CONDITION	POSSIBLE CAUSES	CORRECTION
	2. Intake Valves and Seats	2. Replace Valves, Guides or Seats
AIR LOSS THROUGH EXHAUST	Sealing Surfaces 2. Exhaust Valves and Seats	Remove Cylinder Head for Further Inspection 2. Replace Valves, Guides or Seats
AIR LOSS THROUGH OIL FILL OPENING	1. Sealing Surfaces 2. Pistons, Piston Rings	Remove Engine for Further Inspection 2. Replace Pistons or Piston Rings

It is possible to pin point the pressure loss of the relevant cylinder by spraying with clean engine oil. Engine oil seals off the gap between the piston and cylinder wall briefly. If a reduced pressure loss now occurs for a short time, the cause is very likely to be the pistons, piston rings or cylinder contact surfaces of the relevant cylinder.

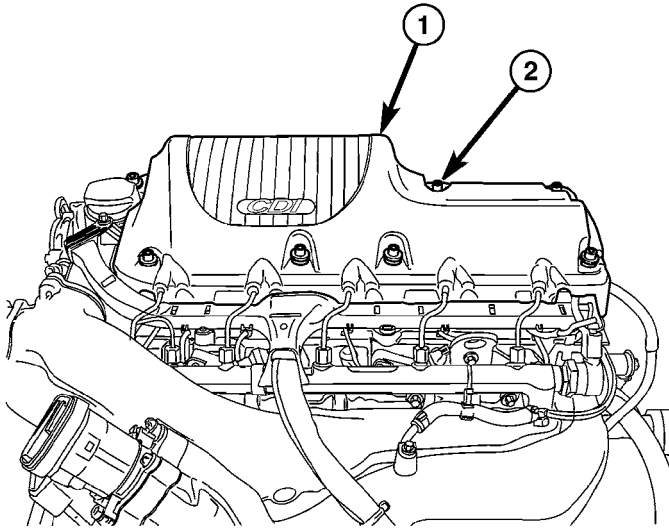
Determining the cause can be falsified by the position of the piston ring joints. If suspicion exists that the loss of pressure is caused by the piston ring joints being positioned directly one above the other, fit the parts to the engine and repeat this test after running the engine for a short time.

REMOVAL

REMOVAL - ENGINE COVER

(1) Remove the retaining screws and remove cover (Fig. 2).

(5) Disconnect the engine wiring harness at the cabin side and carefully guide through the cowl into the engine area.



81339f89

Fig. 2 ENGINE COVER

- 1 - ENGINE COVER
2 - FASTENERS

REMOVAL

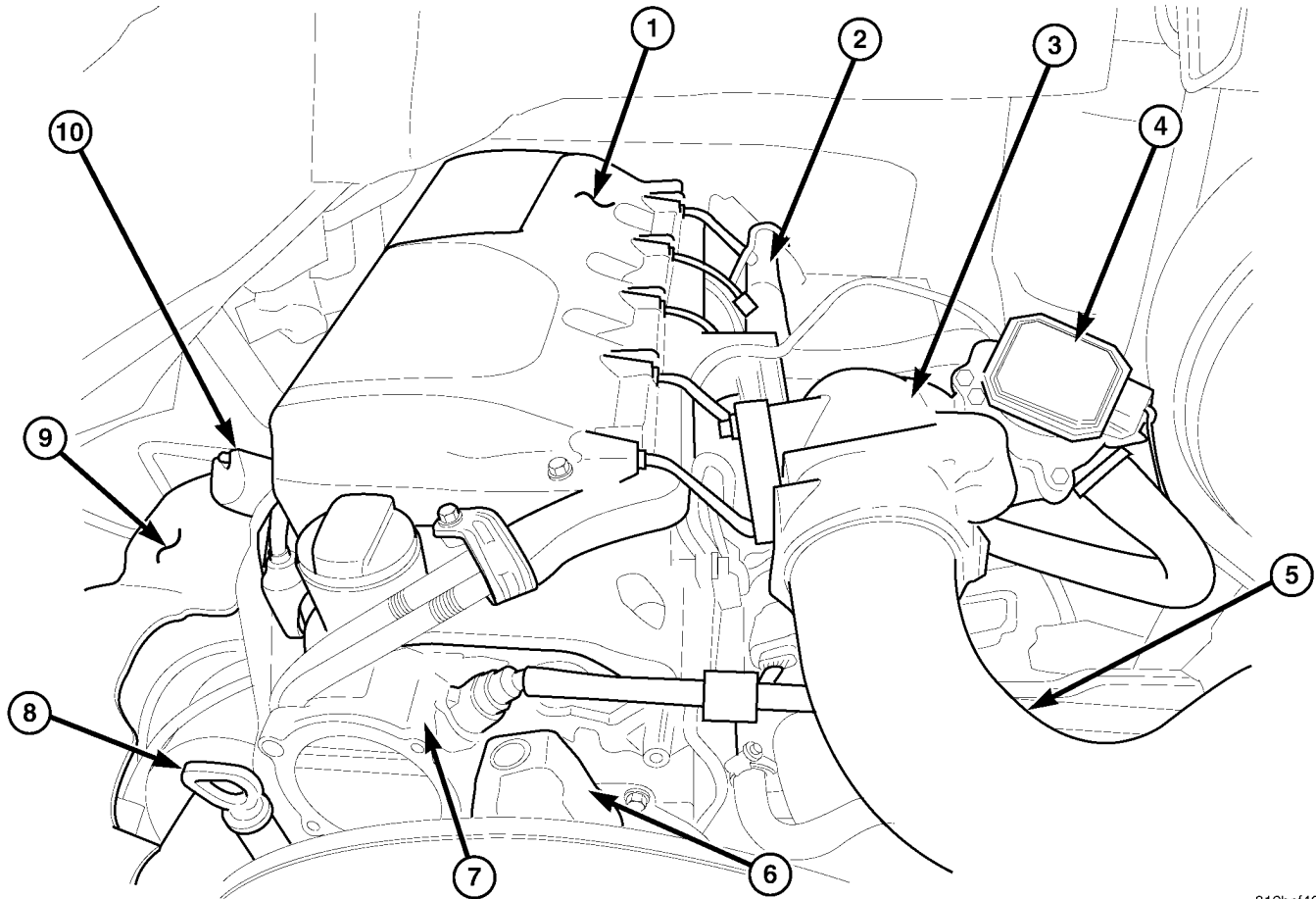
WARNING: NO SPARKS, OPEN FLAMES OR SMOKING. RISK OF POISONING FROM INHALING AND SWALLOWING FUEL. RISK OF INJURY TO EYES AND SKIN FROM CONTACT WITH FUEL. POUR FUELS ONLY INTO SUITABLE AND APPROPRIATELY MARKED CONTAINERS. WEAR PROTECTIVE CLOTHING.

WARNING: RISK OF INJURY TO SKIN AND EYES FROM SCALDING WITH HOT COOLANT. RISK OF POISONING FROM SWALLOWING COOLANT. DO NOT OPEN COOLING SYSTEM UNLESS COOLANT TEMPERATURE IS BELOW 90°C (194°F). OPEN CAP SLOWLY TO RELEASE PRESSURE. STORE COOLANT IN SUITABLE AND APPROPRIATELY MARKED CONTAINER. WEAR PROTECTIVE GLOVES, CLOTHES, AND EYE WEAR.

- (1) Disconnect the negative battery cable.

NOTE: REPLACE THE AIR CONDITIONING DRIER WHEN EVER THE AIR CONDITIONING SYSTEM IS OPENED.

- (2) Drain cooling system (Refer to 7 - COOLING/ENGINE/COOLANT - STANDARD PROCEDURE).
(3) Evacuate and recover air conditioning system (Refer to 24 - HEATING & AIR CONDITIONING/PLUMBING - STANDARD PROCEDURE).
(4) Remove the front grille and fascia assembly.

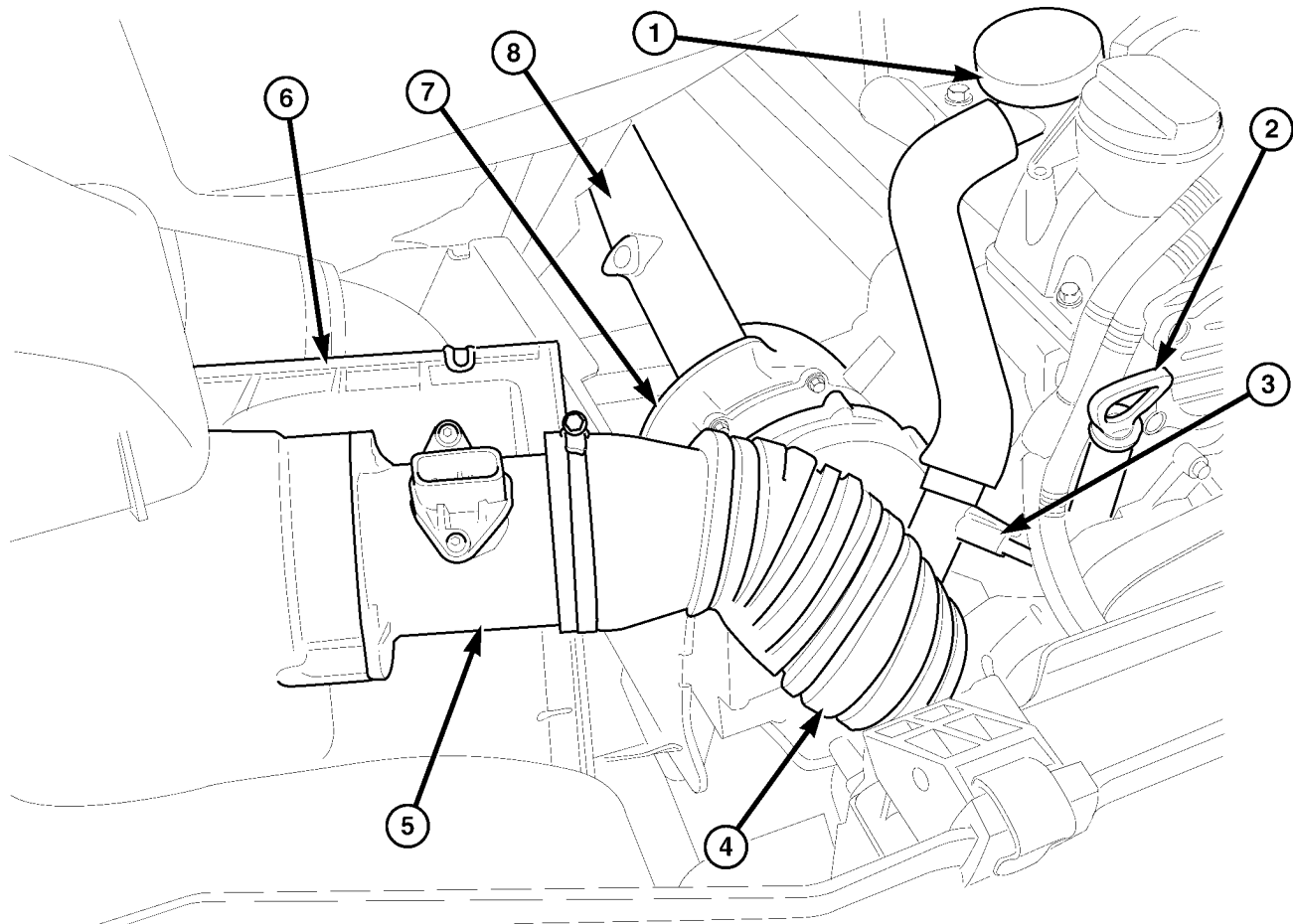


812bcf46

Fig. 3 ENGINE COVER

- | | |
|---------------------|---------------------------------------|
| 1 - ENGINE COVER | 6 - HIGH PRESSURE FUEL PUMP |
| 2 - FUEL RAIL | 7 - VACUUM PUMP |
| 3 - INTAKE MANIFOLD | 8 - OIL LEVEL INDICATOR |
| 4 - EGR VALVE | 9 - HEAT SHIELD |
| 5 - AIR INLET TUBE | 10 - TRANSMISSION OIL LEVEL INDICATOR |

- (6) Remove the turbocharger heat shield (Fig. 3).
- (7) Remove the engine cover (Fig. 3).
- (8) Remove the air cleaner and hose at the turbocharger and air cleaner assembly.
- (9) Disconnect the transmission lines at the radiator.
- (10) Disconnect the upper and lower radiator hoses.
- (11) Disconnect the A/C lines at the condenser.
- (12) Disconnect the condenser fan harness connector.
- (13) Disconnect the power steering cooler lines at the cooler.
- (14) Disconnect the charge air cooler hose at the intake manifold (Fig. 3).
- (15) Remove charge air hose fasteners at the radiator closure panel.
- (16) Remove the fasteners retaining the radiator to the front crossmember.
- (17) Remove the charge air cooler, A/C condenser and fan as an assembly.
- (18) Disconnect the charge air hose at the intake manifold (Fig. 3).
- (19) Remove the radiator assembly.
- (20) Disconnect the high pressure and return hoses at the power steering pump.
- (21) Disconnect the fuel lines at the fuel filter.
- (22) Disconnect the refrigerant line at the A/C compressor.
- (23) Disconnect the vacuum line for the brake booster at the vacuum pump (Fig. 3).
- (24) Disconnect the coolant hose of heating return flow at the water pump.
- (25) Disconnect the coolant hose of the heater supply at the coolant pipe at the side of the cylinder head.



812c13ca

Fig. 4 TURBOCHARGER INLET

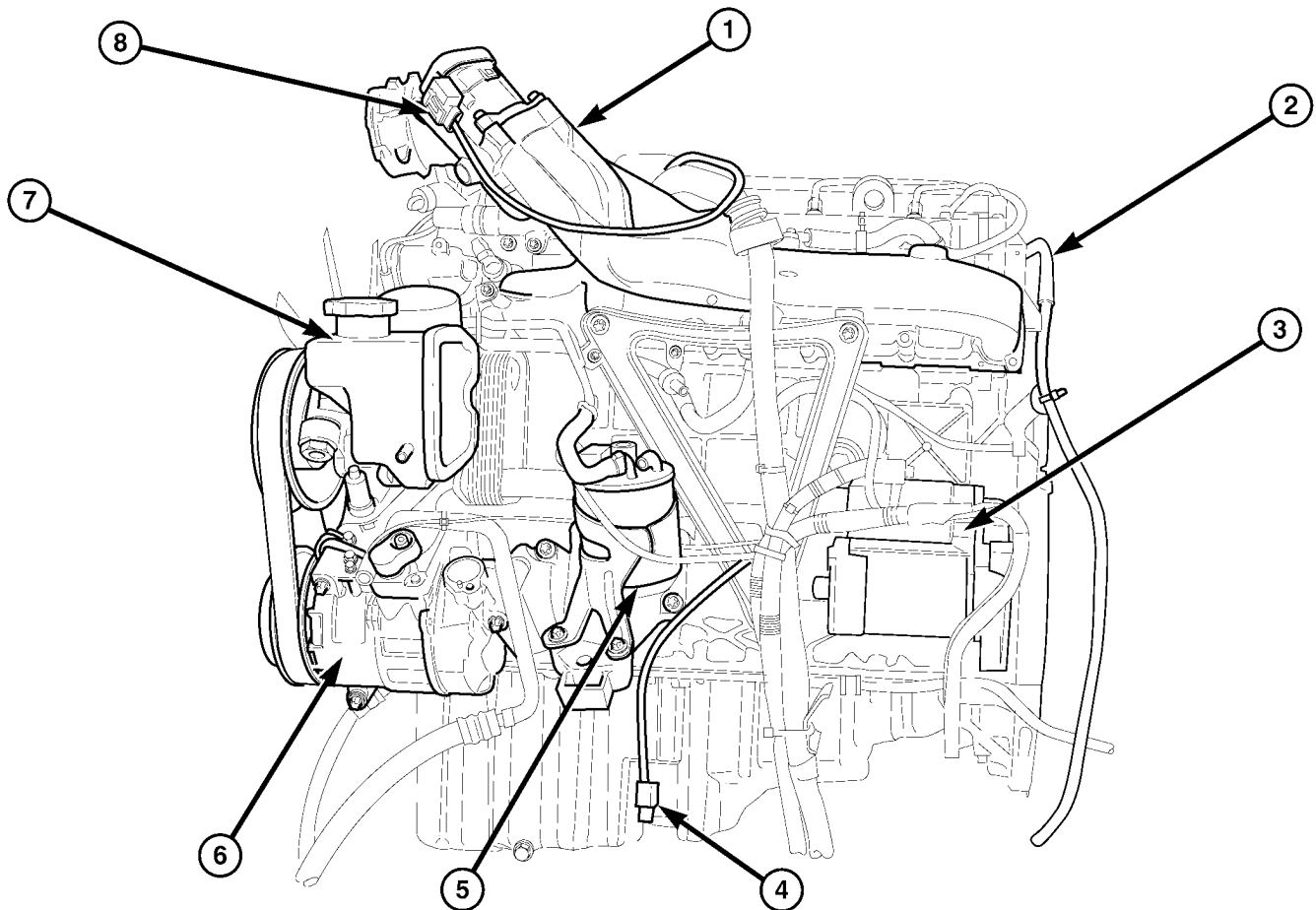
- | | |
|-----------------------------|-----------------------|
| 1 - CCV BREATHER | 5 - MAF SENSOR |
| 2 - OIL LEVEL INDICATOR | 6 - AIR CLEANER COVER |
| 3 - CCV HEATER | 7 - TURBOCHARGER |
| 4 - TURBOCHARGER INLET HOSE | 8 - EXHAUST PIPE |

(26) Disconnect the air inlet, CCV breather hoses and CCV heater at the turbocharger (Fig. 4).

(27) Raise and support the vehicle.

(28) Disconnect the front exhaust at the turbocharger (Fig. 4).

(29) Disconnect the electrical connector at the transmission.



812c0a4a

Fig. 5 2.7L CDI ENGINE

1 - INTAKE MANIFOLD
 2 - ENGINE VALLEY DRAIN HOSE
 3 - STARTER
 4 - ENGINE OIL LEVEL SENSOR

5 - FUEL FILTER
 6 - AIR CONDITIONING COMPRESSOR
 7 - POWER STEERING PUMP
 8 - EGR VALVE

(30) Disconnect the engine valley drain hose fastener from the transmission (Fig. 5).

(31) Remove the steering gear mounting bolts.

(32) Disconnect the transmission cooler lines at transmission and oil pan.

(33) Remove the torque converter access plate.

(34) Remove the torque converter bolts.

(35) Remove the crank position sensor.

(36) Remove the transmission housing to engine mounting bolts.

(37) Remove the starter mounting bolts (Fig. 5).

(38) Support the transmission with a transmission jack.

(39) Place a wood block between the transmission housing and the front frame cross over.

(40) Remove the transmission jack.

(41) Remove the exhaust bracket (right side).

(42) Remove the engine ground strap (left side).

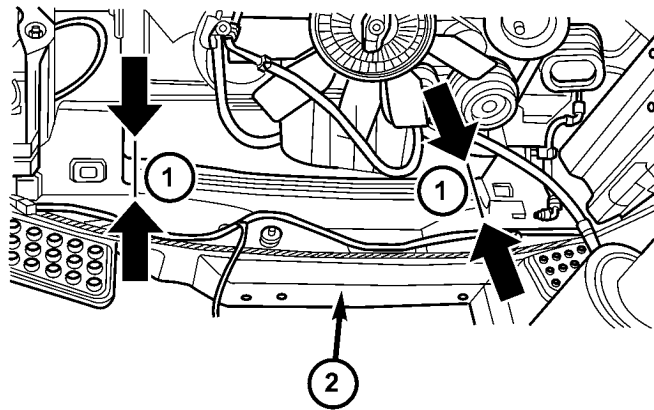
(43) Lower the vehicle.

(44) Remove the heater housing filter and lower housing.

(45) Connect the engine lifting fixture #9308 to the engine lifting eyes.

(46) Remove the engine mount bolts.

(47) Remove the transmission oil level indicator tube mounting bolt.



81135f5d

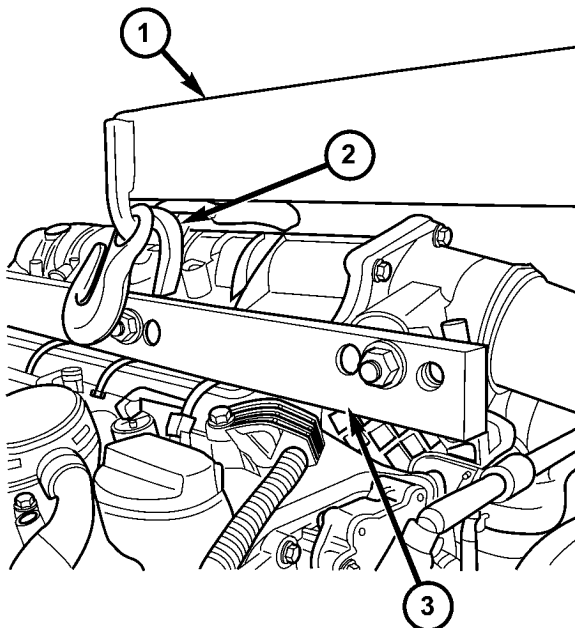
Fig. 6 FRONT CROSS PLATE

- 1 - CUTTING POINT
2 - CORE SUPPORT

NOTE: After removing the front cross plate, seal metal with anti corrosion protection.

(48) Using tin snips, remove the front cross plate at the cutting edges and deburr (Fig. 6).

(49) Connect and engine hoist and carefully lift engine assembly from engine bay area (Fig. 7).



811994f9

Fig. 7 ENGINE HOIST CONNECTION

- 1 - ENGINE HOIST
2 - CENTER EYELET OF ENGINE LIFTING FIXTURE
3 - ENGINE LIFTING FIXTURE #9308

INSTALLATION

INSTALLATION - ENGINE COVER

CAUTION: Care must be taken when installing the engine cover. Assure the proper routing of the fuel injector return fuel hose to the banjo bolt fitting in the left rear corner of the cover. Failure to do so may pinch or damage the hose causing fuel leakage or a driveability concern.

(1) Align cover and install screws. tighten screws to 11N·m (97 lbs. in.) (Fig. 2).

INSTALLATION

NOTE: Deburr and seal metal from cross plate removal with anti corrosion material.

NOTE: Replace the air conditioning drier any time the air conditioning system is opened to the atmosphere.

(1) Install the engine lifting fixture, special tool # 9308 to the engine lifting eyelets.

(2) Attach the engine hoist.

(3) Install the engine assembly into the vehicle engine compartment, mating the transmission and the engine.

(4) Lower the engine assembly until the engine brackets align with the mounts.

(5) Hand start the engine mount bolts and remove the engine lifting devise.

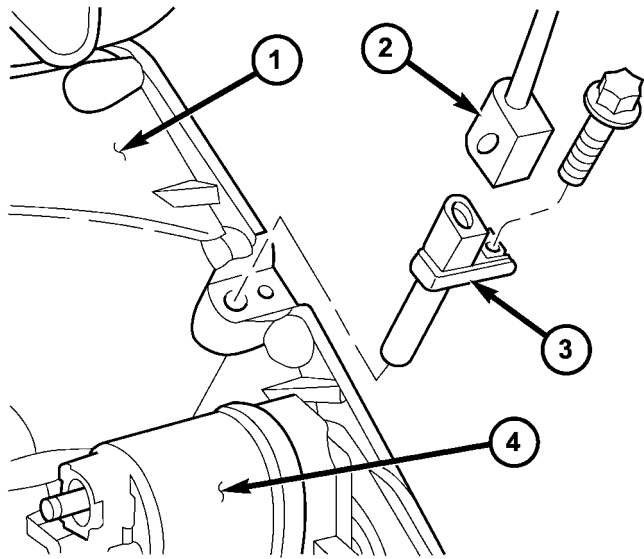
(6) Tighten the engine mount bolts to 83 N·m (62 lbs.ft.).

(7) Raise and support the vehicle.

(8) Install the transmission housing to engine bolts. Refer to (Refer to 21 - TRANSMISSION/TRANSAXLE/AUTOMATIC - NAG1 - INSTALLATION) for correct sequence and torque specification.

(9) Install the torque converter bolts. Refer to (Refer to 21 - TRANSMISSION/TRANSAXLE/AUTOMATIC - NAG1 - INSTALLATION) for correct sequence and torque specification.

(10) Install the crank sensor (Fig. 8).



8108be07

Fig. 8 CRANKSHAFT POSITION SENSOR

- 1 - ENGINE BLOCK
- 2 - WIRING HARNESS CONNECTOR
- 3 - CRANKSHAFT POSITION SENSOR
- 4 - STARTER SOLENOID

(11) Install the torque converter access plate. Refer to (Refer to 21 - TRANSMISSION/TRANSAXLE/AUTOMATIC - NAG1 - INSTALLATION) for correct sequence and torque specification.

(12) Install the transmission cooler lines to transmission. (Refer to 21 - TRANSMISSION/TRANSAXLE/AUTOMATIC - NAG1 - INSTALLATION) for correct sequence and torque specification.

(13) Connect the engine valley drain hose to the transmission (Fig. 5).

(14) Install transmission electrical connector and shifter hardware. Refer to (Refer to 21 - TRANSMISSION/TRANSAXLE/AUTOMATIC - NAG1 - INSTALLATION) for correct sequence and torque specification.

(15) Install the steering gear and tighten in two stages. 25 N·m (18.5 lbs. ft.), then 45 N·m (33 lbs. ft.) plus 90°.

(16) Install the starter.

(17) Connect the ground strap (left side).

(18) Align and install the exhaust and bracket (Refer to 11 - EXHAUST SYSTEM/EXHAUST PIPE - INSTALLATION).

(19) Lower the vehicle.

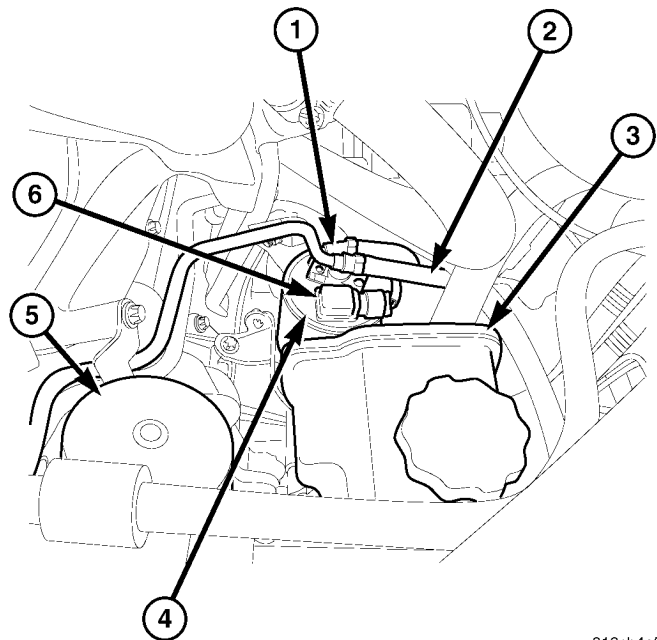
(20) Install the lower heater housing and filter.

(21) Install the air inlet hose, CCV breather and CCV heater at the turbocharger (Fig. 4).

(22) Connect the coolant supply and return hoses.

(23) Connect the brake booster vacuum hose at the vacuum pump.

(24) Connect the fuel lines at the filter assembly (Fig. 9).



812cb4e5

Fig. 9 FUEL FILTER

- 1 - FUEL SUPPLY FROM TANK
- 2 - FUEL SUPPLY TO HIGH PRESSURE PUMP
- 3 - POWER STEERING RESERVOIR
- 4 - FUEL FILTER
- 5 - OIL FILTER
- 6 - WATER IN FUEL SENSOR

(25) Connect the power steering hoses.

(26) Install the radiator/charge air cooler and hose(s) assemblies (Refer to 7 - COOLING/ENGINE/RADIATOR - INSTALLATION).

(27) Install A/C condenser and fan assemblies. Connect the fan harness connector.

(28) Connect the refrigerant lines.

(29) Install a air conditioning receiver/drier (Refer to 24 - HEATING & AIR CONDITIONING/PLUMBING/RECEIVER / DRIER - INSTALLATION).

(30) Connect the upper and lower radiator hoses.

(31) Connect the transmission lines at the radiator.

(32) Install air cleaner housing and connect the air inlet duct and air flow sensor.

(33) Connect the charge air cooler hose at intake manifold. (Refer to 9 - ENGINE/AIR INTAKE SYSTEM/AIR CLEANER HOUSING - INSTALLATION).

(34) Route the engine wiring harness inside the vehicle and connect.

(35) Install the turbocharger heat shield.

(36) Install the front grille and fascia assembly.

(37) Connect the negative battery cable.

(38) Check and fill engine oil (Refer to LUBRICATION & MAINTENANCE/FLUID TYPES - SPECIFICATIONS).

- (39) Fill cooling system to proper level with the appropriate coolant.
- (40) Evacuate and recharge air conditioning.
- (41) Check and refill all ancillary system fluid levels.

- (42) Start engine and inspect for leaks (Refer to 14 - FUEL SYSTEM - WARNING).

SPECIFICATIONS - TORQUE SPECIFICATIONS

2.7L DIESEL

DESCRIPTION	N-m	Ft. Lbs.	In. Lbs.
Crankcase Ventilation			
Screw-Air Charge Distribution Pipe to Air Charge Distribution Panel	11	-	97
Cylinder Head			
8m-Bolt- Cylinder Head to Timing Case Cover	20	15	-
Bolt-Front Cover to Cylinder Head	14	-	124
12m-Bolt-Cylinder Head to Crankcase (3 stages, torque, torque angle, torque angle)	60, 90°, 90°	44, 90°,90°	-
Crankcase, Timing Case Cover, End Cover			
Bolt-Crankshaft Bearing Cap to Crankcase (2 stages, torque, torque angle)	55, 90°	40, 90°	-
Bolt-End Cover to Crankcase	9	-	80
Bolt-Timing Case Cover to Crankcase	20	15	-
Plug-Coolant Drain to Crankcase	30	22	-
Oil Pan			
6m-Bolt-Oil Pan to Crankcase	9	-	80
8m-Bolt-Oil Pan to Crankcase	20	15	-
Bolt-Oil Pan to End Cover	9	-	80
Bolt-Oil Pan to Timing Case Cover	9	-	80
Bolt-Oil Pan to Transmission Bell Housing	40	30	-
Plug-Oil Pan to Oil Drain	47	35	-
Connecting Rod			

DESCRIPTION	N-m	Ft. Lbs.	In. Lbs.
Bolt-Connecting Rod Cap to Connecting Rod (3 stage, 1&2 torque, 1 torque angle)	5,25,90°	-	44,221, 90°
Crankshaft			
Bolt-Crankshaft Bearing Cap (2 stage, 1 torque, 1 torque angle)	55,90°	40.5, 90°	-
Flywheel, Driven Plate, Vibration Damper, Starter Ring Gear			
8.8m-Bolt-Central Bolt of Vibration Damper (2 stage, 1 torque, 1 torque angle)	200,90°	147.5, 90°	-
10.9m-Bolt-Central Bolt of Vibration Damper (2 stage, 1 torque, 1 torque angle)	325,90°	240, 90°	-
Bolt-Stretch Shank for Flywheel or 2 Mass Flywheel to Crankshaft (2 stage, 1 torque, 1 torque angle)	45,90°	33, 90°	
Turbo Charger			
Bolt-Oil Feed Line to Cylinder Head	9/22	-	80-194
Bolt-Oil Feed Line to Turbo Charger	30	22	-
Bolt-Turbo Charger Support	30	22	-
Bolt-Turbo Charger Support to Crankcase	20	-	177
Bolt-Oil Outlet Line to Turbo Charger	9	-	80
Connection-Flange of Exhaust Manifold to Turbo Charger	30	22	-
Connection-Turbo Charger to Front Catalytic Converter	30	22	-
Charge Air Pipe/Charge Air Cooling			
Bolt-Charge Air Distribution Pipe	16	-	141
Bolt-Inlet Port Shut Off Positioning Motor to Air Charge Distribution Pipe	9	-	80
Bolt-Support to Charge Air Distribution Pipe	20	-	177
Bolt-Support to Engine Bracket	40	30	-

DESCRIPTION	N-m	Ft. Lbs.	In. Lbs.
Clamp-Charge Air Pipes/ Hoses	3	-	27
Belt Tensioning Device			
Bolt-Guide Pulley to Cool- ant Pump	35	26	-
Bolt-Guide Pulley to Tim- ing Case Cover	35	26	-
Bolt-V-Belt Tensioning De- vice to Tensioning Pulley	36	26.5	-
Bolt-V-Belt Tensioning De- vice to Timing Case Cov- er	30	22	-
Exhaust Manifold			
Nut-Exhaust Manifold at Cylinder Head	30	22	-
Position Sensor			
Nut/Bolt-Camshaft Posi- tion Sensor to Cylinder Head Cover	11	-	97
Nut/Bolt-Crankshaft Posi- tion Sensor to Engine Block	8	-	70
Pre-Glow System			
Cylinder Head to Glow Plug	12	-	106
Starter			
Bolt-Starter to Crankcase	42	31	-
Nut-Connection of Circuit 30	14	-	124
Nut-Connection of Circuit 50	6	-	53
Alternator			
Bolt-Generator to Timing Case Cover	20	15	-
Bolt-Generator to Cooler Housing	6	-	53
Bolt-Cooler Housing of Generator to Crankcase	20	-	177
Nut-B+ Circuit to Genera- tor	13-18	-	115-159
Nut-D+ Circuit to Genera- tor	5	-	44
Nut-Collar to V-Belt Pulley	80	59	-
Oil Pump			
Bolt-Oil Pump to Crank- case	18	-	133
Bolt-Oil Pipe to Crank- shaft Bearing Cap	8	-	70

DESCRIPTION	N-m	Ft. Lbs.	In. Lbs.
Oil Filter			
Screw Cap to Oil Filter	25	18.5	-
Oil Cooling System			
Bolt-Oil-Water Heat Exchanger to Timing Cover Case	15	-	133
Oil Level Pressure			
Bolt-Dip Stick Guide Tube to Cylinder Head	14	-	123
Bolt-Oil Level Sensor to Oil Pan	14	-	123
Coolant Pre-Heater			
Coolant Pre-Heater in Engine Block	35	26	-
Engine Cooling General			
Bolt-Belt Pulley to Coolant Pump	8-35	6 - 26	-
Bolt-Coolant Pump to Timing Case Cover 6m/8m	14/20	10 - 15	-
Bolt-Thermostat Housing to Cylinder Head	9	-	80
Coolant Drain Plug to Crankcase	30	22	-
Engine Suspension, Engine Mount, Engine Bracket			
Bolt-Engine Bracket to Crankcase (2 stage, torque, torque angle)	20/90°	15, 90°	-
Bolt-Engine Mount to Engine Bracket	55	40.5	-
Bolt-Front Engine Mount to Front Axle Carrier	35	26	-
Bolt-Rear Engine Cross Member to Body	40	30	-
Bolt-Rear Engine Mount to Rear Engine Cross Member	35	26	-
Bolt/Nut- Rear Engine Mount to Transmission	40	26	-
Bolt-Shroud to Engine Bracket	10	-	88.5
Nut-Front Engine Mount to Engine Bracket	65	48	-
Nut-Engine Mount to Vehicle Frame	35	26	-
Fuel Filter			
Bolt-Clip to Fuel Filter	8	-	70

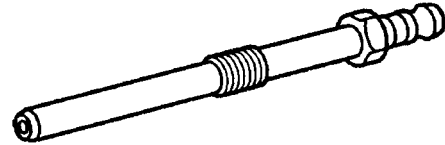
DESCRIPTION	N-m	Ft. Lbs.	In. Lbs.
Bolt- Fuel Filter to Charge Air Distribution Pipe	14	-	124
Exhaust System			
Bolt- Catalytic Converter Bracket to Crankcase	20	-	177
Bolt - Turbocharger Oil Supply Line at Turbo-charger	25	18	-
Bolt - Turbocharger Oil Return Line at Turbo-charger	10	-	89
Clamp-Connection Between Front Exhaust Pipe and Rear Exhaust System	55	41	-
Clip-Front Catalytic Converter to Engine Mount	20	-	177
Exhaust Manifold to Cylinder Head	29	21	-
Nut-EGR Valve	9	-	80
Nut-Bracket to Tail Pipe	55	40.5	-
Nut-Exhaust Bracket to Threaded Plate of Center Exhaust Pipe	20	-	177
Support-Exhaust Bracket on Transmission	20	-	177
Refrigerant Compressor			
Bolt-Refrigerant Compressor to Timing Case Cover	20	-	177
Bolt-Refrigerant Compressor to Bracket	20	-	177
Bolt-Refrigerant Lines to Refrigerant Compressor	20	-	177
Timing Chain, Chain Tensioner			
Bolt-Camshaft Sprocket to Exhaust Camshaft	18	-	159
Bolt-Intermediate Gear of High Pressure Pump to Cylinder Head	40	29.5	-
Timing Chain Tensioner to Timing Case Cover	80	59	-
Camshaft			
Bolt-Camshaft Bearing Cap to Cylinder Head	9	-	80
Bolt-Driver to Inlet Camshaft	50	37	-
Common Rail Diesel Injection			
Bolt-Banjo Bolt of Leak Oil Line to Rail	20	-	177

DESCRIPTION	N-m	Ft. Lbs.	In. Lbs.
Bolt-Bracket to High Pressure Pump	9	-	80
Bolt-High Pressure Pump to Cylinder Head	14	-	124
Bolt-Pre-delivery Pump to Top Cover of Cylinder Head	9	-	80
Bolt-Pressure Control Valve to Rail (2 stage, torque)	3/5	-	26/44
Bolt-Rail to Cylinder Head	14	-	124
Bolt-Shutoff Valve to Cylinder Head	8	-	70
Nut-Pressure Line to Rail/Injector (New, Reused)	22/25	16/18.5	-
Nut-Pressure Line to High Pressure Pump/Rail	22	16	-
Screw-Tensioning Claw to Injector (2 stage, 1 torque, 1 torque angle)	7/90°	-	62, 90°
Rail-Pressure Sensor to Rail	22	16	-
Pressure Pipe Connection to Injector	42	31	-
Threaded Rail to Rail	22	16	-
Fuel Cooling System			
Bolt-Fuel Cooler to Charge Air Distribution Pipe	14	-	124
Heater Booster, Heater Unit			
Bolt- Temperature Controlled Cut Out to Heater Booster Control Module	12	-	106
Nut-Threaded Stud to Electronic Heater Booster	18	-	159

SPECIAL TOOLS

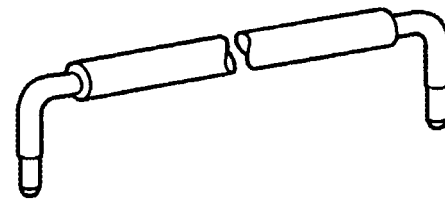
SPECIAL TOOL CROSS REFERENCE CHART

MB TOOL #	MILLER TOOL #	DESCRIPTION
N/A	5069-2	FUEL GAUGE
611 589 04 63 00	8927	COMPRESSION TESTER ADAPTER
611 589 03 15 00	8929	CAMSHAFT LOCKING PINS
611 589 00 40 00	8930	COUNTERHOLDER
N/A	9525	TIMING CHAIN RETAINER
601 589 02 40 00	8932	CRANKSHAFT LOCK
603 589 00 40 00	8934	COUNTERHOLDER
N/A	8938A	EXTRACTION CLAW
611 589 00 14 00	8936	FRONT CRANKSHAFT SEAL INSTALLER
N/A	8938	EXTRACTION CLAW
613 589 00 33 00	8940	VIBRATION DAMPER REMOVER
N/A	8941	SLIDE HAMMER
611 589 00 15 00	8942	OIL JET INSTALLER
611 589 01 14 00	8944	REAR MAIN SEAL INSTALLER
N/A	9312-1	CHAIN SEPARATOR / RIVETING TOOL
	9312-4	THRUST PIECE
N/A	9312-3	PRESSING SCREW
602 589 02 40 00	8951	ASSEMBLY LINKS
N/A	9312-5 THRU 12	ASSEMBLY INSERTS
N/A	9285	FUEL LINE WRENCH
N/A	9286	GLOW PLUG PLIERS
N/A	9295	COMPRESSION HOSE ADAPTER
111 589 25 61 00	9307	VALVE SERVICE TOOLS
N/A	8534-16	ENGINE SUPPORT FIXTURE ADAPTERS
N/A	9308	ENGINE LIFTING FIXTURE
N/A	9525	TIMING CHAIN GUIDE
N/A	9534	ADAPTOR
N/A	9539	FUEL LINE PLIERS



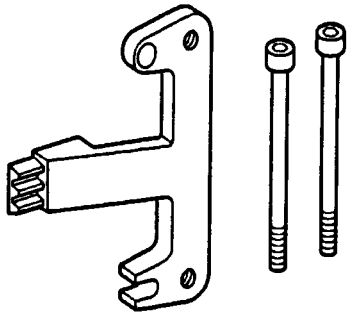
80e492e9

#8927 COMPRESSION TESTER ADAPTER



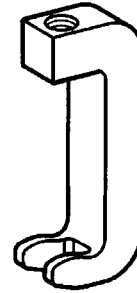
80e492c7

#8929 CAMSHAFT LOCKING PIN



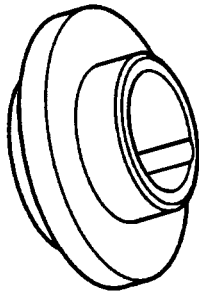
80e4929a

#8932 CRANKSHAFT LOCK



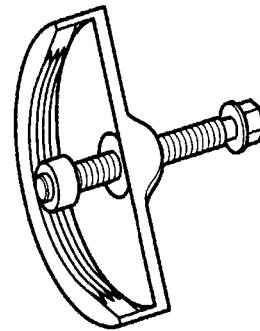
80e492ee

#8938A EXTRACTION CLAW



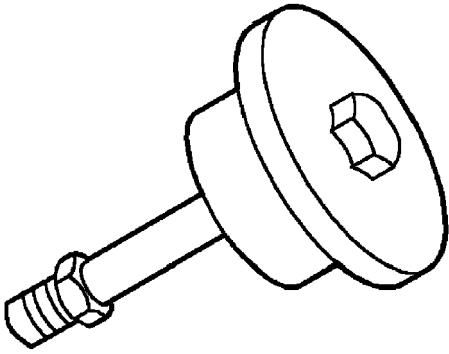
80e49185

#8936 FRONT CRANKSHAFT SEAL INSTALLER

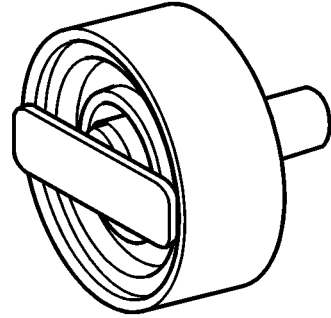


80e492e4

#8940 VIBRATION DAMPER REMOVER

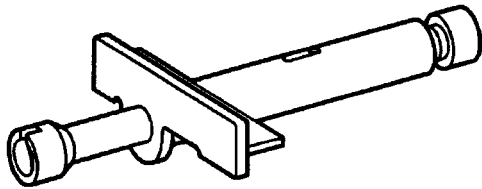


#8941 SLIDE HAMMER



80e49274

#8944 REAR MAIN SEAL INSTALLER



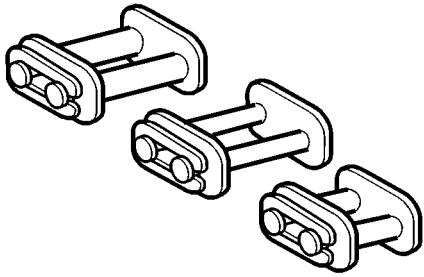
80e492e0

#8942 OIL JET INSTALLER



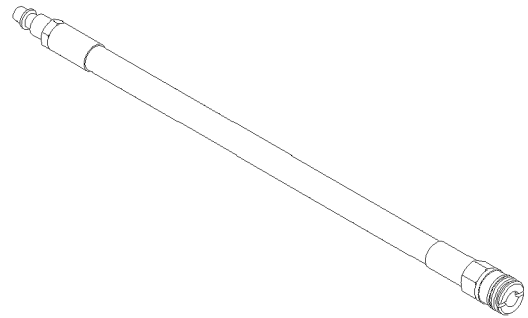
80e4922a

#9307 VALVE SERVICE TOOLS

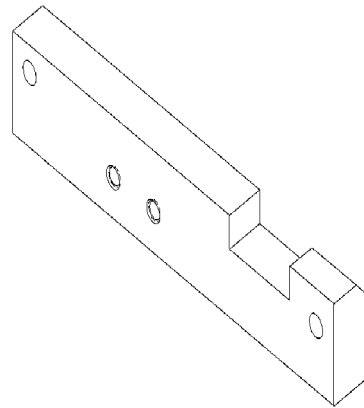


#8951 ASSEMBLY LINKS

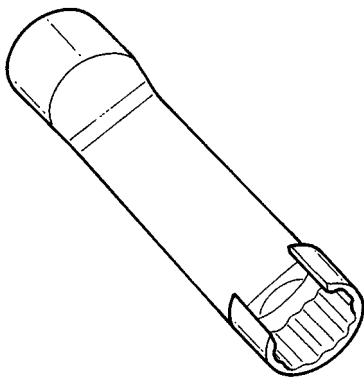
80e492a7



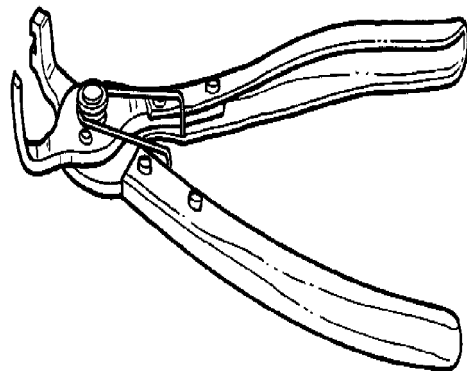
#9295 COMPRESSION HOSE ADAPTOR



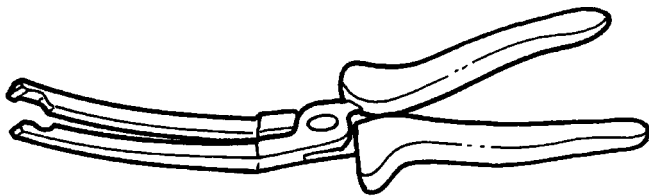
#9525 TIMING CHAIN GUIDE



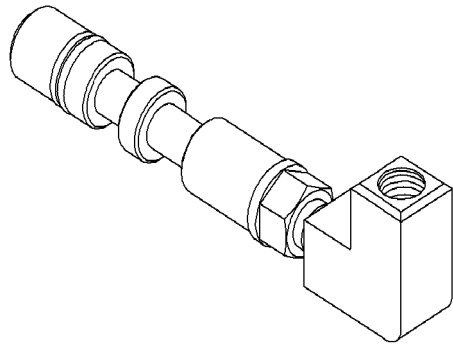
#9285 FUEL LINE WRENCH



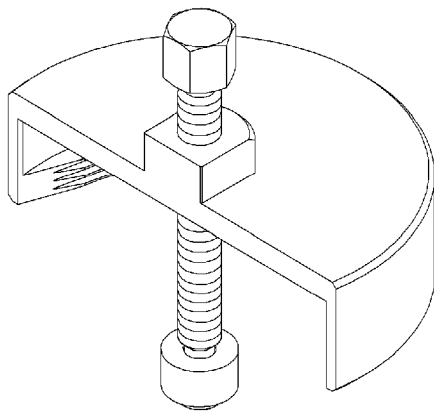
9539 FUEL LINE PLIERS



9286 GLOW PLUG PLIERS



#9543 ADAPTOR

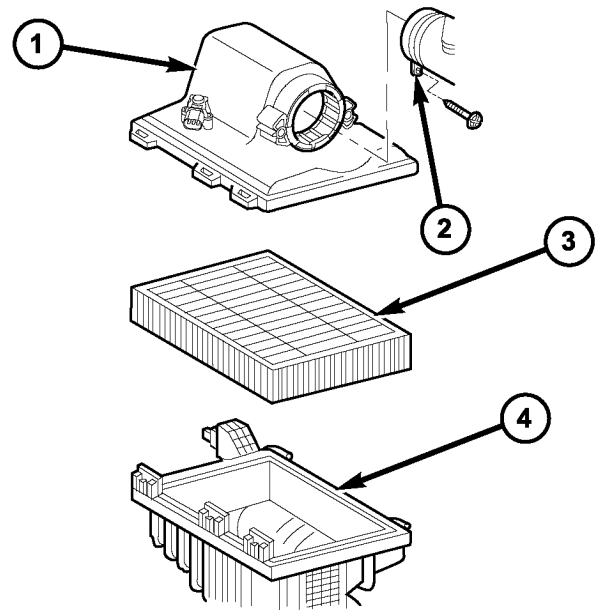


#9544 VIBRATION DAMPER PULLER

AIR CLEANER ELEMENT

REMOVAL

- (1) Remove heat shield.
- (2) Disconnect air flow sensor from housing (Fig. 10).
- (3) Unclip the air cleaner housing lid (Fig. 10).
- (4) Remove air cleaner element (Fig. 10).



812ccd21

Fig. 10 AIR CLEANER ELEMENT

- 1 - AIR CLEANER HOUSING COVER
- 2 - AIR FLOW SENSOR
- 3 - AIR CLEANER ELEMENT
- 4 - AIR CLEANER HOUSING

INSTALLATION

- (1) Position and seat the air cleaner element into the lower housing (Fig. 10).
- (2) Install the housing cover and snap retainers into place (Fig. 10).
- (3) Install air flow sensor into housing cover and connect. (Fig. 10).
- (4) Connect the air cleaner restriction sensor (Fig. 10)..
- (5) Install heat shield.

AIR CLEANER HOUSING

REMOVAL

- (1) Disconnect the negative battery cable.
- (2) Remove the heat shield.
- (3) Remove the air flow sensor (Refer to 14 - FUEL SYSTEM/FUEL INJECTION/MANIFOLD AIR FLOW (MAF) SENSOR - REMOVAL).
- (4) Disconnect the air intake pressure sensor, unclip the top of the air cleaner housing and remove (Fig. 11).
- (5) Take out air cleaner element (Fig. 11).
- (6) Detach bottom part of the air cleaner housing at the body (Fig. 11).
- (7) Take air intake hose out of inner fender and out of the rubber bushing in the wheel housing liner, then detach it at the bottom part of the air cleaner housing (Fig. 11).

(8) Remove bottom portion of the air cleaner housing out of the rubber bushings in the inner fender and remove (Fig. 11).

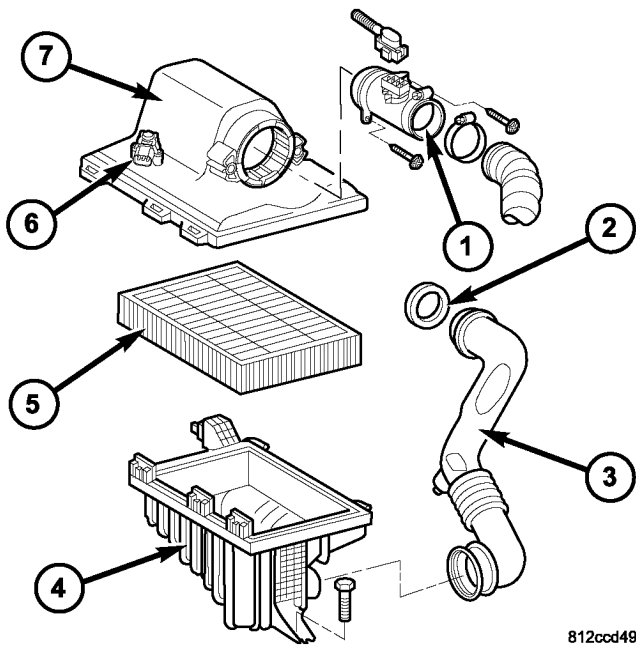


Fig. 11 AIR CLEANER HOUSING

- 1 - AIR FLOW SENSOR
- 2 - GASKET
- 3 - AIR INTAKE HOSE
- 4 - AIR CLEANER HOUSING
- 5 - AIR CLEANER ELEMENT
- 6 - AIR INTAKE PRESSURE SENSOR
- 7 - AIR CLEANER HOUSING COVER

INSTALLATION

NOTE: Ensure that the seal between the inner fender well and the air intake hose is correctly installed.

(1) Seat and retain bottom portion of the air cleaner housing into the bushings on the inner fender (Fig. 11).

(2) Install the air intake hose to the air cleaner housing the align and install it in the inner fender and wheel housing liner (Fig. 11).

(3) Install air cleaner element (Fig. 11).

(4) Install and clip air cleaner top to air cleaner body and connect the air intake pressure sensor (Fig. 11).

(5) Install air flow sensor (Fig. 11).

(6) Install heat shield.

(7) Connect negative battery cable.

CYLINDER HEAD

DESCRIPTION

The cylinder head is made of high temperature resistant aluminum alloy and features optimized spi-

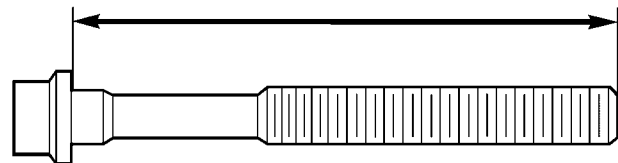
ral swirl intake ducts and a separate camshaft housing made of die cast aluminum. The combustion chamber features four valves per cylinder, central injectors and glow plugs arranged slant wise. The intake and exhaust valves have solid valve stems and conical valve springs. The cylinder head is not serviceable and must be replaced should a repair become necessary.

STANDARD PROCEDURE

STANDARD PROCEDURE - CYLINDER HEAD BOLT INSPECTION

(1) Measure cylinder head bolts between points shown (Fig. 12).

Cylinder Head Bolts	Thread Diameter	12 M
	Length When New	102 mm
	Maximum Length	104 mm



80e214d0

Fig. 12 Measuring Cylinder Head Bolts

(2) If the cylinder head bolt length is greater than the maximum allowable measurement, replace the cylinder head bolts.

STANDARD PROCEDURE - MEASURE CYLINDER HEAD SURFACE

NOTE: DO NOT machine the cylinder head surface.

(1) Disconnect negative battery cable.

(2) Remove cylinder head (Refer to 9 - ENGINE/CYLINDER HEAD - REMOVAL).

(3) Remove valves.

(4) Inspect cylinder head contact surface for flatness, porous and damage.

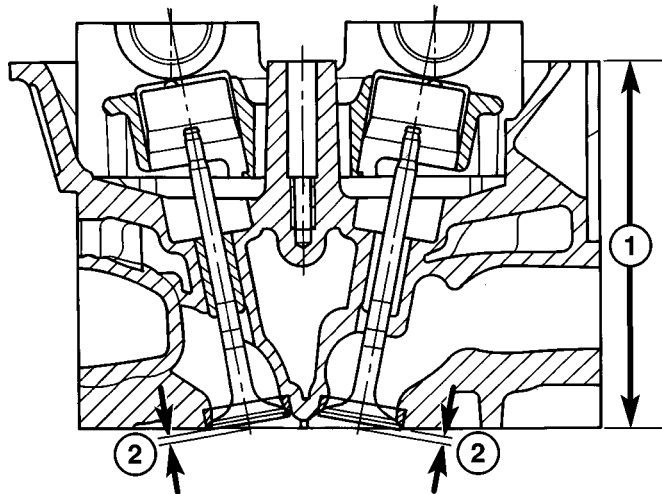
(5) Using a straight edge, measure cylinder head and cylinder block flatness.

(6) Measure cylinder head height at point (1) indicated and retain reading (Fig. 13).

NOTE: The camshaft housing Must Not be machined. Basic bore of the camshaft bearings will be altered.

(7) Measure cylinder head height (1) at point indicated, record stock removal (Fig. 13) CYLINDER HEAD SPECIFICATIONS.

(8) Measure valve setback at points (2) indicated (Fig. 13) CYLINDER HEAD SPECIFICATIONS.



80e462fd

Fig. 13 Cylinder Head Measurements

- 1 - CYLINDER HEAD HEIGHT
- 2 - VALVE SETBACK

NOTE: If measurement is less than dimension "2" no further correct valve clearance compensation is possible; replace the cylinder head.

CYLINDER HEAD SPECIFICATIONS

Description	Specification
Height of Cylinder Head (1), With Out Camshaft Housing	126.85mm to 127.15mm
Valve Set Back (2) With New Valves and New Valve Seat Rings	Exhaust Valve: 1.0mm - 1.4mm Intake Valve: 1.1mm - 1.5mm

REMOVAL

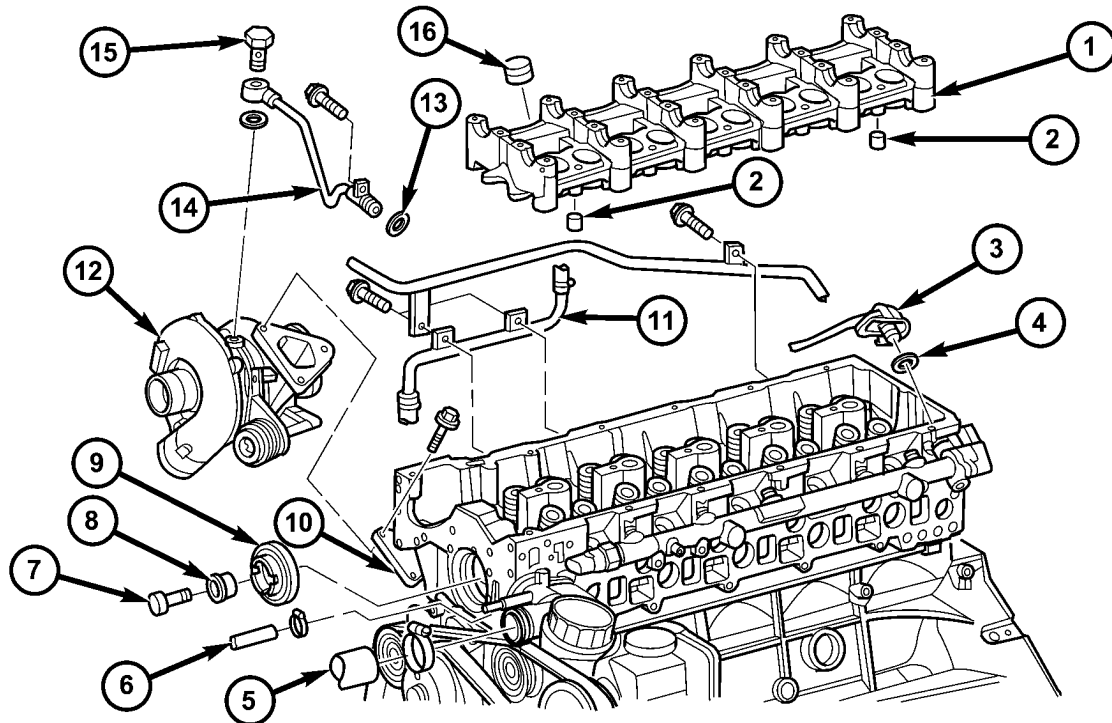
REMOVAL - CYLINDER HEAD

- (1) Disconnect negative battery cable.
- (2) Position piston of cylinder #1 to ignition TDC.

- (3) Raise and support vehicle.
- (4) Install retaining lock # 8932 for crankshaft/ starter ring gear.

WARNING: RISK OF INJURY TO SKIN AND EYES FROM SCALDING COOLANT. DO NOT OPEN COOLING SYSTEM UNLESS TEMPERATURE IS BELOW 90°C (194°F). OPEN CAP SLOWLY TO RELEASE PRESSURE. STORE COOLANT IN APPROVED CONTAINER ONLY. WEAR PROTECTIVE GLOVES, CLOTHING AND EYE WEAR.

- (5) Drain cooling system at radiator and crankcase (Refer to 7 - COOLING/ENGINE/COOLANT - STANDARD PROCEDURE).
- (6) Loosen the lower turbo support bracket bolt.
- (7) Remove the upper support bracket bolt.
- (8) Loosen the fasteners retaining the exhaust pipe to the support bracket at the rear of the engine.
- (9) Lower vehicle.
- (10) Remove engine cover. (Refer to 9 - ENGINE COVER- REMOVAL).
- (11) Remove camshafts (Refer to 9 - ENGINE/CYLINDER HEAD/CAMSHAFT(S) - REMOVAL).



81152535

Fig. 14 CAMSHAFT HOUSING

- | | |
|----------------------|--|
| 1 - CAMSHAFT HOUSING | 9 - HIGH PRESSURE PUMP INTERMEDIATE GEAR |
| 2 - DOWEL | 10 - EXHAUST MANIFOLD |
| 3 - FUEL PIPE | 11 - COOLANT PIPE |
| 4 - O-RING | 12 - TURBOCHARGER |
| 5 - COOLANT HOSE | 13 - O-RING |
| 6 - COOLANT HOSE | 14 - TURBOCHARGER OIL SUPPLY LINE |
| 7 - BOLT | 15 - BANJO BOLT |
| 8 - BUSHING | 16 - TAPPET |

(12) Remove the camshaft housing at the cylinder head (Fig. 14).

(13) Remove the high pressure pump.

(14) Remove the front head cover plate.

WARNING: NO FIRE, OPEN FLAMES OR SMOKING. RISK OF POISONING FROM INHALING AND SWALLOWING FUEL. RISK OF INJURY FROM SKIN AND EYE CONTACT WITH FUEL. POUR FUELS ONLY INTO SUITABLE AND APPROPRIATELY MARKED CONTAINERS. WEAR PROTECTIVE CLOTHING WHEN HANDLING FUEL.

(15) Remove the high pressure fuel pump intermediate gear (Fig. 14).

(16) Disconnect the engine side of the engine harness and set aside.

(17) Disconnect the charge air pipe at the cylinder head and set aside with the engine harness connected.

(18) Remove the turbocharger oil supply line at the cylinder head and turbocharger (Fig. 14).

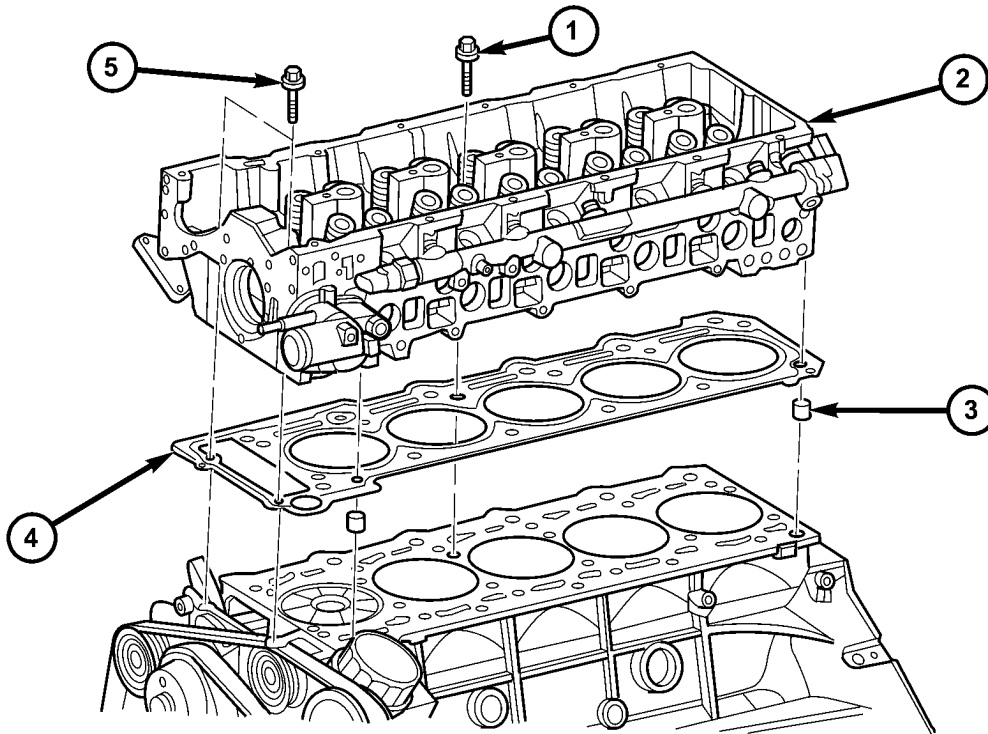
(19) Disconnect the turbocharger at the exhaust manifold (Fig. 14).

(20) Unbolt the transmission oil level indicator tube fasteners from the cylinder head and engine block (Fig. 14).

(21) Disconnect the upper radiator hose and by pass hose at the thermostat housing (Fig. 14).

NOTE: Capture any fuel spillage when disconnecting fuel lines.

(22) Disconnect the fuel line at the rear of the fuel rail (Fig. 14).



81152533

Fig. 15 CYLINDER HEAD

1 - CYLINDER HEAD BOLT
2 - CYLINDER HEAD
3 - DOWEL

4 - GASKET
5 - BOLT TO TIMING COVER

(23) Remove upper timing case to cylinder head bolts (Fig. 15).

NOTE: Loosen cylinder head bolts in the reverse order of the tightening sequence.

(24) Remove cylinder head bolts and inspect (Refer to 9 - ENGINE/CYLINDER HEAD - STANDARD PROCEDURE).

(25) Remove cylinder head (Fig. 15).

NOTE: Carefully clean all mating surfaces and bolt thread holes. Assure that no oil or grease is present during reassembly.

(26) Clean all mating surfaces and blow out bolt thread holes.

REMOVAL - CYLINDER HEAD FRONT COVER

(1) Disconnect negative battery cable.

(2) Remove engine cover (Refer to 9 - ENGINE - REMOVAL).

(3) Remove cylinder head cover (Refer to 9 - ENGINE/CYLINDER HEAD/CYLINDER HEAD COVER(S) - REMOVAL).

(4) Remove timing chain tensioner (Refer to 9 - ENGINE/VALVE TIMING/TMNG BELT/CHAIN TENSIONER&PULLEY - REMOVAL).

WARNING: NO FIRE, OPEN FLAMES OR SMOKING. SERVICE VEHICLE IN WELL VENTILATED AREAS AND AVOID IGNITION SOURCES. RISK OF POISONING FROM INHALING AND SWALLOWING FUEL. RISK OF INJURY FROM SKIN AND EYE CONTACT WITH FUEL. POUR FUELS ONLY INTO SUITABLE AND APPROPRIATELY MARKED CONTAINERS. WEAR PROTECTIVE CLOTHING WHEN HANDLING FUEL.

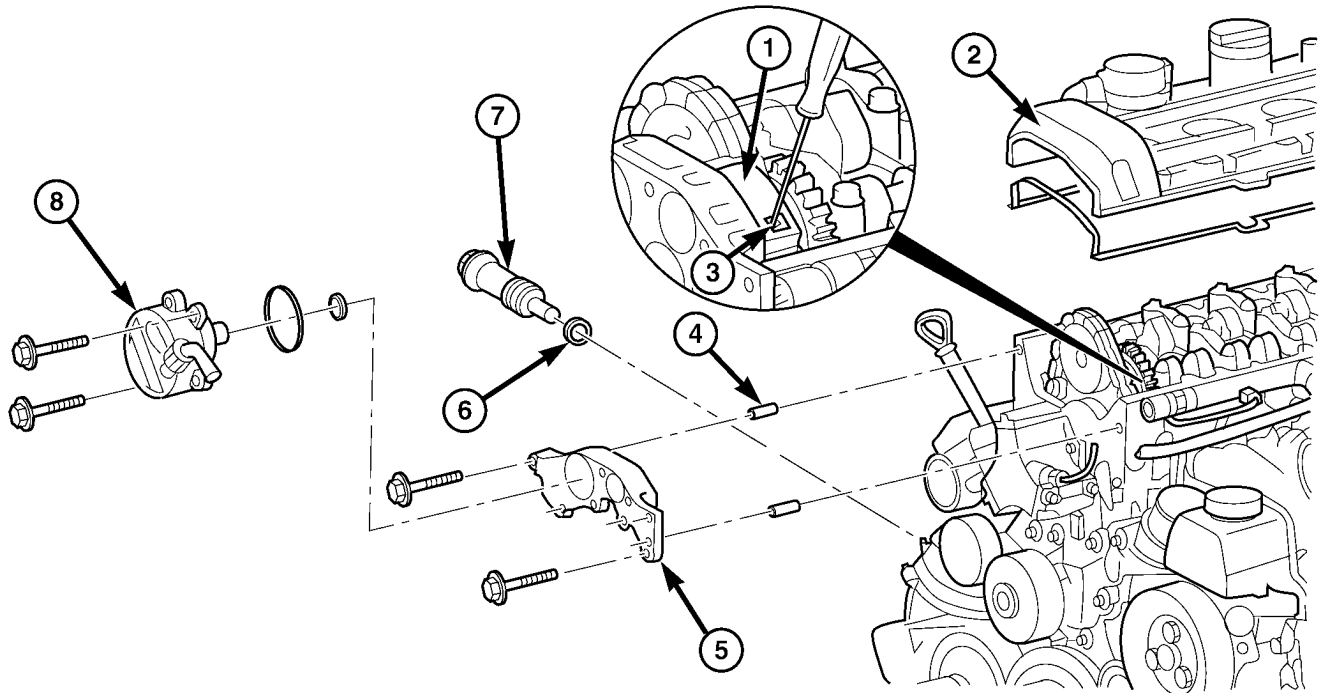
(5) Remove vacuum pump (Refer to 9 - ENGINE/ENGINE BLOCK/INTERNAL VACUUM PUMP - REMOVAL).

(6) Remove bolts attaching front cover.

NOTE: Lower portion of front cover is sealed with RTV sealant. Carefully tug at front cover until it loosens from cylinder head.

(7) Raise locking pawl of top guide rail and remove cylinder head front cover (Fig. 16).

NOTE: Dowel pins are use as a guide during assembly and must remain in the proper position to assure a good sealing surface.



812ce812

Fig. 16 CYLINDER HEAD FRONT COVER

1 - TOP GUIDE RAIL
 2 - CYLINDER HEAD COVER
 3 - LOCKING PAWL
 4 - DOWEL PIN

5 - CYLINDER HEAD FRONT COVER
 6 - SEAL
 7 - TIMING CHAIN TENSIONER
 8 - VACUUM PUMP

REMOVAL - CYLINDER HEAD GUIDE RAIL

- (1) Disconnect negative battery cable.

CAUTION: Rotate engine at crankshaft only. **DO NOT** rotate the engine with the bolt of the camshaft sprocket. **DO NOT** rotate the engine back.

NOTE: Markings on the camshaft and camshaft bearing cap must be aligned.

- (2) Position piston of number 1 cylinder to ignition TDC.

(3) Remove engine cover. (Refer to 9 - ENGINE/CYLINDER HEAD/CYLINDER HEAD COVER(S) - REMOVAL).

(4) Remove timing chain tensioner (Refer to 9 - ENGINE/VALVE TIMING/TIMING BELT/CHAIN AND SPROCKETS - REMOVAL).

(5) Carefully raise locking pawl of top slide rail and remove front cover at cylinder head (Fig. 16).

(6) Insert a locking pin through 1st camshaft bearing cap into the hole in the inlet camshaft sprocket.

(7) Counter hold the camshaft with an open end wrench to avoid damage and unbolt driver of inlet camshaft sprocket.

- (8) Remove top guide rail.

INSTALLATION

INSTALLATION - CYLINDER HEAD

WARNING: (Refer to 14 - FUEL SYSTEM - WARNING)

NOTE: Thoroughly clean all mating surfaces with appropriate solvents and blow out bolt holes, to assure that no grease or oil is present during reassembly. If piston or connecting rods have been replaced, measure piston protrusion. Inspect all cylinder head bolts for defects and stretching before installation (Refer to 9 - ENGINE/CYLINDER HEAD - STANDARD PROCEDURE). Inspect facing cylinder head contact surface.

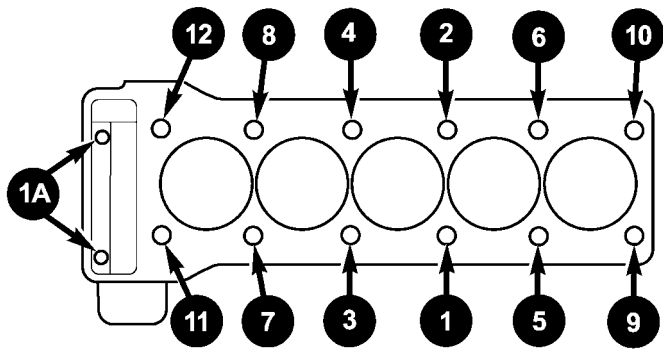
- (1) Position the cylinder head and gasket properly on engine using the dowel pins as a guide (Fig. 15).

CAUTION: The M12 cylinder head bolts must be torqued in 3 stages.

NOTE: Add a small amount of clean engine oil to the cylinder head bolt threads prior to installation.

(2) Hand start clean head bolts and tighten per the following procedure:

- Install M12 cylinder head bolts finger tight (Fig. 15).
- Tighten bolts in numeric order starting with number 1 to 15 N·m (133 lbs.in.) (Fig. 17).
- Tighten bolts in numeric order starting with number 1 to 60 N·m (44 lbs.ft.) (Fig. 17).
- Install M8 timing chain cover to cylinder head bolts. Tighten to 20N·m (177 lbs.in.).
- Tighten M12 cylinder head bolts in numeric order starting with number 1 an additional 90° (Fig. 17).
- Tighten M12 cylinder head bolts in numeric order starting with number 1 an additional 90° again (4 stages). (Fig. 17).



80e2193a

Fig. 17 CYLINDER HEAD BOLT TORQUE SEQUENCE

(3) Install fuel return flow line between rail and high pressure pump (Fig. 14).

(4) Connect the coolant hoses to the thermostat housing (Fig. 14).

(5) Connect the coolant pipe at the cylinder head (Fig. 14).

(6) Reconnect transmission oil level indicator tube. Tighten to 14 N·m (124 lbs. in.) (Fig. 14).

(7) Reconnect the turbocharger to the exhaust manifold. Tighten to 30N·m (22 lbs.ft.) (Fig. 14).

(8) Install oil return flow line with new seals at turbocharger. Tighten bolt of supply line to turbocharger to 18N·m (160 lbs. in.) and bolt of supply line to cylinder head to 9N·m (80 lbs. in.) (Fig. 14)

(9) Install charge air distribution pipe (Refer to 11 - EXHAUST SYSTEM/TURBOCHARGER SYSTEM - INSTALLATION).

(10) Install and properly route the engine wiring harness, making appropriate connections.

(11) Install high pressure fuel pump intermediate gear (Fig. 14).

(12) Install high pressure pump (Refer to 14 - FUEL SYSTEM/FUEL DELIVERY/FUEL INJECTION PUMP - INSTALLATION).

(13) Install the camshaft housing with tappets to cylinder head (Fig. 14).

(14) Install camshafts (Refer to 9 - ENGINE/CYLINDER HEAD/CAMSHAFT(S) - INSTALLATION).

(15) Install top guide rail (Refer to 9 - ENGINE/VALVE TIMING/TIMING BELT/CHAIN AND SPROCKETS - INSTALLATION).

(16) Install front cover at cylinder head (Refer to 9 - ENGINE/CYLINDER HEAD - INSTALLATION).

(17) Install cylinder head cover (Refer to 9 - ENGINE/CYLINDER HEAD/CYLINDER HEAD COVER(S) - INSTALLATION).

(18) Install fuel high pressure pipes and injectors (Refer to 14 - FUEL SYSTEM/FUEL INJECTION/FUEL INJECTOR - INSTALLATION).

(19) Install timing chain tensioner with new gasket. (Refer to 9 - ENGINE/VALVE TIMING/TIMING BELT/CHAIN AND SPROCKETS - INSTALLATION) Tighten to 80N·m (59 lbs.ft.).

(20) Remove retaining lock for crankshaft/starter ring gear.

(21) Install air intake tube at turbocharger (Refer to 11 - EXHAUST SYSTEM/TURBOCHARGER SYSTEM - INSTALLATION).

(22) Install the fasteners retaining the front exhaust pipe to the support bracket at the read of the engine.

(23) Install the upper support bracket fastener.

(24) Install the lower turbo support bracket bolt.

(25) Install engine cover (Refer to 9 - ENGINE - INSTALLATION).

NOTE: DO NOT pressure test cooling system until engine has reached operating temperature.

(26) Refill cooling system with proper coolant mixture to proper level (Refer to 7 - COOLING/ENGINE/COOLANT - STANDARD PROCEDURE).

(27) Connect negative battery cable.

WARNING: USE EXTREME CAUTION WHEN THE ENGINE IS OPERATING. DO NOT STAND IN A DIRECT LINE WITH THE FAN. DO NOT PUT YOUR HANDS NEAR THE PULLEYS, BELTS OR FAN. DO NOT WEAR LOOSE CLOTHES.

(28) Start engine and inspect for leaks. Care must be taken to observe the fuel system warning (Refer to 14 - FUEL SYSTEM - WARNING)

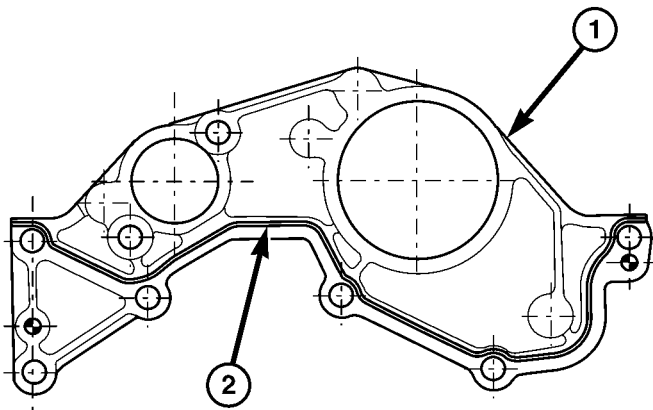
INSTALLATION - CYLINDER HEAD FRONT COVER

NOTE: Thoroughly clean all mating surfaces with appropriate solvents to assure that no grease or oil is present during reassembly.

NOTE: Dowel pins are used as a guide during assembly and must remain in the proper position to assure a good sealing surface.

(1) Apply sealant to the marked surfaces with a bead thickness of 1.5 ± 0.5 mm (Fig. 18).

NOTE: Install front cover of cylinder head within 10 minutes after applying sealant. Do not spread sealing bead.



80e76ac5

Fig. 18 CYLINDER HEAD COVER SEALING SURFACE

- 1 - CYLINDER HEAD FRONT COVER
2 - SEALANT BEAD

(2) Raise locking pawl of top guide rail and guide front cover onto guide pins.

(3) Install bolts attaching front cover (Fig. 16) Tighten bolts to 14N·m (124 lbs. in.).

WARNING: NO FIRE, OPEN FLAMES OR SMOKING. REMOVE SOURCES OF IGNITION FROM THE AREA. WEAR PROTECTIVE CLOTHING WHEN HANDLING FUEL. RISK OF POISONING FROM INHALING AND SWALLOWING FUEL. RISK OF INJURY FROM SKIN AND EYE CONTACT WITH FUEL. POUR FUELS ONLY INTO SUITABLE AND APPROPRIATELY MARKED CONTAINERS.

(4) Install vacuum pump (Refer to 9 - ENGINE/ENGINE BLOCK/INTERNAL VACUUM PUMP - INSTALLATION).

NOTE: Timing chain tensioner must be installed with a new gasket.

(5) Install timing chain tensioner (Refer to 9 - ENGINE/VALVE TIMING/TIMING BELT/CHAIN AND SPROCKETS - INSTALLATION).

(6) Connect negative battery cable.

WARNING: USE EXTREME CAUTION WHEN THE ENGINE IS OPERATING. DO NOT STAND IN A DIRECT LINE WITH THE FAN. DO NOT PUT YOUR HANDS NEAR THE PULLEYS, BELTS OR FAN. DO NOT WEAR LOOSE CLOTHES.

(7) Start the engine and inspect for leaks. Care must be taken to observe the fuel system warning (Refer to 14 - FUEL SYSTEM - WARNING)

INSTALLATION - CYLINDER HEAD GUIDE RAIL

(1) Carefully position the top guide rail onto the guide pins.

(2) Counter hold the camshaft with an open end wrench and install driver of inlet camshaft sprocket. Tight bolt to 50N·m (37 lbs. ft.).

(3) Remove camshaft sprocket locking pin.

(4) Carefully raise locking pawl of top guide rail and install front cover at cylinder head (Fig. 16).

(5) Install timing chain tensioner with new gasket (Refer to 9 - ENGINE/VALVE TIMING/TIMING BELT/CHAIN AND SPROCKETS - INSTALLATION).

(6) Install engine cover (Refer to 9 - ENGINE/CYLINDER HEAD/CYLINDER HEAD COVER(S) - INSTALLATION).

(7) Reconnect negative battery cable.

WARNING: US EXTREME CAUTION WHEN THE ENGINE IS OPERATING. DO NOT STAND IN A DIRECT LINE WITH THE FAN. DO NOT PUT YOUR HANDS NEAR THE PULLEYS, BELTS OR FAN. DO NOT WEAR LOOSE CLOTHES.

(8) Start engine and inspect for leaks.

CAMSHAFT(S)

STANDARD PROCEDURE

STANDARD PROCEDURE - CHECKING CAM-SHAFT POSITION

(1) Disconnect negative battery cable.

(2) Remove engine cover (Refer to 9 - ENGINE COVER - REMOVAL).

WARNING: (Refer to 14 - FUEL SYSTEM - WARNING)

(3) Remove injectors (Refer to 14 - FUEL SYSTEM/FUEL INJECTION/FUEL INJECTOR - REMOVAL).

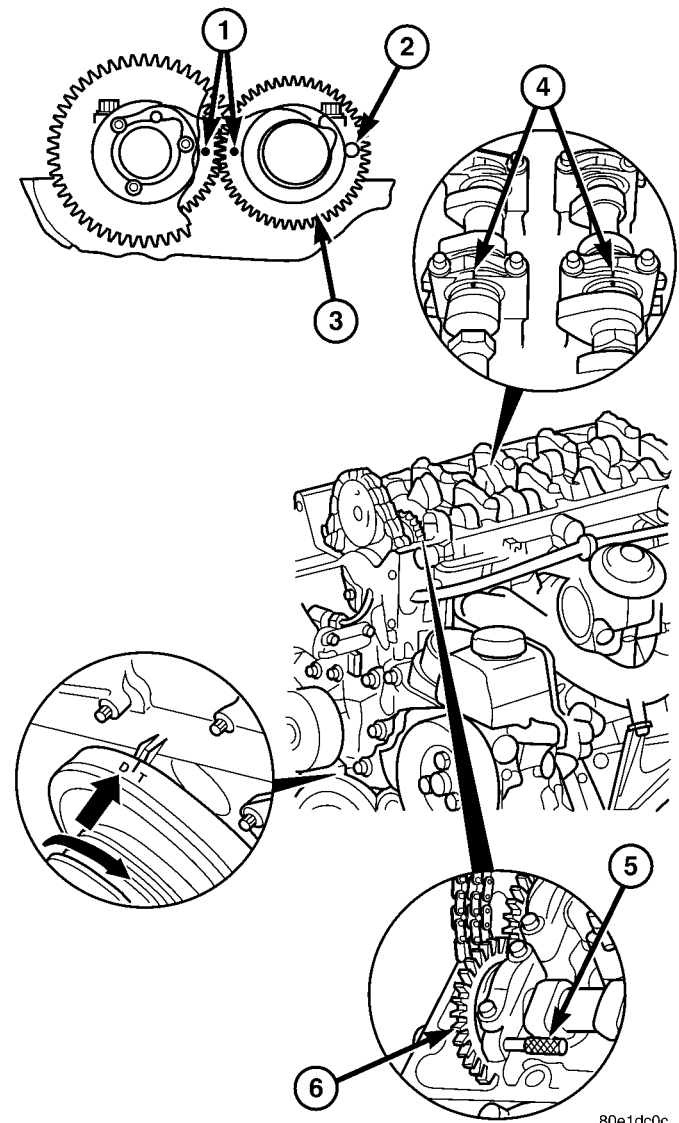
(4) Clean injectors and recesses (Refer to 14 - FUEL SYSTEM/FUEL INJECTION/FUEL INJECTOR - STANDARD PROCEDURE).

(5) Remove cylinder head cover (Refer to 9 - ENGINE/CYLINDER HEAD/CYLINDER HEAD COVER(S) - REMOVAL).

NOTE: Rotate engine at crankshaft only. DO NOT crank engine at the camshaft and DO NOT rotate the engine backward.

(6) Position piston of cylinder #1 to ignition TDC.

(7) Insert the locking pin (special tool #8929) through first camshaft bearing cap into the hole in the left inlet camshaft sprocket (Fig. 19).



80e1dc0c

Fig. 19 CHECKING CAMSHAFT POSITION

- 1 - CAMSHAFT SPROCKET ALIGNMENT DOTS
- 2 - CAMSHAFT LOCK POSITION
- 3 - INTAKE CAMSHAFT SPROCKET
- 4 - CAMSHAFT AND BEARING CAP ALIGNMENT MARKS
- 5 - CAMSHAFT LOCKING PIN (SPECIAL TOOL #8929)
- 6 - INTAKE CAMSHAFT SPROCKET

NOTE: The two markings in the inlet camshaft sprockets must be positioned opposite and markings of camshaft and camshaft bearing cap must be aligned. If not, perform basic position of camshafts.

(8) Remove locking pin from camshaft bearing cap hole.

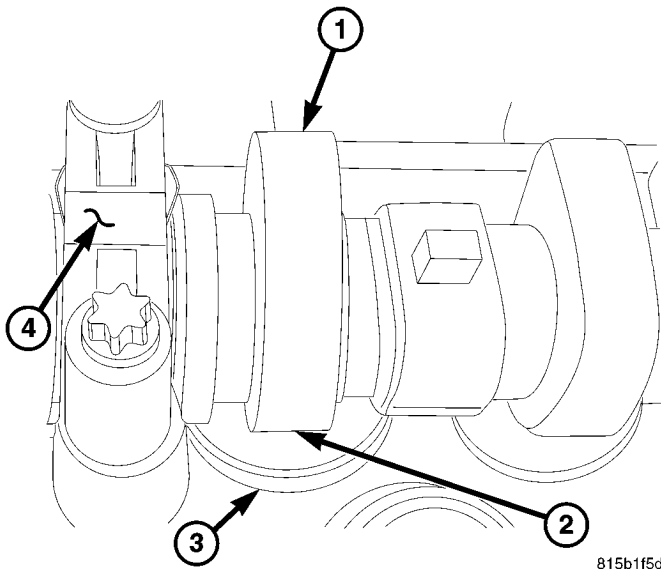
(9) Install cylinder head cover (Refer to 9 - ENGINE/CYLINDER HEAD/CYLINDER HEAD COVER(S) - INSTALLATION).

(10) Install injectors (Refer to 14 - FUEL SYSTEM/FUEL INJECTION/FUEL INJECTOR - INSTALLATION).

WARNING: USE EXTREME CAUTION WHEN THE ENGINE IS OPERATING. DO NOT STAND IN A DIRECT LINE WITH THE FAN. DO NOT PUT YOUR HANDS NEAR THE PULLEYS, BELTS OR FAN. DO NO WEAR LOOSE CLOTHING.

(11) Start the engine and inspect for leaks.

STANDARD PROCEDURE - INSPECTING TAPPET CLEARANCE



815b1f5d

Fig. 20 TAPPET CLEARANCE

- 1 - CAMSHAFT
- 2 - PRESSURE APPLICATION POINT
- 3 - HYDRAULIC TAPPET
- 4 - CAMSHAFT HOLD DOWN

- (1) Check engine oil level, adjust as necessary.
- (2) Warm engine to operating temperature (approx. 80°C, 176°F).
- (3) Remove the cylinder head cover (Refer to 9 - ENGINE/CYLINDER HEAD/CYLINDER HEAD COVER(S) - REMOVAL).
- (4) Rotate the engine by the crankshaft until the camshaft, at the tappet to be tested, is at its base circle (camshaft nose must point upward) (Fig. 20).

NOTE: Do not use a tool that will mar or damage the tappet surface. If applied pressure is too strong the tappet will appear to drop, but what happens is, the valve opens.

- (5) Use a pressing tool and apply pressure to the tappet by hand (Fig. 20).
- (6) If the tappet drops faster in comparison to the other tappets, remove the camshaft and replace the tappet.

REMOVAL

NOTE: Tappets are serviced Only when replacing the camshaft housing. Inspect tappet clearance (Refer to 9 - ENGINE/CYLINDER HEAD/CAMSHAFT(S) - STANDARD PROCEDURE).

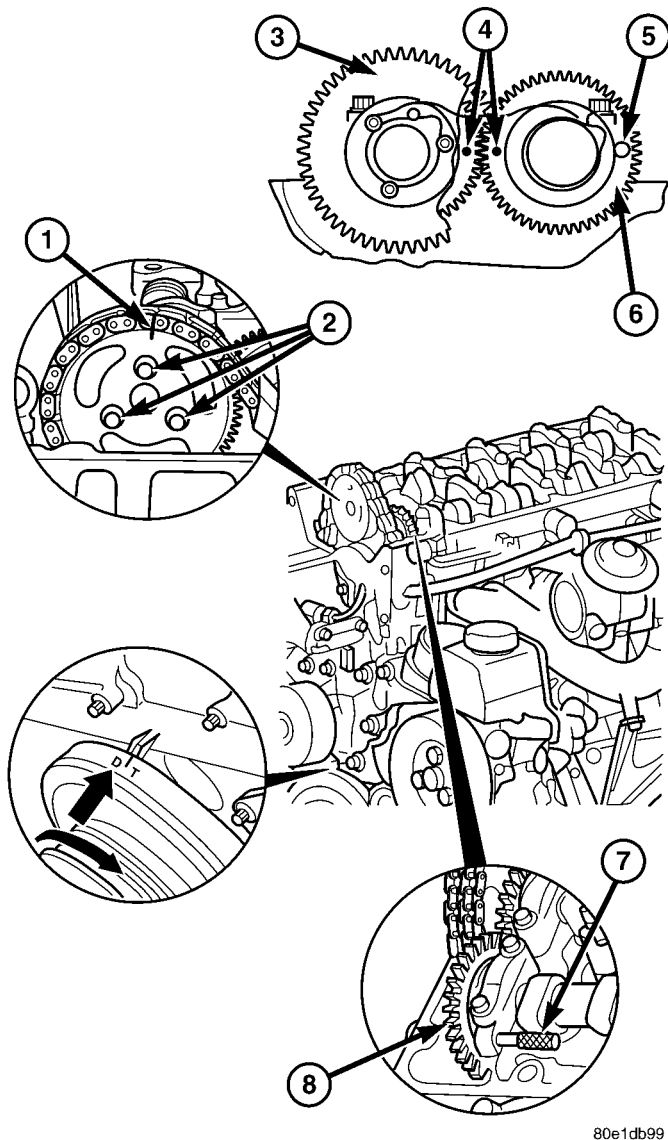
- (1) Disconnect negative battery cable.
- (2) Remove engine cover. (Refer to 9 - ENGINE - REMOVAL).

WARNING: (Refer to 14 - FUEL SYSTEM - WARNING)

- (3) Remove high pressure lines and injectors (Refer to 14 - FUEL SYSTEM/FUEL INJECTION/FUEL INJECTOR - REMOVAL).
- (4) Remove cylinder head cover (Refer to 9 - ENGINE/CYLINDER HEAD/CYLINDER HEAD COVER(S) - REMOVAL).

NOTE: Rotate engine at the crankshaft only. DO NOT rotate the engine at the camshaft. DO NOT rotate the engine backward.

- (5) Position piston of cylinder #1 to ignition TDC.
- (6) Lock inlet camshaft (Fig. 21).



80e1db99

Fig. 21 CAMSHAFT ALIGNMENT

- 1 - EXHAUST CAMSHAFT SPROCKET AND CHAIN MARKING
- 2 - EXHAUST CAMSHAFT SPROCKET BOLTS
- 3 - EXHAUST CAMSHAFT SPROCKET
- 4 - CAMSHAFT ALIGNMENT DOTS
- 5 - INTAKE CAMSHAFT LOCK POSITION
- 6 - INTAKE CAMSHAFT SPROCKET
- 7 - INTAKE CAMSHAFT LOCK (SPECIAL TOOL #8929)
- 8 - INTAKE CAMSHAFT SPROCKET

(7) Remove timing chain tensioner (Refer to 9 - ENGINE/VALVE TIMING/TIMING BELT/CHAIN AND SPROCKETS - REMOVAL).

NOTE: The lower portion of the cylinder head front cover is sealed with RTV sealant. Carefully tug front cover after bolt removal to loosen from cylinder head.

(8) Remove cylinder head front cover (Refer to 9 - ENGINE/CYLINDER HEAD - REMOVAL).

(9) Remove top side rail (Refer to 9 - ENGINE/CYLINDER HEAD - REMOVAL).

CAUTION: For all work in which the crankshaft should not rotate, secure camshaft gear to timing chain.

(10) Mark camshaft sprocket relative to timing chain.

(11) Unbolt camshaft sprocket from exhaust camshaft.

NOTE: Note the position of dowel pin for camshaft sprocket alignment during reassembly.

(12) Remove camshaft sprocket.

CAUTION: Camshaft bearing caps must remain in proper order and position.

NOTE: Slacken the bolts of the camshaft bearing caps evenly in steps of one turn until the back pressure is eliminated. Camshafts must not be twisted when slackening the camshaft bearing caps.

(13) Paint mark or scribe each camshaft bearing cap, identifying which camshaft and which position.

(14) Remove the camshaft bearing caps at exhaust camshaft bearing cap #1, #3,#4 and #6 in sequence.

(15) Remove the camshaft bearing caps at intake camshaft bearing cap #1, #3,#4 and #6 in sequence.

(16) Slacken the exhaust camshaft bearing cap bolts individually at the #2 cap then the #5 cap in steps of one revolution until the back pressure is removed.

(17) Slacken the intake camshaft bearing cap bolts individually at the #2 cap then the #5 cap in steps of one revolution until the back pressure is removed.

(18) Remove the inlet and exhaust camshafts (Fig. 22).

NOTE: Inspect camshaft and housing for wear or damage. Inspect the housing oiling ducts for build up or restrictions, clean as necessary. Also inspect the camshaft end cover for wear or damage, replace camshaft as necessary.

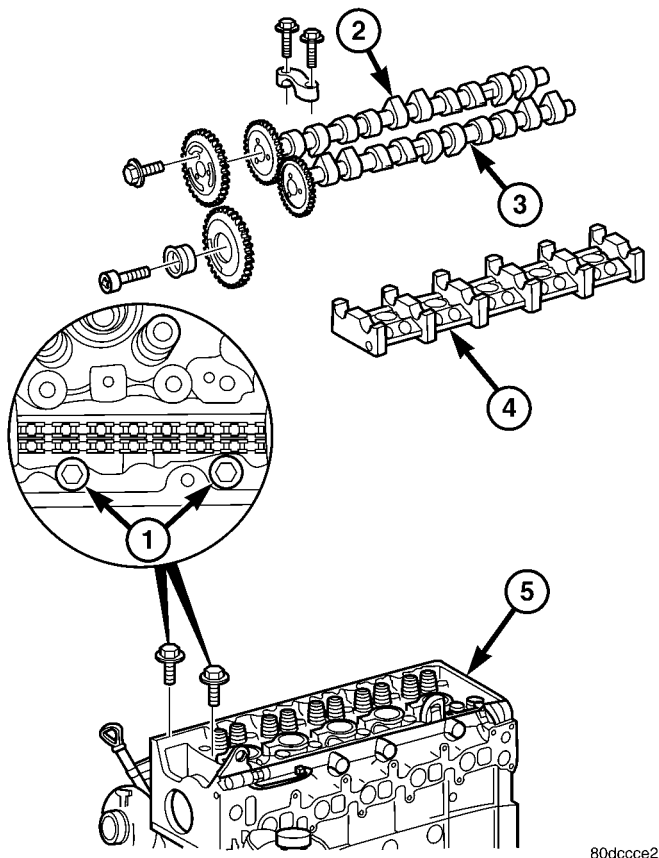


Fig. 22 CAMSHAFTS AND HOUSING ASSEMBLY

- 1 - CYLINDER HEAD BOLTS
- 2 - EXHAUST CAMSHAFT
- 3 - INTAKE CAMSHAFT
- 4 - CAMSHAFT HOUSING
- 5 - CYLINDER HEAD

80dccc2

INSTALLATION

CAUTION: The camshafts are sensitive to fracturing. Ensure they are installed free of stress. Oil bucket tappets and camshaft bearing points. Inspect ease of operation of bucket tappets.

CAUTION: Pay attention to assignment of camshafts. Camshaft code numbers are visible on the thrust collar of the axial bearing. Install camshafts so that the two holes in camshaft sprockets are positioned opposite and the markings of the camshaft and camshaft bearing cap are aligned.

- (1) Install inlet and exhaust camshafts.

NOTE: Tappets are Only serviced when replacing the camshaft housing. Inspect tappet clearance (Refer to 9 - ENGINE/CYLINDER HEAD/CAMSHAFT(S) - STANDARD PROCEDURE).

- (2) Align inlet and exhaust camshafts at axial bearing (Refer to 9 - ENGINE/CYLINDER HEAD/CAMSHAFT(S) - STANDARD PROCEDURE).

NOTE: Pay attention to markings on camshaft bearing caps.

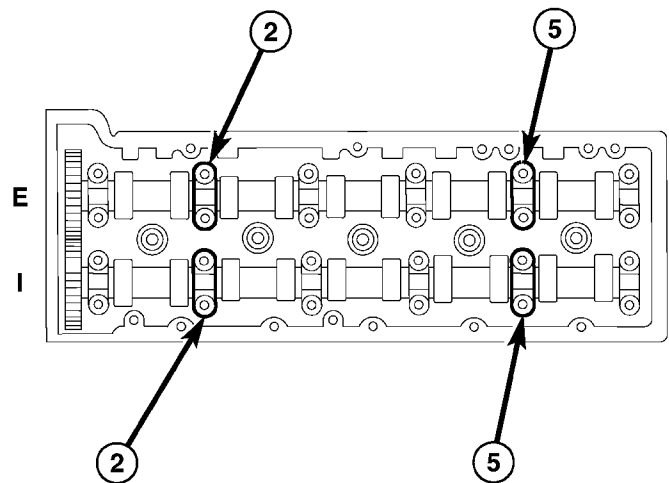
CAUTION: Do not rotate engine counter clockwise.

- (3) Position the piston of cylinder #1 to ignition TDC.

NOTE: Pay attention to markings on camshaft bearing caps and follow the tightening procedure below.

- (4) Install the #2 and #5 Exhaust cam bearing caps (Fig. 23).

- (5) Install the #2 and #5 Intake cam bearing caps (Fig. 23).

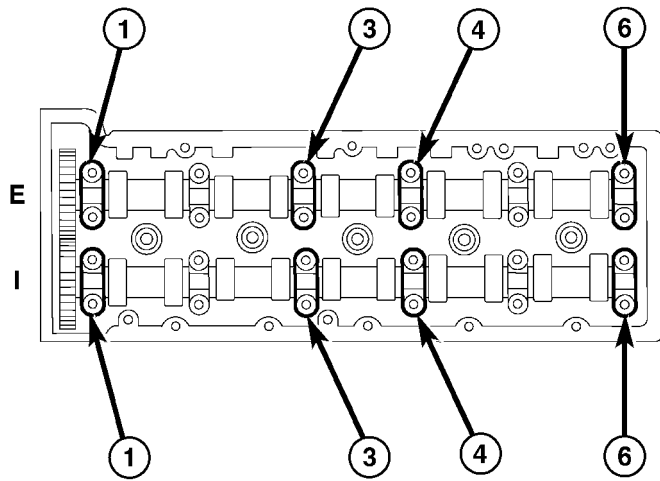


812d17f4

Fig. 23 CAMSHAFT BEARING TIGHTENING SEQUENCE #1

- (6) Tighten each of the #2 and #5 Intake and Exhaust bearing cap bolts evenly to 9N·m (80 lbs. in.) in steps each of 1 revolution (Fig. 23).

- (7) Install the remaining Intake and Exhaust cam bearing caps and tighten them evenly to 9N·m (80 lbs. in.) in steps each of 1 revolution (Fig. 24).



812d17f3

Fig. 24 CAMSHAFT BEARING TIGHTENING SEQUENCE #2

NOTE: The piston of cylinder #1 must be positioned at ignition TDC when the inlet camshaft is locked.

(8) Insert locking pin through the first camshaft bearing cap into the hole in the camshaft sprocket.

NOTE: Do Not use old camshaft sprocket bolts.

(9) Fit camshaft sprocket with timing chain fitted on, onto exhaust camshaft paying attention to position of dowel pin. Tighten bolt to 18N·m (159 lbs.in.).

(10) Install timing chain tensioner (Refer to 9 - ENGINE/VALVE TIMING/TIMING BELT/CHAIN AND SPROCKETS - INSTALLATION).

(11) Inspect/Set basic position of camshafts (Refer to 9 - ENGINE/CYLINDER HEAD/CAMSHAFT(S) - STANDARD PROCEDURE).

(12) Insert slide rail and bolt the driver into the inlet camshaft. Tighten bolt driver to 50N·m (37 lbs. in.).

(13) Install front cover at cylinder head.

(14) Install cylinder head cover (Refer to 9 - ENGINE/CYLINDER HEAD/CYLINDER HEAD COVER(S) - INSTALLATION).

NOTE: Refer to the appropriate injector servicing procedures for cleaning of injectors and recesses.

(15) Clean and install injectors (Refer to 14 - FUEL SYSTEM/FUEL INJECTION/FUEL INJECTOR - STANDARD PROCEDURE), (Refer to 14 - FUEL SYSTEM/FUEL INJECTION/FUEL INJECTOR - INSTALLATION).

(16) Reconnect negative battery cable.

WARNING: (Refer to 14 - FUEL SYSTEM - WARNING).

WARNING: USE EXTREME CAUTION WHEN THE ENGINE IS OPERATING. DO NOT STAND IN A DIRECT LINE WITH THE FAN. DO NOT PUT YOUR HANDS NEAR THE PULLEYS, BELTS OR FAN. DO NOT WEAR LOOSE CLOTHING.

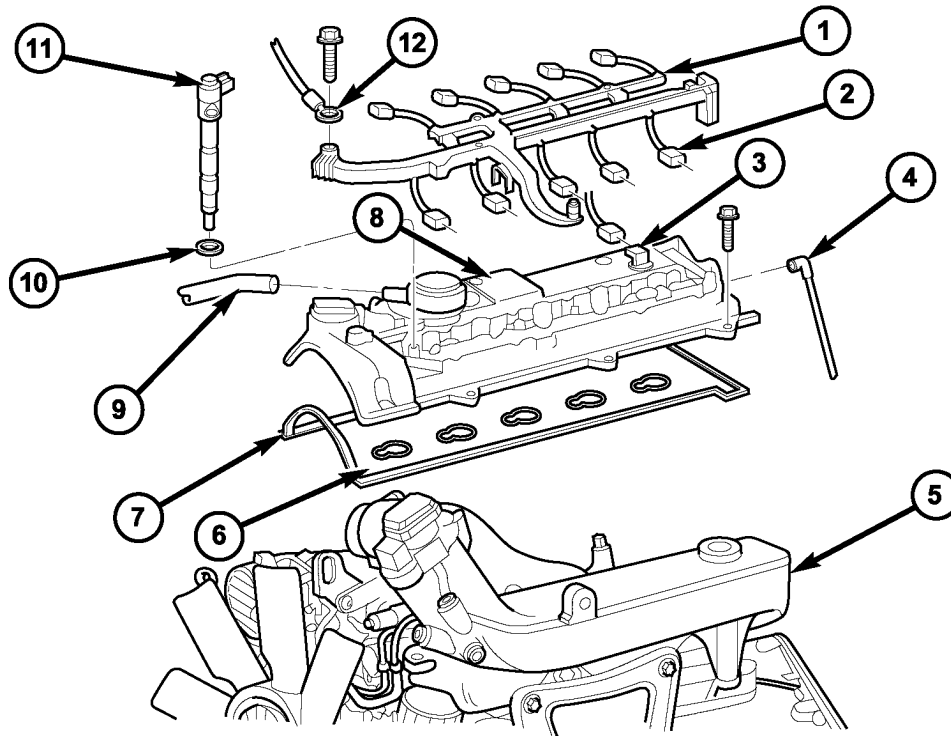
(17) Start engine and inspect for leaks. Care must be taken to observe the fuel system warning (Refer to 14 - FUEL SYSTEM - WARNING).

(18) Install engine cover (Refer to 9 - ENGINE COVER - INSTALLATION).

CYLINDER HEAD COVER(S)

REMOVAL

- (1) Disconnect negative battery cable.
- (2) Disconnect the air inlet and set aside.
- (3) Detach hose from oil separator.
- (4) Disconnect the camshaft position sensor.
- (5) Disconnect fuel injector and glow plug harness and set aside.
- (6) Remove fuel high pressure pipes and injectors (Refer to 14 - FUEL SYSTEM/FUEL INJECTION/FUEL INJECTOR - REMOVAL).
- (7) Disconnect the out let line.
- (8) Remove cylinder head cover retaining bolts and remove cover (Fig. 25).



8133a0af

Fig. 25 CYLINDER HEAD COVER

1 - ENGINE WIRING HARNESS
 2 - GLOW PLUG CONNECTOR
 3 - CAMSHAFT POSITION SENSOR
 4 - OUTLET LINE
 5 - INTAKE MANIFOLD
 6 - GASKET

7 - GASKET
 8 - CYLINDER HEAD COVER
 9 - CRANKCASE VENT LINE
 10 - GASKET
 11 - FUEL INJECTOR
 12 - GROUND

INSTALLATION

NOTE: Do Not tighten the cylinder head cover first. The fuel injectors are aligned by way of the cylinder head cover.

(1) Fit cylinder head cover with new gasket and install bolts, hand tight (Fig. 25).

(2) Insert all fuel injectors, tensioning claws and lines. Insert new bolts and tighten. (Refer to 14 - FUEL SYSTEM/FUEL INJECTION/FUEL INJECTOR - INSTALLATION).

(3) Tighten cylinder head cover bolts to 9 N·m (80 lbs. in.).

(4) Install and properly route fuel injector and glow plug wiring harness, making appropriate connections.

(5) Connect the camshaft position sensor.

(6) Connect the return flow line.

(7) Attach oil separator hose.

(8) Connect negative battery cable.

WARNING: USE EXTREME CAUTION WHEN ENGINE IS OPERATING. DO NOT STAND IN A DIRECT LINE WITH FAN. DO NOT PUT YOUR HANDS NEAR PULLEYS, BELTS OR FAN. DO NOT WEAR LOOSE CLOTHES.

(9) Start engine and inspect for leaks. Care must be taken to observe the fuel system warning (Refer to 14 - FUEL SYSTEM - WARNING).

VALVE STEM SEALS

DESCRIPTION

The valve stem seals are made of Viton rubber. The seals are positioned over the valve stem and seated on the valve guide. For servicing of the valve seals (Refer to 9 - ENGINE/CYLINDER HEAD/VALVE SPRINGS - REMOVAL).

WARNING: (Refer to 14 - FUEL SYSTEM - WARNING).

VALVE SPRINGS

REMOVAL

REMOVAL - VALVE SPRINGS

- (1) Disconnect negative battery cable.
- (2) Remove injectors (Refer to 14 - FUEL SYSTEM/FUEL INJECTION/FUEL INJECTOR - REMOVAL).
- (3) Remove cylinder head cover (Refer to 9 - ENGINE/CYLINDER HEAD/CYLINDER HEAD COVER(S) - REMOVAL).
- (4) Remove timing chain tensioner (Refer to 9 - ENGINE/VALVE TIMING/TIMING BELT/CHAIN AND SPROCKETS - REMOVAL).
- (5) Remove front cover at cylinder head (Refer to 9 - ENGINE/CYLINDER HEAD - REMOVAL).
- (6) Remove top guide rail (Refer to 9 - ENGINE/CYLINDER HEAD - REMOVAL).
- (7) Remove camshafts (Refer to 9 - ENGINE/CYLINDER HEAD/CAMSHAFT(S) - REMOVAL).

NOTE: The timing chain must be held in up position so as not to jam during procedure.

- (8) Position piston of cylinder to be processed to DTC by rotating the crankshaft clockwise. **DO NOT crank engine. DO NOT rotate engine backward.**

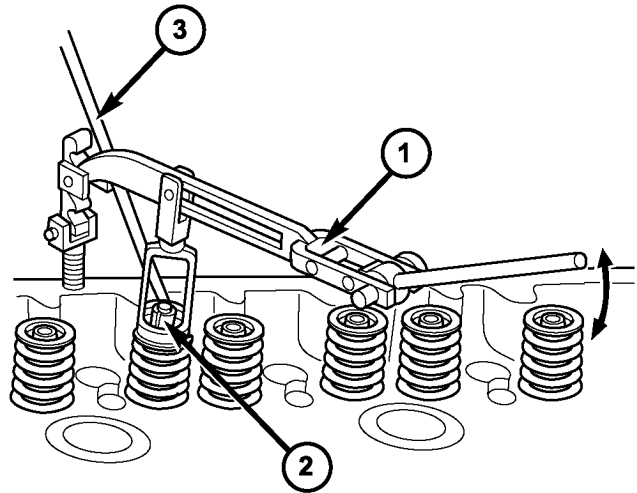
CAUTION: Make sure the crankshaft lock is in position and properly secured for each cylinder being serviced. Failure to do so may result in damage to the vehicle or personal injury.

- (9) Install crankshaft lock, special tool #8932.
- (10) Seal injector hole with adaptor # 9534 and retain with original tensioning claw.
- (11) Connect regulated air supply to special tool # 9534 and pressurize the cylinder to 5 bar (73 psi.).

WARNING: Valve springs and retainers must be kept in order of the cylinder they were removed.

NOTE: Using valve service tools #9307, screw retaining fork into threaded edge of cylinder head and position thrust piece vertically at top of each exhaust valve spring retainer. Use the cam bearing cap threaded holes to position service tool for removal of intake valve spring retainers.

- (12) Compress valve spring (Fig. 26).

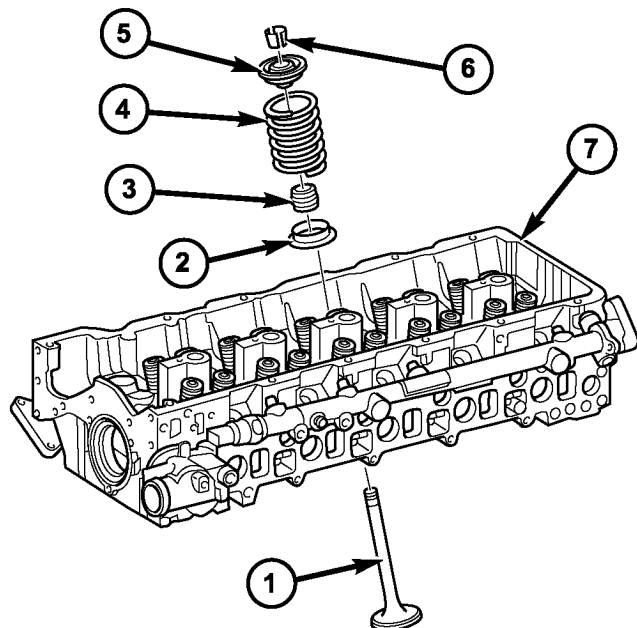


81153b91

Fig. 26 VALVE COMPRESSOR

- 1 - VALVE ASSEMBLY TOOL
- 2 - VALVE COLLATE
- 3 - MAGNET

- (13) Remove valve collates (Fig. 26).
- (14) Remove top valve spring retainer and valve spring (Fig. 27).

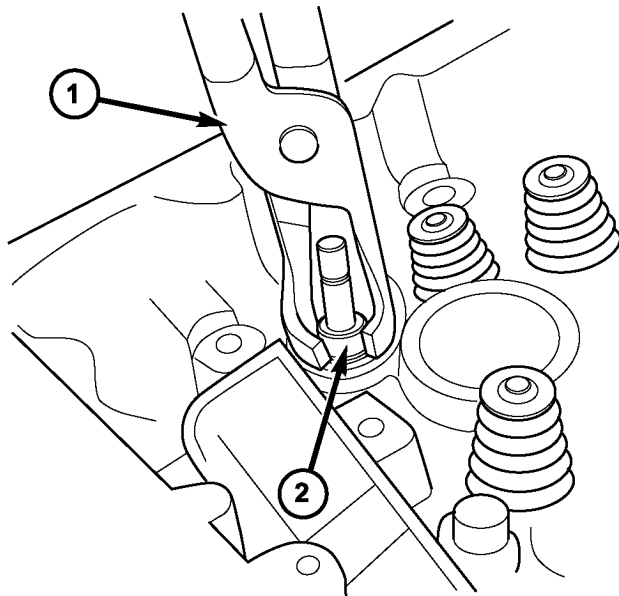


81153b8f

Fig. 27 VALVE ASSEMBLY

- 1 - VALVE
- 2 - BOTTOM VALVE SPRING RETAINER
- 3 - VALVE STEM SEAL
- 4 - VALVE SPRING
- 5 - TOP VALVE SPRING RETAINER
- 6 - VALVE COLLATES
- 7 - CYLINDER HEAD

- (15) Remove valve stem seals (Fig. 28).



81153b8d

Fig. 28 VALVE STEM SEAL

- 1 - PLIERS
2 - VALVE STEM SEAL

- (16) Remove bottom valve spring retainer (Fig. 27).

NOTE: Inspect all cylinder head components for wear or damage.

- (17) Repeat procedure for each cylinder as necessary.

REMOVAL - VALVES

- (1) Disconnect negative battery cable.
- (2) Remove engine cover (Refer to 9 - ENGINE COVER - REMOVAL).
- (3) Remove cylinder head (Refer to 9 - ENGINE/CYLINDER HEAD - REMOVAL).

WARNING: Suitably mark the valve and the position in the cylinder head before removal. Failure to do so will result in improperly seated valves and possible engine damage after reassembly.

NOTE: Using tool, screw retaining fork into threaded edge of cylinder head and position thrust piece vertically at top of valve spring retainer.

- (4) Using a suitable valve spring compressor, compress valve spring.
- (5) Remove valve collets (Fig. 27).
- (6) Remove top valve spring retainer and valve spring (Fig. 27).
- (7) Remove valve stem seals (Fig. 28).

- (8) Repeat steps 5 through 9 for each valve as necessary.

- (9) Remove cylinder head from assembly board.

WARNING: Valves, springs and retainers must be kept in order of the cylinder they were removed.

- (10) Remove valves.

INSTALLATION

INSTALLATION - VALVE SPRINGS

NOTE: Inspect all valve springs and retainers for wear or damage. Replace as necessary. Do Not reuse gaskets.

- (1) Position piston of cylinder to be processed to TDC by rotating the crankshaft clockwise. **DO NOT crank engine or rotate engine counter clockwise.**

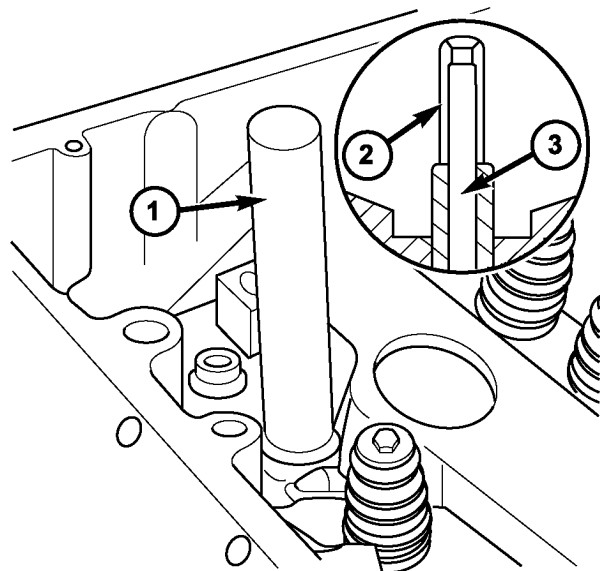
- (2) Install crankshaft lock, special tool #8932.

- (3) Seal injector hole with adaptor # 9534 and retain with original tensioning claw.

- (4) Connect regulated air supply to special tool # 9534 and pressurize the cylinder to 5 bar (73 psi.).

- (5) Install lower valve spring retainer (Fig. 27).

- (6) Install valve stem seal (Fig. 29).



81153be1

Fig. 29 VALVE SEAL INSTALLATION

- 1 - DRIFT
2 - PROTECTIVE COVER
3 - VALVE

- (7) Install valve spring (Fig. 27).

- (8) Install valve spring retainer (Fig. 27).

NOTE: Using valve service tools #9307, screw retaining fork into threaded edge of cylinder head and position thrust piece vertically at the top of each exhaust valve spring retainer. Use the cam bearing cap threaded holes to position service tool for installation of intake valve spring retainers.

NOTE: Ensure that the valve keepers are seated properly.

(9) Compress valve and install valve collates (Fig. 26).

CAUTION: Make sure the crankshaft lock is in position and properly secured for each cylinder being serviced. Failure to do so may result in damage to the vehicle or personal injury.

(10) Repeat procedure for each cylinder as necessary.

(11) Remove special tooling from cylinder head.

(12) Position piston of #1 cylinder to ignition TDC.

(13) Install camshafts and check basic position (Refer to 9 - ENGINE/CYLINDER HEAD/CAM-SHAFT(S) - INSTALLATION).

(14) Install top guide rail (Refer to 9 - ENGINE/CYLINDER HEAD - INSTALLATION).

(15) Install front cover at cylinder head (Refer to 9 - ENGINE/CYLINDER HEAD - INSTALLATION).

(16) Install timing chain tensioner with new gasket (Refer to 9 - ENGINE/VALVE TIMING/TIMING BELT/CHAIN AND SPROCKETS - INSTALLATION)

(17) Install cylinder head cover (Refer to 9 - ENGINE/CYLINDER HEAD/CYLINDER HEAD COVER(S) - INSTALLATION).

WARNING: (Refer to 14 - FUEL SYSTEM - WARNING).

(18) Install injectors (Refer to 14 - FUEL SYSTEM/FUEL INJECTION/FUEL INJECTOR - INSTALLATION).

(19) Reconnect negative battery cable.

(20) Start the engine, allow to warm, turn engine off and inspect for leaks. Care must be taken to observe the fuel system warning (Refer to 14 - FUEL SYSTEM - WARNING)

(21) Install engine cover (Refer to 9 - ENGINE COVER - INSTALLATION).

INSTALLATION - VALVES

WARNING: Valves must be kept in their original positions in cylinder head. Failure to do so will result in engine damage.

NOTE: Inspect all valves, springs and retainers for wear or damage. Replace as necessary.

(1) Install valves in their original position in the cylinder head.

(2) Install lower valve spring retainer.

(3) Install valve stem seal.

(4) Install valve spring.

(5) Install valve spring retainer.

NOTE: Using tool, screw retaining fork into threaded edge of cylinder head and position thrust piece vertically at the top of each valve spring retainer.

NOTE: Ensure that the valve keepers are seated properly.

(6) Using a suitable valve spring compressor, compress valve spring and install valve keepers.

(7) Repeat steps 3 through 7 for each valve as necessary.

(8) Remove valve assembly from cylinder head.

(9) Install cylinder head on engine block (Refer to 9 - ENGINE/CYLINDER HEAD - INSTALLATION).

(10) Install glow plugs (Refer to 8 - ELECTRICAL/IGNITION CONTROL/GLOW PLUG - INSTALLATION).

(11) Connect negative battery cable.

WARNING: US EXTREME CAUTION WHEN THE ENGINE IS IN OPERATION. DO NOT STAND IN A DIRECT LINE WITH THE FAN. DO NOT PUT YOUR HANDS NEAR THE PULLEYS, BELTS OR FAN. DO NOT WEAR LOOSE CLOTHING.

(12) Start engine and check for leaks. Care must be taken to observe the fuel system warning (Refer to 14 - FUEL SYSTEM - WARNING)

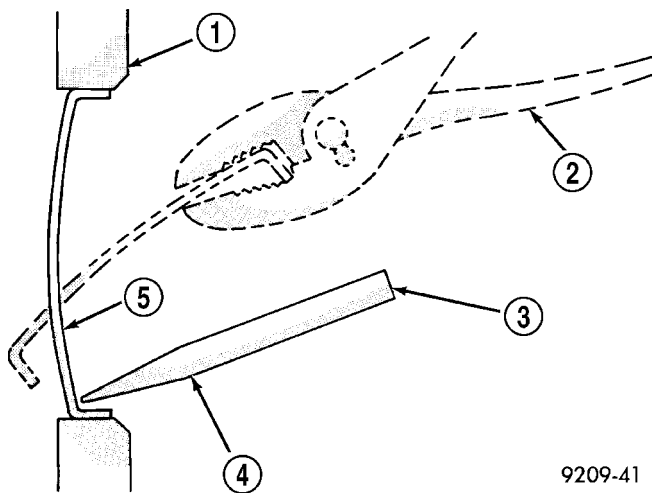
(13) Install engine cover (Refer to 9 - ENGINE COVER - INSTALLATION).

ENGINE BLOCK

STANDARD PROCEDURE

STANDARD PROCEDURE - REPLACING ENGINE CORE AND OIL GALLERY PLUGS

Using a blunt tool such as a drift and a hammer, strike the bottom edge of the cup plug. With the cup plug rotated, grasp firmly with pliers or other suitable tool and remove plug (Fig. 30).



9209-41

Fig. 30 CORE HOLE PLUG REMOVAL

- 1 - CYLINDER BLOCK
- 2 - REMOVE PLUG WITH PLIERS
- 3 - STRIKE HERE WITH HAMMER
- 4 - DRIFT PUNCH
- 5 - CUP PLUG

CAUTION: Do not drive cup plug into the casting as restricted cooling can result and cause serious engine problems.

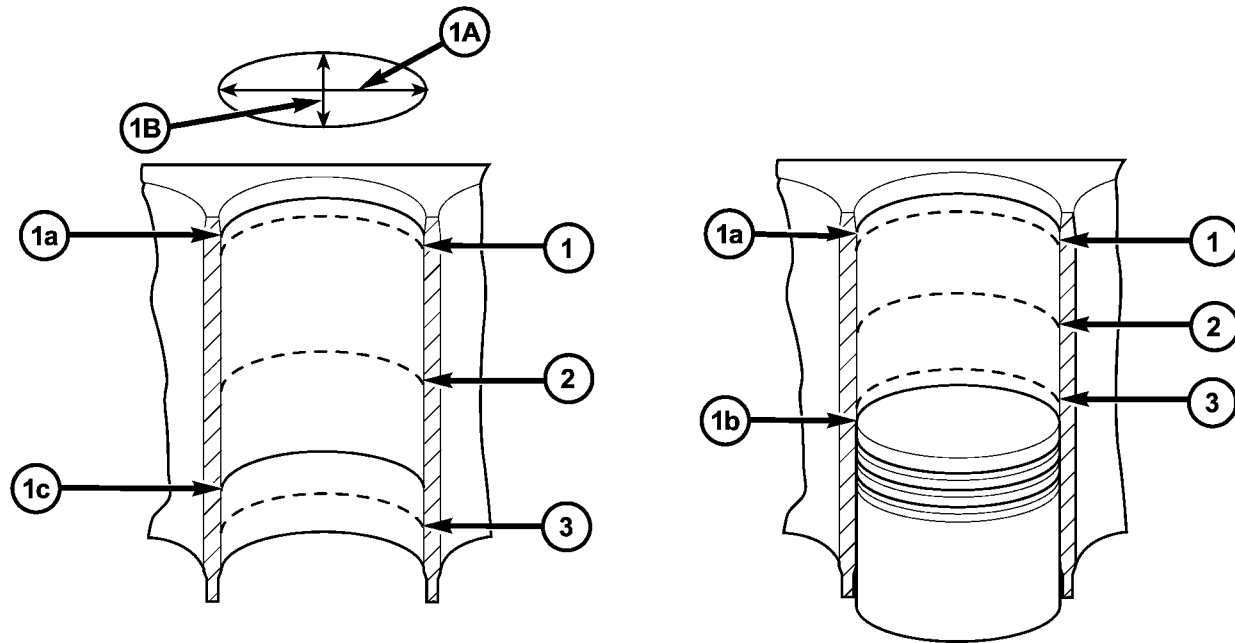
Thoroughly clean inside of cup plug hole in cylinder block or head. Be sure to remove old sealer. Lightly coat inside of cup plug hole with Mopar® Stud and Bearing Mount. Make certain the new plug is cleaned of all oil or grease. Using proper drive plug, drive plug into hole so that the sharp edge of the plug is at least 0.5 mm (0.020 in.) inside the lead-in chamfer.

It is not necessary to wait for curing of the sealant. The cooling system can be refilled and the vehicle placed in service immediately.

STANDARD PROCEDURE - MEASURING CYLINDER BORES

NOTE: This must be done with engine completely disassembled.

- (1) Thoroughly clean all cylinder bores with appropriate cleaning solvent.
- (2) Measure each cylinder at the three measuring points shown (Fig. 31).
- (3) Using the three measurement point, measure cylinder in the longitudinal and in the transverse direction (Fig. 31).



80dc0c6d

Fig. 31 MEASURING CYLINDER BORES

- 1 - MEASURING POINT OF CYLINDER BORE
 2 - MEASURING POINT OF CYLINDER BORE
 3 - MEASURING POINT OF CYLINDER BORE
 1a - UPPER REVERSAL POINT OF #1 PISTON RING
 1b - BOTTOM DEAD CENTER OF PISTON
 1c - BOTTOM REVERSAL POINT OF OIL SCRAPER RING
 1A - LONGITUDINAL DIRECTION
 1B - TRANSVERSE PDIRECTION

(4) Use the measurement and table below to group cylinder bores:

Standard size	88.0 mm
Group code letter A	88.000-88.006 mm
Group code letter X	88.006-88.012 mm
Group code letter B	88.012-88.018 mm
Wear limit in longitudinal in transverse direction	0.020 mm
Permissible variation of cylinder shape (when new)	0.000-0.014 mm

CRANKSHAFT

DESCRIPTION

The engine features a forged crankshaft supported by six bearings. The bearing caps are machined together with the crankshaft and must not be interchanged. The bearing surfaces are induction hardened. The connecting rods and main bearing journals are filleted. An optional vibration damper with a sec-

ond pulley is used to drive an additional A/C compressor.

STANDARD PROCEDURE - MEASURE CRANKSHAFT AND BLOCK JOURNALS

NOTE: After any bearing damage occurred, remove all debris which is present in the main oil gallery, connecting rod bores, and in the crankshaft and oil galleries. Include removal of the inserting steel ball of the main oil gallery before cleaning.

(1) Remove crankshaft (Refer to 9 - ENGINE/ENGINE BLOCK/CRANKSHAFT - REMOVAL).

(2) Clean all engine parts thoroughly.

CAUTION: After bearing has damage has occurred, replace connecting rods which have suffered overheating because of bearing damage. The connecting rod must not have any cross scores and notches.

(3) Inspect connecting rod. If damage is present, inspect crankshaft, replace as necessary.

(4) Inspect crankcase.

- (5) Inspect standard size of crankshaft bearing shells.
- (6) Inspect crankshaft bearing cap.
- (7) Mount crankshaft radially.
- (8) Inspect crankshaft bearing play.

NOTE: Radial mounting of the main bearings of standard size crankshaft is possible by assigning the color-coded bearing shells.

ASSIGN CRANKSHAFT BEARING SHELLS

The oil pan rail of the cylinder block is marked with chisel punches indicating what bearing shell are used.

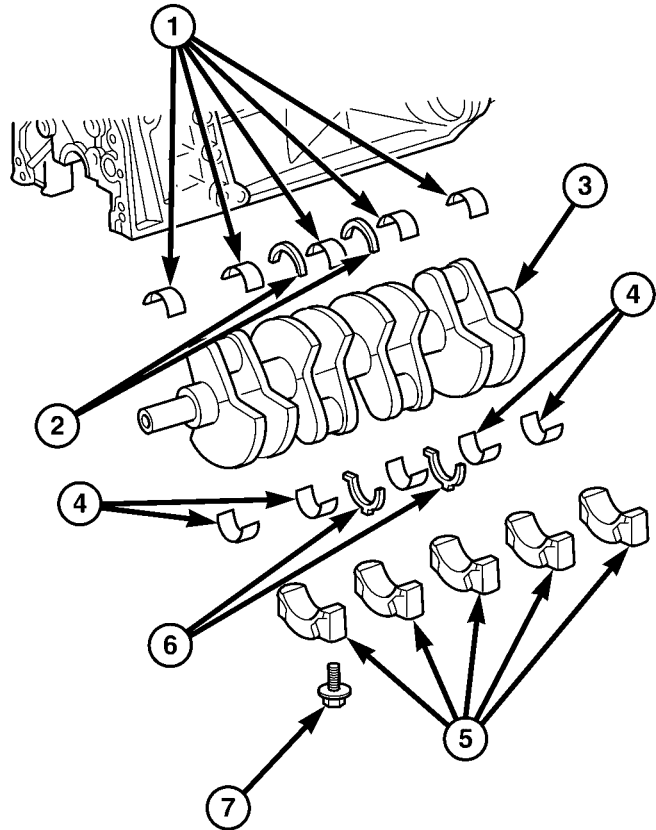
- (9) Assign crankshaft bearing shells.
- (10) Mount crankshaft axially.
- (11) Inspect crankshaft bearing play.

REMOVAL

- (1) Remove engine (Refer to 9 - ENGINE - REMOVAL).
- (2) Remove timing case cover (Refer to 9 - ENGINE/VALVE TIMING/TIMING BELT / CHAIN COVER(S) - REMOVAL)
- (3) Remove end cover. (Refer to 9 - ENGINE/ENGINE BLOCK/CRANKSHAFT OIL SEAL - REAR - REMOVAL).
- (4) Remove pistons (Refer to 9 - ENGINE/ENGINE BLOCK/PISTON & CONNECTING ROD - REMOVAL).

CAUTION: The crankshaft bearing caps are numbered consecutively, beginning with the first crankshaft bearing cap at the front of the engine. Attention must be paid to the way crankshaft bearing caps fit.

- (5) Unbolt crankshaft bearing caps (Fig. 32).



80dcc207

Fig. 32 CRANKSHAFT ASSEMBLY

- 1 - BEARING HALVES IN ENGINE BLOCK
- 2 - THRUST WASHERS IN ENGINE BLOCK
- 3 - CRANKSHAFT
- 4 - BEARING HALVES IN MAIN BEARING CAPS
- 5 - MAIN BEARING CAPS
- 6 - THRUST WASHERS IN MAIN BEARING CAPS
- 7 - MAIN BEARING BOLTS

- (6) Inspect crankshaft bearing caps and bolts for wear and stretching.
- (7) Remove crankshaft.

INSTALLATION

CAUTION: Oil the bearing shells before inserting crankshaft.

CAUTION: Oil grooves in the thrust washers must point toward the thrust collars of the crankshaft.

CAUTION: Thrust washers in the bearing cap each have two retaining lugs as a anti-twist lock.

CAUTION: Oil thread and head contact surfaces of bolts that retain the crankshaft bearing caps; tighten bolts from inside to outside, beginning at the fit bearing. Rotate crankshaft to check clearance.

- (1) Install crankshaft.

CAUTION: The crankshaft bearing caps are numbered consecutively, beginning with the first crankshaft bearing cap at the front of the engine. Attention must be paid to the way the crankshaft bearing caps fit. If correctly installed, the lug, or raised boss, on the crankshaft bearing cap is pointing to the left when viewed in the direction of travel (intake side).

- (2) Install the crankshaft bearing caps. Tighten bolts in two stages. 55N·m (40.5 lbs. ft.), then 90°.

- (3) Install the pistons (Refer to 9 - ENGINE/ENGINE BLOCK/PISTON & CONNECTING ROD - INSTALLATION).

- (4) Install the end cover (Refer to 9 - ENGINE/ENGINE BLOCK/CRANKSHAFT OIL SEAL - REAR - INSTALLATION).

- (5) Install the timing case cover (Refer to 9 - ENGINE/VALVE TIMING/TIMING BELT / CHAIN COVER(S) - INSTALLATION).

- (6) Install the engine (Refer to 9 - ENGINE - INSTALLATION).

- (7) Fill the crankcase with the correct engine oil, to the proper level. Refer to the owners manual for specifications.

- (8) Fill the cooling system with the proper coolant, to the proper level (Refer to 7 - COOLING/ENGINE/COOLANT - STANDARD PROCEDURE).

- (9) Connect the negative battery cable.

WARNING: USE EXTREME CAUTION WHEN THE ENGINE IS OPERATING. DO NOT STAND IN A DIRECT LINE WITH THE FAN. DO NOT PUT YOUR HANDS NEAR THE PULLEYS, BELTS, OR FAN. DO NOT WEAR LOOSE CLOTHES.

- (10) Start engine and inspect for leaks. Care must be taken to observe the fuel system warning (Refer to 14 - FUEL SYSTEM - WARNING).

NOTE: Loosen all of the oil pan bolts to assure that the oil pan gasket is not damaged when removing the rear main oil seal and end cover assembly.

NOTE: Inspect the oil pan gasket for damage. If the oil pan gasket is damaged, remove the oil pan and replace the oil pan gasket.

- (4) Loosen the oil pan bolts.
- (5) Remove the flywheel.

CAUTION: Care must be taken when removing the rear main seal and adaptor assembly. Failure to do so will result in damage to the oil pan gasket.

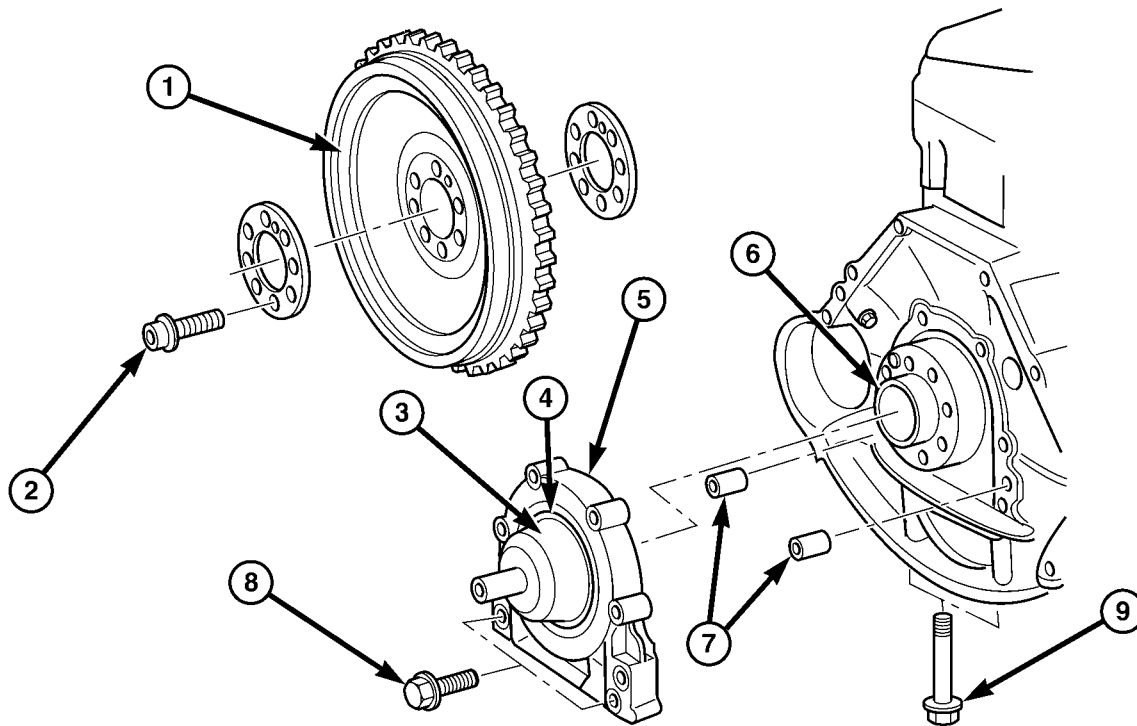
- (6) Remove the rear main seal/adaptor retaining bolts and carefully pry the adaptor from the crankcase at the adaptor shoulders (Fig. 33).

CRANKSHAFT OIL SEAL - REAR

REMOVAL

This must be done with the transmission removed from the vehicle.

- (1) Disconnect the negative battery cable.
- (2) Raise and support the vehicle.
- (3) Drain the engine oil.



80dc2b74

Fig. 33 REAR MAIN SEAL/ADAPTER

- 1 - FLYWHEEL
- 2 - FLYWHEEL BOLTS
- 3 - SPECIAL TOOL 8944
- 4 - REAR CRANKSHAFT OIL SEAL
- 5 - REAR CRANKSHAFT SEAL ADAPTER
- 6 - CRANKSHAFT
- 7 - ALIGNMENT DOWELS
- 8 - REAR CRANKSHAFT SEAL ADAPTER RETAINING BOLT
- 9 - OIL PAN TO REAR CRANKSHAFT SEAL ADAPTER RETAINING BOLT

INSTALLATION

NOTE: Thoroughly clean all mating surfaces with the appropriate solvents to assure that no grease or oil is present during reassembly.

NOTE: Carefully position the rear main seal/adaptor evenly onto the assembly sleeve. The rear main oil seal lip **MUST NOT** roll over the edge of the tool.

(1) Position the rear main oil seal/adaptor with assembly sleeve onto the crankshaft so that the dowel sleeves fit into the guide holes (Fig. 33). Care must be taken so that the oil pan gasket is not damaged.

(2) Install the rear main seal/adaptor to crankcase bolts and tighten to 9-Nm (80 lbs.in) (Fig. 33).

(3) Tighten the M6 oil pan bolts to 9N·m (80 lbs in) and the M8 bolts to 20 N·m (15 lbs ft).

(4) Install the fly wheel and tighten bolts in two stages (Fig. 33). 45N·m (33 lbs. ft.) then 90°.

(5) Install the oil pan drain plug and tighten to 25N·m (18 lbs ft).

(6) Lower the vehicle.

(7) Fill the crankcase with the correct engine oil, to the proper level. Refer to owners manual for specifications.

(8) Connect the negative battery cable.

WARNING: USE EXTREME CAUTION WHEN THE ENGINE IS OPERATING. DO NOT PUT YOUR HANDS NEAR THE PULLEYS, BELTS OR FAN. DO NOT WEAR LOOSE CLOTHES.

(9) Start the engine and inspect for leaks.

CRANKSHAFT OIL SEAL - FRONT

REMOVAL

- (1) Disconnect the negative battery cable.
- (2) Remove the accessory drive belt.

(3) Install the retaining lock for the crankshaft/ring gear.

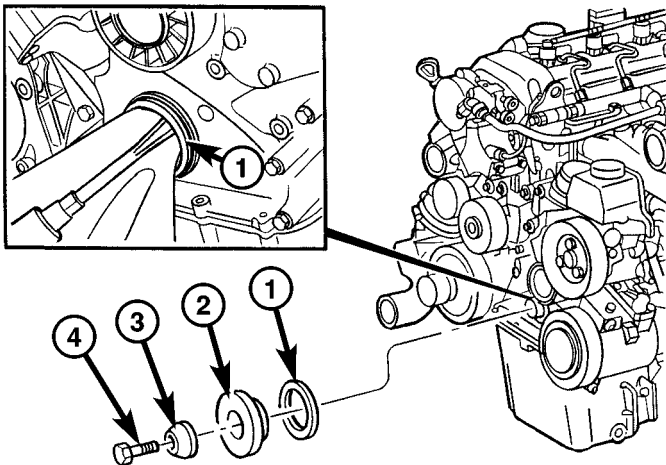
NOTE: If the hub of the belt pulley/vibration damper is tight, use a puller to remove it. Do Not tilt the puller. The groves of the puller MUST mesh fully into the slots of the belt pulley.

NOTE: Inspect the running surface of the belt pulley for wear.

(4) Remove the belt pulley/vibration damper.

CAUTION: Care must be taken to prevent severe damage to the crankshaft and mounting whole for the front crankshaft seal.

(5) Using a suitable prying tool, remove the front crankshaft seal from the timing cover (Fig. 34).



80e20aea

Fig. 34 FRONT SEAL REMOVAL/INSTALLATION

- 1 - FRONT CRANKSHAFT OIL SEAL
- 2 - SEAL INSTALLER SPECIAL TOOL #8936
- 3 - WASHER
- 4 - RETAINING BOLT

INSTALLATION

NOTE: Thoroughly clean all mating surfaces with the appropriate solvents to assure that no grease or oil is present during reassembly.

NOTE: Carefully position the front crankshaft seal evenly onto the timing cover.

- (1) Install the front crankshaft seal.
- (2) Install the belt pulley/vibration damper (Refer to 9 - ENGINE/ENGINE BLOCK/VIBRATION DAMPER - INSTALLATION).
- (3) Remove the retaining lock for the crankshaft/ring gear.
- (4) Install the accessory drive belt (Refer to 7 - COOLING/ACCESSORY DRIVE/DRIVE BELTS - INSTALLATION).
- (5) Reconnect the negative battery cable.
- (6) Fill the crankcase with the correct engine oil to the proper level.

WARNING: USE EXTREME CAUTION WHEN THE ENGINE IS OPERATING. DO NOT STAND IN A DIRECT LINE WITH THE FAN. DO NOT PUT YOUR HANDS NEAR THE PULLEYS, BELTS OR FAN. DO NOT WEAR LOOSE CLOTHES.

(7) Start the engine and inspect for leaks.

FLYWHEEL

REMOVAL

(1) Remove transmission (Refer to 21 - TRANSMISSION/TRANSAXLE/AUTOMATIC - W5J400 - REMOVAL).

NOTE: M6x90 bolts must be used with retaining lock to prevent damage to rear end cover.

(2) Install retaining lock for crankshaft/starter ring gear.

NOTE: Flywheel does not need balancing or should it be interchanged.

(3) Remove flywheel with inner washer (Fig. 35).

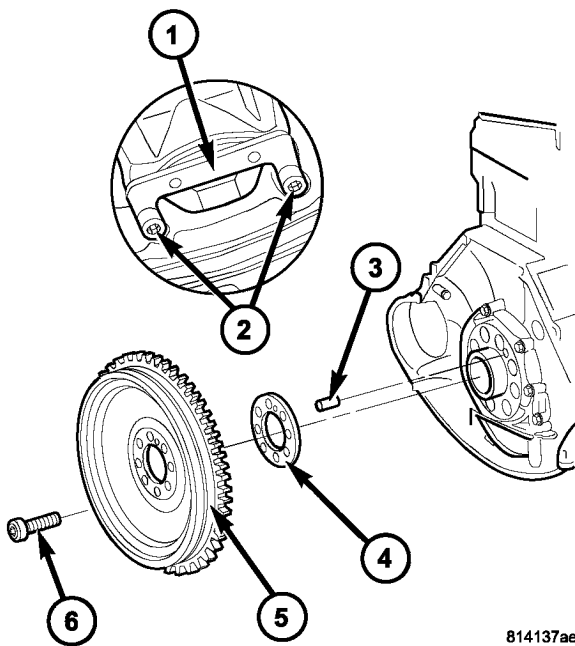


Fig. 35 FLYWHEEL ASSEMBLY

- 1 - SPECIAL TOOL #8932 CRANKSHAFT LOCK
- 2 - RETAINING BOLTS
- 3 - ALIGNMENT PIN
- 4 - WASHER
- 5 - FLYWHEEL
- 6 - FLYWHEEL BOLT

- (3) Remove inspection cover (Fig. 36).
- (4) Remove the bolts (Fig. 36).
- (5) Insert the crankshaft lock #8932 into the starter ring gear and install the retaining bolts. Tighten the lock bolts to 9 N·m (80 lbs. in.) (Fig. 36).

INSTALLATION

INSTALLATION

NOTE: A flex rod torque wrench must not be used in order to avoid angle errors when tightening to degrees.

(1) Align flywheel and inner and outer washers with straight pin. Tighten bolts in two stages. 45N·m (33 lbs. ft.) then 90° (Fig. 35).

(2) Remove the retaining lock from the crankshaft/ starter ring gear.

(3) Install transmission (Refer to 21 - TRANSMISSION/TRANSAXLE/AUTOMATIC - W5J400 - INSTALLATION).

(4) Connect negative battery cable.

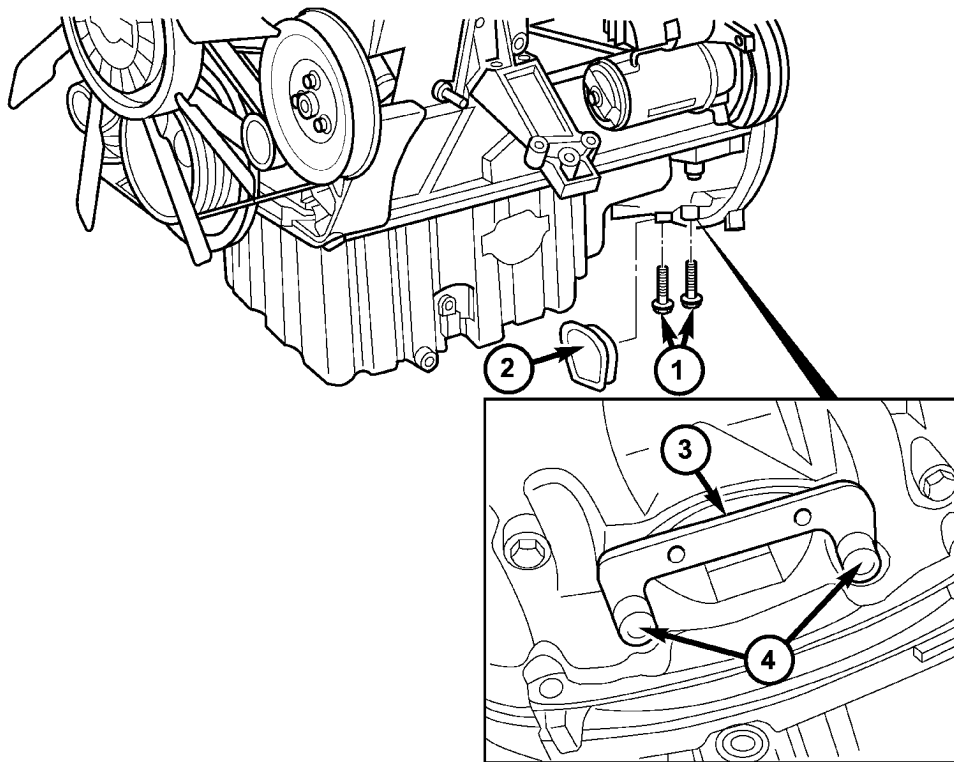
WARNING: USE EXTREME CAUTION WHEN THE ENGINE IS IN OPERATION. DO NOT STAND IN A DIRECT LINE WITH THE FAN. DO NOT PUT YOUR HANDS NEAR THE PULLEYS, BELTS OR FAN. DO NOT WEAR LOOSE CLOTHES.

(5) Start the vehicle.

INSTALLATION - CRANKSHAFT LOCK

(1) Raise and support the vehicle.

(2) Remove the generator wiring harness duct at the crankcase and set aside.



811552ba

Fig. 36 CRANKSHAFT LOCK #8932

1 - RETAINING BOLTS
2 - INSPECTION COVER

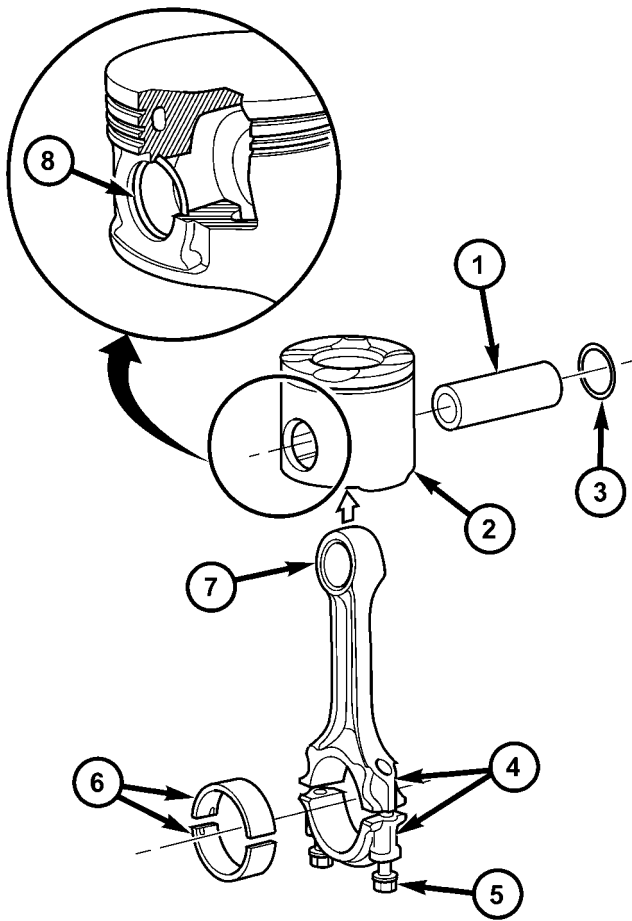
3 - CRANKSHAFT LOCK #8932
4 - RETAINING BOLTS

PISTON & CONNECTING ROD

DESCRIPTION

NOTE: No over sized pistons are available.

The pistons are of a free floating design and made of optimized aluminum alloy with a graphite coated bearing surface. The crown of the piston has been designed to accommodate higher injection pressures. Oil jets in the engine block lubricate and cool the piston and pin assembly. The connecting rods have a pressed in place wrist pin bushing featuring specially adjusted lubrication grooves which are lubricated by the oil jets (Fig. 37). The steel connecting rods feature a small end of trapezoidal shape and a cracked large end.



80c6c8fe

Fig. 37 PISTON AND CONNECTING ROD ASSEMBLY

- 1 - PISTON PIN
- 2 - PISTON
- 3 - SNAP RING
- 4 - CONNECTING ROD ALIGNMENT NUMBERS
- 5 - CONNECTING ROD BOLT
- 6 - CONNECTING ROD BEARING
- 7 - CONNECTING ROD
- 8 - SNAP RING

STANDARD PROCEDURE

STANDARD PROCEDURE - CHECKING AND REPAIRING CONNECTING RODS

NOTE: Connecting rods with blue discoloration, cross scores or notches must be replaced. Compensate for different weights by milling off the balancing weight.

(1) Inspect connecting rod for discoloring, cross scores and notches.

NOTE: Connecting rod and bearing cap are marked in sets and attached with two sleeves.

(2) Bolt connecting rod bearing cap to connecting rod. Tighten connecting rod bearing caps to initial

specification (Refer to 9 - ENGINE/ENGINE BLOCK/PISTON & CONNECTING ROD - INSTALLATION).

(3) Using a dial indicator, measure connecting rod bearing basic bore, repair as necessary (Fig. 38).

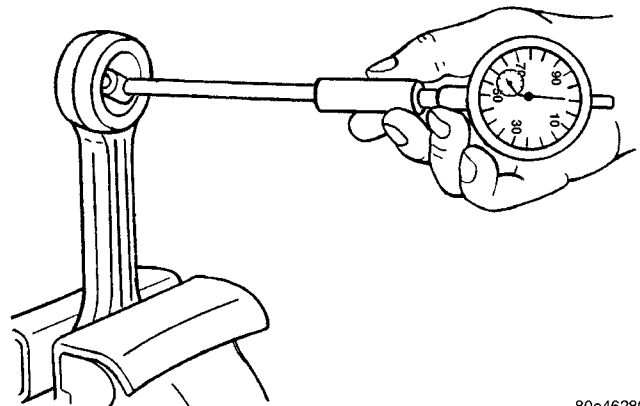
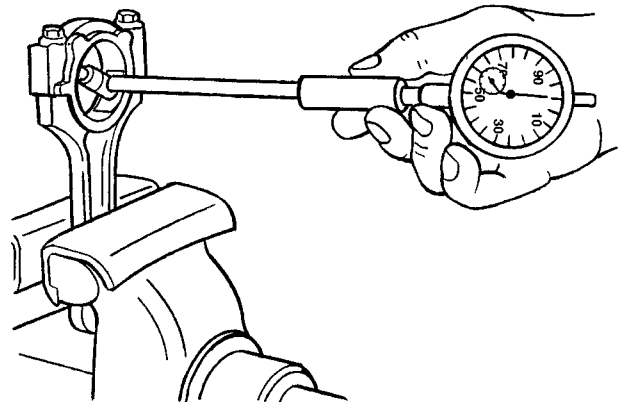
NOTE: If excessive wear is present, press in new connecting rod bushings.

(4) Measure connecting rod bushing inner diameter (Fig. 38).

(5) Inspect wristpin bushing.

(6) Measure piston pin end play in connecting rod bushing.

(7) Measure peak to valley height of connecting rod bushing on inside.



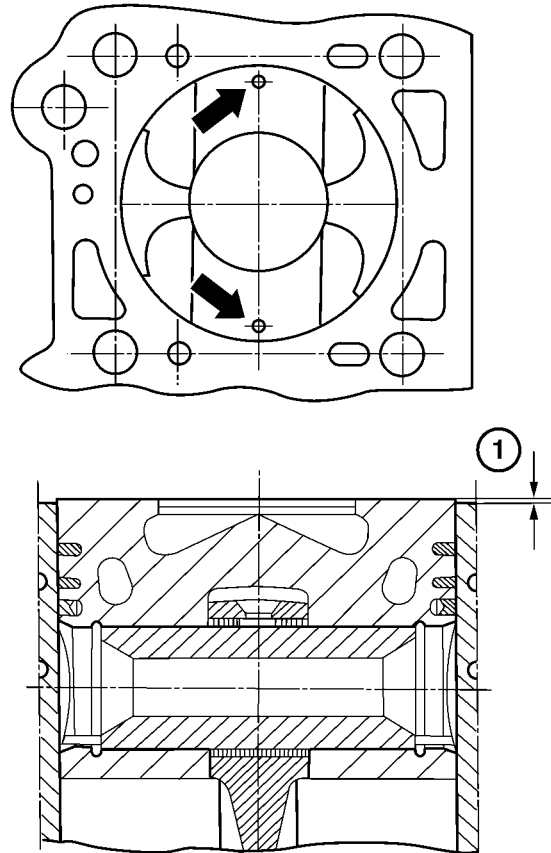
80e46280

Fig. 38 MEASURING CONNECTING RODS

CONNECTING ROD SPECIFICATIONS

Distance between middle connecting rod bore to connecting rod bushing bore	148.970 mm to 149.030 mm
Width of connecting rod bearing bore at connecting rod bushing bore	21.940 mm to 22 mm
Connecting rod bearing shell basic bore	51.600 mm to 51.614 mm

Distance between middle connecting rod bore to connecting rod bushing bore	148.970 mm to 149.030 mm
Allowable out-of-roundness and taper of basic bore	.020 mm
Allowable twist of connecting rod bearing bore to connecting rod bushing bore over a length of 100 mm	.100 mm
Allowable variation of axial parallelism of connecting rod bearing bore to connecting rod bushing bore over a length of 100 mm	.045 mm
Allowable difference in weight of complete connecting rod of an engine	2g
Connecting rod inner bushing	30.018 to 30.024 mm
Connecting rod outer bushing	32.575 mm to 32.600 mm
Connecting rod basic bore	32.500 mm to 32.525 mm
Piston pin play in connecting rod	.018 mm to .024 mm
Peak-to-Valley height (Rz) of connecting rod bushing on inside	5
Connecting rod bolt thread	M8 x 1



80e48202

Fig. 39 MEASURING PISTON PROTRUSION

1 - PISTON PROTRUSION MEASUREMENT

STANDARD PROCEDURE - MEASURING PISTON PROTRUSION

After replacing the pistons/connecting rods or machining the engine block contact surface, it is then necessary to measure the piston protrusion.

Measure protrusion between piston crown and cylinder head contact surface without the head gasket installed. The measurement must be carried out in the direction of the piston pin in order to eliminate piston rock.

(1) Measure piston protrusion at the two measuring points (arrows) (Fig. 39).

Piston protrusion with new crankcase should be 0.38 - 0.62 mm.

REMOVAL

- (1) Disconnect the negative battery cable.
- (2) Remove the engine (Refer to 9 - ENGINE - REMOVAL).
- (3) Remove the cylinder head (Refer to 9 - ENGINE/CYLINDER HEAD - REMOVAL).
- (4) Remove the oil pan (Refer to 9 - ENGINE/LUBRICATION/OIL PAN - REMOVAL).
- (5) Push back on the chain tensioner and remove the oil pump chain from the oil pump.
- (6) Remove the oil pump.

NOTE: Mark the connecting rod and connecting rod bearing cap to each other at the inlet side.

- (7) Remove the connecting rod bearing cap.

NOTE: Do Not mix up the top and bottom connecting rod bearing shells.

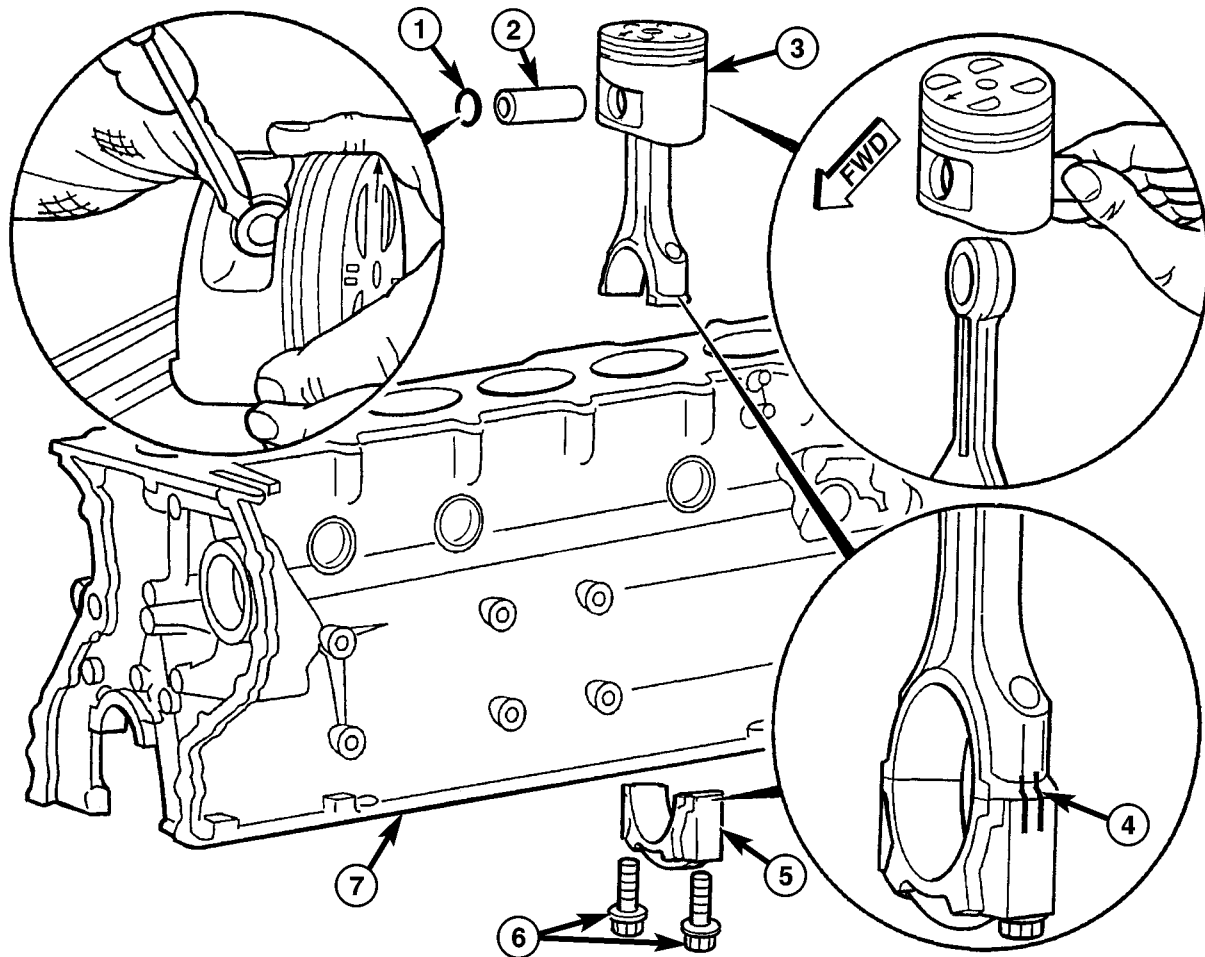
- (8) Mark the connecting rod bearing shell and the connecting rod bearing cap to each other.

NOTE: If the pistons are used, the direction of travel arrows and the marking of the pistons may no longer be visible because of carbon deposits. The carbon deposits on the pistons must be removed.

NOTE: If the arrows indicating the driving direction on the piston are no longer visible, they must be marked again.

(9) Remove the connecting rod together with the piston through the top of the engine.

NOTE: DO NOT mix up the top and bottom connecting rod bearing shells.



80dcd8db

Fig. 40 PISTON AND CONNECTING ROD ASSEMBLY

- 1 - PISTON PIN CIRCLIP
- 2 - PISTON PIN
- 3 - PISTON ASSEMBLY
- 4 - CONNECTING ROD AND CAP ALIGNMENT MARKS
- 5 - CONNECTING ROD CAP
- 6 - CONNECTING ROD BOLTS
- 7 - ENGINE BLOCK

(10) Mark the connecting rod bearing shell and connecting rod to each other.

CAUTION: Care must be taken not to damage the piston.

- (11) Remove the piston pin circle clip. (Fig. 40).
- (12) Press the piston pin out of the piston and connecting rod bushing. (Fig. 40).
- (13) Inspect the connecting rod for wear and damage.

INSTALLATION

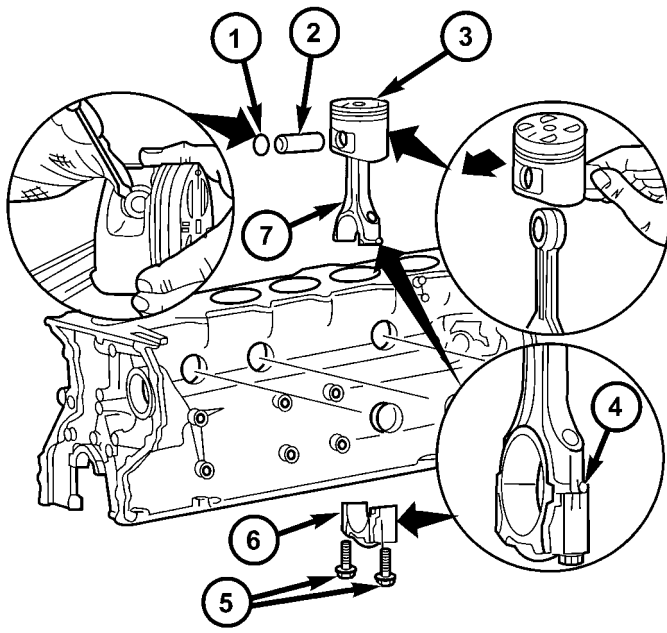
- (1) Assign piston to the cylinder bore.
- (2) Using the appropriate clean engine oil, oil piston pin and connecting rod bushing.

CAUTION: Assemble the piston and connecting rod so that the arrow is pointing in the direction of travel (in the opposite direction of power flow). The marking on the connecting rod is pointing toward the inlet side.

- (3) Assemble piston and connecting rod (Fig. 41).
- (4) Insert piston pin by hand (Fig. 41).

CAUTION: Care must be taken not to damage the piston.

- (5) Insert circle clip of piston pin into groove on piston (Fig. 41).



80e17e21

Fig. 41 PISTON AND CONNECTING ROD ASSEMBLY

- 1 - CIRCLE CLIP
- 2 - PISTON PIN
- 3 - PISTON ASSEMBLY
- 4 - CONNECTING ROD ALIGNMENT MARKINGS
- 5 - CONNECTING ROD BOLTS
- 6 - CONNECTING ROD CAP
- 7 - CONNECTING ROD

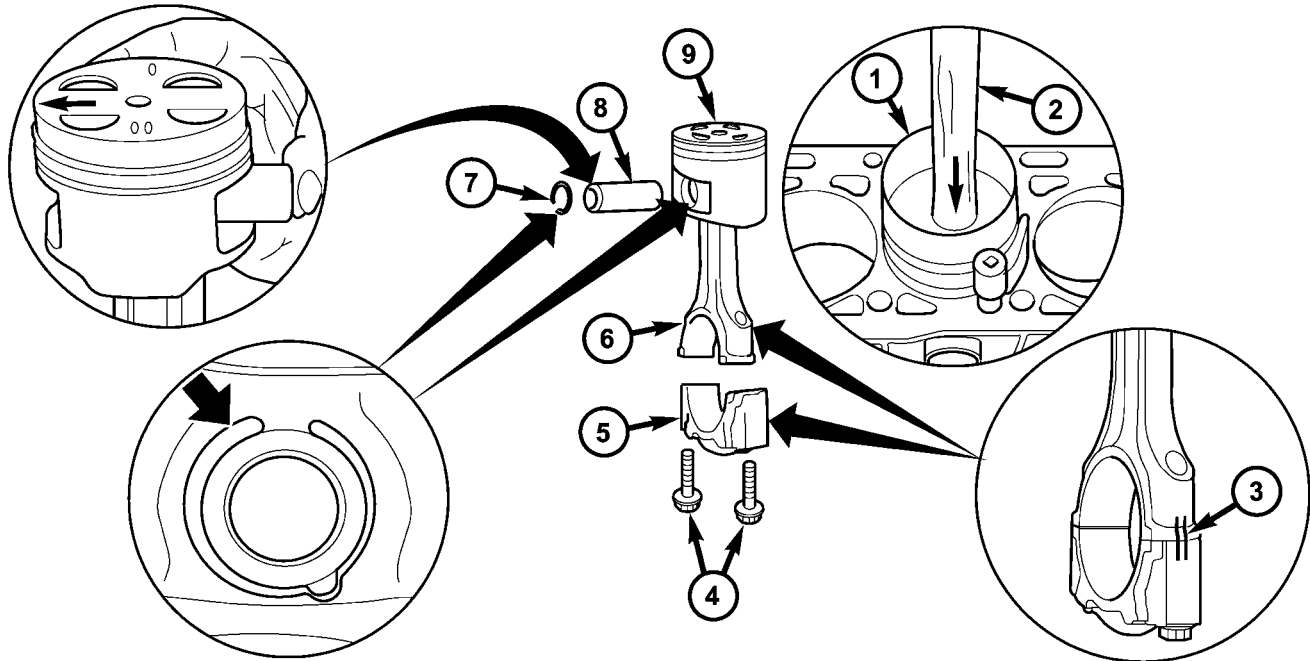
(6) Using the appropriate clean engine oil, clean the cylinder bores, connecting rod bearing journals, connecting rod bearing shells and pistons.

CAUTION: Offset the piston ring gaps by 120°.

(7) Position a ring compressor over piston and rings. Tighten ring compressor (Fig. 42). **Ensure that ring position does not change during this operation.**

CAUTION: Rotate the crankshaft sufficiently so that the connecting rod does not touch the connecting rod journal when the piston is pushed onto the cylinder bore.

(8) Install piston with arrow pointing in the direction of travel (in the opposite direction to power flow) (the marking on the connecting rod should be pointing toward the inlet side). (Fig. 42).



80e17e25

Fig. 42 PISTON AND CONNECTING ROD INSTALLATION

- 1 - PISTON RING COMPRESSOR
- 2 - WOOD HAMMER HANDLE
- 3 - CONNECTING ROD ALIGNMENT MARKINGS
- 4 - CONNECTING ROD BOLTS
- 5 - CONNECTING ROD CAP
- 6 - CONNECTING ROD
- 7 - CIRCLE CLIP
- 8 - PISTON PIN
- 9 - PISTON ASSEMBLY

(9) Clean and inspect the connecting rod bolts.

CAUTION: Assure that the correct top and bottom connecting rod bearings shells are used in accordance with the markings.

CAUTION: The anti-twist locks of the connecting rod bearing shells must be located in the slots of the connecting rod bearing caps.

(10) Insert connecting rod bearing shell into connecting rod bearing cap.

CAUTION: The markings on the connecting rod and connecting rod cap must be lined up.

(11) Install connecting rod bearing cap. Tighten bolts in 3 stages, 5N·m (44 lbs in), 25N·m (221 lbs in), 90°.

(12) Rotate crankshaft fully and check the clearance.

(13) Install oil pump (Refer to 9 - ENGINE/LUBRICATION/OIL PUMP - INSTALLATION).

(14) Install engine oil pan and oil pan drain plug (Refer to 9 - ENGINE/LUBRICATION/OIL PAN - INSTALLATION).

CAUTION: Install a cylinder head gasket of standard thickness or a cylinder head gasket of repair thickness depending on piston protrusion.

(15) Measure piston protrusion (Refer to 9 - ENGINE/ENGINE BLOCK - STANDARD PROCEDURE).

(16) Install cylinder head (Refer to 9 - ENGINE/CYLINDER HEAD - INSTALLATION).

(17) Install engine (Refer to 9 - ENGINE - INSTALLATION).

(18) Fill the crankcase with correct engine oil, to proper level. Refer to owners manual for specifications.

(19) Fill the cooling system with proper coolant, to the proper level (Refer to 7 - COOLING/ENGINE/COOLANT - STANDARD PROCEDURE).

(20) Connect negative battery cable.

WARNING: USE EXTREME CAUTION WHEN THE ENGINE IS OPERATING. DO NOT STAND IN A DIRECT LINE WITH THE FAN. DO NOT PUT YOUR HANDS NEAR THE PULLEYS, BELTS, OR FAN. DO NOT WEAR LOOSE CLOTHES.

WARNING: (Refer to 14 - FUEL SYSTEM - WARNING).

(21) Start the engine and inspect for leaks.

PISTON RINGS

STANDARD PROCEDURE - PISTON RING FITTING

(1) Carefully clean the carbon from all ring grooves. Oil drain openings in the oil ring groove and pin boss must be clear. **DO NOT** remove metal from the grooves or lands. This will change ring-to-groove clearances and will damage the ring-to-land seating.

(2) Be sure the piston ring grooves are free of nicks and burrs.

(3) Measure the ring side clearance with a feeler gauge fitted snugly between the ring land and ring (Fig. 43). Rotate the ring in the groove. It must move freely around circumference of the groove.

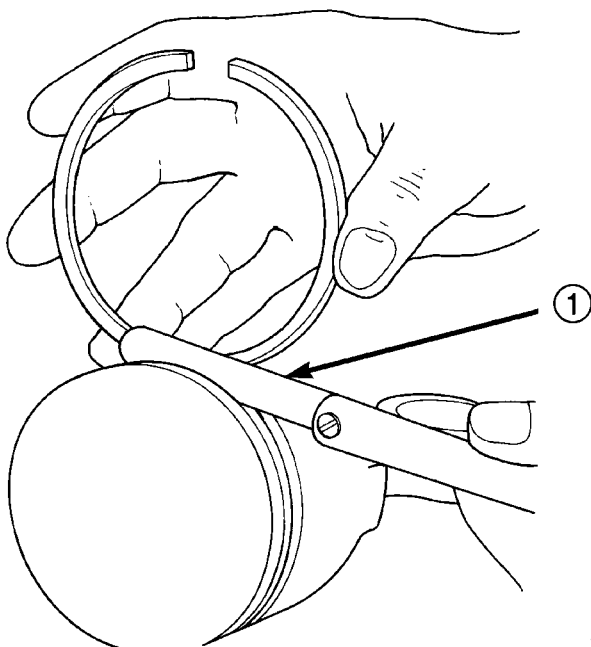


Fig. 43 Measuring Piston Ring Side Clearance

1 - FEELER GAUGE

RING SIDE CLEARANCE CHART

ITEM	SPECIFICATION
Top Compression Ring	0.012 - 0.016 mm (0.0047 - 0.0063 in.)
Second Compression Ring	0.05 - 0.09 mm (0.0019 - 0.0035 in.)
Oil Control Ring	0.03 - 0.07 mm (0.0011 - 0.0027 in.)

(4) Place ring in the cylinder bore and push down with inverted piston to position near lower end of the ring travel. Measure ring gap with a feeler gauge fitting snugly between ring ends (Fig. 44).

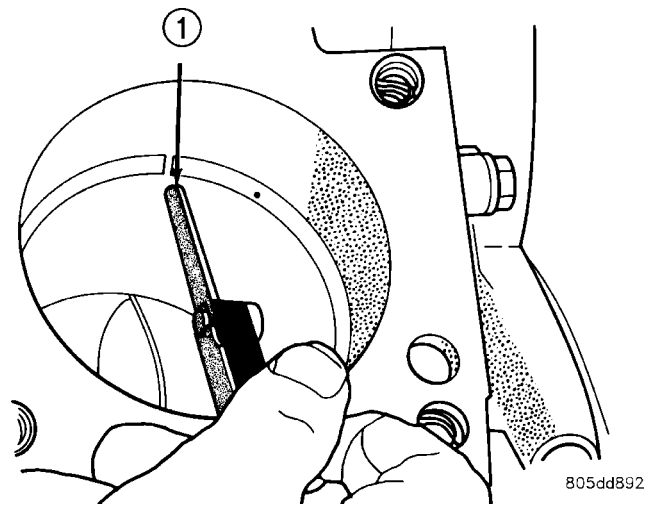


Fig. 44 Ring

1 - FEELER GAUGE

RING GAP MEASUREMENT CHART

ITEM	SPECIFICATION
Top Compression Ring	0.229 - 0.610 mm (0.0090 - 0.0240 in.)
Second Compression Ring	0.483 - 0.965 mm (0.0190 - 0.080 in.)
Oil Control Ring	0.254 - 1.500 mm (0.010 - 0.060 in.)

(5) The oil control rings are symmetrical, and can be installed with either side up. It is not necessary to use a tool to install the upper and lower rails. Insert oil rail spacer first, then side rails.

(6) Using a ring expander, install compression rings with manufactures designation pointing toward piston crown (Fig. 45).

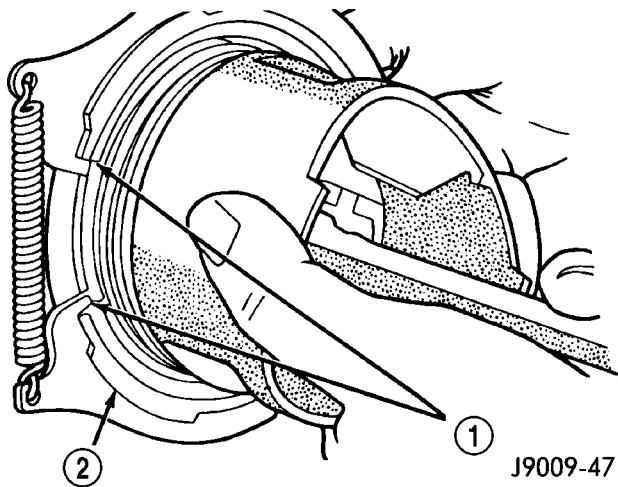
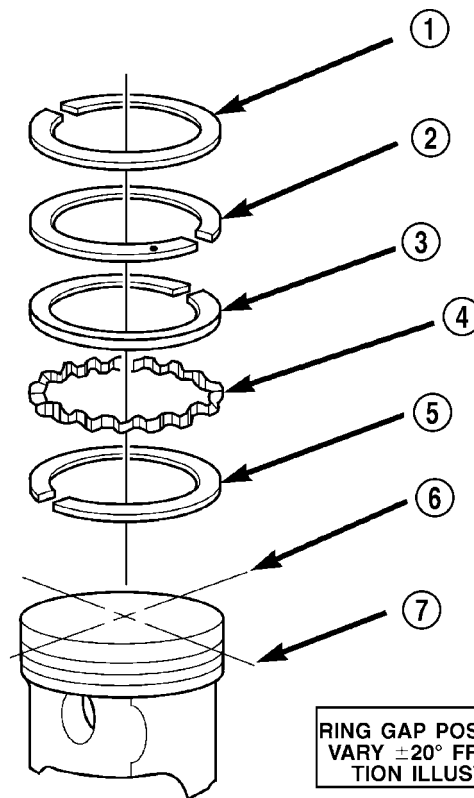


Fig. 45 Compression Ring Installation

- 1 - COMPRESSION RING
2 - RING EXPANDER RECOMMENDED

Ring Gap Orientation

- Position the gaps on the piston as shown (Fig. 46).
- Oil spacer - Gap on center line of piston skirt.
- Oil rails - gap 180° apart on centerline of piston pin bore.
- No. 2 Compression ring - Gap 120° from top oil rail gap.
- No. 1 Compression ring - Gap 120° from No. 2 compression ring gap.



80a7233c

Fig. 46 Ring Gap Orientation

- 1 - TOP COMPRESSION RING
2 - BOTTOM COMPRESSION RING
3 - TOP OIL CONTROL RAIL
4 - OIL RAIL SPACER
5 - BOTTOM OIL CONTROL RAIL
6 - IMAGINARY LINE PARALLEL TO PISTON PIN
7 - IMAGINARY LINE THROUGH CENTER OF PISTON SKIRT

VIBRATION DAMPER

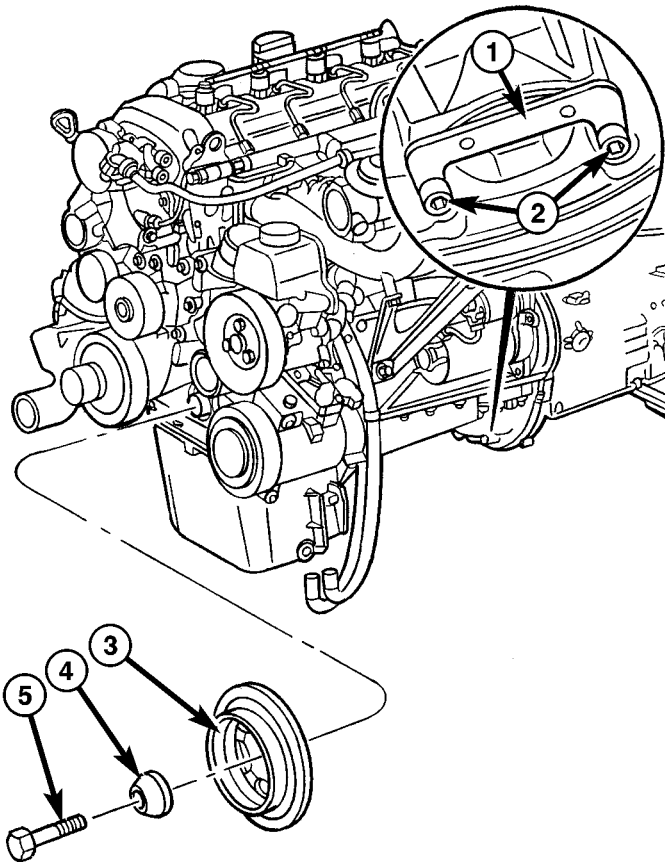
REMOVAL

NOTE: If vehicle is equipped with the additional air conditioner compressor, you must first remove the coolant module and additional A/C belt then use damper puller # 9544.

- (1) Disconnect negative battery cable.
- (2) Remove accessory drive belt (Refer to 7 - COOLING/ACCESSORY DRIVE/DRIVE BELTS - REMOVAL).
- (3) Install retaining lock for crankshaft/ring gear (Fig. 47).
- (4) Remove crankshaft center bolt and washer (Fig. 47).

NOTE: If hub of belt pulley/vibration damper is tight, use puller # 8940 to remove. DO NOT tilt puller when in use. Grooves of the puller must mesh fully into the slots of the belt pulley.

(5) Remove the belt pulley/vibration damper (Fig. 47).



80e48c84

Fig. 47 VIBRATION DAMPER/CRANKSHAFT PULLEY

- 1 - SPECIAL TOOL #8932
- 2 - RETAINING BOLTS
- 3 - VIBRATION DAMPER/CRANKSHAFT PULLEY
- 4 - WASHER
- 5 - CRANKSHAFT BOLT

NOTE: If grooves can be felt in the belt pulley/vibration damper during inspection, the pulley/damper must be replaced.

(6) Inspect hub at belt pulley/vibration damper for wear grooves.

(7) Replace front crankshaft seal.

INSTALLATION

NOTE: Align parallel key, fix in place with grease. Turn to ensure the slot is aligned with parallel key in crankshaft.

NOTE: Front crankshaft seal must be replaced before installing the belt pulley/vibration damper.

(1) Position the belt pulley/vibration damper.

(2) Install crankshaft center bolt and washer. Tighten bolt in two stages. M8.8 bolt to 200N·m (148 lbs. ft.) then 90°, M10.9 bolt to 325N·m (240 lbs. ft.) then 90°.

(3) Remove the retaining lock for the crankshaft/ring gear (Fig. 47).

NOTE: Inspect accessory drive belt for wear. Replace as necessary.

(4) Install accessory drive belt (Refer to 7 - COOLING/ACCESSORY DRIVE/DRIVE BELTS - INSTALLATION).

(5) Install the additional A/C compressor drive belt (if equipped).

(6) Install the coolant module (if equipped with the additional A/C compressor).

(7) Reconnect negative battery cable.

WARNING: USE EXTREME CAUTION WHEN THE ENGINE IS IN OPERATION. DO NOT STAND IN A DIRECT LINE WITH THE FAN. DO NOT PUT YOUR HANDS NEAR THE PULLEYS, BELTS OR FAN. DO NOT WEAR LOOSE CLOTHING.

(8) Start vehicle and inspect for leaks.

VACUUM PUMP

DESCRIPTION

The vacuum pump is operated by a slotted extension attached to the vacuum pump shaft. The vacuum pump shaft slotted extension fits into, and is driven by, the exhaust camshaft gear.

The vacuum pump is a constant displacement, vane-type pump. Vacuum is generated by vanes mounted in the pump rotor. The rotor is located in the pump housing and is pressed onto the pump shaft.

The vacuum pump rotating components are internally lubricated.

The vacuum pump is not serviceable and must be replaced as a unit. Do not disassemble or attempt to repair the pump.

OPERATION

Vacuum pump output is transmitted to the Heater, Electronic, Vacuum, Air Conditioner (HEVAC) and speed control, systems through a supply hose. The hose is connected to an outlet port on the pump housing and uses an in-line check valve to retain system vacuum when vehicle is not running.

Pump output ranges from a minimum of 8.5 to 25 inches vacuum.

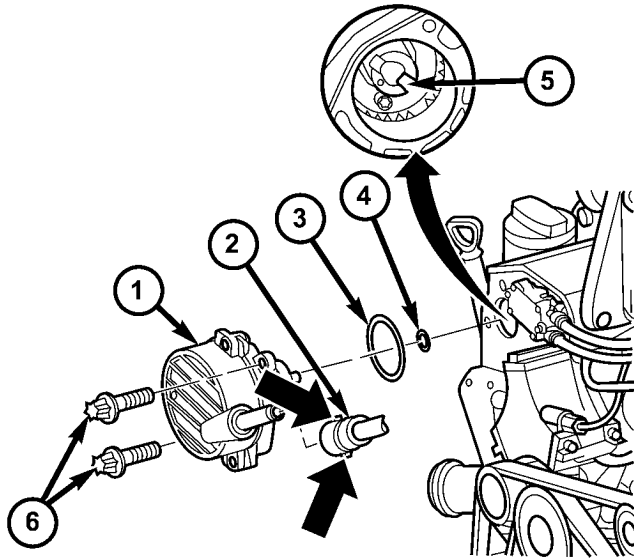
The pump rotor and vanes are rotated by the pump drive gear. The drive gear is operated by the exhaust camshaft gear.

REMOVAL

- (1) Disconnect negative battery cable.
- (2) Remove vacuum line at vacuum pump (Fig. 48).

NOTE: Observe position of driver on rear of pump.

- (3) Remove vacuum pump and seals (Fig. 48)



8115729d

Fig. 48 VACUUM PUMP

- 1 - VACUUM PUMP
- 2 - VACUUM LINE
- 3 - O-RING
- 4 - O-RING
- 5 - EXHAUST CAMSHAFT
- 6 - BOLTS

- (4) Clean all sealing surfaces.

INSTALLATION

- (1) Clean all sealing surfaces.
- (2) Position driver on rear of pump and install vacuum pump with new seals. Tighten bolts to 14N·m (124 lbs. in.). (Fig. 48)
- (3) Install vacuum line to vacuum pump (Fig. 48).
- (4) Connect negative battery cable.

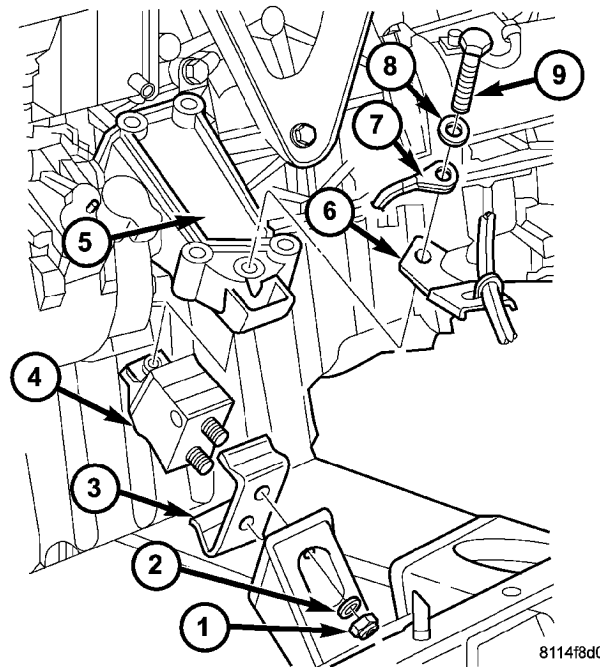
WARNING: USE EXTREME CAUTION WHEN THE ENGINE IS OPERATING. DO NOT STAND IN A DIRECT LINE WITH THE FAN. DO NOT PUT YOUR HANDS NEAR THE PULLEYS, BELTS OR FAN. DO NOT WEAR LOOSE CLOTHES.

- (5) Start the engine and inspect for leaks.

LEFT MOUNT

REMOVAL

- (1) Install engine support fixture #8534 with adaptors #8534-16 and raise the engine slightly.
- (2) Raise and support the vehicle.
- (3) Remove the engine mount bolts (Fig. 49)
- (4) Lower the vehicle.
- (5) Using the engine support fixture # 8934, raise the engine until the weight is no longer on the mounts.
- (6) Raise and support the vehicle.
- (7) Remove the engine mount nuts and remove the mount (Fig. 49)



8114f8d0

Fig. 49 LEFT ENGINE MOUNT

- 1 - NUT
- 2 - WASHER
- 3 - STOP PLATE
- 4 - ENGINE MOUNT
- 5 - ENGINE SUPPORT
- 6 - BRACKET
- 7 - GROUND CABLE
- 8 - WASHER
- 9 - BOLT

INSTALLATION

- (1) Position the engine mount into the stop plate (Fig. 49)
- (2) Position the engine mount into position and tighten the retaining nuts to 45 N·m (33 lbs. ft.) (Fig. 49)
- (3) Lower the vehicle.
- (4) Lower the engine on to the engine mounts until they contact (Fig. 49)
- (5) Hand tighten the engine support to engine mount bolt (Fig. 49).

(6) Lower the engine on to the engine mount and tighten bolt to 83 N·m (61 lbs.ft.) (Fig. 49)

(7) Remove the engine support fixture and adaptors.

RIGHT MOUNT

REMOVAL

(1) Install engine support fixture #8534 with adaptors #8534-16 and raise the engine slightly.

(2) Raise and support the vehicle.

(3) Remove the engine mount bolts (Fig. 50)

(4) Lower the vehicle.

(5) Using the engine support fixture, raise the engine until the weight is no longer on the mounts.

(6) Raise and support the vehicle.

(7) Remove the engine mount nuts and remove the mount (Fig. 50)

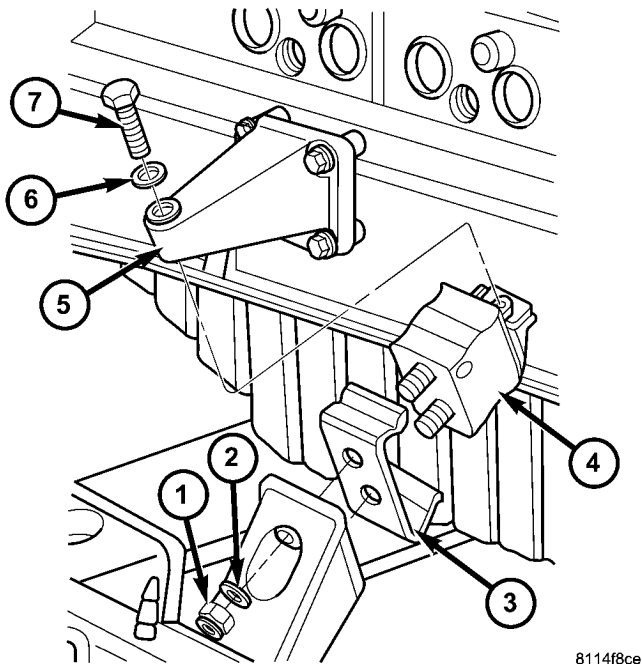


Fig. 50 RIGHT ENGINE MOUNT

- 1 - NUT
- 2 - WASHER
- 3 - STOP PLATE
- 4 - ENGINE MOUNT
- 5 - ENGINE SUPPORT
- 6 - WASHER
- 7 - BOLT

INSTALLATION

(1) Position the engine mount into the stop plate (Fig. 50)

(2) Position the engine mount into position and tighten the retaining nuts to 45 N·m (33 lbs. ft.) (Fig. 50)

(3) Lower the vehicle.

(4) Lower the engine on to the engine mounts until they contact (Fig. 50)

(5) Hand tighten the engine support to engine mount bolt (Fig. 50).

(6) Lower the engine on to the engine mount and tighten bolt to 83 N·m (61 lbs.ft.) (Fig. 50)

(7) Remove the engine support fixture and adaptors.

OIL

REMOVAL - OIL SEPARATOR

(1) Disconnect breather hose.

(2) Remove the separator retaining bolts

(3) Twist to remove oil separator from cover.

INSTALLATION - OIL SEPARATOR

(1) Lubricate the oil separator o - ring with clean engine oil.

(2) Position separator above cover and apply downward pressure to seat.

(3) Install retaining bolts and tighten to 8N·m (70 lbs. in.).

(4) Connect breather hose.

OIL COOLER & LINES

REMOVAL

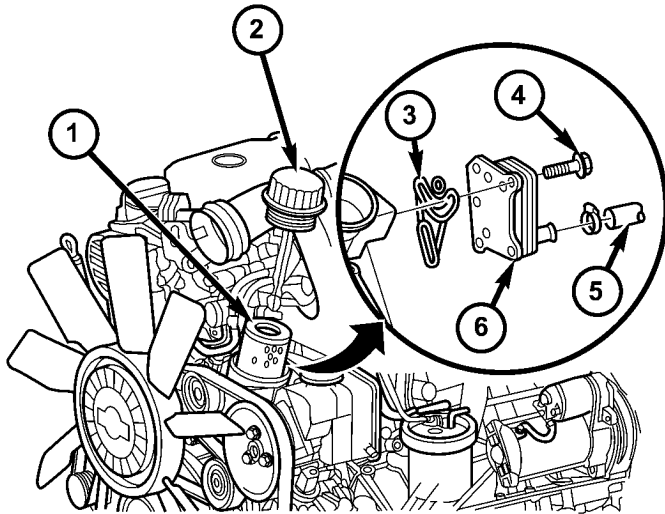
WARNING: RISK OF INJURY TO SKIN AND EYES DUE TO SCALDING FROM HOT COOLANT. DO NOT OPEN THE COOLING SYSTEM UNLESS THE TEMPERATURE IS BELOW 194°F (90°C). WEAR PROTECTIVE CLOTHING AND EYE WEAR. RISK OF POISONING IF COOLANT IS SWALLOWED. STORE COOLANT IN PROPER AND APPROPRIATELY MARKED CONTAINERS.

(1) Partailly drain cooling system.

(2) Remove the oil filter.

(3) Remove the coolant hoses from the oil cooler (Fig. 51).

(4) Remove the oil cooler from the timing case cover (Fig. 51).



81156f45

Fig. 51 ENGINE OIL COOLER

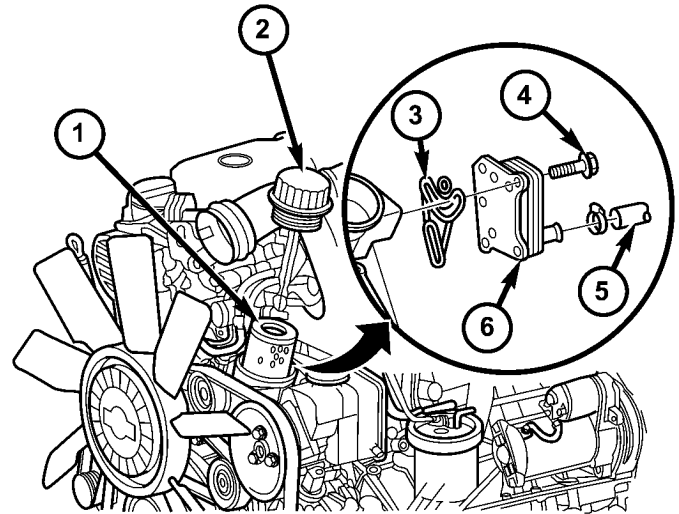
- 1 - OIL FILTER
- 2 - OIL FILTER COVER
- 3 - GASKET
- 4 - BOLT
- 5 - COOLANT HOSE
- 6 - ENGINE OIL COOLER

INSTALLATION

- (1) Clean all sealing surfaces.
- (2) Install the engine oil cooler to the timing case cover with a new gasket. Tighten bolts to 14N·m (124 lbs. in.) (Fig. 51).
- (3) Reconnect the coolant hoses and tighten clamps.
- (4) Install new oil filter and tighten oil filter cap to 25N·m (18 lbs. ft.) (Fig. 51).
- (5) Refill cooling system.
- (6) Start engine and inspect for leaks.
- (7) Turn engine off and check engine oil level. Add as necessary.

OIL FILTER**REMOVAL**

- (1) Unscrew the oil filter cap (Fig. 52)
- (2) Remove clean and inspect cap gasket, replace as necessary.
- (3) Remove oil filter (Fig. 52).



81156f45

Fig. 52 ENGINE OIL COOLER

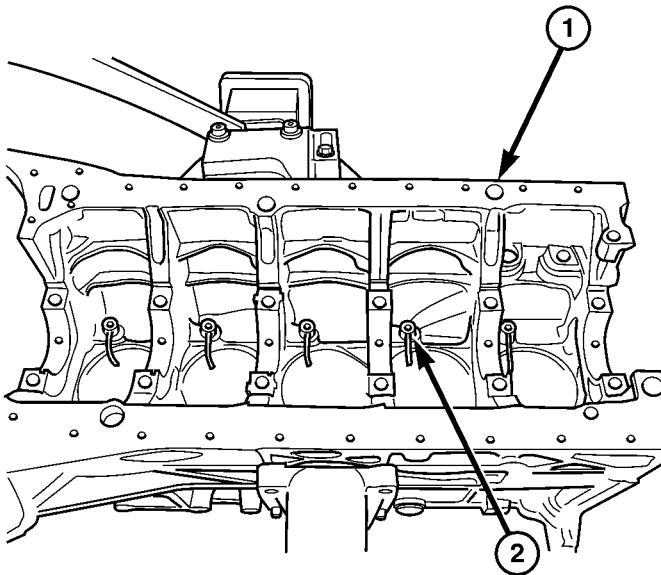
- 1 - OIL FILTER
- 2 - OIL FILTER COVER
- 3 - GASKET
- 4 - BOLT
- 5 - COOLANT HOSE
- 6 - ENGINE OIL COOLER

INSTALLATION

- (1) Inspect oil filter cap gasket, if all right, lubricate with clean engine oil.
- (2) Install oil filter.
- (3) Screw oil filter cap to housing and tighten to 25N·m (18 lbs. ft.) (Fig. 52). Adjust oil level as necessary.

OIL JET**DESCRIPTION**

There are five oil jets installed in the engine block (Fig. 53). These oil jets are used to cool and lubricate the piston assemblies.



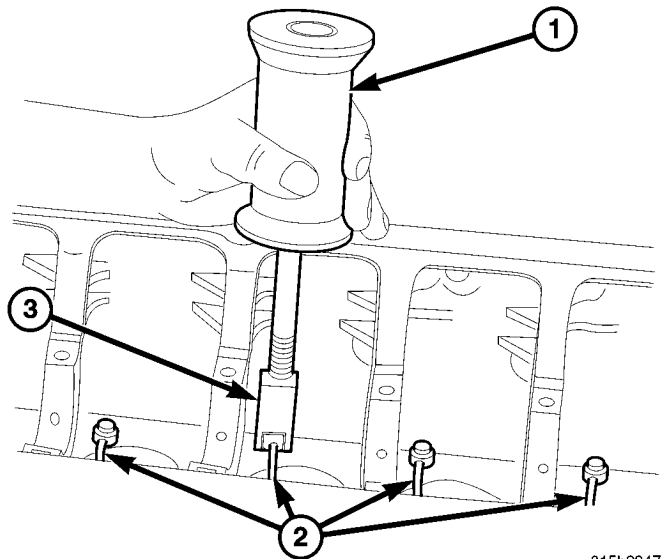
80e4a7da

Fig. 53 OIL JET LOCATION

- 1 - ENGINE BLOCK
2 - OIL JET

REMOVAL

The engine must be removed from the vehicle and completely disassembled to replace the oil jets.



815b2347

Fig. 54 OIL JET EXTRACTION CLAW

- 1 - SLIDE HAMMER
2 - OIL JETS
3 - EXTRACTION CLAW # 9746

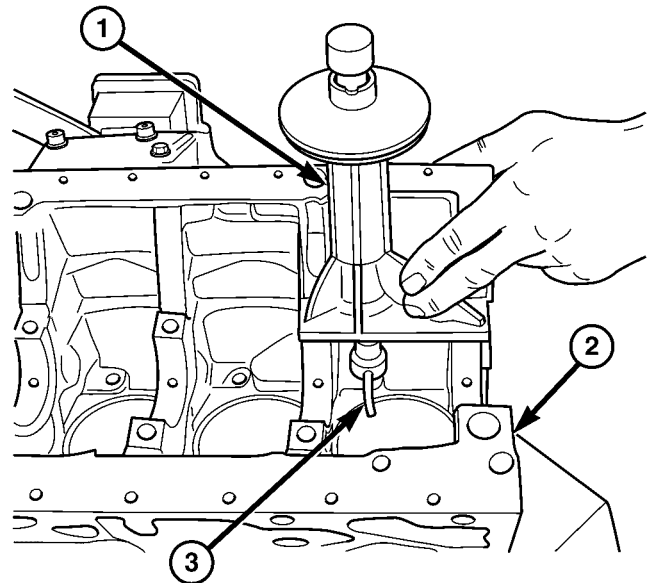
- (1) Remove engine from vehicle.
- (2) Completely disassemble engine.
- (3) Using an extraction claw #9746 (3) and a slide hammer (1), remove the oil jets (2) from engine block (Fig. 54).

INSTALLATION

- (1) Install oil jet into special tool #8924.
- (2) Align oil jet in location in engine block.

NOTE: Align oil jet with the groove in special tool #8924.

- (3) Drive oil jets into block using special tool #8924 until oil jet is fully seated into engine block (Fig. 55).



80e4a7de

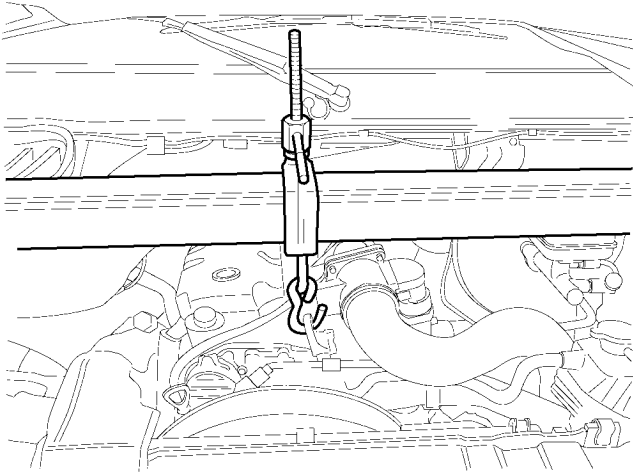
Fig. 55 OIL JET INSTALLATION

- 1 - OIL JET INSTALLER #8942
2 - ENGINE BLOCK
3 - OIL JET

- (4) Reassemble engine.
- (5) Install engine into vehicle.

OIL PAN**REMOVAL**

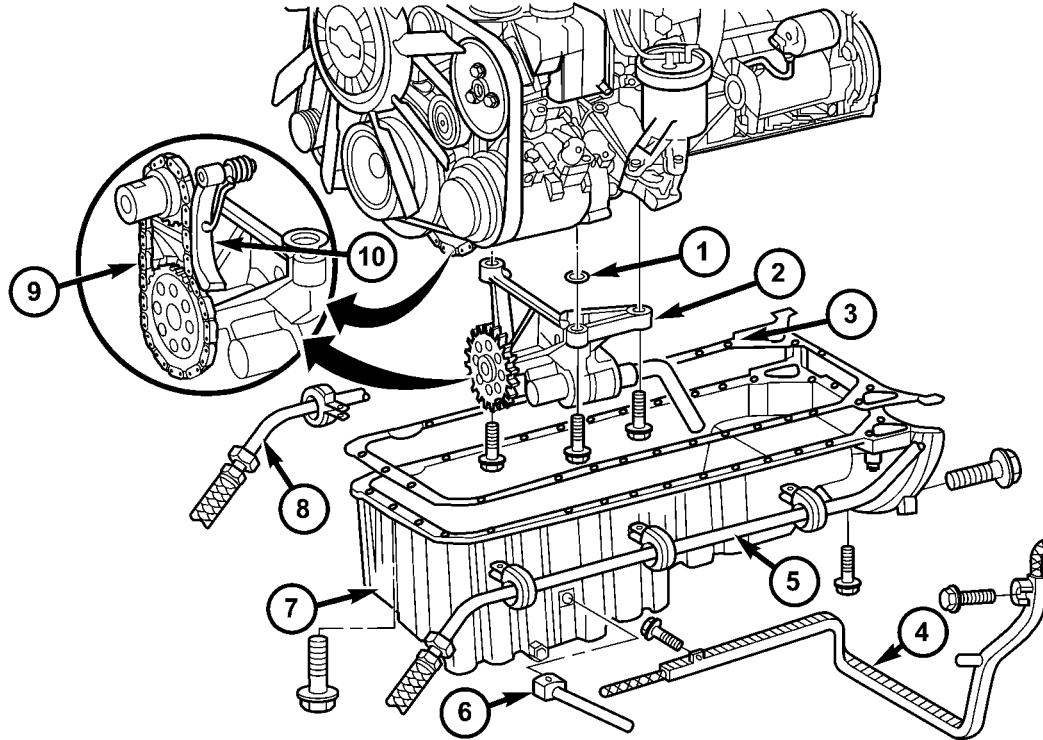
- (1) Drain engine oil.
- (2) Remove the sway bar retaining bolts and swing sway bar down and out of the way.
- (3) Remove the wiring harness duct from the oil pan bolts and position out of the way.
- (4) Lower the vehicle and remove the turbocharger upper heat shield.
- (5) Connect engine support fixture #8534 using adaptors #8534-16, to the engine lifting eye and raise engine slightly (Fig. 56).



812d2404

Fig. 56 ENGINE SUPPORT FIXTURE

- (6) Remove engine mounts and raise engine.
- (7) Disconnect the oil level sensor.
- (8) Remove the transmission cooler lines from the oil pan bolts and carefully position the lines aside
- (9) Remove the oil pan bolts.
- (10) Remove oil pan and gasket (Fig. 57).



8115710d

Fig. 57 OIL PAN

- | | |
|-------------------------|------------------------------------|
| 1 - O-RING | 6 - CONNECTOR FOR OIL LEVEL SENSOR |
| 2 - OIL PUMP | 7 - OIL PAN |
| 3 - GASKET | 8 - TRANSMISSION LINE |
| 4 - WIRING HARNESS DUCT | 9 - OIL PUMP CHAIN |
| 5 - TRANSMISSION LINE | 10 - OIL PUMP CHAIN TENSIONER |

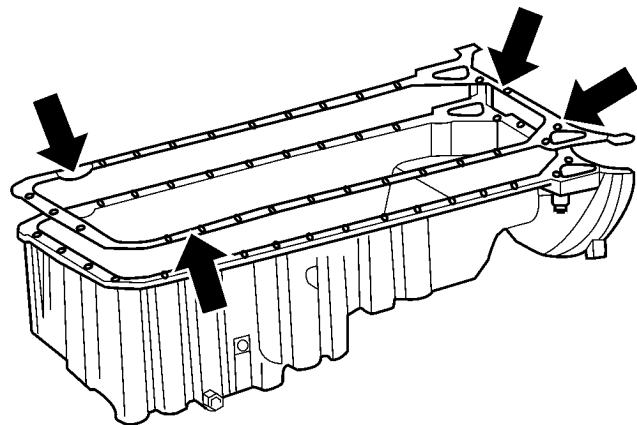
INSTALLATION

NOTE: Oil pan bolts are of different diameters and lengths. Care must be take to install the bolts in their original position (Fig. 59).

NOTE: Clean the strainer of the oil pump. If the oil pump is dry, coat the inside with clean engine oil.

NOTE: Thoroughly clean all mating surfaces with the appropriate solvents to assure that no grease or oil is present during reassembly.

- (1) Slide the oil pan into position.



8115718e

Fig. 58 OIL PAN GASKET

- (2) Slide the gasket into position.
- (3) Add sealant to the joints on the engine block where indicated (Fig. 58).

(4) Install the oil pan. Tighten M6 bolts to 9N·m (80 lbs. in.) and M8 bolts to 20N·m (15 lbs. ft.) (Fig. 59).

(5) Tighten the bolt of the transmission bell housing to oil pan to 40N·m (30 lbs. ft.).

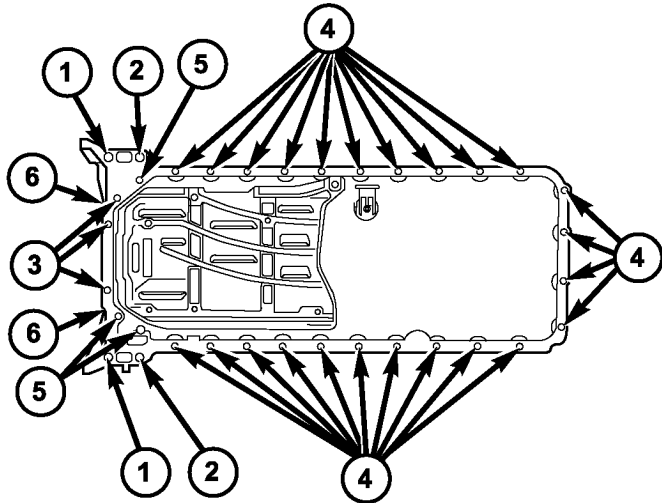


Fig. 59 OIL PAN BOLTS

8115718c

- 1 - M8X40
- 2 - M8X50
- 3 - M6X85
- 4 - M6X20
- 5 - M6X35
- 6 - M10X55

- (6) Install the wiring harness duct (Fig. 57).
- (7) Connect the oil level sensor (Fig. 57).
- (8) Lower the vehicle.
- (9) Lower the engine until the engine mount and engine supports make contact.
- (10) Start and hand tighten the engine mount bolts.
- (11) Lower the engine the rest of the way and remove the engine support fixture.
- (12) Tighten the engine mount bolts to 83 N·m (61 lbs. ft.).
- (13) Install the sway bar and tighten bolts to 30 N·m (22 lbs. ft.).
- (14) Refill crankcase with the proper engine oil to the proper level (Refer to LUBRICATION & MAINTENANCE/FLUID TYPES - SPECIFICATIONS).
- (15) Reconnect negative battery cable.

WARNING: USE EXTREME CAUTION WHEN THE ENGINE IS OPERATING. DO NOT PUT YOUR HANDS NEAR THE PULLEYS, BELTS OR FAN. DO NOT WEAR LOOSE CLOTHES.

- (16) Start the engine and inspect for leaks.

OIL PUMP

REMOVAL

REMOVAL

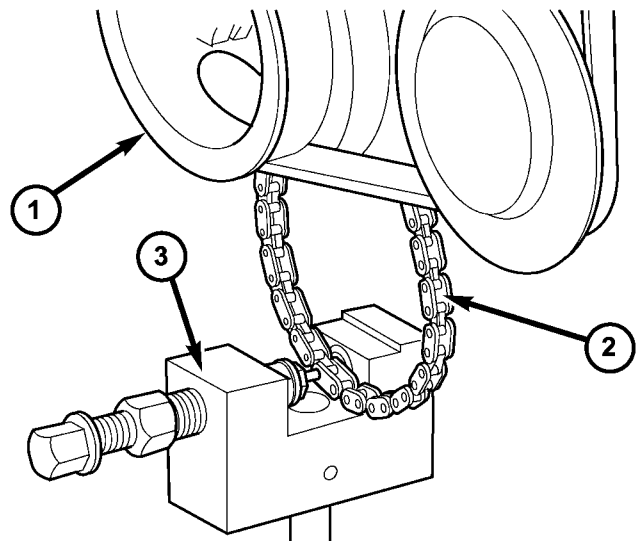
- (1) Remove the oil pan (Refer to 9 - ENGINE/LUBRICATION/OIL PAN - REMOVAL).
- (2) Remove the oil pump bolts (Fig. 57).
- (3) Press the chain tensioner off of the oil pump chain, and remove pump from chain.
- (4) Remove the oil pump, pick-up tube and O-ring (Fig. 57).

REMOVAL - OIL PUMP CHAIN

- (1) Disconnect negative battery cable.
- (2) Remove oil pan (Refer to 9 - ENGINE/LUBRICATION/OIL PAN - REMOVAL).
- (3) Remove oil pump (Refer to 9 - ENGINE/LUBRICATION/OIL PUMP - REMOVAL).

NOTE: Make sure the pin of the thrust spindle is backed out into the thrust spindle before seating the thrust spindle to the oil pump chain.

- (4) Using special tool #9312-1 riveting tool, thrust spindle #9312-4 and thrust pin pin #9312-3, position and fit chain separating tool and thrust spindle onto a link of the oil pump chain (Fig. 60).



80e46d63

Fig. 60 OIL PUMP CHAIN LINK REMOVAL

- 1 - VIBRATION DAMPER/PULLEY
- 2 - OIL PUMP CHAIN
- 3 - SPECIAL TOOL #9312-1

- (5) Screw the thrust pin in and separate the oil pump chain link.

(6) Remove pressed - out oil pump chain pin from chain separation tool.

CAUTION: IT IS ESSENTIAL that the installation procedure for the oil pump chain is followed exactly. Failure to do so will result in severe engine damage.

INSTALLATION

INSTALLATION

NOTE: If the oil pump is dry, fill it with clean engine oil before installation. Clean the oil pick-up tube and strainer.

- (1) Clean all sealing surfaces.
- (2) Position the oil pump onto the drive chain and reset tensioner.
- (3) Install oil pump retaining bolts and tighten to 18 N·m (160 lbs. in.).
- (4) Install the oil pan (Refer to 9 - ENGINE/LUBRICATION/OIL PUMP - INSTALLATION).
- (5) Refill the crankcase to the appropriate level with the proper engine oil (Refer to LUBRICATION & MAINTENANCE/FLUID TYPES - SPECIFICATIONS).

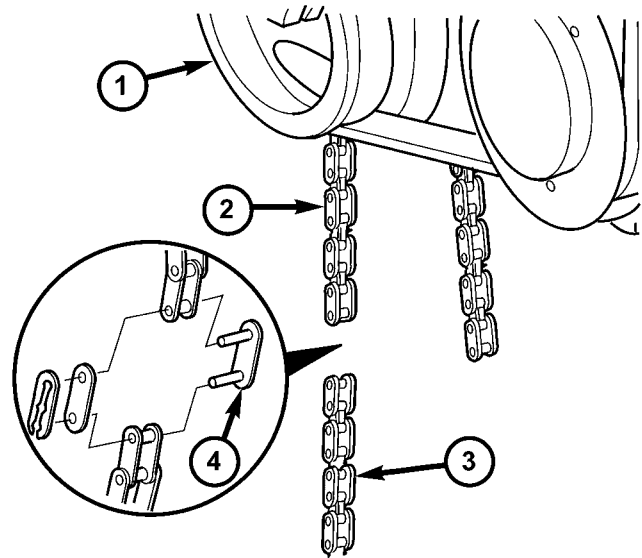
WARNING: USE EXTREME CAUTION WHEN THE ENGINE IS OPERATING. DO NOT PUT YOUR HANDS NEAR THE PULLEYS, BELTS OR FAN. DO NOT WEAR LOOSE CLOTHES.

- (6) Start the vehicle and inspect for leaks.

INSTALLATION - OIL PUMP CHAIN

CAUTION: IT IS ESSENTIAL that the installation procedure is followed exactly. Failure to do so will result in severe engine damage.

- (1) Connect old oil pump chain and new chain with temporary link, outer plate and locking element (Fig. 61).



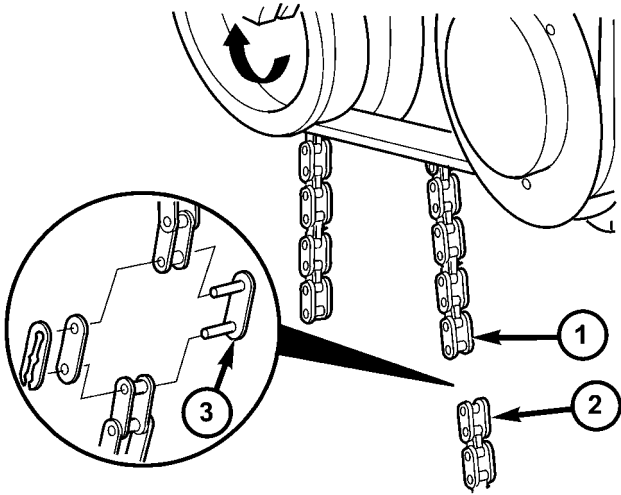
80e46dc5

Fig. 61 INSTALLING OIL PUMP CHAIN TEMPORARY LINK

- 1 - VIBRATION DAMPER/CRANKSHAFT PULLEY
- 2 - OLD OIL PUMP CHAIN
- 3 - NEW OIL PUMP CHAIN
- 4 - TEMPORARY LINK

(2) Slowly rotate crankshaft in a clockwise direction until it is possible to connect the ends of the new and old oil pump chains.

(3) Remove assembly locking element, outer plate and assembly link (Fig. 62).



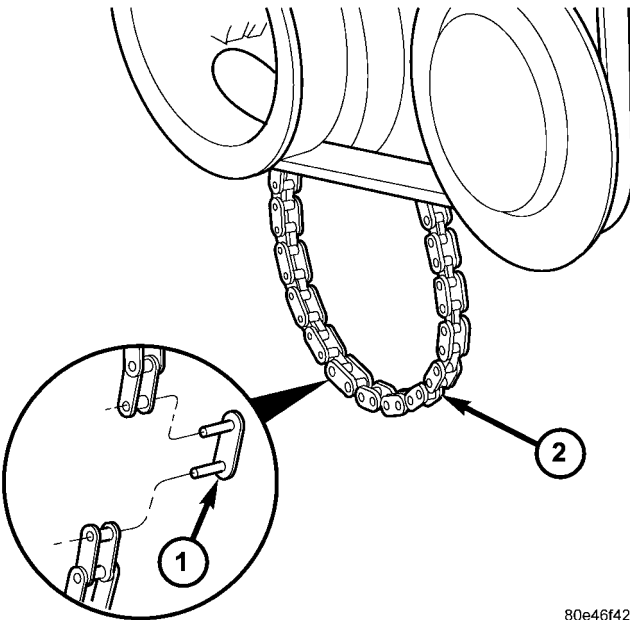
80e46f1b

Fig. 62 REMOVING OIL PUMP CHAIN TEMPORARY LINK

- 1 - NEW OIL PUMP CHAIN
- 2 - OLD OIL PUMP CHAIN
- 3 - TEMPORARY LINK

CAUTION: Insert new riveted link from the rear.

(4) Connect ends of new oil pump chain with new riveted link (Fig. 63).



80e46f42

Fig. 63 INSTALLING NEW RIVETED LINK

- 1 - NEW RIVETED LINK
- 2 - OIL PUMP CHAIN

NOTE: When assembling riveting tool, one piece is secured by a screw and the other can move loosely on the thrust spindle.

NOTE: The outer plate will be held in place by a magnet.

(5) Place new outer plate into tool insert.

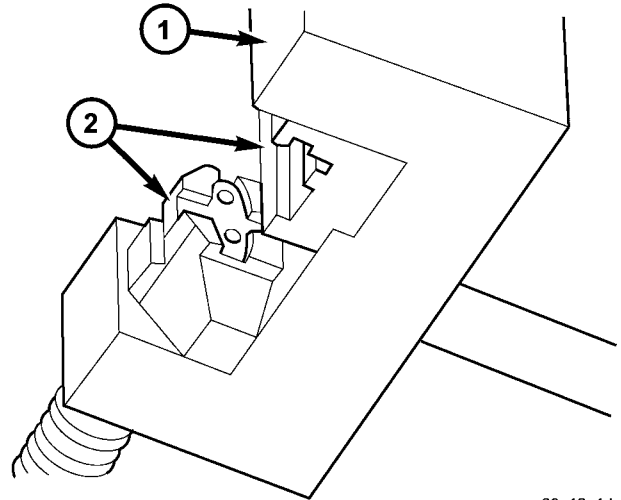
NOTE: Ensure that the riveted link and riveting tool are aligned.

(6) Position riveting tool over new link and press in new rivet as far as the tool stop.

(7) Remove riveting tool to change inserts.

(8) Install insert on riveting tool and secure with screw.

(9) Install insert on riveting tool (Fig. 64).



80e18a1d

Fig. 64 INSTALLING RIVETING INSERTS INTO RIVETING TOOL

- 1 - SPECIAL TOOL #9312-1
- 2 - SPECIAL TOOL #9312-5 and #9312-9

NOTE: The outer plate is held in place magnetically by riveting tool.

(10) Insert new outer plate into the moving assembly insert.

(11) Position riveting tool so that spacer webs of the guide are side by side.

(12) Ensure that riveted link and outer plate are aligned.

NOTE: When turning spindle of riveting tool, be sure that pins of riveted link are inserted into holes of outer plate.

(13) Screw in spindle of riveting tool until firm resistance is felt.

- (14) Remove riveting tool.
- (15) Turn over tool moving assembly insert to the riveting profile.

NOTE: Rivet pins of the riveted link individually.

- (16) Position riveting tool exactly over middle of pin (Fig. 65).

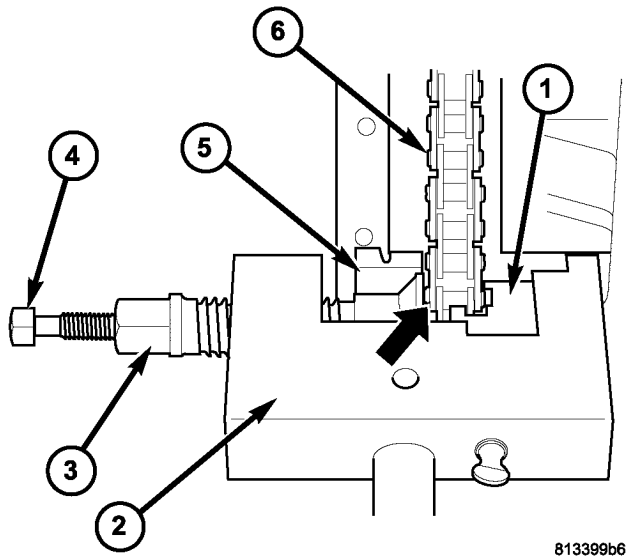


Fig. 65 NEW LINK RIVETING

- 1 - SPECIAL TOOL #9312-5 INSERT
- 2 - SPECIAL TOOL #9312-1 RIVETING TOOL
- 3 - SPECIAL TOOL #9312-4 THRUST SPINDLE
- 4 - SPECIAL TOOL #9312-3 THRUST PIN
- 5 - SPECIAL TOOL #9312-12 INSERT
- 6 - OIL PUMP CHAIN

- (17) Tighten riveting tool spindle until it stops.
- (18) Remove riveting tool, inspect riveting, re-rivet if necessary (Fig. 66).
- (19) Repeat procedure for both rivets.

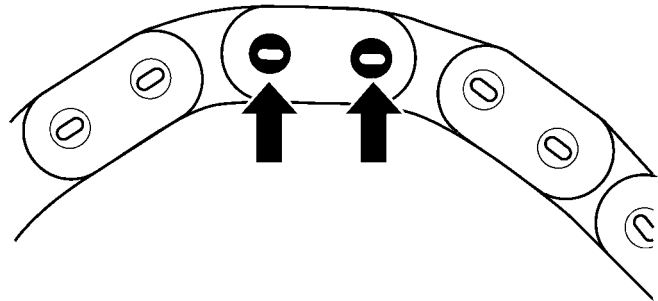


Fig. 66 RIVET INSPECTION

- (20) Install oil pump (Refer to 9 - ENGINE/LUBRICATION/OIL PUMP - INSTALLATION).
- (21) Install oil pan (Refer to 9 - ENGINE/LUBRICATION/OIL PAN - INSTALLATION).
- (22) Refill engine with proper oil to the correct level (Refer to LUBRICATION & MAINTENANCE/FLUID TYPES - SPECIFICATIONS).
- (23) Connect negative battery cable.
- (24) Start engine and inspect for leaks.

OIL SENSOR

DESCRIPTION

Oil level, oil temperature and oil quality are detected by means of an oil sensor located in the oil pan. The sensor which operates on the capacitance principle features an integrated electronic circuit which analyzes the three signals. The signals are constantly relayed to the ECM and over the CAN bus to the instrument cluster by means of PWM signal.

OPERATION

Oil quality is detected for indicating the need-based oil change interval. The oil quality is detected on the basis of the capacitance of the engine oil (dielectrics, does not conduct electricity), this being as much as six times greater in case of poor quality.

Oil level and oil quality are separate of each other. The information is first of all compensated in the ECM before being transmitted over the CAN bus.

Faults at the oil sensor are detected by the ECM and entered into fault memory. The voltage for the oil sensor (approx.5V) is supplied by the ECM.

REMOVAL

- (1) Disconnect the negative battery cable.
- (2) Raise and support the vehicle.
- (3) Drain engine oil into a suitable, and appropriately marked container.
- (4) Remove engine mount to chassis nuts.
- (5) Lower vehicle and install engine support.
- (6) Remove the turbo charger heat shield to radiator support bolts.
- (7) Raise engine until the weight of the engine no longer rests on the engine mounts.
- (8) Raise and support the vehicle.
- (9) Detach the front stabilizer bar at the front axle and rotate it downward.
- (10) Unplug the oil level sensor (Fig. 67).
- (11) Remove the oil level sensor retaining screw, oil level sensor and discard the O-ring (Fig. 67).

- (8) Raise and support the vehicle.
- (9) Tighten both engine mount to chassis nuts.
- (10) Install and tighten oil drain plug.
- (11) Lower vehicle and install the appropriate engine oil.

INTAKE MANIFOLD

REMOVAL

WARNING: NO FIRE, SPARKS OR SMOKING. STORE FUELS ONLY INTO SUITABLE AND APPROPRIATELY MARKED CONTAINERS, AND WEAR PROTECTIVE CLOTHING. (Refer to 14 - FUEL SYSTEM - WARNING).

WARNING: DO NOT OPEN THE COOLING SYSTEM UNLESS THE COOLANT TEMPERATURE IS BELOW 90°C (194°F). OPEN RADIATOR CAP SLOWLY TO RELEASE PRESSURE. STORE COOLANT ONLY INTO SUITABLE AND APPROPRIATELY MARKED CONTAINERS, WEAR PROTECTIVE CLOTHING AND EYE PROTECTION.

- (1) Disconnect the negative battery cable.
- (2) Partially drain coolant from the radiator.
- (3) Remove the engine cover (Refer to 9 - ENGINE - REMOVAL).
- (4) Remove the high pressure fuel lines (Fig. 68).

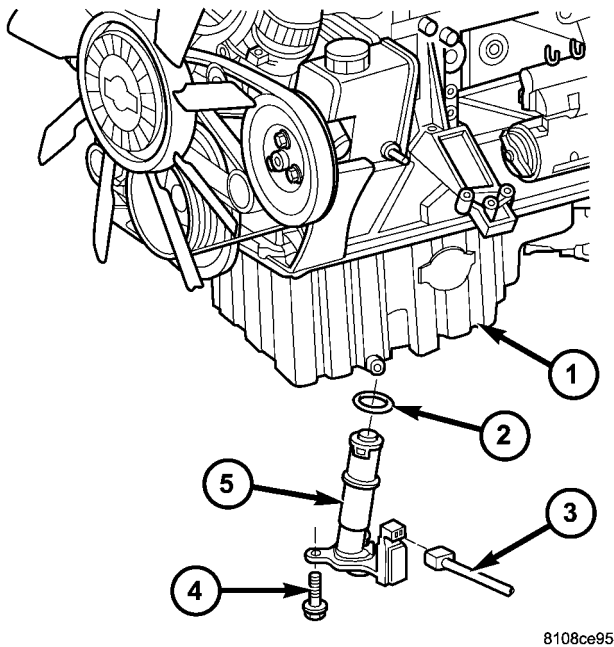
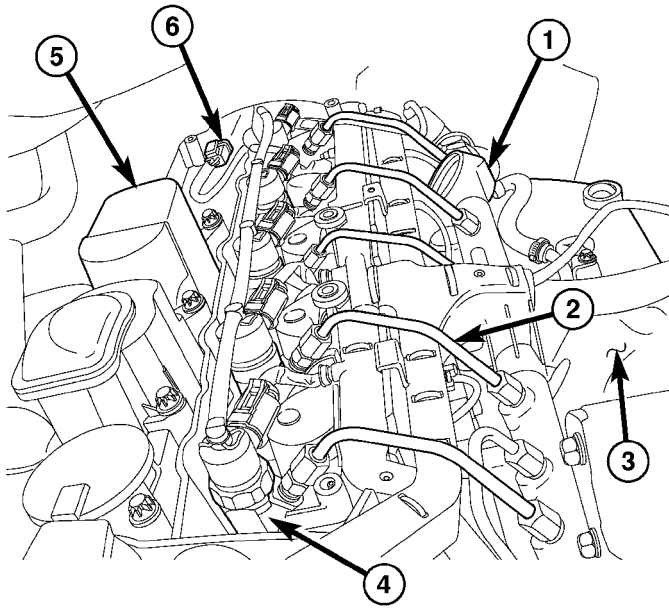


Fig. 67 OIL LEVEL SENSOR

- 1 - OIL PAN
- 2 - O-RING
- 3 - WIRING HARNESS
- 4 - BOLT
- 5 - OIL LEVEL SENSOR

INSTALLATION

- (1) Seat new O-ring on oil level sensor and lubricate O-ring with clean engine oil (Fig. 67).
- (2) Install the oil level sensor into the oil pan and tighten screw to 124 lbs. in.(14N-m) (Fig. 67).
- (3) Connect oil level sensor wiring harness connector (Fig. 67).
- (4) Rotate front stabilizer bar upward and secure to axle beam. Tighten to 22 lbs.ft. (30 N-m)
- (5) Lower the vehicle.
- (6) Lower the engine into the mounts.
- (7) Remove engine support fixture.



812d4aa1

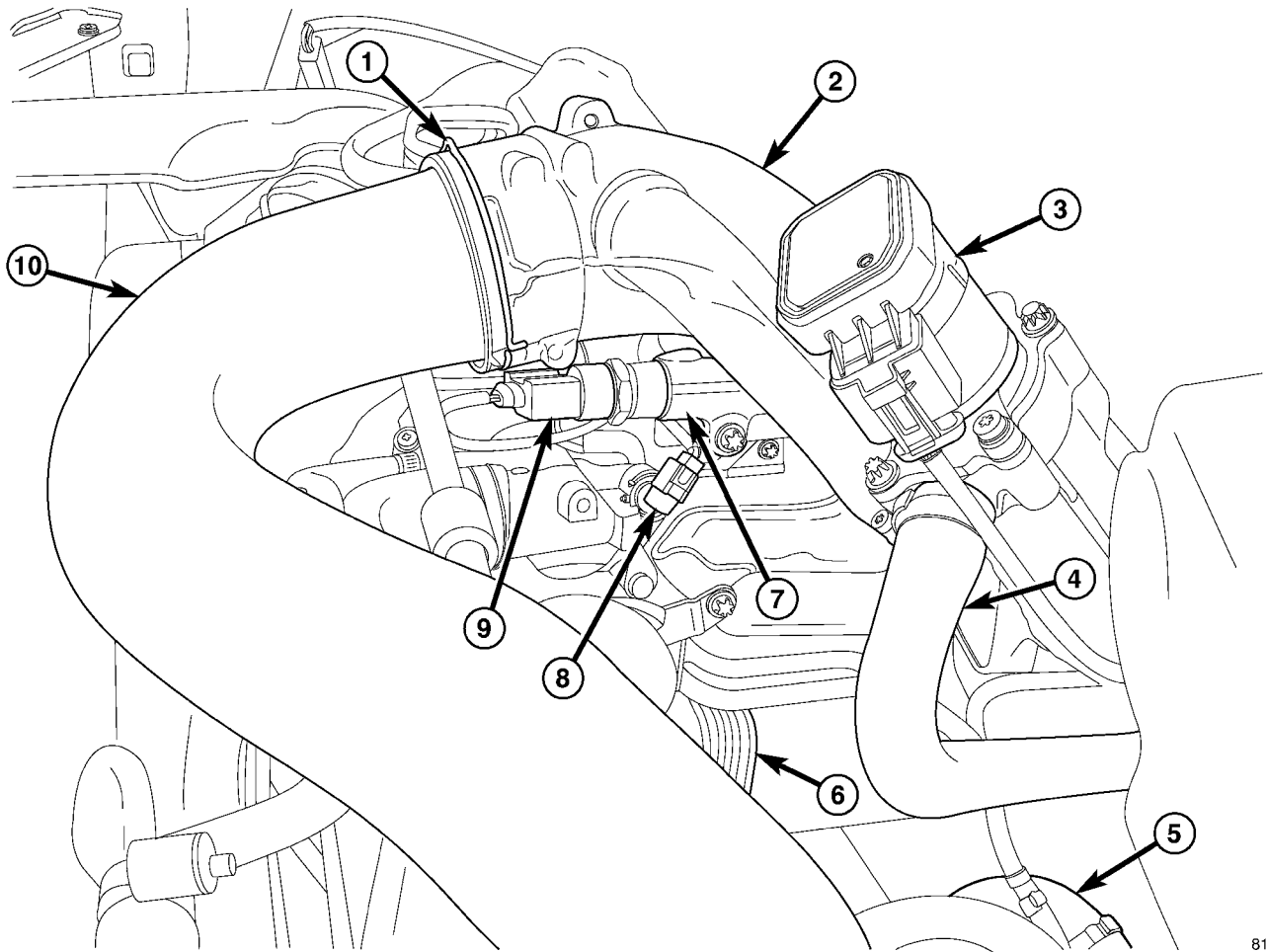
Fig. 68 FUEL INJECTORS AND HIGH PRESSURE FUEL LINES

- 1 - FUEL RAIL
- 2 - HIGH PRESSURE FUEL INJECTOR LINES
- 3 - INTAKE MANIFOLD
- 4 - FUEL INJECTOR
- 5 - CRANKCASE VENTILATION BREATHER
- 6 - CAMSHAFT POSITION SENSOR

(5) Remove the fuel rail (Refer to 14 - FUEL SYSTEM/FUEL DELIVERY/FUEL RAIL - REMOVAL).

(6) Remove the fuel rail support block between cylinders #1 and #2 (Fig. 68).

(7) Disconnect the charge air hose at the intake manifold (Fig. 69).



812d4a24

Fig. 69 INTAKE MANIFOLD

- | | |
|---|---|
| <ul style="list-style-type: none"> 1 - CLIP 2 - INTAKE MANIFOLD 3 - EGR VALVE 4 - EGR VALVE COOLANT HOSE 5 - FUEL FILTER | <ul style="list-style-type: none"> 6 - ENGINE OIL COOLER 7 - HIGH PRESSURE FUEL RAIL 8 - COOLANT TEMPERATURE SENSOR 9 - FUEL RAIL PRESSURE SENSOR 10 - CHARGE AIR HOSE |
|---|---|

(8) Disconnect the EGR wiring harness connector (Fig. 69).

(9) Remove the bolt retaining the engine wiring harness to the intake manifold.

(10) Disconnect the coolant hose at the EGR valve.

NOTE: Collect and store any fluid spillage when disconnecting components.

(11) Disconnect both fuel lines at the fuel filter (Fig. 69).

(12) Remove the lower intake manifold support bracket (Fig. 70).

(13) Raise and support the vehicle.

(14) Remove the rear intake manifold mounting bolts while accessible from below.

(15) Lower the vehicle.

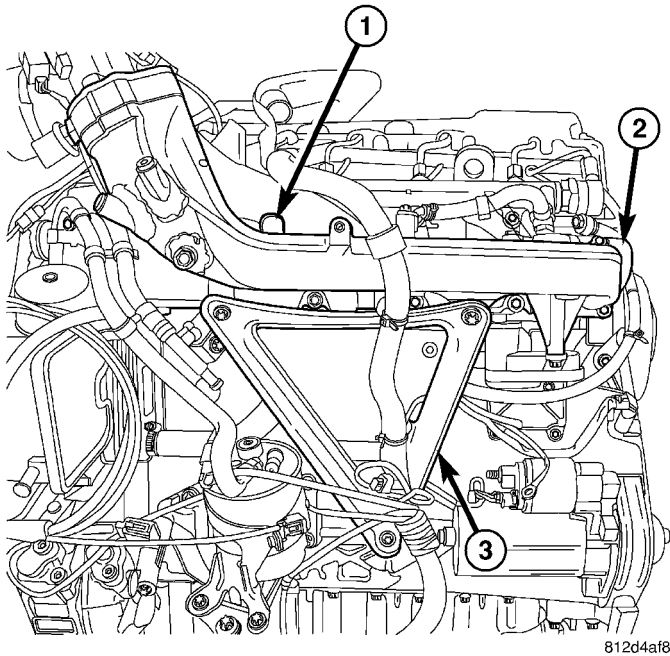


Fig. 70 INTAKE MANIFOLD

- 1 - INTAKE BOLT ACCESS HOLE
 2 - INTAKE MANIFOLD
 3 - SUPPORT BRACKET

NOTE: Access to one of the intake manifold bolts is through a supplied hole in the manifold.

(16) Remove the remaining intake manifold bolts, lift the intake manifold up and out while guiding the engine wiring harness and fuel lines through the openings in the intake manifold, then remove the gasket (Fig. 70).

NOTE: Install the EGR valve with new gasket onto the new intake manifold if the intake manifold is being replaced.

INSTALLATION

NOTE: If the intake manifold is being replaced, install the EGR valve with new gasket.

(1) Clean both mating surfaces and install a new intake manifold gasket with the intake manifold. Guide the engine wiring harness and fuel lines through the intake manifold openings. Tighten manifold bolts to 16 N·m (142 lbs. in.) in a cross directional pattern beginning with the middle bolts and tightening outward to the ends.

(2) Raise and support the vehicle.

(3) Install the rear intake manifold bolts and tighten to 16 N·m (142 lbs. in.) (Fig. 70).

(4) Install the lower intake manifold support bracket. Tighten bolts to 20 N·m (177 lbs. in.) (Fig. 70).

(5) Lower the vehicle.

(6) Connect both fuel lines to fuel filter assembly (Refer to 14 - FUEL SYSTEM/FUEL DELIVERY/FUEL FILTER - INSTALLATION).

(7) Connect the coolant hose at the EGR valve (Fig. 69).

(8) Secure the engine wiring harness and cable duct to the intake manifold. Tighten fastener to 9N·m (80 in. lbs.).

(9) Connect the EGR wiring harness connector (Fig. 69).

(10) Connect the fuel pressure sensor electrical connector

(11) Install the fuel rail (Refer to 14 - FUEL SYSTEM/FUEL DELIVERY/FUEL RAIL - INSTALLATION).

NOTE: The high pressure fuel lines must be counter held when tightening to prevent damage.

(12) Install the high pressure fuel lines (Refer to 14 - FUEL SYSTEM/FUEL DELIVERY/FUEL LINES - INSTALLATION).

(13) Connect the charge air hose to the intake manifold (Fig. 69).

(14) Install the engine cover (Refer to 9 - ENGINE - INSTALLATION).

(15) Fill the cooling system.

(16) Connect the negative battery cable.

(17) Start the engine, run until warm, turn engine off and inspect for leaks. Care must be taken to observe the fuel system warning. (Refer to 14 - FUEL SYSTEM - WARNING).

EXHAUST MANIFOLD

REMOVAL

(1) Disconnect the negative battery cable.

(2) Remove the exhaust heat shield.

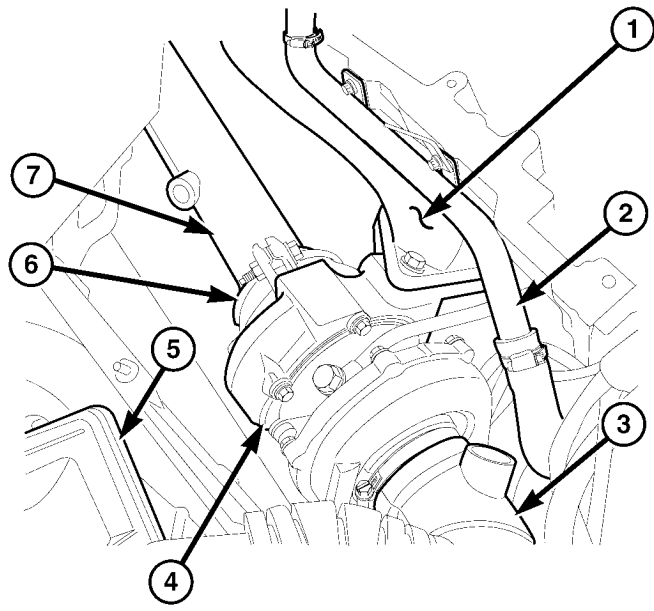
(3) Raise and support the vehicle.

(4) Remove the turbocharger support bracket.

(5) Loosen the exhaust pipe to engine bracket fasteners at the rear of the engine block.

(6) Remove the exhaust hanger fasteners at the muffler.

(7) Disconnect the front exhaust pipe to turbocharger fastener (Fig. 71).

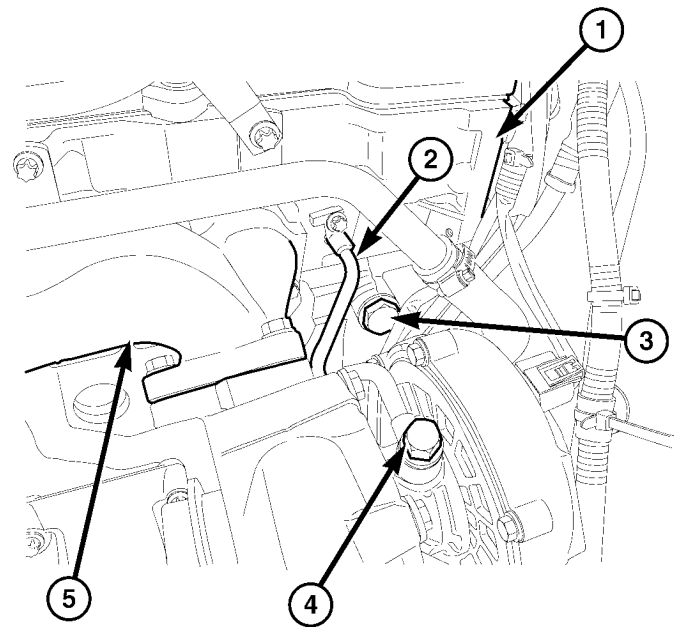


812d57e1

Fig. 71 TURBOCHARGER

- 1 - EXHAUST MANIFOLD
- 2 - HEATER PIPE
- 3 - AIR INLET TUBE
- 4 - TURBOCHARGER
- 5 - AIR CLEANER HOUSING
- 6 - EXHAUST CLAMP
- 7 - FRONT EXHAUST PIPE

- (8) Position the front exhaust pipe aside.
- (9) Lower the vehicle.
- (10) Remove the air cleaner housing hose from the turbocharger and position aside (Fig. 71).
- (11) Remove the turbocharger oil cooler lines (Fig. 72).



812d57de

Fig. 72 EXHAUST MANIFOLD

- 1 - CYLINDER HEAD
- 2 - TURBOCHARGER OIL COOLER LINE
- 3 - TIMING CHAIN TENSIONER
- 4 - BANJO BOLT
- 5 - EXHAUST MANIFOLD

- (12) Remove the turbocharger to exhaust manifold fasteners and remove turbocharger (Fig. 72).
- (13) Remove the self locking exhaust manifold fasteners (Fig. 72).
- (14) Remove exhaust manifold and clean mating surface.

INSTALLATION

NOTE: Exhaust manifold surface must be flat within 0.006 in. per foot (0.15mm per 300mm) of manifold length.

- (1) Inspect exhaust manifold gasket surface for flatness with a straight edge.
- (2) Inspect exhaust manifold for cracks or distortion.
- (3) Install new exhaust manifold gasket over the studs.
- (4) Position the exhaust manifold over to studs and tighten retaining nuts to 30 N·m (22 lbs.ft.).

NOTE: Replace the turbocharger oil cooler line banjo bolt seals before installing the oil cooler line.

- (5) Install turbocharger (Refer to 11 - EXHAUST SYSTEM/TURBOCHARGER SYSTEM/TURBOCHARGER - INSTALLATION).
- (6) Raise and support the vehicle.
- (7) Install the front exhaust pipe to turbocharger (Fig. 71).

- (8) Install the exhaust hanger fasteners at the muffler.
- (9) Tighten the exhaust hanger bracket to engine block.
- (10) Install the turbocharger support bracket.
- (11) Lower the vehicle.
- (12) Install the air cleaner duct to the turbocharger (Fig. 71).
- (13) Install the exhaust heat shield.
- (14) Connect the negative battery cable.

TIMING CHAIN COVER

REMOVAL

WARNING: DO NOT OPEN COOLING SYSTEM UNLESS TEMPERATURE IS BELOW 90°C (194°F). OPEN CAP SLOWLY TO RELEASE PRESSURE. STORE COOLANT IN APPROVED CONTAINER ONLY. RISK OF INJURY TO SKIN AND EYES FROM SCALDING COOLANT. WEAR PROTECTIVE GLOVES, CLOTHING AND EYE WEAR.

- (1) Disconnect negative battery cable.

NOTE: Rotate engine on crankshaft. DO NOT crank the engine at the bolt of the camshaft sprocket.

NOTE: DO NOT crank engine back.

(2) Position piston of cylinder 1 to ignition TDC. **Markings on the camshaft bearing cap must be aligned.**

(3) Drain coolant (Refer to 7 - COOLING/ENGINE/COOLANT - STANDARD PROCEDURE).

(4) Install retaining lock for crankshaft/starter ring gear (Refer to 9 - ENGINE/ENGINE BLOCK/FLEX PLATE - INSTALLATION).

(5) Drain engine oil.

(6) Remove the oil filter to allow the oil to flow off into the oil pan.

(7) Remove the radiator assembly (Refer to 7 - COOLING/ENGINE/RADIATOR - REMOVAL).

(8) Remove engine cover (Refer to 9 - ENGINE - REMOVAL).

(9) Remove front cover at cylinder head (Refer to 9 - ENGINE/CYLINDER HEAD - REMOVAL).

(10) Remove accessory drive belt.

(11) Remove the high pressure fuel pump (Refer to 14 - FUEL SYSTEM/FUEL DELIVERY/FUEL PUMP - REMOVAL).

(12) Remove water pump (Refer to 7 - COOLING/ENGINE/WATER PUMP - REMOVAL).

(13) Remove accessory drive belt pulley and vibration damper (Refer to 9 - ENGINE/ENGINE BLOCK/VIBRATION DAMPER - REMOVAL).

(14) Remove the power steering pump.

NOTE: NO NOT open the air conditioning system.

(15) Unplug AC compressor electrical connector and unbolt AC compressor. Relocate in lower engine compartment **with out** opening the system.

(16) Remove the generator with wiring attached and relocate somewhere in the engine compartment.

(17) Install engine support fixture.

(18) Remove the oil pan.

(19) Detach the coolant hose to oil-water heat exchanger at crankcase (Fig. 73).

(20) Remove the cylinder head to timing cover bolts (Fig. 73).

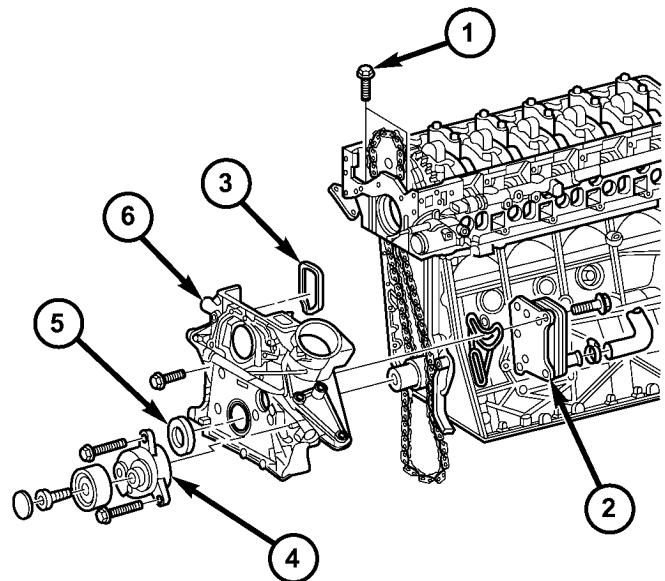
(21) Remove the timing cover bolts and cover (Fig. 73).

(22) Remove remaining ancillary components attached to the timing case cover (Fig. 73).

NOTE: Inspect condition of hoses and clamps, replace as necessary.

(23) Remove timing chain tensioner (Refer to 9 - ENGINE/VALVE TIMING/TIMING BELT/CHAIN AND SPROCKETS - REMOVAL)

(24) Remove timing case cover (Fig. 73).



81156085

Fig. 73 TIMING CHAIN COVER

- 1 - CYLINDER HEAD TO TIMING COVER BOLT
- 2 - OIL-WATER HEAT EXCHANGER
- 3 - GASKET
- 4 - DRIVE BELT TENSIONER
- 5 - FRONT CRANKSHAFT SEAL
- 6 - TIMING CHAIN COVER

INSTALLATION

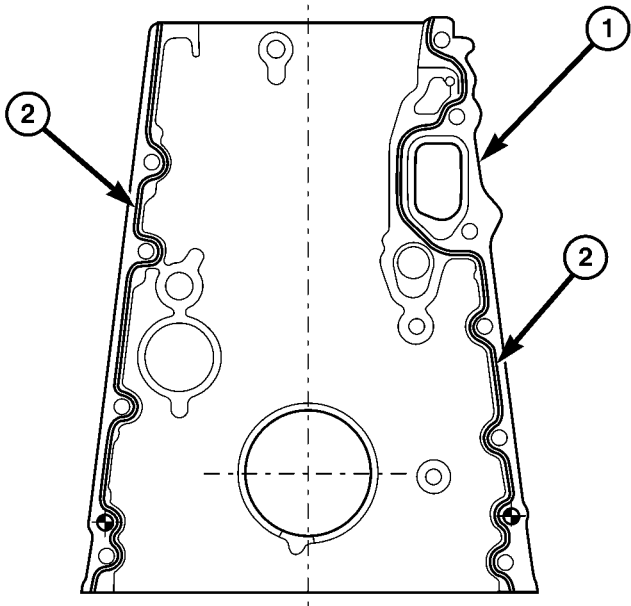
CAUTION: Care must be taken to closely inspect the gasket area around the timing case cover to cylinder head gasket coolant port. If damage is found, replace the cylinder head gasket. Failure to do so may result in engine damage.

NOTE: Thoroughly clean all mating surfaces with the appropriate solvents to assure that no grease or oil is present during assembly.

- (1) Inspect cylinder head gasket and oil pan gasket. If damaged, replace.
- (2) Replace the front crankshaft seal (Refer to 9 - ENGINE/ENGINE BLOCK/CRANKSHAFT OIL SEAL - FRONT - INSTALLATION).
- (3) Install ancillary components to timing case cover.
- (4) Apply sealant to the marked surfaces with a bead thickness of 1.5 ± 0.5 mm (Fig. 74).

NOTE: Install timing cover within 10 minutes after applying sealant. Do not spread sealant bead.

NOTE: Do not seal pressurized oil galleries to the crankcase. Sealant applied at these points is entrained by the oil flow and blocks the oil supply passages.



80e78510

Fig. 74 TIMING CHAIN COVER SEALING SURFACE

- 1 - TIMING CHAIN COVER
- 2 - SEALANT BEAD

(5) Position and install timing case cover. Tighten bolts to 20 N·m (177 lbs in) (Fig. 73).

(6) Install the M8 bolts of cylinder head on timing case cover. Tighten bolts to 20 N·m (177 lbs in) (Fig. 73).

(7) Install timing chain tensioner with new seal (Refer to 9 - ENGINE/VALVE TIMING/TMNG BELT/CHAIN TENSIONER&PULLEY - INSTALLATION).

(8) Position and install the oil pan. Tighten M6 bolts to 9 N·m (80 lbs in) and M8 bolts to 20 N·m (177 lbs in).

(9) Install belt /pulley vibration damper. Tighten M8.8 bolt in two stages, 200N·m (147 lbs ft.) then 90°, M10.9 bolt 325N·m (240 lbs ft) then 90°.

(10) Remove the engine support fixture.

(11) Install generator (Refer to 8 - ELECTRICAL/CHARGING/GENERATOR - INSTALLATION).

(12) Install the air conditioning compressor.

(13) Install the power steering pump.

(14) Install water pump (Refer to 7 - COOLING/ENGINE/WATER PUMP - INSTALLATION).

(15) Connect coolant hose to oil-water heat exchanger.

(16) Install high pressure fuel pump (Refer to 14 - FUEL SYSTEM/FUEL DELIVERY/FUEL PUMP - INSTALLATION).

(17) Apply sealant to lower portion of, and install, front cover to cylinder block. Tighten bolts to 20N·m (177 lbs in) (Refer to 9 - ENGINE/CYLINDER HEAD - INSTALLATION).

(18) Remove retaining lock for crankshaft/starter ring gear.

(19) Tighten the oil drain plug to 30N·m (265 lbs in).

(20) Install a new oil filter. tighten screw cap for filter to 25N·m (221 lbs. in.).

(21) Install the accessory drive belt.

(22) Install the radiator assembly (Refer to 7 - COOLING/ENGINE/RADIATOR - INSTALLATION).

(23) Install air intake hose.

(24) Fill coolant to the proper level, with the proper coolant (Refer to 7 - COOLING/ENGINE/COOLANT - STANDARD PROCEDURE).

(25) Fill the crankcase with the correct oil, to the proper level. Refer to owners manual for specifications.

(26) Connect the negative battery cable.

WARNING: USE EXTREME CAUTION WHEN THE ENGINE IS OPERATING. DO NOT STAND IN A DIRECT LINE WITH THE FAN. DO NOT PUT YOUR HANDS NEAR THE PULLEYS, BELTS OR FAN. DO NOT WEAR LOOSE CLOTHES.

CAUTION: DO NOT pressure test cooling system until the engine reaches operating temperature.

(27) Start engine and inspect for leaks. care must be taken to observe the fuel system warning (Refer to 14 - FUEL SYSTEM - WARNING).

TIMING CHAIN AND SPROCKETS

REMOVAL

REMOVAL - TENSIONING AND SLIDE RAILS

NOTE: If it necessary to replace the tensioning rail, slide rail or tensioning arm, they are always replaced together.

- (1) Disconnect negative battery cable.
- (2) Remove cylinder head (Refer to 9 - ENGINE/CYLINDER HEAD - REMOVAL).

NOTE: Remove timing case cover carefully. Care must be taken not to damage oil pan gasket.

- (3) Remove timing case cover (Refer to 9 - ENGINE/VALVE TIMING/TIMING BELT / CHAIN COVER(S) - REMOVAL).
- (4) Pull the tensioning rail off of the bearing pins (Fig. 75).
- (5) Release the spring at the slide rail and take it off of the tensioning arm (Fig. 75).

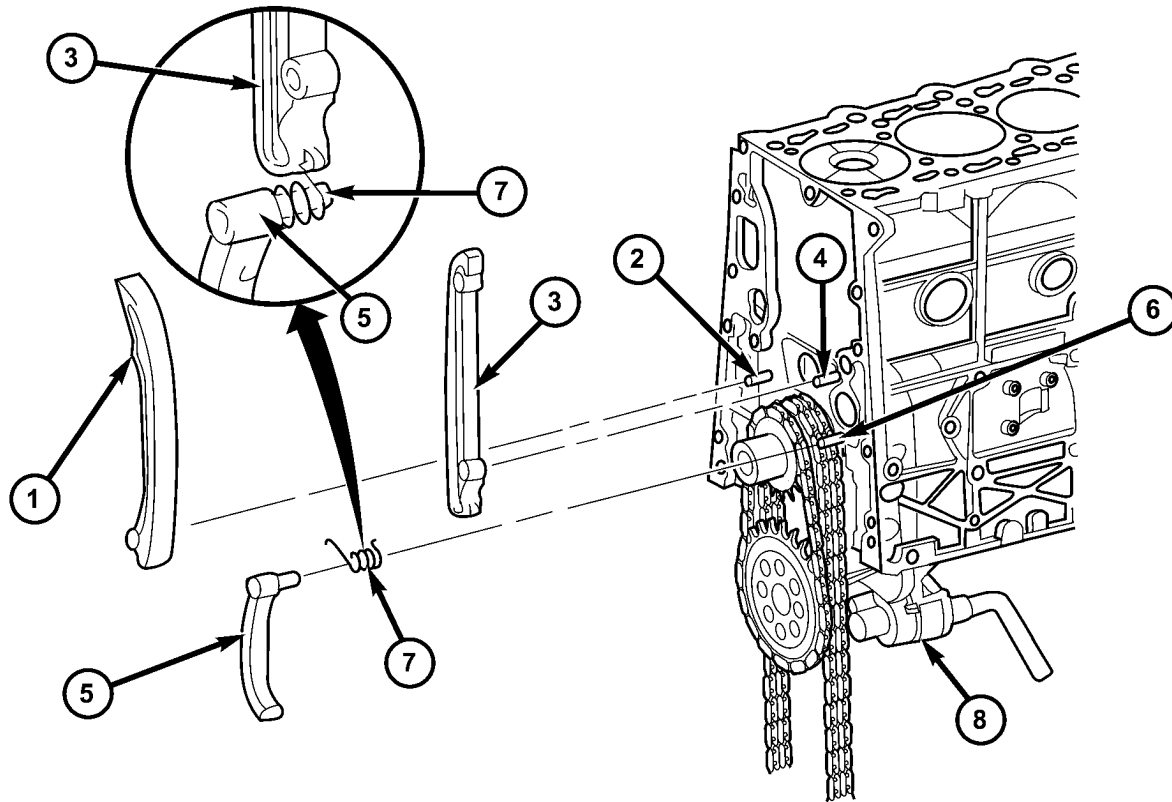


Fig. 75 TENSIONING AND SLIDE RAILS

81159f1e

1 - TENSIONING RAIL
2 - BEARING PIN
3 - SLIDE RAIL
4 - BEARING PIN

5 - TENSIONING CLAMP
6 - BEARING PIN
7 - SPRING
8 - OIL PUMP

REMOVAL - INTERMEDIATE GEAR

- (1) Disconnect negative battery cable.
- (2) Remove engine cover (Refer to 9 - ENGINE - REMOVAL).

WARNING: NO FIRE, FLAMES OR SMOKING. RISK OF POISONING FROM INHALING OR SWALLOWING FUEL. RISK OF INJURY TO EYES AND SKIN FROM CONTACT WITH FUEL. POUR FUELS ONLY INTO SUITABLE AND APPROPRIATELY MARKED CONTAINERS. WEAR PROTECTIVE CLOTHING.

(3) Remove fuel high pressure lines injectors (Refer to 14 - FUEL SYSTEM/FUEL INJECTION/FUEL INJECTOR - REMOVAL).

(4) Clean injectors and recesses (Refer to 14 - FUEL SYSTEM/FUEL INJECTION/FUEL INJECTOR - STANDARD PROCEDURE).

(5) Remove cylinder head cover (Refer to 9 - ENGINE/CYLINDER HEAD/CYLINDER HEAD COVER(S) - REMOVAL).

(6) Insert locking pin through first camshaft bearing cap into hole in inlet camshaft sprocket to lock inlet camshaft.

(7) Remove timing chain tensioner (Refer to 9 - ENGINE/VALVE TIMING/TIMING BELT/CHAIN AND SPROCKETS - REMOVAL).

(8) Remove high pressure pump (Refer to 14 - FUEL SYSTEM/FUEL DELIVERY/FUEL INJECTION PUMP - REMOVAL).

(9) Remove cylinder head front cover (Refer to 9 - ENGINE/CYLINDER HEAD - REMOVAL).

(10) Remove top slide rail (Refer to 9 - ENGINE/CYLINDER HEAD - REMOVAL).

NOTE: Note position of dowel pin for camshaft sprocket alignment during reassembly.

(11) Unbolt exhaust camshaft sprocket and remove.

(12) Remove the intake camshaft (Refer to 9 - ENGINE/CYLINDER HEAD/CAMSHAFT(S) - REMOVAL).

(13) Remove intermediate gear and bushing (Fig. 76).

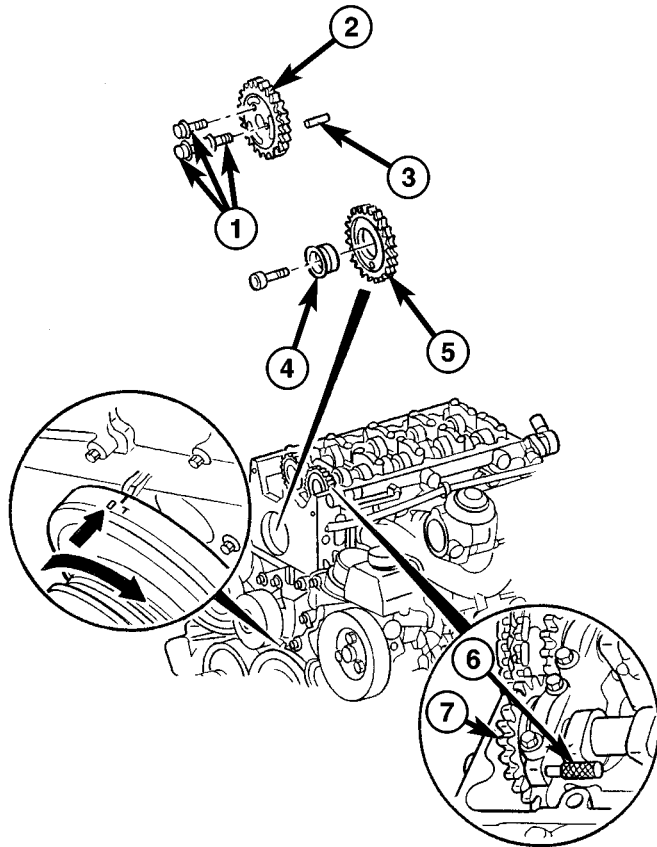


Fig. 76 HIGH PRESSURE PUMP INTERMEDIATE GEAR

- 1 - CAMSHAFT SPROCKET BOLTS
- 2 - INTAKE CAMSHAFT
- 3 - DOWEL PIN
- 4 - INTERMEDIATE GEAR BUSHING
- 5 - INTERMEDIATE GEAR
- 6 - CAMSHAFT LOCKING PIN #8929
- 7 - INTAKE CAMSHAFT SPROCKET

80e4971e

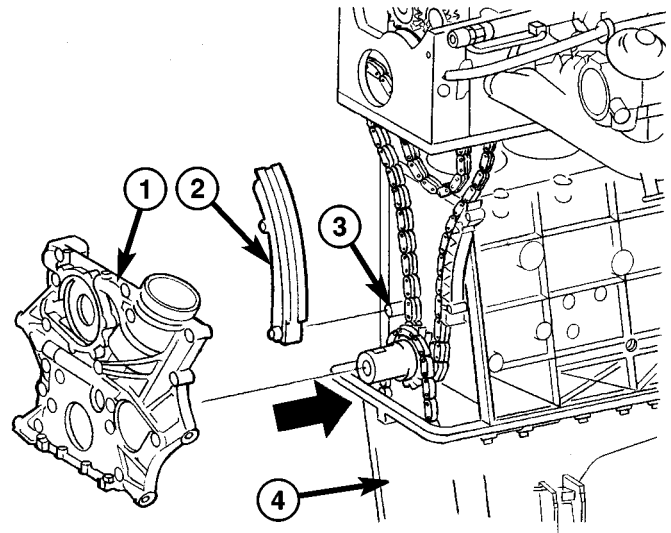
REMOVAL - TIMING CHAIN TENSIONING RAIL

- (1) Disconnect negative battery cable.
- (2) Remove cylinder head (Refer to 9 - ENGINE/CYLINDER HEAD - REMOVAL).

NOTE: Remove timing case cover carefully. Care must be taken not to damage oil pan gasket.

(3) Remove timing chain cover (Refer to 9 - ENGINE/VALVE TIMING/TIMING BELT / CHAIN COVER(S) - REMOVAL).

(4) Remove tensioning rail from bearing pin (Fig. 77).



80e49842

Fig. 77 TIMING CHAIN TENSIONING RAIL

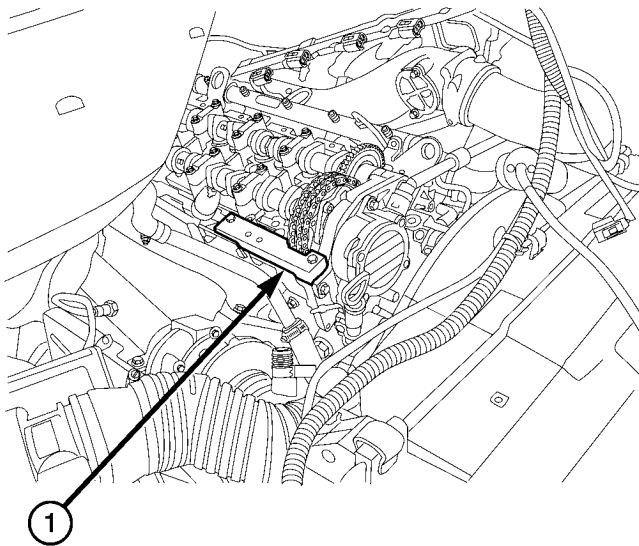
- 1 - TIMING CHAIN COVER
- 2 - TENSIONING RAIL
- 3 - BEARING PIN
- 4 - OIL PAN

REMOVAL - TIMING CHAIN

(1) Remove cylinder head cover (Refer to 9 - ENGINE/CYLINDER HEAD/CYLINDER HEAD COVER(S) - REMOVAL).

NOTE: Cover the timing chain area. Care must be taken not to drop any repair debris or pieces into the engine when separating the timing chain links.

(2) Install special tool # 9525 using two of the cylinder head cover bolts (Fig. 78).



813268b7

Fig. 78 SPECIAL TOOL 9525

1 - SPECIAL TOOL 9525

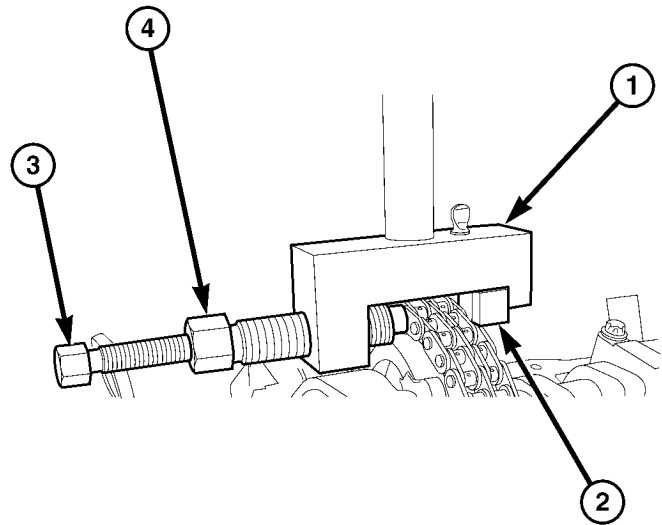
(3) Assemble special tool #9312-1 using 9312-3 and 9312-4. Install insert #9312-13 and retain with screw provided. (Fig. 79).

CAUTION: Care must be taken not to drop the timing chain plates into the engine once the timing chain is separated.

NOTE: When installing special tool #9312-1 onto timing chain link, be sure to back off the smaller nut of the thrust pin #9312-3 until the pin is recessed inside of the spindle, #9312-4. Screw the thrust spindle #9312-4 in until it is seated and aligned properly over the rivet of the timing chain.

NOTE: When fitting the thrust spindle, ensure that the thrust pin is positioned at the left timing chain pin of a chain link.

(4) Install special tool #9312 onto timing chain link (Fig. 79).



813268b5

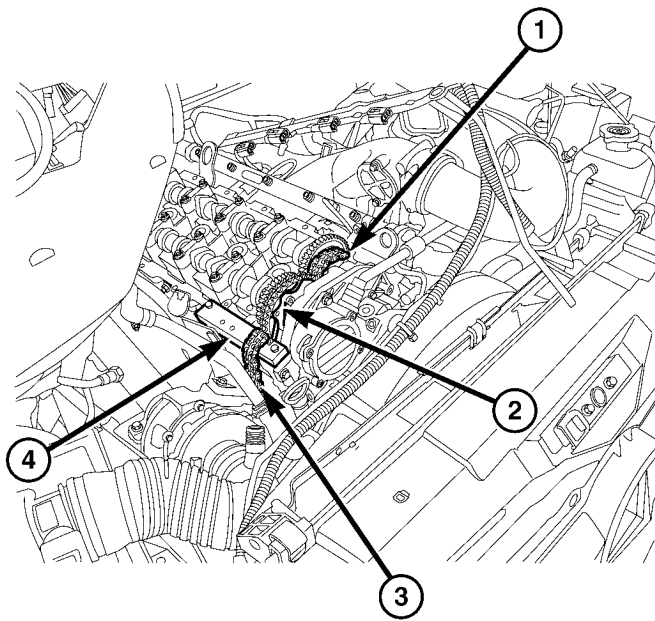
Fig. 79 SPECIAL TOOL #9312-1 WITH INSERT 9312-13

1 - SPECIAL TOOL #9312-1
2 - SPECIAL TOOL #9312-13 - INSERT
3 - SPECIAL TOOL #9312-3 - THRUST PIN
4 - SPECIAL TOOL #9312-4 - SPINDLE

NOTE: Cover the timing chain area. Care must be taken not to drop any repair debris or pieces into the engine when separating the timing chain links.

(5) Carefully turn the thrust pin #9312-3 of special tool #9312-1 clockwise while holding the handle until the rivet is pressed out and the chain is separated (Fig. 80). Discard the loose link and plates.

NOTE: One whole timing chain link must be removed.



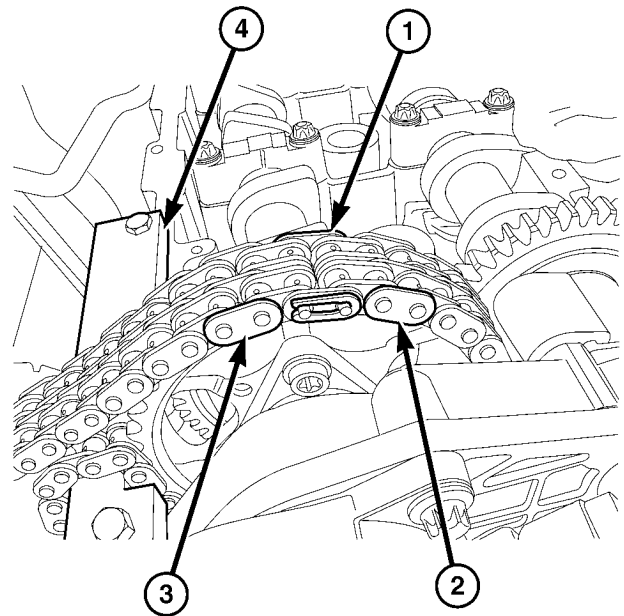
813268b3

Fig. 80 TIMING CHAIN SEPARATION

- 1 - LEFT TIMING CHAIN PORTION
- 2 - EXHAUST CAMSHAFT GEAR
- 3 - RIGHT TIMING CHAIN PORTION
- 4 - SPECIAL TOOL #9525

NOTE: Care must be taken not to drop any repair debris or pieces into the engine when separating the timing chain links.

(6) Connect new timing chain with the oil holes facing up, and old timing chain with the assembly link, assembly plate and locking element, and secure (Fig. 81).



813268b1

Fig. 81 TEMPORARY TIMING CHAIN LINK

- 1 - TEMPORARY TIMING CHAIN LINK
- 2 - LEFT TIMING CHAIN PORTION
- 3 - NEW TIMING CHAIN
- 4 - SPECIAL TOOL 9525

CAUTION: IT IS ESSENTIAL that the installation procedure for the timing chain is followed exactly. Failure to do so will result in severe engine damage.

INSTALLATION

INSTALLATION - TENSIONING AND SLIDE RAIL

NOTE: Carefully clean all mating surfaces with appropriate solvents to assure that no grease or oil is present during reassembly.

CAUTION: ENSURE THAT THE SPRING IS CORRECTLY INSTALLED ON THE TENSIONING CLAMP AND SLIDE RAIL.

- (1) Install rail on bearing pin (Fig. 75).
- (2) Install timing cover (Refer to 9 - ENGINE/ VALVE TIMING/TIMING BELT / CHAIN COVER(S) - INSTALLATION).
- (3) Install oil pan bolts. Tighten M6 bolts to 9N·m (80 lbs.in.) and M8 bolts to 20N·m (15 lbs. ft.).
- (4) Install cylinder head (Refer to 9 - ENGINE/ CYLINDER HEAD - INSTALLATION).
- (5) Reconnect negative battery cable.

WARNING: USE EXTREME CAUTION WHEN THE ENGINE IS OPERATING. DO NOT STAND IN A DIRECT LINE WITH THE FAN. DO NOT PUT YOUR HANDS NEAR THE PULLEYS, BELTS OR FAN. DO NOT WEAR LOOSE CLOTHES.

(6) Start the engine, allow to warm, turn engine off and inspect for leaks. Care must be taken to observe the fuel system warning (Refer to 14 - FUEL SYSTEM - WARNING).

INSTALLATION - INTERMEDIATE GEAR

NOTE: Refer to appropriate injector servicing procedures for cleaning of injectors and recesses.

(1) Install intermediate gear and bushing. Tighten bolt to 40N·m (30 lbs.ft.)

(2) Install the intake camshaft (Refer to 9 - ENGINE/CYLINDER HEAD/CAMSHAFT(S) - INSTALLATION).

(3) Install exhaust camshaft sprocket, noting dowel pin alignment. Tighten bolt to 18 N·m (159 lbs.in.).

WARNING: NO FIRE, FLAMES OR SMOKING. SERVICE VEHICLE IN WELL VENTILATED AREA. RISK OF INJURY FROM INHALING OR SWALLOWING FUEL. RISK OF INJURY TO EYES AND SKIN FROM CONTACT WITH FUEL. WEAR PROTECTIVE CLOTHING.

(4) Install high pressure pump (Refer to 14 - FUEL SYSTEM/FUEL DELIVERY/FUEL INJECTION PUMP - INSTALLATION).

(5) Install top slide rail (Refer to 9 - ENGINE/VALVE TIMING/TIMING BELT/CHAIN AND SPROCKETS - INSTALLATION).

(6) Install cylinder head front cover (Refer to 9 - ENGINE/CYLINDER HEAD - INSTALLATION).

(7) Install timing chain tensioner with new gasket (Refer to 9 - ENGINE/VALVE TIMING/TIMING BELT/CHAIN AND SPROCKETS - INSTALLATION).

NOTE: Inspect basic position of camshaft and reset if necessary (Refer to 9 - ENGINE/CYLINDER HEAD/CAMSHAFT(S) - STANDARD PROCEDURE).

(8) Remove camshaft locking pin.

(9) Install cylinder head cover (Refer to 9 - ENGINE/CYLINDER HEAD/CYLINDER HEAD COVER(S) - INSTALLATION).

WARNING: NO FIRE, FLAMES OR SMOKING. SERVICE VEHICLE IN WELL VENTILATED AREA. RISK OF INJURY FROM INHALING OR SWALLOWING FUEL. RISK OF INJURY TO EYES AND SKIN FROM

CONTACT WITH FUEL. WEAR PROTECTIVE CLOTHING.

(10) Install fuel high pressure lines and injectors (Refer to 14 - FUEL SYSTEM/FUEL INJECTION/FUEL INJECTOR - INSTALLATION).

(11) Install engine cover (Refer to 9 - ENGINE - INSTALLATION).

(12) Connect negative battery cable.

WARNING: USE EXTREME CAUTION WHEN THE ENGINE IS OPERATING. DO NOT STAND IN A DIRECT LINE WITH FAN. DO NOT PUT YOUR HANDS NEAR THE PULLEYS, BELTS OR FAN. DO NOT WEAR LOOSE CLOTHING.

(13) Start engine and inspect for leaks. Care must be taken to observe the fuel system warning (Refer to 14 - FUEL SYSTEM - WARNING).

INSTALLATION - TIMING CHAIN TENSIONING RAIL

NOTE: Carefully clean all mating surfaces with appropriate solvents to assure that no grease or oil is present during reassembly.

(1) Install tensioning rail on bearing pin

(2) Install timing cover (Refer to 9 - ENGINE/VALVE TIMING/TIMING BELT / CHAIN COVER(S) - INSTALLATION).

(3) Install oil pan and bolts. Tighten M6 bolts to 9N·m (80 lbs.in.) and M8 bolts to 20N·m (15 lbs. ft.).

(4) Install cylinder head (Refer to 9 - ENGINE/CYLINDER HEAD - INSTALLATION).

(5) Reconnect negative battery cable.

WARNING: USE EXTREME CAUTION WHEN THE ENGINE IS OPERATING. DO NOT PUT YOUR HANDS NEAR THE PULLEYS, BELTS OR FAN. DO NOT WEAR LOOSE CLOTHES.

(6) Start the engine and inspect for leaks. Care must be taken to observe the fuel system warning (Refer to 14 - FUEL SYSTEM - WARNING).

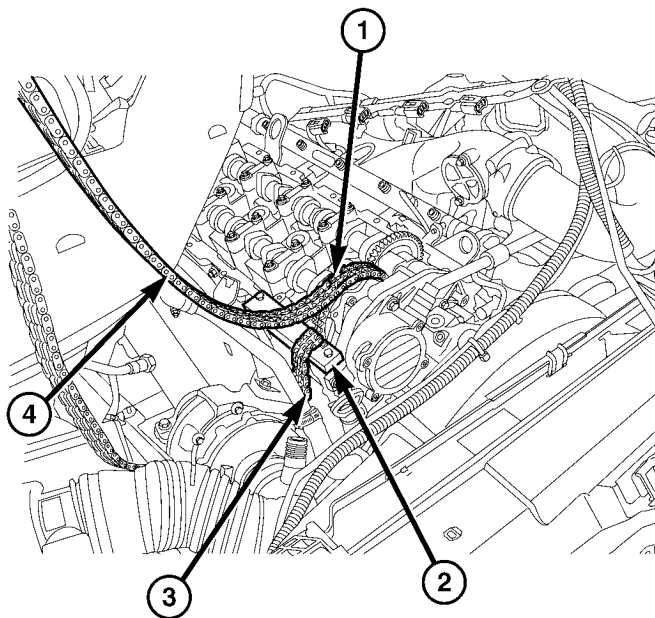
ADJUSTMENTS

INSTALLATION - TIMING CHAIN

CAUTION: IT IS ESSENTIAL that the installation procedure is followed exactly. Failure to do so will result in severe engine damage.

CAUTION: Cover timing case recesses to prevent foreign material from entering engine.

(1) Connect new timing chain, oil hole side up and old timing chain with the assembly link, the assembly plate and the assembly locking element, and secure (Fig. 82).



81327938

Fig. 82 OLD AND NEW TIMING CHAIN UNION

- 1 - TEMPORARY TIMING CHAIN LINK
- 2 - SPECIAL TOOL 9525
- 3 - OLD TIMING CHAIN
- 4 - NEW TIMING CHAIN

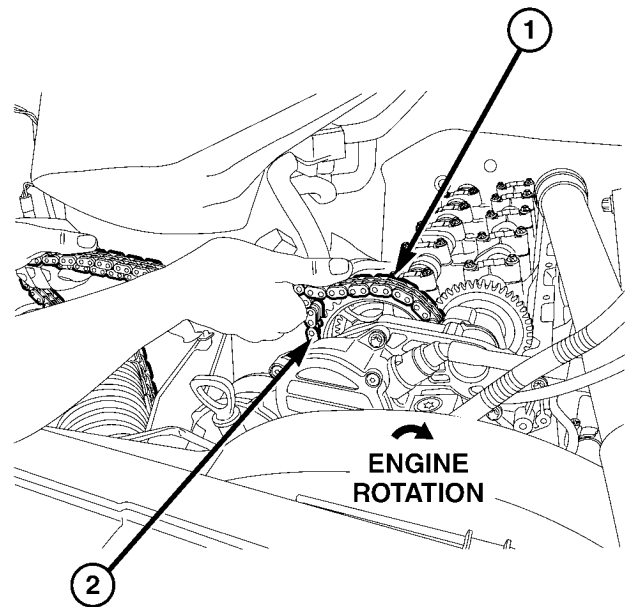
CAUTION: Always install the new timing chain with the oil holes pointing up. Failure to do so will result in severe engine damage.

NOTE: Always keep new timing chain meshed with camshaft sprocket.

CAUTION: DO NOT CRANK ENGINE and DO NOT ROTATE ENGINE BACKWARD. Engine rotation is clockwise, as you are looking at the engine. Rotate engine at crankshaft only.

NOTE: Draw out the end of old timing chain evenly as it becomes free, to the same extent that new timing chain is drawn in.

(2) Draw in new timing chain with the oil holes facing up, by rotating the crankshaft slowly in direction of rotation of engine. (Fig. 83).

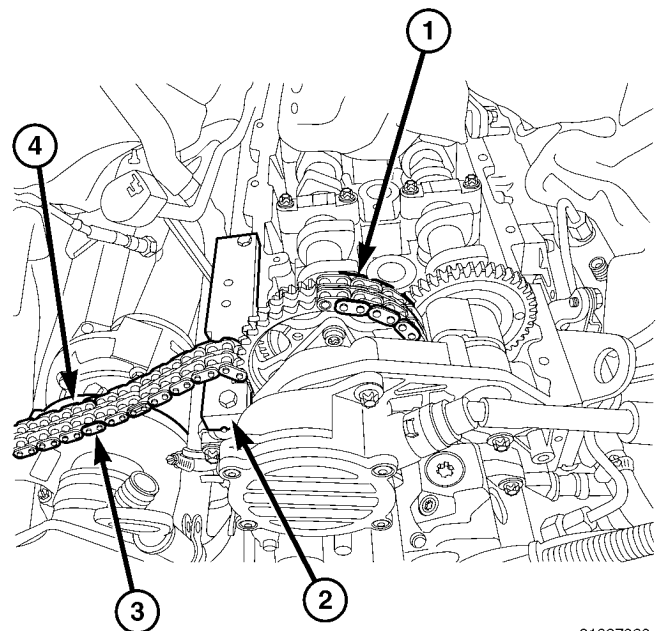


81327932

Fig. 83 TIMING CHAIN INSTALLATION

- 1 - NEW TIMING CHAIN
- 2 - OLD TIMING CHAIN

(3) Rotate the engine until the ends of the new timing chain meet and can be connected (Fig. 84).



81327929

Fig. 84 TIMING CHAIN ROTATION COMPLETE

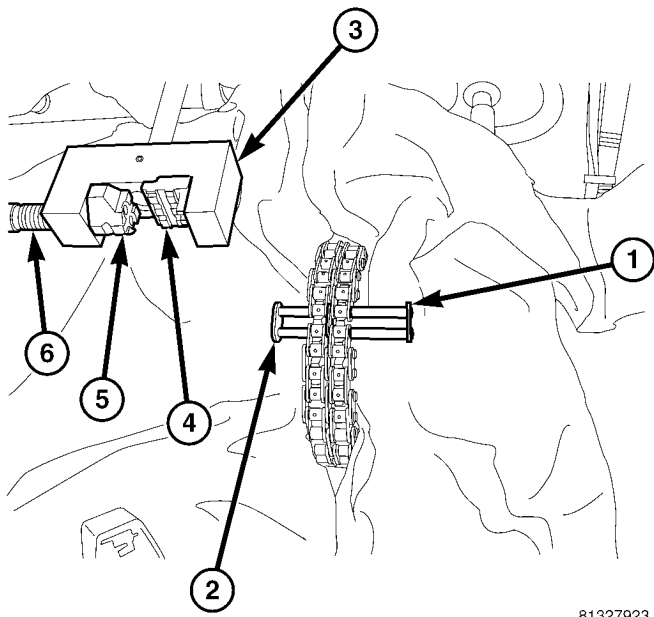
- 1 - NEW TIMING CHAIN
- 2 - SPECIAL TOOL #9525
- 3 - TEMPORARY LINK
- 4 - OLD TIMING CHAIN

NOTE: Assembly link is only an assembly aid and NOT designed for engine running.

(4) Remove assembly locking element, assembly outer plate and assembly link.

CAUTION: Cover timing case recesses to prevent foreign material from entering engine.

(5) Insert new riveted link with the oil hole up, and new middle plate into ends of timing chain using the guide link to hold the middle plate in position (Fig. 85).



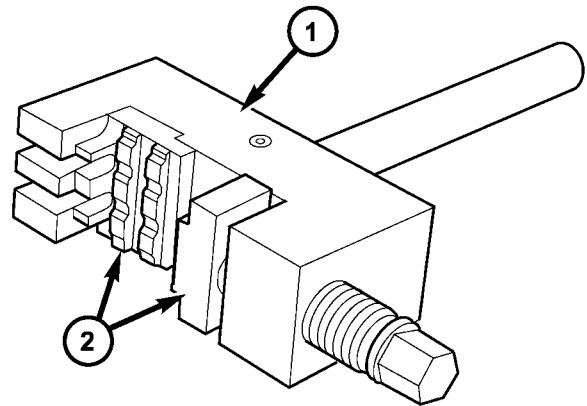
81327923

Fig. 85 INSERTING NEW TIMING CHAIN LINK

- 1 - GUIDE LINK
- 2 - NEW LINK
- 3 - SPECIAL TOOL #9312-1
- 4 - TOOL INSERT #9312-7
- 5 - TOOL INSERT #9312-10
- 6 - THRUST PIN #9312-4

NOTE: When assembling riveting tool, piece #9312-7 is secured by a screw and #9312-10 can move loosely on thrust spindle

(6) Assemble riveting tool by inserting pieces #9312-7 and #9312-10 (Fig. 86).



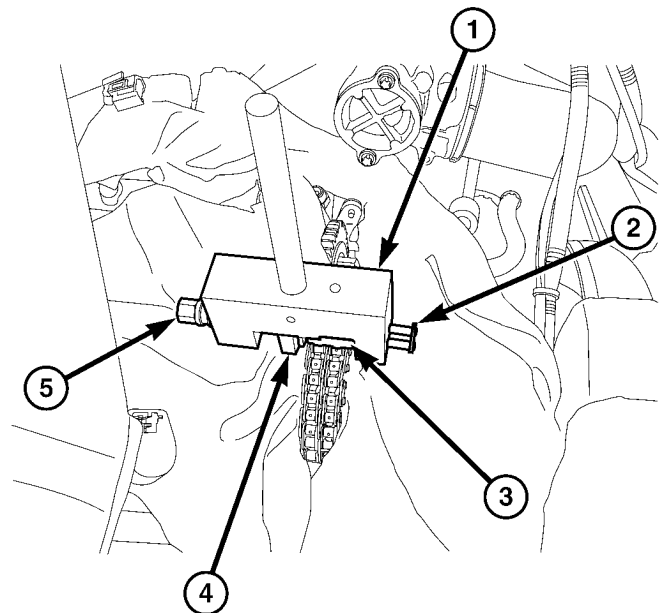
80e18a18

Fig. 86 INSTALLING ASSEMBLY INSERTS INTO RIVETING TOOL

- 1 - SPECIAL TOOL #9312-1
- 2 - SPECIAL TOOL #9312-7 and 9312-10

NOTE: Ensure that the riveted link and riveting tool are aligned.

(7) Press in new riveted link as far as the stop (Fig. 87).



8132791c

Fig. 87 PRESSING THE NEW LINK

- 1 - SPECIAL TOOL #9312-1
- 2 - GUIDE LINK
- 3 - SPECIAL TOOL INSERT #9312-7
- 4 - SPECIAL TOOL INSERT #9312-10
- 5 - THRUST SPINDLE #9312-4

(8) Remove guide link and riveting tool to change inserts.

(9) Install insert #9312-6 on riveting tool and secure with screw (Fig. 88).

(10) Install insert 9312-8 on riveting tool.

NOTE: The outer plate is held magnetically by riveting tool.

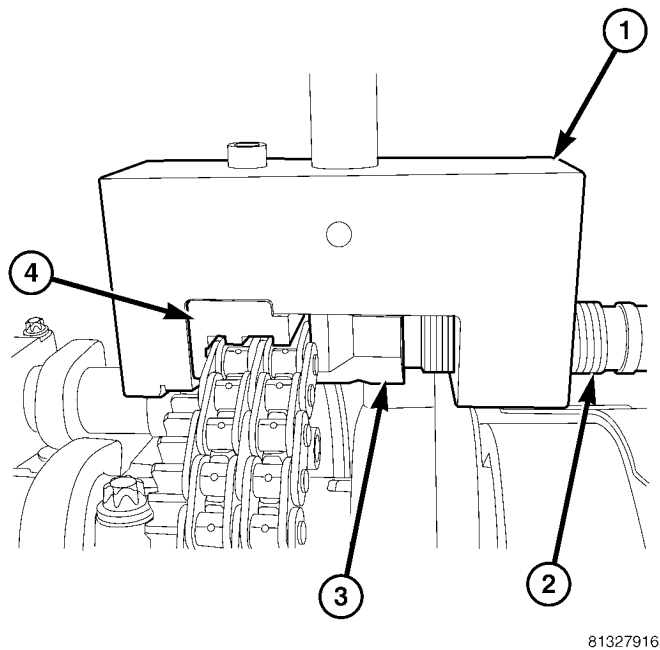
(11) Insert new outer plate into the moving assembly insert.

(12) Position riveting tool so that spacer webs of the guide are side by side (Fig. 88).

(13) Ensure that riveted link and outer plate are aligned.

NOTE: When turning spindle of riveting tool, be sure that pins of riveted link are inserted into holes of outer plate

(14) Screw in spindle of riveting tool until firm resistance is felt (Fig. 88).



81327916

Fig. 88 OUTER PLATE INSTALLATION

- 1 - SPECIAL TOOL #9312-1
- 2 - THRUST SPINDLE #9312-4
- 3 - TOOL INSERT #9312-8
- 4 - TOOL INSERT #9312-6

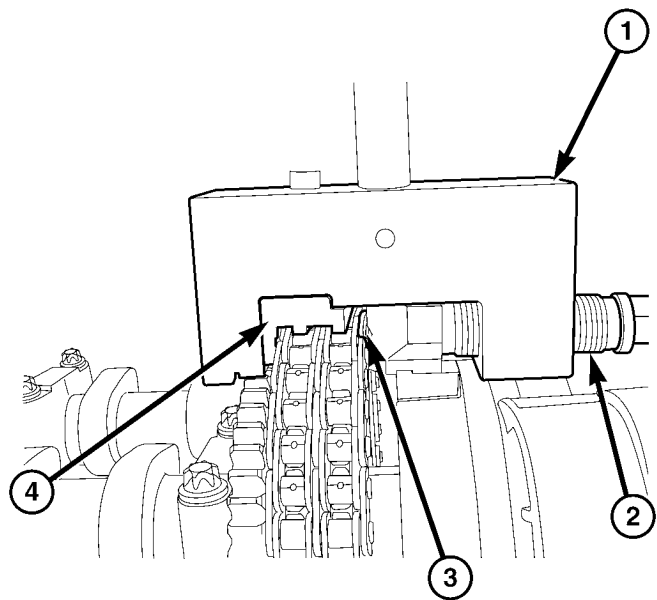
(15) Remove riveting tool.

(16) Install moving assembly insert #9312-11 to #9312-1.

(17) Position riveting tool exactly over middle of pin.

(18) Tighten riveting tool spindle to end of travel (Fig. 89).

(19) Repeat procedure for both riveting pins (Fig. 89).

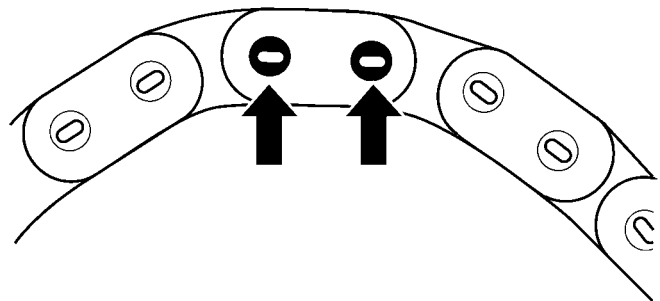


8132790f

Fig. 89 RIVETING THE LINK PINS

- 1 - SPECIAL TOOL #9312-1
- 2 - THRUST SPINDLE
- 3 - RIVETING PROFILE
- 4 - INSERT 9312-6

(20) Inspect riveting, re-rivet if required (Fig. 90).



80e1834d

Fig. 90 RIVET INSPECTION

(21) Install cylinder head cover (Refer to 9 - ENGINE/CYLINDER HEAD/CYLINDER HEAD COVER(S) - INSTALLATION).

(22) Install engine cover (Refer to 9 - ENGINE - INSTALLATION).

(23) Connect negative battery cable.

(24) Start engine and inspect for leaks. Care must be taken to observe the fuel system warning (Refer to 14 - FUEL SYSTEM - WARNING).

TIMING CHAIN TENSIONER

REMOVAL

- (1) Disconnect negative battery cable.

CAUTION: Rotate engine at crankshaft only. DO NOT rotate the engine with the bolt of the camshaft sprocket. DO NOT rotate the engine counter clockwise.

NOTE: Markings on the camshaft and camshaft bearing cap must be aligned.

- (2) Position piston of number 1 cylinder to ignition TDC.
- (3) Remove intake air duct.
- (4) Remove accessory drive belt and idler pulley above generator (Refer to 7 - COOLING/ACCESSORY DRIVE/DRIVE BELTS - REMOVAL).
- (5) Remove timing chain tensioner (Fig. 91).

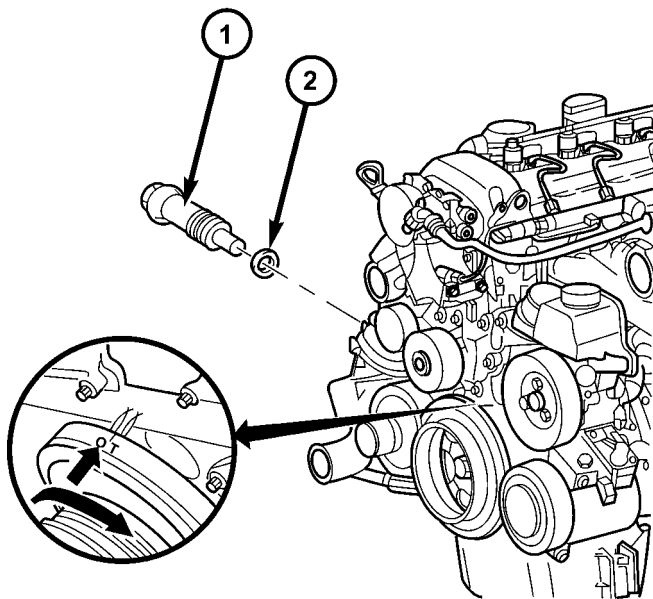
- (2) Install idler pulley and accessory drive belt (Refer to 7 - COOLING/ACCESSORY DRIVE/DRIVE BELTS - INSTALLATION).

- (3) Install intake air duct.

- (4) Reconnect negative battery cable.

WARNING: USE EXTREME CAUTION WHEN THE ENGINE IS OPERATING. DO NOT PUT YOUR HANDS NEAR THE PULLEYS, BELTS OR FAN. DO NOT WEAR LOOSE CLOTHES.

- (5) Start the engine and inspect for leaks.



80e1dc4f

Fig. 91 TIMING CHAIN TENSIONER

- 1 - TIMING CHAIN TENSIONER
2 - TIMING CHAIN TENSIONER SEAL

INSTALLATION

NOTE: Carefully clean all mating surfaces with appropriate solvents to assure that no grease or oil is present during reassembly.

- (1) Install timing chain tensioner with new gasket. Tighten to 80N-m (59 lbs.ft.).

EXHAUST SYSTEM

TABLE OF CONTENTS

	page		page
EXHAUST SYSTEM		OPERATION	5
DESCRIPTION - 2.7L DIESEL	1	DIAGNOSIS AND TESTING - CHARGE AIR	
DIAGNOSIS AND TESTING - DIESEL ENGINE ..	2	COOLER SYSTEM - LEAKS	5
CATALYTIC CONVERTER		REMOVAL	5
REMOVAL	3	CLEANING	5
INSTALLATION	3	INSPECTION	6
EXHAUST PIPE		INSTALLATION	6
REMOVAL	3	TURBOCHARGER	
INSTALLATION	3	DESCRIPTION	6
TAILPIPE		OPERATION	6
REMOVAL	3	REMOVAL	7
INSTALLATION	3	REMOVAL - VACUUM TRANSDUCER	8
TURBOCHARGER SYSTEM		INSTALLATION	8
DESCRIPTION	3	INSTALLATION - VACUUM TRANSDUCER ...	9
OPERATION	4		
CHARGE AIR COOLER AND PLUMBING			
DESCRIPTION	4		

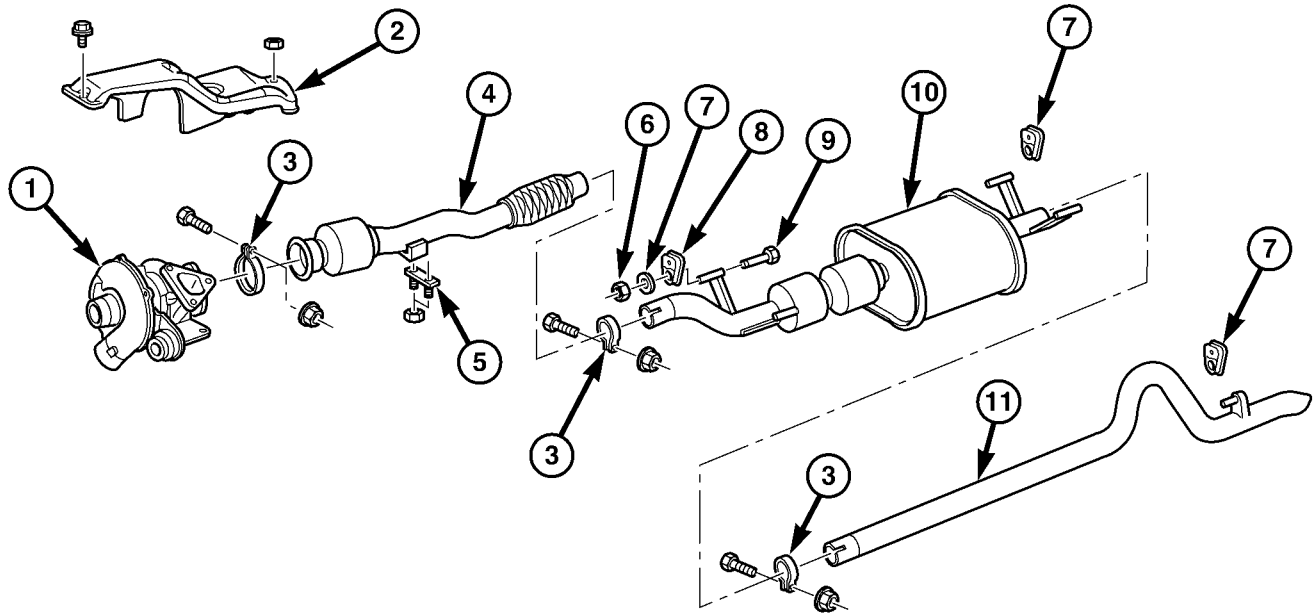
EXHAUST SYSTEM

DESCRIPTION - 2.7L DIESEL

CAUTION: Avoid application of rust prevention compounds or undercoating materials to exhaust system floor pan exhaust heat shields. Light overspray near the edges is permitted. Application of coating will result in excessive floor pan temperatures and objectionable fumes.

The diesel engine exhaust system consists of an engine exhaust manifold, turbocharger, exhaust pipe, resonator, extension pipe (if needed), muffler and exhaust tailpipe (Fig. 1).

The exhaust system must be properly aligned and secured to prevent stress, leakage and body contact. The exhaust components should be kept a minimum of 25.4 mm (1.0 in.) away from the body and frame. If the system contacts any body panel, it may amplify objectionable noises from the engine or body.



810ade9a

Fig. 1 Exhaust System

- 1 - TURBOCHARGER
- 2 - HEAT SHIELD
- 3 - CLAMP
- 4 - EXHAUST PIPE
- 5 - FRONT INSULATOR
- 6 - NUT

- 7 - WASHER
- 8 - INSULATOR
- 9 - BOLT
- 10 - MUFFLER/CATALYTIC CONVERTER ASSEMBLY
- 11 - TAILPIPE

DIAGNOSIS AND TESTING - DIESEL ENGINE

EXHAUST SYSTEM DIAGNOSIS CHART

CONDITION	POSSIBLE CAUSE	CORRECTION
EXCESSIVE EXHAUST NOISE OR LEAKING EXHAUST GASES	1. Leaks at pipe joints. 2. Rusted or expanded muffler. 3. Broken or rusted exhaust pipe. 4. Exhaust pipe leaking at manifold flange. 5. Exhaust manifold cracked or broken. 6. Leak between exhaust manifold and cylinder head. 7. Turbocharger mounting flange cracked. 8. Restriction in exhaust system.	1. Tighten/replace clamps/bolts at leaking joints. 2. Replace muffler. Inspect exhaust system. 3. Replace exhaust pipe. 4. Tighten/replace flange attaching nuts/bolts. 5. Replace exhaust manifold. 6. Tighten/replace exhaust manifold to cylinder head bolts. 7. Remove turbocharger and inspect. 8. Remove restriction, if possible. Replace restricted part if necessary.

CATALYTIC CONVERTER

REMOVAL

- (1) Raise and support the vehicle.
- (2) Saturate the clamp nuts with heat valve lubricant. Allow 5 minutes for penetration. Remove the rear clamp. (Fig. 1)
- (3) Saturate the clamp nuts with heat valve lubricant. Allow 5 minutes for penetration. Remove the front clamp.
- (4) Remove the catalytic converter and muffler assembly from the isolators.
- (5) Separate the catalytic converter and muffler assembly from the tailpipe and the exhaust pipe.
- (6) Remove the catalytic converter and muffler assembly and isolators from the vehicle.
- (7) Remove the bolt, nut and front isolator from the catalytic converter and muffler assembly.
- (8) Remove the rear isolator from the catalytic converter and muffler assembly.
- (9)

INSTALLATION

- (1) Install bolt, front isolator and nut (Fig. 1).
- (2) Install rear insulator onto the catalytic converter and muffler assembly
- (3) Position the catalytic converter and muffler assembly into the exhaust pipe and tailpipe until alignment tab is inserted into the alignment slot.
- (4) Install the front and rear insulators.
- (5) Install the rear clamp.
- (6) Install the front clamp.
- (7) Lower vehicle.
- (8) Start the vehicle and inspect for exhaust leaks. Repair exhaust leaks as necessary.
- (9) Check the exhaust system for contact with the body panels. Make necessary adjustments, if necessary.

EXHAUST PIPE

REMOVAL

- (1) Raise and support the vehicle.
- (2) Saturate the clamp nuts with heat valve lubricant. Allow 5 minutes for penetration. Remove the front and rear clamp (Fig. 1).
- (3) Remove the mounting bracket nuts.
- (4) Remove the exhaust pipe.

INSTALLATION

- (1) Position the exhaust pipe into the exhaust pipe into the catalytic converter and muffler assembly until alignment tab is inserted into the alignment slot.
- (2) Install mounting bracket and nuts (Fig. 1).
- (3) Install clamp.

- (4) Lower the vehicle.
- (5) Start the vehicle and inspect for exhaust leaks. Repair exhaust leaks as necessary.
- (6) Check the exhaust system for contact with the body panels. Make necessary adjustments, if necessary.

TAILPIPE

REMOVAL

- (1) Raise and support the vehicle.
- (2) Saturate the clamp nuts with heat valve lubricant. Allow 5 minutes for penetration (Fig. 1).
- (3) Remove the clamp.
- (4) Remove the tailpipe and insulator from the vehicle
- (5) Remove the insulator from the tailpipe.

INSTALLATION

- (1) Position the tail pipe into the catalytic converter and muffler assembly until alignment tab is inserted into the alignment slot.
- (2) Install the insulator.
- (3) Install the clamp.
- (4) Lower the vehicle.
- (5) Start the vehicle and inspect for exhaust leaks. Repair exhaust leaks as necessary.
- (6) Check the exhaust system for contact with the body panels. Make necessary adjustments, if necessary.

TURBOCHARGER SYSTEM

DESCRIPTION

CAUTION: The turbocharger is a performance part and must not be tampered with. The boost pressure bracket is an integral part of the turbocharger. Tampering with the boost pressure components can reduce durability by increasing cylinder pressure and thermal loading due to incorrect inlet and exhaust manifold pressure. Poor fuel economy and failure to meet regulatory emissions laws may result. Increasing the turbocharger boost WILL NOT increase engine power.

The turbocharger used on this vehicle is of the variable turbine type. These turbochargers use the entire exhaust energy to boost efficiency of the turbocharger and the engine.

The advantages of a turbocharger with variable turbine geometry are:

- Higher charge pressure already in the lower and in upper engine speed ranges.
- Higher torque as a result of improved cylinder charge.

- Reduction in exhaust emissions as a result of an improvement in the air supply of the engine.
- Increased power output as a result of the higher charge pressure combined with a reduced exhaust backpressure and thus improved charge cycle.

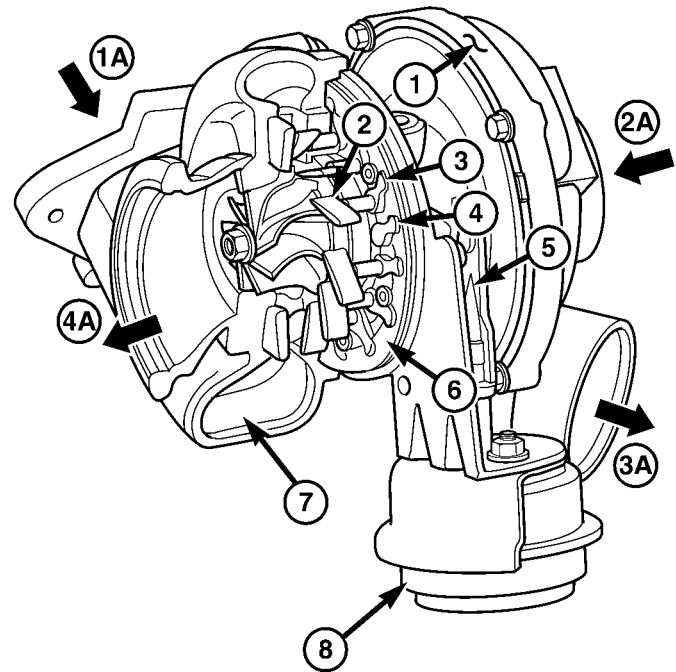
OPERATION

The exhaust gases of the engine are directed through the exhaust manifold into the turbine housing onto the turbine wheel (Fig. 2). The flow energy of the exhaust gases cause the turbine wheel to rotate. Consequently, the compressor wheel, which is connected through the turbine shaft with the turbine wheel, is driven at the same speed. The fresh air inducted by the compressor wheel is compressed and passed to the engine (Fig. 2).

The charge pressure is controlled by varying the position of the guide vanes (Fig. 2). The guide stud of the control linkage of the boost pressure actuator turns the adjusting ring in the turbine housing (Fig. 2). As a result, all the guide vanes whose guide studs likewise mesh into the adjusting ring, are also turned (Fig. 2).

At low speeds, the flow cross-section is reduced by closing the guide vanes (Fig. 2). Consequently the speed at which the exhaust gas impacts on the turbine wheel is increased, as a result of which the speed of the turbocharger and thus the charge pressure rises.

At high engine speeds the guide vanes are increasingly opened and the flow cross-section is thus enlarged, as a result of which the speed of the turbocharger reduces and the charge pressure drops.



80e3f9dd

Fig. 2 TURBOCHARGER COMPONENTS

- 1 - COMPRESSOR HOUSING
- 2 - GUIDE VANE
- 3 - GUIDE STUD OF GUIDE VANE
- 4 - GUIDE STUD OF CONTROL LINKAGE
- 5 - CONTROL LINKAGE
- 6 - ADJUSTING RING
- 7 - TURBINE HOUSING
- 8 - BOOST PRESSURE CONTROL UNIT
- 1A - EXHAUST GASES TO TURBINE WHEEL
- 2A - TURBO INLET (FRESH AIR)
- 3A - TURBO OUTLET (COMPRESSED AIR)
- 4A - EXHAUST OUTLET

CHARGE AIR COOLER AND PLUMBING

DESCRIPTION

The charge air system consists of the charge air cooler and charge air cooler piping.

The charge air cooler is a heat exchanger that uses air flow from vehicle motion to dissipate heat from the intake air. As the turbocharger increases air pressure, the air temperature increases. Lowering the intake air temperature increases engine efficiency and power.

OPERATION

Intake air is drawn through the air cleaner and into the turbocharger compressor housing. Pressurized air from the turbocharger then flows forward through the charge air cooler located in front of the radiator. From the charge air cooler the air flows back into the intake manifold.

DIAGNOSIS AND TESTING - CHARGE AIR COOLER SYSTEM - LEAKS

NOTE: Slight engine oil pooling in the charge air inlet hose IS NOT premature turbocharger failure. Slight pooling is the normal result of the breather system. Test the air breather tube for normal operation by referring to the appropriate diagnostic manual.

Low turbocharger boost pressure and low engine performance can be caused by leaks in the charge air cooler or it's plumbing. The following procedure outlines how to check for leaks in the charge air cooler system.

(1) Loosen clamp and remove turbocharger to air inlet duct rubber sleeve from turbocharger.

(2) Insert Special Tool 8442 Adapter into the rubber sleeve. Tighten existing clamp to 8 N-m (72 in.lbs.).

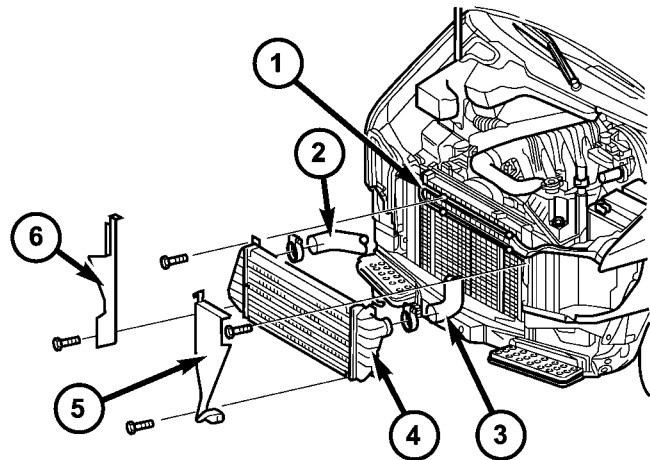
CAUTION: Do not apply more than 138 kpa (20 psi) air pressure to the charge air cooler system, sever damage to the charge air cooler system may occur.

(3) Connect regulated air supply to air fitting on Special Tool 8442 Adapter. Set air pressure to a Maximum of 138 kpa (20 psi).

(4) Using soapy water check the air inlet ducts, rubber sleeves, charge air cooler and intake manifold for leaks.

REMOVAL

- (1) Remove front bumper.
- (2) Remove headlamp assemblies.
- (3) Remove front cross member together with front grille.
- (4) Remove left and right radiator trim (Fig. 3).
- (5) Disconnect charge air hoses at charge air cooler (Fig. 3).
- (6) Disconnect power steering cooler loop from charge air cooler (Fig. 3).
- (7) Remove charge air cooler from radiator assembly (Fig. 3).



810afd4f

Fig. 3 CHARGE AIR COOLER

- 1 - POWER STEERING COOLER LOOP
- 2 - CHARGE AIR HOSE
- 3 - CHARGE AIR COOLER HOSE
- 4 - CHARGE AIR COOLER
- 5 - LEFT RADIATOR TRIM PANEL
- 6 - RIGHT RADIATOR TRIM PANEL

CLEANING

CAUTION: Do not use caustic cleaners to clean the charge air cooler. Damage to the charge air cooler will result.

NOTE: If internal debris cannot be removed from the cooler, the charge air cooler **MUST** be replaced.

- (1) If the engine experiences a turbocharger failure or any other situation where oil or debris get into the charge air cooler, the charge air cooler must be cleaned internally.
- (2) Position the charge air cooler so the inlet and outlet tubes are vertical.
- (3) Flush the cooler internally with solvent in the direction opposite of normal air flow.
- (4) Shake the cooler and lightly tap on the end tanks with a rubber mallet to dislodge trapped debris.
- (5) Continue flushing until all debris or oil are removed.
- (6) Rinse the cooler with hot soapy water to remove any remaining solvent.
- (7) Rinse thoroughly with clean water and blow dry with compressed air.

INSPECTION

Visually inspect the charge air cooler for cracks, holes, or damage. Inspect the tubes, fins, and welds for tears, breaks, or other damage. Replace the charge air cooler if damage is found.

Pressure test the charge air cooler, using Charge Air Cooler Tester Kit.

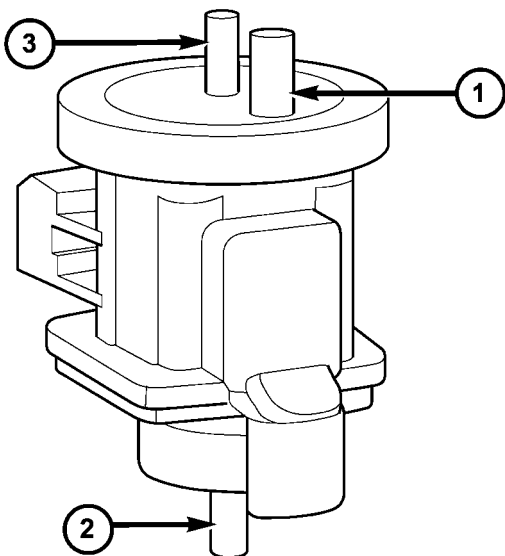
INSTALLATION

- (1) Install charge air cooler to radiator (Fig. 3).
- (2) Connect power steering cooler loop to charge air cooler (Fig. 3).
- (3) Connect charge air hoses (Fig. 3).
- (4) Install both radiator trim pieces (Fig. 3).
- (5) Install front grille with front cross member.
- (6) Install headlamp assemblies.
- (7) Install front bumper.

TURBOCHARGER

DESCRIPTION

The boost pressure vacuum solenoid is located under the air filter housing and is responsible for turbo-charger boost pressure. It generates a control vacuum in response to a PWM signal from the ECM. Vacuum is achieved by mixing the system vacuum (from the vacuum pump) with atmospheric pressure to a certain degree. The resulting vacuum is sent to the vacuum unit at the turbocharger (Fig. 4).



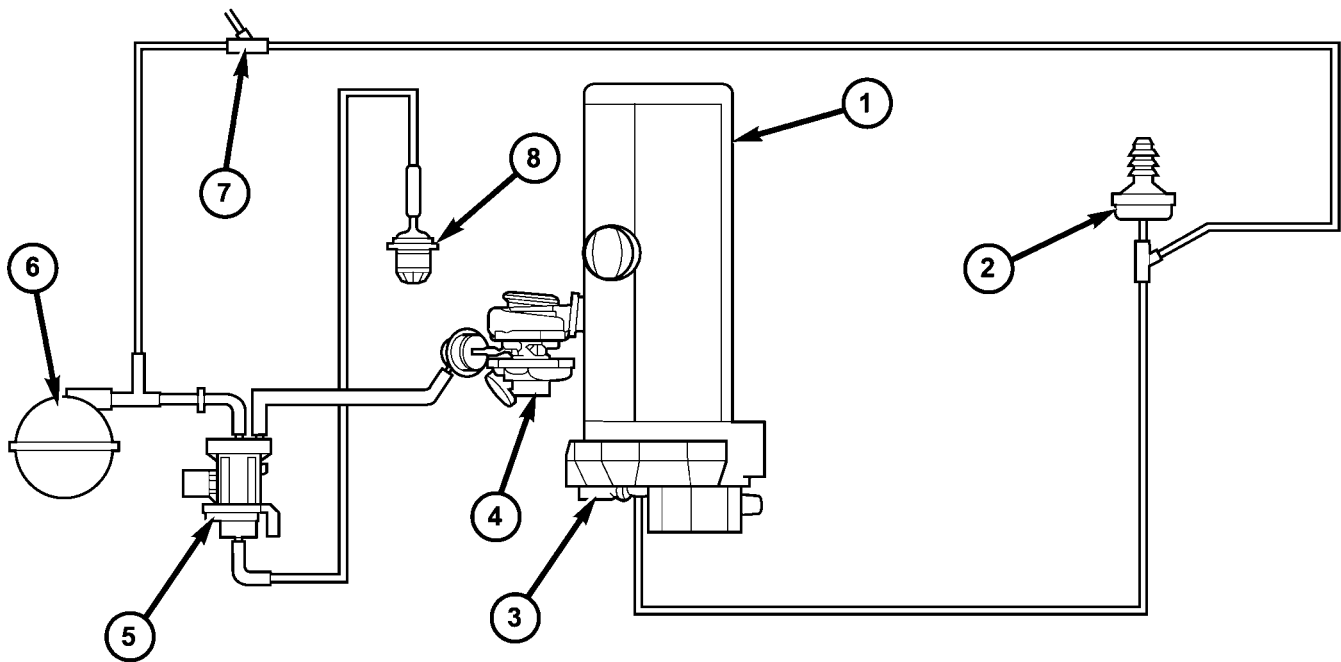
8109a56b

Fig. 4 CHARGE PRESSURE VACUUM TRANSDUCER

- 1 - CONNECTION TO TURBOCHARGER VACUUM UNIT
- 2 - VENT
- 3 - SUPPLY FROM VACUUM PUMP

OPERATION

The vacuum solenoid receives 12V from the ECM. The ECM controls the solenoid through a PWM signal. When the solenoid receives a signal it closes the passage to atmospheric pressure. The subchamber is no longer under atmospheric pressure, it's spring can push the diaphragm and valve downwards; this releases the VAC duct. Vacuum can now go from here through the throttle hole, filters and out the connection to the turbocharger vacuum unit (Fig. 5).



810afe11

Fig. 5 TURBOCHARGER VACUUM ROUTING

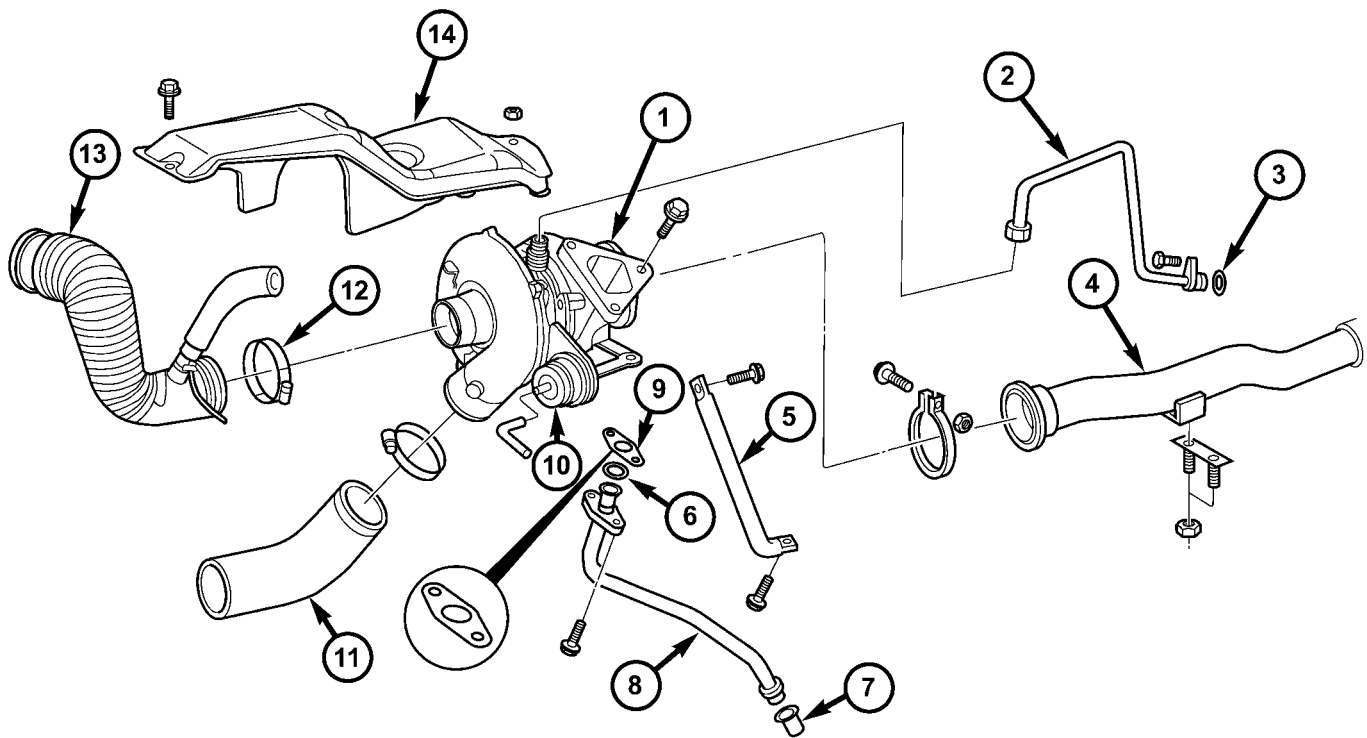
- | | |
|-------------------------------|-------------------------------|
| 1 - ENGINE | 5 - VACUUM SOLENOID |
| 2 - BRAKE BOOSTER CHECK VALVE | 6 - VACUUM RESERVOIR |
| 3 - VACUUM PUMP | 7 - ACCESSORY VACUUM JUNCTION |
| 4 - TURBOCHARGER | 8 - FILTER |

REMOVAL

REMOVAL

NOTE: Capture any fluid spillage and store in an appropriately marked and suitable containers.

- (1) Disconnect the negative battery cable.
- (2) Remove the heat shield (Fig. 6).
- (3) Separate the front exhaust pipe from the turbocharger (Fig. 6)
- (4) Separate the charge air and intake air hoses at the turbocharger (Fig. 6).
- (5) Remove the vacuum line from the turbocharger vacuum unit (Fig. 6).
- (6) Separate the oil supply at the cylinder head and turbocharger (Fig. 6).
- (7) Separate the oil return flow line at the turbocharger (Fig. 6).
- (8) Remove the turbocharger support bracket (Fig. 6).
- (9) Remove turbocharger from exhaust manifold (Fig. 6).



810b028d

Fig. 6 TURBOCHARGER

- | | |
|------------------------|----------------------|
| 1 - TURBOCHARGER | 8 - OIL RETURN LINE |
| 2 - OIL SUPPLY LINE | 9 - GASKET |
| 3 - O-RING | 10 - VACUUM UNIT |
| 4 - FRONT EXHAUST PIPE | 11 - CHARGE AIR HOSE |
| 5 - BRACKET | 12 - CLAMP |
| 6 - O-RING | 13 - AIR INTAKE HOSE |
| 7 - GASKET | 14 - HEAT SHIELD |

REMOVAL - VACUUM TRANSDUCER

- (1) Disconnect the negative battery cable.
- (2) Remove the air cleaner housing (Refer to 9 - ENGINE/AIR INTAKE SYSTEM/AIR CLEANER HOUSING - REMOVAL).
- (3) Disconnect the electrical connector.
- (4) Disconnect the vacuum hoses.
- (5) Remove the vacuum transducer retaining bolts and remove vacuum transducer.

INSTALLATION**INSTALLATION**

- (1) Clean all mating surfaces
- (2) Install turbocharger to exhaust manifold. Tighten bolts to 22 lbs. ft. (20 N·m) (Fig. 6).

NOTE: Slacken the bottom bolt of the turbocharger support bracket to install bracket stress free.

- (3) Install turbocharger support bracket. Tighten bolts to 177 lbs. in. (20 N·m) at engine and 22 lbs. ft. (30 N·m) at turbocharger (Fig. 6).

- (4) Replace gaskets and install oil return line at turbocharger. Tighten bolt to 80 lbs. in. (9 N·m) (Fig. 6).

NOTE: Counterhold the connection at the turbocharger when tightening the oil supply line bolt.

- (5) Replace gaskets and install oil supply line at turbocharger. Tighten bolt to 160 lbs. in. (18 N·m) (Fig. 6).

- (6) Attach turbocharger vacuum line to vacuum unit (Fig. 6).

- (7) Attach air intake and charge air hoses (Fig. 6).

- (8) Connect front exhaust pipe to turbocharger. Tighten flange clamp to 22 lbs.ft. (30 N·m) (Fig. 6).

- (9) Install heat shield (Fig. 6).

- (10) Connect negative battery cable.

INSTALLATION - VACUUM TRANSDUCER

- (1) Position vacuum transducer and install the retaining bolts. Tighten bolts to 70 lbs.in (8 N·m).
- (2) Connect vacuum hoses.
- (3) Connect electrical connector
- (4) Install air cleaner housing (Refer to 9 - ENGINE/AIR INTAKE SYSTEM/AIR CLEANER HOUSING - INSTALLATION)
- (5) Connect negative battery cable.

FRAME & BUMPERS

TABLE OF CONTENTS

	page		page
BUMPERS		FRAME	
SPECIFICATIONS - TORQUE	1	SPECIFICATIONS	
FRONT BUMPER - STEPS		SPECIFICATIONS - FRAME DIMENSIONS ...	3
REMOVAL	2	SPECIFICATIONS - TORQUE	8
INSTALLATION	2	ENGINE CRADLE CROSSMEMBER	
FRONT FASCIA		REMOVAL	8
REMOVAL	2	INSTALLATION	10
INSTALLATION	2	REAR CROSSMEMBER - TRANSMISSION	
REAR BUMPER - STEP		REMOVAL	11
REMOVAL	2	INSTALLATION	11
INSTALLATION	3	TRAILER HITCH	
REAR FASCIA		REMOVAL	11
REMOVAL	3	INSTALLATION	12
INSTALLATION	3		

BUMPERS

SPECIFICATIONS - TORQUE

TORQUE SPECIFICATIONS

DESCRIPTION	N-m	Ft. Lbs.	In. Lbs.
FRONT BUMPER - STEPS BOLTS	20	15	—
FRONT FASCIA SCREWS	23	17	—
REAR BUMPER STEP FRAME BOLTS/ NUTS	38	17	—
REAR BUMPER STEP SUPPORT BOLTS	90	66	—
REAR FASCIA BOLTS	23	17	—

FRONT BUMPER - STEPS

REMOVAL

(1) Remove fascia. (Refer to 13 - FRAME & BUMPERS/BUMPERS/FRONT FASCIA - REMOVAL)

(2) Remove the bolts and remove the steps. (Fig. 1)

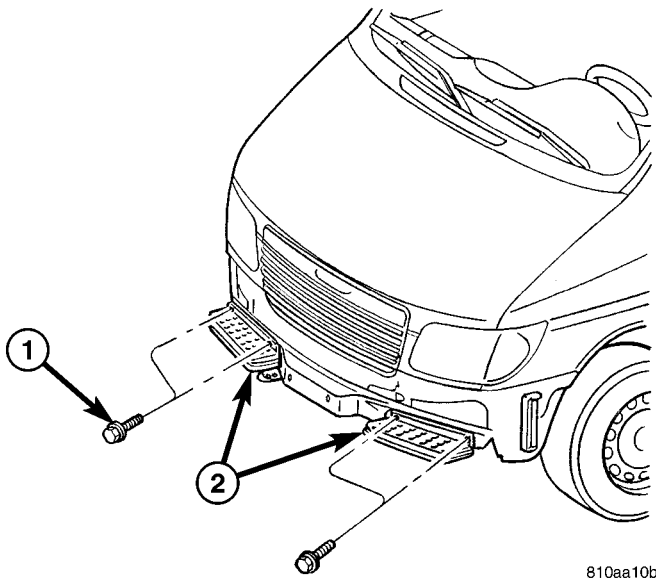


Fig. 1 BUMPER STEPS

- 1 - BOLTS (2 PER STEP)
2 - STEPS

INSTALLATION

- (1) Install step and bolts.
- (2) Tighten bolts to 20 N·m (15 ft. lbs.).
- (3) Install fascia. (Refer to 13 - FRAME & BUMPERS/BUMPERS/FRONT FASCIA - INSTALLATION)

FRONT FASCIA

REMOVAL

- (1) Remove the screws and cover. (Fig. 2)
- (2) Remove push pin fasteners.
- (3) Remove fascia screws.
- (4) Pull bumper forward off support brackets.
- (5) Disconnect electrical connector.

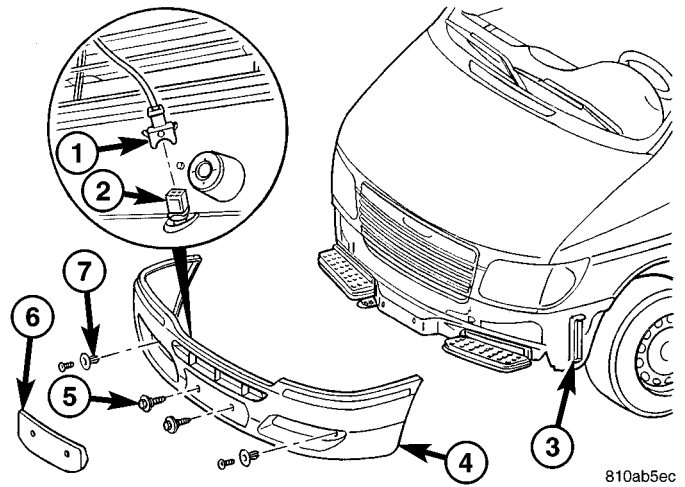


Fig. 2 FRONT FASCIA

- 1 - ELECTRICAL CONNECTOR
2 - OUTSIDE TEMPERATURE SENSOR
3 - FASCIA SUPPORT BRACKET
4 - FASCIA
5 - SCREWS (2)
6 - COVER
7 - PUSH PIN FASTENERS

INSTALLATION

- (1) Connect outside temperature sensor electrical connector.
- (2) Slide fascia onto the support brackets.
- (3) Install fascia screws and tighten to 23 N·m (17 ft. lbs.).
- (4) Install push pin fasteners.
- (5) Install cover and screws.

REAR BUMPER - STEP

REMOVAL

- (1) Remove rear fascia. (Refer to 13 - FRAME & BUMPERS/BUMPERS/REAR FASCIA - REMOVAL)
- (2) Remove frame bolts/nuts. (Fig. 3)
- (3) Remove the remaining support bolts.

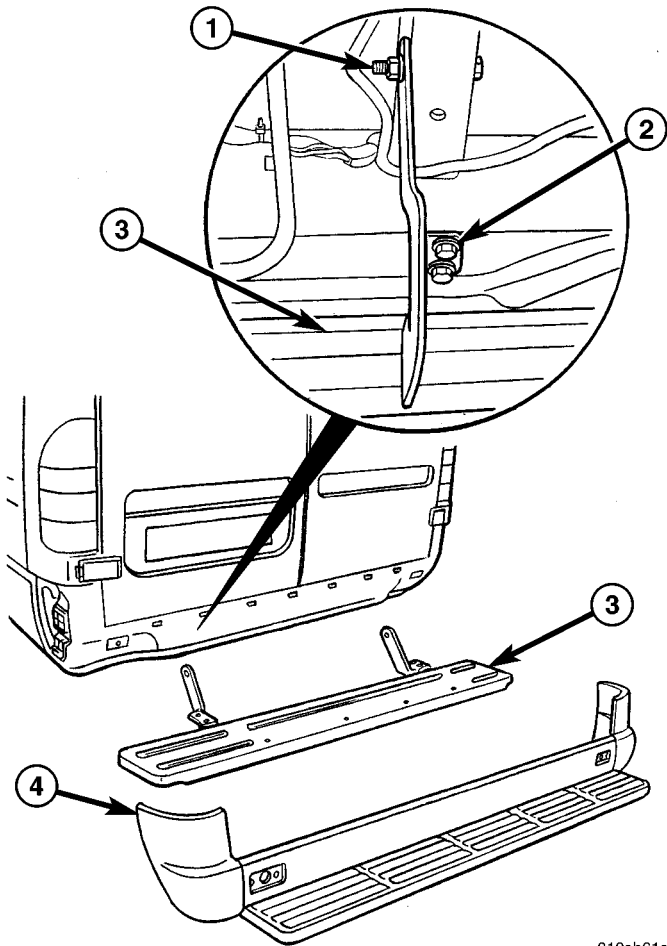


Fig. 3 REAR BUMPER STEP

- 1 - FRAME BOLTS/NUTS (2)
- 2 - BOLTS (4)
- 3 - BUMPER STEP
- 4 - REAR FASCIA

810ab61a

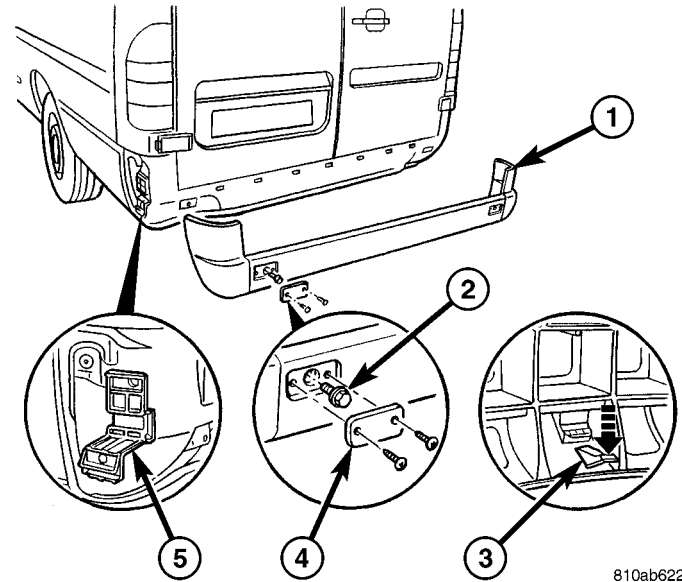
INSTALLATION

- (1) Install bumper step and install support bolts.
- (2) Tighten bolts to 38 N·m (28 ft. lbs.).
- (3) Install frame bolts/nuts and tighten to 90 N·m (66 ft. lbs.).
- (4) Install fascia. (Refer to 13 - FRAME & BUMPERS/BUMPERS/REAR FASCIA - INSTALLATION)

REAR FASCIA

REMOVAL

- (1) Remove screws and remove reflectors. (Fig. 4)
- (2) Remove fascia bolts.
- (3) Release bumper support brackets clips below end panel.
- (4) Press dowel pins out of and remove four plastic rivets connecting fascia to rear step, if equipped.
- (5) Separate the corners of the fascia from the support brackets and remove fascia.



810ab622

Fig. 4 REAR FASCIA

- 1 - FASCIA
- 2 - BOLTS
- 3 - TAB
- 4 - REFLECTOR
- 5 - SUPPORT BRACKET

INSTALLATION

- (1) Install fascia and seat the corners over the support brackets.
- (2) Seat bumper support brackets clips below end panel firmly.
- (3) Install the four plastic rivets to the bumper step, if equipped.
- (4) Install fascia bolts and tighten to 23 N·m (17 ft. lbs.).
- (5) Install reflectors and reflector screws.

FRAME

SPECIFICATIONS

SPECIFICATIONS - FRAME DIMENSIONS

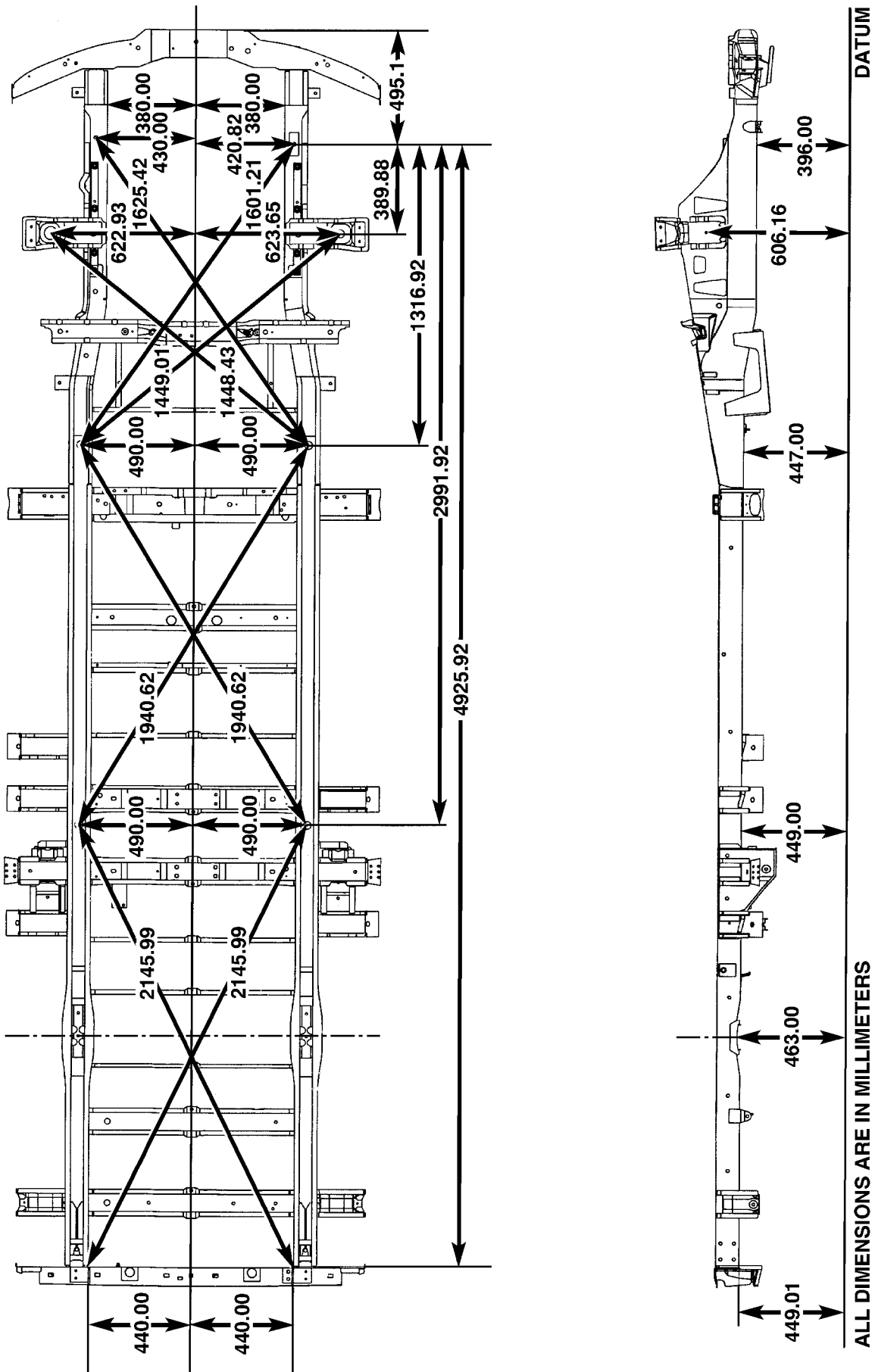
NOTE: Frame dimensions are listed in metric scale.

VEHICLE PREPARATION

Position the vehicle on a level work surface. Vertical dimensions can be taken from the work surface to the locations indicated were applicable.

INDEX

DESCRIPTION	FIGURE
05 FRAME DIMENSIONS 1	5
05 FRAME DIMENSIONS 2	6
FRAME DIMENSIONS	7

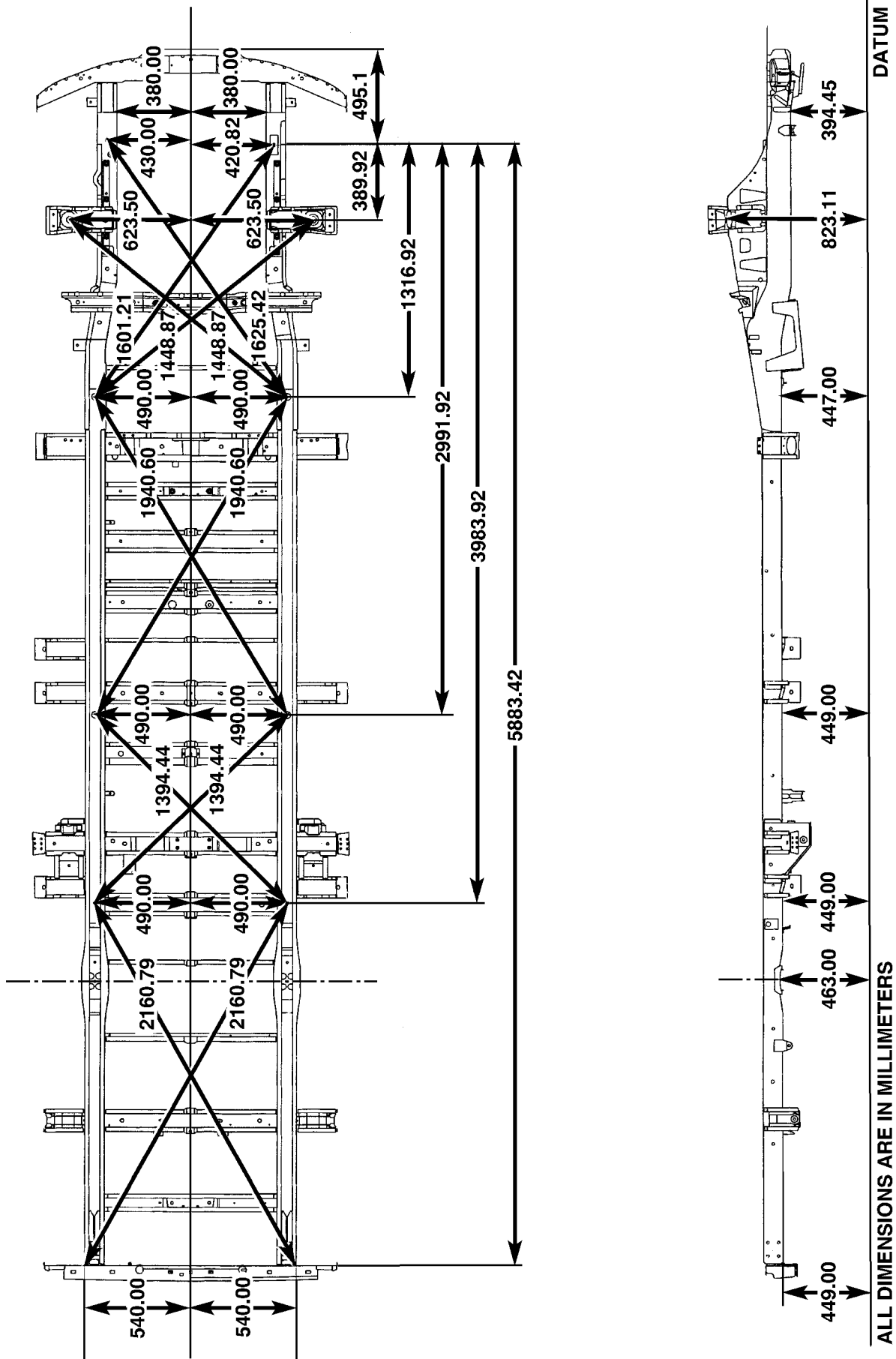


8159061

Fig. 5 05 FRAME DIMENSIONS 1

ALL DIMENSIONS ARE IN MILLIMETERS

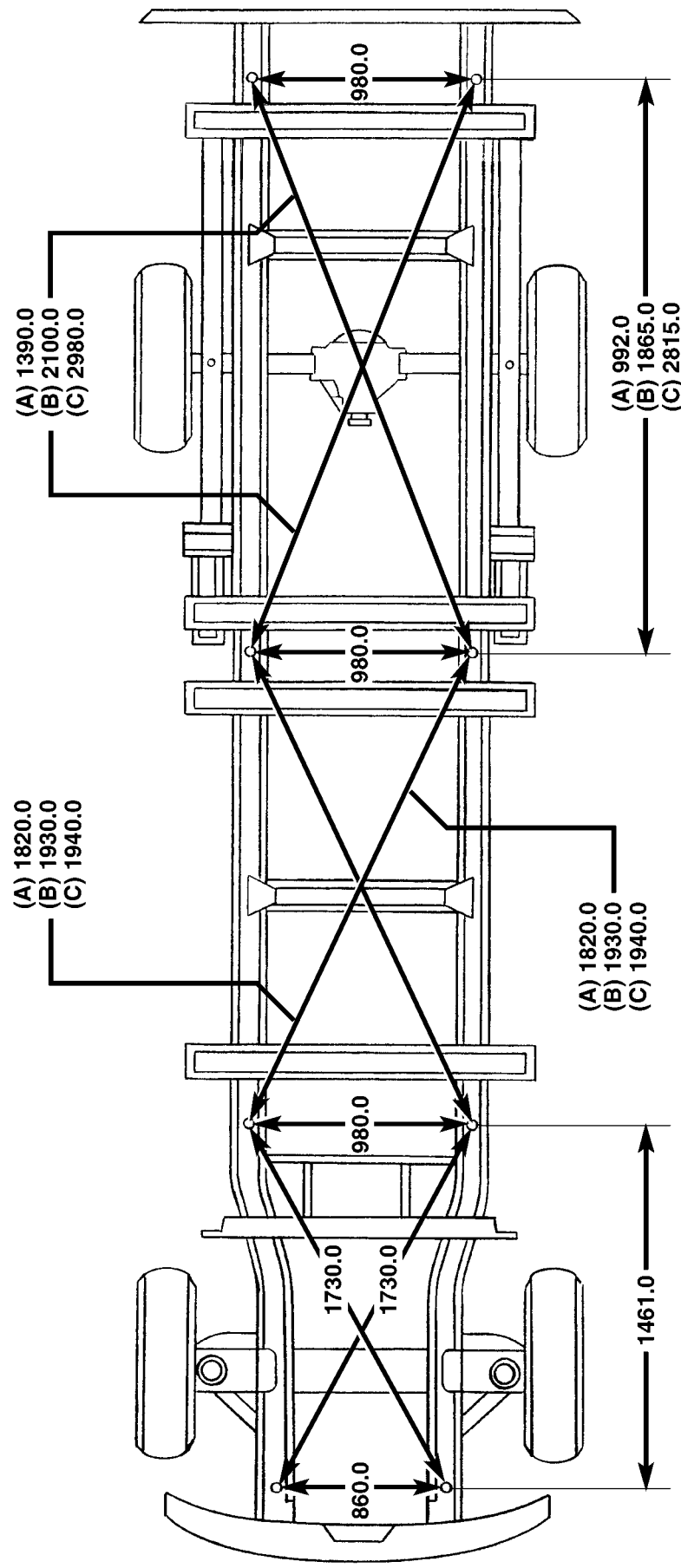
DATUM



81590165

Fig. 6 05 FRAME DIMENSIONS 2

810b1bd5



MODEL	WHEEL BASE
A	141 2997.0 (118")
B	241 3556.0 (140")
C	341 4013.0 (158")

Fig. 7 FRAME DIMENSIONS

SPECIFICATIONS - TORQUE

TORQUE SPECIFICATIONS

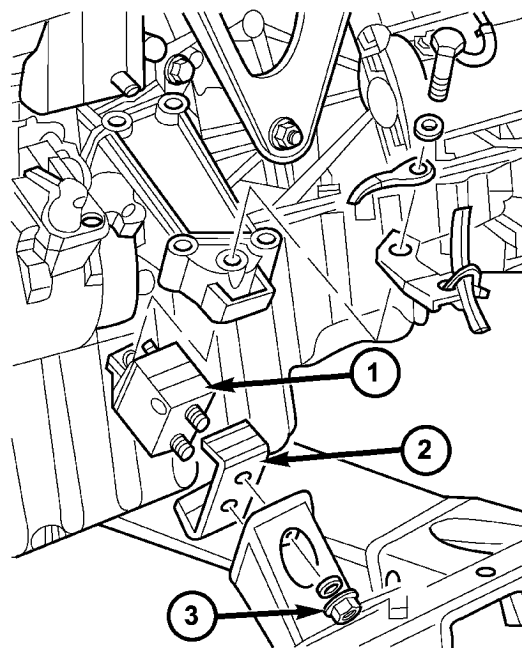
DESCRIPTION	N·m	Ft. Lbs.	In. Lbs.
Brake line nuts	14	10	—
Brake pads wear indicator caliper bolt	10	7	89
Engine cradle bolts	125	92	—
Engine mount bolt to engine bracket	83	61	—
Engine mount nuts to engine cradle	45	33	—
Power steering line nuts	37	27	—
Steering gear mounting bolts - 1st stage	25	18	—
Steering Gear mounting bolts - 2nd stage	45	33	—
Steering Gear mounting bolts - 3rd stage	90°	—	—
Steering gear u-joint bolt	24	18	—
Sway bar bushing bolts	30	22	—
Trailer hitch angle bracket bolts/nuts	50* See Warning	37* See Warning	—
Trailer hitch frame bolts	110	81	—
Transmission cross-member nuts	45	33	—
Transmission mount bolts/nuts	45	33	—

WARNING: Microencapsulated bolts and self-locking nuts may only be used once. If you use microencapsulated bolt or self-locking nuts more than once, the self-locking function is rendered useless. The trailer hitch may become detached from the vehicle, possibly resulting in a serious risk of injury and/or damage to property, including damage to the vehicle.

ENGINE CRADLE CROSSMEMBER

REMOVAL

- (1) Install engine support tool 8534 or equivalent.
- (2) Raise and support the vehicle. (Refer to LUBRICATION & MAINTENANCE/HOISTING - STANDARD PROCEDURE)
- (3) Remove engine mount nuts. (Fig. 8)



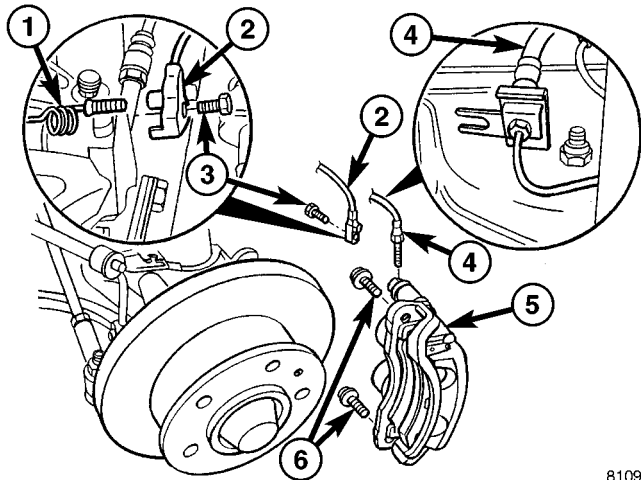
810ef516

Fig. 8 ENGINE MOUNT

- 1 - ENGINE MOUNT
- 2 - SHIELD
- 3 - NUTS (2 PER MOUNT)

(4) Remove front spring. (Refer to 2 - SUSPENSION/FRONT/SPRING - REMOVAL)

(5) Remove calipers. (Refer to 5 - BRAKES/HYDRAULIC/MECHANICAL/DISC BRAKE CALIPERS - REMOVAL) (Fig. 9)



8109f0af

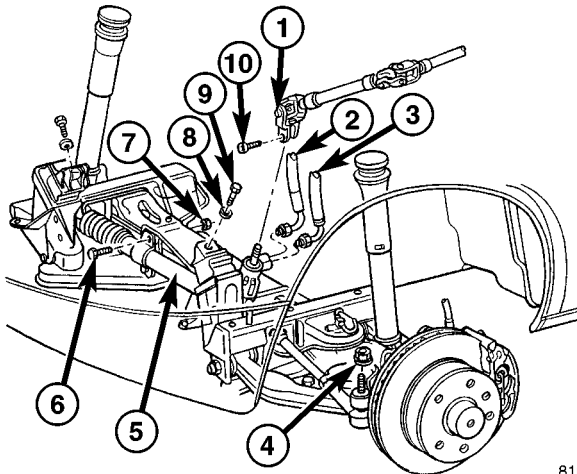
Fig. 9 FRONT DISC BRAKE CALIPER

- 1 - WEAR INDICATOR CABLE
- 2 - WEAR INDICATOR
- 3 - BOLT
- 4 - BRAKE HOSE
- 5 - DISC BRAKE CALIPER/ADAPTER
- 6 - ADAPTER BOLTS

(6) Cut tie straps holding wheel speed sensor and brake pad wear sensor wire harness to the cradle.

(7) Cut tie straps holding transmission harness to the cradle.

(8) Remove lower pinch bolt from steering shaft and disconnect shaft. (Fig. 10)



8109e8ad

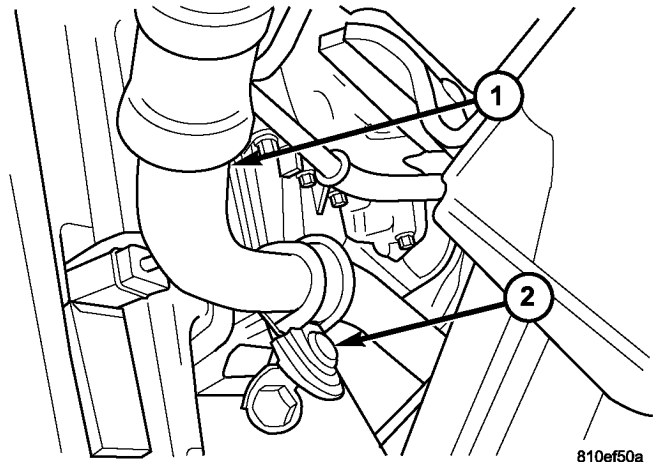
Fig. 10 STEERING GEAR

- 1 - U-JOINT
- 2 - HIGH PRESSURE POWER STEERING HOSE
- 3 - RETURN HOSE
- 4 - OUTER TIE ROD END RETAINING NUT
- 5 - STEERING GEAR
- 6 - STEERING GEAR RETAINING BOLT
- 7 - STEERING GEAR NUT
- 8 - WASHER
- 9 - ENGINE MOUNT BOLT
- 10 - U-JOINT CLAMPING BOLT

(9) Siphon the power steering fluid out of the reservoir.

(10) Remove both the high pressure and return hoses from the steering gear (Refer to 19 - STEERING/PUMP/HOSES - REMOVAL) (Fig. 10).

(11) Remove bolt and remove power steering hose support bracket from the cradle. (Fig. 11)

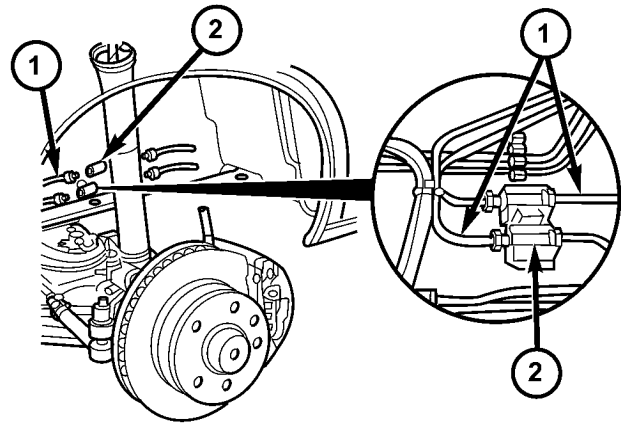


810ef50a

Fig. 11 POWER STEERING HOSE BRACKET

- 1 - POWER STEERING LINE
- 2 - SUPPORT BRACKET BOLT

(12) Disconnect brake lines from body side, at the couplings. (Fig. 12)



810ef512

Fig. 12 BRAKE LINES

- 1 - BRAKE LINES
- 2 - LINE COUPLINGS

(13) Support engine cradle with suitable lifting device.

(14) Remove four cradle support bolts from each side of the cradle. (Fig. 13)

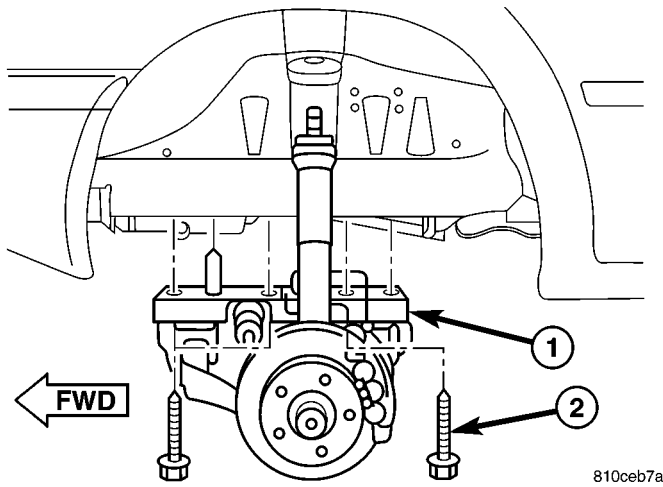


Fig. 13 ENGINE CRADLE BOLTS

- 1 - ENGINE CRADLE
- 2 - CRADLE BOLTS (4 PER SIDE)

- (15) Lower engine cradle.
 - (16) Release support clips and remove brake lines.
 - (17) Remove nuts and remove jounce bumpers.
 - (18) Remove nuts and remove mount heat shield.
- (Fig. 14)

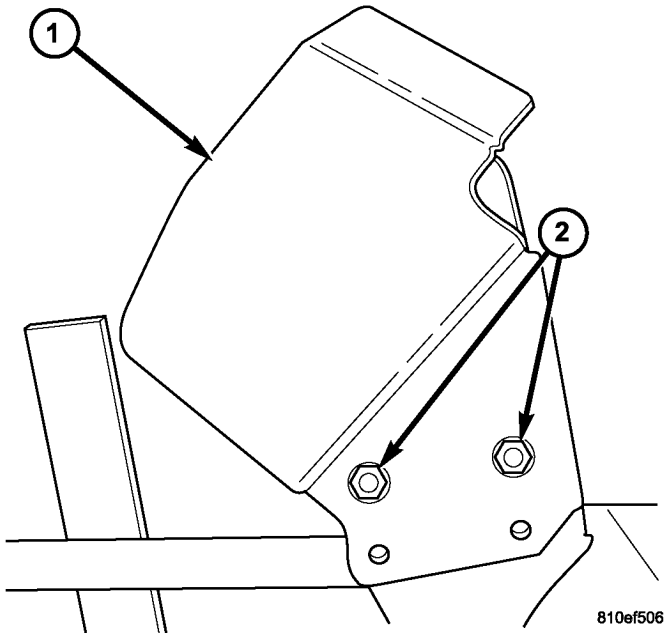


Fig. 14 HEAT SHIELD

- 1 - HEAT SHIELD
- 2 - NUTS

(19) Remove stabilizer bar as necessary. (Refer to 2 - SUSPENSION/FRONT/STABILIZER BAR - REMOVAL)

(20) Remove steering gear. (Refer to 19 - STEERING/GEAR - REMOVAL)

(21) Using a sharp flat bladed tool, remove identification plate. (Fig. 15)

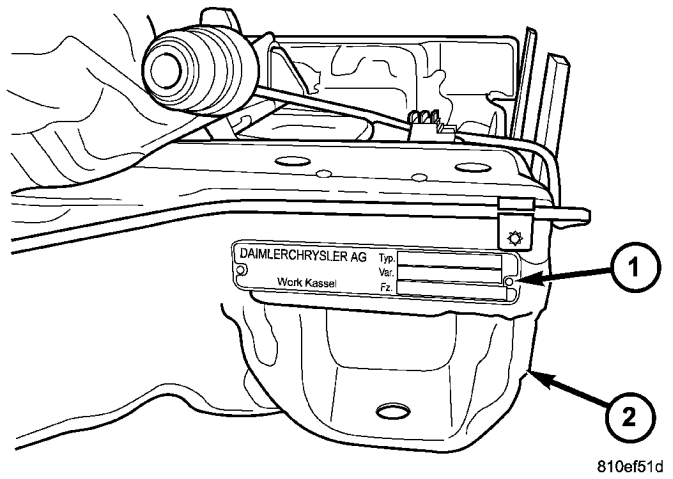


Fig. 15 IDENTIFICATION PLATE

- 1 - IDENTIFICATION PLATE
- 2 - ENGINE CRADLE

INSTALLATION

(1) Using a suitable RTV sealant, attach identification plate to engine cradle.

(2) Install steering gear onto engine cradle. (Refer to 19 - STEERING/GEAR - INSTALLATION)

NOTE: Steering gear must be torqued in a three step procedure below.

(3) Tighten steering gear bolts in three stages as follows.

1. Tighten to 25 N·m (18 ft. lbs.)
2. Then tighten to 45 N·m (33 ft. lbs.)
3. Then tighten bolts an additional 90°.

(4) Install stabilizer bar. (Refer to 2 - SUSPENSION/FRONT/STABILIZER BAR - INSTALLATION)

(5) Install heat shield and nuts.

(6) Install jounce bumpers and install nuts.

(7) Install support clips and brake lines.

(8) Raise engine cradle into place and install bolts.

(9) Tighten bolts to 125 N·m (92 ft. lbs.).

(10) Connect brake lines at couplings and tighten to 14 N·m (10 ft. lbs.).

(11) Position power steering hose and install support bracket bolt.

(12) Install both power steering hoses at steering gear. (Refer to 19 - STEERING/PUMP/HOSES - INSTALLATION)

(13) Connect steering shaft to gear and install the lower pinch bolt.

(14) Tighten lower pinch bolt to 24 N·m (18 ft. lbs.).

(15) Install new tie straps holding transmission harness to cradle.

(16) Install front spring. (Refer to 2 - SUSPENSION/FRONT/SPRING - INSTALLATION)

(17) Install engine mount nuts and tighten to 45 N·m (33 ft. lbs.).

(18) Install calipers. (Refer to 5 - BRAKES/HYDRAULIC/MECHANICAL/DISC BRAKE CALIPERS - INSTALLATION)

(19) Install new tie straps holding wheel speed sensors and brake pad wear sensors wire harness to cradle.

(20) Check and align vehicle to specifications. (Refer to 2 - SUSPENSION/WHEEL ALIGNMENT - STANDARD PROCEDURE)

REAR CROSSMEMBER - TRANSMISSION

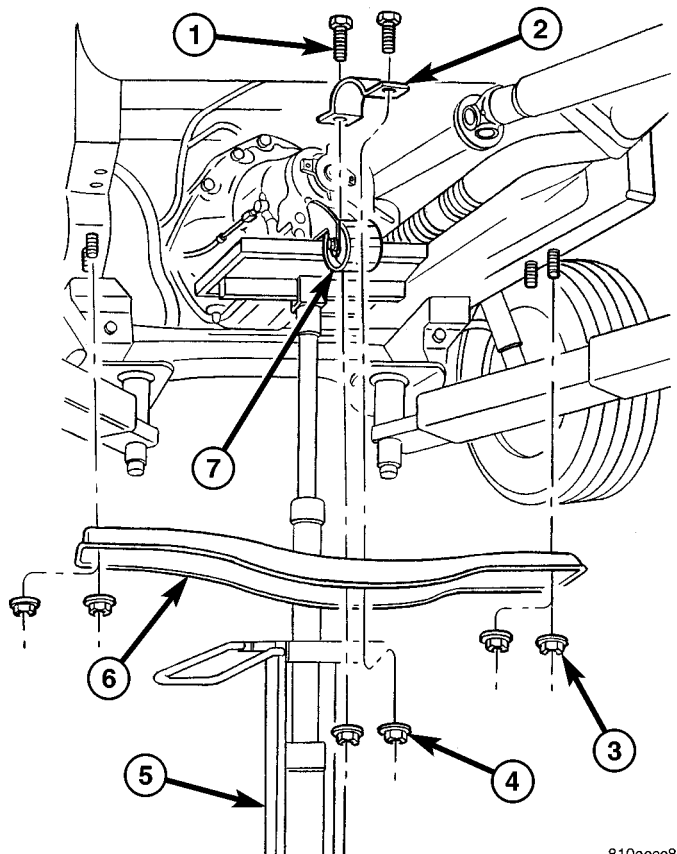
REMOVAL

(1) Raise and support the vehicle. (Refer to LUBRICATION & MAINTENANCE/HOISTING - STANDARD PROCEDURE)

(2) Support transmission with a suitable lifting device.

(3) Remove the bolts/nuts and remove transmission mount cover. (Fig. 16)

(4) Remove crossmember nuts and crossmember.



810acc8

Fig. 16 TRANSMISSION CROSSMEMBER

- 1 - TRANSMISSION MOUNT BOLTS (2)
- 2 - TRANSMISSION MOUNT COVER
- 3 - TRANSMISSION CROSSMEMBER NUTS (4)
- 4 - TRANSMISSION MOUNT NUTS (2)
- 5 - TRANSMISSION SUPPORT
- 6 - CROSSMEMBER
- 7 - TRANSMISSION MOUNT

INSTALLATION

- (1) Install crossmember and install nuts.
- (2) Tighten crossmember nut to 45 N·m (33 ft. lbs.).
- (3) Remove transmission support.
- (4) Install transmission mount bracket.
- (5) Install transmission mount bolts/nuts and tighten to 45 N·m (33 ft. lbs.).

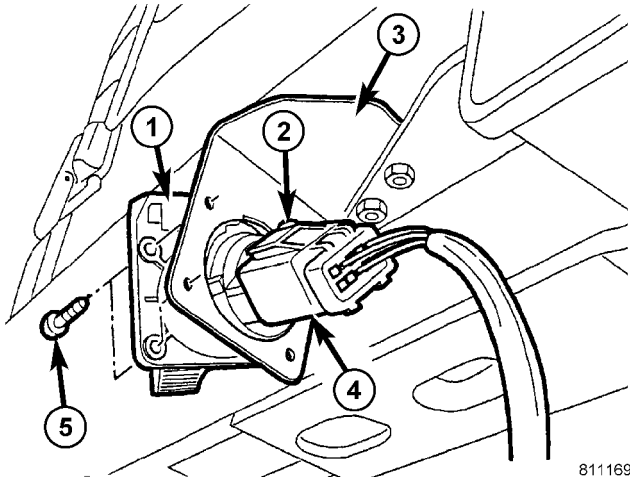
TRAILER HITCH

REMOVAL

- (1) Disconnect and isolate battery negative cable.
- (2) Raise and support the vehicle. (Refer to LUBRICATION & MAINTENANCE/HOISTING - STANDARD PROCEDURE)
- (3) Disconnect electrical connector. (Fig. 17)

WARNING: Microencapsulated bolts and self-locking nuts may only be used once. If you use microencapsulated bolt or self-locking nuts more than once, the self-locking function is rendered useless. The trailer hitch may become detached from the vehicle, possibly resulting in a serious risk of injury and/or damage to property, including damage to the vehicle.

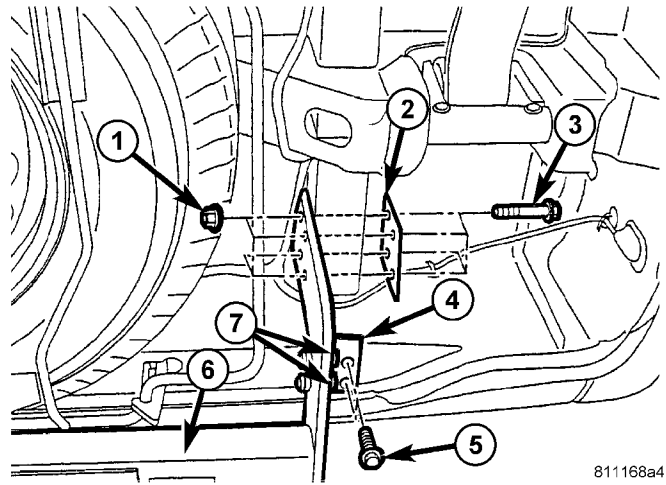
- (4) Remove and discard microencapsulated angle bracket bolts/nuts. (Fig. 18)
- (5) Support hitch and remove frame bolts. (Fig. 19)
- (6) Lower hitch.



8111690a

Fig. 17 TRAILER HITCH ELECTRICAL CONNECTION

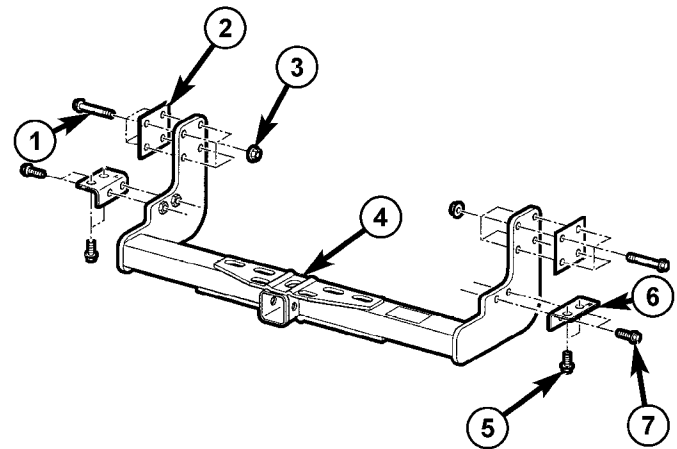
- 1 - TRAILER CONNECTION SOCKET
- 2 - ELECTRICAL CONNECTOR TAB
- 3 - SUPPORT BRACKET
- 4 - ELECTRICAL CONNECTOR
- 5 - SCREWS (4)



811168a4

Fig. 18 TRAILER HITCH MOUNTING

- 1 - LOCK NUTS (8)
- 2 - MOUNTING PLATE
- 3 - BOLTS (8)
- 4 - ANGLE BRACKETS (2)
- 5 - BOLTS (4)
- 6 - HITCH
- 7 - BRACKET BOLTS/NUTS



811168d3

Fig. 19 TRAILER HITCH

- 1 - FRAME BOLTS (8)
- 2 - MOUNTING PLATES (2)
- 3 - LOCK NUTS (8)
- 4 - TRAILER HITCH
- 5 - BRACKET TO STEP BOLTS (4)
- 6 - ANGLE BRACKETS (2)
- 7 - BRACKET BOLTS (4)

INSTALLATION

WARNING: Do not oil or grease the bolts and nuts. If the bolts and nuts are greased, the trailer hitch may become detached from the vehicle, possibly resulting in a serious risk of injury and/or damage to property, including damage to the vehicle.

- (1) Raise hitch into position.
- (2) Install the mounting plate and new frame bolts/nuts and hand tighten bolts.

WARNING: Microencapsulated bolts and self-locking nuts may only be used once. If you use microencapsulated bolt or self-locking nuts more than once, the self-locking function is rendered useless. The trailer hitch may become detached from the vehicle, possibly resulting in a serious risk of injury and/or damage to property, including damage to the vehicle.

(3) Install the angle bracket microencapsulated bolts/nuts and hand tighten.

(4) Align trailer hitch.

(5) Tighten the frame mounting bolts to 110 N·m (81 ft. lbs.).

(6) Tighten microencapsulated angle bracket bolts to 50 N·m (37 ft. lbs.)

(7) Connect trailer socket electrical connector.

FUEL SYSTEM

TABLE OF CONTENTS

	page		page
FUEL SYSTEM		STANDARD PROCEDURE	
WARNING		STANDARD PROCEDURES - CLEANING	
WARNING - HIGH FUEL SYSTEM		FUEL SYSTEM COMPONENTS	3
PRESSURE	1	STANDARD PROCEDURES - DRAINING	
WARNING	1	WATER FROM FUEL FILTER	3
DIAGNOSIS AND TESTING		STANDARD PROCEDURE - LOW	
DIAGNOSIS AND TESTING - HIGH		PRESSURE FUEL PUMP TEST	4
PRESSURE FUEL LINES	1	FUEL DELIVERY	6
DIAGNOSIS AND TESTING - AIR IN FUEL		FUEL INJECTION	31
SYSTEM	2		
DIAGNOSIS AND TESTING - INJECTOR			
LEAK QUANTITY	2		

FUEL SYSTEM

WARNING

WARNING - HIGH FUEL SYSTEM PRESSURE

WARNING: HIGH-PRESSURE FUEL LINES DELIVER FUEL UNDER EXTREME PRESSURE FROM THE INJECTION PUMP TO THE INJECTORS. THIS MAYBE AS HIGH AS 1600BAR (23,200PSI). USE EXTREME CAUTION WHEN INSPECTING FOR HIGH-PRESSURE FUEL LEAKS. FUEL UNDER THIS AMOUNT OF PRESSURE CAN PENETRATE SKIN CAUSING PERSONAL INJURY OR DEATH. INSPECT FOR HIGH-PRESSURE FUEL LEAKS WITH A SHEET OF CARDBOARD PLACED IN THE SUSPECTED AREA WHILE THE ENGINE IS NOT RUNNING. START THE VEHICLE AND ALLOW THE ENGINE TO RUN FOR A SHORT PERIOD. TURN THE ENGINE OFF AND INSPECT THE PIECE OF CARDBOARD. WEAR SAFETY GOGGLES AND ADEQUATE PROTECTIVE CLOTHING WHEN SERVICING FUEL SYSTEM.

WARNING

WARNING: UNDER NO CIRCUMSTANCES SHOULD GASOLINE BE MIXED WITH DIESEL FUEL (NOT EVEN DURING WINTER). THE HIGH PRESSURE PUMP IS LUBRICATED BY DIESEL FUEL. IMMEDIATE FUEL SYSTEM DAMAGE MAY OCCUR CAUSING REPLACEMENT AND FLUSHING OF THE COMPLETE DIESEL FUEL SYSTEM. HIGH PRESSURE PUMP SEIZURE WILL CAUSE METAL PARTICLES TO SPREAD THROUGH OUT THE FUEL

CIRCUIT. ALL CDI FUEL SYSTEM COMPONENTS CONNECTED TO THE FUEL CIRCUIT WILL HAVE TO BE EXCHANGED AND THE LINES FLUSHED.

DIAGNOSIS AND TESTING

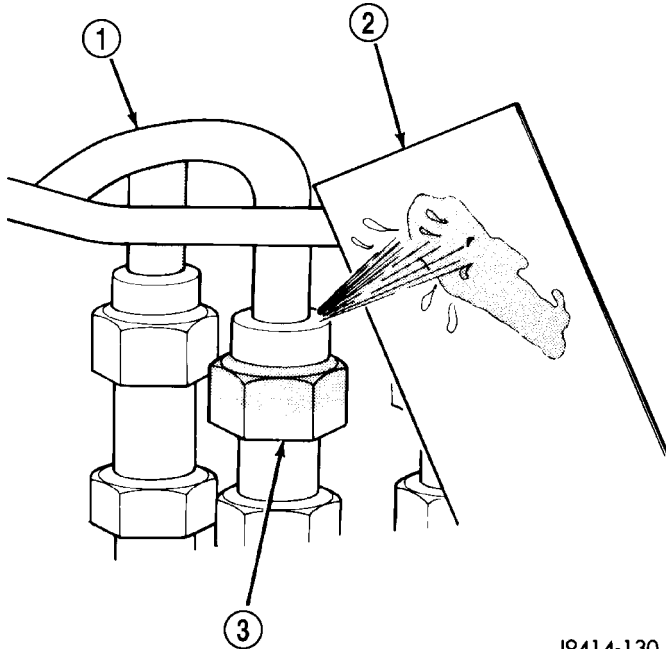
DIAGNOSIS AND TESTING - HIGH PRESSURE FUEL LINES

WARNING: HIGH-PRESSURE FUEL LINES DELIVER FUEL UNDER EXTREME PRESSURE FROM THE INJECTION PUMP TO THE INJECTORS. THIS MAYBE AS HIGH AS 1600BAR (23,200PSI). USE EXTREME CAUTION WHEN INSPECTING FOR HIGH-PRESSURE FUEL LEAKS. FUEL UNDER THIS AMOUNT OF PRESSURE CAN PENETRATE SKIN CAUSING PERSONAL INJURY OR DEATH. INSPECT FOR HIGH-PRESSURE FUEL LEAKS WITH A SHEET OF CARDBOARD PLACED IN THE SUSPECTED AREA WHILE THE ENGINE IS NOT RUNNING. START THE VEHICLE AND ALLOW THE ENGINE TO RUN FOR A SHORT PERIOD. TURN THE ENGINE OFF AND INSPECT THE PIECE OF CARDBOARD. WEAR SAFETY GOGGLES AND ADEQUATE PROTECTIVE CLOTHING WHEN SERVICING FUEL SYSTEM.

High-pressure fuel line leaks can cause starting problems and poor engine performance.

- Turn the engine off.
- Place a piece for cardboard in the suspected area (Fig. 1).
- Start the engine and allow to run for a short period.
- Turn the engine off.
- Inspect the cardboard.

If a high-pressure line connection is leaking, counterhold and tighten the connection to specification then perform this procedure again (Refer to 14 - FUEL SYSTEM - STANDARD PROCEDURE). Replace any damaged, restricted or leaking high-pressure fuel lines with the correct replacement line.



J9414-130

Fig. 1 Typical Test for Leaks with Cardboard

- 1 - HIGH-PRESSURE LINE
- 2 - CARDBOARD
- 3 - FITTING

CAUTION: The high-pressure fuel lines cannot contact each other or other components. Do not attempt to weld high-pressure fuel lines or to repair lines that are damaged. Only use the recommended lines when replacement of high-pressure fuel line is necessary.

DIAGNOSIS AND TESTING - AIR IN FUEL SYSTEM

Air will enter the fuel system whenever fuel supply lines, separator filters, injection pump, high-pressure lines or injectors are removed or disconnected. Air trapped in the fuel system can result in hard starting, a rough running engine, engine misfire, low power, excessive smoke and fuel knock.

Inspect the fuel system from the fuel tank to the injectors for loose connections (Refer to 14 - FUEL SYSTEM - WARNING). Leaking fuel is an indicator of loose connections or defective seals. Air can also enter the fuel system between the fuel tank and the fuel pump. Inspect the fuel tank module and fuel lines for damage that might allow air into the system.

With the DRBIII® connected to the vehicle, select Engine and the select Sensor Display. Page down to view Fuel Pressure Set Point and Actual Fuel Pressure. Start the engine and observe the Fuel Pressure Set Point and the Actual Fuel Pressure. If the Actual Fuel Pressure Oscillates above and below the Fuel Pressure Set Point in a regular cycle, inspect the fuel system for air intrusion.

If the Actual Fuel Pressure gradually drops below the Fuel Pressure Set Point then spikes well above the Fuel Pressure Set Point, replace the fuel pressure solenoid (Refer to 14 - FUEL SYSTEM/FUEL INJECTION/FUEL PRESSURE SOLENOID - REMOVAL), and recheck.

DIAGNOSIS AND TESTING - INJECTOR LEAK QUANTITY

WARNING: REVIEW THE HIGH PRESSURE FUEL SYSTEM WARNING BEFORE BEGINNING SERVICE (Refer to 14 - FUEL SYSTEM - WARNING).

CRANKING TEST

NOTE: If an injector is found to be out of specification, repeat this test procedure after the injector replacement. Hydraulic flow will take the path of least resistance and multiple failures may be identified.

Perform this test with the engine at operating temperature, when possible. This test will assist in determining a defective or internally leaking injector(s) is present by measuring the amount of fuel return.

- (1) Turn the ignition off.
- (2) Remove the engine cover (Refer to 9 - ENGINE - REMOVAL).
- (3) Disconnect the fuel return hoses at the top of the injectors.
- (4) Pinch off the fuel return line at the banjo bolt fitting of the fuel rail.
- (5) Disconnect the fuel rail solenoid and camshaft position sensor.
- (6) Install the test vials onto the injectors and secure with the return hose clips (Fig. 2).

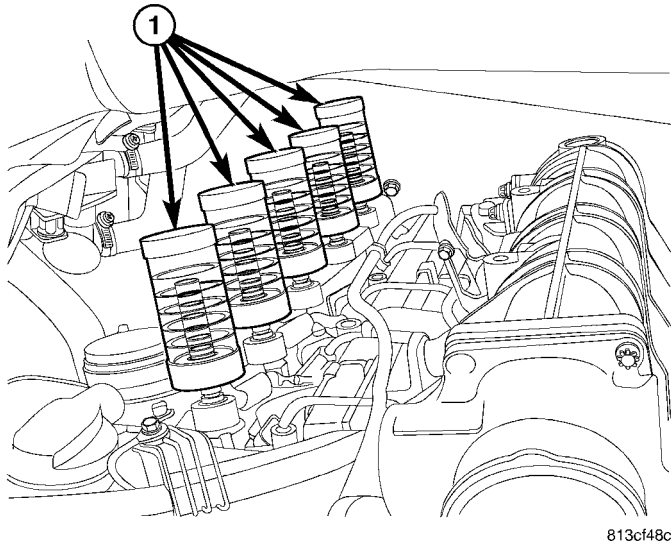


Fig. 2 Special Tool # 9545

1 - SPECIAL TOOL #9545

(7) Connect a scan tool, select from Main Menu, System Select, Engine, System Tests, Fuel Quantity Test, Engine Cranking Test and follow the screen.

(8) After ten seconds, a maximum of 2.5 ml (between 2 & 3 graduation lines) may be reached in the inner vials. If the level has exceeded the 2.5 ml, replace that affected cylinder's injector, clear the memory using the scan tool, empty the test vials, and retest.

RUNNING TEST

NOTE: If an injector is found to be out of specification, repeat this test procedure after the injector replacement. Hydraulic flow will take the path of least resistance and multiple failures may be identified. Engine temperature must be above 80° C (176°F) to perform the running test.

Perform this test with the engine at operating temperature. This test will assist in determining a defective or internally leaking injector(s) is present by measuring the amount of fuel return.

- (1) Turn the ignition off.
- (2) Remove the engine cover (Refer to 9 - ENGINE - REMOVAL).
- (3) Disconnect the fuel return hoses at the top of the injectors.
- (4) Pinch off the fuel return line at the banjo bolt fitting of the fuel rail.
- (5) Install the test vials onto the injectors and secure with the return hose clips (Fig. 2).
- (6) Connect a scan tool, select from Main Menu, System Select, Engine, System Tests, Fuel Quantity Test, Engine Running Test and follow the screen.
- (7) After ten seconds, a maximum of five graduation lines (40 ml) of the large test vial may be

reached. If the level has exceeded the five graduation line, replace that affected cylinder's injector, clear the memory using the scan tool, empty the test vials, and retest.

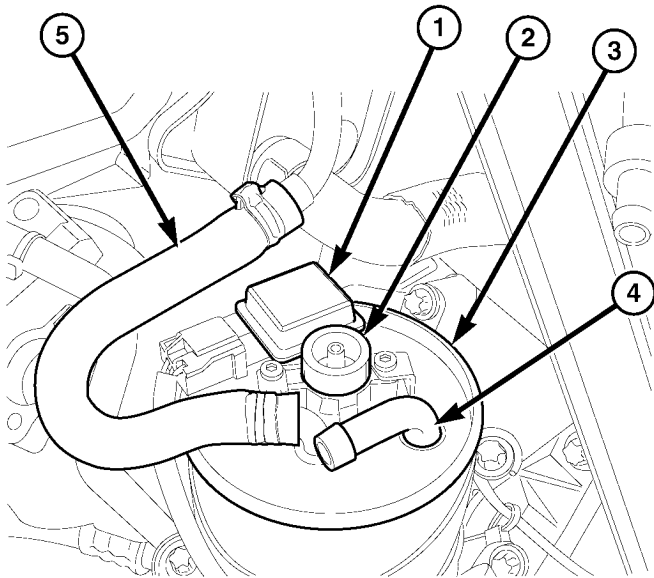
STANDARD PROCEDURE

STANDARD PROCEDURES - CLEANING FUEL SYSTEM COMPONENTS

CAUTION: Cleanliness cannot be overemphasized when handling or replacing diesel fuel system components. This especially includes the fuel injectors, high-pressure fuel lines, fuel rail, and fuel injection pump. Very tight tolerances are used with these parts. Dirt contamination could cause rapid part wear and possible plugging of fuel injector nozzle tip holes. This in turn could lead to possible engine misfire. Always wash/clean any fuel system component thoroughly before disassembly and then air dry. **DO NOT** wire brush injector nozzles when cleaning. Cap or cover any open part after disassembly. Before assembly, examine each part for dirt, grease or other contaminants and clean if necessary. When installing new parts, lubricate them with clean engine oil or clean diesel fuel only.

STANDARD PROCEDURES - DRAINING WATER FROM FUEL FILTER

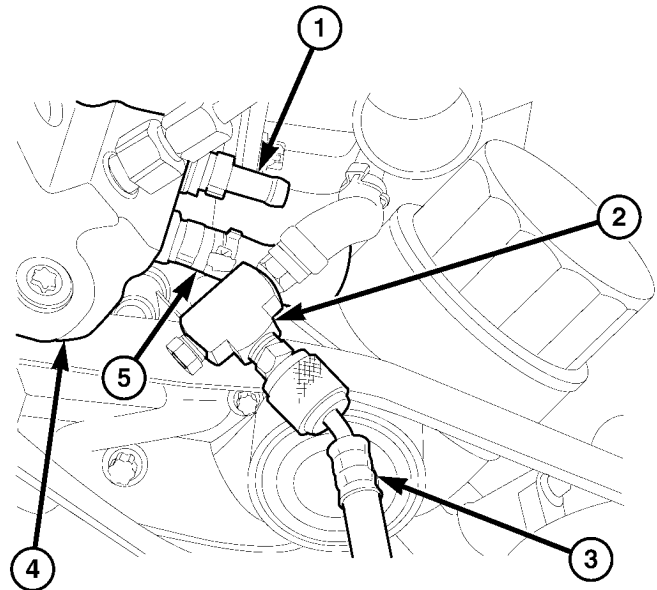
Connect a hose to the Water in Fuel (WIF) drain and place it in a clearly marked and suitable container. Open the WIF drain by turning counterclockwise (Fig. 3). Turn the ignition key on for 20 seconds (Refer to low pressure fuel pump operation). Repeat the procedure until all water is removed, close the drain and remove the hose.



81317d17

Fig. 3 WATER IN FUEL SENSOR

- 1 - WIF SENSOR
- 2 - WIF DRAIN
- 3 - FUEL FILTER
- 4 - FUEL SUPPLY FROM TANK
- 5 - FUEL SUPPLY TO HIGH PRESSURE PUMP



81335dde

Fig. 4 FUEL GAUGE CONNECT AT HIGH PRESSURE PUMP

- 1 - FUEL SUPPLY FITTING
- 2 - ADAPTOR
- 3 - FUEL GAUGE HOSE
- 4 - HIGH PRESSURE PUMP
- 5 - FUEL RETURN FITTING

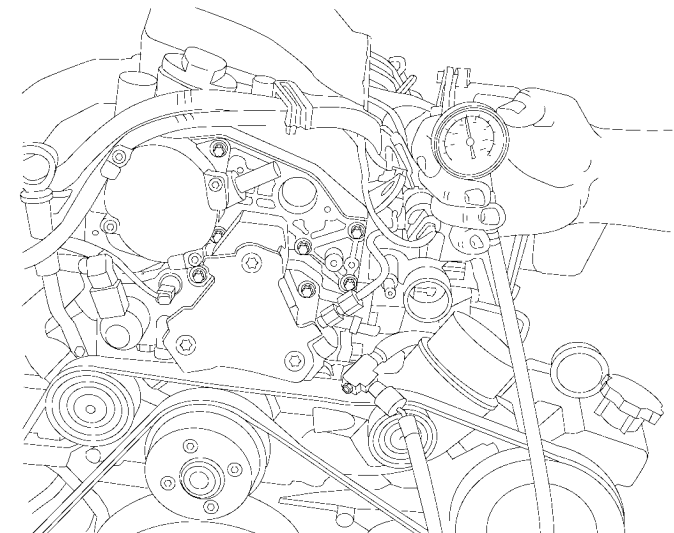
STANDARD PROCEDURE - LOW PRESSURE FUEL PUMP TEST

NOTE: Assure fuel tank quantity and proper fuel gauge operation. Assure that the fuel pump fuse or relay is not open. Capture any fuel spillage and store in appropriately marked containers.

NOTE: When the ignition switch is turned to the ON position the fuel pump will begin to run for 20–30 seconds and then it stops.

The low pressure pump draws fuel out of the fuel tank module and pushes the fuel towards the fuel filter. If the pressure reading is below specification, look for damaged or leaking fuel lines or a restricted fuel filter. If no problem is found with the fuel system replace the low pressure fuel pump.

- (1) Disconnect the negative battery cable.
- (2) Connect a fuel gauge to the low pressure fuel supply to the high pressure pump (Fig. 4).

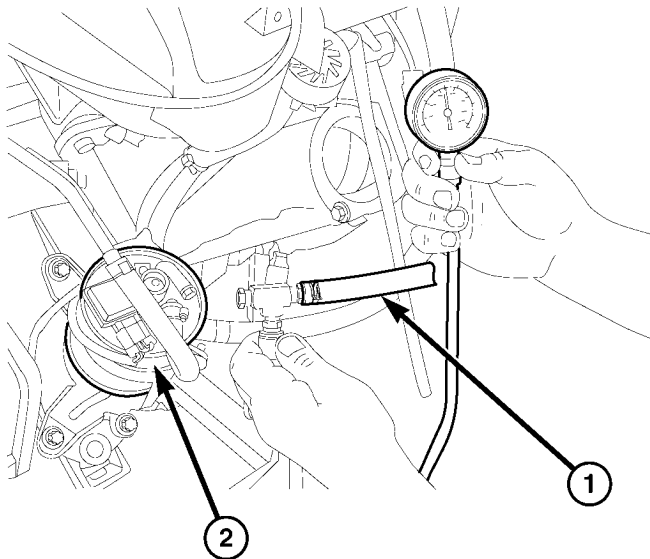


81335ddd

Fig. 5 FUEL PRESSURE TEST AT HIGH PRESSURE PUMP

- (5) The fuel pressure should be 4.0 to 4.5 bar (58 - 65 psi) If the fuel pressure is below specification,

move the gauge to the fuel filter input line and re-test. (Fig. 6).



81335ddb

Fig. 6 FUEL PRESSURE TEST AT FILTER

- 1 - FUEL SUPPLY FROM FUEL TANK
- 2 - FUEL FILTER ASSEMBLY

(6) If the fuel pressure is still below specification, replace the fuel pump. If the fuel pressure is within the specification, replace the fuel filter and retest at the high pressure pump to verify system function.

FUEL DELIVERY

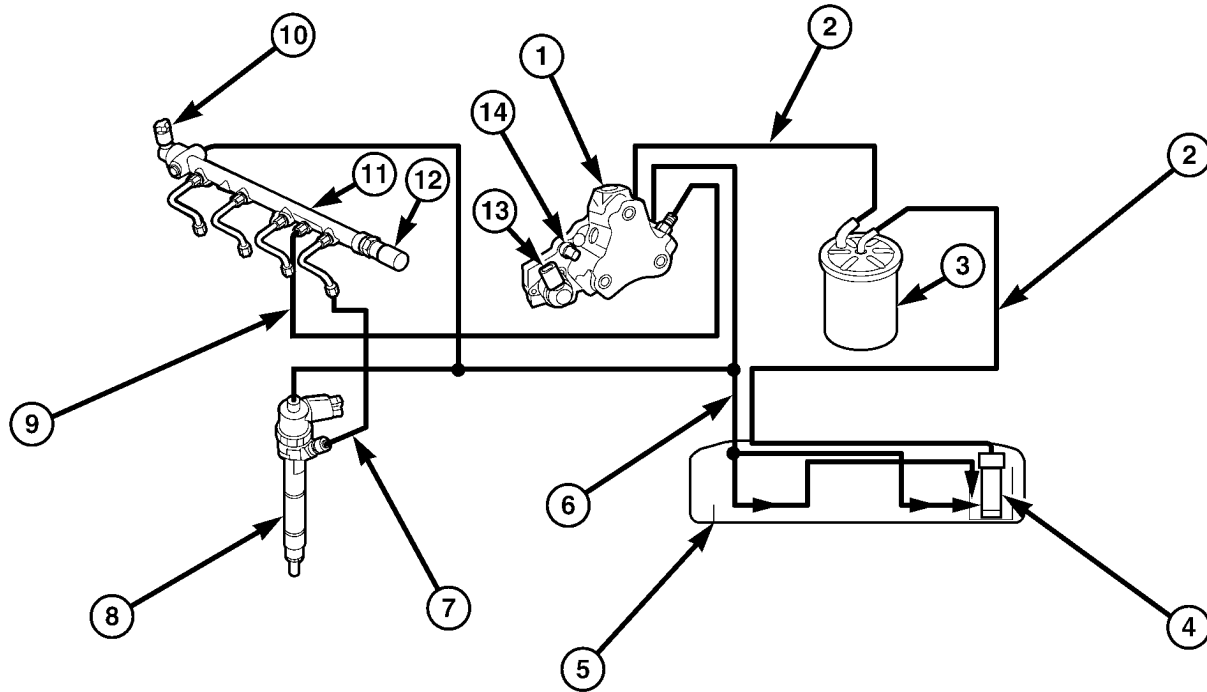
TABLE OF CONTENTS

	page		page
FUEL DELIVERY		OPERATION	
DESCRIPTION	6	OPERATION	13
OPERATION	7	OPERATION - LOW PRESSURE PUMP	16
STANDARD PROCEDURE		REMOVAL - HIGH PRESSURE PUMP	17
STANDARD PROCEDURE - DRAINING		INSTALLATION - HIGH PRESSURE PUMP	17
FUEL TANK - DIESEL	8	FUEL PUMP MODULE	
FUEL CONTAMINATION	8	DESCRIPTION	18
SPECIFICATIONS		REMOVAL	18
TORQUE	9	INSTALLATION	20
SPECIAL TOOLS		FUEL QUANTITY CONTROL VALVE	
FUEL SYSTEM	9	DESCRIPTION	21
FUEL DRAIN TUBES		OPERATION	21
DIAGNOSIS AND TESTING - FUEL SUPPLY		REMOVAL	21
RESTRICTIONS	10	INSTALLATION	21
FUEL FILTER		FUEL RAIL	
DESCRIPTION	10	DESCRIPTION	22
REMOVAL	10	OPERATION	22
INSTALLATION	11	REMOVAL	22
FUEL LINES		INSTALLATION	22
REMOVAL - HIGH PRESSURE LINES	11	FUEL TANK	
INSTALLATION - HIGH PRESSURE LINES	12	DESCRIPTION	23
FUEL RAIL PRESSURE SENSOR		REMOVAL	25
DESCRIPTION	12	INSTALLATION	26
OPERATION	12	FUEL LEVEL SENDING UNIT / SENSOR	
REMOVAL	12	DESCRIPTION	28
INSTALLATION	13	REMOVAL	29
FUEL PUMP		INSTALLATION	29
DESCRIPTION		WATER IN FUEL SENSOR	
DESCRIPTION - HIGH PRESSURE PUMP ...	13	DESCRIPTION	30
DESCRIPTION - LOW PRESSURE PUMP ...	13	OPERATION	30

FUEL DELIVERY

DESCRIPTION

Fuel is collected in the fuel tank. The fuel is drawn in by the fuel pump module in the tank and distributed to the fuel filter and onto the high pressure fuel pump. From there the fuel is distributed onto the fuel rail and then to the various injectors. Any fuel not needed flows back to the fuel tank through the cooler lines and mixes with the cool fuel in the fuel pump module bowl to be used again (Fig. 1).



8131f1f1

Fig. 1 FUEL SUPPLY

- | | |
|--|--|
| 1 - HIGH PRESSURE FUEL PUMP | 8 - FUEL INJECTOR |
| 2 - FUEL FROM LOW PRESSURE PUMP | 9 - HIGH PRESSURE FUEL FROM HIGH PRESSURE PUMP |
| 3 - FUEL FILTER | 10 - FUEL PRESSURE SOLENOID |
| 4 - LOW PRESSURE FUEL PUMP | 11- FUEL RAIL |
| 5 - FUEL TANK | 12 - FUEL RAIL PRESSURE SENSOR |
| 6 - RETURN FUEL | 13 - FUEL QUANTITY CONTROL VALVE |
| 7 - HIGH PRESSURE FUEL FROM HIGH PRESSURE PUMP | 14 - FUEL TEMPERATURE VALVE |

OPERATION

There are several modes of operation for the Common Rail Diesel Injection System.

Pre-injection The purpose of the pre-injection function is to reduce noise and pollutants. The coolant temperature, charge air temperature and atmospheric pressure are used to correct the quantity of pilot injection. The quantity of pilot injection now determined is deducted from the quantity of main injection in order to establish whether sufficient quantity is available for the following main injection.

The rail pressure is chosen sufficiently high so that a minimum quantity is injected. If the quantity of main injection is too small the pilot injection is switched off by the ECM.

The start of actuation of pilot injection is calculated dependent on operating point, the following data being taken into account:

Shutting Off Pre-injection The pre-injection is shut off when:

- The moment of pre-injection is exceeded
- Engine speed too high
- Pre-injected quantity too low
- Main injected quantity too low

- Insufficient fuel rail pressure
 - Engine is switched off
- Calculating Pre-injection Quantity** The pre-injection quantity is calculated on the basis of:

- Engine speed
- Atmospheric pressure
- Coolant temperature
- Boost air temperature
- Fuel rail pressure

Main Injection The purpose of main injection function is to enable the injection time and injection period calculated by the ECM. The injection quantity required by the engine is divided into the pre-injection and main injection quantity. If the main injection quantity computed by the ECM is too small, no pre-injection takes place.

Start of Actuation

The start of actuation of main injection is dependent on engine speed and quantity. In addition, it is corrected depending on the following values:

- Coolant temperature
- Boost air temperature
- Atmospheric pressure
- Pre-injection corrected YES/NO

Switching Off Main Injection

Main injection is switched off when:

- Engine speed is too high >4700 - 4800 rpm
- Main injection quantity too low
- Low fuel pressure in fuel rail
- Engine off
- External quantity control
- Deceleration mode

Calculating Main Injection

The quantity of main injection is calculated by:

- Engine speed
- Atmospheric pressure
- Coolant temperature
- Boost air temperature
- Fuel rail pressure
- Boost pressure

Period of Actuation

For calculating the period of actuation of the main injection it is necessary to know whether a pre-injection has occurred or not.

The coolant temperature, charge air temperature and the atmospheric pressure are used for correcting the main injection quantity. If main injection quantity is less than a minimum quantity which is dependent on fuel rail pressure, no preinjection takes place. In this case, only main injection is performed. If the quantity is then still below the minimum quantity, neither main injection or pre-injection takes place (deceleration mode).

Deceleration Mode

The purpose of the deceleration mode is to interrupt the operation of the injectors. The ECM determines the accelerator pedal position from a supplied signal and it determines the engine speed by the crank sensor. In the overrun and with the engine speed above 1600, with the accelerator pedal not pressed, the injectors are no longer actuated and the fuel rail pressure is lowered by the pressure regulator valve.

Full Load Injected Quantity

The purpose of the full load injected quantity is to minimize the formation of smoke. The ECM limits the fuel rail pressure when the engine is operating at full load by way of the quantity control valve, and quantity of fuel injected by the injectors. This minimizes the formation of smoke when accelerating and driving at constant speeds. If a fault occurs at the boost pressure control, full load injected quantity is reduced.

Limiting Maximum Engine Speed

The ECM determines the engine speed based on the signal supplied by the crankshaft sensor and limits

this by interrupting the operation of the fuel injectors.

Fuel Quantity Control

The fuel quantity is controlled separately for each cylinder by the ECM inline with the firing order. The ECM detects the operating state which exists at the engine by means of the sensors. In order to adapt the quantity injected, either the fuel rail pressure can be adjusted by the fuel solenoid and quantity control valve or the actuation time of the solenoid valves in the injectors.

Boiling Protection

In order to protect against thermal overload and along with criteria programmed in the ECM, the injection quantity is reduced as a function of the coolant temperature and vehicle speed. If the coolant temperature sensor fails the oil temperature signal from the oil sensor is used as a suitable value.

Fuel Tank Protection

The fuel rail pressure is lowered in order to protect the fuel tank from overheating. The fuel temperature sensor measures the temperature of the fuel being supplied from the tank, in the high pressure flange. If the fuel is too warm the fuel rail pressure is further reduced by the quantity control valve.

STANDARD PROCEDURE

STANDARD PROCEDURE - DRAINING FUEL TANK - DIESEL

- (1) Position a drain hose into the fuel fill opening.
- (2) Drain fuel tank using an approved diesel fuel draining station.

FUEL CONTAMINATION

If a diesel engine's fuel supply has been contaminated with gasoline, the following procedure must be followed:

- (1) Remove all fuel from the fuel tank. (Refer to 14 - FUEL SYSTEM/FUEL DELIVERY - STANDARD PROCEDURE-DRAINING FUEL TANK) Use an appropriate fuel container. Dispose of the contaminated fuel using the proper procedures.

CAUTION: Dispose of petroleum based products in a manner consistent with all applicable Local, State, Federal, and Provincial regulations.

- (2) Remove and clean fuel tank. (Refer to 14 - FUEL SYSTEM/FUEL DELIVERY/FUEL TANK - REMOVAL)

- (3) Install the fuel tank. (Refer to 14 - FUEL SYSTEM/FUEL DELIVERY/FUEL TANK - INSTALLATION)

- (4) Fill fuel tank with fresh diesel fuel.
- (5) Drain and remove the fuel filter. (Refer to 14 - FUEL SYSTEM/FUEL DELIVERY/FUEL FILTER / WATER SEPARATOR - REMOVAL)
- (6) Install a new fuel filter. (Refer to 14 - FUEL SYSTEM/FUEL DELIVERY/FUEL FILTER / WATER SEPARATOR - INSTALLATION)
- (7) Check the engine control module for any diagnostic trouble codes (DTCs). Record and clear any DTCs that are present.
- (8) Start and run the engine. Run the engine for up to 15 minutes to allow time for any DTCs to reset and shut off the engine.
- (9) Check the engine control module for any diagnostic trouble codes (DTCs). Record any DTCs that are present. Refer to the appropriate engine electrical diagnostics to diagnose any DTCs that were set.

CAUTION: With the high pressure fuel system in this vehicle, any residual contaminated fuel will be removed very quickly. Shut off the engine immediately if signs of engine damage are noted.

The engine should then be evaluated to determine if the contaminated fuel has caused any damage to the fuel system and/or engine. Indicators that the fuel system has been damaged include the following:

- Unstable fuel rail pressure. This can manifest itself as instability of idle speeds, excessive undershoot/overshoot at engine start-up, or excessive undershoot/overshoot when the engine operating conditions change. A typical engine response to a large rail pressure undershoot would be a decrease in engine speed or engine stall.
- Excessive noise from the engine. This could indicate poor rail pressure control or the inability of the injection system to inject the proper amount of fuel.
- Excessive smoke (black or white). This could indicate the inability of the fuel system to inject the proper amount of fuel.

NOTE: If any of these conditions are exhibited after cleaning the fuel system, proceed to the appropriate engine electrical diagnostic information. Repair the fuel system and/or engine as necessary.

SPECIFICATIONS

TORQUE

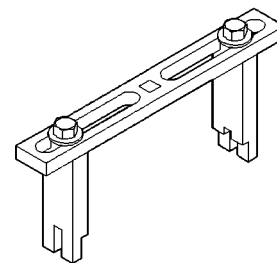
DESCRIPTION	N·m	Ft. Lbs.	In. Lbs.
FUEL TANK MOUNTING NUTS	15 - 17	11 - 13	-
FUEL TANK MODULE LOCKRING (LOCK-NUT)	60	44	-
PRESSURE CONTROL VALVE NUT TO FUEL RAIL (2 STAGES)	60, loosen 90°, re-tighten to 80	44, loosen 90°, re-tighten to 59	-

SPECIAL TOOLS

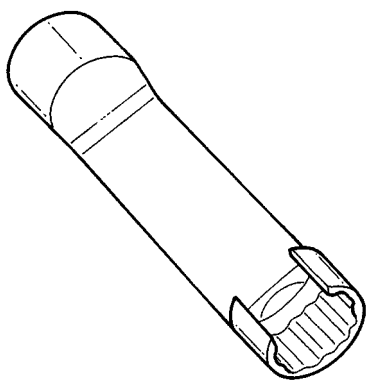
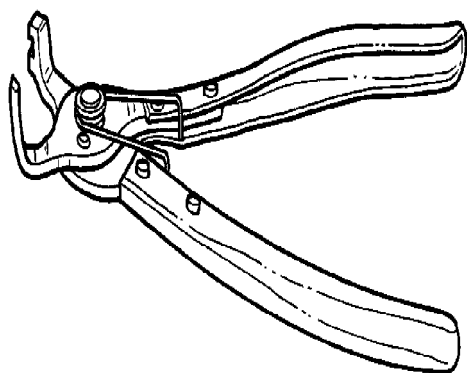
FUEL SYSTEM

SPECIAL TOOL CROSS REFERENCE CHART

MB TOOL #	MILLER TOOL #	DESCRIPTION
N/A	5069-2	FUEL GAUGE
N/A	6856	SPANNER WRENCH
N/A	9068	FUEL GAUGE ADAPTER
N/A	9285	FUEL LINE WRENCH



SPANNER WRENCH-6856

**FUEL LINE WRENCH-9285****FUEL LINE PLIERS-9539**

FUEL DRAIN TUBES

DIAGNOSIS AND TESTING - FUEL SUPPLY RESTRICTIONS

LOW - PRESSURE LINES

Fuel supply line restrictions can cause starting problems and prevent engine from accelerating. The starting problems include; low power and/or white fog like exhaust.

Test all fuel supply lines for restrictions or blockage. Flush or replace as necessary.

HIGH - PRESSURE LINES

CAUTION: High pressure lines cannot contact each other or other components. Do not attempt to weld high-pressure fuel lines or to repair lines that are damaged. High pressure lines must be replaced at each disassembly. Use only recommended lines when replacement of high-pressure fuel line is necessary.

Restricted (kinked or bent) high-pressure lines can cause starting problems, poor engine performance,

engine mis-fire and white smoke from exhaust (Refer to 14 - FUEL SYSTEM - WARNING).

FUEL FILTER

DESCRIPTION

The fuel filter was designed for improved high altitude operation and for better re-start after the fuel tank has been completely emptied. The water drain plug and water in fuel (WIF) sensor are located on the top of the filter. Water is drained by using the in-tank electric fuel pump to generate flow (attach a hose to the drain plug). The filter has a pressure differential of 200–300 mbar (2.9 psi.) when new. When dirty, the pressure differential rises to 800 mbar (11.6 psi.) (Fig. 2).

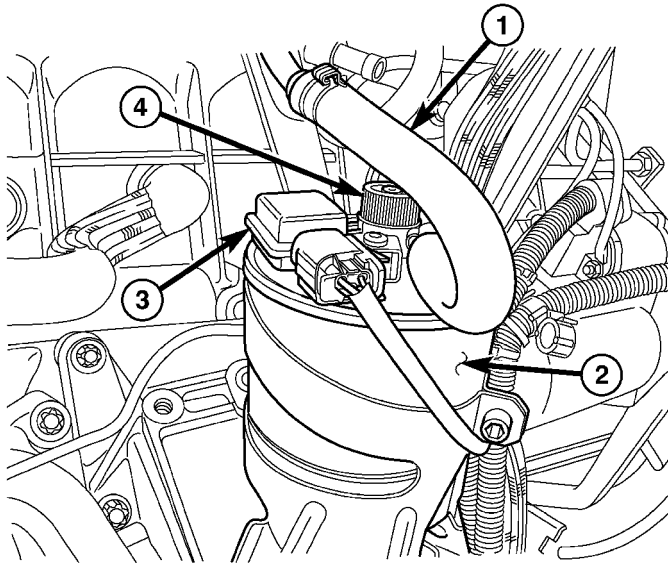
REMOVAL

WARNING: NO SPARKS, OPEN FLAMES OR SMOKING. RISK OF POISONING FROM INHALING AND SWALLOWING FUEL. RISK OF INJURY TO EYES AND SKIN FROM CONTACT WITH FUEL. POUR FUELS ONLY INTO SUITABLE AND APPROPRIATELY MARKED CONTAINERS. WEAR PROTECTIVE CLOTHING.

CAUTION: DO NOT bend, twist or cut the fuel hose clamps. The fuel hose clamps through out the fuel system are reusable when using special tool #9539. Original clamps must be used when servicing the fuel system.

- (1) Disconnect negative battery cable.
- (2) Disconnect the water in fuel (WIF) sensor harness connector (Fig. 2).
- (3) Release the fuel inlet and outlet hose clamps using special tool #9539 at the fuel filter (Fig. 2).
- (4) Remove fuel filter retaining bracket bolt and remove fuel filter (Fig. 2).
- (5) Separate the WIF sensor from the fuel filter (Fig. 2)

- (7) Cycle ignition several times to build pressure.
- (8) Start engine and inspect for leaks.



812e0212

Fig. 2 FUEL FILTER

- 1 - FUEL SUPPLY LINE TO HIGH PRESSURE PUMP
- 2 - FUEL FILTER
- 3 - WIF SENSOR
- 4 - FUEL FILTER DRAIN

INSTALLATION

WARNING: NO SPARKS, OPEN FLAMES OR SMOKING. RISK OF POISONING FROM INHALING AND SWALLOWING FUEL. RISK OF INJURY TO EYES AND SKIN FROM CONTACT WITH FUEL. POUR FUELS ONLY INTO SUITABLE AND APPROPRIATELY MARKED CONTAINERS. WEAR PROTECTIVE CLOTHING.

CAUTION: DO NOT bend, twist or cut the fuel hose clamps. The fuel hose clamps through out the fuel system are reusable when using special tool #9539. Original clamps must be used when servicing the fuel system.

NOTE: Capture any fuel spillage and dispose of in appropriately marked container.

- (1) Fill new fuel filter with the new diesel fuel (approximately 0.4 liters)
- (2) Carefully seat WIF sensor and tighten bolt to 13 lbs. in. (1.5 N·m) (Fig. 2)
- (3) Position fuel filter in bracket and tighten retaining bolt to 53 lbs. in. (6 N·m) (Fig. 2)
- (4) Install fuel lines and re-crimp clamps using special tool #9539 (Fig. 2).
- (5) Connect the WIF wiring harness connector (Fig. 2).
- (6) Connect negative battery cable.

FUEL LINES

REMOVAL - HIGH PRESSURE LINES

WARNING: NO SPARKS, OPEN FLAMES OR SMOKING. RISK OF POISONING FROM INHALING AND SWALLOWING FUEL. RISK OF INJURY TO EYES AND SKIN FROM CONTACT WITH FUEL. POUR FUELS ONLY INTO SUITABLE AND APPROPRIATELY MARKED CONTAINERS. WEAR PROTECTIVE CLOTHING.

- (1) Disconnect negative battery cable.

CAUTION: Counterhold with wrench at threaded connections of injectors. DO NOT EXCEED the tightening torque in order to avoid also slackings the threaded connection.

CAUTION: DO NOT crimp or bend lines.

NOTE: After removing injection lines, seal connections and ensure cleanliness.

- (2) Unscrew union nuts of injection lines.
- (3) Remove injection lines (Fig. 3).

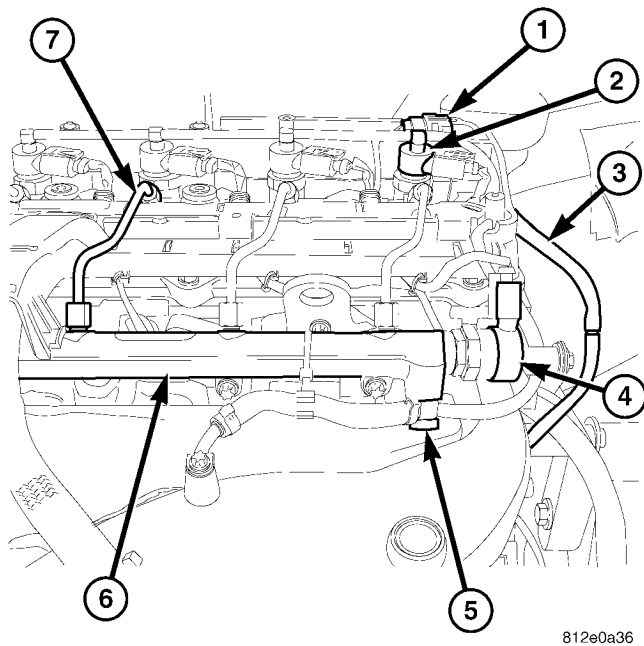


Fig. 3 FUEL RAIL

- 1 - CAMSHAFT POSITION SENSOR
- 2 - FUEL INJECTOR
- 3 - FUEL INJECTOR VALLEY DRAIN
- 4 - FUEL RAIL PRESSURE CONTROL VALVE
- 5 - BANJO BOLT
- 6 - FUEL RAIL
- 7 - HIGH PRESSURE FUEL LINE

INSTALLATION - HIGH PRESSURE LINES

WARNING: NO SPARKS, OPEN FLAMES OR SMOKING. RISK OF POISONING FROM INHALING AND SWALLOWING FUEL. RISK OF INJURY TO EYES AND SKIN FROM CONTACT WITH FUEL. POUR FUELS ONLY INTO SUITABLE AND APPROPRIATELY MARKED CONTAINERS. WEAR PROTECTIVE CLOTHING.

(1) Loosen the fuel rail mounting bolts to install lines free of stress.

CAUTION: Inspect sealing cone at lines. Replace if compression points exist. Ensure lines are exactly located.

(2) Position and install fuel lines (Fig. 3). Tighten to 22N·m (195 lbs. in.) using a wrench to counterhold at threaded connection.

(3) Tighten fuel rail to 14N·m (124 lbs. in.).

(4) Connect negative battery cable.

CAUTION: Care must be taken when installing the engine cover. Assure the proper routing of the fuel injector return fuel hose to the banjo bolt fitting in the left rear corner of the cover. Failure to do so may pinch or damage the hose causing fuel leakage or a driveability concern.

(5) Start engine, run for a few minutes, turn engine off and inspect for leaks (Refer to 14 - FUEL SYSTEM - WARNING), (Refer to 14 - FUEL SYSTEM - DIAGNOSIS AND TESTING).

FUEL RAIL PRESSURE SENSOR

DESCRIPTION

The fuel rail pressure sensor is attached to the front of the fuel rail. The sensor supplies the current fuel rail pressure to the ECM.

OPERATION

Non-constant fuel system pressure influences the position of a diaphragm inside the sensor. This results in a variation in the electrical resistance. The fuel rail pressure sensor supplies the appropriate voltage signal to the ECM.

REMOVAL

(1) Disconnect the negative battery cable.

(2) Disconnect the sensor wiring harness connector (Fig. 4).

NOTE: Place a shop towel underneath the sensor to capture any fuel spillage.

(3) Unscrew the sensor and discard the seal.

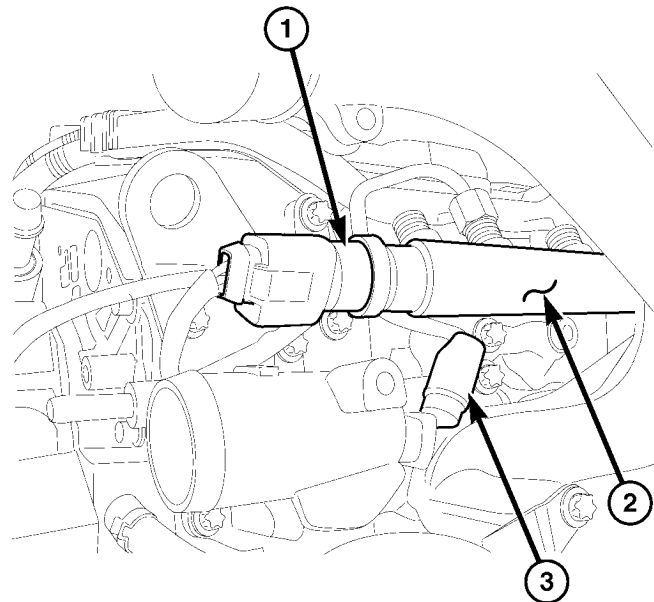


Fig. 4 FUEL RAIL PRESSURE SENSOR

- 1 - FUEL RAIL PRESSURE SENSOR
- 2 - FUEL RAIL
- 3 - COOLANT TEMPERATURE SENSOR

812e064f

INSTALLATION

- (1) Install the sealing ring onto the sensor and screw the fuel pressure sensor into the fuel rail.
- (2) Tighten the sensor to 60 N·m (44 ft. lbs.), back it off 90 degrees and retighten to 80 N·m (59 ft. lbs.) (Fig. 4).
- (3) Connect the sensor wiring harness connector.

CAUTION: Care must be taken when installing the engine cover. Assure the proper routing of the fuel injector return fuel hose to the banjo bolt fitting in the left rear corner of the cover. Failure to do so may pinch or damage the hose causing fuel leakage or a driveability concern.

- (4) (Refer to 14 - FUEL SYSTEM - WARNING). Start engine, allow to run for a few minutes, turn the engine off and inspect for leaks.

FUEL PUMP

DESCRIPTION

DESCRIPTION - HIGH PRESSURE PUMP

WARNING: (Refer to 14 - FUEL SYSTEM - WARNING)

The high pressure pump is a fuel regulated radial piston pump with three pistons arranged at an angle of 120°. The regulation being carried out by the fuel quantity valve. The high pressure pump is driven at about 1.3 times the speed of the camshaft. Specific moving parts inside the pump are graphite coated to assist with the lubrication process during operation. The high pressure pump is mounted to the front of the cylinder head and must be replaced as an assembly should a failure occur (Fig. 5).

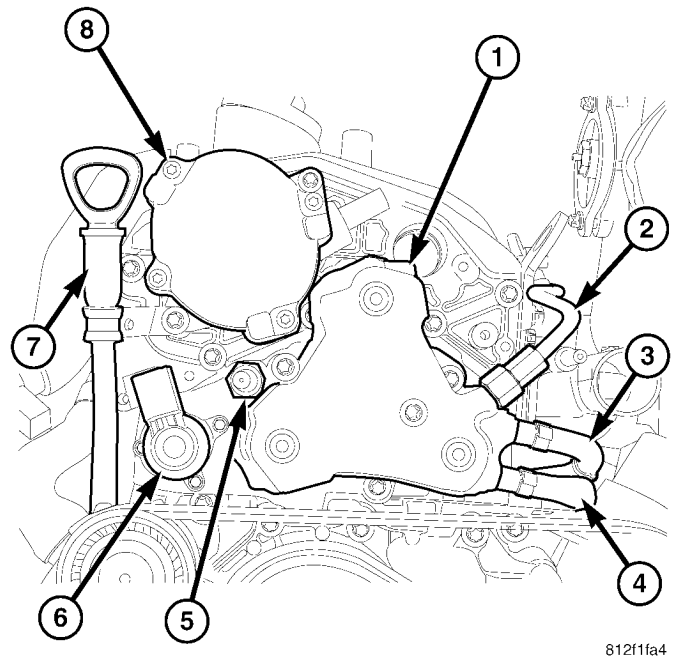


Fig. 5 HIGH PRESSURE FUEL PUMP

- 1 - HIGH PRESSURE PUMP
- 2 - FUEL SUPPLY TO FUEL RAIL
- 3 - FUEL SUPPLY LINE
- 4 - FUEL RETURN LINE
- 5 - FUEL TEMPERATURE SENSOR
- 6 - FUEL QUANTITY CONTROL VALVE
- 7 - OIL LEVEL INDICATOR
- 8 - VACUUM PUMP

DESCRIPTION - LOW PRESSURE PUMP

The electric fuel pump is located in the fuel tank. The pump draws warm or hot fuel from the fuel tank module bowl and also draws cool fuel out of the tank. The cool fuel is drawn in and is mixed with the fuel already in the bowl in a 50-50 mix ratio. Refer to fuel pump module for servicing (Refer to 14 - FUEL SYSTEM/FUEL DELIVERY/FUEL TANK MODULE - REMOVAL).

OPERATION

OPERATION

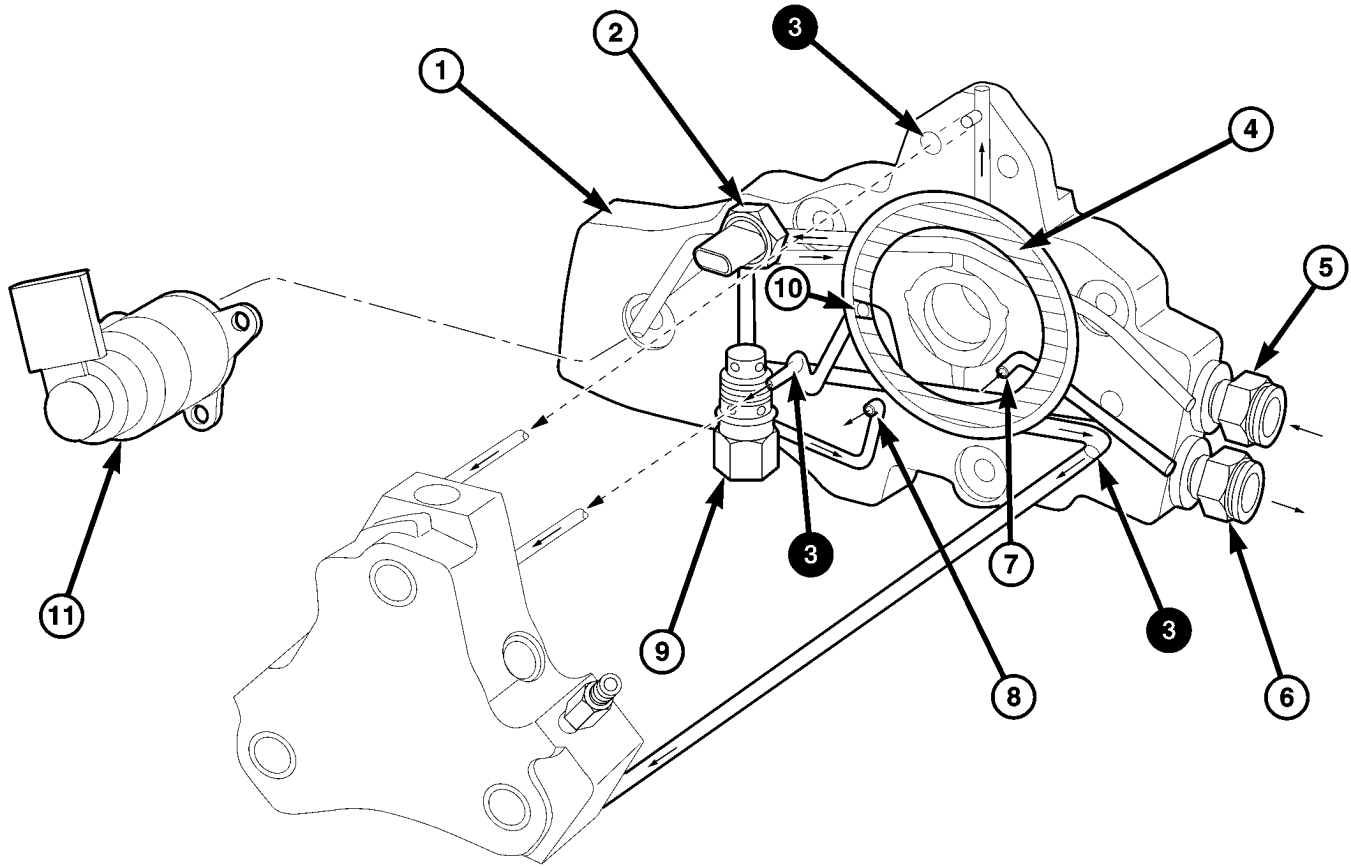
LOW PRESSURE SIDE

The fuel supplied by the low pressure pump flows through the fuel supply (5) at the high pressure pump and is passed to the fuel quantity valve (11) and the fuel pressure relief valve (9). Any air entrained by the fuel is directed through the restrictor (10) through the bleed port (7) to the return flow (6). The quantity control valve (11) controls the amount of fuel that flows along the ring passage (4) through the supply ports to the three high pressure pump elements. To lubricate the plunger and barrel assemblies when the quantity control valve is closed

(over run mode), the fuel is led directly to the circular port by the zero delivery restrictor (10) (Fig. 6).

The fuel pressure relief valve (9) limits the fuel pressure which exists at the fuel quantity control valve (11) to approximately 5 bar (72.5 psi). If the pressure is exceeded, the pressure relief valve opens and passes the fuel to the return flow (6) (Fig. 6).

The fuel pressure relief valve (9) directs a portion of the fuel as a lubricant to the eccentric shaft (8) (Fig. 6).



813d0339

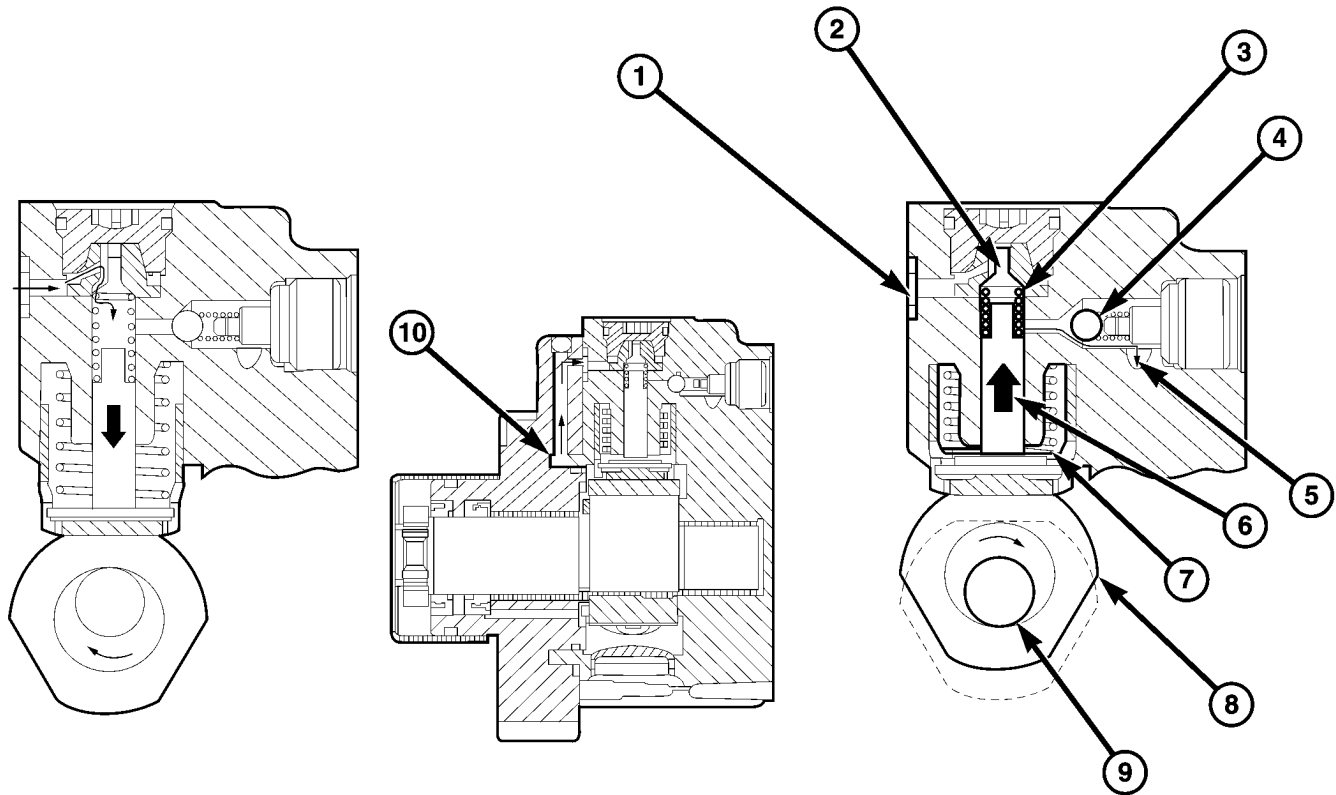
Fig. 6 LOW PRESSURE SIDE

- | | |
|----------------------------------|--------------------------------|
| 1 - HIGH PRESSURE PUMP | 7 - FUEL BLEED PORT |
| 2 - FUEL TEMPERATURE SENSOR | 8 - SHAFT LUBRICATION PORT |
| 3 - FUEL SUPPLY TO PUMP ELEMENTS | 9 - FUEL PRESSURE RELIEF VALVE |
| 4 - FUEL ANNULAR PORT | 10 - ZERO DELIVERY RESTRICTOR |
| 5 - FUEL SUPPLY | 11- FUEL QUANTITY VALVE |
| 6 - FUEL RETURN | |

HIGH PRESSURE SIDE

A. Filling the piston: The piston (6) is moved down as a result of the piston spring (7). The fuel supplied by the fuel delivery pump flows along the ring passage (10), the valve disk and the valve spring (3) into the cylinder. The check ball (4) prevents the fuel from being able to flow back from the high pressure passage (5) (Fig. 7).

B. Producing high pressure: The piston (6) is moved up by the rising eccentric shaft (9) and the fuel is compressed. The valve (2) disk shuts off the delivery volume to the fuel supply. Once the fuel pressure in the cylinder rises beyond the pressure which exists in the high pressure circuit (5), the check ball (4) opens and the fuel is pumped into the high pressure circuit (5) (Fig. 7).



INDUCTION PHASE

COMPRESSION PHASE

813d0337

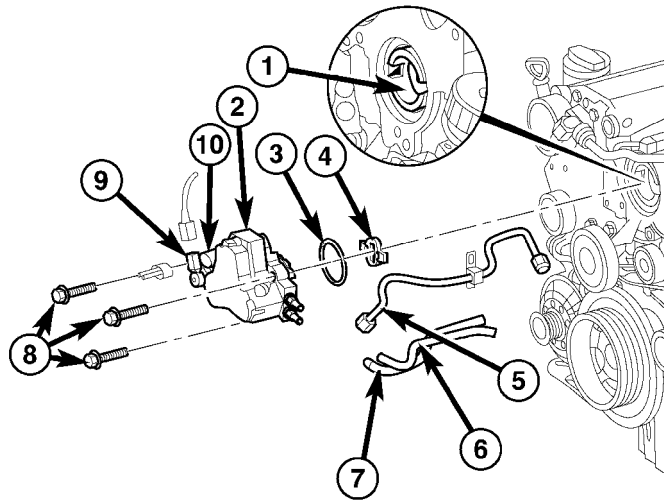
Fig. 7 PRODUCING HIGH PRESSURE

- | | |
|---------------------------|-----------------------|
| 1 - FUEL SUPPLY TO PUMP | 6 - PISTON |
| 2 - VALVE | 7 - PISTON SPRING |
| 3 - VALVE SPRING | 8 - CAM |
| 4 - CHECK BALL | 9 - ECCENTRIC SHAFT |
| 5 - HIGH PRESSURE PASSAGE | 10 - CIRCULAR PASSAGE |

OPERATION - LOW PRESSURE PUMP

When the ignition switch is on, fused battery positive voltage is supplied to the electric lift pump, which will run for 20-30 seconds and then stop. If the engine is cranked, the pump will begin running immediately supplying fuel through fuel filter and onto the high pressure pump. The lift pump and low pressure fuel circuit operate at a pressure between 3.8 -5.5 bar (55 - 80 psi.).

REMOVAL - HIGH PRESSURE PUMP



8146f170

Fig. 8 HIGH PRESSURE FUEL PUMP

- 1 - INTERMEDIATE GEAR
- 2 - HIGH PRESSURE PUMP
- 3 - SEALING RING
- 4 - DRIVER
- 5 - HIGH PRESSURE LINE
- 6 - FUEL SUPPLY LINE
- 7 - FUEL RETURN LINE
- 8 - BOLTS
- 9 - FUEL QUANTITY CONTROL VALVE
- 10 - FUEL TEMPERATURE SENSOR

(Refer to 14 - FUEL SYSTEM - WARNING)

- (1) Disconnect negative battery cable.
- (2) Remove viscous fan clutch (Refer to 7 - COOLING/ENGINE/FAN DRIVE VISCOUS CLUTCH - REMOVAL).
- (3) Unplug electrical connectors at high pressure pump.

CAUTION: DO NOT slacken the threaded connection. Use a wrench to counterhold at the threaded connection when loosening and tightening the union nut. **DO NOT EXCEED** tightening torque.

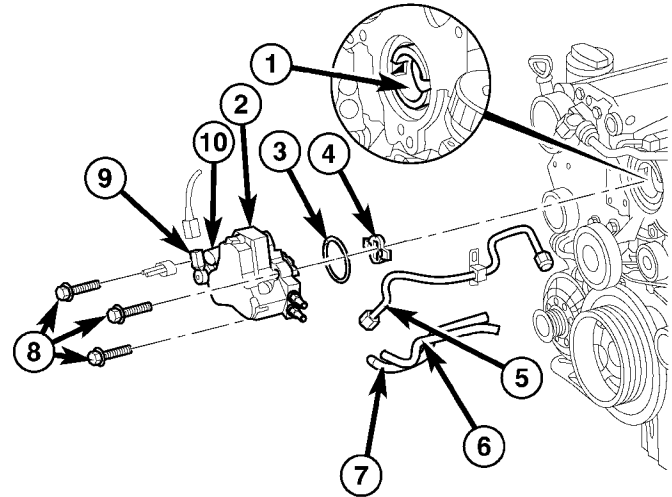
CAUTION: DO NOT crimp or bend fuel line. Capture all fluids that flow out of connections.

- (4) Disconnect the high pressure line at high pressure pump (Fig. 8).
- (5) Detach fuel supply and return flow line at high pressure pump using special tool #9539 (Fig. 8).

NOTE: Care must be taken not to drop the high pressure pump drive when removing pump. Inspect the pump drive for wear. If wear is present replace the drive and gear.

- (6) Remove bolts attaching high pressure pump and remove pump (Fig. 8).

INSTALLATION - HIGH PRESSURE PUMP



8146f170

Fig. 9 HIGH PRESSURE FUEL PUMP

- 1 - INTERMEDIATE GEAR
- 2 - HIGH PRESSURE PUMP
- 3 - SEALING RING
- 4 - DRIVER
- 5 - HIGH PRESSURE LINE
- 6 - FUEL SUPPLY LINE
- 7 - FUEL RETURN LINE
- 8 - BOLTS
- 9 - FUEL QUANTITY CONTROL VALVE
- 10 - FUEL TEMPERATURE SENSOR

(Refer to 14 - FUEL SYSTEM - WARNING)

CAUTION: Clean sealing surfaces with appropriate solvents and replace all seals.

NOTE: Inspect then attach high pressure pump drive if pump is being replaced. If wear is present at drive, replace drive and gear.

- (1) Position and secure the high pressure pump to cylinder head (Fig. 9). Tighten bolts to 14 N·m (124 lbs. in.).

CAUTION: NEVER slacken the thread connection. Use a wrench to counterhold at threaded connection when slackening and tightening torque in order to avoid also slackening the threaded connection the next time.

CAUTION: DO NOT crimp or bend fuel line. Inspect sealing cone at line; replace line if compression exists.

NOTE: Care must be taken not to cross the fuel return and supply lines during installation.

(2) Attach fuel flow supply and return lines, recrimping clamps using special tool #9539 (Fig. 9).

CAUTION: NEVER slacken the thread connection. Use a wrench to counterhold at threaded connection when slackening and tightening torque in order to avoid also slackening the threaded connection the next time.

CAUTION: DO NOT crimp or bend fuel line. Inspect sealing cone at line; replace line if compression exists.

(3) Attach high pressure fuel line to pump. Tighten to 22N·m (194 lbs.in.) (Fig. 9).

(4) Install the viscous fan.

(5) Connect negative battery cable.

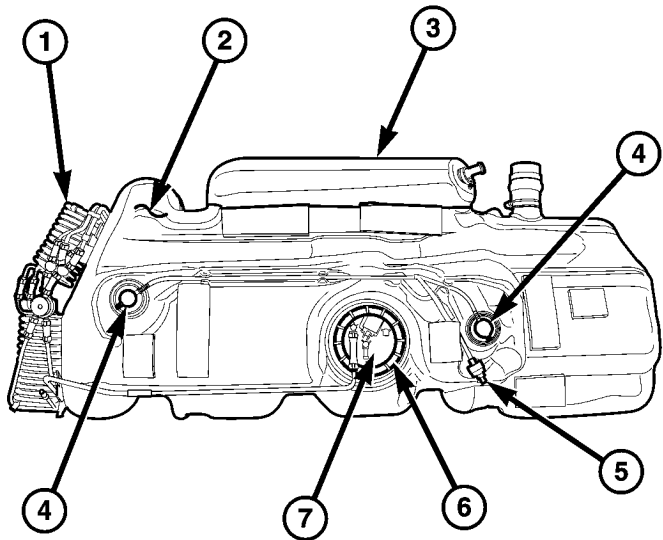
(6) Start engine, allow to run, turn engine off and inspect for leaks (Refer to 14 - FUEL SYSTEM - WARNING), (Refer to 14 - FUEL SYSTEM - DIAGNOSIS AND TESTING).

FUEL PUMP MODULE

DESCRIPTION

The fuel pump module is installed in the top of the fuel tank (Fig. 10). The pump module contains the following components:

- Electric fuel pump (transfer, or lift pump)
- Fuel reservoir
- Fuel gauge sending unit (fuel level sensor)
- Fuel supply line connection
- Fuel return line connection



8135d5f2

Fig. 10 TOP OF FUEL TANK

- 1 - Cooler Lines
- 2 - Top of Tank
- 3 - Expansion Tank
- 4 - Check Valves
- 5 - Check Valve
- 6 - Module Lock Ring
- 7 - Fuel Pump Module

Fuel is supplied to the high-pressure fuel injection pump by the low-pressure fuel transfer (lift) pump. This electric fuel pump is attached to the fuel pump module and supplies approximately 165 liters/hour (43.6 gallons/hour). A low-pressure fuel pump is not attached to the engine.

REMOVAL

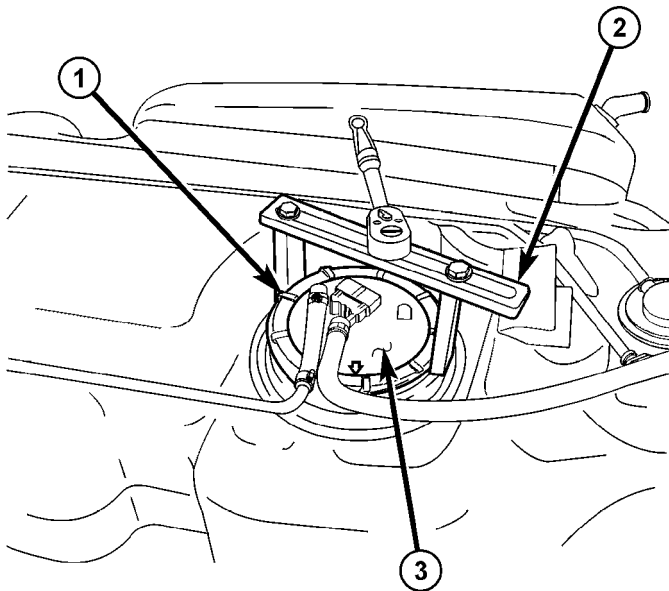
CAUTION: To prevent damage to the float rod, the float and float rod must be removed from the pump module. This step must be done before the pump module is removed from the fuel tank.

(1) Drain and remove fuel tank. Refer to Fuel Tank Removal/Installation.

(2) Thoroughly clean area around pump module at top of tank.

(3) Disconnect all fuel lines from pump module fittings.

(4) The plastic fuel pump module locknut (lock-ring) is threaded onto fuel tank. Install Special Tool #6856 to locknut and remove locknut (Fig. 11). The fuel pump module will spring up slightly after locknut is removed.

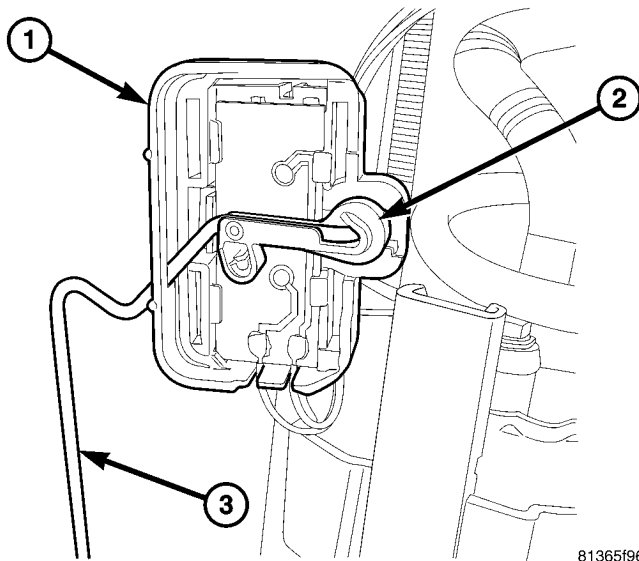


81108746

Fig. 11 FUEL PUMP MODULE R/I

- 1 - LOCKNUT (LOCKRING)
- 2 - SPECIAL TOOL #6856
- 3 - TOP OF PUMP MODULE

(5) Pull module assembly up just a few inches to gain access to float support arm/rod (3) (Fig. 12). Be careful not to bend float support rod while removing pump module.

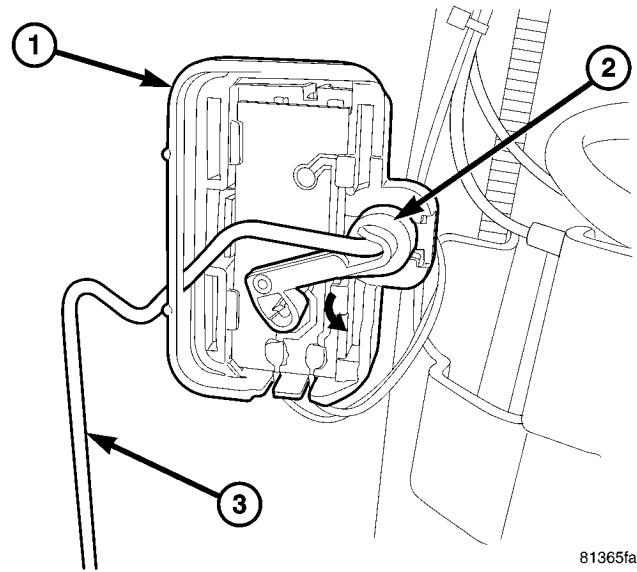


81365196

Fig. 12 FLOAT ROD CLIP

- 1 - FUEL LEVEL SENSOR
- 2 - CLIP
- 3 - FLOAT ROD

(6) Rotate clip (2) (Fig. 13) to release float rod (3) from fuel level sensor (1).

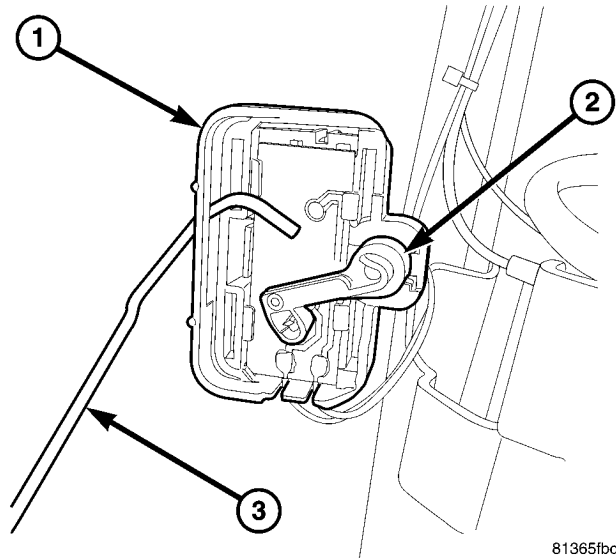


81365fad

Fig. 13 FLOAT ROD CLIP REMOVAL

- 1 - FUEL LEVEL SENSOR
- 2 - CLIP
- 3 - FLOAT ROD

(7) Twist rod (3) slightly (Fig. 14) to remove from fuel level sensor. Do not allow float assembly to fall into fuel tank.



81365fbc

Fig. 14 FLOAT ROD CLIP REMOVED

- 1 - FUEL LEVEL SENSOR
- 2 - CLIP
- 3 - FLOAT ROD

(8) While holding float rod, remove fuel pump module from fuel tank.

(9) Remove float assembly from fuel tank.

(10) Remove and discard rubber gasket (seal) from pump module.

INSTALLATION

CAUTION: Whenever the fuel pump module is serviced, the rubber gasket must be replaced.

- (1) Thoroughly clean locknut (lockring) and locknut threads at top of tank.
- (2) Position new gasket (seal) to fuel tank opening.
- (3) Position float rod assembly partially into fuel tank.
- (4) Position fuel pump module partially into fuel tank.
- (5) Twist rod (3) (Fig. 15) into clip (2) on fuel level sensor (1).

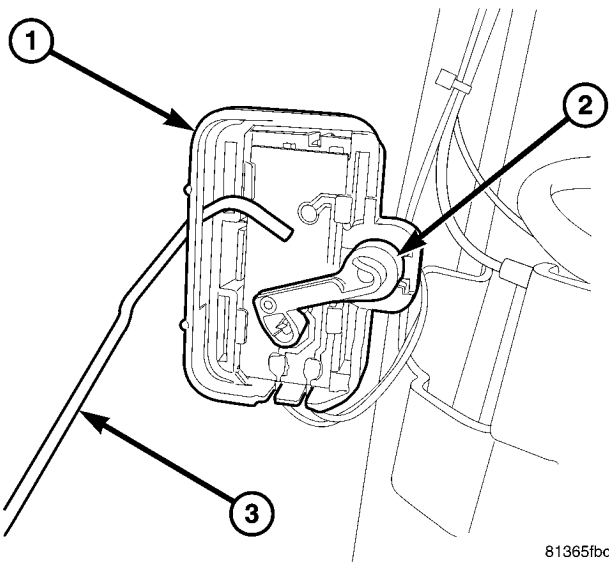


Fig. 15 FLOAT ROD CLIP INSTALLATION

- 1 - FUEL LEVEL SENSOR
- 2 - CLIP
- 3 - FLOAT ROD

- (6) Rotate clip (2) (Fig. 16) to attach rod (3) to clip.

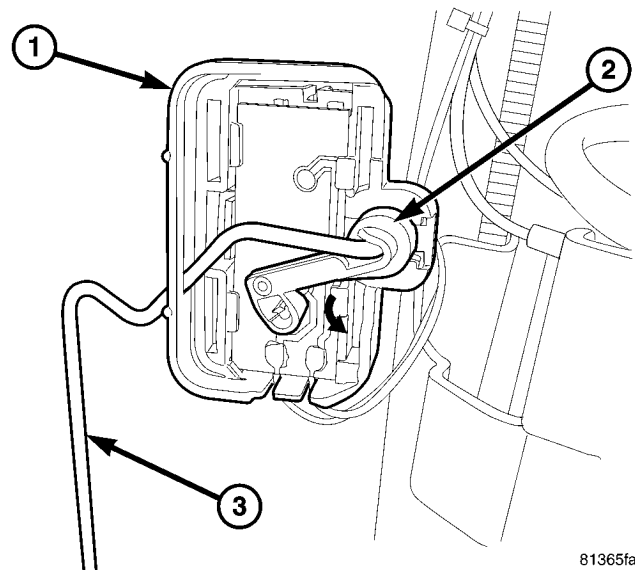


Fig. 16 FLOAT ROD CLIP INSTALLATION

- 1 - FUEL LEVEL SENSOR
- 2 - CLIP
- 3 - FLOAT ROD

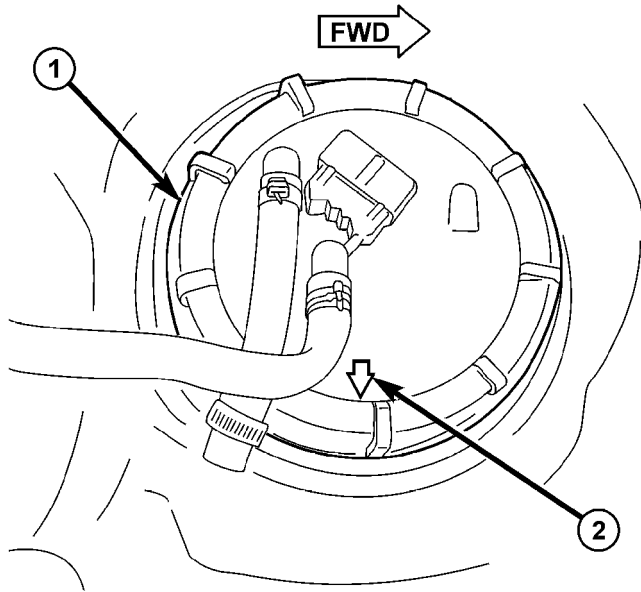
- (7) After attaching float assembly to fuel level sensor, carefully position fuel pump module into opening in fuel tank.

- (8) Position locknut over top of fuel pump module. Install locknut finger tight.

- (9) The fuel line fittings should be pointed to the right side of the vehicle. Rotate and position alignment arrow (Fig. 17) towards right side of vehicle (if necessary) before tightening locknut. **This step must be performed to prevent the module's float from contacting the side of fuel tank.**

- (10) Tighten locknut using Special Tool #6856. Refer to Torque Specifications.

- (11) Install fuel tank. Refer to Fuel Tank Removal/Installation.



8110c064

Fig. 17 ALIGN PUMP MODULE

- 1 - LOCKNUT
- 2 - ALIGNMENT ARROW (POSITION TOWARDS RIGHT SIDE OF VEHICLE)

FUEL QUANTITY CONTROL VALVE

DESCRIPTION

The fuel quantity control valve mounts to front of the high pressure pump and is controlled by the ECM. The quantity control valve assists in maintaining proper fuel quantity injected under all operating conditions. Fuel tank heat protection is also provided by the quantity control valve. The valve meters the exact amount of fuel to prevent excess heated fuel from returning to the tank.

OPERATION

The ECM monitors the fuel system and measures for pressure vibrations. The ECM will then send a pulse width signal to the quantity control valve to regulate the amount of fuel to the high pressure pump plunger and barrel assemblies. The valve then adjusts the injection correction quantity for each individual cylinder in line with the firing order, there by eliminating the pressure resonance in the fuel rail and improving each independent injectors operation. The fuel quantity valve also interrupts the fuel supply to the high pressure pump plunger and barrel assemblies when the engine is switched off.

The ECM detects the operating state which exists at the engine by means of the sensors. In order to adapt the quantity injected, either the rail pressure can be adjusted by way of the pressure regulator valve and the quantity control valve, or the actuation

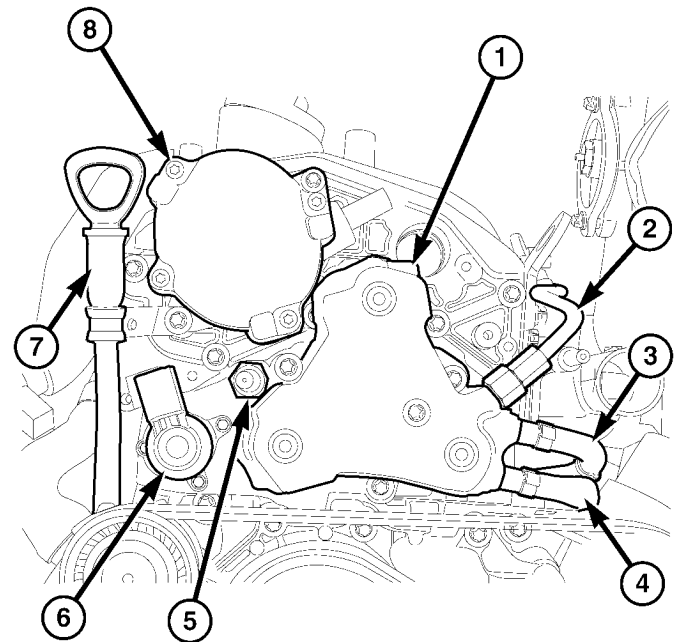
time of the solenoid valves in the fuel injectors can be extended or shortened.

Fuel quantity control is performed under the following operating conditions:

- Approximately 30 seconds after the engine has started
- Fuel temperature > 20°C (68°F)
- Engine not in deceleration mode

REMOVAL

- (1) Disconnect the negative battery cable.
- (2) Disconnect the control valve wiring harness connector (Fig. 18).
- (3) Remove the valve fasteners and remove the control valve (Fig. 18).



812f1fa4

Fig. 18 HIGH PRESSURE FUEL PUMP

- 1 - HIGH PRESSURE PUMP
- 2 - FUEL SUPPLY TO FUEL RAIL
- 3 - FUEL SUPPLY LINE
- 4 - FUEL RETURN LINE
- 5 - FUEL TEMPERATURE SENSOR
- 6 - FUEL QUANTITY CONTROL VALVE
- 7 - OIL LEVEL INDICATOR
- 8 - VACUUM PUMP

INSTALLATION

- (1) Clean sealing surfaces.
- (2) Install new seal on sensor.
- (3) Position the control valve on to the high pressure pump and install fasteners (Fig. 19).
- (4) Connect wiring harness connector to control valve (Fig. 19).
- (5) Connect negative battery cable.
- (6) Start the engine, allow to run, turn engine off and inspect for leaks (Refer to 14 - FUEL SYSTEM/ FUEL INJECTION - WARNING).

FUEL RAIL

DESCRIPTION

The fuel rail acts like a high pressure store. It is available to all injectors for drawing fuel which has been compressed by the high pressure injection pump. The rail pressure sensor, rail pressure control valve, high pressure line, and the return flow line are attached to the fuel rail.

OPERATION

The stored fuel volume inside the rail acts as a damper for pressure fluctuations which result because of pulsating supply and brief large extractions of fuel during injector firing. The rail primarily influences the atomization of fuel at the injector nozzle, and the accuracy of injected quantity during injection.

REMOVAL

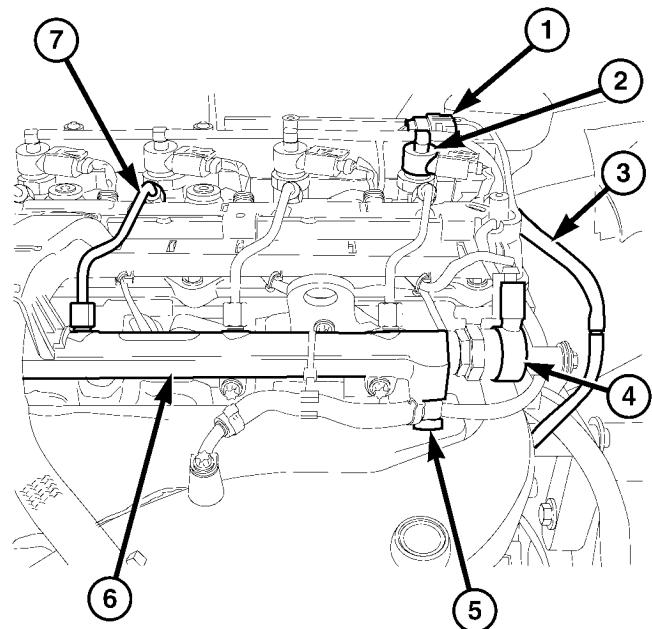
(Refer to 14 - FUEL SYSTEM - WARNING).

WARNING: NO SPARKS, OPEN FLAMES OR SMOKING. RISK OF POISONING FROM INHALING AND SWALLOWING FUEL. RISK OF INJURY TO EYES AND SKIN FROM CONTACT WITH FUEL. POUR FUELS ONLY INTO SUITABLE AND APPROPRIATELY MARKED CONTAINERS. WEAR PROTECTIVE CLOTHING.

- (1) Disconnect negative battery cable.
- (2) Remove the engine cover.
- (3) Disconnect the intake manifold air inlet duct and position aside.
- (4) Disconnect the fuel rail pressure and control valve wiring harness connectors.
- (5) Remove engine harness retaining bolts and unclip the engine harness from the fuel rail.
- (6) Remove injector high pressure lines (Fig. 19)
- (7) Remove fuel rail retaining bolts (Fig. 19).

CAUTION: When slackening and tightening fuel injection line union nuts, counter hold with wrench at threaded connection. **ON NO ACCOUNT** exceed the tightening torque at any time. **Do NOT** crimp or bend lines.

NOTE: After removing lines, seal connections and ensure cleanliness.



812e0a36

Fig. 19 FUEL RAIL

- 1 - CAMSHAFT POSITION SENSOR
- 2 - FUEL INJECTOR
- 3 - FUEL INJECTOR VALLEY DRAIN
- 4 - FUEL RAIL PRESSURE CONTROL VALVE
- 5 - BANJO BOLT
- 6 - FUEL RAIL
- 7 - HIGH PRESSURE FUEL LINE

- (8) Detach fuel return flow line to high pressure pump at rail
- (9) Detach fuel return flow line at banjo bolt (Fig. 19)
- (10) Remove fuel rail.

INSTALLATION

(Refer to 14 - FUEL SYSTEM - WARNING)

WARNING: NO FIRE, FLAMES OR SMOKING. RISK OF POISONING FROM INHALING OR SWALLOWING FUEL. RISK OF INJURY TO EYES AND SKIN FROM CONTACT WITH FUEL. POUR FUELS ONLY INTO SUITABLE AND APPROPRIATELY MARKED CONTAINERS. WEAR PROTECTIVE CLOTHING.

- (1) Loosely position fuel rail into proper position on the cylinder head and hand tighten the fasteners.
- (2) Connect the fuel pressure control valve harness connector (Fig. 19).
- (3) Connect the fuel return lines at the banjo bolt (Fig. 19).

CAUTION: Inspect sealing cones at the lines. Replace as necessary. Ensure that all fuel pressure lines are exactly located in original position.

- (4) Install the high pressure fuel lines and hand tighten.

(5) Tighten fuel rail bolts to 14 N·m (124 in. lbs.) (Fig. 19)

CAUTION: When tightening fuel injection line union nuts, counter hold with a wrench at the thread connection. ON NO ACCOUNT exceed the tightening torque at any time.

(6) Tighten the pressure line to the fuel rail to 20 N·m (177 in. lbs.).

(7) Tighten the high pressure fuel lines at the fuel rail to 22 N·m (195 in. lbs.).

(8) Reconnect engine harness electrical connectors.

(9) Connect the intake manifold air inlet duct.

(10) Connect negative battery cable.

CAUTION: Care must be taken when installing the engine cover. Assure the proper routing of the fuel injector return fuel hose to the banjo bolt fitting in the left rear corner of the cover. Failure to do so may pinch or damage the hose causing fuel leakage or a driveability concern.

WARNING: USE EXTREME CAUTION WHEN THE ENGINE IS OPERATING. DO NOT STAND IN A DIRECT LINE WITH FAN. DO NOT PUT YOUR HANDS NEAR PULLEYS, BELTS OR FAN. DO NOT WEAR LOOSE CLOTHING.

(11) Start engine, run for a few minutes, turn the engine off and inspect for leaks (Refer to 14 - FUEL SYSTEM - WARNING).

FUEL TANK

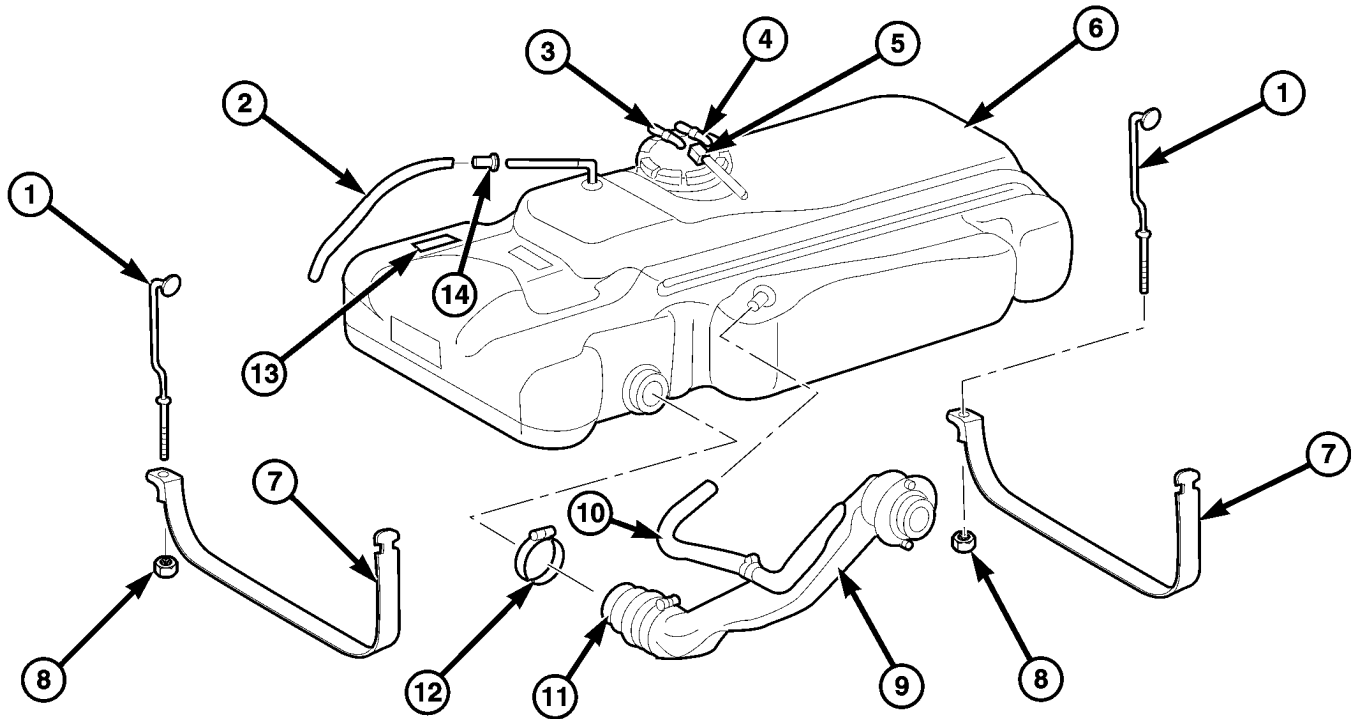
DESCRIPTION

The plastic fuel tank (Fig. 20) is mounted to the frame rails under the left/center side of the vehicle. The fuel tank contains a serviceable fuel pump module with an electric fuel pump, and a fuel level sending unit. The tank is also equipped with 2 fuel lines: a fuel supply line to the fuel pump, and a separate fuel return line.

Fuel Temperature Control: A section of the fuel return line is coiled at the rear section of the tank (Fig. 21). This coiled section is used to help drop the temperature of fuel returning to the tank. A thermostat (preheating valve) (3) (Fig. 21) is used to keep fuel temperature below 167 degrees F. If fuel temperature is above 167 degrees F, fuel passes first through the coiled cooler lines, and then into the fuel tank. If fuel temperature is below 150 degrees F, fuel bypasses the coiled cooler lines, and is returned directly into the fuel tank.

An electric fuel pump (more commonly referred to in diesel applications as a fuel transfer pump or fuel lift pump) is attached to the fuel pump module. This

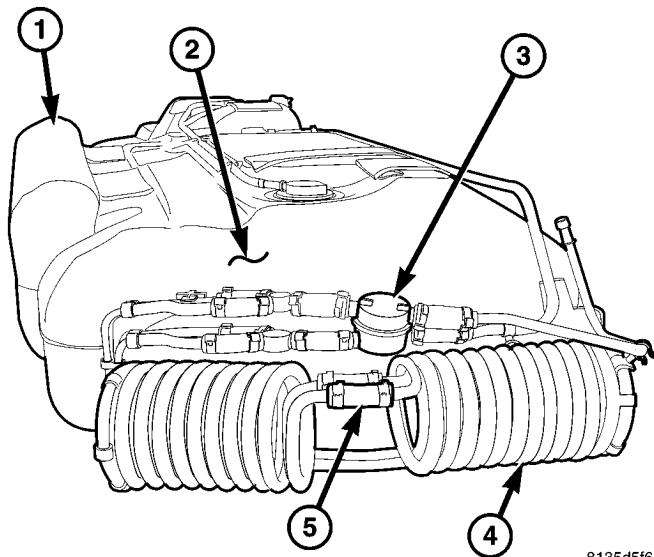
module (Fig. 22) is located in the fuel tank. Refer to Fuel Pump Module for additional information.



81350a9e

Fig. 20 FUEL TANK ASSEMBLY

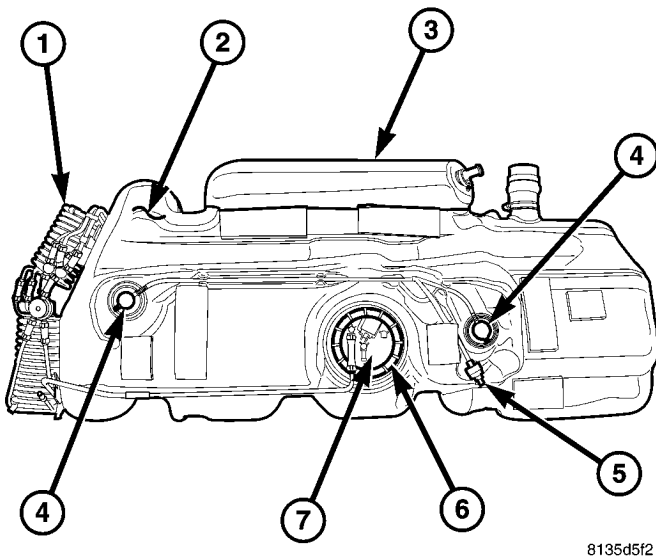
- | | |
|---------------------------------|--------------------------|
| 1 - Strap Bolts (2) | 8 - Nuts (2) |
| 2 - Hose (not with all engines) | 9 - Filler Tube |
| 3 - Fuel Outlet Line | 10 - Vent Hose |
| 4 - Fuel Return Line | 11 - Hose |
| 5 - Plug | 12 - Clamps |
| 6 - Fuel Tank | 13 - Cushioning Material |
| 7 - Tank Straps (2) | 14 - Two-Way Valve |



8135d5f6

Fig. 21 FUEL COOLER LINES

- | |
|-----------------------------------|
| 1 - Expansion Tank |
| 2 - Top of Tank |
| 3 - Thermostat (Preheating Valve) |
| 4 - Cooler Lines |
| 5 - Connecting Hoses/Clamps |



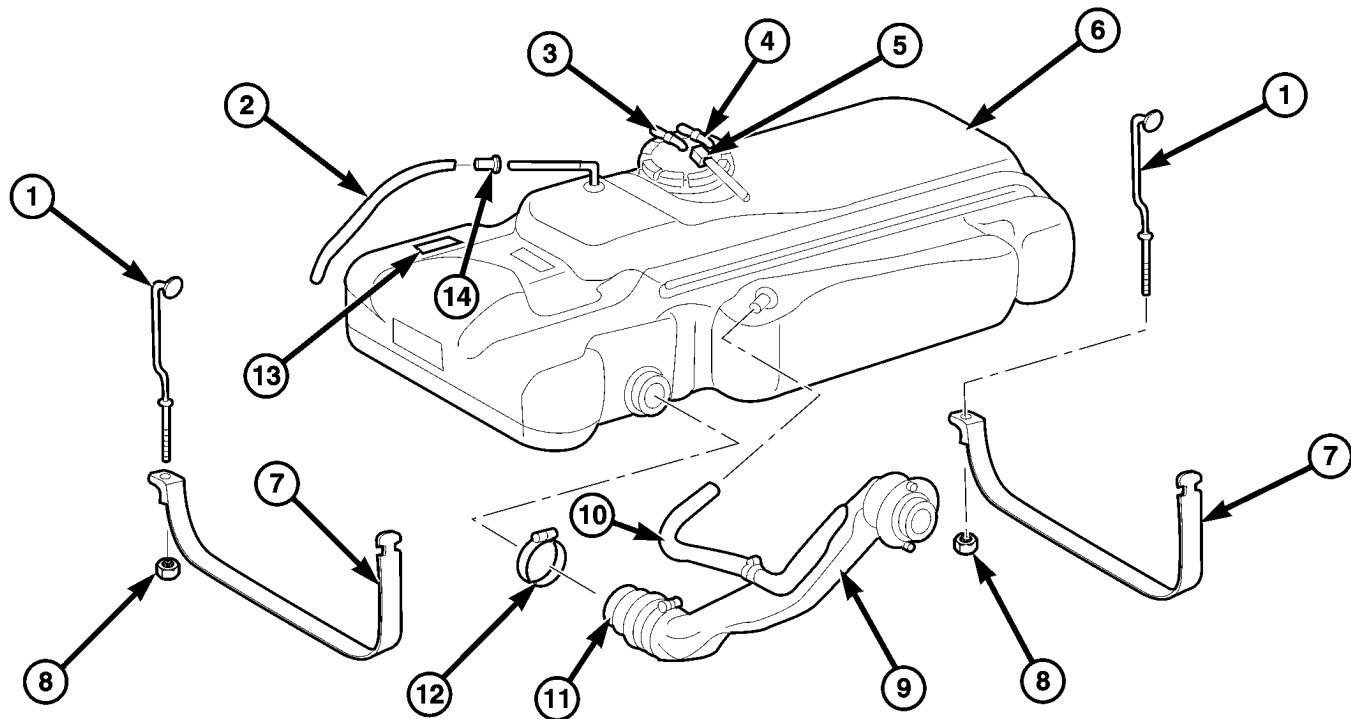
8135d5f2

Fig. 22 TOP OF FUEL TANK

- 1 - Cooler Lines
- 2 - Top of Tank
- 3 - Expansion Tank
- 4 - Check Valves
- 5 - Check Valve
- 6 - Module Lock Ring
- 7 - Fuel Pump Module

REMOVAL

- (1) Drain diesel fuel from tank. Refer to Standard Procedure — Draining Fuel Tank — Diesel.
- (2) Disconnect fuel fill and vent lines from body.
- (3) Raise and support vehicle.
- (4) Support tank with a hydraulic jack.
- (5) Remove 2 fuel tank strap nuts (8) (Fig. 23) and position straps (7) towards left side of vehicle.
- (6) Carefully lower tank a few inches and disconnect electrical connector at top of fuel pump module.
- (7) Disconnect fuel supply line at tank.
- (8) Disconnect fuel return line at tank.
- (9) Continue to carefully lower tank for removal.
- (10) If fuel pump module is to be removed, thoroughly clean area at top of fuel pump around module.
- (11) If fuel tank is to be replaced, remove fuel pump module from tank. Refer to Fuel Pump Module Removal/Installation procedures.
- (12) If fuel cooler lines (Fig. 24) are to be removed, use special pliers #9539 (Fig. 25).

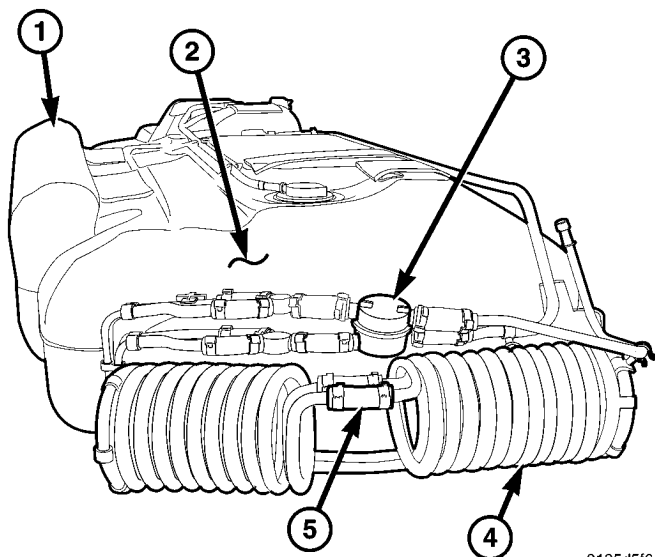


81350a9e

Fig. 23 FUEL TANK ASSEMBLY

- 1 - Strap Bolts (2)
- 2 - Hose (not with all engines)
- 3 - Fuel Outlet Line
- 4 - Fuel Return Line
- 5 - Plug
- 6 - Fuel Tank
- 7 - Tank Straps (2)

- 8 - Nuts (2)
- 9 - Filler Tube
- 10 - Vent Hose
- 11 - Hose
- 12 - Clamps
- 13 - Cushioning Material
- 14 - Two-Way Valve



8135d5f6

Fig. 24 FUEL COOLER LINES

- 1 - Expansion Tank
- 2 - Top of Tank
- 3 - Thermostat (Preheating Valve)
- 4 - Cooler Lines
- 5 - Connecting Hoses/Clamps

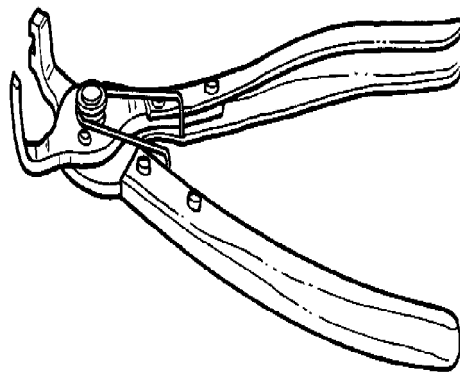
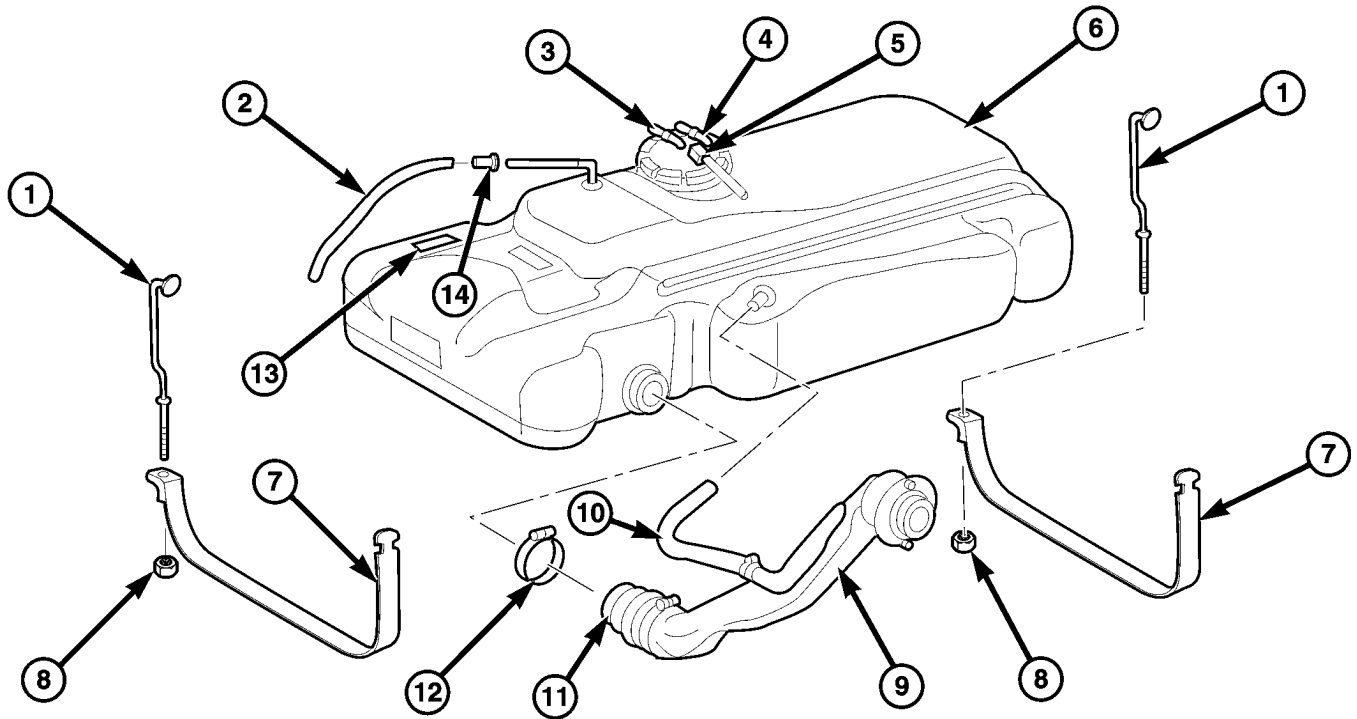


Fig. 25 FUEL LINE PLIERS-9539

INSTALLATION

- (1) If fuel cooler lines (Fig. 27) are to be installed, use special pliers #9539 (Fig. 28).
- (2) If fuel tank is to be replaced, install fuel pump module into tank. Refer to Fuel Pump Module Removal/Installation procedures.
- (3) Position fuel tank to hydraulic jack.
- (4) Raise tank until positioned near body.

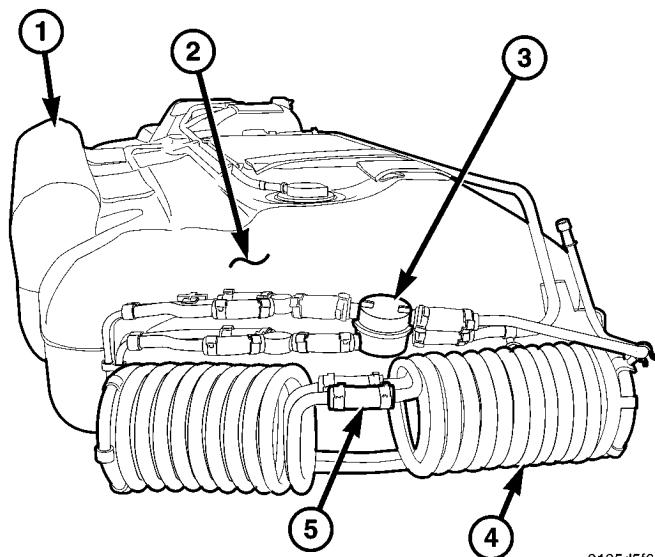
- (5) Connect fuel pump module electrical connector at top of tank.
- (6) Connect fuel supply and return lines.
- (7) Continue raising tank while guiding fill hose into body. Raise tank until positioned snug to body.
- (8) Install and position both fuel tank support straps (7) (Fig. 26) to mounting bolts (1).
- (9) Install 2 fuel tank strap nuts (8). Refer to Torque Specifications.
- (10) Remove hydraulic jack.
- (11) Connect fill and vent hoses to body. Install ground wire to fill hose.
- (12) Lower vehicle.
- (13) Fill fuel tank with fuel.
- (14) Start engine and check for fuel leaks near top of module.



81350a9e

Fig. 26 FUEL TANK ASSEMBLY

- | | |
|---------------------------------|--------------------------|
| 1 - Strap Bolts (2) | 8 - Nuts (2) |
| 2 - Hose (not with all engines) | 9 - Filler Tube |
| 3 - Fuel Outlet Line | 10 - Vent Hose |
| 4 - Fuel Return Line | 11 - Hose |
| 5 - Plug | 12 - Clamps |
| 6 - Fuel Tank | 13 - Cushioning Material |
| 7 - Tank Straps (2) | 14 - Two-Way Valve |



8135d5f6

Fig. 27 FUEL COOLER LINES

- | |
|-----------------------------------|
| 1 - Expansion Tank |
| 2 - Top of Tank |
| 3 - Thermostat (Preheating Valve) |
| 4 - Cooler Lines |
| 5 - Connecting Hoses/Clamps |

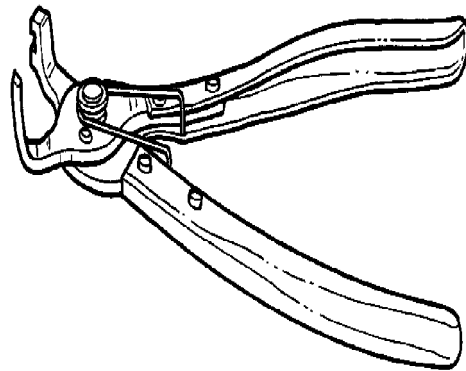


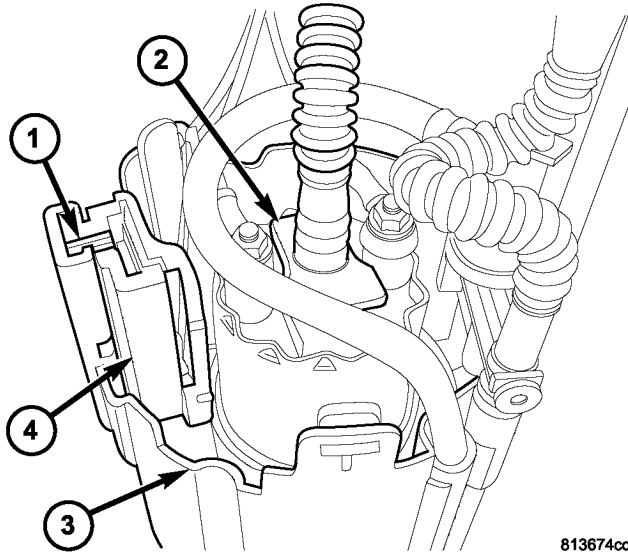
Fig. 28 FUEL LINE PLIERS-9539

FUEL LEVEL SENDING UNIT / SENSOR

DESCRIPTION

The fuel gauge sending unit (fuel level sensor) is attached to the side of the fuel pump module (Fig. 29). The sending unit consists of a float, an arm, and

a variable resistor track (card).



813674cd

Fig. 29 FUEL LEVEL SENSOR

- 1 - RELEASE TABS
- 2 - ELECTRIC FUEL PUMP
- 3 - BOTTOM OF FUEL PUMP MODULE
- 4 - SENDING UNIT

REMOVAL

The fuel level sending unit (fuel level sensor) and float assembly is located on the side of the fuel pump module (4) (Fig. 30).

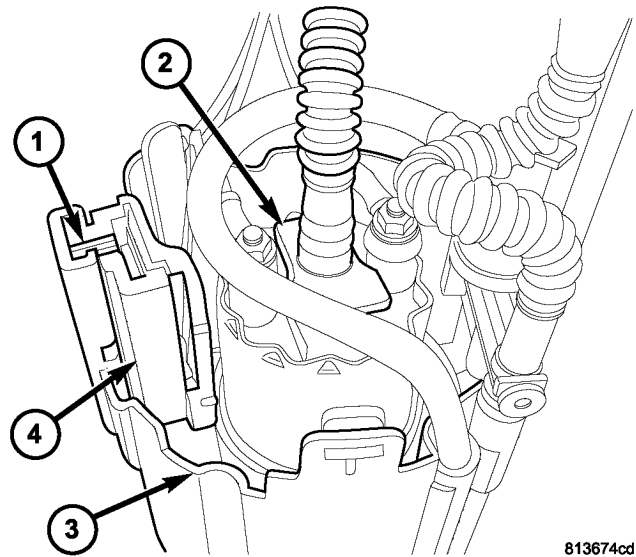
(1) Remove fuel pump module from fuel tank. Refer to Fuel Pump Module Removal/Installation.

(2) Unplug sensor's 2-wire harness from pump module electrical connector.

(3) Before disconnecting wiring from 2-wire harness electrical connector, note position of each wire in the connector. Record this position.

(4) Disconnect wiring from 2-wire harness electrical connector using a terminal pick / removal tool. Refer to Special Tools in 8W, Wiring for tool part numbers.

(5) To remove sending unit from pump module, press on plastic locking tabs (1) (Fig. 30) while sliding sending unit (4) on its tracks.



813674cd

Fig. 30 FUEL LEVEL SENSOR

- 1 - RELEASE TABS
- 2 - ELECTRIC FUEL PUMP
- 3 - BOTTOM OF FUEL PUMP MODULE
- 4 - SENDING UNIT

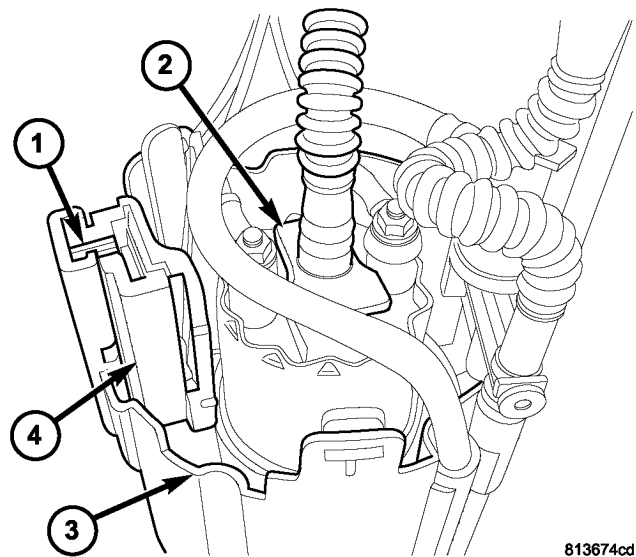
INSTALLATION

(1) Noting their previous positions, connect wires from 2-wire harness into its connector.

(2) Plug 2-wire harness connector into pump module electrical connector.

(3) Position sending unit (4) (Fig. 31) to tracks on fuel pump module. Slide and snap into place.

(4) Install fuel pump module. Refer to Fuel Pump Module Removal/Installation.



813674cd

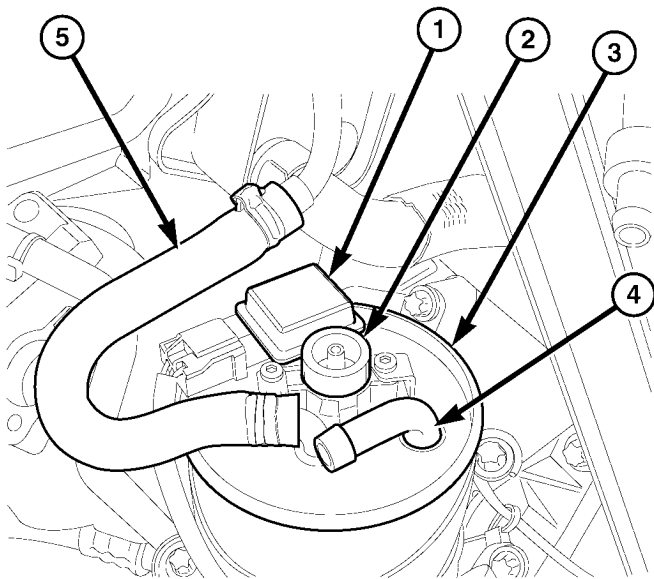
Fig. 31 FUEL LEVEL SENSOR

- 1 - RELEASE TABS
- 2 - ELECTRIC FUEL PUMP
- 3 - BOTTOM OF FUEL PUMP MODULE
- 4 - SENDING UNIT

WATER IN FUEL SENSOR

DESCRIPTION

The water in fuel sensor (WIF) is located in the fuel filter housing (Fig. 32). The sensor detects the presence of water in the fuel. If water is present in the fuel a signal is sent to the ECM and the ECM signals the instrument cluster, over the CAN bus, to illuminate the water in fuel warning.



81317d17

Fig. 32 WATER IN FUEL SENSOR

- 1 - WIF SENSOR
- 2 - WIF DRAIN
- 3 - FUEL FILTER
- 4 - FUEL SUPPLY FROM TANK
- 5 - FUEL SUPPLY TO HIGH PRESSURE PUMP

OPERATION

The non-dielectric properties of the water allow the sensors probes to close the electronic circuit when water is present in the system. When diesel fuel is present in the system, it's dielectric (does not conduct electricity well) properties do not allow any electrical contact between the probes. A 12V power signal is always present in order to illuminate the indicator on the instrument cluster. For removal and installation procedure refer to (Refer to 14 - FUEL SYSTEM/ FUEL DELIVERY/ FUEL FILTER - REMOVAL).

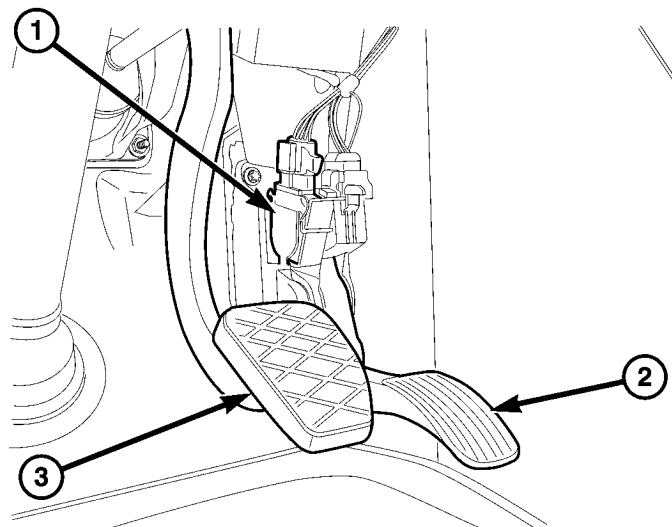
FUEL INJECTION

TABLE OF CONTENTS

	page		page
ACCELERATOR PEDAL POSITION SENSOR		REMOVAL	39
DESCRIPTION	32	INSTALLATION	40
REMOVAL	32	FUEL PRESSURE SOLENOID	
INSTALLATION	32	DESCRIPTION	40
BOOST PRESSURE SENSOR		OPERATION	40
DESCRIPTION	33	STANDARD PROCEDURE - FUEL PRESSURE	
OPERATION	33	SOLENOID TEST	41
DIAGNOSIS AND TESTING - BOOST		REMOVAL	41
PRESSURE SENSOR	33	INSTALLATION	41
REMOVAL	33	FUEL TEMPERATURE SENSOR	
INSTALLATION	33	DESCRIPTION	42
CAMSHAFT POSITION SENSOR		OPERATION	42
DESCRIPTION	33	REMOVAL	42
OPERATION	34	INSTALLATION	42
REMOVAL	34	INTAKE AIR TEMPERATURE SENSOR	
INSTALLATION	34	DESCRIPTION	42
CRANKSHAFT POSITION SENSOR		OPERATION	43
DESCRIPTION	35	REMOVAL	43
OPERATION	35	INSTALLATION	43
REMOVAL	35	INTAKE AIR PRESSURE SENSOR	
INSTALLATION	35	DESCRIPTION	43
FUEL INJECTOR		OPERATION	43
DESCRIPTION		REMOVAL	43
FUEL INJECTOR	35	INSTALLATION	44
OPERATION	36	MANIFOLD AIR FLOW (MAF) SENSOR	
STANDARD PROCEDURE		DESCRIPTION	44
STANDARD PROCEDURE - INJECTOR		OPERATION	44
CLASSIFICATION	37	REMOVAL	44
CLEANING FUEL INJECTORS	38	INSTALLATION	45
REMOVAL	38	O2 SENSOR	
INSTALLATION	39	DESCRIPTION	45
FUEL PRESSURE SENSOR		OPERATION	45
DESCRIPTION	39	REMOVAL	48
OPERATION	39	INSTALLATION	48

ACCELERATOR PEDAL POSITION SENSOR

DESCRIPTION



815df54b

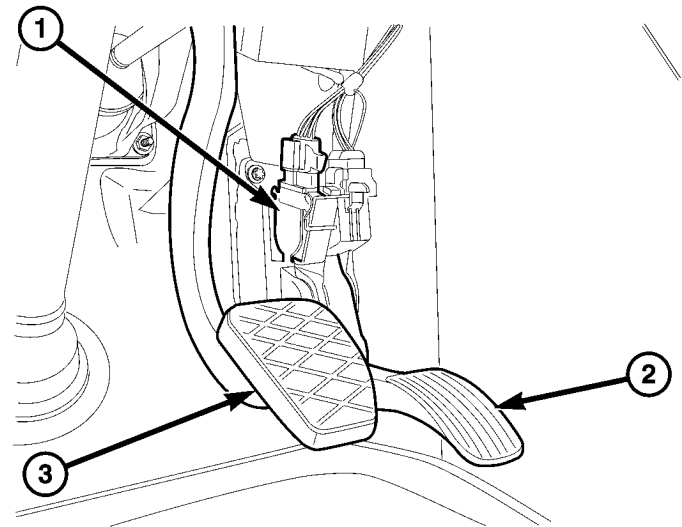
Fig. 1 ACCELERATOR PEDAL POSITION SENSOR

- 1 - APP SENSOR
- 2 - ACCELERATOR PEDAL
- 3 - BRAKE PEDAL

The accelerator pedal position sensor (Fig. 1) is located on the accelerator pedal assembly. The driver supplies the torque requirements for the engine by operating the accelerator pedal in accordance with the desired speed or acceleration. The pedal sensor converts the mechanical operation of the pedal into an electrical signal and sends the information to the ECM. The ECM adjusts the quantity of the fuel that is injected into the engine.

The accelerator pedal position sensor is serviced as an assembly with the accelerator pedal assembly.

REMOVAL



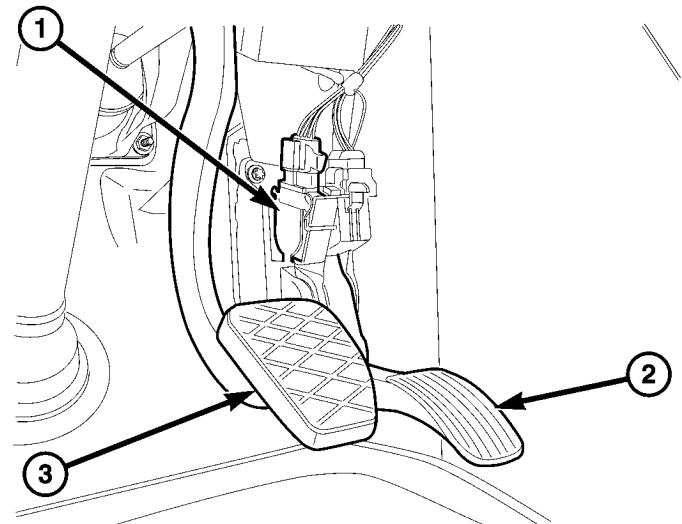
815df54b

Fig. 2 ACCELERATOR PEDAL POSITION SENSOR

- 1 - APP SENSOR
- 2 - ACCELERATOR PEDAL
- 3 - BRAKE PEDAL

- (1) Disconnect the negative battery cable.
- (2) Disconnect the APP sensor electrical connectors.
- (3) Remove the APP sensor fasteners and the sensor (Fig. 2).

INSTALLATION



815df54b

Fig. 3 ACCELERATOR PEDAL POSITION SENSOR

- 1 - APP SENSOR
- 2 - ACCELERATOR PEDAL
- 3 - BRAKE PEDAL

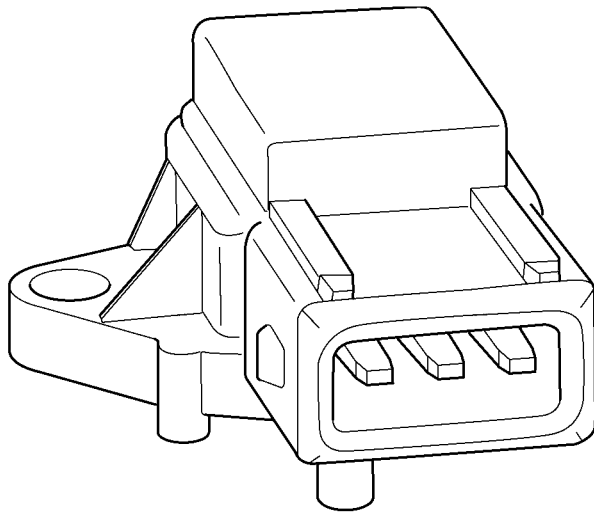
- (1) Connect the accelerator pedal position sensor wiring harness connector.

- (2) Position the sensor (Fig. 3) and install the fasteners.
- (3) Connect the negative battery cable.

BOOST PRESSURE SENSOR

DESCRIPTION

The boost pressure sensor is mounted to the charge air pipe (Fig. 4). The sensor allows the ECM to monitor intake air down stream of the turbocharger.



810ad4f6

Fig. 4 BOOST PRESSURE SENSOR

OPERATION

When the intake manifold pressure is high due to turbo boost, sensor voltage output is 2.0-4.7 volts. The sensor receives a 5-volts reference from the ECM. Sensor ground is also provided by the ECM. The ECM uses boost pressure combined with intake air temperature to determine the volume of air entering the engine (Fig. 4).

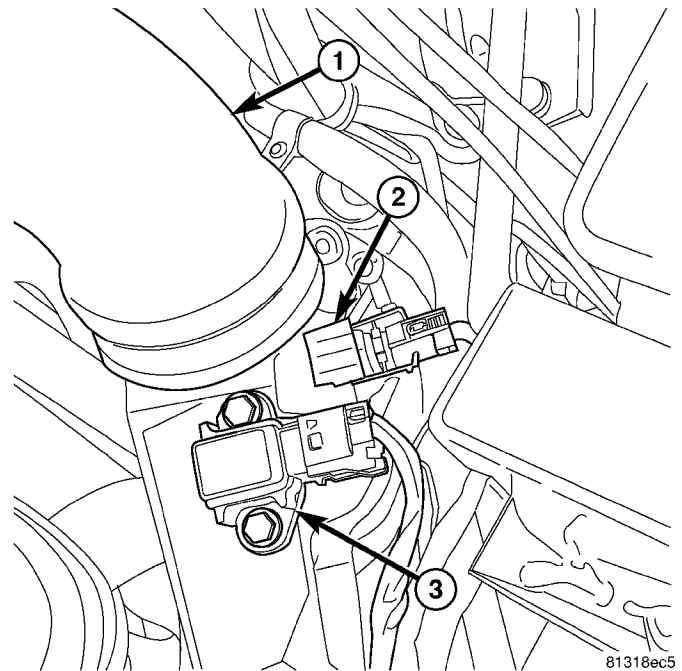
DIAGNOSIS AND TESTING - BOOST PRESSURE SENSOR

If the boost pressure sensor fails, the ECM records a DTC into memory and continues to operate the engine in one of the three limp-in modes. When the ECM is operating in this mode, a loss of power will be present, as if the turbocharger was not operating. The best method for diagnosing faults with the boost pressure sensor is with the DRB III® scan tool. Refer to the Diesel Powertrain Diagnostic Manual for more information.

Refer to On-Board Diagnostics in Emissions Control System for a list of Diagnostic Trouble Codes (DTC's) for certain fuel system components.

REMOVAL

- (1) Disconnect the negative battery cable.
- (2) Unplug the electrical connector.
- (3) Remove the sensor retaining bolts, remove the sensor (Fig. 5) and O-ring.



81318ec5

Fig. 5 BOOST PRESSURE AND INLET AIR TEMPERATURE SENSORS

- 1 - CHARGE AIR DUCT
- 2 - INTAKE AIR TEMPERATURE SENSOR
- 3 - BOOST PRESSURE SENSOR

INSTALLATION

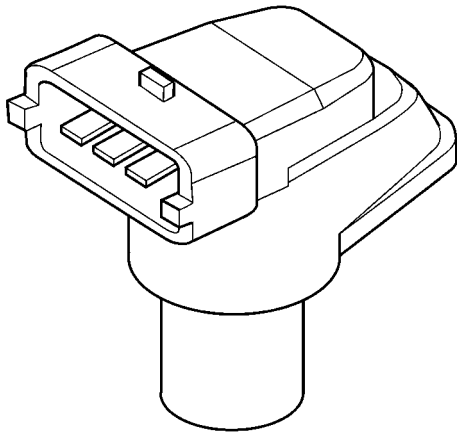
- (1) Inspect boost pressure sensor O-ring for cuts or abrasions, replace as necessary.
- (2) Position the boost pressure sensor above access hole in the charge air pipe and push down to fit flush (Fig. 21).
- (3) Install the bolts and tighten to 44 lbs. in. (5 N·m) (Fig. 21).
- (4) Reconnect the sensor electrical connector (Fig. 21).
- (5) Connect negative battery cable

CAMSHAFT POSITION SENSOR

DESCRIPTION

The camshaft position sensor is mounted on the cylinder head cover toward the rear of the engine. The camshaft sensor (Fig. 6) utilizes a non contact method on one segment of the camshaft to record the camshaft position. When the ECM receives the signal from this sensor, it can then detect TDC of cylinder number one. The signal from the camshaft sensor is only required during engine starting. Injection timing

is synchronized by means of the camshaft signal and the crankshaft signal.



8108bc4b

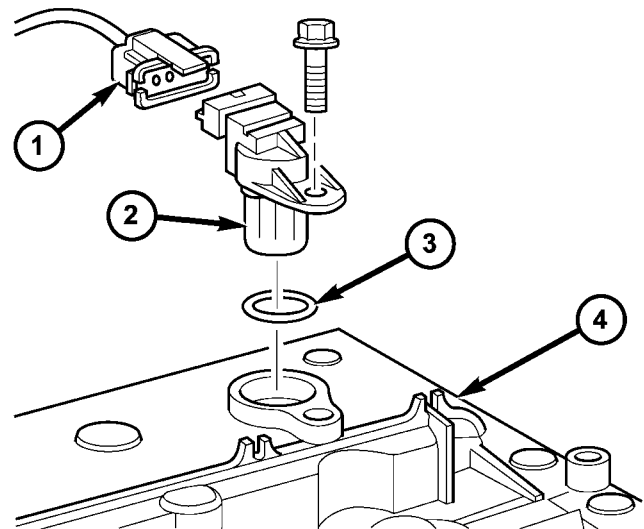
Fig. 6 CAMSHAFT POSITION SENSOR

OPERATION

On the camshaft sensor's signal line, a high signal corresponds to a voltage of 0-5V. If the segment machined into the exhaust camshaft sprocket is positioned opposite the camshaft sensor, the camshaft signal is low, approximately 0V. This signal is used by the engine control module (ECM) for detecting ignition TDC of cylinder 1 as the engine rotates. If no signal is supplied by the camshaft position sensor, the vehicle will not start because cylinder order can not be detected.

REMOVAL

- (1) Disconnect negative battery cable.
- (2) Remove engine cover
- (3) Disconnect camshaft position sensor electrical connector (Fig. 7).
- (4) Remove retaining bolt and remove sensor (Fig. 7).

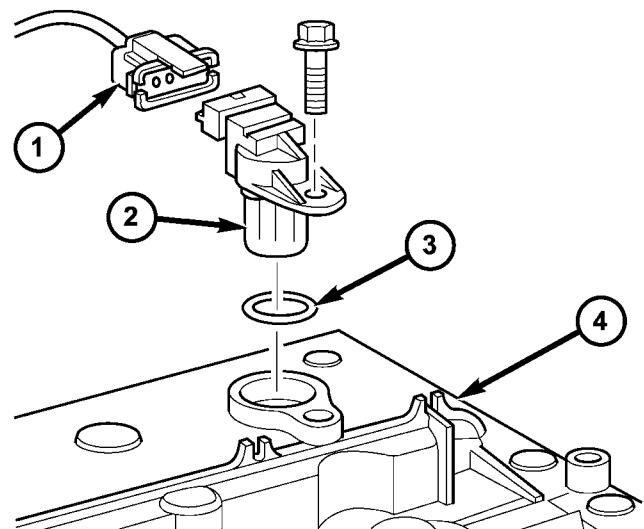


8108bcc6

Fig. 7 CAM POSITION SENSOR

- 1 - WIRING HARNESS CONNECTOR
- 2 - CAM POSITION SENSOR
- 3 - O-RING
- 4 - CYLINDER HEAD COVER

INSTALLATION



8108bcc6

Fig. 8 CAM POSITION SENSOR

- 1 - WIRING HARNESS CONNECTOR
- 2 - CAM POSITION SENSOR
- 3 - O-RING
- 4 - CYLINDER HEAD COVER

(1) Install camshaft position sensor and tighten bolt (Fig. 8).

(2) Reconnect electrical connector (Fig. 8).

- (3) Install engine cover.
- (4) Reconnect negative battery cable.

CRANKSHAFT POSITION SENSOR

DESCRIPTION

The crankshaft position sensor is located opposite the teeth on the flywheel and uses a non contact method to record the position of the crankshaft. The leading edges of each tooth on the flywheel generate a positive signal in the position sensor, while the trailing edges generate a negative signal. When the crankshaft is rotating, an alternating voltage is produced as a result.

The period of the signal is the time required by the crankshaft to turn through the gap between two flywheel teeth. The clearance between the crankshaft position sensor and the teeth of the flywheel is fixed by the installation.

Two teeth on the flywheel are missing. The resulting signal gap is used by the ECM to detect the TDC position of cylinder number one.

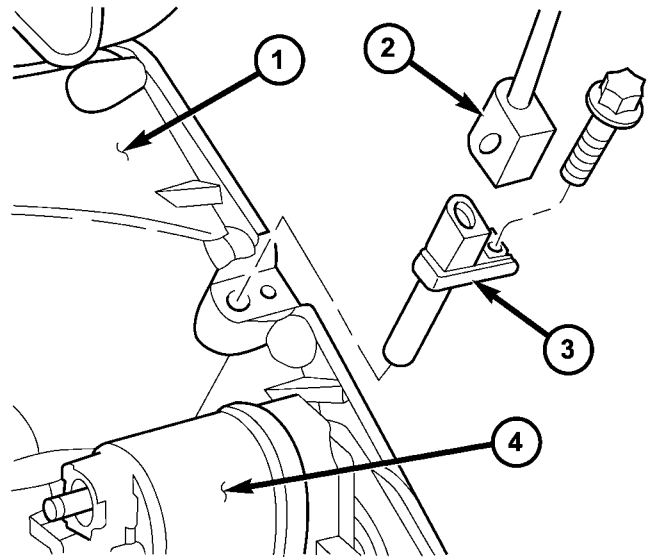
OPERATION

The clearance between the crankshaft position sensor and the flywheel are fixed by the installation position. Two teeth on the flywheel are missing. The resulting gap is used by the ECM to detect DTC of cylinder number one. The crankshaft position is calculated to an accuracy of a fraction of a degree so that the start and end of injection can occur at exactly the right moment. The engine speed signal is also processed by the ECM from the crankshaft sensor. This signal is then transferred to other control modules over the CAN bus.

If the crankshaft position sensor fails, the ECM will stop triggering the injectors, the engine will stall, the engine warning light may or may not illuminate, but the engine will not restart.

REMOVAL

- (1) Disconnect the negative battery cable.
- (2) Unplug the crankshaft wiring harness connector.
- (3) Remove the crankshaft sensor retaining bolt and remove sensor (Fig. 9).



8108be07

Fig. 9 CRANKSHAFT POSITION SENSOR

- 1 - ENGINE BLOCK
- 2 - WIRING HARNESS CONNECTOR
- 3 - CRANKSHAFT POSITION SENSOR
- 4 - STARTER SOLENOID

INSTALLATION

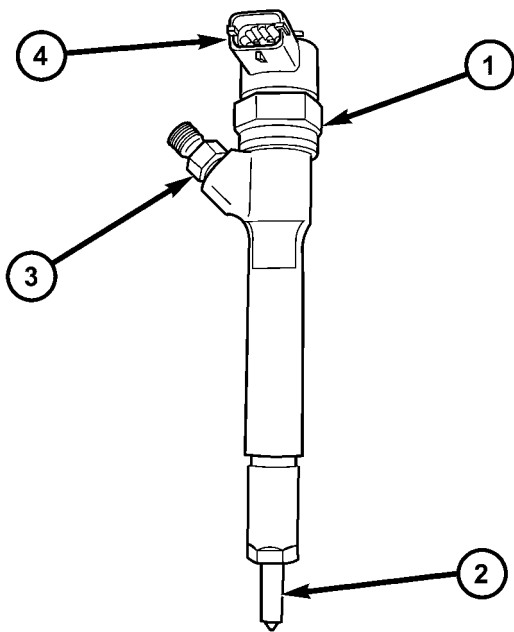
- (1) Position the crankshaft position sensor into the access hole and install retaining bolt.
- (2) Tighten the retaining bolt to 80 lbs. in. (9 N·m) (Fig. 9).
- (3) Connect crankshaft position sensor wiring harness connector (Fig. 9).
- (4) Connect negative battery cable.

FUEL INJECTOR

DESCRIPTION

FUEL INJECTOR

There are individual fuel injectors for all five cylinders. Each injector nozzle has seven holes. The fuel injectors are used to spray fuel into the combustion chamber. Each injector has a six digit alphanumeric code on the injector top which must be entered into to ECM using the DRBIII® (Fig. 10). Specific moving parts inside the injector are graphite coated to assist with the lubrication process.



80b4da8e

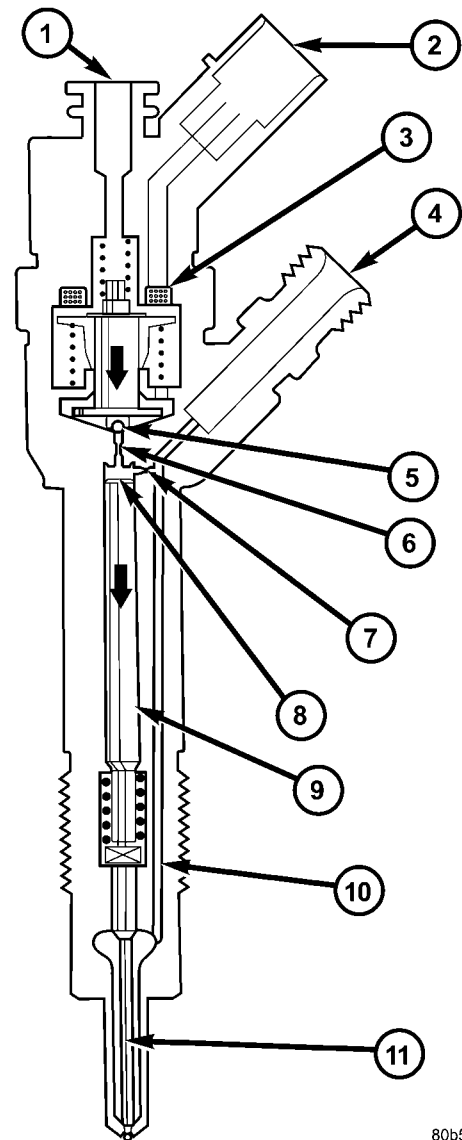
Fig. 10 FUEL INJECTOR

- 1 - FUEL INJECTOR
- 2 - NOZZLE
- 3 - FUEL INLET FITTING
- 4 - ELECTRICAL CONNECTION

OPERATION

The injector operation can be subdivided into four operating states with the engine running and the high-pressure pump generating pressure:

- Injector closed (with high pressure applied)
- Injector opens (start of injection)
- Injector opened fully
- Injector closes (end of injection)



80b52382

Fig. 11 INJECTOR COMPONENTS

- 1 - INJECTOR CLOSED (AT-REST STATUS)
- 2 - ELECTRICAL CONNECTION
- 3 - TRIGGERING ELEMENT (SOLENOID VALVE)
- 4 - FUEL INLET (HIGH PRESSURE) FROM THE RAIL
- 5 - VALVE BALL
- 6 - BLEED ORIFICE
- 7 - FEED ORIFICE
- 8 - VALVE CONTROL CHAMBER
- 9 - VALVE CONTROL PLUNGER
- 10 - FEED PASSAGE TO THE NOZZLE
- 11 - NOZZLE NEEDLE

Injector closed (with high pressure applied)

With the injector closed (at-rest state), the solenoid valve is not energized and is therefore closed. With the bleed orifice closed, the valve spring forces the armature's ball onto the bleed-orifice seat. The rail's high pressure build up in the valve control chamber, and the same pressure is also present in the nozzle's chamber volume. The rail pressure applied at the control plunger's end face, together with the force of the nozzle spring, maintain the nozzle in the closed

position against the opening forces applied to its pressure stage (Fig. 11).

Injector opens (start of injection)

The solenoid valve is energized with the pickup current which serves to ensure that it open quickly. The force exerted by the triggered solenoid now exceeds that of the valve spring and the armature opens the bleed orifice. Almost immediately, the high-level pick-up current is reduced to the lower holding current required for the electromagnet. This is possible due to the magnetic circuit's air gap now being smaller. When the bleed orifice opens, fuel can flow from the valve control chamber into the cavity situated above it, and from there via the fuel return to the tank. The bleed orifice prevents complete pressure balance, and the pressure in the valve control chamber sinks as a result. This leads to the pressure in the valve-control chamber being lower than that in the nozzle's chamber volume which is still at the same pressure level as the rail. The reduced pressure in the valve-control chamber causes a reduction in the force exerted on the control plunger, the nozzle needle open as a result, and injection starts (Fig. 11).

Injector opens fully

The control plunger reaches its upper stop where it remains supported by a cushion of fuel which is generated by the flow of fuel between the bleed and feed orifices. The injector nozzle has now opened fully, and the fuel is injected into the combustion chamber at a pressure almost equal to that in the fuel rail (Fig. 11).

Injector closes (end of injection)

As soon as the solenoid valve is no longer triggered, the valve spring forces the armature downwards and the ball closes the bleed orifice. The armature is a 2-piece design. Here, although the armature plate is guided by a driver shoulder in its downward movement, it can "overspring" with the return spring so that it exerts no downwards-acting forces on the armature and the ball. The closing of the bleed orifice lead to pressure build up in the control chamber via the input from the feed orifice. This pressure is the same as that in the rail and exerts an increased force on the control plunger through its end face. This force, together with that of the spring, now exceeds the force exerted by the chamber volume and the nozzle needle closes. Injection ceases as soon as the nozzle needle comes up against its bottom stop again (Fig. 11).

STANDARD PROCEDURE

STANDARD PROCEDURE - INJECTOR CLASSIFICATION

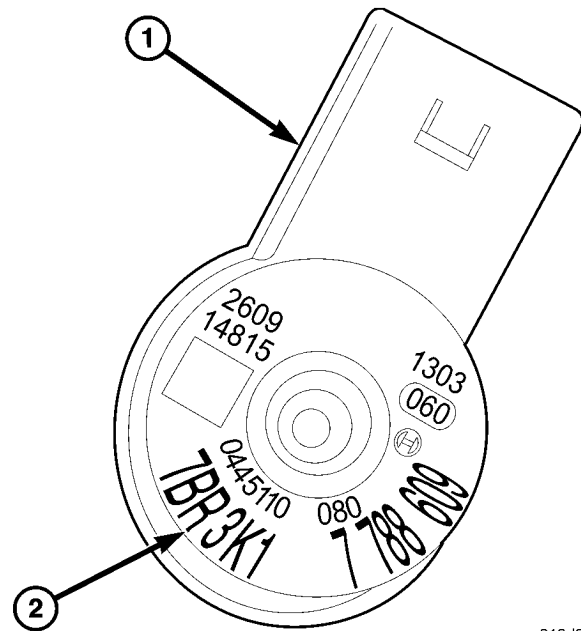
NOTE: Fuel Injectors have different flow rates. When ALL injectors are removed, re-enter all injector six digit codes.

The classification of injectors into 3 classes describes the quantity characteristic of the injector. This will make it possible in the future to match the engine software to the tolerances of the injector within a more narrowly graduated range. Classification can be clearly recognized, and assigned only by means of a DRBIII®.

Classified injectors can be recognized by the six-digit alphanumeric code or part number and identification on the magnetic head (circle with a number between 1 and 3 inside) (Fig. 12). The number corresponds to the classification stage.

These general conditions equally apply if, as a result of replacing an engine, carrying out repairs to the cylinder head etc., the cylinder selective assignment of the injectors or the engine control module assignment may have changed. If proper attention is not paid to the classification on these vehicles driveability and smoking concerns could result.

If an injector is replaced, it is then necessary to assign the classification number to the corresponding cylinder with the **DRBIII®** in the control module.



813d280e

Fig. 12 INJECTOR CLASSIFICATION MARKINGS

- 1 - ELECTRICAL CONNECTOR
- 2 - SIX-DIGIT ALPHANUMERIC CODE

INJECTOR CLASSIFICATION PROCEDURE

- (1) Turn ignition switch "ON".
- (2) Using a DRB III® and select ENGINE then MISCELLANEOUS.
- (3) Select LEARN INJECTORS.
- (4) Using the up and down arrows, scroll to the appropriate injector.
- (5) Using the right and left arrows, set injector to proper classification.
- (6) Once injectors are classified, cycle ignition to complete.

CLEANING FUEL INJECTORS

NOTE: Before cleaning the injector recesses, seal the injector holes in the injector recesses with the appropriate pin to prevent debris from falling into the recesses and entering the motor.

- (1) Seal the injector holes inside the cylinder head recesses.
- (2) Wipe out injector recesses with a non-woven cloth, then clean with a cylinder brush.
- (3) Clean the bottom of the cylinder recess with a round brush.
- (4) Blow out the recess and clean again with a non-woven cloth and cover over.
- (5) Perform these steps for each injector recess.

NOTE: DO NOT clean the tip of the injector with a wire brush. Use a non - woven cloth.

- (6) Clean injector body with a wire brush.
- (7) Clean injector tips with a non-woven cloth.

NOTE: Do Not apply antiseize lubricant to the injector nozzle area.

- (8) Grease injector body with anti seize lubricant.

NOTE: Always replace the seals that seal off the injectors at the cylinder head to the combustion chamber and replace the retaining screws.

REMOVAL

WARNING: NO SPARKS, OPEN FLAMES OR SMOKING. RISK OF POISONING FROM INHALING AND SWALLOWING FUEL. RISK OF INJURY TO EYES AND SKIN FROM CONTACT WITH FUEL. POUR FUELS ONLY INTO SUITABLE AND APPROPRIATELY MARKED CONTAINERS. WEAR PROTECTIVE CLOTHING.

NOTE: When removing injectors, the seal rings and retaining stretch bolts must always be replaced. Coat the injector body with the anti-seize com-

pound before installing. Keep lubricant away from the injector nozzle.

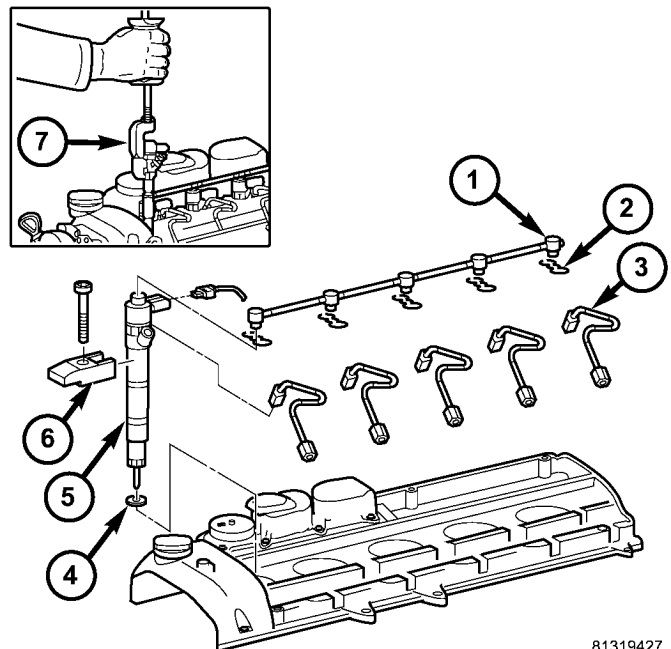
- (1) Disconnect negative battery cable.
- (2) Remove engine cover (Refer to 9 - ENGINE - REMOVAL).
- (3) Remove the fuel return hose locking clamps at the injector and remove return hose.
- (4) Disconnect the injector electrical connector (Fig. 13).

NOTE: Counterhold injection lines with wrench socket at threaded connections of injectors.

- (5) Disconnect fuel injector high pressure line (Fig. 13).
- (6) Remove fuel injector retaining bolt and tension claw, then remove the injector and seal (Fig. 13).

NOTE: If injectors are tight, remove with extraction claw in place of tensioning claw. If extraction claw contacts cylinder head cover, remove cylinder head cover. If necessary, remove injectors with threaded adaptor and discard injector.

- (7) Remove injectors (Fig. 13).



81319427

Fig. 13 FUEL INJECTOR REMOVAL / INSTALLATION

- 1 - FUEL INJECTOR RETURN LINE
- 2 - RETAINING CLIP
- 3 - INJECTOR HIGH PRESSURE LINE
- 4 - INJECTOR SEAL
- 5 - FUEL INJECTOR
- 6 - TENSIONING CLAW
- 7 - SPECIAL TOOLS #8938 AND # 8937

- (8) Clean injectors and recesses (Refer to 14 - FUEL SYSTEM/FUEL INJECTION/FUEL INJECTOR - STANDARD PROCEDURE).

INSTALLATION

WARNING: NO SPARKS, OPEN FLAMES OR SMOKING. RISK OF POISONING FROM INHALING AND SWALLOWING FUEL. RISK OF INJURY TO EYES AND SKIN FROM CONTACT WITH FUEL. POUR FUELS ONLY INTO SUITABLE AND APPROPRIATELY MARKED CONTAINERS. WEAR PROTECTIVE CLOTHING.

NOTE: When removing injectors, the seal rings and retaining stretch bolts must always be replaced. Coat the injector body with the anti-seize compound before installing. Keep lubricant away from the injector nozzle.

- (1) Clean injectors and recesses (Refer to 14 - FUEL SYSTEM/FUEL INJECTION/FUEL INJECTOR - STANDARD PROCEDURE).
- (2) Coat injector body with anti seize lubricant then install injectors with new seals.
- (3) Install tensioning claws with new screws at injectors. Tighten screws in two stages, 7 N·m (62 lbs. in.) then 90° (Fig. 13).

NOTE: If locking clamp has been pulled off at injector, the locking clamp must be replaced.

- (4) Position fuel return line at injectors and secure locking clamps (Fig. 13).

NOTE: Counterhold injection lines with wrench socket at threaded connections of injectors. DO NOT over tighten.

- (5) Install high pressure injection lines (Refer to 14 - FUEL SYSTEM/FUEL DELIVERY/FUEL LINES - INSTALLATION).
- (6) Reconnect injector electrical connectors (Fig. 13).
- (7) Connect negative battery cable.

NOTE: Fuel Injectors have different flow rates. When injectors are removed, re-enter all injector six digit codes.

- (8) Program all injector codes into the ECM using the scan tool.
- (9) Start engine, allow to run, turn engine off and inspect for leaks (Refer to 14 - FUEL SYSTEM - WARNING).

CAUTION: Care must be taken when installing the engine cover. Assure the proper routing of the fuel injector return fuel hose to the banjo bolt fitting in the left rear corner of the cover. Failure to do so may pinch or damage the hose causing fuel leakage or a driveability concern.

- (10) Install engine cover (Refer to 9 - ENGINE - INSTALLATION)..

FUEL PRESSURE SENSOR

DESCRIPTION

The fuel rail pressure sensor measures the current fuel rail pressure and supplies an appropriate voltage signal to the ECM. The non-constant fuel system pressure influences the position of the internal diaphragm. This results in a variation in the electrical resistance which is analyzed by the ECM.

OPERATION

The fuel rail pressure sensor measures the current fuel rail pressure and sends a voltage signal to the ECM. The ECM then actuates the fuel rail pressure control valve until the desired rail pressure is achieved.

REMOVAL

- (1) (Refer to 14 - FUEL SYSTEM/FUEL INJECTION - WARNING) Disconnect the negative battery cable.
- (2) Remove the mixing housing.
- (3) Unplug the sensor (Fig. 14).
- (4) Counter-hold the threaded connection at the fuel rail and unscrew the sensor (Fig. 14).

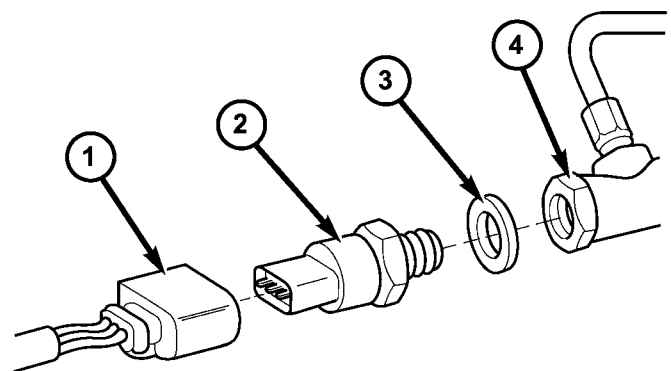


Fig. 14 FUEL RAIL PRESSURE SENSOR

- 1 - WIRING CONNECTOR
- 2 - FUEL RAIL PRESSURE SENSOR
- 3 - SEALING RING
- 4 - FUEL RAIL

INSTALLATION

(1) (Refer to 14 - FUEL SYSTEM/FUEL INJECTION - WARNING) Install the sealing ring on to the sensor (Fig. 14).

(2) Screw the sensor in to the fuel rail. Counterhold the threaded connection and tighten the sensor to 18 lbs. ft. (25 N·m.) (Fig. 14).

(3) Connect the wiring harness to the sensor.

(4) Install the mixing housing.

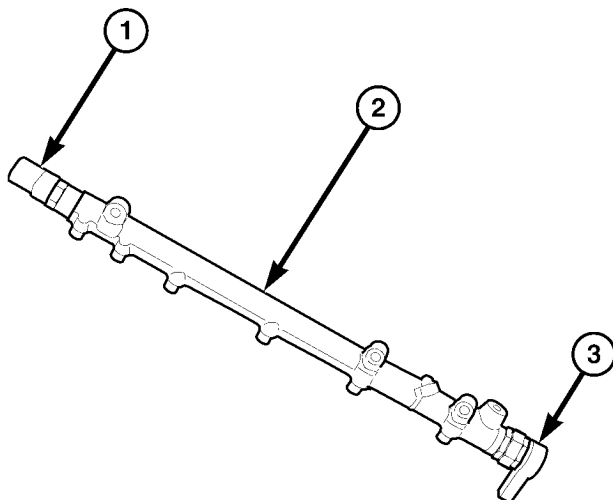
CAUTION: Care must be taken when installing the engine cover. Assure the proper routing of the fuel injector return fuel hose to the banjo bolt fitting in the left rear corner of the cover. Failure to do so may pinch or damage the hose causing fuel leakage or a driveability concern.

(5) Connect negative battery cable.

FUEL PRESSURE SOLENOID

DESCRIPTION

The fuel pressure solenoid is attached to the rear of the fuel rail. A sealing metal disc seals the valve to the rail. The seal is not serviceable and loses its sealing properties upon removal of the solenoid. Therefore, the solenoid must be replaced when ever it is removed from the rail. The solenoid controls and maintains the rail pressure constant along with a control current transmitted by the engine control module (ECM) (Fig. 15).



81319542

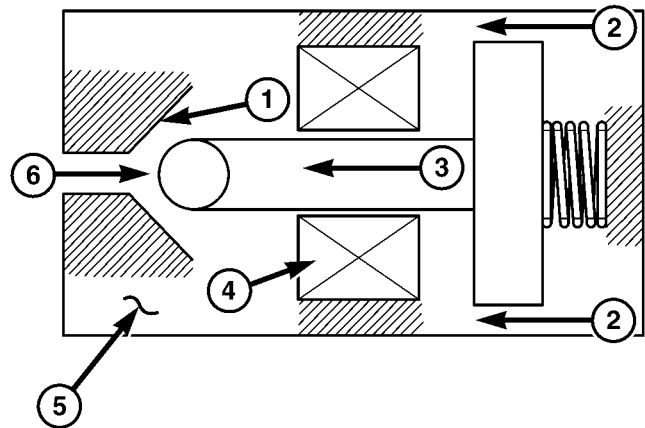
Fig. 15 FUEL PRESSURE SOLENOID

- 1 - FUEL PRESSURE SENSOR
- 2 - FUEL RAIL
- 3 - FUEL PRESSURE SOLENOID

OPERATION

High pressure which is present in the fuel rail flows to the ball seat of the pressure solenoid (Fig. 16). The specified pressure required by the system is built up in the rail by the fuel pressure solenoid building up a magnetic force which corresponds to this specific pressure by means of a control current from the electronic control module (ECM) (Fig. 16). This magnetic force equals a certain outlet cross section at the ball seat of the valve. The rail pressure is altered as a result of the quantity of fuel which flows off (Fig. 16). The current fuel pressure is signaled by the fuel rail pressure sensor to the engine control module (ECM). The controlled fuel flows back along the return fuel line, into the tank.

In a de-energized state, the fuel pressure solenoid is closed as the spring force presses the ball into the ball seat (Fig. 16). When driving, the fuel pressure solenoid is constantly open (Fig. 16). When engine is started, the fuel pressure solenoid is held closed by magnetic force (Fig. 16). When driving, the pressure of the fluid counteracts the magnetic force of the coil and the slight spring force (Fig. 16).



80e1a220

Fig. 16 FUEL PRESSURE SOLENOID OPERATION

- 1 - BALL SEAT
- 2 - SPRING FORCE
- 3 - MAGNETIC FORCE
- 4 - COIL
- 5 - FUEL PRESSURE SOLENOID
- 6 - HIGH PRESSURE SUPPLY

STANDARD PROCEDURE - FUEL PRESSURE SOLENOID TEST

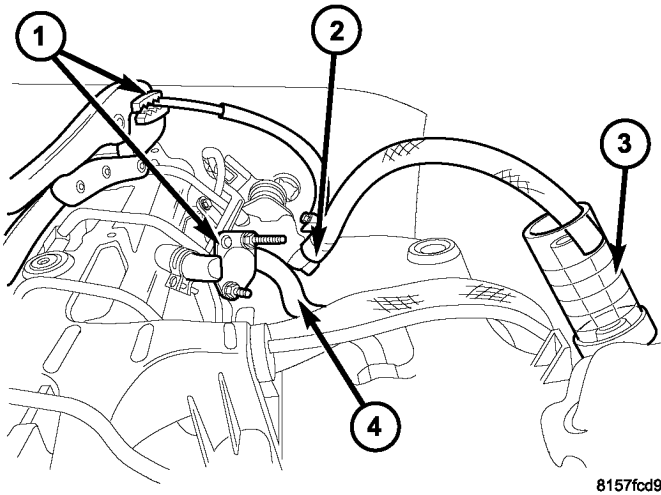


Fig. 17 CHECKING FUEL RAIL PRESSURE SOLENOID LEAKAGE

- 1 - CLAMP RUBBER FUEL RETURN HOSES
- 2 - ATTACH SEPARATE RUBBER FUEL HOSE
- 3 - CONTAINER TO MEASURE FUEL LEAKAGE
- 4 - DISCONNECT RUBBER RETURN HOSE

(1) Disconnect the large fuel rail return hose at the banjo fitting and clamp it off. Attach a jumper hose to the banjo fitting and direct the hose into a test vial. Crank the engine for 10 seconds (Fig. 17).

If return fuel is present in the test vial, replace the fuel pressure solenoid.

REMOVAL

Review the high pressure fuel system warning before beginning repair (Refer to 14 - FUEL SYSTEM - WARNING)

WARNING: NO SPARKS, OPEN FLAMES OR SMOKING. RISK OF POISONING FROM INHALING AND SWALLOWING FUEL. RISK OF INJURY TO EYES AND SKIN FROM CONTACT WITH FUEL. POUR FUELS ONLY INTO SUITABLE AND APPROPRIATELY MARKED CONTAINERS. WEAR PROTECTIVE CLOTHING.

- (1) Disconnect negative battery cable.
- (2) Remove fuel rail (Refer to 14 - FUEL SYSTEM/FUEL INJECTION/FUEL INJECTOR - REMOVAL).
- (3) Clamp fuel rail securely in vise with protective jaws.

NOTE: Once removed, the solenoid must always be replaced.

- (4) Counterhold and unscrew the fuel pressure solenoid and discard the sealing ring (Fig. 18).

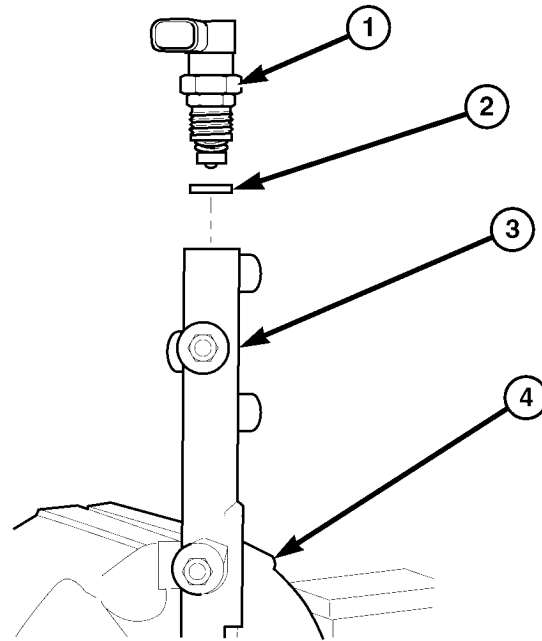


Fig. 18 FUEL PRESSURE SOLENOID

- 1 - FUEL PRESSURE SOLENOID
- 2 - METAL SEALING DISC
- 3 - FUEL RAIL
- 4 - VISE

INSTALLATION

Review the high pressure fuel system warning before beginning repair (Refer to 14 - FUEL SYSTEM - WARNING)

WARNING: NO SPARKS, OPEN FLAMES OR SMOKING. RISK OF POISONING FROM INHALING AND SWALLOWING FUEL. RISK OF INJURY TO EYES AND SKIN FROM CONTACT WITH FUEL. POUR FUELS ONLY INTO SUITABLE AND APPROPRIATELY MARKED CONTAINERS. WEAR PROTECTIVE CLOTHING.

CAUTION: There is a special tightening procedure for the fuel rail solenoid that must be followed along with the proper use of a torque wrench. Therefore the fuel rail must be removed before installing the fuel pressure solenoid. Attention must be paid to the sealing ring before assembly. If the sealing ring is damaged when assembling, this could result in a not so visible leak.

NOTE: Observe the alignment of the pressure solenoid. The electrical connection must point in the same direction as the connection of the injection line at the fuel rail.

- (1) Screw the fuel pressure solenoid with new sealing disc to the fuel rail until hand tight (Fig. 18).
- (2) Tighten the fuel rail solenoid as follows :

- Tighten the nut to 60 N·m (44 ft. lbs.)
- Loosen the nut 90 degrees.
- Retighten the nut to 80 N·m (59 ft. lbs.).

(3) Install fuel rail (Refer to 14 - FUEL SYSTEM/FUEL INJECTION/FUEL INJECTOR - INSTALLATION).

(4) Connect negative battery cable.

(5) Start engine, allow to warm, turn engine off and inspect for leaks (Refer to 14 - FUEL SYSTEM - DIAGNOSIS AND TESTING).

FUEL TEMPERATURE SENSOR

DESCRIPTION

The fuel temperature sensor is integrated in the high pressure fuel pump next to the fuel quantity valve. The sensor detects the temperature of the fuel and supplies that information to the ECM. The sensor ranges from - 40°F (- 40°C) to 284°F (140°C). If the engine is cold, the actual value sent will read ambient temperature. The value rises after the engine has been started.

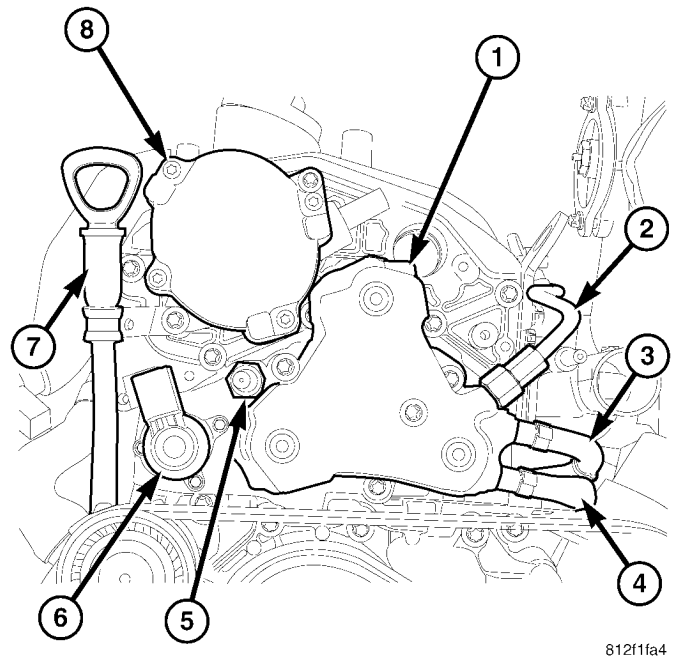
OPERATION

An negative temperature coefficient (NTC) resistor integrated in the fuel temperature sensor alters its electrical resistance in line with the fuel temperature (the resistance drops as the temperature rises). The ECM uses this reading to calculate optimum engine performance under all driving conditions. If the fuel is too warm, the rail pressure in the system is lowered. The controller quantity of the pressure regulating valve is reduced and the fuel temperature is lowered.

REMOVAL

NOTE: Capture and properly store all fluid seepage in appropriately marked containers.

- (1) Disconnect the negative battery cable.
- (2) Remove the fuel temperature sensor from the high pressure pump (Fig. 19).



812f1fa4

Fig. 19 HIGH PRESSURE FUEL PUMP

- 1 - HIGH PRESSURE PUMP
- 2 - FUEL SUPPLY TO FUEL RAIL
- 3 - FUEL SUPPLY LINE
- 4 - FUEL RETURN LINE
- 5 - FUEL TEMPERATURE SENSOR
- 6 - FUEL QUANTITY CONTROL VALVE
- 7 - OIL LEVEL INDICATOR
- 8 - VACUUM PUMP

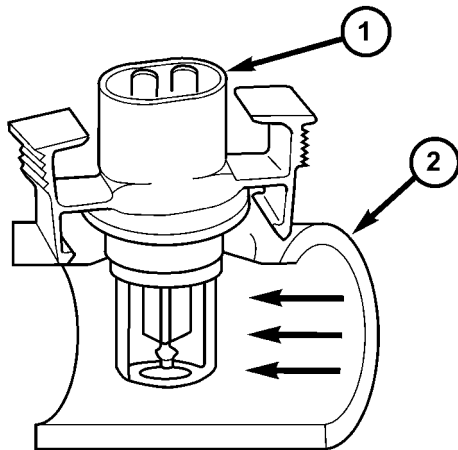
INSTALLATION

- (1) Clean sealing surfaces.
- (2) Install new seal on sensor.
- (3) Screw the sensor into the high pressure pump and tighten to 18 lbs.ft. (25 N·m) (Fig. 19)
- (4) Connect negative battery cable.
- (5) Start engine, allow to warm, shut engine off and inspect for leaks (Refer to 14 - FUEL SYSTEM/FUEL INJECTION - WARNING).

INTAKE AIR TEMPERATURE SENSOR

DESCRIPTION

The intake air temperature sensor is located between the charge air pipe and the charge air distribution of the cylinders. The intake air temperature sensor measures the temperature of the air as it is supplied to the cylinders and transmits the value to the ECM. This is required in order to determine the density of the air being supplied for the combustion process. The value range is from minus 40°F up to 302°F (minus 40°C to 150°C).



8108b132

Fig. 20 INLET AIR TEMPERATURE SENSOR

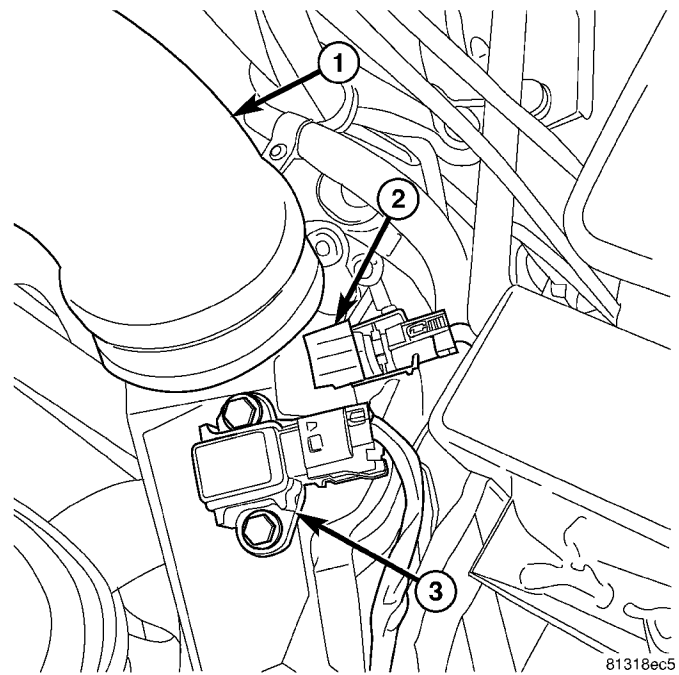
- 1 - INTAKE AIR TEMPERATURE SENSOR
- 2 - PIPE

OPERATION

The Negative Temperature Coefficient (NTC) resistor located within the intake air temperature sensor alters its resistance in line with the charge air temperature. If the engine is cold, the value equals ambient temperature. For a temperature of 68°F (20°C) the resistance is approximately 6000 ohms. For a temperature of 104°F (40°C) the resistance is approximately 3300 ohms (Fig. 20).

REMOVAL

- (1) Disconnect the negative battery cable.
- (2) Unplug the wiring harness connector at the intake air temperature sensor.
- (3) Press together the sensor locking arms and remove the sensor from the charge air pipe (Fig. 21).



81318ec5

Fig. 21 BOOST PRESSURE AND INLET AIR TEMPERATURE SENSORS

- 1 - CHARGE AIR DUCT
- 2 - INTAKE AIR TEMPERATURE SENSOR
- 3 - BOOST PRESSURE SENSOR

INSTALLATION

- (1) Position the intake air temperature sensor above the charge air pipe access hole.
- (2) Press together the sensor locking tabs, seat the sensor to the pipe and release tabs (Fig. 21).
- (3) Connect negative battery cable.

INTAKE AIR PRESSURE SENSOR

DESCRIPTION

An absolute pressure sensor is mounted to the air cleaner housing. The sensor is used by the ECM to adjust for changes in altitude and for air intake obstructions due to a clogging air cleaner.

OPERATION

The ECM uses the intake air pressure sensor to monitor the intake pressure. Monitoring this pressure allows better control of the variable geometry turbocharger to suit the driving environment and preserve turbocharger durability.

REMOVAL

- (1) Disconnect the negative battery cable.
- (2) Disconnect the sensor electrical connector.
- (3) Remove the air intake pressure sensor.

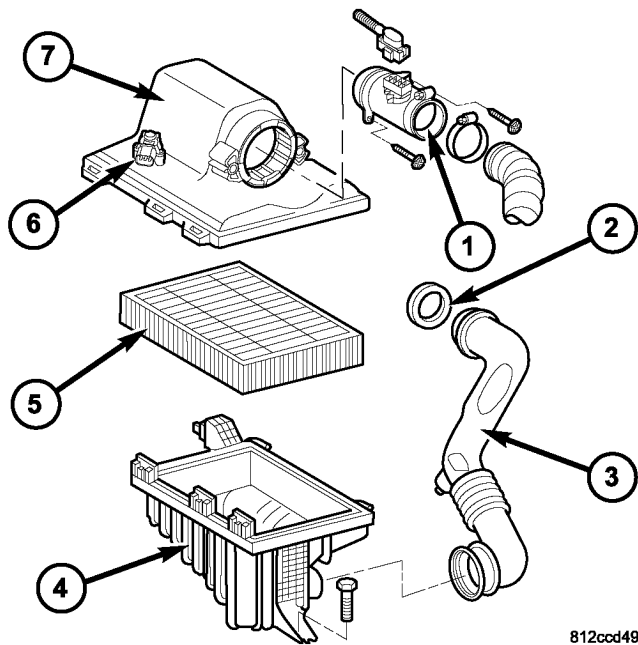


Fig. 22 AIR CLEANER HOUSING

- 1 - AIR FLOW SENSOR
- 2 - GASKET
- 3 - AIR INTAKE HOSE
- 4 - AIR CLEANER HOUSING
- 5 - AIR CLEANER ELEMENT
- 6 - AIR INTAKE PRESSURE SENSOR
- 7 - AIR CLEANER HOUSING COVER

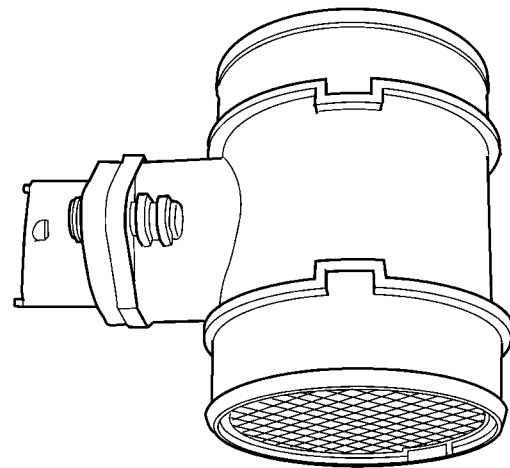
INSTALLATION

- (1) Position the pressure sensor in the air cleaner cover and install the fasteners (Fig. 22).
- (2) Connect the electrical connector (Fig. 22).
- (3) Connect the negative battery cable.

MANIFOLD AIR FLOW (MAF) SENSOR

DESCRIPTION

The Mass Air Flow (MAF) Sensor is located in the air intake port between the air filter and the turbo-charger (Fig. 23). The MAF sensor uses semiconductor technology throughout, and is used to calculate the air mass flowing past it per time unit. This mass is important for determining the exhaust gas recirculation rate. The MAF sensor sends a corresponding signal to the ECM, which evaluates the signal to adjust the exhaust gas recirculation valve.



80b5a442

Fig. 23 MASS AIR FLOW (MAF) SENSOR

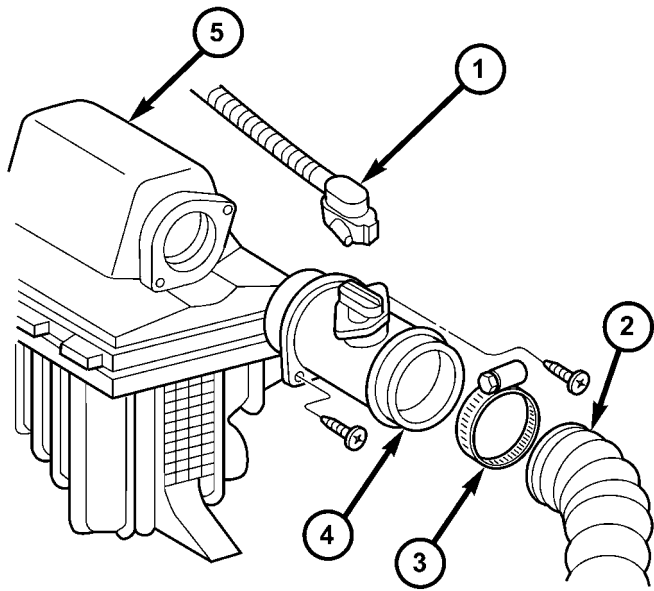
OPERATION

The ECM uses the mass air flow (MAF) sensor to measure air density. The temperature resistor located at the front of the MAF sensor measures the temperature of the inlet air. By varying the voltage, the electronic circuit regulates the temperature of the heating resistor in the rear so that it is 320° F (160°C) higher than the temperature of the intake air. The temperature at the heating resistor is measured by a sensor resistor in-between.

Because the incoming air has a cooling effect, the greater the amount of air that flows in, then the higher the voltage of the heating resistor. The heating resistor is therefore a measure of mass of air flowing past. If a temperature change occurs as a result of an increase or reduction of air flow, the ECM corrects the voltage at the heating resistor until the temperature difference is again achieved. This control voltage is used by the ECM as a unit measure for metered air mass.

REMOVAL

- (1) Disconnect the negative battery cable.
- (2) Detach the air hose at the Manifold Air Flow (MAF) sensor
- (3) Unplug the MAF wiring harness connector.
- (4) Remove the screws retaining the MAF sensor to the air cleaner housing, and remove MAF sensor.



8108bbf0

Fig. 24 MANIFOLD AIR FLOW SENSOR

- 1 - WIRING HARNESS
- 2 - AIR INTAKE HOSE
- 3 - CLAMP
- 4 - MAF SENSOR
- 5 - AIR CLEANER HOUSING

INSTALLATION

- (1) Position the MAF sensor to air cleaner housing and install the retaining screws (Fig. 24).
- (2) Connect the air intake hose to the MAF sensor and tighten clamp.
- (3) connect the MAF wiring harness connector.
- (4) Connect negative battery cable.

O2 SENSOR

DESCRIPTION

The wide band oxygen sensor measures the oxygen content in the exhaust gas to monitor EGR. The sensor is mounted in the exhaust pipe at a 30 degree angle to prevent the collection of moisture between the sensor housing and element. The sensor is located close to the turbocharger for a quicker response time.

The oxygen sensor has five wires (heater power and ground, reference voltage, and 2 wires for a pump cell). The oxygen sensor connects to a six wire harness connector. A non serviceable trimming resistor is built into the sensor connector. The resistance is dependent on the over all length and type of sensor.

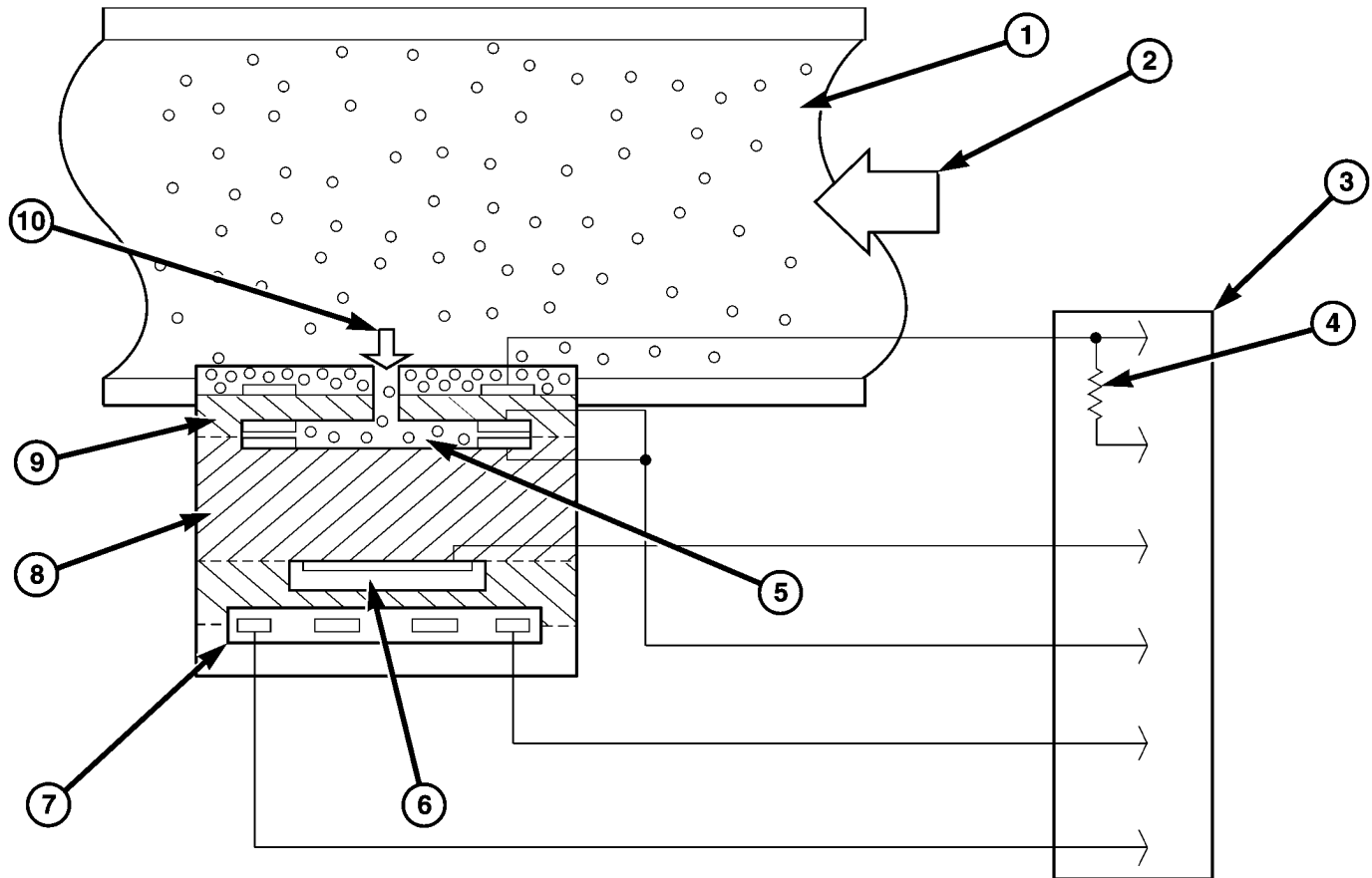
OPERATION

The O2 sensor is a planar zirconium dioxide (ZrO2) dual cell limiting current probe with a integral

heater. The term wide band, refers to the ability of the O2 sensor to generate a clear signal over a wide air-fuel ratio measuring range. As a dual sensor, it incorporates a second O2 chamber (oxygen pump cell), which requires a separate voltage supply.

The sensor element combines a sensor cell (8) and an oxygen pump cell (9). Both cells are made of zirconium-dioxide (ZrO2) and are coated with porous platinum electrodes. The sensor cell operates just like a typical O2 sensor. The oxygen pump cell transport oxygen ions when voltage is applied.

A gas sample chamber (5) is sandwiched between the oxygen pump cell and the sensor cell. A pump electrode and sensor cell electrode are located in the sample chamber. A sample passage (10) connects the sample chamber to the surrounding exhaust gas. A sensor cell electrode is located in the reference air channel (6), which connects to the outside air (Fig. 25).



813d2286

Fig. 25 O₂ CONSTRUCTION

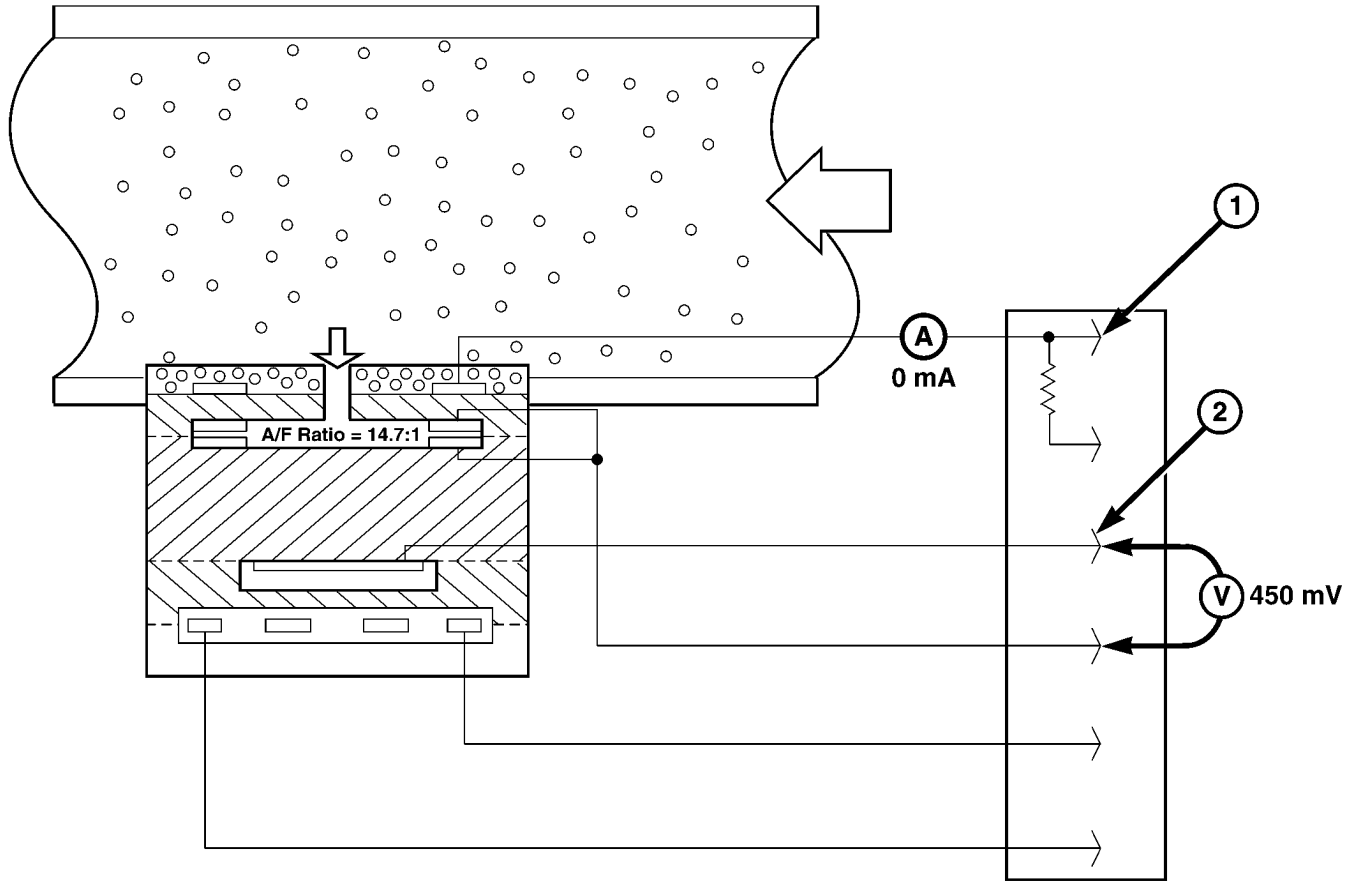
- | | |
|-------------------------------------|---------------------------|
| 1 - EXHAUST PIPE | 6 - REFERENCE AIR CHANNEL |
| 2 - EXHAUST GAS FLOW | 7 - HEATER ELEMENT |
| 3 - O ₂ SENSOR CONNECTOR | 8 - SENSOR CELL |
| 4 - TRIMMING RESISTOR | 9 - OXYGEN PUMP CELL |
| 5 - GAS SAMPLE CHAMBER | 10 - SAMPLE PASSAGE |

At high temperatures, certain ceramic materials, such as zirconium-dioxide (ZrO₂) become oxygen ion conductors. In a typical O₂ sensor, the ZrO₂ is used as a solid electrolyte, which conducts oxygen ions. The solid electrolyte is sandwiched between two platinum electrodes. The sensor generates a small voltage when oxygen moves from the high concentration side to the low concentration side.

The same hold true if the process is reversed. If voltage is applied to the platinum electrodes, oxygen can be pumped from one side of the solid electrolyte to the other (from cathode to anode), becoming an oxygen pump. The amount of current flow is directly proportional to the amount of oxygen pumped by the sensor. When the oxygen level on the supply side reaches zero, the current stops.

The ECM activates the integral heater element to raise the temperature of the sensor to 700C (192°F) for the ZrO₂ to become conductive. The heater element is designed to reach this temperature within 8

seconds and maintaining it at this level. In cold temperatures, this can be delayed up to 5 minutes to prevent damaging the ceramic coating of the sensor from water condensation. Once the sensor is heated, the exhaust gas components diffuse through the gas sample chamber. Upon reaching the electrodes on the oxygen pump and concentration cells they reach state of thermodynamic balance (Fig. 26).



813d2284

Fig. 26 WIDE BAND OPERATION

1 - OXYGEN PUMP CELL CIRCUIT

2 - SENSOR CELL CIRCUIT

The sensor cell measures the difference between the oxygen concentration in the gas sample chamber and the oxygen concentration in the outside air from the reference air channel. A small voltage is generated across the sensor, which is proportional to the air-fuel ratio in the sample chamber. At stoichiometric ratio (14.7 lbs. of dry air to 1 part fuel), the corresponding open circuit voltage at the sensor cell is 450 mV. If the stoichiometric ratio in the sampler chamber is higher than 1 (excess air) a lower voltage is produced. If the stoichiometric ratio is lower than 1 (insufficient air) a higher voltage is produced (Fig. 26).

The ECM uses this voltage signal to determine how and when to run the oxygen pump cell. The goal of the ECM is to modulate the pumping current through the pump cell to always maintain stoichiometric air-fuel ratio (14.7 to 1) in the gas sample chamber. When stoichiometry is reached, there is no current flowing to the oxygen pump.

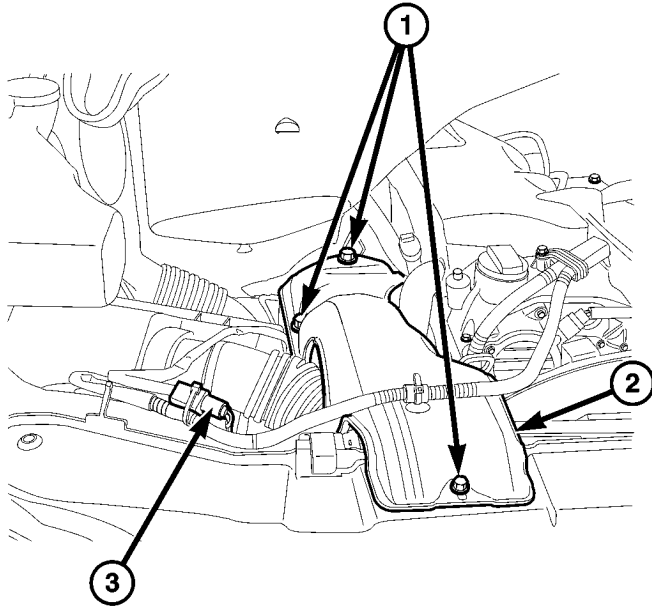
High Excess Air Mode When the exhaust gas is too lean, the oxygen concentration in the gas sample chamber is high. The sensor cell measures the differ-

ence between the oxygen concentrations in the sampler chamber and the reference air channel. A voltage lower than 450mV is generated across the sensor cell, which is proportional to the air-fuel ratio in the sample chamber. The ECM compares the sensor cell voltage with the reference voltage (V Ref), which corresponds to the stoichiometric point voltage. Since sensor cell voltage is lower than V Ref, the ECM determines a lean condition exists. An amplifier applies an appropriate voltage to the pump cell to transfer oxygen from the gas sample chamber

Low Excess Air Mode With low excess air mode, the oxygen concentration in the gas sample chamber is low. The sensor cell measures the difference between oxygen concentrations in the gas sample chamber and the reference air channel. A voltage higher than 450 mV is generated across the sensor cell, which is proportional to the air-fuel ratio in the sample chamber. The ECM determines a low excess air condition exists. The polarity of the pump cell is reversed and so is the direction of the current flow.

REMOVAL

- (1) Disconnect the negative battery cable.
- (2) Remove the exhaust heat shield (Fig. 27).
- (3) Disconnect the O2 sensor harness connector (Fig. 27)
- (4) Remove the O2 sensor (Fig. 28).



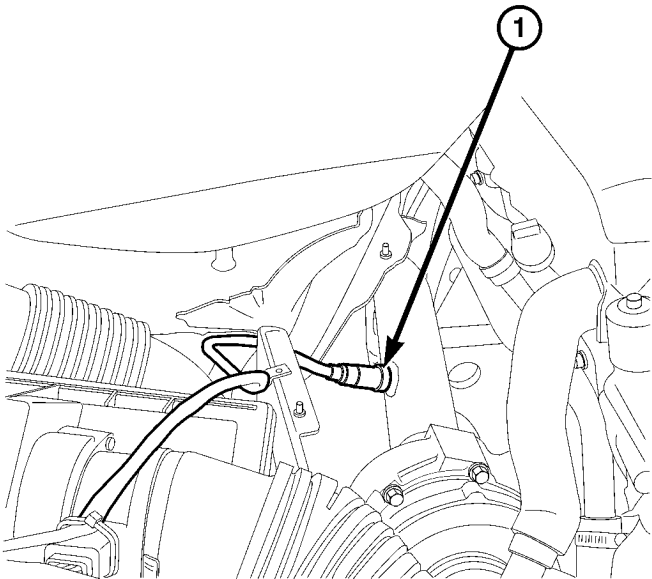
813d1b85

Fig. 27 HEAT SHIELD

- 1 - FASTENERS
- 2 - SHIELD
- 3 - O2 SENSOR HARNESS CONNECTOR

INSTALLATION

- (1) Install the oxygen sensor (Fig. 28).
- (2) Install the heatshield and tighten fasteners to 9N·m (80 lbs. in.) (Fig. 27).
- (3) Properly position the oxygen sensor wiring harness and connect the electrical connector (Fig. 27)
- (4) Connect the negative battery cable.



813d1b80

Fig. 28 OXYGEN SENSOR

- 1 - OXYGEN SENSOR

STEERING

TABLE OF CONTENTS

	page		page
STEERING		COLUMN	4
DESCRIPTION	1	GEAR	7
OPERATION	1	LINKAGE	9
DIAGNOSIS AND TESTING - POWER		PUMP	11
STEERING SYSTEM	1		

STEERING

DESCRIPTION

CAUTION: Use approved fluid only in the power steering system (Refer to LUBRICATION & MAINTENANCE/FLUID TYPES - DESCRIPTION). No other power steering or automatic transmission fluid is to be used in the system. Damage may result to the power steering pump and system if any other fluid is used, and do not overfill.

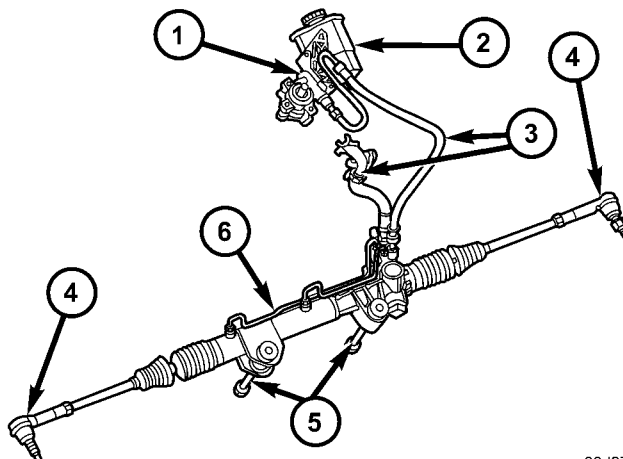
Power steering systems consist of:

- Steering column
- Rack and pinion steering gear
- Belt driven hydraulic steering pump
- Pump pressure and return hoses
- Oil Cooler

OPERATION

The steering column shaft is attached to the gear pinion. The rotation of the pinion moves the gear rack from side-to-side. This lateral action of the rack pushes and pulls the tie rods to change the direction of the front wheels (Fig. 1).

Power assist is provided by an engine mounted hydraulic pump which supplies hydraulic fluid pressure to the steering gear.



80d277f1

Fig. 1 STEERING COMPONENTS

- 1 - POWER STEERING PUMP ASSEMBLY
- 2 - RESERVOIR
- 3 - HOSES
- 4 - TIE ROD ENDS
- 5 - MOUNTING BOLTS
- 6 - RACK & PINION

DIAGNOSIS AND TESTING - POWER STEERING SYSTEM

There is some noise in all power steering systems. One of the most common is a hissing sound evident at a standstill parking. Or when the steering wheel is at the end of it's travel. Hiss is a high frequency noise similar to that of a water tap being closed slowly. The noise is present in all valves that have a high velocity fluid passing through an orifice. There is no relationship between this noise and steering performance.

STEERING NOISE

CONDITION	POSSIBLE CAUSES	CORRECTION
OBJECTIONAL HISS OR WHISTLE	<ol style="list-style-type: none"> 1. Steering intermediate shaft to dash panel seal. 2. Noisy valve in power steering gear. 	<ol style="list-style-type: none"> 1. Check and repair seal at dash panel. 2. Replace steering gear.
RATTLE OR CLUNK	<ol style="list-style-type: none"> 1. Gear mounting bolts loose. 2. Loose or damaged suspension components. 3. Internal gear noise. 4. Pressure hose in contact with other components. 5. Loose or damaged intermediate shaft or column. 	<ol style="list-style-type: none"> 1. Tighten bolts to specification. 2. Inspect and repair suspension. 3. Replace steering gear. 4. Reposition hose. 5. Inspect and repair or replace.
CHIRP OR SQUEAL	<ol style="list-style-type: none"> 1. Loose belt. 	<ol style="list-style-type: none"> 1. Adjust or replace.
WHINE OR GROWL	<ol style="list-style-type: none"> 1. Low fluid level. 2. Pressure hose in contact with other components. 3. Internal pump noise. 4. Air in fluid 	<ol style="list-style-type: none"> 1. Fill to proper level. 2. Reposition hose. 3. Replace pump. 4. Check for leaks, Evacuate air from P/S system.
SUCKING AIR SOUND	<ol style="list-style-type: none"> 1. Loose return line clamp. 2. O-ring missing or damaged on hose fitting. 3. Low fluid level. 4. Air leak between pump and reservoir. 5. Reservoir cap not installed correctly. 	<ol style="list-style-type: none"> 1. Replace clamp. 2. Replace o-ring. 3. Fill to proper level. 4. Repair as necessary. 5. Install reservoir cap correctly.
SCRUBBING OR KNOCKING	<ol style="list-style-type: none"> 1. Wrong tire size. 	<ol style="list-style-type: none"> 1. Verify tire size.

BINDING AND STICKING

CONDITION	POSSIBLE CAUSE	CORRECTION
DIFFICULT TO TURN WHEEL STICKS OR BINDS	<ol style="list-style-type: none"> 1. Low fluid level. 2. Tire pressure. 3. Steering components (ball joints/tie rod ends). 4. Loose belt. 5. Low pump pressure. 6. Column shaft coupler binding. 7. Steering gear worn. 8. Pump seized / Stuck valve 	<ol style="list-style-type: none"> 1. Fill to proper level. 2. Adjust tire pressure. 3 Inspect and repair as necessary. 4. Adjust or replace. 5. Pressure test and replace if necessary. 6. Replace coupler. 7. Replace gear. 8. Replace pump.

INSUFFICIENT ASST. OR POOR RETURN TO CENTER

CONDITION	POSSIBLE CAUSE	CORRECTION
HARD TURNING OR MOMENTARY INCREASE IN TURNING EFFORT	<ol style="list-style-type: none"> 1. Tire pressure. 2. Low fluid level. 3. Loose belt. 4. Low pump pressure. 5. Internal gear leak. 	<ol style="list-style-type: none"> 1. Adjust tire pressure. 2. Fill to proper level. 3. Adjust or replace. 4. Pressure test and repair as necessary. 5. Replace gear.
STEERING WHEEL DOES NOT WANT TO RETURN TO CENTER POSITION	<ol style="list-style-type: none"> 1. Tire pressure. 2. Wheel alignment. 3. Lack of lubrication. 4. High friction in steering gear. 	<ol style="list-style-type: none"> 1. Adjust tire pressure. 2. Align front end. 3. Inspect and lubricate suspension compnents. 4. Replace gear.

LOOSE STEERING AND VEHICLE LEAD

CONDITION	POSSIBLE CAUSE	CORRECTION
EXCESSIVE PLAY IN STEERING WHEEL	<ol style="list-style-type: none"> 1. Worn or loose suspension or steering components. 2. Worn or loose wheel bearings. 3. Steering gear mounting. 4. Gear out of adjustment. 5. Worn or loose steering coupler. 	<ol style="list-style-type: none"> 1. Inspect and repair as necessary. 2. Inspect and repair or adjust bearings. 3. Tighten gear mounting bolts to specification. 4. Replace gear. 5. Inspect and replace as necessary.
VEHICLE PULLS OR LEADS TO ONE SIDE.	<ol style="list-style-type: none"> 1. Tire Pressure. 2. Radial tire lead. 3. Brakes dragging. 4. Wheel alignment. 	<ol style="list-style-type: none"> 1. Adjust tire pressure. 2. Rotate tires. 3. Repair as necessary. 4. Align front end.

COLUMN

TABLE OF CONTENTS

	page		page
COLUMN		INSTALLATION	6
SPECIFICATIONS - TORQUE CHART	4	STEERING WHEEL	
INTERMEDIATE SHAFT		REMOVAL	6
REMOVAL	4	INSTALLATION	6
INSTALLATION	5		
KEY/LOCK CYLINDER			
REMOVAL	5		

COLUMN

SPECIFICATIONS - TORQUE CHART

TORQUE SPECIFICATIONS

DESCRIPTION	N-m	Ft. Lbs.	In. Lbs.
Steering Wheel With Air-bag To Steering Shaft	80	59	—
Jacket Tube For Steering Shaft To Waist Rail	25	18	221
U-Joint To Steering Gear Shaft	24	18	212

INTERMEDIATE SHAFT

REMOVAL

- (1) Disconnect the ground cable from the battery.
- (2) Remove the air bag module from the steering wheel.
- (3) Turn the steering wheel and lock the steering wheel in the straight ahead position. **The position of the steering gear must not be altered again for the entire duration of the work procedure.**
- (4) Remove the electrical center.
- (5) Remove the steering wheel bolt.
- (6) Remove the steering wheel from the steering column.
- (7) Remove the clockspring. **Unscrew the retaining bolts just enough to be able to remove the clockspring. Do not twist or disassemble the clockspring.**
- (8) Remove the combination switch.
- (9) Disconnect the electrical connector for the ignition lock.
- (10) Remove the spring for the brake pedal from the steering column.

- (11) Remove the fitted bolt from the universal joint (Fig. 1).

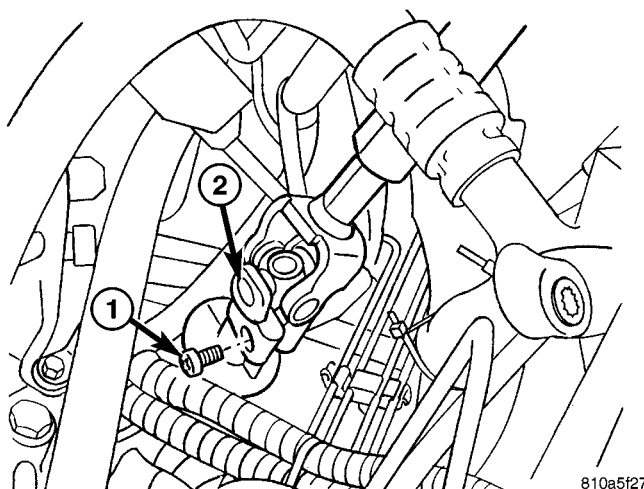
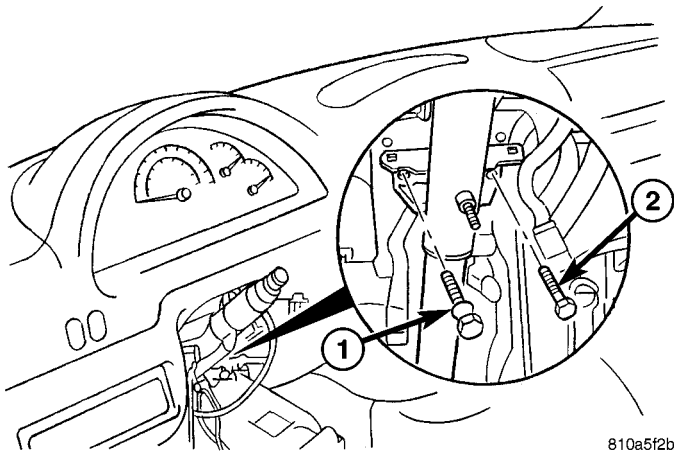


Fig. 1 U-JOINT REMOVE / INSTALL

- 1 - FITTED BOLT
- 2 - U-JOINT

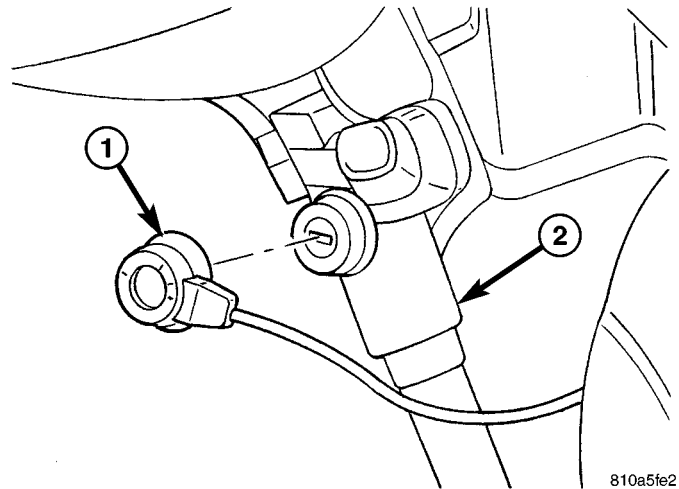
- (12) Remove the bolts in the steering column bracket (Fig. 2).



810a5f2b

Fig. 2 STEERING COLUMN BOLTS

- 1 - BOLT
2 - COLUMN BOLT



810a5fe2

Fig. 3 TRANSPONDER

- 1 - TRANSPONDER
2 - STEERING COLUMN

(13) Remove the steering shaft with the universal joint off the steering gear drive shaft (Fig. 1).

(14) Pull the steering shaft out of the rubber grommet in the cab floor.

INSTALLATION

(1) Install the steering shaft through the rubber grommet in the cab floor. **Ensure that the rubber grommet is properly seated.**

(2) Install the steering shaft with the universal joint onto the steering gear shaft (Fig. 1).

(3) Install the bolts in the steering column bracket (Fig. 2). Tighten to 24 N·m (18 ft. lbs.).

(4) Install the universal joint on the steering gear shaft (Fig. 1). Tighten to 24 N·m (18 ft. lbs.).

(5) Install the spring for the brake pedal to the steering column.

(6) Reconnect the electrical connector to the ignition lock.

(7) Install the combination switch.

(8) Install the clockspring.

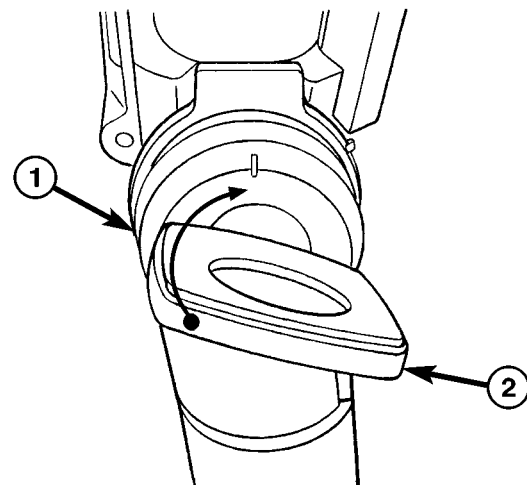
(9) Install the steering wheel.

(10) Install the electrical center.

(11) Reconnect the ground cable to the battery.

(4) Insert the key into the ignition lock.

(5) Turn the ignition key to the first detent (Fig. 4).



810a5ffd

Fig. 4 IGNITION LOCK FIRST DETENT

- 1 - LOCK HOUSING
2 - FIRST DETENT WITH KEY INSTALLED

(6) Turn the cap a 1/4 turn to the left (Fig. 5).

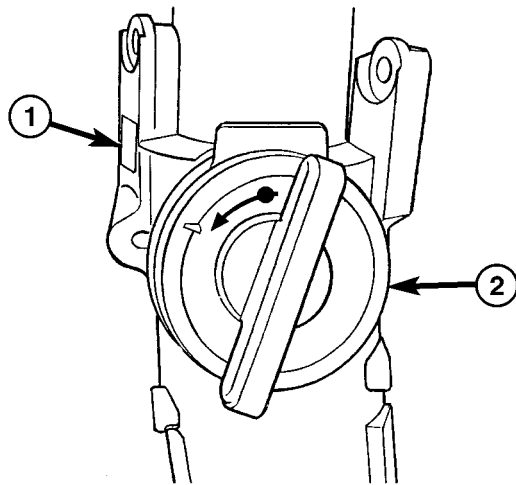
KEY / LOCK CYLINDER

REMOVAL

(1) Remove the securing cover for the central electronics.

(2) Remove the steering column shroud.

(3) Remove the transponder coil off the ignition lock (Fig. 3).

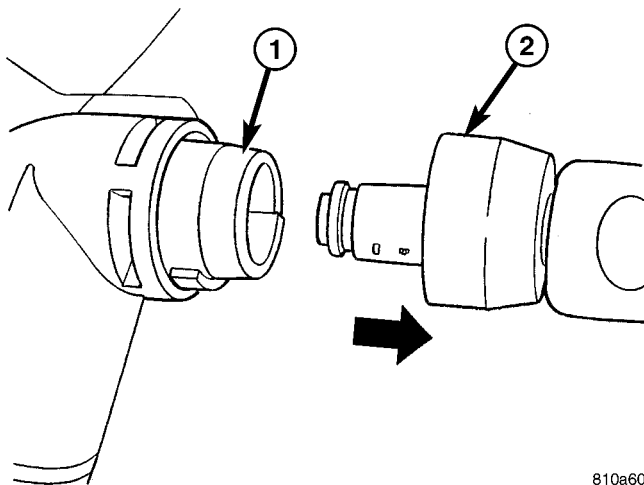


810a6026

Fig. 5 1/4 TURN LEFT

- 1 - STEERING COLUMN
2 - 1/4 TURN TO THE LEFT

(7) Remove cap together with the lock cylinder off the ignition lock (Fig. 6).



810a6018

Fig. 6 LOCK CYLINDER OFF THE IGNITION LOCK

- 1 - LOCK HOUSING
2 - LOCK CYLINDER

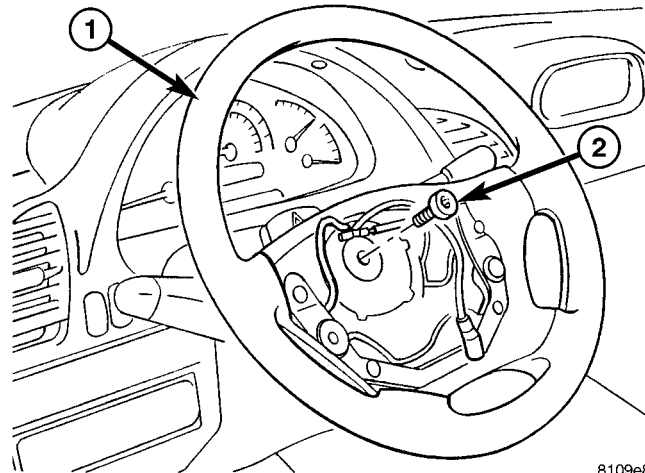
INSTALLATION

- (1) Install the cap together with the lock cylinder onto the ignition lock (Fig. 6).
- (2) Turn the cap a 1/4 turn to the right.
- (3) Turn the ignition key to the first detent (Fig. 4).
- (4) Remove the ignition key from the ignition lock.
- (5) Install the transponder coil onto the ignition lock (Fig. 3).
- (6) Install the steering column shroud. **Pay attention to the cables routed under the steering column cover. Do not trap the cables.**
- (7) Install the cover for the central electronics.

STEERING WHEEL

REMOVAL

- (1) Disconnect the ground cable on the battery.
- (2) Remove the air bag module from the steering wheel.
- (3) Turn the steering wheel and lock the steering wheel in the straight ahead position (Fig. 7).
- (4) Remove the steering wheel bolt (Fig. 7).
- (5) Remove the steering wheel from the steering column (Fig. 7).



8109e8e7

Fig. 7 STEERING WHEEL

- 1 - STEERING WHEEL
2 - STEERING WHEEL BOLT

INSTALLATION

- (1) Install the steering wheel onto the column (Fig. 7).
- (2) Install the steering wheel bolt (Fig. 7). Tighten to 80 N·m (59 ft. lbs.).
- (3) Install the air bag module.
- (4) Reconnect the battery ground cable.
- (5) Reset all the times and encode the radio.
- (6) Perform a road test to check the position of the steering wheel.

GEAR

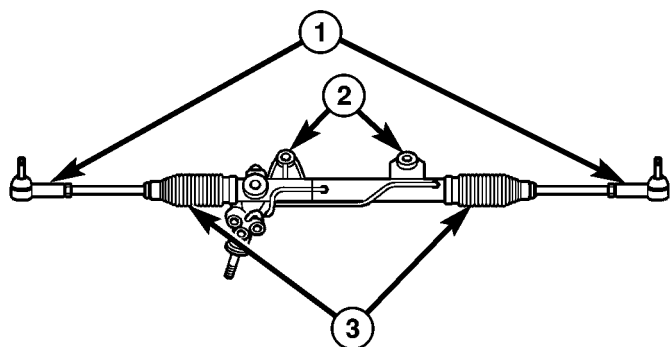
TABLE OF CONTENTS

	page		page
GEAR		INSTALLATION	7
DESCRIPTION	7	SPECIFICATIONS - TORQUE CHART	8
REMOVAL	7		

GEAR

DESCRIPTION

A rack and pinion steering gears (Fig. 1) is made up of two main components, the pinion shaft and the rack. The gear cannot be adjusted or internally serviced. If a malfunction or a fluid leak occurs, the gear must be replaced as an assembly.



80c75c75

Fig. 1 STEERING GEAR

- 1 - OUTER TIE ROD ENDS
- 2 - MOUNTING BUSHINGS
- 3 - BELLOWS

REMOVAL

- (1) Siphon the power steering fluid out of the reservoir.
- (2) Raise and support the vehicle.
- (3) Remove the front wheels.
- (4) Remove the stabilizer bar from the upper part of the stabilizer link (Refer to 2 - SUSPENSION/Front/STABILIZER LINK - REMOVAL).
- (5) Remove the outer tie rod end nuts and separate the tie rods from the steering knuckles (Fig. 2) using special tool C-3894-A.
- (6) Remove the left outer tie rod end from the steering gear.
- (7) Remove both spring clamp plates (Refer to 2 - SUSPENSION/Front/SPRING CLAMP PLATES - REMOVAL).

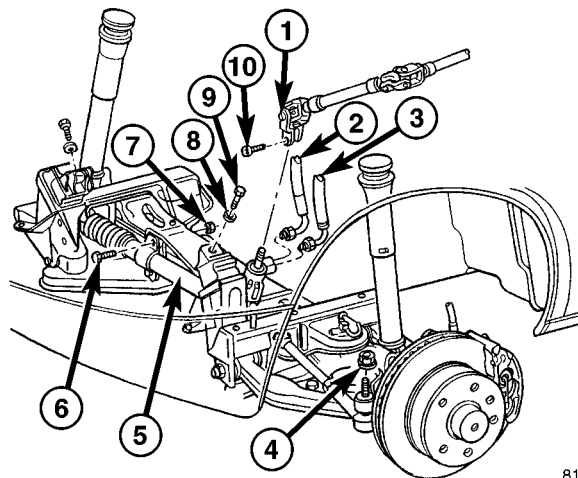
- (8) Remove both the high pressure and return hoses from the steering gear (Refer to 19 - STEERING/PUMP/HOSES - REMOVAL) (Fig. 2).

- (9) Remove the steering shaft clamping bolt from the steering gear (Fig. 2).

- (10) Separate the universal joint from the steering gear (Fig. 2).

- (11) Remove the steering gear bolts from the front axle.

- (12) Remove the steering gear by sliding it toward the passengers side of the vehicle and then tilt downward on the drivers side and remove from vehicle.



8109e8ad

Fig. 2 STEERING GEAR REMOVAL / INSTALL

- 1 - U-JOINT
- 2 - HIGH PRESSURE POWER STEERING HOSE
- 3 - RETURN HOSE
- 4 - OUTER TIE ROD END RETAINING NUT
- 5 - STEERING GEAR
- 6 - STEERING GEAR RETAINING BOLT
- 7 - STEERING GEAR NUT
- 8 - WASHER
- 9 - ENGINE MOUNT BOLT
- 10 - U-JOINT CLAMPING BOLT

INSTALLATION

- (1) Install the gear to the vehicle.

NOTE: Steering gear must be torqued in a three step procedure below.

- (2) Install the steering gear bolts (Fig. 2). Tighten to an initial torque of 25 N-m (18 ft. lbs.) Then

torque to 45 N·m (33 ft. lbs.) and a final additional 90° turn for final torque.

(3) Install the universal joint to the steering gear (Fig. 2). Tighten to 24 N·m (18 ft. lbs.).

(4) Install both the power steering hoses to the steering gear (Fig. 2). Tighten the high pressure hose to 37 N·m (27 ft. lbs.).

(5) Install the spring clamp plates (Refer to 2 - SUSPENSION/FRONT/SPRING CLAMP PLATES - INSTALLATION).

(6) Install the left outer tie rod end to the steering gear.

(7) Install both the outer tie rod ends to the steering knuckle (Fig. 2). Tighten to 130 N·m (96 ft. lbs.).

(8) Install the upper stabilizer bar link to the stabilizer bar.

(9) Install the front wheels.

(10) Fill and bleed the power steering system (Refer to 19 - STEERING/PUMP/FLUID - STANDARD PROCEDURE).

(11) Reset toe adjustment.

(12) Check steering system for leaks.

SPECIFICATIONS - TORQUE CHART

TORQUE SPECIFICATIONS

DESCRIPTION	N·m	Ft. Lbs.	In. Lbs.
U-Joint To Steering Gear	24	18	212
High Pressure Hose To Steering Gear	37	27	328
Return Line To Steering Gear	37	27	328
Steering Gear To Frame Initial Torque	25	18	221
Steering Gear To Frame Second Torque Then additional 90° turn	45	33	398

LINKAGE

TABLE OF CONTENTS

	page		page
LINKAGE		TIE ROD END	
DIAGNOSIS AND TESTING - OUTER TIE ROD		REMOVAL	10
END	9	INSTALLATION	10
SPECIFICATIONS - TORQUE CHART	9		
SPECIAL TOOLS			
FRONT SUSPENSION	10		

LINKAGE

DIAGNOSIS AND TESTING - OUTER TIE ROD END

NOTE: If the outer tie rod end is equipped with a lubrication fitting, grease the joint then road test the vehicle before performing test.

- (1) Raise the front of the vehicle. Place safety floor stands under both lower control arms as far outboard as possible. Lower the vehicle to allow the stands to support some or all of the vehicle weight.
- (2) Remove the front tires.
- (3) Mount a dial indicator solidly to the vehicle steering knuckle and then zero the dial indicator.

(4) Position indicator plunger on the topside of the outer tie rod end.

NOTE: The dial indicator plunger must be perpendicular to the machined surface of the outer tie rod end.

- (5) Position a pry bar in order to pry downwards on the outer tie rod end.
- (6) If the travel exceeds 0.5 mm (0.020 in.), replace the outer tie rod end (Refer to 19 - STEERING/LINKAGE/TIE ROD END - REMOVAL).
- (7) If the outer tie rod end is within specs reinstall the front tires (Refer to 22 - TIRES/WHEELS/WHEELS - STANDARD PROCEDURE).

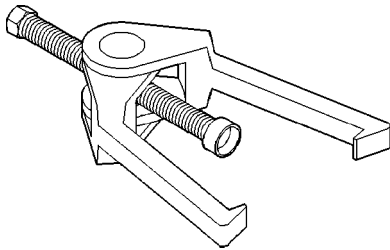
SPECIFICATIONS - TORQUE CHART

TORQUE SPECIFICATIONS

DESCRIPTION	N-m	Ft. Lbs.	In. Lbs.
Outer Tie Rod End Nut	130	96	—
Outer Tie Rod End Locking Nut	50	37	—
Steering Gear Boot Clamp	7	—	62

SPECIAL TOOLS

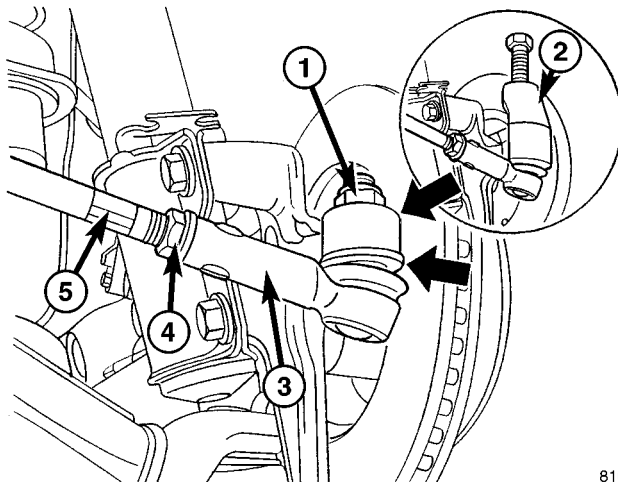
FRONT SUSPENSION

**Puller Tie Rod C-3894-A**

TIE ROD END

REMOVAL

- (1) Raise and support the vehicle.
- (2) Remove the front wheels.
- (3) Loosen the lock nut (Fig. 1).
- (4) Remove the tie rod end retaining nut (Fig. 1).
- (5) Separate the tie rod end from the steering knuckle (Fig. 1) using special tool C-3894-A.
- (6) Remove the outer tie rod end from the inner tie rod end by unscrewing (Fig. 1).



8109e906

Fig. 1 OUTER TIE ROD END

- 1 - OUTER TIE ROD END RETAINING NUT
- 2 - TIE ROD SEPERATOR TOOL
- 3 - OUTER TIE ROD END
- 4 - LOCKING NUT
- 5 - INNER TIE ROD END

INSTALLATION

- (1) Install the outer tie rod end by screwing it onto the inner tie rod end (Fig. 1).
- (2) Install the outer tie rod end into the steering knuckle (Fig. 1).
- (3) Tighten the outer tie rod end nut (Fig. 1). Tighten to 130 N·m (96 ft. lbs.).
- (4) Install the front wheels.
- (5) Lower the vehicle.
- (6) Perform toe adjustment.

- (7) Tighten the lock nut after toe adjustment (Fig. 1). Tighten to 50 N·m (37 ft. lbs.).

PUMP

TABLE OF CONTENTS

	page		page
PUMP		FLUID COOLER TUBE	
DESCRIPTION	11	REMOVAL	13
OPERATION	11	INSTALLATION	13
DIAGNOSIS AND TESTING - PUMP LEAKAGE .	11	HOSES	
STANDARD PROCEDURE		REMOVAL	
STANDARD PROCEDURE - POWER		REMOVAL - PRESSURE HOSE	14
STEERING PUMP - INITIAL OPERATION	11	REMOVAL - RETURN LINE FROM PUMP TO	
STANDARD PROCEDURE - FLUSHING		COOLER TUBE	14
POWER STEERING SYSTEM	12	REMOVAL - RETURN HOSE FROM GEAR	
REMOVAL	12	TO COOLER TUBE	14
INSTALLATION	12	INSTALLATION	
SPECIFICATIONS - TORQUE CHART	13	INSTALLATION - PRESSURE HOSE	14
FLUID		INSTALLATION - RETURN LINE FROM	
STANDARD PROCEDURE		PUMP TO COOLER TUBE	14
POWER STEERING PUMP FILL AND BLEED		INSTALLATION - RETURN HOSE FROM	
PROCEDURE	13	GEAR TO COOLER TUBE	14

PUMP

DESCRIPTION

CAUTION: Use approved fluid only in the power steering system (Refer to LUBRICATION & MAINTENANCE/FLUID TYPES - DESCRIPTION). No other power steering or automatic transmission fluid is to be used in the system. Damage may result to the power steering pump and system if any other fluid is used, and do not overfill.

The pump is connected to the steering gear via the pressure hose and the return hose. The pump shaft has a pressed-on pulley that is belt driven by the crankshaft pulley.

All vehicles are equipped with a power steering fluid cooler.

NOTE: Power steering pumps are not interchangeable with pumps installed on other vehicles.

OPERATION

Hydraulic pressure is provided for the power steering gear by the belt driven power steering pump. The power steering pumps are constant flow rate and displacement, vane-type pumps.

DIAGNOSIS AND TESTING - PUMP LEAKAGE

The pump is serviced as an assembly and should not be disassembled. The plastic pump reservoir and the reservoir o-rings can be replaced.

Check for leaks in the following areas:

- Pump shaft seal behind the pulley
- Pump to reservoir O-ring
- Reservoir cap
- Pressure and return lines
- Flow control valve fitting

STANDARD PROCEDURE

STANDARD PROCEDURE - POWER STEERING PUMP - INITIAL OPERATION

WARNING: THE FLUID LEVEL SHOULD BE CHECKED WITH ENGINE OFF TO PREVENT INJURY FROM MOVING COMPONENTS.

CAUTION: Use approved fluid only in the power steering system (Refer to LUBRICATION & MAINTENANCE/FLUID TYPES - DESCRIPTION). No other power steering or automatic transmission fluid is to be used in the system. Damage may result to the power steering pump and system if any other fluid is used, and do not overfill.

Wipe filler cap clean, then check the fluid level. The dipstick should indicate **COLD** when the fluid is at normal temperature.

- (1) Turn steering wheel all the way to the left
- (2) Fill the pump fluid reservoir to the proper level and let the fluid settle for at least two (2) minutes.
- (3) Raise the front wheels off the ground.

(4) Slowly turn the steering wheel lock-to-lock 20 times with the engine off while checking the fluid level.

NOTE: For vehicles with long return lines or oil coolers turn wheel 40 times.

(5) Start the engine. With the engine idling maintain the fluid level.

(6) Lower the front wheels and let the engine idle for two minutes.

(7) Turn the steering wheel in both direction and verify power assist and quiet operation of the pump.

If the fluid is extremely foamy or milky looking, allow the vehicle to stand a few minutes and repeat the procedure.

CAUTION: Do not run a vehicle with foamy fluid for an extended period. This may cause pump damage.

STANDARD PROCEDURE - FLUSHING POWER STEERING SYSTEM

Flushing is required when the power steering/hydraulic booster system fluid has become contaminated. Contaminated fluid in the steering/booster system can cause seal deterioration and affect steering gear/booster spool valve operation.

(1) Raise the front end of the vehicle off the ground until the wheels are free to turn.

(2) Remove the return line from the pump.

NOTE: If vehicle is equipped with a hydraulic booster remove both return lines from the pump.

(3) Plug the return line port/ports at the pump.

(4) Position the return line/lines into a large container to catch the fluid.

(5) While an assistant is filling the pump reservoir start the engine.

(6) With the engine running at idle turn the wheel back and forth.

NOTE: Do not contact or hold the wheel against the steering stops.

(7) Run a quart of fluid through the system then stop the engine and install the return line/lines.

(8) Fill the system with fluid and perform Steering Pump Initial Operation, (Refer to 19 - STEERING/PUMP - STANDARD PROCEDURE).

(9) Start the engine and run it for fifteen minutes then stop the engine.

(10) Remove the return line/lines from the pump and plug the pump port/ports.

(11) Pour fresh fluid into the reservoir and check the draining fluid for contamination. If the fluid is still contaminated, then flush the system again.

(12) Install the return line/lines and perform Steering Pump Initial Operation, (Refer to 19 - STEERING/PUMP - STANDARD PROCEDURE).

REMOVAL

(1) Remove the belt from the power steering pump.

(2) Siphon as much power steering fluid as possible out of the reservoir.

(3) Remove the high pressure power steering hose at the pump (Fig. 1).

(4) Remove the return hose from the pump (Fig. 1).

(5) Remove the bolts securing the power steering pump to the engine (Fig. 1).

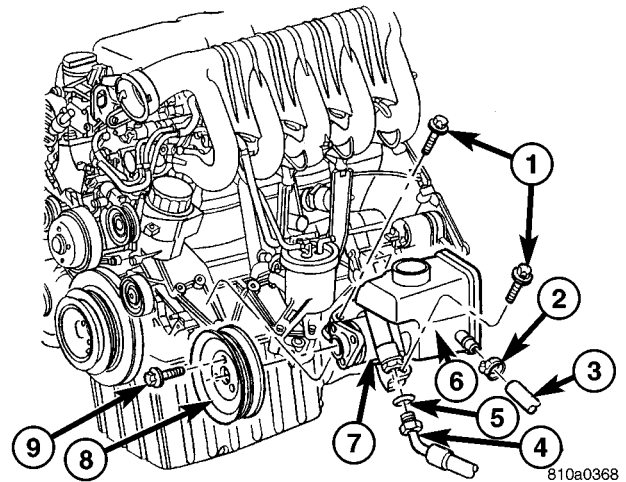


Fig. 1 POWER STEERING PUMP

- 1 - PUMP MOUNTING BOLT
- 2 - CLAMP
- 3 - RETURN HOSE
- 4 - HIGH PRESSURE HOSE
- 5 - O-RING
- 6 - PUMP RESERVOIR
- 7 - PUMP
- 8 - PULLEY
- 9 - PULLEY BOLT

INSTALLATION

(1) Install the power steering pump to the engine and tighten the bolts (Fig. 1). Tighten to 21 N·m (15 ft. lbs.).

(2) Replace all o-rings and hose clamps (Fig. 1).

(3) Install the return hose to the pump and tighten the clamp (Fig. 1).

(4) Install the high pressure hose to the pump (Fig. 1). Tighten to 38 N·m (28 ft. lbs.).

(5) Fill the power steering fluid (Refer to 19 - STEERING/PUMP/FLUID - STANDARD PROCEDURE).

SPECIFICATIONS - TORQUE CHART

TORQUE SPECIFICATIONS

DESCRIPTION	N-m	Ft. Lbs.	In. Lbs.
Power Steering Pump To Timing Case Cover/Support	21	15	185
High Pressure Flexible Hose To Power Steering Pump	38	28	336
Power Steering Pulley To Pump	30	22	265

FLUID

STANDARD PROCEDURE

POWER STEERING PUMP FILL AND BLEED PROCEDURE

(1) Remove the cap from the fluid reservoir. **Check cap seal for damage and replace if needed.**

(2) Fill the power steering pump with approved fluid (Refer to LUBRICATION & MAINTENANCE/FLUID TYPES - DESCRIPTION). **Do not fill fluid beyond the MAX mark.**

(3) Raise the vehicles front wheels off the ground.

(4) With the engine off turn the steering wheel from right to left. **Perform this step until all the bubble formations can no longer be seen in the power steering reservoir.**

(5) Start the engine and turn the steering wheel with the engine at idle speed then shut the engine off and check for correct oil level and no bubble in the system.

(6) Reinstall power steering cap tightly.

(7) Test the system for leaks and proper operation.

FLUID COOLER TUBE

REMOVAL

(1) Siphon as much power steering fluid as possible out of the reservoir.

(2) Remove the grille (Refer to 23 - BODY/EXTERIOR/GRILLE - REMOVAL).

(3) Remove the left headlight assembly.

(4) Disconnect the return lines from the cooler tube.

(5) Remove the radiator clips (2).

(6) Remove the heat shield bolt for the turbo at the core support.

(7) Remove the right headlight assembly.

(8) Remove the core support bolts (4) and disconnect the hood latch cable.

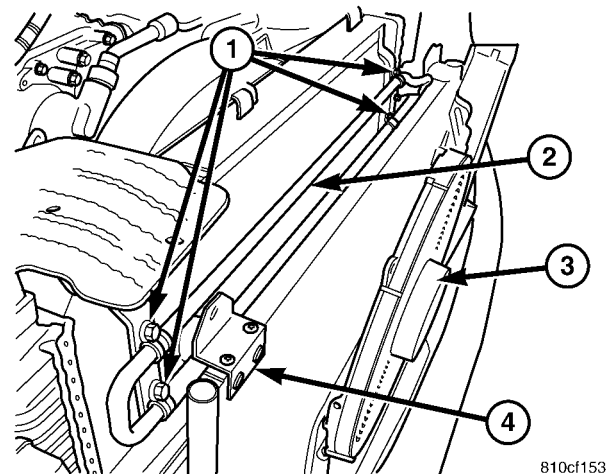
(9) Remove the fan bracket bolts (4) to the radiator (Fig. 2).

(10) Remove the two upper screws for the condenser (Fig. 2).

(11) Remove the condenser air dam shield.

(12) Remove the mounting screws for the cooler tube (Fig. 2).

(13) Remove the cooler tube from the vehicle.



810cf153

Fig. 2 FLUID COOLER TUBE

- 1 - MOUNTING SCREWS (4)
- 2 - FLUID COOLER
- 3 - ELECTRIC COOLING FAN
- 4 - A/C CONDENSOR

INSTALLATION

(1) Install the cooler tube to the vehicle.

(2) Install the cooler tube mounting screws (Fig. 2).

(3) Install the condenser air dam shield.

(4) Install the condenser upper mounting screws (Fig. 2).

(5) Install the fan bracket bolts to the radiator (Fig. 2).

- (6) Install the core support bolts and reconnect the hood latch cable.
- (7) Install the right headlight assembly.
- (8) Install the bolt for the turbo shield at the core support.
- (9) Install the radiator clips.
- (10) Install the return lines to the cooler tube.
- (11) Install the left headlight assembly.
- (12) Install the grille assembly (Refer to 23 - BODY/EXTERIOR/GRILLE - INSTALLATION).
- (13) Fill the power steering fluid (Refer to 19 - STEERING/PUMP/FLUID - STANDARD PROCEDURE).

HOSES

REMOVAL

REMOVAL - PRESSURE HOSE

- (1) Siphon as much power steering fluid as possible out of the reservoir.
- (2) Disconnect the pressure hose at the pump.
- (3) Disconnect the pressure hose at the steering gear.
- (4) Remove the pressure hose mounting bracket from the gear.
- (5) Remove the pressure hose from the vehicle.

REMOVAL - RETURN LINE FROM PUMP TO COOLER TUBE

- (1) Siphon as much power steering fluid as possible out of the reservoir.
- (2) Disconnect the return line at the pump.
- (3) Remove the grille (Refer to 23 - BODY/EXTERIOR/GRILLE - REMOVAL).
- (4) Remove the left headlight assembly.
- (5) Disconnect the return line at the cooler tube.
- (6) Remove the return line from the vehicle.

REMOVAL - RETURN HOSE FROM GEAR TO COOLER TUBE

- (1) Siphon as much power steering fluid as possible out of the reservoir.
- (2) Disconnect the return hose from the gear.
- (3) Remove the grille (Refer to 23 - BODY/EXTERIOR/GRILLE - REMOVAL).
- (4) Remove the left headlight assembly.
- (5) Disconnect the return line at the cooler tube.
- (6) Remove the return line from the vehicle.

INSTALLATION

INSTALLATION - PRESSURE HOSE

- (1) Install the pressure hose to the vehicle.

- (2) Reconnect the pressure hose at the steering gear. Tighten to 37 N·m (27 ft.lbs.).
- (3) Install the pressure hose mounting bracket to the steering gear.
- (4) Reconnect the pressure hose at the power steering pump. Tighten to 38 N·m (28 ft.lbs.).
- (5) Fill the power steering fluid (Refer to 19 - STEERING/PUMP/FLUID - STANDARD PROCEDURE).

INSTALLATION - RETURN LINE FROM PUMP TO COOLER TUBE

- (1) Install the return line to the vehicle.
- (2) Reconnect the return line at the cooler tube.
- (3) Install the left headlight assembly.
- (4) Install the grille assembly (Refer to 23 - BODY/EXTERIOR/GRILLE - INSTALLATION).
- (5) Reconnect the return line at the power steering pump.
- (6) Fill the power steering fluid (Refer to 19 - STEERING/PUMP/FLUID - STANDARD PROCEDURE).

INSTALLATION - RETURN HOSE FROM GEAR TO COOLER TUBE

- (1) Install the return line to the vehicle.
- (2) Reconnect the return line at the cooler tube.
- (3) Install the left headlight assembly.
- (4) Install the grille assembly (Refer to 23 - BODY/EXTERIOR/GRILLE - INSTALLATION).
- (5) Reconnect the return line at the power steering gear.
- (6) Fill the power steering fluid (Refer to 19 - STEERING/PUMP/FLUID - STANDARD PROCEDURE).

TRANSMISSION

TABLE OF CONTENTS

page

AUTOMATIC TRANSMISSION NAG1 - SERVICE INFORMATION 1

AUTOMATIC TRANSMISSION NAG1 - SERVICE INFORMATION

TABLE OF CONTENTS

page

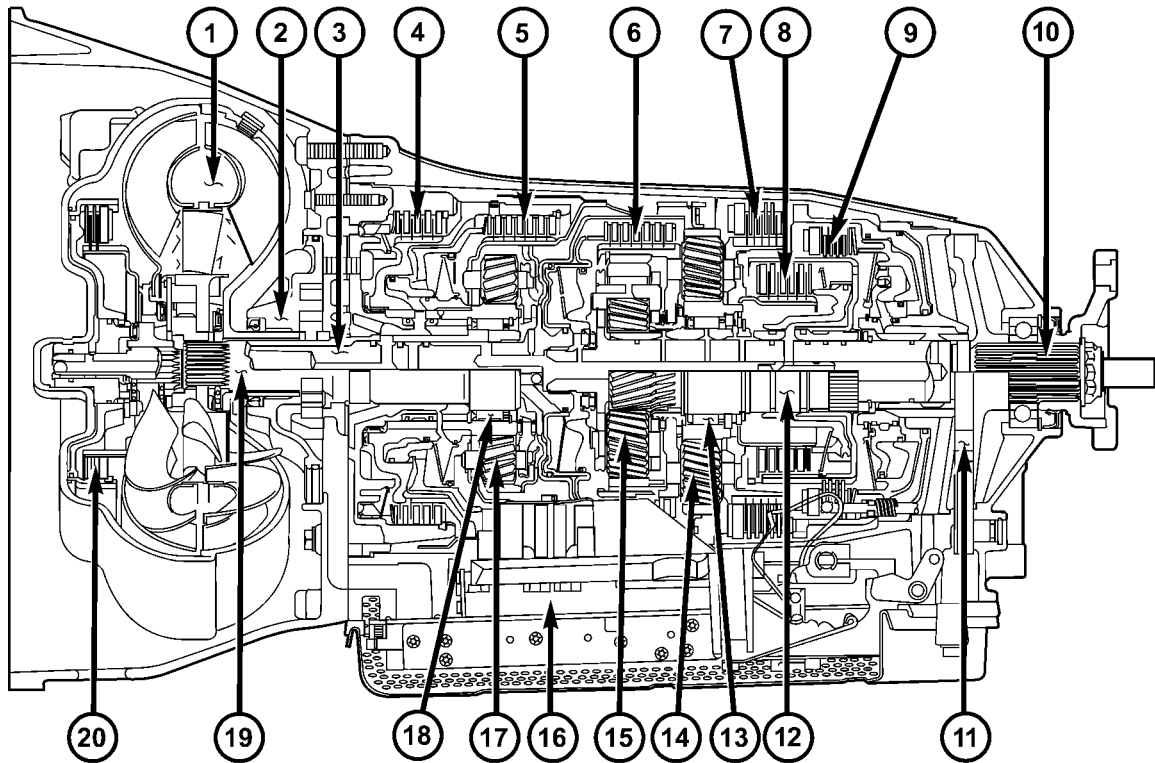
page

<p>AUTOMATIC TRANSMISSION NAG1 - SERVICE INFORMATION</p> <p>DESCRIPTION 3</p> <p>OPERATION 4</p> <p>DIAGNOSIS AND TESTING</p> <p style="padding-left: 20px;">AUTOMATIC TRANSMISSION 39</p> <p style="padding-left: 20px;">PRELIMINARY 39</p> <p style="padding-left: 20px;">ROAD TESTING 39</p> <p style="padding-left: 20px;">AUTOMATIC TRANSMISSION 40</p> <p>STANDARD PROCEDURE - ALUMINUM</p> <p style="padding-left: 20px;">THREAD REPAIR 42</p> <p>REMOVAL 42</p> <p>DISASSEMBLY 46</p> <p>ASSEMBLY 52</p> <p>INSTALLATION 60</p> <p>SCHEMATICS AND DIAGRAMS 65</p> <p>SPECIFICATIONS - NAG1 AUTOMATIC TRANSMISSION 86</p> <p>SPECIAL TOOLS - AUTOMATIC TRANSMISSION - NAG1 87</p> <p>INPUT CLUTCHES</p> <p>DESCRIPTION 90</p> <p>OPERATION 91</p> <p>INPUT CLUTCH K1</p> <p>DISASSEMBLY 92</p> <p>ASSEMBLY 94</p> <p>INPUT CLUTCH K2</p> <p>DISASSEMBLY 97</p> <p>ASSEMBLY 99</p> <p>INPUT CLUTCH K3</p> <p>DISASSEMBLY 102</p> <p>ASSEMBLY 103</p> <p>ELECTROHYDRAULIC UNIT</p> <p>DESCRIPTION 105</p> <p>OPERATION 112</p> <p>REMOVAL 120</p> <p>DISASSEMBLY 121</p> <p>ASSEMBLY 125</p>	<p>INSTALLATION 129</p> <p>FLUID AND FILTER</p> <p>DESCRIPTION 131</p> <p>OPERATION 131</p> <p>DIAGNOSIS AND TESTING</p> <p style="padding-left: 20px;">EFFECTS OF INCORRECT FLUID LEVEL .. 131</p> <p style="padding-left: 20px;">CAUSES OF BURNT FLUID 132</p> <p style="padding-left: 20px;">FLUID CONTAMINATION 132</p> <p>STANDARD PROCEDURE</p> <p style="padding-left: 20px;">CHECK OIL LEVEL 132</p> <p style="padding-left: 20px;">TRANSMISSION FILL 133</p> <p style="padding-left: 20px;">FLUID/FILTER SERVICE 134</p> <p>FREEWHEELING CLUTCH</p> <p>DESCRIPTION 135</p> <p>OPERATION 135</p> <p>DISASSEMBLY 136</p> <p>ASSEMBLY 138</p> <p>GEARSHIFT CABLE</p> <p>DIAGNOSIS AND TESTING</p> <p style="padding-left: 20px;">GEARSHIFT CABLE 138</p> <p>REMOVAL 139</p> <p>INSTALLATION 140</p> <p>HOLDING CLUTCHES</p> <p>DESCRIPTION 141</p> <p>OPERATION 142</p> <p>HOLDING CLUTCH B1</p> <p>DISASSEMBLY 143</p> <p>ASSEMBLY 145</p> <p>HOLDING CLUTCH B2</p> <p>DISASSEMBLY 148</p> <p>ASSEMBLY 150</p> <p>INPUT SPEED SENSORS</p> <p>DESCRIPTION 153</p> <p>OPERATION 154</p> <p>OIL PUMP</p> <p>DESCRIPTION 154</p> <p>OPERATION 154</p> <p>DISASSEMBLY 155</p>
---	---

INSPECTION	155	REMOVAL	169
ASSEMBLY	156	INSTALLATION	170
OUTPUT SHAFT BEARING		SOLENOID	
REMOVAL	156	DESCRIPTION	171
INSTALLATION	158	OPERATION	174
OUTPUT SHAFT SEAL		TEMPERATURE SENSOR/PARK-NEUTRAL	
REMOVAL	159	CONTACT	
INSTALLATION	159	DESCRIPTION	
PARK LOCK CABLE		PARK/NEUTRAL CONTACT	176
REMOVAL	160	TRANSMISSION TEMPERATURE SENSOR .	176
INSTALLATION	161	OPERATION	
PISTONS		PARK/NEUTRAL CONTACT	177
DESCRIPTION	163	TRANSMISSION TEMPERATURE SENSOR .	177
OPERATION	163	TORQUE CONVERTER	
PLANETARY GEARTRAIN		DESCRIPTION	178
DESCRIPTION	164	OPERATION	182
OPERATION	165	REMOVAL	183
DISASSEMBLY	166	INSTALLATION	184
ASSEMBLY	167	TORQUE CONVERTER HUB SEAL	
SHIFT MECHANISM		REMOVAL	184
DESCRIPTION	168	INSTALLATION	184
OPERATION	168		

AUTOMATIC TRANSMISSION NAG1 - SERVICE INFORMATION

DESCRIPTION



80e28e56

Fig. 1 NAG1 Automatic Transmission

- 1 - TORQUE CONVERTER
- 2 - OIL PUMP
- 3 - DRIVESHAFT
- 4 - MULTI-DISC HOLDING CLUTCH B1
- 5 - DRIVING CLUTCH K1
- 6 - DRIVING CLUTCH K2
- 7 - MULTI-DISC HOLDING CLUTCH B3
- 8 - DRIVING CLUTCH K3
- 9 - MULTI-DISC HOLDING CLUTCH B2
- 10 - OUTPUT SHAFT

- 11 - PARKING LOCK GEAR
- 12 - INTERMEDIATE SHAFT
- 13 - FREEWHEEL F2
- 14 - REAR PLANETARY GEAR SET
- 15 - CENTER PLANETARY GEAR SET
- 16 - ELECTROHYDRAULIC CONTROL UNIT
- 17 - FRONT PLANETARY GEAR SET
- 18 - FREEWHEEL F1
- 19 - STATOR SHAFT
- 20 - TORQUE CONVERTER LOCK-UP CLUTCH

The NAG1 automatic transmission (Fig. 1) is an electronically controlled 5-speed transmission with a lock-up clutch in the torque converter. The ratios for the gear stages are obtained by 3 planetary gear sets. Fifth gear is designed as an overdrive with a high-speed ratio.

NAG1 identifies a family of transmissions and means "N"ew "A"utomatic "G"earbox, generation 1. Various marketing names are associated with the NAG1 family of transmissions, depending on the transmission variation being used in a specific vehicle. Some examples of the marketing names are: W5A300, W5A380, and W5A580. The marketing name can be interpreted as follows:

- W = A transmission using a hydraulic torque converter.
- 5 = 5 forward gears.
- A = Automatic Transmission.

- 580 = Maximum input torque capacity in Newton meters.

The gears are actuated electronically/hydraulically. The gears are shifted by means of an appropriate combination of three multi-disc holding clutches, three multi-disc driving clutches, and two freewheeling clutches.

Electronic transmission control enables precise adaptation of pressures to the respective operating conditions and to the engine output during the shift phase which results in a significant improvement in shift quality.

Furthermore, it offers the advantage of a flexible adaptation to various vehicle and engines.

Basically, the automatic transmission with electronic control offers the following advantages:

- Reduces fuel consumption.
- Improved shift comfort.
- More favourable step-up through the five gears.

- Increased service life and reliability.
- Lower maintenance costs.

TRANSMISSION IDENTIFICATION

The transmission can be generically identified visually by the presence of a round 13-way connector located near the front corner of the transmission oil pan, on the right side. Specific transmission information can be found stamped into a pad on the left side of the transmission, above the oil pan rail.

TRANSMISSION GEAR RATIOS

The gear ratios for the NAG1 automatic transmission are as follows:

1st Gear	3.59:1
2nd Gear	2.19:1
3rd Gear	1.41:1
4th Gear	1.00:1
5th Gear	0.83:1
Reverse	3.16:1

TRANSMISSION HOUSING

The converter housing and transmission are made from a light alloy. These are bolted together and centered via the outer multi-disc carrier of multi-disc holding clutch, B1. A coated intermediate plate provides the sealing. The oil pump and the outer multi-disc carrier of the multi-disc holding clutch, B1, are bolted to the converter housing. The stator shaft is pressed into it and prevented from rotating by splines. The electrohydraulic unit is bolted to the transmission housing from underneath. A sheet metal steel oil pan forms the closure.

MECHANICAL SECTION

The mechanical section consists of a input shaft, output shaft, a sun gear shaft, and three planetary gear sets which are coupled to each other. The planetary gear sets each have four planetary pinion gears. The oil pressure for the torque converter lock-up clutch and clutch K2 is supplied through bores in the input shaft. The oil pressure to clutch K3 is transmitted through the output shaft. The lubricating oil is distributed through additional bores in both shafts. All the bearing points of the gear sets, as well as the freewheeling clutches and actuators, are supplied with lubricating oil. The parking lock gear is connected to the output shaft via splines.

Freewheeling clutches F1 and F2 are used to optimize the shifts. The front freewheel, F1, is supported on the extension of the stator shaft on the transmission side and, in the locking direction, connects the sun gear of the front planetary gear set to the transmission housing. In the locking direction, the rear freewheeling clutch, F2, connects the sun gear of the center planetary gear set to the sun gear of the rear planetary gear set.

ELECTROHYDRAULIC CONTROL UNIT

The electrohydraulic control unit comprises the shift plate made from light alloy for the hydraulic control and an electrical control unit. The electrical control unit comprises of a supporting body made of plastic, into which the electrical components are assembled. The supporting body is mounted on the shift plate and screwed to it.

Strip conductors inserted into the supporting body make the connection between the electrical components and a plug connector. The connection to the wiring harness on the vehicle and the transmission control module (TCM) is produced via this 13-pin plug connector with a bayonet lock.

SHIFT GROUPS

The hydraulic control components (including actuators) which are responsible for the pressure distribution before, during, and after a gear change are described as a shift group. Each shift group contains a command valve, a holding pressure shift valve, a shift pressure shift valve, overlap regulating valve, and a solenoid.

The hydraulic system contains three shift groups: 1-2/4-5, 2-3, and 3-4. Each shift group can also be described as being in one of two possible states. The active shift group is described as being in the shift phase when it is actively engaging/disengaging a clutch combination. The 1-2/4-5 shift group control the B1 and K1 clutches. The 2-3 shift group controls the K2 and K3 clutches. The 3-4 shift group controls the K3 and B2 clutches.

OPERATION

The transmission control is divided into the electronic and hydraulic transmission control functions. While the electronic transmission control is responsible for gear selection and for matching the pressures to the torque to be transmitted, the transmission's power supply control occurs via hydraulic elements in the electrohydraulic control module. The oil supply to the hydraulic elements, such as the hydrodynamic torque converter, the shift elements and the hydraulic transmission control, is provided by way of an oil pump connected with the torque converter.

The Transmission Control Module (TCM) allows for the precise adaptation of pressures to the corresponding operating conditions and to the engine output during the gearshift phase, resulting in a noticeable improvement in shift quality. The engine speed limit can be reached in the individual gears at full throttle and kickdown. The shift range can be changed in the forward gears while driving, but the TCM employs a downshift safeguard to prevent over-revving the engine. The system offers the additional advantage of

flexible adaptation to different vehicle and engine variants.

EMERGENCY RUNNING FUNCTION

In order to ensure a safe driving state and to prevent damage to the automatic transmission, the TCM control module switches to limp-home mode in the event of critical faults. A diagnostic trouble code (DTC) assigned to the fault is stored in memory. All solenoid and regulating valves are thus de-energized.

The net effect is:

- The last engaged gear remains engaged.
- The modulating pressure and shift pressures rise to the maximum levels.
- The torque converter lockup clutch is deactivated.

In order to preserve the operability of the vehicle to some extent, the hydraulic control can be used to engage 2nd gear or reverse using the following procedure:

- Stop the vehicle.
- Move selector lever to "P".
- Switch off engine.
- Wait at least 10 seconds.
- Start engine.
- Move selector lever to D: 2nd gear.
- Move selector lever to R: Reverse gear.

The limp-home function remains active until the DTC is rectified or the stored DTC is erased with the appropriate scan tool. Sporadic faults can be reset via ignition OFF/ON.

CLUTCH APPLICATION

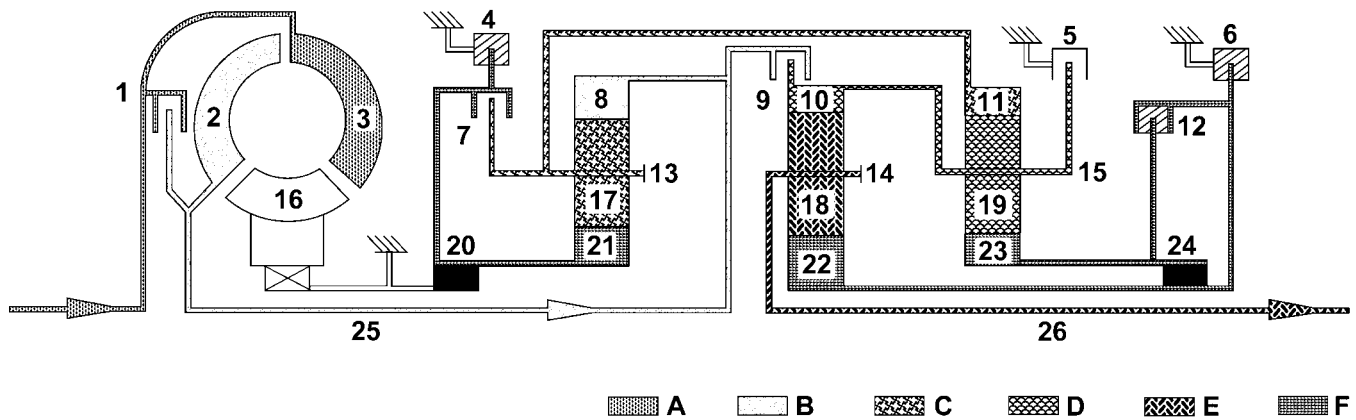
Refer to CLUTCH APPLICATION for which shift elements are applied in each gear position.

CLUTCH APPLICATION

GEAR	RATIO	B1	B2	B3	K1	K2	K3	F1	F2
1	3.59	X*	X				X*	X	X
2	2.19		X		X		X*		X
3	1.41		X		X	X			
4	1.00				X	X	X		
5	0.83	X				X	X	X*	
N	N/A	X					X		
R	3.16	X*		X			X	X	
R - Limp In	1.93			X	X		X		

* = The shift components required during coast.

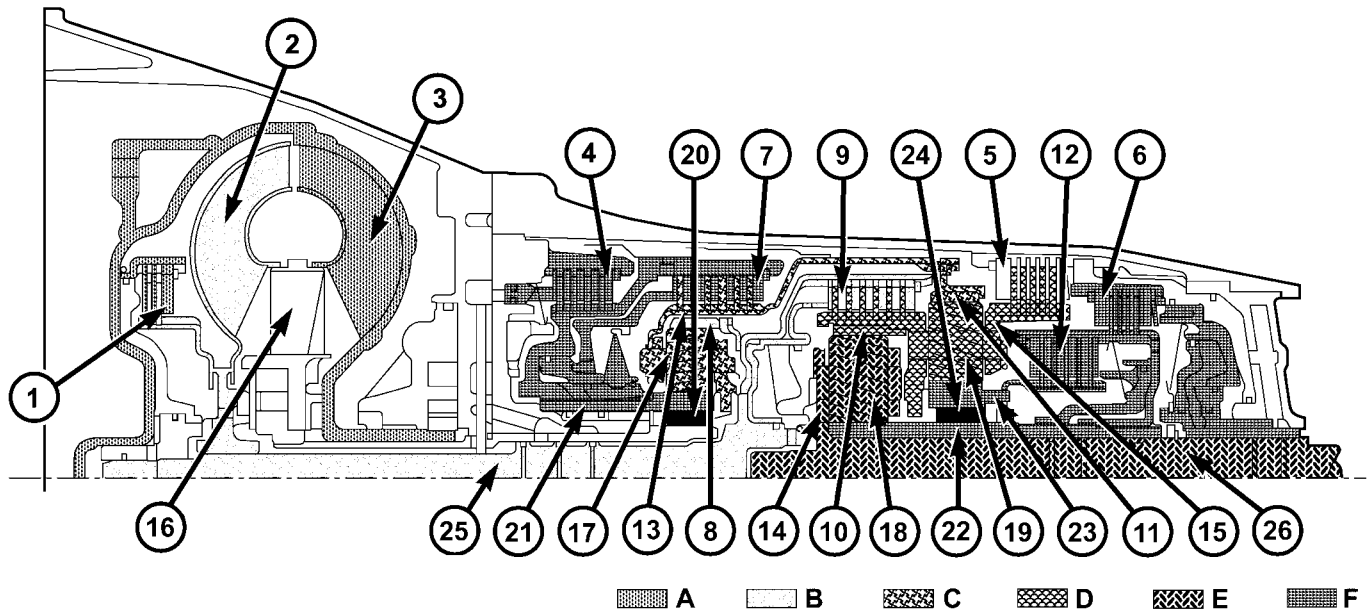
FIRST GEAR POWERFLOW



80e2ac5c

Fig. 2 First Gear Powerflow

- | | |
|-------------------------------------|------------------------------------|
| 1 - TORQUE CONVERTER LOCK-UP CLUTCH | 14 - CENTER PLANETARY CARRIER |
| 2 - TORQUE CONVERTER TURBINE | 15 - REAR PLANETARY CARRIER |
| 3 - TORQUE CONVERTER IMPELLER | 16 - TORQUE CONVERTER STATOR |
| 4 - HOLDING CLUTCH B1 | 17 - FRONT PLANETARY PINION GEARS |
| 5 - HOLDING CLUTCH B3 | 18 - CENTER PLANETARY PINION GEARS |
| 6 - HOLDING CLUTCH B2 | 19 - REAR PLANETARY PINION GEARS |
| 7 - DRIVING CLUTCH K1 | 20 - FREEWHEELING CLUTCH F1 |
| 8 - FRONT PLANETARY ANNULUS GEAR | 21 - FRONT PLANETARY SUN GEAR |
| 9 - DRIVING CLUTCH K2 | 22 - CENTER PLANETARY SUN GEAR |
| 10 - CENTER PLANETARY ANNULUS GEAR | 23 - REAR PLANETARY SUN GEAR |
| 11 - REAR PLANETARY ANNULUS GEAR | 24 - FREEWHEELING CLUTCH F2 |
| 12 - DRIVING CLUTCH K3 | 25 - INPUT SHAFT |
| 13 - FRONT PLANETARY CARRIER | 26 - OUTPUT SHAFT |
| A - ENGINE SPEED | D - SECOND GEAR RATIO |
| B - TRANSMISSION INPUT SPEED | E - THIRD GEAR RATIO |
| C - FIRST GEAR RATIO | F - FIXED PARTS |



80e2ac69

Fig. 3 First Gear Powerflow

- 1 - TORQUE CONVERTER LOCK-UP CLUTCH
- 2 - TORQUE CONVERTER TURBINE
- 3 - TORQUE CONVERTER IMPELLER
- 4 - HOLDING CLUTCH B1
- 5 - HOLDING CLUTCH B3
- 6 - HOLDING CLUTCH B2
- 7 - DRIVING CLUTCH K1
- 8 - FRONT PLANETARY ANNULUS GEAR
- 9 - DRIVING CLUTCH K2
- 10 - CENTER PLANETARY ANNULUS GEAR
- 11 - REAR PLANETARY ANNULUS GEAR
- 12 - DRIVING CLUTCH K3
- 13 - FRONT PLANETARY CARRIER
- A - ENGINE SPEED
- B - TRANSMISSION INPUT SPEED
- C - FIRST GEAR RATIO

- 14 - CENTER PLANETARY CARRIER
- 15 - REAR PLANETARY CARRIER
- 16 - TORQUE CONVERTER STATOR
- 17 - FRONT PLANETARY PINION GEARS
- 18 - CENTER PLANETARY PINION GEARS
- 19 - REAR PLANETARY PINION GEARS
- 20 - FREEWHEELING CLUTCH F1
- 21 - FRONT PLANETARY SUN GEAR
- 22 - CENTER PLANETARY SUN GEAR
- 23 - REAR PLANETARY SUN GEAR
- 24 - FREEWHEELING CLUTCH F2
- 25 - INPUT SHAFT
- 26 - OUTPUT SHAFT
- D - SECOND GEAR RATIO
- E - THIRD GEAR RATIO
- F - FIXED PARTS

Torque from the torque converter is increased via the input shaft (25) and all three planetary gearsets and transferred to the output shaft (26). (Fig. 2) (Fig. 3)

Front Planetary Gear Set

The annulus gear (8) is driven by the input shaft (25). The sun gear (21) is held against the housing by the locked freewheel F1 (20) during acceleration and via the engaged multiple-disc holding clutch B1 (4) during deceleration. The planetary pinion gears (17) turn on the fixed sun gear (21) and increase the torque from the annulus gear (8) to the planetary carrier (13). The planetary carrier (13) moves at a reduced speed in the running direction of the engine.

Rear Planetary Gear Set

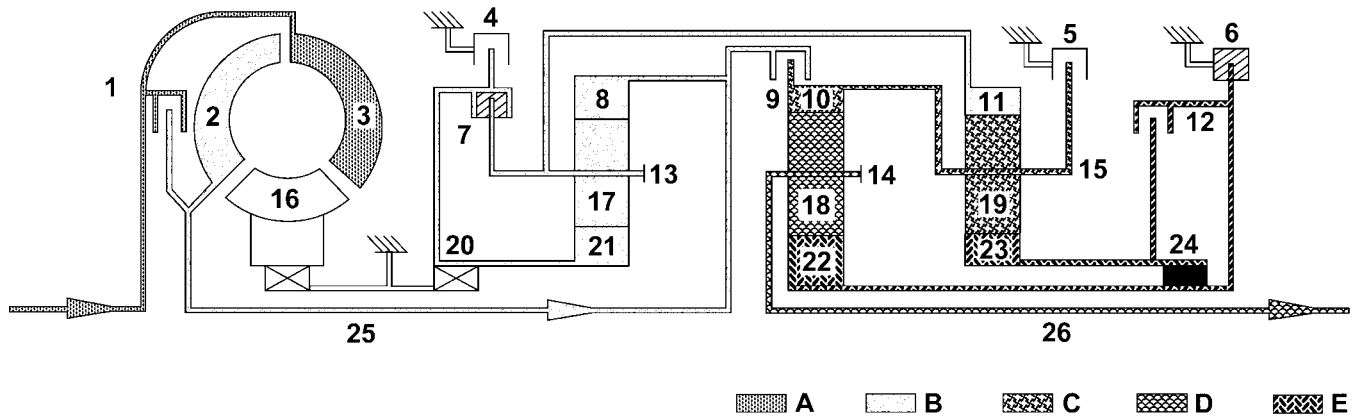
The annulus gear (11) turns at a reduced speed due to the mechanical connection to the front planetary carrier (15). The sun gear (23) is held against the housing by the engaged multiple-disc holding clutch B2 (6), by the locked freewheel F2 (24) during acceleration and by the engaged multiple-disc clutch K3 (12) during deceleration. The planetary gears (19) turn on the fixed sun gear (23) and increase the torque from the annulus gear (11) to the planetary carrier (15). The planetary carrier (15) moves at a reduced speed in the running direction of the engine.

Center Planetary Gear Set

The annulus gear (10) is driven at the same speed as the rear planetary carrier (15) as a result of a

mechanical connection. The sun gear (22) is held against the housing by the multiple-disc holding clutch B2 (6). The planetary pinion gears (18) turn on the fixed sun gear (22) and increase the torque from the annulus gear (10) to the planetary carrier (14). The output shaft (26) connected to the planetary carrier (14) turns at a reduced speed in the running direction of the engine.

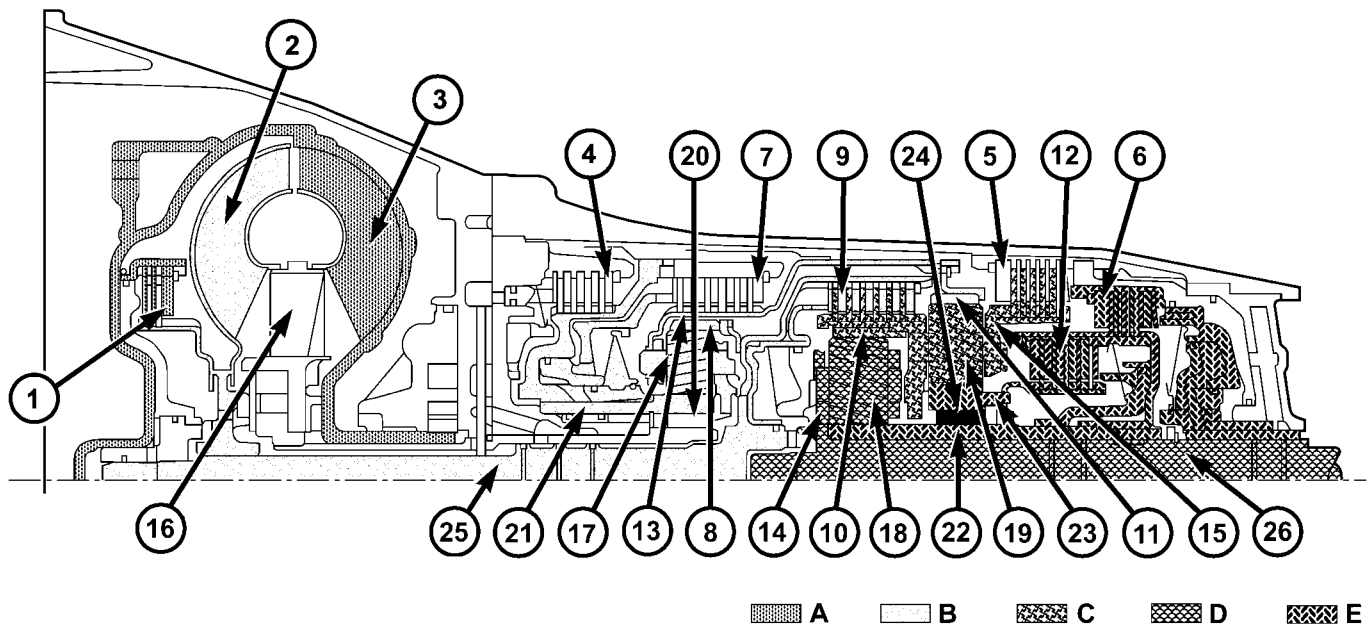
SECOND GEAR POWERFLOW



80e2ac99

Fig. 4 Second Gear Powerflow

- | | |
|---|---|
| <ul style="list-style-type: none"> 1 - TORQUE CONVERTER LOCK-UP CLUTCH 2 - TORQUE CONVERTER TURBINE 3 - TORQUE CONVERTER IMPELLER 4 - HOLDING CLUTCH B1 5 - HOLDING CLUTCH B3 6 - HOLDING CLUTCH B2 7 - DRIVING CLUTCH K1 8 - FRONT PLANETARY ANNULUS GEAR 9 - DRIVING CLUTCH K2 10 - CENTER PLANETARY ANNULUS GEAR 11 - REAR PLANETARY ANNULUS GEAR 12 - DRIVING CLUTCH K3 13 - FRONT PLANETARY CARRIER A - ENGINE SPEED B - TRANSMISSION INPUT SPEED C - FIRST GEAR RATIO | <ul style="list-style-type: none"> 14 - CENTER PLANETARY CARRIER 15 - REAR PLANETARY CARRIER 16 - TORQUE CONVERTER STATOR 17 - FRONT PLANETARY PINION GEARS 18 - CENTER PLANETARY PINION GEARS 19 - REAR PLANETARY PINION GEARS 20 - FREEWHEELING CLUTCH F1 21 - FRONT PLANETARY SUN GEAR 22 - CENTER PLANETARY SUN GEAR 23 - REAR PLANETARY SUN GEAR 24 - FREEWHEELING CLUTCH F2 25 - INPUT SHAFT 26 - OUTPUT SHAFT D - SECOND GEAR RATIO E - FIXED PARTS |
|---|---|



80e2ac90

Fig. 5 Second Gear Powerflow

1 - TORQUE CONVERTER LOCK-UP CLUTCH
 2 - TORQUE CONVERTER TURBINE
 3 - TORQUE CONVERTER IMPELLER
 4 - HOLDING CLUTCH B1
 5 - HOLDING CLUTCH B3
 6 - HOLDING CLUTCH B2
 7 - DRIVING CLUTCH K1
 8 - FRONT PLANETARY ANNULUS GEAR
 9 - DRIVING CLUTCH K2
 10 - CENTER PLANETARY ANNULUS GEAR
 11 - REAR PLANETARY ANNULUS GEAR
 12 - DRIVING CLUTCH K3
 13 - FRONT PLANETARY CARRIER
 A - ENGINE SPEED
 B - TRANSMISSION INPUT SPEED
 C - FIRST GEAR RATIO

14 - CENTER PLANETARY CARRIER
 15 - REAR PLANETARY CARRIER
 16 - TORQUE CONVERTER STATOR
 17 - FRONT PLANETARY PINION GEARS
 18 - CENTER PLANETARY PINION GEARS
 19 - REAR PLANETARY PINION GEARS
 20 - FREEWHEELING CLUTCH F1
 21 - FRONT PLANETARY SUN GEAR
 22 - CENTER PLANETARY SUN GEAR
 23 - REAR PLANETARY SUN GEAR
 24 - FREEWHEELING CLUTCH F2
 25 - INPUT SHAFT
 26 - OUTPUT SHAFT
 D - SECOND GEAR RATIO
 E - FIXED PARTS

Torque from the torque converter is increased via the input shaft (25) and the center and rear planetary gearset and transferred to the output shaft (26). (Fig. 4) (Fig. 5)

Front Planetary Gear Set

The planetary carrier (13) and sun gear (21) are connected via the engaged multiple-disc clutch K1 (7). The planetary gearset is therefore blocked and turns as a closed unit at the input speed due to the mechanical connection of the annulus gear (8) and input shaft.

Rear Planetary Gear Set

The annulus gear (11) turns at the input speed as a result of the mechanical connection to the front planetary carrier (13). The sun gear (23) is held

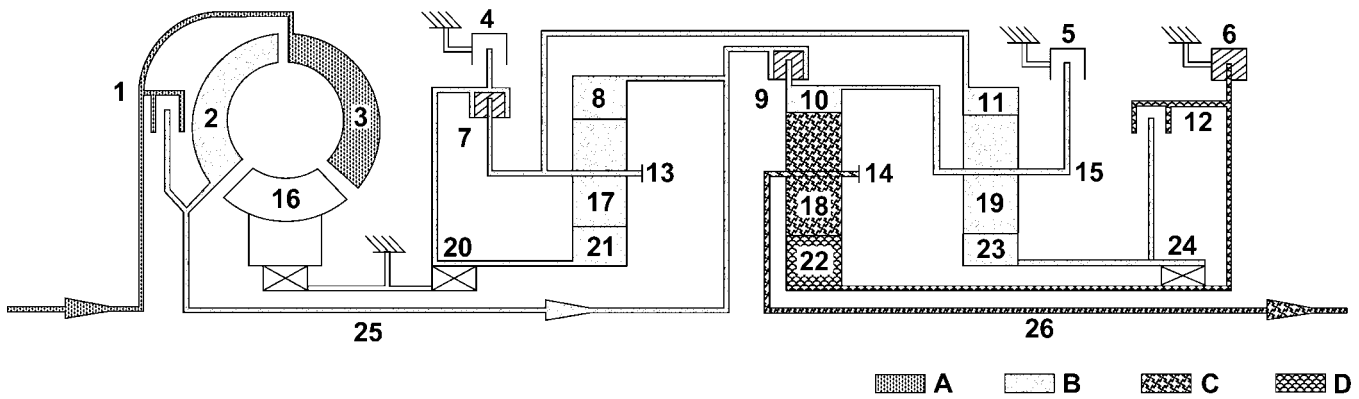
against the housing by the engaged multiple-disc holding clutch B2 (6), by the locked freewheel F2 (24) during acceleration and by the engaged multiple-disc clutch K3 (12) during deceleration. The planetary pinion gears (19) turn on the fixed sun gear (23) and increase the torque from the annulus gear (11) to the planetary carrier (15). The planetary carrier (15) moves at a reduced speed in the running direction of the engine.

Center Planetary Gear Set

The annulus gear (10) is driven at the same speed as the rear planetary carrier (15) as a result of a mechanical connection. The sun gear (22) is held against the housing by the multiple-disc holding clutch B2 (6). The planetary pinion gears (18) turn on the fixed sun gear (22) and increase the torque

from the annulus gear (10) to the planetary carrier (14). The output shaft (5) connected to the planetary carrier (14) turns at a reduced speed in the running direction of the engine.

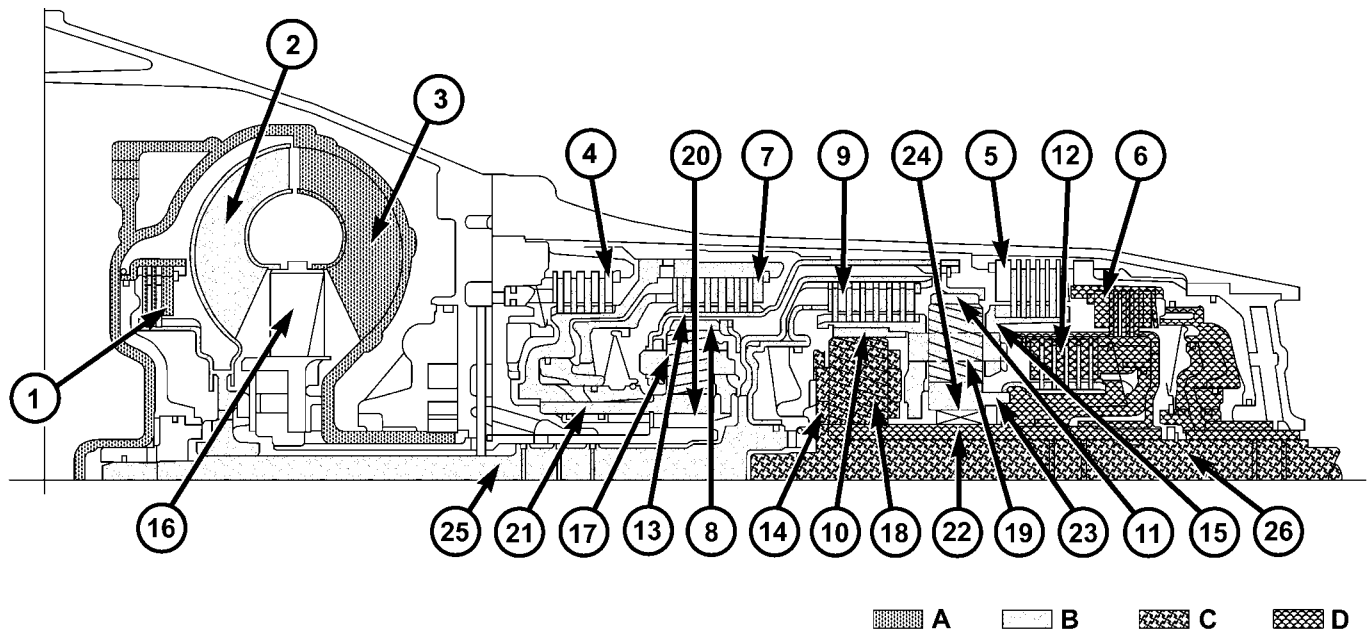
THIRD GEAR POWERFLOW



80e2ac9e

Fig. 6 Third Gear Powerflow

- | | |
|---|--|
| <ul style="list-style-type: none"> 1 - TORQUE CONVERTER LOCK-UP CLUTCH 2 - TORQUE CONVERTER TURBINE 3 - TORQUE CONVERTER IMPELLER 4 - HOLDING CLUTCH B1 5 - HOLDING CLUTCH B3 6 - HOLDING CLUTCH B2 7 - DRIVING CLUTCH K1 8 - FRONT PLANETARY ANNULUS GEAR 9 - DRIVING CLUTCH K2 10 - CENTER PLANETARY ANNULUS GEAR 11 - REAR PLANETARY ANNULUS GEAR 12 - DRIVING CLUTCH K3 13 - FRONT PLANETARY CARRIER A - ENGINE SPEED B - TRANSMISSION INPUT SPEED | <ul style="list-style-type: none"> 14 - CENTER PLANETARY CARRIER 15 - REAR PLANETARY CARRIER 16 - TORQUE CONVERTER STATOR 17 - FRONT PLANETARY PINION GEARS 18 - CENTER PLANETARY PINION GEARS 19 - REAR PLANETARY PINION GEARS 20 - FREEWHEELING CLUTCH F1 21 - FRONT PLANETARY SUN GEAR 22 - CENTER PLANETARY SUN GEAR 23 - REAR PLANETARY SUN GEAR 24 - FREEWHEELING CLUTCH F2 25 - INPUT SHAFT 26 - OUTPUT SHAFT C - FIRST GEAR RATIO D - FIXED PARTS |
|---|--|



80e2aca4

Fig. 7 Third Gear Powerflow

- 1 - TORQUE CONVERTER LOCK-UP CLUTCH
- 2 - TORQUE CONVERTER TURBINE
- 3 - TORQUE CONVERTER IMPELLER
- 4 - HOLDING CLUTCH B1
- 5 - HOLDING CLUTCH B3
- 6 - HOLDING CLUTCH B2
- 7 - DRIVING CLUTCH K1
- 8 - FRONT PLANETARY ANNULUS GEAR
- 9 - DRIVING CLUTCH K2
- 10 - CENTER PLANETARY ANNULUS GEAR
- 11 - REAR PLANETARY ANNULUS GEAR
- 12 - DRIVING CLUTCH K3
- 13 - FRONT PLANETARY CARRIER
- A - ENGINE SPEED
- B - TRANSMISSION INPUT SPEED

- 14 - CENTER PLANETARY CARRIER
- 15 - REAR PLANETARY CARRIER
- 16 - TORQUE CONVERTER STATOR
- 17 - FRONT PLANETARY PINION GEARS
- 18 - CENTER PLANETARY PINION GEARS
- 19 - REAR PLANETARY PINION GEARS
- 20 - FREEWHEELING CLUTCH F1
- 21 - FRONT PLANETARY SUN GEAR
- 22 - CENTER PLANETARY SUN GEAR
- 23 - REAR PLANETARY SUN GEAR
- 24 - FREEWHEELING CLUTCH F2
- 25 - INPUT SHAFT
- 26 - OUTPUT SHAFT
- C - FIRST GEAR RATIO
- D - FIXED PARTS

Torque from the torque converter is increased via the input shaft (25) and the center planetary gearset and transferred to the output shaft (26). (Fig. 6) (Fig. 7)

Front Planetary Gear Set

The planetary carrier (13) and sun gear (21) are connected via the engaged multiple-disc clutch K1 (7). The planetary gearset is therefore locked and turns as a closed unit at the input speed due to the mechanical connection of the annulus gear (8) and input shaft (25).

Rear Planetary Gear Set

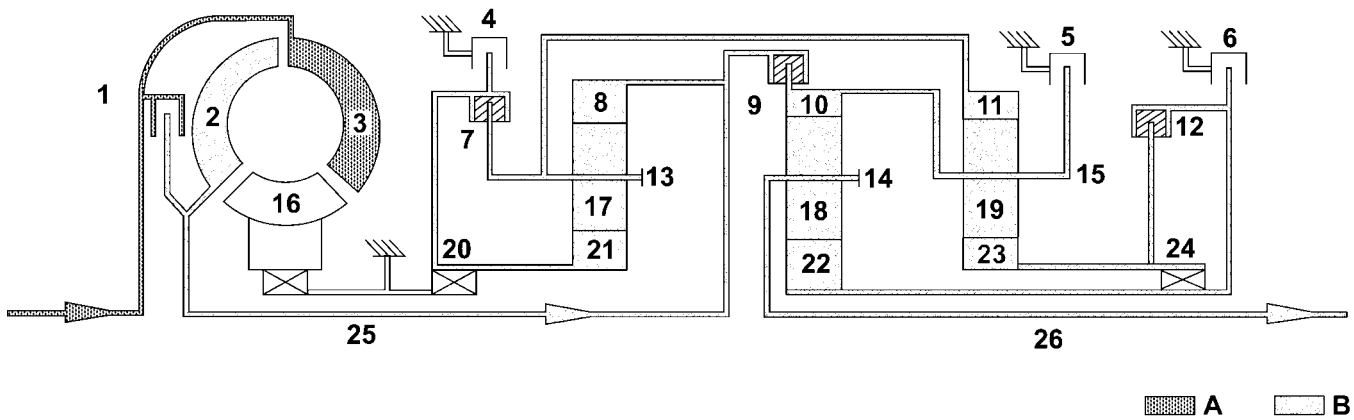
The multiple-disc clutch K2 (9) is engaged and transfers the input speed of the input shaft (25) to the planetary carrier (15) via the annulus gear (10).

The annulus gear (11) turns in the same way as the planetary carrier (15) due to the mechanical connection with the locked front planetary gearset. This planetary gearset is therefore locked and turns as a closed unit.

Center Planetary Gear Set

The annulus gear (10) turns at the input speed as a result of the engaged multiple-disc clutch K2 (9). The sun gear (22) is held against the housing by the multiple-disc holding clutch B2 (6). The planetary pinion gears (18) turn on the fixed sun gear (22) and increase the torque from the annulus gear (10) to the planetary carrier (14). The output shaft (26) connected to the planetary carrier (14) turns at a reduced speed in the running direction of the engine.

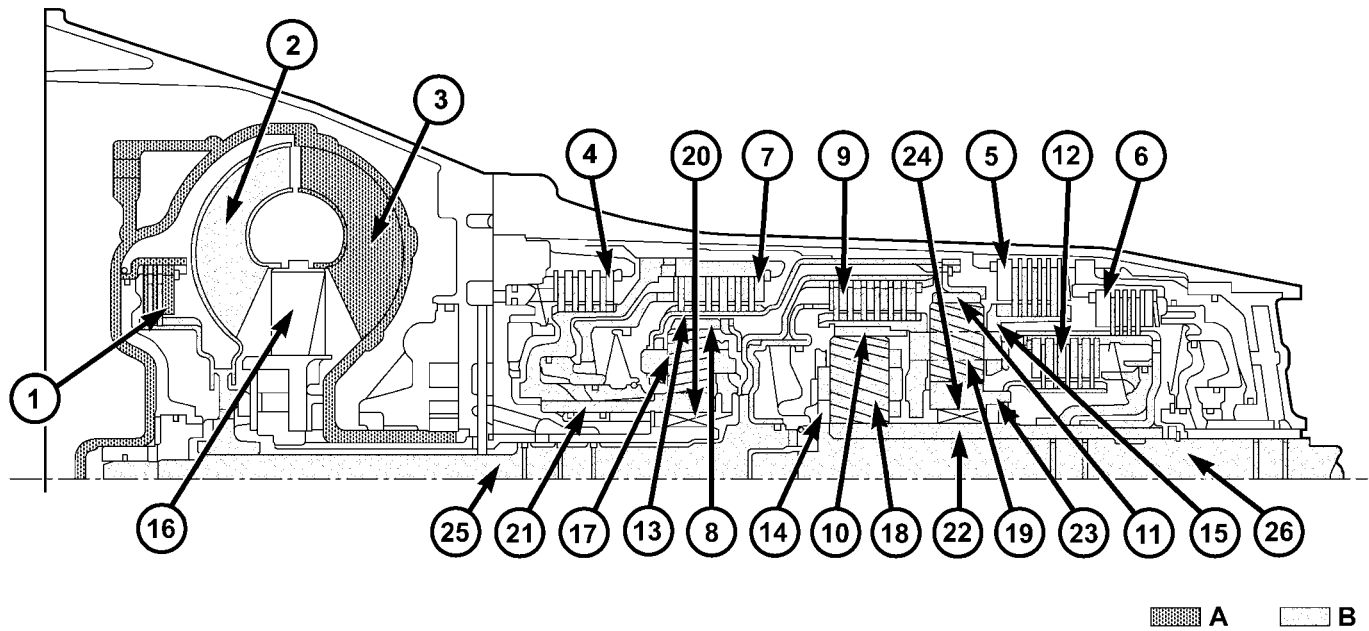
FOURTH GEAR POWERFLOW



80e2acb5

Fig. 8 Fourth Gear Powerflow

- | | |
|---|---|
| <ul style="list-style-type: none"> 1 - TORQUE CONVERTER LOCK-UP CLUTCH 2 - TORQUE CONVERTER TURBINE 3 - TORQUE CONVERTER IMPELLER 4 - HOLDING CLUTCH B1 5 - HOLDING CLUTCH B3 6 - HOLDING CLUTCH B2 7 - DRIVING CLUTCH K1 8 - FRONT PLANETARY ANNULUS GEAR 9 - DRIVING CLUTCH K2 10 - CENTER PLANETARY ANNULUS GEAR 11 - REAR PLANETARY ANNULUS GEAR 12 - DRIVING CLUTCH K3 13 - FRONT PLANETARY CARRIER A - ENGINE SPEED | <ul style="list-style-type: none"> 14 - CENTER PLANETARY CARRIER 15 - REAR PLANETARY CARRIER 16 - TORQUE CONVERTER STATOR 17 - FRONT PLANETARY PINION GEARS 18 - CENTER PLANETARY PINION GEARS 19 - REAR PLANETARY PINION GEARS 20 - FREEWHEELING CLUTCH F1 21 - FRONT PLANETARY SUN GEAR 22 - CENTER PLANETARY SUN GEAR 23 - REAR PLANETARY SUN GEAR 24 - FREEWHEELING CLUTCH F2 25 - INPUT SHAFT 26 - OUTPUT SHAFT B - TRANSMISSION INPUT SPEED |
|---|---|



80e2acb9

Fig. 9 Fourth Gear Powerflow

- 1 - TORQUE CONVERTER LOCK-UP CLUTCH
- 2 - TORQUE CONVERTER TURBINE
- 3 - TORQUE CONVERTER IMPELLER
- 4 - HOLDING CLUTCH B1
- 5 - HOLDING CLUTCH B3
- 6 - HOLDING CLUTCH B2
- 7 - DRIVING CLUTCH K1
- 8 - FRONT PLANETARY ANNULUS GEAR
- 9 - DRIVING CLUTCH K2
- 10 - CENTER PLANETARY ANNULUS GEAR
- 11 - REAR PLANETARY ANNULUS GEAR
- 12 - DRIVING CLUTCH K3
- 13 - FRONT PLANETARY CARRIER
- A - ENGINE SPEED

- 14 - CENTER PLANETARY CARRIER
- 15 - REAR PLANETARY CARRIER
- 16 - TORQUE CONVERTER STATOR
- 17 - FRONT PLANETARY PINION GEARS
- 18 - CENTER PLANETARY PINION GEARS
- 19 - REAR PLANETARY PINION GEARS
- 20 - FREEWHEELING CLUTCH F1
- 21 - FRONT PLANETARY SUN GEAR
- 22 - CENTER PLANETARY SUN GEAR
- 23 - REAR PLANETARY SUN GEAR
- 24 - FREEWHEELING CLUTCH F2
- 25 - INPUT SHAFT
- 26 - OUTPUT SHAFT
- B - TRANSMISSION INPUT SPEED

Speed and torque are not converted by the direct gear ratio of the 4th gear. Power is transferred from the input shaft (25) to the output shaft (26) via three locked planetary gearsets. (Fig. 8) (Fig. 9)

Front Planetary Gear Set

The planetary carrier (13) and sun gear (21) are connected via the engaged multiple-disc clutch K1 (7). The planetary gearset is therefore locked and turns as a closed unit at the input speed due to the mechanical connection of the annulus gear (8) and the input shaft (25).

Rear Planetary Gear Set

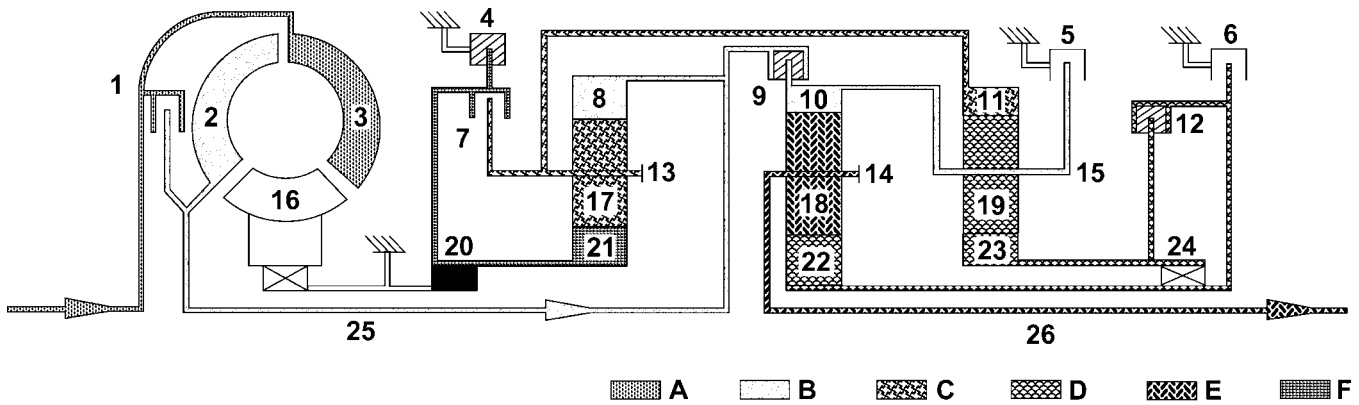
The multiple-disc clutch K2 (9) is engaged and transfers the input speed of the input shaft (25) to the planetary carrier (15) via the annulus gear (10). The annulus gear (11) turns in the same way as the

planetary carrier (15) due to the mechanical connection with the locked front planetary gearset. The planetary gearset is therefore locked and turns as a closed unit.

Center Planetary Gear Set

The annulus gear (10) turns at the input speed as a result of the engaged multiple-disc clutch K2 (9). The multiple-disc clutch K3 (12) connects the sun gears (22) and (23) of the rear and center planetary gearset. The planetary gearset is locked by the same speeds of the annulus gear (10) and the sun gear (22) and it turns as a closed unit.

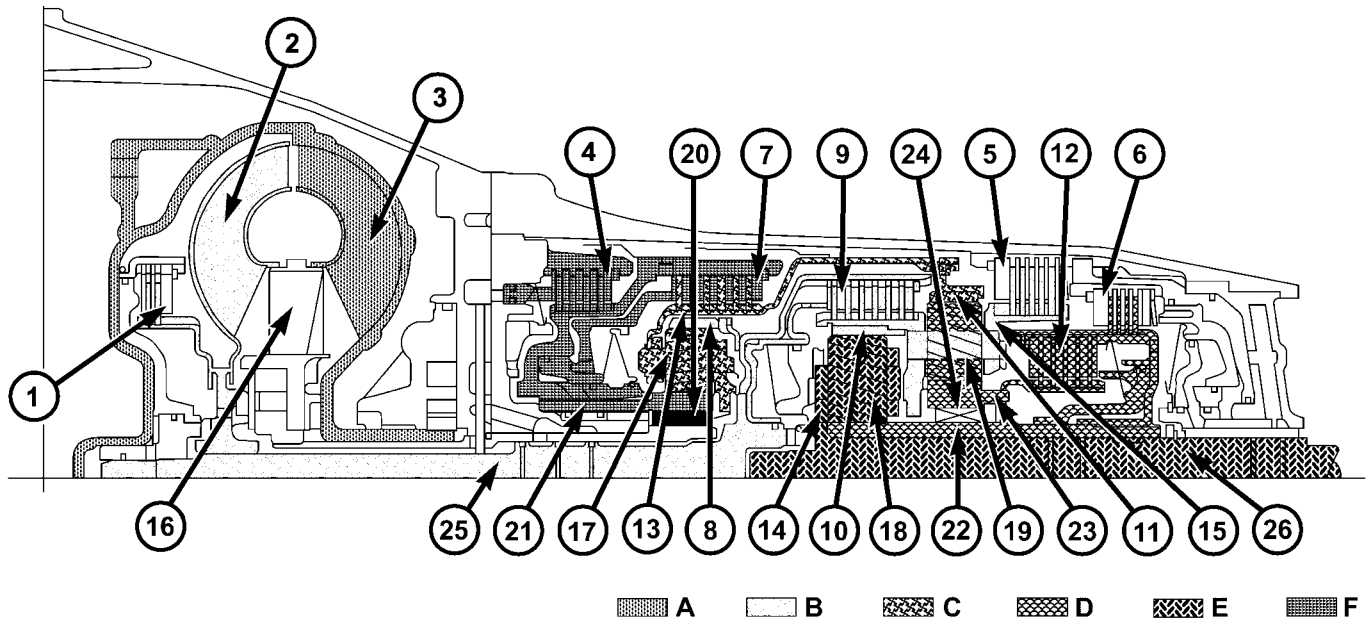
FIFTH GEAR POWERFLOW



80e2acc1

Fig. 10 Fifth Gear Powerflow

- | | |
|--|--|
| <p>1 - TORQUE CONVERTER LOCK-UP CLUTCH
 2 - TORQUE CONVERTER TURBINE
 3 - TORQUE CONVERTER IMPELLER
 4 - HOLDING CLUTCH B1
 5 - HOLDING CLUTCH B3
 6 - HOLDING CLUTCH B2
 7 - DRIVING CLUTCH K1
 8 - FRONT PLANETARY ANNULUS GEAR
 9 - DRIVING CLUTCH K2
 10 - CENTER PLANETARY ANNULUS GEAR
 11 - REAR PLANETARY ANNULUS GEAR
 12 - DRIVING CLUTCH K3
 13 - FRONT PLANETARY CARRIER
 A - ENGINE SPEED
 B - TRANSMISSION INPUT SPEED
 C - FIRST GEAR RATIO</p> | <p>14 - CENTER PLANETARY CARRIER
 15 - REAR PLANETARY CARRIER
 16 - TORQUE CONVERTER STATOR
 17 - FRONT PLANETARY PINION GEARS
 18 - CENTER PLANETARY PINION GEARS
 19 - REAR PLANETARY PINION GEARS
 20 - FREEWHEELING CLUTCH F1
 21 - FRONT PLANETARY SUN GEAR
 22 - CENTER PLANETARY SUN GEAR
 23 - REAR PLANETARY SUN GEAR
 24 - FREEWHEELING CLUTCH F2
 25 - INPUT SHAFT
 26 - OUTPUT SHAFT
 D - SECOND GEAR RATIO
 E - THIRD GEAR RATIO
 F - FIXED PARTS</p> |
|--|--|



80e2acc5

Fig. 11 Fifth Gear Powerflow

- 1 - TORQUE CONVERTER LOCK-UP CLUTCH
- 2 - TORQUE CONVERTER TURBINE
- 3 - TORQUE CONVERTER IMPELLER
- 4 - HOLDING CLUTCH B1
- 5 - HOLDING CLUTCH B3
- 6 - HOLDING CLUTCH B2
- 7 - DRIVING CLUTCH K1
- 8 - FRONT PLANETARY ANNULUS GEAR
- 9 - DRIVING CLUTCH K2
- 10 - CENTER PLANETARY ANNULUS GEAR
- 11 - REAR PLANETARY ANNULUS GEAR
- 12 - DRIVING CLUTCH K3
- 13 - FRONT PLANETARY CARRIER
- A - ENGINE SPEED
- B - TRANSMISSION INPUT SPEED
- C - FIRST GEAR RATIO

- 14 - CENTER PLANETARY CARRIER
- 15 - REAR PLANETARY CARRIER
- 16 - TORQUE CONVERTER STATOR
- 17 - FRONT PLANETARY PINION GEARS
- 18 - CENTER PLANETARY PINION GEARS
- 19 - REAR PLANETARY PINION GEARS
- 20 - FREEWHEELING CLUTCH F1
- 21 - FRONT PLANETARY SUN GEAR
- 22 - CENTER PLANETARY SUN GEAR
- 23 - REAR PLANETARY SUN GEAR
- 24 - FREEWHEELING CLUTCH F2
- 25 - INPUT SHAFT
- 26 - OUTPUT SHAFT
- D - SECOND GEAR RATIO
- E - THIRD GEAR RATIO
- F - FIXED PARTS

Torque from the torque converter is increased via the input shaft (25) and all three planetary gearsets and transferred to the output shaft (26). (Fig. 10) (Fig. 11)

Front Planetary Gear Set

The annulus gear (8) is driven by the input shaft (25). The sun gear (21) is held against the housing by the locked freewheel F1 (20) during acceleration and via the engaged multiple-disc holding clutch B1 (4) during deceleration. The planetary pinion gears (17) turn on the fixed sun gear (21) and increase the torque from the annulus gear (8) to the planetary carrier (13). The planetary carrier (13) moves at a reduced speed in the running direction of the engine.

Rear Planetary Gear Set

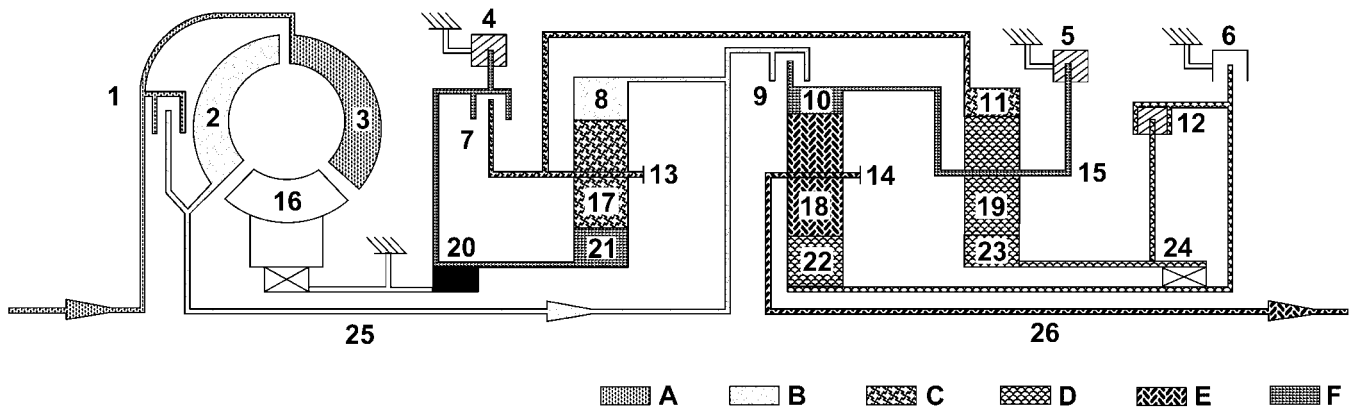
The multiple-disc clutch K2 (9) is engaged and transfers the input speed of the input shaft (25) to the planetary carrier (15) via the annulus gear (10). The annulus gear (11) turns at a reduced speed due to the mechanical connection with the front planetary carrier (13). The planetary pinion gears (19) turn between the annulus gear (11) and the sun gear (23). The sun gear (23) moves at an increased speed in the running direction of the engine.

Center Planetary Gear Set

The annulus gear (10) turns at the input speed as a result of the engaged multiple-disc clutch K2 (9). The multiple-disc clutch K3 (12) transfers an

increased speed to the sun gear (22) due to the connection with the sun gear (23). The planetary pinion gears (18) turn between the annulus gear (10) and the sun gear (22). The speed of the planetary carrier (14) and the output shaft connected to the planetary carrier (5) lies between that of the annulus gear (10) and the sun gear (22). This provides a step-up ratio.

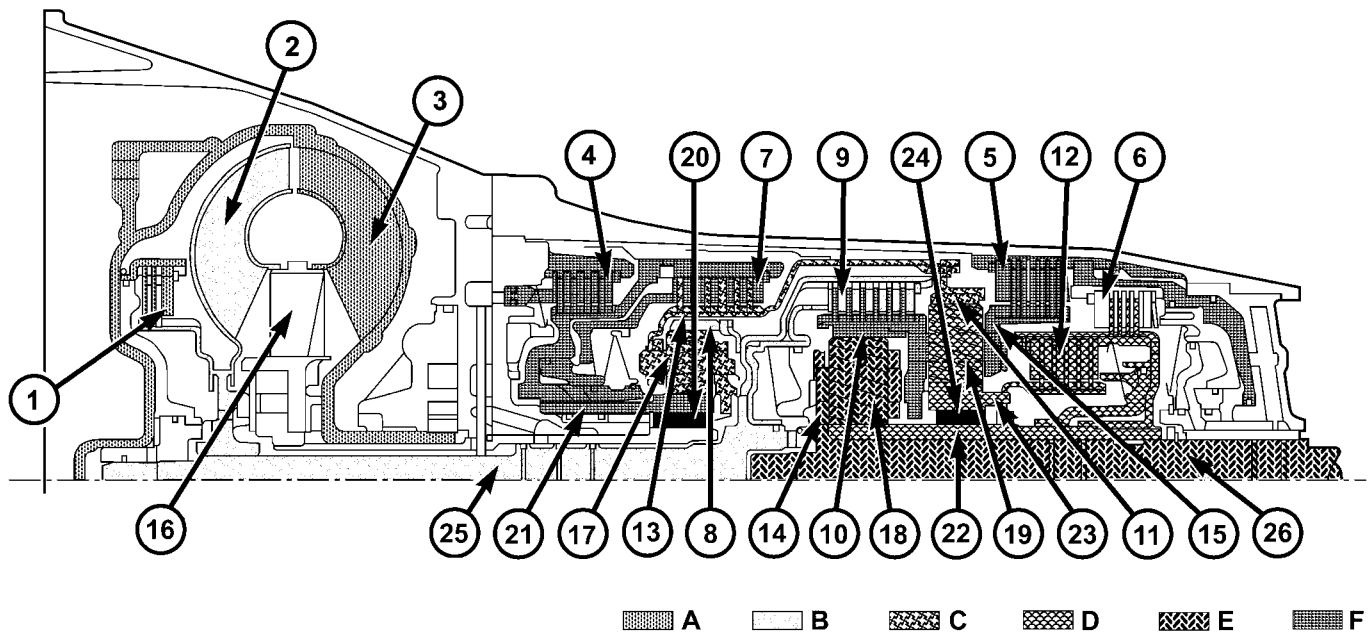
REVERSE GEAR POWERFLOW



80e2acc9

Fig. 12 Reverse Gear Powerflow

- | | |
|--|--|
| <p>1 - TORQUE CONVERTER LOCK-UP CLUTCH
 2 - TORQUE CONVERTER TURBINE
 3 - TORQUE CONVERTER IMPELLER
 4 - HOLDING CLUTCH B1
 5 - HOLDING CLUTCH B3
 6 - HOLDING CLUTCH B2
 7 - DRIVING CLUTCH K1
 8 - FRONT PLANETARY ANNULUS GEAR
 9 - DRIVING CLUTCH K2
 10 - CENTER PLANETARY ANNULUS GEAR
 11 - REAR PLANETARY ANNULUS GEAR
 12 - DRIVING CLUTCH K3
 13 - FRONT PLANETARY CARRIER
 A - ENGINE SPEED
 B - TRANSMISSION INPUT SPEED
 C - FIRST GEAR RATIO</p> | <p>14 - CENTER PLANETARY CARRIER
 15 - REAR PLANETARY CARRIER
 16 - TORQUE CONVERTER STATOR
 17 - FRONT PLANETARY PINION GEARS
 18 - CENTER PLANETARY PINION GEARS
 19 - REAR PLANETARY PINION GEARS
 20 - FREEWHEELING CLUTCH F1
 21 - FRONT PLANETARY SUN GEAR
 22 - CENTER PLANETARY SUN GEAR
 23 - REAR PLANETARY SUN GEAR
 24 - FREEWHEELING CLUTCH F2
 25 - INPUT SHAFT
 26 - OUTPUT SHAFT
 D - SECOND GEAR RATIO
 E - THIRD GEAR RATIO
 F - FIXED PARTS</p> |
|--|--|



80e2acce

Fig. 13 Reverse Gear Powerflow

- | | |
|-------------------------------------|------------------------------------|
| 1 - TORQUE CONVERTER LOCK-UP CLUTCH | 14 - CENTER PLANETARY CARRIER |
| 2 - TORQUE CONVERTER TURBINE | 15 - REAR PLANETARY CARRIER |
| 3 - TORQUE CONVERTER IMPELLER | 16 - TORQUE CONVERTER STATOR |
| 4 - HOLDING CLUTCH B1 | 17 - FRONT PLANETARY PINION GEARS |
| 5 - HOLDING CLUTCH B3 | 18 - CENTER PLANETARY PINION GEARS |
| 6 - HOLDING CLUTCH B2 | 19 - REAR PLANETARY PINION GEARS |
| 7 - DRIVING CLUTCH K1 | 20 - FREEWHEELING CLUTCH F1 |
| 8 - FRONT PLANETARY ANNULUS GEAR | 21 - FRONT PLANETARY SUN GEAR |
| 9 - DRIVING CLUTCH K2 | 22 - CENTER PLANETARY SUN GEAR |
| 10 - CENTER PLANETARY ANNULUS GEAR | 23 - REAR PLANETARY SUN GEAR |
| 11 - REAR PLANETARY ANNULUS GEAR | 24 - FREEWHEELING CLUTCH F2 |
| 12 - DRIVING CLUTCH K3 | 25 - INPUT SHAFT |
| 13 - FRONT PLANETARY CARRIER | 26 - OUTPUT SHAFT |
| A - ENGINE SPEED | |
| B - TRANSMISSION INPUT SPEED | |
| C - FIRST GEAR RATIO | |
| | D - SECOND GEAR RATIO |
| | E - THIRD GEAR RATIO |
| | F - FIXED PARTS |

Torque from the torque converter is increased via the input shaft (25) and all three planetary gearsets and transferred with reversed direction of rotation to the output shaft (26). (Fig. 12) (Fig. 13)

Front Planetary Gear Set

The annulus gear (8) is driven by the input shaft (25). The sun gear (21) is held against the housing by the locked freewheel F1 (20) during acceleration and via the engaged multiple-disc holding clutch B1 (4) during deceleration. The planetary pinion gears (17) turn on the fixed sun gear (21) and increase the torque from the annulus gear (8) to the planetary carrier (13). The planetary carrier (13) moves at a reduced speed in the running direction of the engine.

Rear Planetary Gear Set

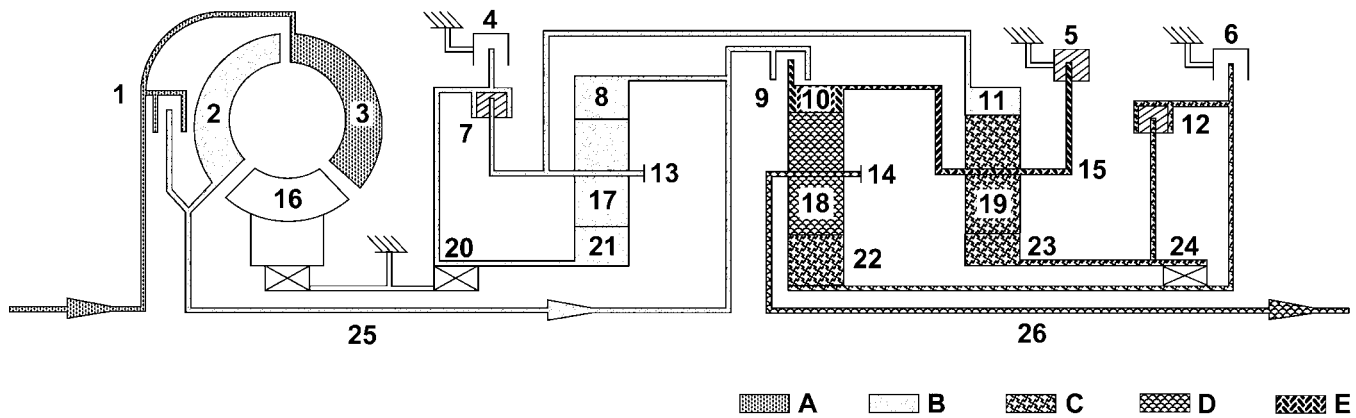
The planetary carrier (15) is held against the housing by the engaged multiple-disc holding clutch B3 (5). The annulus gear (11) turns at a reduced speed due to the mechanical connection to the front planetary carrier (13). The planetary gears (19) turn between the annulus gear (11) and the sun gear (23). The direction is reversed by the held planetary carrier (15) so that the sun gear (23) turns in the opposite direction to the running direction of the engine.

Center Planetary Gear Set

The annulus gear (10) is held against the housing by the multiple-disc holding clutch B3 (5) via the mechanical connection to the planetary carrier (15). The sun gear (22) turns backwards due to the

engaged multiple-disc clutch K3 (12). The planetary gears (18) turn on the fixed annulus gear (10) and increase the torque from the sun gear (22) to the planetary carrier (14). The output shaft (26) connected to the planetary carrier (14) turns at a reduced speed in the opposite direction to the running direction of the engine.

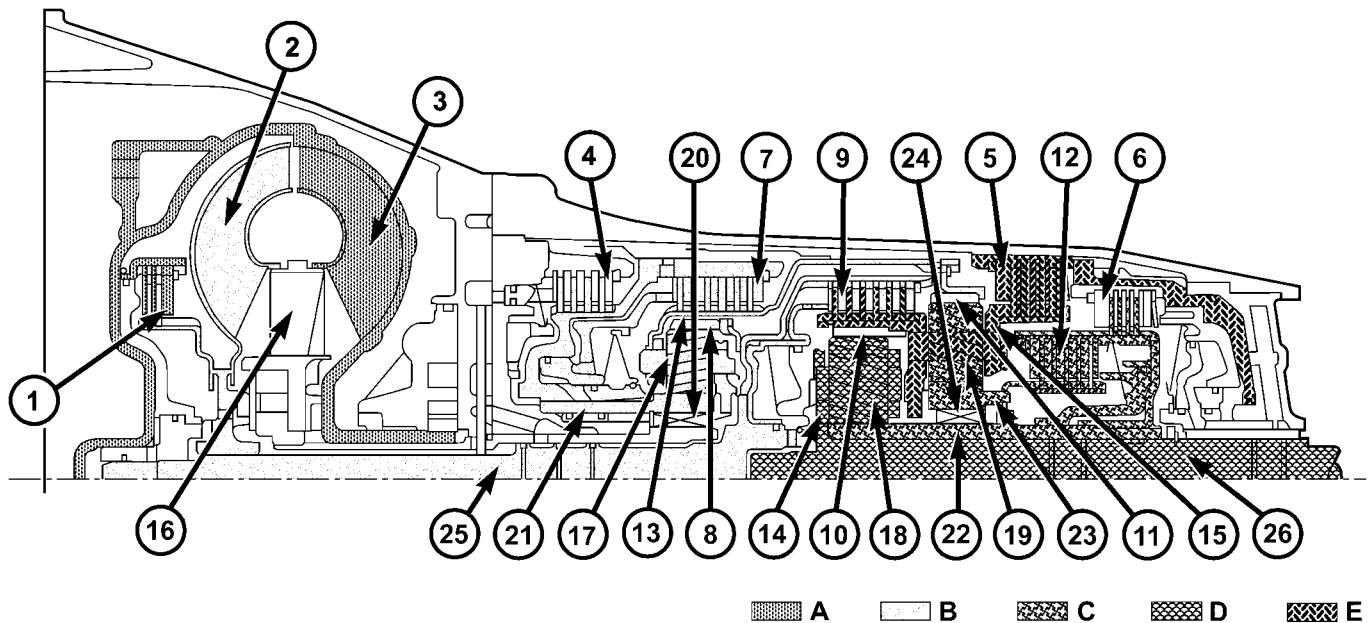
REVERSE GEAR POWERFLOW - LIMP IN



80e2b9d4

Fig. 14 Reverse Gear Powerflow - Limp In or 4WD Low Range

- | | |
|-------------------------------------|------------------------------------|
| 1 - TORQUE CONVERTER LOCK-UP CLUTCH | 14 - CENTER PLANETARY CARRIER |
| 2 - TORQUE CONVERTER TURBINE | 15 - REAR PLANETARY CARRIER |
| 3 - TORQUE CONVERTER IMPELLER | 16 - TORQUE CONVERTER STATOR |
| 4 - HOLDING CLUTCH B1 | 17 - FRONT PLANETARY PINION GEARS |
| 5 - HOLDING CLUTCH B3 | 18 - CENTER PLANETARY PINION GEARS |
| 6 - HOLDING CLUTCH B2 | 19 - REAR PLANETARY PINION GEARS |
| 7 - DRIVING CLUTCH K1 | 20 - FREEWHEELING CLUTCH F1 |
| 8 - FRONT PLANETARY ANNULUS GEAR | 21 - FRONT PLANETARY SUN GEAR |
| 9 - DRIVING CLUTCH K2 | 22 - CENTER PLANETARY SUN GEAR |
| 10 - CENTER PLANETARY ANNULUS GEAR | 23 - REAR PLANETARY SUN GEAR |
| 11 - REAR PLANETARY ANNULUS GEAR | 24 - FREEWHEELING CLUTCH F2 |
| 12 - DRIVING CLUTCH K3 | 25 - INPUT SHAFT |
| 13 - FRONT PLANETARY CARRIER | 26 - OUTPUT SHAFT |
| A - ENGINE SPEED | D - SECOND GEAR RATIO |
| B - TRANSMISSION INPUT SPEED | E - FIXED PARTS |
| C - FIRST GEAR RATIO | |



80e2b9d8

Fig. 15 Reverse Gear Powerflow - Limp In

- 1 - TORQUE CONVERTER LOCK-UP CLUTCH
- 2 - TORQUE CONVERTER TURBINE
- 3 - TORQUE CONVERTER IMPELLER
- 4 - HOLDING CLUTCH B1
- 5 - HOLDING CLUTCH B3
- 6 - HOLDING CLUTCH B2
- 7 - DRIVING CLUTCH K1
- 8 - FRONT PLANETARY ANNULUS GEAR
- 9 - DRIVING CLUTCH K2
- 10 - CENTER PLANETARY ANNULUS GEAR
- 11 - REAR PLANETARY ANNULUS GEAR
- 12 - DRIVING CLUTCH K3
- 13 - FRONT PLANETARY CARRIER
- A - ENGINE SPEED
- B - TRANSMISSION INPUT SPEED
- C - FIRST GEAR RATIO

- 14 - CENTER PLANETARY CARRIER
- 15 - REAR PLANETARY CARRIER
- 16 - TORQUE CONVERTER STATOR
- 17 - FRONT PLANETARY PINION GEARS
- 18 - CENTER PLANETARY PINION GEARS
- 19 - REAR PLANETARY PINION GEARS
- 20 - FREEWHEELING CLUTCH F1
- 21 - FRONT PLANETARY SUN GEAR
- 22 - CENTER PLANETARY SUN GEAR
- 23 - REAR PLANETARY SUN GEAR
- 24 - FREEWHEELING CLUTCH F2
- 25 - INPUT SHAFT
- 26 - OUTPUT SHAFT
- D - SECOND GEAR RATIO
- E - FIXED PARTS

Torque from the torque converter is increased via the input shaft (25) and all three planetary gearsets and transferred with reversed direction of rotation to the output shaft (26) (Fig. 14) and (Fig. 15).

Front Planetary Gear Set

The clutch K1 (7) is shifted. The planetary carrier (13) and sun gear (21) are connected to each other as a result. The annulus gear (8) is driven via the input shaft (25). The planetary gear set is locked and turns as a unit.

Rear Planetary Gear Set

The planetary carrier (15) is held against the housing by the engaged multiple-disc holding clutch B3 (5). The annulus gear (11) turns at a reduced speed due to the mechanical connection to the front planetary carrier (13). The planetary pinion gears (19)

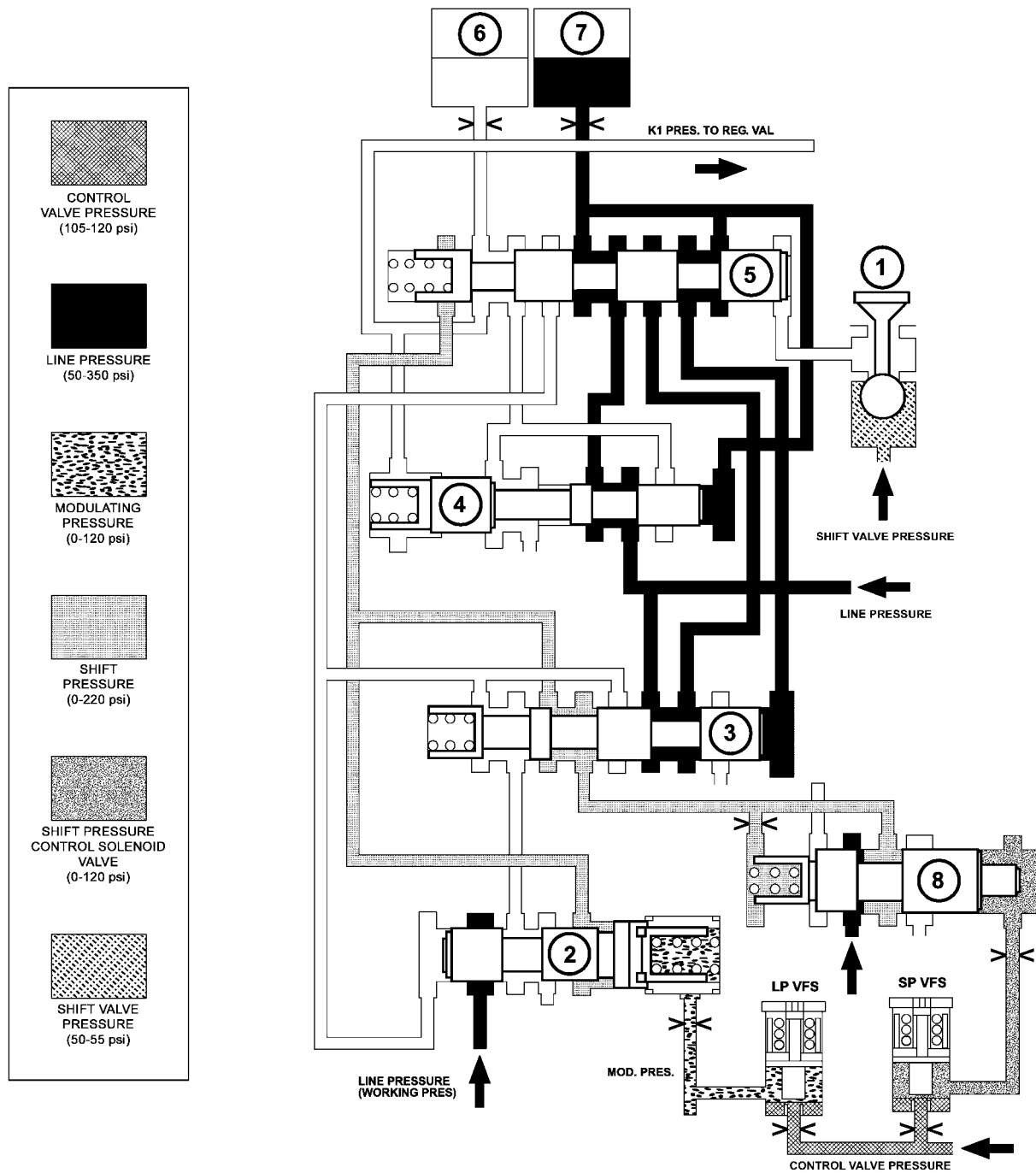
turn between the annulus gear (11) and the sun gear (23). The direction is reversed by the held planetary carrier (15) so that the sun gear (23) turns in the opposite direction to the running direction of the engine.

Center Planetary Gear Set

The annulus gear (10) is held against the housing by the multiple-disc holding clutch B3 (5) via the mechanical connection to the planetary carrier (15). The sun gear (22) turns backwards due to the engaged multiple-disc clutch K3 (12). The planetary gears (18) turn on the fixed annulus gear (10) and increase the torque from the sun gear (22) to the planetary carrier (14). The output shaft (26) connected to the planetary carrier (14) turns at a reduced speed in the opposite direction to the running direction of the engine.

SHIFT GROUPS/ SHIFT SEQUENCE

1-2 Shift - First Gear Engaged



81384239

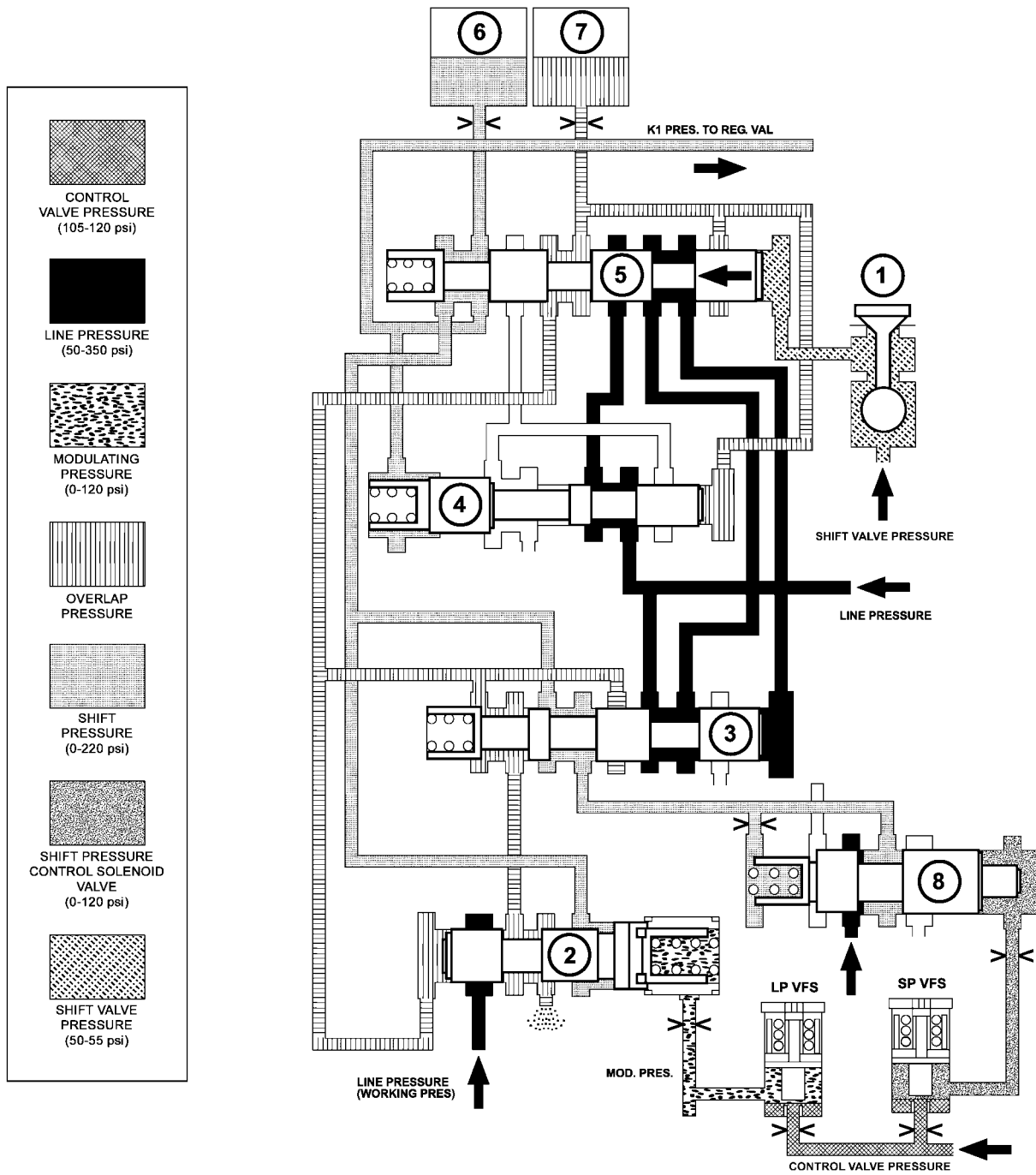
Fig. 16 First Gear Engaged

- 1 - 1-2/4-5 SHIFT SOLENOID
- 2 - 1-2/4-5 OVERLAP VALVE
- 3 - 1-2/4-5 SHIFT PRESSURE SHIFT VALVE
- 4 - 1-2/4-5 HOLDING PRESSURE SHIFT VALVE

- 5 - 1-2/4-5 COMMAND VALVE
- 6 - DRIVING CLUTCH K1
- 7 - HOLDING CLUTCH B1
- 8 - SHIFT PRESSURE REGULATOR VALVE

The end face of the command valve (5) (Fig. 16) is kept unpressurized via the solenoid valve for 1-2 and 4-5 shift (1). Because of the holding pressure shift valve (4), the working pressure (p-A) is present at the multiple-disc holding clutch B1 (7). Clutch K1 (6) is unpressurized.

Shift Phase - 1-2 Shift Phase 1



8138423e

Fig. 17 Shift Phase - 1-2 Shift Phase 1

- 1 - 1-2/4-5 SHIFT SOLENOID
- 2 - 1-2/4-5 OVERLAP VALVE
- 3 - 1-2/4-5 SHIFT PRESSURE SHIFT VALVE
- 4 - 1-2/4-5 HOLDING PRESSURE SHIFT VALVE

- 5 - 1-2/4-5 COMMAND VALVE
- 6 - DRIVING CLUTCH K1
- 7 - HOLDING CLUTCH B1
- 8 - SHIFT PRESSURE REGULATOR VALVE

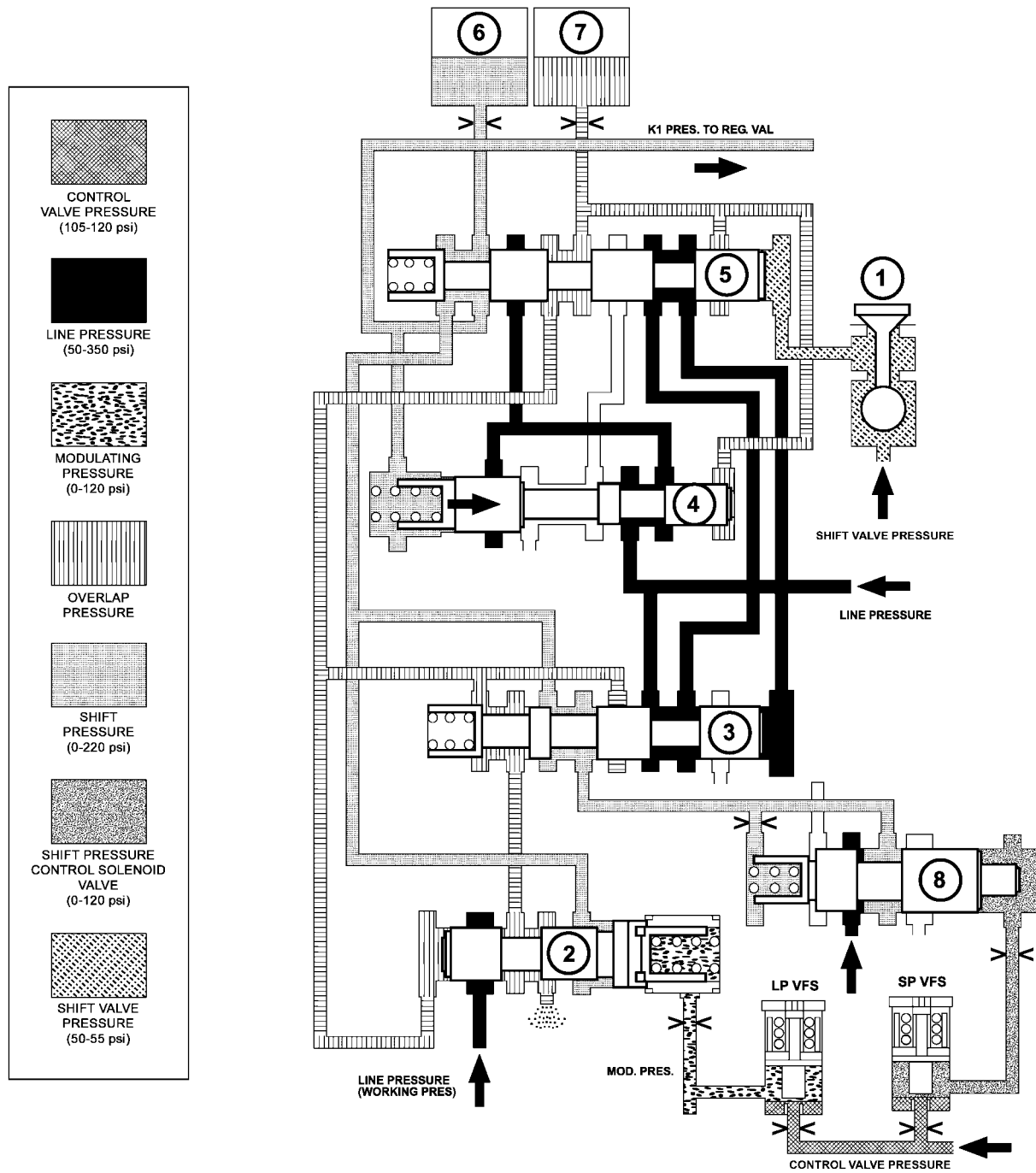
When the 1-2 and 4-5 shift solenoid valve (1) (Fig. 17) is turned on, the shift valve pressure (p-SV) is directed onto the end face of the command valve (5).

The command valve is moved and the shift pressure (p-S) coming from the shift pressure shift valve (3) is

directed via the command valve (5) onto clutch K1 (6).

Simultaneously the clutch B1 (7) is subjected to overlap pressure by the overlap regulating valve (2). The pressure in the clutch B1 (7) as it disengages is controlled during the shift phase depending on engine load by the modulating pressure and the applying clutch pressure (the shift pressure in clutch K1). The controlled pressure in clutch B1 (7) is inversely proportional to the capacity of the clutch being engaged. The rising shift pressure (p-S) at clutch K1 (6) acts on the annular face of the overlap regulating valve (2) and reduces the overlap pressure regulated by the overlap regulating valve (2). When a corresponding pressure level is reached at the holding pressure shift valve (4), this valve switches over.

Shift Phase - 1-2 Shift Phase 2



81384267

Fig. 18 Shift Phase - 1-2 Shift Phase 2

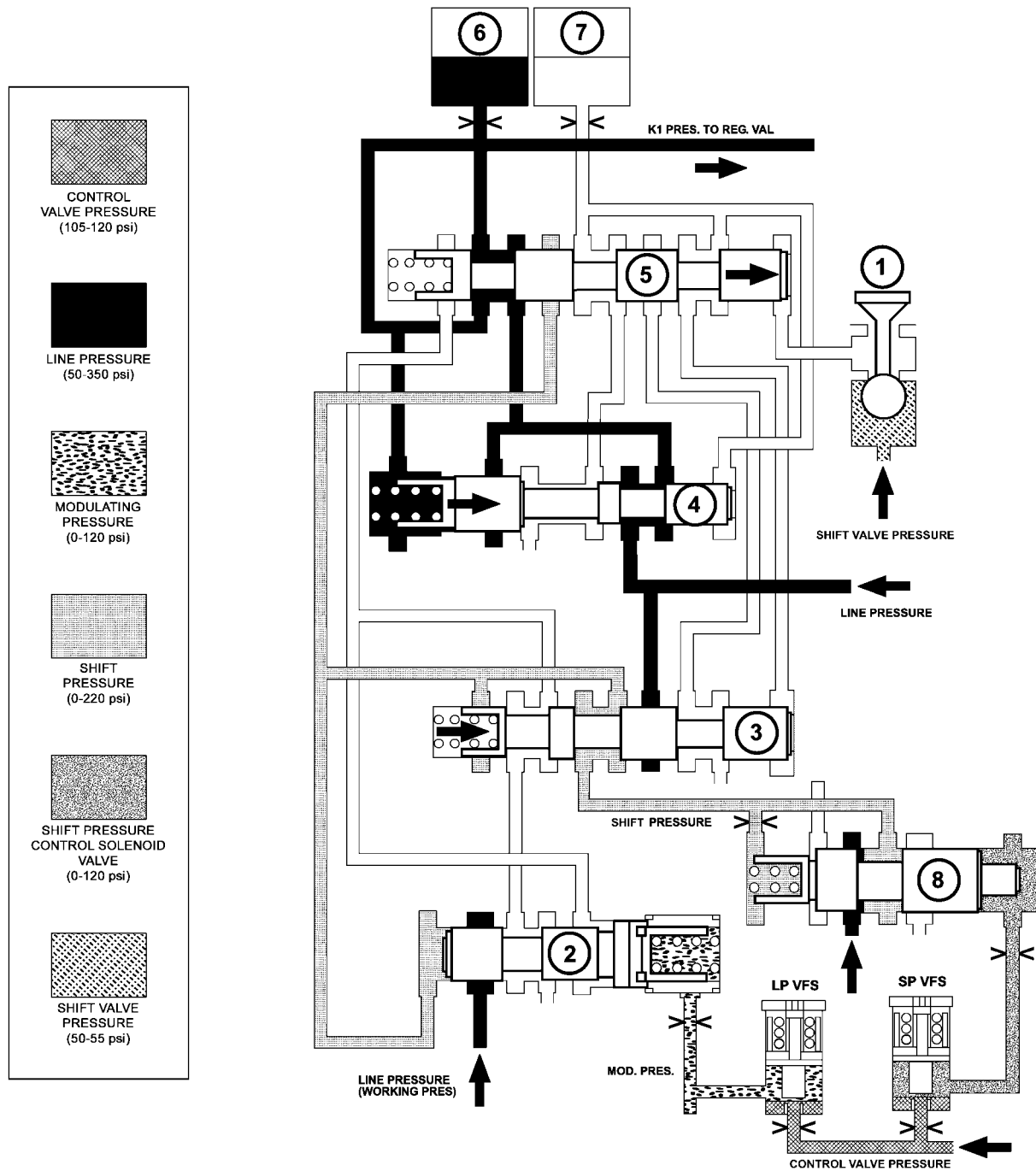
- 1 - 1-2/4-5 SHIFT SOLENOID
- 2 - 1-2/4-5 OVERLAP VALVE
- 3 - 1-2/4-5 SHIFT PRESSURE SHIFT VALVE
- 4 - 1-2/4-5 HOLDING PRESSURE SHIFT VALVE

- 5 - 1-2/4-5 COMMAND VALVE
- 6 - DRIVING CLUTCH K1
- 7 - HOLDING CLUTCH B1
- 8 - SHIFT PRESSURE REGULATOR VALVE

The B1 (7) (Fig. 18) pressure acting on the end face of the shift pressure shift valve (3) is replaced by the working pressure (p-A). The shift pressure is also

routed to the spring end of the holding valve (4) and the holding valve downshifts. The line pressure is then routed to the command valve (5).

Second Gear Engaged



81384651

Fig. 19 Second Gear Engaged

- 1 - 1-2/4-5 SHIFT SOLENOID
- 2 - 1-2/4-5 OVERLAP VALVE
- 3 - 1-2/4-5 SHIFT PRESSURE SHIFT VALVE
- 4 - 1-2/4-5 HOLDING PRESSURE SHIFT VALVE

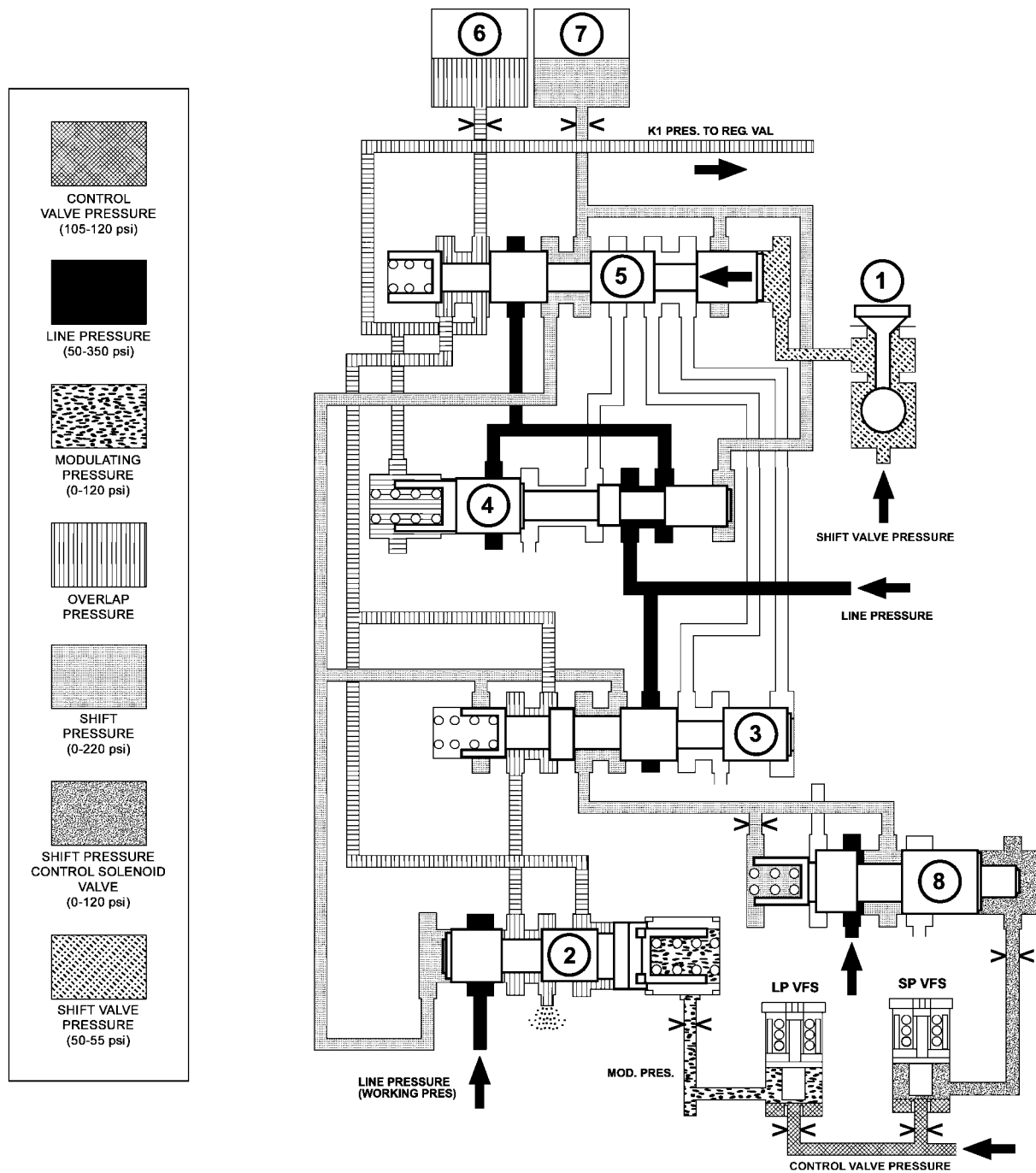
- 5 - 1-2/4-5 COMMAND VALVE
- 6 - DRIVING CLUTCH K1
- 7 - HOLDING CLUTCH B1
- 8 - SHIFT PRESSURE REGULATOR VALVE

After the gearchange is complete, the pressure on the end face of the command valve (5) (Fig. 19) is reduced via the 1-2 and 4-5 shift solenoid valve (1),

and the command valve (5) is pushed back to its basic position. Via the holding pressure shift valve (4) the working pressure (p-A) now passes via the

command valve (5) to clutch K1 (6). The multiple-disc holding clutch B1 (7) is deactivated (unpressurized). The spring of the shift pressure shift valve (3) pushes the valve back to its basic position.

Shift Phase - 2-1 Shift Phase 1



81384380

Fig. 20 Shift Phase - 2-1 Shift Phase 1

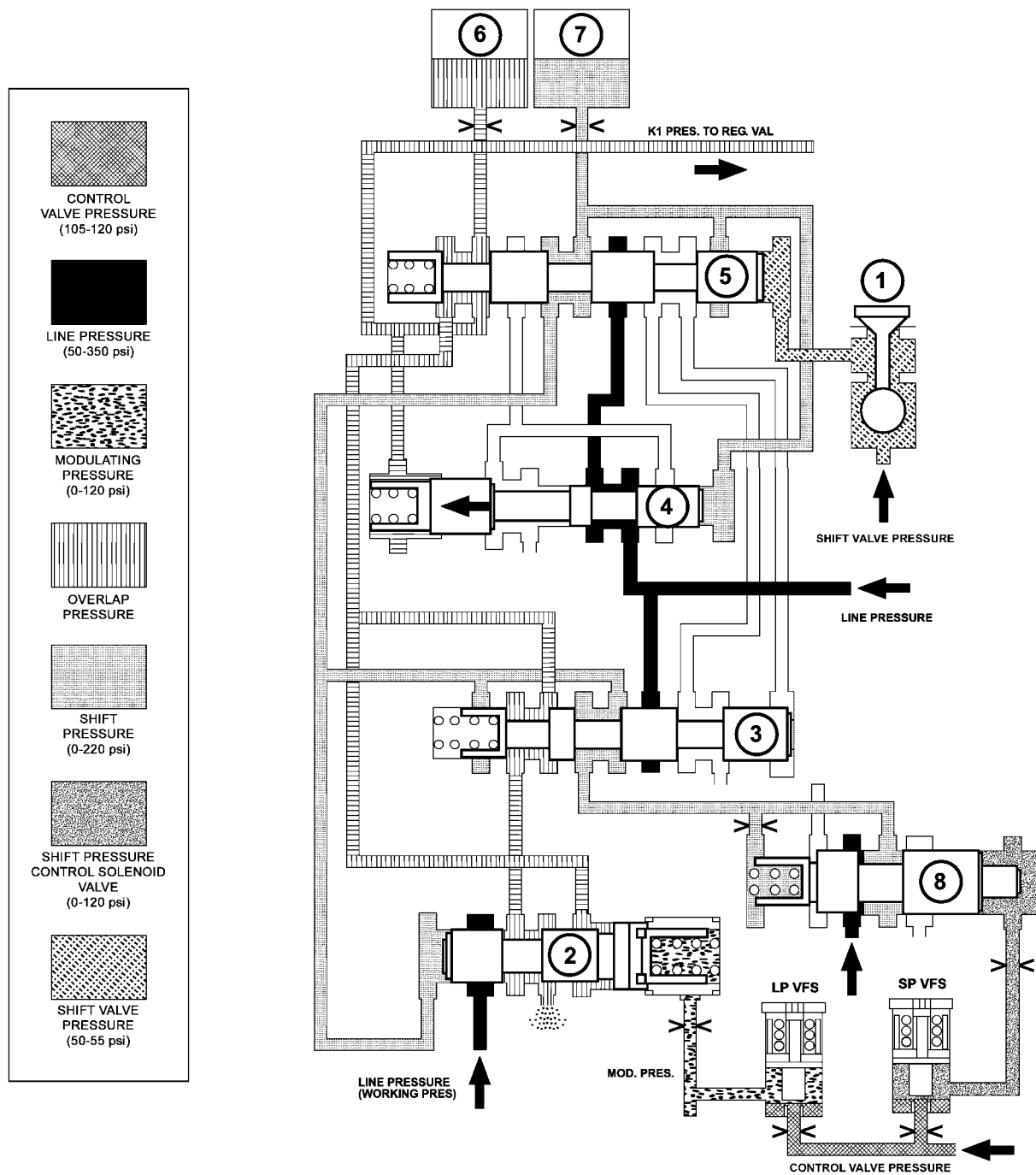
- | | |
|--|------------------------------------|
| 1 - 1-2/4-5 SHIFT SOLENOID | 5 - 1-2/4-5 COMMAND VALVE |
| 2 - 1-2/4-5 OVERLAP VALVE | 6 - DRIVING CLUTCH K1 |
| 3 - 1-2/4-5 SHIFT PRESSURE SHIFT VALVE | 7 - HOLDING CLUTCH B1 |
| 4 - 1-2/4-5 HOLDING PRESSURE SHIFT VALVE | 8 - SHIFT PRESSURE REGULATOR VALVE |

The 1-2/4-5 shift solenoid (1) (Fig. 20) is turned ON to apply shift pressure (p-S) to the end face of the 1-2/4-5 command valve (5). This allows the command

valve to up-shift and the shift pressure coming from the 1-2/4-5 shift valve (3) is routed to the holding clutch B1 (7) via the command

Simultaneously, the pressure in the releasing clutch, K1 (6), is regulated at the 1-2/4-5 overlap valve (2). The pressure in the K1 clutch as it disengages is controlled during the shift phase depending on engine load, via the modulating pressure (p-MOD), and the shift pressure in clutch B1 (7). The increasing shift pressure in clutch B1, which also acts on the end face of the overlap valve, reduces the overlap pressure.

Shift Phase - 2-1 Shift Phase 2



81384389

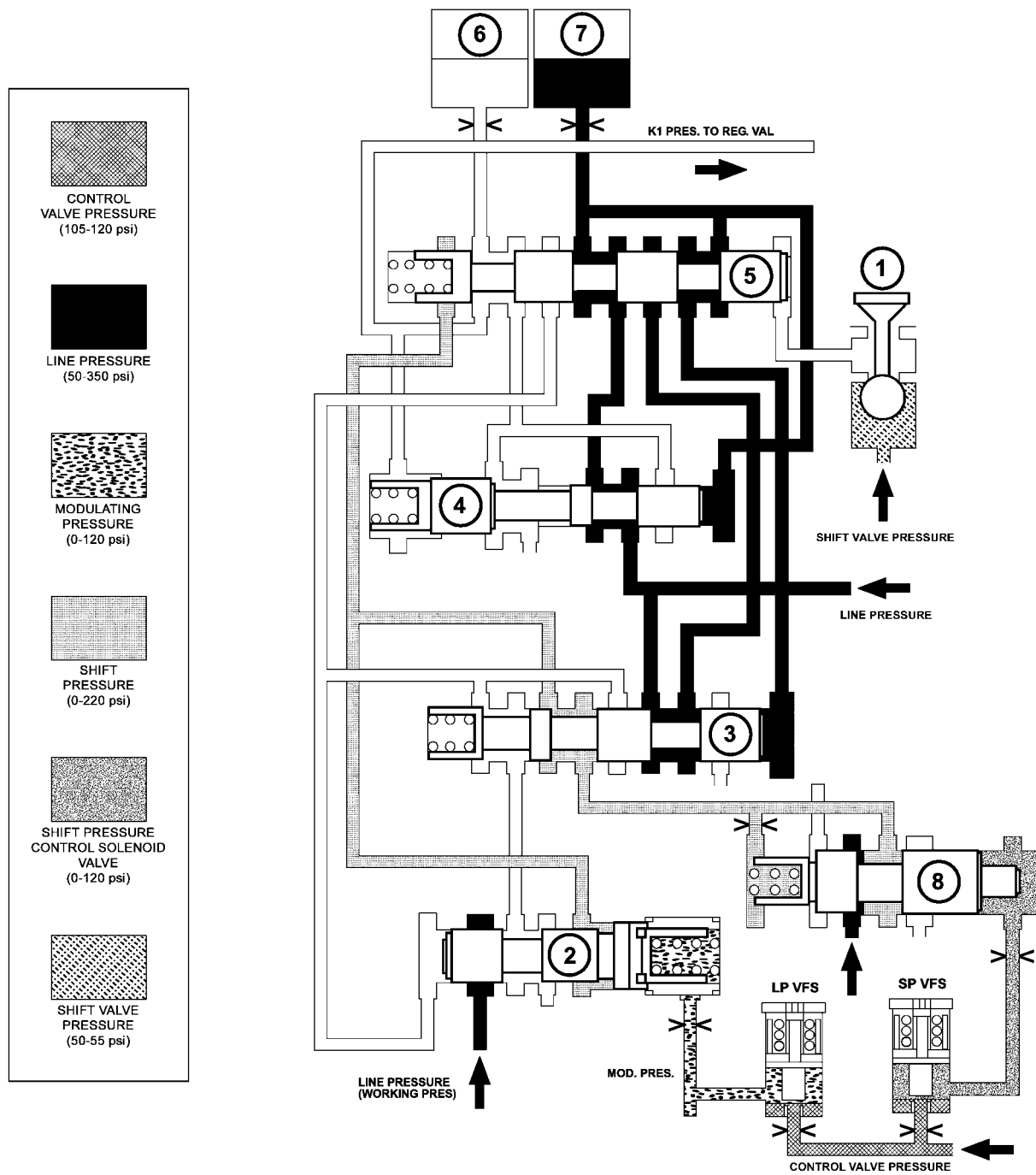
Fig. 21 Shift Phase - 2-1 Shift Phase 2

- | | |
|--|------------------------------------|
| 1 - 1-2/4-5 SHIFT SOLENOID | 5 - 1-2/4-5 COMMAND VALVE |
| 2 - 1-2/4-5 OVERLAP VALVE | 6 - DRIVING CLUTCH K1 |
| 3 - 1-2/4-5 SHIFT PRESSURE SHIFT VALVE | 7 - HOLDING CLUTCH B1 |
| 4 - 1-2/4-5 HOLDING PRESSURE SHIFT VALVE | 8 - SHIFT PRESSURE REGULATOR VALVE |

The pressure in clutch B1 (7) (Fig. 21) acting on the end face of the 1-2/4-5 holding valve (4) forces the valve to up-shift against the spring pressure and

allows line pressure (p-A) to pass through the command valve (5).

2-1 Shift - First Gear Engaged



81384239

Fig. 22 First Gear Engaged

- 1 - 1-2/4-5 SHIFT SOLENOID
- 2 - 1-2/4-5 OVERLAP VALVE
- 3 - 1-2/4-5 SHIFT PRESSURE SHIFT VALVE
- 4 - 1-2/4-5 HOLDING PRESSURE SHIFT VALVE

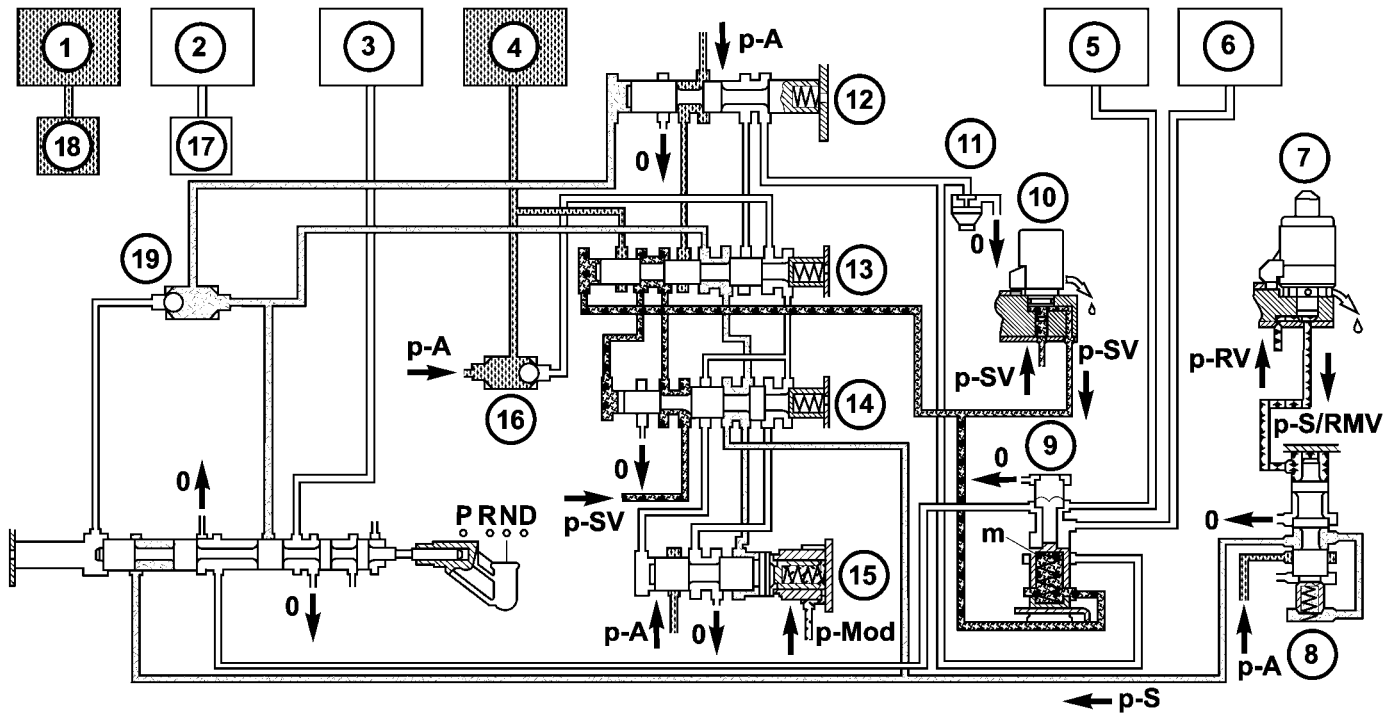
- 5 - 1-2/4-5 COMMAND VALVE
- 6 - DRIVING CLUTCH K1
- 7 - HOLDING CLUTCH B1
- 8 - SHIFT PRESSURE REGULATOR VALVE

After the gear change is complete, the 1-2/4-5 shift solenoid (1) (Fig. 22) is turned off. This reduces the pressure on the end face of the 1-2/4-5 command

valve (5) to 0 psi and the spring pressure downshifts the valve to its initial position. The line pressure (p-A) is switched to the holding clutch B1 (7) and the

end face of the holding valve by the downshifted command valve. The upshifted holding valve also allows the remaining pressure in clutch K1 (6) to be vented.

Gear Shift N to D (1st gear) - Engine Started



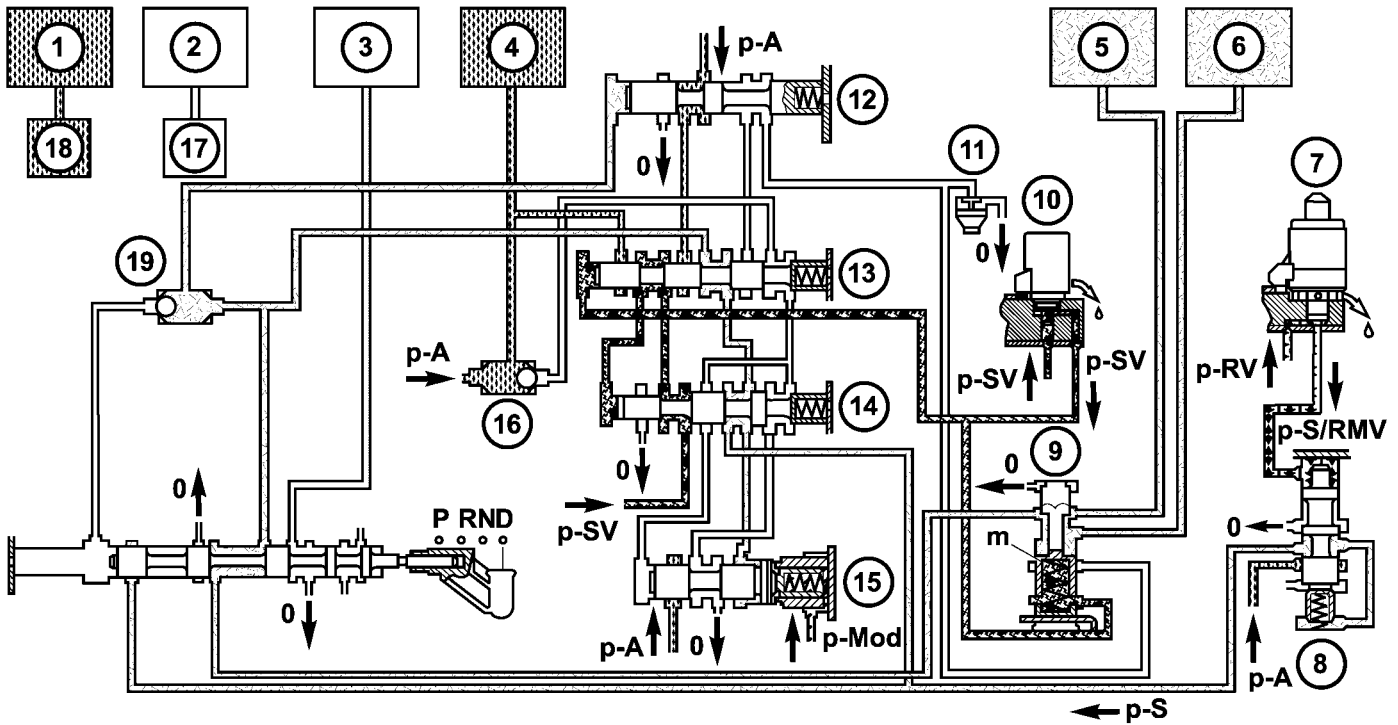
80e372fa

Fig. 23 Engine Started

- | | |
|--|--|
| <ul style="list-style-type: none"> 1 - HOLDING CLUTCH B1 2 - DRIVING CLUTCH K1 3 - HOLDING CLUTCH B3 4 - DRIVING CLUTCH K3 5 - HOLDING CLUTCH B2 PISTON 6 - HOLDING CLUTCH B2 PISTON OPPOSING FACE 7 - SHIFT PRESSURE REGULATING SOLENOID 8 - SHIFT PRESSURE REGULATING VALVE 9 - SHIFT VALVE B2 10 - 3-4 SHIFT SOLENOID | <ul style="list-style-type: none"> 11 - PRESSURE HOLDING VALVE 12 - 3-4 HOLDING PRESSURE SHIFT VALVE 13 - 3-4 COMMAND VALVE 14 - 3-4 SHIFT PRESSURE SHIFT VALVE 15 - 3-4 OVERLAP REGULATING VALVE 16 - BALL VALVE 17 - 1-2/4-5 COMMAND VALVE 18 - 1-2/4-5 COMMAND VALVE 19 - BALL VALVE |
|--|--|

With the engine started (Fig. 23) and the gearshift lever in the NEUTRAL or PARK positions, holding clutch B1 (1) and driving clutch K3 (4) are applied and the various valves in the 1-2/4-5 shift group are positioned to apply pressure to the holding clutch B2.

Activation Sequence



80e37332

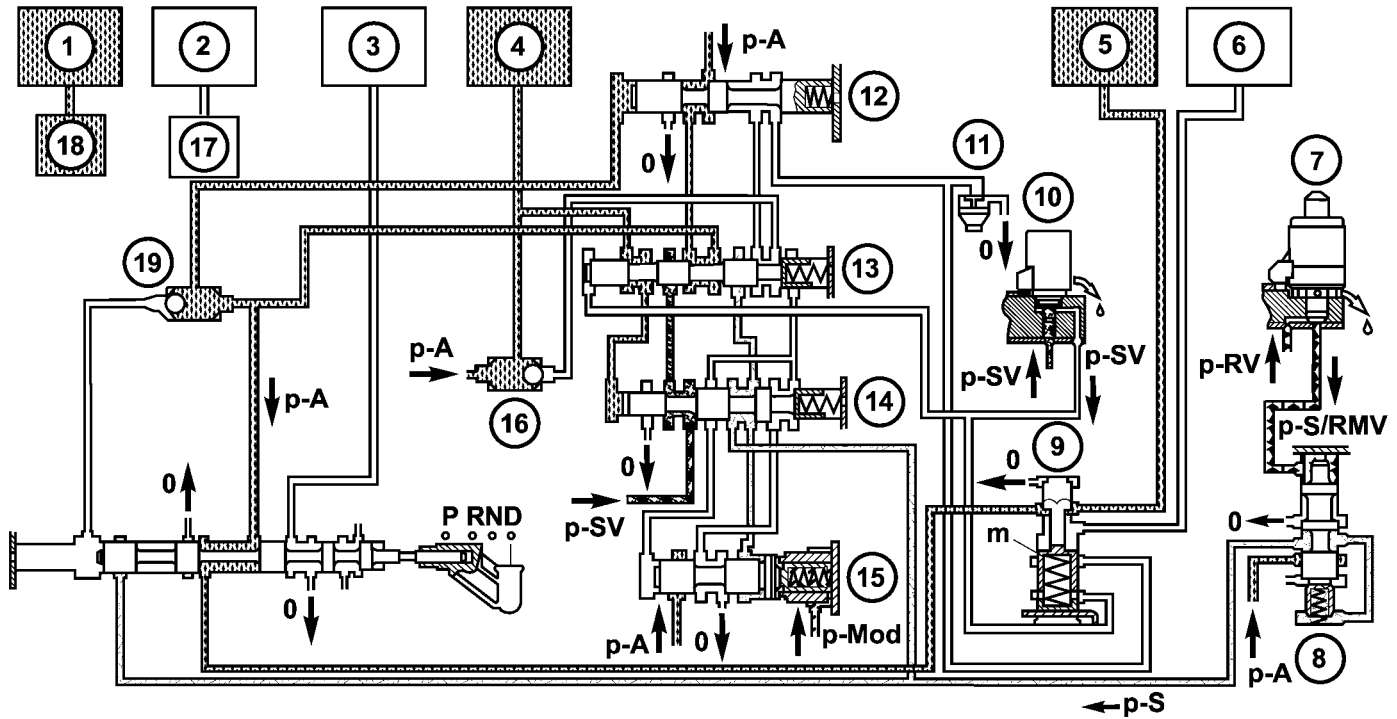
Fig. 24 Activation Sequence

- | | |
|--|---------------------------------------|
| 1 - HOLDING CLUTCH B1 | 11 - PRESSURE HOLDING VALVE |
| 2 - DRIVING CLUTCH K1 | 12 - 3-4 HOLDING PRESSURE SHIFT VALVE |
| 3 - HOLDING CLUTCH B3 | 13 - 3-4 COMMAND VALVE |
| 4 - DRIVING CLUTCH K3 | 14 - 3-4 SHIFT PRESSURE SHIFT VALVE |
| 5 - HOLDING CLUTCH B2 PISTON | 15 - 3-4 OVERLAP REGULATING VALVE |
| 6 - HOLDING CLUTCH B2 PISTON OPPOSING FACE | 16 - BALL VALVE |
| 7 - SHIFT PRESSURE REGULATING SOLENOID | 17 - 1-2/4-5 COMMAND VALVE |
| 8 - SHIFT PRESSURE REGULATING VALVE | 18 - 1-2/4-5 COMMAND VALVE |
| 9 - SHIFT VALVE B2 | 19 - BALL VALVE |
| 10 - 3-4 SHIFT SOLENOID | |

The selector valve (Fig. 24) opens the shift pressure (p-S) feed connection from the ball valve (19) with the shift valve B2 (9). With the shift valve B2 (9) in the upper position, shift pressure (p-S) travels behind the piston B2 (5) and simultaneously to the opposing face of the piston B2 (6). The multiple-disc holding clutch B2 begins to close.

The pressure on the opposing face of the piston B2 (6) ensures a soft activation of the multiple-disc holding clutch B2.

First Gear Engaged



80e3734f

Fig. 25 First Gear Engaged

- | | |
|--|--|
| <ul style="list-style-type: none"> 1 - HOLDING CLUTCH B1 2 - DRIVING CLUTCH K1 3 - HOLDING CLUTCH B3 4 - DRIVING CLUTCH K3 5 - HOLDING CLUTCH B2 PISTON 6 - HOLDING CLUTCH B2 PISTON OPPOSING FACE 7 - SHIFT PRESSURE REGULATING SOLENOID 8 - SHIFT PRESSURE REGULATING VALVE 9 - SHIFT VALVE B2 10 - 3-4 SHIFT SOLENOID | <ul style="list-style-type: none"> 11 - PRESSURE HOLDING VALVE 12 - 3-4 HOLDING PRESSURE SHIFT VALVE 13 - 3-4 COMMAND VALVE 14 - 3-4 SHIFT PRESSURE SHIFT VALVE 15 - 3-4 OVERLAP REGULATING VALVE 16 - BALL VALVE 17 - 1-2/4-5 COMMAND VALVE 18 - 1-2/4-5 COMMAND VALVE 19 - BALL VALVE |
|--|--|

The TCM monitors the activation sequence via the speed of the input shaft, which slows down as the frictional connection in the multiple-disc holding clutch increases. When the speed drops to the specified level, the TCM shuts off the power to the 3-4 shift solenoid valve (10) (Fig. 25). The spring chamber of the shift valve B2 (9) is depressurized and switches downwards. This connects the line to the opposing face of the piston B2 (6) with the pressure holding valve (11). The pressure on the opposing face of the piston B2 (6) drops to a residual pressure.

The working pressure (p-A) is formed and travels via the 2-3 holding pressure shift valve, the 2-3 command valve and the ball valve (16) to multi-plate clutch K3 (4) and via the 3-4 command valve (13) to the end face of the 3-4 shift pressure shift valve (14). The 3-4 shift pressure shift valve (14) is moved against the force of the spring towards the right. At

the same time the 3-4 solenoid valve (10) is energized. This allows shift valve pressure (p-SV) to enter the spring chamber of the shift valve B2 (9) and to reach the end face of the 3-4 command valve (13). The shift valve B2 (9) is held in the upper position and the 3-4 command valve (13) switches towards the right. At the end face of the 3-4 shift pressure shift valve (14) the working pressure (p-A) is replaced by shift valve pressure (p-SV).

The 3-4 command valve (13) moves to the left. Working pressure (p-A) travels via the holding pressure shift valve (12) and the 3-4 command valve (13) to the piston of multiple-disc holding clutch B2 (5).

DIAGNOSIS AND TESTING

AUTOMATIC TRANSMISSION

CAUTION: Before attempting any repair on a NAG1 automatic transmission, check for Diagnostic Trouble Codes with the appropriate scan tool.

Transmission malfunctions may be caused by these general conditions:

- Poor engine performance.
- Improper adjustments.
- Hydraulic malfunctions.
- Mechanical malfunctions.
- Electronic malfunctions.
- Transfer case performance (if equipped).

Diagnosis of these problems should always begin by checking the easily accessible variables: fluid level and condition, gearshift cable adjustment. Then perform a road test to determine if the problem has been corrected or if more diagnosis is necessary.

PRELIMINARY

Two basic procedures are required. One procedure for vehicles that are drivable and an alternate procedure for disabled vehicles (will not back up or move forward).

VEHICLE IS DRIVABLE

- (1) Check for transmission fault codes using the appropriate scan tool.
- (2) Check fluid level and condition.
- (3) Adjust gearshift cable if complaint was based on delayed, erratic, or harsh shifts.
- (4) Road test and note how transmission upshifts, downshifts, and engages.

VEHICLE IS DISABLED

- (1) Check fluid level and condition.

(2) Check for broken or disconnected gearshift cable.

(3) Check for cracked, leaking cooler lines, or loose or missing pressure-port plugs.

(4) Raise and support vehicle on safety stands, start engine, shift transmission into gear, and note following:

(a) If propeller shaft turns but wheels do not, problem is with differential or axle shafts.

(b) If propeller shaft does not turn and transmission is noisy, stop engine. Remove oil pan, and check for debris. If pan is clear, remove transmission and check for damaged driveplate, converter, oil pump, or input shaft.

(c) If propeller shaft does not turn and transmission is not noisy, perform hydraulic-pressure test to determine if problem is hydraulic or mechanical.

ROAD TESTING

Before road testing, be sure the fluid level and control cable adjustments have been checked and adjusted if necessary. Verify that all diagnostic trouble codes have been resolved.

Observe engine performance during the road test. A poorly tuned engine will not allow accurate analysis of transmission operation.

Operate the transmission in all gear ranges. Check for shift variations and engine flare which indicates slippage. Note if shifts are harsh, spongy, delayed, early, or if part throttle downshifts are sensitive.

Slippage indicated by engine flare, usually means clutch, overrunning clutch, or line pressure problems.

A slipping clutch can often be determined by comparing which internal units are applied in the various gear ranges. The Clutch Application chart CLUTCH APPLICATION provides a basis for analyzing road test results.

CLUTCH APPLICATION

GEAR	RATIO	B1	B2	B3	K1	K2	K3	F1	F2
1	3.59	X*	X				X*	X	X
2	2.19		X		X		X*		X
3	1.41		X		X	X			
4	1.00				X	X	X		
5	0.83	X				X	X	X*	
N	N/A	X					X		
R	3.16	X*		X			X	X	
R - Limp In	1.93			X	X		X		

* = The shift components required during coast.

AUTOMATIC TRANSMISSION

CONDITION	POSSIBLE CAUSES	CORRECTION
MAXIMUM SPEED 30 km/h	1. Speed Control 30 Actuated.	1. Instruct Customer.
ENGINE DIES WHEN TRANSMISSION IS SHIFTED INTO GEAR, ALSO NOISES IN N AND/OR P	1. PWM Valve Blocked.	1. Replace Valve.
	2. Torque Converter Lock Up Control Valve Locked.	2. Enable Movement of Valve, Remove Particle.
LEVER IN "P" POSITION BLOCKED (BRAKE ACTIVATED)	1. No Vacuum Brake Booster After Long Immobilization, Brake Pedal Not Fully Applied/Hard Pedal.	1. Check Vacuum/ Tightness of Brake Booster.
	2. No Stoplamp Switch Signal (no DTC IN ECM).	2. Check Contact to Stoplamp Switch. Replace Switch if Necessary.
GRUMBLING, DRONING, JERKING WHEN TCC IS ENGAGED	1. Slip Speed TCC to Low.	1. Switch Off Torque Converter Lock Up Using DRB®. If Complaint Is Not Reproduced Afterwards, Replace PWM Valve, Set Adaption Values to Zero.
HOWLING, HUMMING ABOVE 4000 RPM IN EACH GEAR	1. Oil Filter Blocked.	1. Replace Oil Filter.
	2. Oil Pump.	2. Replace Oil Pump.
WHINING, SINGING	1. Gear Set Noises in 1st, 2nd, 5th Gear.	1. Replace Transmission..
	2. Intermediate Bearing Of The Drive Shaft At 0 km/h, Only When Cold.	2. Replace Intermediate Bearing of the Drive Shaft.
"CLACK" NOISE FROM CENTER SHIFT AREA WHEN STOPPING OR STARTING	1. Park Lock Solenoid.	1. Replace Shift Lever Assembly.
CRACKING NOISE WHEN LOAD CYCLE	1. Stick - Slip Between Joint Flange and Collar Nut.	1. Install Zinc Coated Collar Nut Together With Washer.
CHATTERING IN CENTER CONSOLE SHIFT WHILE ACCELERATING	1. Bushing Shift Shaft Has Too Much Clearance.	1. Replace Shifter Lever and Cover Plate.
HARD 2-3 UPSHIFT WHEN STEPPING OFF THE ACCELERATOR PEDAL	1. Response Characteristic Control Loop.	1. Install K2 Disc Spring.
UPSHIFT 2-3, 3-4 SLIPPING	1. Spring of Regulating Valve Pressure control Valve Broken.	1. Replace Spring.
HARD 2-1 DOWNSHIFT WHEN COMING TO A STOP	1. Transmission (2-1 downshift) Not Adapted.	1. Re-adapt Transmission.
	2. TCM Software Data.	2. Flash TCM.
	3. Free Wheeling Clutch F1 Defective.	Replace Free Wheeling Clutch F1.

CONDITION	POSSIBLE CAUSES	CORRECTION
HARD 3-2 DOWNSHIFT WHEN DECELERATION EVEN AFTER READAPTION	1. K3 Idles.	1. Install TCM And/Or Electrohydraulic Control Unit.
NO RESP. DELAYED UPSHIFT, NO DTC	1. Different Tire Sizes Are Mounted On The Front Axle.	1. Mount Uniform Tire Sizes On The Front Axle.
NO UPSHIFT 3-4, 4-5 AFTER FAST OFF (ACCELERATOR)	1. Upshift Prevention To Realize Dynamical Drivestyle.	1. Instruct Customer.
NO UPSHIFT OF 1ST GEAR BELOW 5000 RPM	1. Gear Recognition Switch.	1. Replace Gear Recognition Switch.
NO UPSHIFT INTO 5TH GEAR WHEN FULL THROTTLE OR KICK DOWN ACTIVATION	1. The Upshift 4-5 At Full Throttle or Kick Down Never Occurs Until Reaching Cut Off Speed. Under These Conditions, The High Powered Vehicle Will Never Shift Into 5th Gear Below 250 km/h.	1. Instruct Customer.
NO KICK DOWN SHIFTING	1. Accelerator Pedal Value < 95%.	1. Check Engine Control. Adjust As Necessary.
Engine Turns Up While 2-3 Upshift and/or Hard 3-2 Downshift	1. Oil Level Too Low.	1. Check Oil Level. Add if Necessary.
	2. Oil Filter Not Installed.	2. Install Oil Filter.
	3. Free Wheeling Clutch F2 Defective.	3. Replace Free Wheeling Clutch F2, Hollow Shaft, and Rear Sun Gear/Inner Disc Carrier K3.
GRABBING 2-3 COASTING UPSHIFT AND/OR BRAKE DOWNSHIFT	1. Oil Level Too Low.	1. Check Oil Level. Add if Necessary.
	2. Oil Filter Not Installed.	2. Install Oil Filter.
	3. Control shift or Command Valve Blocked.	3. Check Each Slide Valve For Base Position and Ease Of Movement, Remove Particle.
	4. K3 Disc Burnt, Hot Spots or Rubbed Down.	4. Replace Inner and Outer Disc Carrier K3 And Control Valve.
DELAYED ENGAGEMENT, NO TRANSFER OF POWER IN R AND/OR D, ALSO AT TIMES	1. Oil Level Too Low.	1. Check Oil Level. Add if Necessary.
	2. Recognition Switch - Selector Lever Position.	2. Replace Recognition Switch Only When Intermediate Position or Fault is Indicated.
	3. Oil Filter Not Installed.	3. Install Oil Filter.
	4. AEV, Delayed Pressure Build Up On Piston B2/B3.	4. Install New Shifting Procedure (TCM, electrohydraulic control unit or repair set).
	5. Wrong Combination TCM/Electrohydraulic Control Unit.	5. Check Combination TCM/ Electrohydraulic Control Unit. Replace TCM Resp. Electrohydraulic Control Unit, if necessary.

CONDITION	POSSIBLE CAUSES	CORRECTION
NO UPSHIFT OF 1ST GEAR AT TIMES	1. Connector Ballast Unit. Output Speed Sensor Loose, Incorrectly Contacted.	1. Check Connectors, Replace Output Speed sensor If Necessary.
	2. Output Speed Sensor Defective	2. Replace Output Speed Sensor.
LEAKAGE AT THE AREA OF THE ELECTRICAL PLUG TO THE CONDUCTOR PLATE	1. Deformation O-Rings.	1. Replace O-Rings.
	2. Deformation Adapter.	2. Replace Adaptor.
	3. The Conductor Plate Is Not Fitted Surface To Surface On The Valve Body In One Corner, The Plug Is Not Centered In The Socket And The O-ring Will Not Seal.	3. Remove Nose Of Conductor Plate.
	4. Contacting At The Conductor Plate Leaky. Oil In Harness, Sometimes In The Control Module.	4. Replace Conductor Plate.
LEAKAGE AT THE AREA OF BELL HOUSING/ TORQUE CONVERTER	1. Bolts (Torx M6) Outer Disc Carrier B1.	1. Clean Thread and Install the Bolts Using Sealer.
OIL LEAKS	1. 6 Lower Bolts (TorxM8) Converter Housing.	1. Clean Thread and Install the Bolts Using Sealer.
	2. Oil Drain Plug Converter Loose Resp. No Seal Ring Installed.	2. Install Drain Plug Correctly.
	3. Weld Seam Of Torque Converter Leaky.	3. Replace Torque Converter.
	4. Radial Sealing Ring Oil Pump Defective.	4. Replace Sealing Ring.
	5. O-Ring Oil Pump Defective Or Not Installed.	5. Install O-Ring.
	6. Bushing Of Oil Pump Loose, caused By Missing Fit Bolt At Transmission/Engine Flange.	6. Install Fit Bolt If Necessary.

STANDARD PROCEDURE - ALUMINUM THREAD REPAIR

Damaged or worn threads in the aluminum transmission case and valve body can be repaired by the use of Heli-Coils™, or equivalent. This repair consists of drilling out the worn-out damaged threads. Then tap the hole with a special Heli-Coil™ tap, or equivalent, and installing a Heli-Coil™ insert, or equivalent, into the hole. This brings the hole back to its original thread size.

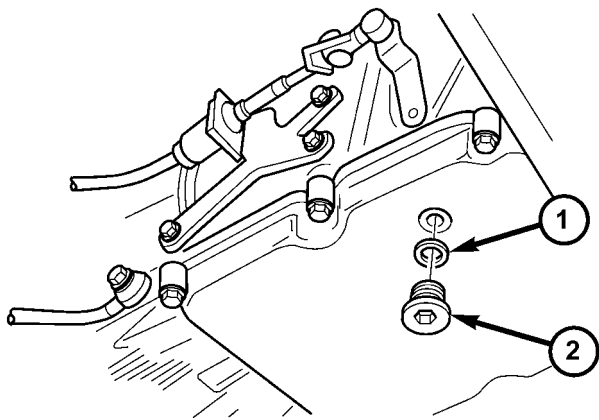
Heli-Coil™, or equivalent, tools and inserts are readily available from most automotive parts suppliers.

REMOVAL

- (1) Disconnect the negative (ground) battery cable.

CAUTION: Isolate ground lead to prevent accidental contact.

- (2) Apply parking brake.
- (3) Move gear selector lever to position "N".
- (4) Remove oil drain plug (2) (Fig. 26) and drain automatic transmission oil into a clean container.

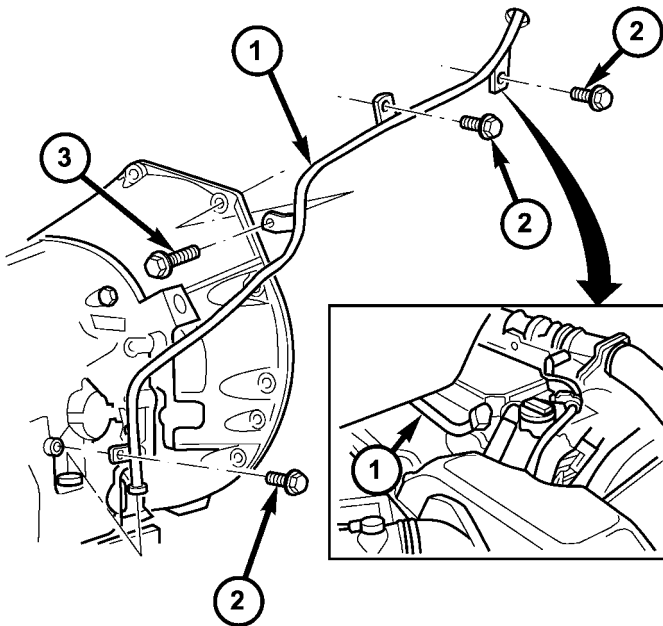


810b787d

Fig. 26 Drain Transmission

- 1 - SEAL
- 2 - DRAIN PLUG

- (5) Remove oil filler pipe.
 - (a) Remove bolts (2) (Fig. 27) to cylinder head.
 - (b) Remove bolt (3) (Fig. 27) to transmission flange and bolt (2) to transmission housing.
 - (c) Pull lower connection of oil filler pipe (1) (Fig. 27) out of the fill hole in the side of the transmission housing.
 - (d) Guide oil filler pipe (1) (Fig. 27) up and out.

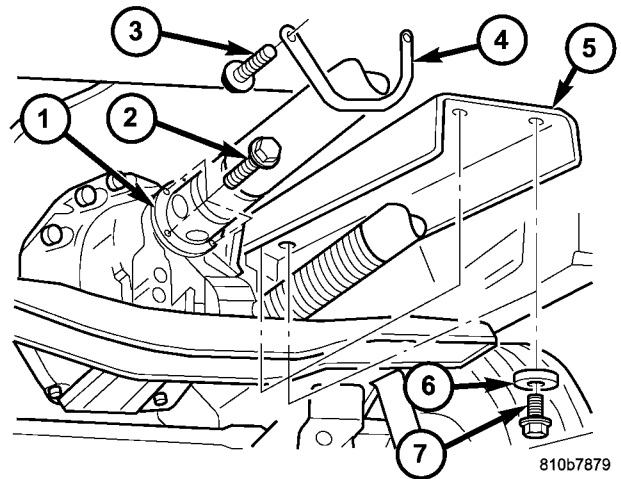


810b77c5

Fig. 27 Fill Tube

- 1 - FILL TUBE
- 2 - BOLTS TO CYLINDER HEAD AND TRANSMISSION HOUSING
- 3 - BOLT TO TRANSMISSION FLANGE

- (8) Detach propeller shaft (1) (Fig. 28) at transmission (Refer to 3 - DIFFERENTIAL & DRIVELINE/ PROPELLER SHAFT/PROPELLER SHAFT - REMOVAL). Move propeller shaft to the right and tie up.



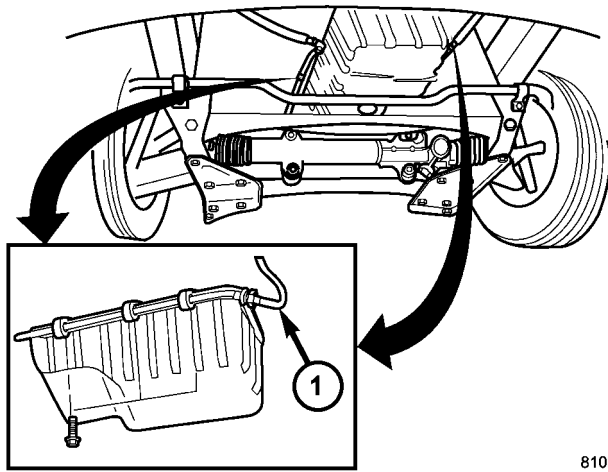
810b7879

Fig. 28 Propeller Shaft and Heat Shield

- 1 - PROPELLER SHAFT
- 2 - BOLT
- 3 - BOLT
- 4 - RETAINING BRACKET
- 5 - HEAT SHIELD
- 6 - WASHER
- 7 - BOLT

- (9) Remove the cooler lines at transmission.
 - (a) Remove bracket for the oil cooler feed and return lines (1) (Fig. 29) from engine oil pan flange. Detail shows right side of motor. Position is mirrored for the left side of engine.
 - (b) Detach bracket of cable retainer (4) (Fig. 30) from the threaded shank of a engine oil pan bolt (5).
 - (c) Press cable retainer (4) (Fig. 30) down and out.
 - (d) Remove the bolts holding the oil cooler lines (6) (Fig. 31) to the left and right sides of transmission and hang the lines to the side.

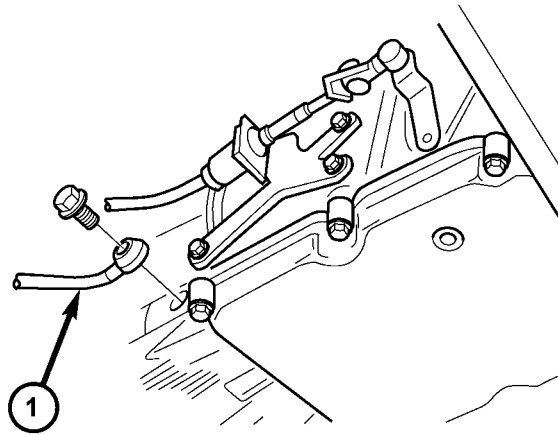
- (6) Remove exhaust heat shield (5) (Fig. 28).
- (7) Remove retaining bracket (4) (Fig. 28).



810b786d

Fig. 29 Cooler Line Supports

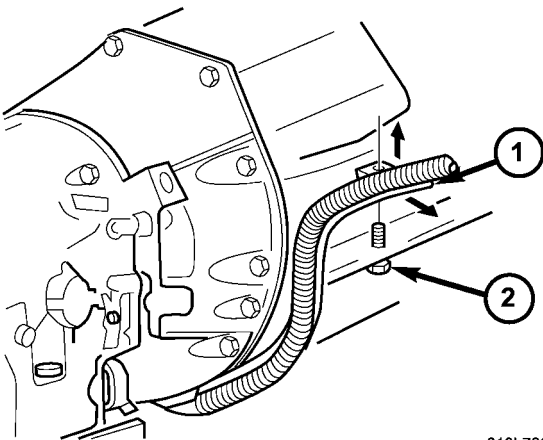
1 - COOLER LINES



810b7874

Fig. 31 Driver's Side Cooler Line

1 - COOLER LINE



810b7866

Fig. 30 Cable Support

1 - CABLE
2 - BOLT

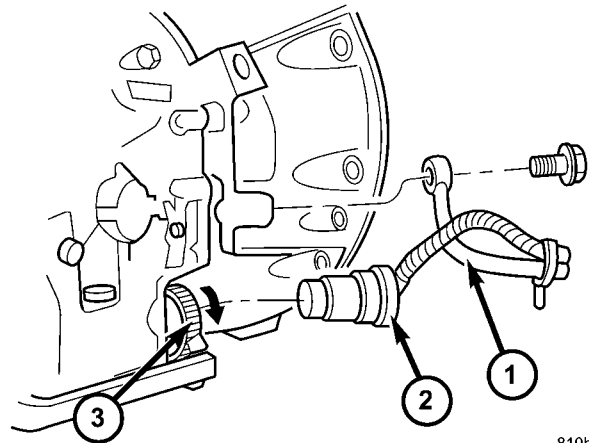
(10) Disconnect the transmission electrical connector (2) (Fig. 32) from transmission and hang to the side. Turn sealing ring (3) counterclockwise and disconnect plug connection (2).

(11) Detach shift cable at transmission.

(a) Unlatch ball socket latch (Fig. 33) of cable.

(b) Unclip shift cable retainer from retainer bracket. When pulling out cable, press together hooks of shift cable retainer at the points shown (arrows).

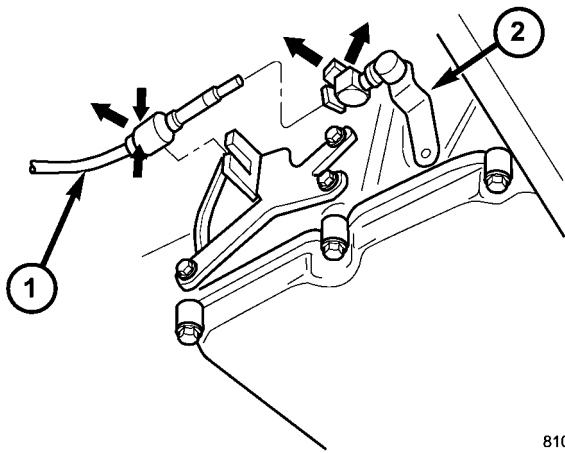
(c) Pull shift cable out of ball socket. Ball socket can remain on transmission lever.



810b783d

Fig. 32 Transmission Electrical Connector and Cooler Line

1 - COOLER LINE
2 - TRANSMISSION ELECTRICAL CONNECTOR
3 - SEALING RING

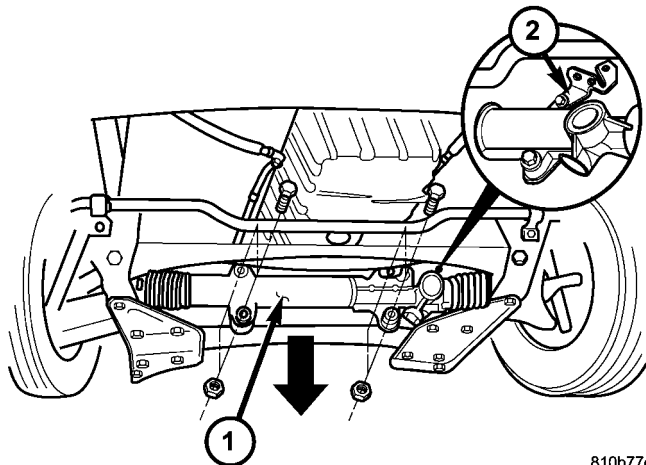


810b77ba

Fig. 33 Shift Cable at Transmission

- 1 - SHIFT CABLE
- 2 - TRANSMISSION SHIFT LEVER

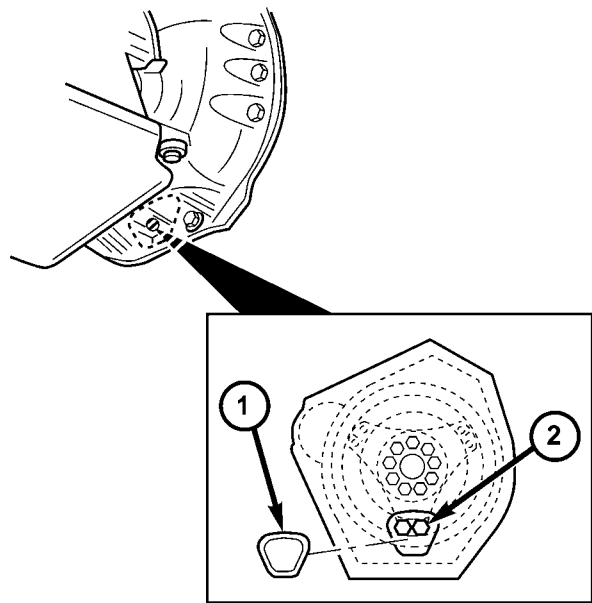
- (12) Remove the torque converter bolts.
 - (a) Remove the steering gear (1) (Fig. 34) from the chassis crossmember.
 - (b) Lower the steering gear (1) (Fig. 34) downwards.
 - (c) Remove the plastic torque converter access cover (1) (Fig. 35) at back of engine flange.
 - (d) Rotate engine by hand until bolts (2) (Fig. 35) are in front of opening. Rotate engine forwards at crankshaft.
 - (e) To remove bolts, position a ratchet with long extension and joint nut as shown (Fig. 36).
 - (f) Remove the two bolts (2) (Fig. 35) at each of the three locations at circumference of driving plate.



810b77d1

Fig. 34 Steering Gear

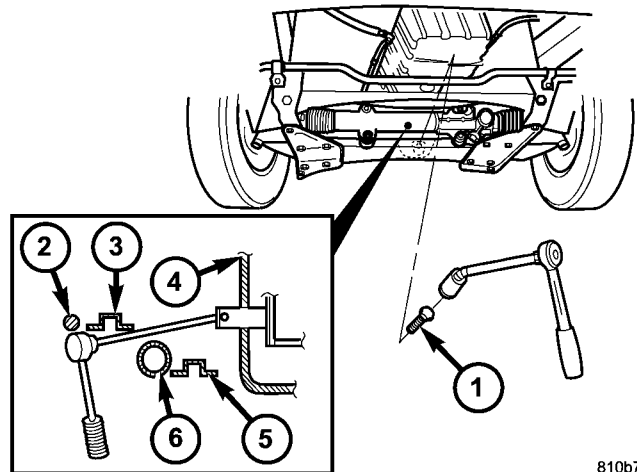
- 1 - STEERING GEAR
- 2 - BRACKET



810b7803

Fig. 35 Torque Converter Access Cover

- 1 - TORQUE CONVERTER ACCESS COVER
- 2 - BOLT



810b7816

Fig. 36 Torque Converter Bolts Access

- 1 - BOLT
- 2 - STABILIZER BAR
- 3 - REINFORCEMENT PLATE
- 4 - OPENING
- 5 - CHASSIS CROSSMEMBER
- 6 - STEERING GEAR

- (13) Remove torque converter drain plug and drain automatic transmission oil into a clean container. Re-install the drain plug and torque the plug to 14 N·m (130 in.lbs.).

- (14) Support engine. Insert wooden block between oil pan and front chassis crossmember beam.

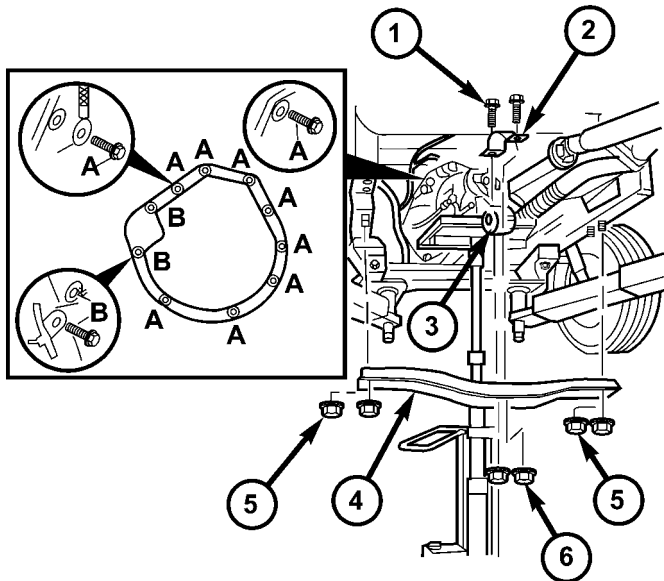
- (15) Remove vent hose bracket and tie back to one side.

(16) Disconnect ground strap and tie back to one side.

(17) Remove bolts (A) (Fig. 37) on underside of transmission. Two bolts (A) on top of transmission must remain in the housing.

(18) Place hydraulic transmission jack under transmission and raise slightly. Secure transmission on hydraulic jack with a strap or ask an assistant to hold it.

(19) Remove rear engine cross member (4) (Fig. 37). First remove the nuts (5) at the outside ends of the engine crossmember. Then remove the bolts (1) of the transmission mount.



810b7888

Fig. 37 Support Transmission and Remove Bolts

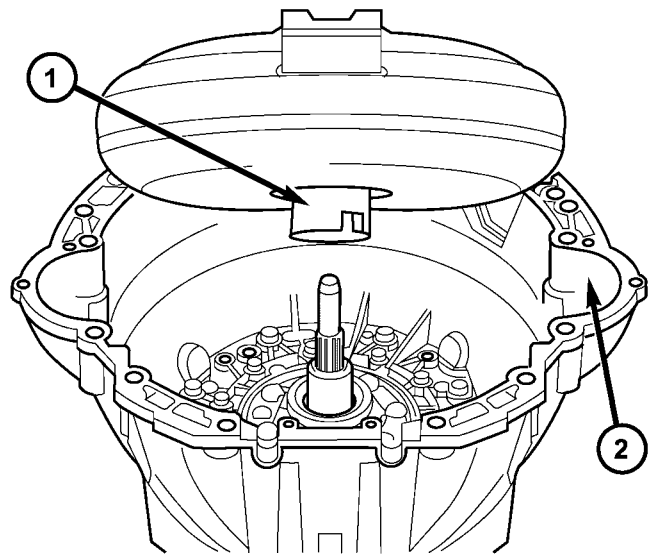
- 1 - BOLT, TRANSMISSION MOUNT
- 2 - UPPER SHELL FOR TRANSMISSION MOUNT
- 3 - TRANSMISSION MOUNT
- 4 - CROSSMEMBER
- 5 - NUT, ENGINE CROSSMEMBER
- 6 - NUT, TRANSMISSION SUPPORT

(20) Remove the last bolts (A, B) (Fig. 37) on the top of the transmission.

(21) Remove the transmission towards the rear and lower. Ensure that the converter remains in the transmission housing when the transmission is removed.

(22) Remove the torque converter.

DISASSEMBLY

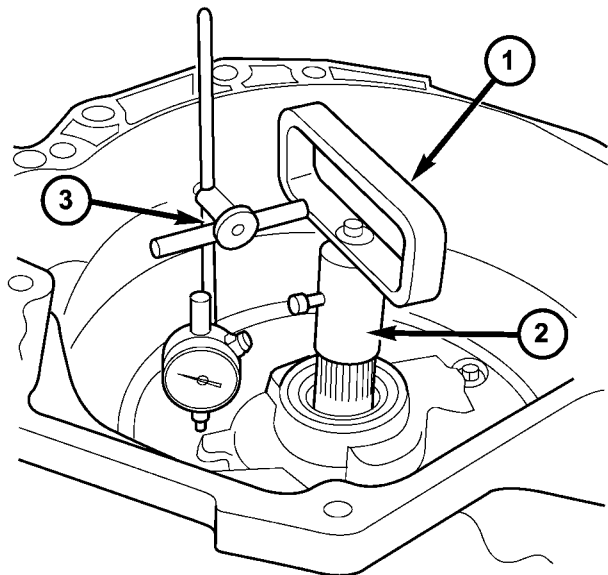


80e3f7ca

Fig. 38 Remove Torque Converter

- 1 - TORQUE CONVERTER
- 2 - CONVERTER HOUSING

(1) Remove the torque converter (1) (Fig. 38).



810afafc

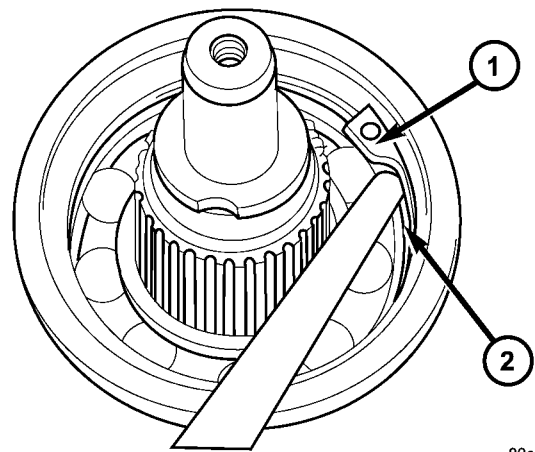
Fig. 39 Checking Input Shaft End Play

- 1 - TOOL 8266-8
- 2 - TOOL 8266-18
- 3 - TOOL C-3339

(2) Place transmission in a vertical position.

(3) Measure input shaft end play as follows: (Fig. 39)

- (a) Attach Adapter 8266-18 (2) to Handle 8266-8 (1).
- (b) Attach dial indicator C-3339 (3) to Handle 8266-8 (1).
- (c) Install the assembled tool onto the input shaft of the transmission and tighten the retaining screw on Adapter 8266-18 (2) to secure it to the input shaft.
- (d) Position the dial indicator plunger against a flat spot on the oil pump and zero the dial indicator.
- (e) Move the input shaft in and out. Record the maximum travel for assembly reference.

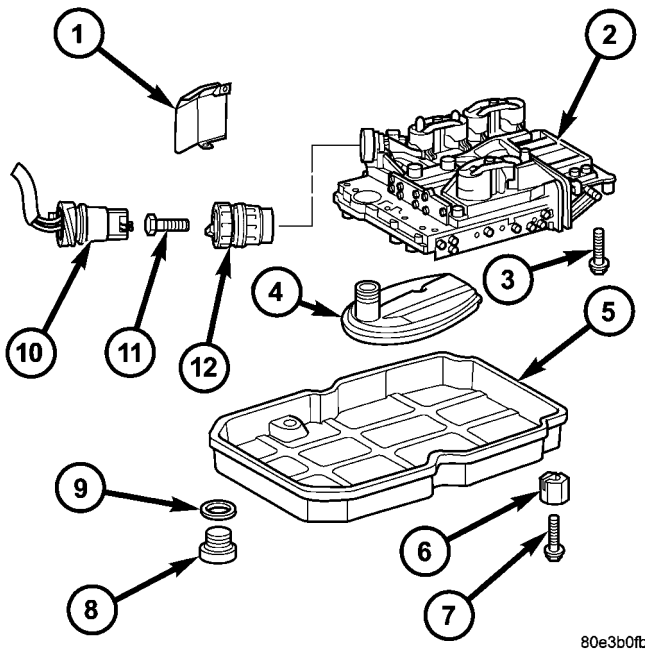


80e3f910

Fig. 41 Remove Rear Output Shaft Retaining Ring

- 1 - RETAINING RING
- 2 - OUTPUT SHAFT BEARING

- (8) Place the transmission in PARK to prepare for the removal of the output shaft nut.
- (9) Remove the nut holding the propeller shaft flange to the output shaft and remove the flange.
- (10) Remove the transmission rear oil seal with a suitable slide hammer and screw.
- (11) Remove the transmission output shaft washer. Be sure to tag the washer since it is very similar to the geartrain end-play shim and they must not be interchanged.
- (12) Remove the transmission rear output shaft bearing retaining ring (1) (Fig. 41).

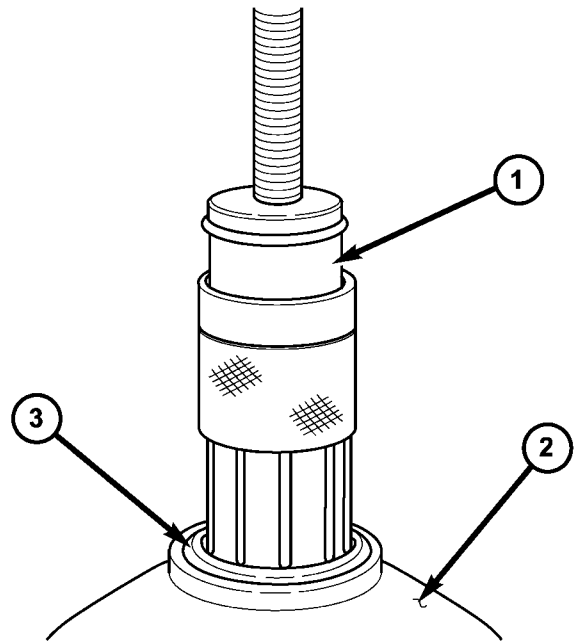


80e3b0fb

Fig. 40 Remove Electrohydraulic Unit

- 1 - HEAT SHIELD
- 2 - ELECTROHYDRAULIC UNIT
- 3 - BOLT
- 4 - OIL FILTER
- 5 - OIL PAN
- 6 - CLAMPING ELEMENT
- 7 - BOLT
- 8 - DRAIN PLUG
- 9 - DRAIN PLUG GASKET
- 10 - 13-PIN PLUG CONNECTOR
- 11 - BOLT
- 12 - GUIDE BUSHING

- (4) Loosen guide bushing (12) (Fig. 40) and remove from transmission housing.
- (5) Detach oil pan (5) (Fig. 40).
- (6) Remove oil filter (4) (Fig. 40).
- (7) Unscrew Torx socket bolts (3) and remove electrohydraulic unit (2).



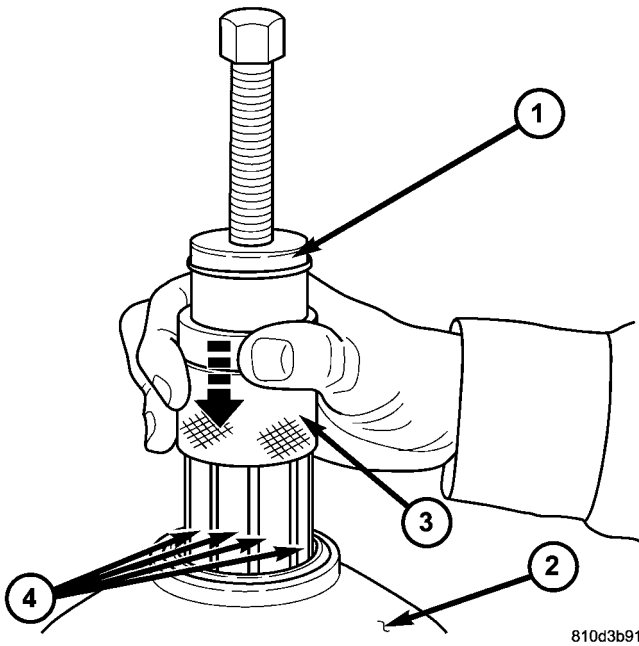
810d3b74

Fig. 42 Position Remover 9082 On Bearing

- 1 - BEARING REMOVER 9082
- 2 - TRANSMISSION CASE
- 3 - OUTPUT SHAFT BEARING

(13) Position Bearing Remover 9082 (1) (Fig. 42) over the inner race of the output shaft bearing (3).

(15) Remove the output shaft bearing (3) (Fig. 44).
 (16) Remove the geartrain end-play shim from the output shaft. Be sure to tag the shim since it is very similar to the output shaft washer and they must not be interchanged.

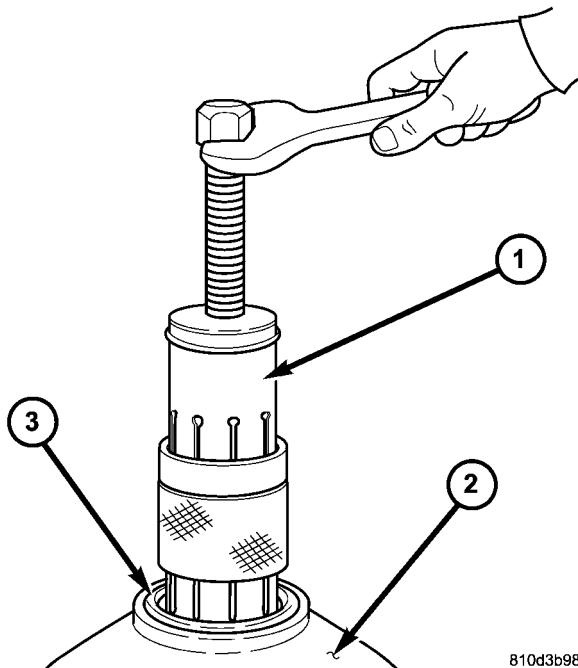


810d3b91

Fig. 43 Slide Remover 9082 Collar Downward

- 1 - BEARING REMOVER 9082
- 2 - TRANSMISSION CASE
- 3 - COLLAR
- 4 - FINGERS

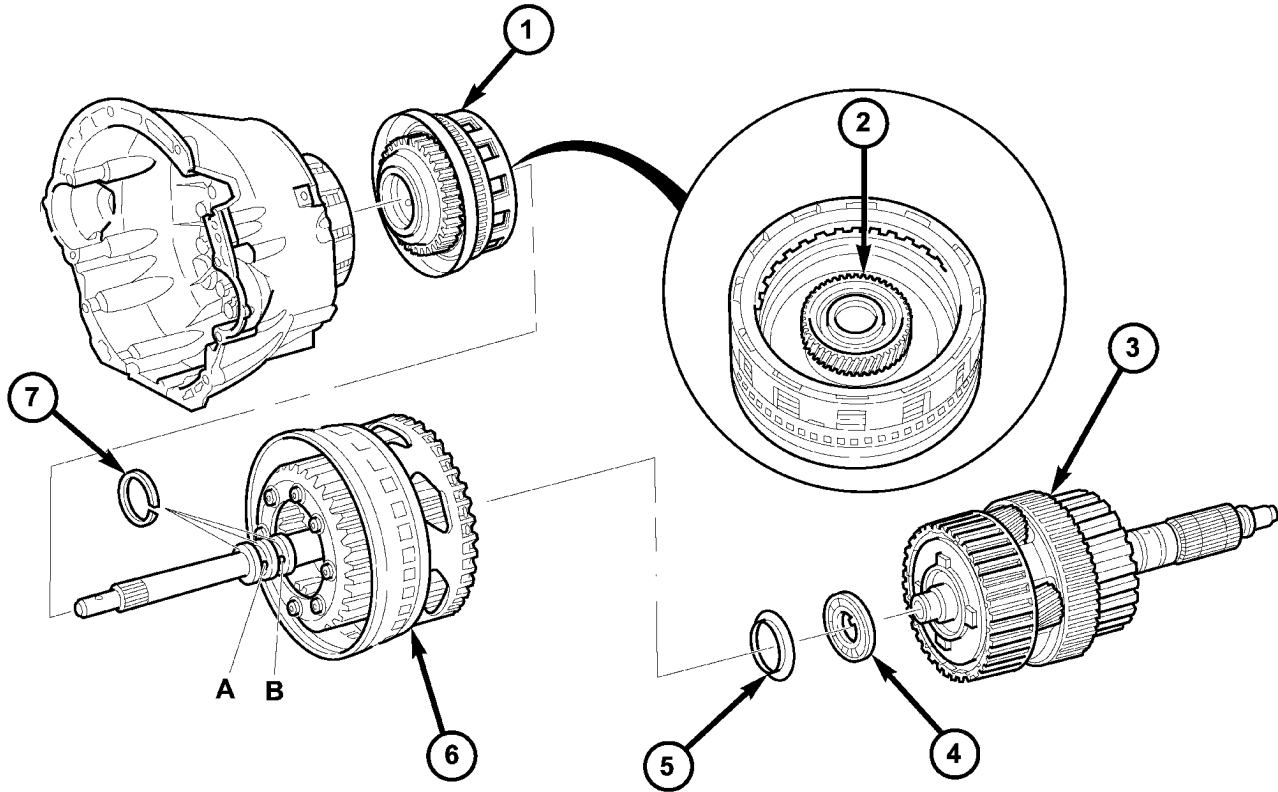
(14) Slide the collar (3) (Fig. 43) on the Bearing Remover 9082 (1) downward over the fingers (4) of the tool.



810d3b98

Fig. 44 Remove Output Shaft Bearing

- 1 - BEARING REMOVER 9082
- 2 - TRANSMISSION CASE
- 3 - OUTPUT SHAFT BEARING



80e3f6da

Fig. 45 Remove K1, K2, and K3 Clutches

- | | |
|--|--|
| 1 - DRIVING CLUTCH K1 | 5 - THRUST WASHER |
| 2 - SUN GEAR OF FRONT PLANETARY GEAR SET | 6 - FRONT PLANETARY GEAR SET, DRIVING CLUTCH K2, AND INPUT SHAFT |
| 3 - DRIVING CLUTCH K3, OUTPUT SHAFT, AND CENTER AND REAR PLANETARY GEAR SETS | 7 - SEALING RINGS |
| 4 - THRUST NEEDLE BEARING | |

(17) Remove the bolts holding the transmission housing to the converter housing from inside the converter housing.

(18) Stand the transmission upright on the converter housing. Be sure to use suitable spacers between the bench surface and the converter housing since the input shaft protrudes past the front surface of the housing.

(19) Remove the remaining bolts holding the transmission housing to the converter housing.

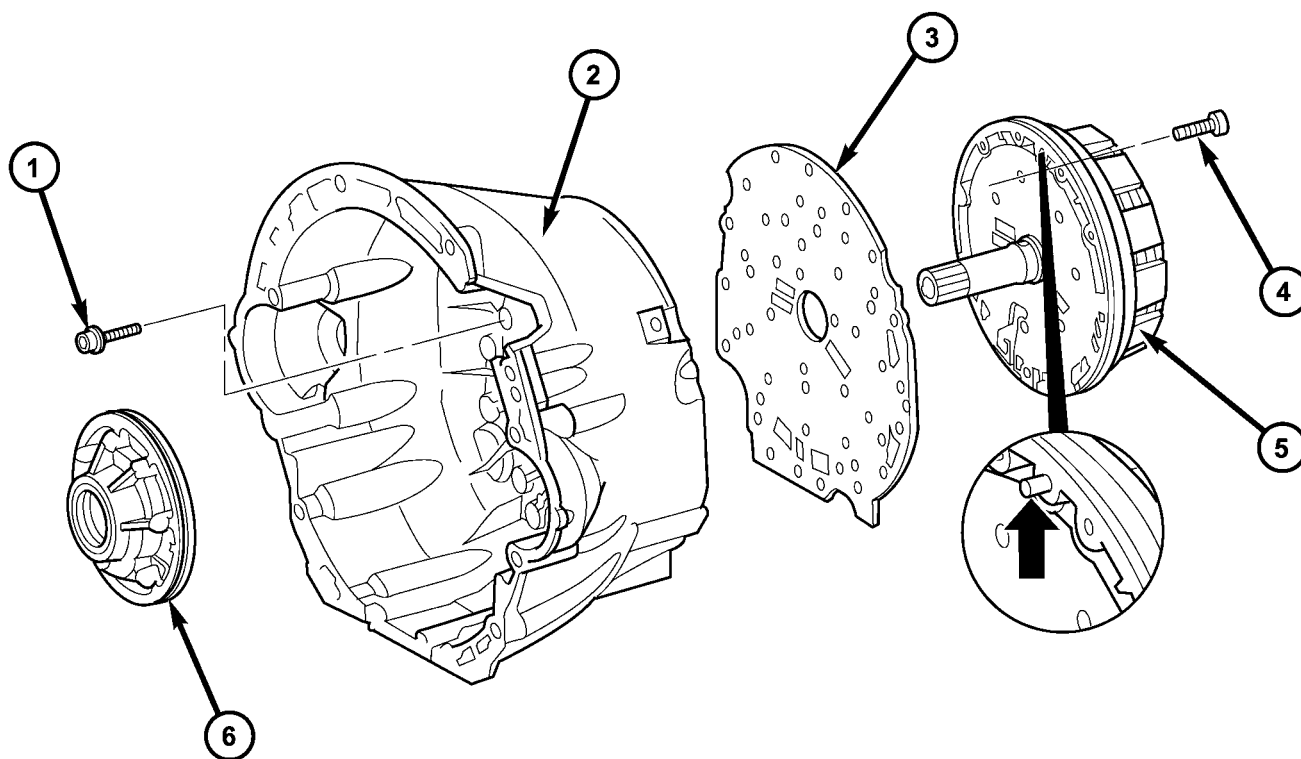
(20) Remove the transmission housing from the converter housing.

(21) Remove output shaft with center and rear gear set and clutch K3 (3) (Fig. 45).

(22) Remove thrust needle bearing (4) and thrust washer (5) (Fig. 45).

(23) Remove input shaft with clutch K2 and front gear set (6).

(24) Remove clutch K1 (1).



80e3f6de

Fig. 46 Remove Holding Clutch B1 and Oil Pump

1 - BOLTS - M6X32
 2 - CONVERTER HOUSING
 3 - INTERMEDIATE PLATE

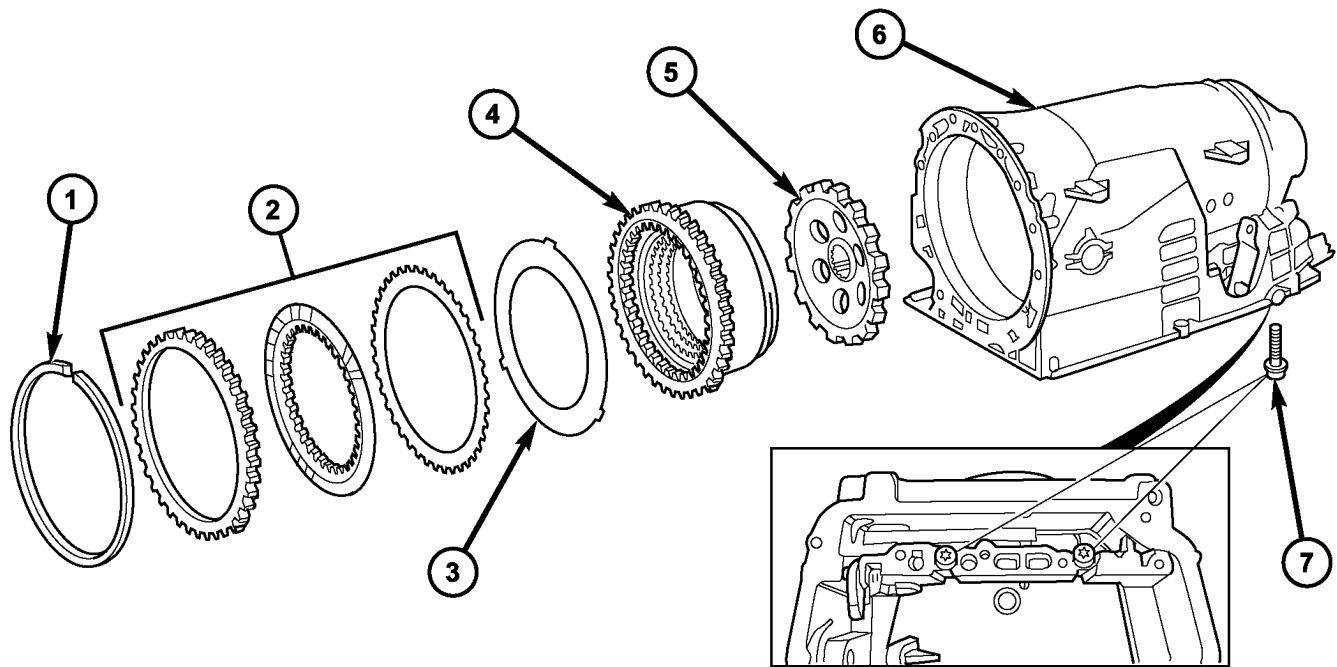
4 - BOLTS - M8X35
 5 - HOLDING CLUTCH B1
 6 - OIL PUMP

(25) Unscrew Torx socket bolts (4) (Fig. 46) and remove oil pump (6). Screw two opposed bolts into the oil pump housing and press the oil pump out of the converter housing by applying light blows with a plastic hammer.

(26) Remove and discard the torque converter hub seal and the oil pump outer o-ring seal from the oil pump.

(27) Unscrew Torx socket bolts (1) (Fig. 46) and remove multiple-disc holding clutch B1 (5) from converter housing. Screw two opposed bolts into the multiple-disc holding clutch B1 (5) and separate from the converter housing by applying light blows with a plastic hammer.

(28) Detach intermediate plate (3) (Fig. 46) from converter housing (2).



80e3f7ce

Fig. 47 Remove B2, B3, and Parking Gear

1 - SNAP-RING
 2 - HOLDING CLUTCH B3 DISCS
 3 - SPRING WASHER
 4 - HOLDING CLUTCH B2

5 - PARK GEAR
 6 - TRANSMISSION HOUSING
 7 - BOLTS - M8X60

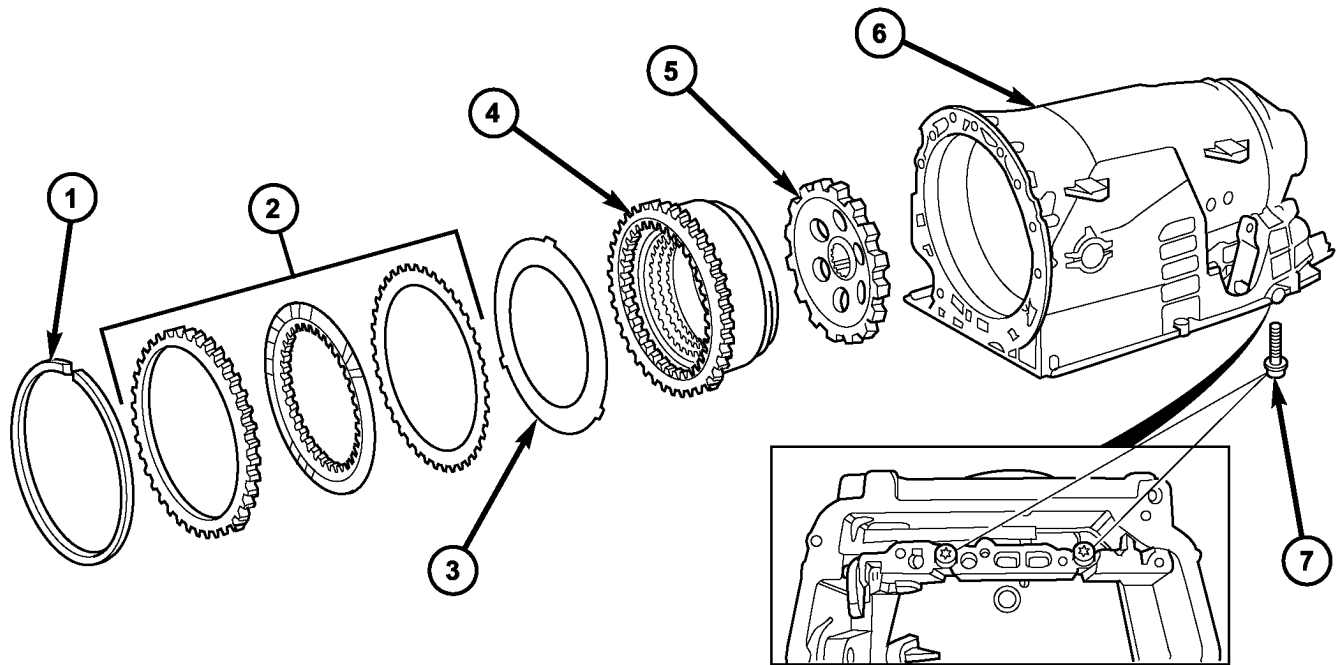
(29) Remove multiple-disc pack B3 (2) (Fig. 47) and spring washer (3) by removing snap-ring (1) in transmission housing. To facilitate removal of the snap-ring (1), compress the multiple-disc pack B3 (2). Note which clutch disc is removed just prior to the spring washer (3) for re-assembly. If the clutch discs are re-used, this disc must be returned to its original position on top of the spring washer.

(30) Unscrew Torx socket bolts (7) (Fig. 47).

(31) Remove multiple-disc holding clutch B2 (4) (Fig. 47) from transmission housing. The externally toothed disc carrier for multiple-disc holding clutch B2 is also the piston for multiple-disc holding clutch B3.

(32) Remove parking lock gear (5) (Fig. 47).

ASSEMBLY



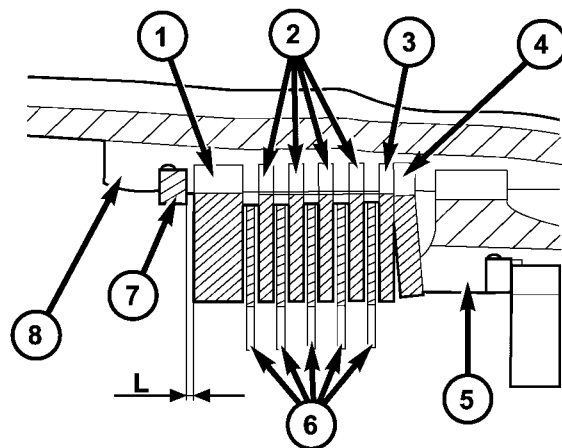
80e3f7ce

Fig. 48 Install B2, B3, and Parking Gear

- 1 - SNAP-RING
- 2 - HOLDING CLUTCH B3 DISCS
- 3 - SPRING WASHER
- 4 - HOLDING CLUTCH B2

- 5 - PARK GEAR
- 6 - TRANSMISSION HOUSING
- 7 - BOLTS - M8X60

- (1) Insert parking lock gear (5) (Fig. 48).
- (2) Install multiple-disc holding clutch B2 (4) in transmission housing (6) (Fig. 48).
- (3) Screw in both Torx socket bolts (7). Tighten the bolts to 16 N·m (141 in.lbs.).



80e40236

Fig. 49 Measure B3 Clutch Clearance

- | | |
|---|---------------------|
| 1 - OUTER DISC - 6.5 MM
(0.256 IN.) | 5 - PISTON |
| 2 - OUTER DISCS - 1.8 MM
(0.071 IN.) | 6 - FRICTION DISCS |
| 3 - OUTER DISCS - 1.8 MM
(0.071 IN.) | 7 - SNAP-RING |
| 4 - SPRING WASHER | 8 - B3 DISC CARRIER |

NOTE: During the measurement the snap ring (7) (Fig. 49) must contact the upper bearing surface of the groove in the outer multiple-disc carrier (8).

NOTE: Pay attention to sequence of discs. If the original clutch discs are reused, be sure to return the disc identified on disassembly as belonging on top of the spring washer (4) to its original location. Place new friction multiple-discs in ATF fluid for one hour before installing.

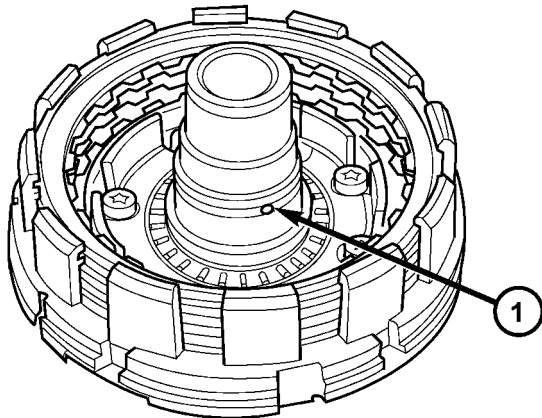
(4) Insert and measure spring washer (4) (Fig. 49) and multiple-disc pack B3 (2, 6).

(a) Put multiple-discs for multiple-disc holding clutch B3 together in the sequence shown in the illustration and insert individually.

(b)

CAUTION: Apply only light pressure (less than 10 N (3 lbs.) of force) to the clutch pack when measuring the clutch clearance with the feeler gauge. Applying excessive force to the clutch will give an incorrect reading and lead to a transmission failure. Using a feeler gauge, determine the play "L" at three points between the snap ring (7) and outer multiple-disc (1). B3 clutch clearance should be 1.0-1.4 mm (0.039-0.055 in.). Adjust the clearance as necessary.

(c) Adjust with snap-ring (7), if necessary. Snap-rings are available in thicknesses of 3.2 mm (0.126 in.), 3.5 mm (0.138 in.), 3.8 mm (0.150 in.), 4.1 mm (0.162 in.), 4.4 mm (0.173 in.), and 4.7 mm (0.185 in.).

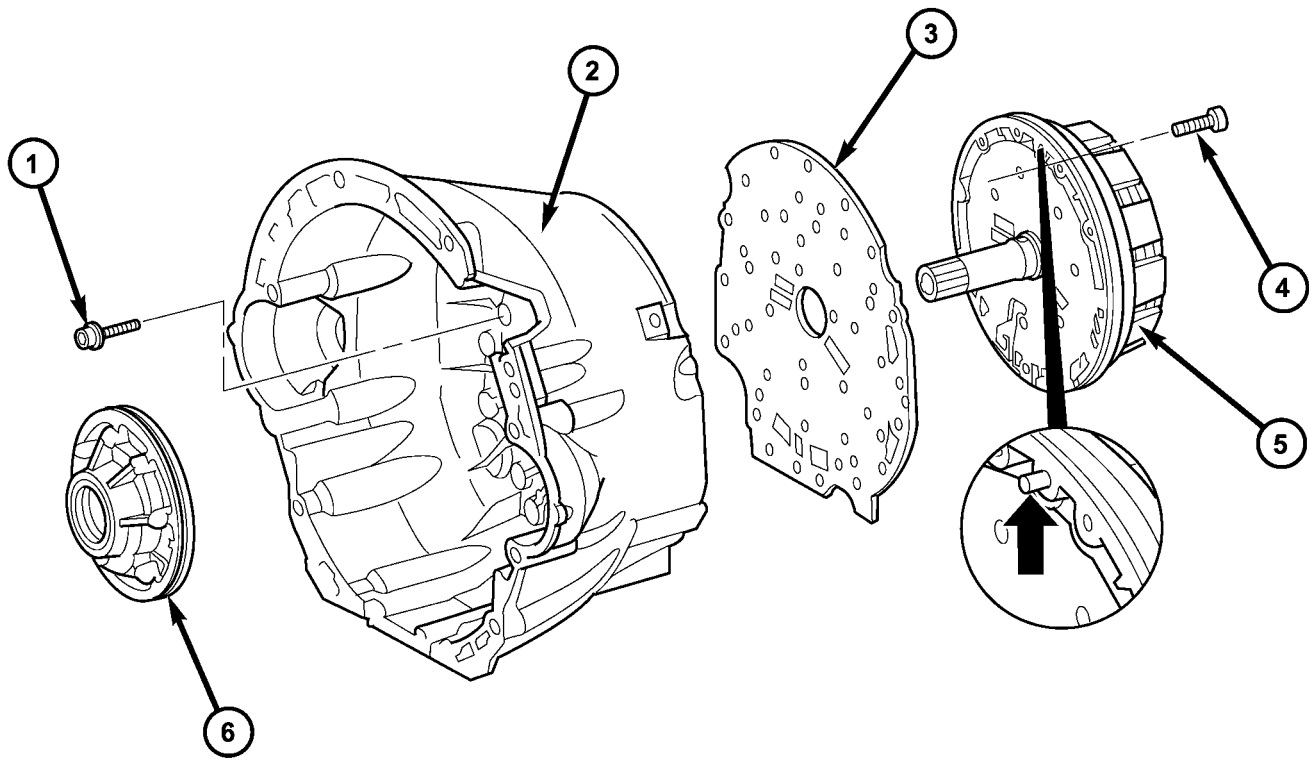


80e3f72d

Fig. 50 Check K1 Feed Hole

1 - K1 CLUTCH FEED HOLE

(5) Check that the K1 clutch feed hole (1) (Fig. 50) in the inner hub of clutch B1 is free before installing clutch B1.



80e3f6de

Fig. 51 Install Holding Clutch B1 and Oil Pump

1 - BOLTS - M6X32
2 - CONVERTER HOUSING
3 - INTERMEDIATE PLATE

4 - BOLTS - M8X35
5 - HOLDING CLUTCH B1
6 - OIL PUMP

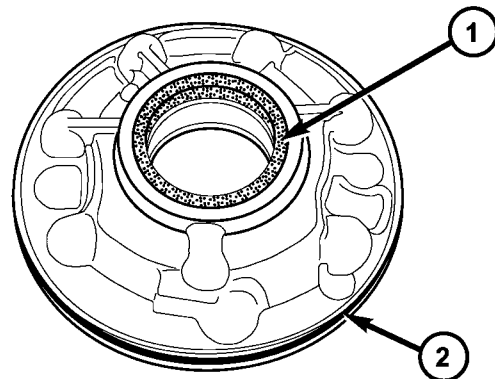
(6) Place intermediate plate (3) on converter housing (2) and align.

NOTE: The intermediate plate can generally be used several times. The plate must not be coated with sealant

(7) Install the holding clutch B1 (5) (Fig. 51) onto the converter housing and intermediate plate. Installed position of clutch B1 in relation to converter housing is specified by a plain dowel pin in clutch B1 (arrow).

(8) Install the bolts to hold clutch B1 (5) (Fig. 51) to the converter housing.

(9) Securely tighten multiple-disc holding clutch B1 (5) on converter housing (2) to 10 N-m (88.5 in.lbs.).



80e400e1

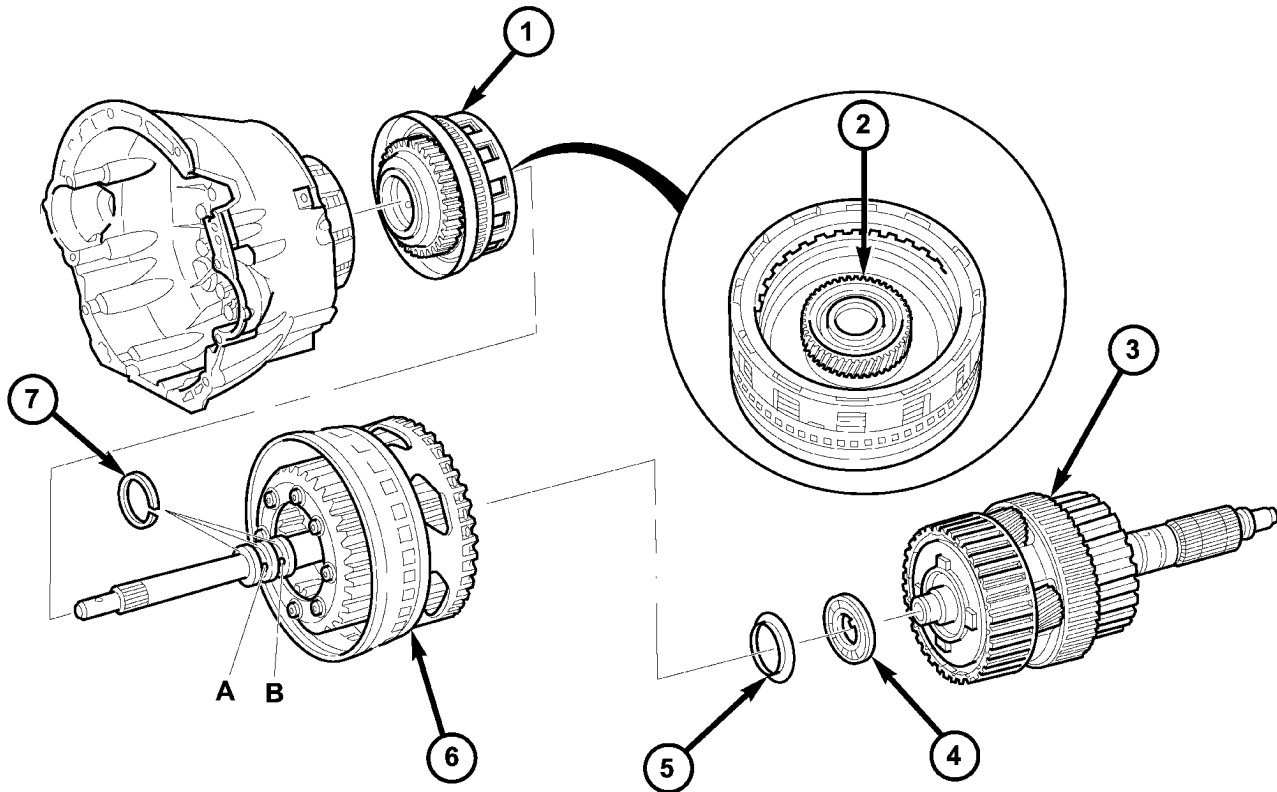
Fig. 52 Install New Oil Pump Seals

1 - INNER OIL SEAL
2 - OUTER OIL SEAL

(10) Install new torque converter hub seal (1) (Fig. 52) into the oil pump using Seal Installer 8902A.

(11) Install new oil pump outer o-ring seal onto oil pump (Fig. 52).

(12) Install oil pump (6) and securely tighten.
Tighten the oil pump bolts to 20 N·m (177 in.lbs.).



80e3f6da

Fig. 53 Install K1, K2, and K3 Clutches

1 - DRIVING CLUTCH K1

2 - SUN GEAR OF FRONT PLANETARY GEAR SET

3 - DRIVING CLUTCH K3, OUTPUT SHAFT, AND CENTER AND REAR PLANETARY GEAR SETS

4 - THRUST NEEDLE BEARING

5 - THRUST WASHER

6 - FRONT PLANETARY GEAR SET, DRIVING CLUTCH K2, AND INPUT SHAFT

7 - SEALING RINGS

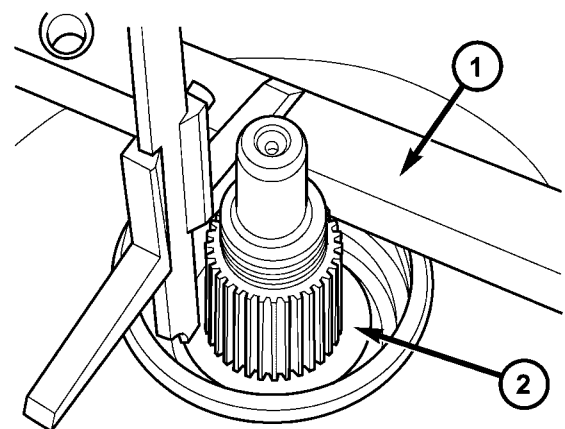
(13) Using grease, insert sealing rings (7) (Fig. 53) in the groove so that the joint remains together.

(14) Install the K1 (1) clutch onto the B1 clutch (Fig. 53).

(15) Install input shaft with clutch K2 (6) and front gear set (1) (Fig. 53).

(16) Install front washer (5) and thrust needle bearing (4) (Fig. 53).

(17) Install output shaft with center and rear gear set and clutch K3 (3) (Fig. 53).



80e40044

Fig. 54 Measure From Transmission Housing to Park Gear

1 - GAUGE BAR 6311

2 - PARK GEAR

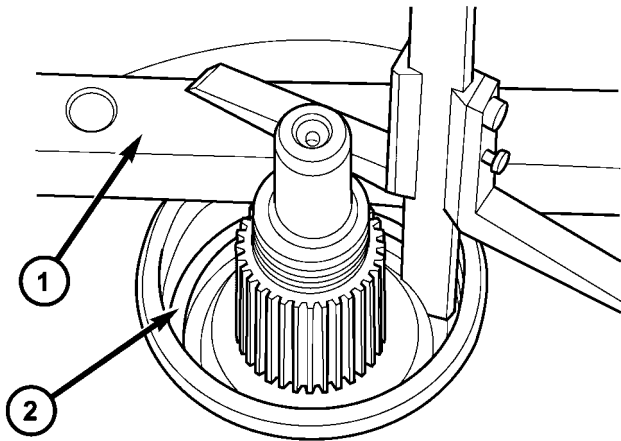
(18) Using grease, install both Teflon rings in the groove at the rear of the output shaft so that the joint stays together.

(19) Mount transmission housing on converter housing.

(20) Screw in Torx socket bolts through the transmission housing into the converter housing. Tighten the bolts to 20 N·m (177 in.lbs.).

(21) Measure end-play between park pawl gear and grooved ball bearing in order to select the proper geartrain end-play shim.

(22) Place Gauge Bar 6311 (1) on transmission housing. Using a depth gauge, measure from the gauge bar (1) to the parking lock gear (2) (Fig. 54).



80e40089

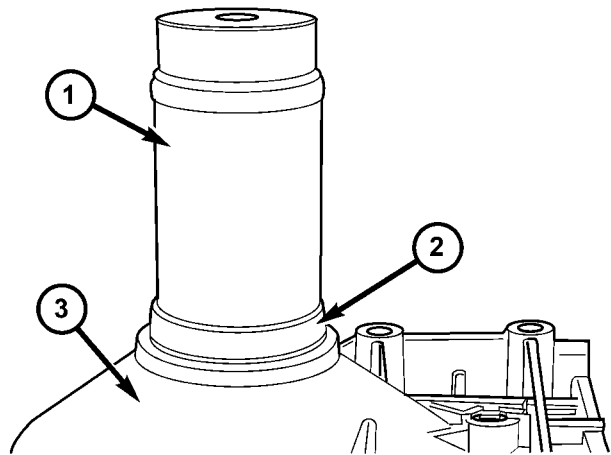
Fig. 55 Measure From Transmission Housing To Rear Bearing Contact Surface

- 1 - GAUGE BAR 6311
- 2 - OUTPUT SHAFT BEARING CONTACT SURFACE

(23) Using a depth gauge, measure from the Gauge Bar 6311 (1) to the contact surface of the output shaft bearing (2) in the transmission housing. (Fig. 55)

(24) Subtract the first figure from the second figure to determine the current end-play of the transmission. Select a shim such that the end-play will be 0.3-0.5 mm (0.012-0.020 in.). Shims are available in thicknesses of 0.2 mm (0.008 in.), 0.3 mm (0.012 in.), 0.4 mm (0.016 in.), and 0.5 mm (0.020 in.).

(25) Install the selected end-play shim.



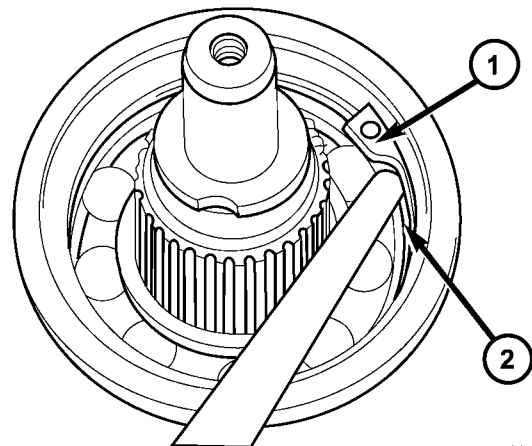
810b94fe

Fig. 56 Install Output Shaft Bearing

- 1 - BEARING INSTALLER 9287
- 2 - BEARING
- 3 - TRANSMISSION CASE

(26) Screw in Torx socket bolts through the converter housing into the transmission housing. Tighten the bolts to 20 N·m (177 in.lbs.).

(27) Install output shaft bearing (2) in rear transmission housing. Using Bearing Installer 9287 (1) (Fig. 56), install the output shaft bearing (2) into the transmission housing. **The closed side of the plastic cage must point towards the parking lock gear.**



80e3f910

Fig. 57 Install Rear Output Shaft Retaining Ring

- 1 - RETAINING RING
- 2 - OUTPUT SHAFT BEARING

(28) Install the retaining ring (1) (Fig. 57). Ensure that the retaining ring is seated correctly in the groove.

(29) Check that there is no play between the bearing and the retaining ring using feeler gauge.

(30) There must be no play between the retaining ring and the bearing. If the ring cannot be installed, a thinner ring must be used. If there is play between the ring and the bearing, a thicker ring must be

installed. Retaining rings are available in thicknesses of 2.0 mm (0.079 in.), 2.1 mm (0.083 in.), and 2.2 mm (0.087 in.).

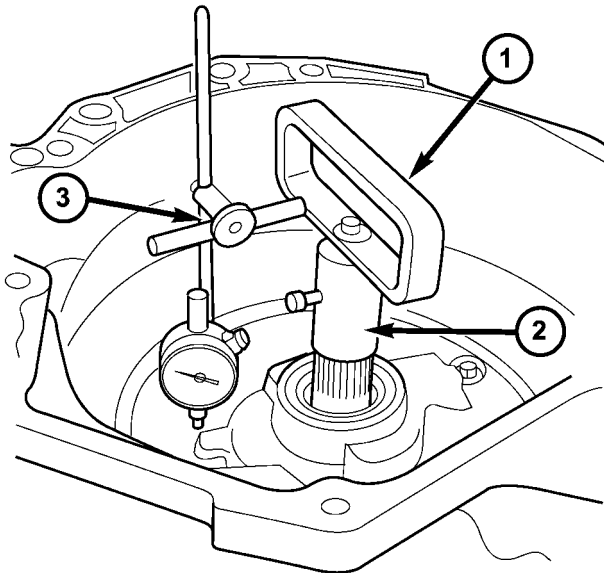


Fig. 58 Checking Input Shaft End Play

- 1 - TOOL 8266-8
- 2 - TOOL 8266-18
- 3 - TOOL C-3339

(31) Rotate the transmission so that the bellhousing is pointed upward and ensuring that the output shaft is allowed to move freely.

(32) Measure input shaft end-play (Fig. 58).

NOTE: If end-play is incorrect, transmission is incorrectly assembled, or the geartrain end-play shim is incorrect. The geartrain end-play shim is selective.

(a) Attach Adapter 8266-18 (2) to Handle 8266-8 (1).

(b) Attach dial indicator C-3339 (3) to Handle 8266-8 (1).

(c) Install the assembled tool onto the input shaft of the transmission and tighten the retaining screw on Adapter 8266-18 to secure it to the input shaft.

(d) Position the dial indicator plunger against a flat spot on the oil pump and zero the dial indicator.

(e) Move input shaft in and out and record reading. End play should be 0.3-0.5 mm (0.012-0.020 in.). Adjust as necessary.

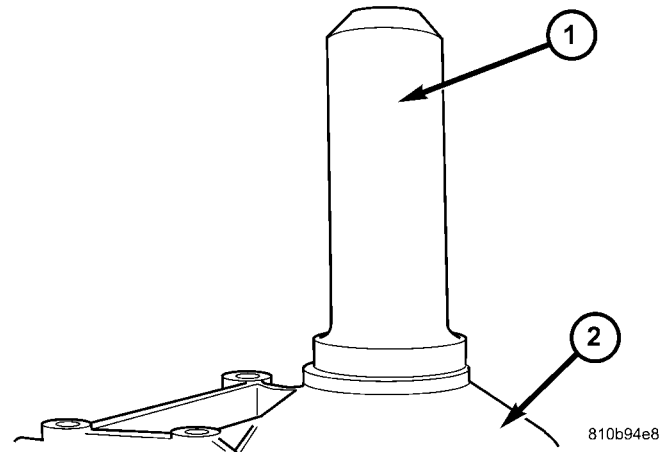


Fig. 59 Install Output Shaft Seal

- 1 - SEAL INSTALLER 8902A
- 2 - TRANSMISSION CASE

(33) Install the output shaft washer onto the output shaft.

(34) Install a new transmission rear seal into the transmission case with Seal Installer 8902A (1) (Fig. 59).

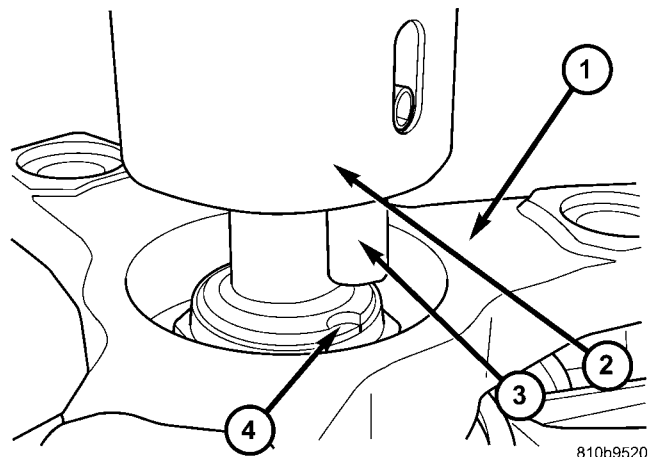


Fig. 60 Align Staking Tool 9078

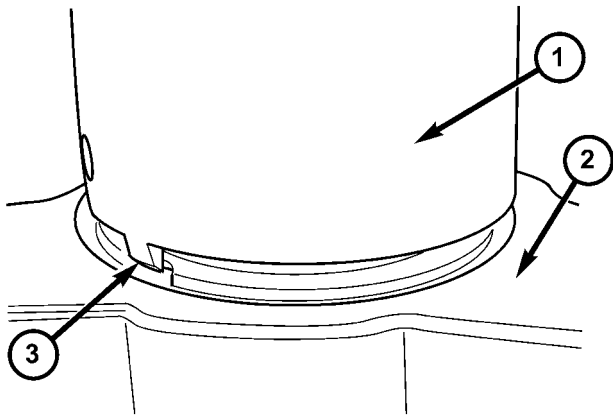
- 1 - PROPELLER SHAFT FLANGE
- 2 - STAKING TOOL 9078
- 3 - ALIGNMENT PIN
- 4 - OUTPUT SHAFT NOTCH

(35) Place the transmission in PARK to prepare for the installation of the output shaft nut.

(36) Install the propeller shaft flange onto the output shaft and install a new flange nut. Tighten the flange nut to 200 N·m (147.5 ft.lbs.).

(37) Place the Staking Tool 9078 (2) and Driver Handle C-4171 onto the output shaft.

(38) Rotate the Staking Tool 9078 (2) until the alignment pin (3) engages the output shaft notch (4) (Fig. 60).



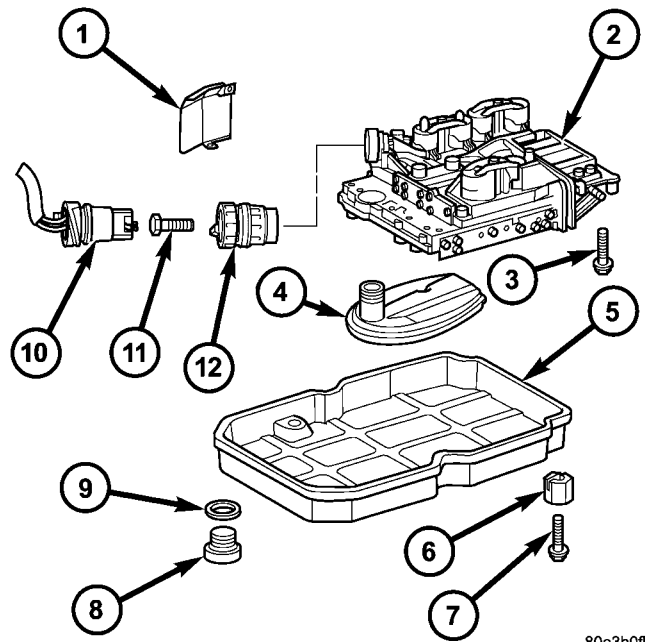
810b94b2

Fig. 61 Stake Output Shaft Nut

- 1 - STAKING TOOL 9078
- 2 - PROPELLER FLANGE
- 3 - STAKING PIN

(39) Press downward on the staking tool (1) until the staking pin (3) contacts the output shaft nut flange (2) (Fig. 61).

(40) Strike the Driver handle C-4171 with a suitable hammer until the output shaft nut is securely staked to the output shaft.



80e3b0fb

Fig. 62 Install Electrohydraulic Unit

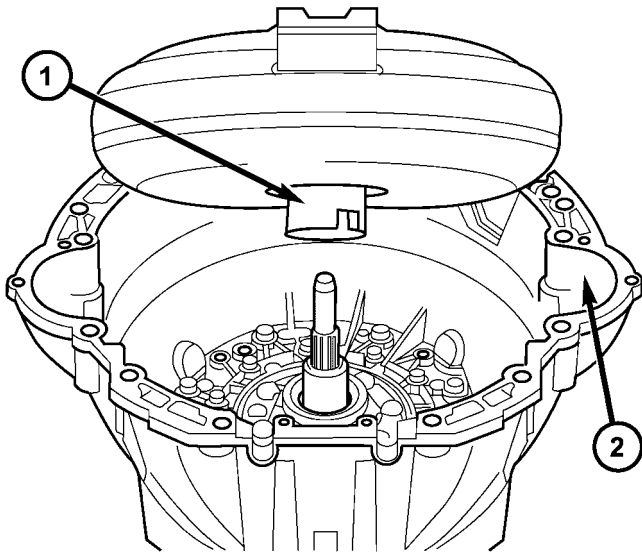
- 1 - HEAT SHIELD
- 2 - ELECTROHYDRAULIC UNIT
- 3 - BOLT
- 4 - OIL FILTER
- 5 - OIL PAN
- 6 - CLAMPING ELEMENT
- 7 - BOLT
- 8 - DRAIN PLUG
- 9 - DRAIN PLUG GASKET
- 10 - 13-PIN PLUG CONNECTOR
- 11 - BOLT
- 12 - GUIDE BUSHING

(41) Install electrohydraulic unit (2). Tighten the bolts to 8 N·m (71 in.lbs.).

(42) Install oil filter (4) (Fig. 62).

(43) Install oil pan (5) (Fig. 62). Tighten the bolts to 8 N·m (71 in.lbs.).

(44) Install guide bushing (12) (Fig. 62).



80e3f7ca

Fig. 63 Install Torque Converter

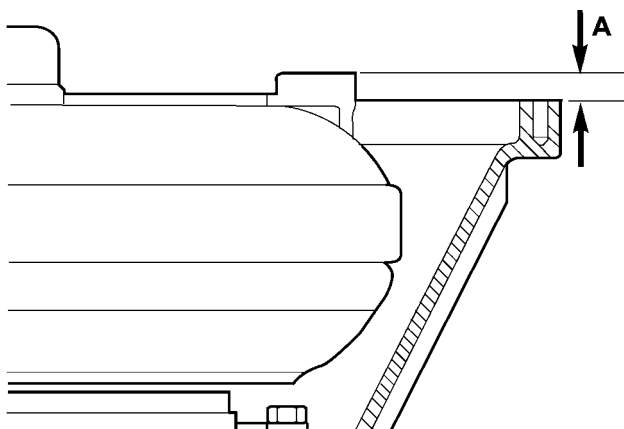
- 1 - TORQUE CONVERTER
- 2 - CONVERTER HOUSING

(45) Install the torque converter (Fig. 63).

INSTALLATION

(1) Coat outside of the torque converter hub with long-term grease, install the torque converter into the transmission.

(2) Measure distance "A" (Fig. 64) from torque converter to transmission housing. If the torque converter is properly installed, distance "A" will be 55 mm (2.17 in.).



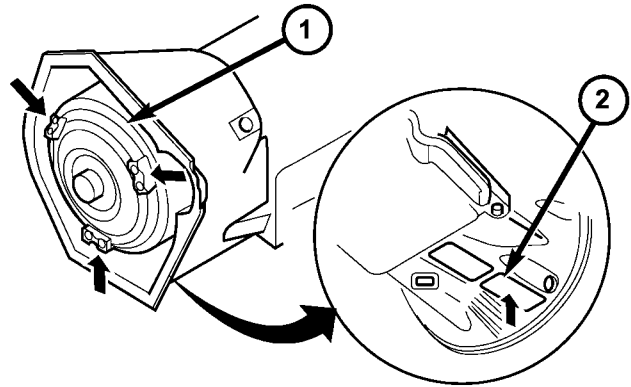
810b7aa4

Fig. 64 Torque Converter Installation Depth

- A - TORQUE CONVERTER INSTALLED DISTANCE

(3) Move the torque converter (1) (Fig. 65) to shown position. Check position of torque converter through housing opening (2) when installing transmission.

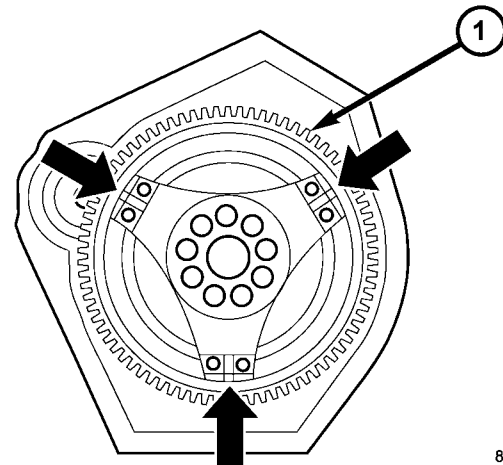
(4) Move driving plate (1) (Fig. 66) to shown position.



810b7a8c

Fig. 65 Position Torque Converter as Shown

- 1 - TORQUE CONVERTER
- 2 - INSPECTION OPENING



810b7a90

Fig. 66 Position Driveplate as Shown

- 1 - DRIVEPLATE

(5) Ensure the dowel pins are installed in their correct position at the transmission housing flange.

(6) Place transmission onto a hydraulic transmission jack and raise the transmission into position. Secure transmission on hydraulic jack with a strap or ask an assistant to hold it.

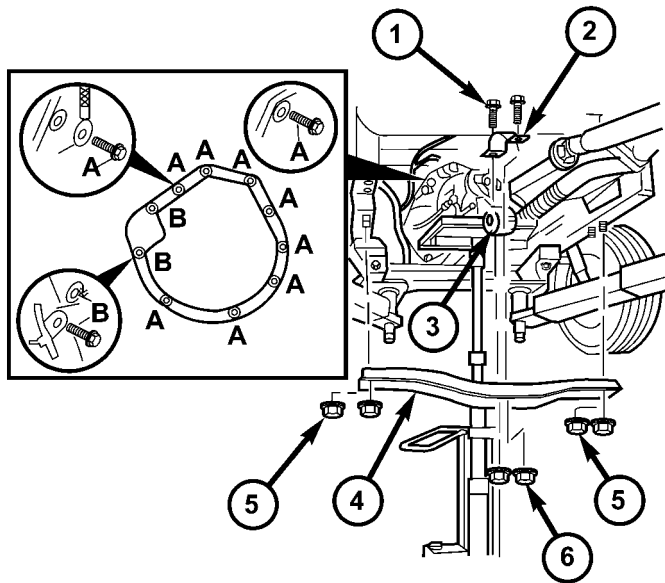
(7) Move the transmission into position on the dowel pins and install two bolts (A, B) (Fig. 67) on the top of the transmission. Torque the bolts to 38 N·m (28 ft.lbs.).

(8) Install the bolt to hose the vent hose bracket to the transmission. Torque the bolt to 38 N·m (28 ft.lbs.).

(9) Install the bolt to hold the ground strap to the transmission. Torque the bolt to 38 N·m (28 ft.lbs.).

(10) Install bolts (A) (Fig. 67) on underside of transmission. Torque the bolts to 38 N·m (28 ft.lbs.).

(11) Install rear engine cross member (4) (Fig. 67). First install the nuts (5) at the outside ends of the engine crossmember. Then install the bolts (1) of the transmission mount. Torque the bolts and nuts to 45 N·m (33 ft.lbs.).



810b7888

Fig. 67 Support Transmission and Install Bolts

- 1 - BOLT, TRANSMISSION MOUNT
- 2 - UPPER SHELL FOR TRANSMISSION MOUNT
- 3 - TRANSMISSION MOUNT
- 4 - CROSSMEMBER
- 5 - NUT, ENGINE CROSSMEMBER
- 6 - NUT, TRANSMISSION SUPPORT

(12) Remove the wooden block supporting the engine and remove the hydraulic jack.

(13) Install the torque converter bolts.

(a) Install the first pair bolts (2) (Fig. 68) at circumference of driving plate snug only.

(b) To install bolts, position a ratchet with long extension and joint nut as shown.

(c) Rotate engine by hand until the next pair of bolts (2) are in front of opening. Rotate engine forwards at crankshaft. Install the next pair of bolts snug only.

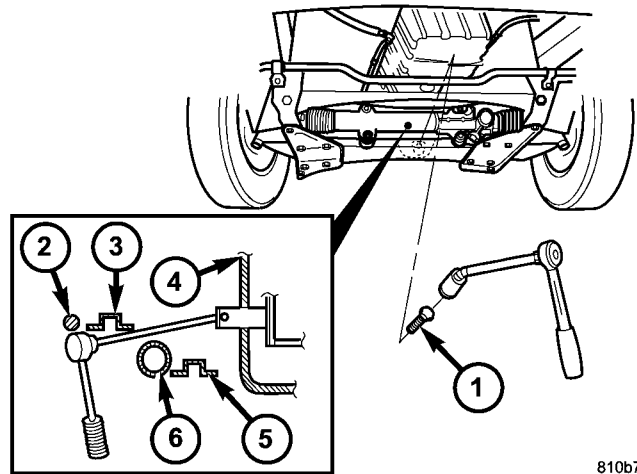
(d) Rotate engine by hand until the final pair of bolts (2) are in front of opening. Rotate engine forwards at crankshaft. Install and torque the bolts to 50 N·m (37 ft.lbs.).

(e) Rotate engine by hand and tighten the first two bolt pairs to 50 N·m (37 ft.lbs.).

(f) Install the plastic torque converter access cover (1) (Fig. 69) to the back of the engine flange.

(g) Install the steering gear (1) (Fig. 70) onto the chassis crossmember. Tighten both steering gear bolts first to 25 N·m (18.5 ft.lbs.). Tighten both

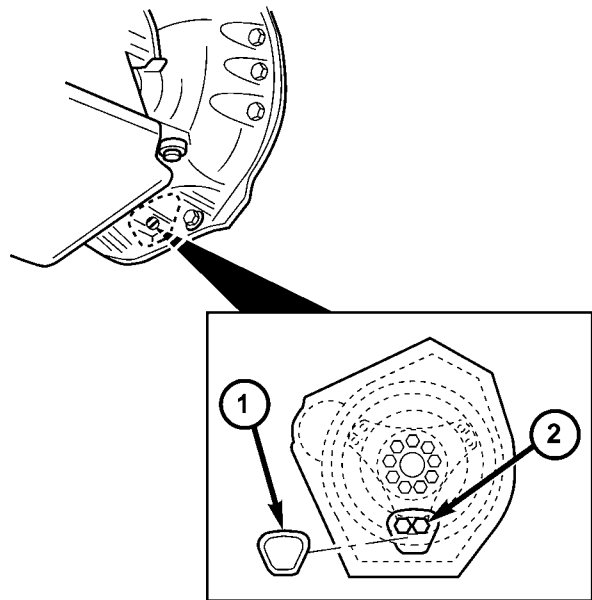
steering gear bolts next to 45 N·m (33 ft.lbs.). Tighten both steering gear bolts next an additional 90°.



810b7816

Fig. 68 Torque Converter Bolts

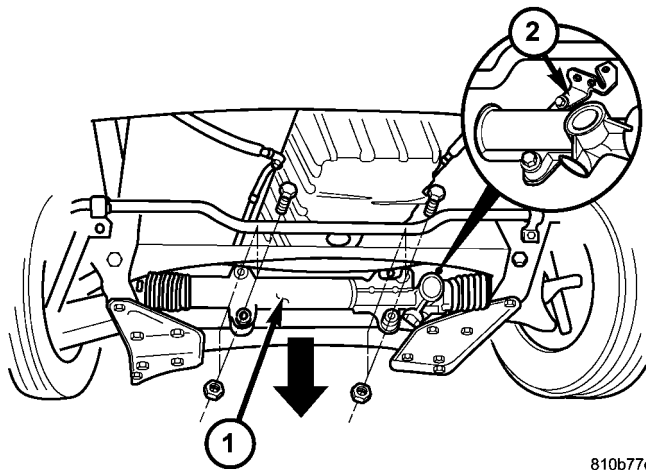
- 1 - BOLT
- 2 - STABILIZER BAR
- 3 - REINFORCEMENT PLATE
- 4 - OPENING
- 5 - CHASSIS CROSSMEMBER
- 6 - STEERING GEAR



810b7803

Fig. 69 Torque Converter Access Cover

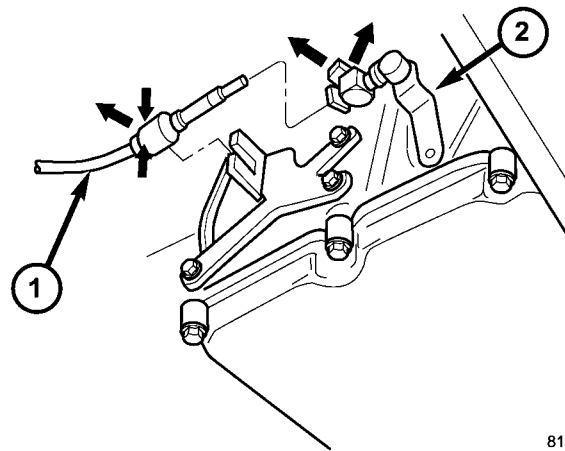
- 1 - TORQUE CONVERTER ACCESS COVER
- 2 - BOLT



810b77d1

Fig. 70 Install Steering Gear

- 1 - STEERING GEAR
- 2 - BRACKET



810b77ba

Fig. 72 Shift Cable at Transmission

- 1 - SHIFT CABLE
- 2 - TRANSMISSION SHIFT LEVER

(14) Install the transmission electrical connector (2) (Fig. 71) from transmission and hang to the side. Turn sealing ring (3) clockwise and connect plug connection (2).

(15) Install the shift cable (Fig. 72) to the transmission.

(a) Push shift cable onto the transmission shift lever ball socket.

(b) Latch ball socket latch of cable.

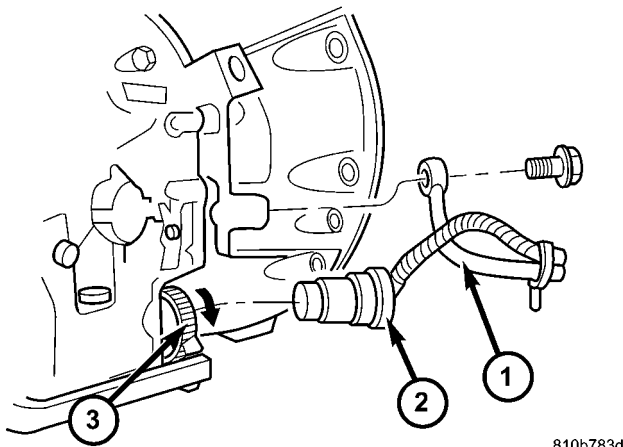
(c) Clip shift cable retainer into retainer bracket.

(16) Install the cooler lines to the transmission.

(a) Install the brackets for the oil cooler feed and return lines (1) (Fig. 73) onto the engine oil pan flange. Detail shows right side of motor. Position is mirrored for the left side of engine.

(b) Attach the bracket for the cable retainer (4) (Fig. 74) to the threaded shank of a engine oil pan bolt (5).

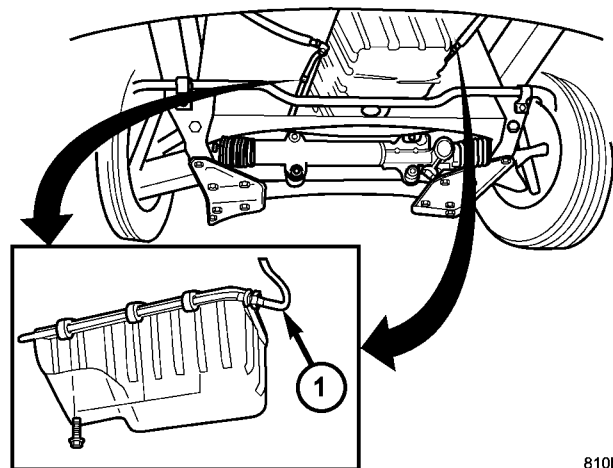
(c) Install the bolts to hold the oil cooler lines (6) to the left (Fig. 75) and right sides of transmission. Torque the bolts to 34 N·m (25 ft.lbs.).



810b783d

Fig. 71 Transmission Electrical Connector and Cooler Line

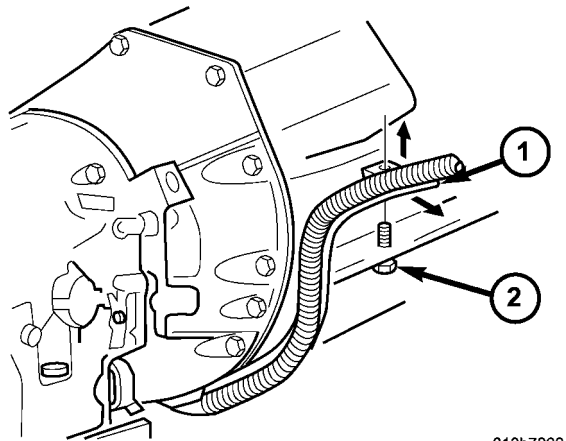
- 1 - COOLER LINE
- 2 - TRANSMISSION ELECTRICAL CONNECTOR
- 3 - SEALING RING



810b786d

Fig. 73 Cooler Line Supports

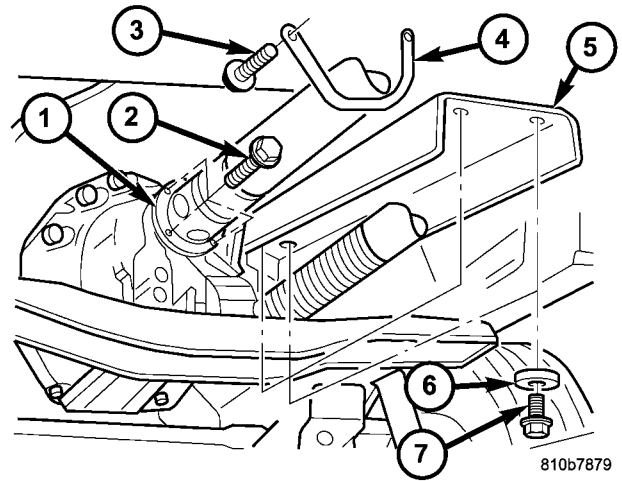
- 1 - COOLER LINES



810b7866

Fig. 74 Cable Support

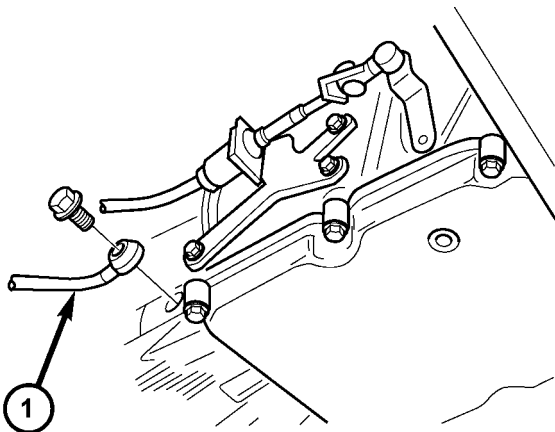
- 1 - CABLE
- 2 - BOLT



810b7879

Fig. 76 Propeller Shaft and Heat Shield

- 1 - PROPELLER SHAFT
- 2 - BOLT
- 3 - BOLT
- 4 - RETAINING BRACKET
- 5 - HEAT SHIELD
- 6 - WASHER
- 7 - BOLT



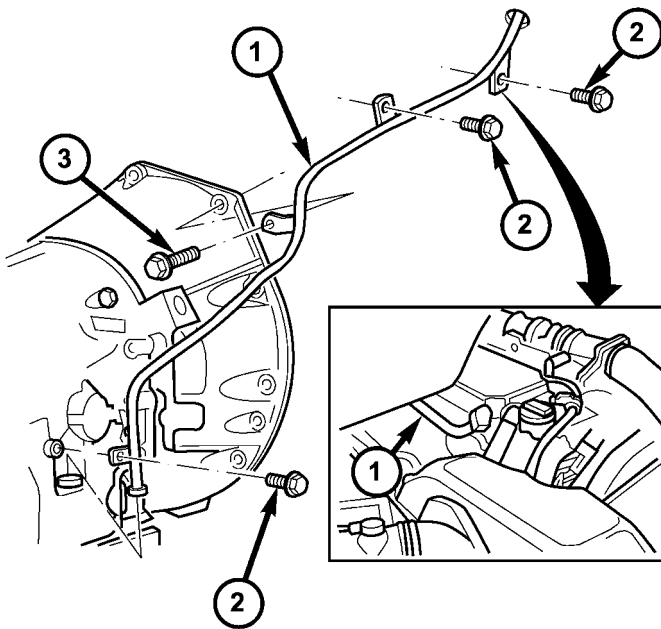
810b7874

Fig. 75 Driver's Side Cooler Line

- 1 - COOLER LINE

- (17) Install exhaust heat shield (5) (Fig. 76).
- (18) Install retaining bracket (4) (Fig. 76). Bracket is asymmetric. The slanted side must be installed on the left side in the direction of travel.
- (19) Attach propeller shaft (1) (Fig. 76) to the transmission (Refer to 3 - DIFFERENTIAL & DRIVELINE/PROPELLER SHAFT/PROPELLER SHAFT - INSTALLATION).

- (20) Install oil filler pipe.
 - (a) Guide oil filler pipe (1) (Fig. 77) down and into position.
 - (b) Push lower connection of oil filler pipe (1) (Fig. 77) into the fill hole in the side of the transmission housing.
 - (c) Install bolts (2) (Fig. 77) to cylinder head. Tighten the bolts to 8 N·m (71 in.lbs.).
 - (d) Install bolt (3) (Fig. 77) to transmission flange and bolt (2) to transmission housing. Tighten the bolt to 8 N·m (71 in.lbs.).

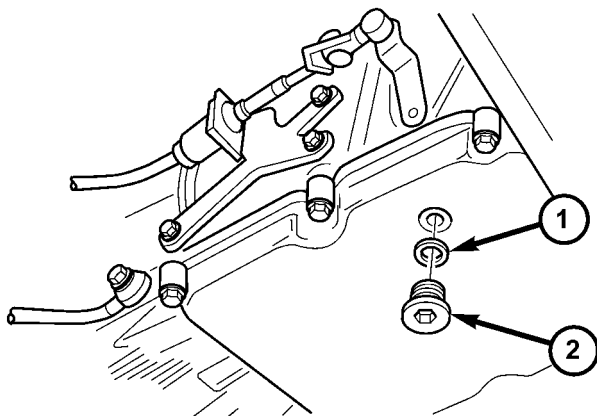


810b77c5

Fig. 77 Fill Tube

- 1 - FILL TUBE
 2 - BOLTS TO CYLINDER HEAD AND TRANSMISSION HOUSING
 3 - BOLT TO TRANSMISSION FLANGE

(21) Install the oil drain plug (2) (Fig. 78) with a new seal into the transmission oil pan. Tighten the drain plug to 20 N·m (14.5 ft.lbs.).



810b787d

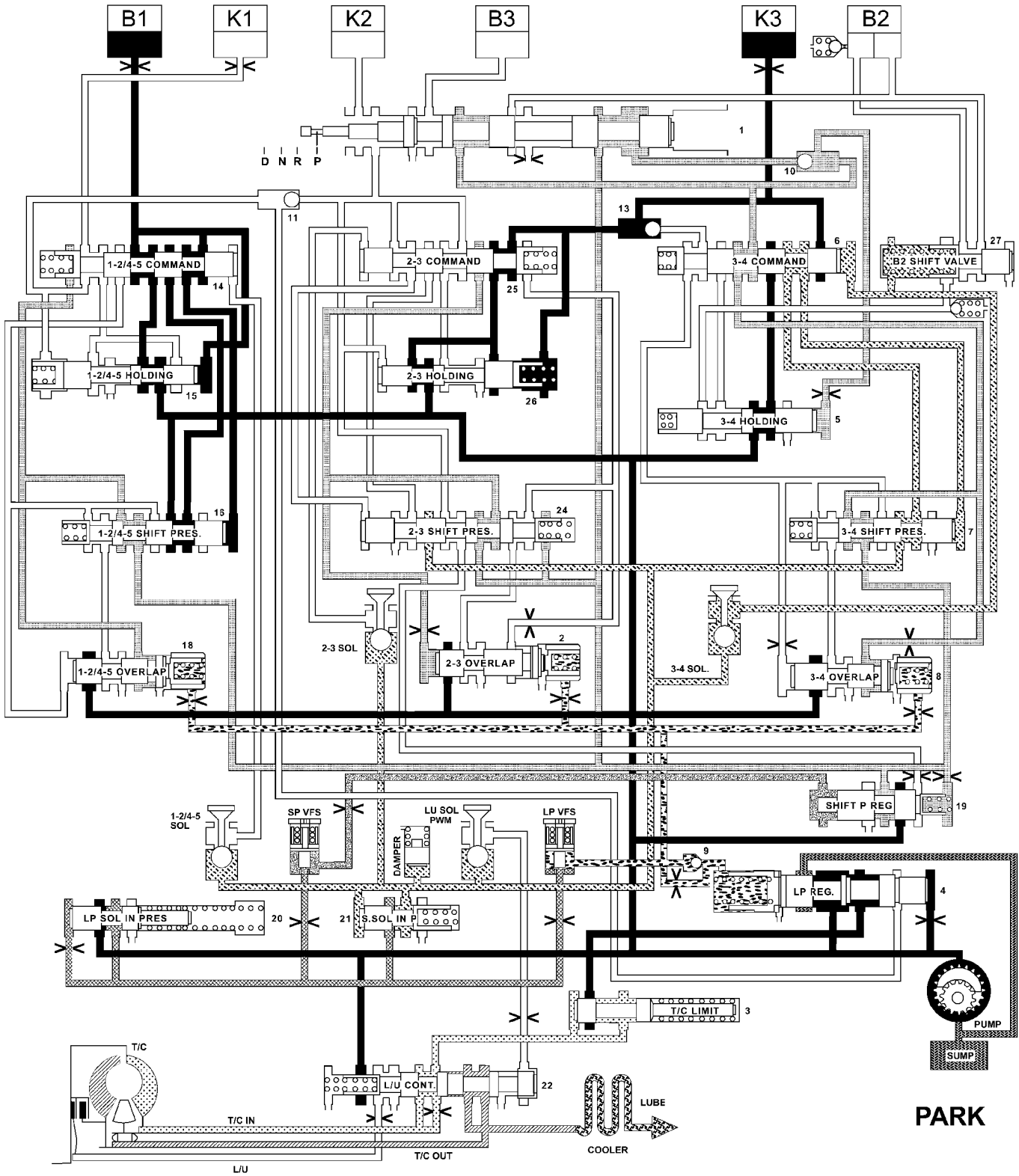
Fig. 78 Oil Drain Plug

- 1 - SEAL
 2 - DRAIN PLUG

(22) Lower vehicle and fill transmission with correct automatic transmission fluid (Refer to 21 - TRANSMISSION/AUTOMATIC - NAG1/FLUID AND FILTER - STANDARD PROCEDURE).

(23) Road test the vehicle and verify the repair.

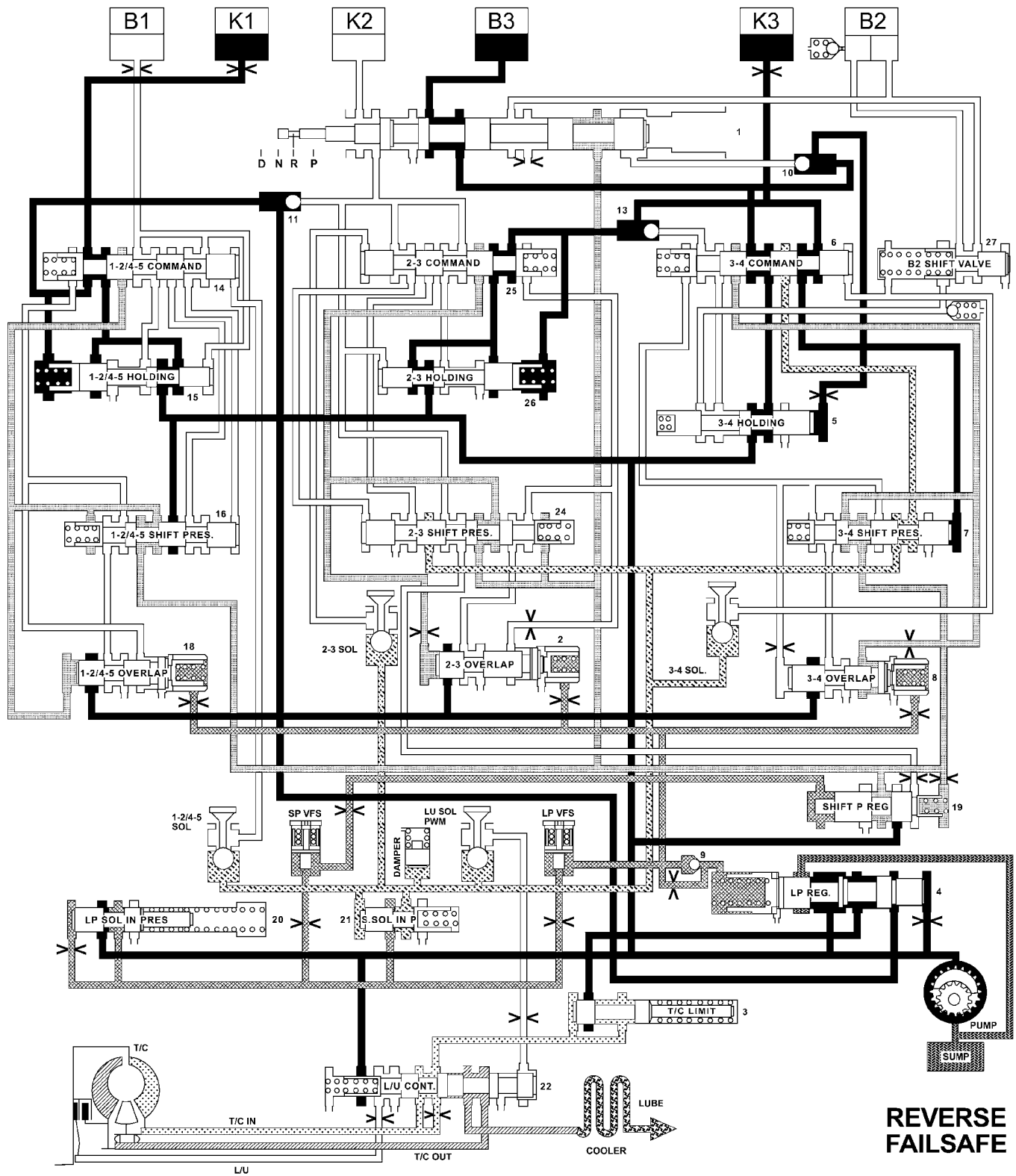
SCHEMATICS AND DIAGRAMS



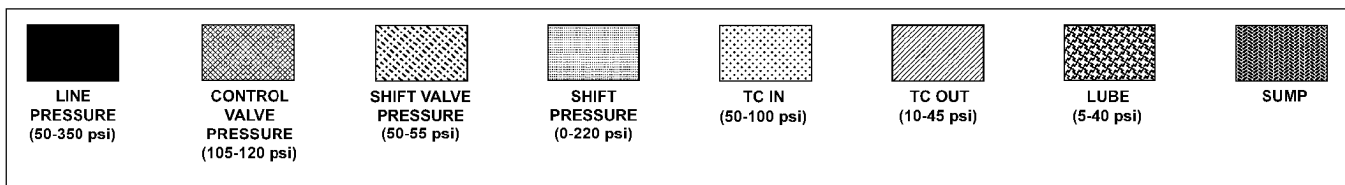
LINE PRESSURE (50-350 psi)	CONTROL VALVE PRESSURE (105-120 psi)	SHIFT VALVE PRESSURE (50-55 psi)	SHIFT PRESSURE (0-220 psi)	TC IN (50-100 psi)	TC OUT (10-45 psi)	MODULATING PRESSURE (0-120 psi)	LUBE (5-40 psi)	SHIFT PRESSURE/ CONTROL SOLENOID VALVE (0-120 psi)	SUMP

810baf1a

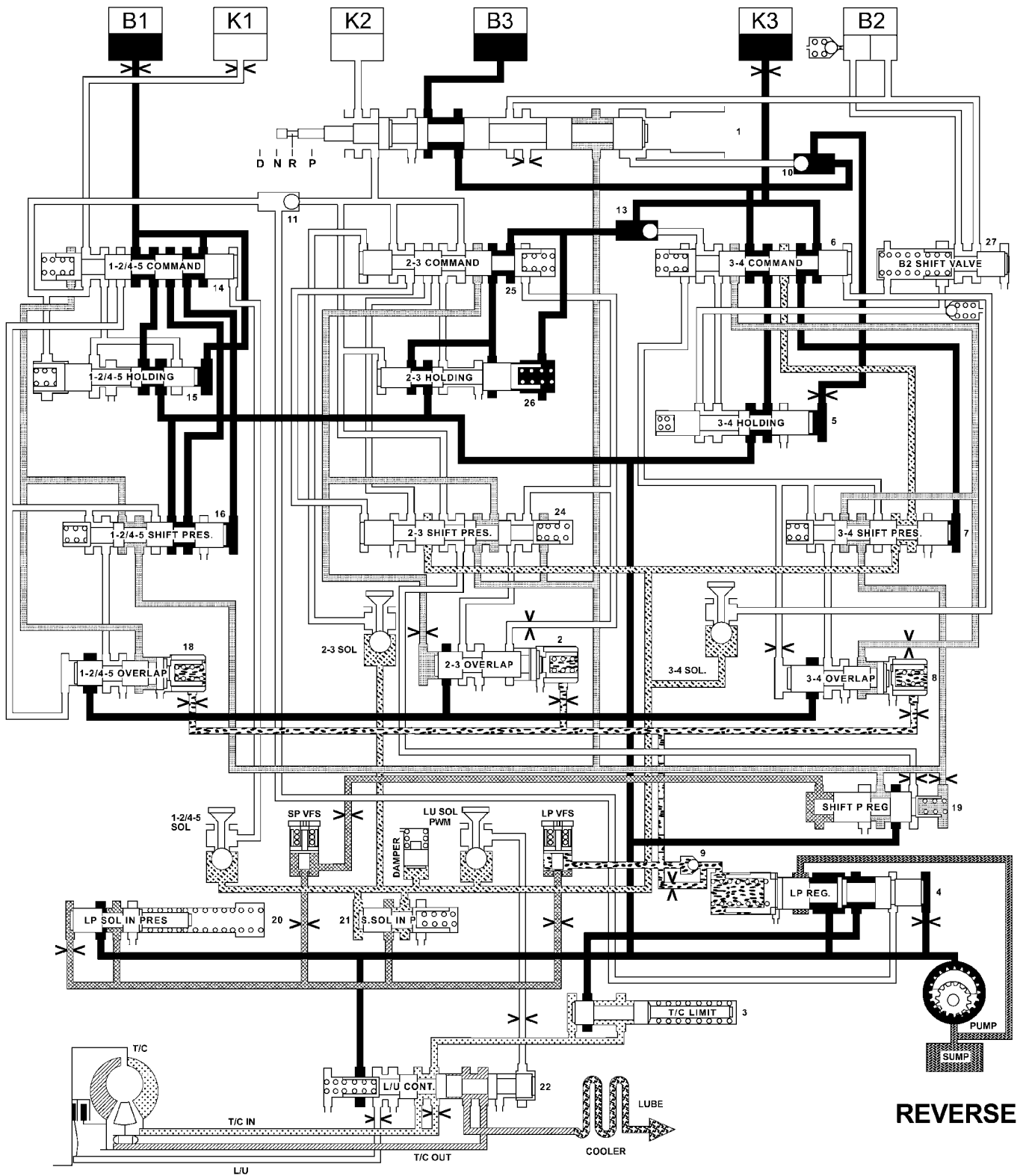
HYDRAULIC FLOW IN PARK



REVERSE FAILSAFE



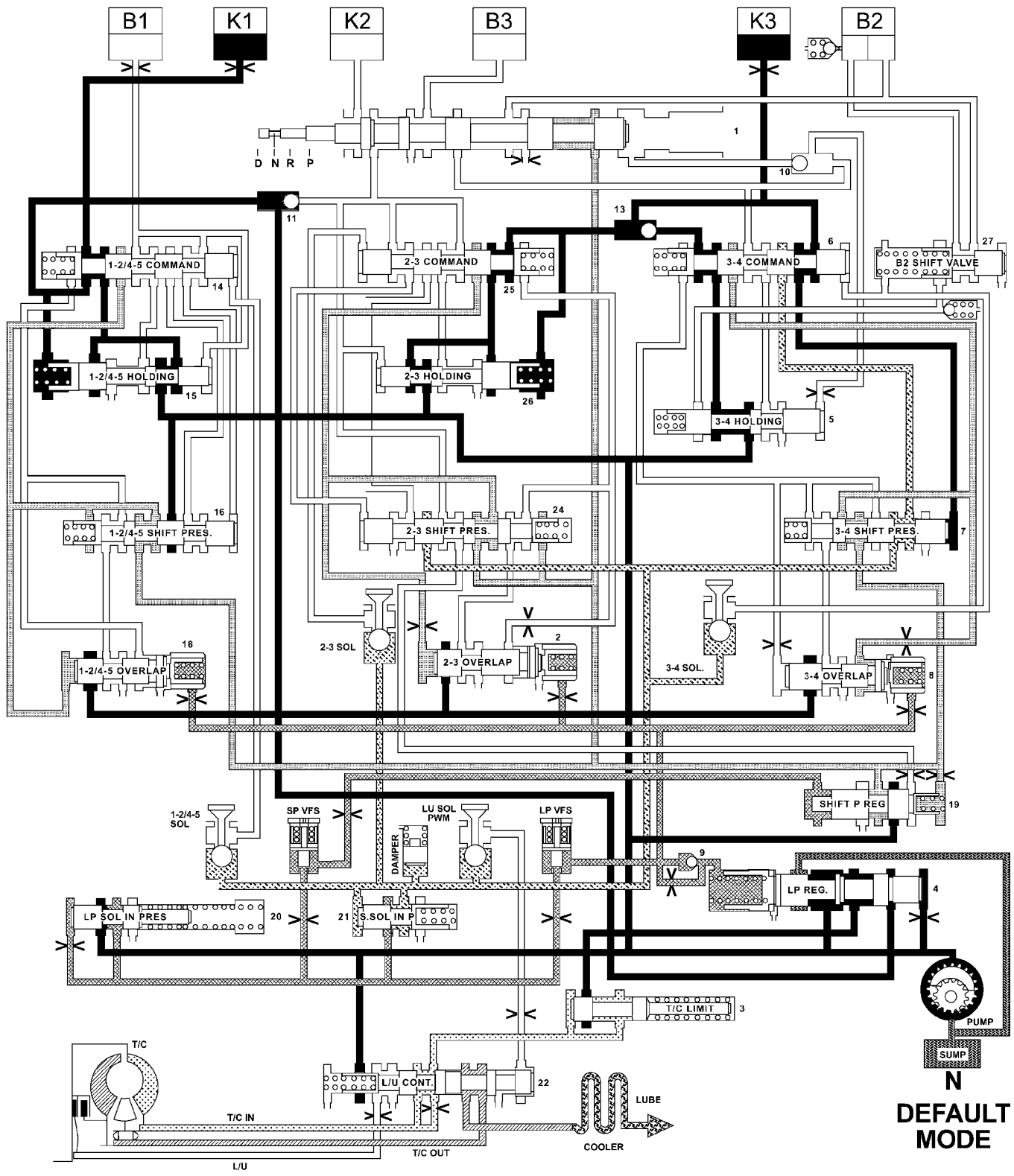
HYDRAULIC FLOW IN REVERSE - FAILSAFE



REVERSE

LINE PRESSURE (50-350 psi)	CONTROL VALVE PRESSURE (105-120 psi)	SHIFT VALVE PRESSURE (50-55 psi)	SHIFT PRESSURE (0-220 psi)	TC IN (50-100 psi)	TC OUT (10-45 psi)	MODULATING PRESSURE (0-120 psi)	LUBE (5-40 psi)	SUMP

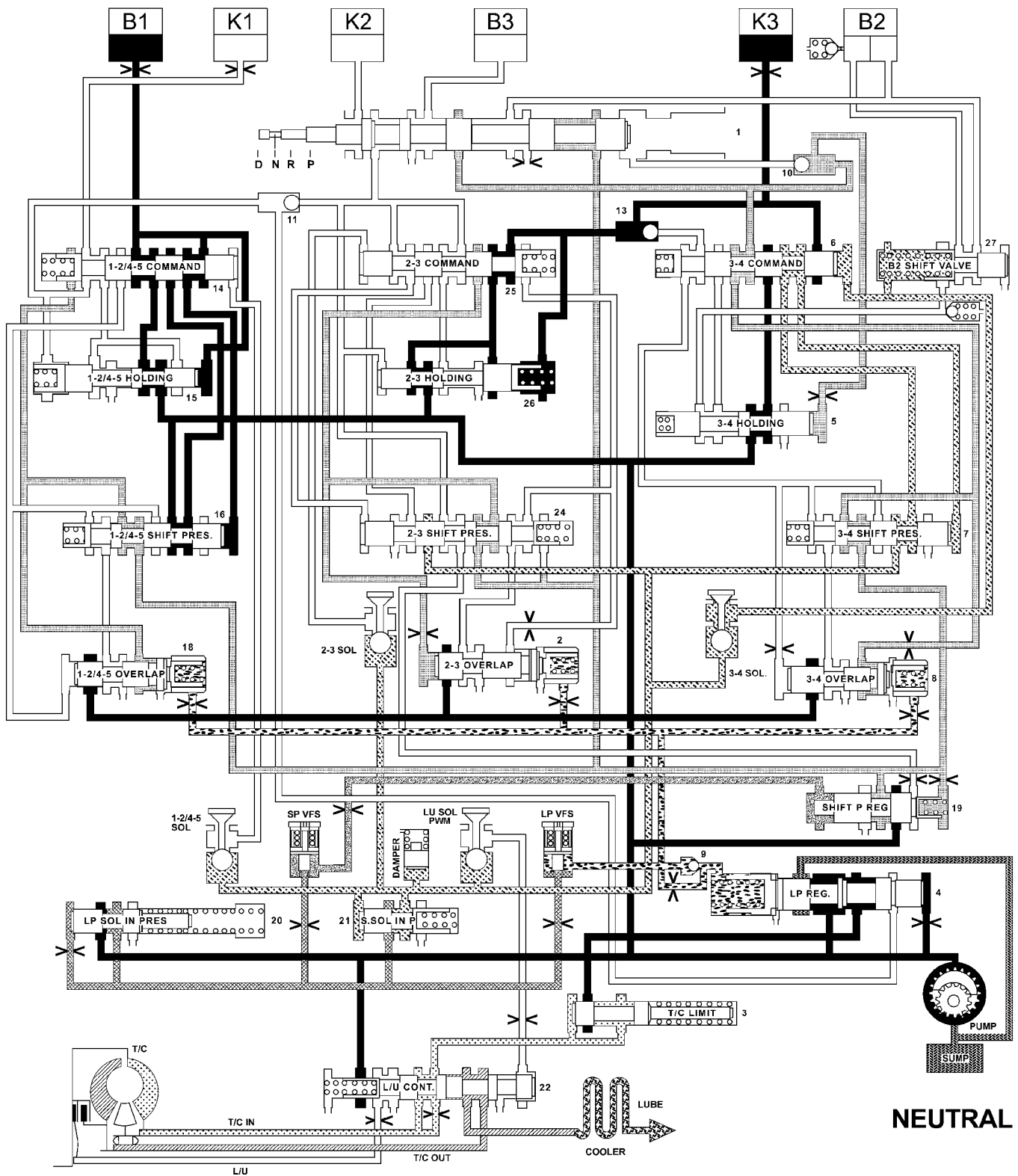
HYDRAULIC FLOW IN REVERSE



N
DEFAULT
MODE

LINE PRESSURE (50-350 psi)	CONTROL VALVE PRESSURE (105-120 psi)	SHIFT VALVE PRESSURE (50-55 psi)	SHIFT PRESSURE (0-220 psi)	TC IN (50-100 psi)	TC OUT (10-45 psi)	LUBE (5-40 psi)	SUMP

HYDRAULIC FLOW IN NEUTRAL - DEFAULT

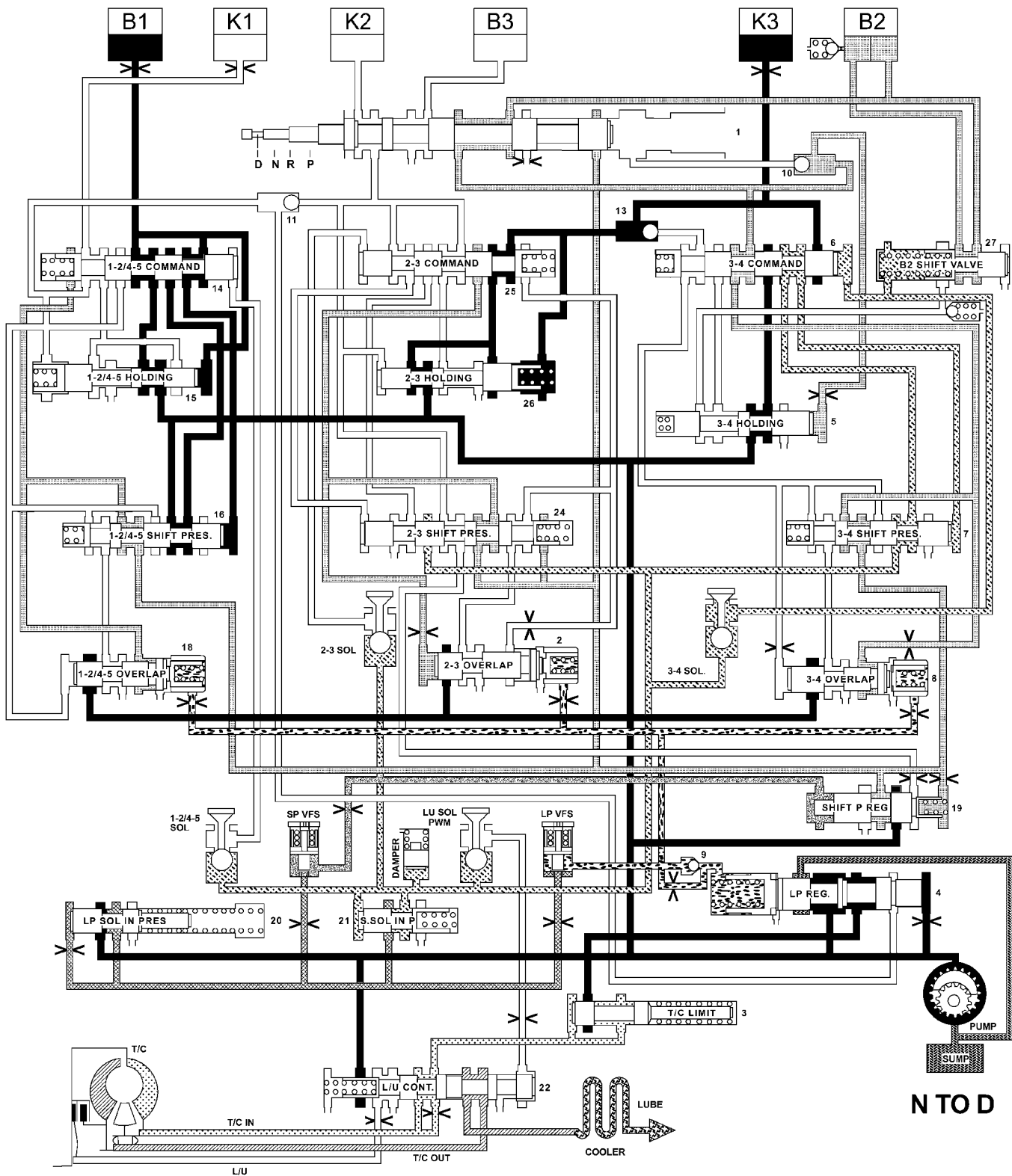


NEUTRAL

LINE PRESSURE (50-350 psi)	CONTROL VALVE PRESSURE (105-120 psi)	SHIFT VALVE PRESSURE (50-55 psi)	SHIFT PRESSURE (0-220 psi)	TC IN (50-100 psi)	TC OUT (10-45 psi)	MODULATING PRESSURE (0-120 psi)	LUBE (5-40 psi)	SHIFT PRESSURE/CONTROL SOLENOID VALVE (0-120 psi)	SUMP

810ba59

HYDRAULIC FLOW IN NEUTRAL

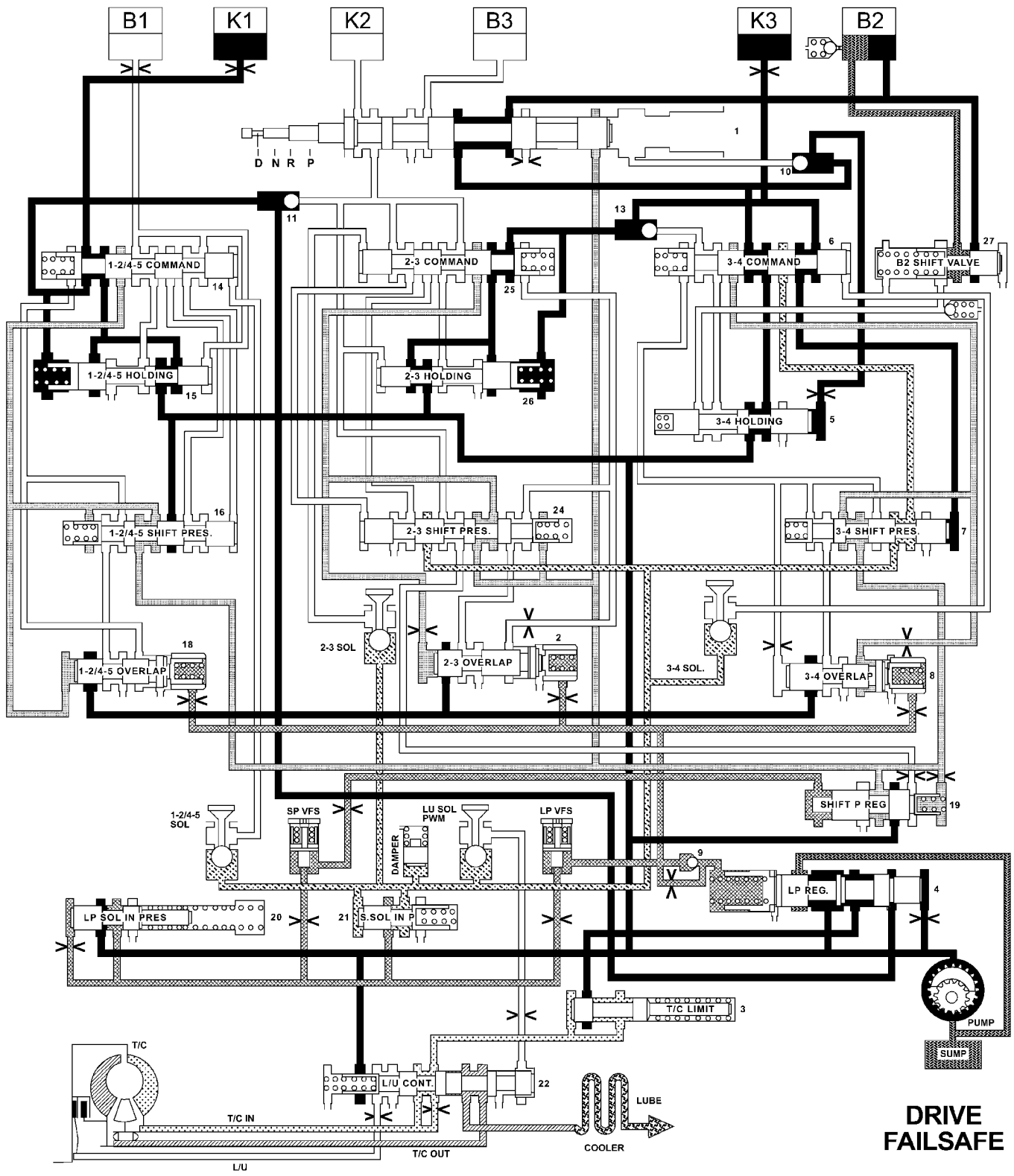


N T O D

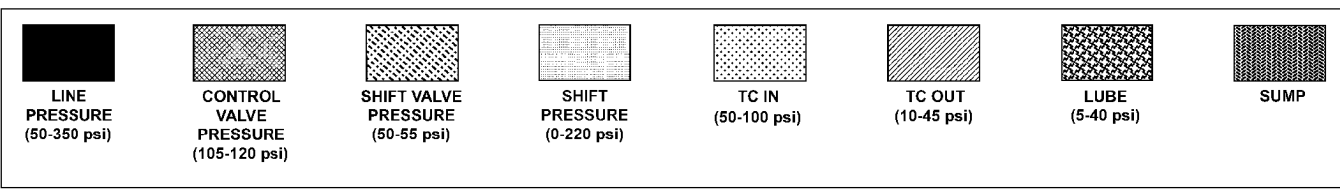
LINE PRESSURE (50-350 psi)	CONTROL VALVE PRESSURE (105-120 psi)	SHIFT VALVE PRESSURE (50-55 psi)	SHIFT PRESSURE (0-220 psi)	TC IN (50-100 psi)	TC OUT (10-45 psi)	MODULATING PRESSURE (0-120 psi)	LUBE PRESSURE (5-40 psi)	SHIFT PRESSURE/CONTROL SOLENOID VALVE (0-120 psi)	SUMP

810ba180

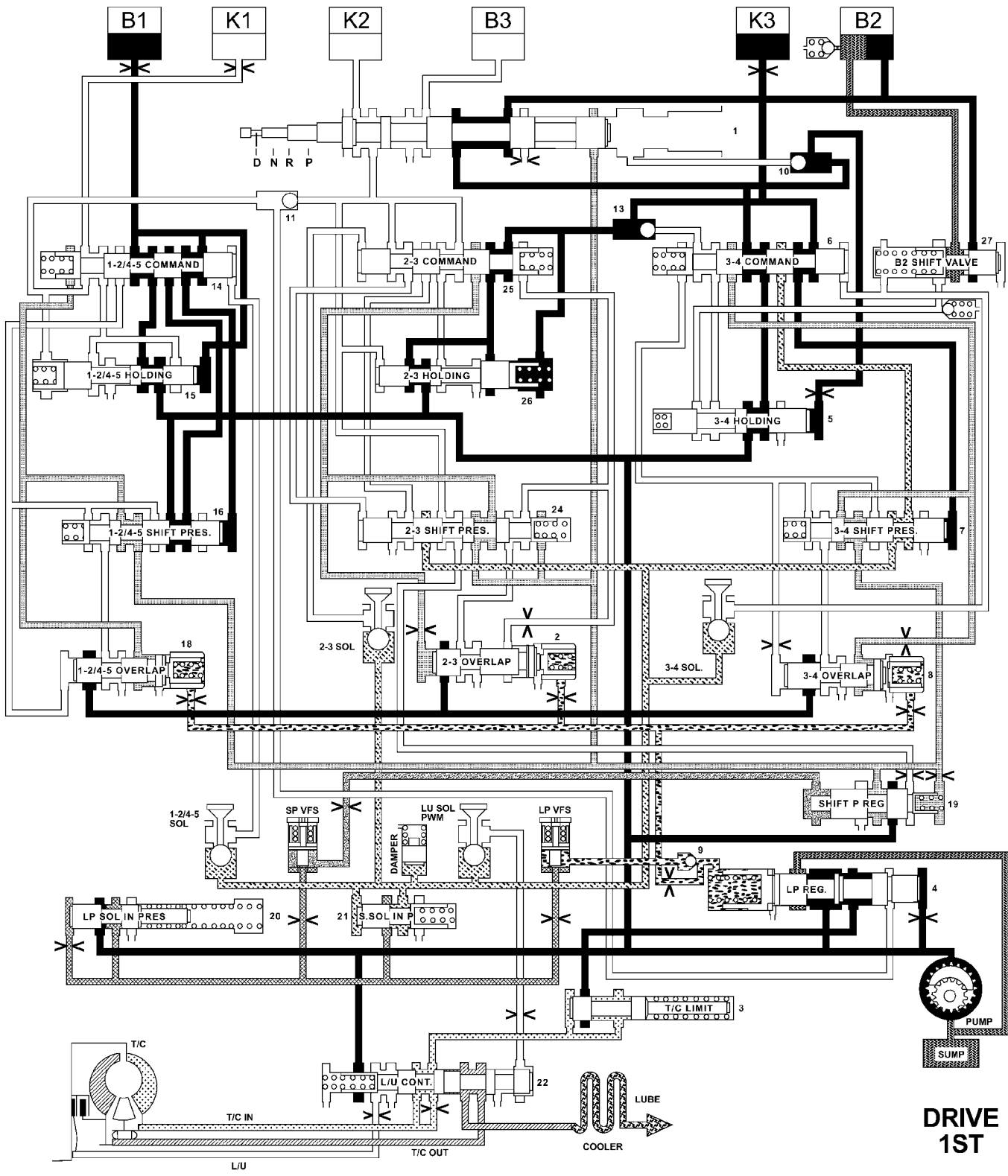
HYDRAULIC FLOW IN NEUTRAL TO DRIVE TRANSITION



DRIVE FAILSAFE



HYDRAULIC FLOW IN DRIVE - FAILSAFE

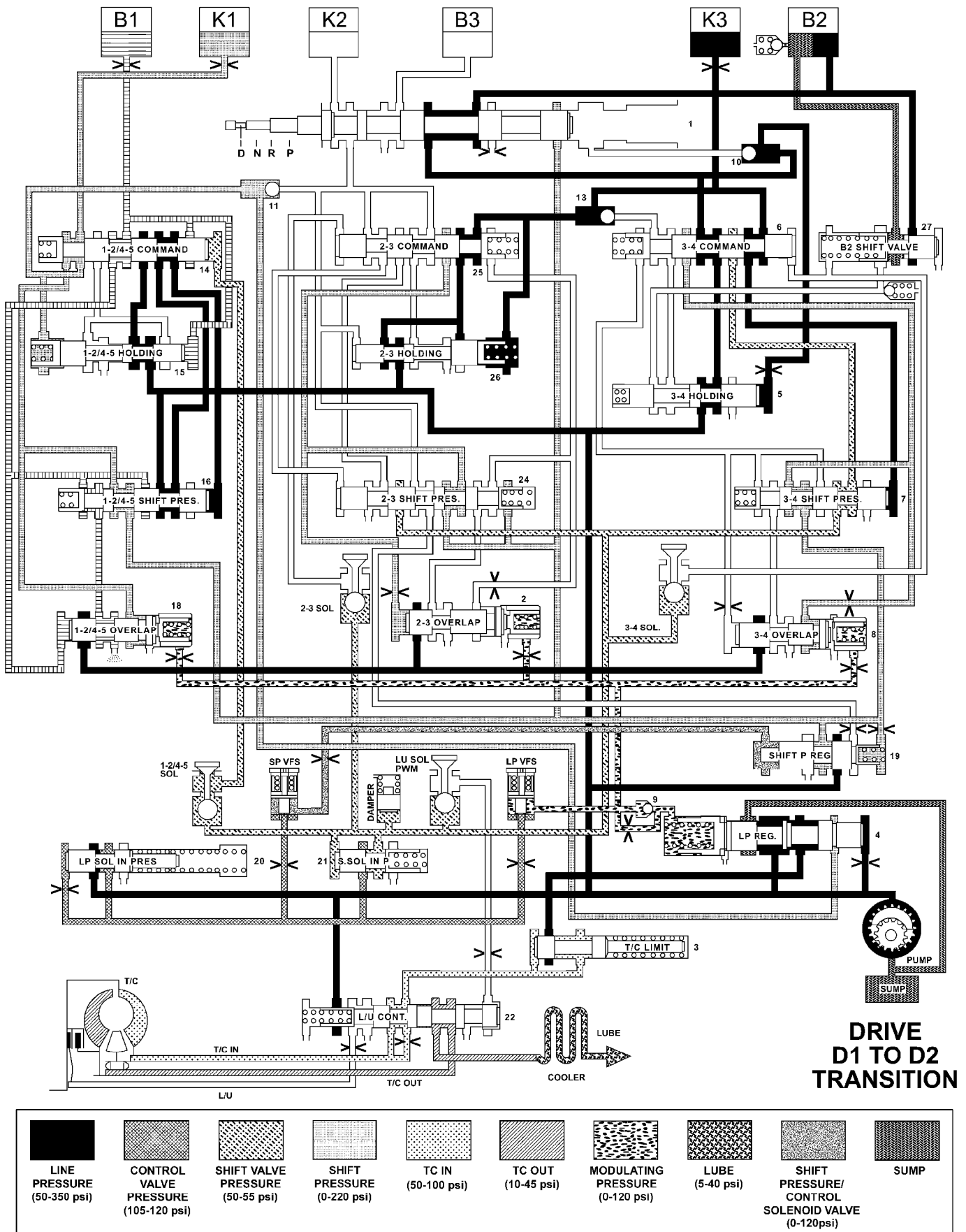


**DRIVE
1ST**

LINE PRESSURE (50-350 psi)	CONTROL VALVE PRESSURE (105-120 psi)	SHIFT VALVE PRESSURE (50-55 psi)	SHIFT PRESSURE (0-220 psi)	TC IN (50-100 psi)	TC OUT (10-45 psi)	MODULATING PRESSURE (0-120 psi)	LUBE PRESSURE (5-40 psi)	SHIFT PRESSURE/CONTROL SOLENOID VALVE (0-120 psi)	SUMP

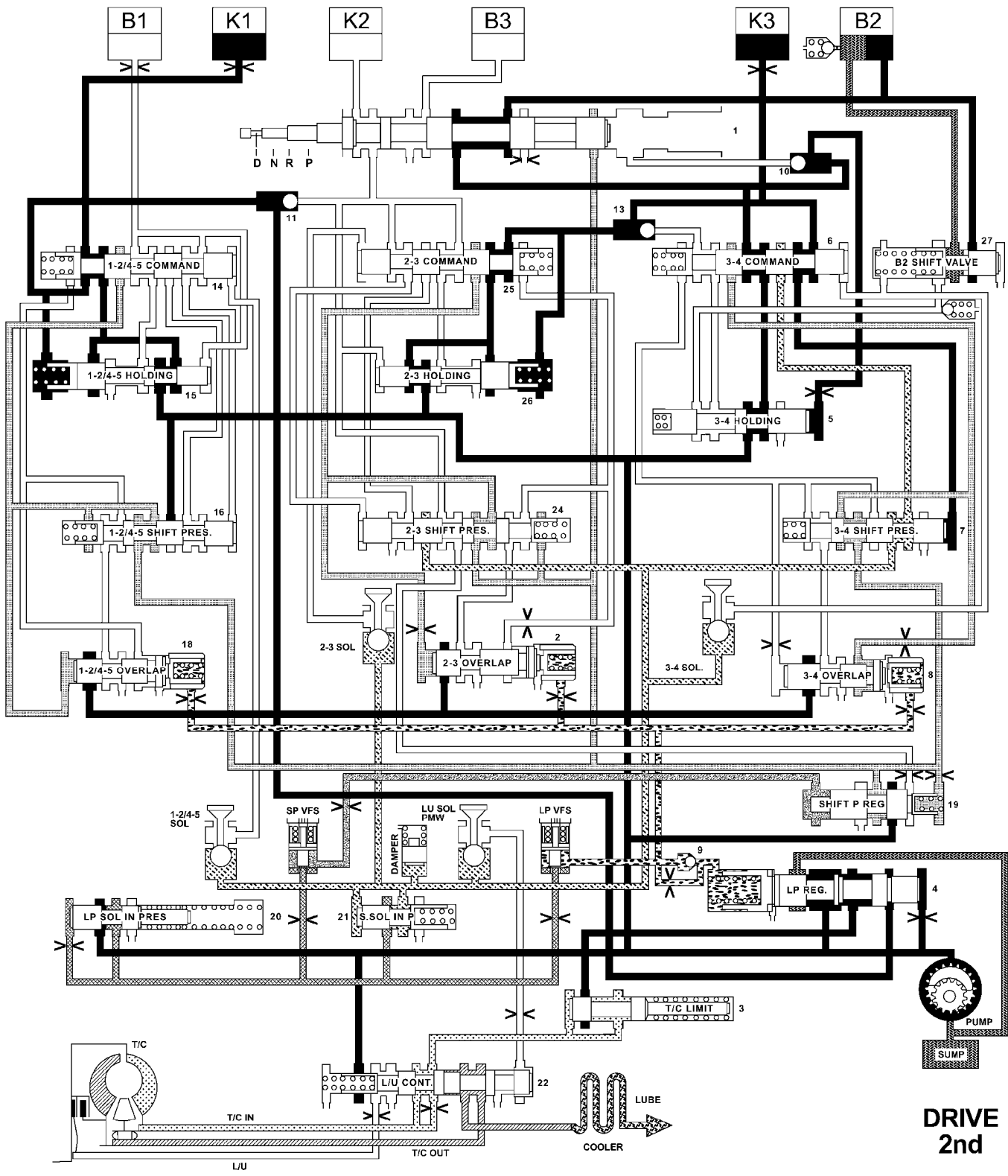
810ba9b

HYDRAULIC FLOW IN DRIVE - FIRST GEAR



810bafa9

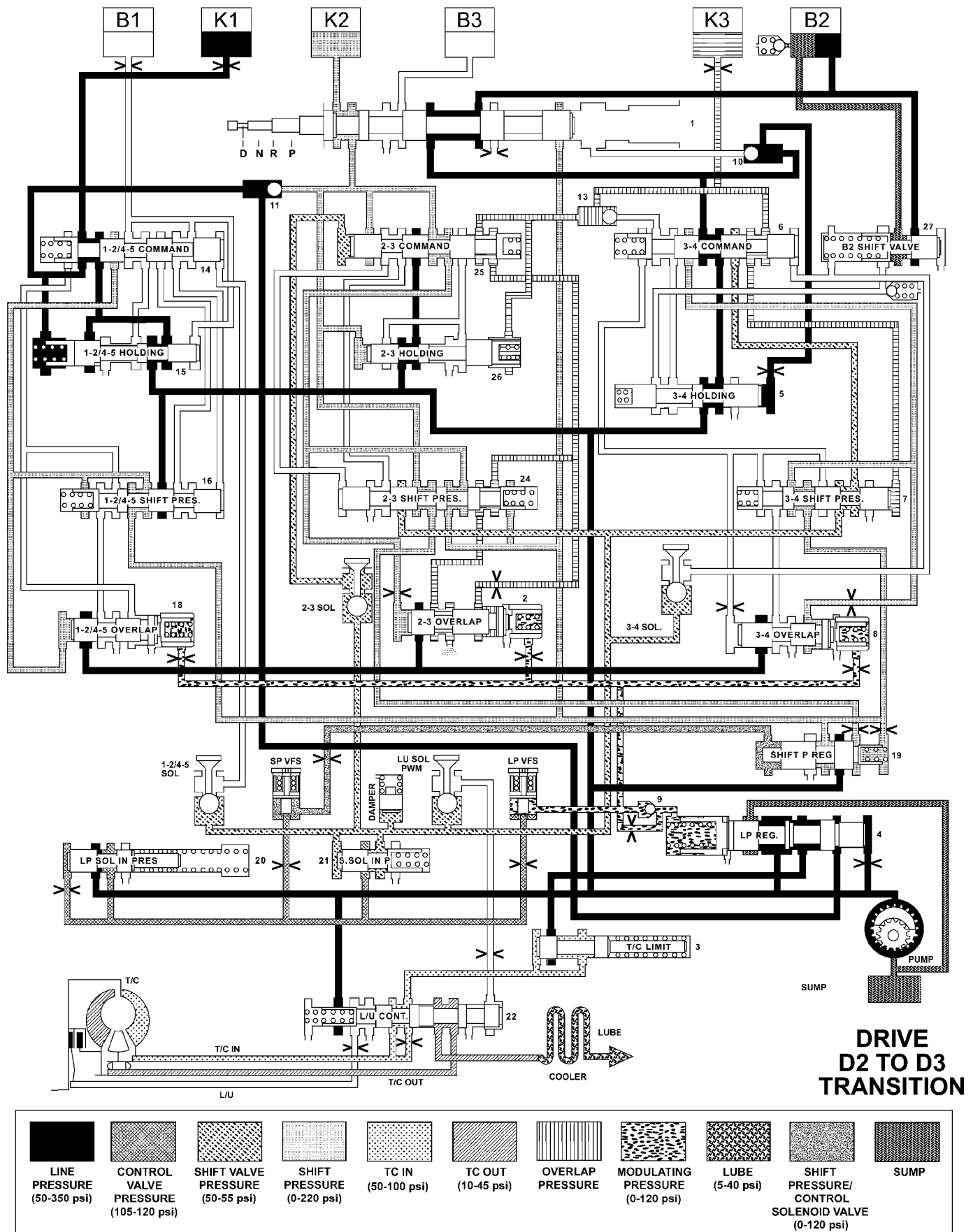
HYDRAULIC FLOW IN DRIVE - FIRST TO SECOND GEAR TRANSITION



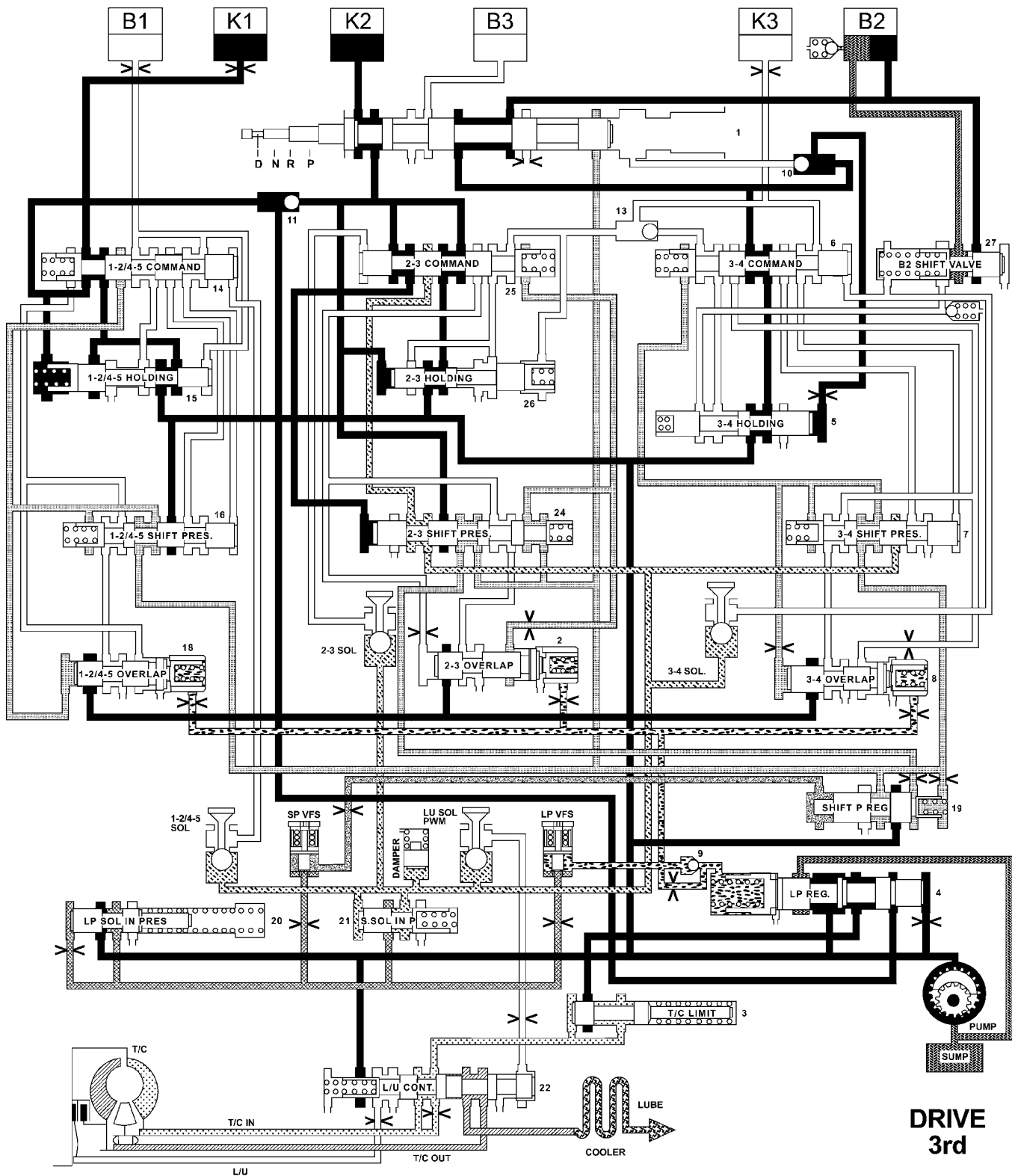
LINE PRESSURE (50-350 psi)	CONTROL VALVE PRESSURE (105-120 psi)	SHIFT VALVE PRESSURE (50-55 psi)	SHIFT PRESSURE (0-220 psi)	TC IN (50-100 psi)	TC OUT (10-45 psi)	MODULATING PRESSURE (0-120 psi)	LUBE (5-40 psi)	SHIFT PRESSURE/CONTROL SOLENOID VALVE (0-120 psi)	SUMP

810baf9

HYDRAULIC FLOW IN DRIVE - SECOND GEAR



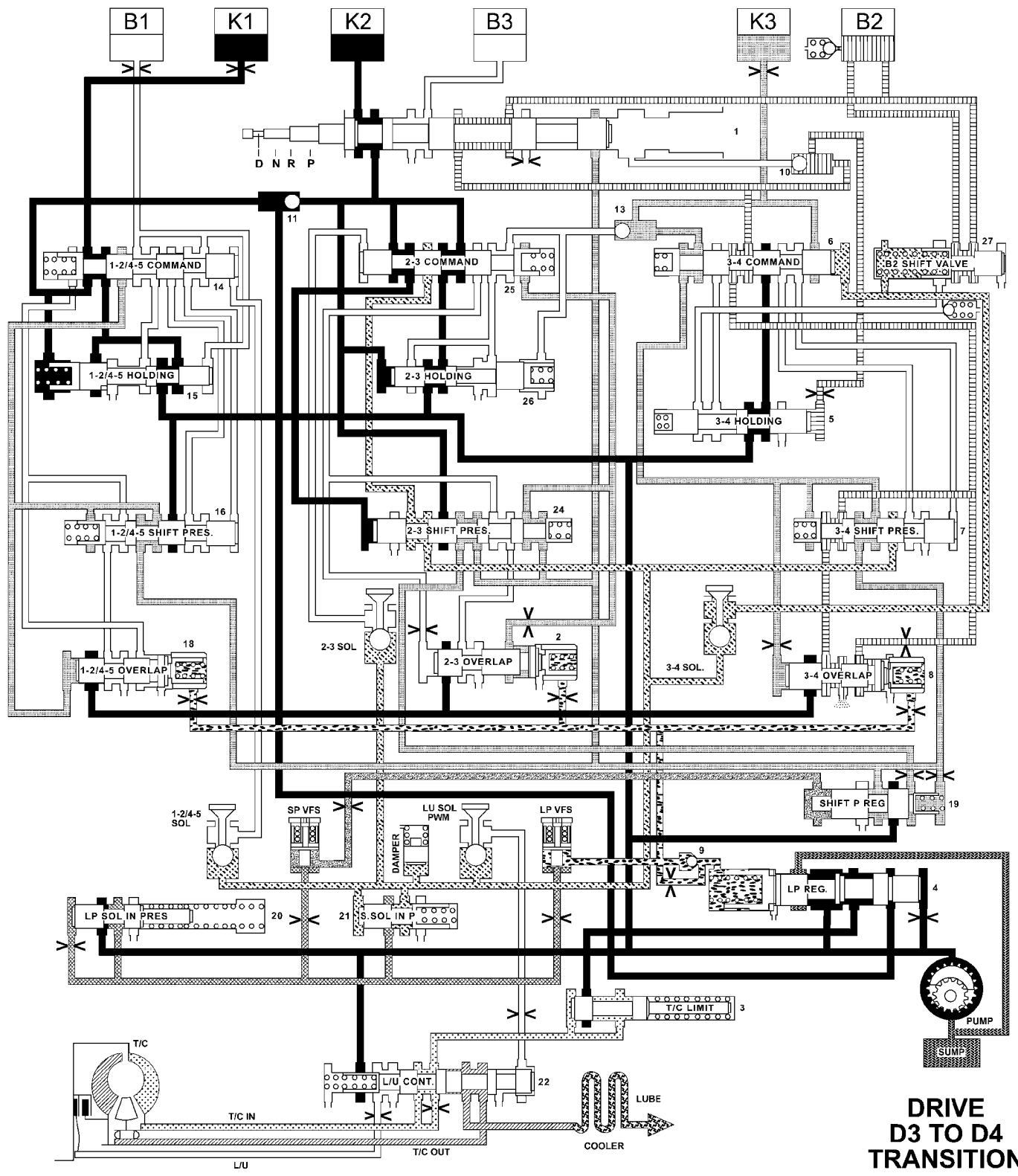
HYDRAULIC FLOW IN DRIVE - SECOND TO THIRD GEAR TRANSITION



LINE PRESSURE (50-350 psi)	CONTROL VALVE PRESSURE (105-120 psi)	SHIFT VALVE PRESSURE (50-55 psi)	SHIFT PRESSURE (0-220 psi)	TC IN (50-100 psi)	TC OUT (10-45 psi)	MODULATING PRESSURE (0-120 psi)	LUBE PRESSURE (5-40 psi)	SHIFT PRESSURE/CONTROL SOLENOID VALVE (0-120 psi)	SUMP

810bb0bb

HYDRAULIC FLOW IN DRIVE - THIRD GEAR

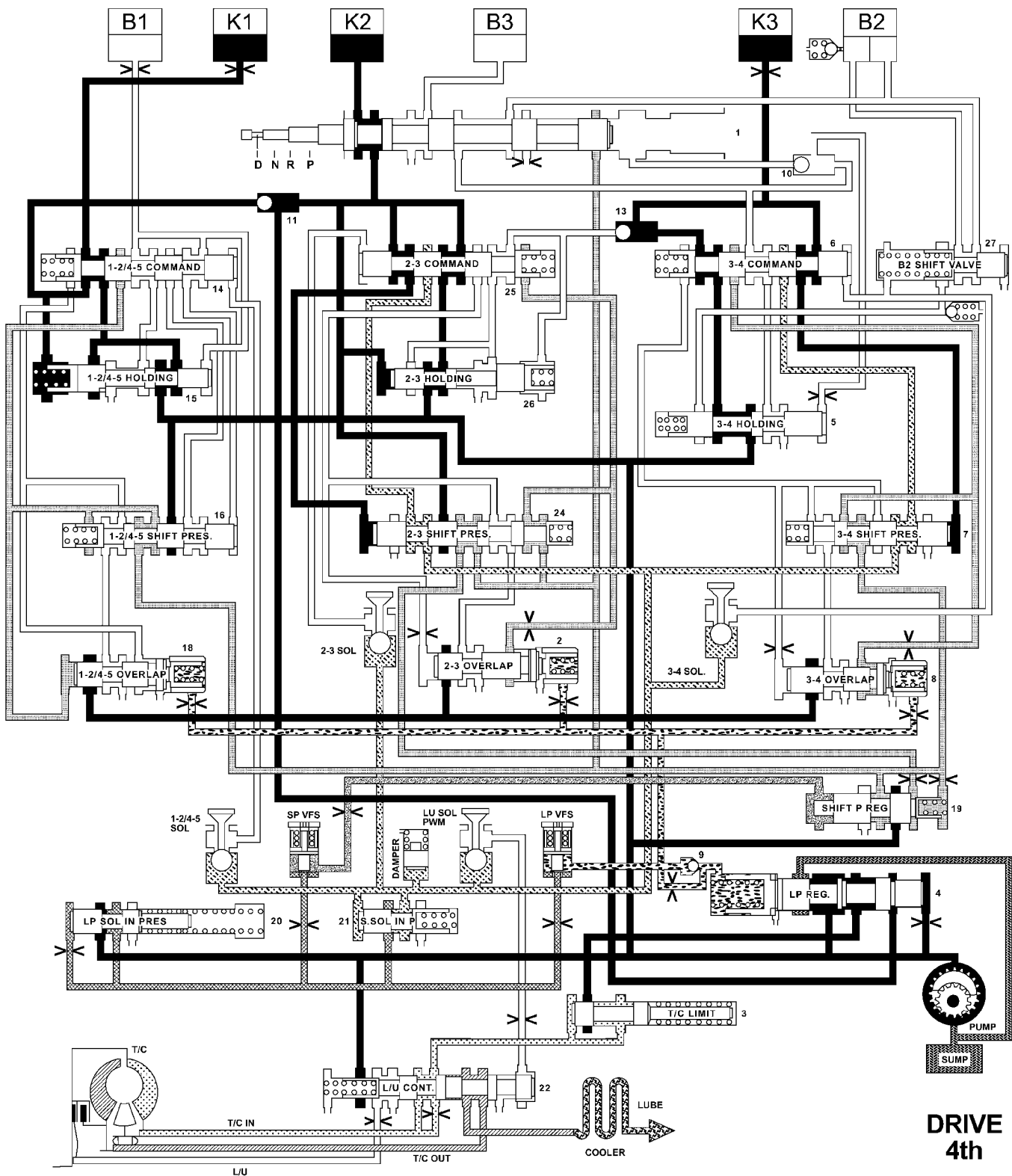


**DRIVE
D3 TO D4
TRANSITION**

LINE PRESSURE (50-350 psi)	CONTROL VALVE PRESSURE (105-120 psi)	SHIFT VALVE PRESSURE (50-55 psi)	SHIFT PRESSURE (0-220 psi)	TC IN (50-100 psi)	TC OUT (10-45 psi)	OVERLAP PRESSURE	MODULATING PRESSURE (0-120 psi)	LUBE PRESSURE (5-40 psi)	SHIFT PRESSURE/ CONTROL SOLENOID VALVE (0-120 psi)	SUMP

810bb0e0

HYDRAULIC FLOW IN DRIVE - THIRD TO FOURTH GEAR TRANSITION

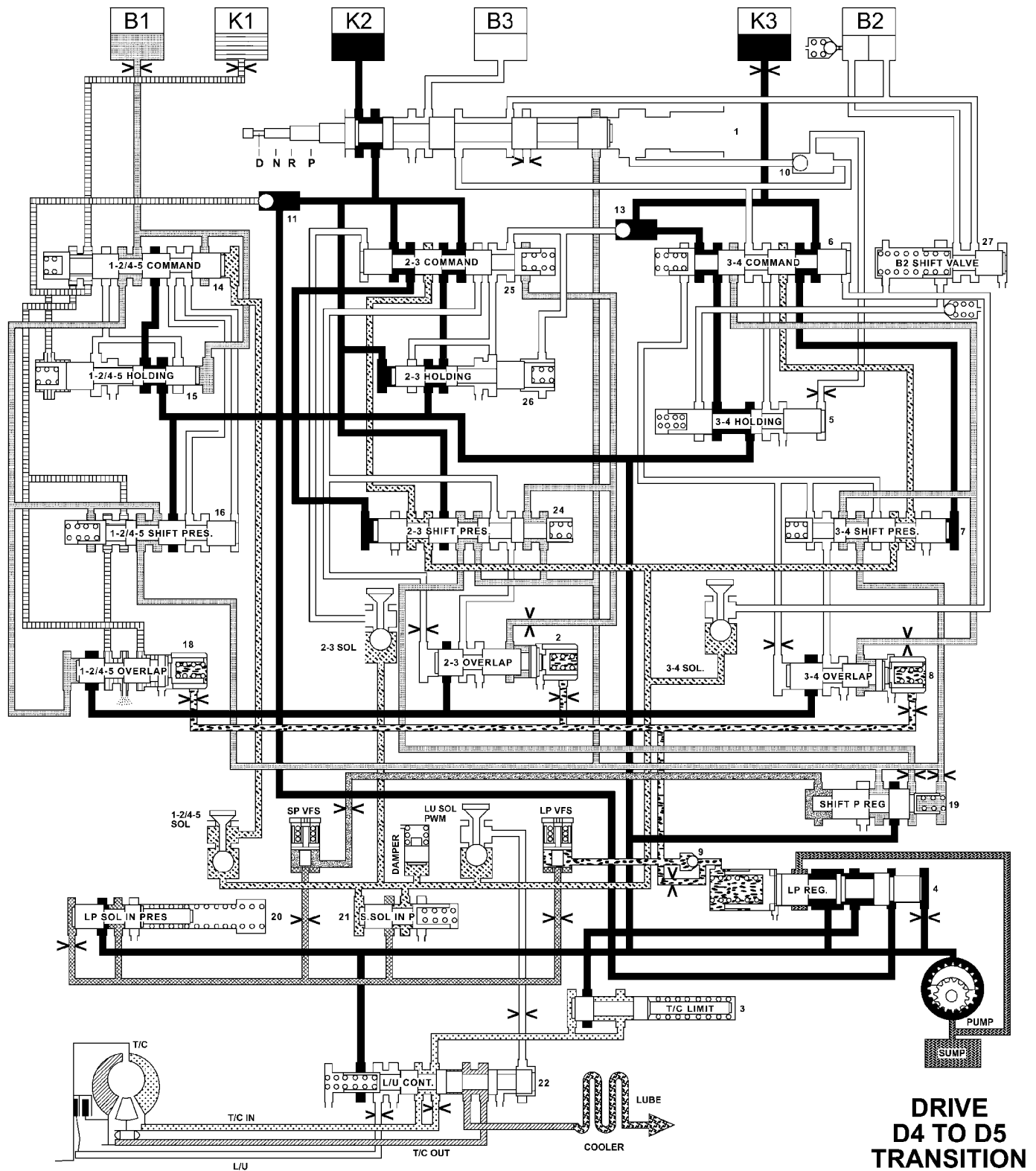


**DRIVE
4th**

LINE PRESSURE (50-350 psi)	CONTROL VALVE PRESSURE (105-120 psi)	SHIFT VALVE PRESSURE (50-55 psi)	SHIFT PRESSURE (0-220 psi)	TC IN (50-100 psi)	TC OUT (10-45 psi)	MODULATING PRESSURE (0-120 psi)	LUBE (5-40 psi)	SHIFT PRESSURE/ CONTROL SOLENOID VALVE (0-120 psi)	SUMP

810bb115

HYDRAULIC FLOW IN DRIVE - FOURTH GEAR

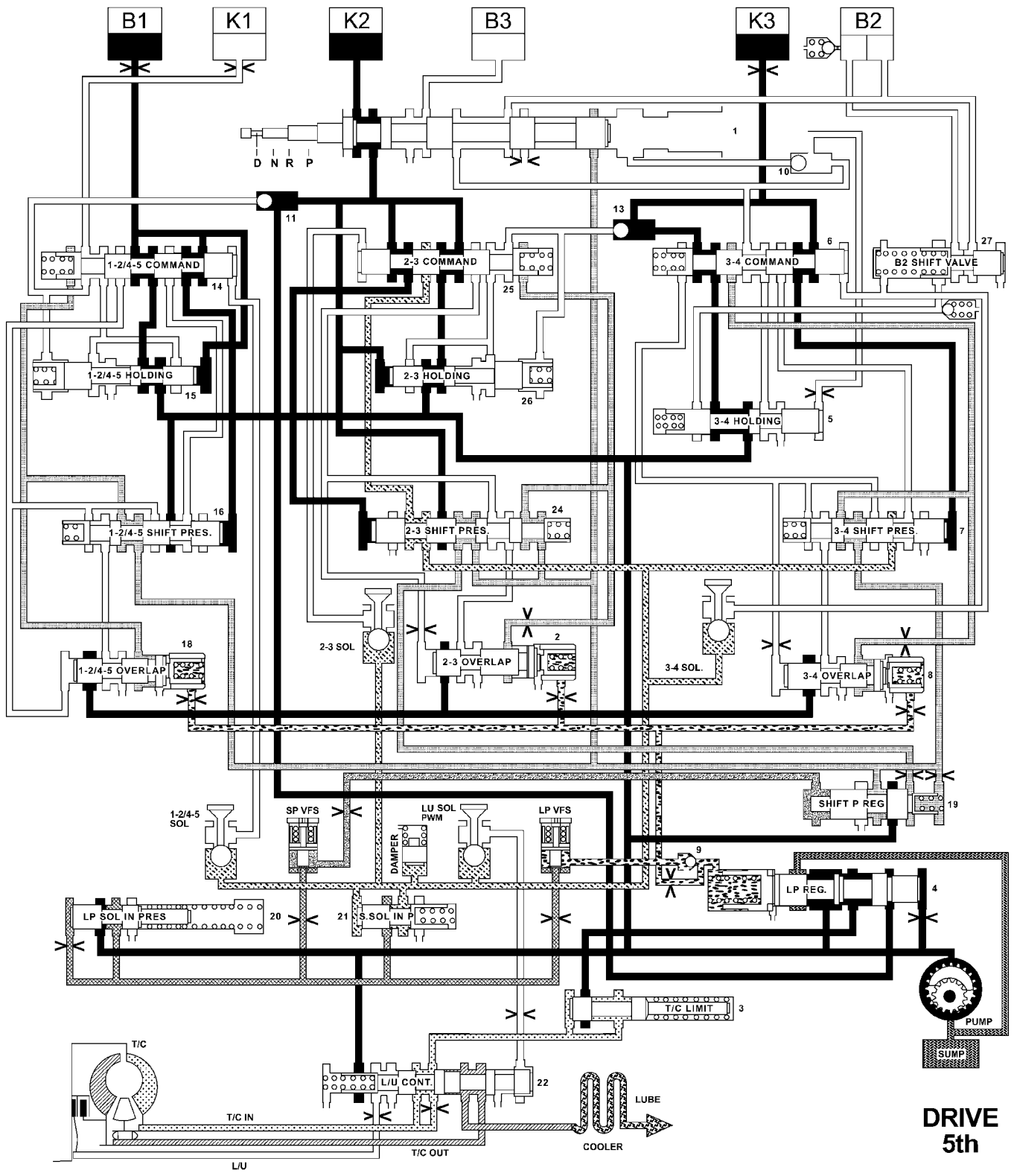


**DRIVE
D4 TO D5
TRANSITION**

LINE PRESSURE (50-350 psi)	CONTROL VALVE PRESSURE (105-120 psi)	SHIFT VALVE PRESSURE (50-55 psi)	SHIFT PRESSURE (0-220 psi)	TC IN (50-100 psi)	TC OUT (10-45 psi)	OVERLAP PRESSURE	MODULATING PRESSURE (0-120 psi)	LUBE (5-40 psi)	SHIFT PRESSURE/ CONTROL SOLENOID VALVE (0-120 psi)	SUMP

810bb20a

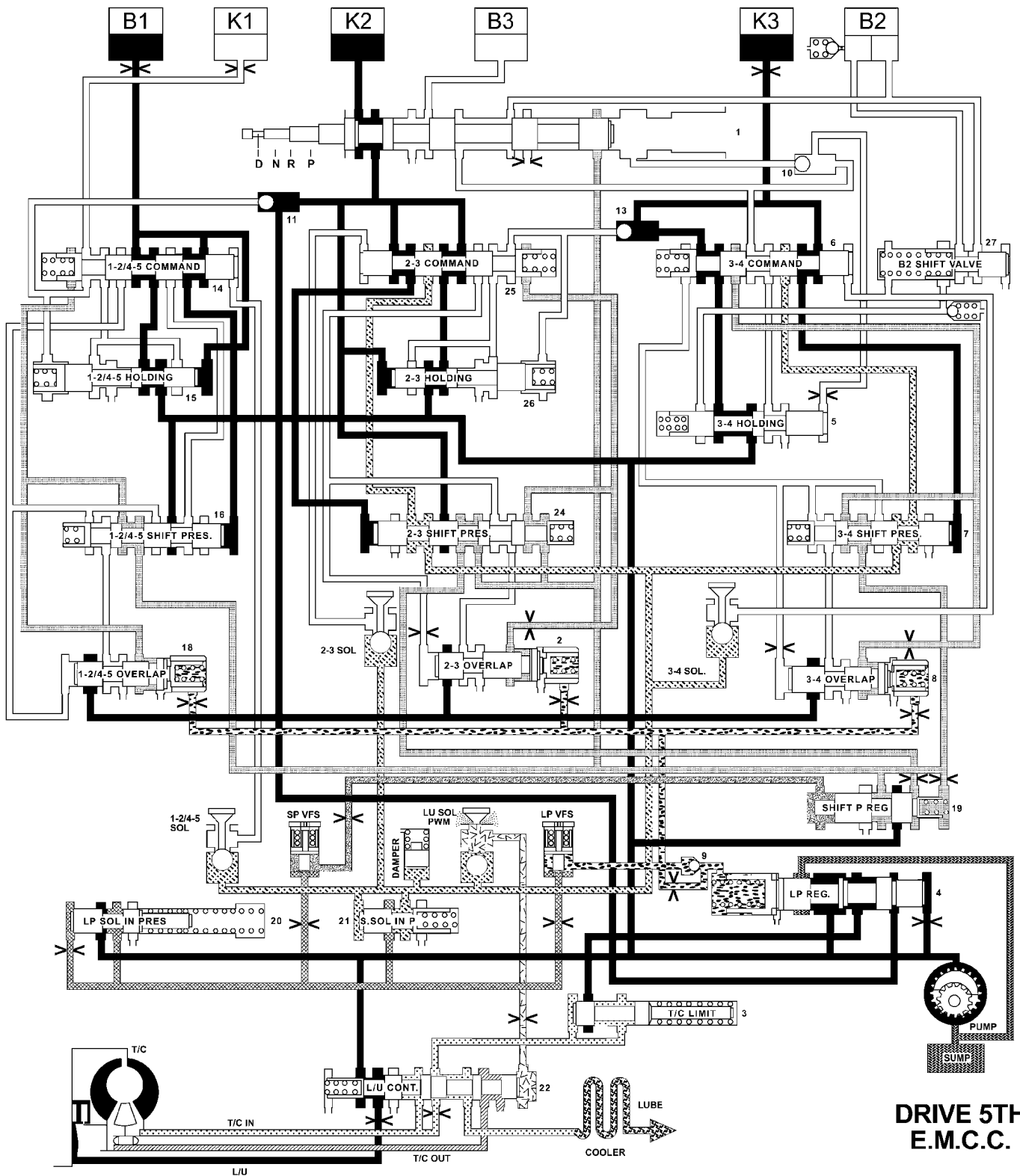
HYDRAULIC FLOW IN DRIVE - FOURTH TO FIFTH GEAR TRANSITION



LINE PRESSURE (50-350 psi)	CONTROL VALVE PRESSURE (105-120 psi)	SHIFT VALVE PRESSURE (50-55 psi)	SHIFT PRESSURE (0-220 psi)	TC IN (50-100 psi)	TC OUT (10-45 psi)	MODULATING PRESSURE (0-120 psi)	LUBE (5-40 psi)	SHIFT PRESSURE/ CONTROL SOLENOID VALVE (0-120 psi)	SUMP

810bb210

HYDRAULIC FLOW IN DRIVE - FIFTH GEAR

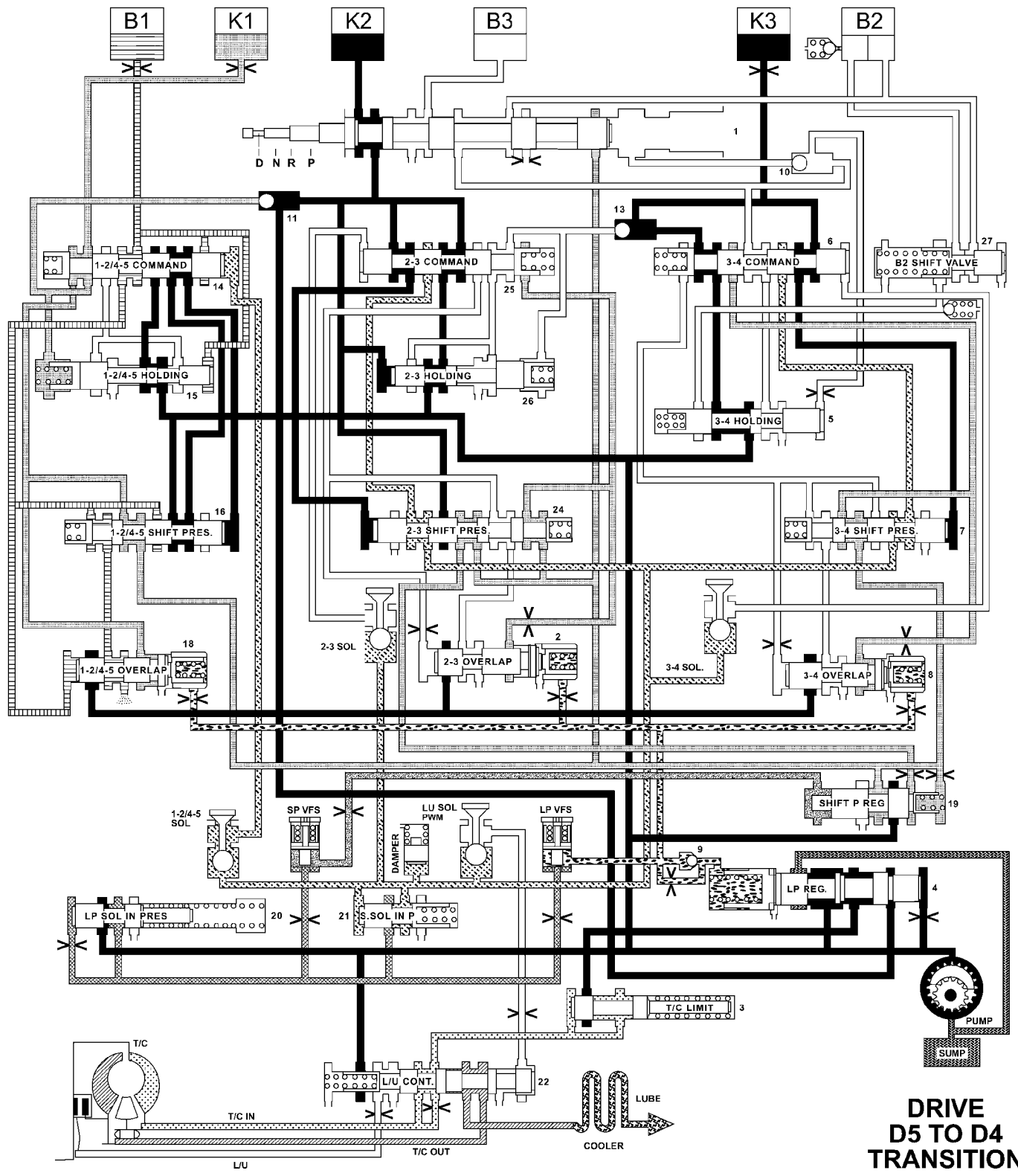


**DRIVE 5TH
E.M.C.C.**

LINE PRESSURE (50-350 psi)	CONTROL VALVE PRESSURE (105-120 psi)	SHIFT VALVE PRESSURE (50-55 psi)	SHIFT PRESSURE (0-220 psi)	TC IN (50-100 psi)	TC OUT (10-45 psi)	OVERLAP PRESSURE	CONVERTER CONTROL PRESSURE	MODULATING PRESSURE (0-120 psi)	LUBE (5-40 psi)	SHIFT PRESSURE/ CONTROL SOLENOID VALVE (0-120 psi)	SUMP

810bb235

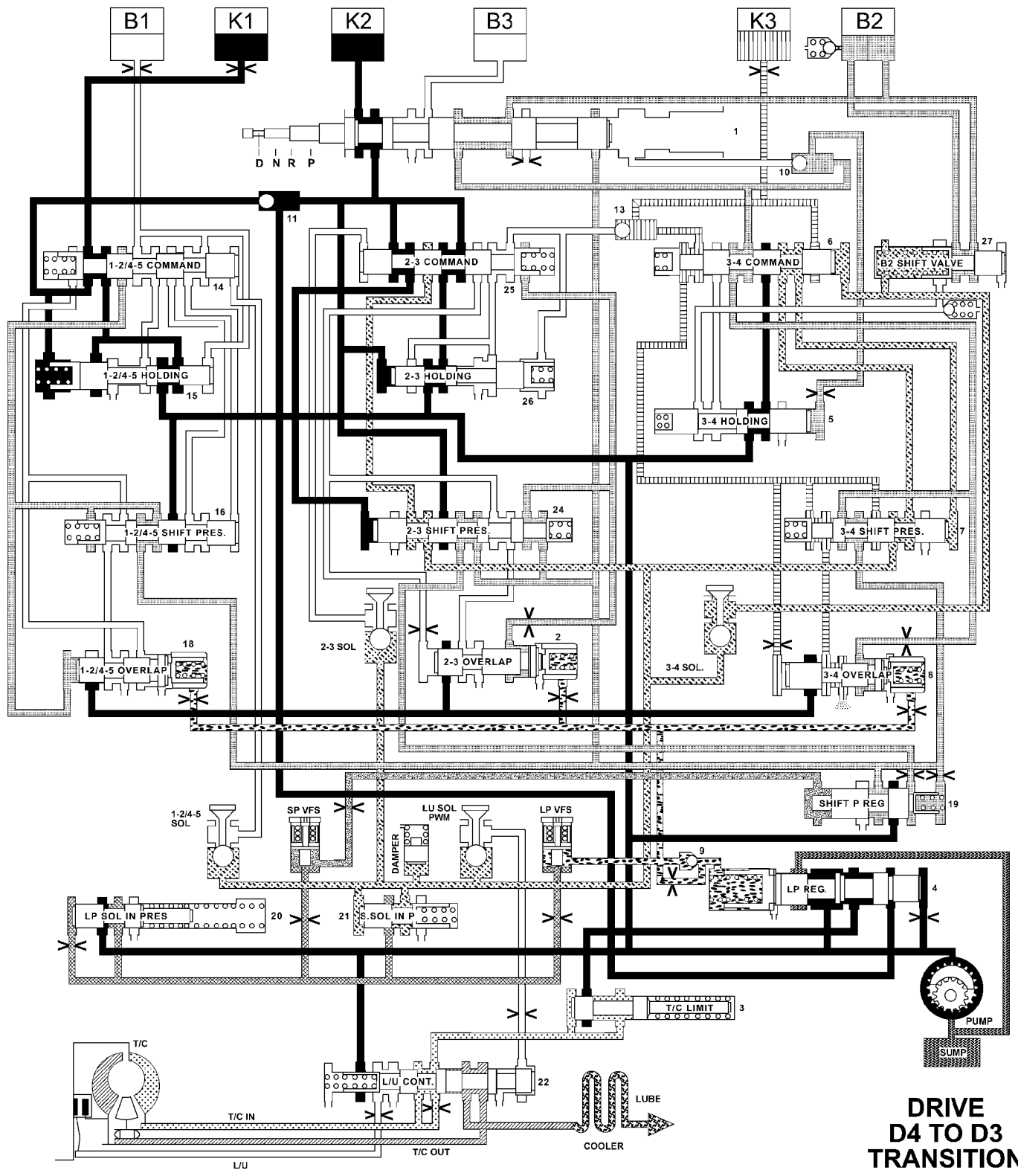
HYDRAULIC FLOW IN DRIVE - FIFTH GEAR - EMCC



**DRIVE
D5 TO D4
TRANSITION**

LINE PRESSURE (50-350 psi)	CONTROL VALVE PRESSURE (105-120 psi)	SHIFT VALVE PRESSURE (50-55 psi)	SHIFT PRESSURE (0-220 psi)	TC IN (50-100 psi)	TC OUT (10-45 psi)	OVERLAP PRESSURE	MODULATING PRESSURE (0-120 psi)	LUBE (5-40 psi)	SHIFT PRESSURE/CONTROL SOLENOID VALVE (0-120 psi)	SUMP

HYDRAULIC FLOW IN DRIVE - FIFTH TO FOURTH GEAR TRANSITION

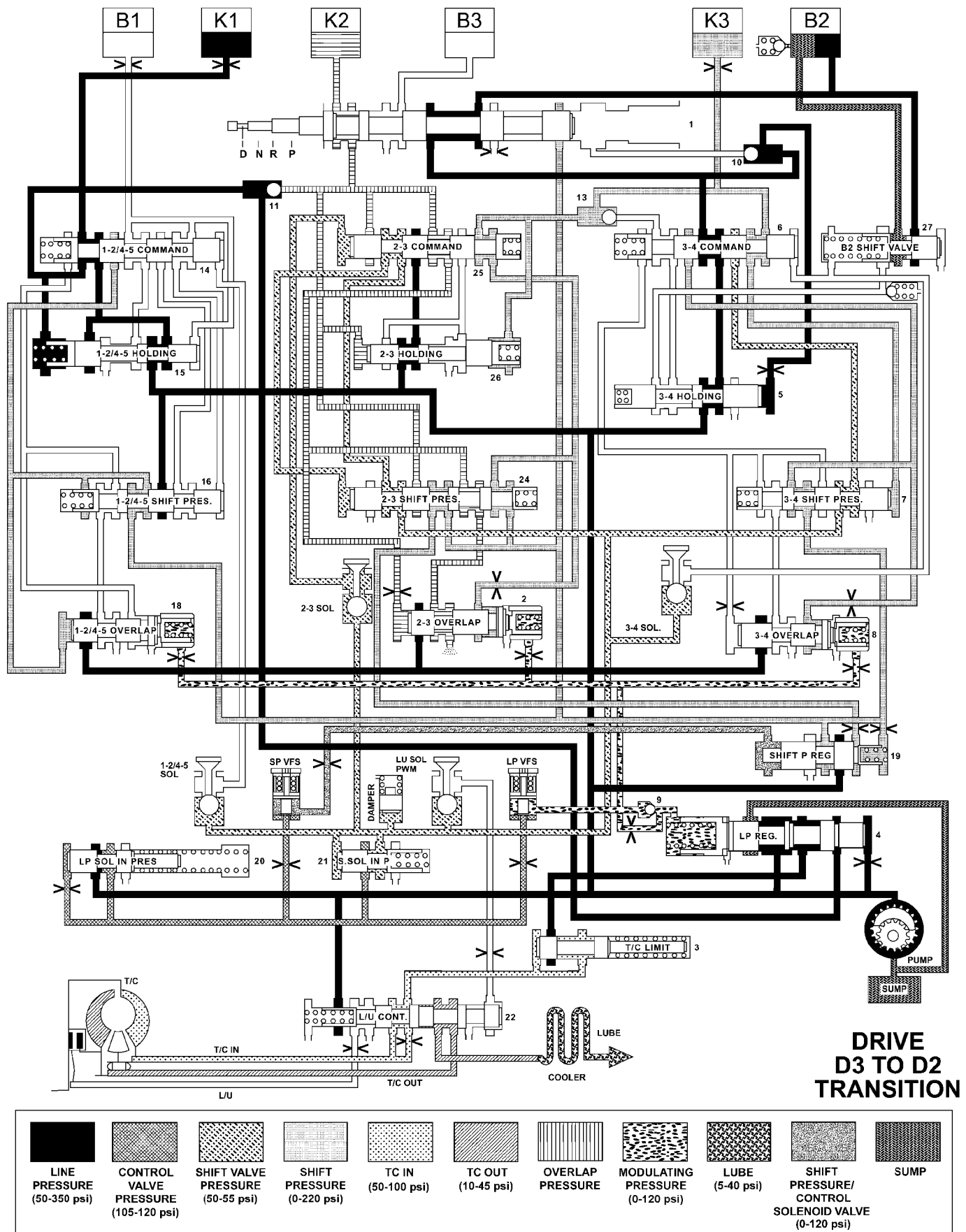


**DRIVE
D4 TO D3
TRANSITION**

LINE PRESSURE (50-350 psi)	CONTROL VALVE PRESSURE (105-120 psi)	SHIFT VALVE PRESSURE (50-55 psi)	SHIFT PRESSURE (0-220 psi)	TC IN (50-100 psi)	TC OUT (10-45 psi)	OVERLAP PRESSURE	MODULATING PRESSURE (0-120 psi)	LUBE (5-40 psi)	SHIFT PRESSURE/ CONTROL SOLENOID VALVE (0-120 psi)	SUMP

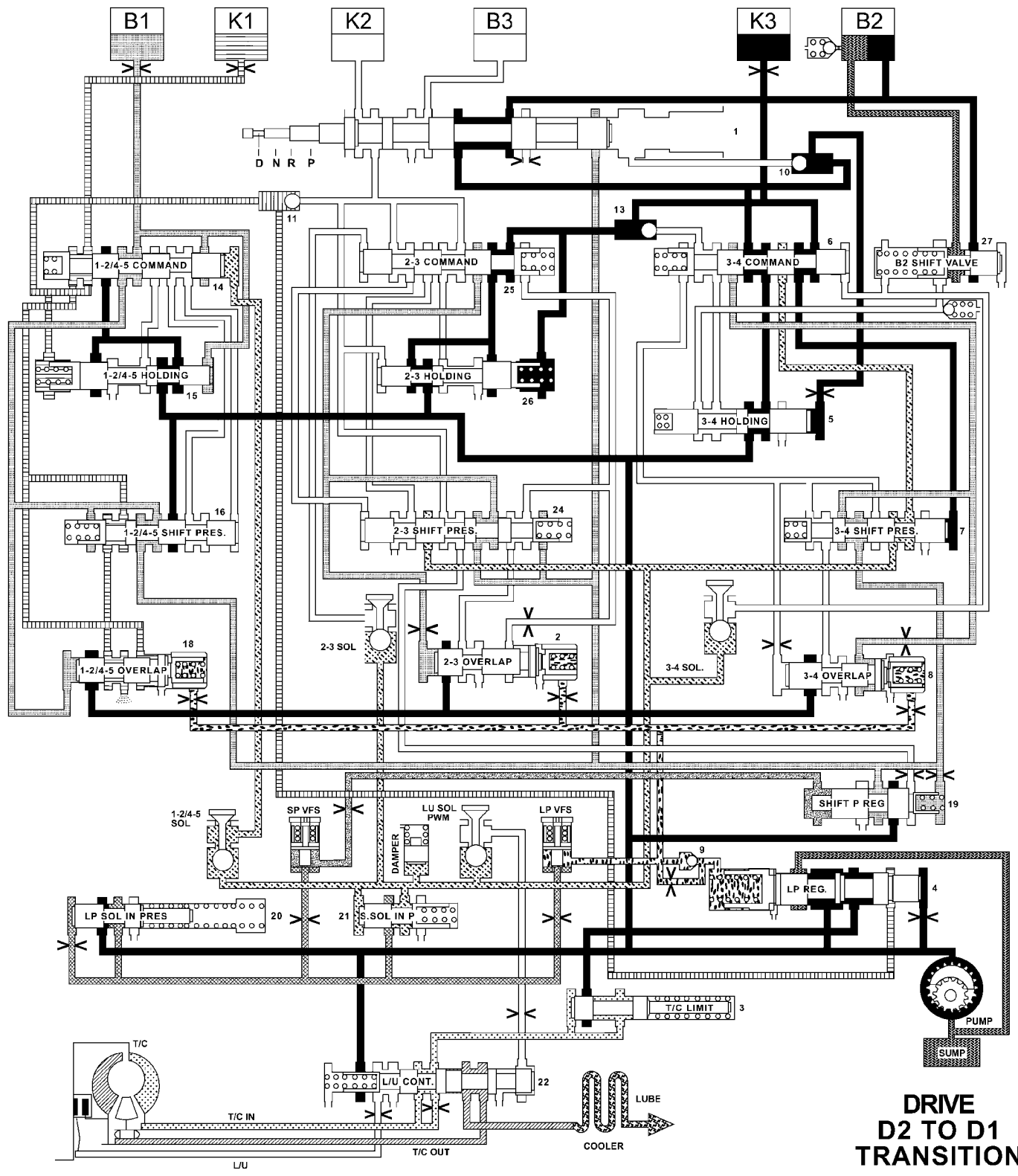
810bb2e7

HYDRAULIC FLOW IN DRIVE - FOURTH TO THIRD GEAR TRANSITION



810bb2ec

HYDRAULIC FLOW IN DRIVE - THIRD TO SECOND GEAR TRANSITION



LINE PRESSURE (50-350 psi)	CONTROL VALVE PRESSURE (105-120 psi)	SHIFT VALVE PRESSURE (50-55 psi)	SHIFT PRESSURE (0-220 psi)	TC IN (50-100 psi)	TC OUT (10-45 psi)	OVERLAP PRESSURE	MODULATING PRESSURE (0-120 psi)	LUBE (5-40 psi)	SHIFT PRESSURE/CONTROL SOLENOID VALVE (0-120 psi)	SUMP

810bb27

HYDRAULIC FLOW IN DRIVE - SECOND TO FIRST GEAR TRANSITION

SPECIFICATIONS - NAG1 AUTOMATIC TRANSMISSION

GEAR RATIOS

1ST	3.59:1
2ND	2.19:1
3RD	1.41:1
4TH	1.00:1
5TH	0.83:1
REVERSE	3.16:1

SPECIFICATIONS

COMPONENT	METRIC (mm)	INCH (in.)	
Geartrain End-play	0.3-0.5	0.012-0.020	
Geartrain End-play Shim	0.2, 0.3, 0.4, and 0.5	0.008, 0.012, 0.016, 0.020	
Rear Planetary Gear Set End-play	0.15-0.6	0.006-0.024	
Rear Planetary Gear Set Snap-rings	3.0, 3.4, and 3.7	0.118, 0.134, 0.146	
B1 Clutch Clearance - Double Sided Friction Discs	2 Disc	2.3-2.7	0.091-0.106
	3 Disc	2.7-3.1	0.106-0.122
	4 Disc	3.0-3.4	0.118-0.134
B1 Clutch Clearance - Single Sided Friction Discs	4 Disc	2.2-2.6	0.087-0.102
	6 Disc	2.4-2.8	0.095-0.110
	8 Disc	2.6-3.0	0.102-0.118
B1 Clutch Snap-rings	2.6, 2.9, 3.2, 3.5, 3.8, and 4.1	0.102, 0.114, 0.126, 0.138, 0.150, 0.162	
B2 Clutch Clearance	4 Disc	1.9-2.3	0.075-0.091
	5 Disc	2.0-2.4	0.079-0.095
B2 Clutch Snap-rings	2.9, 3.2, 3.5, 3.8, and 4.1	0.114, 0.126, 0.138, 0.150, 0.162	
B3 Clutch Clearance	2.0-2.4	0.079-0.095	
B3 Clutch Snap-rings	3.2, 3.5, 3.8, 4.1, 4.4, and 4.7	0.126, 0.138, 0.150, 0.162, 0.173, 0.185	

COMPONENT	METRIC (mm)	INCH (in.)	
K1 Clutch Clearance - Double Sided Friction Discs	3 Disc	2.7-3.1	0.106-0.122
	4 Disc	3.0-3.4	0.118-0.134
	5 Disc	3.3-3.7	0.13-0.146
	6 Disc	3.6-4.0	0.142-0.158
K1 Clutch Clearance - Single Sided Friction Discs	6 Disc	2.4-2.8	0.095-0.110
	8 Disc	2.6-3.0	0.102-0.118
	10 Disc	2.8-3.2	0.110-0.126
	12 Disc	2.9-3.3	0.114-0.130
K1 Clutch Snap-rings	2.6, 2.9, 3.2, 3.5, 3.8, and 4.1	0.102, 0.114, 0.126, 0.138, 0.150, 0.162	
K2 Clutch Clearance	3 Disc	2.3-2.7	0.091-0.106
	4 Disc	2.4-2.8	0.095-0.110
	5 Disc	2.5-2.9	0.099-0.114
	6 Disc	2.7-3.1	0.106-0.122
K2 Clutch Snap-rings	2.3, 2.6, 2.9, 3.2, 3.5, and 3.8	0.091, 0.102, 0.114, 0.126, 0.138, 0.150	
K3 Clutch Clearance - Double Sided Friction Discs	3 Disc	2.3-2.7	0.091-0.106
	4 Disc	2.4-2.8	0.095-0.110
	5 Disc	2.5-2.9	0.099-0.114
K3 Clutch Clearance - Single Sided Friction Discs	6 Disc	2.3-2.7	0.091-0.106
	8 Disc	2.4-2.8	0.095-0.110
	10 Disc	2.5-2.9	0.099-0.114
K3 Clutch Snap-rings	2.0, 2.3, 2.6, 2.9, 3.2, and 3.5	0.079, 0.091, 0.102, 0.114, 0.126, 0.138	

TORQUE SPECIFICATIONS

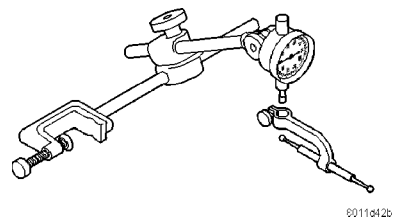
DESCRIPTION	N-m	Ft. Lbs.	In. Lbs.
Bolt, Transmission Housing to Engine	38	28	-
Bolt, Transmission Oil Line to Transmission Housing	34	25	-
Bolt, Oil Fill Tube to Transmission Housing	8	-	71
Bolt, Oil Fill Tube to Cylinder Head	8	-	71
Bolt, Torque Converter to Drive Plate	50	37	-
Bolt, B2 Clutch Carrier	16	-	141
Bolt, B1 Carrier to Converter Housing	10	-	88.5
Nut, Propeller Flange	200	147.5	-
Bolt, Electrohydraulic Unit	8	-	71
Bolt, Transmission Housing to Converter Housing	20	-	177
Bolts, Oil Pan	8	-	71
Screws, Valve Body/Housing Side Cover	4	-	35
Bolt, Shift Plate	8	-	71
Bolt, Solenoid Leaf Spring	8	-	71
Plug, Oil Pan Drain	20	-	177
Nut, Shifter Mechanism to Floor Pan	7	-	65

SPECIAL TOOLS - AUTOMATIC TRANSMISSION - NAG1

SPECIAL TOOL CROSS REFERENCE CHART

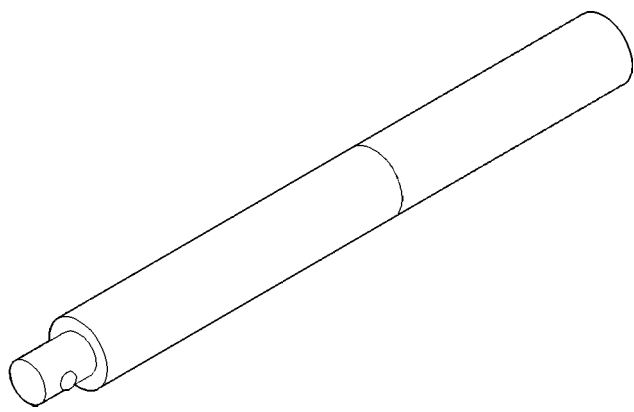
MB TOOL #	MILLER TOOL #	DESCRIPTION
N/A	C-3339	DIAL INDICATOR SET
N/A	C-4171	DRIVE HANDLE
N/A	6311	GAUGE BAR
N/A	8266	END-PLAY SET
N/A	8266-18	END-PLAY ADAPTER
N/A	8863B	DIPSTICK
140 586 13 43 00	8900	MULTI-USE SPRING COMPRESSOR
208 589 00 21 00	8901	PRESSING TOOL
N/A	8902A	SEAL INSTALLER
N/A	9078	STAKING TOOL

MB TOOL #	MILLER TOOL #	DESCRIPTION
N/A	9082	BEARING REMOVER
N/A	9287	BEARING INSTALLER

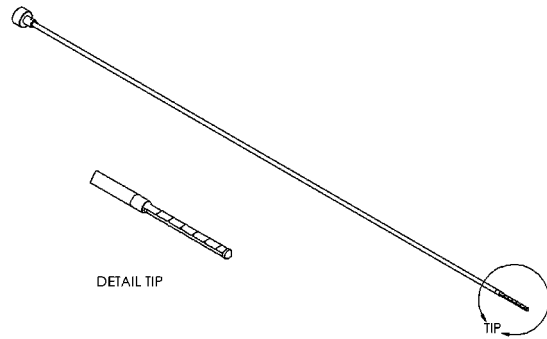


Dial Indicator - C-3339

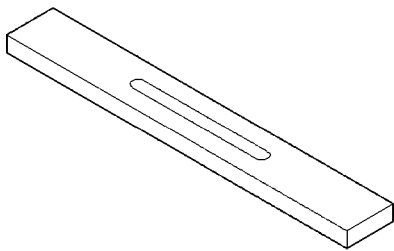
0011042b



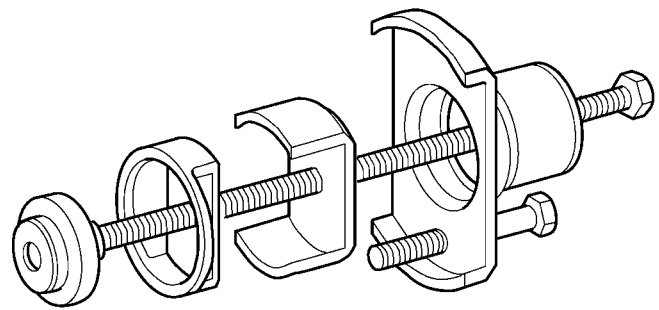
Handle, Universal - C-4171



Dipstick - 8863B

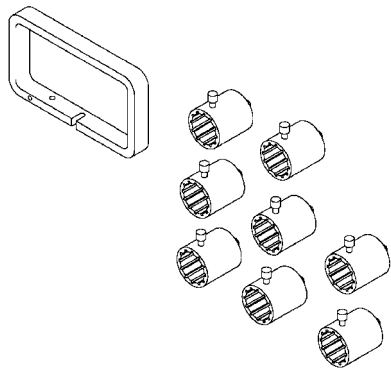


Bar, Gauge - 6311

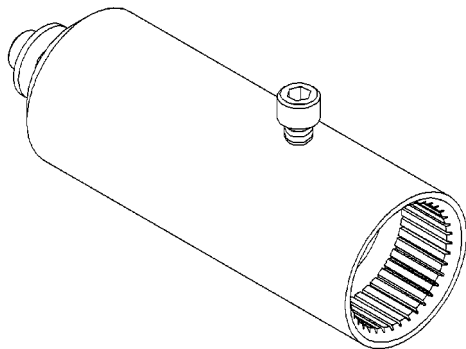


80e490db

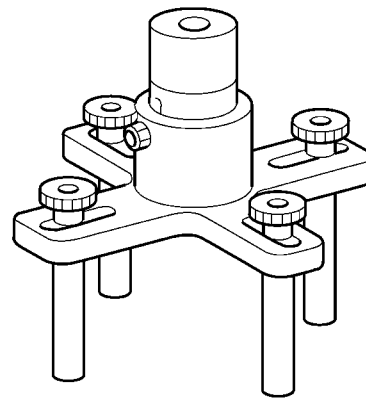
Compressor, Multi-use Spring - 8900



End Play Set - 8266

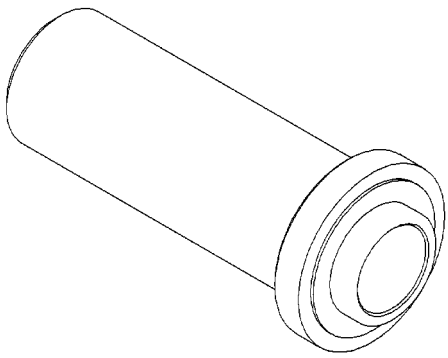


Adapter, Geartrain End-play - 8266-18

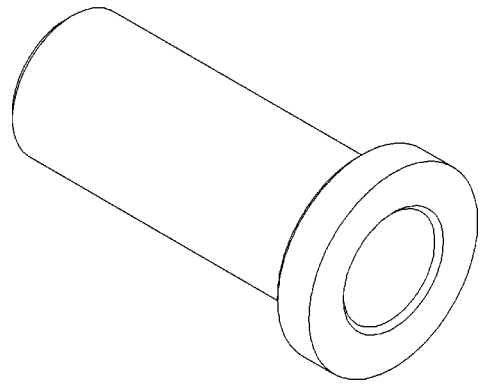


80e490e0

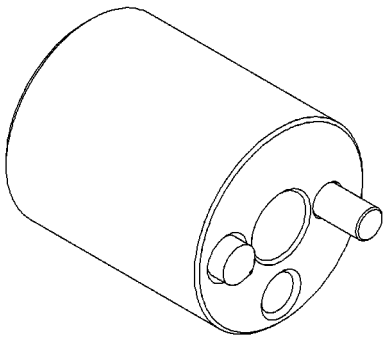
Tool, Pressing - 8901



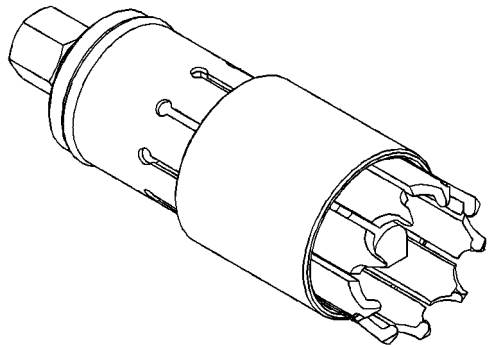
Installer, Seal - 8902A



Installer, Bearing - 9287



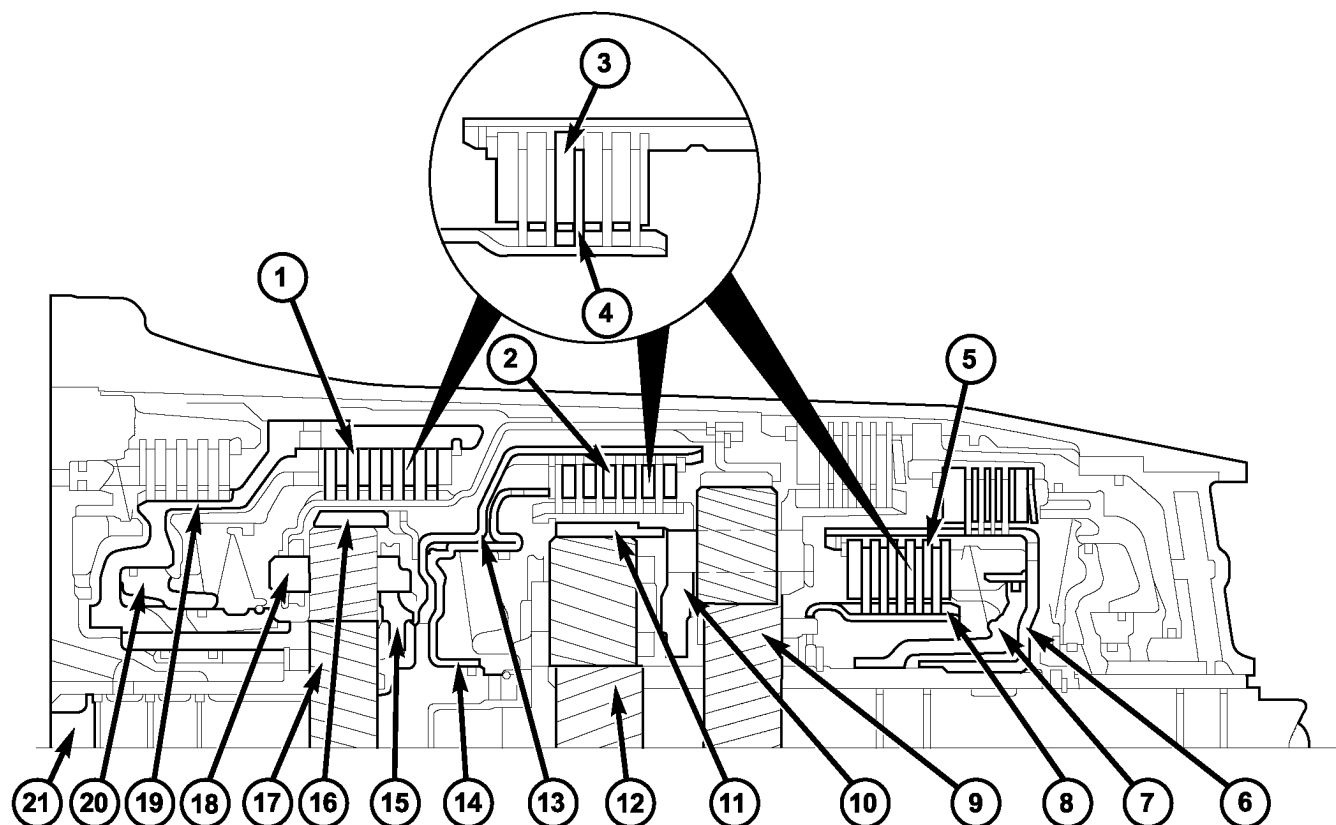
Tool, Staking - 9078



Remover, Bearing - 9082

INPUT CLUTCHES

DESCRIPTION



80e2f163

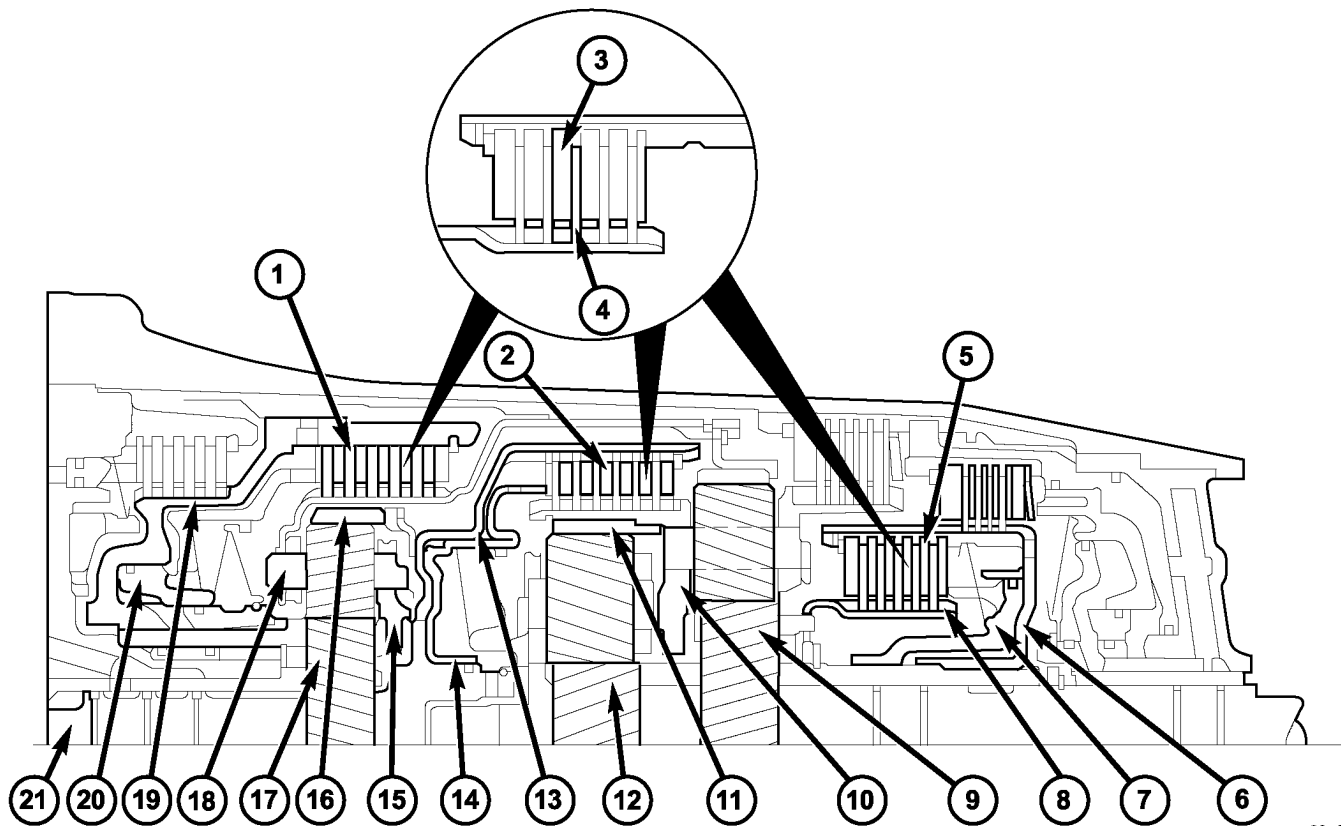
Fig. 79 Input Clutches

- | | |
|---|--|
| 1 - K1 CLUTCH | 12 - CENTER PLANETARY GEARSET SUN GEAR |
| 2 - K2 CLUTCH | 13 - K2 CLUTCH EXTERNALLY TOOTHED DISC CARRIER |
| 3 - EXTERNALLY TOOTHED DISC | 14 - K2 CLUTCH PISTON |
| 4 - INTERNALLY TOOTHED DISC | 15 - FRONT PLANETARY GEARSET PLANETARY CARRIER |
| 5 - K3 CLUTCH | 16 - FRONT PLANETARY GEARSET ANNULUS GEAR |
| 6 - K3 CLUTCH EXTERNALLY TOOTHED DISC CARRIER | 17 - FRONT PLANETARY GEARSET SUN GEAR |
| 7 - K3 CLUTCH PISTON | 18 - K1 CLUTCH INTERNALLY TOOTHED DISC CARRIER |
| 8 - K3 CLUTCH INTERNALLY TOOTHED DISC CARRIER | 19 - K1 CLUTCH EXTERNALLY TOOTHED DISC CARRIER |
| 9 - REAR PLANETARY GEARSET SUN GEAR | 20 - K1 CLUTCH PISTON |
| 10 - CENTER PLANETARY GEARSET PLANETARY CARRIER | 21 - DRIVE SHAFT |
| 11 - CENTER PLANETARY GEARSET ANNULUS GEAR | |

Three multi-plate input clutches (1, 2, 5) (Fig. 79), the front, middle and rear multi-plate clutches K1 (1), K2 (2), and K3 (5), are located in the planetary gear sets in the transmission housing.

A multi-plate input clutch consists of a number of internally toothed discs (4) on an internally toothed disc carrier and externally toothed discs (3) on an externally toothed disc carrier.

OPERATION



80e2f163

Fig. 80 Input Clutches

- | | |
|---|--|
| 1 - K1 CLUTCH | 12 - CENTER PLANETARY GEARSET SUN GEAR |
| 2 - K2 CLUTCH | 13 - K2 CLUTCH EXTERNALLY TOOTHED DISC CARRIER |
| 3 - EXTERNALLY TOOTHED DISC | 14 - K2 CLUTCH PISTON |
| 4 - INTERNALLY TOOTHED DISC | 15 - FRONT PLANETARY GEARSET PLANETARY CARRIER |
| 5 - K3 CLUTCH | 16 - FRONT PLANETARY GEARSET ANNULUS GEAR |
| 6 - K3 CLUTCH EXTERNALLY TOOTHED DISC CARRIER | 17 - FRONT PLANETARY GEARSET SUN GEAR |
| 7 - K3 CLUTCH PISTON | 18 - K1 CLUTCH INTERNALLY TOOTHED DISC CARRIER |
| 8 - K3 CLUTCH INTERNALLY TOOTHED DISC CARRIER | 19 - K1 CLUTCH EXTERNALLY TOOTHED DISC CARRIER |
| 9 - REAR PLANETARY GEARSET SUN GEAR | 20 - K1 CLUTCH PISTON |
| 10 - CENTER PLANETARY GEARSET PLANETARY CARRIER | 21 - DRIVE SHAFT |
| 11 - CENTER PLANETARY GEARSET ANNULUS GEAR | |

The input clutches (Fig. 80) produce a non-positive locking connection between two elements of a planetary gear set or between one element from each of two planetary gear sets in order to transmit the drive torque.

If the piston (20) on multi-plate clutch K1 (1) is subjected to oil pressure, it presses the internal and external discs of the disc set together. The sun gear (17) is locked with the planetary carrier (15) via the externally toothed disc carrier (19) and the internally toothed disc carrier (18). The front planetary gear set is thus locked and turns as a closed unit.

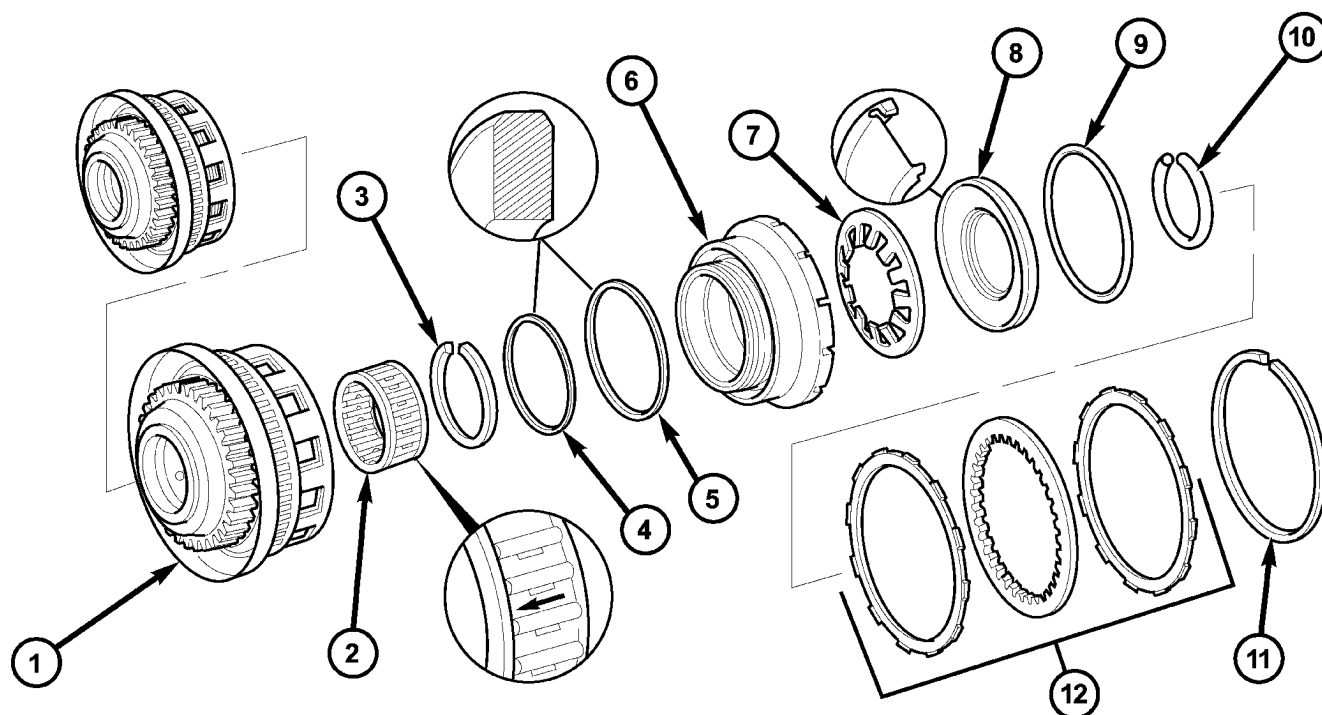
If the multi-plate clutch K2 (2) is actuated via the piston (14), the piston compresses the disc set. The annulus gear (16) of the front planetary gear set is locked with the annulus gear (11) of the center planetary gear set via the externally toothed disc carrier

(13) and the center planetary carrier (10) on which the internally toothed discs are seated. Annulus gear (16) and annulus gear (11) turn at the same speed as the input shaft (21)

If the multi-plate clutch K3 (5) is actuated via the piston (7), the piston compresses the disc set. The sun gear (12) of the center planetary gear set is locked with the sun gear (9) of the rear planetary gear set via the externally toothed disc carrier (6) and the internally toothed disc carrier (8). Sun gear (12) and sun gear (9) turn at the same speed.

INPUT CLUTCH K1

DISASSEMBLY



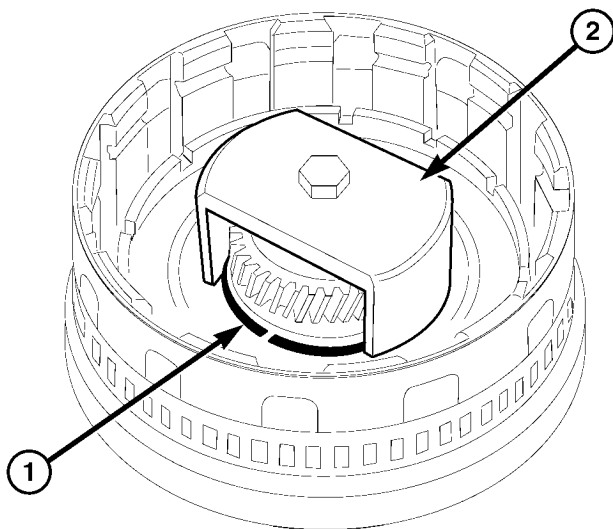
80e43dce

Fig. 81 Input Clutch K1 Components

- | | |
|-------------------------------------|--|
| 1 - K1 OUTER DISC CARRIER | 7 - DISC SPRING |
| 2 - FREEWHEELING CLUTCH F1 | 8 - SPRING PLATE |
| 3 - SNAP-RING | 9 - SPRING PLATE SEALING RING |
| 4 - OUTER DISC CARRIER SEALING RING | 10 - SNAP-RING |
| 5 - PISTON SEALING RING | 11 - SNAP-RING |
| 6 - PISTON | 12 - MULTIPLE DISC PACK - REFER TO TEXT FOR CORRECT ASSEMBLY ORDER |

(1) Remove snap-ring (11) (Fig. 81) from outer multiple-disc carrier (6).

(2) Take multiple-disc pack (12) out of outer multiple-disc carrier (6). Note which clutch disc is removed just prior to the spring plate (8) for re-assembly. If the clutch discs are re-used, this disc must be returned to its original position on top of the spring plate.



812d49a0

Fig. 82 Compress the Disc Spring

1 - SNAP-RING

2 - MULTI-USE SPRING COMPRESSOR 8900

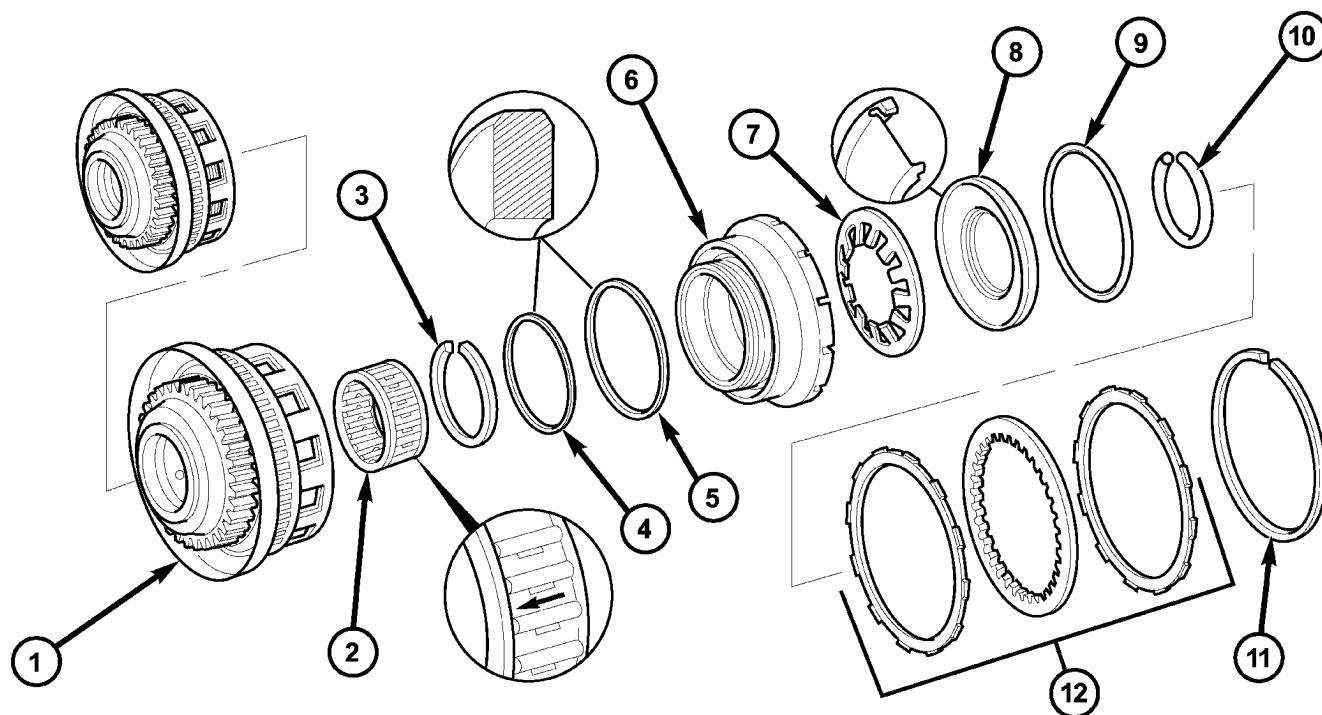
(3) Place Multi-use Spring Compressor 8900 (2) (Fig. 82) on the spring plate and compress the spring until the snap-ring (1) is exposed.

(4) Remove snap-ring (1).

(5) Take out disc spring (7) and remove piston (6) by carefully blowing compressed air into the drilled oil feed passage.

(6) Remove snap-ring (3) and take out front free-wheeling clutch F1 (2). Take care when removing the F1 clutch to prevent the clutch sprags from falling out. If this occurs, the clutch must be replaced.

ASSEMBLY



80e43dce

Fig. 83 Input Clutch K1 Components

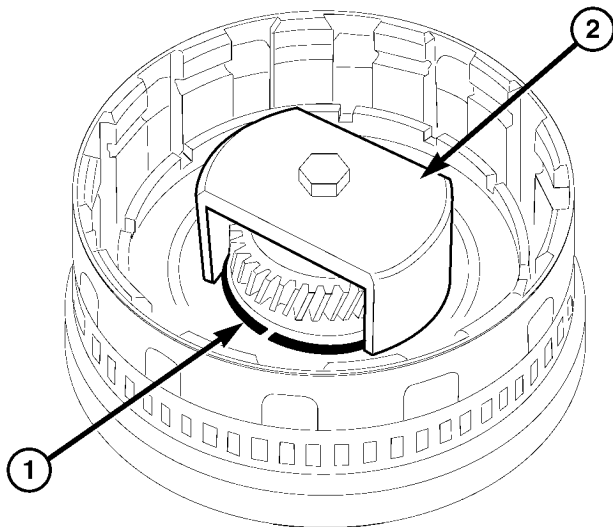
1 - K1 OUTER DISC CARRIER
 2 - FREEWHEELING CLUTCH F1
 3 - SNAP-RING
 4 - OUTER DISC CARRIER SEALING RING
 5 - PISTON SEALING RING
 6 - PISTON

7 - DISC SPRING
 8 - SPRING PLATE
 9 - SPRING PLATE SEALING RING
 10 - SNAP-RING
 11 - SNAP-RING
 12 - MULTIPLE DISC PACK - REFER TO TEXT FOR CORRECT ASSEMBLY ORDER

(1) Install piston (6) (Fig. 83) in the outer multiple-disc carrier (1). Check sealing rings (4 and 5), replace if necessary. The rounded off edges of the sealing rings must point outwards.

(2) Insert disc spring (7) (Fig. 83). Insert disc spring with the curvature towards the piston.

(3) Insert spring plate (8). Insert spring plate with the curvature towards the sun gear. Check sealing ring (9), replace if necessary.



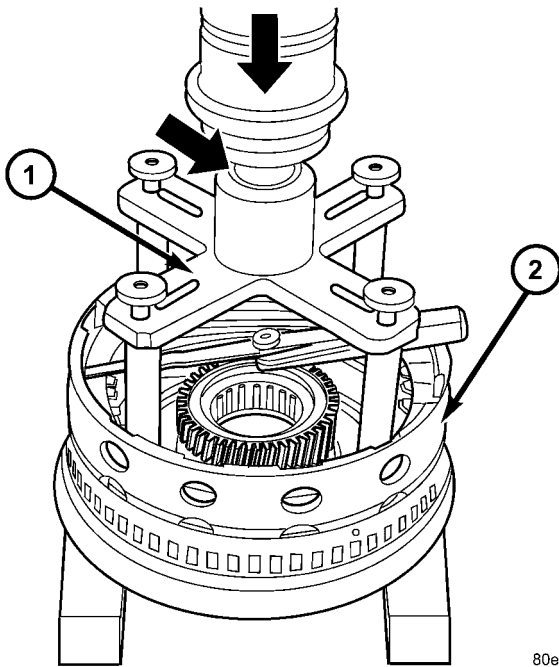
812d49a0

Fig. 84 Compress the Disc Spring

- 1 - SNAP-RING
- 2 - MULTI-USE SPRING COMPRESSOR 8900

(4) Place Multi-use Spring Compressor 8900 (2) (Fig. 84) on spring plate and compress the spring until the groove of the snap-ring (1) is exposed.

(5) Insert snap-ring (1) (Fig. 83). After installing, check snap-ring for correct seat.



80e43dd6

Fig. 85 Measure K1 Clutch Clearance

- 1 - PRESSING TOOL 8901
- 2 - K1 OUTER DISC CARRIER

CAUTION: When working with double sided friction discs, an externally lugged steel plate is installed first, followed by a friction disc, and continuing on until all the required discs are installed. When working with single sided friction discs, an externally

lugged disc is installed first, followed by an internally lugged disc, and continuing on until all the required discs are installed. All single sided discs are installed with the friction side up.

NOTE: Pay attention to the sequence of discs. If the original clutch discs are reused, be sure to return the disc identified on disassembly as belonging on top of the spring plate (8) to its original location.

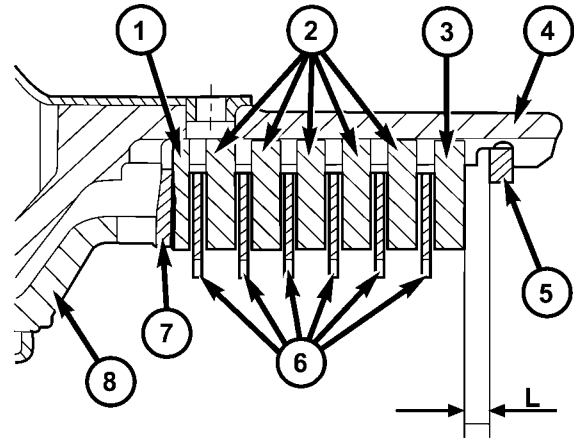
NOTE: Place new friction multiple-discs in ATF fluid for one hour before installing.

(6) Insert multiple-disc pack (12) in the outer multiple-disc carrier.

(7) Insert snap-ring (11).

(8) Measure the K1 clutch pack clearance by mounting Pressing Tool 8901 (1) (Fig. 85) on outer multiple disc.

(9) Using a lever press, compress pressing tool as far as the stop (then the marking ring is still visible, see small arrow).



80e43dd2

Fig. 86 Input Clutch K1 Stack-up - Double Sided Discs

- 1 - OUTER MULTIPLE DISC - 1.8MM (0.071 IN.)
- 2 - OUTER MULTIPLE DISC - 2.8MM (0.110 IN.)
- 3 - OUTER MULTIPLE DISC - 4.0MM (0.158 IN.)
- 4 - K1 OUTER DISC CARRIER
- 5 - SNAP-RING
- 6 - FRICTION DISCS
- 7 - DISC SPRING
- 8 - PISTON

(10) For transmissions using double sided friction discs, use a feeler gauge to determine the play "L" (Fig. 86) at three points between the snap-ring (5) and outer multiple-disc (3).

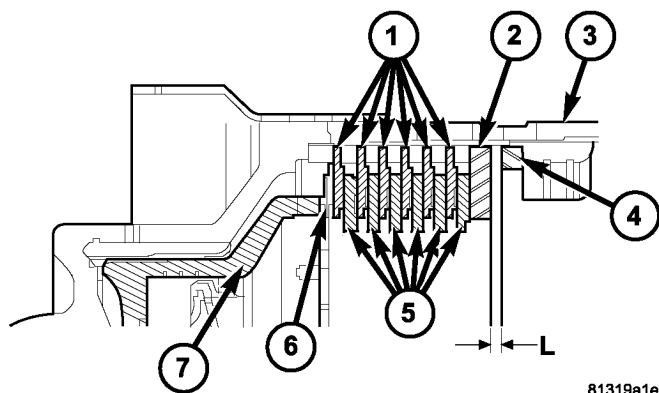
(11) During the measurement the snap-ring (5) must contact the upper bearing surface of the groove in the outer multiple-disc carrier (4).

(12) The correct clutch clearance for transmissions with double sided friction discs is 2.7-3.1 mm (0.106-0.122 in.) for three friction disc versions, 3.0-3.4 mm

(0.118-0.134 in.) for four disc versions, 3.3-3.7 mm (0.130-0.146 in.) for five disc versions, and 3.6-4.0 mm (0.142-0.158 in.) for six disc versions.

(13) Adjust with snap-ring (5), if necessary. Snap-rings are available in thicknesses of 2.6 mm (0.102 in.), 2.9 mm (0.114 in.), 3.2 mm (0.126 in.), 3.5 mm (0.138 in.), 3.8 mm (0.150 in.), and 4.1 mm (0.162 in.).

(14) Insert front freewheeling clutch F1 (2) and fit snap-ring (3). The freewheeling clutch F1 (2) must be installed in the direction of the arrow.



81319a1e

Fig. 87 Input Clutch K1 Stack-up - Single Sided Discs

- 1 - OUTER MULTIPLE DISCS
- 2 - OUTER MULTIPLE DISC - 4.0MM (0.158 IN.)
- 3 - K1 OUTER DISC CARRIER
- 4 - SNAP-RING
- 5 - INNER MULTIPLE DISCS
- 6 - DISC SPRING
- 7 - PISTON

(15) For transmissions using single sided friction discs, use a feeler gauge to determine the play "L" (Fig. 87) at three points between the snap-ring (4) and outer multiple-disc (2).

(16) During the measurement the snap-ring (4) must contact the upper bearing surface of the groove in the outer multiple-disc carrier (3).

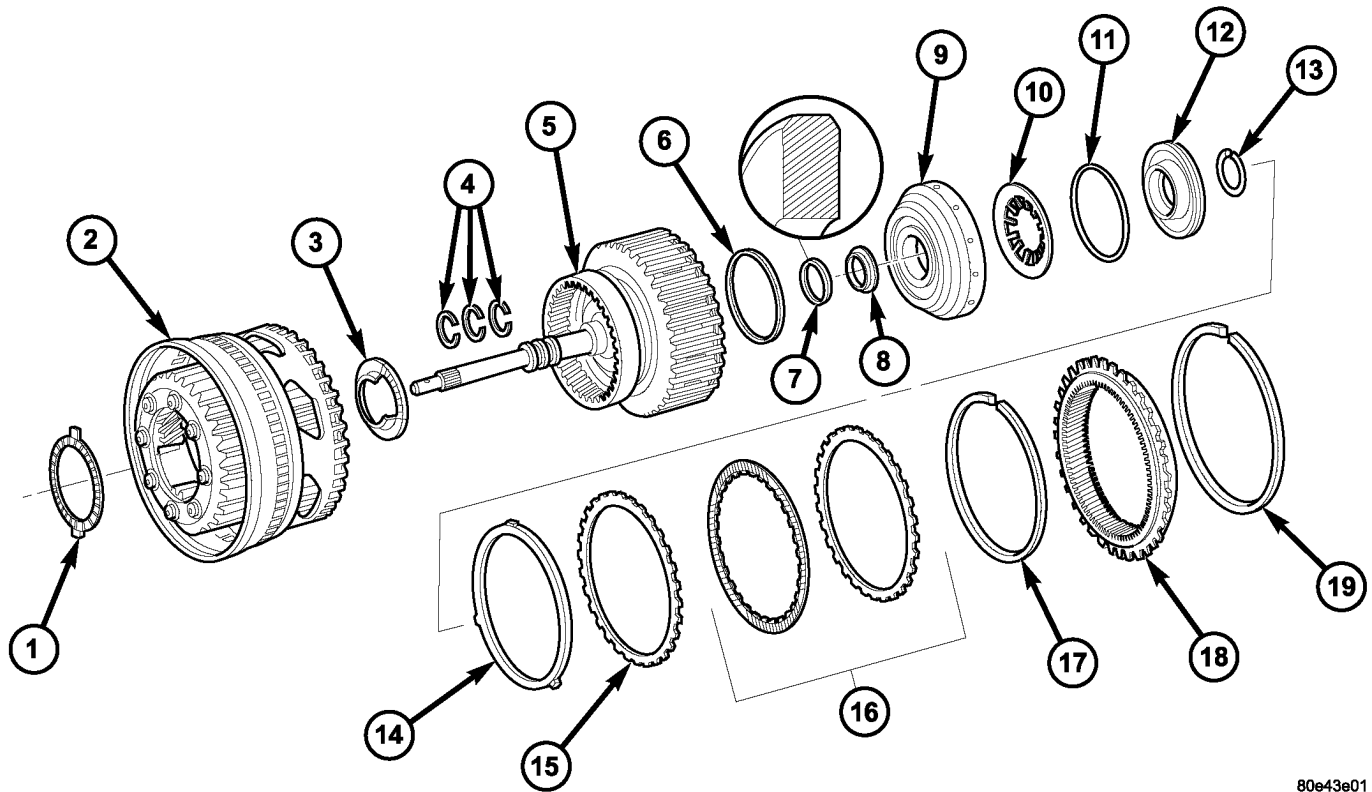
(17) The correct clutch clearance for transmissions with single sided friction discs is 2.4-2.8 mm (0.095-0.110 in.) for six friction disc versions, 2.6-3.0 mm (0.102-0.118 in.) for eight disc versions, 2.8-3.2 mm (0.110-0.126 in.) for ten disc versions, and 2.9-3.3 mm (0.114-0.130 in.) for twelve disc versions.

(18) Adjust with snap-ring (4), if necessary. Snap-rings are available in thicknesses of 2.6 mm (0.102 in.), 2.9 mm (0.114 in.), 3.2 mm (0.126 in.), 3.5 mm (0.138 in.), 3.8 mm (0.150 in.), and 4.1 mm (0.162 in.).

(19) Insert front freewheeling clutch F1 (2) and fit snap-ring (3). The freewheeling clutch F1 (2) must be installed in the direction of the arrow.

INPUT CLUTCH K2

DISASSEMBLY



80e43e01

Fig. 88 Input Clutch K2 Components

- | | |
|--|--|
| 1 - NEEDLE ROLLER BEARING | 11 - SPRING RETAINER SEALING - O-RING |
| 2 - K1 INNER DISC CARRIER WITH INTEGRATED FRONT GEAR SET | 12 - SPRING RETAINER |
| 3 - THRUST BEARING | 13 - SNAP-RING |
| 4 - TORLON SEAL RINGS | 14 - DISC SPRING |
| 5 - INPUT SHAFT AND K2 CLUTCH | 15 - EXTERNALLY TOOTHED PLATE - 1.8 MM (0.071 IN.) |
| 6 - PISTON OUTER SEAL RING - O-RING | 16 - MULTIPLE DISC PACK |
| 7 - PISTON INNER SEAL RING | 17 - SNAP-RING |
| 8 - THRUST WASHER | 18 - HOLLOW GEAR |
| 9 - PISTON | 19 - SNAP-RING |
| 10 - DISC SPRING | |

(1) Remove snap-ring (19) from the K1 inner multiple-disc carrier with integrated front gear set (2) and take off hollow gear (18).

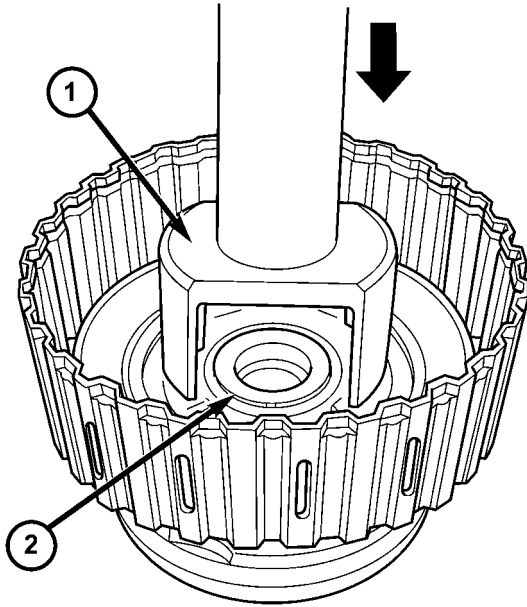
(2) Remove input shaft with clutch K2 (5) (Fig. 88).

(3) Remove needle thrust bearing (3).

(4) Remove snap-ring (17) (Fig. 88) from K2 outer multiple-disc carrier.

(5) Take out multiple-disc pack (16). Note which clutch disc is removed just prior to the disc spring (14) for re-assembly. If the clutch discs are re-used, this disc must be returned to its original position on top of the disc spring.

(6) Take out disc spring (14) (Fig. 88).



80e43e05

Fig. 89 Compress K2 Clutch Spring

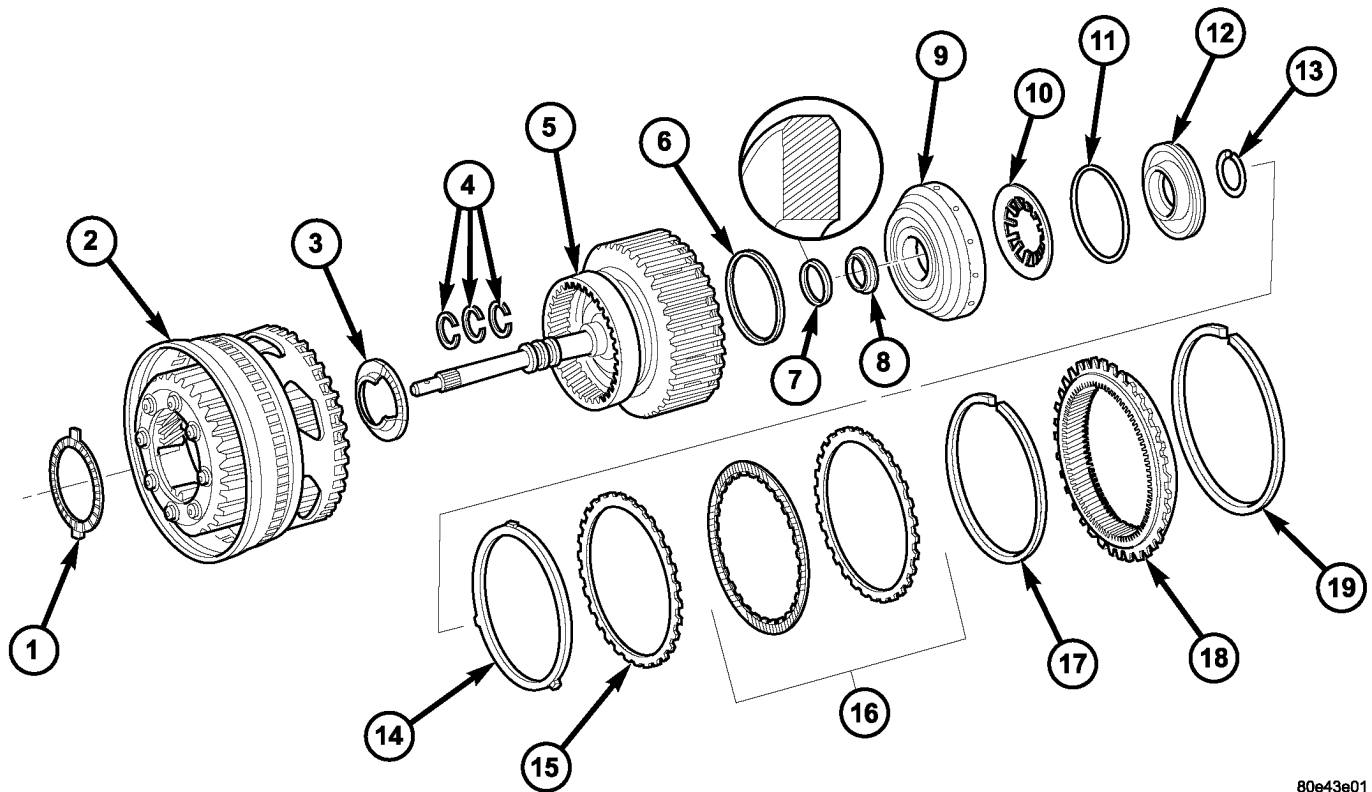
- 1 - MULTI-USE SPRING COMPRESSOR 8900
2 - SNAP-RING

(7) Fit Multi-use Spring Compressor 8900 (1) (Fig. 89) onto spring retainer (12) and press until snap-ring (2) is released.

(8) Remove snap-ring (2) (Fig. 88).

(9) Take out disc spring (10) and pull piston (9) out of outer multiple-disc carrier.

ASSEMBLY



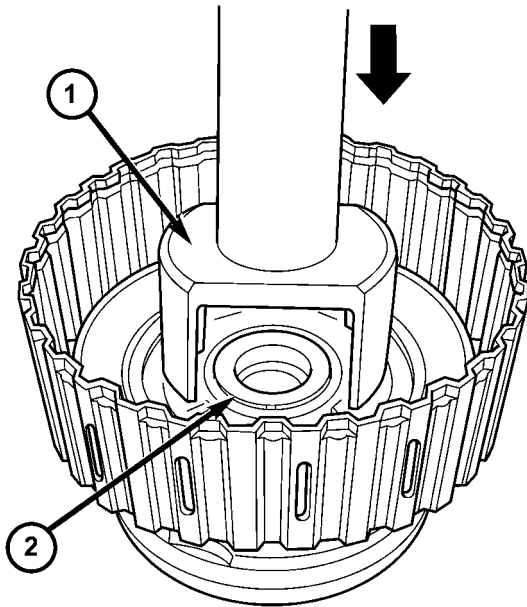
80e43e01

Fig. 90 Input Clutch K2 Components

- | | |
|--|--|
| 1 - NEEDLE ROLLER BEARING | 11 - SPRING RETAINER SEALING - O-RING |
| 2 - K1 INNER DISC CARRIER WITH INTEGRATED FRONT GEAR SET | 12 - SPRING RETAINER |
| 3 - THRUST BEARING | 13 - SNAP-RING |
| 4 - TORLON SEAL RINGS | 14 - DISC SPRING |
| 5 - INPUT SHAFT AND K2 CLUTCH | 15 - EXTERNALLY TOOTHED PLATE - 1.8 MM (0.071 IN.) |
| 6 - PISTON OUTER SEAL RING - O-RING | 16 - MULTIPLE DISC PACK |
| 7 - PISTON INNER SEAL RING | 17 - SNAP-RING |
| 8 - THRUST WASHER | 18 - HOLLOW GEAR |
| 9 - PISTON | 19 - SNAP-RING |
| 10 - DISC SPRING | |

(1) Install piston (9) (Fig. 90) in outer multiple-disc carrier. Inspect seals (6 and 7), replace if necessary. The rounded edges of the inner piston seal (7) must point to the outside.

(2) Insert disk spring (10) and spring retainer (12). Insert disk spring (10) with curved side pointing toward spring retainer (12). Inspect seal (11) (Fig. 90), replace if necessary.



80e43e05

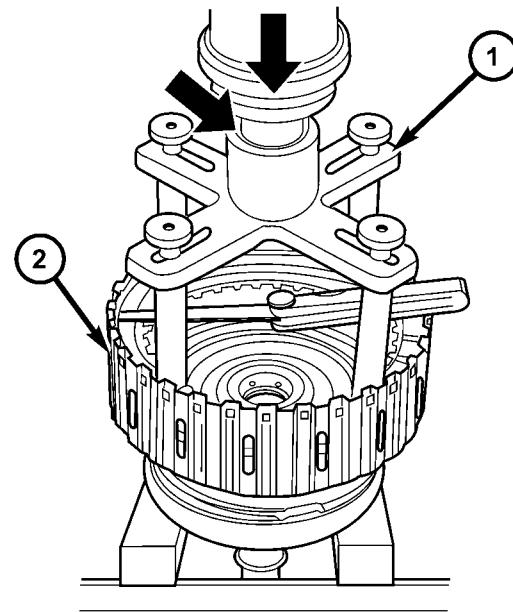
Fig. 91 Compress K2 Clutch Spring

- 1 - MULTI-USE SPRING COMPRESSOR 8900
- 2 - SNAP-RING

- (3) Place Multi-use Spring Compressor 8900 (1) (Fig. 91) on spring plate and press until the groove (2) of the snap-ring is exposed.
- (4) Insert snap-ring.
- (5) Insert disk spring (14).

NOTE: Pay attention to the sequence of discs. If the original clutch discs are reused, be sure to return the disc identified on disassembly as belonging on top of the disc spring (14) to its original location.

- (6) Insert multiple-disk set (16) into outer multiple-disk carrier.
- (7) Fit snap-ring (17).

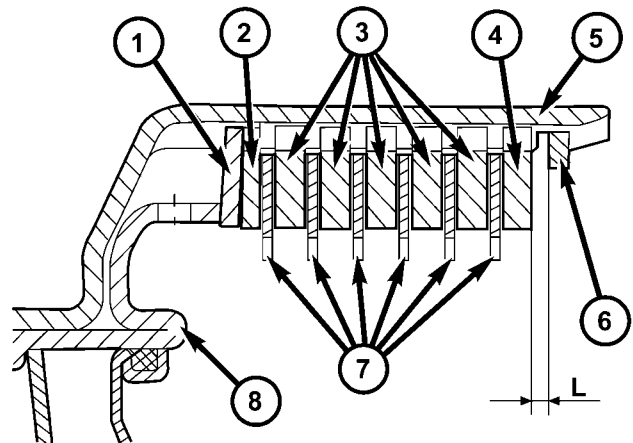


80e43e0d

Fig. 92 Measure K2 Clutch Clearance

- 1 - PRESSING TOOL 8901
- 2 - K1 INNER DISC CARRIER

- (8) Measure K2 clutch clearance by mounting Pressing Tool 8901 (1) (Fig. 92) on outer multiple disc.
- (9) Using a lever press, compress pressing tool as far as the stop (then the marking ring is still visible, see small arrow).



80e43e09

Fig. 93 Input Clutch K2 Stack-up

- 1 - DISC SPRING
- 2 - OUTER MULTIPLE DISC - 1.8 MM (0.071 IN.)
- 3 - OUTER MULTIPLE DISC - 3.5 MM (0.138 IN.)
- 4 - OUTER MULTIPLE DISC - 4.0 MM (0.158 IN.)
- 5 - K2 OUTER DISC CARRIER
- 6 - SNAP-RING
- 7 - FRICTION DISCS
- 8 - PISTON

- (10) Using a feeler gauge, determine the play "L" (Fig. 93) at three points between the snap-ring (6) and outer multiple-disc (4).

(11) During the measurement the snap-ring (6) must contact the upper bearing surface of the groove in the outer multiple-disc carrier.

(12) The correct clutch clearance is 2.3-2.7 mm (0.091-0.106 in.) for three friction disc versions, 2.4-2.8 mm (0.095-0.110 in.) for four disc versions, 2.5-2.9 mm (0.099-0.114 in.) for five disc versions, and 2.7-3.1 mm (0.106-0.122 in.) for six disc versions.

(13) Adjust with snap-ring (6), if necessary. Snap-rings are available in thicknesses of 2.3 mm (0.091 in.), 2.6 mm (0.102 in.), 2.9 mm (0.114 in.), 3.2 mm (0.126 in.), 3.5 mm (0.138 in.), and 3.8 mm (0.150 in.).

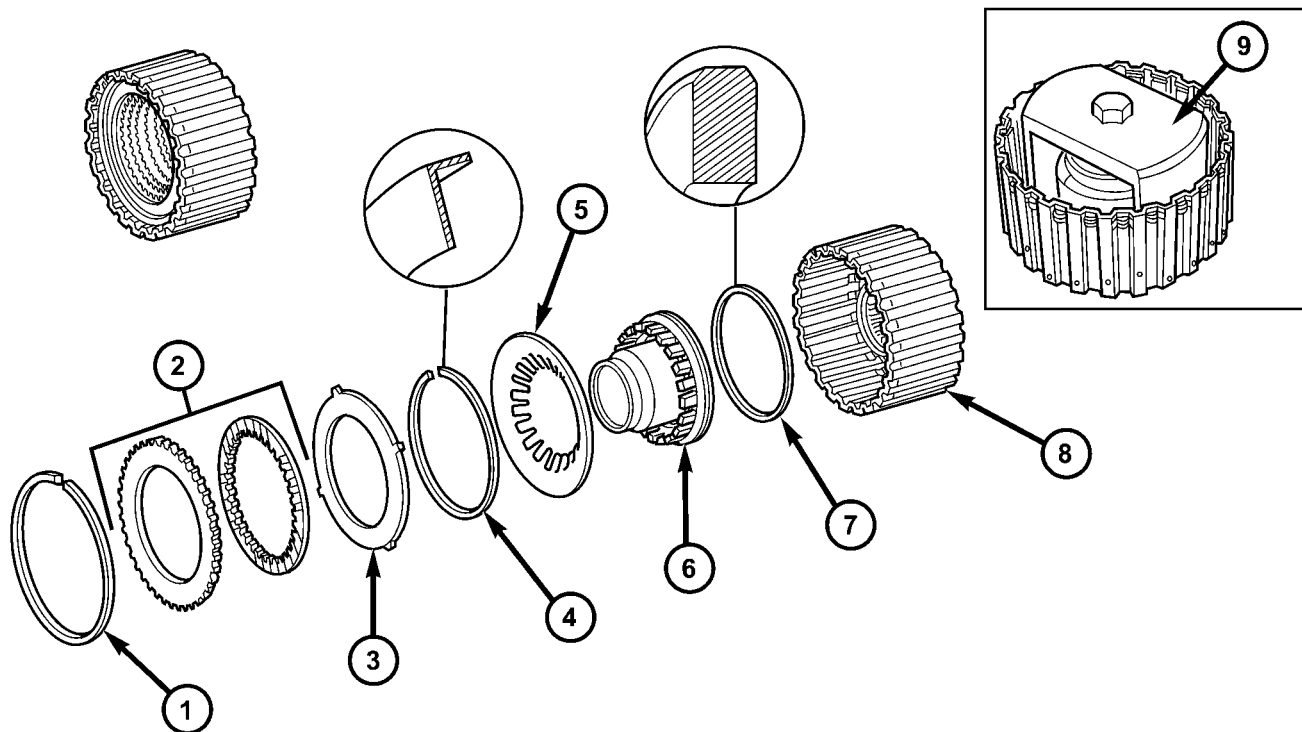
(14) Insert axial needle bearing (3) into K1 inner multiple-disk carrier. Insert axial needle bearing (3) with a little grease to prevent it slipping.

(15) Install input shaft in K1 inner multiple-disc carrier with integrated front gear set (2).

(16) Fit internally-gear wheel (18) and install snap-ring (19). Pay attention to installation position.

INPUT CLUTCH K3

DISASSEMBLY



80e43e11

Fig. 94 Input Clutch K3 Components

1 - SNAP-RING
 2 - MULTIPLE DISC PACK
 3 - DISC SPRING
 4 - SNAP-RING
 5 - SPRING PLATE

6 - PISTON
 7 - SEALING RING
 8 - OUTER DISC CARRIER
 9 - MULTI-USE SPRING COMPRESSOR 8900

(1) Remove snap-ring (1) (Fig. 94) from outer multiple-disc carrier.

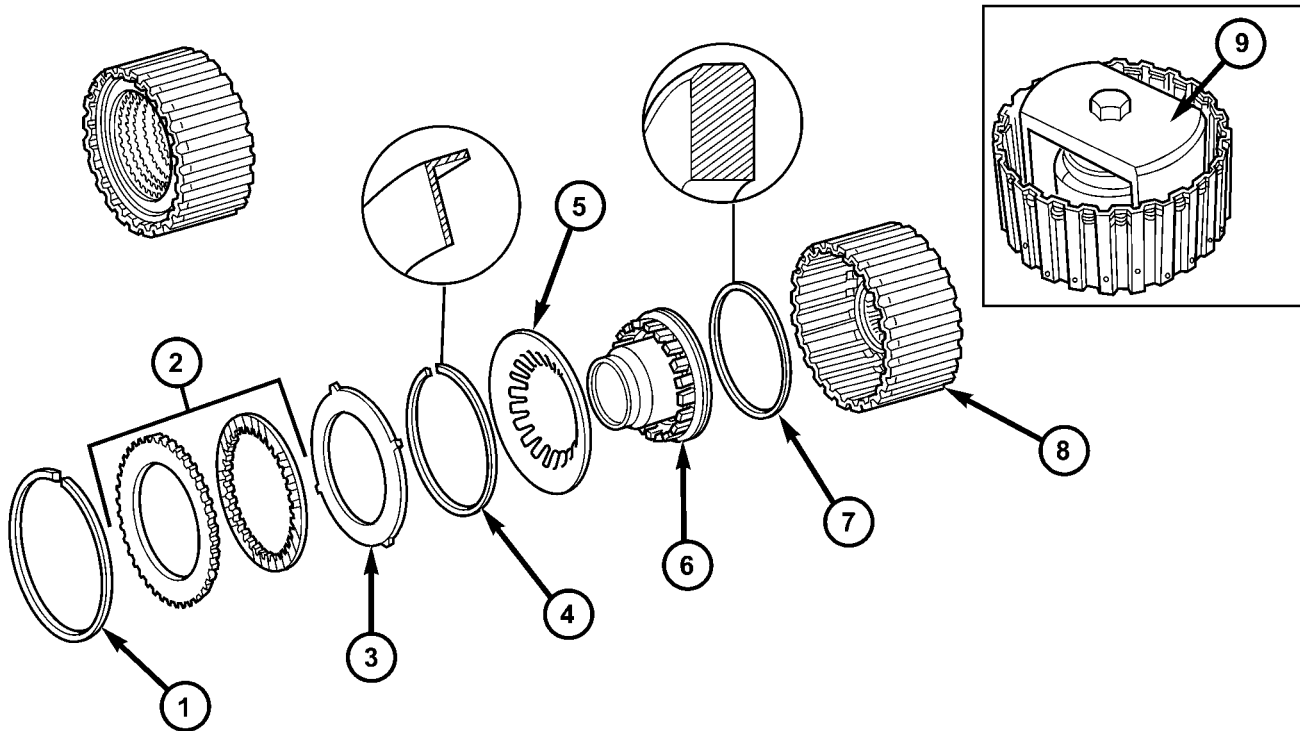
(2) Remove multiple-disc pack (2) and disk spring (3) from outer multiple-disc carrier. Note which clutch disc is removed just prior to the spring plate (3) for re-assembly. If the clutch discs are re-used, this disc must be returned to its original position on top of the spring plate.

(3) Place Multi-use Spring Compressor 8900 (9) (Fig. 94) on disc spring (5) and compress the spring until the snap-ring (4) is exposed.

(4) Remove snap-ring (4).

(5) Remove spring plate (5) and piston (6) from outer multiple-disc carrier.

ASSEMBLY



80e43e11

Fig. 95 Input Clutch K3 Components

- 1 - SNAP-RING
- 2 - MULTIPLE DISC PACK
- 3 - DISC SPRING
- 4 - SNAP-RING
- 5 - SPRING PLATE

- 6 - PISTON
- 7 - SEALING RING
- 8 - OUTER DISC CARRIER
- 9 - MULTI-USE SPRING COMPRESSOR 8900

(1) Install piston (6) (Fig. 95) in the outer multiple-disc carrier (8). Check sealing ring (7), replace if necessary. The rounded off edges of the sealing ring must point outwards.

(2) Insert disc spring (5). Insert disc spring with the curvature towards the piston.

(3) Mount the Multi-use Spring Compressor 8900 (9) on the spring plate and clamp until the snap-ring groove is exposed.

(4) Insert snap-ring (4). The collar of the snap-ring must point towards the multiple-disc pack.

CAUTION: When working with double sided friction discs, an externally lugged steel plate is installed first, followed by a friction disc, and continuing on until all the required discs are installed. When working with single sided friction discs, an externally lugged disc is installed first, followed by an internally lugged disc, and continuing on until all the required discs are installed. All single sided discs are installed with the friction side up.

NOTE: Pay attention to the sequence of discs. If the original clutch discs are reused, be sure to return

the disc identified on disassembly as belonging on top of the spring plate (3) to its original location.

NOTE: Place new friction multiple-discs in ATF fluid for one hour before installing.

(5) Install disk spring (3) and multiple-disc pack (2) in outer multiple-disc carrier (8).

(6) Insert snap-ring (1).

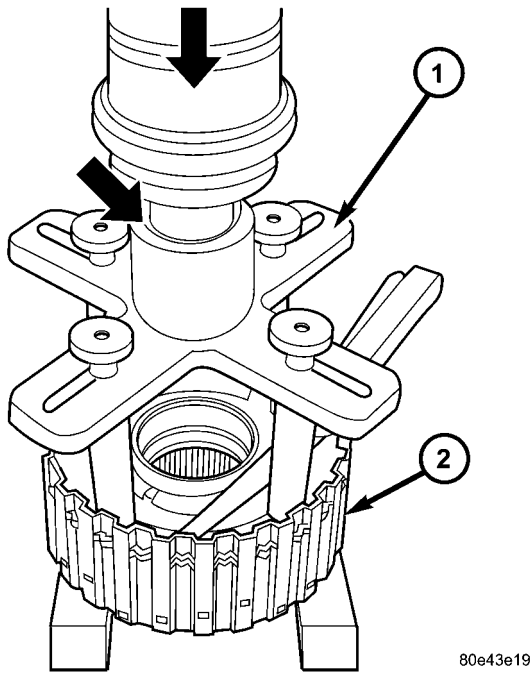


Fig. 96 Measure K3 Clutch Clearance

- 1 - PRESSING TOOL 8901
- 2 - OUTER DISC CARRIER

(7) Measure the K3 clutch clearance by mounting Pressing Tool 8901 (1) (Fig. 96) on outer multiple disc.

(8) Using a lever press, compress pressing tool as far as the stop (then the marking ring is still visible, see small arrow).

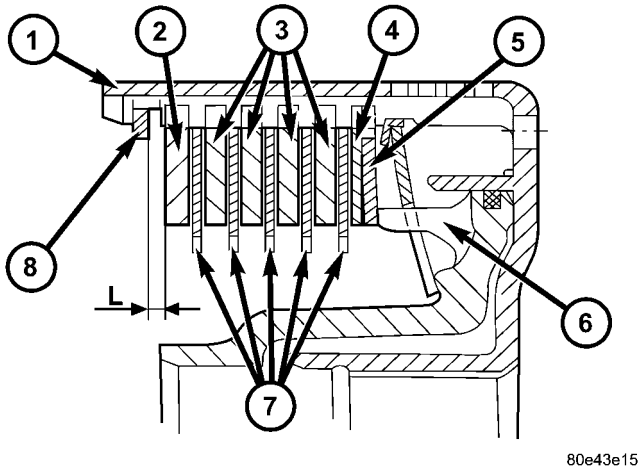


Fig. 97 Input Clutch K3 Stack-up - Double Sided Discs

- 1 - OUTER DISC CARRIER
- 2 - OUTER MULTIPLE DISC - 4.0 MM (0.158 IN.)
- 3 - OUTER MULTIPLE DISC - 2.8 MM (0.110 IN.)
- 4 - OUTER MULTIPLE DISC - 1.8 MM (0.079 IN.)
- 5 - DISC SPRING
- 6 - PISTON
- 7 - FRICTION DISCS - 2.1 MM (0.083 IN.)
- 8 - SNAP-RING

(9) For transmissions using double sided friction discs, use a feeler gauge to determine the play "L"

(Fig. 97) at three points between the snap-ring (8) and outer multiple-disc (2).

(10) During the measurement the snap-ring (8) must contact the upper bearing surface of the groove in the outer multiple-disc carrier.

(11) The correct clutch clearance for transmissions with double sided friction discs is 2.3-2.7 mm (0.091-0.106 in.) for three friction disc versions, 2.4-2.8 mm (0.095-0.110 in.) for four disc versions, and 2.5-2.9 mm (0.099-0.114 in.) for five disc versions.

(12) Adjust with snap-ring (8), if necessary. Snap-rings are available in thicknesses of 2.0 mm (0.079 in.), 2.3 mm (0.091 in.), 2.6 mm (0.102 in.), 2.9 mm (0.114 in.), 3.2 mm (0.126 in.), and 3.5 mm (0.138 in.).

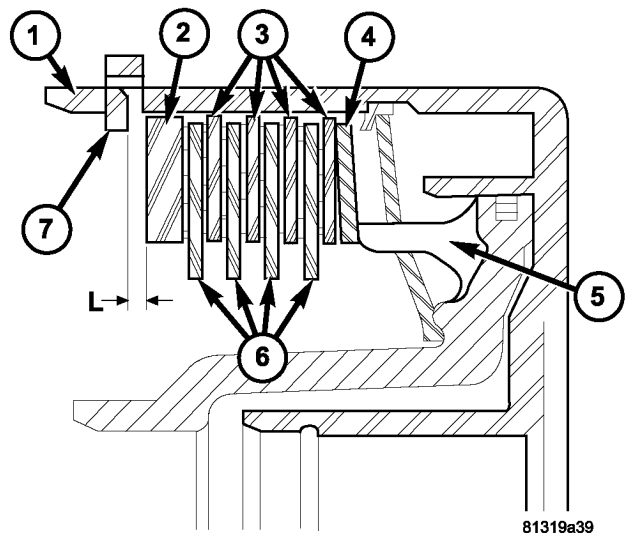


Fig. 98 Input Clutch K3 Stack-up - Single Sided Discs

- 1 - OUTER DISC CARRIER
- 2 - OUTER MULTIPLE DISC - 4.0 MM (0.158 IN.)
- 3 - OUTER MULTIPLE DISCS
- 4 - DISC SPRING
- 5 - PISTON
- 6 - INNER MULTIPLE DISCS
- 7 - SNAP-RING

(13) For transmissions using single sided friction discs, use a feeler gauge to determine the play "L" (Fig. 98) at three points between the snap-ring (7) and outer multiple-disc (2).

(14) During the measurement the snap-ring (7) must contact the upper bearing surface of the groove in the outer multiple-disc carrier.

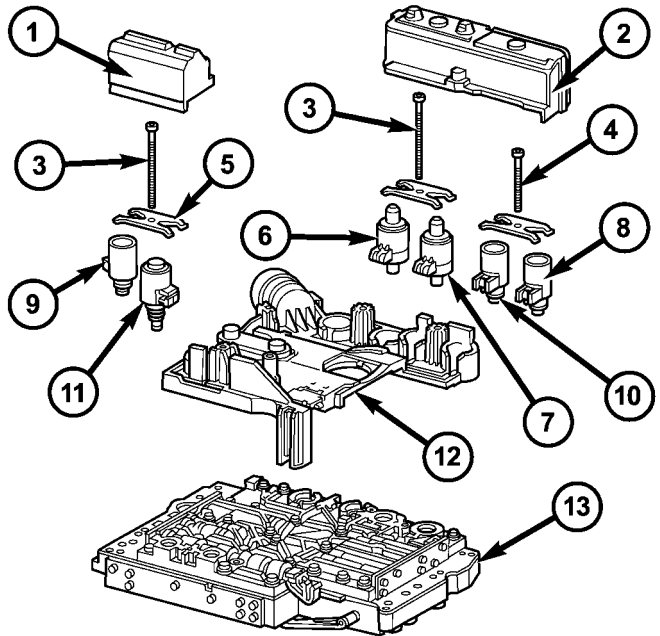
(15) The correct clutch clearance for transmissions with single sided friction discs is 2.3-2.7 mm (0.091-0.106 in.) for six friction disc versions, 2.4-2.8 mm (0.095-0.110 in.) for eight disc versions, and 2.5-2.9 mm (0.099-0.114 in.) for ten disc versions.

(16) Adjust with snap-ring (7), if necessary. Snap-rings are available in thicknesses of 2.0 mm (0.079 in.), 2.3 mm (0.091 in.), 2.6 mm (0.102 in.), 2.9 mm

(0.114 in.), 3.2 mm (0.126 in.), and 3.5 mm (0.138 in.).

ELECTROHYDRAULIC UNIT

DESCRIPTION



80e3edcc

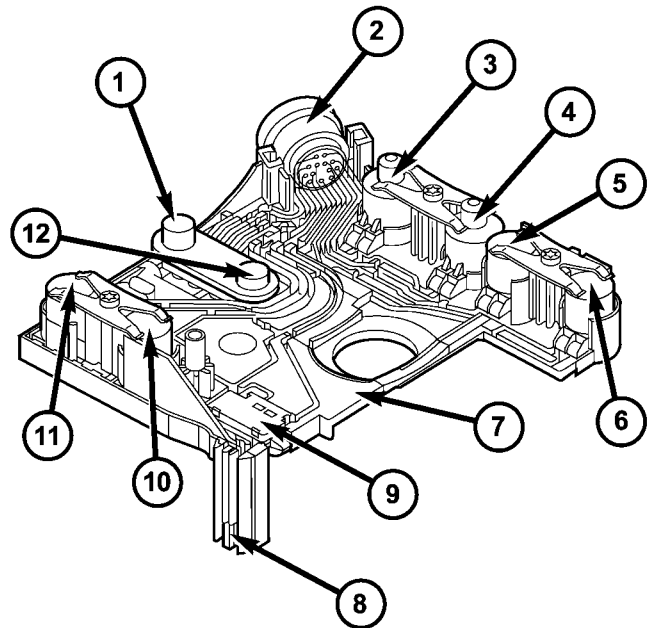
Fig. 99 Electrical Unit Components

- 1 - SOLENOID CAP
- 2 - SOLENOID CAP
- 3 - BOLT - M6X32
- 4 - BOLT - M6X30
- 5 - LEAF SPRING
- 6 - MODULATING PRESSURE REGULATING SOLENOID VALVE
- 7 - SHIFT PRESSURE REGULATING SOLENOID
- 8 - 3-4 SHIFT SOLENOID
- 9 - TORQUE CONVERTER LOCK-UP SOLENOID
- 10 - 1-2/4-5 SHIFT SOLENOID
- 11 - 2-3 SHIFT SOLENOID
- 12 - ELECTRICHYDRAULIC CONTROL MODULE
- 13 - SHIFT PLATE

The electrohydraulic control unit (Fig. 99) comprises the shift plate (13) made from light alloy for the hydraulic control and an electrical control unit (12). The electrical control unit (12) comprises of a supporting body made of plastic, into which the electrical components (1 - 11) are assembled. The supporting body is mounted on the shift plate (13) and screwed to it.

Strip conductors inserted into the supporting body make the connection between the electrical components and a plug connector. The connection to the wiring harness on the vehicle and the transmission control module (TCM) is produced via this 13-pin plug connector with a bayonet lock.

ELECTRICAL CONTROL UNIT



80e2d06e

Fig. 100 Electrical Control Unit

- 1 - N3 SPEED SENSOR
- 2 - PLUG CONNECTOR
- 3 - MODULATING PRESSURE REGULATING SOLENOID
- 4 - SHIFT PRESSURE REGULATING SOLENOID
- 5 - 1-2/4-5 SHIFT SOLENOID
- 6 - 3-4 SHIFT SOLENOID
- 7 - ELECTRICAL CONTROL UNIT
- 8 - TRANSMISSION TEMPERATURE SENSOR
- 9 - STARTER INTERLOCK CONTACT
- 10 - 2-3 SHIFT SOLENOID
- 11 - TORQUE CONVERTER LOCK-UP SOLENOID
- 12 - N2 SPEED SENSOR

The electric valve control unit (7) (Fig. 100) consists of a plastic shell which houses the RPM sensors (1,12), regulating solenoid valves (3, 4), solenoid valves (5, 6, 10), the TCC solenoid valve (11), the park/neutral contact (9), and the transmission oil temperature sensor (8). Conductor tracks integrated into the shell connect the electric components to a plug connection (2). This 13-pin plug connection (2) establishes the connection to the vehicle-side cable harness and to the transmission control module (TCM). With the exception of the solenoid valves, all other electric components are fixed to the conductor tracks.

HYDRAULIC CONTROL UNIT

Working Pressure (Line Pressure or Operating Pressure)
(p - A)

The working pressure provides the pressure supply to the hydraulic control and the transmission shift elements. It is the highest hydraulic pressure in the entire hydraulic system. The working pressure is regulated at the working pressure regulating valve in

relation to the load and gear. All other pressures required for the transmission control are derived from the working pressure.

Lubrication Pressure (p - Sm)

At the working pressure regulating valve surplus oil is diverted to the lubrication pressure regulating valve, from where it is used in regulated amounts to lubricate and cool the mechanical transmission components and the torque converter. Furthermore, the lubrication pressure (p-Sm) is also used to limit the pressure in the torque converter.

Shift Pressure (p - S)

The shift pressure is determined by the shift pressure regulating solenoid valve and the shift pressure regulating valve. The shift pressure:

- Regulates the pressure in the activating shift element during the shift phase.
- Determines together with the modulating pressure the pressure reduction at the deactivating shift element as regulated by the overlap regulating valve.
- Initializes 2nd gear in limp-home mode.

Modulating Pressure (p - Mod)

The modulating pressure influences the size of the working pressure and determines together with the shift pressure the pressure regulated at the overlap regulating valve. The modulating pressure is regulated at the modulating pressure regulating solenoid valve, which is under regulating valve pressure. The modulating pressure is variable and relative to the engine load.

Regulating Valve / Control Valve Pressure (p - RV)

The regulating valve pressure is regulated at the regulating valve pressure regulating valve in relation to the working pressure (p-A) up to a maximum pressure of 8 bar (116 psi). It supplies the modulating pressure regulating solenoid valve, the shift pressure regulating solenoid valve and the shift valve pressure regulating valve.

Shift Valve Pressure (p - SV)

The shift valve pressure (p-SV) is derived from the regulating valve pressure (p-RV), is regulated at the shift valve pressure regulating valve and is then present at the:

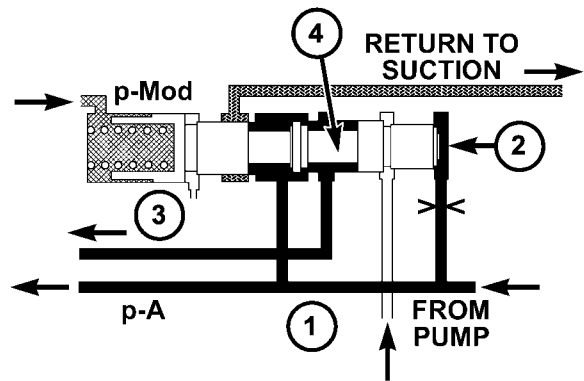
- 1-2 and 4-5 shift solenoid valve.
- 3-4 shift solenoid valve.
- 2-3 shift solenoid valve.
- Torque converter lockup solenoid valve.
- 3-4 and 2-3 shift pressure shift valve.

The shift valve pressure (p-SV) controls the command valves via the upshift/downshift solenoid valves.

Overlap Pressure (p - Ü)

The overlap pressure controls the shift component pressure reduction during a shift phase. The pressure in a shift element as it disengages is controlled during the shift phase depending on engine load (modulating pressure) and the pressure in the shift element as it engages. The adjusted pressure is inversely proportional to the transmission capability of the shift element being engaged (controlled overlap).

Working Pressure Regulating Valve (Operating Pressure)



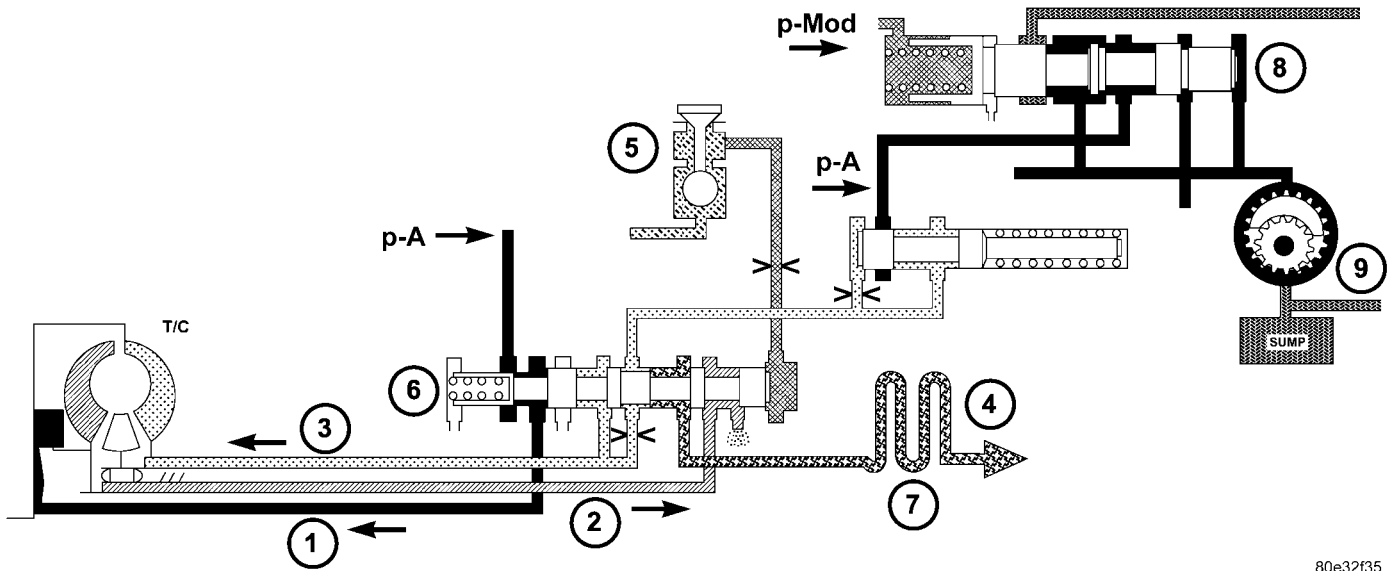
80e32e19

Fig. 101 Working Pressure Regulating Valve

- 1 - PRESSURE FROM K1/K2
- 2 - END FACE
- 3 - TO TORQUE CONVERTER REGULATING VALVE
- 4 - WORKING PRESSURE REGULATING VALVE

The working pressure regulating valve (4) (Fig. 101) is located in the valve housing of the shift plate. It regulates the primary pressure of the hydraulic system.

Torque Converter Lockup Clutch Regulating Valve



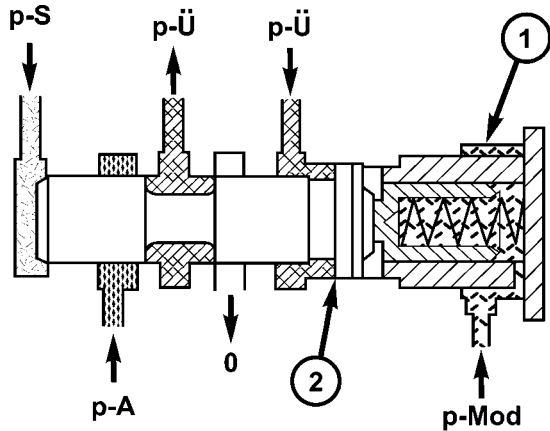
80e32f35

Fig. 102 Torque Converter Lockup Clutch Regulating Valve

- | | |
|---------------------------------------|--|
| 1 - TORQUE CONVERTER LOCK-UP CLUTCH | 6 - TORQUE CONVERTER LOCK-UP CLUTCH REGULATING VALVE |
| 2 - TORQUE CONVERTER OUTPUT | 7 - OIL COOLER |
| 3 - TORQUE CONVERTER INPUT | 8 - LINE PRESSURE REGULATING VALVE |
| 4 - LUBRICATION | 9 - OIL PUMP |
| 5 - TORQUE CONVERTER LOCK-UP SOLENOID | |

The torque converter lock-up clutch regulating valve (6) (Fig. 102) is located in the valve housing of the electrohydraulic control module. The valve is responsible for the hydraulic control of the torque converter lockup clutch and distribution of the lubricating oil.

Overlap Regulating Valve



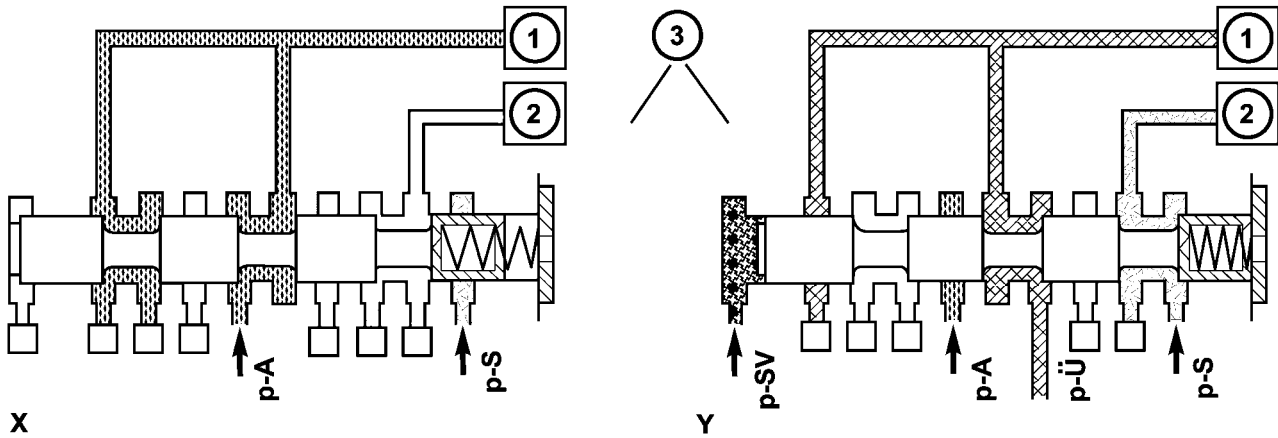
80e32f94

Fig. 103 Overlap Regulating Valve

- 1 - OVERLAP REGULATING VALVE
2 - ANNULAR SURFACE ON OVERLAP REGULATING VALVE

Each shift group is assigned one overlap regulating valve (1) (Fig. 103). The 1-2 / 4-5 overlap regulating valve is installed in the shift valve housing; the 2-3 and 3-4 overlap regulating valves are installed in the valve housing. The overlap regulating valve regulates the pressure reduction during a shift phase.

Command Valve



80e33b67

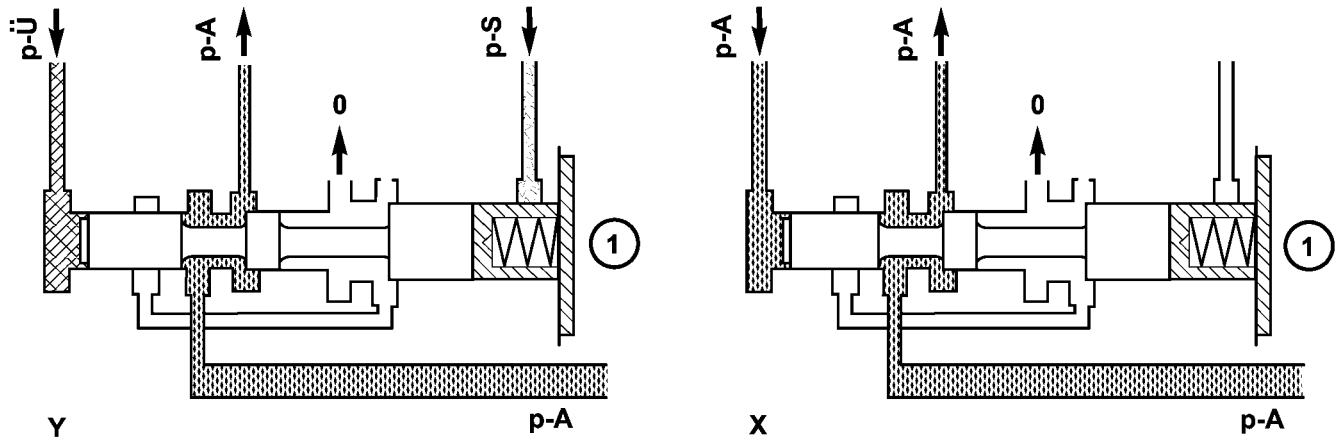
Fig. 104 Command Valve

- 1 - HOLDING CLUTCH B1
- 2 - DRIVING CLUTCH K1

3 - 1-2/4-5 COMMAND VALVE

Each shift group possesses one command valve (3) (Fig. 104). The 1-2 / 4-5 and 2-3 command valves are installed in the shift valve housing, the 3-4 command valve is installed in the valve housing. The command valve switches the shift group from the stationary phase to the shift phase and back again.

Holding Pressure Shift Valve



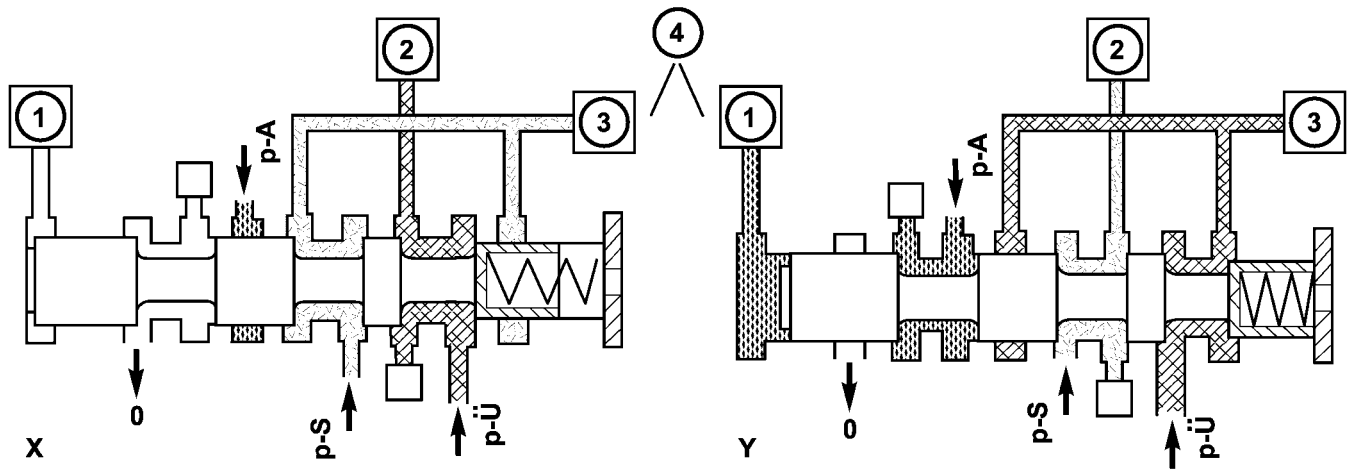
80e33c95

Fig. 105 Holding Pressure Shift Valve

1 - HOLDING PRESSURE SHIFT VALVE

Each shift group possesses one holding pressure shift valve (1) (Fig. 105). The 1-2 / 4-5 and 2-3 holding pressure shift valves are installed in the shift valve housing; the 3-4 holding pressure shift valve is installed in the valve housing. The holding pressure shift valve allocates the working pressure to one actuator of a shift group.

Shift Pressure Shift Valve



80e33cde

Fig. 106 Shift Pressure Shift Valve

1 - 1-2/4-5 COMMAND VALVE
2 - DRIVING CLUTCH K1

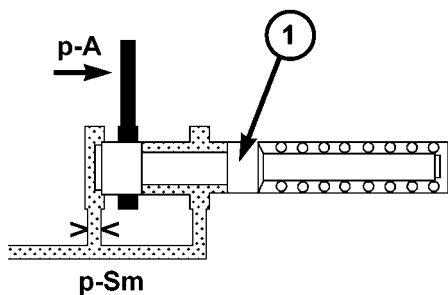
3 - HOLDING CLUTCH B1
4 - 1-2/4-5 SHIFT PRESSURE SHIFT VALVE

Each shift group possesses one shift pressure shift valve (4) (Fig. 106). The 1-2 / 4-5 and 2-3 shift pressure shift valves are installed in the shift valve housing; the 3-4 shift pressure shift valve is installed in the valve housing. It assigns the shift pressure (p-S) to the activating actuator and the overlap pressure (p-Ü) regulated by the overlap regulating valve to the deactivating actuator.

transmission, and limits the pressure in the torque converter.

Shift Pressure Regulating Valve

Lubrication Pressure Regulating Valve

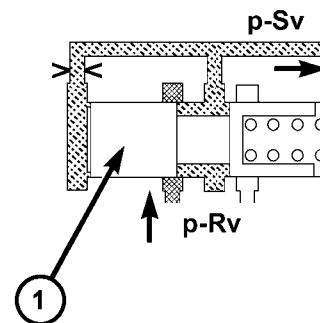


80e33d95

Fig. 107 Lubrication Pressure Regulating Valve

1 - LUBRICATION PRESSURE REGULATING VALVE

The lubrication pressure regulating valve (1) (Fig. 107) is located in the valve housing of the electrohydraulic control module. The valve controls the fluid to lubricate and cool the mechanical part of the



80e33db3

Fig. 108 Shift Pressure Regulating Valve

1 - SHIFT PRESSURE REGULATING VALVE

The shift pressure regulating valve (1) (Fig. 108) is located in the valve housing of the shift plate. It regulates the shift pressure (p-S).

Regulating Valve Pressure Regulating Valve

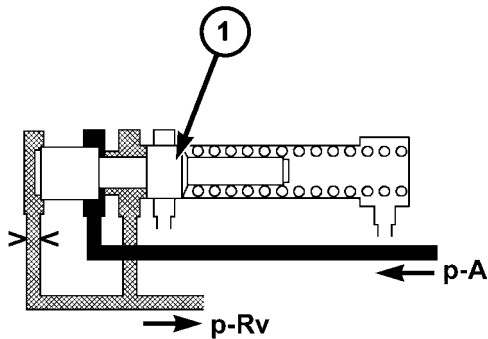
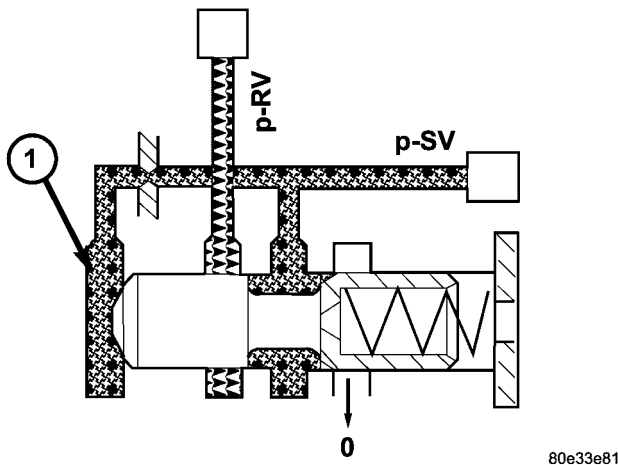


Fig. 109 Regulating Valve Pressure Regulating Valve

1 - REGULATING VALVE PRESSURE REGULATING VALVE

The regulating valve pressure regulating valve (1) (Fig. 109) is located in the valve housing of the electrohydraulic control module. It regulates the regulating valve/control valve pressure (p-RV).

Shift Valve Pressure Regulating Valve



80e33e81

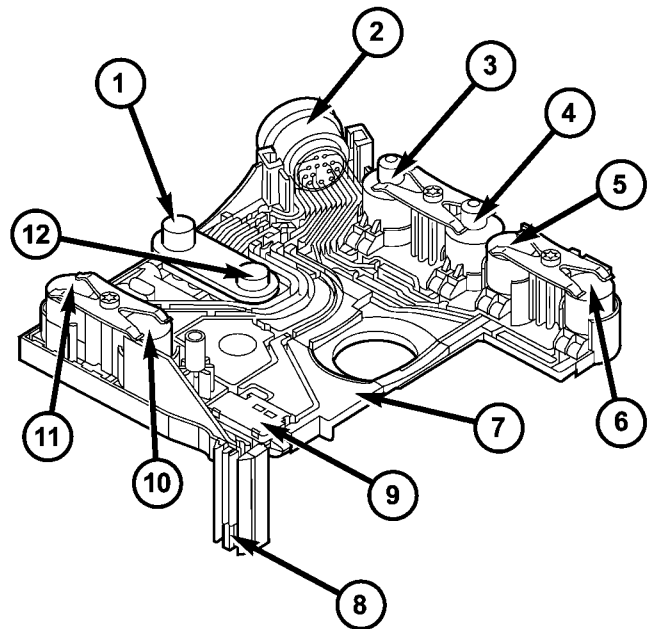
Fig. 110 Shift Valve Pressure Regulating Valve

1 - SHIFT VALVE PRESSURE REGULATING VALVE

The shift valve pressure regulating valve (1) (Fig. 110) is located in the valve housing of the electrohydraulic control module. It regulates the shift valve pressure (p-SV).

OPERATION

ELECTRICAL CONTROL UNIT



80e2d06e

Fig. 111 Electrical Control Unit

- 1 - N3 SPEED SENSOR
- 2 - PLUG CONNECTOR
- 3 - MODULATING PRESSURE REGULATING SOLENOID
- 4 - SHIFT PRESSURE REGULATING SOLENOID
- 5 - 1-2/4-5 SHIFT SOLENOID
- 6 - 3-4 SHIFT SOLENOID
- 7 - ELECTRICAL CONTROL UNIT
- 8 - TRANSMISSION TEMPERATURE SENSOR
- 9 - STARTER INTERLOCK CONTACT
- 10 - 2-3 SHIFT SOLENOID
- 11 - TORQUE CONVERTER LOCK-UP SOLENOID
- 12 - N2 SPEED SENSOR

Signals from the transmission control module (TCM) are converted into hydraulic functions in the electric valve control unit (7) (Fig. 111). The RPM sensors (1, 12), starter interlock contact (9), and transmission oil temperature sensor (8) of the electric valve control unit (7) supply the TCM with input signals. The solenoid valves are controlled by the TCM and trigger the hydraulic functions.

HYDRAULIC CONTROL UNIT

Working Pressure Regulating Valve (Line Pressure or Operating Pressure)

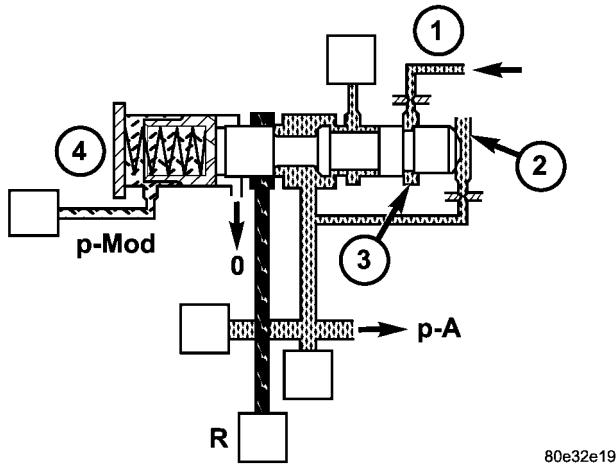
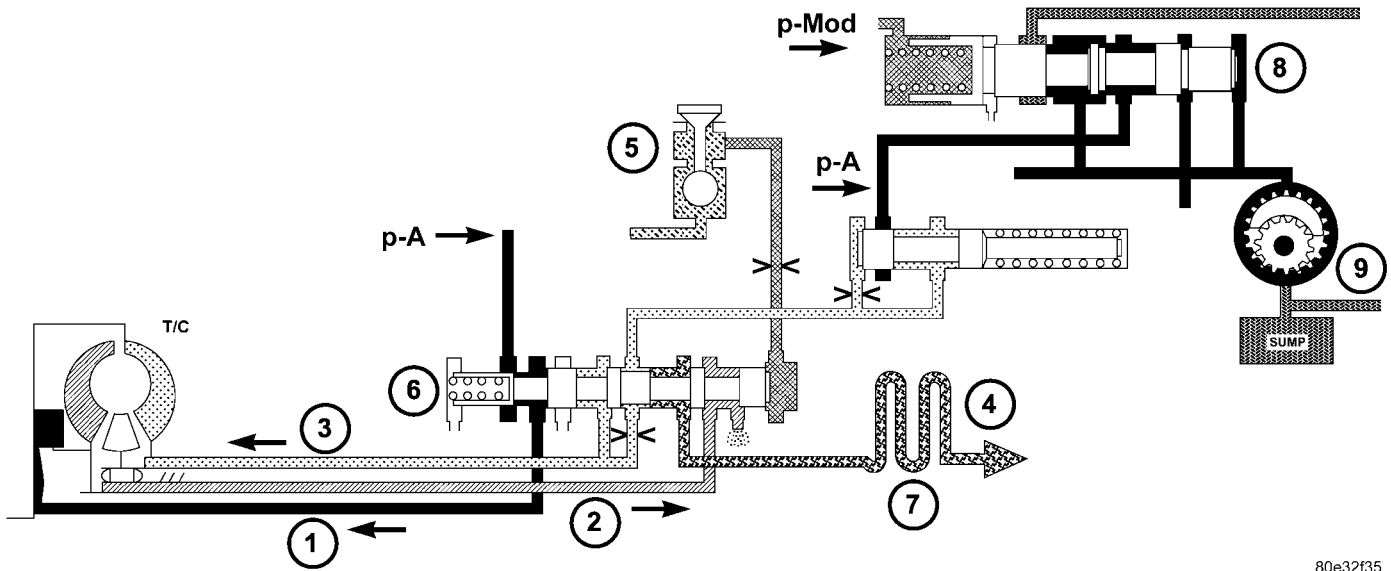


Fig. 112 Working Pressure Regulating Valve

- 1 - PRESSURE FROM K1/K2
- 2 - END FACE
- 3 - ANNULAR SURFACE
- 4 - WORKING PRESSURE REGULATING VALVE

The working pressure ($p-A$) is regulated at the working pressure regulating valve (4) (Fig. 112) in relation to load (modulating pressure, $p-Mod$) and gear (K1 or K2 pressure) (1). The spring in the working pressure regulating valve sets a minimum pressure level (basic pressure).

Torque Converter Lockup Clutch Regulating Valve



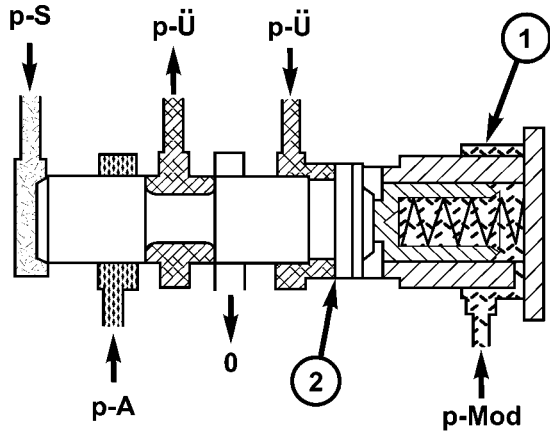
80e32f35

Fig. 113 Torque Converter Lockup Clutch Regulating Valve

- | | |
|---------------------------------------|--|
| 1 - TORQUE CONVERTER LOCK-UP CLUTCH | 6 - TORQUE CONVERTER LOCK-UP CLUTCH REGULATING VALVE |
| 2 - TORQUE CONVERTER OUTPUT | 7 - OIL COOLER |
| 3 - TORQUE CONVERTER INPUT | 8 - LINE PRESSURE REGULATING VALVE |
| 4 - LUBRICATION | 9 - OIL PUMP |
| 5 - TORQUE CONVERTER LOCK-UP SOLENOID | |

The torque converter lockup clutch regulating valve (6) (Fig. 113) regulates the torque converter lock-up clutch working pressure (p-TCC) in relation to the torque converter clutch control pressure (p-S/TCC). According to the size of the working pressure (p-A), the torque converter lockup clutch is either Engaged, Disengaged, or Slipping. When the regulating valve (6) is in the lower position, lubricating oil flows through the torque converter and oil cooler (8) into the transmission (torque converter lockup clutch unpressurized). In its regulating position (slipping, torque converter lockup clutch pressurized), a reduced volume of lubricating oil flows through the annular passage (7) bypassing the torque converter and passing direct through the oil cooler into the transmission. The rest of the lubricating oil is directed via the throttle "a" into the torque converter in order to cool the torque converter lockup clutch.

Overlap Regulating Valve



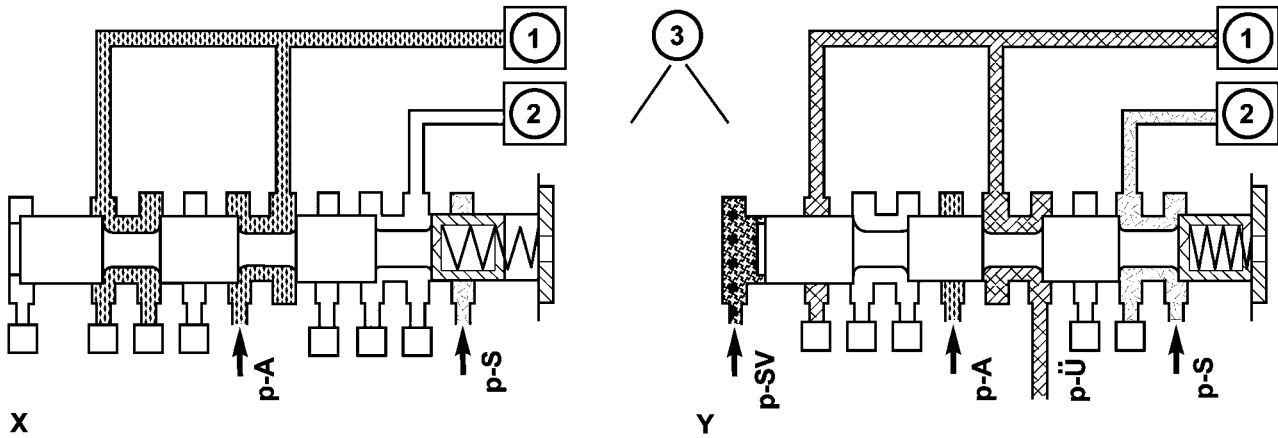
80e32f94

Fig. 114 Overlap Regulating Valve

- 1 - OVERLAP REGULATING VALVE
 2 - ANNULAR SURFACE ON OVERLAP REGULATING VALVE

During the shift phase the pressure (Fig. 114) in the deactivating shift actuator is regulated in relation to the engine load (modulating pressure, p-Mod) and the pressure in the activating actuator. The regulated pressure is inversely proportional to the transfer capacity of the activating shift actuator (regulated overlap).

Command Valve



80e33b67

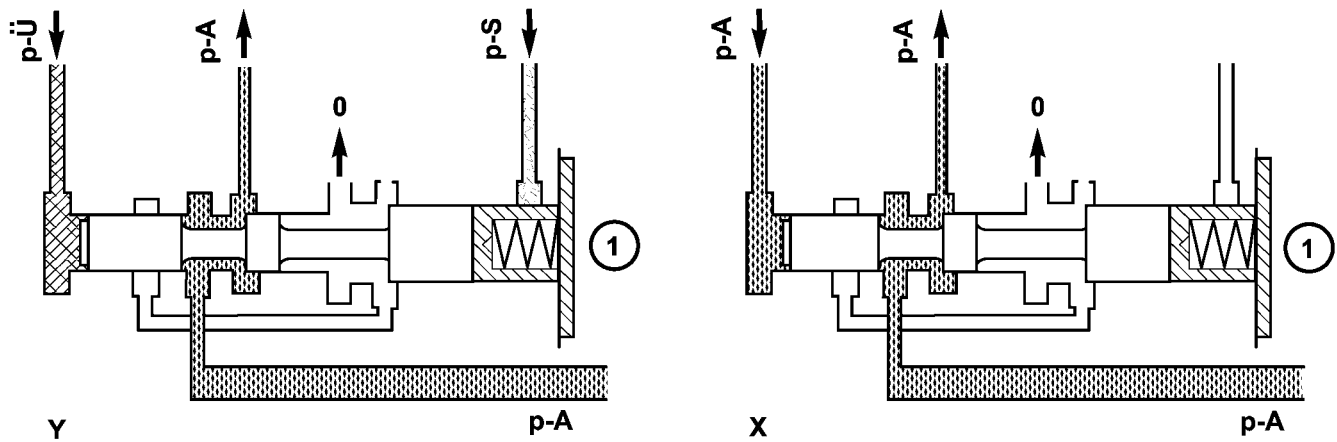
Fig. 115 Command Valve

1 - HOLDING CLUTCH B1
2 - DRIVING CLUTCH K1

3 - 1-2/4-5 COMMAND VALVE

When the end face is unpressurized (stationary phase), the working pressure (p-A) is directed to the actuated shift element. If the end face of the command valve (Fig. 115) is subjected to the shift valve pressure (p-SV) (shift phase), then the shift pressure (p-S) is switched to the activating element and the overlap pressure (p-Ü) is switched to the deactivating element.

Shift Valve Holding Pressure



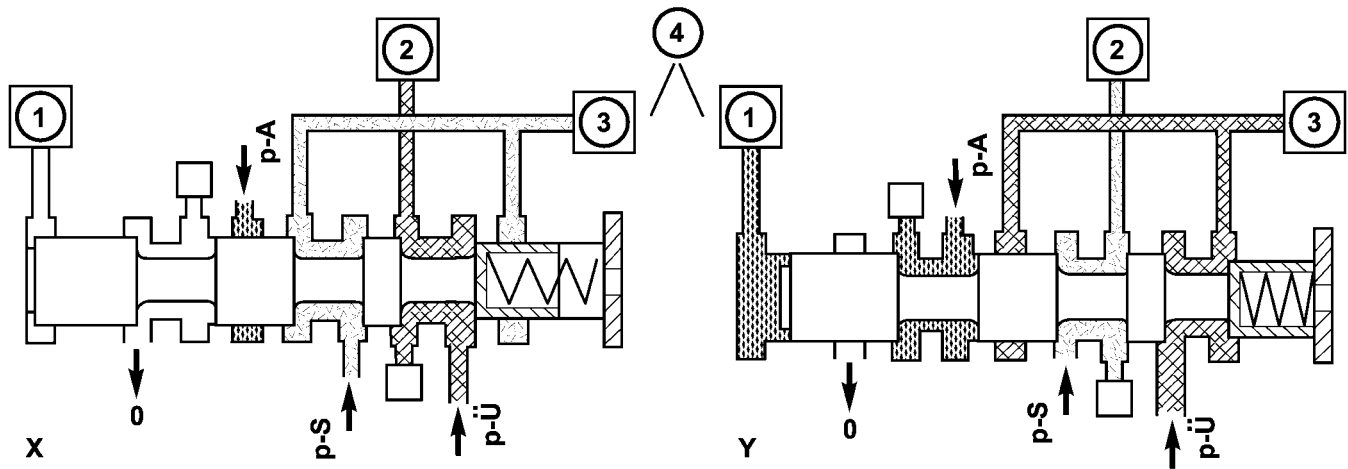
80e33c95

Fig. 116 Shift Valve Holding Pressure

1 - HOLDING PRESSURE SHIFT VALVE

The holding pressure shift valve (1) (Fig. 116) is actuated by the pressures present at the end face in the actuators and a spring. It assigns the working pressure (p-A) to the actuator with the higher pressure (taking into account the spring force and the effective surface area). The other element of the shift group is then unpressurized. The valve switches over only during the shift phase and only at a certain pressure ratio between the overlap pressure (p-Ü) and the shift pressure (p-S).

Shift Pressure Shift Valve



80e33cde

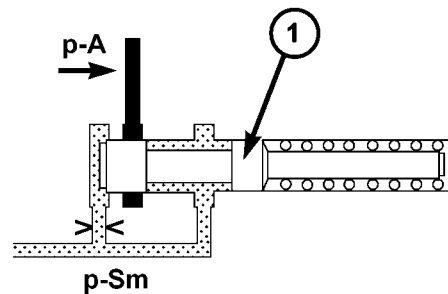
Fig. 117 Shift Pressure Shift Valve

- 1 - 1-2/4-5 COMMAND VALVE
- 2 - DRIVING CLUTCH K1

- 3 - HOLDING CLUTCH B1
- 4 - 1-2/4-5 SHIFT PRESSURE SHIFT VALVE

When the multiple-disc brake B1 (3) is activated, the working pressure ($p-A$) is applied to the end face of the 1-2 / 4-5 shift pressure shift valve (4) (Fig. 117) via the command valve (1). Its shift state is maintained during the shift phase by substituting the shift element pressure acting on its end face (and which is variable during the shift phase) with a corresponding constant pressure. When the multi-plate clutch K1 (2) is activated, the end face of the shift valve is unpressurized during the stationary and shift phases, so the shift state is maintained during the shift phase in this case too.

Lubrication Pressure Regulating Valve



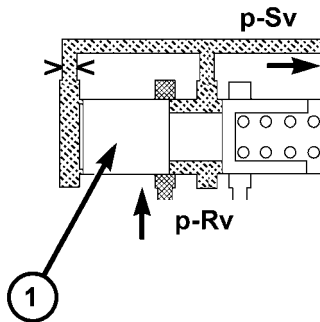
80e33d95

Fig. 118 Lubrication Pressure Regulating Valve

- 1 - LUBRICATION PRESSURE REGULATING VALVE

At the working pressure regulating valve surplus oil is diverted to the lubrication pressure regulating valve (1) (Fig. 118), from where the lubrication pressure ($p-Sm$) is used in regulated amounts to supply the transmission lubrication system including the torque converter.

Shift Pressure Regulating Valve



80e33db3

Fig. 119 Shift Pressure Regulating Valve

1 - SHIFT PRESSURE REGULATING VALVE

The shift pressure is determined by the shift pressure regulating solenoid valve and the shift pressure regulating valve (3) (Fig. 119). In addition, pressure from the clutch K2 (1) is also present at the annular surface (2) of the shift pressure regulating valve (3). This reduces the shift pressure in 2nd gear.

Regulating Valve Pressure Regulating Valve

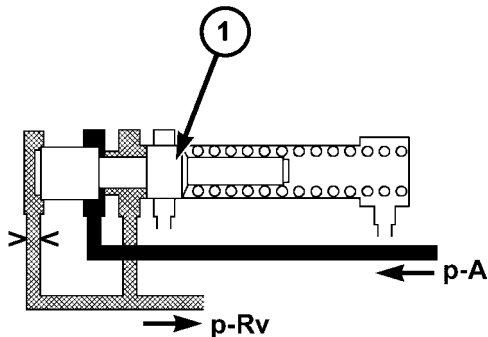
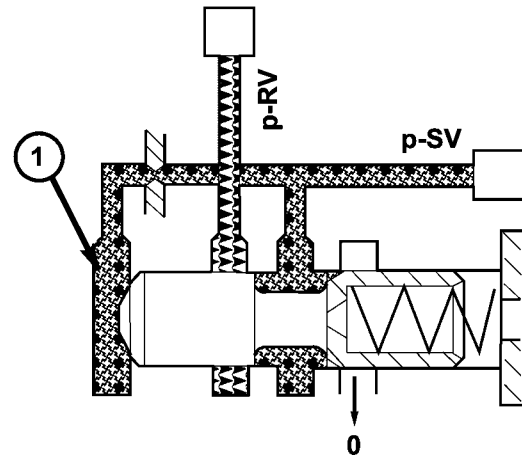


Fig. 120 Regulating Valve Pressure Regulating Valve

1 - REGULATING VALVE PRESSURE REGULATING VALVE

The regulating valve pressure (p-RV) is set at the regulating valve pressure regulating valve (1) (Fig. 120) in relation to the working pressure (p-A) as far as the maximum pressure.

Shift Valve Pressure Regulating Valve



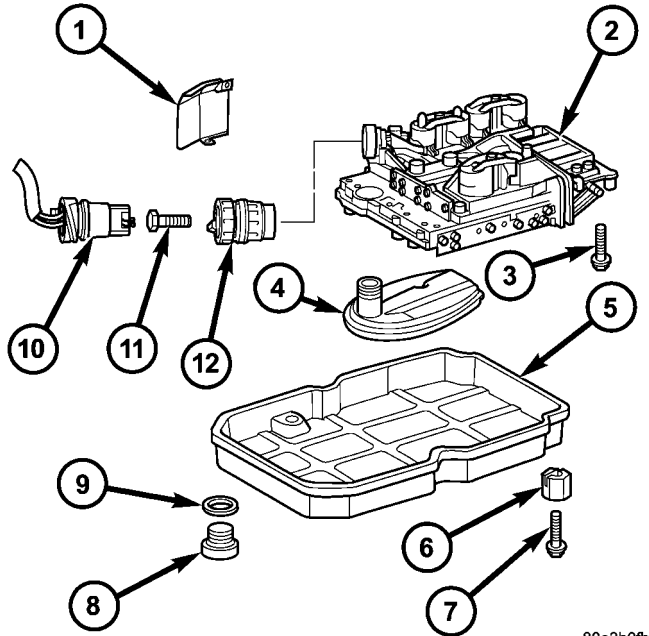
80e33e81

Fig. 121 Shift Valve Pressure Regulating Valve

1 - SHIFT VALVE PRESSURE REGULATING VALVE

The non-constant regulating valve pressure (p-RV) is regulated to a constant shift valve pressure (p-SV) at the shift valve pressure regulating valve (1) (Fig. 121) and is used to supply the 1-2 and 4-5 / 3-4 / 2-3 solenoid valves and the torque converter lockup clutch PWM solenoid valve.

REMOVAL



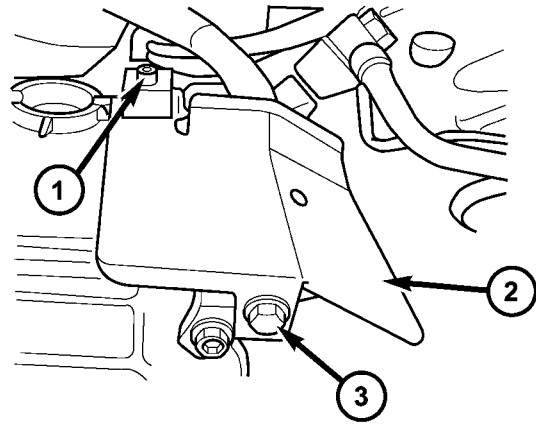
80e3b0fb

Fig. 122 Remove Electrohydraulic Unit

- 1 - HEAT SHIELD
- 2 - ELECTROHYDRAULIC UNIT
- 3 - BOLT
- 4 - OIL FILTER
- 5 - OIL PAN
- 6 - CLAMPING ELEMENT
- 7 - BOLT
- 8 - DRAIN PLUG
- 9 - DRAIN PLUG GASKET
- 10 - 13-PIN PLUG CONNECTOR
- 11 - BOLT
- 12 - GUIDE BUSHING

(1) Drain transmission oil by unscrewing oil drain plug (8) (Fig. 122).

NOTE: If the transmission fluid is burnt or contains abraded particles, the oil cooler lines and oil cooler must be flushed out.

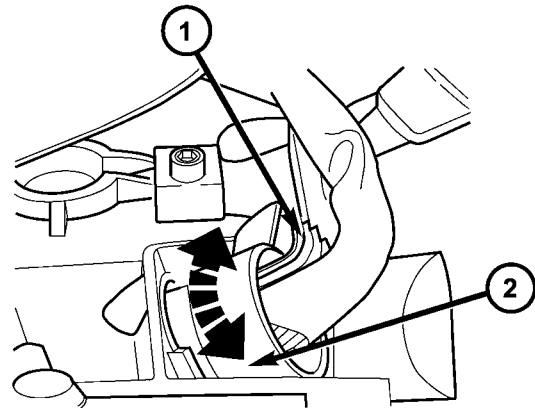


80e3b115

Fig. 123 Remove Heat Shield

- 1 - SCREW
- 2 - HEAT SHIELD
- 3 - BOLT

- (2) Move selector lever to position "P".
- (3) Raise vehicle.
- (4) Remove bolt (3) (Fig. 123) and screw (1) holding the heat shield (2) to the transmission.



80e3b14f

Fig. 124 Remove Wiring Connector Plug

- 1 - PLUG CONNECTOR
- 2 - GUIDE BUSHING

(5) Disconnect 13-pin plug connector (1) (Fig. 124). Turn bayonet lock of guide bushing (2) anti-clockwise.

(6) Loosen guide bushing (2) and remove from transmission housing.

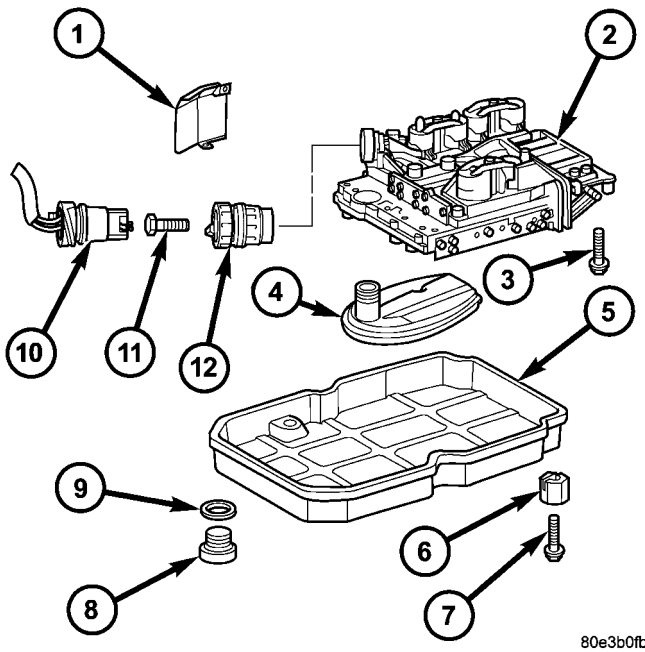


Fig. 125 Remove Electrohydraulic Unit

- 1 - HEAT SHIELD
- 2 - ELECTROHYDRAULIC UNIT
- 3 - BOLT
- 4 - OIL FILTER
- 5 - OIL PAN
- 6 - CLAMPING ELEMENT
- 7 - BOLT
- 8 - DRAIN PLUG
- 9 - DRAIN PLUG GASKET
- 10 - 13-PIN PLUG CONNECTOR
- 11 - BOLT
- 12 - GUIDE BUSHING

- (7) Detach oil pan (5) (Fig. 125).
- (8) Remove oil filter (4).
- (9) Unscrew Torx socket bolts (3) and remove electrohydraulic control module (2).

DISASSEMBLY

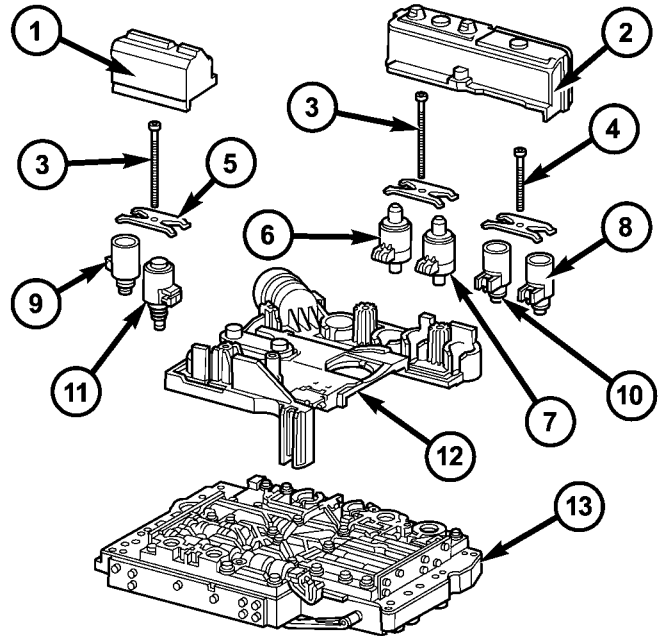


Fig. 126 Electrical Unit Components

- 1 - SOLENOID CAP
- 2 - SOLENOID CAP
- 3 - BOLT - M6X32
- 4 - BOLT - M6X30
- 5 - LEAF SPRING
- 6 - MODULATING PRESSURE REGULATING SOLENOID VALVE
- 7 - SHIFT PRESSURE REGULATING SOLENOID
- 8 - 3-4 SHIFT SOLENOID
- 9 - TORQUE CONVERTER LOCK-UP SOLENOID
- 10 - 1-2/4-5 SHIFT SOLENOID
- 11 - 2-3 SHIFT SOLENOID
- 12 - ELECTRICHYDRAULIC CONTROL MODULE
- 13 - SHIFT PLATE

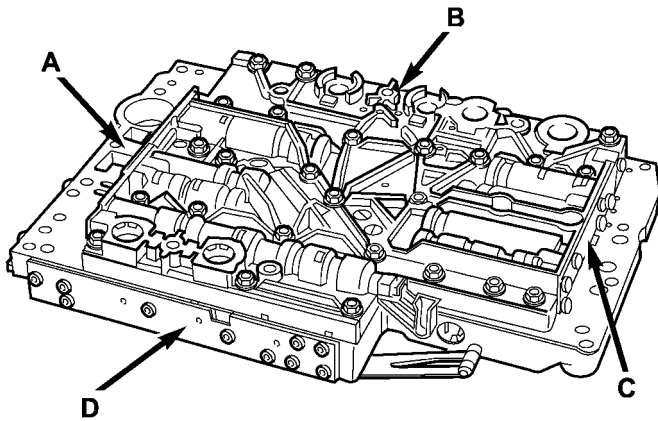
- (1) Remove electrohydraulic unit from the vehicle. (Refer to 21 - TRANSMISSION/AUTOMATIC TRANSMISSION - NAG1/ELECTROHYDRAULIC UNIT - REMOVAL)
- (2) Remove solenoid caps (1, 2) (Fig. 126).
- (3) Unscrew Torx® socket bolts (3, 4) (Fig. 126).

NOTE: Pay attention to the different lengths of the Torx® socket bolts.

- (4) Remove leaf springs (5).
- (5) Withdraw solenoid valves (6 - 11) from shift plate (13).

NOTE: Check O-rings on solenoid valves for damage and replace if necessary.

- (6) Bend away retaining lug on stiffening rib on transmission oil temperature sensor.
- (7) Remove electrohydraulic control module (12) from the shift plate (13).



80e3ee2b

Fig. 127 Shift Valve Group Locations

- A - OPERATING AND LUBRICATING PRESSURE REGULATING VALVES AND 2-3 OVERLAP VALVE
- B - 1-2/4-5 SHIFT GROUP AND SHIFT, SHIFT VALVE, AND REGULATING VALVE PRESSURE REGULATING VALVES
- C - 3-4 SHIFT GROUP
- D - 2-3 SHIFT GROUP, TCC LOCK-UP AND B2 REGULATING VALVES

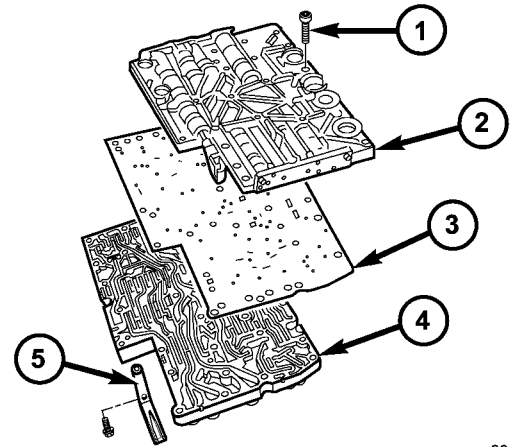
(8) Note the locations of the major shift valve group components for assembly reference. (Fig. 127)

A - Operating and Lubricating Pressure Regulating valves and 2-3 Overlap valve

B - 1-2/4-5 Shift Group and Shift, Shift Valve, and Regulating Valve Pressure Regulating Valves

C - 3-4 Shift Group

D - 2-3 Shift Group, TCC Lock-up, and B2 Regulating Valves



80e3ee93

Fig. 128 Shift Plate Components

- 1 - BOLTS - 29
- 2 - VALVE HOUSING
- 3 - SEALING PLATE
- 4 - VALVE BODY
- 5 - LEAF SPRING

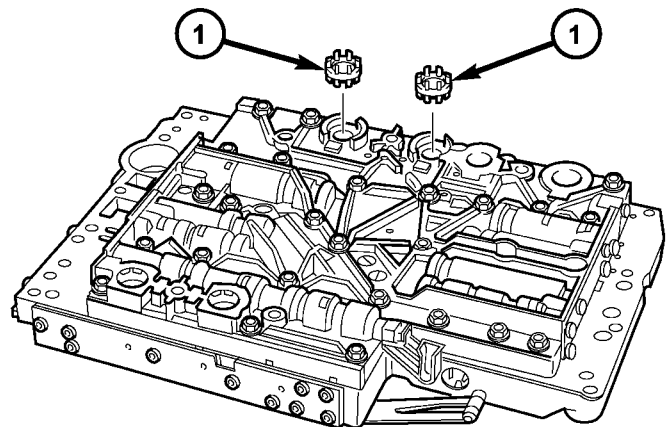
NOTE: Pay great attention to cleanliness for all work on the shift plate. Fluffy cloths must not be used. Leather cloths are particularly good. After dismantling, all parts must be washed and blown out with compressed-air, noting that parts may be blown away.

(9) Unbolt leaf spring (5) (Fig. 128).

(10) Unscrew Torx® bolts (1) (Fig. 128).

(11) Remove valve housing (2) from valve body (4) (Fig. 128).

(12) Remove sealing plate (3).

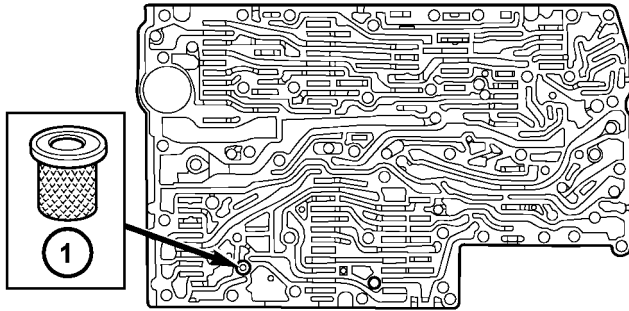


80e3edf0

Fig. 129 Solenoid Valve Strainer Locations

- 1 - SOLENOID VALVE STRAINERS

(13) Remove the strainers (1, 2) for the modulating pressure and shift pressure control solenoid valves (Fig. 129) from the valve housing.

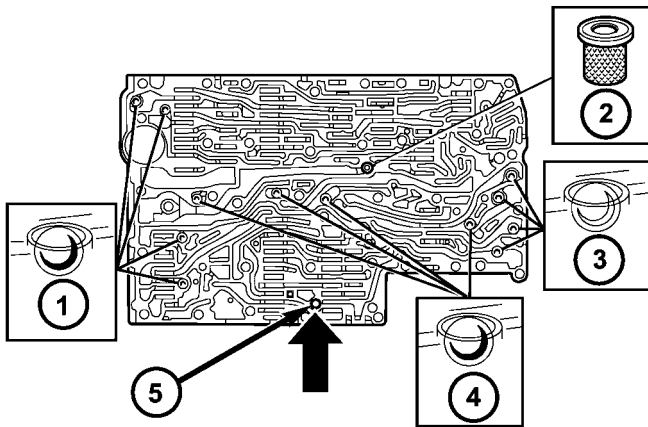


80e3ee50

Fig. 130 Converter Lock-up Solenoid Valve Strainer Location

1 - CONVERTER LOCK-UP SOLENOID STRAINER

(14) Remove the strainer (1) (Fig. 130) in the inlet to torque converter lock-up control solenoid valve.



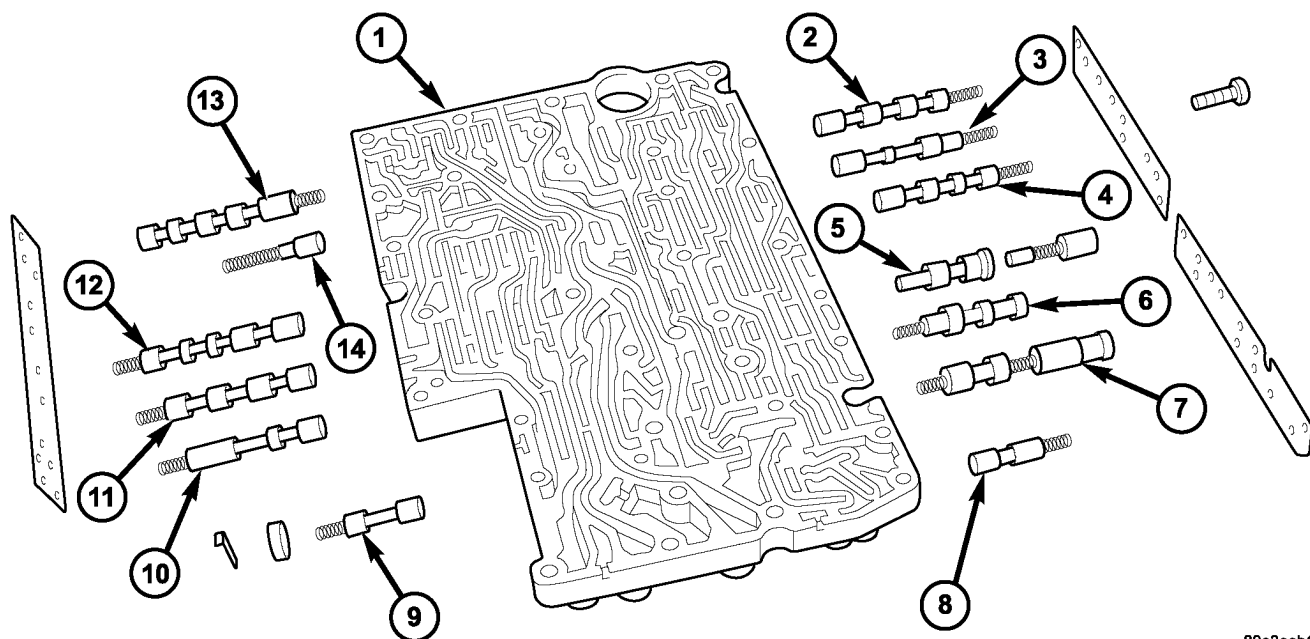
80e3ee77

Fig. 131 Check Balls and Strainer Location

- 1 - STEEL CHECK BALLS
- 2 - CENTRAL STRAINER
- 3 - STEEL CHECK BALLS
- 4 - PLASTIC CHECK BALLS
- 5 - PLAIN DOWEL PIN

NOTE: A total of 12 valve balls are located in the valve body, four made from plastic (4) and eight from steel (1, 3).

(15) Note the location of all check balls (1, 3, 4) (Fig. 131) and the central strainer (2) for re-installation. Remove all check balls (1, 3, 4) and the central strainer (2).



80e3eeb1

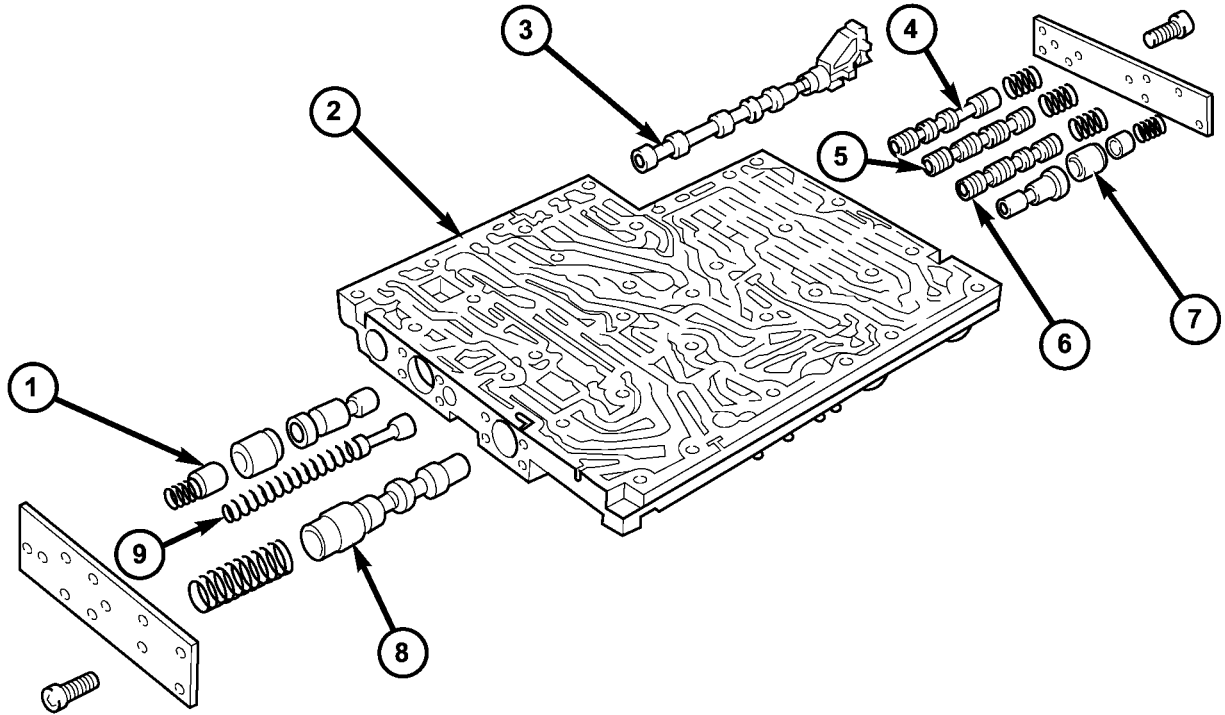
Fig. 132 Valve Body Components

- | | |
|--|---|
| 1 - VALVE BODY | 8 - SHIFT VALVE PRESSURE REGULATING VALVE |
| 2 - 1-2/4-5 COMMAND VALVE | 9 - B2 SHIFT VALVE |
| 3 - 1-2/4-5 HOLDING PRESSURE SHIFT VALVE | 10 - 2-3 HOLDING PRESSURE SHIFT VALVE |
| 4 - 1-2/4-5 SHIFT PRESSURE SHIFT VALVE | 11 - 2-3 COMMAND VALVE |
| 5 - 1-2/4-5 OVERLAP REGULATING VALVE, SLEEVE, AND PISTON | 12 - 2-3 SHIFT PRESSURE SHIFT VALVE |
| 6 - SHIFT PRESSURE REGULATING VALVE | 13 - TCC LOCK-UP REGULATING VALVE |
| 7 - REGULATING VALVE PRESSURE REGULATING VALVE | 14 - TCC DAMPER VALVE - if equipped |

(16) Remove the screws holding the side covers to the valve body and valve housing.

(17) Remove all valves and springs from the valve body (1) (Fig. 132). Check all valves for ease of movement and shavings.

NOTE: The sleeves and pistons of the overlap regulating valves must not be mixed up.



80e3eec2

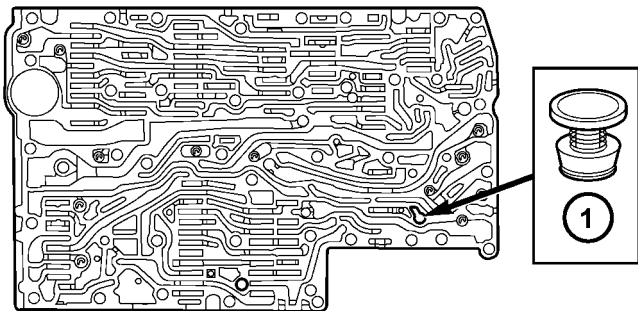
Fig. 133 Valve Housing Components

- | | |
|--|--|
| 1 - 2-3 OVERLAP REGULATING VALVE, SLEEVE, AND PISTON | 6 - 3-4 SHIFT PRESSURE SHIFT VALVE |
| 2 - VALVE HOUSING | 7 - 3-4 OVERLAP REGULATING VALVE, SLEEVE, AND PISTON |
| 3 - SELECTOR VALVE | 8 - OPERATING PRESSURE REGULATING VALVE |
| 4 - 3-4 HOLDING PRESSURE SHIFT VALVE | 9 - LUBRICATING PRESSURE REGULATING VALVE |
| 5 - 3-4 COMMAND VALVE | |

(18) Remove all valves and springs from the valve housing (2) (Fig. 133). Check all valves for ease of movement and shavings.

ASSEMBLY

NOTE: Pay great attention to cleanliness for all work on the shift plate. Fluffy cloths must not be used. Leather cloths are particularly good. After dismantling, all parts must be washed and blown out with compressed-air, noting that parts may be blown away.

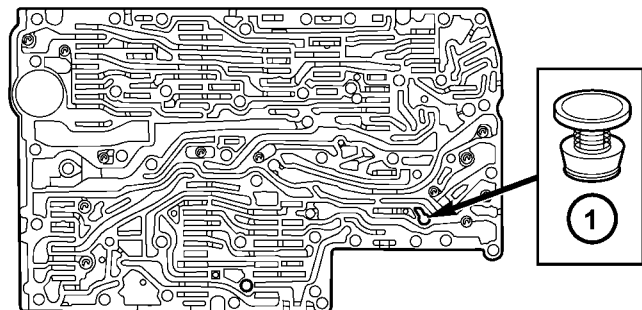


80e3ee48

Fig. 134 Pressure Feed Valve Location

- 1 - PRESSURE FEED VALVE

(19) Remove the pressure supply valve (1) (Fig. 134) from the valve body.

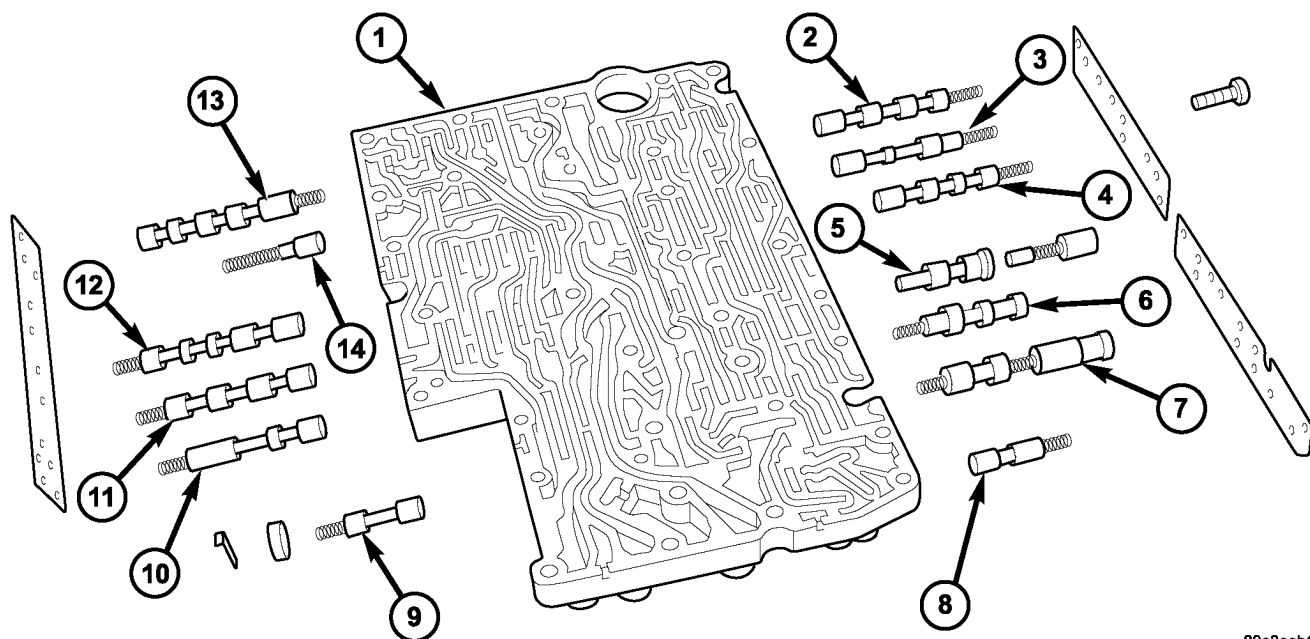


80e3ee48

Fig. 135 Pressure Feed Valve Location

- 1 - PRESSURE FEED VALVE

(1) Install the pressure supply valve (1) (Fig. 135) into the valve body.



80e3eeb1

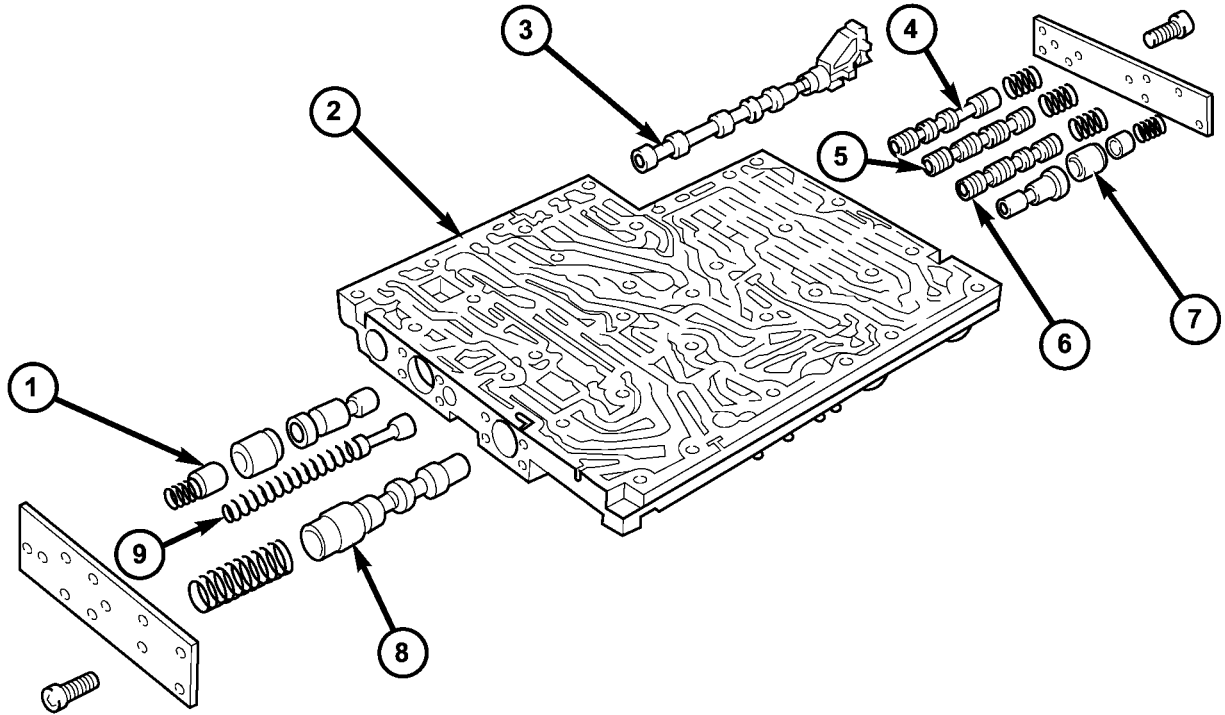
Fig. 136 Valve Body Components

- | | |
|--|---|
| 1 - VALVE BODY | 8 - SHIFT VALVE PRESSURE REGULATING VALVE |
| 2 - 1-2/4-5 COMMAND VALVE | 9 - B2 SHIFT VALVE |
| 3 - 1-2/4-5 HOLDING PRESSURE SHIFT VALVE | 10 - 2-3 HOLDING PRESSURE SHIFT VALVE |
| 4 - 1-2/4-5 SHIFT PRESSURE SHIFT VALVE | 11 - 2-3 COMMAND VALVE |
| 5 - 1-2/4-5 OVERLAP REGULATING VALVE, SLEEVE, AND PISTON | 12 - 2-3 SHIFT PRESSURE SHIFT VALVE |
| 6 - SHIFT PRESSURE REGULATING VALVE | 13 - TCC LOCK-UP REGULATING VALVE |
| 7 - REGULATING VALVE PRESSURE REGULATING VALVE | 14 - TCC DAMPER VALVE - if equipped |

NOTE: The sleeves and pistons of the overlap regulating valves must not be mixed up.

(2) Install all valves and springs from the valve body (1) (Fig. 136). Check all valves for ease of movement and shavings.

(3) Install the screws to hold the side covers to the valve body. Tighten the screws to 4 N·m (35 in.lbs.).



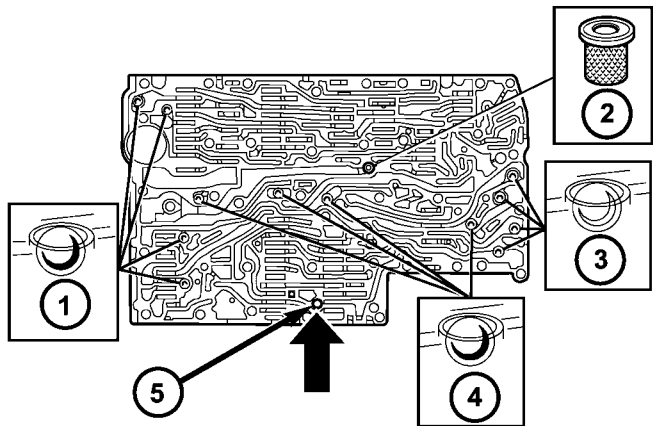
80e3eec2

Fig. 137 Valve Housing Components

- | | |
|--|--|
| 1 - 2-3 OVERLAP REGULATING VALVE, SLEEVE, AND PISTON | 6 - 3-4 SHIFT PRESSURE SHIFT VALVE |
| 2 - VALVE HOUSING | 7 - 3-4 OVERLAP REGULATING VALVE, SLEEVE, AND PISTON |
| 3 - SELECTOR VALVE | 8 - OPERATING PRESSURE REGULATING VALVE |
| 4 - 3-4 HOLDING PRESSURE SHIFT VALVE | 9 - LUBRICATING PRESSURE REGULATING VALVE |
| 5 - 3-4 COMMAND VALVE | |

(4) Install all valves and springs into the valve housing (2) (Fig. 137). Check all valves for ease of movement and shavings.

(5) Install the screws to hold the side covers to the valve housing. Tighten the screws to 4 N·m (35 in.lbs.).



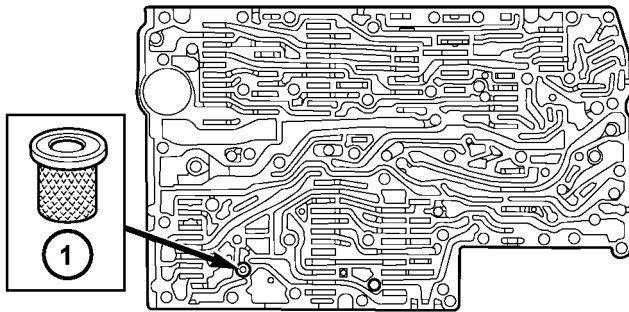
80e3ee77

Fig. 138 Check Balls and Strainer Location

- 1 - STEEL CHECK BALLS
- 2 - CENTRAL STRAINER
- 3 - STEEL CHECK BALLS
- 4 - PLASTIC CHECK BALLS
- 5 - PLAIN DOWEL PIN

NOTE: A total of 12 valve balls are located in the valve body, four made from plastic (4) and eight from steel (1, 3).

(6) Install all check balls (1, 3, 4) (Fig. 138) and the central strainer (2).

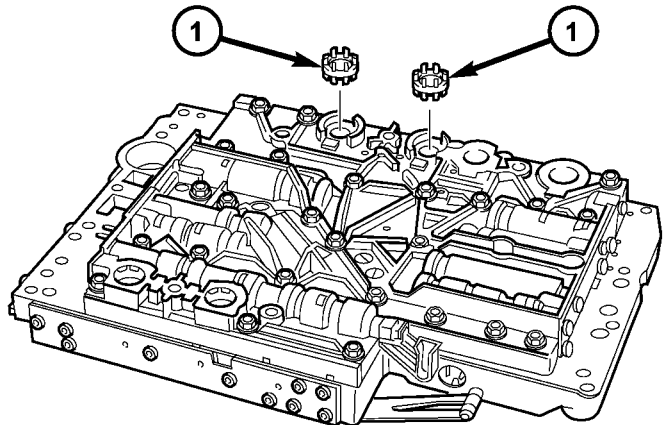


80e3ee50

Fig. 139 Converter Lock-up Solenoid Valve Strainer Location

1 - CONVERTER LOCK-UP SOLENOID STRAINER

(7) Install the strainer (1) (Fig. 139) in the inlet to torque converter lock-up control solenoid valve.

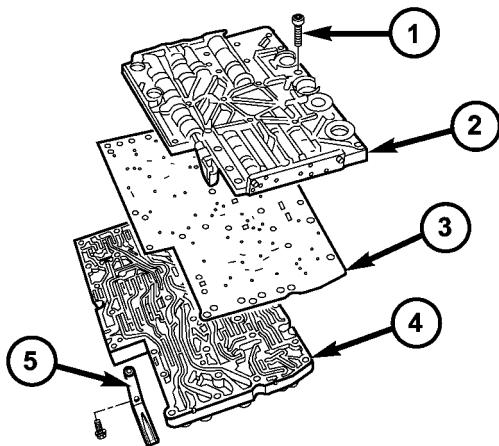


80e3edf0

Fig. 141 Solenoid Valve Strainer Locations

1 - SOLENOID VALVE STRAINERS

(12) Install the strainers (1, 2) for the modulating pressure and shift pressure control solenoid valves (Fig. 141) into the valve housing.



80e3ee93

Fig. 140 Shift Plate Components

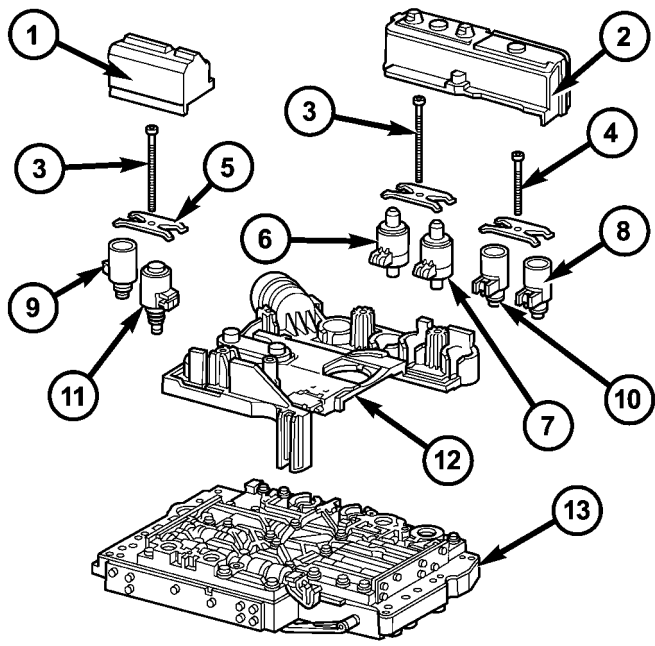
- 1 - BOLTS - 29
- 2 - VALVE HOUSING
- 3 - SEALING PLATE
- 4 - VALVE BODY
- 5 - LEAF SPRING

(8) Position the sealing plate (3) onto the valve body (4) (Fig. 140).

(9) Install the valve housing (2) onto the valve body (4) and sealing plate (3).

(10) Install the shift plate Torx® bolts (1) (Fig. 140). Tighten the bolts to 8 N·m (71 in.lbs.).

(11) Install leaf spring (5) (Fig. 140).



80e3edcc

Fig. 142 Electrical Unit Components

- 1 - SOLENOID CAP
- 2 - SOLENOID CAP
- 3 - BOLT - M6X32
- 4 - BOLT - M6X30
- 5 - LEAF SPRING
- 6 - MODULATING PRESSURE REGULATING SOLENOID VALVE
- 7 - SHIFT PRESSURE REGULATING SOLENOID
- 8 - 3-4 SHIFT SOLENOID
- 9 - TORQUE CONVERTER LOCK-UP SOLENOID
- 10 - 1-2/4-5 SHIFT SOLENOID
- 11 - 2-3 SHIFT SOLENOID
- 12 - ELECTROHYDRAULIC CONTROL MODULE
- 13 - SHIFT PLATE

(13) Install the electrohydraulic control module (12) onto the shift plate (13) (Fig. 142).

(14) Bend the retaining lug on stiffening rib on transmission oil temperature sensor to retain the electrohydraulic control module.

(15) Install the solenoid valves (6 - 11) into shift plate (13).

NOTE: Check O-rings on solenoid valves for damage and replace if necessary.

(16) Install the leaf springs (5).

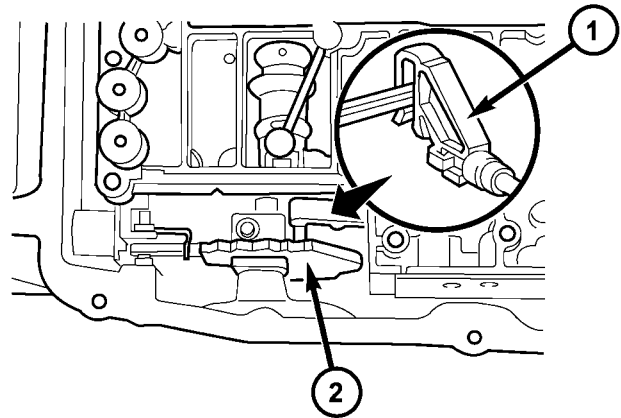
(17) Install the Torx® socket bolts (3, 4) (Fig. 142). Tighten the bolts to 8 N·m (71 in.lbs.).

NOTE: Pay attention to the different lengths of the Torx® socket bolts.

(18) Install the solenoid caps (1, 2).

(19) Install the electrohydraulic unit into the vehicle.

INSTALLATION



80e3be4f

Fig. 143 Connect The Selector Valve To The Detent Plate

- 1 - SELECTOR VALVE
- 2 - DETENT PLATE

(1) Position the electrohydraulic unit in the transmission housing.

(2) Insert selector valve (1) (Fig. 143) in driver of detent plate (2). When installing the electrohydraulic control module in the transmission housing, the plastic part of the selector valve (1) must engage in the driver of the detent plate (2).

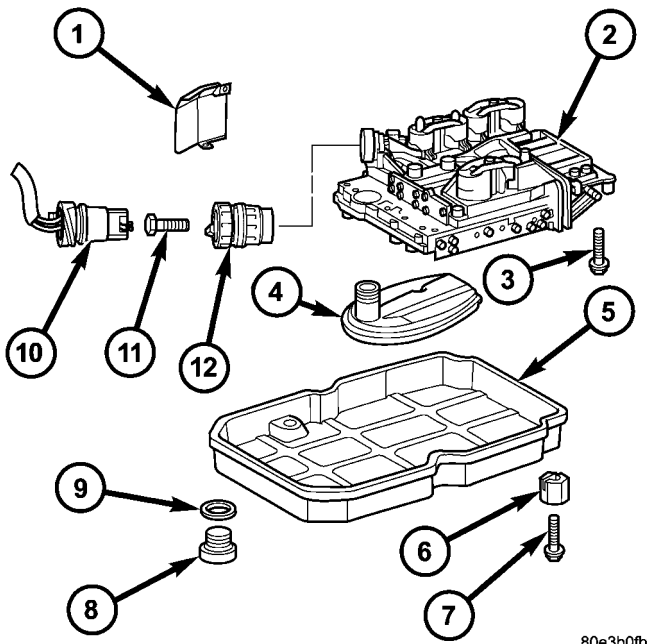


Fig. 144 Install Electrohydraulic Unit

- 1 - HEAT SHIELD
- 2 - ELECTROHYDRAULIC UNIT
- 3 - BOLT
- 4 - OIL FILTER
- 5 - OIL PAN
- 6 - CLAMPING ELEMENT
- 7 - BOLT
- 8 - DRAIN PLUG
- 9 - DRAIN PLUG GASKET
- 10 - 13-PIN PLUG CONNECTOR
- 11 - BOLT
- 12 - GUIDE BUSHING

(3) Install the Torx® socket bolts (3) (Fig. 144) and torque to 8 N·m (71 in.lbs.).

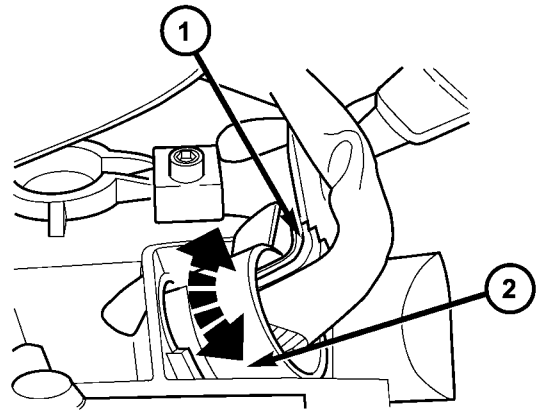
(4) Install a new oil filter (4) (Fig. 144).

(5) Install oil pan (5) (Fig. 144) and torque the oil pan bolts to 8 N·m (71 in.lbs.).

(6) Install the oil drain plug (8) (Fig. 144) with a new drain plug gasket (9). Torque the drain plug to 20 N·m (177 in.lbs.).

(7) Install the guide bushing (2) (Fig. 144) into the transmission housing and install the bolt (11) to hold the guide bushing in place.

80e3b0fb



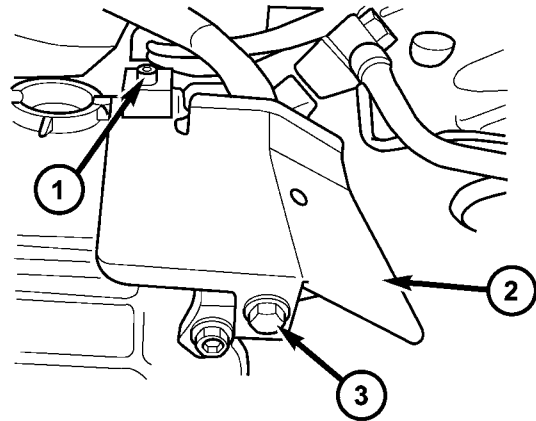
80e3b14f

Fig. 145 Install Wiring Connector Plug

- 1 - PLUG CONNECTOR
- 2 - GUIDE BUSHING

(8) Check O-ring on plug connector (1) (Fig. 145), and replace if necessary.

(9) Install the plug connector (1) into the guide bushing (2). Turn bayonet lock of guide bushing (2) clockwise to connect plug connector (1).



80e3b115

Fig. 146 Install Heat Shield

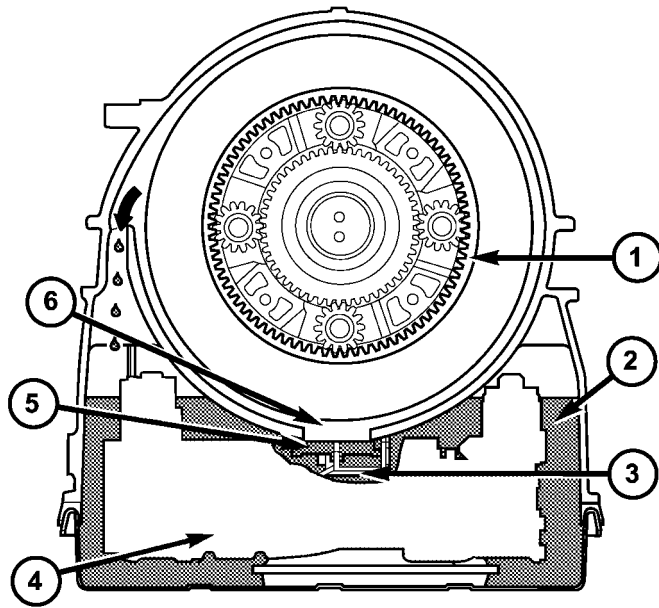
- 1 - SCREW
- 2 - HEAT SHIELD
- 3 - BOLT

(10) Position the heat shield (2) (Fig. 146) onto the transmission housing and install the screw (1) and bolt (3) to hold the shield in place.

(11) Fill the transmission with the correct oil (Refer to LUBRICATION & MAINTENANCE/FLUID TYPES - DESCRIPTION) using the standard procedure (Refer to 21 - TRANSMISSION/AUTOMATIC - NAG1/FLUID AND FILTER - STANDARD PROCEDURE - TRANSMISSION FILL).

FLUID AND FILTER

DESCRIPTION



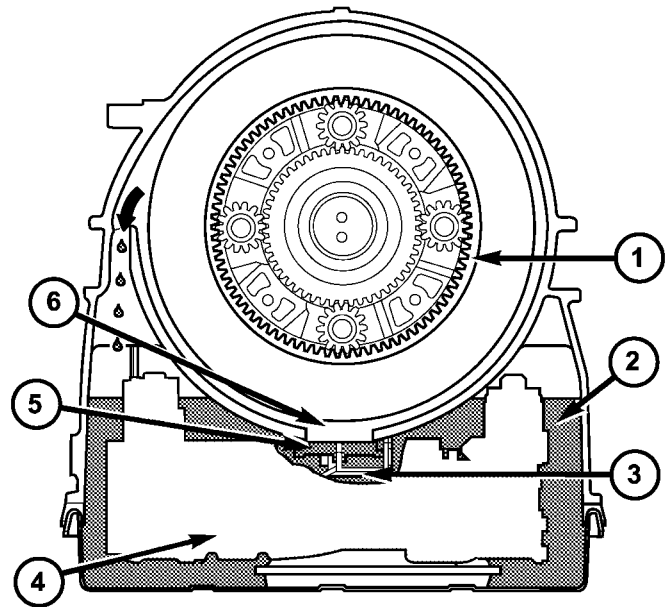
80e2c4a7

Fig. 147 Fluid Level Control

- 1 - GEARSET CHAMBER
- 2 - OIL GALLERY
- 3 - SHELL OF ELECTROHYDRAULIC UNIT
- 4 - ELECTROHYDRAULIC UNIT
- 5 - FLOAT
- 6 - OPENING

The oil level control (Fig. 147) is located on the electrohydraulic unit (4) and consists of the float (5) which is integrated into the electrohydraulic unit. The float is positioned to plug the opening (6) between the oil gallery (2) and gearset chamber (1) so that the rotating gears do not splash about in oil as the oil level rises. The oil level control reduces power loss and prevents oil from being thrown out of the transmission housing at high oil temperatures.

OPERATION



80e2c4a7

Fig. 148 Fluid Level Control

- 1 - GEARSET CHAMBER
- 2 - OIL GALLERY
- 3 - SHELL OF ELECTROHYDRAULIC UNIT
- 4 - ELECTROHYDRAULIC UNIT
- 5 - FLOAT
- 6 - OPENING

With low oil levels, the lubricating oil which flows constantly out of the gearset, flows back to oil gallery (2) through the opening (6). (Fig. 148) If the oil level rises, the oil presses the float (5) against the housing opening (6). The float (5) therefore separates the oil gallery (2) from the gearset chamber (1). The lubricating oil which continues to flow out of the gears is thrown against the housing wall, incorporated by the rotating parts and flows back into the oil gallery (2) through the upper opening (arrow).

DIAGNOSIS AND TESTING

EFFECTS OF INCORRECT FLUID LEVEL

A low fluid level allows the pump to take in air along with the fluid. Air in the fluid will cause fluid pressures to be low and develop slower than normal. If the transmission is overfilled, the gears churn the fluid into foam. This aerates the fluid and causing the same conditions occurring with a low level. In either case, air bubbles cause fluid overheating, oxidation, and varnish buildup which interferes with valve and clutch operation. Foaming also causes fluid expansion which can result in fluid overflow from the transmission vent or fill tube. Fluid overflow can easily be mistaken for a leak if inspection is not careful.

CAUSES OF BURNT FLUID

Burnt, discolored fluid is a result of overheating which has three primary causes.

1. Internal clutch slippage, usually caused by low line pressure, inadequate clutch apply pressure, or clutch seal failure.

2. A result of restricted fluid flow through the main and/or auxiliary cooler. This condition is usually the result of a faulty or improperly installed drainback valve, a damaged oil cooler, or severe restrictions in the coolers and lines caused by debris or kinked lines.

3. Heavy duty operation with a vehicle not properly equipped for this type of operation. Trailer towing or similar high load operation will overheat the transmission fluid if the vehicle is improperly equipped. Such vehicles should have an auxiliary transmission fluid cooler, a heavy duty cooling system, and the engine/axle ratio combination needed to handle heavy loads.

FLUID CONTAMINATION

Transmission fluid contamination is generally a result of:

- adding incorrect fluid
- failure to clean dipstick and fill tube when checking level
- engine coolant entering the fluid
- internal failure that generates debris
- overheat that generates sludge (fluid breakdown)
- failure to replace contaminated converter after repair

The use of non-recommended fluids can result in transmission failure. The usual results are erratic shifts, slippage, abnormal wear and eventual failure due to fluid breakdown and sludge formation. Avoid this condition by using recommended fluids only.

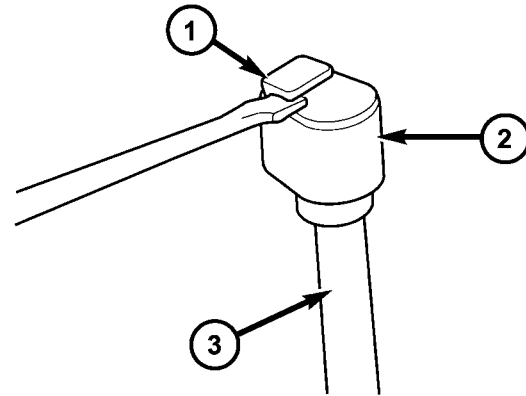
The dipstick cap and fill tube should be wiped clean before checking fluid level. Dirt, grease and other foreign material on the cap and tube could fall into the tube if not removed beforehand. Take the time to wipe the cap and tube clean before withdrawing the dipstick.

Engine coolant in the transmission fluid is generally caused by a cooler malfunction. The only remedy is to replace the radiator as the cooler in the radiator is not a serviceable part. If coolant has circulated through the transmission, an overhaul is necessary.

The torque converter should be replaced whenever a failure generates sludge and debris. This is necessary because normal converter flushing procedures will not remove all contaminants.

STANDARD PROCEDURE

CHECK OIL LEVEL



80e3ab32

Fig. 149 Remove Dipstick Tube Cap Lock

- 1 - LOCKING PIN
- 2 - TUBE CAP
- 3 - DIPSTICK TUBE

(1) Verify that the vehicle is parked on a level surface.

(2) Remove locking pin (1) (Fig. 149). Remove the plate of the locking pin with a suitable tool and press out the pin remaining in the cap downwards.

(3) Remove cap (2).

WARNING: Risk of accident from vehicle starting off by itself when engine running. Risk of injury from contusions and burns if you insert your hands into the engine when it is started or when it is running. Secure vehicle to prevent it from moving off by itself. Wear properly fastened and close-fitting work clothes. Do not touch hot or rotating parts.

(4) Actuate the service brake. Start engine and let it run at idle speed in selector lever position "P".

(5) Shift through the transmission modes several times with the vehicle stationary and the engine idling

(6) Warm up the transmission, wait at least 2 minutes and check the oil level with the engine running. Push the Oil Dipstick 8863A in up to the stop on the electrohydraulic unit and pull out again, read off oil level, repeat if necessary.

NOTE: The dipstick will protrude from the fill tube approximately 75mm (3 inches) when installed.

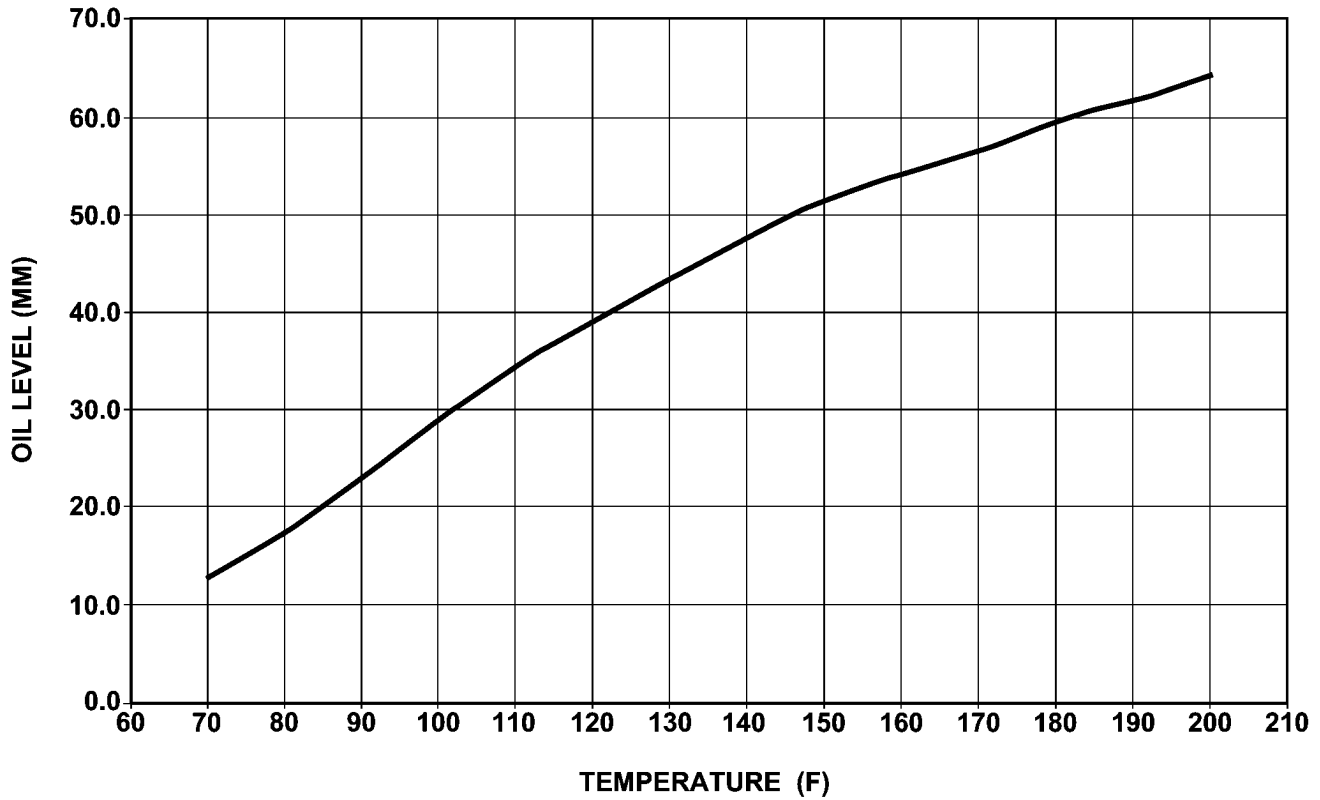


Fig. 150 NAG1 Transmission Fill Graph

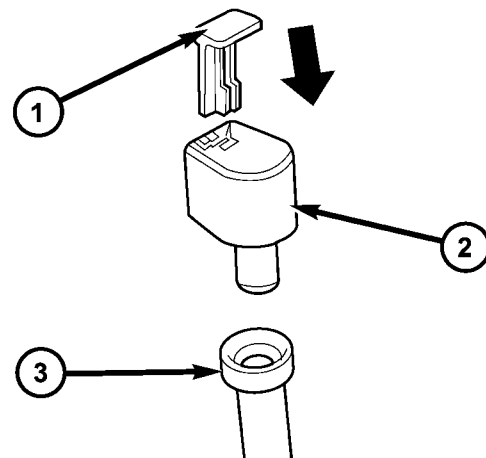
810e1c2a

(7) Check transmission oil temperature.

NOTE: The true transmission oil temperature can only be read by a scan tool in REVERSE or any forward gear position. (Refer to 21 - AUTOMATIC TRANSMISSION- NAG1/TRANSMISSION TEMPERATURE SENSOR/PARK-NEUTRAL SWITCH - OPERATION)

(8) The transmission Oil Dipstick 8863A has indicator marks every 10mm. Determine the height of the oil level on the dipstick and using the height, the transmission temperature, and the Transmission Fluid Graph (Fig. 150), determine if the transmission oil level is correct.

(9) Add or remove oil as necessary and recheck the oil level.



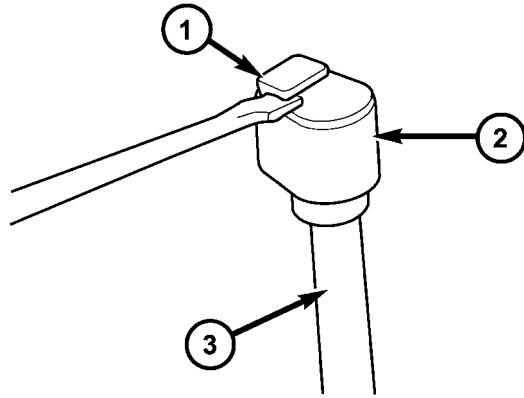
80e3ab24

Fig. 151 Dipstick Tube Cap Components

- 1 - LOCKING PIN
- 2 - TUBE CAP
- 3 - DIPSTICK TUBE

(10) Once the oil level is correct, install a new dipstick tube cap (2) (Fig. 151) and lock pin (1).

TRANSMISSION FILL



80e3ab32

Fig. 152 Remove Dipstick Tube Cap Lock

- 1 - LOCKING PIN
- 2 - TUBE CAP
- 3 - DIPSTICK TUBE

To avoid overfilling transmission after a fluid change or overhaul, perform the following procedure:

(1) Verify that the vehicle is parked on a level surface.

(2) Remove locking pin (1) (Fig. 152). Remove the plate of the locking pin with a suitable tool and press out the pin remaining in the cap downwards.

(3) Remove cap (2).

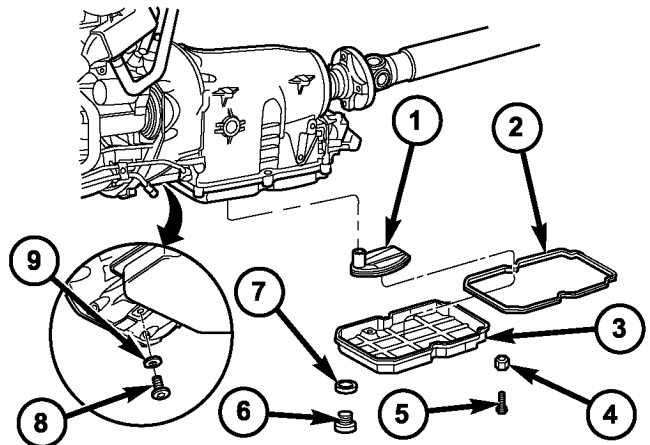
(4) Add following initial quantity of required fluid (Refer to LUBRICATION & MAINTENANCE/FLUID TYPES - DESCRIPTION) to transmission:

(a) If only fluid and filter were changed, add **7.4 L (14.8 pts.)** of transmission fluid to transmission.

(b) If transmission was completely overhauled, torque converter was replaced or drained, and cooler was flushed, add **7.7 L (16.3 pts.)** of transmission fluid to transmission.

(5) Check the transmission fluid (Refer to 21 - TRANSMISSION/AUTOMATIC - NAG1/FLUID AND FLUID - STANDARD PROCEDURE - CHECK OIL LEVEL) and adjust as required.

FLUID / FILTER SERVICE



811b7123

Fig. 153 Fluid/Filter Service Points

- 1 - OIL FILTER
- 2 - OIL PAN GASKET
- 3 - OIL PAN
- 4 - RETAINER
- 5 - BOLT
- 6 - OIL PAN DRAIN PLUG
- 7 - SEAL
- 8 - TORQUE CONVERTER DRAIN PLUG
- 9 - SEAL

(1) Run the engine until the transmission oil reaches operating temperature.

(2) Raise and support vehicle.

(3) Remove the torque converter drain plug access plug from the bottom of the torque converter housing.

(4) Rotate the engine clockwise until the torque converter drain plug (8) (Fig. 153) is aligned with the access hole.

NOTE: Clean the area around the drain plug to prevent dirt from entering the torque converter.

(5) Using a suitable drain pan to catch the fluid, remove the torque converter drain plug (8) and allow the torque converter to drain completely.

(6) Inspect the torque converter drain plug seal (9) (Fig. 153). Replace the seal if necessary.

(7) Install the torque converter drain plug (8). Tighten the drain plug to 14 N·m (10 ft.lbs.).

(8) Install the torque converter drain plug access plug into the bottom of the torque converter housing.

(9) Using a suitable drain pan to catch the fluid, remove the transmission oil pan drain plug (6) (Fig. 153) and allow the oil pan to drain completely.

(10) Inspect the transmission oil pan drain plug seal (7). Replace the seal if necessary.

(11) Install the transmission oil pan drain plug (6). Tighten the drain plug to 20 N·m (15 ft.lbs.).

(12) Remove the bolts (5) and retainers (4) (Fig. 153) holding the oil pan to the transmission.

(13) Remove the transmission oil pan (3) and gasket (2) from the transmission.

(14) Remove the transmission oil filter (1) and o-ring from the electrohydraulic control unit.

(15) Clean the inside of the oil pan (3) of any debris. Inspect the oil pan gasket (2) and replace if necessary.

(16) Install a new oil filter (1) and o-ring into the electrohydraulic control unit.

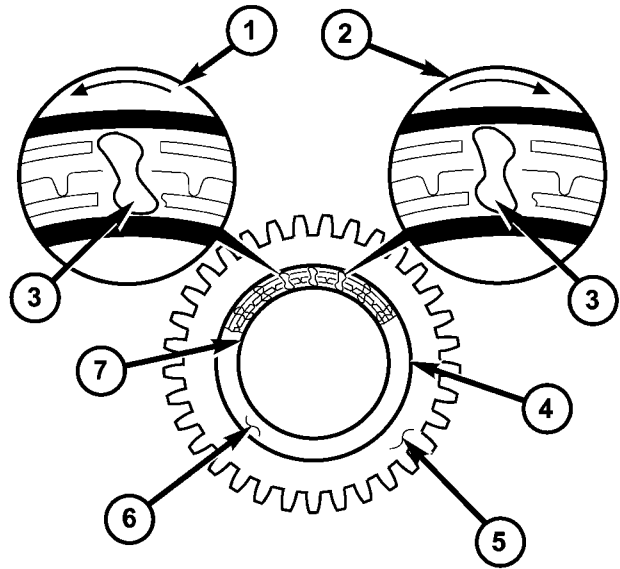
(17) Install the oil pan (3) and gasket (2) onto the transmission.

(18) Install the oil pan bolts (5) and retainers (4). Torque the bolts to 8 N·m (70 in.lbs.).

(19) Lower the vehicle and add 7.0 L (7.4 qts.) of transmission fluid to the transmission.

(20) Check the oil level (Refer to 21 - TRANSMISSION/AUTOMATIC - NAG1/FLUID AND FILTER - STANDARD PROCEDURE - CHECK OIL LEVEL).

OPERATION



80e309a9

Fig. 155 Freewheeling Clutch

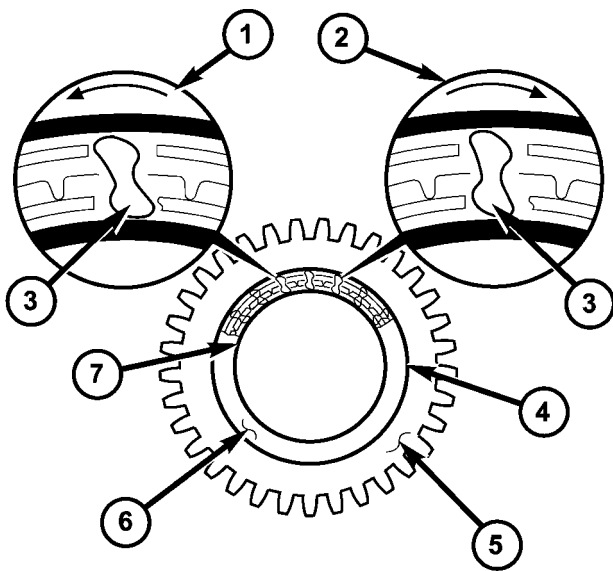
- 1 - ROTATION DIRECTION "A"
- 2 - ROTATION DIRECTION "B"
- 3 - LOCKING ELEMENTS
- 4 - OUTER RACE
- 5 - FRONT OR REAR SUN GEAR
- 6 - LOCKING ELEMENT CAGE
- 7 - INNER RACE

The freewheeling clutch (Fig. 155) optimizes individual gearshifts. They lock individual elements of a planetary gear set together or against the transmission housing in one direction of rotation to allow the torque to be transmitted.

If the inner race (7) of the freewheeling clutch is locked and the outer race (4) turns counter-clockwise (1), the locking elements (3) adopt a diagonal position on account of their special contours, allowing the freewheel function. The inner race (4) slides under the locking elements (3) with minimal friction. If the rotation of the outer race (4) changes to clockwise (2), the locking elements (3) stand up and lock the outer and inner races (4, 7) together.

FREEWHEELING CLUTCH

DESCRIPTION



80e309a9

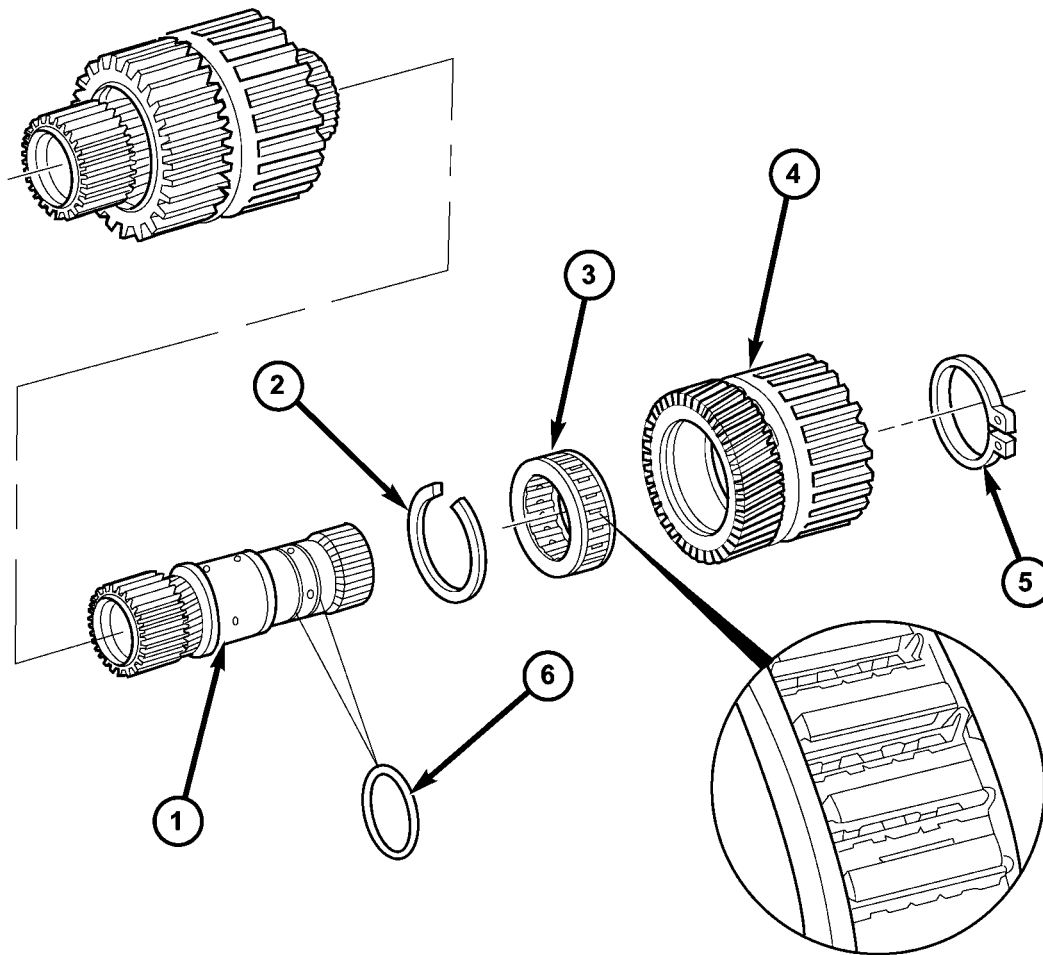
Fig. 154 Freewheeling Clutch

- 1 - ROTATION DIRECTION "A"
- 2 - ROTATION DIRECTION "B"
- 3 - LOCKING ELEMENTS
- 4 - OUTER RACE
- 5 - FRONT OR REAR SUN GEAR
- 6 - LOCKING ELEMENT CAGE
- 7 - INNER RACE

Freewheeling clutches (Fig. 154) are installed in the front planetary gear set between the sun gear and the stator shaft, and in the rear planetary gear set between the sun gear and the intermediate shaft.

The freewheel consists of an outer race (4), an inner race (7), a number of locking elements (3) and a cage (6) for these locking elements.

DISASSEMBLY



80e3f7da

Fig. 156 Freewheeling Clutch F2

1 - HOLLOW SHAFT

2 - F2 CLUTCH SNAP-RING

3 - FREEWHEELING CLUTCH F2

4 - K3 INNER DISC CARRIER AND REAR PLANETARY SUN GEAR

5 - RETAINING RING

6 - O-RINGS

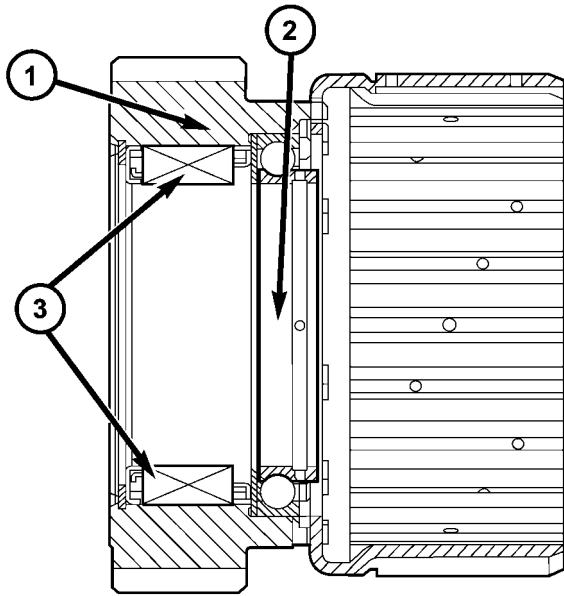
(1) Remove retaining ring (5) (Fig. 156) from hollow shaft (1).

(2) Remove rear sun gear (4) with the K3 internally toothed disk carrier and rear freewheeling clutch F2 (3).

(3) Remove snap-ring (2) (Fig. 156) for freewheel.

(4) Press freewheeling clutch (3) out of sun gear.

(5) Check O-rings (6), replace if necessary.



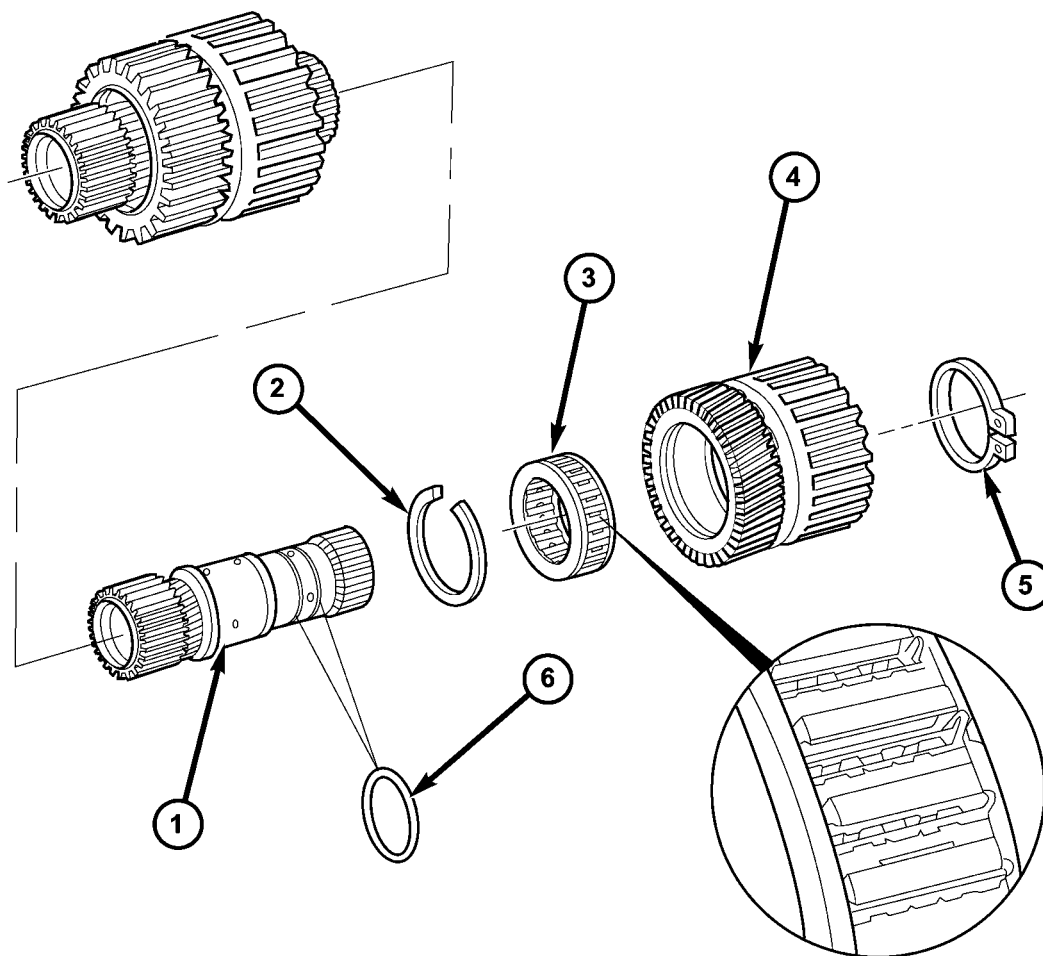
80e4383e

Fig. 157 Freewheeling Clutch F2 Anti-Friction Bearing

- 1 - K3 INNER DISC CARRIER AND REAR PLANETARY SUN GEAR
- 2 - ANTI-FRICTION BEARING
- 3 - FREEWHEELING CLUTCH F2

(6) Check the anti-friction bearing (2) (Fig. 157) in the rear planetary sun gear for damage. Replace as necessary.

ASSEMBLY



80e3f7da

Fig. 158 Freewheeling Clutch F2

1 - HOLLOW SHAFT

2 - F2 CLUTCH SNAP-RING

3 - FREEWHEELING CLUTCH F2

4 - K3 INNER DISC CARRIER AND REAR PLANETARY SUN GEAR

5 - RETAINING RING

6 - O-RINGS

NOTE: The side of the freewheeling clutch F2 (3) with the markings (directional arrow, part number, etc.) must be up when the clutch is installed in the sun gear (4).

(1) Press freewheeling clutch F2 (3) (Fig. 158) into sun gear (4).

(2) Install snap-ring (2) for freewheeling clutch.

(3) Check O-rings (6) (Fig. 158) on hollow shaft, replace if necessary.

(4) Install rear sun gear (4) with K3 internally toothed disc carrier and rear freewheeling clutch (3) onto the hollow shaft.

(5) Verify proper operation of the freewheeling clutch F2. When the assembly is held with the F2

clutch snap-ring upward, it should be possible to rotate the hollow shaft counter-clockwise.

(6) Install retaining ring (5) onto hollow shaft (1).

GEARSHIFT CABLE

DIAGNOSIS AND TESTING

GEARSHIFT CABLE

(1) The floor shifter lever and gate positions should be in alignment with all transmission PARK, NEUTRAL, and gear detent positions.

(2) Engine starts must be possible with floor shift lever in PARK or NEUTRAL gate positions only.

Engine starts must not be possible in any other gear position.

(3) With floor shift lever handle push-button not depressed and lever in in:

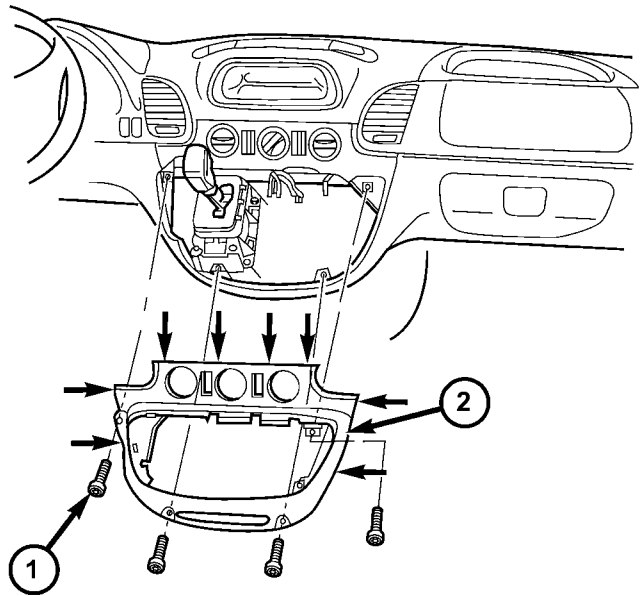
(a) PARK position - Apply forward force on center of handle and remove pressure. Engine starts must be possible.

(b) PARK position - Apply rearward force on center of handle and remove pressure. Engine starts must be possible.

(c) NEUTRAL position - Normal position. Engine starts must be possible.

(d) NEUTRAL position - Engine running and brakes applied, apply forward force on center of shift handle. Transmission shall not be able to shift from NEUTRAL to REVERSE.

REMOVAL

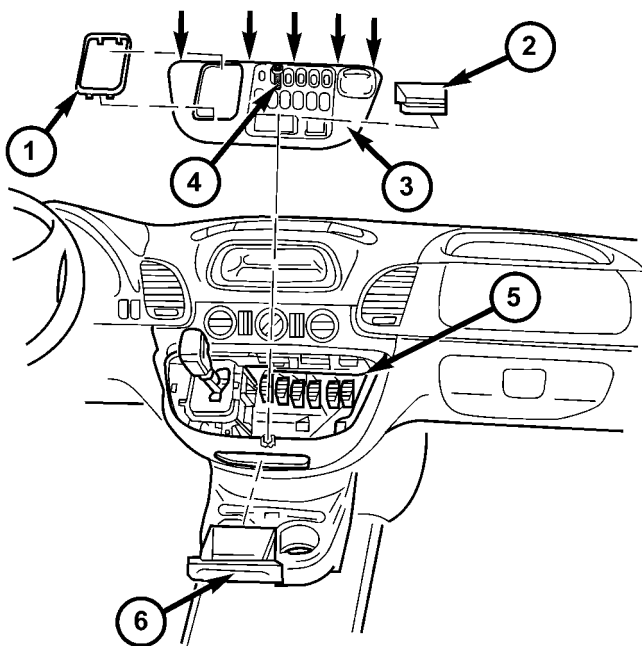


810b8e79

Fig. 160 Remove Bottom Section Of Center Instrument Panel

- 1 - SCREW
- 2 - BOTTOM CENTER PART OF INSTRUMENT PANEL

(3) Remove bottom (2) (Fig. 160) of the center section of instrument panel.

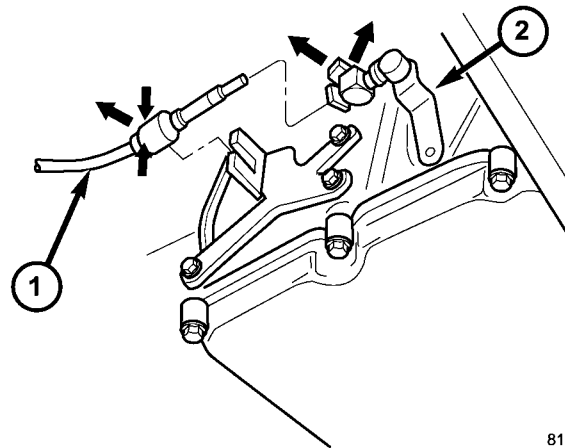


810b8e75

Fig. 159 Remove Top Section Of Center Instrument Panel

- 1 - SHIFT LEVER ASSEMBLY FRAME TRIM
- 2 - STORAGE COMPARTMENT
- 3 - TOP CENTER PART OF INSTRUMENT PANEL
- 4 - SCREW
- 5 - PLUG CONNECTIONS
- 6 - ASHTRAY

(1) Move selector lever to position "D".
 (2) Remove top (3) (Fig. 159) of the center section of instrument panel.



810b77ba

Fig. 161 Remove Shift Cable From Transmission

- 1 - SHIFT CABLE
- 2 - TRANSMISSION SHIFT LEVER

(4) Pry ball socket of transmission shift cable off ball knob at the shift lever assembly (SLA). Use a suitable slotted screwdriver.

(5) Raise and support vehicle.

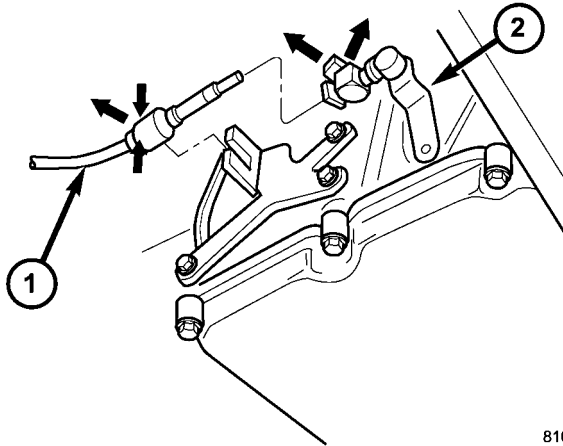
(6) Detach shift cable (1) at transmission.

(a) Unlatch ball socket latch (Fig. 161) of cable.

(b) Unclip shift cable retainer from retainer bracket. When pulling out cable, press together hooks of shift cable retainer at the points shown (arrows).

- (c) Pull shift cable out of ball socket. Ball socket can remain on transmission lever (2).
- (7) Remove the shift cable grommet from the dash panel.
- (8) Remove the shift cable from the vehicle.

INSTALLATION

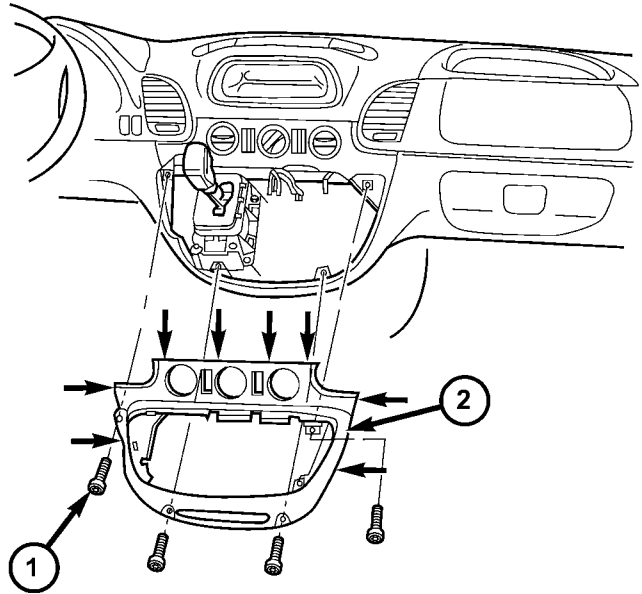


810b77ba

Fig. 162 Install Shift Cable Onto Transmission

- 1 - SHIFT CABLE
- 2 - TRANSMISSION SHIFT LEVER

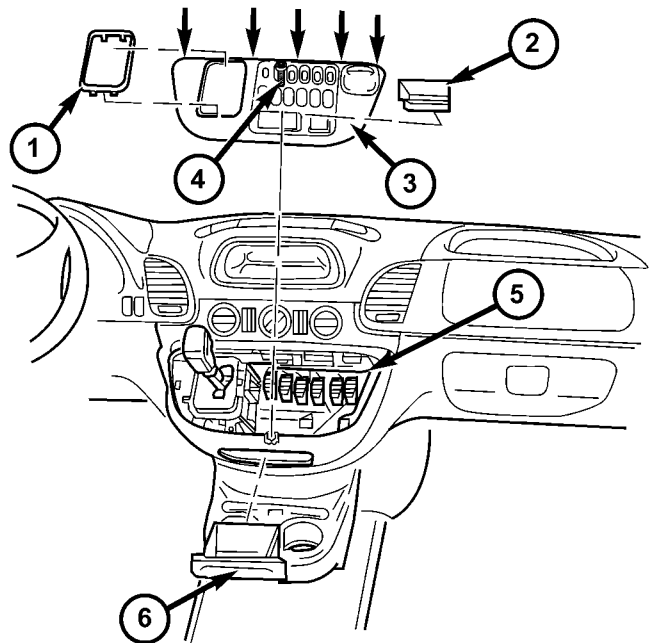
- (1) Pass the shift cable through the opening in the dash panel and seat the shift cable grommet into the hole.
- (2) Install the shift cable (1) (Fig. 162) to the transmission.
 - (a) Push shift cable onto the transmission shift lever (2) ball socket.
 - (b) Latch ball socket latch of cable.
 - (c) Clip shift cable retainer into retainer bracket.
- (3) Lower vehicle.
- (4) Install the transmission shift cable onto the ball knob at the SLA.
- (5) Install the bottom section (2) (Fig. 163) of the center section of instrument panel.
- (6) Install the top section (3) (Fig. 164) of the center section of instrument panel.
- (7) Verify repair.



810b8e79

Fig. 163 Install Bottom Section Of Center Instrument Panel

- 1 - SCREW
- 2 - BOTTOM CENTER PART OF INSTRUMENT PANEL



810b8e75

Fig. 164 Install Top Section Of Center Instrument Panel

- 1 - SHIFT LEVER ASSEMBLY FRAME TRIM
- 2 - STORAGE COMPARTMENT
- 3 - TOP CENTER PART OF INSTRUMENT PANEL
- 4 - SCREW
- 5 - PLUG CONNECTIONS
- 6 - ASHTRAY

HOLDING CLUTCHES

DESCRIPTION

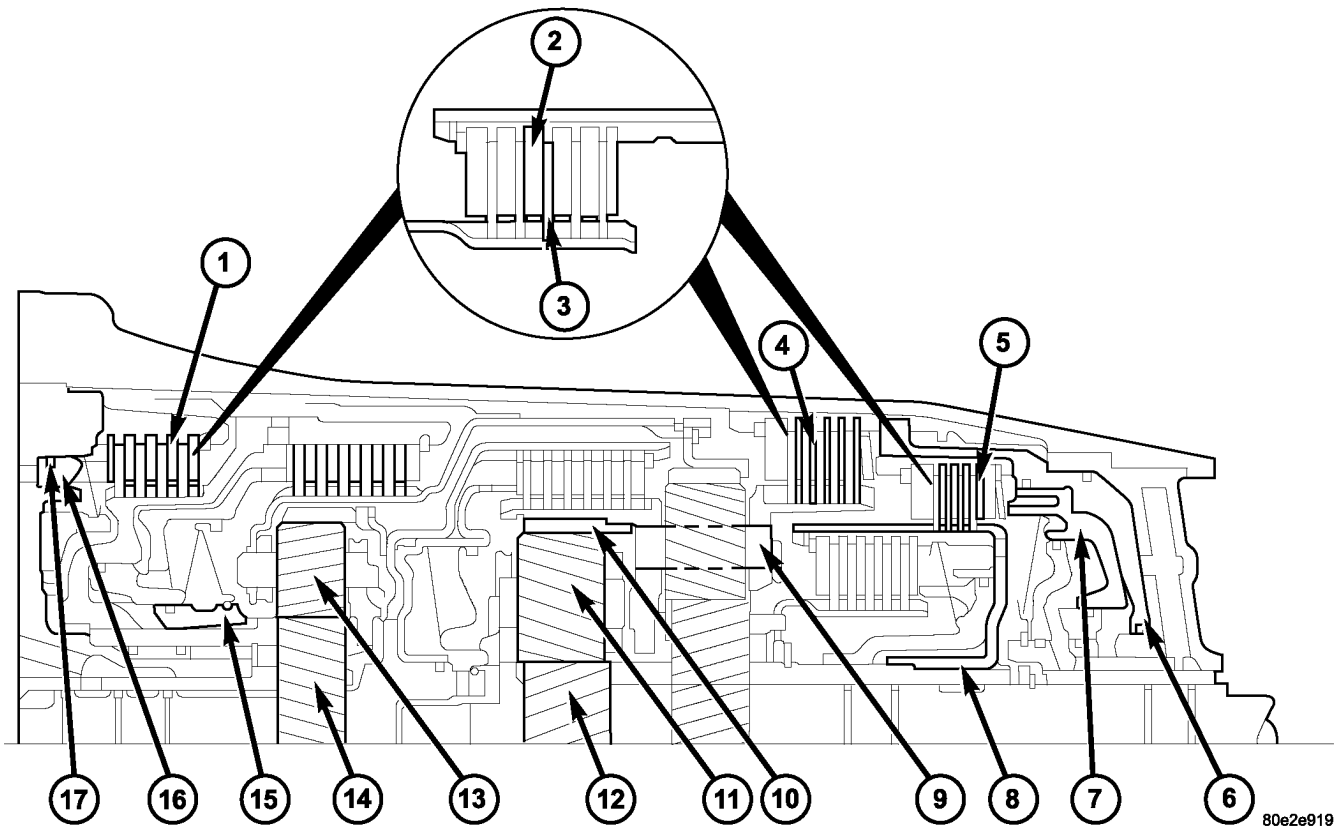


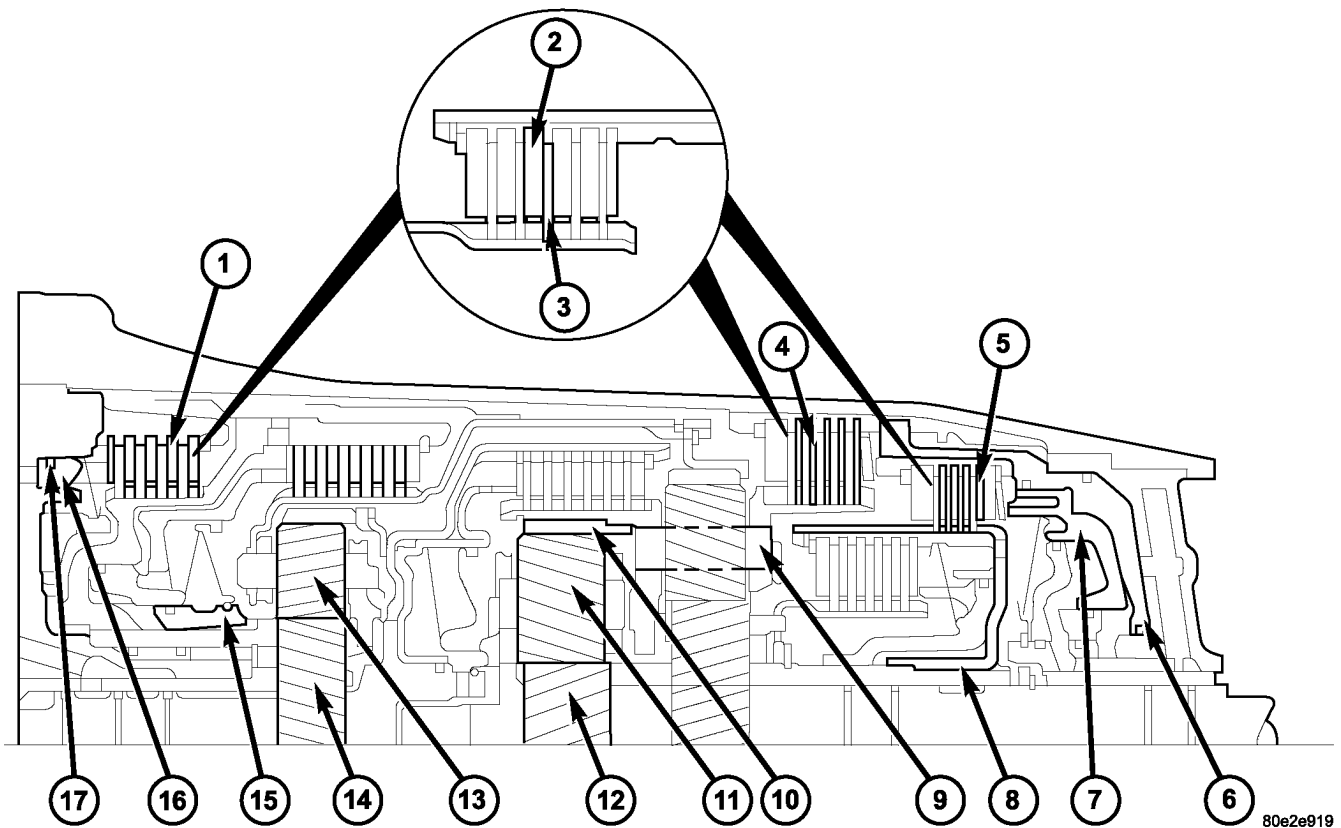
Fig. 165 Holding Clutches

- | | |
|--|---|
| <ul style="list-style-type: none"> 1 - B1 CLUTCH 2 - EXTERNALLY TOOTHED DISC 3 - INTERNALLY TOOTHED DISC 4 - B3 CLUTCH 5 - B2 CLUTCH 6 - B3 CLUTCH PISTON 7 - B2 CLUTCH PISTON 8 - B2 CLUTCH INTERNALLY TOOTHED DISC CARRIER 9 - REAR PLANETARY GEARSET PLANETARY CARRIER | <ul style="list-style-type: none"> 10 - CENTER PLANETARY GEARSET ANNULUS GEAR 11 - CENTER PLANETARY GEARSET PINION GEARS 12 - CENTER PLANETARY GEARSET SUN GEAR 13 - FRONT PLANETARY GEARSET PINION GEARS 14 - FRONT PLANETARY GEARSET SUN GEAR 15 - B1 CLUTCH INTERNALLY TOOTHED DISC CARRIER 16 - B1 CLUTCH PISTON 17 - B1 CLUTCH EXTERNALLY TOOTHED DISC CARRIER |
|--|---|

Three (Fig. 165) multiple-disc holding clutches, the front, B1 (1), middle, B3 (4), and rear multiple disc clutches, B2 (5), are located in the planetary gear sets in the transmission housing.

A multiple-disc holding clutch consists of a number of internally toothed discs (10) on an internally toothed disc carrier and externally toothed discs (9) on an externally toothed disc carrier, which is rigidly connected to the transmission housing.

OPERATION



80e2e919

Fig. 166 Holding Clutches

- | | |
|---|--|
| 1 - B1 CLUTCH | 10 - CENTER PLANETARY GEARSET ANNULUS GEAR |
| 2 - EXTERNALLY TOOTHED DISC | 11 - CENTER PLANETARY GEARSET PINION GEARS |
| 3 - INTERNALLY TOOTHED DISC | 12 - CENTER PLANETARY GEARSET SUN GEAR |
| 4 - B3 CLUTCH | 13 - FRONT PLANETARY GEARSET PINION GEARS |
| 5 - B2 CLUTCH | 14 - FRONT PLANETARY GEARSET SUN GEAR |
| 6 - B3 CLUTCH PISTON | 15 - B1 CLUTCH INTERNALLY TOOTHED DISC CARRIER |
| 7 - B2 CLUTCH PISTON | 16 - B1 CLUTCH PISTON |
| 8 - B2 CLUTCH INTERNALLY TOOTHED DISC CARRIER | 17 - B1 CLUTCH EXTERNALLY TOOTHED DISC CARRIER |
| 9 - REAR PLANETARY GEARSET PLANETARY CARRIER | |

The holding clutches (Fig. 166) connect the annulus gear, sun gear, or planetary carrier of a planetary gear set against the transmission housing in order to transmit the drive torque.

If the piston (16) on multiple-disc holding clutch B1 (1) is subjected to oil pressure, it presses the internal (3) and external discs (2) of the disc set together. The internally toothed disc carrier (15) locks the sun gear (14) against the housing. The planetary pinion gears (13) turn on the sun gear (14).

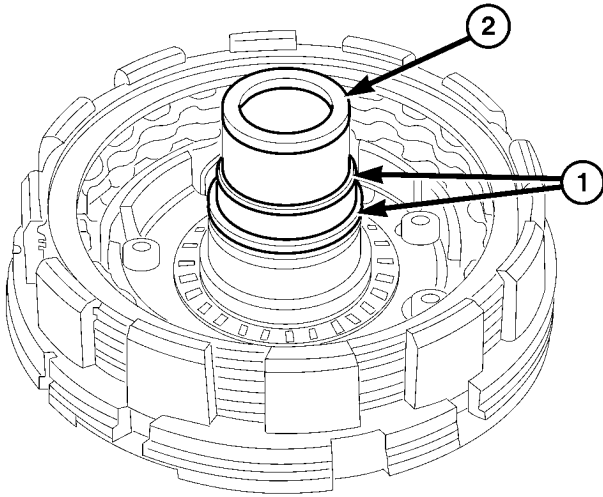
If the multiple-disc holding clutch B2 (5) is actuated via the piston (7), the piston compresses the disc set. The internally toothed disc carrier (8) locks the sun gear (12) against the housing. The planetary pinion gears (11) turn on the sun gear (12).

If the multiple-disc holding clutch B3 (4) is actuated via the piston (6), the planetary carrier (9) and the annulus gear (10) are locked. When the multiple-

disc brake B3 (4) is actuated, the direction of rotation is reversed.

HOLDING CLUTCH B1

DISASSEMBLY

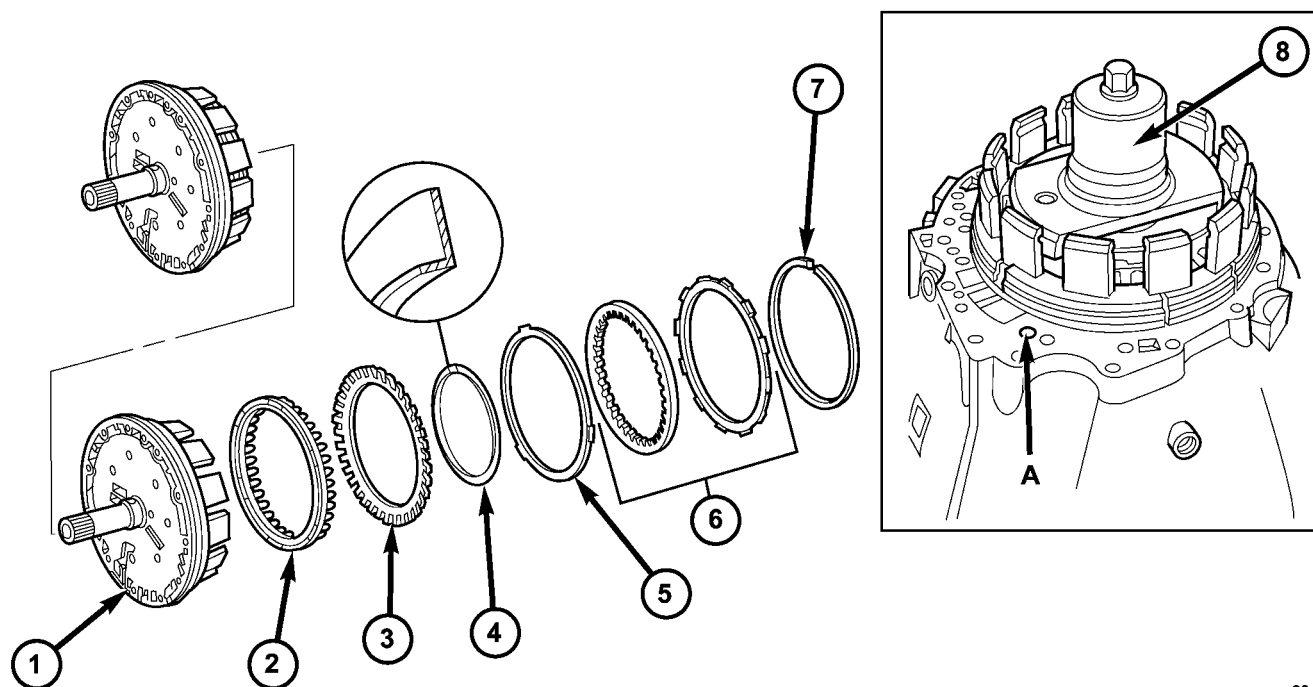


812d4767

Fig. 167 Remove the Teflon Rings

- 1 - TEFLON RINGS
 - 2 - PLATE CARRIER HUB
-

(1) Remove the teflon rings (1) (Fig. 167) from the B1 plate carrier hub (2).



80e3f889

Fig. 168 Holding Clutch B1

1 - HOLDING CLUTCH B1 OUTER CARRIER
 2 - PISTON
 3 - DISC SPRING
 4 - SNAP-RING

5 - DISC SPRING
 6 - MULTIPLE DISC PACK
 7 - SNAP-RING
 8 - MULTI-USE SPRING COMPRESSOR 8900

(2) Remove snap-ring (7) (Fig. 168).

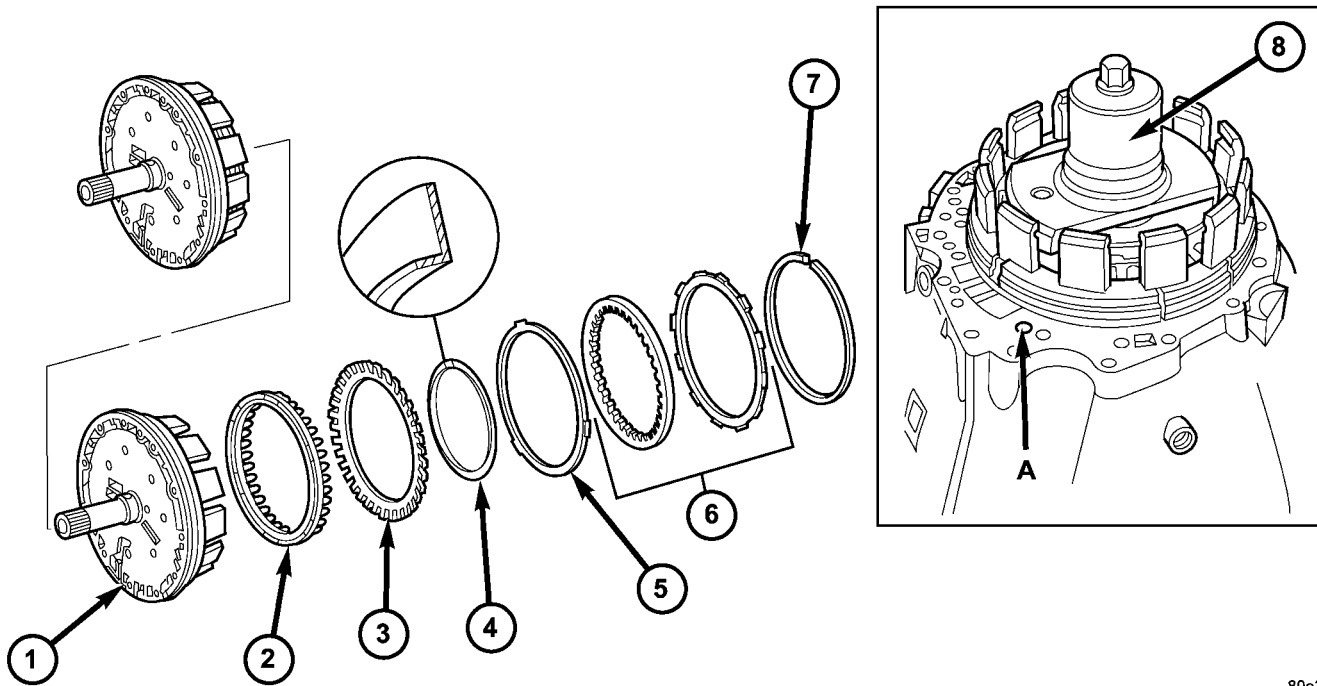
(3) Remove multiple-disc pack (6) and disc spring (5) from outer multiple-disc carrier. Note which clutch disc is removed just prior to the disc spring (5) for re-assembly. If the clutch discs are re-used, this disc must be returned to its original position on top of the disc spring.

(4) Place the Multi-use Spring Compressor 8900 (8) (Fig. 168) on disc spring (3) and compress the spring until the snap-ring (4) is exposed.

(5) Remove snap-ring (4).

(6) Remove piston (2) from the outer multiple-disc carrier by carefully blowing compressed air into the bore (A).

ASSEMBLY



80e3f889

Fig. 169 Holding Clutch B1

- 1 - HOLDING CLUTCH B1 OUTER CARRIER
- 2 - PISTON
- 3 - DISC SPRING
- 4 - SNAP-RING

- 5 - DISC SPRING
- 6 - MULTIPLE DISC PACK
- 7 - SNAP-RING
- 8 - MULTI-USE SPRING COMPRESSOR 8900

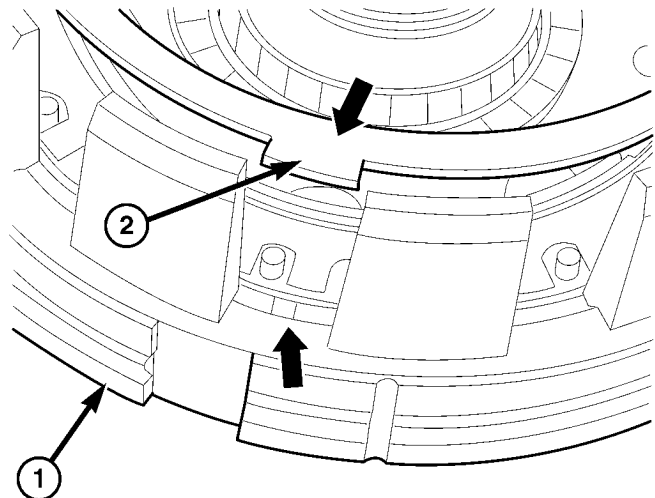
NOTE: Check vulcanized gasket, replace if necessary.

(1) Install piston (2) (Fig. 169) in outer multiple-disc carrier (1).

(2) Place compressor (8) on disc spring (3) and compress until the groove of the snap-ring is exposed.

NOTE: The collar of the snap-ring must point towards the multiple-disc pack. After installing, check snap-ring for correct seat.

(3) Insert snap-ring (4) (Fig. 169).



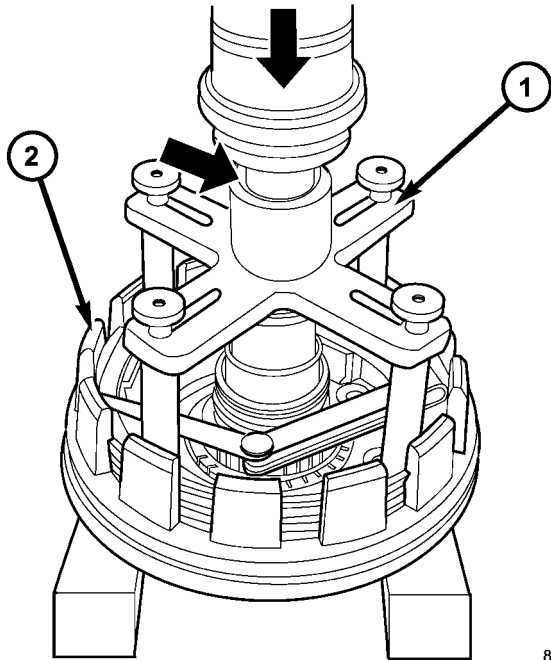
812d4765

Fig. 170 Install the Disc Spring

- 1 - B1 MULTIPLE-DISC CARRIER
- 2 - DISC SPRING

(4) Insert disc spring (2) (Fig. 170) in the outer multiple-disc carrier. Observe the disc spring (2) installation position. The lugs of the disc spring (2)

washer must align with the 3 raised pads (arrow) of the B1 multiple-disc carrier (1). The cone of the spring washer must point downwards.



80e43b13

Fig. 171 Measure B1 Clutch Clearance

- 1 - PRESSING TOOL 8901
- 2 - B1 CLUTCH OUTER CARRIER

(5) Insert the multiple-disc pack (6) in the outer multiple-disc carrier and measure the clutch clearance.

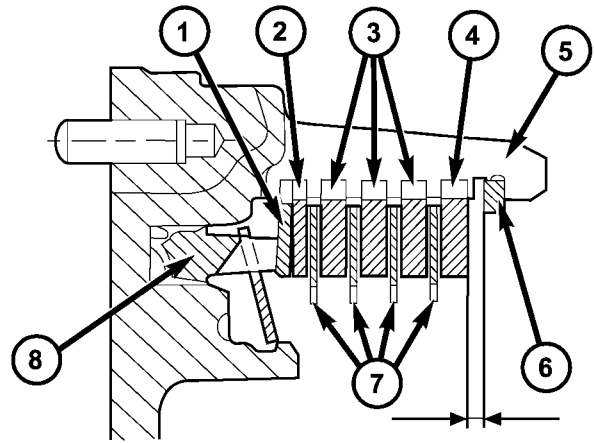
NOTE: Pay attention to the sequence of discs. If the original clutch discs are reused, be sure to return the disc identified on disassembly as belonging on top of the disc spring (5) to its original location.

CAUTION: When working with double sided friction discs, an externally lugged steel plate is installed first, followed by a friction disc, and continuing on until all the required discs are installed. When working with single sided friction discs, an externally lugged disc is installed first, followed by an internally lugged disc, and continuing on until all the required discs are installed. All single sided discs are installed with the friction side up.

NOTE: Place new friction multiple-discs in ATF fluid for one hour before installing.

(6) Measure B1 clutch clearance by mounting Pressing Tool 8901 (1) (Fig. 171) on outer multiple disc.

(7) Using a lever press (Fig. 171), compress pressing tool as far as the stop (then the marking ring is still visible, see small arrow).



80e43b17

Fig. 172 B1 Clutch Stack-up - Double Sided Discs

- 1 - DISC SPRING
- 2 - OUTER MULTIPLE DISC - 1.8 mm (0.071 IN.)
- 3 - OUTER MULTIPLE DISC - 2.8 mm (0.110 IN.)
- 4 - OUTER MULTIPLE DISC - 4.0 mm (0.158 IN.)
- 5 - B1 OUTER CARRIER
- 6 - SNAP-RING
- 7 - INNER MULTIPLE DISCS
- 8 - PISTON

(8) For transmissions using double sided friction discs, use a feeler gauge to determine the play "L" (Fig. 172) at three points between the snap-ring (6) and outer multiple-disc (4). During the measurement, the snap-ring (6) must contact the upper bearing surface of the groove in the outer multiple-disc carrier (5). The correct clearance for transmissions using double sided friction discs is 2.3-2.7 mm (0.091-0.106 in.) for two friction disc versions, 2.7-3.1 mm (0.106-0.122 in.) for three disc versions, and 3.0-3.4 mm (0.118-0.134 in.) for four disc versions.

(9) Adjust with snap-ring (6), if necessary. Snap-rings are available in thicknesses of 2.6 mm (0.102 in.), 2.9 mm (0.114 in.), 3.2 mm (0.126 in.), 3.5 mm (0.138 in.), 3.8 mm (0.150 in.), and 4.1 mm (0.162 in.).

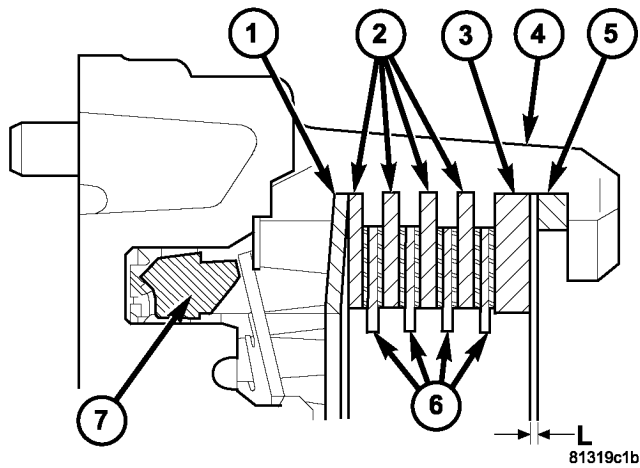


Fig. 173 B1 Clutch Stack-up - Single Sided Discs

- 1 - DISC SPRING
- 2 - OUTER MULTIPLE DISC
- 3 - OUTER MULTIPLE DISC - 4.0 mm (0.158 IN.)
- 4 - B1 OUTER CARRIER
- 5 - SNAP-RING
- 6 - INNER MULTIPLE DISCS
- 7 - PISTON

(10) For transmissions using single sided friction discs, use a feeler gauge to determine the play "L" (Fig. 173) at three points between the snap-ring (5) and outer multiple-disc (3). During the measurement, the snap-ring (5) must contact the upper bearing surface of the groove in the outer multiple-disc carrier (4). The correct clearance is 2.2-2.6 mm (0.087-0.102 in.) for four friction disc versions, 2.4-2.8 mm (0.095-0.110 in.) for six disc versions, and 2.6-3.0 mm (0.102-0.118 in.) for eight disc versions.

(11) Adjust with snap-ring (5), if necessary. Snap-rings are available in thicknesses of 2.6 mm (0.102 in.), 2.9 mm (0.114 in.), 3.2 mm (0.126 in.), 3.5 mm (0.138 in.), 3.8 mm (0.150 in.), and 4.1 mm (0.162 in.).

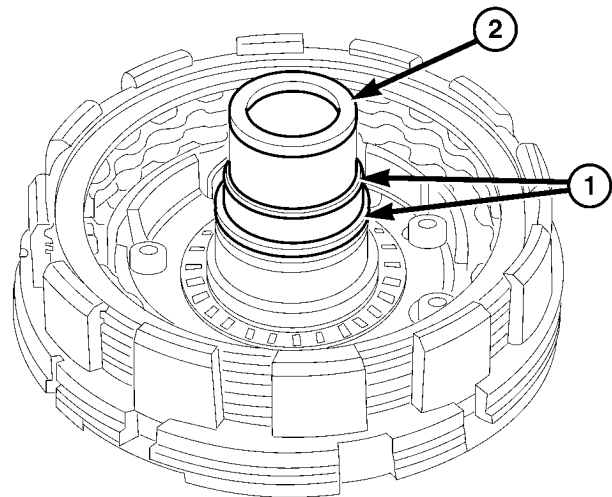


Fig. 174 Install the Teflon Rings

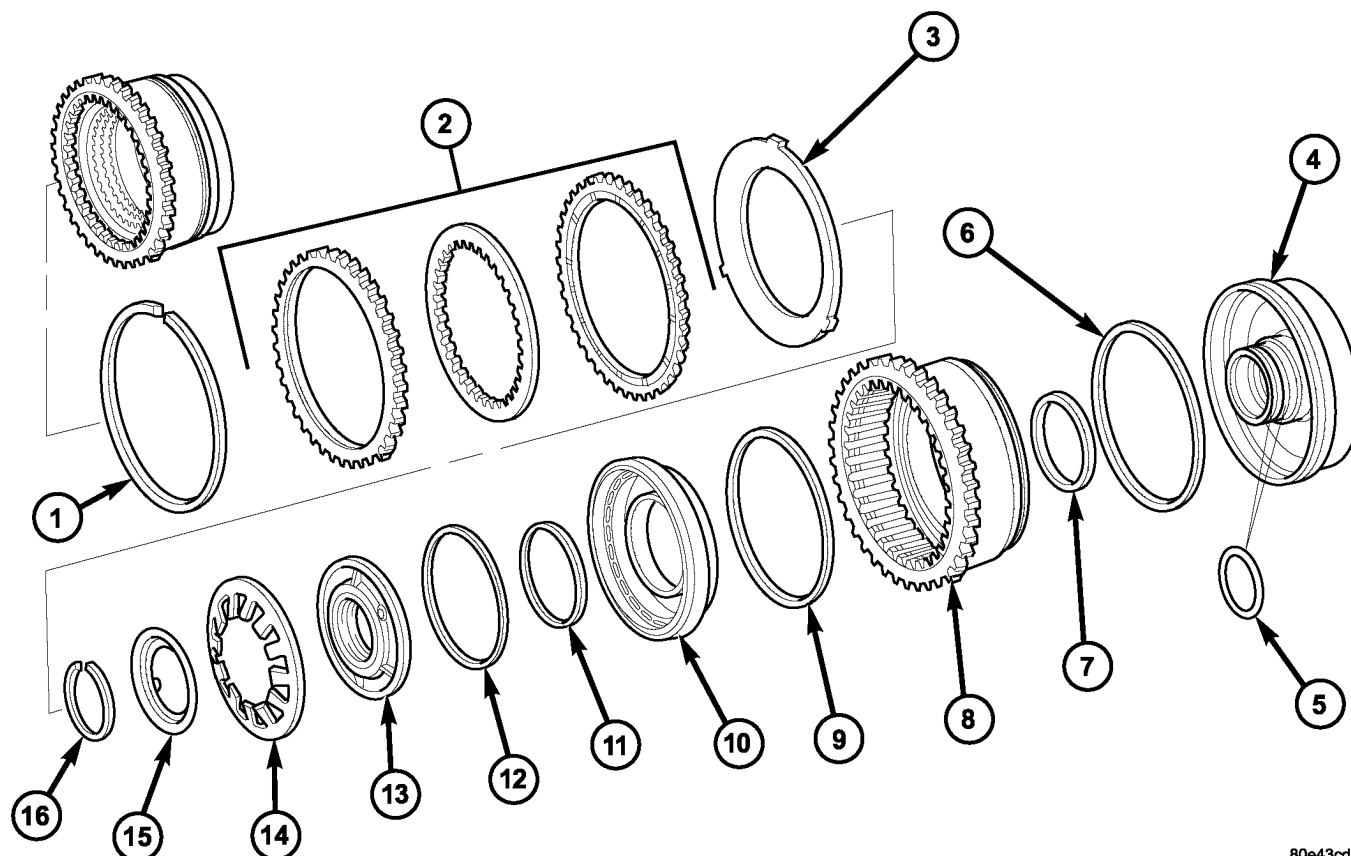
- 1 - TEFLON RINGS
- 2 - PLATE CARRIER HUB

(12) Install the teflon rings (1) (Fig. 174) onto the B1 plate carrier hub (2).

(13) Coat Teflon rings (1) lightly with grease and insert in the groove so that the joint remains together.

HOLDING CLUTCH B2

DISASSEMBLY



80e43cdd

Fig. 175 Holding Clutch B2

- | | |
|-------------------------------------|---------------------------------------|
| 1 - SNAP-RING | 9 - B2 PISTON SEALING RING |
| 2 - MULTIPLE DISC PACK | 10 - B2 PISTON |
| 3 - DISC SPRING | 11 - PISTON GUIDE SEALING RING |
| 4 - B2 AND B3 PISTON GUIDE | 12 - PISTON GUIDE SEALING RING |
| 5 - O-RING | 13 - PISTON GUIDE RING |
| 6 - B3 PISTON SEALING RING | 14 - PISTON BACK PRESSURE DISC SPRING |
| 7 - B3 PISTON SEALING RING | 15 - SPRING PLATE |
| 8 - B3 PISTON/B2 OUTER DISC CARRIER | 16 - SNAP-RING |

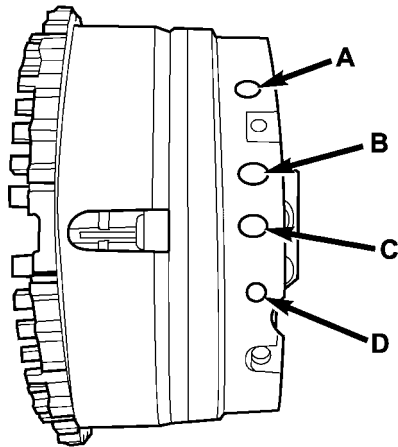
(1) Remove snap ring (1) (Fig. 175).

(2) Take multiple-disc pack B2 (2) and disc spring (3) out of the outer multiple-disc carrier B2 (8). The outer multiple-disc carrier for the multi-disc holding clutch B2 is the piston for the multiple-disc holding clutch B3 at the same time. Note which clutch disc is removed just prior to the disc spring (3) for re-assembly. If the clutch discs are re-used, this disc must be returned to its original position on top of the disc spring.

(3) Place the Multi-use Spring Compressor 8900 on the spring disc (14) and compress the spring until the groove for the snap-ring is exposed.

(4) Remove snap-ring (16) (Fig. 175).

(5) Remove spring plate (15) and disc spring (14).



80e43ced

Fig. 176 B2 Clutch Oil Supply Locations

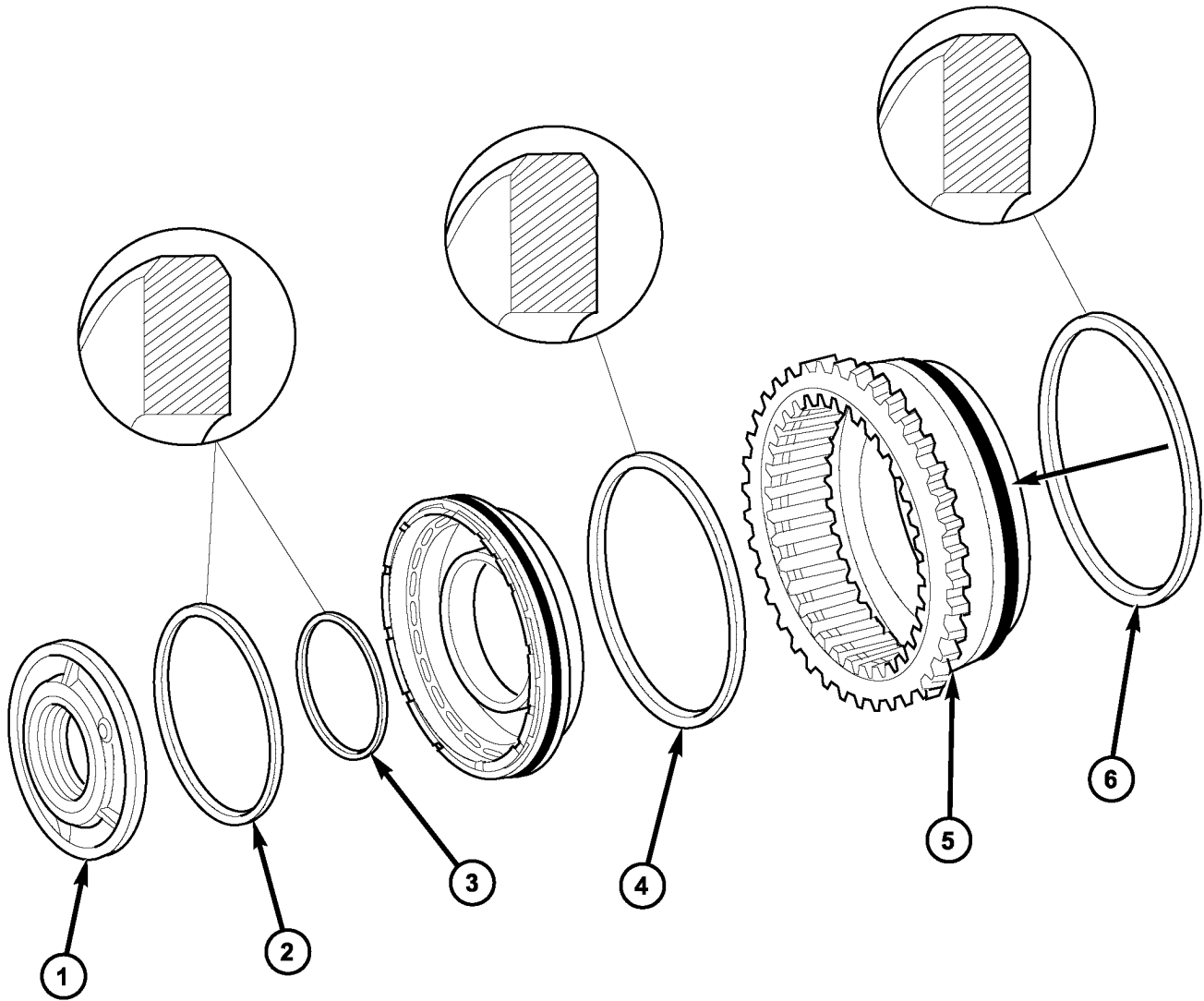
A - B3 PISTON
B - B2 PISTON GUIDE RING SIDE
C - K3 CLUTCH FEED
D - B2 PISTON SHIFT SIDE

(6) Separate piston guide ring (13) and the B2 piston (10) from the B3 piston (8) by blowing compressed air into the bore (**D**) (Fig. 176).

(7) Press piston guide ring (13) out of the B2 piston (10).

(8) Separate piston guide (4) from the B3 piston (8) by blowing compressed air into the bore (**A**) (Fig. 176).

ASSEMBLY



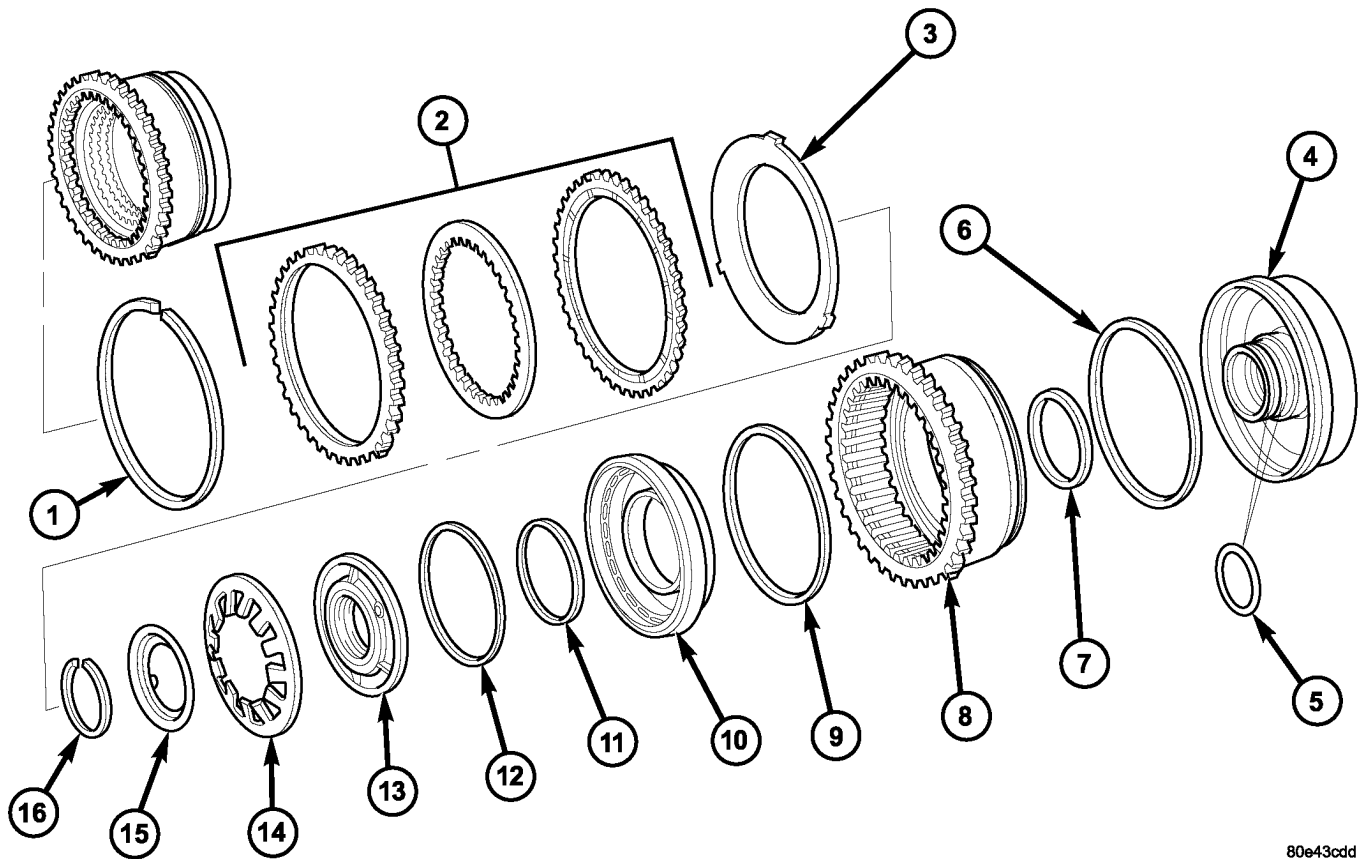
80e43ce5

Fig. 177 Holding Clutch B2/B3 Seals

- 1 - PISTON GUIDE RING
- 2 - PISTON GUIDE RING SEALING RING
- 3 - PISTON GUIDE RING SEALING RING

- 4 - B2 PISTON SEALING RING
- 5 - B3 PISTON/B2 OUTER DISC CARRIER
- 6 - B3 PISTON SEALING RING

(1) Check all sealing rings (2-4, 6) (Fig. 177), replace if necessary. The rounded off edges on the sealing rings (2, 4, 6) must point outwards.



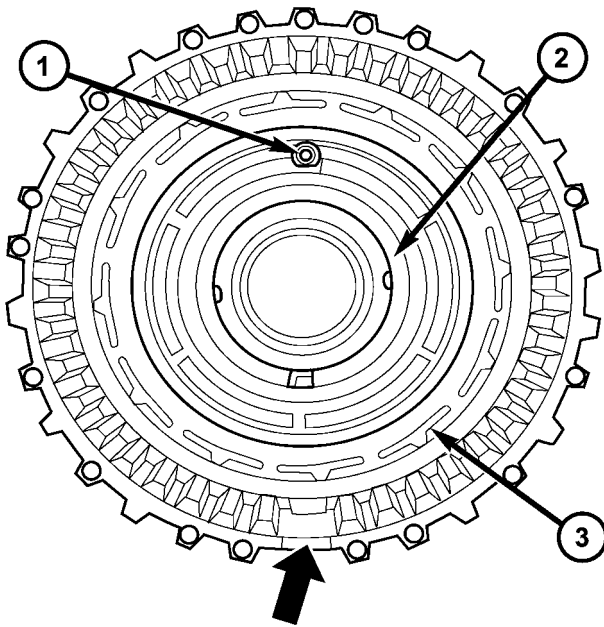
80e43cdd

Fig. 178 Holding Clutch B2

- | | |
|-------------------------------------|---------------------------------------|
| 1 - SNAP-RING | 9 - B2 PISTON SEALING RING |
| 2 - MULTIPLE DISC PACK | 10 - B2 PISTON |
| 3 - DISC SPRING | 11 - PISTON GUIDE SEALING RING |
| 4 - B2 AND B3 PISTON GUIDE | 12 - PISTON GUIDE SEALING RING |
| 5 - O-RING | 13 - PISTON GUIDE RING |
| 6 - B3 PISTON SEALING RING | 14 - PISTON BACK PRESSURE DISC SPRING |
| 7 - B3 PISTON SEALING RING | 15 - SPRING PLATE |
| 8 - B3 PISTON/B2 OUTER DISC CARRIER | 16 - SNAP-RING |

(2) Assemble piston guide (4) (Fig. 178) and B3 piston (8) in the correct position. Verify that the missing tooth in the B3 piston/B2 outer disc carrier (8) is aligned with the centerline of the two threaded holes in the B2 and B3 piston guide (4).

(3) Insert B2 piston (10) (Fig. 178) in B3 piston (8).



80e43ce9

Fig. 179 B2 Piston and Piston Guide Ring

- 1 - VALVE
- 2 - PISTON GUIDE RING
- 3 - B2 PISTON

(4) Insert piston guide ring (2) (Fig. 179). The valve (1) in the piston guide ring must be on top.

(5) Insert disc spring (14) (Fig. 178) and spring plate (15). Insert disc spring with the curvature towards the spring plate

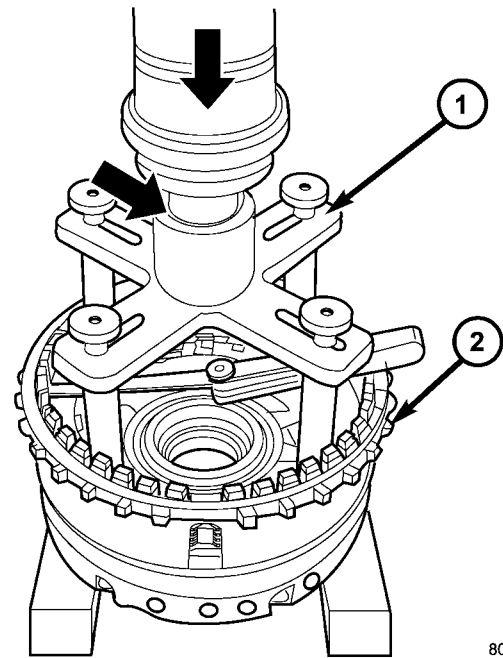
(6) Place Multi-use Spring Compressor 8900 on the disc spring (14) and compress the spring until the groove for the snap-ring is exposed.

(7) Insert snap-ring (16).

NOTE: Pay attention to sequence of discs. If the original clutch discs are reused, be sure to return the disc identified on disassembly as belonging on top of the disc spring (3) to its original location. Place new friction multiple-discs in ATF fluid for one hour before installing.

(8) Insert disc spring (3) and multiple-disc pack (2) in the B2 outer multiple-disc carrier.

(9) Insert snap-ring (1).



80e43cf8

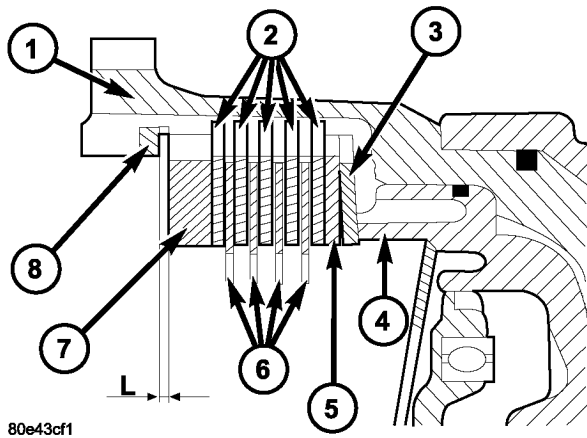
Fig. 180 Measure B2 Clutch Clearance

- 1 - PRESSING TOOL 8901
- 2 - B3 PISTON/B2 OUTER DISC CARRIER

NOTE: During the measurement the snap-ring (8) must contact the upper bearing surface of the groove in the outer multiple-disc carrier.

(10) Measure the B2 clutch pack clearance by mounting the Pressing Tool 8901 (1) (Fig. 180) on outer multiple disc.

(11) Using a lever press, compress the pressing tool as far as the stop (then the marking ring is still visible, see small arrow).



80e43cf1

Fig. 181 B2 Clutch Stack-up

- 1 - B2 OUTER DISC CARRIER
- 2 - FRICTION DISCS
- 3 - DISC SPRING
- 4 - B2 PISTON
- 5 - OUTER MULTIPLE DISC - 1.8 MM (0.071 IN.)
- 6 - OUTER MULTIPLE DISC - 1.8 MM (0.071 IN.)
- 7 - OUTER MULTIPLE DISC - 6.5 MM (0.256 IN.)
- 8 - SNAP-RING

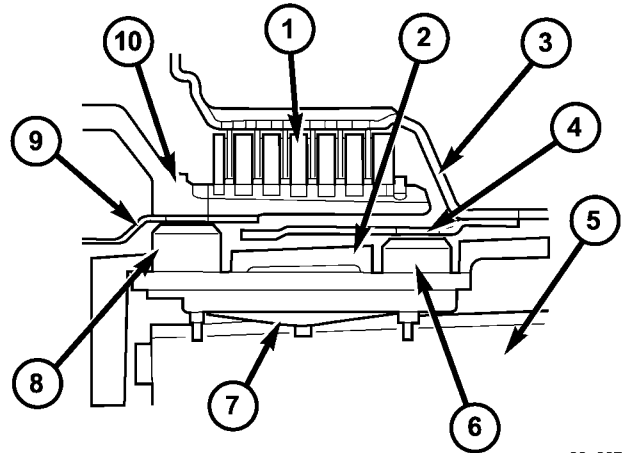
(12) Using a feeler gauge, determine the play "L" (Fig. 181) at three points between the snap-ring (8) and outer multiple-disc (7).

(13) The correct clutch clearance is 1.9-2.3 mm (0.075-0.091 in.) for the four friction disc versions and 2.0-2.4 mm (0.079-0.095 in.) for the five disc versions.

(14) Adjust with snap-ring (8), if necessary. Snap-rings are available in thicknesses of 2.9 mm (0.114 in.), 3.2 mm (0.126 in.), 3.5 mm (0.138 in.), 3.8 mm (0.150 in.), and 4.1 mm (0.162 in.).

INPUT SPEED SENSORS

DESCRIPTION



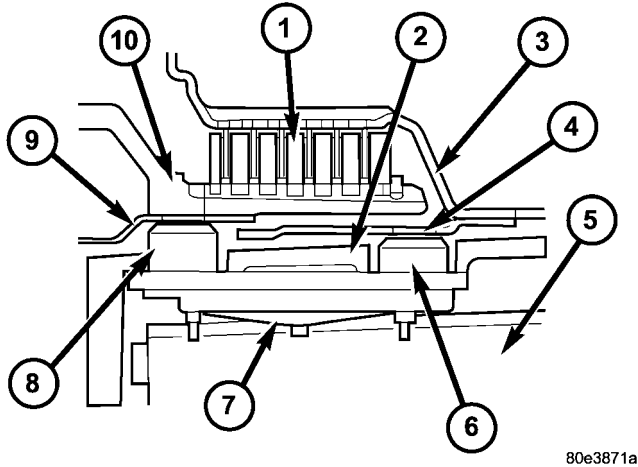
80e3871a

Fig. 182 Speed Sensors

- 1 - DRIVING CLUTCH K1
- 2 - TRANSMISSION HOUSING
- 3 - DRIVING CLUTCH K1 INTERNALLY TOOTHED DISC
- 4 - EXCITER RING
- 5 - VALVE HOUSING OF SHIFT PLATE
- 6 - N2 INPUT SPEED SENSOR
- 7 - SPRING
- 8 - N3 INPUT SPEED SENSOR
- 9 - EXCITER RING
- 10 - DRIVING CLUTCH K1 EXTERNALLY TOOTHED DISC

The input speed sensors (6, 8) (Fig. 182) are fixed to the shell of the control unit via contact blades. The speed sensors are pressed against the transmission housing (2) by a spring (7) which is held against the valve housing of the shift plate (5). This ensures a defined distance between the speed sensors and the exciter ring (4).

OPERATION



80e3871a

Fig. 183 Input Speed Sensors

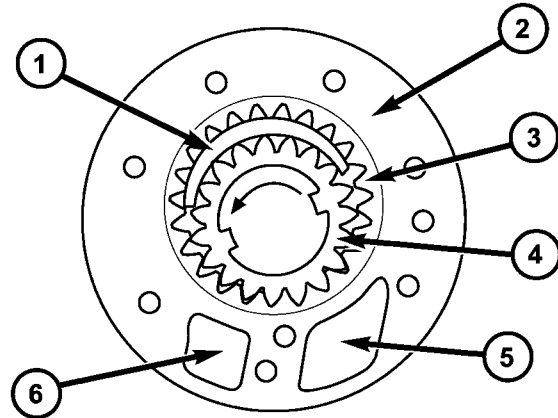
- 1 - DRIVING CLUTCH K1
- 2 - TRANSMISSION HOUSING
- 3 - DRIVING CLUTCH K1 INTERNALLY TOOTHED DISC
- 4 - EXCITER RING
- 5 - VALVE HOUSING OF SHIFT PLATE
- 6 - N2 INPUT SPEED SENSOR
- 7 - SPRING
- 8 - N3 INPUT SPEED SENSOR
- 9 - EXCITER RING
- 10 - DRIVING CLUTCH K1 EXTERNALLY TOOTHED DISC

Signals from the input speed sensors (6, 8) (Fig. 183) are recorded in the transmission control module (TCM) together with the wheel and engine speeds and other information and are processed into an input signal for electronic control.

Input speed sensor N2 (6) records the speed of the front sun gear via the externally toothed disc carrier of the multiple-disc clutch K1 (10) and input speed sensor N3 (8) records the speed of the front planet carrier via the internally toothed disc carrier of multiple-disc clutch K1 (3).

OIL PUMP

DESCRIPTION



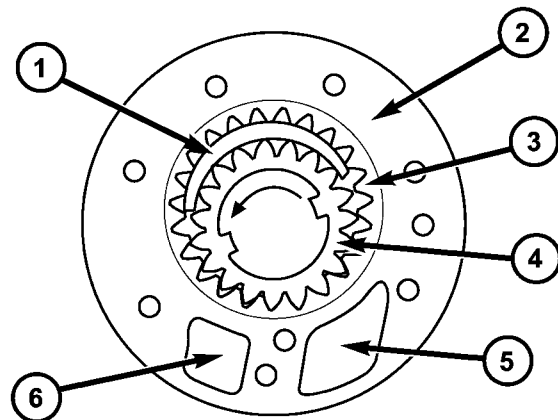
80e2c8f4

Fig. 184 Oil Pump

- 1 - CRESCENT
- 2 - OIL PUMP
- 3 - EXTERNAL GEAR
- 4 - INTERNAL GEAR
- 5 - INLET CHAMBER
- 6 - PRESSURE CHAMBER

The oil pump (2) (Fig. 184) (crescent-type pump) is installed in the bellhousing behind the torque converter and is driven by the drive flange of the torque converter. The pump creates the oil pressure required for the hydraulic procedures.

OPERATION



80e2c8f4

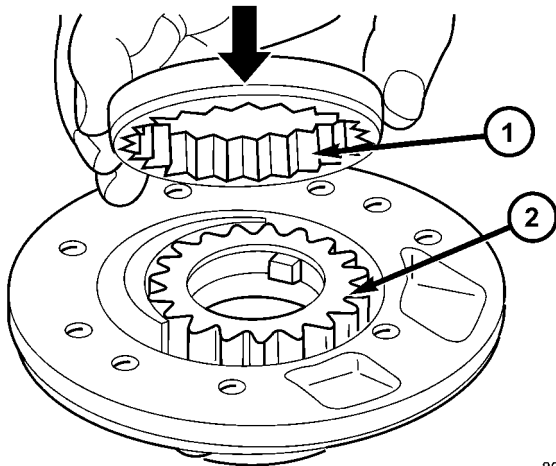
Fig. 185 Oil Pump

- 1 - CRESCENT
- 2 - OIL PUMP
- 3 - EXTERNAL GEAR
- 4 - INTERNAL GEAR
- 5 - INLET CHAMBER
- 6 - PRESSURE CHAMBER

When the engine is running, the oil (Fig. 185) is pumped through the inlet chamber (5) along the

upper and lower side of the crescent (1) to the pressure chamber (6) of the housing. The meshing of the teeth prevents oil flowing from the delivery side to the intake side. An external gear (3) is eccentrically mounted in the pump housing. The external gear is driven by the internal gear (4) which is connected to the torque converter hub.

DISASSEMBLY

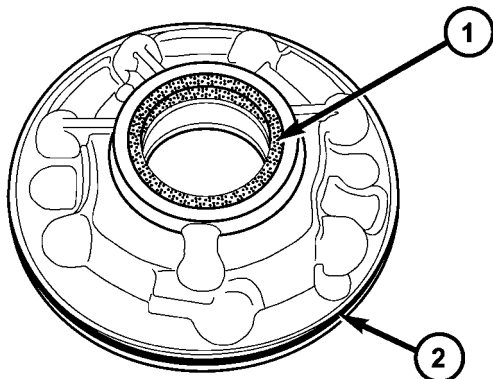


80e46812

Fig. 186 Oil Pump Gears

- 1 - OUTER PUMP ROTOR
- 2 - INNER PUMP ROTOR

(1) Remove pump gears (1 and 2) (Fig. 186) from pump housing.



80e400e1

Fig. 187 Remove Oil Pump Seals

- 1 - INNER OIL SEAL
- 2 - OUTER OIL SEAL

(2) Remove the inner oil pump seal (1) (Fig. 187).
 (3) Replace the outer oil pump O-ring (2) (Fig. 187).

INSPECTION

Before measuring any oil pump components, perform a thorough visual inspection of all the compo-

nents. If any sign of scoring, scratches, or other damage is seen, replace the oil pump as an assembly.

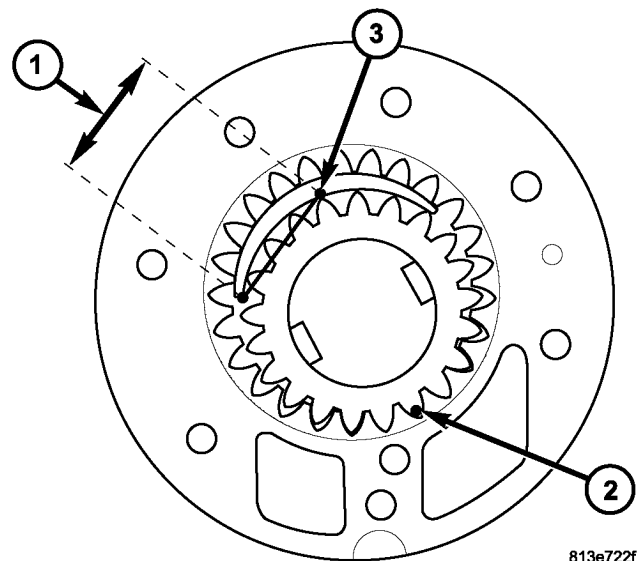
SIDE CLEARANCE

Side clearance is the difference between the thickness of the pump gears and the depth of the pocket in the pump housing. Side clearance can be measured by laying a flat plate across the mounting face of the pump housing, and measuring the distance between the plate and the gears.

Acceptable side clearance:

- Inner gear: 0.064 mm (0.0025 in) max
- Outer gear: 0.069 mm (0.0027 in) max

TIP CLEARANCE



813e722f

Fig. 188 Oil Pump Measurement

- 1 - MEASURE 37MM FROM THE CORNER OF CRESCENT
- 2 - TIGHT MESH HERE
- 3 - MEASURE TIP CLEARANCE HERE

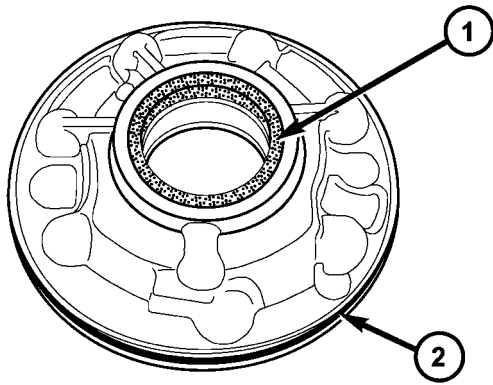
Tip clearance is the difference between the tip diameters of the gear teeth and the corresponding diameters of the pocket in the pump housing.

Tip clearance for the inner gear can be checked by moving the inner gear into tight mesh (2) (Fig. 188) with the outer gear as shown. Clearance between the ID of the crescent feature of the housing and the OD of the teeth of the inner gear (3) should then be measured at a point 37 mm from the corner of the crescent (1) feature, as shown below.

Acceptable tip clearance for inner gear:

- 0.85 mm (0.033 in) max

ASSEMBLY



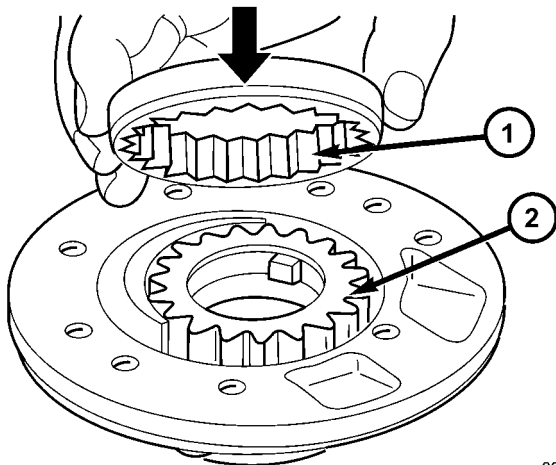
80e400e1

Fig. 189 Install New Oil Pump Seals

- 1 - INNER OIL SEAL
- 2 - OUTER OIL SEAL

(1) Install new inner oil pump seal (1) (Fig. 189) with Seal Installer 8902-A.

(2) Replace O-ring (2) (Fig. 189).



80e46812

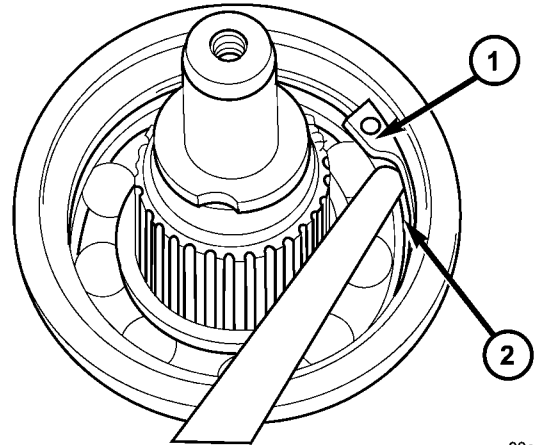
Fig. 190 Oil Pump Gears

- 1 - OUTER PUMP ROTOR
- 2 - INNER PUMP ROTOR

(3) Lubricate pump gears and place in the pump housing. Insert pump gear (1) (Fig. 190) so that the chamfer (arrow) points towards the pump housing.

OUTPUT SHAFT BEARING

REMOVAL



80e3f910

Fig. 191 Remove Rear Output Shaft Retaining Ring

- 1 - RETAINING RING
- 2 - OUTPUT SHAFT BEARING

(1) Raise and support vehicle.

(2) Remove the propeller shaft (Refer to 3 - DIFFERENTIAL & DRIVELINE/PROPELLER SHAFT/PROPELLER SHAFT - REMOVAL).

(3) Verify that the transmission is in PARK in order to prepare for the removal of the output shaft nut.

(4) Remove the nut holding the propeller shaft flange to the output shaft and remove the flange.

(5) Remove the transmission rear oil seal with a suitable slide hammer and screw.

(6) Remove the transmission output shaft washer. Be sure to tag the washer since it is very similar to the geartrain end-play shim and they must not be interchanged.

(7) Remove the transmission rear output shaft bearing retaining ring (1) (Fig. 191).

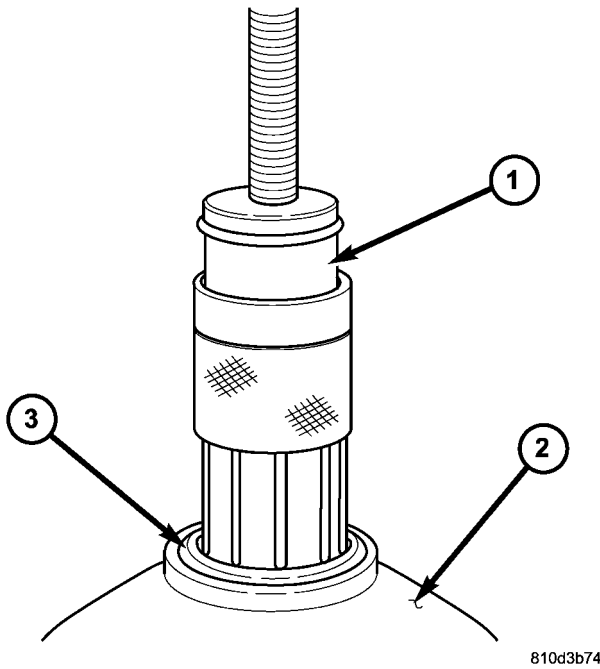


Fig. 192 Position Remover 9082 On Bearing

- 1 - BEARING REMOVER 9082
- 2 - TRANSMISSION CASE
- 3 - OUTPUT SHAFT BEARING

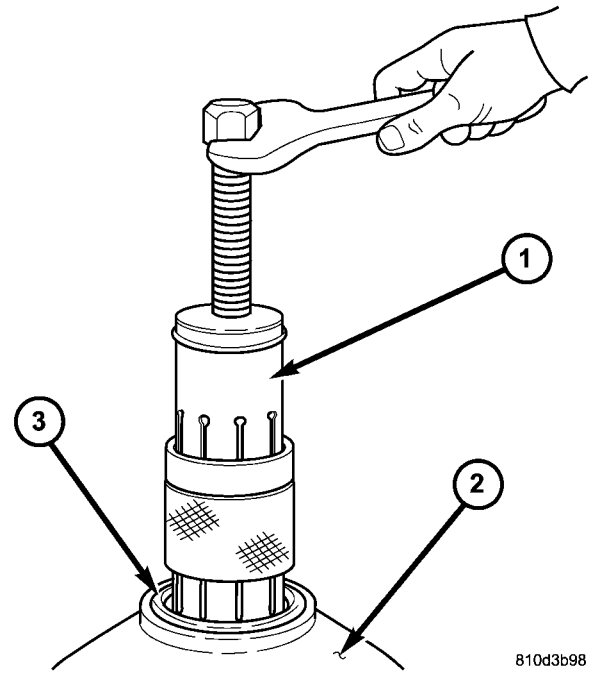


Fig. 194 Remove Output Shaft Bearing

- 1 - BEARING REMOVER 9082
- 2 - TRANSMISSION CASE
- 3 - OUTPUT SHAFT BEARING

(8) Position Bearing Remover 9082 (1) (Fig. 192) over the inner race of the output shaft bearing.

CAUTION: Verify that the geartrain end-play shim has remained on the output shaft and against the park gear. The shim may be adhered to the bearing inner race. Retrieve the shim from the bearing and install over the output shaft and against the park gear.

(10) Remove the output shaft bearing (3) (Fig. 194).

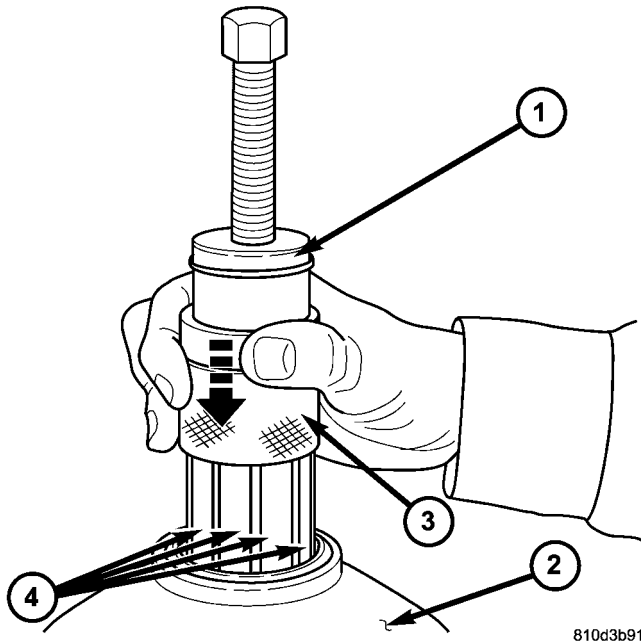


Fig. 193 Slide Remover 9082 Collar Downward

- 1 - BEARING REMOVER 9082
- 2 - TRANSMISSION CASE
- 3 - COLLAR
- 4 - FINGERS

(9) Slide the collar (3) (Fig. 193) on the Bearing Remover 9082 (1) downward over the fingers (3) of the tool.

INSTALLATION

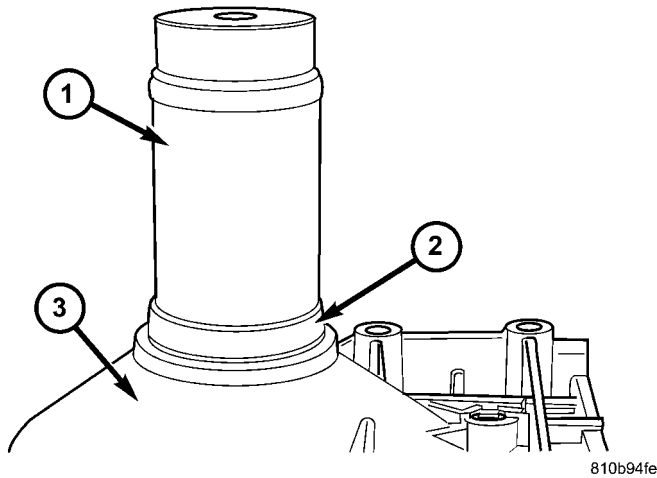


Fig. 195 Install Output Shaft Bearing

- 1 - BEARING INSTALLER 9287
- 2 - BEARING
- 3 - TRANSMISSION CASE

CAUTION: Verify that the geartrain end-play shim is properly installed over the output shaft and against the park gear.

(1) Install output shaft bearing in the rear transmission housing. Using Bearing Installer 9287 (1) (Fig. 195), install the output shaft bearing (2) into the transmission housing. **The closed side of the plastic cage must point towards the parking lock gear.**

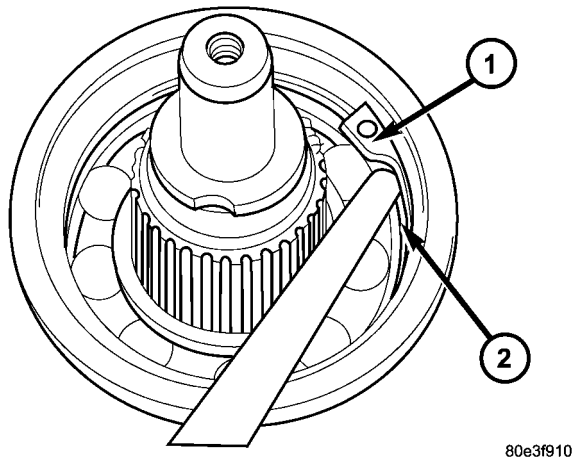


Fig. 196 Install Rear Output Shaft Retaining Ring

- 1 - RETAINING RING
- 2 - OUTPUT SHAFT BEARING

(2) Install the retaining ring (1) (Fig. 196). Ensure that the retaining ring is seated correctly in the groove.

(3) Check that there is no play between the bearing and the retaining ring using feeler gauge.

(4) There must be no play between the retaining ring and the bearing. If the ring cannot be installed,

a thinner ring must be used. If there is play between the ring and the bearing, a thicker ring must be installed. Retaining rings are available in thicknesses of 2.0 mm (0.079 in.), 2.1 mm (0.083 in.), and 2.2 mm (0.087 in.).

(5) Install the output shaft washer onto the output shaft.

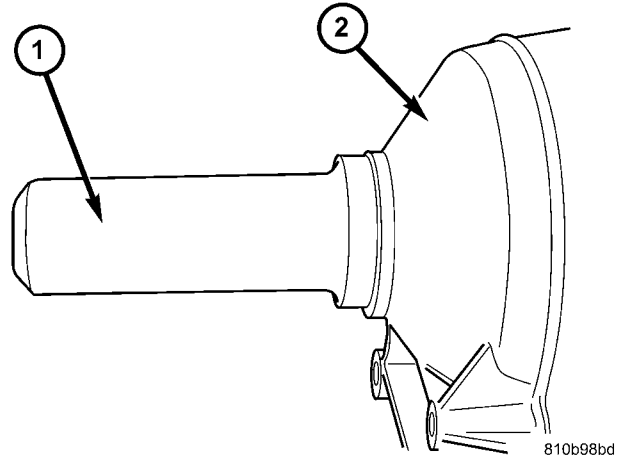


Fig. 197 Install Output Shaft Seal

- 1 - SEAL INSTALLER 8902A
- 2 - TRANSMISSION CASE

(6) Install a new transmission rear seal into the transmission case with Seal Installer 8902A (1) (Fig. 197).

(7) Verify that the transmission is in PARK in order to prepare for the installation of the output shaft nut.

(8) Install the propeller shaft flange onto the output shaft and install an new flange nut. Tighten the flange nut to 200 N·m (147.5 ft.lbs.).

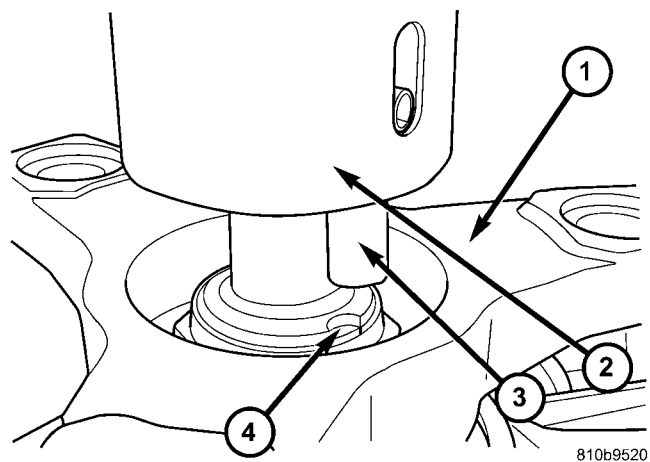
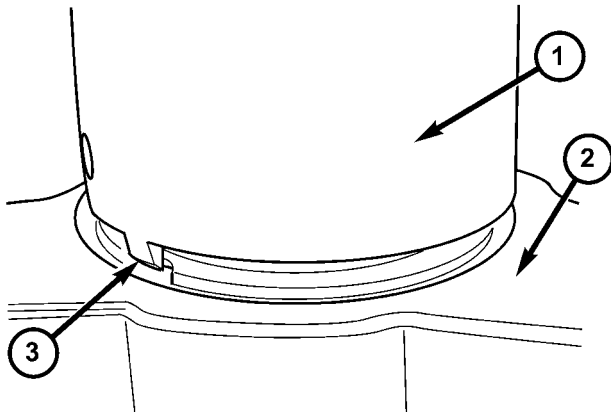


Fig. 198 Align Staking Tool 9078

- 1 - PROPELLER SHAFT FLANGE
- 2 - STAKING TOOL 9078
- 3 - ALIGNMENT PIN
- 4 - OUTPUT SHAFT NOTCH

(9) Stake the output shaft nut to the output shaft as follows. Place the Staking Tool 9078 (2) and Driver Handle C-4171 onto the output shaft.

(10) Rotate the Staking Tool 9078 (2) until the alignment pin (3) engages the output shaft notch (4) (Fig. 198).



810b94b2

Fig. 199 Stake Output Shaft Nut

- 1 - STAKING TOOL 9078
- 2 - PROPELLER FLANGE
- 3 - STAKING PIN

(11) Press downward on the staking tool (1) until the staking pin (3) contacts the output shaft nut flange (2) (Fig. 199).

(12) Strike the Driver handle C-4171 with a suitable hammer until the output shaft nut is securely staked to the output shaft.

(13) Install the propeller shaft (Refer to 3 - DIFFERENTIAL & DRIVELINE/PROPELLER SHAFT/PROPELLER SHAFT - INSTALLATION).

OUTPUT SHAFT SEAL

REMOVAL

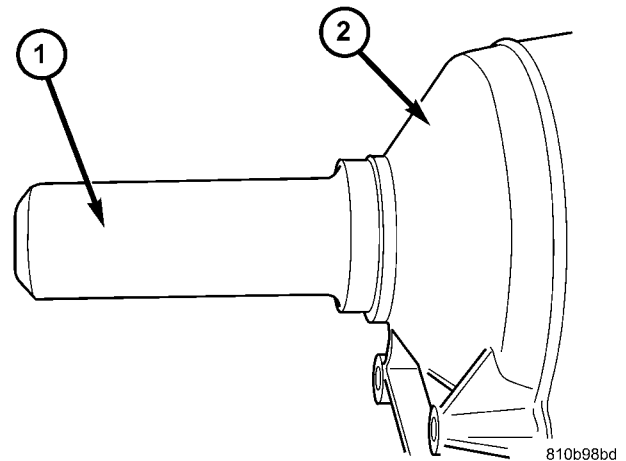
(1) Remove the propeller shaft (Refer to 3 - DIFFERENTIAL & DRIVELINE/PROPELLER SHAFT/PROPELLER SHAFT - REMOVAL). Move propeller shaft to the right and tie up.

(2) Verify that the transmission is in PARK in order to prepare for the removal of the output shaft nut.

(3) Remove the nut holding the propeller shaft flange to the output shaft and remove the flange.

(4) Remove the output shaft seal with suitable screw and slide hammer.

INSTALLATION



810b98bd

Fig. 200 Install the Output Shaft Seal

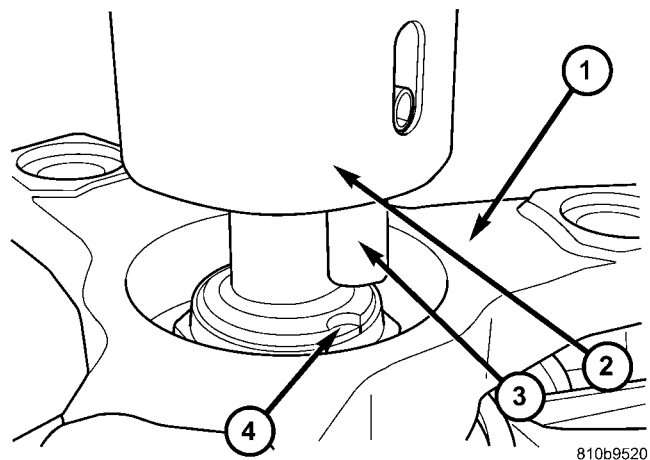
- 1 - SEAL INSTALLER 8902A
- 2 - TRANSMISSION CASE

(1) Position the new output shaft seal over the output shaft and against the transmission case.

(2) Use Seal Installer 8902A (1) (Fig. 200) to install the seal.

(3) Verify that the transmission is in PARK in order to prepare for the installation of the output shaft nut.

(4) Install the propeller shaft flange onto the output shaft and install an new flange nut. Tighten the flange nut to 200 N·m (147.5 ft.lbs.).



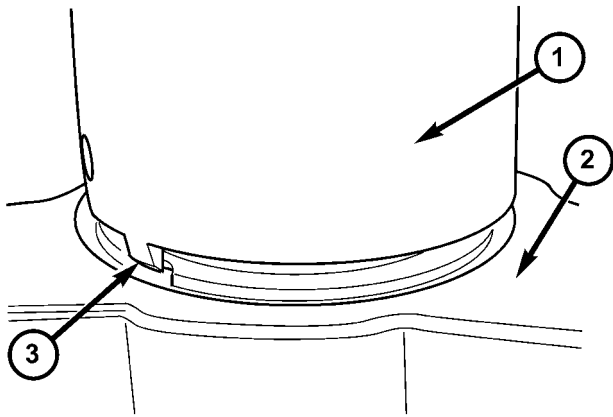
810b9520

Fig. 201 Align Staking Tool 9078

- 1 - PROPELLER SHAFT FLANGE
- 2 - STAKING TOOL 9078
- 3 - ALIGNMENT PIN
- 4 - OUTPUT SHAFT NOTCH

(5) Stake the output shaft nut to the output shaft as follows. Place the Staking Tool 9078 (2) and Driver Handle C-4171 onto the output shaft.

(6) Rotate the Staking Tool 9078 (2) until the alignment pin (3) engages the output shaft notch (4) (Fig. 201).



810b94b2

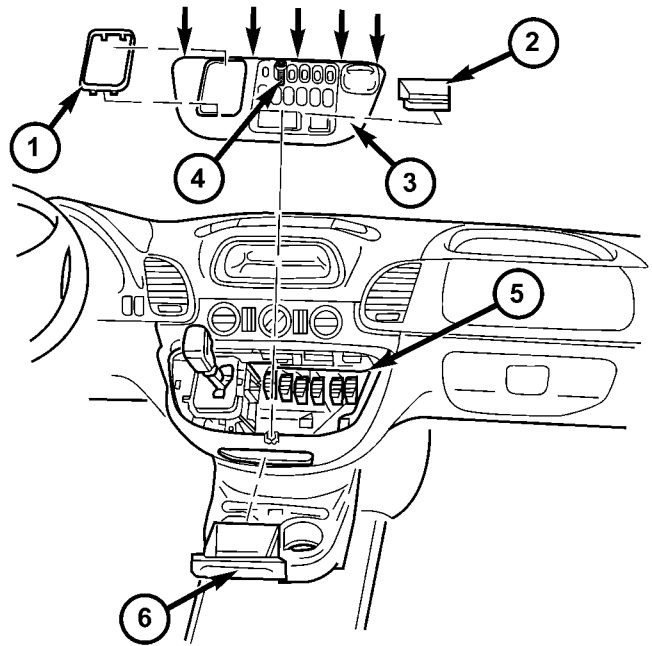
Fig. 202 Stake Output Shaft Nut

- 1 - STAKING TOOL 9078
- 2 - PROPELLER FLANGE
- 3 - STAKING PIN

(7) Press downward on the staking tool until the staking pin (3) contacts the output shaft nut flange (2) (Fig. 202).

(8) Strike the Driver handle C-4171 with a suitable hammer until the output shaft nut is securely staked to the output shaft.

(9) Install the propeller shaft (Refer to 3 - DIFFERENTIAL & DRIVELINE/PROPELLER SHAFT/PROPELLER SHAFT - INSTALLATION).



810b8e75

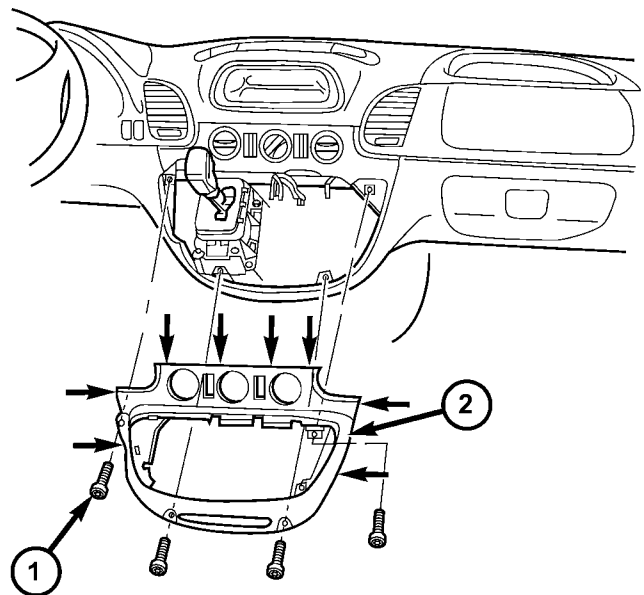
Fig. 203 Remove Top Section Of Center Instrument Panel

- 1 - SHIFT LEVER ASSEMBLY FRAME TRIM
- 2 - STORAGE COMPARTMENT
- 3 - TOP CENTER PART OF INSTRUMENT PANEL
- 4 - SCREW
- 5 - PLUG CONNECTIONS
- 6 - ASHTRAY

PARK LOCK CABLE

REMOVAL

- (1) Disconnect battery.
- (2) Move selector lever to position "D".
- (3) Remove top section (3) (Fig. 203) of the center section of instrument panel.
- (4) Remove bottom section (2) (Fig. 204) of the center section of instrument panel.

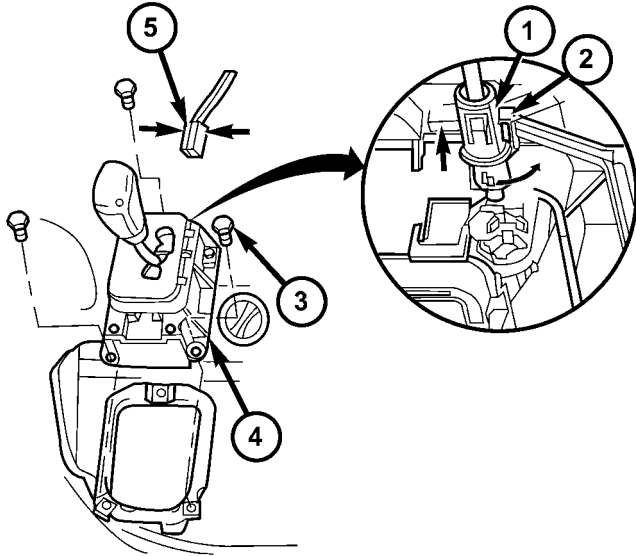


810b8e79

Fig. 204 Remove Bottom Section Of Center Instrument Panel

- 1 - SCREW
- 2 - BOTTOM CENTER PART OF INSTRUMENT PANEL

(5) Disconnect the park lock cable coupling (1) (Fig. 205) from the shift lever assembly (SLA). Press locking tab (2) together and push coupling (1) against the spring force into the SLA, twist through 90° (right or left) and pull off.

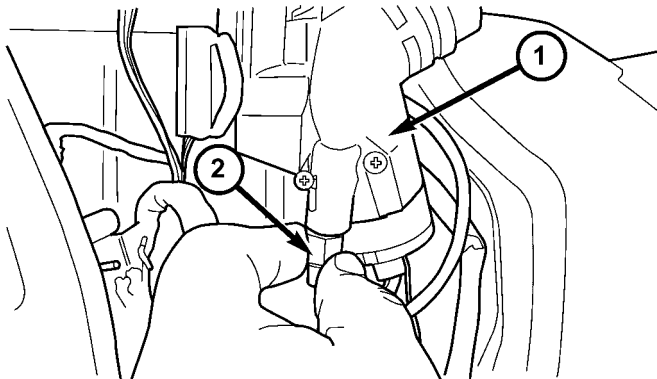


810b8c12

Fig. 205 Disengage Park Lock Cable From SLA

- 1 - PARK LOCK CABLE COUPLING
- 2 - LOCK TAB
- 3 - BOLT
- 4 - SHIFT LEVER ASSEMBLY (SLA)
- 5 - CONNECTOR

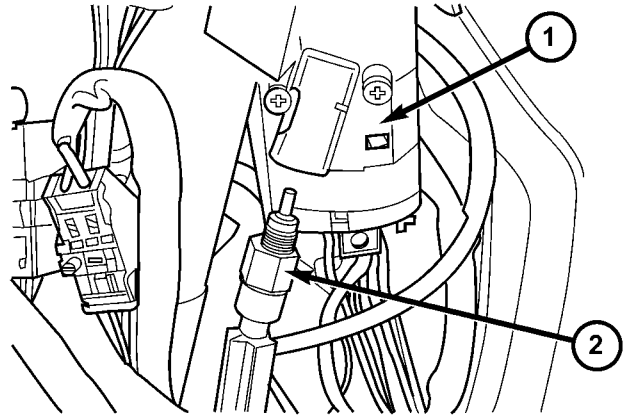
(6) Remove the lower steering column shroud.
 (7) Loosen the park lock cable (2) (Fig. 206) from the ignition switch.
 (8) Remove the park lock cable (2) (Fig. 207) from the ignition switch.



810b8e62

Fig. 206 Loosen Park Lock Cable From Ignition Switch

- 1 - IGNITION SWITCH
- 2 - PARK LOCK CABLE



810b8e67

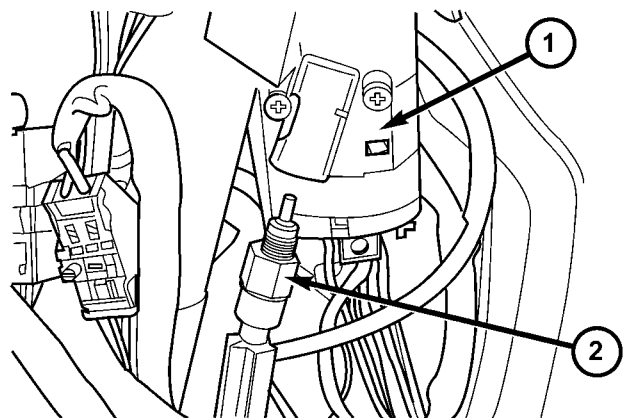
Fig. 207 Remove Park Lock Cable From Ignition Switch

- 1 - IGNITION SWITCH
- 2 - PARK LOCK CABLE

(9) Remove the park lock cable from the vehicle.

INSTALLATION

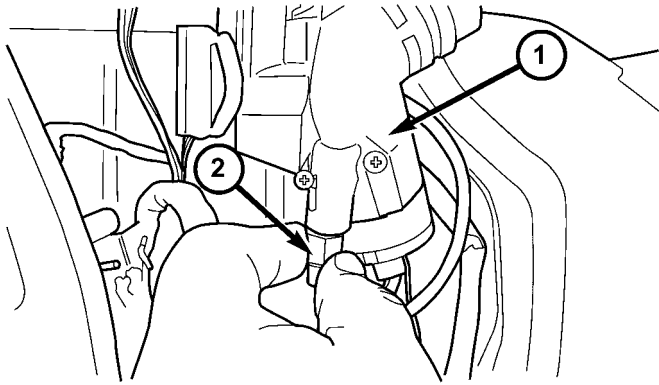
- (1) Route the park lock cable through the instrument panel between the steering column and the shift lever assembly (SLA).
- (2) Install the park lock cable (2) (Fig. 208) to the ignition switch.
- (3) Tighten the park lock cable (2) (Fig. 209) to the ignition switch.
- (4) Install the lower steering column shroud.



810b8e67

Fig. 208 Install Park Lock Cable to Ignition Switch

- 1 - IGNITION SWITCH
- 2 - PARK LOCK CABLE

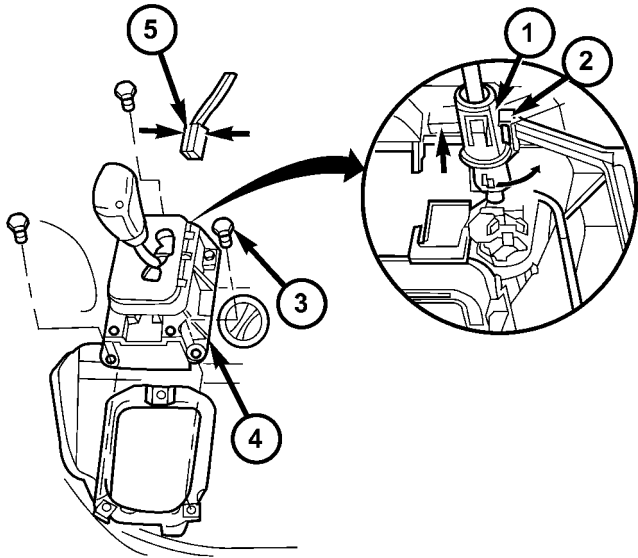


810b8e62

Fig. 209 Tighten Park Lock Cable to Ignition Switch

- 1 - IGNITION SWITCH
- 2 - PARK LOCK CABLE

(5) Connect the park lock cable coupling (1) (Fig. 210) to the shift lever assembly (SLA). Press locking tab (2) together and push coupling (1) against the spring force into the SLA, twist through 90° (right or left) until locked.



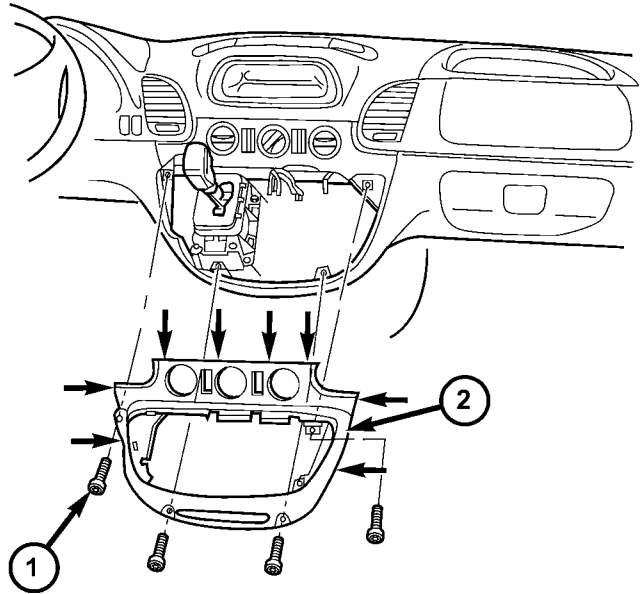
810b8c12

Fig. 210 Engage Park Lock Cable to SLA

- 1 - PARK LOCK CABLE COUPLING
- 2 - LOCK TAB
- 3 - BOLT
- 4 - SHIFT LEVER ASSEMBLY (SLA)
- 5 - CONNECTOR

(6) Install the bottom section (2) (Fig. 211) of the center section of instrument panel.

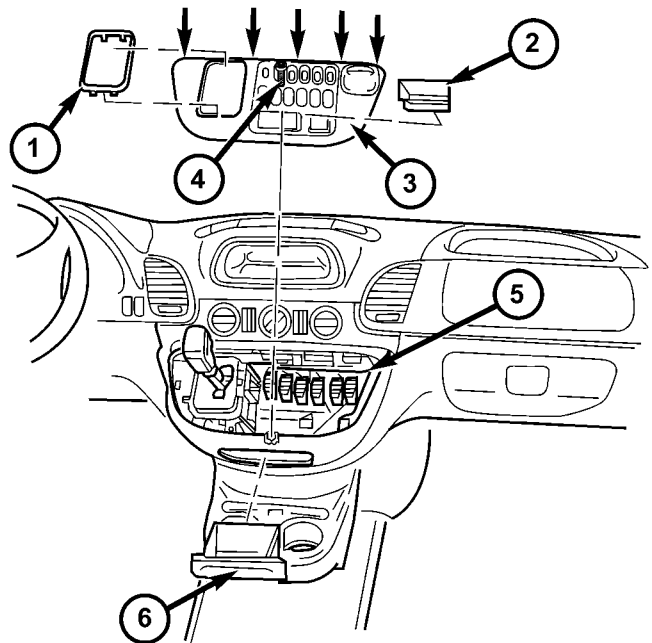
(7) Install the top section (3) (Fig. 212) of the center section of instrument panel.



810b8e79

Fig. 211 Install Bottom Section Of Center Instrument Panel

- 1 - SCREW
- 2 - BOTTOM CENTER PART OF INSTRUMENT PANEL



810b8e75

Fig. 212 Install Top Section Of Center Instrument Panel

- 1 - SHIFT LEVER ASSEMBLY FRAME TRIM
- 2 - STORAGE COMPARTMENT
- 3 - TOP CENTER PART OF INSTRUMENT PANEL
- 4 - SCREW
- 5 - PLUG CONNECTIONS
- 6 - ASHTRAY

(8) Connect battery.

(9) Verify repair.

PISTONS

DESCRIPTION

There are several sizes and types of pistons used in an automatic transmission. Some pistons are used to apply clutches. They all have in common the fact that they are round or circular in shape, located within a smooth walled cylinder, which is closed at one end and converts fluid pressure into mechanical movement. The fluid pressure exerted on the piston is contained within the system through the use of piston rings or seals.

OPERATION

The principal which makes this operation possible is known as Pascal's Law. Pascal's Law can be stated as: "Pressure on a confined fluid is transmitted equally in all directions and acts with equal force on equal areas."

PRESSURE

Pressure (Fig. 213) is nothing more than force (lbs.) divided by area (in or ft.), or force per unit area. Given a 100 lb. block and an area of 100 sq. in. on the floor, the pressure exerted by the block is: 100 lbs. 100 in or 1 pound per square inch, or PSI as it is commonly referred to.

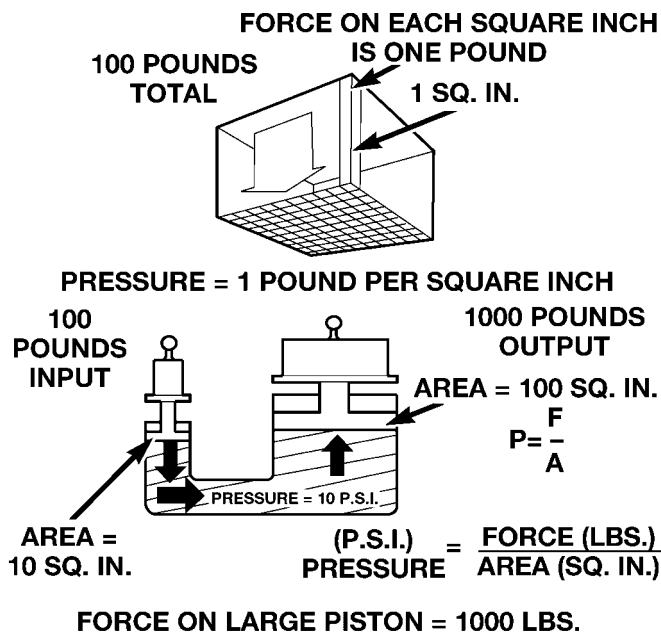
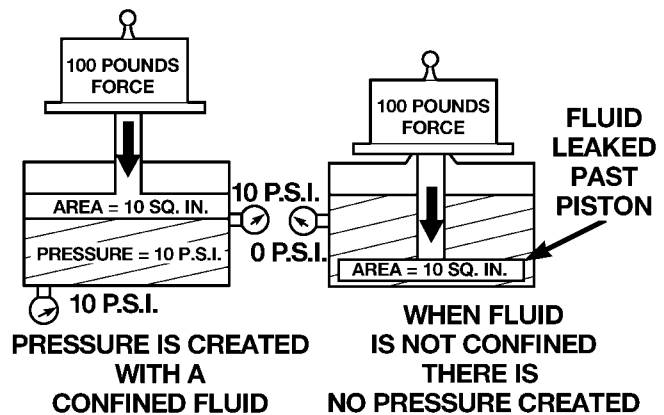


Fig. 213 Force and Pressure Relationship

PRESSURE ON A CONFINED FLUID

Pressure is exerted on a confined fluid (Fig. 214) by applying a force to some given area in contact with the fluid. A good example of this is a cylinder

filled with fluid and equipped with a piston that is closely fitted to the cylinder wall. If a force is applied to the piston, pressure will be developed in the fluid. Of course, no pressure will be created if the fluid is not confined. It will simply "leak" past the piston. There must be a resistance to flow in order to create pressure. Piston sealing is extremely important in hydraulic operation. Several kinds of seals are used to accomplish this within a transmission. These include but are not limited to O-rings, D-rings, lip seals, sealing rings, or extremely close tolerances between the piston and the cylinder wall. The force exerted is downward (gravity), however, the principle remains the same no matter which direction is taken. The pressure created in the fluid is equal to the force applied, divided by the piston area. If the force is 100 lbs., and the piston area is 10 sq. in., then the pressure created equals 10 PSI. Another interpretation of Pascal's Law is that regardless of container shape or size, the pressure will be maintained throughout, as long as the fluid is confined. In other words, the pressure in the fluid is the same everywhere within the container.



80bfe273

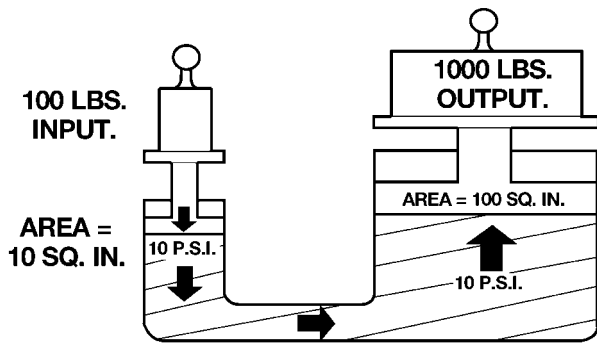
Fig. 214 Pressure on a Confined Fluid

FORCE MULTIPLICATION

Using the 10 PSI example used in the illustration (Fig. 215), a force of 1000 lbs. can be moved with a force of only 100 lbs. The secret of force multiplication in hydraulic systems is the total fluid contact area employed. The illustration, (Fig. 215), shows an area that is ten times larger than the original area. The pressure created with the smaller 100 lb. input is 10 PSI. The concept "pressure is the same everywhere" means that the pressure underneath the larger piston is also 10 PSI. Pressure is equal to the force applied divided by the contact area. Therefore, by means of simple algebra, the output force may be found. This concept is extremely important, as it is also used in the design and operation of all shift valves and limiting valves in the valve body, as well as the pistons, of the transmission, which activate

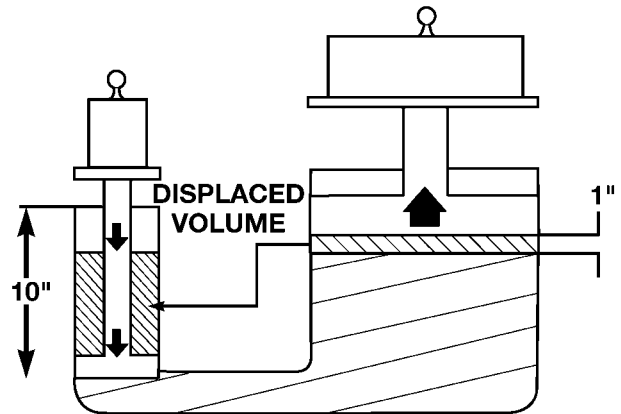
80bfe272

the clutches and bands. It is nothing more than using a difference of area to create a difference in pressure to move an object.



80bfe274

Fig. 215 Force Multiplication



80bfe275

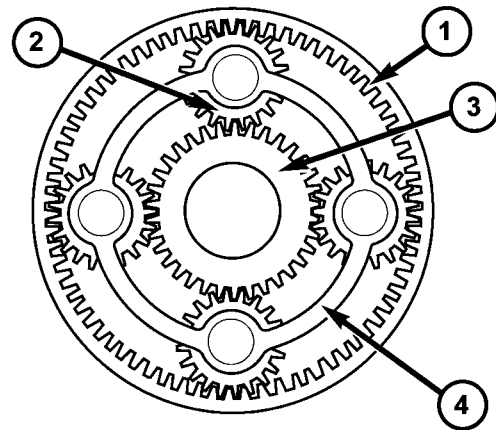
Fig. 216 Piston Travel

PISTON TRAVEL

The relationship between hydraulic lever and a mechanical lever is the same. With a mechanical lever it's a weight-to-distance output rather than a pressure-to-area output. Using the same forces and areas as in the previous example, the smaller piston (Fig. 216) has to move ten times the distance required to move the larger piston one inch. Therefore, for every inch the larger piston moves, the smaller piston moves ten inches. This principle is true in other instances also. A common garage floor jack is a good example. To raise a car weighing 2000 lbs., an effort of only 100 lbs. may be required. For every inch the car moves upward, the input piston at the jack handle must move 20 inches downward.

PLANETARY GEARTRAIN

DESCRIPTION



80e2e625

Fig. 217 Planetary Geartrain

- 1 - ANNULUS GEAR
- 2 - PLANETARY PINION GEARS
- 3 - SUN GEAR
- 4 - PLANETARY CARRIER

Three planetary gear sets (Fig. 217) are used to produce the different gear ratios. These are located in the mechanical part of the transmission as the front, middle and rear planetary gear sets.

OPERATION

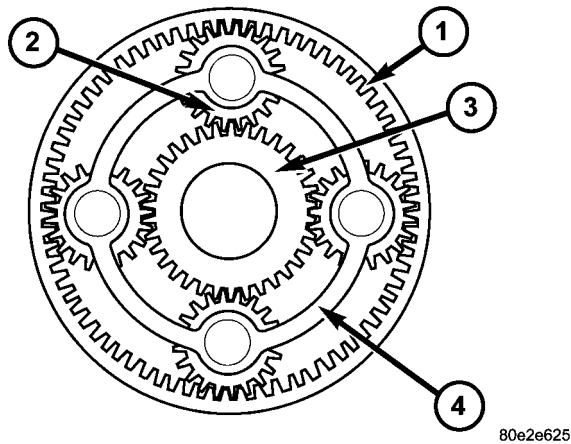


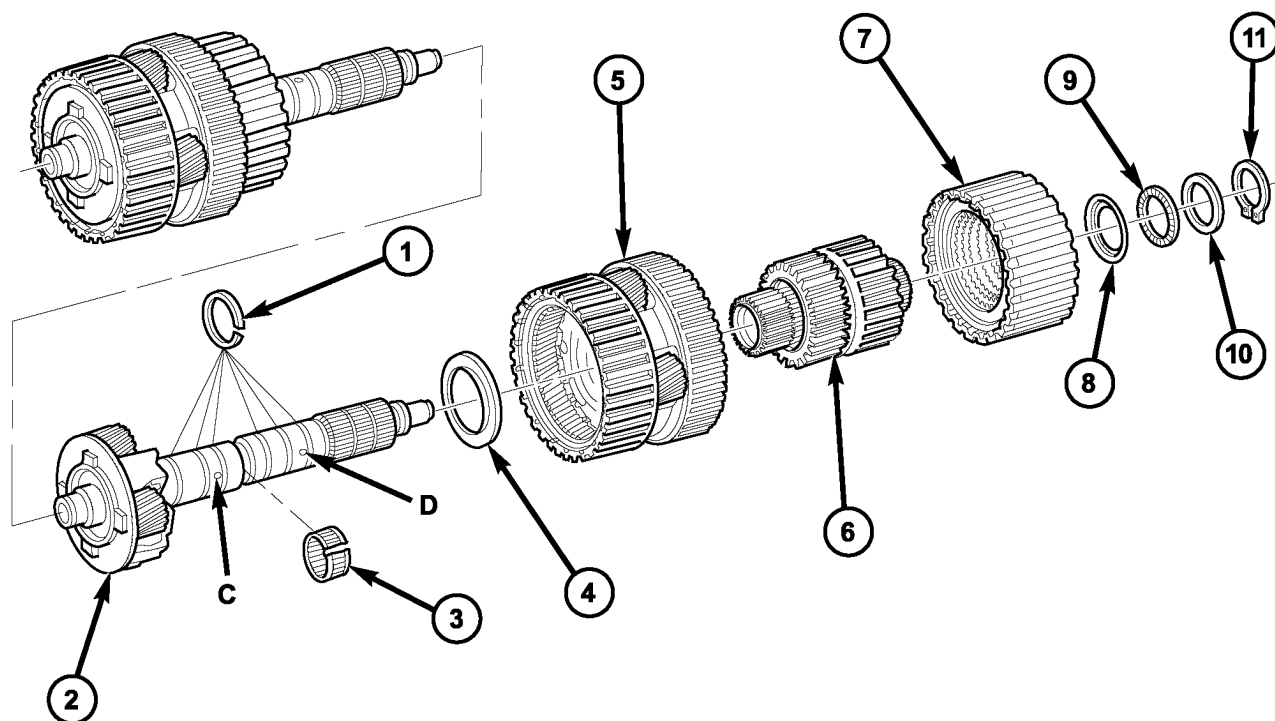
Fig. 218 Planetary Geartrain

- 1 - ANNULUS GEAR
- 2 - PLANETARY PINION GEARS
- 3 - SUN GEAR
- 4 - PLANETARY CARRIER

The annulus gear (1) (Fig. 218) and sun gear (3) elements of a planetary gear system are alternately driven and braked by the actuating elements of the multi-plate clutch and multiple-disc brake. The planetary pinion gears (2) can turn on the internal gearing of the annulus gear (1) and on the external gearing of the sun gear (3). This allows for a variety of gear ratios and the reversal of the rotation direction without the need for moving gear wheels or shift collars. When two components of the planetary gear set are locked together, the planetary gear set is locked and turns as a closed unit.

The torque and engine speed are converted according to the lever ratios and the ratio of the number of teeth on the driven gears to that on the drive gears, and is referred to as the gear ratio. The overall ratio of a number of planetary gear sets connected in series is obtained by multiplying the partial ratios.

DISASSEMBLY



80e432e7

Fig. 219 Output Shaft with Center and Rear Planetary Geartrain

- | | |
|--|--------------------------|
| 1 - TEFLON RINGS | 7 - DRIVING CLUTCH K3 |
| 2 - OUTPUT SHAFT WITH CENTER PLANETARY CARRIER | 8 - THRUST WASHER |
| 3 - NEEDLE BEARING | 9 - AXIAL NEEDLE BEARING |
| 4 - THRUST WASHER | 10 - SHIM |
| 5 - REAR PLANETARY GEAR SET | 11 - RETAINING RING |
| 6 - REAR HOLLOW SHAFT/FREEWHEELING CLUTCH F2 | |

(1) Remove upper two visible Teflon rings (1) (Fig. 219) from output shaft.

(2) Remove retaining ring (11), shim (10), thrust needle bearing (9) and thrust washer (8) from output shaft.

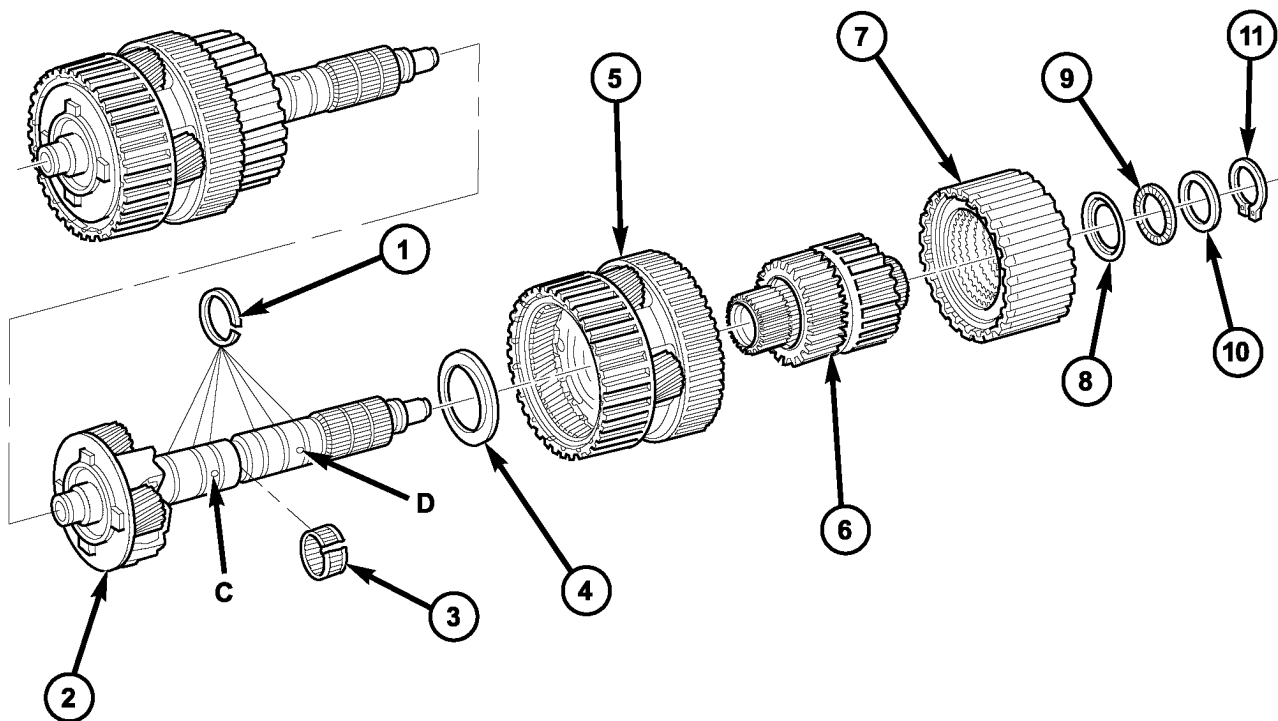
(3) Remove clutch K3 (7).

(4) Remove rear tubular shaft/freewheeling clutch F2 (6) (Fig. 219) from output shaft.

(5) Remove rear gear set (5) with integrated tubular shaft of center gear set from output shaft.

(6) Remove thrust washer (4).

ASSEMBLY



80e432e7

Fig. 220 Output Shaft with Center and Rear Planetary Geartrain

- | | |
|--|--------------------------|
| 1 - TEFLON RINGS | 7 - DRIVING CLUTCH K3 |
| 2 - OUTPUT SHAFT WITH CENTER PLANETARY CARRIER | 8 - THRUST WASHER |
| 3 - NEEDLE BEARING | 9 - AXIAL NEEDLE BEARING |
| 4 - THRUST WASHER | 10 - SHIM |
| 5 - REAR PLANETARY GEAR SET | 11 - RETAINING RING |
| 6 - REAR HOLLOW SHAFT/FREEWHEELING CLUTCH F2 | |

(1) Mount thrust washer (4) (Fig. 220) with the collar pointing towards the planet carrier.

(2) Mount the rear gear set (5) on the rear hollow shaft (6).

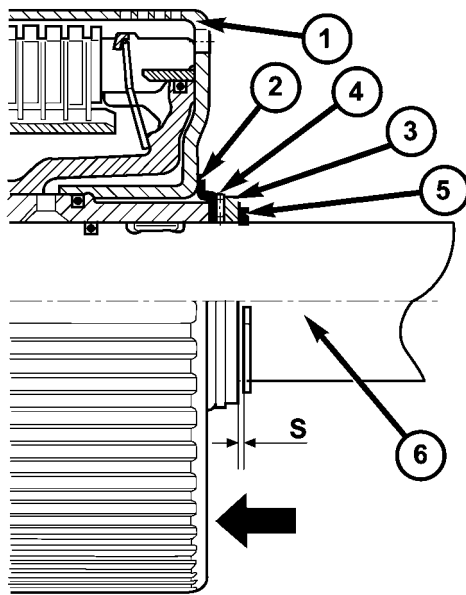
(3) Using grease, install lower three Teflon rings (1) (Fig. 220) in the groove so that the joint stays together

(4) Put rear hollow shaft/freewheeling clutch F2 (6) with rear gear set (5) onto output shaft.

(5) Install clutch K3 (7).

(6) Mount retaining ring, shim, thrust needle bearing and thrust washer (8 - 11) (Fig. 220).

(7) Using grease, insert the upper two Teflon rings (1) in the groove so that the joint remains together.



80e4338e

Fig. 221 Check Center and Rear Planetary End-Play

- 1 - DRIVING CLUTCH K3
- 2 - THRUST WASHER
- 3 - SHIM
- 4 - AXIAL NEEDLE BEARING
- 5 - RETAINING RING
- 6 - OUTPUT SHAFT WITH CENTER PLANETARY CARRIER

NOTE: During the test, apply a contact force by hand to K3 in the direction of the arrow.

(8) Inspect axial play (Fig. 221) between shim (10) and retaining ring (11). Check axial play "S" between shim (10) and retaining ring (1) using a feeler gauge. Clearance should be 0.15-0.6 mm (0.006-0.024 in.). Shims are available in thicknesses of 3.0 mm (0.118 in.), 3.4 mm (0.134 in.), and 3.7 mm (0.146 in.). Adjust as necessary

SHIFT MECHANISM

DESCRIPTION

The automatic transmission is operated with the help of a shift lever assembly (SLA) located in the center console. There are four positions to which the selection lever can be shifted: P, R, N, D. In addition, the selector lever can be moved sideways (+/-) in position "D" to adjust the shift range.

All selector lever positions, as well as selected shift ranges in position "D", are identified by the SLA. The information is then sent to the transmission control module (TCM) via a hardwire connection. At the same time, the selector lever positions "P", "R", "N" and "D" are transmitted by a shift cable to the selector shaft in the transmission.

The SLA is comprised of the following functions:

- **Key lock:** Depending on the selector lever position, the ignition lock is locked/unlocked, i.e., the ignition key can be removed only if the selector lever is in position "P". A park lock cable is used to perform this function.

- **Park lock:** The selector lever is not released from position "P" until the brake pedal has been applied and the ignition key is in driving position. Shift lock is controlled by the brake light switch in conjunction with a locking solenoid in the SLA. As soon as the brake pedal is applied firmly, the locking solenoid is retracted to unlock the selector lever. If the selector lever cannot be moved out of position "P" due to a malfunction, the shift lock function can be overridden (see operator's manual).

- **Reverse inhibitor:** As soon as the vehicle speed exceeds approx. 4 mph, it is no longer possible to move the selector lever from position "N" to position "R".

OPERATION

With the selector lever in position "D", the transmission control module (TCM) automatically shifts the gears that are best-suited to the current operating situation. This means that shifting of gears is continuously adjusted to current driving and operating conditions in line with the selected shift range and the accelerator pedal position. Starting off is always performed in 1st gear.

The selector lever positions are determined by the slider position of a potentiometer in the shift lever assembly (SLA). The shift pattern diagram (position display) and the program selector are illuminated by the LEDs.

The current selector lever position or, if the shift range has been limited, the current shift range is indicated in the LCD display in the instrument cluster.

The permissible shifter positions and transmission operating ranges are:

- P = Parking lock and engine starting.
- R = Reverse.
- N = Neutral and engine starting (no power is transmitted to the axles).
- D = The shift range includes all forward gears.
- 4= Shift range is limited to gears 1 to 4.
- 3= Shift range is limited to gears 1 to 3.
- 2= Shift range is limited to gears 1 to 2.
- 1= Shift range is limited to the 1st gear.

The shift range can be adjusted to the current operating conditions by tipping the selector lever to the left-hand side ("-") or the right-hand side ("+") when in position "D". If the shift range is limited, the display in the instrument cluster indicates the selected shift range and not the currently engaged gear.

Tipping the shift lever will have the following results:

- **Tipping the selector lever toward “-” one time after another:** The shift range is reduced in descending sequence by one gear each time, i.e., from D - 4 - 3 - 2 - 1. If the selected limitation of the shift range would result in a downshift causing excessive engine speed, the shifting is not executed and the engaged gear as well as the shift range remain unchanged. This is to prevent the engine from over-speeding. Engine retardation is low with the selector lever in position “D”. To make use of the full braking power of the engine, “manual” downshifting by tipping the lever towards the left-hand side is recommended. If this has been done, subsequent upshifting must be carried out manually as well.

- **Tipping the selector lever toward “-” and holding it in this position:** The currently engaged gear in range “D” is indicated in the instrument cluster display and the shift range is limited to this gear.

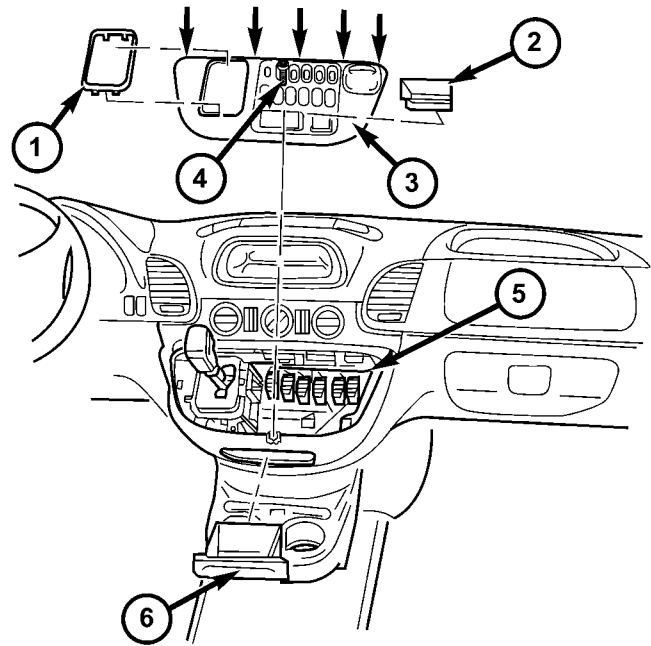
- **Tipping the selector lever toward “+” one time after another:** The shift range is increased by one gear each time and the increased shift range is displayed in the instrument cluster; possibly, the transmission upshifts to a faster gear.

- **Tipping the selector lever toward “+” several times:** The shift range is increased by one gear each time the lever is tipped until the shift range ends up in “D”.

- **Tipping the selector lever toward “+” and holding it in this position:** The shift range is extended immediately to “D”, shift ranges are indicated in ascending sequence; possibly, the transmission upshifts to a faster gear due to the extension of the shift range.

REMOVAL

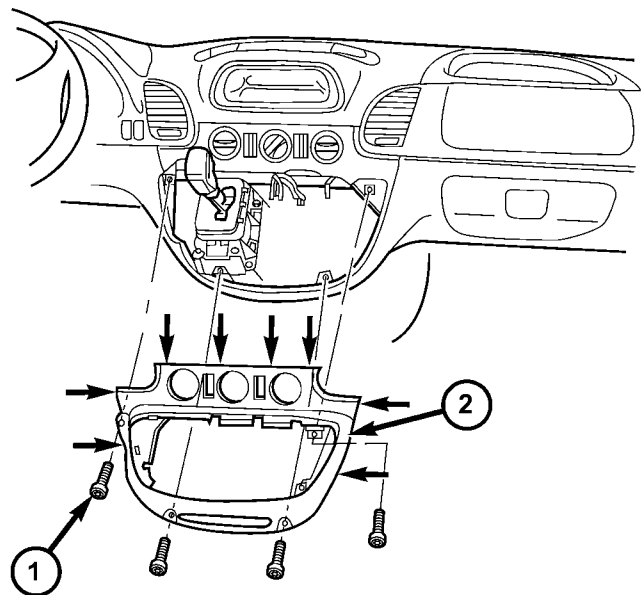
- (1) Move selector lever to position “D”.
- (2) Remove top section (3) (Fig. 222) of the center section of instrument panel.
- (3) Remove bottom section (2) (Fig. 223) of the center section of instrument panel.



810b8e75

Fig. 222 Remove Top Section Of Center Instrument Panel

- 1 - SHIFT LEVER ASSEMBLY FRAME TRIM
- 2 - STORAGE COMPARTMENT
- 3 - TOP CENTER PART OF INSTRUMENT PANEL
- 4 - SCREW
- 5 - PLUG CONNECTIONS
- 6 - ASHTRAY



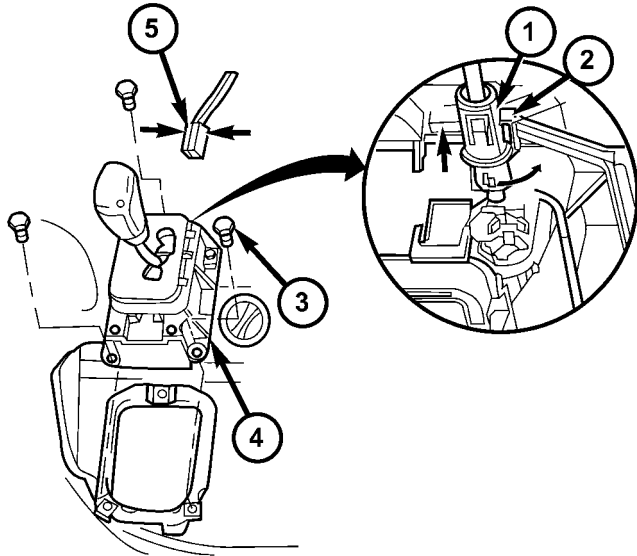
810b8e79

Fig. 223 Remove Bottom Section Of Center Instrument Panel

- 1 - SCREW
- 2 - BOTTOM CENTER PART OF INSTRUMENT PANEL

(4) Disconnect the park lock cable coupling (1) (Fig. 224) from the shift lever assembly (SLA). Press locking tab (2) together and push coupling (1) against the spring force into the SLA, twist through 90° (right or left) and pull off.

(5) Disconnect connector plug (5) from SLA. When disconnecting plug, press together at points shown (arrows).



810b8c12

Fig. 224 Disengage Park Lock Cable From SLA

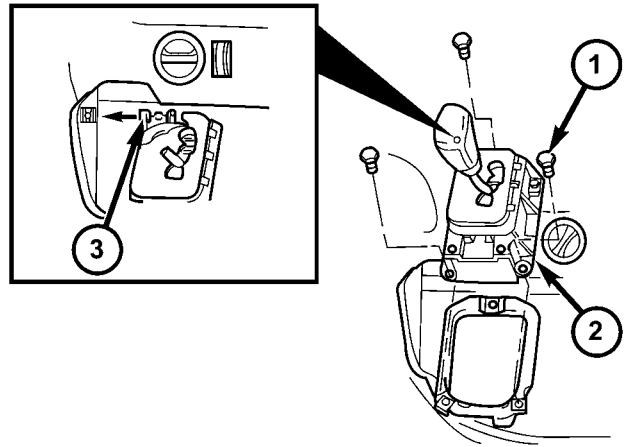
- 1 - PARK LOCK CABLE COUPLING
- 2 - LOCK TAB
- 3 - BOLT
- 4 - SHIFT LEVER ASSEMBLY (SLA)
- 5 - CONNECTOR

(6) Pry ball socket (4) of transmission shift cable off ball knob at the SLA. Use a suitable slotted screwdriver.

(7) Unscrew bolts (1) (Fig. 225).

(8) Move selector lever to position "P".

(9) Remove the SLA (2) from the vehicle.



810b9197

Fig. 225 Remove SLA

- 1 - BOLT
- 2 - SLA
- 3 - SHIFT CABLE

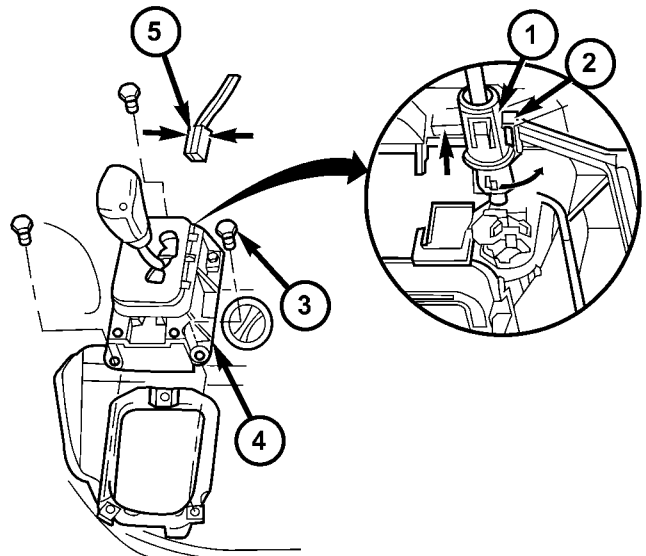
INSTALLATION

(1) Position the shift lever assembly (SLA) onto the vehicle.

(2) Install the bolts to hold the SLA to the vehicle. Tighten the bolts to 6 N·m (53 in.lbs.).

(3) Connect the park lock cable coupling (1) (Fig. 226) to the SLA. Press locking tab (2) together and push coupling (1) against the spring force into the SLA, twist through 90° (right or left) until locked.

(4) Connect the connector plug (5) to the SLA.



810b8c12

Fig. 226 Engage Park Lock Cable to SLA

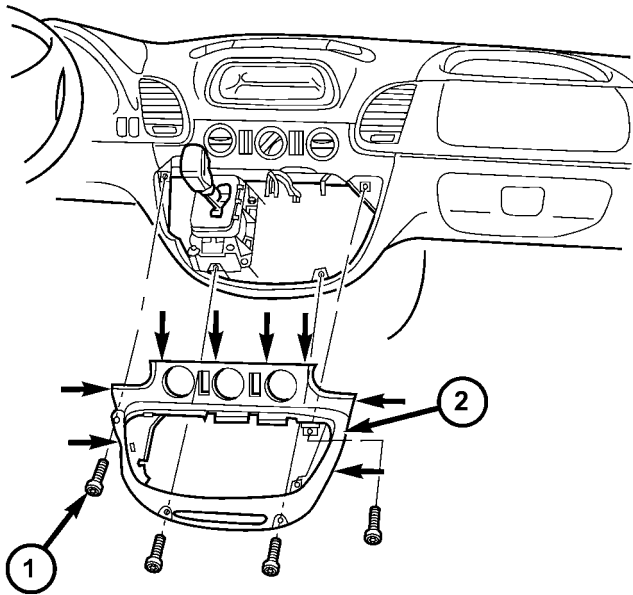
- 1 - PARK LOCK CABLE COUPLING
- 2 - LOCK TAB
- 3 - BOLT
- 4 - SHIFT LEVER ASSEMBLY (SLA)
- 5 - CONNECTOR

(5) Turn on ignition and apply brakes. Move selector lever back to position "D".

(6) Install the transmission shift cable onto the ball knob at the SLA.

(7) Install the bottom (2) (Fig. 227) of the center section of instrument panel.

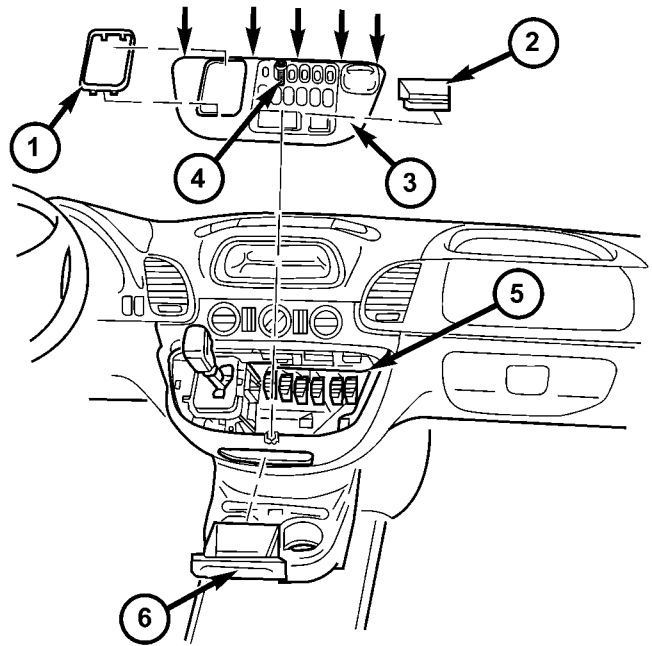
(8) Install the top (3) (Fig. 228) of the center section of instrument panel.



810b8e79

Fig. 227 Install Bottom Section Of Center Instrument Panel

- 1 - SCREW
- 2 - BOTTOM CENTER PART OF INSTRUMENT PANEL



810b8e75

Fig. 228 Install Top Section Of Center Instrument Panel

- 1 - SHIFT LEVER ASSEMBLY FRAME TRIM
- 2 - STORAGE COMPARTMENT
- 3 - TOP CENTER PART OF INSTRUMENT PANEL
- 4 - SCREW
- 5 - PLUG CONNECTIONS
- 6 - ASHTRAY

(9) Verify repair.

SOLENOID

DESCRIPTION

The typical electrical solenoid used in automotive applications is a linear actuator. It is a device that produces motion in a straight line. This straight line motion can be either forward or backward in direction, and short or long distance.

A solenoid is an electromechanical device that uses a magnetic force to perform work. It consists of a coil of wire, wrapped around a magnetic core made from steel or iron, and a spring loaded, movable plunger, which performs the work, or straight line motion.

The solenoids used in transmission applications are attached to valves which can be classified as **normally open** or **normally closed**. The **normally open** solenoid valve is defined as a valve which allows hydraulic flow when no current or voltage is applied to the solenoid. The **normally closed** solenoid valve is defined as a valve which does not allow hydraulic flow when no current or voltage is applied to the solenoid. These valves perform hydraulic control functions for the transmission and must therefore be durable and tolerant of dirt particles. For these reasons, the valves have hardened steel poppets and ball valves. The solenoids operate the valves

directly, which means that the solenoids must have very high outputs to close the valves against the sizable flow areas and line pressures found in current transmissions. Fast response time is also necessary to ensure accurate control of the transmission.

The strength of the magnetic field is the primary force that determines the speed of operation in a particular solenoid design. A stronger magnetic field will cause the plunger to move at a greater speed than a weaker one. There are basically two ways to increase the force of the magnetic field:

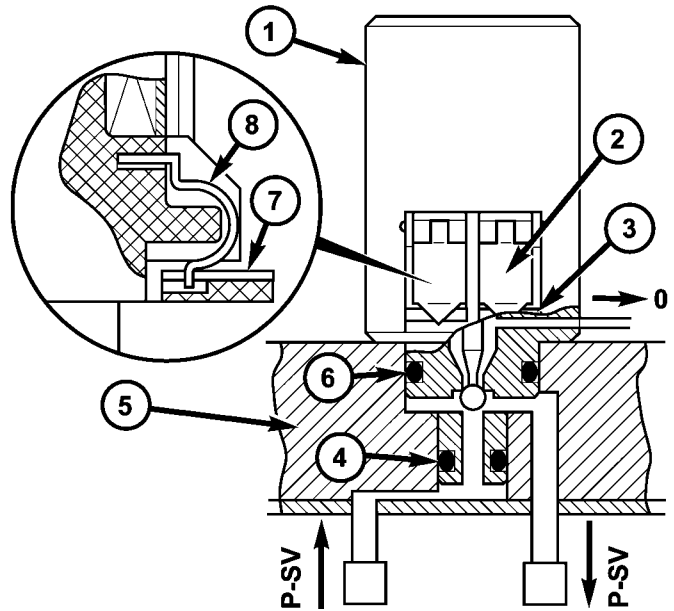
1. Increase the amount of current applied to the coil or

2. Increase the number of turns of wire in the coil.

The most common practice is to increase the number of turns by using thin wire that can completely fill the available space within the solenoid housing. The strength of the spring and the length of the plunger also contribute to the response speed possible by a particular solenoid design.

A solenoid can also be described by the method by which it is controlled. Some of the possibilities include variable force, pulse-width modulated, constant ON, or duty cycle. The variable force and pulse-width modulated versions utilize similar methods to control the current flow through the solenoid to position the solenoid plunger at a desired position somewhere between full ON and full OFF. The constant ON and duty cycled versions control the voltage across the solenoid to allow either full flow or no flow through the solenoid's valve.

UPSHIFT / DOWNSHIFT SOLENOID VALVES



80e399e6

Fig. 229 Upshift/Downshift Solenoid Valves

- 1 - UPSHIFT/DOWNSHIFT SOLENOID VALVE
- 2 - CONTACT SPRING
- 3 - CONDUCTOR TRACK
- 4 - O-RING
- 5 - VALVE HOUSING OF SHIFT PLATE
- 6 - O-RING
- 7 - CONDUCTOR TRACK
- 8 - CONTACT SPRING

The solenoid valves (1) for upshifts and downshifts (Fig. 229) are located in the shell of the electric control unit and pressed against the shift plate with a spring.

The solenoid valves (1) initiate the upshift and downshift procedures in the shift plate.

The solenoid valves (1) are sealed off from the valve housing of the shift plate (5) by two O-rings (4, 6). The contact springs (8) at the solenoid valve engage in a slot in the conductor tracks (7). The force of the contact spring (8) ensures safe contacts.

MODULATING PRESSURE CONTROL SOLENOID VALVE

TORQUE CONVERTER LOCKUP CLUTCH PWM SOLENOID VALVE

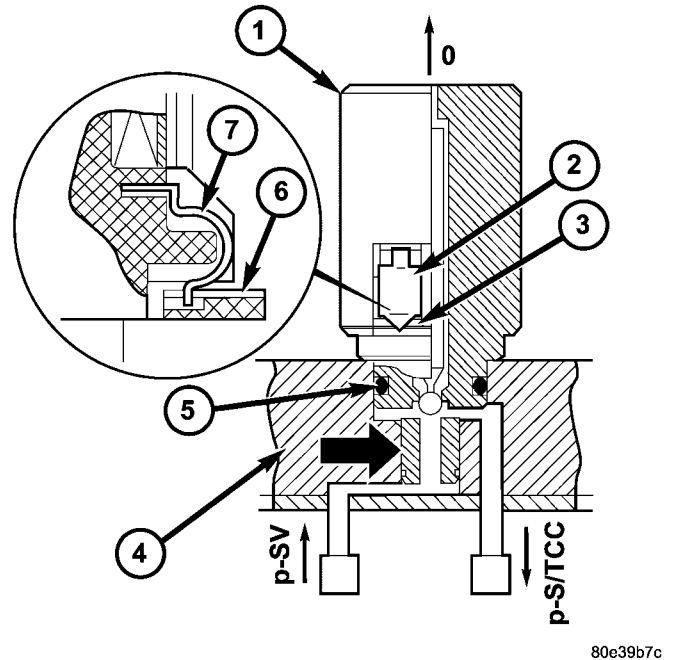
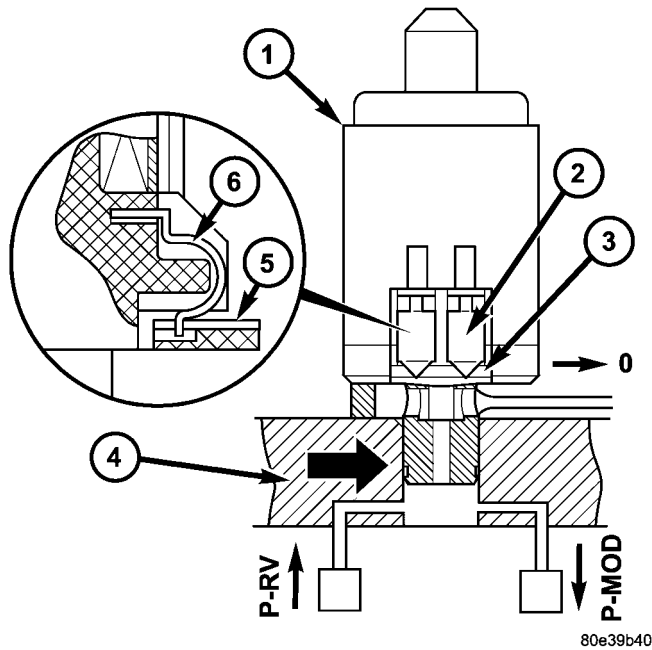


Fig. 230 Modulating Pressure Control Solenoid Valve

Fig. 231 Torque Converter Lockup Clutch PWM Solenoid Valve

- 1 - MODULATING PRESSURE CONTROL SOLENOID VALVE
- 2 - CONTACT SPRING
- 3 - CONDUCTOR TRACK
- 4 - VALVE HOUSING SHIFT PLATE
- 5 - CONDUCTOR TRACK
- 6 - CONTACT SPRING

- 1 - TORQUE CONVERTER LOCKUP CLUTCH PWM SOLENOID VALVE
- 2 - CONTACT SPRING
- 3 - CONDUCTOR TRACK
- 4 - VALVE HOUSING OF SHIFT PLATE
- 5 - O-RING
- 6 - CONDUCTOR TRACK
- 7 - CONTACT SPRING

The modulating pressure control solenoid valve (1) (Fig. 230) is located in the shell of the electric valve control unit and pressed against the shift plate by a spring.

Its purpose is control the modulating pressure depending on the continuously changing operating conditions, such as load and gear change.

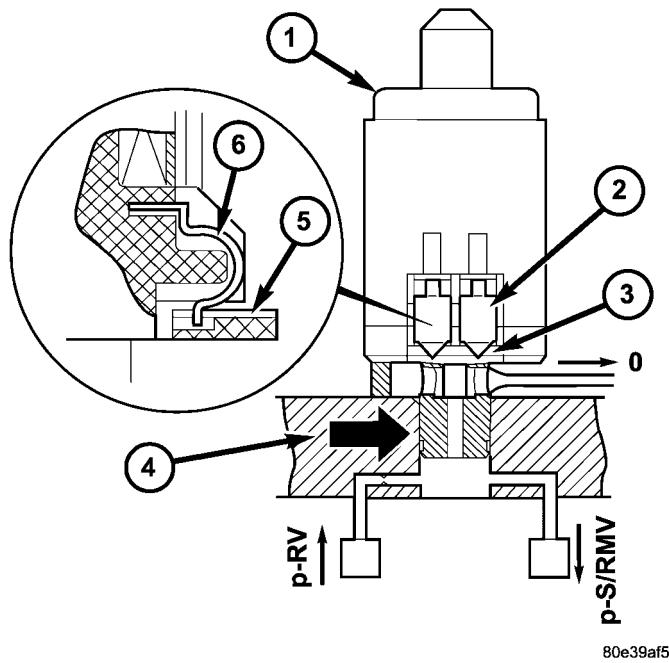
The modulating pressure regulating solenoid valve (1) has an interference fit and is sealed off to the valve body of the shift plate (4) by a seal (arrow). The contact springs (2) at the solenoid valve engage in a slot in the conductor tracks (3). The force of the contact springs (2) ensures secure contacts.

The torque converter lockup clutch PWM solenoid valve (1) (Fig. 231) is located in the shell of the electric valve control unit and pressed against the shift plate by a spring.

The PWM solenoid valve (1) for the torque converter lockup controls the pressure for the torque converter lockup clutch.

The torque converter lockup PWM solenoid valve (1) is sealed off to the valve body of the shift plate (4) by an O-ring (5) and a seal (arrow). The contact springs (2) at the solenoid valve engage in a slot in the conductor tracks (3). The force of the contact springs (2) ensures secure contacts.

SHIFT PRESSURE CONTROL SOLENOID VALVE



80e39af5

Fig. 232 Shift Pressure Control Solenoid Valve

- 1 - SHIFT PRESSURE CONTROL SOLENOID VALVE
- 2 - CONTACT SPRING
- 3 - CONDUCTOR TRACK
- 4 - VALVE HOUSING SHIFT PLATE
- 5 - CONDUCTOR TRACK
- 6 - CONTACT SPRING

The shift pressure control solenoid valve (1) (Fig. 232) is located in the shell of the electric valve control unit and pressed against the shift plate by a spring.

Its purpose is to control the shift pressure depending on the continuously changing operating conditions, such as load and gear change.

The shift pressure regulating solenoid valve (1) has an interference fit and is sealed off to the valve body of the shift plate (4) by a seal (arrow). The contact springs (2) at the solenoid valve engage in a slot in the conductor tracks (3). The force of the contact springs (2) ensures secure contacts.

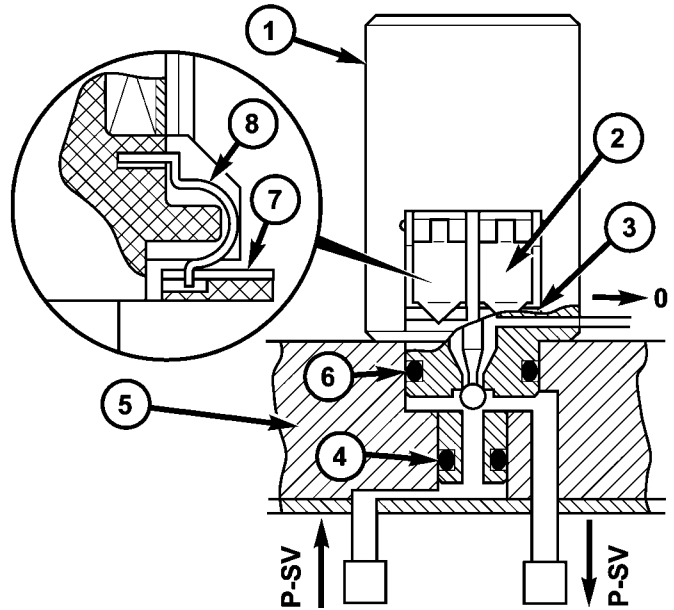
OPERATION

When an electrical current is applied to the solenoid coil, a magnetic field is created which produces an attraction to the plunger, causing the plunger to move and work against the spring pressure and the load applied by the fluid the valve is controlling. The plunger is normally directly attached to the valve which it is to operate. When the current is removed from the coil, the attraction is removed and the plunger will return to its original position due to spring pressure.

The plunger is made of a conductive material and accomplishes this movement by providing a path for

the magnetic field to flow. By keeping the air gap between the plunger and the coil to the minimum necessary to allow free movement of the plunger, the magnetic field is maximized.

UPSHIFT / DOWNSHIFT SOLENOID VALVES



80e399e6

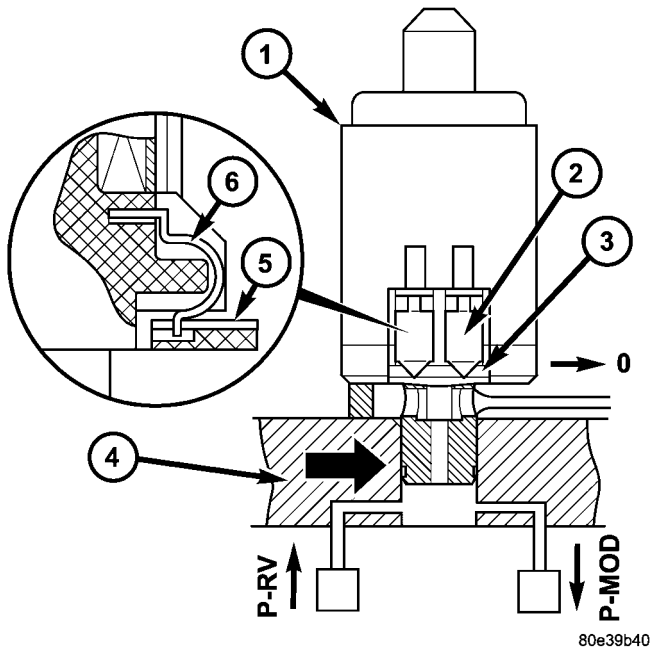
Fig. 233 Upshift/Downshift Solenoid Valves

- 1 - UPSHIFT/DOWNSHIFT SOLENOID VALVE
- 2 - CONTACT SPRING
- 3 - CONDUCTOR TRACK
- 4 - O-RING
- 5 - VALVE HOUSING OF SHIFT PLATE
- 6 - O-RING
- 7 - CONDUCTOR TRACK
- 8 - CONTACT SPRING

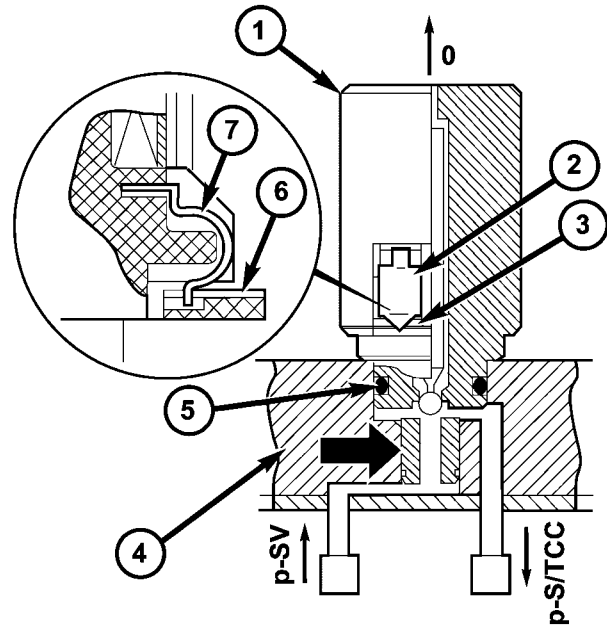
If a solenoid valve (1) (Fig. 233) is actuated by the TCM, it opens and guides the control pressure (p-SV) to the assigned command valve. The solenoid valve remains actuated and therefore open until the shifting process is complete. The shift pressure (p-SV) to the command valve is reduced to zero as soon as the power supply to the solenoid valve is interrupted.

MODULATING PRESSURE CONTROL SOLENOID VALVE

TORQUE CONVERTER LOCKUP CLUTCH PWM SOLENOID VALVE



80e39b40



80e39b7c

Fig. 234 Modulating Pressure Control Solenoid Valve

Fig. 235 Torque Converter Lockup Clutch PWM Solenoid Valve

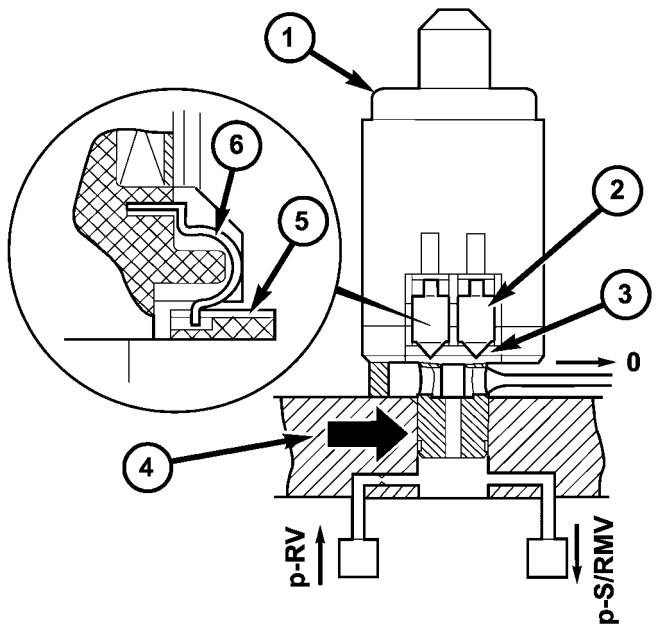
- 1 - MODULATING PRESSURE CONTROL SOLENOID VALVE
- 2 - CONTACT SPRING
- 3 - CONDUCTOR TRACK
- 4 - VALVE HOUSING SHIFT PLATE
- 5 - CONDUCTOR TRACK
- 6 - CONTACT SPRING

- 1 - TORQUE CONVERTER LOCKUP CLUTCH PWM SOLENOID VALVE
- 2 - CONTACT SPRING
- 3 - CONDUCTOR TRACK
- 4 - VALVE HOUSING OF SHIFT PLATE
- 5 - O-RING
- 6 - CONDUCTOR TRACK
- 7 - CONTACT SPRING

The modulating pressure regulating solenoid valve (1) (Fig. 234) assigns a proportional pressure to the current which is controlled by the TCM according to the load.

The torque converter lockup PWM solenoid (1) (Fig. 235) valve converts pulse-wave-modulated current controlled by the TCM into the appropriate hydraulic control pressure (p-S/TCC).

SHIFT PRESSURE CONTROL SOLENOID VALVE



80e39af5

Fig. 236 Shift Pressure Control Solenoid Valve

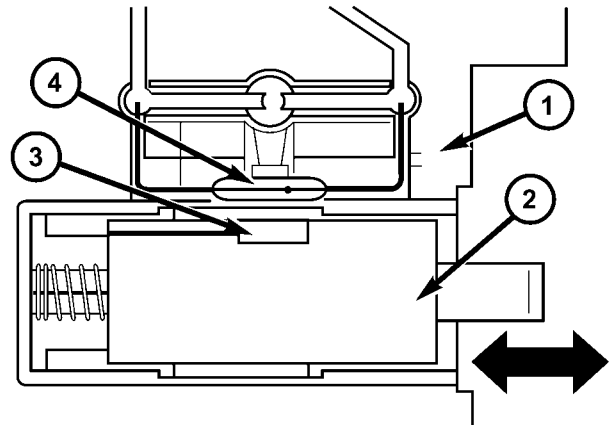
- 1 - SHIFT PRESSURE CONTROL SOLENOID VALVE
- 2 - CONTACT SPRING
- 3 - CONDUCTOR TRACK
- 4 - VALVE HOUSING SHIFT PLATE
- 5 - CONDUCTOR TRACK
- 6 - CONTACT SPRING

The shift pressure regulating solenoid valve (1) (Fig. 236) assigns a proportional pressure to the current which is controlled by the TCM according to the load.

TEMPERATURE SENSOR / PARK - NEUTRAL CONTACT

DESCRIPTION

PARK / NEUTRAL CONTACT



80e3a4a8

Fig. 237 Park/Neutral Contact

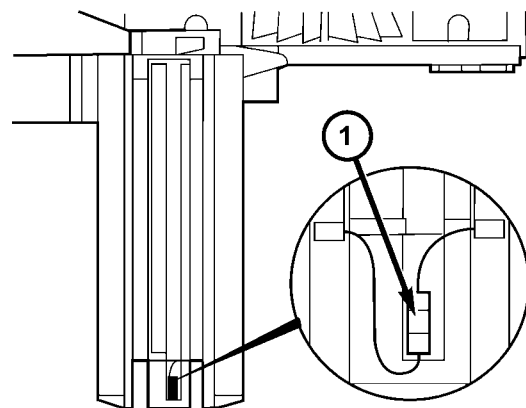
- 1 - SHELL OF ELECTRIC CONTROL MODULE
- 2 - PLUNGER
- 3 - PERMANENT MAGNET
- 4 - DRY-REED CONTACT

The park/neutral contact (4) (Fig. 237) is located in the shell of the electric control unit and is fixed to the conductor tracks.

Its purpose is to recognize selector valve and selector lever positions "P" and "N". The park/neutral contact consists of:

- the plunger (2).
- the permanent magnet (3).
- the dry-reed contact (4).

TRANSMISSION TEMPERATURE SENSOR



80e3a4be

Fig. 238 Transmission Temperature Sensor

- 1 - TRANSMISSION TEMPERATURE SENSOR

The transmission oil temperature sensor (1) (Fig. 238) is located in the shell of the electric valve control unit and is fixed to the conductor tracks.

Its purpose is to measure the temperature of the transmission oil and pass the temperature to the TCM as an input signal. It is a temperature-dependent resistor (PTC).

OPERATION

PARK / NEUTRAL CONTACT

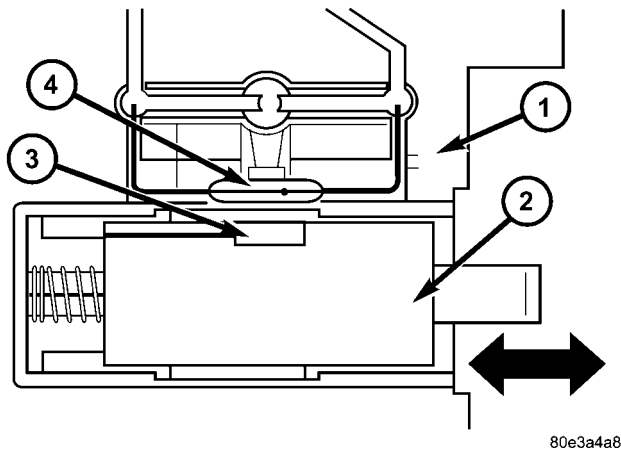


Fig. 239 Park/Neutral Contact

- 1 - SHELL OF ELECTRIC CONTROL MODULE
- 2 - PLUNGER
- 3 - PERMANENT MAGNET
- 4 - DRY-REED CONTACT

In selector lever positions "P" and "N" the park/neutral contact (4) (Fig. 239) is actuated by a cam track which is located on the detent plate. The permanent magnet (3) is moved away from the dry-reed contact (4). The dry-reed contact (4) is opened. The TCM receives an electric signal. The circuit to the starter in the selector lever positions "P" and "N" is closed.

TRANSMISSION TEMPERATURE SENSOR

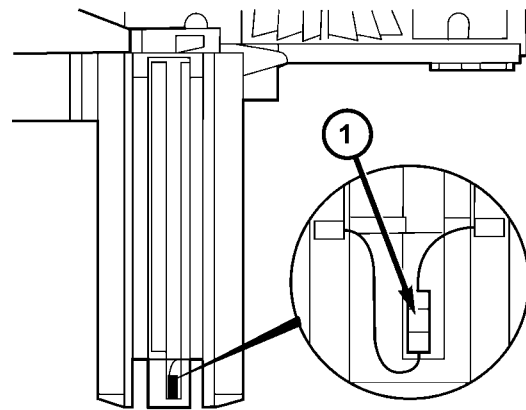


Fig. 240 Transmission Temperature Sensor

- 1 - TRANSMISSION TEMPERATURE SENSOR

The temperature of the transmission oil has a considerable effect on the shifting time and therefore the shift quality. By measuring the oil temperature, shift operations can be optimized in all temperature ranges. The transmission oil temperature sensor (1) (Fig. 240) is switched in series with the park/neutral contact. The temperature signal is transferred to the TCM only when the dry-reed contact of the park/neutral contact is closed in REVERSE or a forward gear position.

**TRANSMISSION TEMP SENSOR SPECIFICATIONS
TEMPERATURE/VOLTAGE/RESISTANCE CHART**

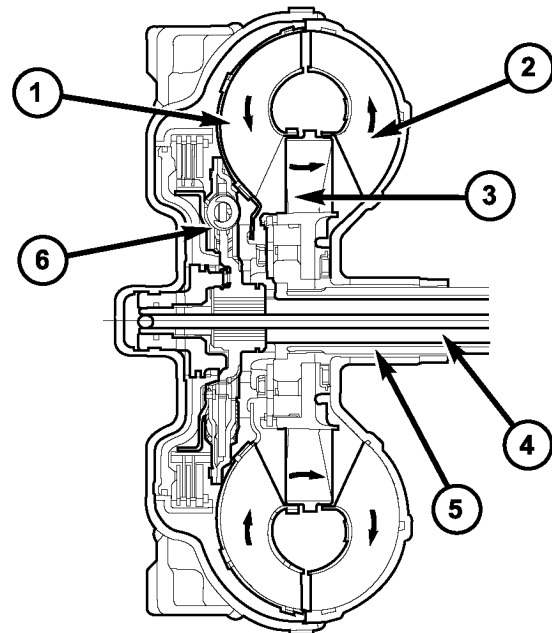
TEMPERATURE (C)	TEMPERATURE (F)	VOLTAGE	RESISTANCE
-50	-58	0.73	506.0
-45	-49	0.77	534.0
-40	-40	0.80	564.0
-35	-31	0.84	593.0
-30	-22	0.88	624.0
-25	-13	0.91	654.0
-20	-4	0.95	686.0
-15	5	0.98	718.0
-10	14	1.02	750.0
-5	23	1.05	783.0
0	32	1.09	817.0
5	41	1.12	851.0
10	50	1.16	886.0
15	59	1.19	921.0
20	68	1.23	957.0
25	77	1.26	994.0
30	86	1.30	1032.0
35	95	1.33	1070.0
40	104	1.37	1109.0
45	113	1.40	1149.0
50	122	1.44	1189.0
55	131	1.48	1231.0
60	140	1.51	1273.0
65	149	1.55	1316.0
70	158	1.58	1360.0
75	167	1.62	1405.0
80	176	1.65	1450.0
85	185	1.69	1497.0
90	194	1.72	1545.0
95	203	1.76	1594.0
100	212	1.79	1644.0
105	221	1.83	1695.0
110	230	1.86	1747.0
115	239	1.90	1800.0
120	248	1.93	1855.0
125	257	1.97	1911.0
130	266	2.00	1968.0
135	275	2.04	2027.0
140	284	2.08	2087.0
145	293	2.11	2148.0
150	302	2.15	2211.0
155	311	2.18	2276.0
160	320	2.22	2342.0
165	329	2.25	2410.0
170	338	2.29	2479.0
175	347	2.32	2551.0

80e3afbe

Fig. 241 Transmission Temperature Sensor Specifications

Refer to the Transmission Temperature Sensor Specifications table (Fig. 241) for the relationship between transmission temperature, sensor voltage, and sensor resistance.

**TORQUE CONVERTER
DESCRIPTION**



80e2dcc3

Fig. 242 Torque Converter

- 1 - TURBINE
- 2 - IMPELLER
- 3 - STATOR
- 4 - INPUT SHAFT
- 5 - STATOR SHAFT
- 6 - TURBINE DAMPER

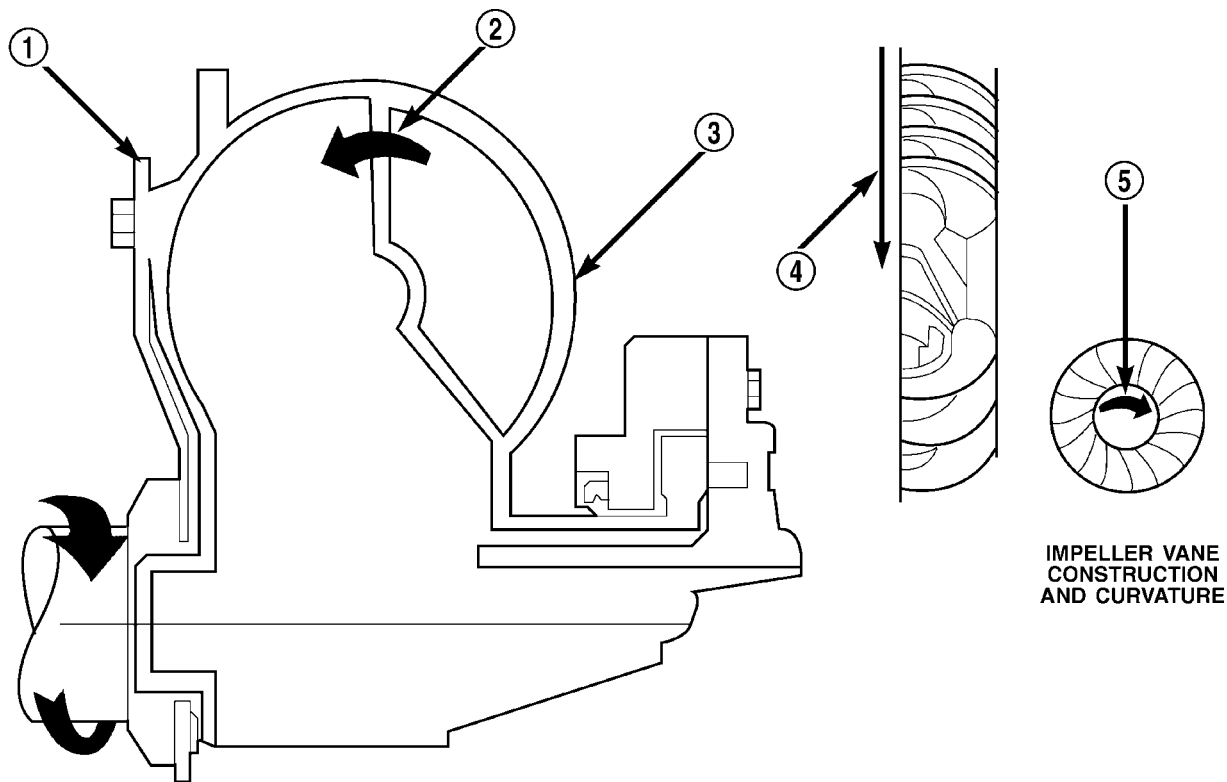
CAUTION: The torque converter must be replaced if a transmission failure resulted in large amounts of metal or fiber contamination in the fluid.

The torque converter (Fig. 242) is a hydraulic device that couples the engine crankshaft to the transmission. The torque converter consists of an outer shell with an internal turbine (1), a stator (3), an overrunning clutch, an impeller (2), and an electronically applied converter clutch. The converter clutch provides reduced engine speed and greater fuel economy when engaged. Clutch engagement also provides reduced transmission fluid temperatures. The converter clutch engages in third through fifth gears. The torque converter hub drives the transmission oil (fluid) pump.

A turbine damper (6) has been added for some applications to help improve vehicle noise, vibration, and harshness (NVH) characteristics.

The torque converter is a sealed, welded unit that is not repairable and is serviced as an assembly.

IMPELLER



IMPELLER VANE
CONSTRUCTION
AND CURVATURE

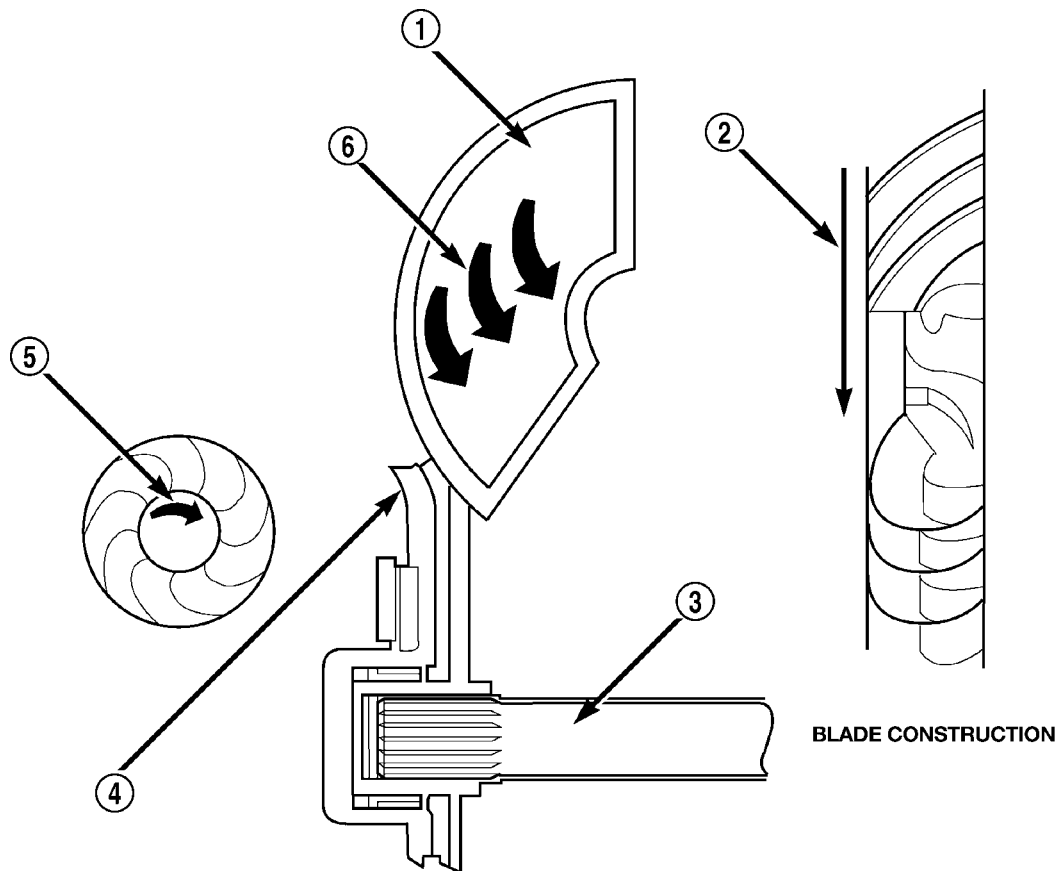
Fig. 243 Impeller

80bfe26a

- | | |
|---|---------------------|
| 1 - ENGINE FLEXPLATE | 4 - ENGINE ROTATION |
| 2 - OIL FLOW FROM IMPELLER SECTION INTO TURBINE SECTION | 5 - ENGINE ROTATION |
| 3 - IMPELLER VANES AND COVER ARE INTEGRAL | |

The impeller (3) (Fig. 243) is an integral part of the converter housing. The impeller consists of curved blades placed radially along the inside of the housing on the transmission side of the converter. As the converter housing is rotated by the engine, so is the impeller, because they are one and the same and are the driving members of the system.

TURBINE



80bfe26b

Fig. 244 Turbine

- 1 - TURBINE VANE
- 2 - ENGINE ROTATION
- 3 - INPUT SHAFT

- 4 - PORTION OF TORQUE CONVERTER COVER
- 5 - ENGINE ROTATION
- 6 - OIL FLOW WITHIN TURBINE SECTION

The turbine (1) (Fig. 244) is the output, or driven, member of the converter. The turbine is mounted within the housing opposite the impeller, but is not attached to the housing. The input shaft is inserted through the center of the impeller and splined into the turbine. The design of the turbine is similar to the impeller, except the blades of the turbine are curved in the opposite direction.

STATOR

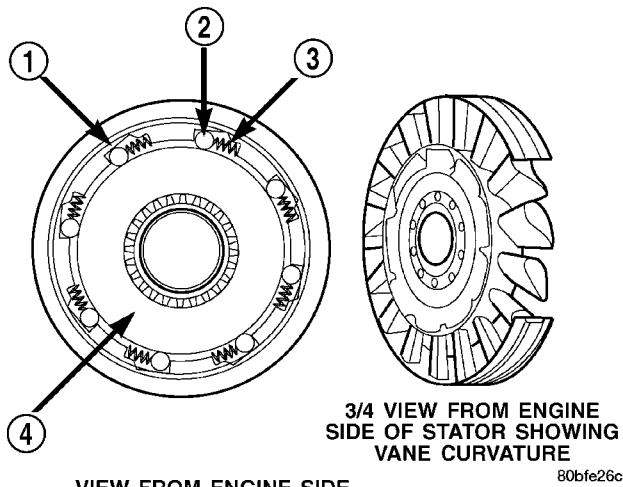


Fig. 245 Stator Components

- 1 - CAM (OUTER RACE)
- 2 - ROLLER
- 3 - SPRING
- 4 - INNER RACE

The stator assembly (1-4) (Fig. 245) is mounted on a stationary shaft which is an integral part of the oil pump.

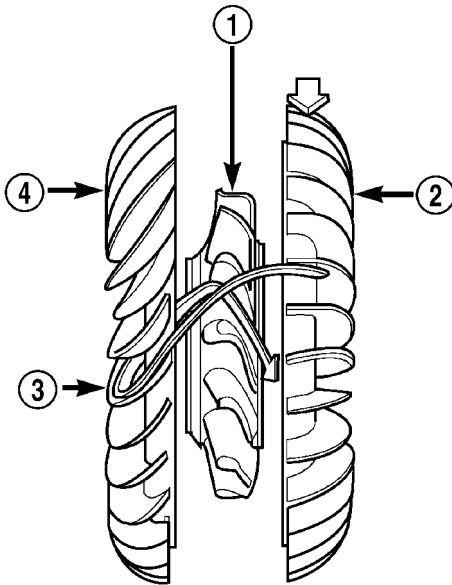


Fig. 246 Stator Location

- 1 - STATOR
- 2 - IMPELLER
- 3 - FLUID FLOW
- 4 - TURBINE

The stator (1) is located between the impeller (2) and turbine (4) within the torque converter case (Fig. 246). The stator contains a freewheeling clutch, which allows the stator to rotate only in a clockwise direction. When the stator is locked against the free-

wheeling clutch, the torque multiplication feature of the torque converter is operational.

TORQUE CONVERTER CLUTCH (TCC)

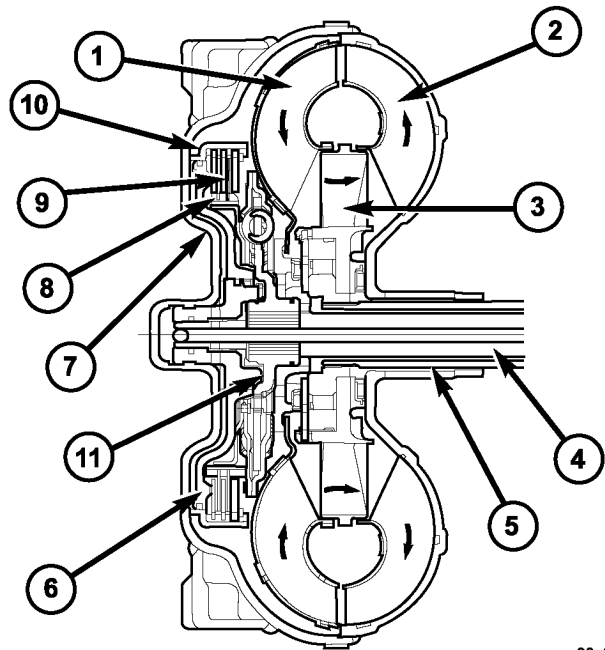


Fig. 247 Torque Converter Lock-up Clutch

- 1 - TURBINE
- 2 - IMPELLER
- 3 - STATOR
- 4 - INPUT SHAFT
- 5 - STATOR SHAFT
- 6 - PISTON
- 7 - COVER SHELL
- 8 - INTERNALLY TOOTHED DISC CARRIER
- 9 - CLUTCH PLATE SET
- 10 - EXTERNALLY TOOTHED DISC CARRIER
- 11 - TURBINE DAMPER

The TCC (9) (Fig. 247) was installed to improve the efficiency of the torque converter that is lost to the slippage of the fluid coupling. Although the fluid coupling provides smooth, shock-free power transfer, it is natural for all fluid couplings to slip. If the impeller and turbine were mechanically locked together, a zero slippage condition could be obtained. A hydraulic piston with friction material was added to the turbine assembly to provide this mechanical lock-up.

In order to reduce heat build-up in the transmission and buffer the powertrain against torsional vibrations, the TCM can duty cycle the torque converter lock-up solenoid to achieve a smooth application of the torque converter clutch. This function, referred to as Electronically Modulated Converter Clutch (EMCC) can occur at various times depending on the following variables:

- Shift lever position
- Current gear range

- Transmission fluid temperature
- Engine coolant temperature
- Input speed
- Throttle angle
- Engine speed

OPERATION

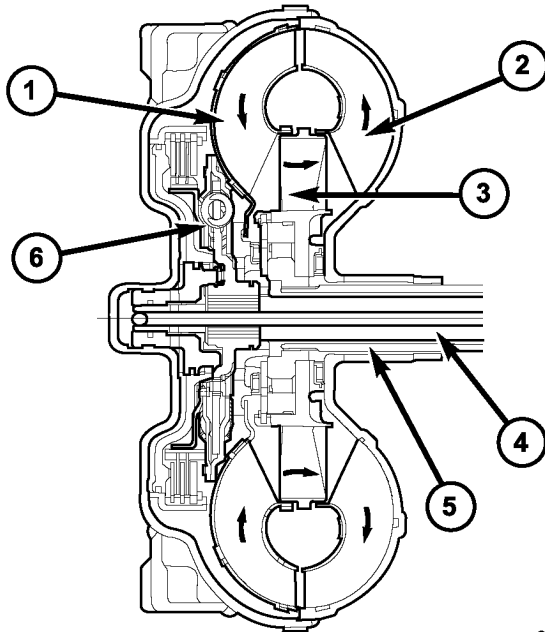


Fig. 248 Torque Converter

- 1 - TURBINE
- 2 - IMPELLER
- 3 - STATOR
- 4 - INPUT SHAFT
- 5 - STATOR SHAFT
- 6 - TURBINE DAMPER

The converter impeller (driving member) (2) (Fig. 248), which is integral to the converter housing and bolted to the engine drive plate, rotates at engine speed. The converter turbine (driven member) (1), which reacts from fluid pressure generated by the impeller, rotates and turns the transmission input shaft (4).

TURBINE

As the fluid that was put into motion by the impeller blades strikes the blades of the turbine, some of the energy and rotational force is transferred into the turbine and the input shaft. This causes both of them (turbine and input shaft) to rotate in a clockwise direction following the impeller. As the fluid is leaving the trailing edges of the turbine's blades it continues in a "hindering" direction back toward the impeller. If the fluid is not redirected before it strikes the impeller, it will strike the impeller in such a direction that it would tend to slow it down.

STATOR

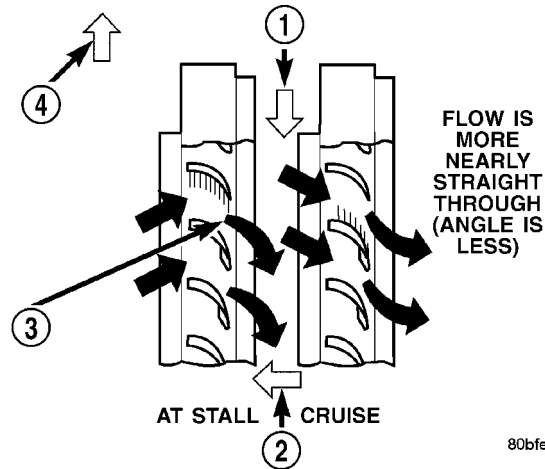
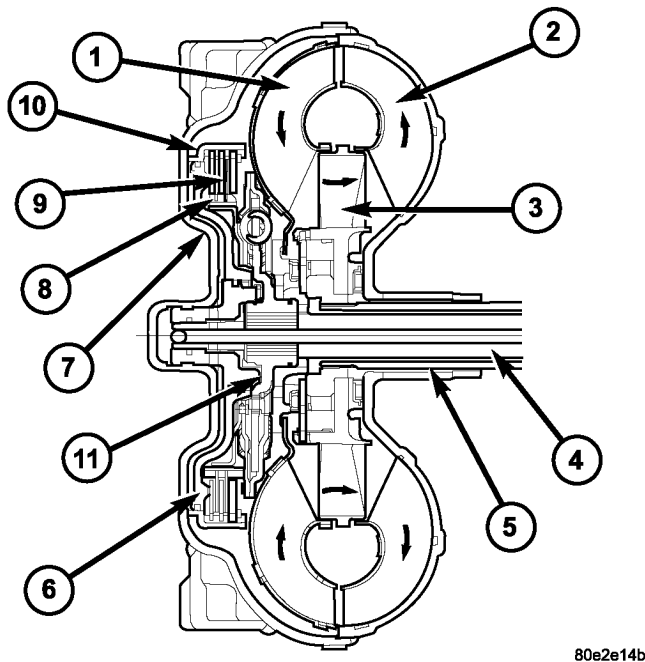


Fig. 249 Stator Operation

- 1 - DIRECTION STATOR WILL FREE WHEEL DUE TO OIL PUSHING ON BACKSIDE OF VANES
- 2 - FRONT OF ENGINE
- 3 - INCREASED ANGLE AS OIL STRIKES VANES
- 4 - DIRECTION STATOR IS LOCKED UP DUE TO OIL PUSHING AGAINST STATOR VANES

Torque multiplication is achieved by locking the stator's over-running clutch to its shaft. (Fig. 249) Under stall conditions (the turbine is stationary), the oil leaving the turbine blades strikes the face of the stator blades and tries to rotate them in a counter-clockwise direction. When this happens the over-running clutch of the stator locks and holds the stator from rotating. With the stator locked, the oil strikes the stator blades and is redirected into a "helping" direction before it enters the impeller. This circulation of oil from impeller to turbine, turbine to stator, and stator to impeller, can produce a maximum torque multiplication of about 2.0:1. As the turbine begins to match the speed of the impeller, the fluid that was hitting the stator in such a way as to cause it to lock-up is no longer doing so. In this condition of operation, the stator begins to free wheel and the converter acts as a fluid coupling.

TORQUE CONVERTER CLUTCH (TCC)



80e2e14b

Fig. 250 Torque Converter Lock-up Clutch

- 1 - TURBINE
- 2 - IMPELLER
- 3 - STATOR
- 4 - INPUT SHAFT
- 5 - STATOR SHAFT
- 6 - PISTON
- 7 - COVER SHELL
- 8 - INTERNALLY TOOTHED DISC CARRIER
- 9 - CLUTCH PLATE SET
- 10 - EXTERNALLY TOOTHED DISC CARRIER
- 11 - TURBINE DAMPER

In a standard torque converter, the impeller (2) and turbine (1) are rotating at about the same speed and the stator (3) is freewheeling, providing no torque multiplication. By applying the turbine's piston and friction material (9) (Fig. 250), a total converter engagement can be obtained. The result of this engagement is a direct 1:1 mechanical link between the engine and the transmission.

The clutch can be engaged in second, third, fourth, and fifth gear ranges.

The TCM controls the torque converter by way of internal logic software. The programming of the software provides the TCM with control over the torque converter solenoid. There are four output logic states that can be applied as follows:

- No EMCC
- Partial EMCC
- Full EMCC
- Gradual-to-no EMCC

NO EMCC

Under No EMCC conditions, the TCC Solenoid is OFF. There are several conditions that can result in

NO EMCC operations. No EMCC can be initiated due to a fault in the transmission or because the TCM does not see the need for EMCC under current driving conditions.

PARTIAL EMCC

Partial EMCC operation modulates the TCC Solenoid (duty cycle) to obtain partial torque converter clutch application. Partial EMCC operation is maintained until Full EMCC is called for and actuated. During Partial EMCC some slip does occur. Partial EMCC will usually occur at low speeds, low load and light throttle situations.

FULL EMCC

During Full EMCC operation, the TCM increases the TCC Solenoid duty cycle to full ON after Partial EMCC control brings the engine speed within the desired slip range of transmission input speed relative to engine rpm.

GRADUAL - TO - NO EMCC

This operation is to soften the change from Full or Partial EMCC to No EMCC. This is done at mid-throttle by decreasing the TCC Solenoid duty cycle.

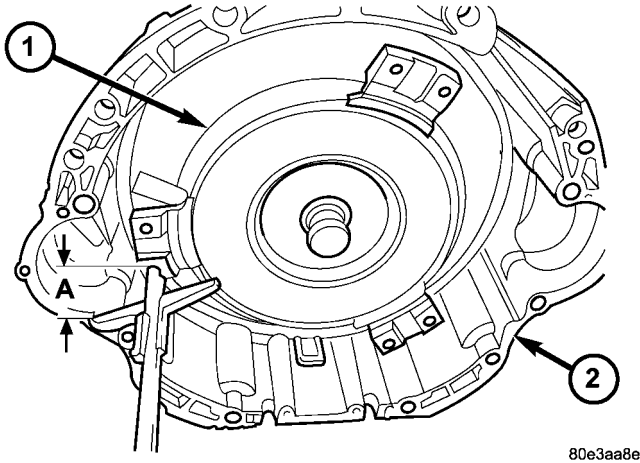
REMOVAL

- (1) Remove transmission and torque converter from vehicle.
- (2) Place a suitable drain pan under the converter housing end of the transmission.

CAUTION: Verify that transmission is secure on the lifting device or work surface, the center of gravity of the transmission will shift when the torque converter is removed creating an unstable condition. The torque converter is a heavy unit. Use caution when separating the torque converter from the transmission.

- (3) Pull the torque converter forward until the center hub clears the oil pump seal.
- (4) Separate the torque converter from the transmission.

INSTALLATION



80e3aa8e

Fig. 251 Torque Converter Installation Depth

- 1 - TORQUE CONVERTER
- 2 - TRANSMISSION HOUSING

Check converter hub and drive flats for sharp edges, burrs, scratches, or nicks. Polish the hub and flats with 320/400 grit paper or crocus cloth if necessary. The hub must be smooth to avoid damaging the pump seal at installation.

- (1) Lubricate oil pump seal lip with transmission fluid.
- (2) Place torque converter in position on transmission.

CAUTION: Do not damage oil pump seal or converter hub while inserting torque converter into the front of the transmission.

- (3) Align torque converter to oil pump seal opening.
- (4) Insert torque converter hub into oil pump.
- (5) While pushing torque converter inward, rotate converter until converter is fully seated in the oil pump gears.
- (6) Check converter seating with a scale and straightedge (Fig. 251). Surface of converter lugs should be at least 19 mm (3/4 in.) to rear of straightedge when converter is fully seated.
- (7) If necessary, temporarily secure converter with C-clamp attached to the converter housing.
- (8) Install the transmission in the vehicle.
- (9) Fill the transmission with the recommended fluid.

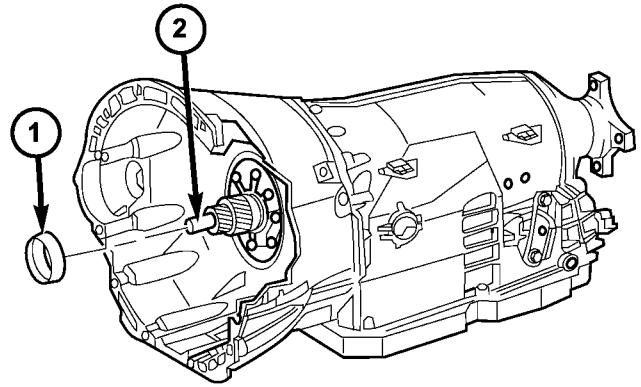
TORQUE CONVERTER HUB SEAL

REMOVAL

- (1) Remove the torque converter (Refer to 21 - TRANSMISSION/AUTOMATIC - NAG1/TORQUE CONVERTER - REMOVAL).

- (2) Remove the torque converter hub seal with suitable screw and slide hammer.

INSTALLATION

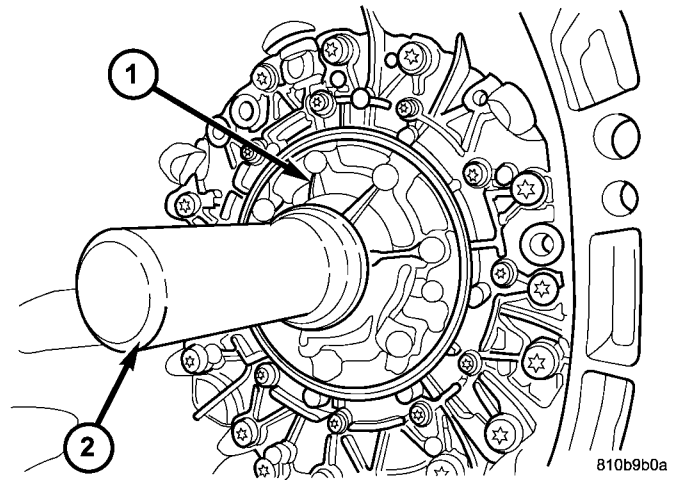


810b9af9

Fig. 252 Position Torque Converter Hub Seal

- 1 - TORQUE CONVERTER HUB SEAL
- 2 - INPUT SHAFT

- (1) Position the torque converter hub seal (1) (Fig. 252) over the input shaft and against the transmission oil pump.



810b9b0a

Fig. 253 Install Torque Converter Hub Seal

- 1 - OIL PUMP
- 2 - SEAL INSTALLER 8902A

- (2) Using Seal Installer 8902A (2) (Fig. 253), install a new torque converter hub seal.
- (3) Install the torque converter (Refer to 21 - TRANSMISSION/AUTOMATIC - NAG1/TORQUE CONVERTER - INSTALLATION).

TIRES / WHEELS

TABLE OF CONTENTS

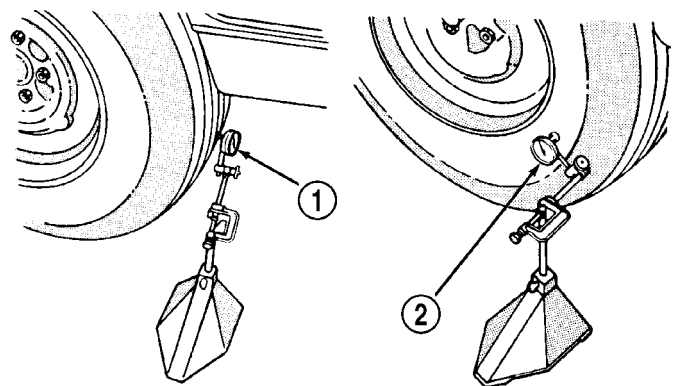
	page		page
TIRES/WHEELS		DIAGNOSIS AND TESTING - TIRE WEAR PATTERNS 9	
DIAGNOSIS AND TESTING - TIRE AND WHEEL RUNOUT 1		DIAGNOSIS AND TESTING - TIRE/VEHICLE LEAD 10	
STANDARD PROCEDURE		STANDARD PROCEDURE - REPAIRING LEAKS 12	
STANDARD PROCEDURE - MATCH MOUNTING 2		CLEANING 12	
STANDARD PROCEDURE - TIRE AND WHEEL BALANCE 4		SPECIFICATIONS	
STANDARD PROCEDURE - TIRE ROTATION 6		TIRES 12	
SPECIFICATIONS		SPARE TIRE CARRIER	
TORQUE CHART 7		REMOVAL 12	
TIRES		INSTALLATION 12	
DESCRIPTION		WHEELS	
DESCRIPTION - TIRES 7		DESCRIPTION 13	
DESCRIPTION - RADIAL – PLY TIRES 7		OPERATION 13	
DESCRIPTION - TIRE PRESSURE FOR HIGH SPEEDS 8		DIAGNOSIS AND TESTING	
DESCRIPTION - REPLACEMENT TIRES 8		WHEEL INSPECTION 13	
DESCRIPTION - TIRE INFLATION PRESSURES 8		STANDARD PROCEDURE	
DIAGNOSIS AND TESTING		STANDARD PROCEDURE - WHEEL REPLACEMENT 13	
DIAGNOSIS AND TESTING - PRESSURE GAUGES 9		STANDARD PROCEDURE - DUAL REAR WHEEL INSTALLATION 13	
DIAGNOSIS AND TESTING - TIRE NOISE OR VIBRATION 9		REMOVAL 14	
DIAGNOSIS AND TESTING - TREAD WEAR INDICATORS 9		INSTALLATION 15	

TIRES / WHEELS

DIAGNOSIS AND TESTING - TIRE AND WHEEL RUNOUT

Radial runout is the difference between the high and low points on the tire or wheel (Fig. 1).

Lateral runout is the **wobble** of the tire or wheel.



J9022-4

Fig. 1 Checking Tire/Wheel/Hub Runout

- 1 - RADIAL RUNOUT
- 2 - LATERAL RUNOUT

Radial runout of more than 1.5 mm (.060 inch) measured at the center line of the tread may cause the vehicle to shake.

Lateral runout of more than 2.0 mm (.080 inch) measured near the shoulder of the tire may cause the vehicle to shake.

Sometimes radial runout can be reduced. Relocate the wheel and tire assembly on the mounting studs (See Method 1). If this does not reduce runout to an acceptable level, the tire can be rotated on the wheel. (See Method 2).

METHOD 1 (RELOCATE WHEEL ON HUB)

(1) Drive vehicle a short distance to eliminate tire flat spotting from a parked position.

(2) Check wheel bearings and adjust if adjustable or replace if necessary.

(3) Check the wheel mounting surface.

(4) Relocate wheel on the mounting, two studs over from the original position.

(5) Tighten wheel nuts until all are properly torqued, to eliminate brake distortion.

(6) Check radial runout. If still excessive, mark tire sidewall, wheel, and stud at point of maximum runout and proceed to Method 2.

METHOD 2 (RELOCATE TIRE ON WHEEL)

NOTE: Rotating the tire on wheel is particularly effective when there is runout in both tire and wheel.

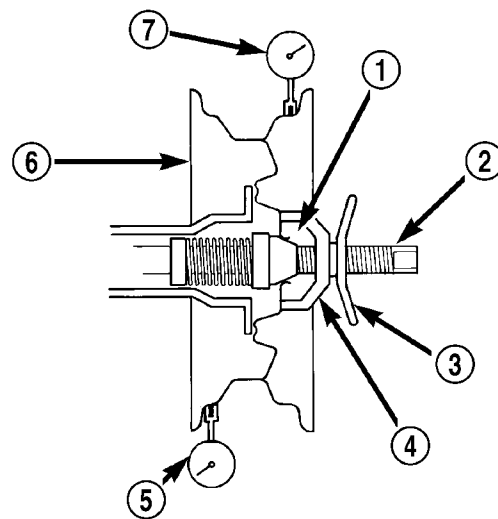
(1) Remove tire from wheel and mount wheel on service dynamic balance machine.

(2) Check wheel radial runout (Fig. 2) and lateral runout (Fig. 3).

- **STEEL WHEELS:** Radial runout 0.031 in., Lateral runout 0.031 in. (maximum)

- **ALUMINUM WHEELS:** Radial runout 0.020 in., Lateral runout 0.025 in. (maximum)

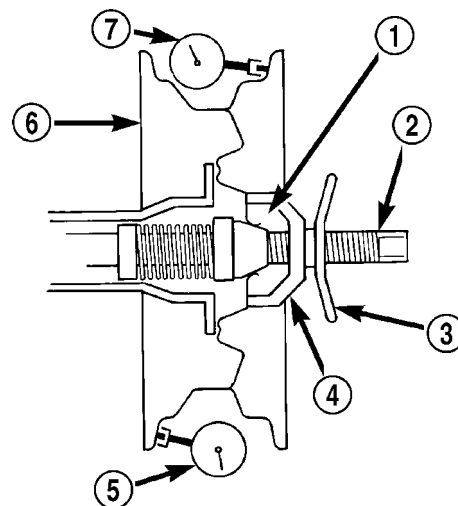
(3) If point of greatest wheel lateral runout is near original chalk mark, remount tire 180 degrees. Recheck runout, Refer to match mounting procedure.



80a611da

Fig. 2 Radial Runout

- 1 - MOUNTING CONE
- 2 - SPINDLE SHAFT
- 3 - WING NUT
- 4 - PLASTIC CUP
- 5 - DIAL INDICATOR
- 6 - WHEEL
- 7 - DIAL INDICATOR



80a611db

Fig. 3 Lateral Runout

- 1 - MOUNTING CONE
- 2 - SPINDLE SHAFT
- 3 - WING NUT
- 4 - PLASTIC CUP
- 5 - DIAL INDICATOR
- 6 - WHEEL
- 7 - DIAL INDICATOR

STANDARD PROCEDURE

STANDARD PROCEDURE - MATCH MOUNTING

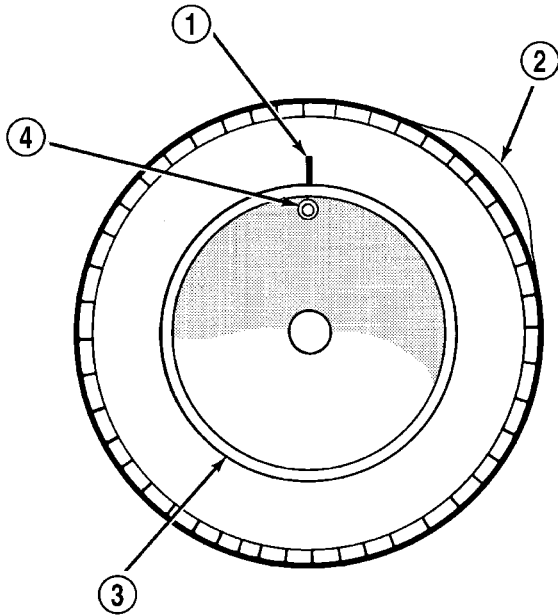
Wheels and tires are match mounted at the factory. This means that the high spot of the tire is matched to the low spot on the wheel rim. Each are marked with a bright colored temporary label on the out-board surface for alignment. The wheel is also

marked permanently on the inside of the rim in the tire well. This permanent mark may be a paint dot or line, a permanent label or a stamped impression such as an X. An optional location mark is a small spherical indentation on the vertical face of the out-board flange on some non styled base steel wheels. The tire must be removed to locate the permanent mark on the inside of the wheel.

Before dismounting a tire from its wheel, a reference mark should be placed on the tire at the valve stem location. This reference will ensure that it is remounted in the original position on the wheel.

(1) Remove the tire and wheel assembly from the vehicle and mount on a service dynamic balance machine.

(2) Measure the total runout on the center of the tire tread rib with a dial indicator. Record the indicator reading. Mark the tire to indicate the high spot. Place a mark on the tire at the valve stem location (Fig. 4).

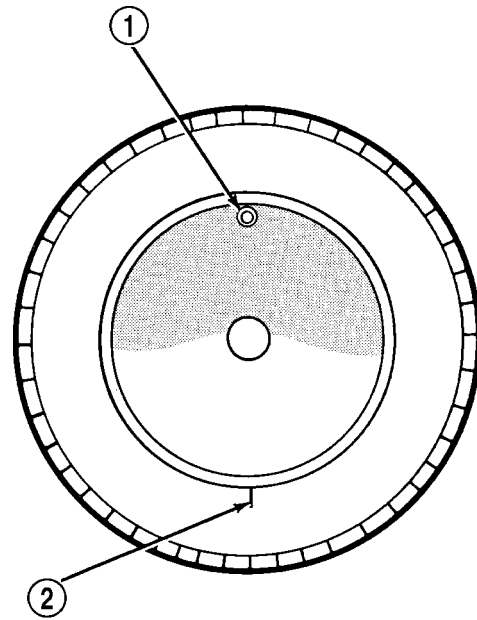


J9322-3

Fig. 4 First Measurement On Tire

- 1 - REFERENCE MARK
- 2 - 1ST MEASUREMENT HIGH SPOT MARK TIRE AND RIM
- 3 - WHEEL
- 4 - VALVE STEM

(3) Break down the tire and remount it 180 degrees on the rim (Fig. 5).



J9322-4

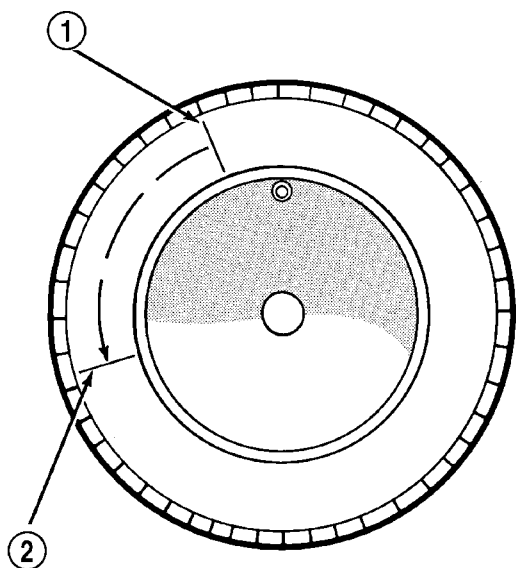
Fig. 5 Remount Tire 180 Degrees

- 1 - VALVE STEM
- 2 - REFERENCE MARK

(4) Measure the total indicator runout again. Mark the tire to indicate the high spot.

(5) If runout is still excessive, the following procedures must be done.

- If the high spot is within 101.6 mm (4.0 in.) of the first spot and is still excessive, replace the tire.
- If the high spot is within 101.6 mm (4.0 in.) of the first spot on the wheel, the wheel may be out of specifications. Refer to Wheel and Tire Runout.
- If the high spot is NOT within 101.6 mm (4.0 in.) of either high spot, draw an arrow on the tread from second high spot to first. Break down the tire and remount it 90 degrees on rim in that direction (Fig. 6). This procedure will normally reduce the runout to an acceptable amount, if not replace the rim.



J9322-5

Fig. 6 Remount Tire 90 Degrees In Direction of Arrow

1 - 2ND HIGH SPOT ON TIRE
2 - 1ST HIGH SPOT ON TIRE

STANDARD PROCEDURE - TIRE AND WHEEL BALANCE

It is recommended that a two plane service dynamic balancer be used when a tire and wheel assembly require balancing. Refer to balancer operation instructions for proper cone mounting procedures. Typically use front cone mounting method for steel wheels. For aluminum wheel use back cone mounting method without cone spring.

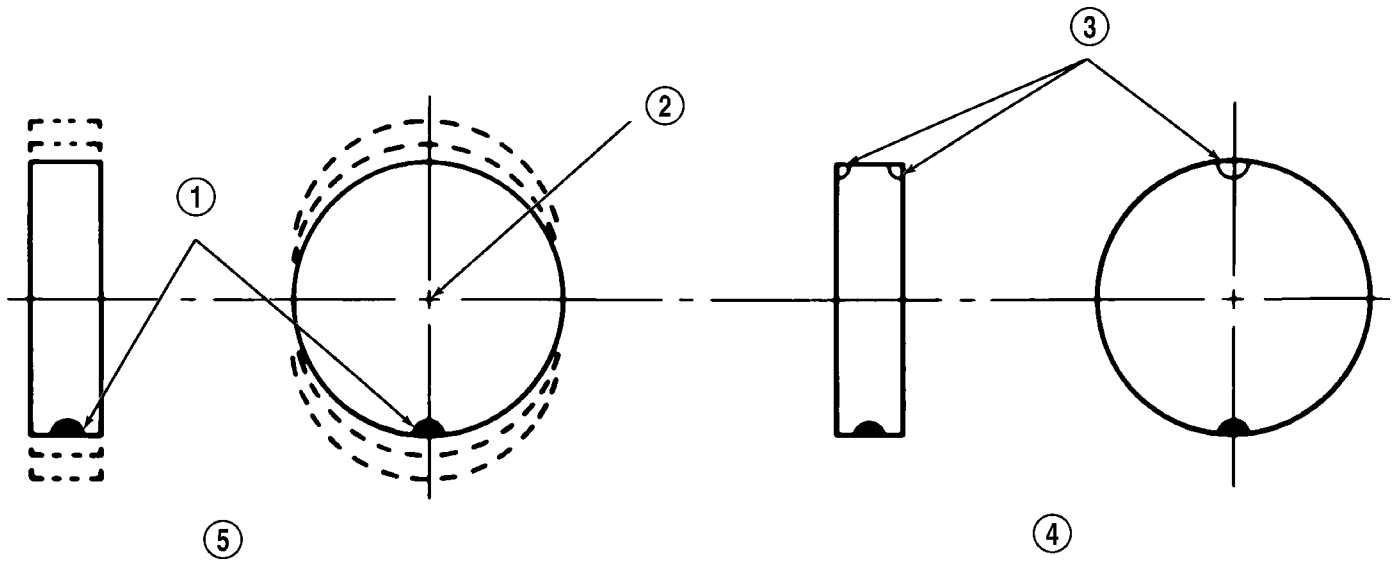
NOTE: Static should be used only when a two plane balancer is not available.

NOTE: Cast aluminum and forged aluminum wheels require coated balance weights and special alignment equipment.

Wheel balancing can be accomplished with either on or off vehicle equipment. When using on-vehicle balancing equipment, remove the opposite wheel/tire. Off-vehicle balancing is recommended.

For static balancing, find the location of the heavy spot causing the imbalance. Counter balance wheel directly opposite the heavy spot. Determine weight required to counter balance the area of imbalance. Place half of this weight on the **inner** rim flange and the other half on the **outer** rim flange (Fig. 7).

For dynamic balancing, the balancing equipment is designed to locate the amount of weight to be applied to both the inner and outer rim flange (Fig. 8).

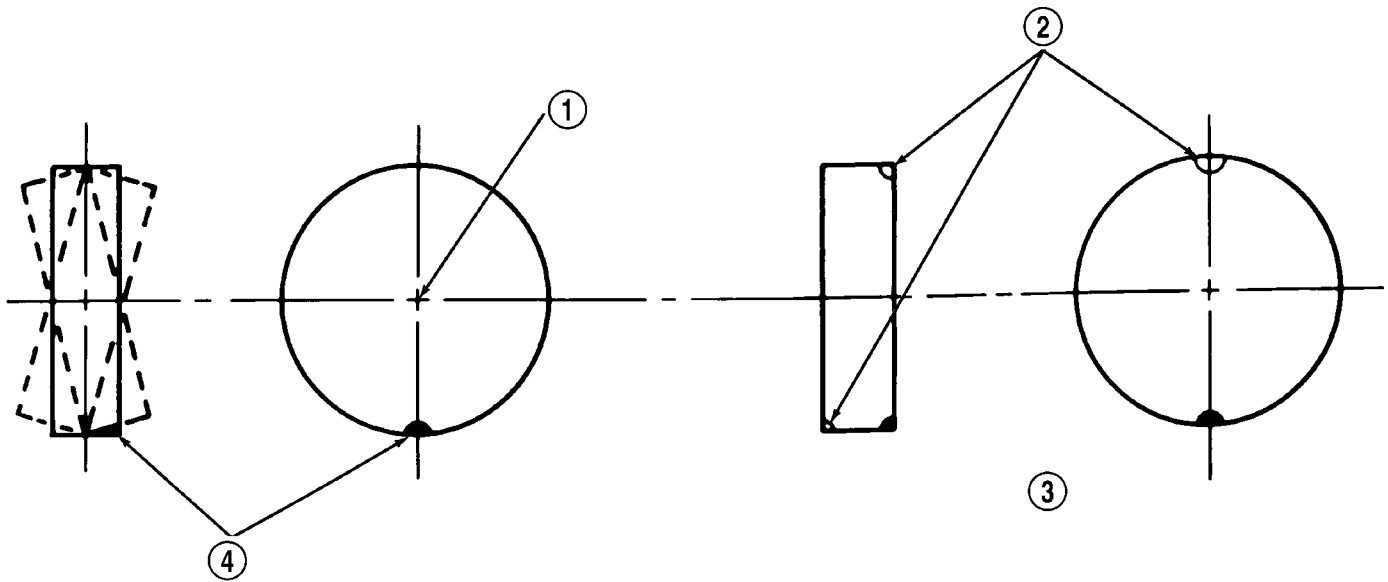


J8922-8

Fig. 7 Static Unbalance & Balance

- 1 - HEAVY SPOT
- 2 - CENTER LINE OF SPINDLE
- 3 - ADD BALANCE WEIGHTS HERE

- 4 - CORRECTIVE WEIGHT LOCATION
- 5 - TIRE OR WHEEL TRAMP, OR WHEEL HOP



J8922-9

Fig. 8 Dynamic Unbalance & Balance

1 - CENTER LINE OF SPINDLE
2 - ADD BALANCE WEIGHTS HERE

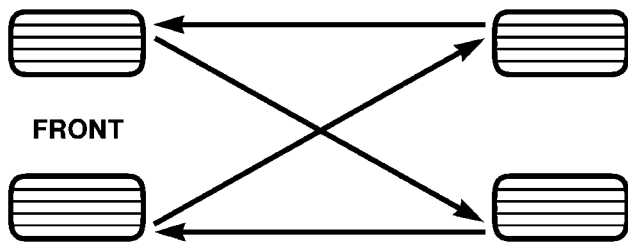
3 - CORRECTIVE WEIGHT LOCATION
4 - HEAVY SPOT WHEEL SHIMMY AND VIBRATION

STANDARD PROCEDURE - TIRE ROTATION

Tires on the front and rear axles operate at different loads and perform different steering, driving, and braking functions. For these reasons, the tires wear at unequal rates. They may also develop irregular wear patterns. These effects can be reduced by rotating the tires according to the maintenance schedule in the Owners Manual. This will improve tread life, traction and maintain a smooth quiet ride.

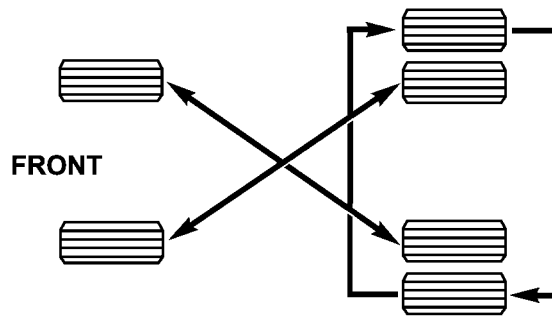
The recommended method of tire rotation is (Fig. 9) & (Fig. 10). Other methods can be used, but may not provide the same tire longevity benefits.

CAUTION: 3500 Dual rear tires have a new tire rotation pattern. This is to accommodate the asymmetrical design of the ON/OFF road tires and the use of the outlined white letter (OWL) tires. When replacing a flat, the spare tire may have to be remounted on the rim or installed at a different location to maintain the correct placement of the asymmetrical design or the (OWL).



8031e864

Fig. 9 TIRE ROTATION PATTERN - SINGLE REAR WHEEL (SRW)



80f58ec6

Fig. 10 TIRE ROTATION PATTERN - DUAL REAR WHEELS (DRW)

SPECIFICATIONS

TORQUE CHART

TORQUE SPECIFICATIONS

DESCRIPTION	N-m	Ft. Lbs.	In. Lbs.
3500 Series	190 +10	140 +10	—
2500 Series	240 +10	177 +10	—

TIRES

DESCRIPTION

DESCRIPTION - TIRES

Tires are designed and engineered for each specific vehicle. They provide the best overall performance for normal operation. The ride and handling characteristics match the vehicle's requirements. With proper care they will give excellent reliability, traction, skid resistance, and tread life.

Driving habits have more effect on tire life than any other factor. Careful drivers will obtain in most cases, much greater mileage than severe use or careless drivers. A few of the driving habits which will shorten the life of any tire are:

- Rapid acceleration
- Severe brake applications
- High speed driving
- Excessive speeds on turns
- Striking curbs and other obstacles

Radial-ply tires are more prone to irregular tread wear. It is important to follow the tire rotation interval shown in the section on Tire Rotation, (Refer to 22 - TIRES/WHEELS - STANDARD PROCEDURE). This will help to achieve a greater tread life.

TIRE IDENTIFICATION

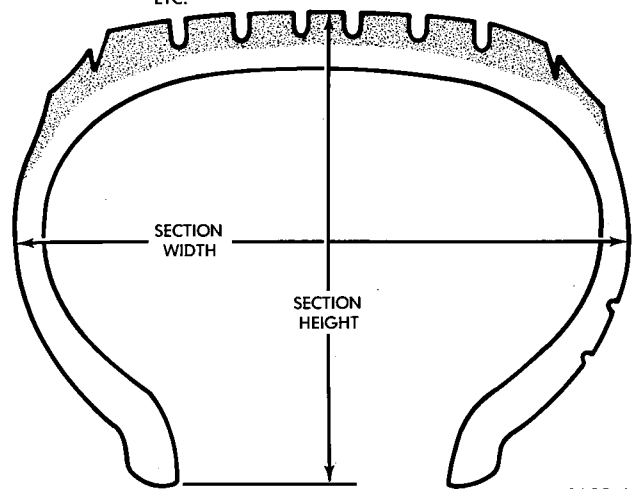
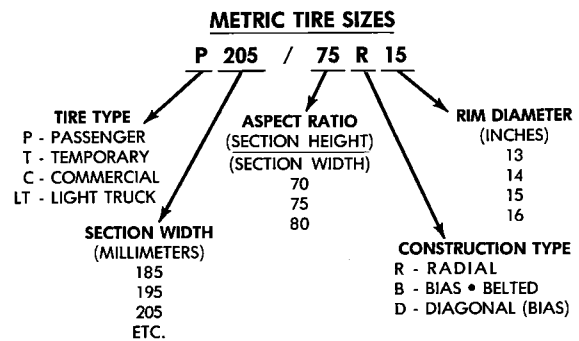
Tire type, size, aspect ratio and speed rating are encoded in the letters and numbers imprinted on the side wall of the tire. Refer to the chart to decipher the tire identification code (Fig. 11).

Performance tires have a speed rating letter after the aspect ratio number. The speed rating is not always printed on the tire sidewall. These ratings are:

- **Q** up to 100 mph
- **R** up to 106 mph
- **S** up to 112 mph
- **T** up to 118 mph
- **U** up to 124 mph

- **H** up to 130 mph
- **V** up to 149 mph
- **Z** more than 149 mph (consult the tire manufacturer for the specific speed rating)

An All Season type tire will have either **M + S**, **M & S** or **M-S** (indicating mud and snow traction) imprinted on the side wall.



J9322-6

Fig. 11 Tire Identification

TIRE CHAINS

Tire snow chains may be used on **certain** models. Refer to the Owner's Manual for more information.

DESCRIPTION - RADIAL - PLY TIRES

Radial-ply tires improve handling, tread life and ride quality, and decrease rolling resistance.

Radial-ply tires must always be used in sets of four. Under no circumstances should they be used on the front only. They may be mixed with temporary spare tires when necessary. A maximum speed of 50 MPH is recommended while a temporary spare is in use.

Radial-ply tires have the same load-carrying capacity as other types of tires of the same size. They also use the same recommended inflation pressures.

The use of oversized tires, either in the front or rear of the vehicle, can cause vehicle drive train failure. This could also cause inaccurate wheel speed signals when the vehicle is equipped with Anti-Lock Brakes.

The use of tires from different manufacturers on the same vehicle is NOT recommended. The proper tire pressure should be maintained on all four tires.

DESCRIPTION - TIRE PRESSURE FOR HIGH SPEEDS

Where speed limits allow the vehicle to be driven at high speeds, correct tire inflation pressure is very important. For speeds up to and including 120 km/h (75 mph), tires must be inflated to the pressures shown on the tire placard. For continuous speeds in excess of 120 km/h (75 mph), tires must be inflated to the maximum pressure specified on the tire sidewall.

Vehicles loaded to the maximum capacity should not be driven at continuous speeds above 75 mph (120 km/h).

For emergency vehicles that are driven at speeds over 90 mph (144 km/h), special high speed tires must be used. Consult tire manufacturer for correct inflation pressure recommendations.

DESCRIPTION - REPLACEMENT TIRES

The original equipment tires provide a proper balance of many characteristics such as:

- Ride
- Noise
- Handling
- Durability
- Tread life
- Traction
- Rolling resistance
- Speed capability

It is recommended that tires equivalent to the original equipment tires be used when replacement is needed.

Failure to use equivalent replacement tires may adversely affect the safety and handling of the vehicle.

The use of oversize tires may cause interference with vehicle components. Under extremes of suspension and steering travel, interference with vehicle components may cause tire damage.

WARNING: FAILURE TO EQUIP THE VEHICLE WITH TIRES HAVING ADEQUATE SPEED CAPABILITY CAN RESULT IN SUDDEN TIRE FAILURE.

DESCRIPTION - TIRE INFLATION PRESSURES

Under inflation will cause rapid shoulder wear, tire flexing, and possible tire failure (Fig. 12).

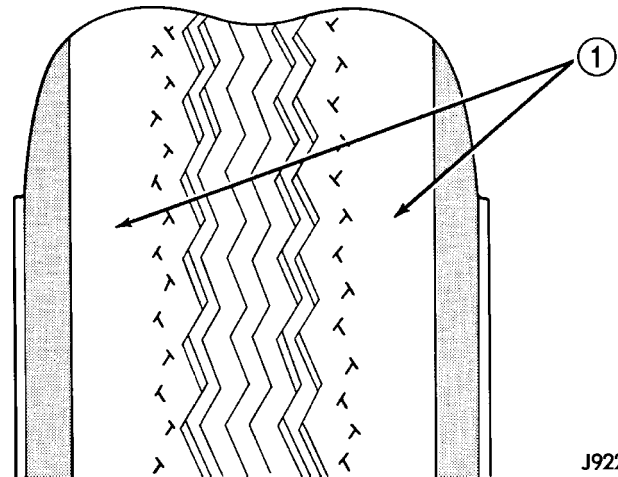


Fig. 12 Under Inflation Wear

1 - THIN TIRE THREAD AREAS

Over inflation will cause rapid center wear and loss of the tire's ability to cushion shocks (Fig. 13).

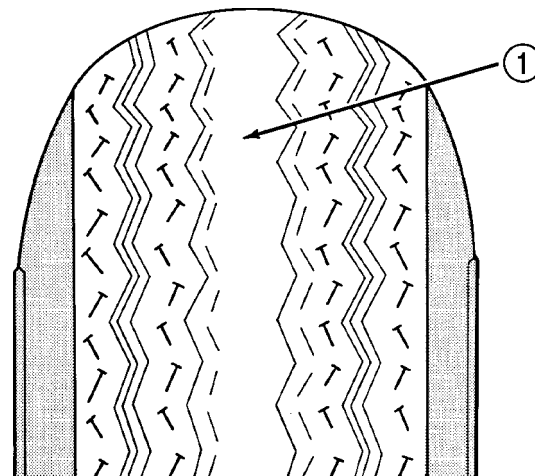


Fig. 13 Over Inflation Wear

1 - THIN TIRE THREAD AREA

Improper inflation can cause:

- Uneven wear patterns
- Reduced tread life
- Reduced fuel economy
- Unsatisfactory ride

- Vehicle drift

For proper tire pressure specification refer to the Tire Inflation Pressure Chart provided with the vehicles Owners Manual. A Certification Label on the drivers side door pillar provides the minimum tire and rim size for the vehicle. The label also list the cold inflation pressure for these tires at full load operation

Tire pressures have been chosen to provide safe operation, vehicle stability, and a smooth ride. Tire pressure should be checked cold once a month. Tire pressure decreases as the ambient temperature drops. Check tire pressure frequently when ambient temperature varies widely.

Tire inflation pressures are cold inflation pressure. The vehicle must sit for at least 3 hours to obtain the correct cold inflation pressure reading. Or be driven less than one mile after sitting for 3 hours. Tire inflation pressures may increase from 2 to 6 pounds per square inch (psi) during operation. Do not reduce this normal pressure build-up.

WARNING: OVER OR UNDER INFLATED TIRES CAN AFFECT VEHICLE HANDLING AND TREAD WEAR. THIS MAY CAUSE THE TIRE TO FAIL SUDDENLY, RESULTING IN LOSS OF VEHICLE CONTROL.

DIAGNOSIS AND TESTING

DIAGNOSIS AND TESTING - PRESSURE GAUGES

A quality air pressure gauge is recommended to check tire pressure. After checking the air pressure, replace valve cap finger tight.

DIAGNOSIS AND TESTING - TIRE NOISE OR VIBRATION

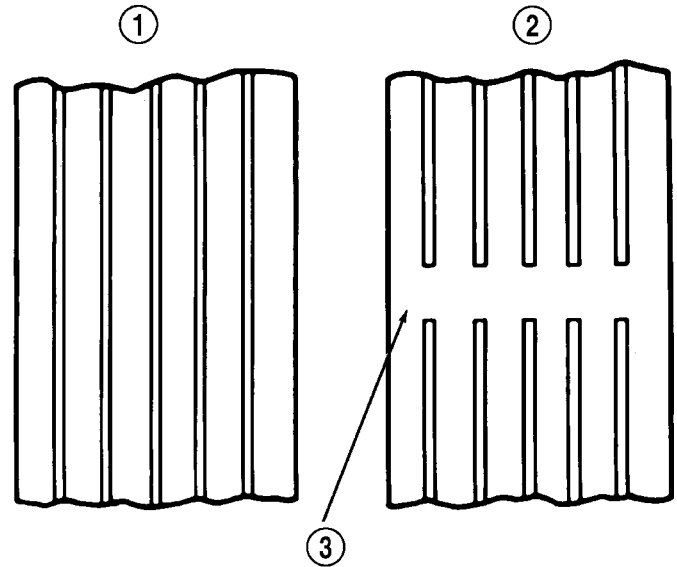
Radial-ply tires are sensitive to force impulses caused by improper mounting, vibration, wheel defects, or possibly tire imbalance.

To find out if tires are causing the noise or vibration, drive the vehicle over a smooth road at varying speeds. Note the noise level during acceleration and deceleration. The engine, differential and exhaust noises will change as speed varies, while the tire noise will usually remain constant.

DIAGNOSIS AND TESTING - TREAD WEAR INDICATORS

Tread wear indicators are molded into the bottom of the tread grooves. When tread depth is 1.6 mm (1/16 in.), the tread wear indicators will appear as a 13 mm (1/2 in.) band (Fig. 14).

Tire replacement is necessary when indicators appear in two or more grooves or if localized balding occurs.



J8922-5

Fig. 14 Tread Wear Indicators

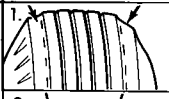
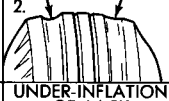
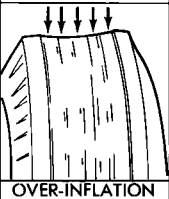
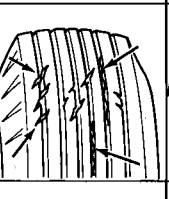
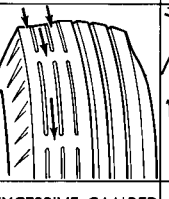
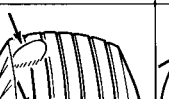
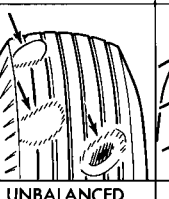
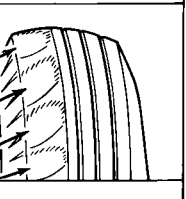
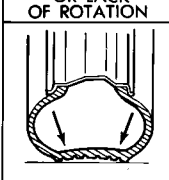
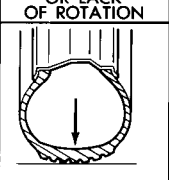
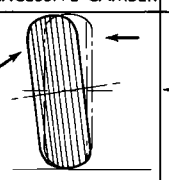
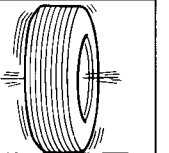
- 1 - TREAD ACCEPTABLE
- 2 - TREAD UNACCEPTABLE
- 3 - WEAR INDICATOR

DIAGNOSIS AND TESTING - TIRE WEAR PATTERNS

Under inflation will cause wear on the shoulders of tire. Over inflation will cause wear at the center of tire.

Excessive camber causes the tire to run at an angle to the road. One side of tread is then worn more than the other (Fig. 15).

Excessive toe-in or toe-out causes wear on the tread edges and a feathered effect across the tread (Fig. 15).

CONDITION	RAPID WEAR AT SHOULDERS	RAPID WEAR AT CENTER	CRACKED TREADS	WEAR ON ONE SIDE	FEATHERED EDGE	BALD SPOTS	SCALLOPED WEAR
EFFECT	 1.	 2.					
CAUSE	UNDER-INFLATION OR LACK OF ROTATION	OVER-INFLATION OR LACK OF ROTATION	UNDER-INFLATION OR EXCESSIVE SPEED*	EXCESSIVE CAMBER	INCORRECT TOE	UNBALANCED WHEEL	LACK OF ROTATION OF TIRES OR WORN OR OUT-OF-ALIGNMENT SUSPENSION.
							
CORRECTION	ADJUST PRESSURE TO SPECIFICATIONS WHEN TIRES ARE COOL ROTATE TIRES			ADJUST CAMBER TO SPECIFICATIONS	ADJUST TOE-IN TO SPECIFICATIONS	DYNAMIC OR STATIC BALANCE WHEELS	ROTATE TIRES AND INSPECT SUSPENSION SEE GROUP 2

*HAVE TIRE INSPECTED FOR FURTHER USE.

RN797

Fig. 15 Tire Wear Patterns

DIAGNOSIS AND TESTING - TIRE / VEHICLE LEAD

Use the following Vehicle Lead Diagnosis And Correction Chart to diagnose and correct a vehicle lead or drift problem (Fig. 16).

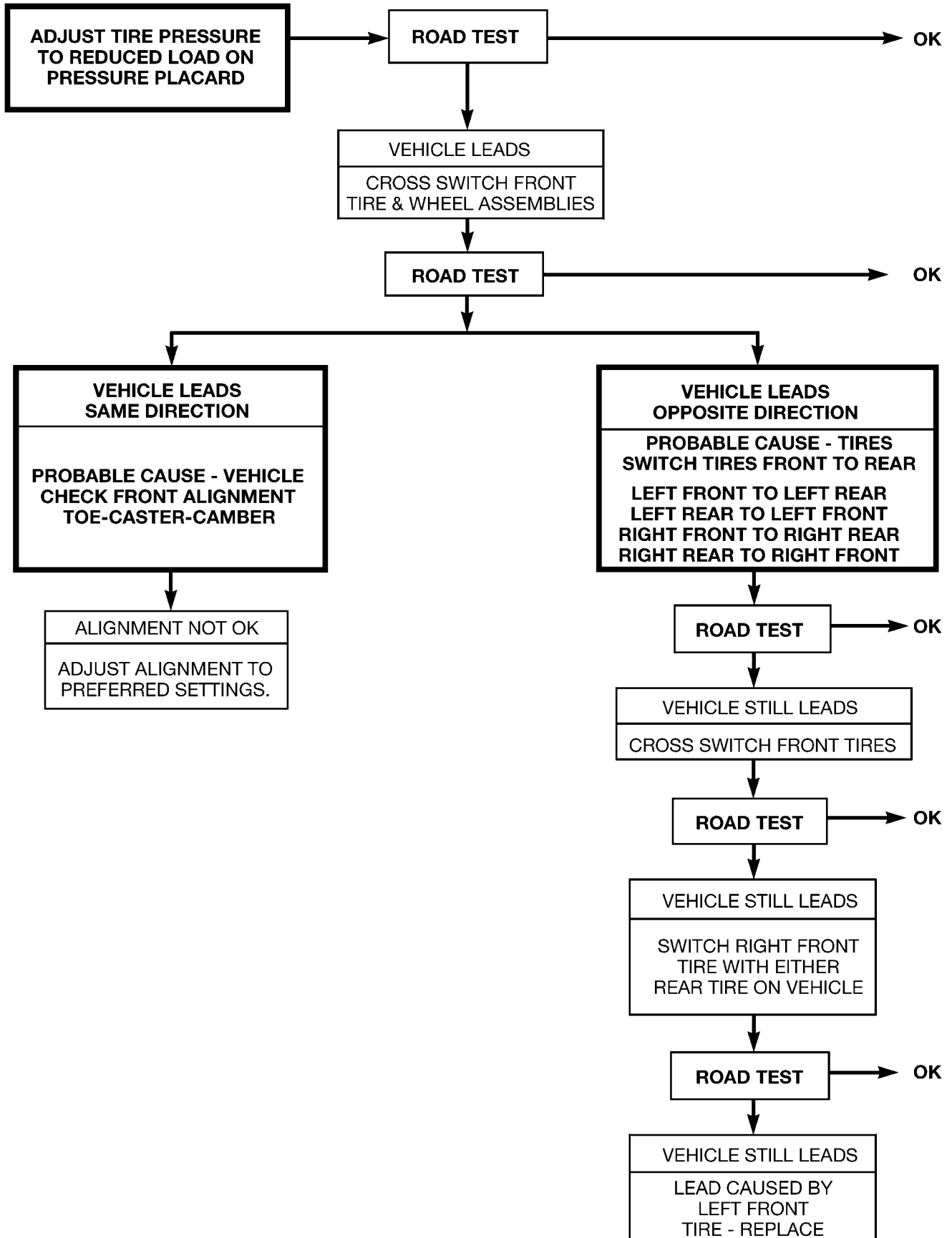


Fig. 16 VEHICLE LEAD DIAGNOSIS AND CORRECTION CHART

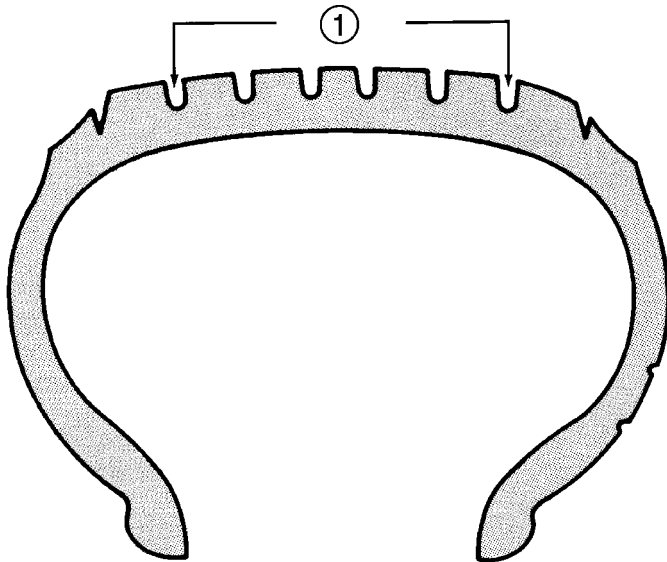
STANDARD PROCEDURE - REPAIRING LEAKS

For proper repairing, a radial tire must be removed from the wheel. Repairs should only be made if the defect, or puncture, is in the tread area (Fig. 17). The tire should be replaced if the puncture is located in the sidewall.

Deflate tire completely before removing the tire from the wheel. Use lubrication such as a mild soap solution when dismounting or mounting tire. Use tools free of burrs or sharp edges which could damage the tire or wheel rim.

Before mounting tire on wheel, make sure all rust is removed from the rim bead and repaint if necessary.

Install wheel on vehicle, and tighten to proper torque specification, (Refer to 22 - TIRES/WHEELS/WHEELS - SPECIFICATIONS).



J8922-6

Fig. 17 TIRE REPAIR AREA

1 - TIRE REPAIR AREA

CLEANING

Remove the protective coating on the tires before delivery of a vehicle. This coating may cause deterioration of the tires.

To remove the protective coating, apply warm water and let it soak for a few minutes. Afterwards, scrub the coating away with a soft bristle brush. Steam cleaning may also be used to remove the coating.

NOTE: DO NOT use gasoline, mineral oil, oil-based solvent or a wire brush for cleaning.

SPECIFICATIONS

TIRES

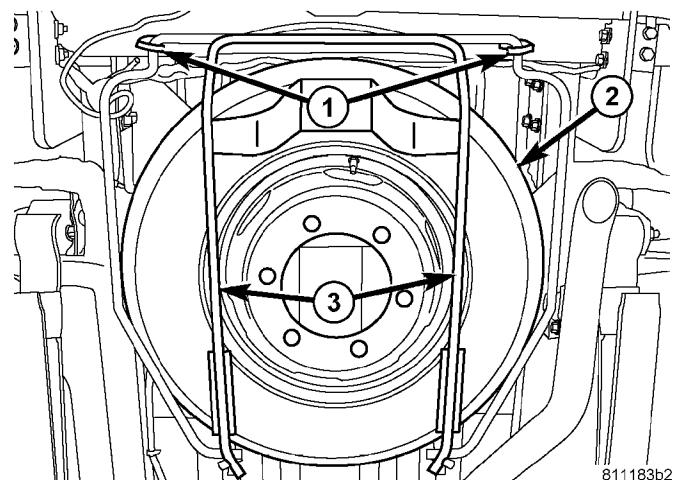
SPECIFICATIONS

DESCRIPTION	SPECIFICATION
TIRE	P225/70R15C LR D
TIRE	LT225/75R16 LR E
TIRE	P

SPARE TIRE CARRIER

REMOVAL

- (1) Open the back doors.
- (2) Loosen the bolts for the spare tire hold down (Fig. 18).
- (3) Push up on the spare tire carrier and push the hold downs to the side and lower (Fig. 18).
- (4) Remove the spare tire.



811183b2

Fig. 18 SPARE TIRE

- 1 - HOLD DOWNS
- 2 - SPARE TIRE
- 3 - SPARE TIRE CARRIER

INSTALLATION

- (1) Install the spare tire to the spare tire carrier (Fig. 18).
- (2) Raise the tire and wheel assembly and hook on the hold downs (Fig. 18).
- (3) Then tighten the hold downs to secure the spare tire in place and then close the doors.

WHEELS

DESCRIPTION

Original equipment wheels are designed for the specified Maximum Vehicle Capacity.

All models use steel or aluminum wheels.

Aluminum wheels require special balance weights and alignment equipment.

(1) On vehicles equipped with dual rear wheels, The slots in the wheel must be aligned to provide access to the valve stem.

OPERATION

The wheel (Fig. 19) has raised sections between the rim flanges and the rim well. Initial inflation of the tire forces the bead over these raised sections. In case of tire failure, the raised sections hold the tire in position on the wheel until the vehicle can be brought to a safe stop.

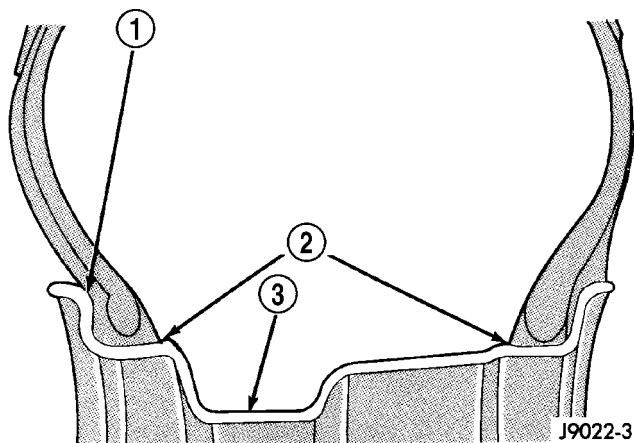


Fig. 19 Safety Rim

- 1 - FLANGE
- 2 - RIDGE
- 3 - WELL

DIAGNOSIS AND TESTING

WHEEL INSPECTION

Inspect wheels for:

- Excessive run out
- Dents or cracks
- Damaged wheel lug nut holes
- Air Leaks from any area or surface of the rim

NOTE: Do not attempt to repair a wheel by hammering, heating or welding.

If a wheel is damaged an original equipment replacement wheel should be used. When obtaining replacement wheels, they should be equivalent in load carrying capacity. The diameter, width, offset,

pilot hole and bolt circle of the wheel should be the same as the original wheel.

WARNING: FAILURE TO USE EQUIVALENT REPLACEMENT WHEELS MAY ADVERSELY AFFECT THE SAFETY AND HANDLING OF THE VEHICLE. USED WHEELS ARE NOT RECOMMENDED. THE SERVICE HISTORY OF THE WHEEL MAY HAVE INCLUDED SEVERE TREATMENT OR VERY HIGH MILEAGE. THE RIM COULD FAIL WITHOUT WARNING.

STANDARD PROCEDURE

STANDARD PROCEDURE - WHEEL REPLACEMENT

The wheel stud/lugs are designed for specific applications. They must be replaced with equivalent parts. Do not use replacement parts of lesser quality or a substitute design.

Before installing the wheel, be sure to remove any build up of corrosion on the wheel mounting surfaces. Ensure wheels are installed with good metal-to-metal contact. Improper installation could cause loosening of wheel nuts. This could affect the safety and handling of your vehicle.

To install the wheel, first position it properly on the mounting surface. All wheel nuts should then be tightened just snug. Gradually tighten them in sequence to the proper torque specification. **Never use oil or grease on studs.**

Wheels must be replaced if they have:

- Excessive runout
- Bent or dented
- Leak air through welds
- Have damaged bolt holes

Wheel repairs employing hammering, heating, or welding are not allowed.

Original equipment wheels are available through your dealer. Replacement wheels from any other source should be equivalent in:

- Load carrying capacity
- Diameter
- Width
- Offset
- Mounting configuration

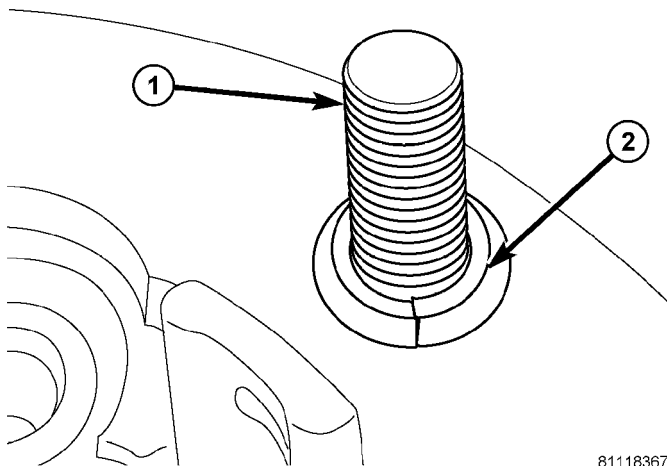
Failure to use equivalent replacement wheels may affect the safety and handling of your vehicle. Replacement with **used** wheels is not recommended. Their service history may have included severe treatment.

STANDARD PROCEDURE - DUAL REAR WHEEL INSTALLATION

The tires on both wheels must be completely raised off the ground when tightening the lug nuts. This

will ensure correct wheel centering and maximum wheel clamping.

Before installing the wheel to the wheel ring flange make sure that all the cone washers are installed on the wheel flange ring (Fig. 20).



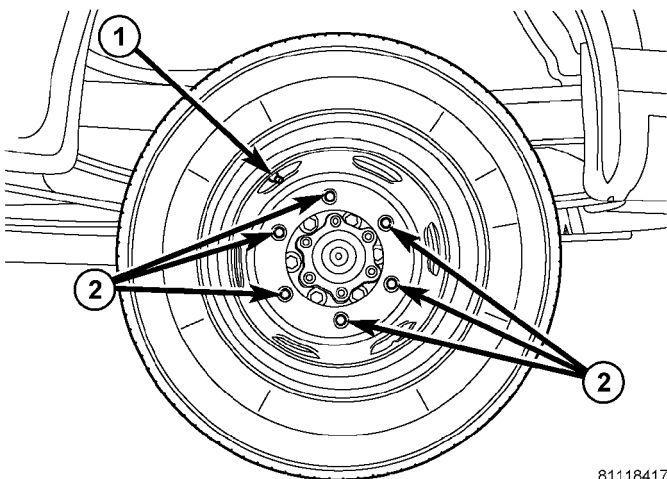
81118367

Fig. 20 WHEEL RING FLANGE CONE WASHERS

- 1 - WHEEL STUD
- 2 - CONE WASHER

The dual rear wheel lug nuts should be tightened according to the following procedure:

- Install the inner wheel to the hub assembly.
- Install the outer wheel **Make sure the valve stems line up with each when aligning the wheels (Fig. 21).**

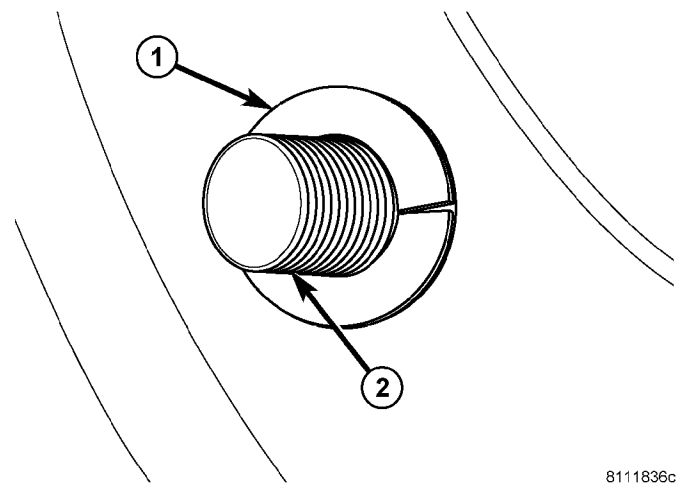


81118417

Fig. 21 DUAL REAR WHEEL

- 1 - VALVE STEMS
- 2 - LUG NUTS

- Install the cone washers for the outer wheel before installing the lug nuts (Fig. 22).



8111836c

Fig. 22 (DRW) WHEEL CONE WASHERS

- 1 - CONE WASHER
- 2 - LUG STUD

- Tighten the wheel lug nuts in the numbered sequential pattern until they are snug tight. Then tighten lug nuts to specified torque following same number sequence, (Refer to 22 - TIRES/WHEELS/WHEELS - SPECIFICATIONS).

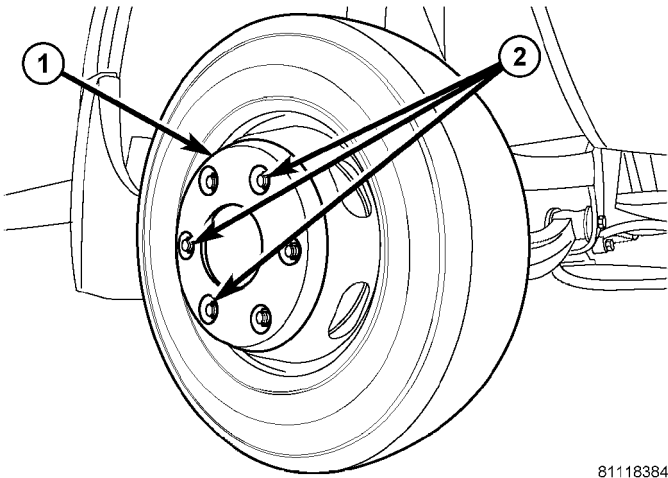
- Tighten lug nuts in same numbered sequence a second time to the specified torque. This will ensure that the wheels are thoroughly mated.

- Check lug nut specified torque after 100 miles (160 kilometers). Also after 500 miles (800 kilometers) of vehicle operation.

NOTE: Wheel lug nuts should be tightened to specified torque at every maintenance interval thereafter.

REMOVAL

- (1) Raise and support the vehicle.
- (2) Remove the wheel lug studs (SRW) (Fig. 24).
- (3) Remove the lug nuts (DRW) **On vehicles with dual rear wheels do not pry off the front hub cap the lug nuts must be removed in order to remove the hub cap.** (Fig. 23).

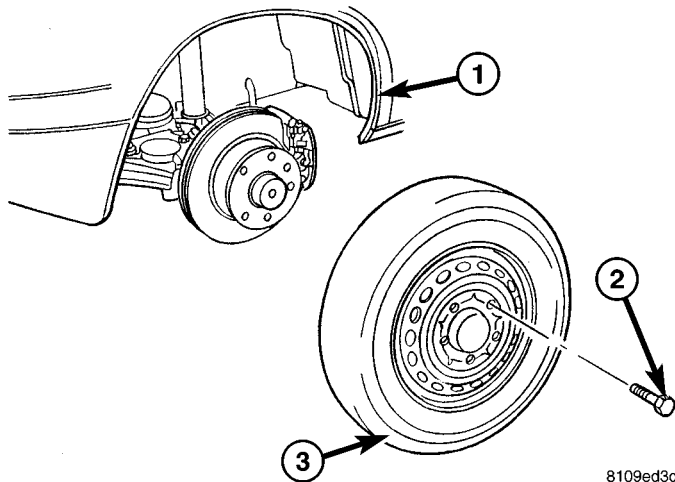


81118384

Fig. 23 FRONT TIRE (DRW)

- 1 - HUB CAP
- 2 - LUG NUT WITH HUB CAP HOLD DOWNS

(4) Remove the wheel and tire assembly.



8109ed3c

Fig. 24 WHEEL REMOVAL / INSTALLATION

- 1 - VEHICLE
- 2 - LUG/STUD
- 3 - TIRE & WHEEL ASSEMBLY

INSTALLATION

- (1) Install the wheel and tire assembly to the vehicle.
- (2) Install the wheel lug studs (SRW) (Fig. 24) and tighten to specification (Refer to 22 - TIRES/WHEELS - SPECIFICATIONS) See specification table for model variations.
- (3) Install the hub cap to the wheel then install snugly the lug nuts to hold the hub cap to the wheel (DRW) (Fig. 23).
- (4) Install the wheel lug nuts (DRW) and tighten to specification (Refer to 22 - TIRES/WHEELS - SPECIFICATIONS) See specification table for model variations.
- (5) Lower the vehicle.

BODY

TABLE OF CONTENTS

	page		page
BODY		DOOR - FRONT	13
WARNING		DOORS - REAR	23
SAFETY PRECAUTIONS AND WARNINGS ...	1	DOORS - SLIDING	35
DIAGNOSIS AND TESTING		EXTERIOR	48
DIAGNOSIS AND TESTING - WATER LEAKS .	1	HOOD	51
DIAGNOSIS AND TESTING - WIND NOISE ...	2	INSTRUMENT PANEL	55
STANDARD PROCEDURE		INTERIOR	70
STANDARD PROCEDURE - PLASTIC BODY		PAINT	77
PANEL REPAIR	3	SEATS	79
STANDARD PROCEDURE - BUZZ, SQUEAK		STATIONARY GLASS	84
& RATTLE	10	WEATHERSTRIP/SEALS	90
SPECIFICATIONS	11	BODY STRUCTURE	91

BODY

WARNING

SAFETY PRECAUTIONS AND WARNINGS

WARNING: USE AN OSHA APPROVED BREATHING FILTER WHEN SPRAYING PAINT OR SOLVENTS IN A CONFINED AREA. PERSONAL INJURY CAN RESULT.

- **AVOID PROLONGED SKIN CONTACT WITH PETROLEUM OR ALCOHOL – BASED CLEANING SOLVENTS. PERSONAL INJURY CAN RESULT.**
- **DO NOT STAND UNDER A HOISTED VEHICLE THAT IS NOT PROPERLY SUPPORTED ON SAFETY STANDS. PERSONAL INJURY CAN RESULT.**

CAUTION: When holes must be drilled or punched in an inner body panel, verify depth of space to the outer body panel, electrical wiring, or other components. Damage to vehicle can result.

- **Do not weld exterior panels unless combustible material on the interior of vehicle is removed from the repair area. Fire or hazardous conditions, can result.**
- **Always have a fire extinguisher ready for use when welding.**
- **Disconnect the negative (-) cable clamp from the battery when servicing electrical components that are live when the ignition is OFF. Damage to electrical system can result.**
- **Do not use abrasive chemicals or compounds on painted surfaces. Damage to finish can result.**

- **Do not use harsh alkaline based cleaning solvents on painted or upholstered surfaces. Damage to finish or color can result.**
- **Do not hammer or pound on plastic trim panel when servicing interior trim. Plastic panels can break.**

DIAGNOSIS AND TESTING

DIAGNOSIS AND TESTING - WATER LEAKS

Water leaks can be caused by poor sealing, improper body component alignment, body seam porosity, missing plugs, or blocked drain holes. Centrifugal and gravitational force can cause water to drip from a location away from the actual leak point, making leak detection difficult. All body sealing points should be water tight in normal wet-driving conditions. Water flowing downward from the front of the vehicle should not enter the passenger or luggage compartment. Moving sealing surfaces will not always seal water tight under all conditions. At times, side glass or door seals will allow water to enter the passenger compartment during high pressure washing or hard driving rain (severe) conditions. Overcompensating on door or glass adjustments to stop a water leak that occurs under severe conditions can cause premature seal wear and excessive closing or latching effort. After completing a repair, water test vehicle to verify leak has stopped before returning vehicle to use.

VISUAL INSPECTION BEFORE WATER LEAK TESTS

Verify that floor and body plugs are in place, body drains are clear, and body components are properly

aligned and sealed. If component alignment or sealing is necessary, refer to the appropriate section of this group for proper procedures.

WATER LEAK TESTS

WARNING: DO NOT USE ELECTRIC SHOP LIGHTS OR TOOLS IN WATER TEST AREA. PERSONAL INJURY CAN RESULT.

When the conditions causing a water leak have been determined, simulate the conditions as closely as possible.

- If a leak occurs with the vehicle parked in a steady light rain, flood the leak area with an open-ended garden hose.

- If a leak occurs while driving at highway speeds in a steady rain, test the leak area with a reasonable velocity stream or fan spray of water. Direct the spray in a direction comparable to actual conditions.

- If a leak occurs when the vehicle is parked on an incline, hoist the end or side of the vehicle to simulate this condition. This method can be used when the leak occurs when the vehicle accelerates, stops or turns. If the leak occurs on acceleration, hoist the front of the vehicle. If the leak occurs when braking, hoist the back of the vehicle. If the leak occurs on left turns, hoist the left side of the vehicle. If the leak occurs on right turns, hoist the right side of the vehicle. For hoisting recommendations (Refer to LUBRICATION & MAINTENANCE/HOISTING - STANDARD PROCEDURE).

WATER LEAK DETECTION

To detect a water leak point-of-entry, do a water test and watch for water tracks or droplets forming on the inside of the vehicle. If necessary, remove interior trim covers or panels to gain visual access to the leak area. If the hose cannot be positioned without being held, have someone help do the water test.

Some water leaks must be tested for a considerable length of time to become apparent. When a leak appears, find the highest point of the water track or drop. The highest point usually will show the point of entry. After leak point has been found, repair the leak and water test to verify that the leak has stopped.

Locating the entry point of water that is leaking into a cavity between panels can be difficult. The trapped water may splash or run from the cavity, often at a distance from the entry point. Most water leaks of this type become apparent after accelerating, stopping, turning, or when on an incline.

MIRROR INSPECTION METHOD

When a leak point area is visually obstructed, use a suitable mirror to gain visual access. A mirror can

also be used to deflect light to a limited-access area to assist in locating a leak point.

BRIGHT LIGHT LEAK TEST METHOD

Some water leaks in the luggage compartment can be detected without water testing. Position the vehicle in a brightly lit area. From inside the darkened luggage compartment inspect around seals and body seams. If necessary, have a helper direct a drop light over the suspected leak areas around the luggage compartment. If light is visible through a normally sealed location, water could enter through the opening.

PRESSURIZED LEAK TEST METHOD

When a water leak into the passenger compartment cannot be detected by water testing, pressurize the passenger compartment and soap test exterior of the vehicle. To pressurize the passenger compartment, close all doors and windows, start engine, and set heater control to high blower in HEAT position. If engine can not be started, connect a charger to the battery to ensure adequate voltage to the blower. With interior pressurized, apply dish detergent solution to suspected leak area on the exterior of the vehicle. Apply detergent solution with spray device or soft bristle brush. If soap bubbles occur at a body seam, joint, seal or gasket, the leak entry point could be at that location.

DIAGNOSIS AND TESTING - WIND NOISE

Wind noise is the result of most air leaks. Air leaks can be caused by poor sealing, improper body component alignment, body seam porosity, or missing plugs in the engine compartment or door hinge pillar areas. All body sealing points should be airtight in normal driving conditions. Moving sealing surfaces will not always seal airtight under all conditions. At times, side glass or door seals will allow wind noise to be noticed in the passenger compartment during high cross winds. Over compensating on door or glass adjustments to stop wind noise that occurs under severe conditions can cause premature seal wear and excessive closing or latching effort. After a repair procedure has been performed, test vehicle to verify noise has stopped before returning vehicle to use.

VISUAL INSPECTION BEFORE TESTS

Verify that floor and body plugs are in place and body components are aligned and sealed. If component alignment or sealing is necessary, refer to the appropriate section of this group for proper procedures.

ROAD TESTING WIND NOISE

- (1) Drive the vehicle to verify the general location of the wind noise.

(2) Apply 50 mm (2 in.) masking tape in 150 mm (6 in.) lengths along weatherstrips, weld seams or moldings. After each length is applied, drive the vehicle. If noise goes away after a piece of tape is applied, remove tape, locate, and repair defect.

POSSIBLE CAUSE OF WIND NOISE

- Moldings standing away from body surface can catch wind and whistle.
- Gaps in sealed areas behind overhanging body flanges can cause wind-rushing sounds.
- Misaligned movable components.
- Missing or improperly installed plugs in pillars.
- Weld burn through holes.

STANDARD PROCEDURE

STANDARD PROCEDURE - PLASTIC BODY PANEL REPAIR

There are many different types of plastics used in today's automotive environment. We group plastics in three different categories: Rigid, Semi-Rigid, and Flexible. Any of these plastics may require the use of an adhesion promoter for repair. These types of plastic are used extensively on DaimlerChrysler Motors vehicles. Always follow repair material manufacturer's plastic identification and repair procedures.

Rigid Plastics:

Examples of rigid plastic use: Fascias, Hoods, Doors, and other Body Panels, which include SMC, ABS, and Polycarbonates.

Semi - Rigid Plastics:

Examples of semi-rigid plastic use: Interior Panels, Under Hood Panels, and other Body Trim Panels.

Flexible Plastics:

Examples of flexible plastic use: Fascias, Body Moldings, and upper and lower Fascia Covers.

Repair Procedure:

The repair procedure for all three categories of plastics is basically the same. The one difference is the material used for the repair. The materials must

be specific for each substrate, rigid repair material for rigid plastic repair, semi-rigid repair material for semi-rigid plastic repair and flexible repair material for flexible plastic repair.

Adhesion Promoter / Surface Modifier:

Adhesion Promoters/Surface Modifiers are required for certain plastics. All three categories may have plastics that require the use of adhesion promoter/surface modifiers. Always follow repair material manufacturer's plastic identification and repair procedures.

SAFETY PRECAUTION AND WARNINGS

WARNING:

- EYE PROTECTION SHOULD BE USED WHEN SERVICING COMPONENTS. PERSONAL INJURY CAN RESULT.
- USE AN OSHA APPROVED BREATHING MASK WHEN MIXING EPOXY, GRINDING, AND SPRAYING PAINT OR SOLVENTS IN A CONFINED AREA. PERSONAL INJURY CAN RESULT.
- AVOID PROLONGED SKIN CONTACT WITH RESIN, PETROLEUM, OR ALCOHOL BASED SOLVENTS. PERSONAL INJURY CAN RESULT.
- DO NOT VENTURE UNDER A HOISTED VEHICLE THAT IS NOT PROPERLY SUPPORTED ON SAFETY STANDS. PERSONAL INJURY CAN RESULT.

NOTE:

- When holes must be drilled or cut in body panels, verify locations of internal body components and electrical wiring. Damage to vehicle can result.
- Do not use abrasive chemicals or compounds on undamaged painted surfaces around repair areas. Damage to finish can result.

RIGID, SEMI-RIGID, AND FLEXIBLE PLASTIC PARTS TYPES

CODE	FAMILY NAME	COMMON TRADE NAME	TYPICAL APPLICATION
ASA	ACRYLONITRILE STYRENE ACRYLITE	LURAN S	CONSOLES, GRILLES
ABS	ACRYLONITRILE BUTADI- ENE STYRENE	TERLURAN	"A" PILLARS, CONSOLES, GRILLES
ABS/PC	ABS/PC ALLOY	PULSE, PROLOY, BAY- BLEND	DOORS, INSTRUMENT PAN- ELS

CODE	FAMILY NAME	COMMON TRADE NAME	TYPICAL APPLICATION
ABS/PVC	ABS/PV ALLOY	PROLOY, PULSE, LUSTRAN, CYCLOVIN	DOOR PANELS, GRILLES, TRIM
BMC	BULK MOLDING COMPOUND	BMC	FENDER EXTENSIONS
EMA	EHTYLENE METHYL ACRYLATE/IONOMER	SURLYN, EMA, IONOMER	BUMPER GUARDS, PADS
METTON	METTON	METTON	GRILLES, KICK PANELS, RUNNING BOARDS
MPPO	MODIFIED POLYPHENYLENE OXIDE	MPPO	SPOILER ASSEMBLY
PA	POLYAMID	ZYTEL, VYDYNE, PA, MINLON	FENDERS, QUARTER PANELS
PET	THERMOPLASTIC POLYESTER	RYNITE	TRIM
PBT/PPO	PBT/PPO ALLOY	GERMAX	CLADDINGS
PBTP	POLYBUTYLENE TEREPTHALATE	PBT, PBTP, POCAN, VALOX	WHEEL COVERS, FENDERS, GRILLES
PBTP/EEBC	POLYBUTYLENE TEREPTHALATE/EEBC ALLOY	BEXLOY, "M", PBTP/EEBC	FASCIAS, ROCKER PANEL, MOLDINGS
PC	POLYCARBONATE	LEXAN, MERLON, CALIBRE, MAKROLON PC	TAIL LIGHT LENSES, IP TRIM, VALANCE PANELS
PC/ABS	PC/ABS ALLOY	GERMAX, BAY BLENDS, PULSE	DOORS, INSTRUMENT PANELS
PPO	POLYPHENYLENE OXIDE	AZDEL, HOSTALEN, MARLEX, PRFAX, NORYL, GTX, PPO	INTERIOR TRIM, DOOR PANELS, SPLASH SHIELDS, STEERING COLUMN SHROUD
PPO/PA	POLYPHENYLENE/POLYAMID	PPO/PA, GTX 910	FENDERS, QUARTER PANELS
PR/FV	FIBERGLASS REINFORCED PLASTIC	FIBERGLASS, FV, PR/FV	BODY PANELS
PS	POLYSTYRENE	LUSTREX, STYRON, PS	DOOR PANELS, DASH PANELS
RTM	RESIN TRANSFER MOLDING COMPOUND	RTM	BODY PANELS
SMC	SHEET MOLDED COMPOUND	SMC	BODY PANELS
TMC	TRANSFER MOLDING COMPOUND	TMC	GRILLES
UP	UNSATURATED POLYESTER (THERMOSETTING)	SMC, BMC, TMC, ZMC, IMC, XSMC, UP	GRILLE OPENING PANEL, LIFTGATES, FLARESIDE FENDERS, FENDER EXTENSIONS
EEBC	ETHER/ESTER BLOCKED CO-POLYMER	EEBC	BUMPERS
EEBC/PBTP	EEBC/POLYBUTYLENE TEREPTHALATE	EEBC, PBTP, BEXLOY	BUMPER, ROCKER PANELS

CODE	FAMILY NAME	COMMON TRADE NAME	TYPICAL APPLICATION
EMPP	ETHYLENE MODIFIED POLYPROPYLENE	EMPP	BUMPER COVERS
EPDM	ETHYLENE/PROPPROPY-LENE DIENE MONOMER	EPDM, NORDEL, VISTALON	BUMPERS
EPM	ETHYLENE/PROPPROPY-LENE CO-POLYMER	EPM	FENDERS
MPU	FOAM POLYURETHANE	MPU	SPOILERS
PE	POLYETHYLENE	ALATHON, DYLAN, LUPOLEN, MARLEX	-
PP	POLYPROPYLENE (BLENDS)	NORYL, AZDEL, MARLOX, DYLAN, PRAVEX	INNER FENDER, SPOILERS, KICK PANELS
PP/EPDM	PP/EPDM ALLOY	PP/EPDM	SPOILERS, GRILLES
PUR	POLYURETHANE	COLONELS, PUR, PU	FASCIAS, BUMPERS
PUR/PC	PUR/PC ALLOY	TEXIN	BUMPERS
PVC	POLYVINYL CHLORIDE	APEX, GEON, VINYLITE	BODY MOLDINGS, WIRE INSULATION, STEERING WHEELS
RIM	REACTION INJECTED MOLDED POLYURETHANE	RIM, BAYFLEX	FRONT FASCIAS, MODULAR WINDOWS
RRIM	REINFORCED REACTION INJECTED MOLDED	PUR, RRIM	FASCIAS, BODY PANELS, BODY TRIMS
TPE	THERMO POLYETHYLENE	TPE, HYTREL, BEXLOY-V	FASCIAS, BUMPERS, CLADDINGS
TPO	THERMOPOLYOLEFIN	POLYTROPE, RENFLEX, SANTOPRENE, VISAFLEX, ETA, APEX, TPO, SHIELDS, CLADDINGS	BUMPERS, END CAPS, TEL-CAR, RUBBER, STRIPS, SIGHT, INTERIOR B POST
TPP	THERMO-POLYPROPYLENE	TPP	BUMPERS
TPU	THERMOPOLYURETHANE, POLYESTER	TPU, HYTREL, TEXIN, ESTANE	BUMPERS, BODY SIDE, MOLDINGS, FENDERS, FASCIAS

PANEL SECTIONING

If it is required to section a large panel for a plastic repair, it will be necessary to reinforce the panel (Fig. 1). To bond two plastic panels together, a reinforcement must overlap both panels. The panels must be "V'd" at a 20 degree angle. The area to be reinforced should be washed, then sanded. Be sure to wipe off any excess soap and water when finished. Lightly sand or abrade the plastic with an abrasive pad or sandpaper. Blow off any dust with compressed air or wipe with a clean dry rag.

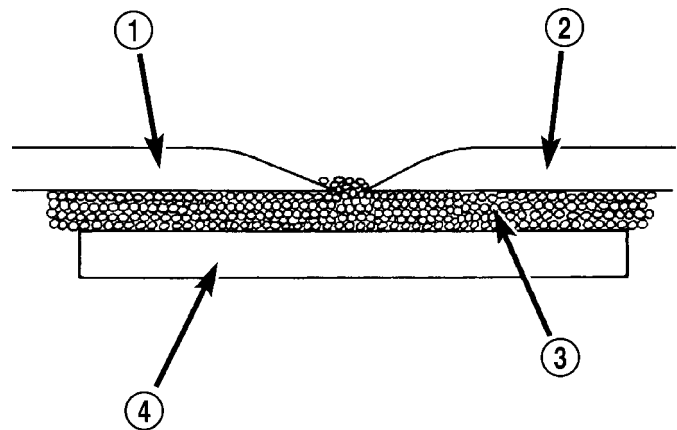


Fig. 1 PANEL SECTIONING

- 1 - EXISTING PANEL
- 2 - NEW PANEL
- 3 - PANEL ADHESIVE
- 4 - BONDING STRIP

When bonding plastic panels, Follow repair material manufacturers recommendations. Be sure that enough adhesive has been applied to allow squeeze out and to fill the full bond line. Once the pieces have been brought together, do not move them until the adhesive is cured. The assembly can be held together with clamps, rivets, etc. A faster cure can be obtained by heating with a heat lamp or heat gun. After the parts have been bonded and have had time to cure, rough sand the seam and apply the final adhesive filler to the area being repaired. Smooth the filler with a spreader, wooden tongue depressor, or squeegee. For fine texturing, a small amount of water can be applied to the filler surface while smoothing. The cured filler can be sanded as necessary and, as a final step, cleanup can be done with soapy water. Wipe the surface clean with a dry cloth allowing time for the panel to dry before moving on with the repair.

PANEL REINFORCEMENT

Structural repair procedures for rigid panels with large cracks and holes will require a reinforcement backing. Reinforcements can be made with several applications of glass cloth saturated with structural adhesive. Semi-rigid or flexible repair materials should be used for semi-rigid or flexible backing reinforcement (Fig. 2) and (Fig. 3). Open meshed fiberglass dry wall tape can be used to form a reinforcement. The dry wall tape allows the resin to penetrate through and make a good bond between the panel and the adhesive. Structurally, the more dry wall tape used, the stronger the repair.

Another kind of repair that can be done to repair large cracks and holes is to use a scrap piece of similar plastic and bond with structural adhesive. The reinforcement should cover the entire break and should have a generous amount of overlap on either side of the cracked or broken area.

When repairing plastic, the damaged area is first "V'd" out, or beveled. Large bonding areas are desirable when repairing plastic because small repairs are less likely to hold permanently. Beveling the area around a crack at a 20 degree angle will increase the bonding surface for a repair (Fig. 4). It is recommended that sharp edges be avoided because the joint may show through after the panel is refinished.

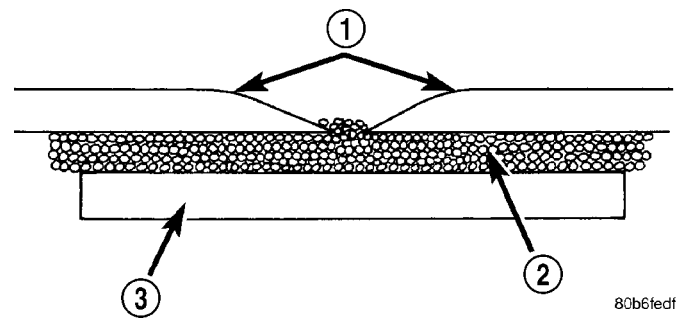


Fig. 2 SOFTENED EDGES

- 1 - SOFTENED EDGES
- 2 - PANEL ADHESIVE
- 3 - BONDING STRIP

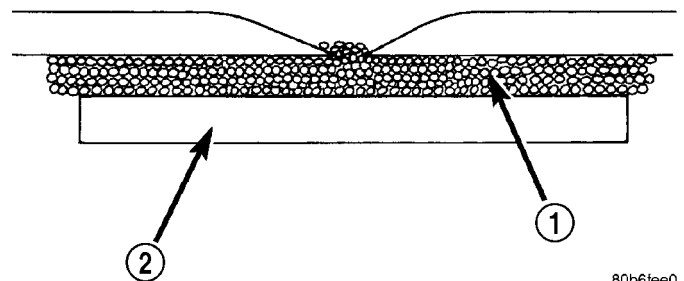


Fig. 3 PANEL REINFORCEMENT

- 1 - PANEL ADHESIVE
- 2 - REINFORCEMENT

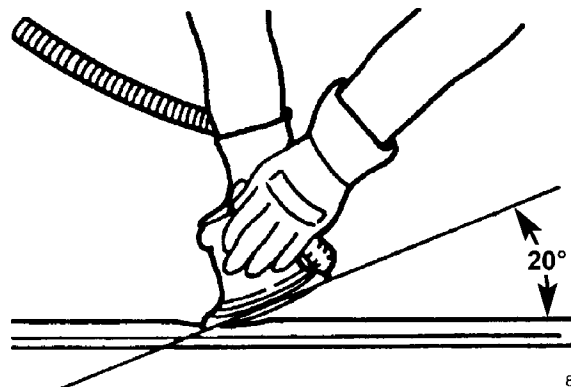


Fig. 4 BEVELING ANGLE - 20 DEGREE

- Panel repair for both flexible and rigid panels are basically the same. The primary difference between flexible panel repair and rigid panel repair is in the adhesive materials used (Fig. 5).

- The technician should first decide what needs to be done when working on any type of body panel. One should determine if it is possible to return the damage part to its original strength and appearance without exceeding the value of the replacement part.

- When plastic repairs are required, it is recommended that the part be left on the vehicle when every possible. That will save time, and the panel

will remain stationary during the repair. Misalignment can cause stress in the repair areas and can result in future failure.

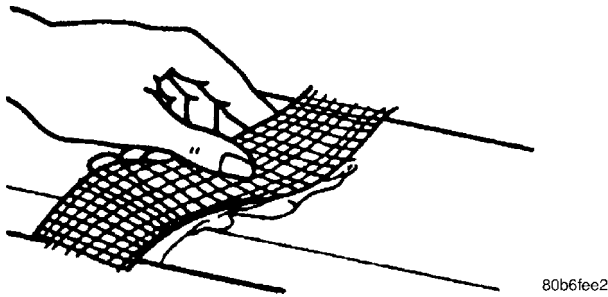


Fig. 5 FIBERGLASS TAPE

VISUAL INSPECTION

Composite materials can mask the severity of an accident. Adhesive bond lines, interior structure of the doors, and steel structures need to be inspected carefully to get a true damage assessment. Close inspection may require partial removal of interior trim or inner panels.

Identify the type of repair: Puncture or Crack - Damage that has penetrated completely through the panel. Damage is confined to one general area; a panel section is not required. However, a backer panel, open fiberglass tape, or matted material must be bonded from behind (Fig. 7) (Fig. 6).

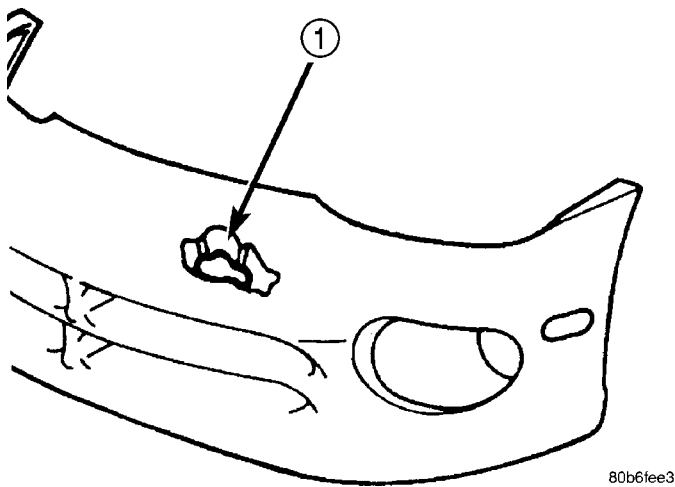


Fig. 6 DAMAGE COMPONENT

1 - PUNCTURE

PANEL SURFACE PREPARATION

If a body panel has been punctured, cracked, or crushed, the damaged area must be removed from the panel to achieve a successful repair. All spider web cracks leading away from a damaged area must be stopped or removed. To stop a running crack in a panel, drill a 6 mm (0.250 in.) hole at the end of the crack farthest away from the damage. If spider web cracks can not be stopped, the panel would require replacement. The surfaces around the damaged area should be stripped of paint and freed from wax and

oil. Scuff surfaces around repair area with 360 grit wet/dry sandpaper, or equivalent, to assure adhesion of repair materials.

PATCHING PANELS

An panel that has extensive puncture type damage can be repaired by cutting out the damaged material (Fig. 7). Use a suitable reciprocating saw or cut off wheel to remove the section of the panel that is damaged. The piece cut out can be used as a template to shape the new patch. It is not necessary to have access to the back of the panel to install a patch. Bevel edges of cutout at 20 degrees to expose a larger bonding area on the outer side. This will allow for an increased reinforcement areas.

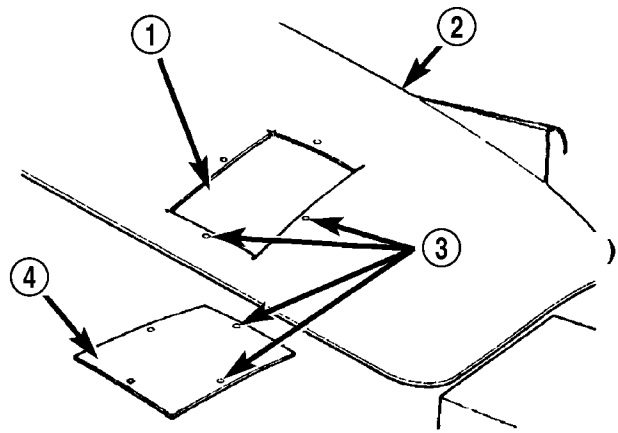


Fig. 7 DAMAGED PANEL CUTOUT AND PATCH

- 1 - CUTOUT
- 2 - DAMAGED BODY PANEL
- 3 - 4 MM (0.160 IN.) HOLES
- 4 - PATCH CUT TO SIZE

PANEL PATCH FABRICATIONS

A patch can be fabricated from any rigid fiberglass panel that has comparable contour with the repair area. Lift gates and fenders can be used to supply patch material. If existing material is not available or compatible, a patch can be constructed with adhesive and reinforcement mesh (dry wall tape). Perform the following operation if required:

- (1) Cover waxed paper or plastic with adhesive backed nylon mesh (dry wall tape) larger than the patch required (Fig. 8).
- (2) Tape waxed paper or plastic sheet with mesh to a surface that has a compatible contour to the repair area.
- (3) Apply a liberal coat of adhesive over the reinforcement mesh (Fig. 8). If necessary apply a second or third coat of adhesive and mesh after first coat has cured. The thickness of the patch should be the same as the repair area.
- (4) After patch has cured, peel waxed paper or plastic from the back of the patch.

(5) If desired, a thin film coat of adhesive can be applied to the back of the patch to cover mesh for added strength.

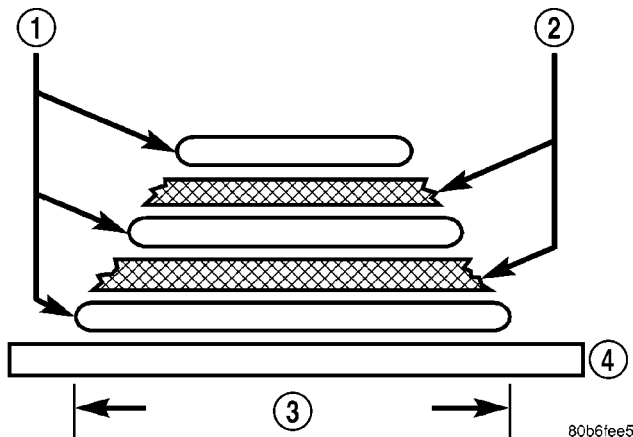


Fig. 8 FABRICATED PANEL

- 1 - STRUCTURAL ADHESIVE
- 2 - FIBERGLASS CLOTH OR FIBERGLASS MESH TAPE
- 3 - WIDTH OF V-GROOVE
- 4 - WAXED PAPER

PANEL PATCH INSTALLATION

(1) Make a paper or cardboard pattern the size and shape of the cutout hole in the panel.

(2) Trim 3 mm (0.125 in.) from edges of pattern so patch will have a gap between connecting surfaces.

(3) Using the pattern as a guide, cut the patch to size.

(4) Cut scrap pieces of patch material into 50 mm (2 in.) squares to use as patch supports to sustain the patch in the cutout.

(5) Drill 4 mm (0.160 in.) holes 13 mm (0.5 in.) in from edge of cutout hole (Fig. 7).

(6) Drill 4 mm (0.160 in.) holes 13 mm (0.5 in.) away from edge of patch across from holes drilled around cutout.

(7) Drill 3 mm (0.125 in.) holes in the support squares 13 mm (0.5 in.) from the edge in the center of one side.

(8) Scuff the backside of the body panel around the cutout hole with a scuff pad or sandpaper.

(9) Mix enough adhesive to cover one side of all support squares.

(10) Apply adhesive to cover one side of all support squares.

(11) Using number 8 sheet metal screws, secure support squares to back side of body panel with adhesive sandwiched between the panel and squares (Fig. 9).

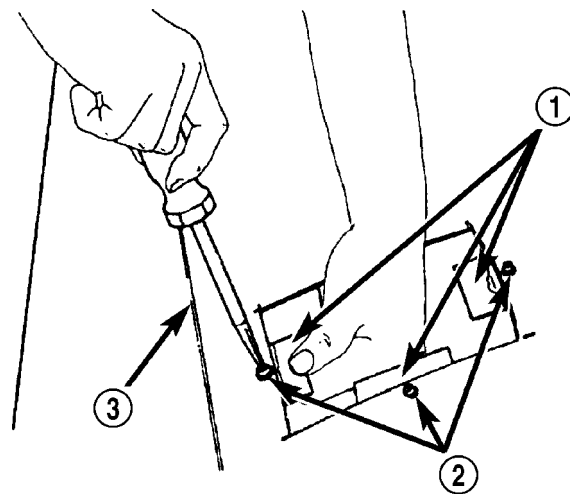


Fig. 9 SECURE SUPPORT SQUARES TO BODY PANEL

- 1 - SUPPORT SQUARES
- 2 - SCREWS
- 3 - DAMAGED BODY PANEL

(12) Position patch in cutout against support squares and adjust patch until the gap is equal along all sides (Fig. 10).

(13) Drill 3 mm (0.125 in.) holes in the support squares through the pre-drilled holes in the patch.

(14) Apply a coat of adhesive to the exposed ends of the support squares (Fig. 11).

(15) Install screws to hold the patch to support squares (Fig. 12). Tighten screws until patch surface is flush with panel surface.

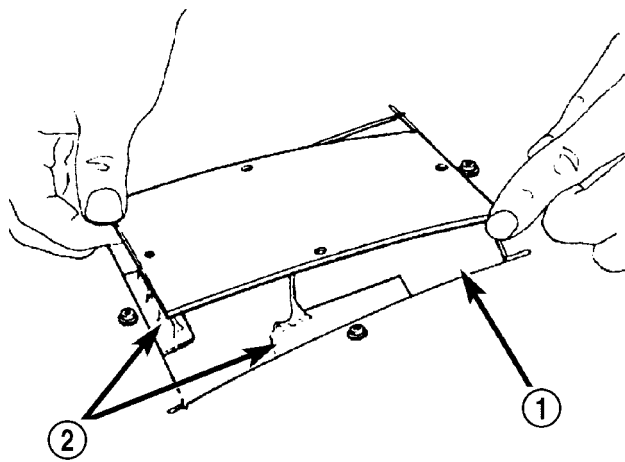
(16) Allow adhesive to cure, and remove all screws.

(17) Using a 125 mm (5 in.) 24 grit disc grinder, grind a 50 mm (2 in.) to 75 mm (3 in.) wide and 2 mm (0.080 in.) deep path across the gaps around the patch (Fig. 13). With compressed air, blow dust from around patch.

(18) Apply adhesive backed nylon mesh (dry wall tape) over gaps around patch (Fig. 14).

(19) Mix enough adhesive to cover the entire patch area.

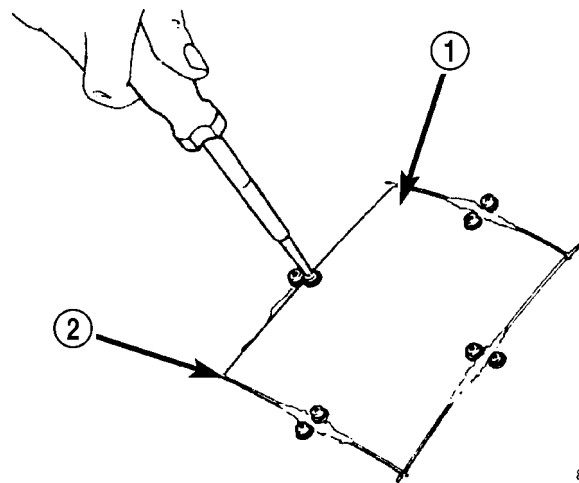
(20) Apply adhesive over the mesh around patch, and smooth epoxy with a wide spreader to reduce finish grinding. Use two to three layers of mesh and adhesive to create a stronger repair (Fig. 15).



80b6fee8

Fig. 10 POSITION PATCH IN CUTOUT AND ALIGN

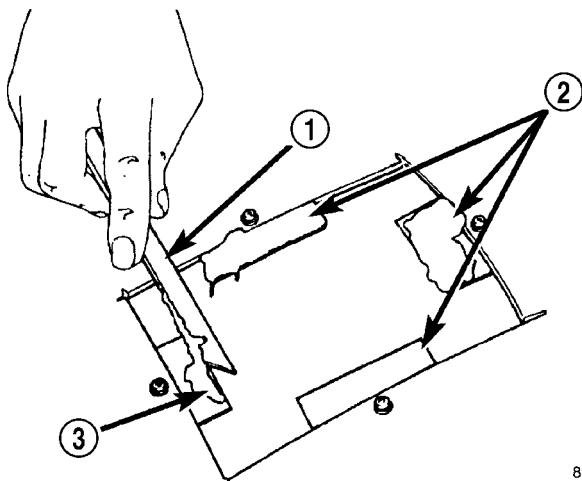
- 1 - CUTOUT
- 2 - SUPPORT SQUARES



80b6fee9

Fig. 12 INSTALL SCREWS

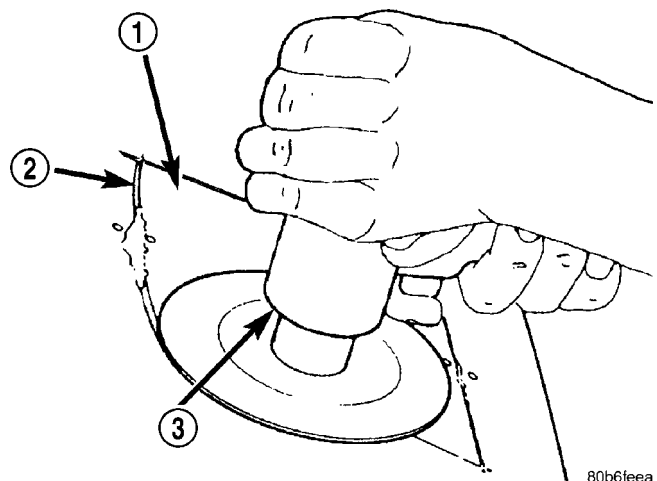
- 1 - PATCH
- 2 - GAP



80b6fee7

Fig. 11 APPLY ADHESIVE TO SUPPORT SQUARES

- 1 - APPLICATOR
- 2 - SUPPORT SQUARES
- 3 - ADHESIVE



80b6fee a

Fig. 13 GRIND SURFACE

- 1 - PATCH
- 2 - GAP
- 3 - DISC GRINDER

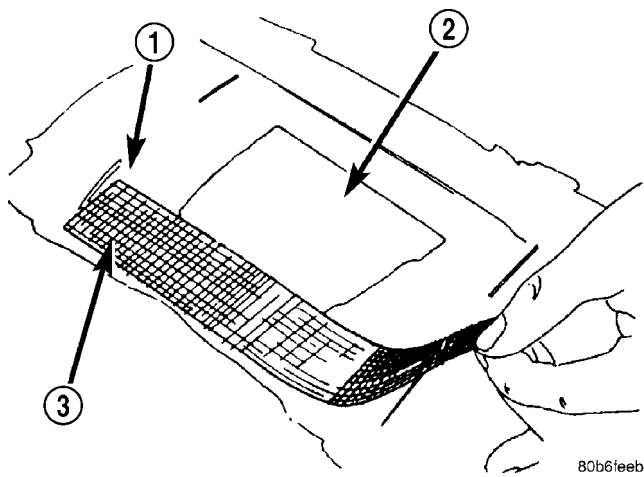


Fig. 14 COVER GAPS WITH MESH

- 1 - GROUND DOWN AREA
- 2 - PATCH
- 3 - MESH

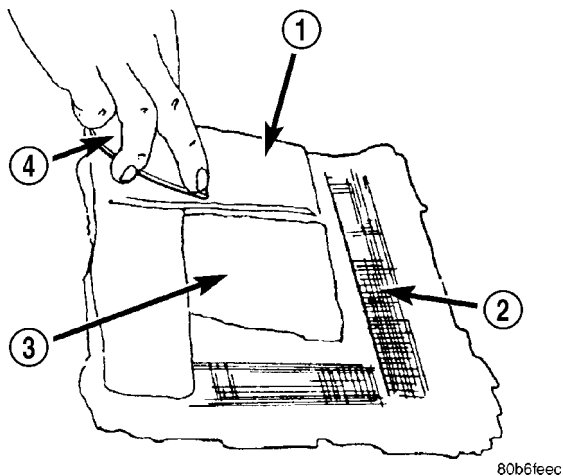


Fig. 15 COVER MESH WITH ADHESIVE

- 1 - ADHESIVE
- 2 - MESH
- 3 - PATCH
- 4 - SPREADER

PATCHED PANEL SURFACING

After patch panel is installed, the patch area can be finished using the same methods as finishing other types of body panels. If mesh material is exposed in the patched area, grind surface down, and apply a coat of high quality rigid plastic body filler. Prime, block sand, and paint as required.

STANDARD PROCEDURE - BUZZ, SQUEAK & RATTLE

Buzz, Squeak & Rattles (BSR) may be caused by any one or more of the following and may be corrected as indicated:

- Loose fasteners should be tightened to specifications.
- Damaged or missing clips should be replaced.
- Damaged trim panels should be replaced.
- Incorrectly installed trim panels should be reinstalled properly.

Many BSR complaints such as loose trim, can be serviced using the Mopar® Parts BSR Noise Reduction Kit. This kit contains various tapes including foam, flock and anti-squeak used to eliminate noises caused by metal, plastic and vinyl components. Long life lubricants and greases can also be used on a variety of components. Refer to the Buzz, Squeak & Rattle Kit table for material contents and usage.

BUZZ, SQUEAK & RATTLE KIT

ITEM	FEATURES	APPLICATIONS	SERVICE TEMP
Itch And Squeak Tape	An abrasion resistant material thin enough to conform to most irregular surfaces. Stops most itches and squeaks.	Between metal and metal, metal and plastic, metal and vinyl, vinyl and plastic. Interior. Examples: Trim panels and bezels.	-40° to 225° Fahrenheit (-40° to 107° Celsius)
Black Nylon Flock	Nylon Flock with an aggressive acrylic adhesive. Provides for cushioning and compression fit, also isolates components. Water-resistant.	Between metal and metal, metal and plastic, vinyl and plastic. Examples: Pull cups, bezels, clips, ducts, top cover to glass, cowl panel.	-40° to 180° Fahrenheit (-40° to 82° Celsius)

ITEM	FEATURES	APPLICATIONS	SERVICE TEMP
High Density Urethane Foam	Tear resistant, highly resilient and durable.	Between metal and metal, metal and plastic. Water-resistant. Examples: I/P, heavy metal rattles, isolating brackets.	-40° to 180° Fahrenheit (-40° to 82° Celsius)
Open Cell Foam Tape	Soft foam conforms to irregular surfaces.	Wire harness and connector wrap. Examples: Seals, gasket, wiring, heat ducts.	-40° to 180° Fahrenheit (-40° to 82° Celsius)
Closed Cell Low Density Foam Tape	Soft, conformable. Water-resistant.	Wherever bulk is needed. Prevents closing flutters and rattles when applied to door watershield. Examples: Door, I/P.	-40° to 180° Fahrenheit (-40° to 82° Celsius)
NYE® Grease 880	Long life.	Suspensions. Examples: Strut busings, sway bars.	-40° to 390° Fahrenheit (-40° to 200° Celsius)
Krytox® Oil	Long life. Will not dry out or harm plastics or rubber.	When access is not possible, oil will migrate to condition. Vinyl, rubber, plastic, metal. Examples: Convertible top bushings, pull cups trim panel inserts.	-30° to 400° Fahrenheit (-34° to 205° Celsius)
Krytox® Grease	Long life. Will not dry out or harm plastics or rubber.	Vinyl, rubber, plastic, metal, glass. Examples: Weather-strips, backlite and windshield moldings.	-30° to 400° Fahrenheit (-34° to 205° Celsius)

SPECIFICATIONS

TORQUE SPECIFICATIONS

DESCRIPTION	N-m	Ft. Lbs.	In. Lbs.
Front door check bracket bolt/nut	6	—	53
Front door check to a-pillar M6 bolts	10	—	89
Front door check to a-pillar M8 bolts	35	26	—
Front door check to door fasteners	10	—	89
Front door exterior handle	10	—	89
Front door hinge bolts	25	18	—
Front door latch assembly bolts	10	—	89
Front door latch striker bolts	28	18	—
Front door regulator carrier plate bolts	10	—	89
Front door reinforcement bolts	21	15	—
Front door striker bolts	25	18	—
Front seat back mounting bolts	20	15	—
Front seat back stop bolt	20	15	—
Front seat mounting bolts	25	18	—
Hood hinge bolts/nuts	23	17	—

DESCRIPTION	N-m	Ft. Lbs.	In. Lbs.
Lower seat belt anchor bolt	35	26	—
Radiator crossmember bolts	14	10	—
Rear door check bolts	10	—	89
Rear door exterior handle bolts	10	—	89
Rear door hinge bolts	25	18	—
Rear door upper closing wedge screws	10	—	89
Side view mirror bolts	25	18	—
Sliding door center guide rail end piece screws	10	—	89
Sliding door center roller arm bolt	45	33	—
Sliding door center track bolts/nuts	10	—	89
Sliding door inside handle screw	10	—	89
Sliding door latch screws	10	—	89
Sliding door latch/lock control bolts	10	—	89
Sliding door lower roller arm to door screws	25	18	—
Sliding door reinforcement bolts	21	15	—
Sliding door stabilizer screws	10	—	89
Sliding door stop bumper screws	10	—	89
Sliding door striker	25	18	—
Sliding door upper roller arm to door screws	25	18	—
Steering column support bolts	25	18	—

DOOR - FRONT

TABLE OF CONTENTS

	page		page
CHECK		INSTALLATION	18
REMOVAL	13	LATCH STRIKER	
INSTALLATION	13	REMOVAL	18
DOOR		INSTALLATION	18
REMOVAL	14	LOCK CYLINDER	
INSTALLATION	14	REMOVAL	18
ADJUSTMENTS		INSTALLATION	18
ADJUSTMENT	15	TRIM PANEL	
DOOR GLASS		REMOVAL	18
REMOVAL	15	INSTALLATION	20
INSTALLATION	15	WINDOW REGULATOR - POWER	
EXTERIOR HANDLE		REMOVAL	20
REMOVAL	16	INSTALLATION	21
INSTALLATION	16	WINDOW REGULATOR - MANUAL	
HINGE		REMOVAL	21
REMOVAL	17	INSTALLATION	22
INSTALLATION	17		
LATCH			
REMOVAL	18		

CHECK

REMOVAL

- (1) Disconnect and isolate the battery negative cable.
- (2) Remove trim panel. (Refer to 23 - BODY/DOOR - FRONT/TRIM PANEL - REMOVAL)
- (3) Remove a-pillar bolts. (Fig. 1)

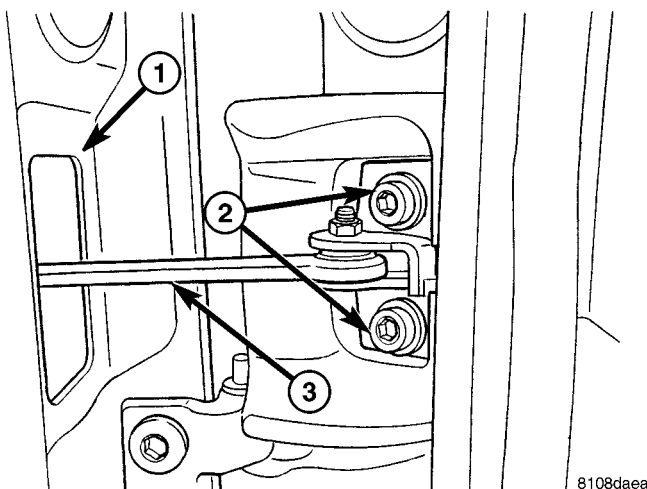


Fig. 1 FRONT DOOR CHECK - BODY

- 1 - DOOR
- 2 - A-PILLAR BOLTS
- 3 - DOOR CHECK

- (4) Remove the bolt/nut and remove check bracket. (Fig. 2)

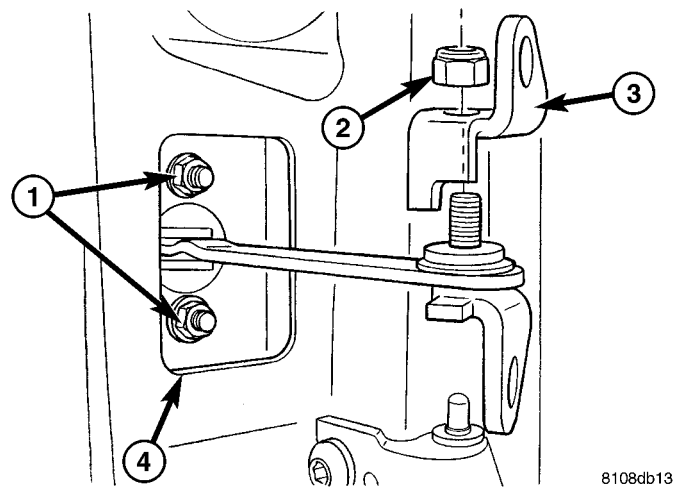


Fig. 2 FRONT DOOR CHECK - DOOR

- 1 - DOOR FASTENERS
- 2 - CHECK BRACKET NUT
- 3 - CHECK BRACKET
- 4 - DOOR OPENING

- (5) Remove the door fasteners and remove check from door.

INSTALLATION

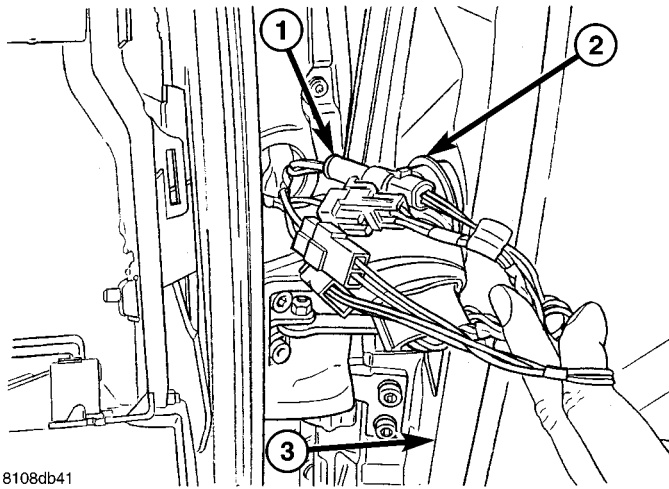
- (1) Install check through door opening and install the fasteners.
- (2) Tighten door fasteners to 10 N-m (89 in. lbs.).

- (3) Install bracket onto check and install bracket bolt/nut.
- (4) Tighten bracket bolt/nut to 6 N·m (53 in. lbs.).
- (5) Install check bracket onto a-pillar.
- (6) Apply Loctite® 243 sealant check strap bolts and install bolts.
- (7) Tighten the M8 bolts to 35 N·m (26 ft. lbs.) or tighten the M6 bolts to 10 N·m (89 in. lbs.).
- (8) Install trim panel. (Refer to 23 - BODY/DOOR - FRONT/TRIM PANEL - INSTALLATION)
- (9) Connect battery negative cable.

DOOR

REMOVAL

- (1) Disconnect and isolate battery negative cable.
- (2) Remove mirror. (Refer to 23 - BODY/EXTERIOR/SIDE VIEW MIRROR - REMOVAL)
- (3) Position aside the wiring boot and disconnect the electrical connectors. (Fig. 3)

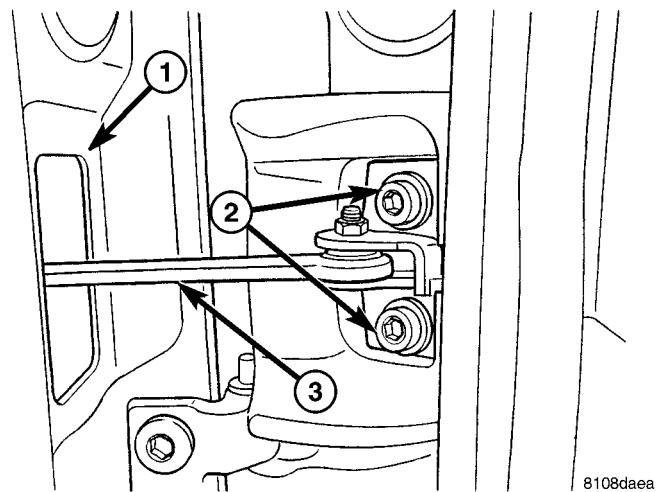


8108db41

Fig. 3 ELECTRICAL CONNECTORS

- 1 - ELECTRICAL CONNECTORS
- 2 - BOOT
- 3 - DOOR

- (4) Remove the bolts and disconnect the door check from the a-pillar. (Fig. 4)

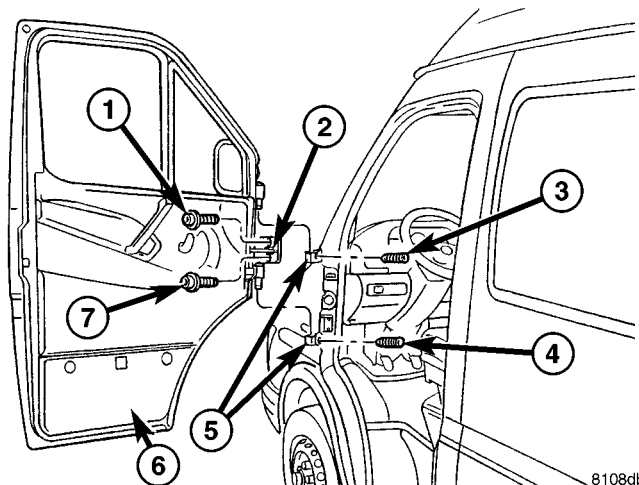


8108daea

Fig. 4 FRONT DOOR CHECK - BODY

- 1 - DOOR
- 2 - A-PILLAR BOLTS
- 3 - DOOR CHECK

- (5) Support door with a suitable device.
- (6) Loosen the hinge set screws. (Fig. 5)



8108db48

Fig. 5 FRONT DOOR

- 1 - UPPER CHECK BOLT
- 2 - DOOR CHECK
- 3 - UPPER HINGE SET SCREW
- 4 - LOWER HINGE SET SCREW
- 5 - HINGE RECEIVERS
- 6 - DOOR
- 7 - LOWER CHECK BOLT

- (7) Remove door by lifting off hinge pins.

INSTALLATION

- (1) Slide door into hinges.
- (2) Install set screws.
- (3) Install check bracket onto a-pillar.
- (4) Apply Loctite® 243 sealant check strap bolts and install bolts.
- (5) Tighten the M8 bolts to 35 N·m (26 ft. lbs.) or tighten the M6 bolts to 10 N·m (89 in. lbs.).
- (6) Connect all door electrical connectors and position boot back.

- (7) Install mirror. (Refer to 23 - BODY/EXTERIOR/SIDE VIEW MIRROR - INSTALLATION)
- (8) Adjust door if required. (Refer to 23 - BODY/DOOR - FRONT/DOOR - ADJUSTMENTS)
- (9) Connect battery negative cable.

ADJUSTMENTS

ADJUSTMENT

NOTE: Door adjustment measurements should be taken from stationary or welded body panels like the roof, rocker or quarter panels.

- During adjustment procedures, it is recommended that all the hinge fasteners be loosened except for the upper most fasteners. Adjustments can be made using the upper bolts to hold the door with final torque of the fasteners occurring after correct door positioning is achieved.

- A suitable body sealant should be used when removing or moving the hinges.

(1) Check door alignment. (Refer to 23 - BODY/BODY STRUCTURE/GAP AND FLUSH - SPECIFICATIONS)

(2) If adjustment is required, remove latch striker. (Refer to 23 - BODY/DOOR - FRONT/LATCH STRIKER - REMOVAL)

(3) Remove side view mirror. (Refer to 23 - BODY/EXTERIOR/SIDE VIEW MIRROR - REMOVAL)

(4) Loosen hinge bolts and adjust door gap and align ridge pattern as necessary.

(5) Tighten hinge bolts to 25 N·m (18 ft. lbs.).

(6) Install latch striker and adjust flush measurement as necessary. (Refer to 23 - BODY/DOOR - FRONT/LATCH STRIKER - INSTALLATION)

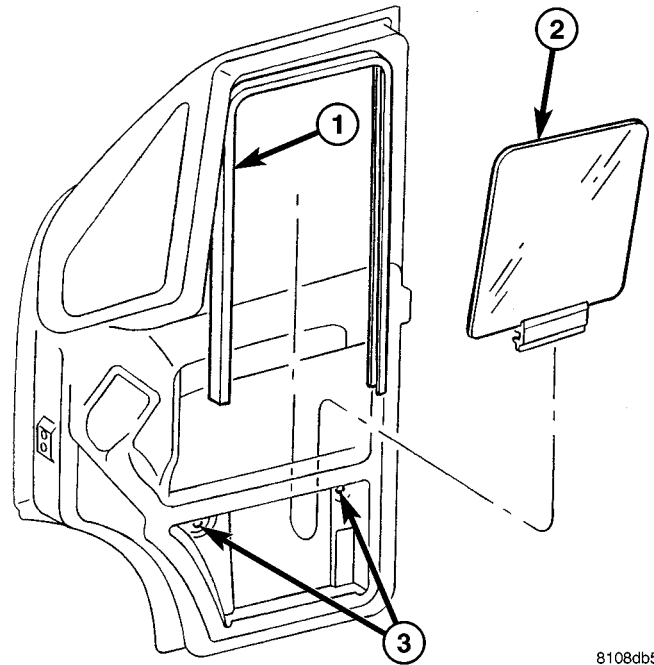
(7) Install side view mirror. (Refer to 23 - BODY/EXTERIOR/SIDE VIEW MIRROR - INSTALLATION)

DOOR GLASS

REMOVAL

(1) Remove the regulator. (Refer to 23 - BODY/DOOR - FRONT/WINDOW REGULATOR - POWER or MANUAL - REMOVAL)

(2) Remove reinforcement bolts. (Fig. 6)



8108db50

Fig. 6 FRONT DOOR GLASS

- 1 - DOOR RUN CHANNEL
- 2 - DOOR GLASS
- 3 - REINFORCEMENT BOLTS

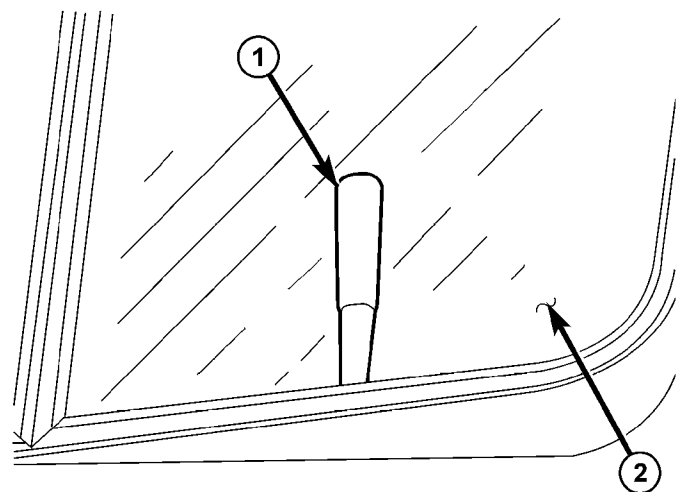
(3) Carefully lower glass into door and out of run channel.

(4) Remove glass from door.

INSTALLATION

(1) Carefully place glass into door and slide up into run channel.

(2) Using wood wedge, tape or equivalent, secure glass in the up position. (Fig. 7)



8111fd90

Fig. 7 GLASS SUPPORT

- 1 - WOOD WEDGE (or equivalent)
- 2 - WINDOW GLASS

(3) Install reinforcement and install the bolts.

(4) Tighten the reinforcement bolts to 21 N·m (18 ft. lbs.).

(5) Install the regulator. (Refer to 23 - BODY/DOOR - FRONT/WINDOW REGULATOR - POWER or MANUAL - INSTALLATION)

EXTERIOR HANDLE

REMOVAL

(1) Remove handle bolt. (Fig. 8)

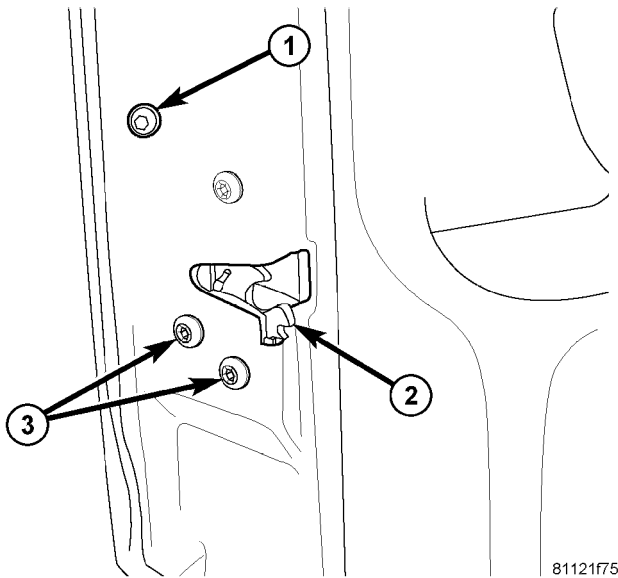


Fig. 8 LATCH/HANDLE FASTENERS

- 1 - EXTERIOR HANDLE BOLT
- 2 - LATCH
- 3 - LATCH BOLTS (3)

(2) Slide handle assembly towards front of door. (Fig. 9)

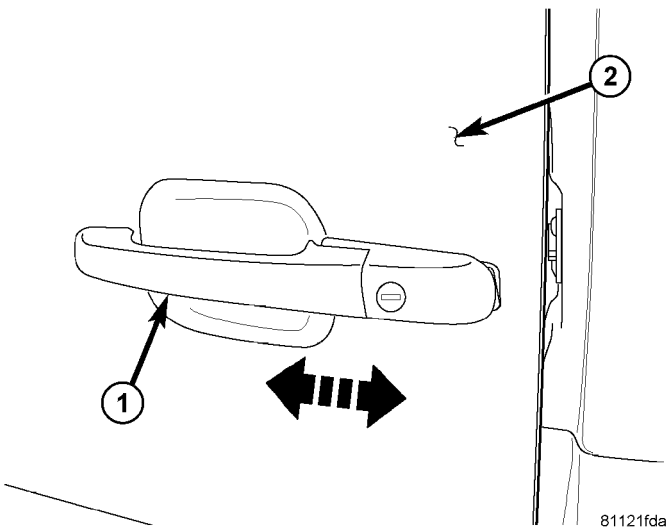


Fig. 9 EXTERIOR HANDLE

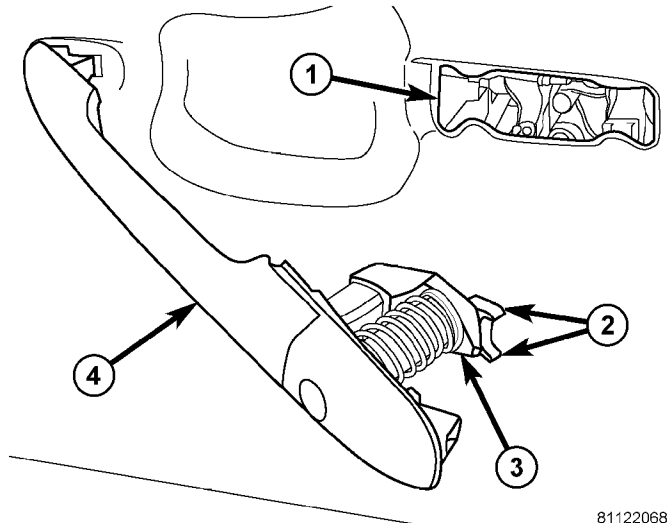
- 1 - EXTERIOR HANDLE
- 2 - DOOR

(3) Pull rear of handle out away from door and disengage the latch levers.

(4) Slide handle towards the rear of door and remove.

INSTALLATION

(1) Position front of handle into front slot in door. (Fig. 10)

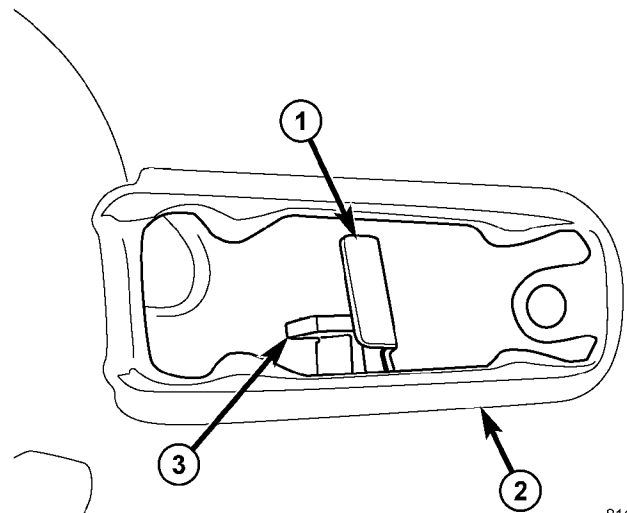


81122068

Fig. 10 EXTERIOR HANDLE INSTALLATION

- 1 - DOOR LATCH OPENING
- 2 - LOCK ACTUATION LEVER
- 3 - LATCH ACTUATION LEVER
- 4 - EXTERIOR HANDLE

(2) Position rear of handle into latch opening and engage lock and latch actuation levers with the latch levers. (Fig. 11)



8112206c

Fig. 11 LATCH LEVERS

- 1 - LATCH LEVER
- 2 - LATCH OPENING
- 3 - LOCK LEVER

(3) Slide exterior handle towards rear of door and install bolt. (Fig. 12)

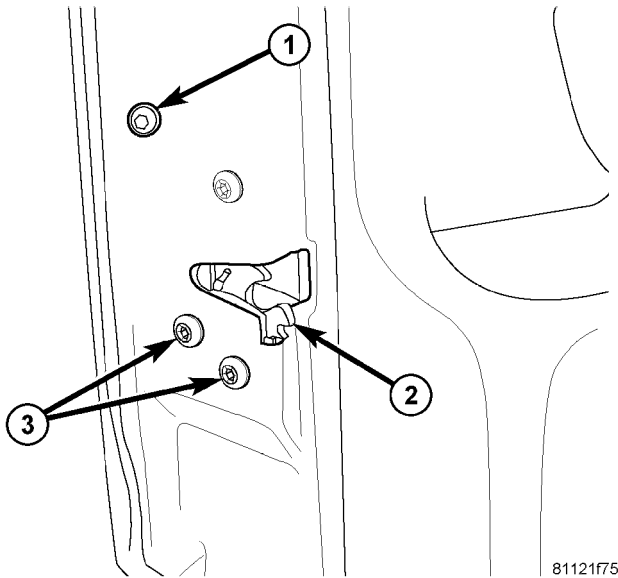


Fig. 12 EXTERIOR HANDLE

- 1 - EXTERIOR HANDLE BOLT
- 2 - LATCH
- 3 - LATCH BOLTS (3)

(4) Tighten bolt to 10 N·m (89 in. lbs.).

HINGE

REMOVAL

NOTE: It is not necessary to remove the door to replace the hinges if they are replaced one at a time.

- (1) Using a grease pencil or equivalent, mark the position of the hinge on the door.
- (2) Remove side view mirror. (Refer to 23 - BODY/ EXTERIOR/SIDE VIEW MIRROR - REMOVAL)
- (3) Loosen hinge set bolts. (Fig. 13)

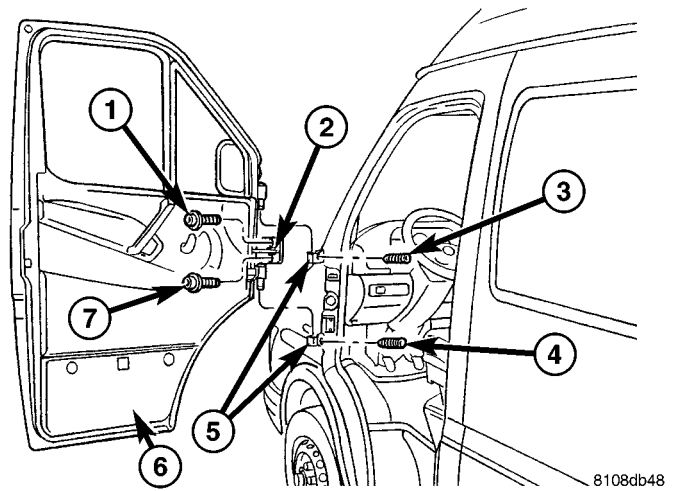


Fig. 13 FRONT DOOR

- 1 - UPPER CHECK BOLT
- 2 - DOOR CHECK
- 3 - UPPER HINGE SET SCREW
- 4 - LOWER HINGE SET SCREW
- 5 - HINGE RECEIVERS
- 6 - DOOR
- 7 - LOWER CHECK BOLT

(4) Remove hinge bolts and remove hinge. (Fig. 14)

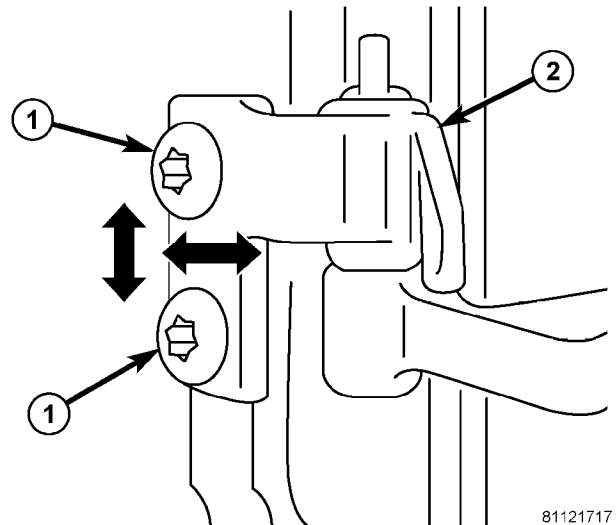


Fig. 14 HINGE

- 1 - HINGE BOLTS
- 2 - DOOR HINGE

INSTALLATION

- (1) Install hinge and install bolts.
- (2) Tighten bolts to 25 N·m (18 ft. lbs.).
- (3) Tighten hinge set bolts.
- (4) Install side view mirror. (Refer to 23 - BODY/ EXTERIOR/SIDE VIEW MIRROR - INSTALLATION)
- (5) Adjust door if necessary. (Refer to 23 - BODY/ DOOR - FRONT/DOOR - ADJUSTMENTS)

LATCH

REMOVAL

- (1) Remove trim panel. (Refer to 23 - BODY/DOOR - FRONT/TRIM PANEL - REMOVAL)
- (2) Remove exterior handle. (Refer to 23 - BODY/DOOR - FRONT/EXTERIOR HANDLE - REMOVAL)
- (3) Remove screws and remove latch assembly.
- (4) Disconnect electrical connector and control cable. (Fig. 15)

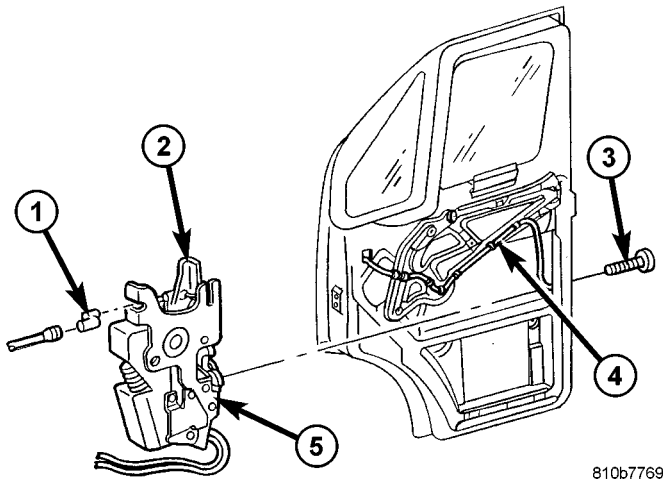


Fig. 15 FRONT DOOR LATCH

- 1 - CONTROL CABLE
- 2 - LATCH LEVER
- 3 - LATCH BOLTS (3)
- 4 - WIRE HARNESS
- 5 - LATCH ASSEMBLY

INSTALLATION

- (1) Connect electrical connectors and control cable.
- (2) Install latch and install bolts.
- (3) Tighten bolts to 10 N·m (89 in. lbs.).
- (4) Install exterior handle. (Refer to 23 - BODY/DOOR - FRONT/EXTERIOR HANDLE - INSTALLATION)
- (5) Install trim panel. (Refer to 23 - BODY/DOOR - FRONT/TRIM PANEL - INSTALLATION)

LATCH STRIKER

REMOVAL

- (1) Using a grease pencil or equivalent, mark the position of the striker to aid installation.
- (2) Remove the bolts and remove the striker. (Fig. 16)

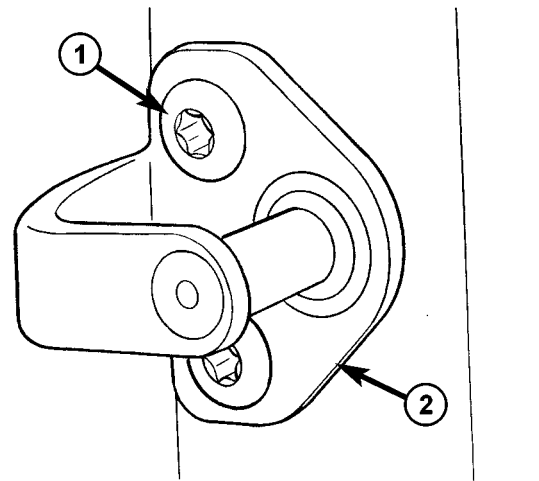


Fig. 16 LATCH STRIKER

- 1 - BOLTS
- 2 - STRIKER

INSTALLATION

- (1) Install striker and install bolts.
- (2) Tighten bolts to 25 N·m (18 ft. lbs.).
- (3) Check door for flush and adjust the striker horizontally if necessary. (Refer to 23 - BODY/BODY STRUCTURE/GAP AND FLUSH - SPECIFICATIONS)

LOCK CYLINDER

REMOVAL

- (1) Remove exterior door handle. (Refer to 23 - BODY/DOOR - FRONT/EXTERIOR HANDLE - REMOVAL)
- (2) Remove lock cylinder from handle.

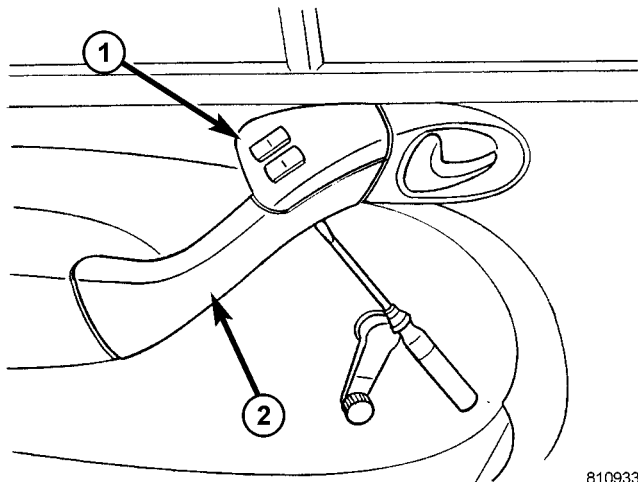
INSTALLATION

- (1) Install lock cylinder into exterior handle.
- (2) Install exterior handle. (Refer to 23 - BODY/DOOR - FRONT/EXTERIOR HANDLE - INSTALLATION)

TRIM PANEL

REMOVAL

- (1) Disconnect and isolate battery negative cable.
- (2) Using a small flat bladed tool or equivalent, press retaining clip upward through cutout in handle cover and remove cover. (Fig. 17)



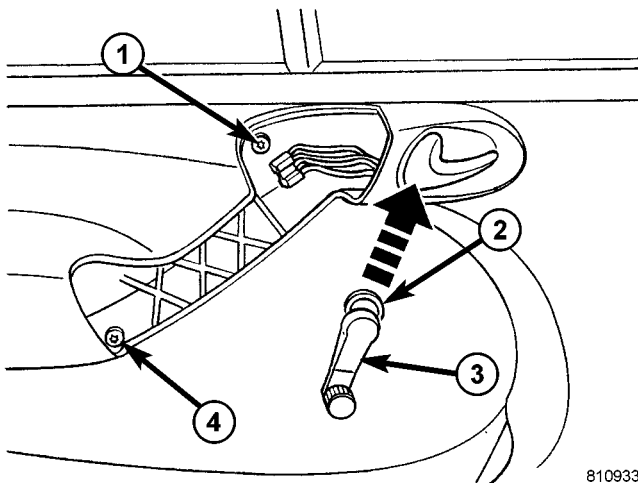
81093341

Fig. 17 TRIM PANEL HANDLE

- 1 - SWITCH BEZEL
- 2 - HANDLE COVER

(3) Remove switch bezel and disconnect electrical connectors.

(4) Remove the screws. (Fig. 18)



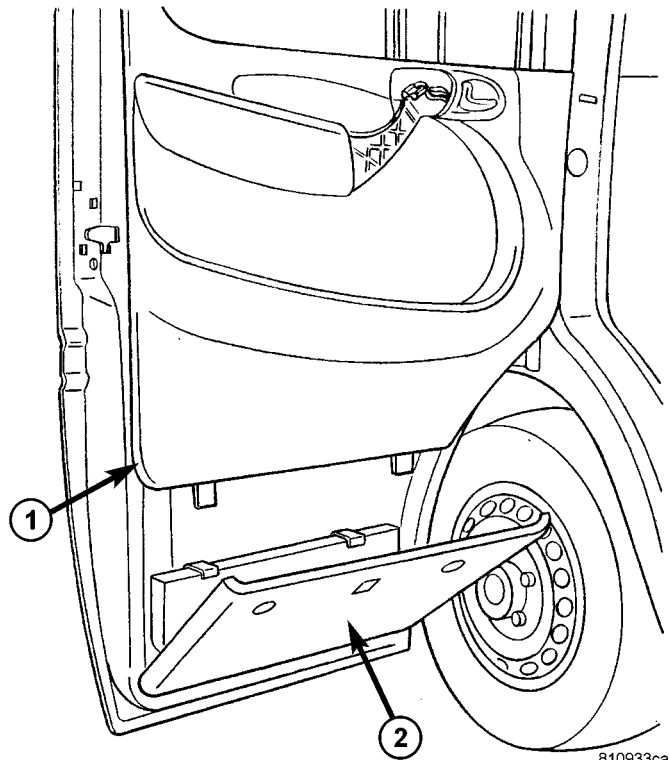
81093350

Fig. 18 TRIM PANEL FASTENERS

- 1 - UPPER SCREW
- 2 - WINDOW CRANK MOUNTING RING
- 3 - WINDOW CRANK
- 4 - LOWER SCREW

(5) Remove mounting ring and remove window crank, if equipped.

(6) Open pocket door. (Fig. 19)

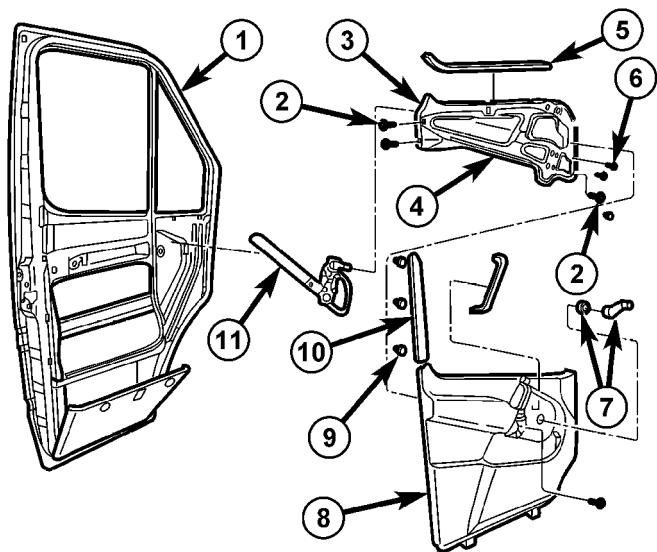


810933ca

Fig. 19 TRIM PANEL

- 1 - TRIM PANEL
- 2 - DOOR POCKET

(7) Using a trim stick C-4755 or equivalent, separate window frame molding from door. (Fig. 20)



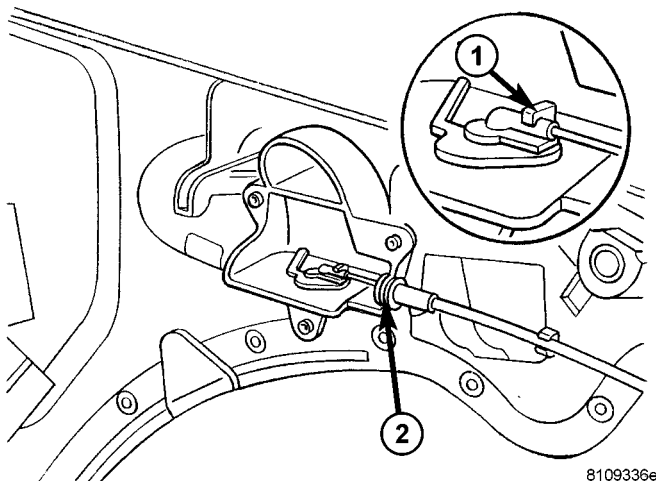
8111fd81

Fig. 20 MANUAL REGULATOR ASSEMBLY

- 1 - DOOR
- 2 - CARRIER PLATE BOLTS
- 3 - CARRIER PLATE
- 4 - REGULATOR ASSEMBLY
- 5 - SEALING STRIP
- 6 - REGULATOR RIVETS (4)
- 7 - WINDOW CRANK/TRIM RING
- 8 - TRIM PANEL
- 9 - CLIPS
- 10 - WINDOW FRAME MOLDING
- 11 - REGULATOR

(8) Slightly pull door trim upward and swing away slightly.

(9) Unlock retainer clip and disconnect control cable. (Fig. 21)



8109336e

Fig. 21 CONTROL CABLE

- 1 - RETAINER CLIP
- 2 - CONTROL CABLE MOUNTING

(10) Remove trim panel.

INSTALLATION

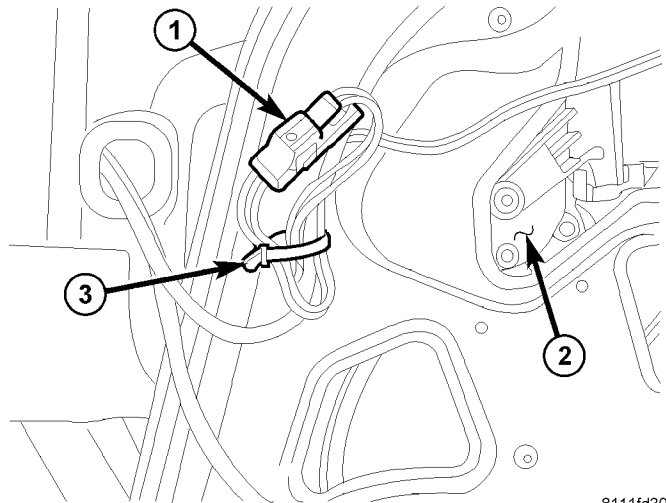
- (1) Position trim panel and connect control cable.
- (2) Install trim panel.

- (3) Position window frame molding and seat clips fully.
- (4) Close pocket door.
- (5) Install window crank and mounting ring, if equipped.
- (6) Install handle screws.
- (7) Connect electrical connectors and install switch bezel.
- (8) Install handle cover.
- (9) Connect battery negative cable.

WINDOW REGULATOR - POWER

REMOVAL

- (1) Lower front window approximately 2 cm (3/4 in.).
- (2) Disconnect and isolate battery negative cable.
- (3) Remove door trim panel. (Refer to 23 - BODY/DOOR - FRONT/TRIM PANEL - REMOVAL)
- (4) Disconnect electrical connector. (Fig. 22)

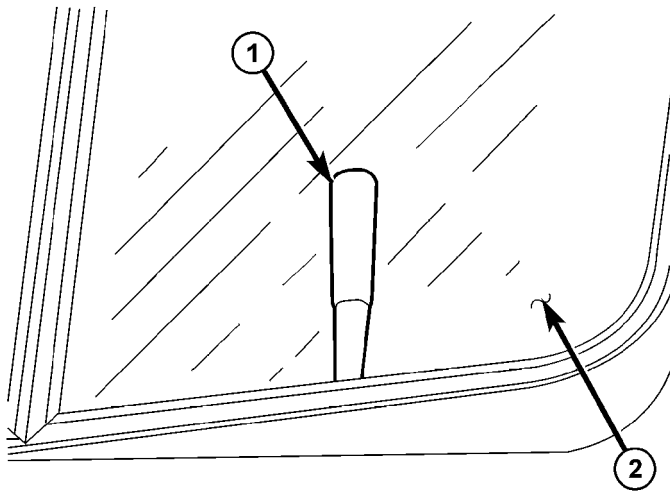


8111fd30

Fig. 22 ELECTRICAL CONNECTOR

- 1 - ELECTRICAL CONNECTOR
- 2 - REGULATOR MOTOR
- 3 - WIRE TIE

(5) Using wood wedge, tape or equivalent, secure glass in the up position. (Fig. 23)

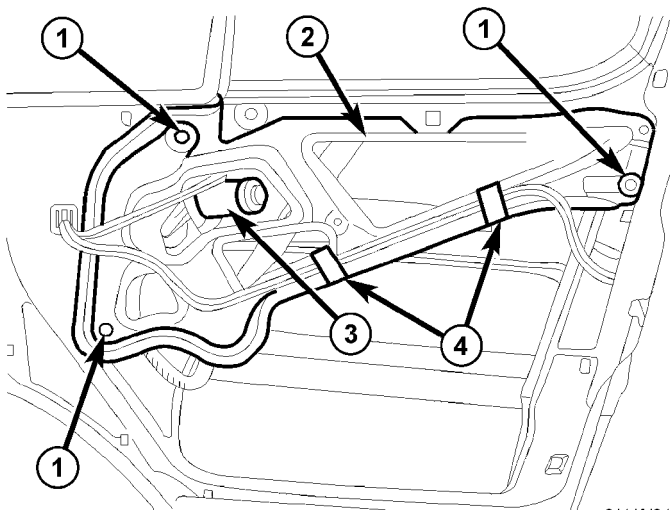


8111fd90

Fig. 23 GLASS SUPPORT

- 1 - WOOD WEDGE (or equivalent)
- 2 - WINDOW GLASS

(6) Remove tape securing wire harness to regulator assembly. (Fig. 24)



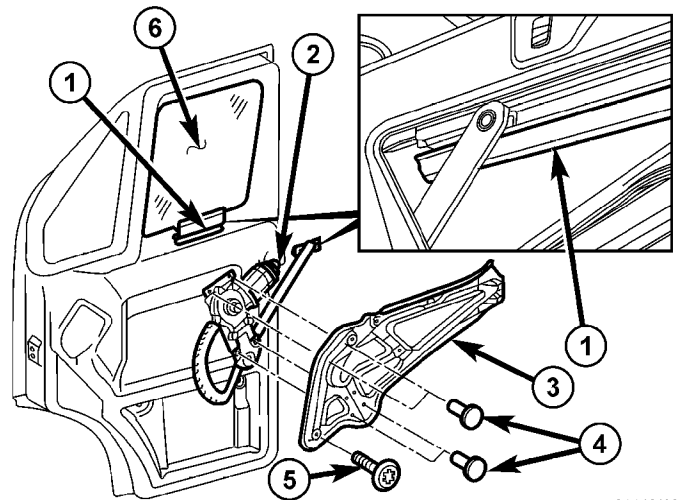
8111fd34

Fig. 24 REGULATOR ASSEMBLY MOUNTING

- 1 - CARRIER PLATE BOLTS (3)
- 2 - CARRIER PLATE
- 3 - REGULATOR MOTOR
- 4 - TAPE

(7) Remove carrier plate bolts.

(8) Disengage lift arm from glass guide rail and remove regulator assembly. (Fig. 25)



8111fd6f

Fig. 25 REGULATOR ASSEMBLY

- 1 - GUIDE RAIL
- 2 - REGULATOR
- 3 - CARRIER PLATE
- 4 - RIVETS (4)
- 5 - CARRIER PLATE BOLTS (3)
- 6 - WINDOW GLASS

(9) Remove four rivets attaching regulator to carrier plate and remove regulator.

INSTALLATION

(1) Install regulator onto carrier plate and install new rivets.

(2) Install regulator lift arm into glass guide rail and install regulator assembly.

(3) Install carrier bolts and tighten to 10 N-m (89 in. lbs.).

(4) Replace tape securing wire harness to regulator assembly.

(5) Remove glass support.

(6) Connect the electrical connector.

(7) Connect battery negative cable.

(8) Verify correct window operation.

(9) Install trim panel. (Refer to 23 - BODY/DOOR - FRONT/TRIM PANEL - INSTALLATION)

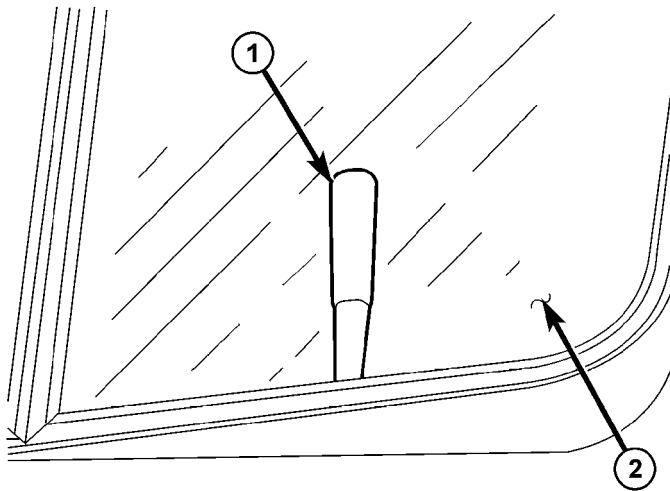
WINDOW REGULATOR - MANUAL

REMOVAL

(1) Disconnect and isolate battery negative cable.

(2) Remove door trim panel. (Refer to 23 - BODY/DOOR - FRONT/TRIM PANEL - REMOVAL)

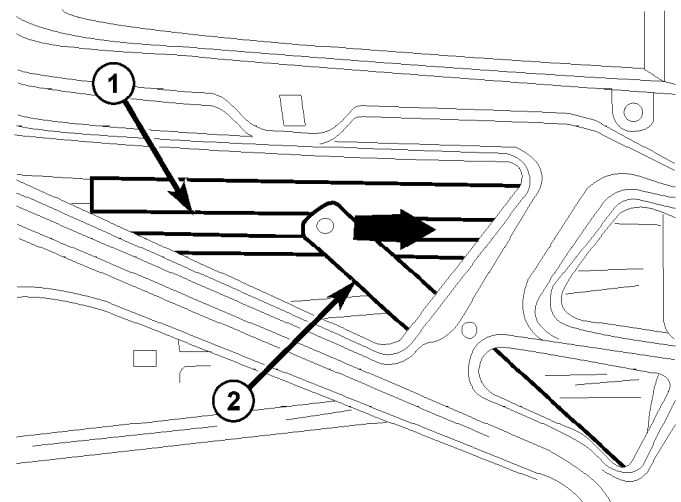
(3) Using wood wedge, tape or equivalent, secure glass in the up position. (Fig. 26)



8111fd90

Fig. 26 GLASS SUPPORT

- 1 - WOOD WEDGE (or equivalent)
- 2 - WINDOW GLASS

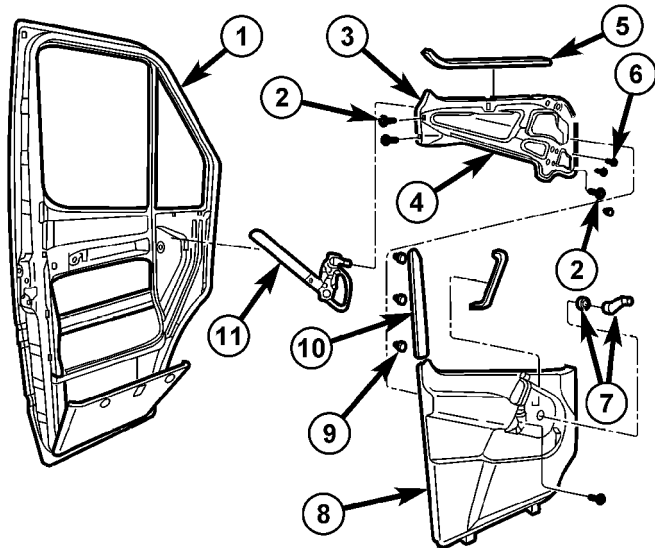


8111fd89

Fig. 28 LIFT ARM

- 1 - GLASS GUIDE RAIL
- 2 - LIFT ARM

(4) Remove carrier plate bolts. (Fig. 27)



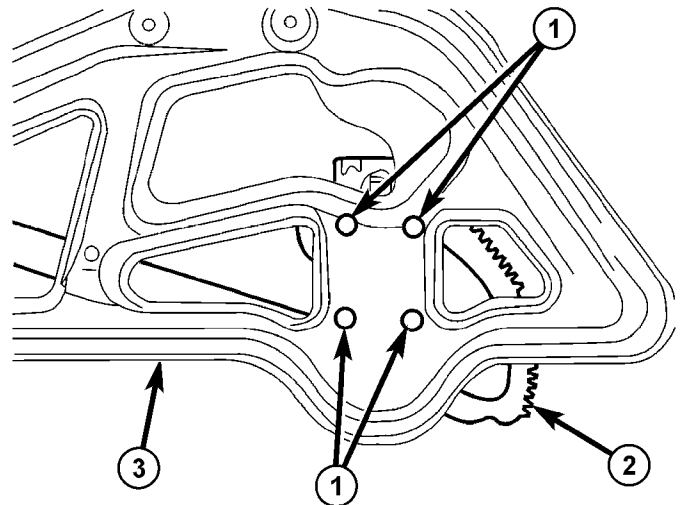
8111fd81

Fig. 27 MANUAL REGULATOR ASSEMBLY

- 1 - DOOR
- 2 - CARRIER PLATE BOLTS
- 3 - CARRIER PLATE
- 4 - REGULATOR ASSEMBLY
- 5 - SEALING STRIP
- 6 - REGULATOR RIVETS (4)
- 7 - WINDOW CRANK/TRIM RING
- 8 - TRIM PANEL
- 9 - CLIPS
- 10 - WINDOW FRAME MOLDING
- 11 - REGULATOR

(5) Disengage lift arm from glass guide rail and remove regulator assembly. (Fig. 28)

(6) Remove four rivets attaching regulator to carrier plate and remove regulator. (Fig. 29)



8111fdb9

Fig. 29 MANUAL REGULATOR FASTENERS

- 1 - RIVETS (4)
- 2 - REGULATOR
- 3 - CARRIER PLATE

INSTALLATION

- (1) Install regulator onto carrier plate and install new rivets.
- (2) Install regulator lift arm into glass guide rail and install regulator assembly.
- (3) Install carrier bolts and tighten to 10 N-m (89 in. lbs.).
- (4) Remove glass support.
- (5) Connect battery negative cable.
- (6) Verify correct window operation.
- (7) Install trim panel. (Refer to 23 - BODY/DOOR - FRONT/TRIM PANEL - INSTALLATION)

DOORS - REAR

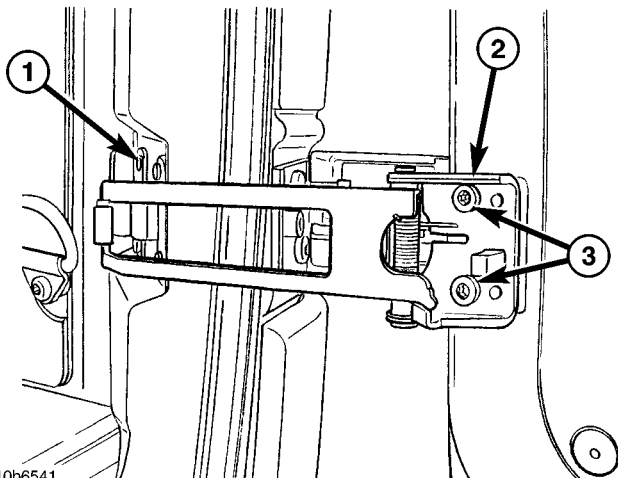
TABLE OF CONTENTS

	page		page
CHECK		INSTALLATION	31
REMOVAL	23	HINGE	
INSTALLATION	23	REMOVAL	32
DOOR		INSTALLATION	33
REMOVAL	23	INSIDE HANDLE ACTUATOR	
DISASSEMBLY	25	REMOVAL	33
ASSEMBLY	27	INSTALLATION	33
INSTALLATION	28	LATCH	
ADJUSTMENTS		REMOVAL	33
ADJUSTMENT	29	INSTALLATION	34
DOOR GLASS		TRIM PANEL	
REMOVAL	30	REMOVAL	34
INSTALLATION	30	INSTALLATION	34
EXTERIOR HANDLE			
REMOVAL	31		

CHECK

REMOVAL

- (1) Open door and disengage check arm from receiver. (Fig. 1)
- (2) Remove the screws and remove the check arm.
- (3) Remove the d-pillar trim, if equipped. (Refer to 23 - BODY/INTERIOR/D-PILLAR TRIM - REMOVAL)
- (4) Remove the rivets and remove the receiver.



810b6541

Fig. 1 DOOR CHECK

- 1 - RECEIVER
- 2 - DOOR CHECK
- 3 - SCREWS

INSTALLATION

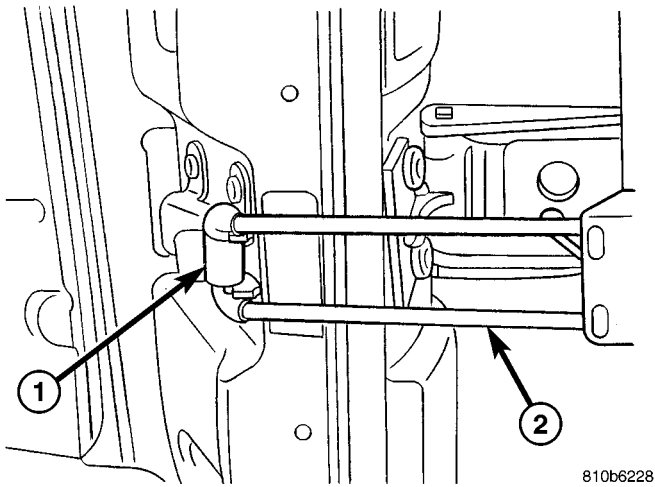
- (1) Install the receiver and replace the rivets.

- (2) Install d-pillar trim, if equipped. (Refer to 23 - BODY/INTERIOR/D-PILLAR TRIM - INSTALLATION)
- (3) Install check arm and screws.
- (4) Tighten the screws to 10 N-m (89 in. lbs.).

DOOR

REMOVAL

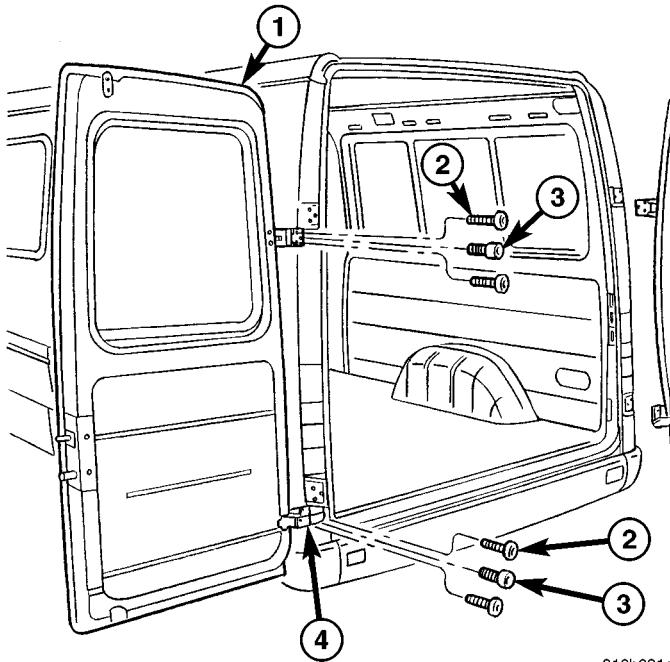
- (1) Disconnect and isolate battery negative cable.
- (2) Open door and disengage check arm from receiver. (Fig. 2)
- (3) Using a grease pencil or equivalent, mark the outline of the door hinges on the door to aid in installation.
- (4) Support door with a suitable lifting device.
- (5) Remove the bolts and remove the door. (Fig. 3)



810b6228

Fig. 2 CHECK STRAP

- 1 - RECEIVER
- 2 - DOOR CHECK



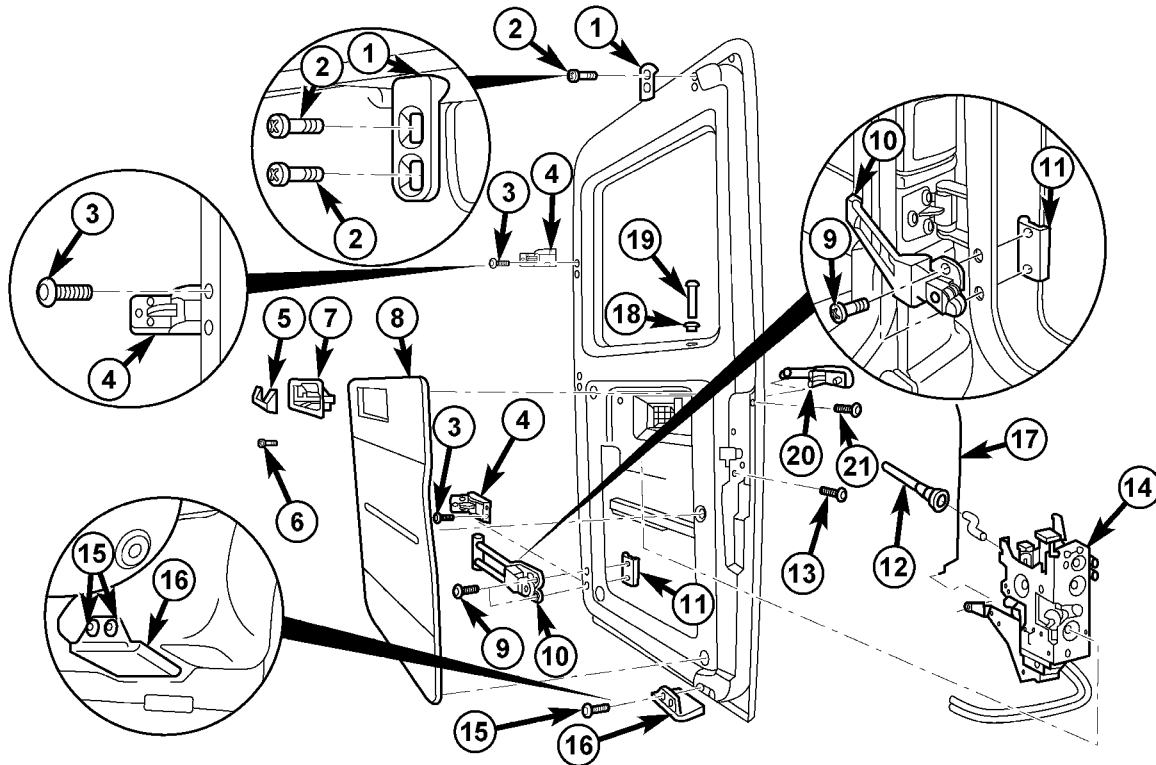
810b621d

Fig. 3 DOOR HINGES

- 1 - DOOR
- 2 - TORX BOLTS (2 PER HINGE)
- 3 - ALLEN BOLTS (1 PER HINGE)

DISASSEMBLY

RIGHT DOOR



81125d46

Fig. 4 RIGHT DOOR

- 1 - TOP CLOSING WEDGE
- 2 - BOLTS
- 3 - BOLTS (2)
- 4 - DOOR HINGE
- 5 - PANEL
- 6 - SCREW
- 7 - INNER ACTION
- 8 - PANELING
- 9 - BOLTS (2)
- 10 - DOOR CHECK
- 11 - THREADED PLATE

- 12 - DOOR LOCK LINKAGE
- 13 - BOLTS (3)
- 14 - LATCH ASSEMBLY
- 15 - RIVETS (2)
- 16 - BOTTOM CLOSING WEDGE
- 17 - LOCKING ROD
- 18 - GROMMET
- 19 - LOCKING KNOB
- 20 - EXTERIOR DOOR HANDLE
- 21 - SCREW

(1) Remove door. (Refer to 23 - BODY/DOORS - REAR/DOOR - REMOVAL)

(2) Remove trim panel (20) (Fig. 4). (Refer to 23 - BODY/DOORS - REAR/TRIM PANEL - REMOVAL)

(3) Remove latch assembly (14). (Refer to 23 - BODY/DOORS - REAR/LATCH - REMOVAL)

(4) Remove screws (21) from door handle (20).

(5) Slide door handle (20) to right and remove.

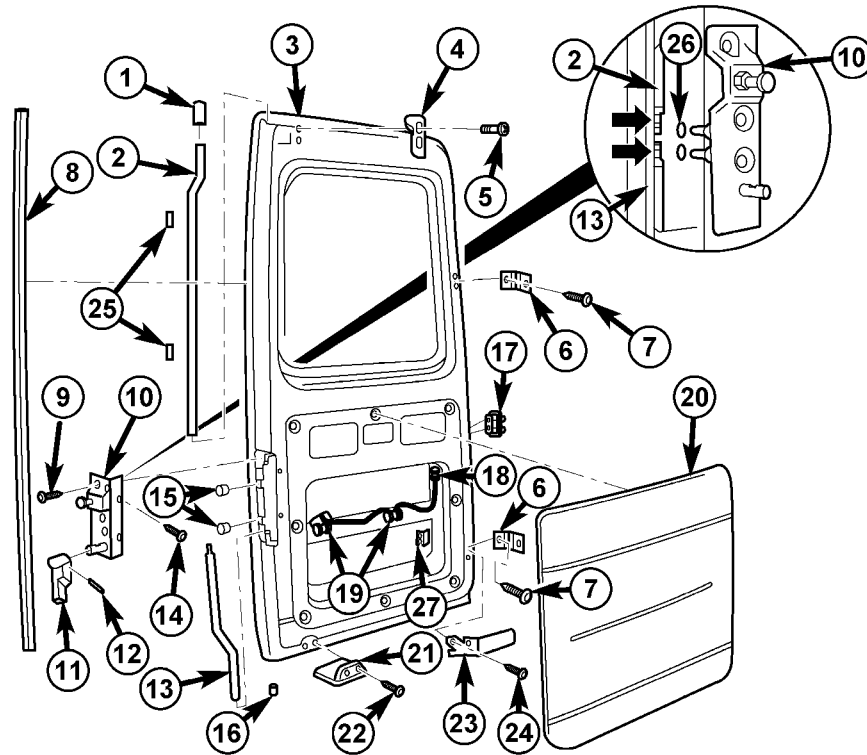
(6) Remove rivets (15) and remove closing wedge (16).

(7) Remove bolts (2) and remove top closing wedge (1).

(8) Remove bolts (9) and remove door check (10). (Refer to 23 - BODY/DOORS - REAR/CHECK - REMOVAL)

(9) Remove the bolts (3) and remove the door hinges (4). (Refer to 23 - BODY/DOORS - REAR/HINGE - INSTALLATION)

LEFT DOOR



81125d4a

Fig. 5 LEFT DOOR

- | | |
|--------------------------|-----------------------------|
| 1 - UPPER LOCK ROD GUIDE | 15 - CLIPS (2) |
| 2 - UPPER LOCK ROD | 16 - BOTTOM LOCK ROD GUIDE |
| 3 - LEFT REAR DOOR | 17 - SWITCHES |
| 4 - TOP CLOSING WEDGE | 18 - ELECTRICAL CONNECTOR |
| 5 - BOLTS (2) | 19 - LICENSE PLATE LIGHTING |
| 6 - HINGE | 20 - TRIM PANEL |
| 7 - BOLTS (2) | 21 - BOTTOM CLOSING WEDGE |
| 8 - REAR DOOR SEAL | 22 - RIVETS (2) |
| 9 - SCREWS (2) | 23 - DOOR CHECK |
| 10 - LOCK ROD ACTUATOR | 24 - BOLTS (2) |
| 11 - LOCK ROD HANDLE | 25 - FELT STRIP |
| 12 - ROLL PIN | 26 - O-RINGS (2) |
| 13 - BOTTOM LOCK ROD | 27 - THREADED PLATE |
| 14 - SCREWS (2) | |

(1) Remove door. (Refer to 23 - BODY/DOORS - REAR/DOOR - REMOVAL)

(2) Remove trim panel (20) (Fig. 5). (Refer to 23 - BODY/DOORS - REAR/TRIM PANEL - REMOVAL)

(3) Disconnect electrical connectors and remove license plate lighting (18, 19).

(4) Pull out switch and disconnect electrical connector (17).

(5) Remove and discard roll pin (12) and remove lock rod handle (11).

(6) Remove door check (23). (Refer to 23 - BODY/DOORS - REAR/CHECK - REMOVAL)

(7) Remove door hinge (6). (Refer to 23 - BODY/DOORS - REAR/HINGE - REMOVAL)

(8) Remove closing wedge (4).

(9) Remove rivets (22) and remove bottom closing wedge (21).

(10) Remove rear door seal (8).

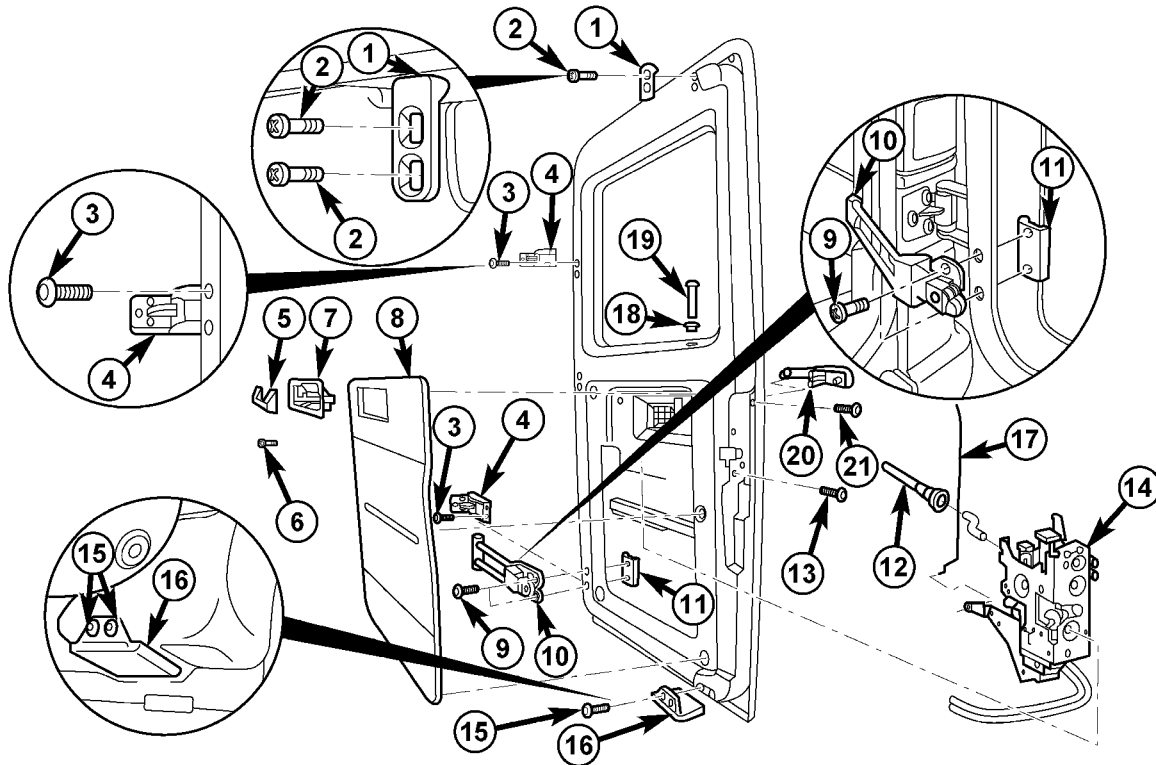
(11) Remove the four screws (9, 14) from the lock rod actuator.

(12) Using locking pliers, hold upper lock rod (2) and remove lock rod actuator.

(13) Remove clips (15).

(14) Pull out lock rod guides (1, 16) and remove lock rods (2, 13).

ASSEMBLY
RIGHT DOOR



81125d46

Fig. 6 RIGHT DOOR

- | | |
|--|---|
| <ul style="list-style-type: none"> 1 - TOP CLOSING WEDGE 2 - BOLTS 3 - BOLTS (2) 4 - DOOR HINGE 5 - PANEL 6 - SCREW 7 - INNER ACTION 8 - PANELING 9 - BOLTS (2) 10 - DOOR CHECK 11 - THREADED PLATE | <ul style="list-style-type: none"> 12 - DOOR LOCK LINKAGE 13 - BOLTS (3) 14 - LATCH ASSEMBLY 15 - RIVETS (2) 16 - BOTTOM CLOSING WEDGE 17 - LOCKING ROD 18 - GROMMET 19 - LOCKING KNOB 20 - EXTERIOR DOOR HANDLE 21 - SCREW |
|--|---|

(1) Install the door hinges (4) and bolts (3) (Fig. 6). (Refer to 23 - BODY/DOORS - REAR/HINGE - INSTALLATION)

(2) Install the door check (10) and bolts (9). (Refer to 23 - BODY/DOORS - REAR/CHECK - INSTALLATION)

(3) Install the top closing wedge (1) and bolts (2).

(4) Install the bottom closing wedge (16) and replace rivets (15).

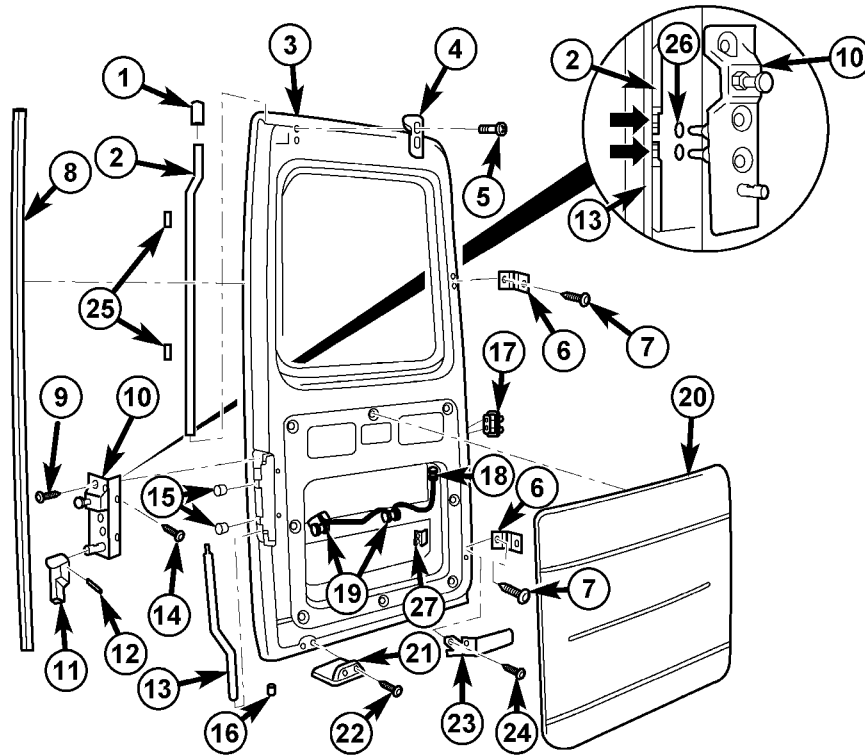
(5) Install the exterior handle (20). (Refer to 23 - BODY/DOORS - REAR/EXTERIOR HANDLE - INSTALLATION)

(6) Install the latch assembly (14). (Refer to 23 - BODY/DOORS - REAR/LATCH - INSTALLATION)

(7) Install trim panel (20). (Refer to 23 - BODY/DOORS - REAR/TRIM PANEL - INSTALLATION)

(8) Install door. (Refer to 23 - BODY/DOORS - REAR/DOOR - INSTALLATION)

LEFT DOOR



81125d4a

Fig. 7 LEFT DOOR

- | | |
|--------------------------|-----------------------------|
| 1 - UPPER LOCK ROD GUIDE | 15 - CLIPS (2) |
| 2 - UPPER LOCK ROD | 16 - BOTTOM LOCK ROD GUIDE |
| 3 - LEFT REAR DOOR | 17 - SWITCHES |
| 4 - TOP CLOSING WEDGE | 18 - ELECTRICAL CONNECTOR |
| 5 - BOLTS (2) | 19 - LICENSE PLATE LIGHTING |
| 6 - HINGE | 20 - TRIM PANEL |
| 7 - BOLTS (2) | 21 - BOTTOM CLOSING WEDGE |
| 8 - REAR DOOR SEAL | 22 - RIVETS (2) |
| 9 - SCREWS (2) | 23 - DOOR CHECK |
| 10 - LOCK ROD ACTUATOR | 24 - BOLTS (2) |
| 11 - LOCK ROD HANDLE | 25 - FELT STRIP |
| 12 - ROLL PIN | 26 - O-RINGS (2) |
| 13 - BOTTOM LOCK ROD | 27 - THREADED PLATE |
| 14 - SCREWS (2) | |

(1) Install lock rods (2, 13) and install lock rod guides (1, 16). (Fig. 7)

(2) Using locking pliers, hold upper lock rod (2) in place.

(3) Install clips (15).

(4) Install the lock rod actuator (10). The bolts should reach into the holes (arrows) of the lock rods (2, 13). Place an o-ring (dia. 6 mm) on each of the lock rod actuator bolts to prevent the lock rods from chattering against the lock.

(5) Install rear door seal.

(6) Install bottom closing wedge (21) and replace rivets (22).

(7) Install closing wedge (4).

(8) Install door hinge (6). (Refer to 23 - BODY/DOORS - REAR/HINGE - INSTALLATION)

(9) Install door check (23). (Refer to 23 - BODY/DOORS - REAR/CHECK - INSTALLATION)

(10) Install lock rod handle (11) and replace roll pin (12).

(11) Connect the electrical connector and install switches (17).

(12) Connect electrical connectors and install license plate lighting (18, 19).

(13) Install trim panel (20). (Refer to 23 - BODY/DOORS - REAR/TRIM PANEL - INSTALLATION)

(14) Install door. (Refer to 23 - BODY/DOORS - REAR/DOOR - INSTALLATION)

INSTALLATION

CAUTION: If the door is being replaced a suitable seam sealer must be used prior to painting.

(1) Support the door with a suitable lifting device, install door and install the hinge bolts.

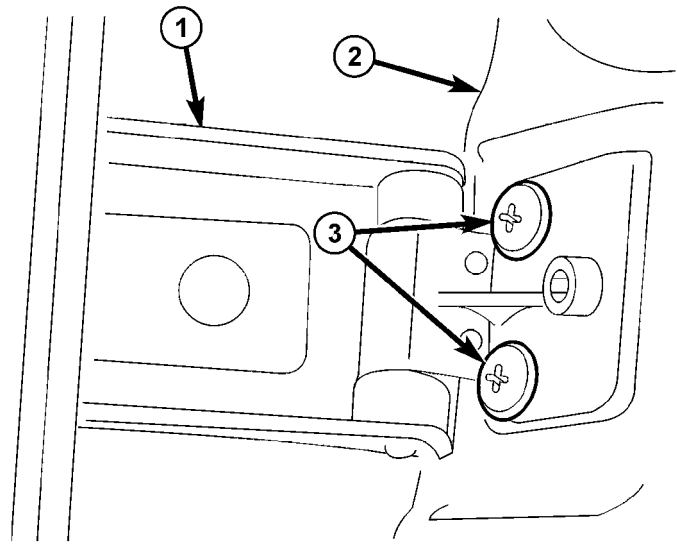
- (2) Tighten bolts to 25 N·m (18 ft. lbs.).
- (3) Engage check arm into receiver.
- (4) Adjust the door as necessary. (Refer to 23 - BODY/DOORS - REAR/DOOR - ADJUSTMENTS)

ADJUSTMENTS

ADJUSTMENT

NOTE: Door adjustment measurements should be taken from stationary or welded body panels like the roof, rocker or quarter panels.

- (1) Check door gap around door. (Refer to 23 - BODY/BODY STRUCTURE/GAP AND FLUSH - SPECIFICATIONS)
- (2) Open doors and loosen the torx bolts. (Fig. 8)



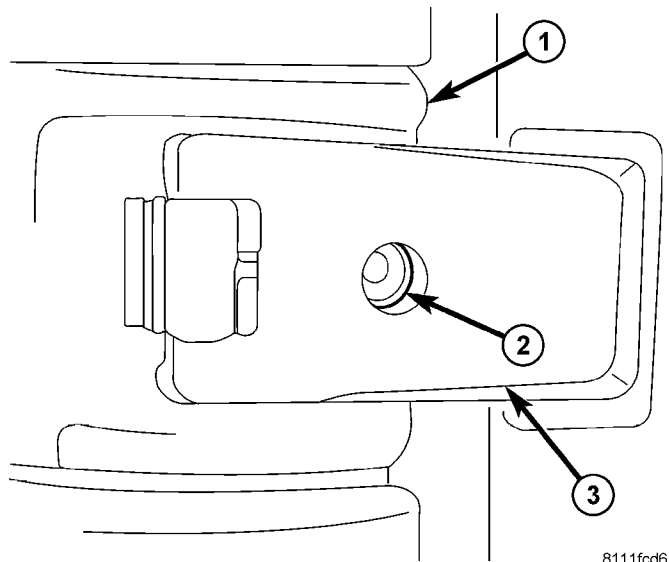
8111fcdf

Fig. 8 HINGE BOLTS

- 1 - HINGE
- 2 - BODY
- 3 - TORX BOLTS

NOTE: Close and adjust each door individually.

- (3) Close the door and check gap measurement.
- (4) Loosen allen screw through hole in hinge. (Fig. 9)



8111fcd6

Fig. 9 HINGE ADJUSTMENT

- 1 - BODY
- 2 - ALLEN SCREW
- 3 - HINGE

NOTE: Adjust so that bottom closing wedges make contact and door gaps are uniform all the way around.

- (5) Adjust rear door and tighten allen screw to 25 N·m (18 ft. lbs.).
- (6) Open doors and tighten torx bolts to 25 N·m (18 ft. lbs.).
- (7) Loosen door striker and adjust so right door is flush with the left door. (Fig. 10)

NOTE: Striker should engage in latch at center. Door should not be lifted or pushed downward with striker.

- (8) Tighten striker.

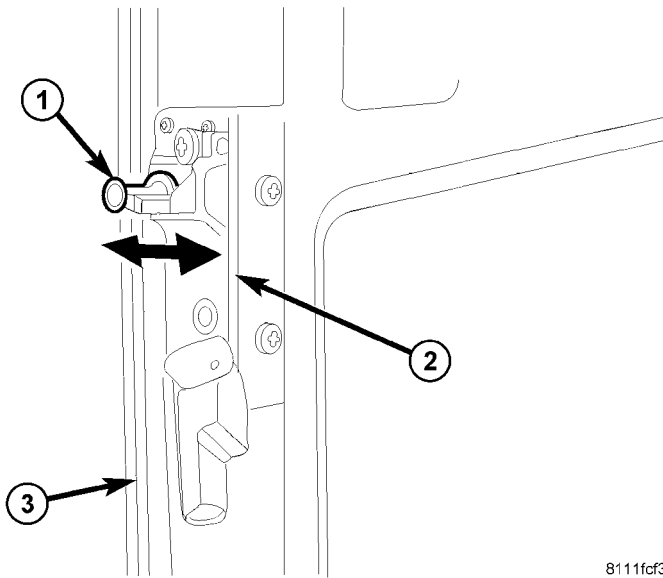


Fig. 10 STRIKER ADJUSTMENT

- 1 - STRIKER
2 - LOCK ROD HANDLE ASSEMBLY
3 - LEFT DOOR

CAUTION: Since the rear doors are components with static functions it is very important that they are fastened while driving. This prevents excessive torsion of the vehicle and leaky rear doors. The rear doors are fastened by adjusting the closing wedges.

(9) Closing wedges at bottom must be resting free of play on plastic closing plates when rear doors are closed. To adjust, loosen door hinges and raise or lower complete doors.

(10) Loosen upper closing wedge screws and move top closing wedge up against plastic closing plate free of play with rear door closed and tighten screws to 10 N·m (89 in. lbs.).

(11) Check and adjust the hinges. On rear doors, the retaining magnets should run up to the middle of the mating plate at the side wall. If this is not the case, correct as listed. (Fig. 11)

CAUTION: Adjustment range of screw (3) maximum 1 turn (risk of control cam breaking, 4)

- Retaining magnet is too far forward relative to mating plate. Turn in adjustment screw (2) at top and bottom hinge.

- Retaining magnet is too far back relative to mating plate. Turn out adjustment screw (2) at top and bottom hinge.

- Retaining magnet is too deep relative to mating plate. Turn in adjustment screw (2) at top hinge, turn out adjustment screw (2) at bottom hinge.

- Retaining magnet is too high relative to mating plate. Turn out adjustment screw (2) at top hinge, turn in adjustment screw (2) at bottom hinge.

- Retaining magnet strikes too hard against mating plate. Turn in adjustment screw (1) at top and bottom hinge.

- Retaining magnet does not make contact with mating plate. Turn out adjustment screw (1) at top and bottom hinge.

- Door projects at corner paneling when closed. Turn out adjustment screw (3) at hinge.

- Door is too far recessed at corner paneling when closed. Turn in adjustment screw (3) at hinge.

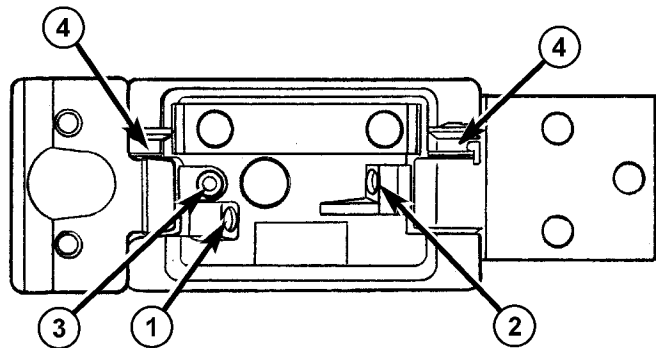


Fig. 11 REAR HINGE ADJUSTMENT

- 1 - ADJUSTMENT SCREW
2 - ADJUSTMENT SCREW
3 - ADJUSTMENT SCREW
4 - CONTROL ARM

8112d3d8

DOOR GLASS

REMOVAL

(1) Position an assistant on one side of the door to receive the glass and weatherstrip seal.

(2) Start at an inside, upper corner. Separate the seal from the window opening. Push the glass and seal outward from the window opening. Remove the glass and seal.

(3) Clean the window opening.

INSTALLATION

(1) Install the weatherstrip seal on the window glass. Verify that the glass is seated in the groove around the edge of the seal.

(2) Insert an installation cord in the weatherstrip seal inner groove.

NOTE: Use mineral spirits as a lubricant to aid seal installation in the window opening.

(3) Position the glass and seal in the window opening.

(4) Pull the installation cord outward and force the seal lip over the panel flange around the edge of the opening.

(5) Seat the seal inner lip on the panel flange. Press against the lip around the edge of the seal.

NOTE: Remove any mineral spirits with a clean cloth after glass installation.

(6) Verify that the seal is seated in the window opening (Fig. 12).

(7) Test the window for water leaks. (Refer to 23 - BODY - DIAGNOSIS AND TESTING - WATER LEAKS)

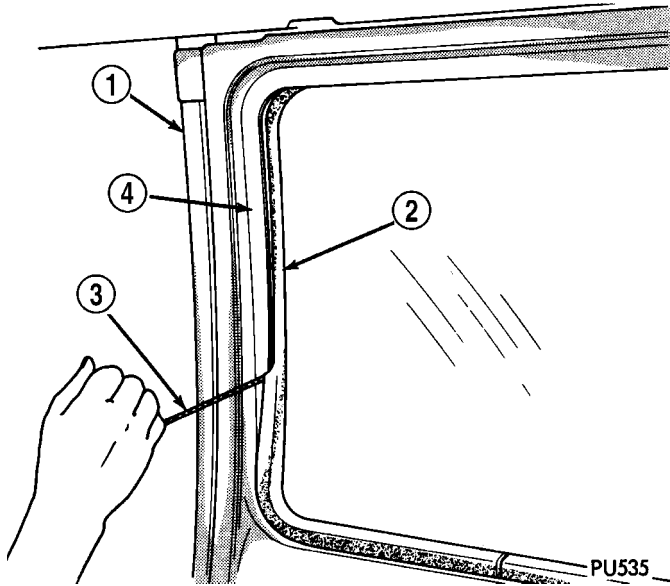


Fig. 12 Glass & Weatherstrip Seal Installation

- 1 - BODY PANEL
- 2 - WEATHERSTRIP SEAL
- 3 - INSTALLATION CORD
- 4 - WINDOW OPENING

EXTERIOR HANDLE

REMOVAL

(1) Remove handle bolt. (Fig. 13)

NOTE: Front door shown, rear door similar.

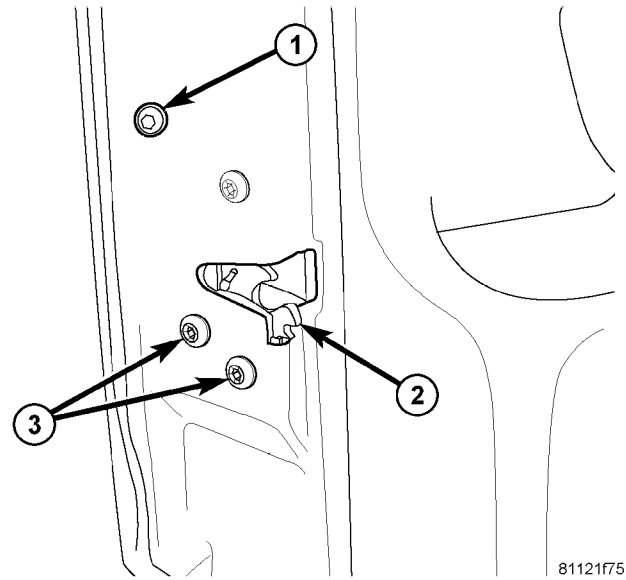


Fig. 13 EXTERIOR HANDLE

- 1 - EXTERIOR HANDLE BOLT
- 2 - LATCH
- 3 - LATCH BOLTS (3)

(2) Slide handle assembly towards front of door. (Fig. 14)

NOTE: Front door shown, rear door similar.

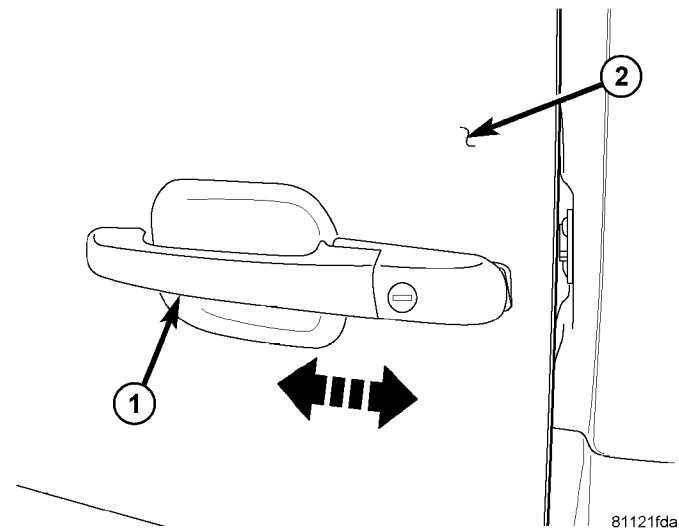


Fig. 14 LATCH/HANDLE FASTENERS

- 1 - EXTERIOR HANDLE
- 2 - DOOR

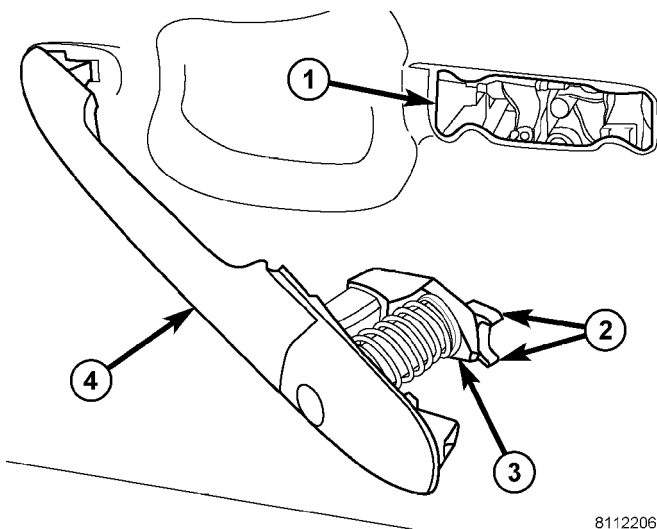
(3) Pull rear of handle out away from door and disengage the latch levers.

(4) Slide handle towards the rear of door and remove.

INSTALLATION

(1) Position front of handle into front slot in door. (Fig. 15)

NOTE: Front door shown, rear door similar.



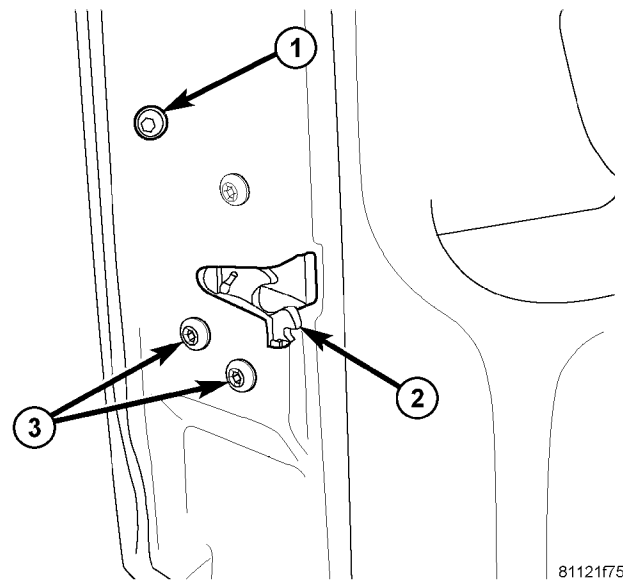
81122068

Fig. 15 EXTERIOR HANDLE INSTALLATION

- 1 - DOOR LATCH OPENING
- 2 - LOCK ACTUATION LEVER
- 3 - LATCH ACTUATION LEVER
- 4 - EXTERIOR HANDLE

(2) Position rear of handle into latch opening and engage lock and latch actuation levers with the latch levers. (Fig. 16)

NOTE: Front door shown, rear door similar.



8112175

Fig. 17 EXTERIOR HANDLE

- 1 - EXTERIOR HANDLE BOLT
- 2 - LATCH
- 3 - LATCH BOLTS (3)

(4) Tighten bolt to 10 N·m (89 in. lbs.).

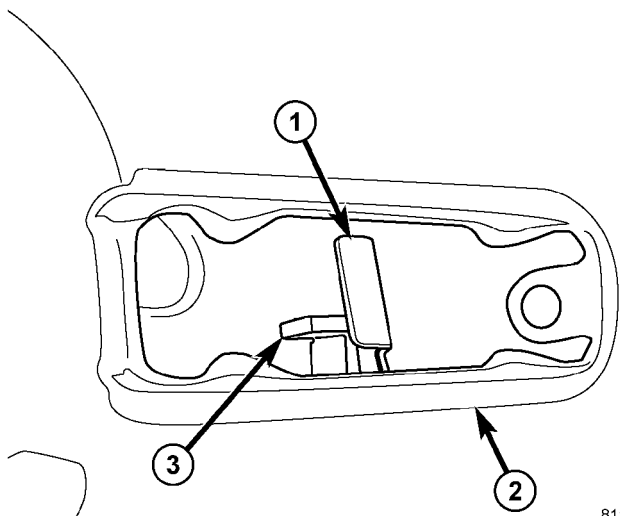
HINGE

REMOVAL

NOTE: It is not necessary to remove the door to replace the hinges if they are replaced one at a time.

(1) Using a grease pencil or equivalent, mark the position of the hinge on the door.

(2) Remove the bolts and remove the hinge. (Fig. 18)



8112206c

Fig. 16 LATCH LEVERS

- 1 - LATCH LEVER
- 2 - LATCH OPENING
- 3 - LOCK LEVER

(3) Slide exterior handle towards rear of door and install bolt. (Fig. 17)

NOTE: Front door shown, rear door similar.

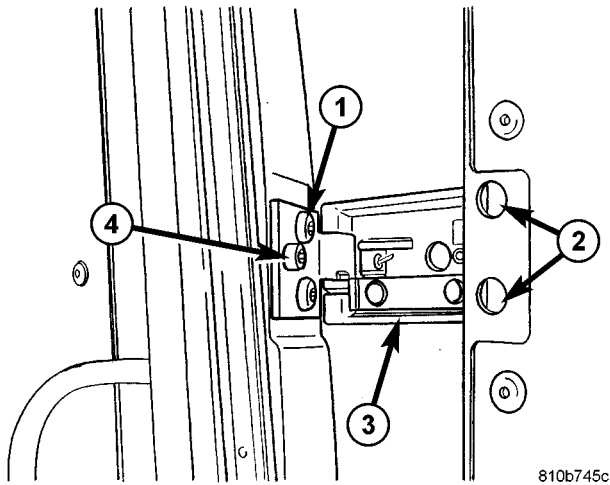


Fig. 18 REAR DOOR HINGE

- 1 - TORX BOLTS BODY SIDE
- 2 - TORX BOLTS DOOR SIDE
- 3 - HINGE
- 4 - ALLEN BOLT

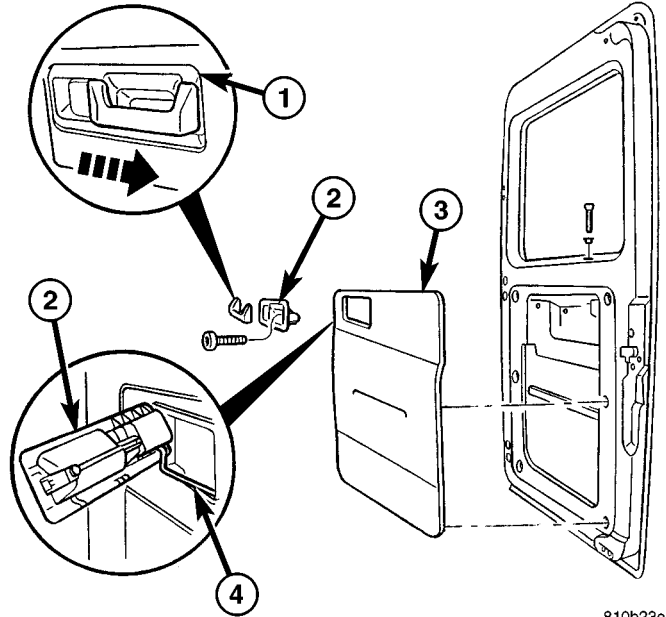


Fig. 19 TRIM PANEL

- 1 - TRIM
- 2 - INSIDE HANDLE ACTUATOR
- 3 - TRIM PANEL
- 4 - CONTROL CABLE

INSTALLATION

- (1) Install hinge and install bolts.
- (2) Tighten bolts to 25 N·m (18 ft. lbs.).
- (3) Adjust door if necessary. (Refer to 23 - BODY/DOOR - FRONT/DOOR - ADJUSTMENTS)

INSIDE HANDLE ACTUATOR

REMOVAL

- (1) Remove the handle trim cover. (Fig. 19)
- (2) Remove the screws and handle.
- (3) Disconnect the latch cable.

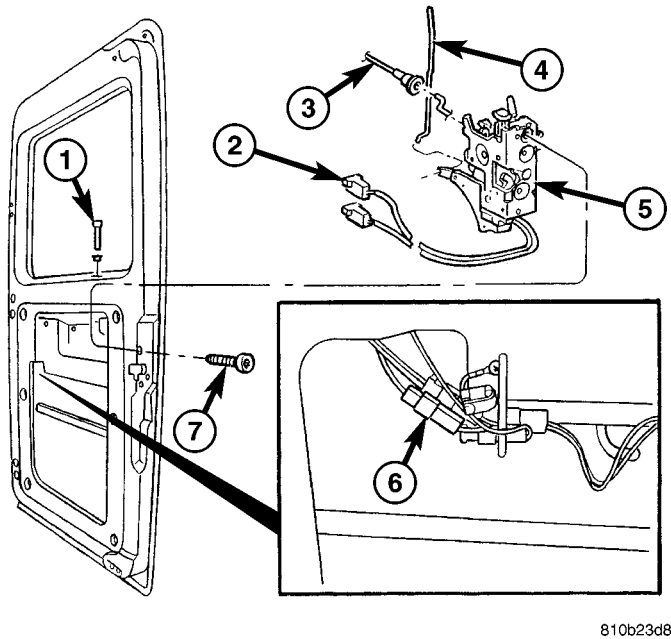
INSTALLATION

- (1) Connect the latch cable.
- (2) Install handle and screws.
- (3) Install trim cover.

LATCH

REMOVAL

- (1) Disconnect and isolate battery negative cable.
- (2) Remove right side trim panel. (Refer to 23 - BODY/DOORS - REAR/TRIM PANEL - REMOVAL)
- (3) Disconnect lock rod. (Fig. 20)
- (4) Remove the screws and pull out latch from door.
- (5) Disconnect cable and electrical connectors.



810b23d8

Fig. 20 LATCH

- 1 - DOOR LOCK KNOB
- 2 - ELECTRIC
- 3 - CABLE
- 4 - LOCK ROD
- 5 - LATCH ASSEMBLY
- 6 - ELECTRICAL CONNECTORS ROUTING
- 7 - SCREWS (3)

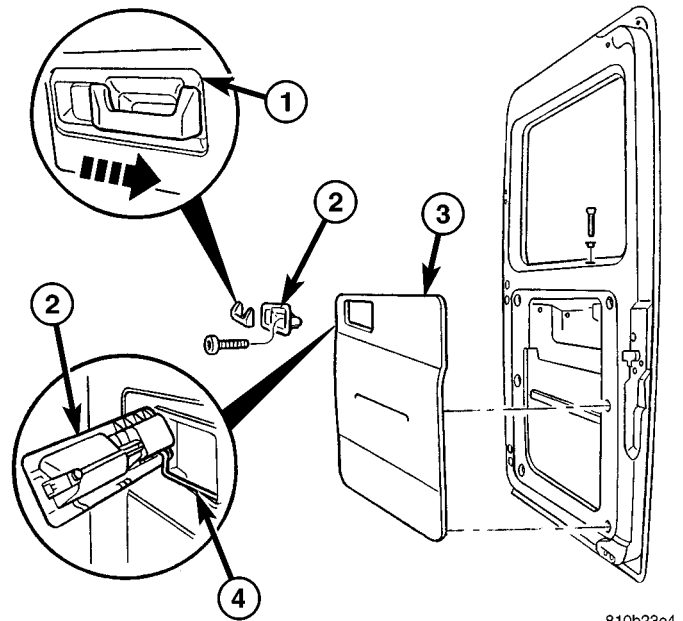
INSTALLATION

- (1) Connect electrical connectors and cable to latch assembly.
- (2) Install latch in door and install screws.
- (3) Connect lock rod.
- (4) Install right side trim panel. (Refer to 23 - BODY/DOORS - REAR/TRIM PANEL - INSTALLATION)
- (5) Connect battery negative cable.

TRIM PANEL

REMOVAL

- (1) Remove trim and interior handle, if equipped (Fig. 21). (Refer to 23 - BODY/DOORS - REAR/INSIDE HANDLE ACTUATOR - REMOVAL)
- (2) Remove push pin fasteners, if equipped.
- (3) Using a trim stick C-4755 or equivalent, remove the lower trim panel.
- (4) Remove rivets and remove upper trim panel, if equipped.



810b23c4

Fig. 21 TRIM PANEL

- 1 - TRIM
- 2 - INSIDE HANDLE ACTUATOR
- 3 - TRIM PANEL
- 4 - CONTROL CABLE

INSTALLATION

- (1) Install upper trim panel and replace rivets.
- (2) Install lower trim and install push pin fasteners, if equipped.
- (3) Install interior handle, if equipped. (Refer to 23 - BODY/DOORS - REAR/INSIDE HANDLE ACTUATOR - INSTALLATION)

DOORS - SLIDING

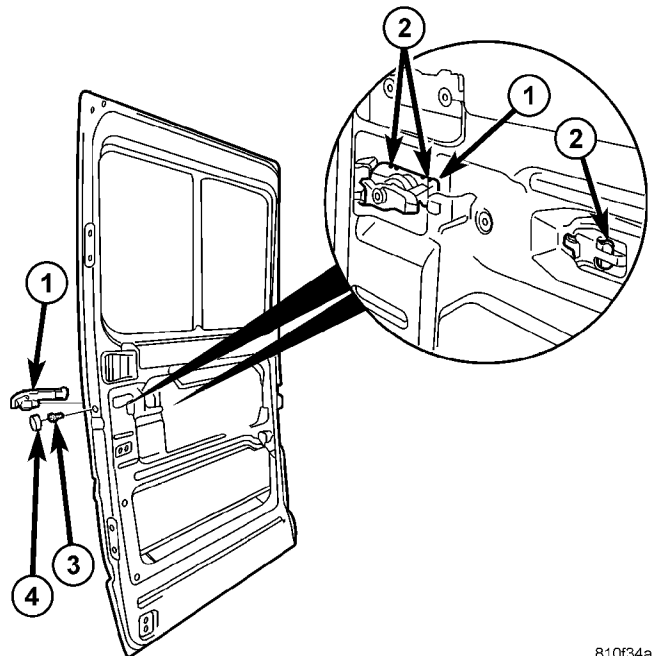
TABLE OF CONTENTS

	page		page
EXTERIOR HANDLE		INSTALLATION	40
REMOVAL	35	REAR LATCH STRIKER	
INSTALLATION	36	REMOVAL	40
INSIDE HANDLE ACTUATOR		INSTALLATION	40
REMOVAL	36	SLIDING DOOR	
INSTALLATION	36	REMOVAL	40
UPPER ROLLER ARM		DISASSEMBLY	42
REMOVAL	36	ASSEMBLY	43
INSTALLATION	36	INSTALLATION	44
CENTER ROLLER ARM		ADJUSTMENTS	
REMOVAL	36	ADJUSTMENT	44
INSTALLATION	37	STABILIZER	
LOWER ROLLER ARM		REMOVAL	45
REMOVAL	37	INSTALLATION	45
INSTALLATION	37	TRIM PANEL	
CENTER TRACK		REMOVAL	46
REMOVAL	37	INSTALLATION	46
INSTALLATION	38	DOOR GLASS	
LATCH / LOCK CONTROL		REMOVAL	46
REMOVAL	38	INSTALLATION	46
INSTALLATION	39		
REAR LATCH			
REMOVAL	40		

EXTERIOR HANDLE

REMOVAL

- (1) Remove trim cap. (Fig. 1)
- (2) Remove bolt.
- (3) Push handle back and remove.



810f34af

Fig. 1 EXTERIOR HANDLE

- 1 - EXTERIOR HANDLE
- 2 - CATCH POINTS
- 3 - BOLT
- 4 - TRIM CAP

INSTALLATION

- (1) Install handle into door opening and push back so the three catch points lock in place on both sides. (Fig. 1)
- (2) Install bolt and tighten to 10 N·m (89 in. lbs.).
- (3) Install trim cap.

INSIDE HANDLE ACTUATOR

REMOVAL

- (1) Remove the trim plug. (Fig. 2)
- (2) Remove screw and remove handle.

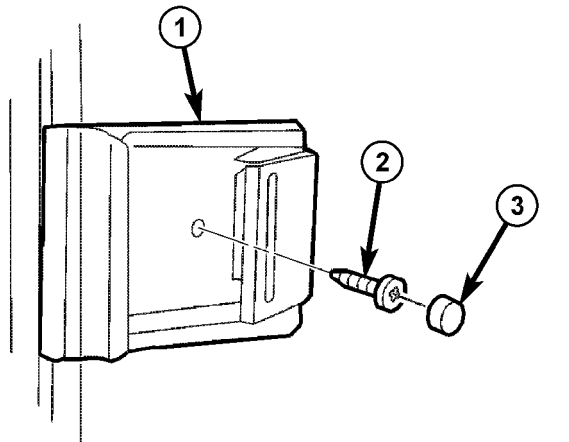


Fig. 2 INTERIOR HANDLE

- 1 - HANDLE
- 2 - SCREW
- 3 - TRIM PLUG

INSTALLATION

- (1) Install the handle and screw.
- (2) Tighten screw to 10 N·m (89 in. lbs.).
- (3) Install trim plug.

UPPER ROLLER ARM

REMOVAL

- (1) Using a grease pencil or equivalent, mark position of roller arm to aid installation.
- (2) Support door with suitable device.
- (3) Remove the bolts. (Fig. 3)
- (4) Slide roller arm towards rear of vehicle and remove from back of track.

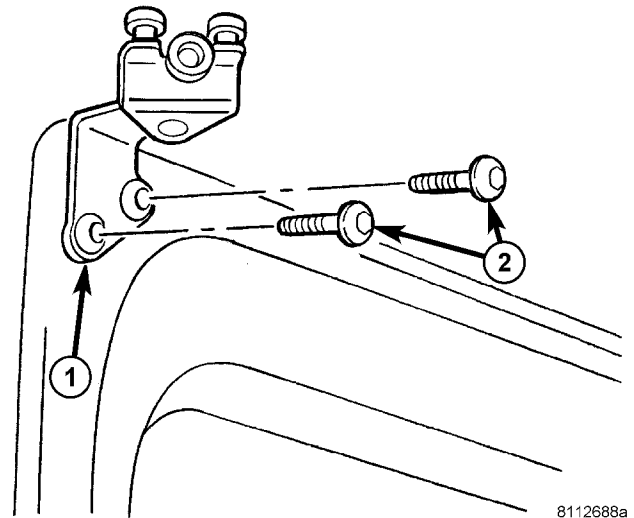


Fig. 3 UPPER ROLLER ARM

- 1 - ROLLER ARM
- 2 - BOLTS

INSTALLATION

- (1) Install roller arm into upper track from back.
- (2) Position roller arm on door and install the bolts.
- (3) Tighten bolts to 25 N·m (18 ft. lbs.).
- (4) Adjust door as necessary. (Refer to 23 - BODY/DOORS - SLIDING/SLIDING DOOR - ADJUSTMENTS)

CENTER ROLLER ARM

REMOVAL

- (1) Remove trim cover. (Fig. 4)
- (2) Remove trim panel if necessary. (Refer to 23 - BODY/DOORS - SLIDING/TRIM PANEL - REMOVAL)
- (3) Remove rubber cover.
- (4) Using a grease pencil or equivalent, mark the horizontal position of the arm at the arrow.
- (5) Support door with suitable lifting device.
- (6) Remove bolt and remove roller arm from door.
- (7) Remove roller arm from center guide track.

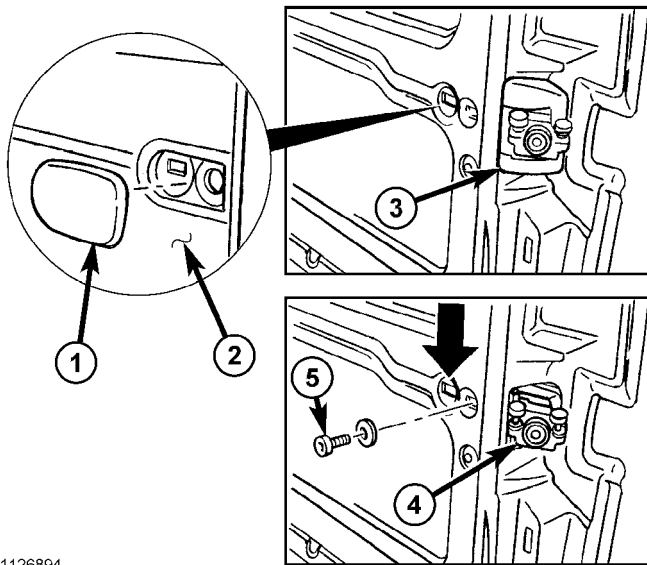


Fig. 4 CENTER ROLLER ARM

- 1 - TRIM COVER
- 2 - SLIDING DOOR
- 3 - CENTER ROLLER ARM RUBBER COVER
- 4 - CENTER ROLLER ARM
- 5 - BOLT

INSTALLATION

- (1) Position roller arm in guide track.
- (2) Install arm into door opening and line up tab with marks made previously.
- (3) Install bolt and tighten to 45 N·m (33 ft. lbs.).
- (4) Install rubber cover.
- (5) Adjust door if necessary. (Refer to 23 - BODY/DOORS - SLIDING/SLIDING DOOR - ADJUSTMENTS)
- (6) Install trim panel if necessary. (Refer to 23 - BODY/DOORS - SLIDING/TRIM PANEL - INSTALLATION)
- (7) Install trim cover.

LOWER ROLLER ARM

REMOVAL

- (1) Remove trim plugs and screws and remove stepwell scuff pad. (Fig. 5)
- (2) Remove the door screws and remove the roller arm. (Fig. 6)

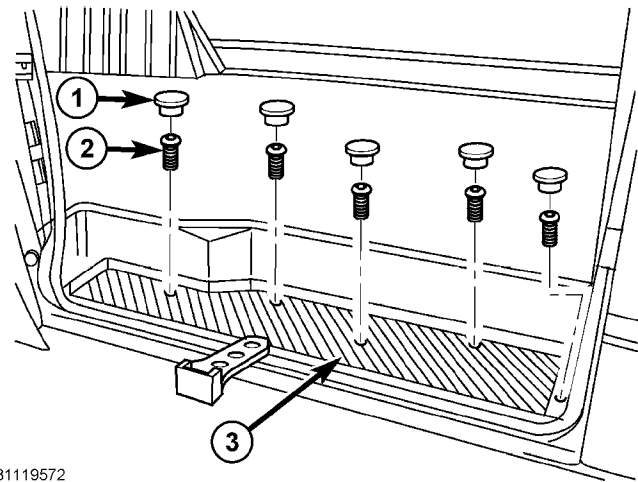


Fig. 5 SLIDING DOOR SCUFF PAD

- 1 - TRIM PLUGS
- 2 - SCREWS (5)
- 3 - SCUFF PAD

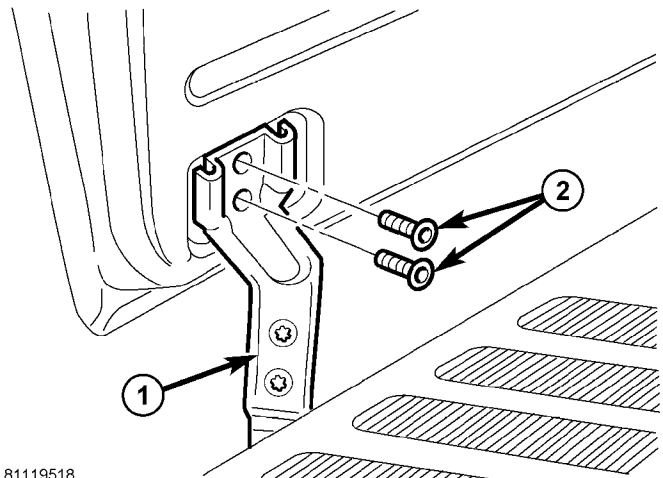


Fig. 6 SLIDING DOOR LOWER ROLLER ARM

- 1 - SCREWS
- 2 - ROLLER ARM

INSTALLATION

- (1) Install roller arm and install door screws.
- (2) Tighten screws to 25 N·m (18 ft. lbs.).
- (3) Install stepwell scuff pad and install screws.
- (4) Adjust door if necessary. (Refer to 23 - BODY/DOORS - SLIDING/SLIDING DOOR - ADJUSTMENTS)

CENTER TRACK

REMOVAL

- (1) Remove center roller arm. (Refer to 23 - BODY/DOORS - SLIDING/CENTER ROLLER ARM - REMOVAL)

(2) Remove quarter trim panel. (Refer to 23 - BODY/INTERIOR/QUARTER TRIM PANEL - REMOVAL)

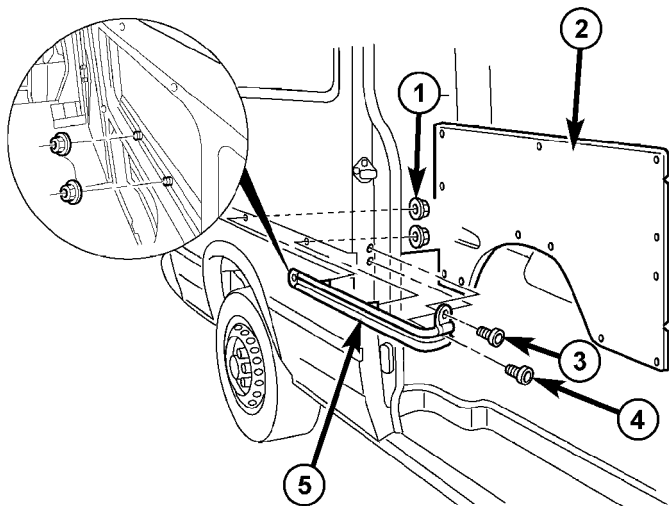
(3) Remove the nuts. (Fig. 7)

(4) Remove the front bolts.

(5) Remove the screws and remove the center track end piece. (Fig. 8)

(6) Using a heat gun or equivalent, heat track up to approximately 60° C (140° F).

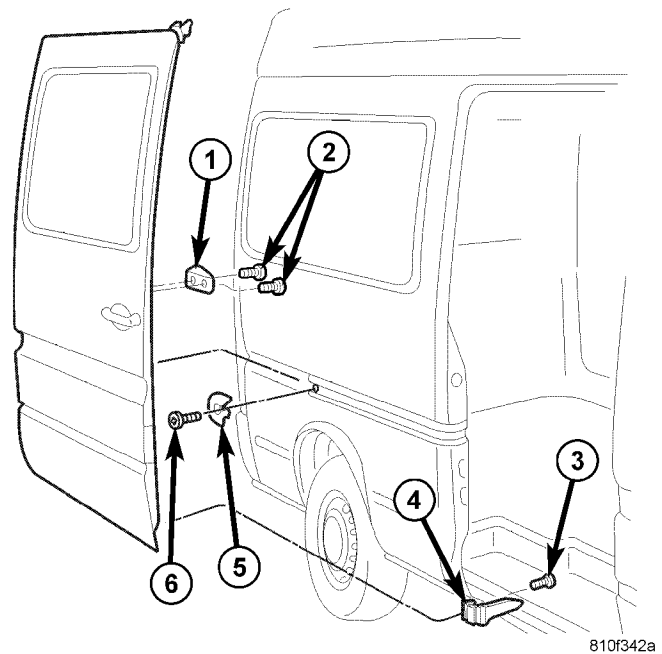
(7) Remove center track.



811194cc

Fig. 7 SLIDING DOOR CENTER TRACK

- 1 - NUTS
- 2 - QUARTER TRIM PANEL
- 3 - BOLT
- 4 - BOLT
- 5 - CENTER TRACK



810F342a

Fig. 8 SLIDING DOOR

- 1 - STOP BUMPER
- 2 - SCREWS (2)
- 3 - SCREWS (2)
- 4 - LOWER ROLLER ARM
- 5 - END PIECE
- 6 - SCREWS (2)

INSTALLATION

(1) Thoroughly clean all residue from the center track attachment area of the door.

(2) Wipe area clean with a 50% solution of water and alcohol and wipe dry.

(3) Remove protective foil from piece of adhesive strip on center track.

(4) Apply new center track and apply pressure of approximately 40 p.s.i. over the entire surface of the track.

(5) Install the front bolts and tighten to 10 N·m (89 in. lbs.).

(6) Install the interior nuts and tighten to 10 N·m (89 in. lbs.).

(7) Install quarter trim panel. (Refer to 23 - BODY/INTERIOR/QUARTER TRIM PANEL - INSTALLATION)

(8) Install the center roller arm. (Refer to 23 - BODY/DOORS - SLIDING/CENTER ROLLER ARM - INSTALLATION)

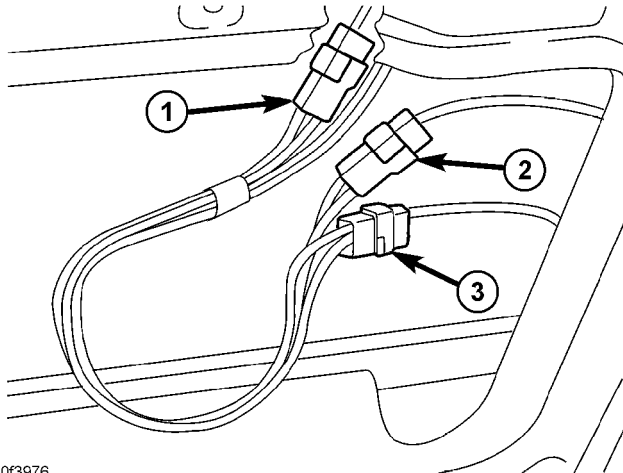
(9) Install the center track end piece and install the screw.

LATCH / LOCK CONTROL

REMOVAL

- (1) Disconnect and isolate battery negative cable.

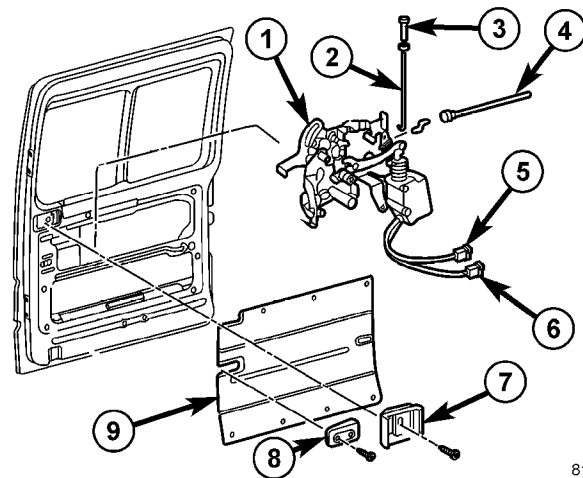
- (2) Remove trim panel. (Refer to 23 - BODY/DOORS - SLIDING/TRIM PANEL - REMOVAL)
- (3) Disconnect electrical connectors. (Fig. 9)
- (4) Remove bolts and remove control assembly. (Fig. 10)
- (5) Disconnect lock knob rod. (Fig. 11)
- (6) Disconnect cable.



810f3976

Fig. 9 ELECTRICAL CONNECTORS

- 1 - CONNECTOR
- 2 - CONNECTOR
- 3 - CONNECTOR



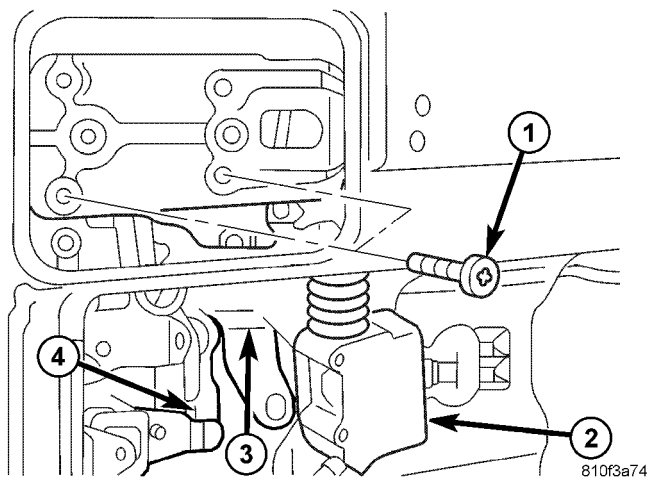
810f3a86

Fig. 11 LOCK ASSEMBLY

- 1 - LATCH/LOCK CONTROL ASSEMBLY
- 2 - LOCK ROD
- 3 - LOCK KNOB
- 4 - LATCH CONTROL CABLE
- 5 - ELECTRICAL CONNECTOR
- 6 - ELECTRICAL CONNECTOR
- 7 - INTERIOR HANDLE ACTUATOR
- 8 - STOP BUMPER
- 9 - TRIM PANEL

INSTALLATION

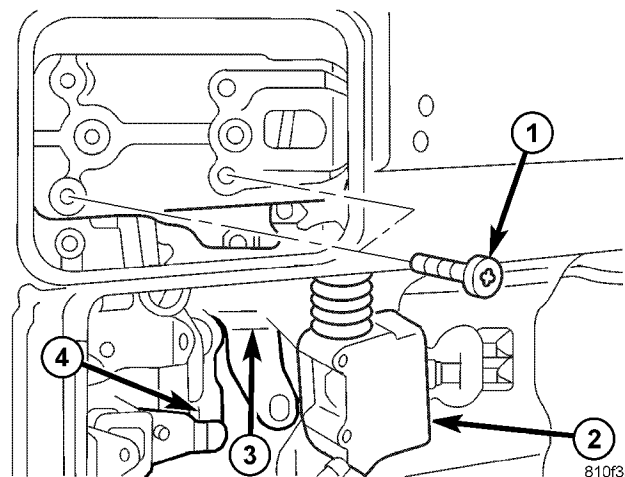
- (1) Position latch/lock control assembly at door and connect the latch control assembly and lock rod.
- (2) Install assembly and install new bolts. Make sure that the lever of the door handle is in front of the lever of the inside door lock. (Fig. 12)



810f3a74

Fig. 10 LOCK ASSEMBLY FASTENERS

- 1 - SCREWS
- 2 - POWER LOCK ACTUATOR
- 3 - LATCH/LOCK CONTROL ASSEMBLY
- 4 - EXTERIOR DOOR LEVER



810f3a74

Fig. 12 LOCK ASSEMBLY FASTENERS

- 1 - SCREWS
- 2 - POWER LOCK ACTUATOR
- 3 - LATCH/LOCK CONTROL ASSEMBLY
- 4 - EXTERIOR DOOR LEVER

- (3) Tighten bolts to 10 N·m (89 in. lbs.).
- (4) Connect electrical connectors.
- (5) Install trim panel. (Refer to 23 - BODY/DOORS - SLIDING/TRIM PANEL - INSTALLATION)
- (6) Connect battery negative cable.

REAR LATCH

REMOVAL

- (1) Disconnect and isolate battery negative cable.
- (2) Remove trim panel. (Refer to 23 - BODY/DOORS - SLIDING/TRIM PANEL - REMOVAL)
- (3) Remove the screws and remove the latch from door.
- (4) Disconnect electrical connector, if equipped.
- (5) Disconnect control cable.

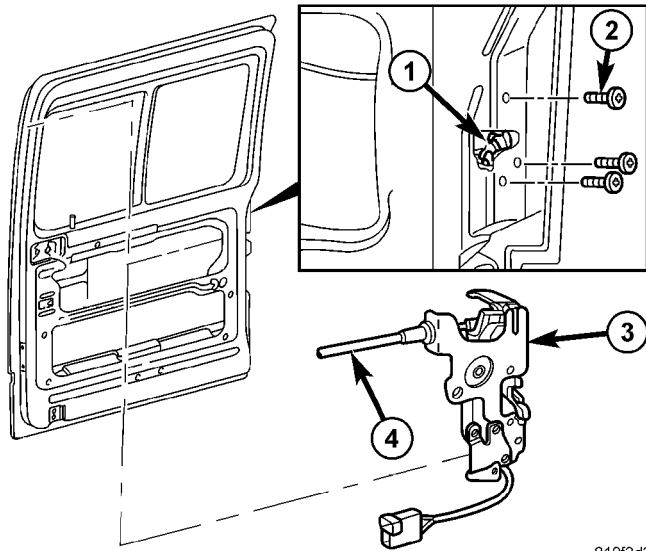


Fig. 13 REAR LATCH

- 1 - LATCH OPENING
- 2 - SCREWS
- 3 - LATCH ASSEMBLY
- 4 - CONTROL CABLE

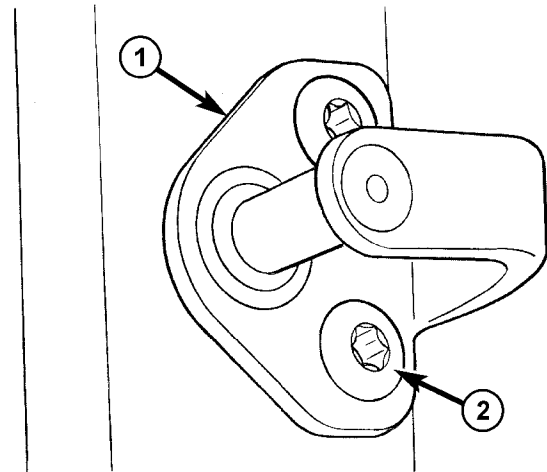
INSTALLATION

- (1) Connect control cable.
- (2) Connect electrical connector, if equipped.
- (3) Position latch in door and install screws.
- (4) Tighten screws to 10 N·m (89 in. lbs.).
- (5) Install trim panel. (Refer to 23 - BODY/DOORS - SLIDING/TRIM PANEL - INSTALLATION)
- (6) Connect battery negative cable.

REAR LATCH STRIKER

REMOVAL

- (1) Open door.
- (2) Remove bolts and remove striker. (Fig. 14)



810f3e61

Fig. 14 LATCH STRIKER

- 1 - STRIKER
- 2 - BOLTS

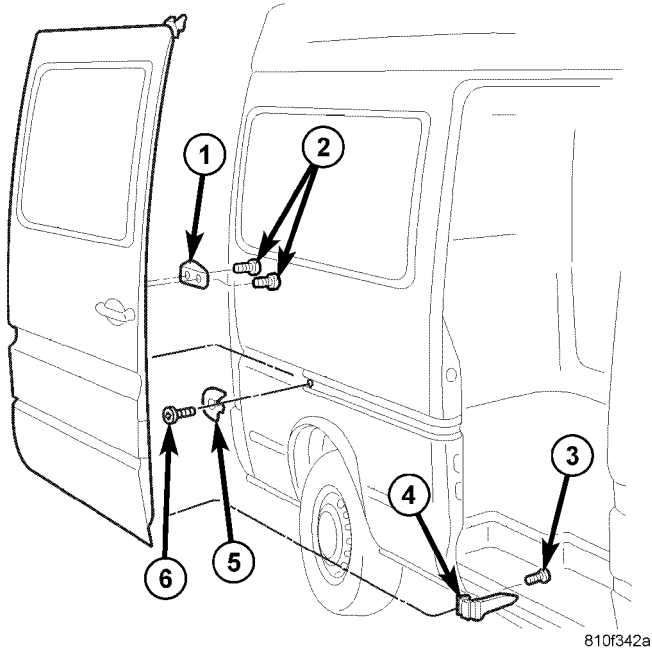
INSTALLATION

- (1) Install striker and bolts.
- (2) Tighten bolts to 25 N·m (18 ft. lbs.)
- (3) Adjust striker if necessary. (Refer to 23 - BODY/DOORS - SLIDING/SLIDING DOOR - ADJUSTMENTS)

SLIDING DOOR

REMOVAL

- (1) Disconnect and isolate battery negative cable.
- (2) Remove the screws and remove the center track end piece. (Fig. 15)
- (3) Remove the screws and remove the stop bumper.
- (4) Remove the screws attaching the lower roller arm to door.
- (5) Support door with a suitable lifting device and roll off the upper and center tracks towards the rear of vehicle.

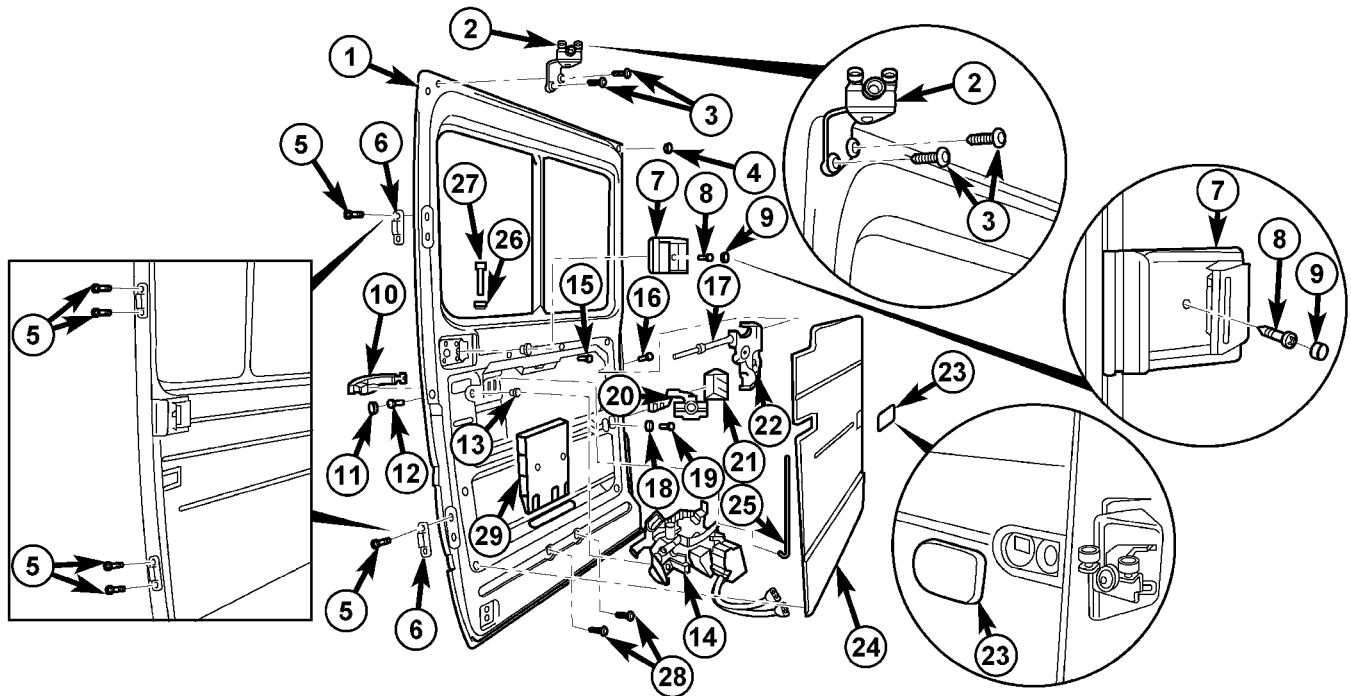


810f342a

Fig. 15 SLIDING DOOR

- 1 - STOP BUMPER
- 2 - SCREWS (2)
- 3 - SCREWS (2)
- 4 - LOWER ROLLER ARM
- 5 - END PIECE
- 6 - SCREWS (2)

DISASSEMBLY



81125ea5

Fig. 16 SLIDING DOOR ASSEMBLY

- | | |
|----------------------------|--------------------------|
| 1 - SLIDING DOOR | 16 - BOLT |
| 2 - UPPER ROLLER ARM | 17 - RELEASE CABLE |
| 3 - BOLTS (2) | 18 - WASHER |
| 4 - TRIM PLUG | 19 - BOLT |
| 5 - BOLTS (2) | 20 - CENTER ROLLER ARM |
| 6 - STABILIZER PIN | 21 - RUBBER COVER |
| 7 - INSIDE HANDLE ACTUATOR | 22 - REAR LATCH |
| 8 - SCREWS | 23 - COVER |
| 9 - TRIM PLUG | 24 - TRIM PANEL |
| 10 - EXTERIOR HANDLE | 25 - CONNECTOR ROD |
| 11 - TRIM PLUG | 26 - GROMMET |
| 12 - BOLT (1) | 27 - LOCK KNOB |
| 13 - NUT | 28 - SCREWS |
| 14 - LATCH/LOCK CONTROL | 29 - CRASH REINFORCEMENT |
| 15 - BOLT | |

(1) Remove door. (Refer to 23 - BODY/DOORS - SLIDING/REAR LATCH STRIKER - REMOVAL)

(2) Remove inside door handle actuator (7). (Refer to 23 - BODY/DOORS - SLIDING/INSIDE HANDLE ACTUATOR - REMOVAL)

(3) Remove center roller arm cover (23). (Fig. 16)

(4) Remove trim panel (24). (Refer to 23 - BODY/DOORS - SLIDING/TRIM PANEL - REMOVAL)

(5) Remove lock knob (27).

(6) Disconnect lock rod (25) and remove.

(7) Remove rear latch (22). (Refer to 23 - BODY/DOORS - SLIDING/REAR LATCH - REMOVAL)

(8) Remove latch/lock control (14). (Refer to 23 - BODY/DOORS - SLIDING/LATCH / LOCK CONTROL - REMOVAL)

(9) Remove exterior handle (10). (Refer to 23 - BODY/DOORS - SLIDING/EXTERIOR HANDLE - REMOVAL)

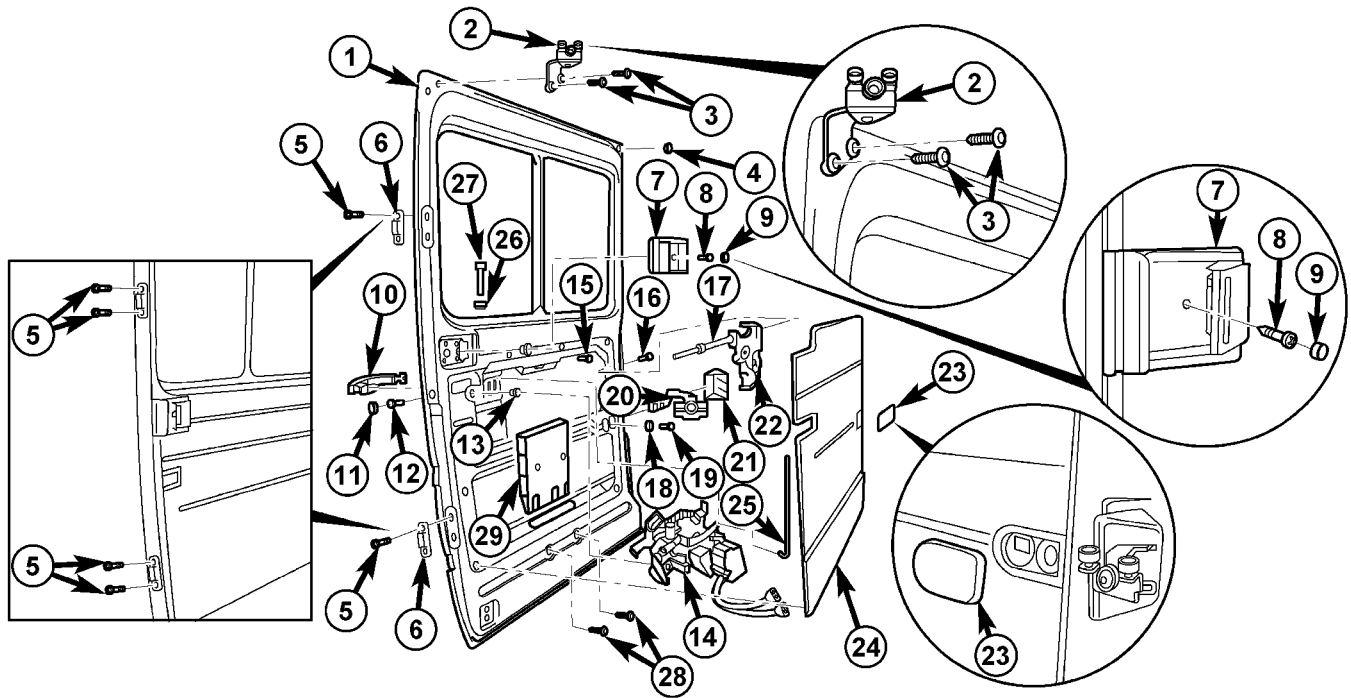
(10) Remove center roller arm (20). (Refer to 23 - BODY/DOORS - SLIDING/LOWER ROLLER ARM - REMOVAL)

(11) Remove stabilizer wedges (6). (Refer to 23 - BODY/DOORS - SLIDING/STABILIZER - REMOVAL)

(12) Remove upper roller arm (2). (Refer to 23 - BODY/DOORS - SLIDING/UPPER ROLLER - REMOVAL)

(13) Remove bolts (28) and remove crash reinforcement (29).

ASSEMBLY



81125ea5

Fig. 17 SLIDING DOOR ASSEMBLY

- | | |
|---|---|
| <ul style="list-style-type: none"> 1 - SLIDING DOOR 2 - UPPER ROLLER ARM 3 - BOLTS (2) 4 - TRIM PLUG 5 - BOLTS (2) 6 - STABILIZER PIN 7 - INSIDE HANDLE ACTUATOR 8 - SCREWS 9 - TRIM PLUG 10 - EXTERIOR HANDLE 11 - TRIM PLUG 12 - BOLT (1) 13 - NUT 14 - LATCH/LOCK CONTROL 15 - BOLT | <ul style="list-style-type: none"> 16 - BOLT 17 - RELEASE CABLE 18 - WASHER 19 - BOLT 20 - CENTER ROLLER ARM 21 - RUBBER COVER 22 - REAR LATCH 23 - COVER 24 - TRIM PANEL 25 - CONNECTOR ROD 26 - GROMMET 27 - LOCK KNOB 28 - SCREWS 29 - CRASH REINFORCEMENT |
|---|---|

- (1) Install the crash reinforcement (29). (Fig. 17)
- (2) Install the bolts (28) and tighten to 21 N·m (15 ft. lbs.).
- (3) Install upper roller arm (2). (Refer to 23 - BODY/DOORS - SLIDING/UPPER ROLLER - INSTALLATION)
- (4) Install stabilizer wedges (6). (Refer to 23 - BODY/DOORS - SLIDING/STABILIZER - INSTALLATION)
- (5) Install center roller arm (20). (Refer to 23 - BODY/DOORS - SLIDING/LOWER ROLLER ARM - INSTALLATION)
- (6) Install exterior handle (10). (Refer to 23 - BODY/DOORS - SLIDING/EXTERIOR HANDLE - INSTALLATION)
- (7) Install the latch/lock control (14). (Refer to 23 - BODY/DOORS - SLIDING/LATCH / LOCK CONTROL - INSTALLATION)
- (8) Install the rear latch (22). (Refer to 23 - BODY/DOORS - SLIDING/REAR LATCH - INSTALLATION)
- (9) Install lock rod (25) and connect to latch/lock control.
- (10) Install the lock knob (27).
- (11) Install the trim panel (24). (Refer to 23 - BODY/DOORS - SLIDING/TRIM PANEL - INSTALLATION)
- (12) Install inside handle actuator (7). (Refer to 23 - BODY/DOORS - SLIDING/INSIDE HANDLE ACTUATOR - INSTALLATION)
- (13) Install the center roller arm cover (23).

(14) Install the door. (Refer to 23 - BODY/DOORS - SLIDING/SLIDING DOOR - INSTALLATION)

INSTALLATION

(1) Install the door by inserting the center and upper rollers into the tracks and sliding the door forward to the front of each track.

(2) Connect the lower roller arm and install the screws.

(3) Tighten the screws to 25 N·m (18 ft. lbs.).

(4) Install door stop and screws.

(5) Tighten the screws to 10 N·m (89 in. lbs.).

(6) Install the center track end piece and install the screw.

(7) Tighten the screw to 10 N·m (89 in. lbs.).

(8) Check and adjust door if necessary. (Refer to 23 - BODY/DOORS - SLIDING/SLIDING DOOR - ADJUSTMENTS)

(9) Connect battery negative cable.

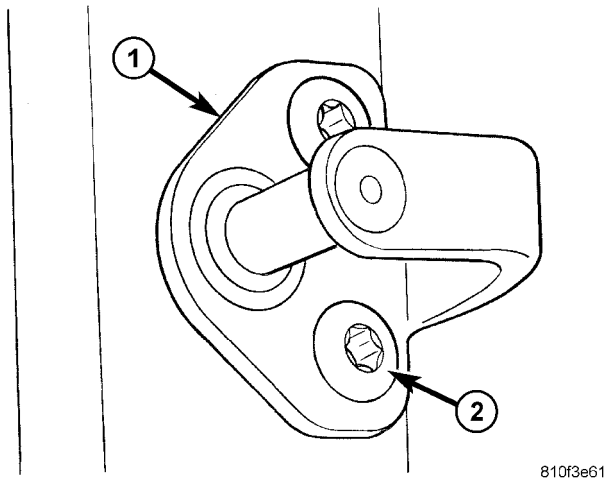
ADJUSTMENTS

ADJUSTMENT

NOTE: Door adjustment measurements should be taken from stationary or welded body panels like the roof, rocker or quarter panels.

A suitable body sealant should be used when removing or moving the hinges.

(1) Remove bolts and remove striker. (Fig. 18)



810f3e61

Fig. 18 LATCH STRIKER

1 - STRIKER
2 - BOLTS

(2) Check gaps and ridge pattern on door all the way around. (Refer to 23 - BODY/BODY STRUCTURE/GAP AND FLUSH - SPECIFICATIONS)

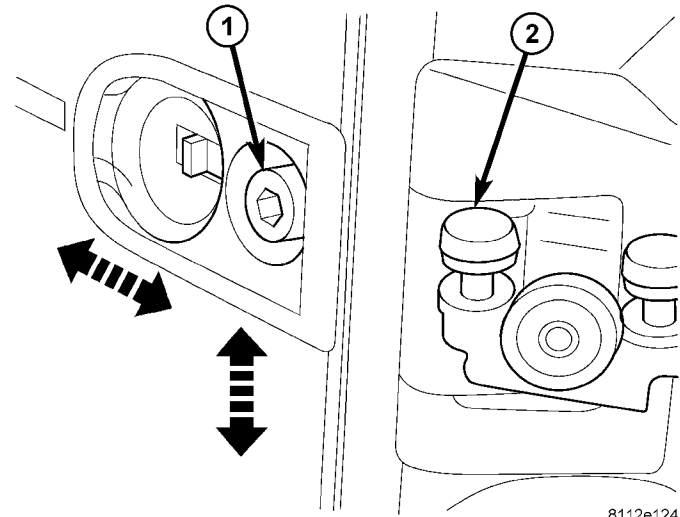
NOTE: It must be possible to move the guide wedge during the entire adjusting procedure. In order to

close the door during adjustment move guide wedge if necessary.

(3) Loosen guide wedge screws.

Gaps and Ridge Adjustment

(1) Loosen screw and adjust rear ridge pattern by lifting and lowering sliding door at center roller arm. (Fig. 19)



8112e124

Fig. 19 ADJUST CENTER ROLLER ARM

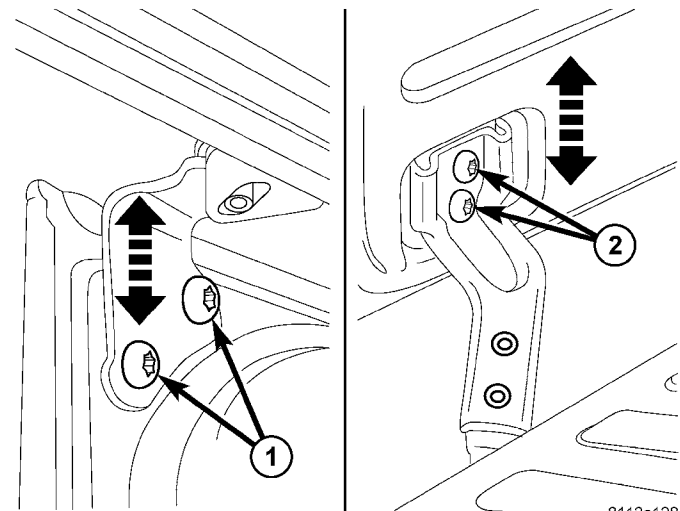
1 - BOLT
2 - CENTER ROLLER ARM

(2) Tighten bolt to 45 N·m (33 ft. lbs.).

(3) Loosen upper roller arm screws. (Fig. 20)

(4) Loosen lower roller arm screws.

(5) Adjust front ridge pattern by raising or lowering door.



8112e128

Fig. 20 UP/DOWN ADJUST

1 - SCREWS (2) UPPER ROLLER ARM
2 - SCREWS (2) LOWER ROLLER ARM

(6) Tighten upper and lower roller arm bolts to 25 N·m (18 ft. lbs.).

- (7) Loosen center roller bolt and adjust the front and rear gaps.
- (8) Check rear ridge pattern alignment and tighten bolt to 45 N·m (33 ft. lbs.).

Flush Adjustment

- (1) Loosen upper roller arm screw. (Fig. 21)
- (2) Loosen lower roller arm screws.

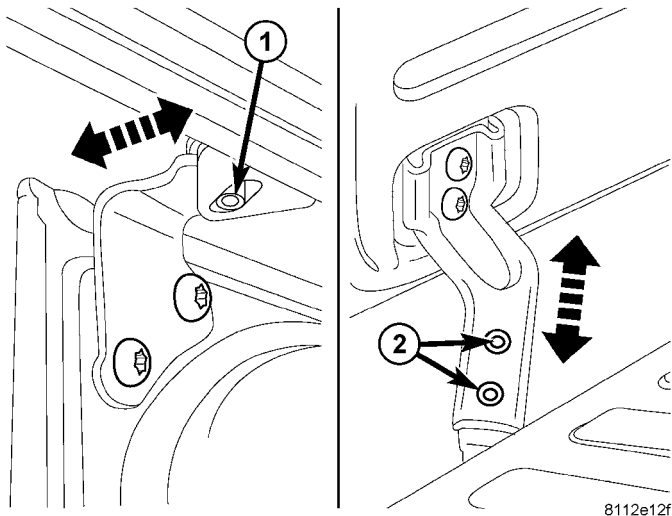


Fig. 21 IN/OUT ADJUST

- 1 - IN/OUT ADJUSTMENT SCREW - UPPER ARM
- 2 - IN/OUT ADJUSTMENT SCREWS - LOWER ARM

- (3) Adjust front of door flushness by altering position of top and bottom roller arms.
- (4) Tighten upper and lower roller arm adjustment screws.
- (5) Install door striker and hand tighten the bolts.
- (6) Adjust door striker in and out to adjust rear door flushness.
- (7) Tighten striker bolts to 25 N·m (18 ft. lbs.). (Fig. 18)
- (8) Loosen stabilizer closing wedge screws. (Fig. 22)
- (9) Close sliding door to adjust closing wedge.
- (10) Open door and tighten screws to 10 N·m (89 in. lbs.).

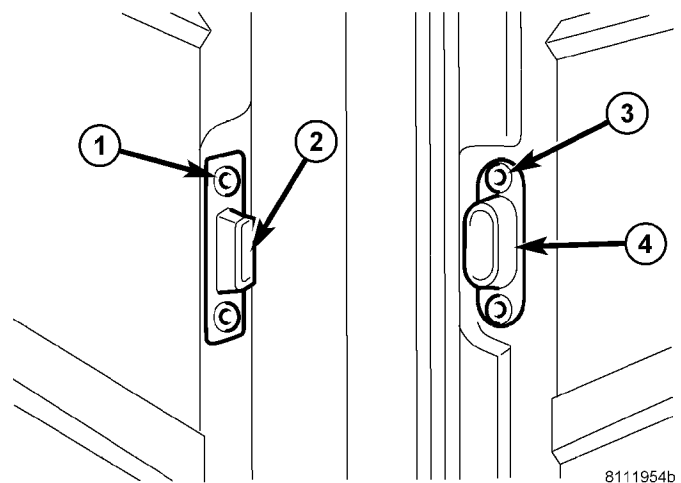


Fig. 22 SLIDING DOOR STABILIZER

- 1 - SCREWS
- 2 - GUIDE WEDGES (2)
- 3 - SCREWS
- 4 - RECEIVERS (2)

Door Stop Bumper Adjust

- (1) Loosen door stop bumper bolts.
- (2) Open sliding door and hold tight in end position.
- (3) Hold stop bumper tight against c-pillar and tighten bolts to 10 N·m (89 in. lbs.).

STABILIZER

REMOVAL

- (1) Remove screws and remove stabilizers. (Fig. 23)

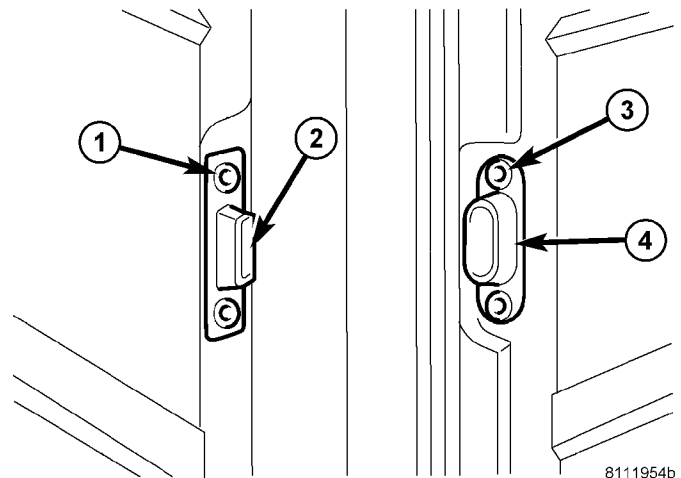


Fig. 23 SLIDING DOOR STABILIZER

- 1 - SCREWS
- 2 - GUIDE WEDGES (2)
- 3 - SCREWS
- 4 - RECEIVERS (2)

INSTALLATION

- (1) Install receiver and install screws.
- (2) Tighten screws to 10 N·m (89 in. lbs.).

- (3) Install wedge and install screws.
- (4) Close sliding door to adjust closing wedge.
- (5) Open door and tighten screws to 10 N·m (89 in. lbs.).

TRIM PANEL

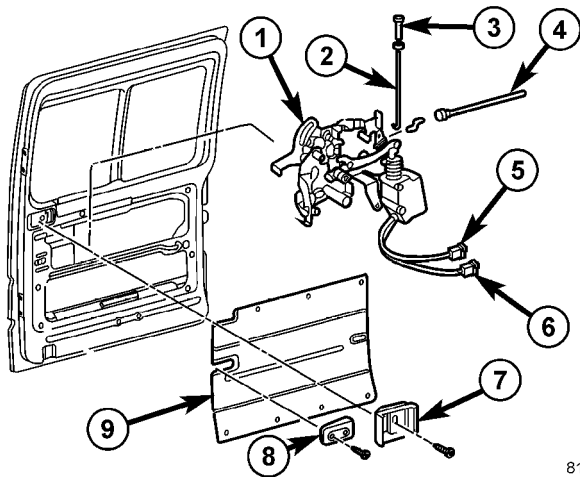
REMOVAL

Upper

- (1) Remove rivets and remove panel.

Lower

- (1) Remove the bolts and remove the stop bumper. (Fig. 24)
- (2) Remove the inside handle actuator. (Refer to 23 - BODY/DOORS - SLIDING/INSIDE HANDLE ACTUATOR - REMOVAL)
- (3) Remove the push pin fasteners and remove the trim panel.



810f3a86

Fig. 24 LOCK ASSEMBLY

- 1 - LATCH/LOCK CONTROL ASSEMBLY
- 2 - LOCK ROD
- 3 - LOCK KNOB
- 4 - LATCH CONTROL CABLE
- 5 - ELECTRICAL CONNECTOR
- 6 - ELECTRICAL CONNECTOR
- 7 - INTERIOR HANDLE ACTUATOR
- 8 - STOP BUMPER
- 9 - TRIM PANEL

INSTALLATION

Upper

- (1) Install trim panel and replace rivets.

Lower

- (1) Install the trim panel and push pin fasteners.
- (2) Install the inside handle actuator. (Refer to 23 - BODY/DOORS - SLIDING/INSIDE HANDLE ACTUATOR - INSTALLATION)

- (3) Install stop bumper, bolts and adjust if necessary. (Refer to 23 - BODY/DOORS - SLIDING/SLIDING DOOR - ADJUSTMENTS)

DOOR GLASS

REMOVAL

- (1) Position an assistant on one side of the door to receive the glass and weatherstrip seal.
- (2) Start at an inside, upper corner. Separate the seal from the window opening. Push the glass and seal outward from the window opening. Remove the glass and seal.
- (3) Clean the window opening.

INSTALLATION

- (1) Install the weatherstrip seal on the window glass. Verify that the glass is seated in the groove around the edge of the seal.
- (2) Insert an installation cord in the weatherstrip seal inner groove.

NOTE: Use mineral spirits as a lubricant to aid seal installation in the window opening.

- (3) Position the glass and seal in the window opening.
- (4) Pull the installation cord outward and force the seal lip over the panel flange around the edge of the opening.
- (5) Seat the seal inner lip on the panel flange. Press against the lip around the edge of the seal.

NOTE: Remove any mineral spirits with a clean cloth after glass installation.

(6) Verify that the seal is seated in the window opening (Fig. 25).

(7) Test the window for water leaks. (Refer to 23 - BODY - DIAGNOSIS AND TESTING - WATER LEAKS)

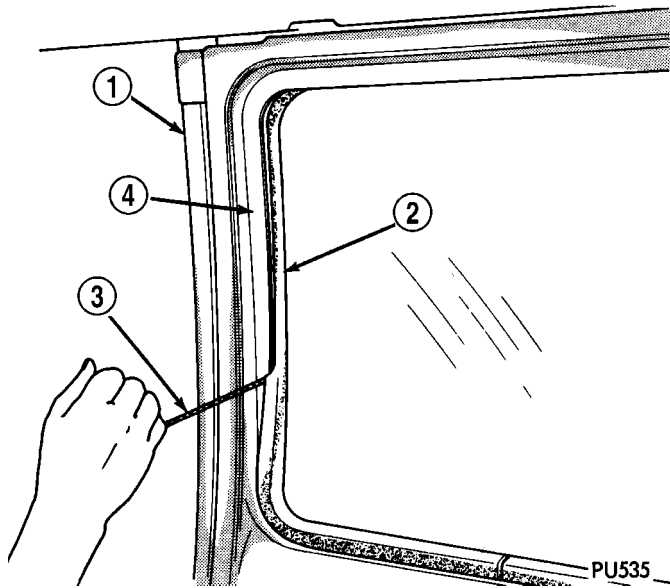


Fig. 25 Glass & Weatherstrip Seal Installation

- 1 - BODY PANEL
- 2 - WEATHERSTRIP SEAL
- 3 - INSTALLATION CORD
- 4 - WINDOW OPENING

EXTERIOR

TABLE OF CONTENTS

	page		page
FUEL FILL DOOR		RADIATOR CROSSMEMBER	
REMOVAL	48	REMOVAL	49
INSTALLATION	48	INSTALLATION	49
GRILLE		SIDE VIEW MIRROR	
REMOVAL	48	REMOVAL	49
INSTALLATION	48	INSTALLATION	50
LICENSE PLATE BRACKET		SIDE VIEW MIRROR - GLASS	
REMOVAL	48	REMOVAL	50
INSTALLATION	48	INSTALLATION	50

FUEL FILL DOOR

REMOVAL

- (1) Open passenger compartment door.
- (2) Open fuel fill door.
- (3) Using a trim stick C-4755 or equivalent, disconnect the filler cap tether.
- (4) Remove two bolts and remove filler door.

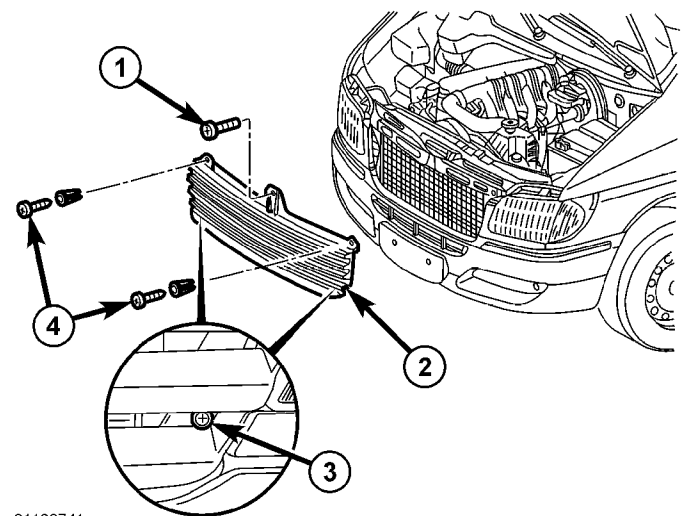
INSTALLATION

- (1) Install the door and bolts.
- (2) Connect filler cap tether.
- (3) Close doors.

GRILLE

REMOVAL

- (1) Remove screw rivets. (Fig. 1)
- (2) Loosen lower screws.
- (3) Remove upper screws.
- (4) Remove grille.



81132741

Fig. 1 GRILLE

- 1 - UPPER SCREW
- 2 - GRILLE
- 3 - LOWER SCREWS (2)
- 4 - SCREW RIVETS

INSTALLATION

- (1) Install grille.
- (2) Install upper screw.
- (3) Tighten lower screws.
- (4) Install screw rivets.

LICENSE PLATE BRACKET

REMOVAL

- (1) Remove two lower push-pin fasteners
- (2) Remove two screws.
- (3) Remove bracket.

INSTALLATION

- (1) Install bracket.
- (2) Install screws.
- (3) Install push-pin fasteners.

RADIATOR CROSSMEMBER

REMOVAL

- (1) Remove grille. (Refer to 23 - BODY/EXTERIOR/GRILLE - REMOVAL)
- (2) Remove headlamps. (Refer to 8 - ELECTRICAL/LAMPS/LIGHTING - EXTERIOR/FRONT LAMP UNIT - REMOVAL)
- (3) Remove heat shield. (Fig. 2)
- (4) Remove retaining clamps and rubber mounts.
- (5) Remove bolts.
- (6) Remove crossmember and disconnect hood cable.

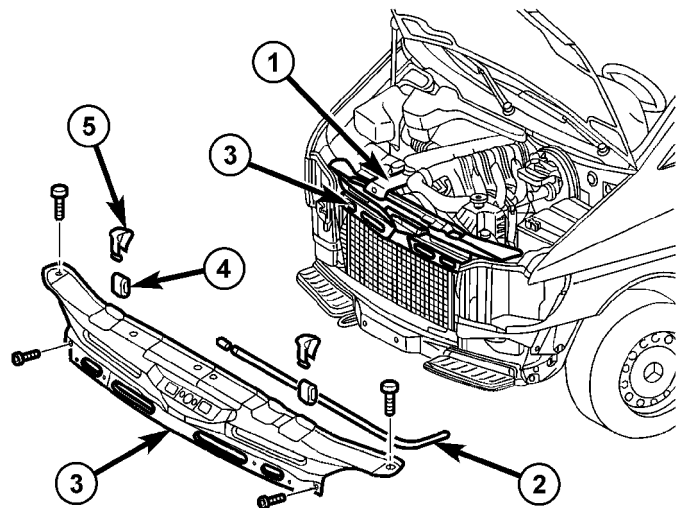


Fig. 2 RADIATOR CROSSMEMBER

- 1 - HEAT SHIELD
- 2 - HOOD CABLE
- 3 - CROSSMEMBER
- 4 - RUBBER MOUNTS
- 5 - RETAINING CLAMP

811327c6

INSTALLATION

- (1) Connect hood release cable and install crossmember.
- (2) Install crossmember bolts and tighten to 14 N·m (10 ft. lbs.).
- (3) Install rubber mounts and retaining clamps.
- (4) Install heat shield.
- (5) Install headlamps. (Refer to 8 - ELECTRICAL/LAMPS/LIGHTING - EXTERIOR/FRONT LAMP UNIT - INSTALLATION)
- (6) Install grille. (Refer to 23 - BODY/EXTERIOR/GRILLE - INSTALLATION)

SIDE VIEW MIRROR

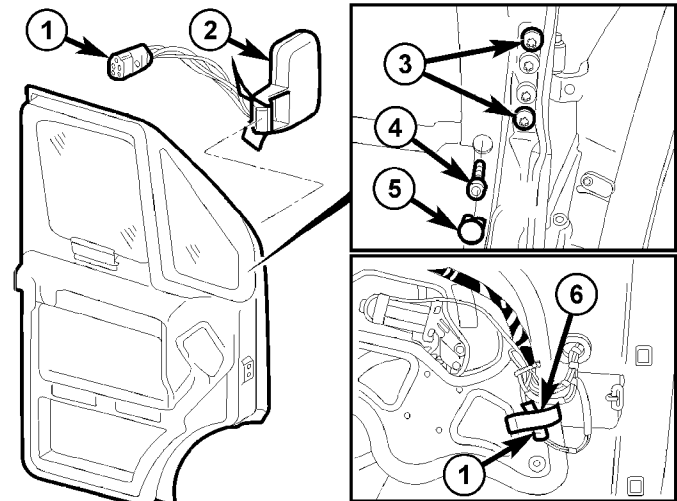
REMOVAL

Driver's Side

- (1) Disconnect and isolate battery negative cable.
- (2) Remove trim plug. (Fig. 3)

NOTE: If the vehicle is not equipped with power mirrors, skip to step 5.

- (3) Remove trim panel. (Refer to 23 - BODY/DOOR - FRONT/TRIM PANEL - REMOVAL)
- (4) Remove tape, expose electrical connector and disconnect. (Fig. 3)
- (5) Remove bolts and remove mirror.
- (6) If equipped, Pull wire harness through.



811327b6

Fig. 3 DRIVERS SIDE MIRROR

- 1 - ELECTRICAL CONNECTOR
- 2 - MIRROR
- 3 - EXTERIOR BOLTS
- 4 - INNER BOLT
- 5 - TRIM PLUG
- 6 - TAPE

Passenger Side

- (1) Disconnect and isolate battery negative cable.
- (2) Remove trim plug. (Fig. 4)

NOTE: If the vehicle is not equipped with power mirrors, skip to step 5.

- (3) Separate dust boot from a-pillar.
- (4) Disconnect the electrical connector.
- (5) Remove bolts and remove mirror.
- (6) If equipped, pull wire harness through.

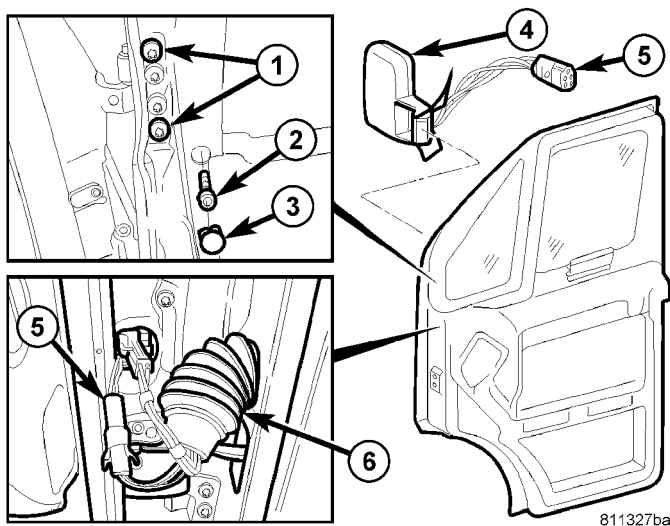


Fig. 4 PASSENGER SIDE MIRROR

- 1 - OUTER BOLTS
- 2 - INNER BOLT
- 3 - TRIM PLUG
- 4 - MIRROR
- 5 - ELECTRICAL CONNECTOR
- 6 - DUST BOOT

INSTALLATION

Driver's Side

- (1) If equipped, pull wire harness through door.
- (2) Install mirror and bolts.
- (3) Tighten the bolts to 25 N·m (18 ft. lbs.).

NOTE: If vehicle is not equipped with power mirrors, skip to step 6.

- (4) Connect electrical connector and replace tape.
- (5) Install trim panel. (Refer to 23 - BODY/DOOR - FRONT/TRIM PANEL - INSTALLATION)
- (6) Install trim plug.
- (7) Connect battery negative cable.

Passenger Side

- (1) If equipped, pull wire harness through door.
- (2) Install mirror and bolts.
- (3) Tighten the bolts to 25 N·m (18 ft. lbs.).

NOTE: If vehicle is not equipped with power mirrors, skip to step 6.

- (4) Connect the electrical connector.
- (5) Connect dust boot to a-pillar.
- (6) Install trim plug.
- (7) Connect battery negative cable.

SIDE VIEW MIRROR - GLASS

REMOVAL

- (1) Disconnect and isolate battery negative cable.
- (2) Press mirror glass in at bottom.

- (3) Pull mirror glass up and out of the guides. (Fig. 5)
- (4) Disconnect the electrical connectors, if equipped.

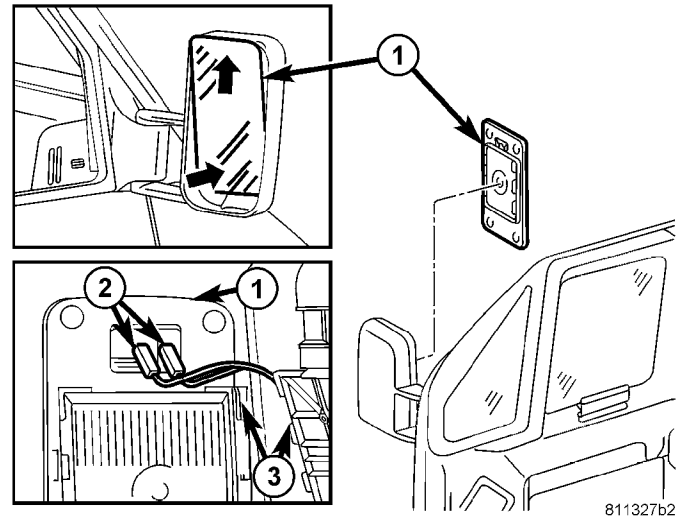


Fig. 5 SIDE VIEW MIRROR - GLASS

- 1 - MIRROR GLASS
- 2 - ELECTRICAL CONNECTORS
- 3 - GUIDES

INSTALLATION

- (1) Connect the electrical connectors, if equipped.
- (2) Push mirror glass down into the guides.
- (3) Straighten mirror glass.
- (4) Connect battery negative cable.

HOOD

TABLE OF CONTENTS

	page		page
HINGE		INSTALLATION	52
REMOVAL	51	LATCH RELEASE HANDLE	
INSTALLATION	51	REMOVAL	52
HOOD		INSTALLATION	52
REMOVAL	51	PROP ROD	
INSTALLATION	51	REMOVAL	53
ADJUSTMENTS		INSTALLATION	53
ADJUSTMENT	52	SAFETY LATCH	
LATCH		REMOVAL	53
REMOVAL	52	INSTALLATION	54
INSTALLATION	52		
LATCH RELEASE CABLE			
REMOVAL	52		

HINGE

REMOVAL

NOTE: It is not necessary to remove the hood to replace one or both hinges. The hinges can be replaced one at a time.

- (1) Open hood and support as needed.
- (2) Using a grease pencil or equivalent, mark the position of the hinge on the hood and cowl.
- (3) Remove the two hood nuts.
- (4) Remove the two cowl bolts and remove hinge.

INSTALLATION

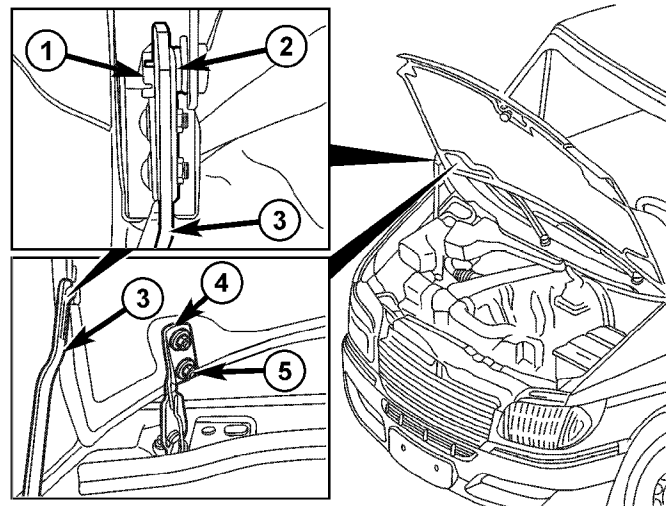
- (1) Position hinge on vehicle and align reference marks.
- (2) Install cowl bolts and tighten to 23 N·m (17 ft. lbs.).
- (3) Install hood nuts and tighten to 23 N·m (17 ft. lbs.).
- (4) Check and adjust hood if necessary. (Refer to 23 - BODY/HOOD/HOOD - ADJUSTMENTS)

HOOD

REMOVAL

- (1) Raise and support hood.
- (2) Remove the prop rod retaining clip. (Fig. 1)
- (3) Separate the prop and spring from the hood.
- (4) Using a grease pencil or equivalent, mark location of hood hinges on hood for installation alignment.
- (5) Remove nuts attaching hinges to hood.

- (6) With the aid of a helper, remove hood from vehicle.



810f404f

Fig. 1 HOOD

- 1 - PROP ROD RETAINING CLIP
- 2 - PROP SPRING
- 3 - PROP ROD
- 4 - HINGE
- 5 - NUTS (2)

INSTALLATION

- (1) Position hood on hinges.
- (2) Install nuts finger-tight.
- (3) Connect spring and prop onto hood and install the retaining spring.
- (4) Align hinges with installation reference marks and tighten bolts to 23 N·m (17 ft. lbs.).
- (5) Check and adjust as necessary. (Refer to 23 - BODY/HOOD/HOOD - ADJUSTMENTS)

ADJUSTMENTS

ADJUSTMENT

SPECIFICATIONS

DESCRIPTION	SPECIFICATION
Left and right hood gaps	5 ± 0.5 mm
Flush offset for hood/ fender	≤ 1.0 mm

(1) Check hood to fender gap. Refer to the SPECIFICATIONS table.

(2) Loosen hinge to cowl bolts and adjust hood side to side, if necessary.

(3) Tighten bolts to 23 N·m (17 ft. lbs.).

(4) Check hood to fender flushness. Refer to the SPECIFICATIONS table.

(5) Loosen hinge to hood nuts and adjust hood up and down, if necessary.

(6) Tighten nuts to 23 N·m (17 ft. lbs.).

(7) Loosen safety latch bolts. (Fig. 2)

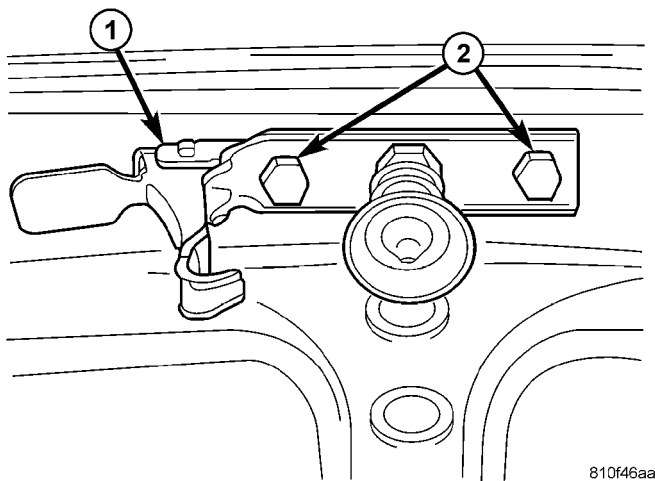


Fig. 2 SAFETY LATCH

- 1 - SAFETY LATCH
2 - BOLTS

(8) Adjust latch to align with hood latch, if necessary.

(9) Tighten safety latch bolts.

(10) Loosen safety latch striker pin lock nut and adjust striker pin up and down to adjust front of hood to fender flushness. Refer to the SPECIFICATIONS table.

(11) Tighten lock nut fully.

(12) Adjust hood slam bumpers up or down if necessary.

LATCH

REMOVAL

(1) Remove bolts and remove latch. (Fig. 3)

(2) Disconnect latch cable.

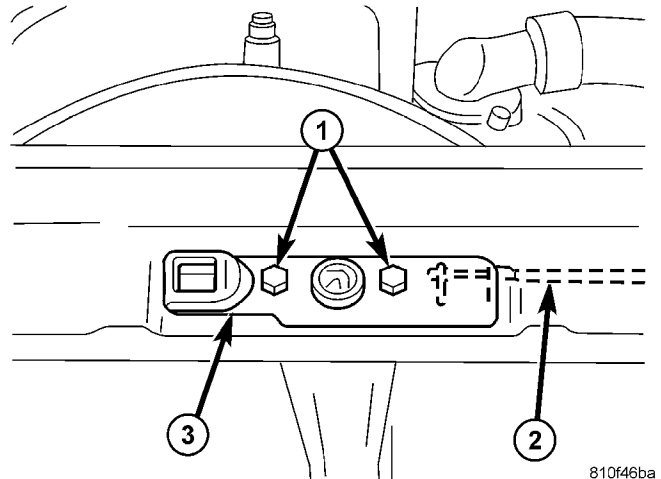


Fig. 3 HOOD LATCH

- 1 - BOLTS
2 - LATCH CABLE
3 - LATCH

INSTALLATION

(1) Connect latch cable and install latch.

(2) Install the bolts and tighten.

LATCH RELEASE CABLE

REMOVAL

(1) Remove the release handle screws and release handle.

(2) Disconnect the cable from the handle.

(3) Remove the latch. (Refer to 23 - BODY/HOOD/LATCH - REMOVAL)

(4) Route cable through cowl panel and remove from engine compartment.

INSTALLATION

(1) Route cable through engine compartment and into passenger compartment as necessary.

(2) Install latch. (Refer to 23 - BODY/HOOD/LATCH - INSTALLATION)

(3) Connect cable to release handle.

(4) Install release handle and install the screws.

LATCH RELEASE HANDLE

REMOVAL

(1) Remove the screws and remove the release handle.

(2) Disconnect the cable from handle.

INSTALLATION

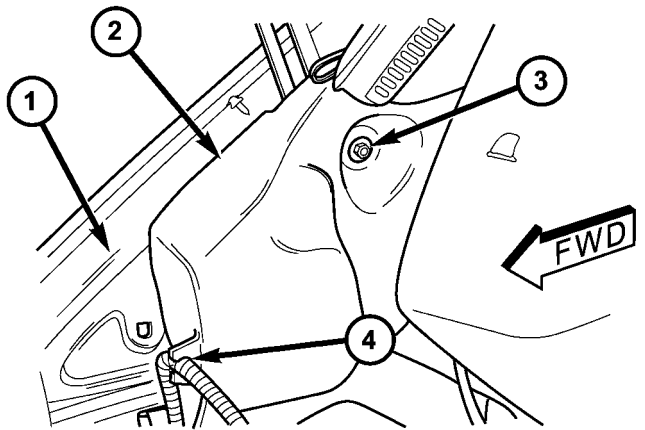
(1) Connect latch cable to release handle.

(2) Install handle and install the screws.

PROP ROD

REMOVAL

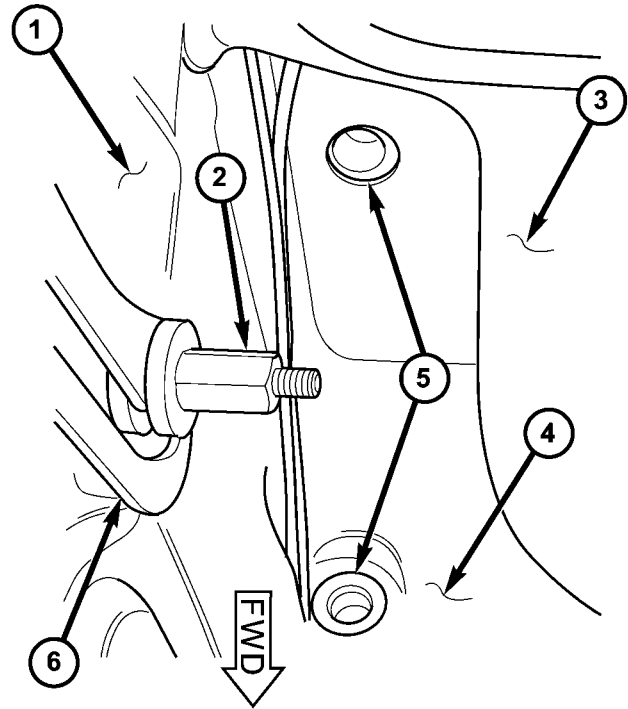
- (1) Open and support hood.
- (2) Remove the prop rod retaining clip. (Fig. 1)
- (3) Separate the prop and spring from the hood.
- (4) Remove nut and position the washer bottle aside. (Fig. 4)
- (5) Remove stud nut and remove hood prop. (Fig. 5)



810c8be4

Fig. 4 Washer Reservoir Remove/Install

- 1 - RIGHT INNER FENDER
- 2 - WASHER RESERVOIR
- 3 - NUT & WASHER
- 4 - ROUTING CLIP



810c9289

Fig. 5 Washer Reservoir Mounting

- 1 - RIGHT INNER FENDER
- 2 - STUD NUT
- 3 - DASH PANEL
- 4 - RIGHT FRONT WHEEL HOUSE
- 5 - GROMMET (2)
- 6 - HOOD PROP

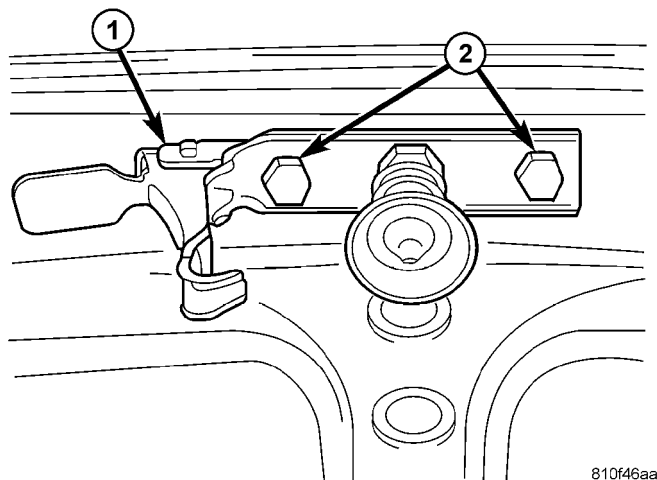
INSTALLATION

- (1) Install hood prop and install the stud nut.
- (2) Position washer bottle back and install the nut and washer.
- (3) Connect spring and prop onto hood and install the retaining spring.

SAFETY LATCH

REMOVAL

- (1) Open hood.
- (2) Using a grease pencil or equivalent, mark the position of the safety latch to aid installation.
- (3) Remove the bolts and remove the latch. (Fig. 6)



810f46aa

Fig. 6 SAFETY LATCH

- 1 - SAFETY LATCH
2 - BOLTS

INSTALLATION

- (1) Install the latch and install the bolts.
- (2) Adjust the latch if necessary. (Refer to 23 - BODY/HOOD/HOOD - ADJUSTMENTS)

INSTRUMENT PANEL

TABLE OF CONTENTS

	page		page
CLUSTER BEZEL		INSTALLATION	58
REMOVAL	55	INSTRUMENT PANEL ASSEMBLY	
INSTALLATION	56	REMOVAL	59
ACCESSORY SWITCH BEZEL		INSTALLATION	63
REMOVAL	56	TOP COVER - CLUSTER	
INSTALLATION	56	REMOVAL	64
INSTRUMENT PANEL CENTER BEZEL		INSTALLATION	64
REMOVAL	57	TOP COVER - TRAY	
INSTALLATION	57	REMOVAL	65
ASH RECEIVER		INSTALLATION	66
REMOVAL	57	TOP COVER	
INSTALLATION	57	REMOVAL	67
CUP HOLDER		INSTALLATION	68
REMOVAL	57	STEERING COLUMN OPENING COVER	
INSTALLATION	58	REMOVAL	68
GLOVE BOX		INSTALLATION	69
REMOVAL	58		

CLUSTER BEZEL

REMOVAL

WARNING: ON VEHICLES EQUIPPED WITH AIRBAGS, DISABLE THE AIRBAG SYSTEM BEFORE ATTEMPTING ANY STEERING WHEEL, STEERING COLUMN, SEAT BELT TENSIONER, OR INSTRUMENT PANEL COMPONENT DIAGNOSIS OR SERVICE. DISCONNECT AND ISOLATE THE BATTERY NEGATIVE (GROUND) CABLE, THEN WAIT TWO MINUTES FOR THE AIRBAG SYSTEM CAPACITOR TO DISCHARGE BEFORE PERFORMING FURTHER DIAGNOSIS OR SERVICE. THIS IS THE ONLY SURE WAY TO DISABLE THE AIRBAG SYSTEM. FAILURE TO TAKE THE PROPER PRECAUTIONS COULD RESULT IN ACCIDENTAL AIRBAG DEPLOYMENT AND POSSIBLE PERSONAL INJURY.

- (1) Disconnect and isolate the battery negative cable.
- (2) Unscrew screws. (Fig. 1)
- (3) Using a trim stick C-4755 or equivalent, separate cover.
- (4) Disconnect electrical connectors and remove bezel.

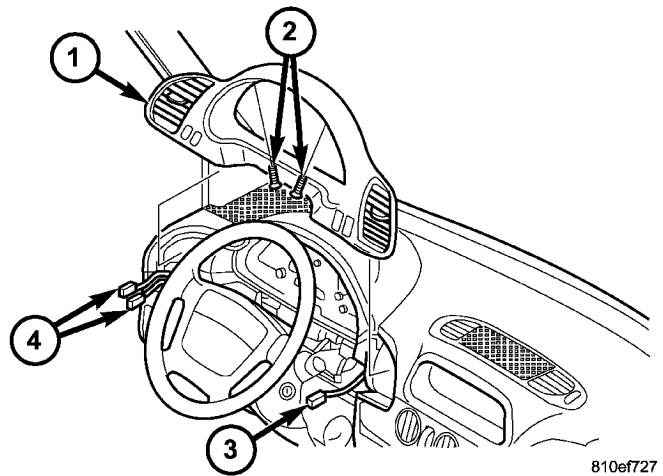


Fig. 1 CLUSTER BEZEL

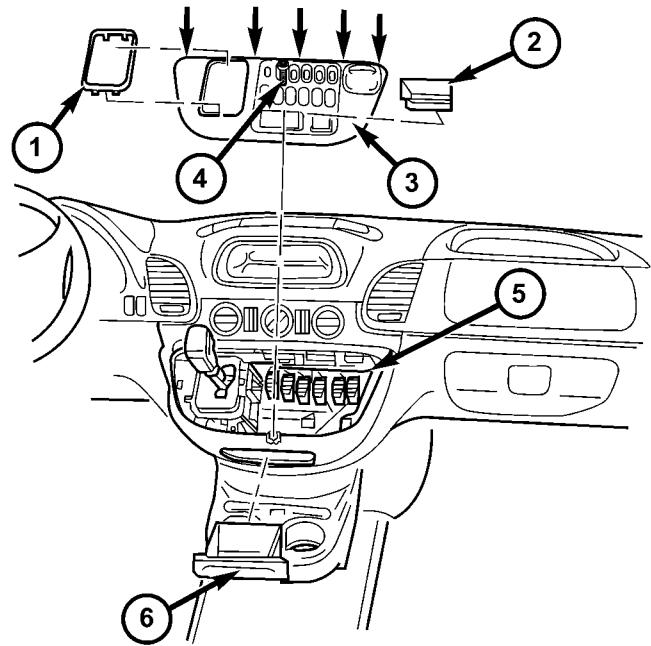
- 1 - CLUSTER BEZEL
- 2 - SCREWS (2)
- 3 - ELECTRICAL CONNECTOR
- 4 - ELECTRICAL CONNECTORS

810ef727

INSTALLATION

WARNING: ON VEHICLES EQUIPPED WITH AIRBAGS, DISABLE THE AIRBAG SYSTEM BEFORE ATTEMPTING ANY STEERING WHEEL, STEERING COLUMN, SEAT BELT TENSIONER, OR INSTRUMENT PANEL COMPONENT DIAGNOSIS OR SERVICE. DISCONNECT AND ISOLATE THE BATTERY NEGATIVE (GROUND) CABLE, THEN WAIT TWO MINUTES FOR THE AIRBAG SYSTEM CAPACITOR TO DISCHARGE BEFORE PERFORMING FURTHER DIAGNOSIS OR SERVICE. THIS IS THE ONLY SURE WAY TO DISABLE THE AIRBAG SYSTEM. FAILURE TO TAKE THE PROPER PRECAUTIONS COULD RESULT IN ACCIDENTAL AIRBAG DEPLOYMENT AND POSSIBLE PERSONAL INJURY.

- (1) Connect the electrical connectors.
- (2) Position cluster bezel into place and seat clips fully.
- (3) Install screws.
- (4) Connect battery negative cable.



810b8e75

Fig. 2 ACCESSORY SWITCH BEZEL

ACCESSORY SWITCH BEZEL

REMOVAL

WARNING: ON VEHICLES EQUIPPED WITH AIRBAGS, DISABLE THE AIRBAG SYSTEM BEFORE ATTEMPTING ANY STEERING WHEEL, STEERING COLUMN, SEAT BELT TENSIONER, OR INSTRUMENT PANEL COMPONENT DIAGNOSIS OR SERVICE. DISCONNECT AND ISOLATE THE BATTERY NEGATIVE (GROUND) CABLE, THEN WAIT TWO MINUTES FOR THE AIRBAG SYSTEM CAPACITOR TO DISCHARGE BEFORE PERFORMING FURTHER DIAGNOSIS OR SERVICE. THIS IS THE ONLY SURE WAY TO DISABLE THE AIRBAG SYSTEM. FAILURE TO TAKE THE PROPER PRECAUTIONS COULD RESULT IN ACCIDENTAL AIRBAG DEPLOYMENT AND POSSIBLE PERSONAL INJURY.

- (1) Move selector lever to position "D".
- (2) Using a trim stick C-4755 or equivalent, remove shift lever frame trim. (Fig. 2)
- (3) Using a trim stick C-4755 or equivalent, remove storage compartment.
- (4) Remove ashtray.
- (5) Remove screw and using a trim stick C-4755 or equivalent, remove bezel.

- 1 - SHIFT LEVER ASSEMBLY FRAME TRIM
- 2 - STORAGE COMPARTMENT
- 3 - ACCESSORY SWITCH BEZEL
- 4 - SCREW
- 5 - PLUG CONNECTIONS
- 6 - ASHTRAY

INSTALLATION

WARNING: ON VEHICLES EQUIPPED WITH AIRBAGS, DISABLE THE AIRBAG SYSTEM BEFORE ATTEMPTING ANY STEERING WHEEL, STEERING COLUMN, SEAT BELT TENSIONER, OR INSTRUMENT PANEL COMPONENT DIAGNOSIS OR SERVICE. DISCONNECT AND ISOLATE THE BATTERY NEGATIVE (GROUND) CABLE, THEN WAIT TWO MINUTES FOR THE AIRBAG SYSTEM CAPACITOR TO DISCHARGE BEFORE PERFORMING FURTHER DIAGNOSIS OR SERVICE. THIS IS THE ONLY SURE WAY TO DISABLE THE AIRBAG SYSTEM. FAILURE TO TAKE THE PROPER PRECAUTIONS COULD RESULT IN ACCIDENTAL AIRBAG DEPLOYMENT AND POSSIBLE PERSONAL INJURY.

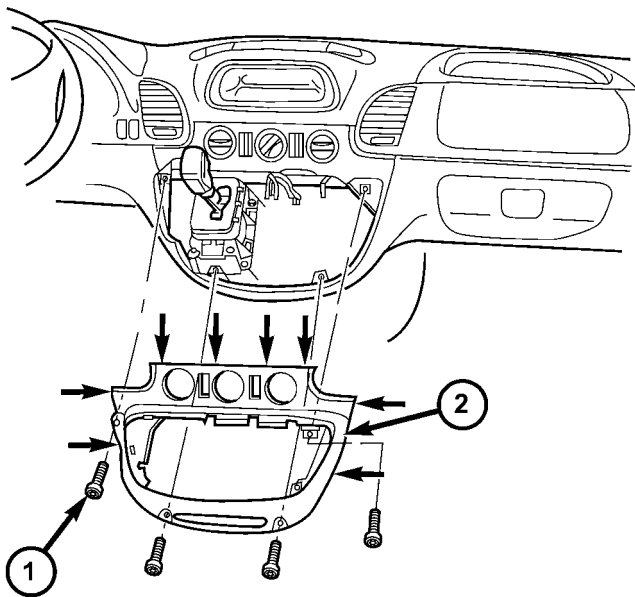
- (1) Position bezel and seat clips fully.
- (2) Install screw.
- (3) Install ashtray.
- (4) Install storage compartment.
- (5) Install shift lever trim.

INSTRUMENT PANEL CENTER BEZEL

REMOVAL

WARNING: ON VEHICLES EQUIPPED WITH AIRBAGS, DISABLE THE AIRBAG SYSTEM BEFORE ATTEMPTING ANY STEERING WHEEL, STEERING COLUMN, SEAT BELT TENSIONER, OR INSTRUMENT PANEL COMPONENT DIAGNOSIS OR SERVICE. DISCONNECT AND ISOLATE THE BATTERY NEGATIVE (GROUND) CABLE, THEN WAIT TWO MINUTES FOR THE AIRBAG SYSTEM CAPACITOR TO DISCHARGE BEFORE PERFORMING FURTHER DIAGNOSIS OR SERVICE. THIS IS THE ONLY SURE WAY TO DISABLE THE AIRBAG SYSTEM. FAILURE TO TAKE THE PROPER PRECAUTIONS COULD RESULT IN ACCIDENTAL AIRBAG DEPLOYMENT AND POSSIBLE PERSONAL INJURY.

- (1) Remove accessory switch bezel. (Refer to 23 - BODY/INSTRUMENT PANEL/ACCESSORY SWITCH BEZEL - REMOVAL)
- (2) Remove the screws and using a trim stick C-4755 or equivalent, remove bezel.



810b8e79

Fig. 3 INSTRUMENT PANEL CENTER BEZEL

- 1 - SCREWS (4)
- 2 - BEZEL

INSTALLATION

WARNING: ON VEHICLES EQUIPPED WITH AIRBAGS, DISABLE THE AIRBAG SYSTEM BEFORE ATTEMPTING ANY STEERING WHEEL, STEERING COLUMN, SEAT BELT TENSIONER, OR INSTRUMENT

PANEL COMPONENT DIAGNOSIS OR SERVICE. DISCONNECT AND ISOLATE THE BATTERY NEGATIVE (GROUND) CABLE, THEN WAIT TWO MINUTES FOR THE AIRBAG SYSTEM CAPACITOR TO DISCHARGE BEFORE PERFORMING FURTHER DIAGNOSIS OR SERVICE. THIS IS THE ONLY SURE WAY TO DISABLE THE AIRBAG SYSTEM. FAILURE TO TAKE THE PROPER PRECAUTIONS COULD RESULT IN ACCIDENTAL AIRBAG DEPLOYMENT AND POSSIBLE PERSONAL INJURY.

- (1) Install the bezel and install the screws.
- (2) Install the accessory switch bezel. (Refer to 23 - BODY/INSTRUMENT PANEL/ACCESSORY SWITCH BEZEL - INSTALLATION)

ASH RECEIVER

REMOVAL

- (1) Disconnect and isolate battery negative cable.
- (2) Open ash receiver and remove two screws.
- (3) Pull out ash receiver and disconnect electrical connector.
- (4) Remove ash receiver.

INSTALLATION

- (1) Connect electrical connector.
- (2) Install ash receiver and install the two screws.
- (3) Connect battery negative cable.

CUP HOLDER

REMOVAL

WARNING: ON VEHICLES EQUIPPED WITH AIRBAGS, DISABLE THE AIRBAG SYSTEM BEFORE ATTEMPTING ANY STEERING WHEEL, STEERING COLUMN, SEAT BELT TENSIONER, OR INSTRUMENT PANEL COMPONENT DIAGNOSIS OR SERVICE. DISCONNECT AND ISOLATE THE BATTERY NEGATIVE (GROUND) CABLE, THEN WAIT TWO MINUTES FOR THE AIRBAG SYSTEM CAPACITOR TO DISCHARGE BEFORE PERFORMING FURTHER DIAGNOSIS OR SERVICE. THIS IS THE ONLY SURE WAY TO DISABLE THE AIRBAG SYSTEM. FAILURE TO TAKE THE PROPER PRECAUTIONS COULD RESULT IN ACCIDENTAL AIRBAG DEPLOYMENT AND POSSIBLE PERSONAL INJURY.

- (1) Remove rubber mat from both cup holders.
- (2) Unscrew screws (1) and remove cup holder top section (2). (Fig. 4)

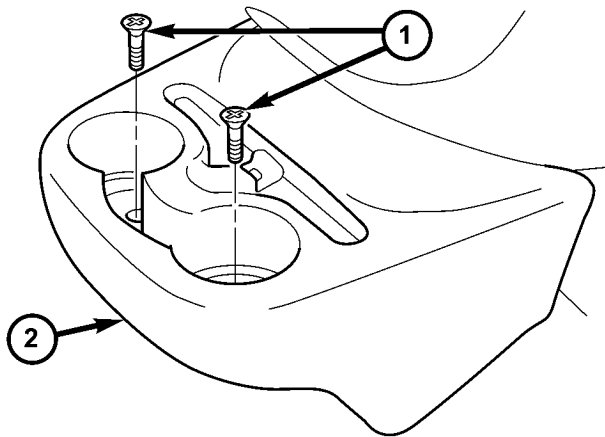


Fig. 4 CUP HOLDER

810efac2

- 1 - SCREWS
- 2 - CUPHOLDER

- (3) Remove vent hose (1). (Fig. 5)
- (4) Unscrew bolts (2) and remove cup holder bottom section (3) from cab floor.

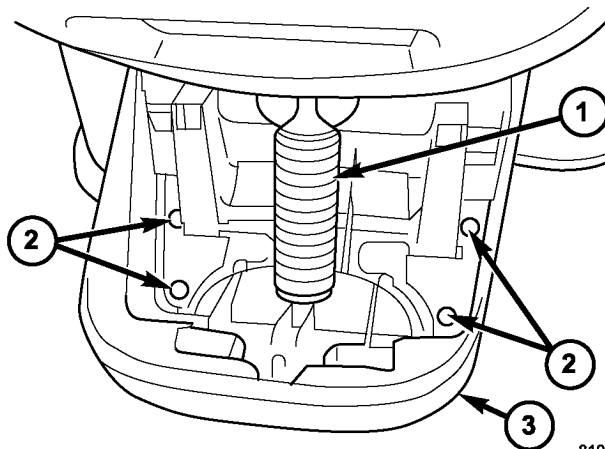


Fig. 5 CUP HOLDER BOTTOM

810efacc

- 1 - VENT HOSE
- 2 - BOLTS (4)
- 3 - BOTTOM SECTION

INSTALLATION

WARNING: ON VEHICLES EQUIPPED WITH AIRBAGS, DISABLE THE AIRBAG SYSTEM BEFORE ATTEMPTING ANY STEERING WHEEL, STEERING COLUMN, SEAT BELT TENSIONER, OR INSTRUMENT PANEL COMPONENT DIAGNOSIS OR SERVICE. DISCONNECT AND ISOLATE THE BATTERY NEGATIVE (GROUND) CABLE, THEN WAIT TWO MINUTES FOR THE AIRBAG SYSTEM CAPACITOR TO DISCHARGE BEFORE PERFORMING FURTHER DIAGNOSIS OR SERVICE. THIS IS THE ONLY SURE WAY TO DISABLE THE AIRBAG SYSTEM. FAILURE TO TAKE THE PROPER PRECAUTIONS COULD

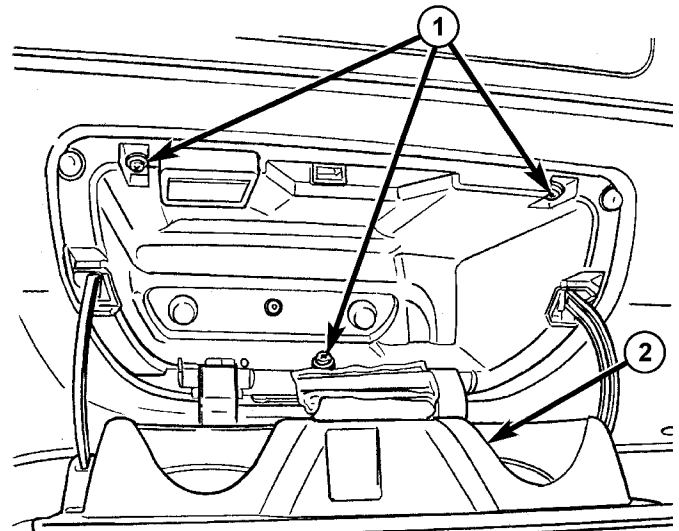
RESULT IN ACCIDENTAL AIRBAG DEPLOYMENT AND POSSIBLE PERSONAL INJURY.

- (1) Install bottom section and install the bolts.
- (2) Install vent hose.
- (3) Install top section and install the screws.
- (4) Install rubber mats.

GLOVE BOX

REMOVAL

- (1) Open glove box and remove the screws. (Fig. 6)
- (2) Remove glove box and disconnect electrical connector.



8111939d

Fig. 6 GLOVE BOX

- 1 - SCREWS (3)
- 2 - GLOVE BOX DOOR

INSTALLATION

- (1) Connect electrical connector and install glove box.
- (2) Install three screws.

INSTRUMENT PANEL ASSEMBLY

REMOVAL

WARNING: ON VEHICLES EQUIPPED WITH AIRBAGS, DISABLE THE AIRBAG SYSTEM BEFORE ATTEMPTING ANY STEERING WHEEL, STEERING COLUMN, SEAT BELT TENSIONER, OR INSTRUMENT PANEL COMPONENT DIAGNOSIS OR SERVICE. DISCONNECT AND ISOLATE THE BATTERY NEGATIVE (GROUND) CABLE, THEN WAIT TWO MINUTES FOR THE AIRBAG SYSTEM CAPACITOR TO DISCHARGE BEFORE PERFORMING FURTHER DIAGNOSIS OR SERVICE. THIS IS THE ONLY SURE WAY TO DISABLE THE AIRBAG SYSTEM. FAILURE TO TAKE THE PROPER PRECAUTIONS COULD RESULT IN ACCIDENTAL AIRBAG DEPLOYMENT AND POSSIBLE PERSONAL INJURY.

- WHEN REMOVING A DEPLOYED AIRBAG, RUBBER GLOVES, EYE PROTECTION, AND A LONG-SLEEVED SHIRT SHOULD BE WORN. THERE MAY BE DEPOSITS ON THE AIRBAG UNIT AND OTHER INTERIOR SURFACES. IN LARGE DOSES, THESE DEPOSITS MAY CAUSE IRRITATION TO THE SKIN AND EYES.

- USE EXTREME CARE TO PREVENT ANY FOREIGN MATERIAL FROM ENTERING THE PASSENGER AIRBAG, OR BECOMING ENTRAPPED BETWEEN THE PASSENGER AIRBAG CUSHION AND THE PASSENGER AIRBAG DOOR. FAILURE TO OBSERVE THIS WARNING COULD RESULT IN OCCUPANT INJURIES UPON AIRBAG DEPLOYMENT.

- THE PASSENGER AIRBAG DOOR MUST NEVER BE PAINTED. REPLACEMENT PASSENGER AIRBAGS ARE SERVICED WITH DOORS IN THE ORIGINAL COLORS. PAINT MAY CHANGE THE WAY IN WHICH THE MATERIAL OF THE AIRBAG DOOR RESPONDS TO AN AIRBAG DEPLOYMENT. FAILURE TO OBSERVE THIS WARNING COULD RESULT IN OCCUPANT INJURIES UPON AIRBAG DEPLOYMENT.

(1) Disconnect and isolate the battery negative cable.

(2) Remove radio. (Refer to 8 - ELECTRICAL/AUDIO/RADIO - REMOVAL)

(3) Remove glove compartment. (Refer to 23 - BODY/INSTRUMENT PANEL/GLOVE BOX - REMOVAL)

(4) Remove cup holder. (Refer to 23 - BODY/INSTRUMENT PANEL/CUP HOLDER - REMOVAL)

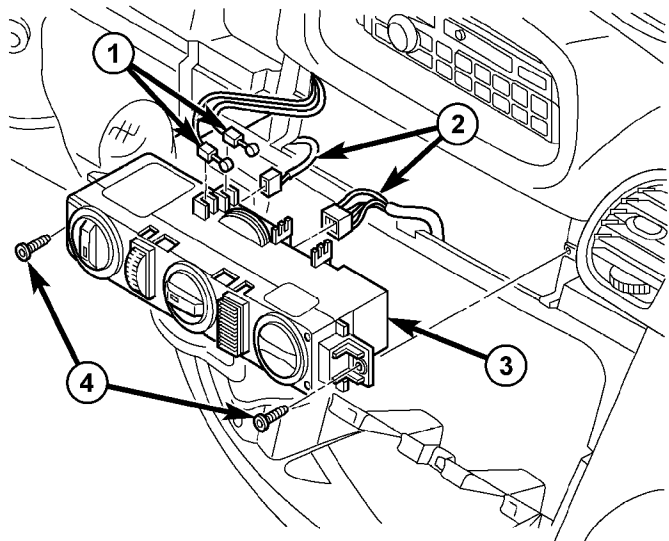
(5) Remove instrument cluster. (Refer to 8 - ELECTRICAL/INSTRUMENT CLUSTER - REMOVAL)

(6) Remove passenger airbag. (Refer to 8 - ELECTRICAL/RESTRAINTS/PASSENGER AIRBAG - REMOVAL)

(7) Remove right and left speakers. (Refer to 8 - ELECTRICAL/AUDIO/SPEAKER - REMOVAL)

(8) Remove center bezel. (Refer to 23 - BODY/INSTRUMENT PANEL/INSTRUMENT PANEL CENTER BEZEL - REMOVAL)

(9) Remove air conditioning push-button control module. (Fig. 7)

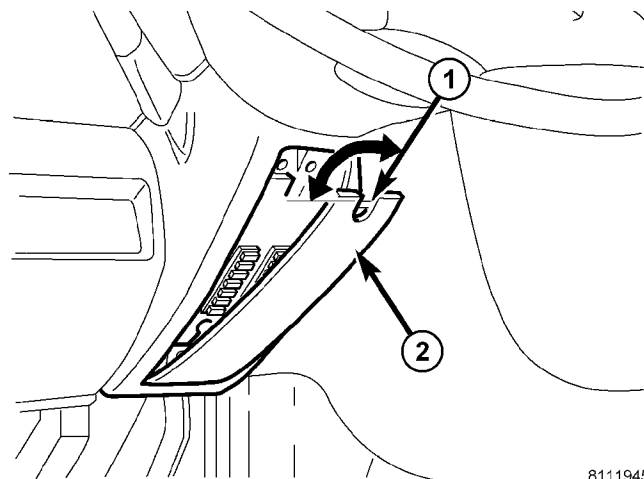


81119374

Fig. 7 HVAC CONTROL MODULE

- 1 - CONTROL CABLES
- 2 - ELECTRICAL CONNECTORS
- 3 - MODULE
- 4 - SCREWS

(10) Twist cover lock 1/4 turn and remove Power Distribution Center (PDC) cover. (Fig. 8)



81119450

Fig. 8 POWER DISTRIBUTION CENTER COVER

- 1 - COVER LOCK
- 2 - COVER

(11) Remove nut and screws and remove steering column shroud. (Fig. 9)

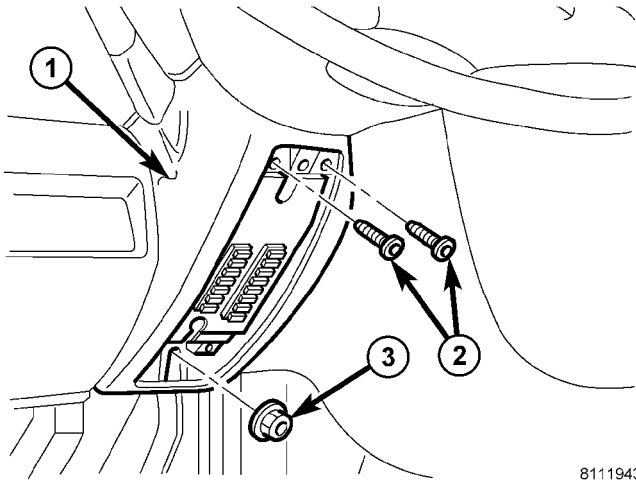


Fig. 9 STEERING COLUMN SHROUD

- 1 - SHROUD
- 2 - SCREWS (2)
- 3 - NUT

81119434

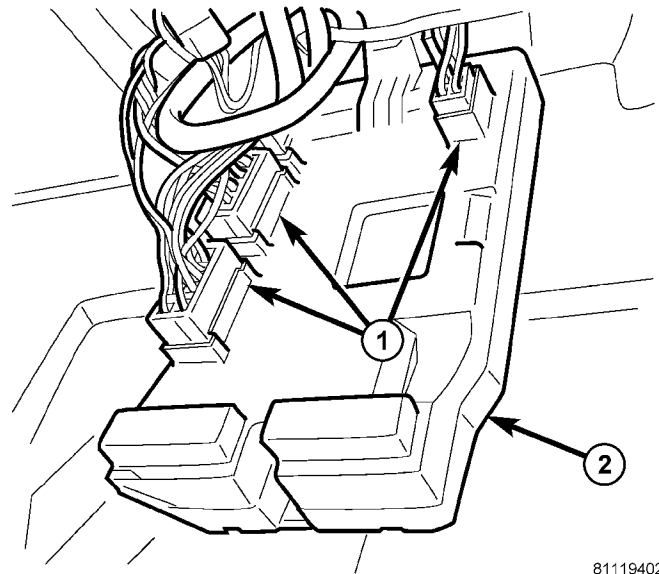


Fig. 11 POWER DISTRIBUTION CENTER CONNECTORS

- 1 - ELECTRICAL CONNECTORS (5)
- 2 - POWER DISTRIBUTION CENTER

81119402

(12) Remove PDC bolt, nut and nut for ground wire. (Fig. 10)

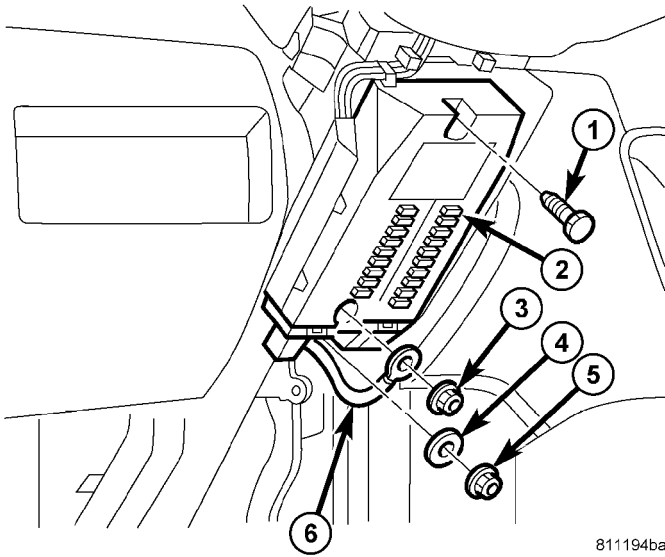


Fig. 10 POWER DISTRIBUTION CENTER

- 1 - BOLT
- 2 - POWER DISTRIBUTION CENTER
- 3 - GROUND NUT
- 4 - WASHER
- 5 - NUT
- 6 - GROUND WIRE

811194ba

(13) Disconnect PDC electrical connectors and remove. (Fig. 11)

(14) Remove screws and remove passenger side air nozzle cover. (Fig. 12)

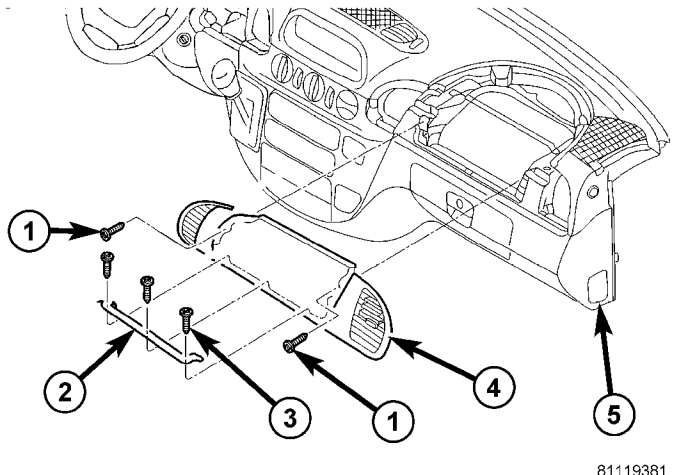
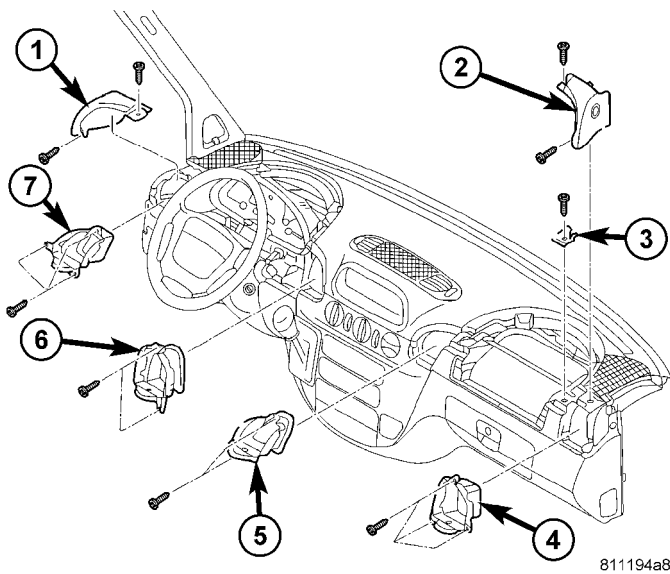


Fig. 12 PASSENGER SIDE AIR NOZZLE COVER

- 1 - FRONT SCREWS (2)
- 2 - BRACKET
- 3 - BRACKET SCREWS
- 4 - NOZZLE COVER
- 5 - INSTRUMENT PANEL

81119381

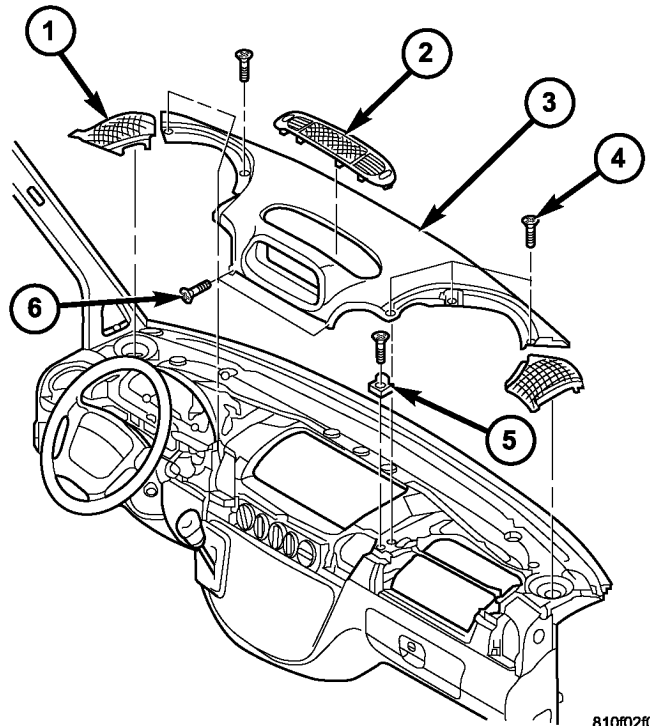
(15) Remove screws and remove left side cover. (Fig. 13)



811194a8

Fig. 13 SIDE COVERS & NOZZLES

- 1 - LEFT SIDE COVER
- 2 - RIGHT SIDE COVER
- 3 - BRACKET
- 4 - OUTER AIR NOZZLE
- 5 - INNER AIR NOZZLE
- 6 - INNER AIR NOZZLE
- 7 - OUTER AIR NOZZLE



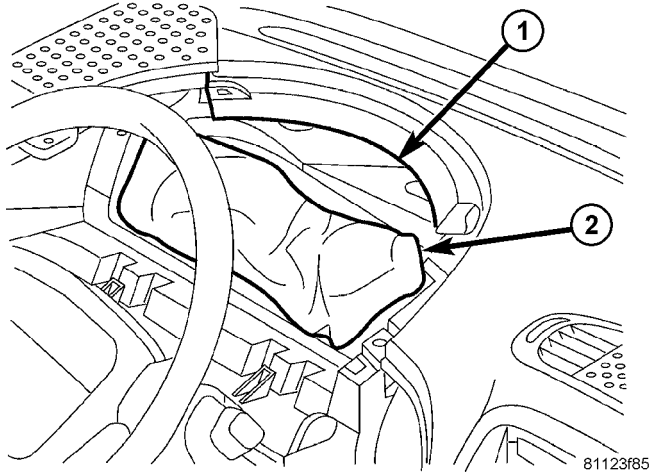
810F02F0

Fig. 15 INSTRUMENT PANEL TOP COVER

- 1 - SPEAKER COVERS (2)
- 2 - CENTER NOZZLE COVER
- 3 - INSTRUMENT PANEL TOP COVER
- 4 - TOP SCREWS (6)
- 5 - BRACKET/SCREW
- 6 - LOWER SCREWS (2)

- (16) Remove left outer and inner air nozzles.
- (17) Remove right side cover.
- (18) Remove right outer and inner air nozzles.
- (19) Remove protective matting from cluster location. (Fig. 14)

- (21) Remove vent hose. (Fig. 16)

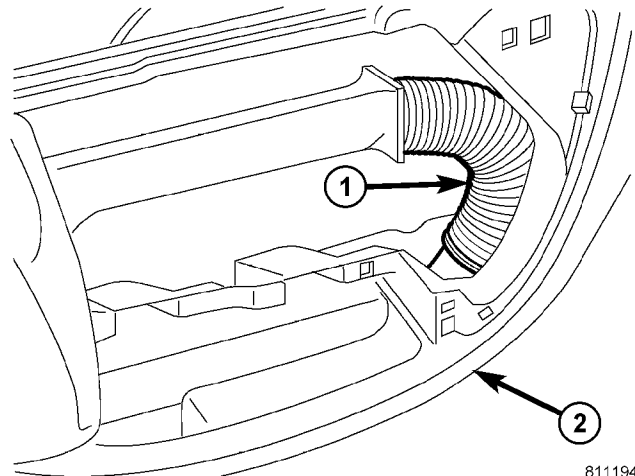


81123f85

Fig. 14 PROTECTIVE MAT

- 1 - CLUSTER OPENING
- 2 - PROTECTIVE MAT

- (20) Remove instrument panel top cover screws and cover. (Fig. 15)

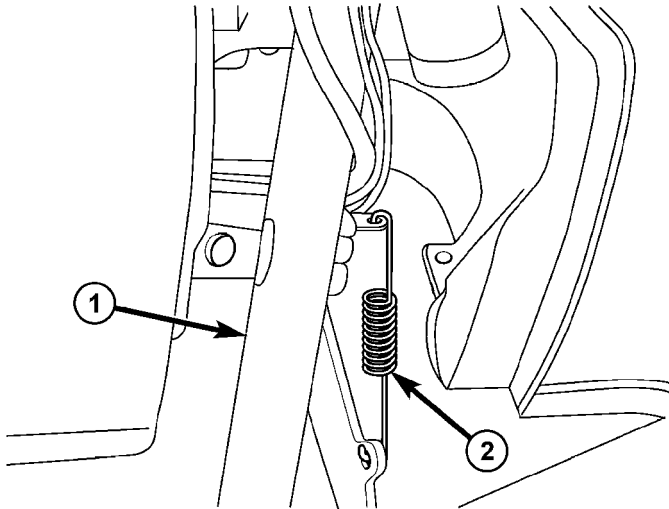


811194a3

Fig. 16 CENTER VENT HOSE

- 1 - VENT HOSE
- 2 - CENTER STACK

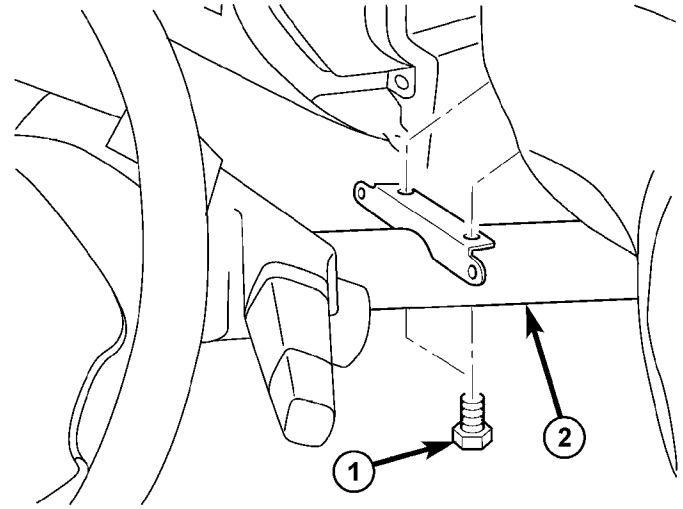
- (22) Remove brake pedal spring. (Fig. 17)



811194b6

Fig. 17 BRAKE PEDAL SPRING

- 1 - STEERING COLUMN
- 2 - SPRING

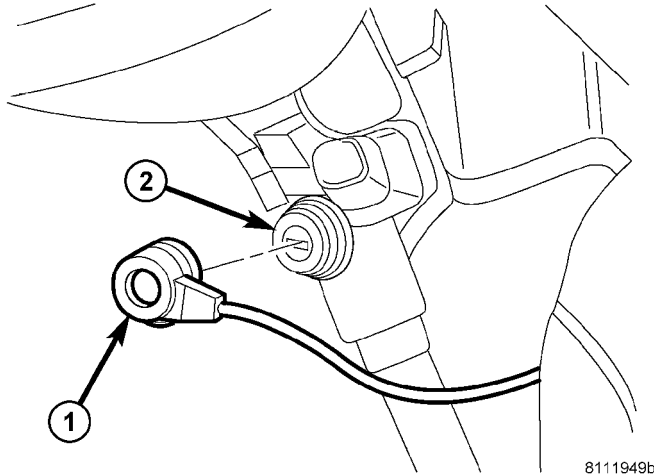


811194b2

Fig. 19 STEERING COLUMN BOLTS

- 1 - BOLTS (2)
- 2 - STEERING COLUMN

(23) Remove ignition transponder. (Fig. 18)



8111949b

Fig. 18 IGNITION TRANSPONDER

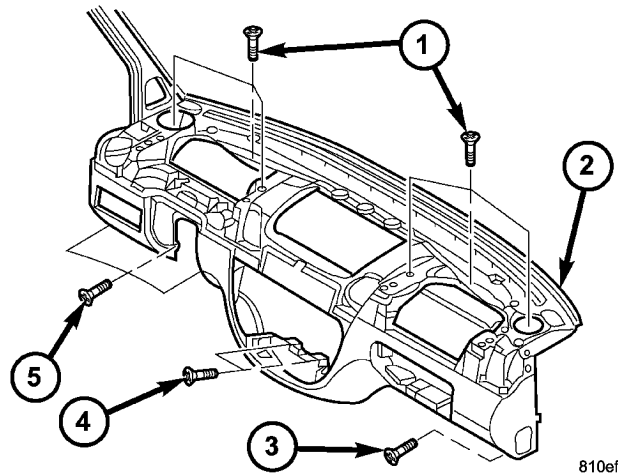
- 1 - COLUMN LOCK
- 2 - IGNITION TRANSPONDER

CAUTION: The position of the steering gear must not be altered again for the entire duration of the work procedure.

(24) Turn the steering wheel and lock the steering wheel in the straight ahead position.

(25) Remove steering column support bolts. (Fig. 19)

(26) Remove the screws and remove instrument panel. (Fig. 20)



810efbd2

Fig. 20 INSTRUMENT PANEL FASTENERS

- 1 - UPPER SCREWS (6)
- 2 - INSTRUMENT PANEL
- 3 - RIGHT SCREW
- 4 - CENTER SCREWS (2)
- 5 - LEFT SCREWS (3)

INSTALLATION

WARNING: ON VEHICLES EQUIPPED WITH AIRBAGS, DISABLE THE AIRBAG SYSTEM BEFORE ATTEMPTING ANY STEERING WHEEL, STEERING COLUMN, SEAT BELT TENSIONER, OR INSTRUMENT PANEL COMPONENT DIAGNOSIS OR SERVICE. DISCONNECT AND ISOLATE THE BATTERY NEGATIVE (GROUND) CABLE, THEN WAIT TWO MINUTES FOR THE AIRBAG SYSTEM CAPACITOR TO DISCHARGE BEFORE PERFORMING FURTHER DIAGNOSIS OR SERVICE. THIS IS THE ONLY SURE WAY TO DISABLE THE AIRBAG SYSTEM. FAILURE TO TAKE THE PROPER PRECAUTIONS COULD RESULT IN ACCIDENTAL AIRBAG DEPLOYMENT AND POSSIBLE PERSONAL INJURY.

- WHEN REMOVING A DEPLOYED AIRBAG, RUBBER GLOVES, EYE PROTECTION, AND A LONG-SLEEVED SHIRT SHOULD BE WORN. THERE MAY BE DEPOSITS ON THE AIRBAG UNIT AND OTHER INTERIOR SURFACES. IN LARGE DOSES, THESE DEPOSITS MAY CAUSE IRRITATION TO THE SKIN AND EYES.

- USE EXTREME CARE TO PREVENT ANY FOREIGN MATERIAL FROM ENTERING THE PASSENGER AIRBAG, OR BECOMING ENTRAPPED BETWEEN THE PASSENGER AIRBAG CUSHION AND THE PASSENGER AIRBAG DOOR. FAILURE TO OBSERVE THIS WARNING COULD RESULT IN OCCUPANT INJURIES UPON AIRBAG DEPLOYMENT.

- THE PASSENGER AIRBAG DOOR MUST NEVER BE PAINTED. REPLACEMENT PASSENGER AIRBAGS ARE SERVICED WITH DOORS IN THE ORIGINAL COLORS. PAINT MAY CHANGE THE WAY IN WHICH THE MATERIAL OF THE AIRBAG DOOR RESPONDS TO AN AIRBAG DEPLOYMENT. FAILURE TO OBSERVE THIS WARNING COULD RESULT IN OCCUPANT INJURIES UPON AIRBAG DEPLOYMENT.

- (1) Install the instrument panel.

NOTE: The guides on the bottom of the instrument panel must engage in the cutouts on the left and right next to the heater housing. (Fig. 21) (Fig. 22)

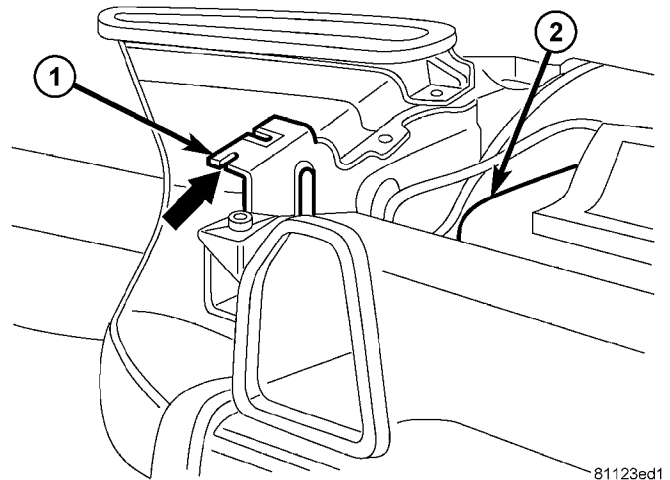


Fig. 21 ALIGNMENT CUTOUT - 1

- 1 - CUTOUT
- 2 - HEATER HOUSING

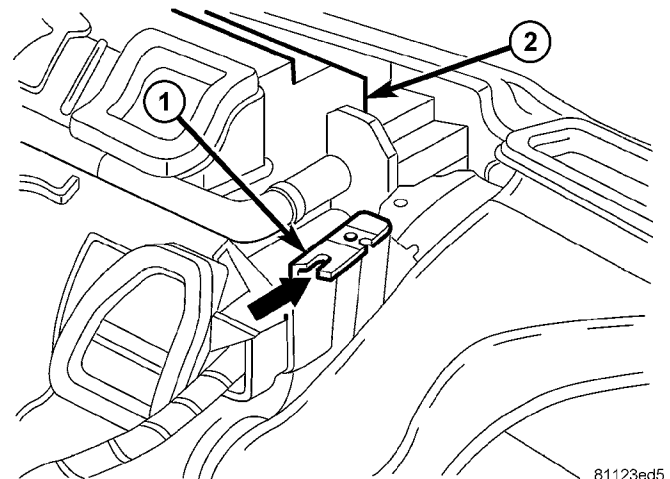


Fig. 22 ALIGNMENT CUTOUT - 2

- 1 - CUTOUT
- 2 - HEATER HOUSING

- (2) Route wire harness through the panel.
- (3) Install and tighten 12 instrument panel screws. (Fig. 20)

CAUTION: The position of the steering gear must not be altered.

- (4) Raise steering column into position and install the bolts. (Fig. 19)
- (5) Tighten steering column bolts to 25 N·m (18 ft. lbs.).
- (6) Install ignition transponder onto column lock. (Fig. 18)

NOTE: The dome on the transponder must engage into the groove on the ignition switch.

- (7) Install brake pedal spring. (Fig. 17)
- (8) Install vent hose. (Fig. 16)

- (9) Install instrument panel top cover and screws. (Fig. 15)
- (10) Install right outer and inner air nozzles. (Fig. 13)
- (11) Install right side cover and screws.
- (12) Wrap protective mat around connectors behind instrument cluster.
- (13) Install left outer and inner air nozzles.
- (14) Install left side cover and screws.
- (15) Install passenger side air nozzle cover and bracket and install the screws. (Fig. 12)
- (16) Position Power Distribution Center (PDC) in vehicle and connect electrical connectors. (Fig. 11)
- (17) Install PDC and install bolt and nut. (Fig. 10)
- (18) Install PDC ground cable and nut.
- (19) Install steering column shroud and install the two screws and one nut. (Fig. 9)
- (20) Install PDC cover and twist lock 1/4 turn to secure in place. (Fig. 8)
- (21) Connect electrical connectors and cables to air conditioning push-button module and install. (Fig. 7)
- (22) Install center bezel. (Refer to 23 - BODY/INSTRUMENT PANEL/INSTRUMENT PANEL CENTER BEZEL - INSTALLATION)
- (23) Install left and right speakers. (Refer to 8 - ELECTRICAL/AUDIO/SPEAKER - INSTALLATION)
- (24) Install passenger airbag. (Refer to 8 - ELECTRICAL/RESTRAINTS/PASSENGER AIRBAG - INSTALLATION)
- (25) Install instrument cluster. (Refer to 8 - ELECTRICAL/INSTRUMENT CLUSTER - INSTALLATION)
- (26) Install cup holder. (Refer to 23 - BODY/INSTRUMENT PANEL/CUP HOLDER - INSTALLATION)
- (27) Install glove compartment. (Refer to 23 - BODY/INSTRUMENT PANEL/GLOVE BOX - INSTALLATION)
- (28) Install radio. (Refer to 8 - ELECTRICAL/AUDIO/RADIO - INSTALLATION)
- (29) Connect battery negative cable.

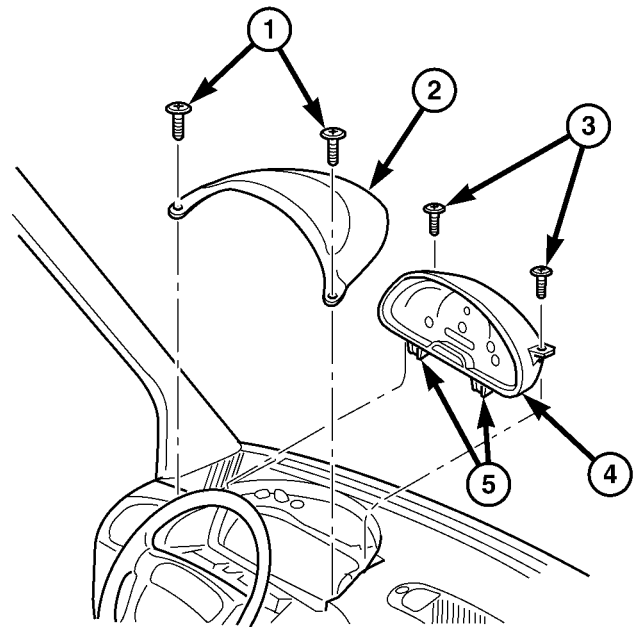
TOP COVER - CLUSTER

REMOVAL

WARNING: ON VEHICLES EQUIPPED WITH AIRBAGS, DISABLE THE AIRBAG SYSTEM BEFORE ATTEMPTING ANY STEERING WHEEL, STEERING COLUMN, SEAT BELT TENSIONER, OR INSTRUMENT PANEL COMPONENT DIAGNOSIS OR SERVICE. DISCONNECT AND ISOLATE THE BATTERY NEGATIVE (GROUND) CABLE, THEN WAIT TWO MINUTES FOR THE AIRBAG SYSTEM CAPACITOR TO DISCHARGE BEFORE PERFORMING FURTHER DIAGNOSIS OR SERVICE. THIS IS THE ONLY SURE WAY TO DISABLE THE AIRBAG SYSTEM. FAILURE

TO TAKE THE PROPER PRECAUTIONS COULD RESULT IN ACCIDENTAL AIRBAG DEPLOYMENT AND POSSIBLE PERSONAL INJURY.

- (1) Remove the screws and using a trim stick C-4755 or equivalent, remove the cover. (Fig. 23)



81098085

Fig. 23 Instrument Cluster Remove/Install

- 1 - SCREW (2)
- 2 - COVER
- 3 - SCREW (2)
- 4 - INSTRUMENT CLUSTER
- 5 - LOOP (2)

INSTALLATION

WARNING: ON VEHICLES EQUIPPED WITH AIRBAGS, DISABLE THE AIRBAG SYSTEM BEFORE ATTEMPTING ANY STEERING WHEEL, STEERING COLUMN, SEAT BELT TENSIONER, OR INSTRUMENT PANEL COMPONENT DIAGNOSIS OR SERVICE. DISCONNECT AND ISOLATE THE BATTERY NEGATIVE (GROUND) CABLE, THEN WAIT TWO MINUTES FOR THE AIRBAG SYSTEM CAPACITOR TO DISCHARGE BEFORE PERFORMING FURTHER DIAGNOSIS OR SERVICE. THIS IS THE ONLY SURE WAY TO DISABLE THE AIRBAG SYSTEM. FAILURE TO TAKE THE PROPER PRECAUTIONS COULD RESULT IN ACCIDENTAL AIRBAG DEPLOYMENT AND POSSIBLE PERSONAL INJURY.

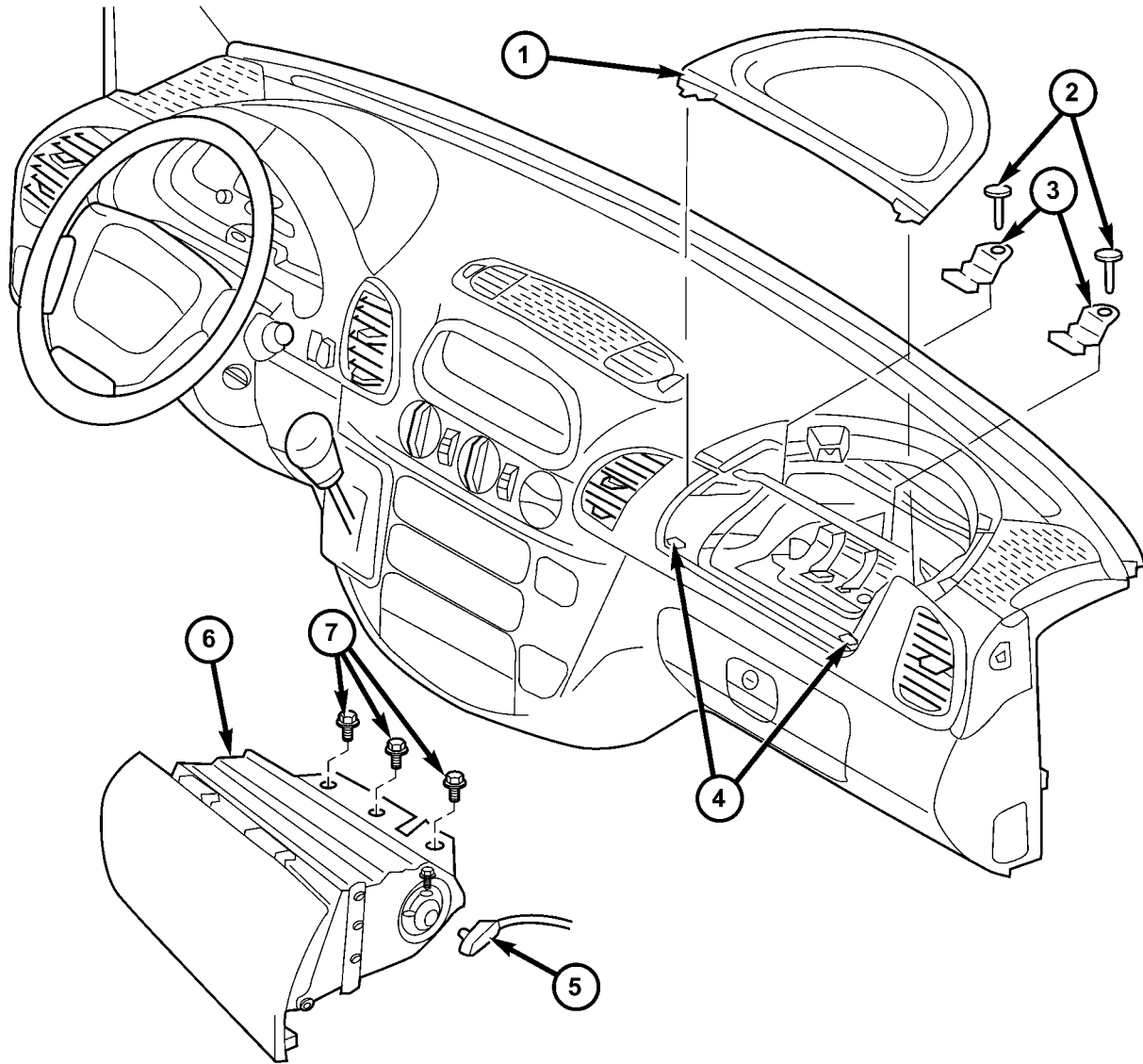
- (1) Position the cover and install the screws.

TOP COVER - TRAY

REMOVAL

WARNING: ON VEHICLES EQUIPPED WITH AIRBAGS, DISABLE THE AIRBAG SYSTEM BEFORE ATTEMPTING ANY STEERING WHEEL, STEERING COLUMN, SEAT BELT TENSIONER, OR INSTRUMENT PANEL COMPONENT DIAGNOSIS OR SERVICE. DISCONNECT AND ISOLATE THE BATTERY NEGATIVE (GROUND) CABLE, THEN WAIT TWO MINUTES FOR THE AIRBAG SYSTEM CAPACITOR TO DISCHARGE BEFORE PERFORMING FURTHER DIAGNOSIS OR SERVICE. THIS IS THE ONLY SURE WAY TO DISABLE THE AIRBAG SYSTEM. FAILURE TO TAKE THE PROPER PRECAUTIONS COULD RESULT IN ACCIDENTAL AIRBAG DEPLOYMENT AND POSSIBLE PERSONAL INJURY.

(1) Using a trim stick C-4755 or equivalent, remove the tray. (Fig. 24)



810baf16

Fig. 24 Passenger Airbag Remove/Install

- 1 - TRAY
- 2 - SCREW (2)
- 3 - UPPER CLIP (2)
- 4 - LOWER CLIP (2)
- 5 - CONNECTOR
- 6 - PASSENGER AIRBAG
- 7 - SCREW (3)

INSTALLATION

WARNING: ON VEHICLES EQUIPPED WITH AIRBAGS, DISABLE THE AIRBAG SYSTEM BEFORE ATTEMPTING ANY STEERING WHEEL, STEERING COLUMN, SEAT BELT TENSIONER, OR INSTRUMENT PANEL COMPONENT DIAGNOSIS OR SERVICE. DISCONNECT AND ISOLATE THE BATTERY NEGATIVE (GROUND) CABLE, THEN WAIT TWO MINUTES FOR THE AIRBAG SYSTEM CAPACITOR TO DISCHARGE BEFORE PERFORMING FURTHER

DIAGNOSIS OR SERVICE. THIS IS THE ONLY SURE WAY TO DISABLE THE AIRBAG SYSTEM. FAILURE TO TAKE THE PROPER PRECAUTIONS COULD RESULT IN ACCIDENTAL AIRBAG DEPLOYMENT AND POSSIBLE PERSONAL INJURY.

- (1) Position the tray and seat the clips fully.

TOP COVER

REMOVAL

WARNING: ON VEHICLES EQUIPPED WITH AIRBAGS, DISABLE THE AIRBAG SYSTEM BEFORE ATTEMPTING ANY STEERING WHEEL, STEERING COLUMN, SEAT BELT TENSIONER, OR INSTRUMENT PANEL COMPONENT DIAGNOSIS OR SERVICE. DISCONNECT AND ISOLATE THE BATTERY NEGATIVE (GROUND) CABLE, THEN WAIT TWO MINUTES FOR THE AIRBAG SYSTEM CAPACITOR TO DISCHARGE BEFORE PERFORMING FURTHER DIAGNOSIS OR SERVICE. THIS IS THE ONLY SURE WAY TO DISABLE THE AIRBAG SYSTEM. FAILURE TO TAKE THE PROPER PRECAUTIONS COULD RESULT IN ACCIDENTAL AIRBAG DEPLOYMENT AND POSSIBLE PERSONAL INJURY.

- **WHEN REMOVING A DEPLOYED AIRBAG, RUBBER GLOVES, EYE PROTECTION, AND A LONG-SLEEVED SHIRT SHOULD BE WORN. THERE MAY BE DEPOSITS ON THE AIRBAG UNIT AND OTHER INTERIOR SURFACES. IN LARGE DOSES, THESE DEPOSITS MAY CAUSE IRRITATION TO THE SKIN AND EYES.**

- **USE EXTREME CARE TO PREVENT ANY FOREIGN MATERIAL FROM ENTERING THE PASSENGER AIRBAG, OR BECOMING ENTRAPPED BETWEEN THE PASSENGER AIRBAG CUSHION AND THE PASSENGER AIRBAG DOOR. FAILURE TO OBSERVE THIS WARNING COULD RESULT IN OCCUPANT INJURIES UPON AIRBAG DEPLOYMENT.**

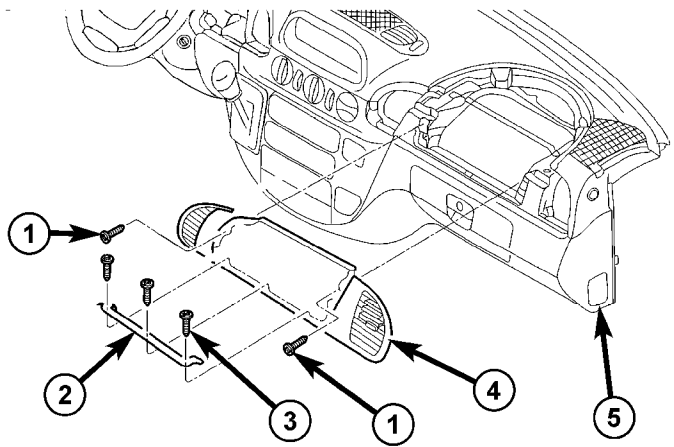
- **THE PASSENGER AIRBAG DOOR MUST NEVER BE PAINTED. REPLACEMENT PASSENGER AIRBAGS ARE SERVICED WITH DOORS IN THE ORIGINAL COLORS. PAINT MAY CHANGE THE WAY IN WHICH THE MATERIAL OF THE AIRBAG DOOR RESPONDS TO AN AIRBAG DEPLOYMENT. FAILURE TO OBSERVE THIS WARNING COULD RESULT IN OCCUPANT INJURIES UPON AIRBAG DEPLOYMENT.**

(1) Disconnect and isolate the battery negative cable.

(2) Remove radio. (Refer to 8 - ELECTRICAL/AUDIO/RADIO - REMOVAL)

(3) Remove passenger airbag. (Refer to 8 - ELECTRICAL/RESTRAINTS/PASSENGER AIRBAG - REMOVAL)

(4) Remove screws and remove passenger side air nozzle cover. (Fig. 25)



81119381

Fig. 25 PASSENGER SIDE AIR NOZZLE COVER

- 1 - FRONT SCREWS (2)
- 2 - BRACKET
- 3 - BRACKET SCREWS
- 4 - NOZZLE COVER
- 5 - INSTRUMENT PANEL

(5) Remove accessory switch bezel. (Refer to 23 - BODY/INSTRUMENT PANEL/ACCESSORY SWITCH BEZEL - REMOVAL)

(6) Remove a-pillar trim. (Refer to 23 - BODY/INTERIOR/A-PILLAR TRIM - REMOVAL)

(7) Remove speaker covers. (Fig. 26)

(8) Remove screw and bracket.

(9) Remove lower screws.

(10) Remove upper screws.

(11) Pull top cover toward rear and remove.

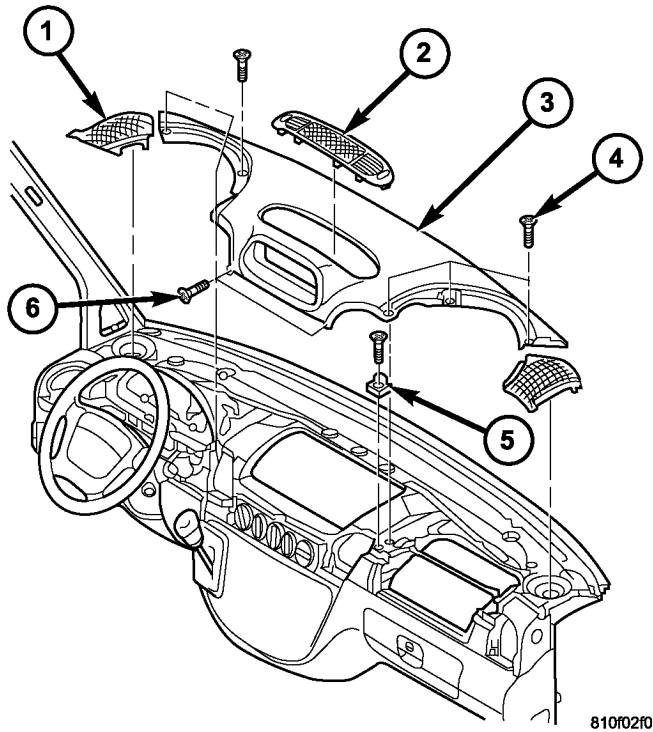


Fig. 26 INSTRUMENT PANEL TOP COVER

- 1 - SPEAKER COVERS (2)
- 2 - CENTER NOZZLE COVER
- 3 - INSTRUMENT PANEL TOP COVER
- 4 - TOP SCREWS (6)
- 5 - BRACKET/SCREW
- 6 - LOWER SCREWS (2)

INSTALLATION

WARNING: ON VEHICLES EQUIPPED WITH AIRBAGS, DISABLE THE AIRBAG SYSTEM BEFORE ATTEMPTING ANY STEERING WHEEL, STEERING COLUMN, SEAT BELT TENSIONER, OR INSTRUMENT PANEL COMPONENT DIAGNOSIS OR SERVICE. DISCONNECT AND ISOLATE THE BATTERY NEGATIVE (GROUND) CABLE, THEN WAIT TWO MINUTES FOR THE AIRBAG SYSTEM CAPACITOR TO DISCHARGE BEFORE PERFORMING FURTHER DIAGNOSIS OR SERVICE. THIS IS THE ONLY SURE WAY TO DISABLE THE AIRBAG SYSTEM. FAILURE TO TAKE THE PROPER PRECAUTIONS COULD RESULT IN ACCIDENTAL AIRBAG DEPLOYMENT AND POSSIBLE PERSONAL INJURY.

- WHEN REMOVING A DEPLOYED AIRBAG, RUBBER GLOVES, EYE PROTECTION, AND A LONG-SLEEVED SHIRT SHOULD BE WORN. THERE MAY BE DEPOSITS ON THE AIRBAG UNIT AND OTHER INTERIOR SURFACES. IN LARGE DOSES, THESE DEPOSITS MAY CAUSE IRRITATION TO THE SKIN AND EYES.

- USE EXTREME CARE TO PREVENT ANY FOREIGN MATERIAL FROM ENTERING THE PASSENGER AIRBAG, OR BECOMING ENTRAPPED BETWEEN THE PASSENGER AIRBAG CUSHION

AND THE PASSENGER AIRBAG DOOR. FAILURE TO OBSERVE THIS WARNING COULD RESULT IN OCCUPANT INJURIES UPON AIRBAG DEPLOYMENT.

- THE PASSENGER AIRBAG DOOR MUST NEVER BE PAINTED. REPLACEMENT PASSENGER AIRBAGS ARE SERVICED WITH DOORS IN THE ORIGINAL COLORS. PAINT MAY CHANGE THE WAY IN WHICH THE MATERIAL OF THE AIRBAG DOOR RESPONDS TO AN AIRBAG DEPLOYMENT. FAILURE TO OBSERVE THIS WARNING COULD RESULT IN OCCUPANT INJURIES UPON AIRBAG DEPLOYMENT.

(1) Position top cover and slide toward front of vehicle.

NOTE: Observe cable routing for radio: The leads should not be located above the air duct.

- (2) Install upper and lower screws.
- (3) Install screw and bracket.
- (4) Position speaker covers and seat fully.
- (5) Install a-pillar trim. (Refer to 23 - BODY/INTERIOR/A-PILLAR TRIM - INSTALLATION)
- (6) Install accessory switch bezel. (Refer to 23 - BODY/INSTRUMENT PANEL/ACCESSORY SWITCH BEZEL - INSTALLATION)
- (7) Install passenger side air nozzle cover and bracket and install the screws.
- (8) Install passenger airbag. (Refer to 8 - ELECTRICAL/RESTRAINTS/PASSENGER AIRBAG - INSTALLATION)
- (9) Install radio. (Refer to 8 - ELECTRICAL/AUDIO/RADIO - INSTALLATION)
- (10) Connect battery negative cable.

STEERING COLUMN OPENING COVER

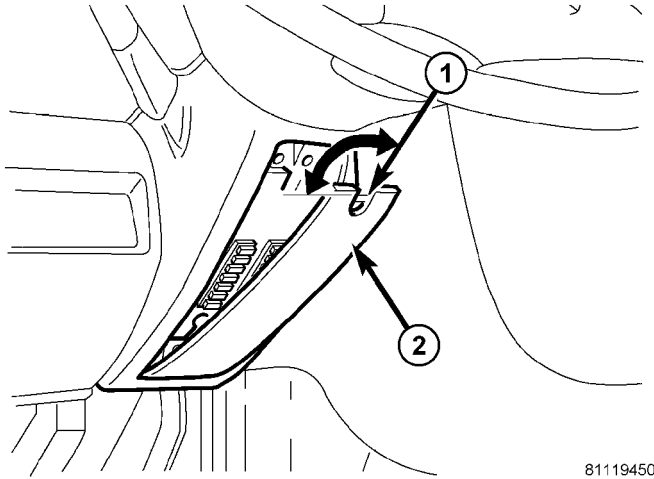
REMOVAL

WARNING: ON VEHICLES EQUIPPED WITH AIRBAGS, DISABLE THE AIRBAG SYSTEM BEFORE ATTEMPTING ANY STEERING WHEEL, STEERING COLUMN, SEAT BELT TENSIONER, OR INSTRUMENT PANEL COMPONENT DIAGNOSIS OR SERVICE. DISCONNECT AND ISOLATE THE BATTERY NEGATIVE (GROUND) CABLE, THEN WAIT TWO MINUTES FOR THE AIRBAG SYSTEM CAPACITOR TO DISCHARGE BEFORE PERFORMING FURTHER DIAGNOSIS OR SERVICE. THIS IS THE ONLY SURE WAY TO DISABLE THE AIRBAG SYSTEM. FAILURE TO TAKE THE PROPER PRECAUTIONS COULD RESULT IN ACCIDENTAL AIRBAG DEPLOYMENT AND POSSIBLE PERSONAL INJURY.

- (1) Twist cover lock 1/4 turn and remove Power Distribution Center cover. (Fig. 27)
- (2) Remove nut and screws and remove steering column shroud. (Fig. 28)

TO TAKE THE PROPER PRECAUTIONS COULD RESULT IN ACCIDENTAL AIRBAG DEPLOYMENT AND POSSIBLE PERSONAL INJURY.

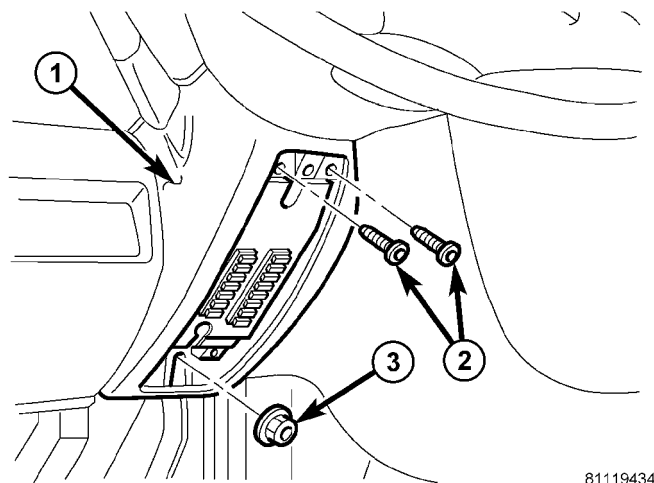
- (1) Install steering column shroud and install the two screws and one nut.
- (2) Install Power Distribution Center cover and twist lock 1/4 turn to secure in place.



81119450

Fig. 27 ELECTRICAL CENTER COVER

- 1 - COVER LOCK
- 2 - COVER



81119434

Fig. 28 STEERING COLUMN SHROUD

- 1 - SHROUD
- 2 - SCREWS (2)
- 3 - NUT

INSTALLATION

WARNING: ON VEHICLES EQUIPPED WITH AIRBAGS, DISABLE THE AIRBAG SYSTEM BEFORE ATTEMPTING ANY STEERING WHEEL, STEERING COLUMN, SEAT BELT TENSIONER, OR INSTRUMENT PANEL COMPONENT DIAGNOSIS OR SERVICE. DISCONNECT AND ISOLATE THE BATTERY NEGATIVE (GROUND) CABLE, THEN WAIT TWO MINUTES FOR THE AIRBAG SYSTEM CAPACITOR TO DISCHARGE BEFORE PERFORMING FURTHER DIAGNOSIS OR SERVICE. THIS IS THE ONLY SURE WAY TO DISABLE THE AIRBAG SYSTEM. FAILURE

INTERIOR

TABLE OF CONTENTS

	page		page
INTERIOR		INSTALLATION	73
CAUTION	70	HEADLINER	
A-PILLAR TRIM		REMOVAL	73
REMOVAL	70	INSTALLATION	74
INSTALLATION	71	QUARTER TRIM PANEL	
ASSIST HANDLE		REMOVAL	74
REMOVAL	71	INSTALLATION	75
INSTALLATION	71	REAR VIEW MIRROR	
B-PILLAR TRIM		REMOVAL	75
REMOVAL	71	INSTALLATION	75
INSTALLATION	72	INSTALLATION	75
BULKHEAD TRIM PANEL		INSTALLATION - REAR VIEW MIRROR	75
REMOVAL	72	SUPPORT BRACKET	75
INSTALLATION	72	STEPWELL SCUFF PADS	
CARPETS AND FLOOR MATS		REMOVAL	75
REMOVAL	72	INSTALLATION	76
INSTALLATION	73	SUN VISOR	
COWL TRIM		REMOVAL	76
REMOVAL	73	INSTALLATION	76
INSTALLATION	73		
D-PILLAR TRIM			
REMOVAL	73		

INTERIOR

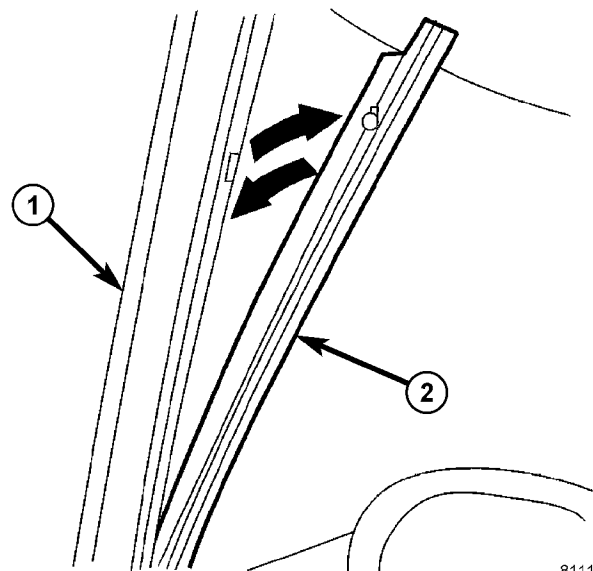
CAUTION

CAUTION:: Do not attempt to remove interior trim panels/moldings without first removing the necessary adjacent panels. To avoid damaging the panels, ensure that all the screws and clips are removed before attempting to remove an interior trim panel/molding. Trim panels are somewhat flexible but can be damaged if handled improperly.

A - PILLAR TRIM

REMOVAL

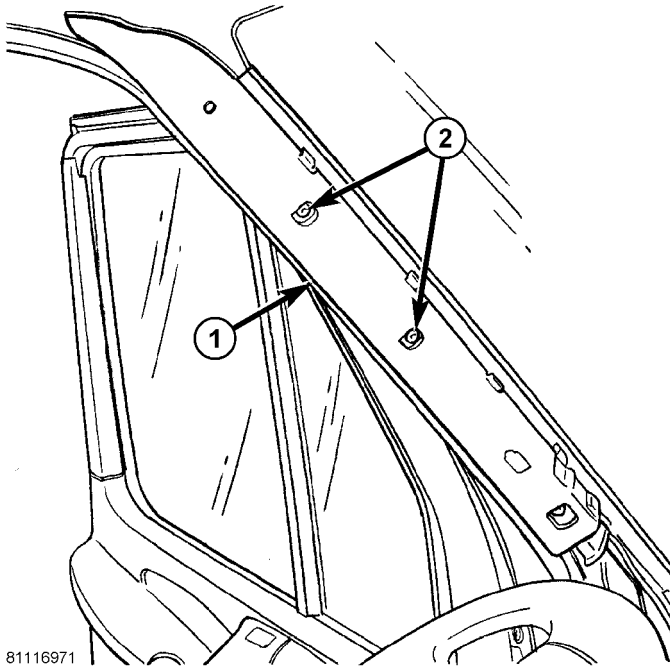
- (1) Using a trim stick C-4755 or equivalent, separate the top of the a-pillar trim.
- (2) Pull top of a-pillar trim out and pull trim up and remove. (Fig. 1)
- (3) Remove the four screws and remove the foam trim support. (Fig. 2)



8111a720

Fig. 1 A-PILLAR TRIM

- 1 - A-PILLAR
- 2 - TRIM PANEL



81116971

Fig. 2 A-PILLAR SUPPORT FOAM

- 1 - SUPPORT FOAM
- 2 - SCREWS (4)

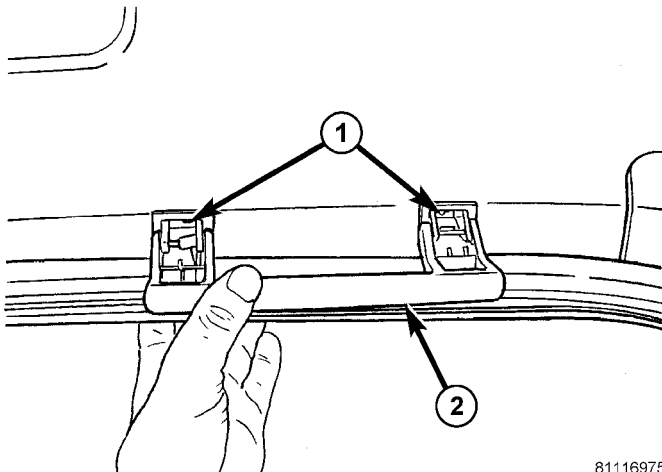
INSTALLATION

- (1) Install the foam support and install the screws.
- (2) Install the a-pillar trim bottom and push the top in toward a-pillar.
- (3) Seat the retaining clips fully.

ASSIST HANDLE

REMOVAL

- (1) Hold the handle in the down position and remove the screws. (Fig. 3)



81116975

Fig. 3 ASSIST HANDLE

- 1 - SCREWS (2)
- 2 - ASSIST HANDLE

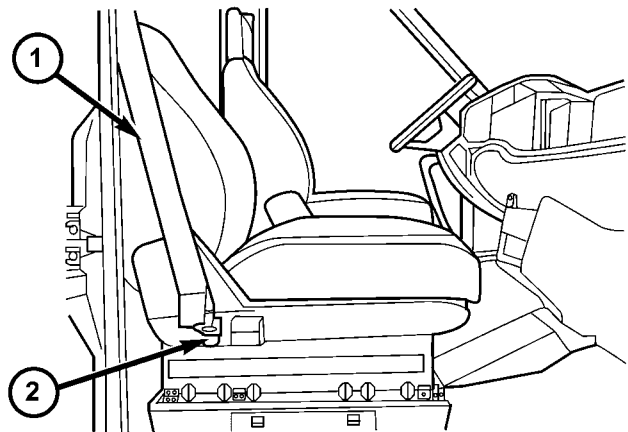
INSTALLATION

- (1) Install the handle and install the screws.

B - PILLAR TRIM

REMOVAL

- (1) Remove the lower seat belt anchor bolt. (Fig. 4)
- (2) Pull door opening weatherstrip away from flange along the b-pillar. (Fig. 5)
- (3) Using a trim stick C-4755 or equivalent, release the trim clips and remove the trim. (Fig. 6)



810ba2d4

Fig. 4 Front Seat Belt Lower Anchor

- 1 - FRONT SEAT BELT
- 2 - COVER AND/OR SCREW

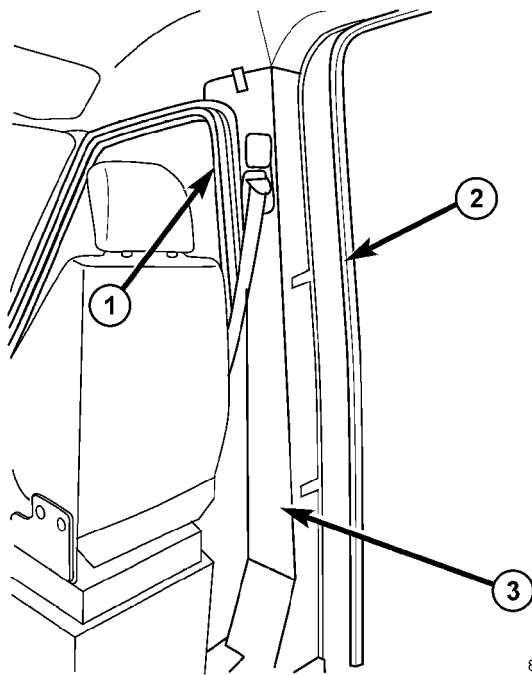


Fig. 5 B-PILLAR TRIM

- 1 - FRONT DOOR WEATHERSTRIP
 2 - B-PILLAR
 3 - B-PILLAR TRIM

8111693e

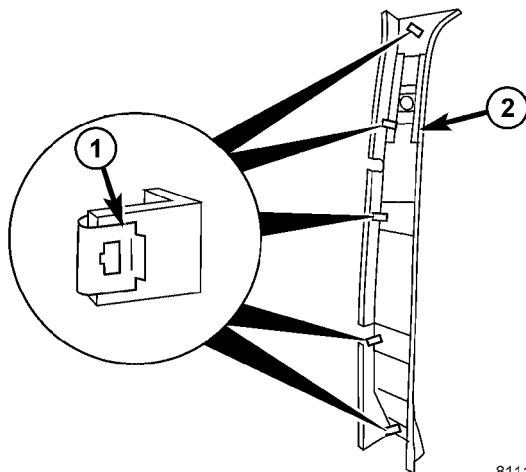


Fig. 6 B-PILLAR TRIM MOUNTING CLIPS

- 1 - RETAINING CLIPS (5)
 2 - B-PILLAR TRIM

81116930

INSTALLATION

- (1) Route the seat belt through the trim and mount the trim panel.
- (2) Seat the mounting clips fully.
- (3) Position the door opening weatherstrip back along the mounting flange.
- (4) Install the seat belt and mounting bolt.
- (5) Tighten the bolt to 35 N·m (26 ft. lbs.).

BULKHEAD TRIM PANEL

REMOVAL

- (1) Remove the rivets and remove the lower panel. (Fig. 7)
- (2) Remove the rivets and remove the upper panel.

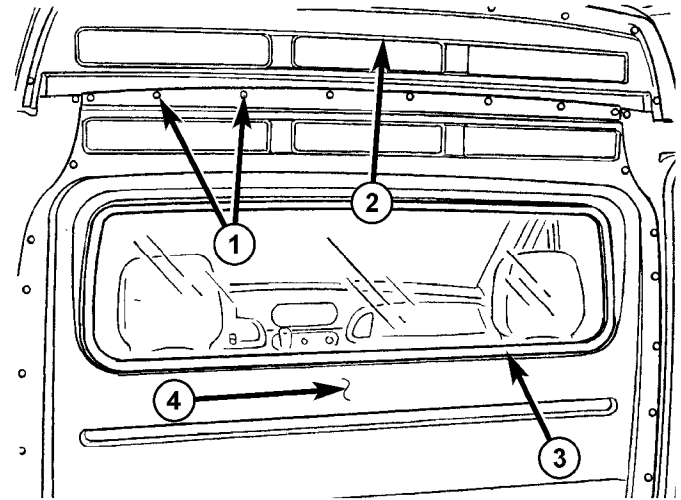


Fig. 7 BULKHEAD TRIM PANEL

- 1 - RIVETS
 2 - UPPER PANEL
 3 - PANEL GLASS
 4 - LOWER PANEL

81116e60

INSTALLATION

- (1) Install the upper panel and replace rivets.
- (2) Install the lower panel and replace rivets.

CARPETS AND FLOOR MATS

REMOVAL

Cargo / Passenger Van - Front

- (1) Remove the stepwell scuff pads. (Refer to 23 - BODY/INTERIOR/STEPWELL SCUFF PADS - REMOVAL)
- (2) Remove the three bolts and tray behind drivers seat.
- (3) Remove cup holder. (Refer to 23 - BODY/INSTRUMENT PANEL/CUP HOLDER - REMOVAL)
- (4) Remove the jack storage cover.
- (5) Remove carpet/mat.

Passenger Van - Rear

- (1) Remove seats. (Refer to 23 - BODY/SEATS/SEAT - REAR - REMOVAL)
- (2) Remove the screws and retaining strips.
- (3) Remove the seat striker assemblies.
- (4) Remove carpet/mat.

Cargo Van - Rear

- (1) Remove the screws and retaining strips.
- (2) Remove carpet/mat.

INSTALLATION**Cargo / Passenger Van - Front**

- (1) Position carpet/mat in vehicle.
- (2) Install the jack storage cover.
- (3) Install the cup holder. (Refer to 23 - BODY/INSTRUMENT PANEL/CUP HOLDER - INSTALLATION)
- (4) Install the tray behind the driver's seat and install the three bolts.
- (5) Install the stepwell scuff pads. (Refer to 23 - BODY/INTERIOR/STEPWELL SCUFF PADS - INSTALLATION)

Passenger Van - Rear

- (1) Position carpet/mat in vehicle.
- (2) Install the seat striker assemblies.
- (3) Install the retaining strips and screws.
- (4) Install the seats. (Refer to 23 - BODY/SEATS/SEAT - INSTALLATION)

Cargo Van - Rear

- (1) Position carpet/mat in vehicle.
- (2) Install the retaining strips and screws.

COWL TRIM**REMOVAL**

- (1) Position door weatherstrip aside.
- (2) Remove the jack storage cover, if necessary.
- (3) Position aside carpet/mat, if necessary.
- (4) Using a trim stick C-4755 or equivalent, remove the cowl trim panel.

INSTALLATION

- (1) Position the cowl trim panel and seat the clips fully.
- (2) Install the jack storage cover, if necessary.
- (3) Position the carpet/mat back.
- (4) Position the door weatherstrips back.

D - PILLAR TRIM**REMOVAL**

- (1) Remove the three plastic twist screws and remove the panel.

INSTALLATION

- (1) Install the panel and install the three twist screws.

HEADLINER**REMOVAL****Cab Section**

- (1) Remove the a-pillar trim. (Refer to 23 - BODY/INTERIOR/A-PILLAR TRIM - REMOVAL)
- (2) Remove the sun visors. (Refer to 23 - BODY/INTERIOR/SUN VISOR - REMOVAL)
- (3) Remove the b-pillar trim. (Refer to 23 - BODY/INTERIOR/B-PILLAR TRIM - REMOVAL)
- (4) Remove the assist handle. (Refer to 23 - BODY/INTERIOR/ASSIST HANDLE - REMOVAL)
- (5) Remove the dome light. (Refer to 8 - ELECTRICAL/LAMPS/LIGHTING - INTERIOR/CARGO LAMP UNIT - REMOVAL)
- (6) Carefully separate the headliner and remove.

Number 2 Section

- (1) Disconnect and isolate battery negative cable.
- (2) Remove the second and third row seats. (Refer to 23 - BODY/SEATS/SEAT - REAR - REMOVAL)

NOTE: If vehicle is not equipped with rear air conditioning unit, skip to step 8.

- (3) Remove the push pin fasteners and remove the rear air front duct cover.
- (4) Disconnect the electrical connector at front of cover.
- (5) Remove the push pin fasteners and remove the rear air middle duct cover.
- (6) Disconnect the electrical connector.
- (7) Remove the three push-pins and three screws and remove the rear air cover.
- (8) Remove the duct work.
- (9) Release clips at front and rear of headliner and remove.

Number 3 Section

- (1) Disconnect and isolate battery negative cable.
- (2) Remove the third and fourth row seats. (Refer to 23 - BODY/SEATS/SEAT - REAR - REMOVAL)

NOTE: If vehicle is not equipped with rear air conditioning unit, skip to step 8.

- (3) Remove the push pin fasteners and remove the rear air front duct cover.
- (4) Disconnect the electrical connector at front of cover.
- (5) Remove the push pin fasteners and remove the rear air middle duct cover.
- (6) Disconnect the electrical connector.
- (7) Remove the three push-pins and three screws and remove the rear air cover.
- (8) Remove the duct work.

(9) Release clips at front and rear of headliner and remove.

Number 4 Section

(1) Disconnect and isolate battery negative cable.
 (2) Remove the third and fourth row seats. (Refer to 23 - BODY/SEATS/SEAT - REAR - REMOVAL)

NOTE: If vehicle is not equipped with rear air conditioning unit, skip to step 8.

(3) Remove the push pin fasteners and remove the rear air front duct cover.
 (4) Disconnect the electrical connector at front of cover.
 (5) Remove the push pin fasteners and remove the rear air middle duct cover.
 (6) Disconnect the electrical connector.
 (7) Remove the three push-pins and three screws and remove the rear air cover.
 (8) Remove the duct work.
 (9) Release clips at front and rear of headliner and remove.

INSTALLATION

Cab Section

(1) Position the headliner in vehicle and seat fully.
 (2) Install dome light. (Refer to 8 - ELECTRICAL/LAMPS/LIGHTING - INTERIOR/CARGO LAMP UNIT - INSTALLATION)
 (3) Install assist handle. (Refer to 23 - BODY/INTERIOR/ASSIST HANDLE - INSTALLATION)
 (4) Install b-pillar trim. (Refer to 23 - BODY/INTERIOR/B-PILLAR TRIM - INSTALLATION)
 (5) Install the sun visors. (Refer to 23 - BODY/INTERIOR/SUN VISOR - INSTALLATION)
 (6) Install the a-pillar trim. (Refer to 23 - BODY/INTERIOR/A-PILLAR TRIM - INSTALLATION)
 (7) Connect battery negative cable.

Number 2 Section

(1) Position the headliner in vehicle and seat fully.

NOTE: If vehicle is not equipped with rear air conditioning unit, skip to step 8.

(2) Install rear air unit duct work.
 (3) Install the rear air unit rear cover and install the three screws and push-pins.
 (4) Connect the electrical connector and install the middle duct work cover.
 (5) Install the push pin fasteners.
 (6) Connect the electrical connector and install the front duct work cover.
 (7) Install the push pin fasteners.
 (8) Install the second and third row seats. (Refer to 23 - BODY/SEATS/SEAT - INSTALLATION)

(9) Connect battery negative cable.

Number 3 Section

(1) Position the headliner in vehicle and seat fully.

NOTE: If vehicle is not equipped with rear air conditioning unit, skip to step 8.

(2) Install rear air unit duct work.
 (3) Install the rear air unit rear cover and install the three screws and push-pins.
 (4) Connect the electrical connector and install the middle duct work cover.
 (5) Install the push pin fasteners.
 (6) Connect the electrical connector and install the front duct work cover.
 (7) Install the push pin fasteners.
 (8) Install the third and fourth row seats. (Refer to 23 - BODY/SEATS/SEAT - INSTALLATION)
 (9) Connect battery negative cable.

Number 4 Section

(1) Position the headliner in vehicle and seat fully.

NOTE: If vehicle is not equipped with rear air conditioning unit, skip to step 8.

(2) Install rear air unit duct work.
 (3) Install the rear air unit rear cover and install the three screws and push-pins.
 (4) Connect the electrical connector and install the middle duct work cover.
 (5) Install the push pin fasteners.
 (6) Connect the electrical connector and install the front duct work cover.
 (7) Install the push pin fasteners.
 (8) Install the third and fourth row seats. (Refer to 23 - BODY/SEATS/SEAT - INSTALLATION)
 (9) Connect battery negative cable.

QUARTER TRIM PANEL

REMOVAL

Passenger Van

(1) Remove seats as necessary. (Refer to 23 - BODY/SEATS/SEAT - REMOVAL)
 (2) Remove d-pillar trim if necessary. (Refer to 23 - BODY/INTERIOR/D-PILLAR TRIM - REMOVAL)
 (3) Using a trim stick C-4755 or equivalent, separate the push-pin fasteners and remove trim panels.

Cargo Van

(1) Remove bolts and remove tie down rings, if equipped.
 (2) Remove rivets and remove paneling

INSTALLATION

Passenger Van

- (1) Position trim panels and seat push-pin fasteners fully.
- (2) Install d-pillar trim, if necessary. (Refer to 23 - BODY/INTERIOR/D-PILLAR TRIM - INSTALLATION)
- (3) Install seats, if necessary. (Refer to 23 - BODY/SEATS/SEAT - INSTALLATION)

Cargo Van

- (1) Install paneling and replace rivets.
- (2) Install tie down rings and bolts, if equipped.

REAR VIEW MIRROR

REMOVAL

- (1) Slide mirror off support bracket.

INSTALLATION

INSTALLATION

- (1) Install the support bracket if necessary. (Refer to 23 - BODY/INTERIOR/REAR VIEW MIRROR - INSTALLATION - SUPPORT BRACKET)
- (2) Slide mirror onto support bracket fully.

INSTALLATION - REAR VIEW MIRROR SUPPORT BRACKET

- (1) Mark the position for the mirror bracket on the outside of the windshield glass with a wax pencil.
- (2) Clean the bracket contact area on the glass. Use a mild powdered cleanser on a cloth saturated with isopropyl (rubbing) alcohol. Finally, clean the glass with a paper towel dampened with alcohol.
- (3) Sand the surface on the support bracket with fine grit-sandpaper. Wipe the bracket surface clean with a paper towel.
- (4) Apply accelerator to the surface on the bracket according to the following instructions:
 - (a) Crush the vial to saturate the felt applicator.
 - (b) Remove the paper sleeve.
 - (c) Apply accelerator to the contact surface on the bracket.
 - (d) Allow the accelerator to dry for five minutes.
 - (e) Do not touch the bracket contact surface after the accelerator has been applied.
- (5) Apply adhesive accelerator to the bracket contact surface on the windshield glass. Allow the accelerator to dry for one minute. Do not touch the glass contact surface after the accelerator has been applied.
- (6) Install the bracket according to the following instructions:

- (a) Apply one drop of adhesive at the center of the bracket contact-surface on the windshield glass.
- (b) Apply an even coat of adhesive to the contact surface on the bracket.
- (c) Align the bracket with the marked position on the windshield glass.
- (d) Press and hold the bracket in place for at least one minute.

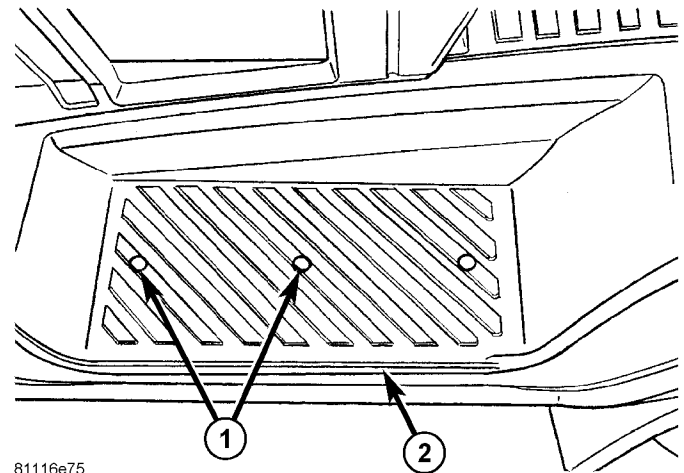
NOTE: Verify that the mirror support bracket is correctly aligned, because the adhesive will cure rapidly.

- (7) Allow the adhesive to cure for 8-10 minutes. Remove any excess adhesive with an alcohol-dampened cloth.
- (8) Allow the adhesive to cure for an additional 8-10 minutes before installing the mirror.

STEPWELL SCUFF PADS

REMOVAL

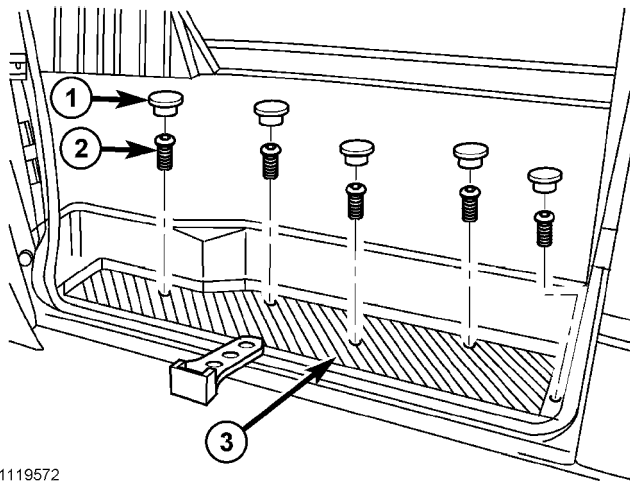
- (1) Remove screws and remove seat bracket if necessary.
- (2) Remove trim plugs and screws. (Fig. 8) and (Fig. 9)
- (3) Remove stepwell scuffs.



81116e75

Fig. 8 STEPWELL SCUFF PADS

- 1 - TRIM PLUGS
- 2 - STEPWELL



81119572

Fig. 9 SLIDING DOOR SCUFF PAD

- 1 - TRIM PLUGS
- 2 - SCREWS (5)
- 3 - SCUFF PAD

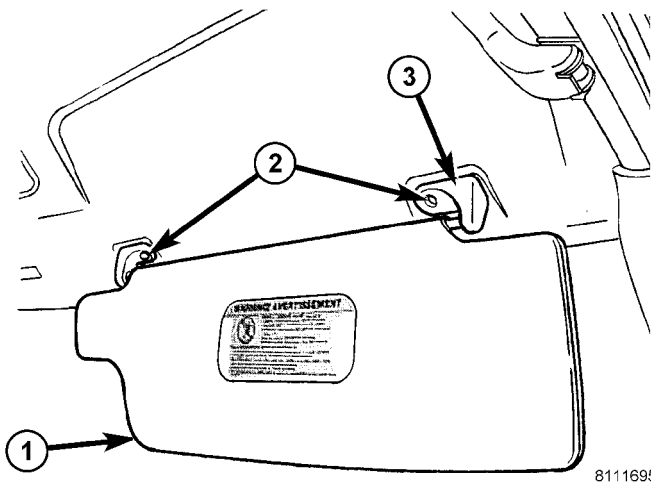
INSTALLATION

- (1) Install scuff pad and install the screws.
- (2) Install the trim plugs.
- (3) Install the seat bracket, if necessary.

SUN VISOR

REMOVAL

- (1) Remove the support screws and remove the visor. (Fig. 10)



81116953

Fig. 10 SUN VISOR

- 1 - SUN VISOR
- 2 - SCREWS
- 3 - SUPPORTS (2)

INSTALLATION

- (1) Position visor and support on header.
- (2) Install the screws.

PAINT

TABLE OF CONTENTS

	page		page
PAINT		STANDARD PROCEDURE - PAINT TOUCH-UP	. 77
SPECIFICATIONS - PAINT CODES 77	FINESSE SANDING/BUFFING & POLISH	
BASECOAT/CLEARCOAT FINISH		DESCRIPTION 78
DESCRIPTION 77		
PAINT TOUCH-UP			
DESCRIPTION 77		

PAINT

SPECIFICATIONS - PAINT CODES

EXTERIOR COLORS

EXTERIOR COLOR	DAIMLERCHRYSLER CODE
Steel Blue	MB 5389
Brilliant Blue	MB 5362
Orchid Green	MB 6464
Flame Red	MB 3534
Arctic White	MB 9147
Black Blue	MB 7103
Calcite Yellow	MB 1234
Piedmont Red	MB 3636
Hycanith Blue	MB 5376
Black Gray	MB 7103
Stone Gray	MB 7160
Silver Gray	MB 7708

BASECOAT / CLEARCOAT FINISH

DESCRIPTION

The original equipment finish is a multi step process that involves cleaning, applying electro de-position (E-coat), anti-chip primer, basecoat, and clearcoat steps.

On most vehicles a two-part paint application (basecoat/clearcoat) is used. Color paint that is applied to primer is called basecoat. The clear coat protects the basecoat from ultraviolet light and provides a durable high-gloss finish.

CAUTION: Do not use abrasive chemicals or compounds on painted surfaces. Damage to finish can result.

Do not use harsh alkaline based cleaning solvents on painted surfaces. Damage to finish or color can result.

PAINT TOUCH - UP

DESCRIPTION

When a painted metal surface has been scratched or chipped, it should be touched-up as soon as possible to avoid corrosion. For best results, use MOPAR® Scratch Filler/Primer, Touch-Up Paints and Clear Top Coat.

WARNING: USE AN OSHA APPROVED RESPIRATOR AND SAFETY GLASSES WHEN SPRAYING PAINT OR SOLVENTS IN A CONFINED AREA. PERSONAL INJURY CAN RESULT.

STANDARD PROCEDURE - PAINT TOUCH - UP

- (1) Scrape loose paint and corrosion from inside scratch or chip.
- (2) Clean affected area with MOPAR® Tar/Road Oil Remover or equivalent, and allow to dry.
- (3) Fill the inside of the scratch or chip with a coat of filler/primer. Do not overlap primer onto good surface finish. The applicator brush should be wet enough to puddle-fill the scratch or chip without running. Do not stroke brush applicator on body surface. Allow the filler/primer to dry hard.
- (4) Cover the filler/primer with color touch-up paint. Do not overlap touch-up color onto the original color coat around the scratch or chip. Butt the new color to the original color, if possible. Do not stroke applicator brush on body surface. Allow touch-up paint to dry hard.
- (5) On vehicles without clearcoat, the touch-up color can be lightly finesse sanded (1500 grit) and polished with rubbing compound.
- (6) On vehicles with clearcoat, apply clear top coat to touch-up paint with the same technique as

described in Step 4. Allow clear top coat to dry hard. If desired, Step 5 can be performed on clear top coat.

WARNING: AVOID PROLONGED SKIN CONTACT WITH PETROLEUM OR ALCOHOL – BASED CLEANING SOLVENTS. PERSONAL INJURY CAN RESULT. AVOID PROLONGED SKIN CONTACT WITH PETROLEUM OR ALCOHOL – BASED CLEANING SOLVENTS. PERSONAL INJURY CAN RESULT.

FINESSE SANDING / BUFFING & POLISH

DESCRIPTION

CAUTION: Do not remove more than .5 mils of clearcoat finish, if equipped. Basecoat paint must retain clearcoat for durability.

Use a Paint Thickness Gauge #PR-ETG-2X or equivalent to determine film thickness before and after the repair.

Minor acid etching, orange peel, or smudging in clearcoat or single-stage finishes can be reduced with light finesse sanding, hand buffing, and polishing. **If the finish has been finesse sanded in the past, it cannot be repeated. Finesse sanding operation should be performed by a trained automotive paint technician.**

SEATS

TABLE OF CONTENTS

	page		page
ARMREST		SEAT ADJUSTERS - FRONT	
REMOVAL	79	REMOVAL	81
INSTALLATION	79	INSTALLATION	81
HEADREST		SEAT - REAR	
REMOVAL	79	REMOVAL	81
INSTALLATION	79	INSTALLATION	82
SEAT - FRONT		REAR SEAT BACK SHIELD	
REMOVAL	79	REMOVAL	82
INSTALLATION	80	INSTALLATION	82
SEAT BACK - FRONT		SEAT BACK CUSHION/COVER - REAR	
REMOVAL	80	REMOVAL	82
INSTALLATION	80	INSTALLATION	82
SEAT CUSHION - FRONT		SEAT CUSHION/COVER - REAR	
REMOVAL	80	REMOVAL	83
INSTALLATION	81	INSTALLATION	83

ARMREST

REMOVAL

- (1) Remove the screws and remove the armrest cover.
- (2) Remove the three bolts and remove the armrest from the seat back.

INSTALLATION

- (1) Install the armrest and install the three bolts.
- (2) Install the armrest cover and install the screws.

HEADREST

REMOVAL

- (1) Press the release button and remove the headrest. (Fig. 1)

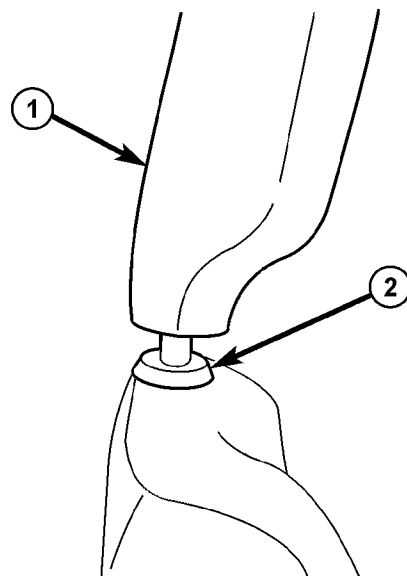


Fig. 1 HEAD REST

811067c

- 1 - HEADREST
- 2 - RELEASE BUTTON

INSTALLATION

- (1) Insert headrest posts into seat back and seat fully.

SEAT - FRONT

REMOVAL

- (1) Disconnect and isolate battery negative cable.
- (2) Remove the seat belt anchor bolt.
- (3) Remove the seat bolts.

(4) Disconnect the electrical connectors, if equipped.

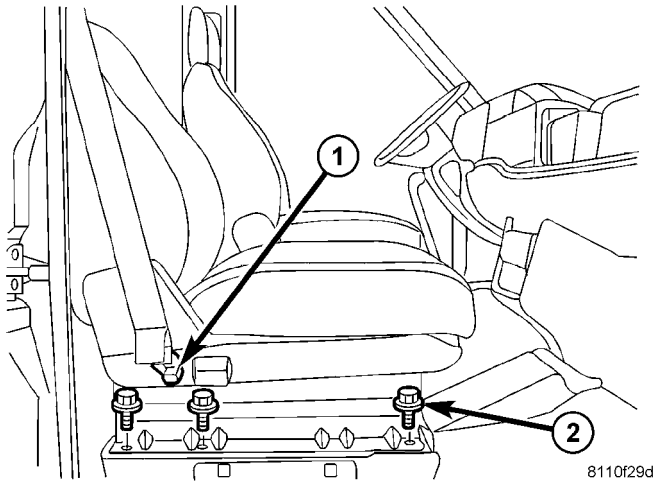


Fig. 2 FRONT SEAT

- 1 - SEAT BELT ANCHOR BOLT
2 - BOLTS (6)

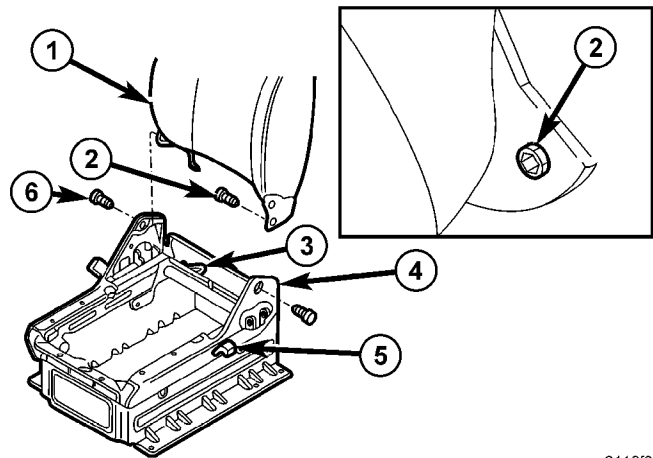
INSTALLATION

- (1) Position seat in vehicle and connect the electrical connectors, if equipped.
- (2) Install the mounting bolts and tighten to 25 N·m (18 ft. lbs.).
- (3) Install the seat belt anchor and bolt.
- (4) Tighten anchor bolt to 35 N·m (26 ft. lbs.).
- (5) Connect battery negative cable.

SEAT BACK - FRONT

REMOVAL

- (1) Disconnect and isolate battery negative cable.
- (2) Remove seat cushion. (Refer to 23 - BODY/SEATS/SEAT CUSHION - FRONT - REMOVAL)
- (3) Verify that seat back is in full upright position.
- (4) Disconnect lumbar support hose, if equipped. (Fig. 3)
- (5) Remove seat back bolts and remove seat back.



8110f327

Fig. 3 FRONT SEAT BACK

- 1 - SEAT BACK
2 - STOP BOLT
3 - LUMBAR SUPPORT HOSE
4 - GUIDE TAB
5 - RELEASE LEVER
6 - SEAT BACK BOLTS (2)

INSTALLATION

- (1) Remove stop screw.
- (2) Install seat back locking spline side first.

NOTE: For better centering of seat back in the mounting bore during installation, operate the seat back release lever once.

- (3) Install the spline side seat back bolt.
- (4) Install remaining seat back side.

NOTE: It may be necessary to press the guide tabs apart slightly.

- (5) Install the remaining seat back bolt.
- (6) Tighten the seat back bolts to 20 N·m (15 ft. lbs.).
- (7) Place seat back in the foremost position until the hold down spring latches audibly.
- (8) Install stop bolt and tighten to 20 N·m (15 ft. lbs.).
- (9) Connect the lumbar support hose, if equipped.
- (10) Check seat back operation.
- (11) Install the seat cushion. (Refer to 23 - BODY/SEATS/SEAT CUSHION - FRONT - INSTALLATION)

SEAT CUSHION - FRONT

REMOVAL

- (1) Disconnect and isolate battery negative cable.
- (2) Move seat to the foremost position.
- (3) On standard cushion equipped vehicles, remove the front two screws. (Fig. 4)

- (4) On comfort seat equipped vehicles, operate the front release lever. (Fig. 5)
- (5) Slide seat cushion forward and lift off the mounting points.
- (6) Disconnect the electrical connectors, if equipped.

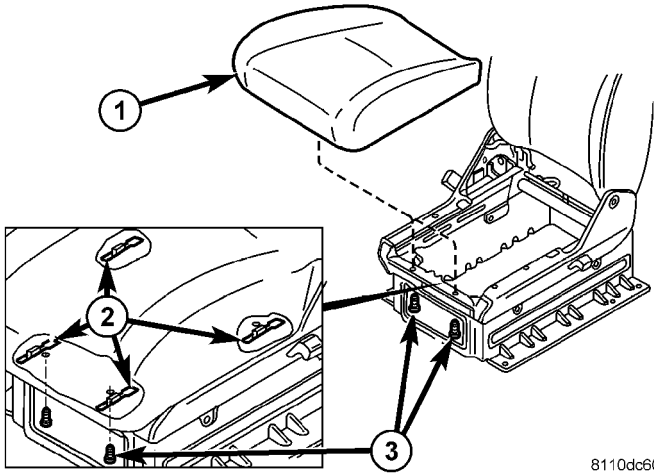


Fig. 4 STANDARD SEAT CUSHION

- 1 - SEAT CUSHION
- 2 - MOUNTING POINTS
- 3 - SCREWS (2)

8110dc60

SEAT ADJUSTERS - FRONT

REMOVAL

- (1) Remove the seat. (Refer to 23 - BODY/SEATS/SEAT - FRONT - REMOVAL)
- (2) Remove the seat back. (Refer to 23 - BODY/SEATS/SEAT BACK - FRONT - REMOVAL)
- (3) Remove the seat cushion. (Refer to 23 - BODY/SEATS/SEAT CUSHION - FRONT - REMOVAL)
- (4) Remove the four bolts attaching adjust to seat track.

INSTALLATION

- (1) Install the adjuster onto the seat track and install the bolts.
- (2) Install the seat back. (Refer to 23 - BODY/SEATS/SEAT BACK - FRONT - INSTALLATION)
- (3) Install the seat cushion. (Refer to 23 - BODY/SEATS/SEAT CUSHION - FRONT - INSTALLATION)
- (4) Install the seat. (Refer to 23 - BODY/SEATS/SEAT - FRONT - INSTALLATION)

SEAT - REAR

REMOVAL

- (1) Turn all release levers on the legs of the appropriate rear seat up. (Fig. 6) and (Fig. 7)
- (2) Lift seat up and out of the seat mounting cups.

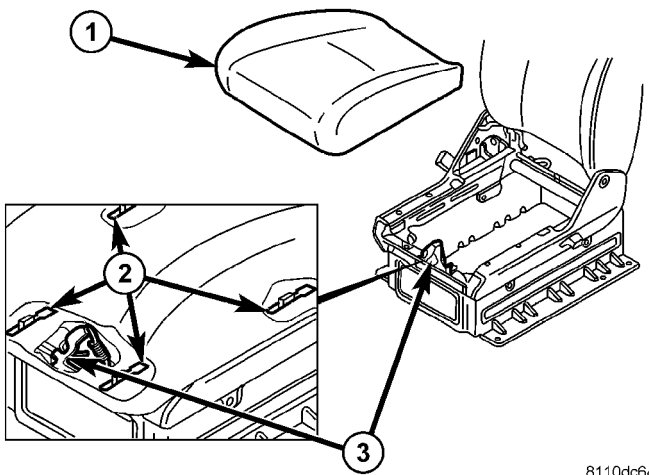


Fig. 5 COMFORT SEAT CUSHION

- 1 - SEAT CUSHION
- 2 - MOUNTING POINTS
- 3 - RELEASE LEVER

8110dc64

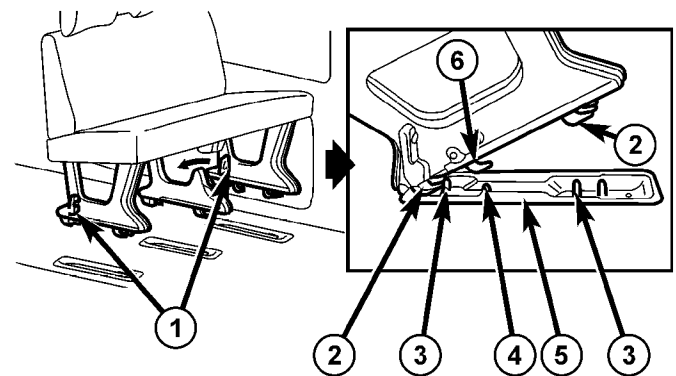


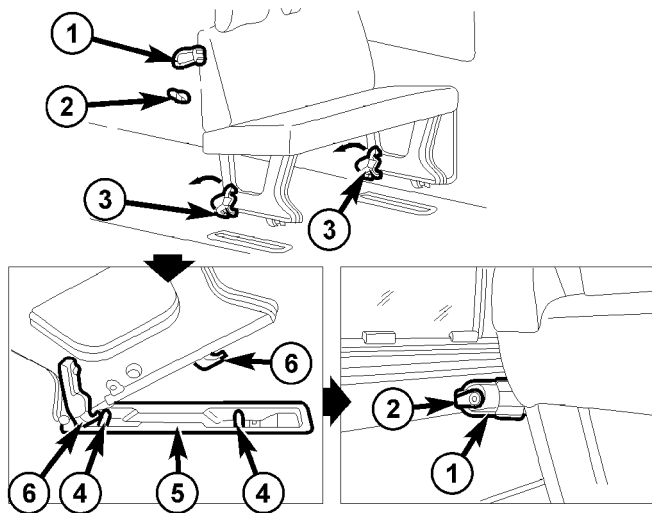
Fig. 6 THREE PASSENGER BENCH

- 1 - RELEASE LEVERS
- 2 - MOUNTING LEGS
- 3 - RETAINING BOLT
- 4 - RETAINING BOLT
- 5 - MOUNTING CUP
- 6 - MOUNTING LEG

8110f296

INSTALLATION

- (1) Connect seat cushion electrical connectors, if equipped.
- (2) Place seat cushion onto mounting points.
- (3) On comfort seat equipped vehicles, slide seat cushion to the rear until the arresting mechanism latches audibly.
- (4) On standard cushion equipped vehicles, install the front two screws.
- (5) Connect battery negative cable.



8110ef2a

Fig. 7 TWO PASSENGER BENCH

- 1 - RESTRAINT CABLE
- 2 - HOOK
- 3 - RELEASE LEVERS
- 4 - RETAINING BOLT
- 5 - MOUNTING CUP
- 6 - MOUNTING LEGS

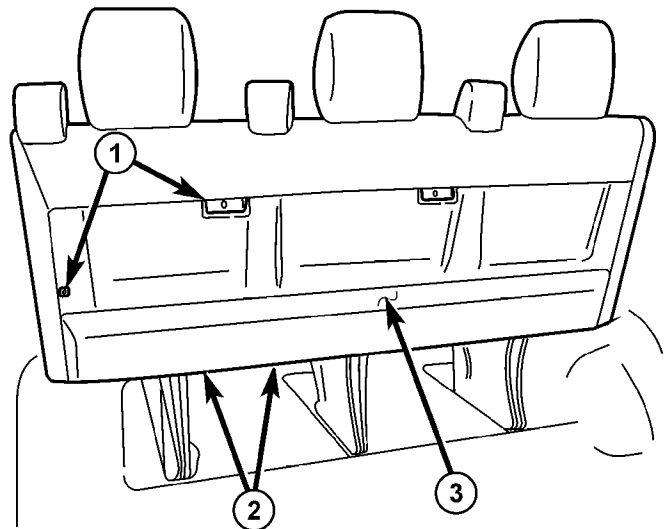
INSTALLATION

(1) With seat facing forward, insert mounting legs into the respective mounting cups.

(2) Slide seat forwards with some force as far as it will go, until the release levers are heard to engage and all release levers are parallel to the vehicle floor.

REAR SEAT BACK SHIELD**REMOVAL**

(1) Remove the screws and remove the panel. (Fig. 8)



8110f642

Fig. 8 REAR SEAT

- 1 - SCREWS (4)
- 2 - SCREWS (6)
- 3 - PANEL

INSTALLATION

(1) Install the panel and install the screws.

SEAT BACK CUSHION / COVER - REAR**REMOVAL**

(1) Remove seat. (Refer to 23 - BODY/SEATS/SEAT - REAR - REMOVAL)

(2) Remove seat back shield. (Refer to 23 - BODY/SEATS/REAR SEAT BACK SHIELD - REMOVAL)

(3) Remove seat belts as necessary to remove cover. (Refer to 8 - ELECTRICAL/RESTRAINTS/REAR SEAT BELT & RETRACTOR - REMOVAL)

(4) Remove seat belt buckles as necessary. (Refer to 8 - ELECTRICAL/RESTRAINTS/REAR SEAT BELT BUCKLE - REMOVAL)

(5) Remove the headrests. (Refer to 23 - BODY/SEATS/HEADREST - REMOVAL)

(6) Remove the headrest sleeves.

(7) Partially de-trim upper seat back.

(8) Remove the retaining covers at seat belt guides.

(9) Route belts through guides.

(10) Separate j-straps at seat back cover and remove cover/cushion.

INSTALLATION

(1) Install seat back cushion and cover.

(2) Connect j-straps.

(3) Route belts through guides.

(4) Install retaining covers at seat belt guides.

(5) Position upper seat back cover back into place.

- (6) Install the headrest sleeves.
- (7) Install the headrests. (Refer to 23 - BODY/SEATS/HEADREST - INSTALLATION)
- (8) Install the seat belt buckles. (Refer to 8 - ELECTRICAL/RESTRAINTS/REAR SEAT BELT BUCKLE - INSTALLATION)
- (9) Install the seat belts. (Refer to 8 - ELECTRICAL/RESTRAINTS/REAR SEAT BELT & RETRACTOR - INSTALLATION)
- (10) Install the seat back shield. (Refer to 23 - BODY/SEATS/REAR SEAT BACK SHIELD - INSTALLATION)
- (11) Install seat. (Refer to 23 - BODY/SEATS/SEAT - REAR - INSTALLATION)

SEAT CUSHION / COVER - REAR

REMOVAL

- (1) Remove seat. (Refer to 23 - BODY/SEATS/SEAT - REAR - REMOVAL)
- (2) Remove seat back shield. (Refer to 23 - BODY/SEATS/REAR SEAT BACK SHIELD - REMOVAL)
- (3) Remove the lower seat belt anchors as necessary. (Refer to 8 - ELECTRICAL/RESTRAINTS/REAR SEAT BELT & RETRACTOR - REMOVAL)
- (4) Remove seat belt buckles as necessary. (Refer to 8 - ELECTRICAL/RESTRAINTS/REAR SEAT BELT BUCKLE - REMOVAL)
- (5) Partially de-trim lower part of seat back.
- (6) Separate the cushion/cover j-straps and remove the seat cushion and cover from seat frame.

INSTALLATION

- (1) Install seat cushion and cover.
- (2) Connect the cover j-straps.
- (3) Position seat back cover, back.
- (4) Install the seat belt buckles. (Refer to 8 - ELECTRICAL/RESTRAINTS/REAR SEAT BELT BUCKLE - INSTALLATION)
- (5) Install the seat belt anchors. (Refer to 8 - ELECTRICAL/RESTRAINTS/REAR SEAT BELT & RETRACTOR - INSTALLATION)
- (6) Install the seat back shield. (Refer to 23 - BODY/SEATS/REAR SEAT BACK SHIELD - INSTALLATION)
- (7) Install seat. (Refer to 23 - BODY/SEATS/SEAT - REAR - INSTALLATION)

STATIONARY GLASS

TABLE OF CONTENTS

	page		page
BACKLITE - BULKHEAD TRIM PANEL		WINDSHIELD	
REMOVAL	84	WARNING	
INSTALLATION	84	WINDSHIELD SAFETY PRECAUTIONS	85
QUARTER WINDOW		REMOVAL	85
REMOVAL	84	INSTALLATION	86
INSTALLATION	84		

BACKLITE - BULKHEAD TRIM PANEL

REMOVAL

(1) Position an assistant opposite side of the bulkhead trim panel to receive the glass and weatherstrip seal.

(2) Start at an upper corner and separate the seal from the window opening. Push the glass and seal outward from the window opening. Remove the glass and seal.

(3) Remove seal from glass if necessary.

(4) Clean the window opening.

INSTALLATION

(1) Install the weatherstrip seal on the window glass. Verify that the glass is seated in the groove around the edge of the seal.

(2) Insert an installation cord in the weatherstrip seal inner groove.

NOTE: Use mineral spirits as a lubricant to aid seal installation in the window opening.

(3) Position the glass and seal in the trim panel opening.

(4) Pull the installation cord outward and force the seal lip over the panel flange around the edge of the opening. (Fig. 1)

(5) Seat the seal inner lip on the panel flange. Press against the lip around the edge of the seal.

NOTE: Remove any mineral spirits with a clean cloth after glass installation.

(6) Verify that the seal is seated in the trim panel opening.

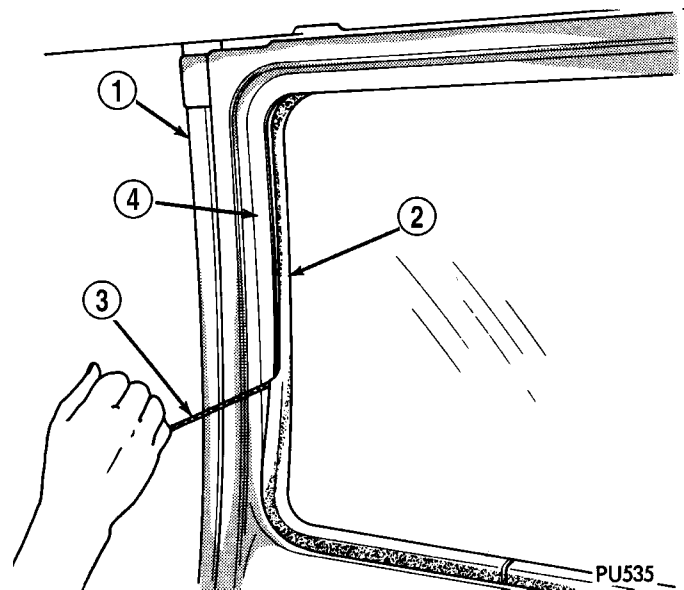


Fig. 1 Glass & Weatherstrip Seal Installation

- 1 - BULKHEAD TRIM PANEL
- 2 - WEATHERSTRIP SEAL
- 3 - INSTALLATION CORD
- 4 - TRIM PANEL FRAME

QUARTER WINDOW

REMOVAL

(1) Position an assistant outside the vehicle to receive the glass and weatherstrip seal.

(2) Start at an inside, upper corner. Separate the seal from the window opening. Push the glass and seal outward from the window opening. Remove the glass and seal.

(3) Clean the window opening.

INSTALLATION

(1) Install the weatherstrip seal on the window glass. Verify that the glass is seated in the groove around the edge of the seal.

(2) Insert an installation cord in the weatherstrip seal inner groove.

NOTE: Use mineral spirits as a lubricant to aid seal installation in the window opening.

- (3) Position the glass and seal in the window opening.
- (4) Pull the installation cord outward and force the seal lip over the panel flange around the edge of the opening.
- (5) Seat the seal inner lip on the panel flange. Press against the lip around the edge of the seal.

NOTE: Remove any mineral spirits with a clean cloth after glass installation.

- (6) Verify that the seal is seated in the window opening (Fig. 2).
- (7) Test the window for water leaks. (Refer to 23 - BODY - DIAGNOSIS AND TESTING - WATER LEAKS)

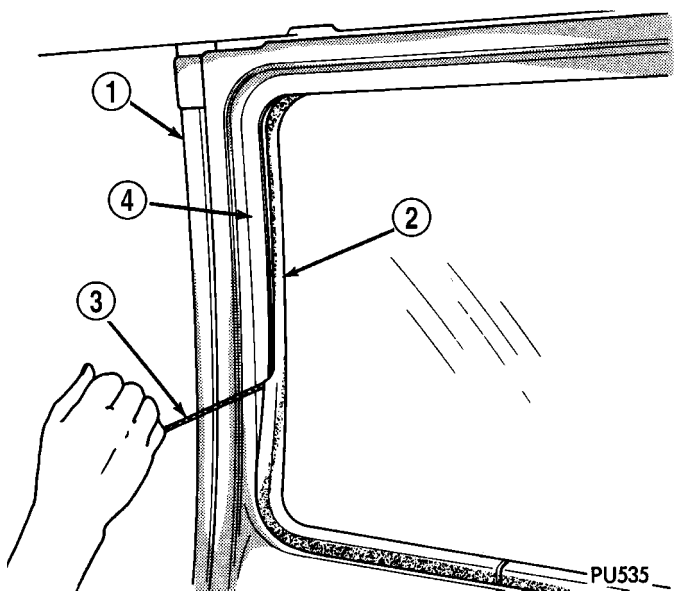


Fig. 2 Glass & Weatherstrip Seal Installation

- 1 - BODY PANEL
- 2 - WEATHERSTRIP SEAL
- 3 - INSTALLATION CORD
- 4 - WINDOW OPENING

WINDSHIELD

WARNING

WINDSHIELD SAFETY PRECAUTIONS

WARNING: DO NOT OPERATE THE VEHICLE WITHIN 24 HOURS OF WINDSHIELD INSTALLATION. IT TAKES AT LEAST 24 HOURS FOR URETHANE ADHESIVE TO CURE. IF IT IS NOT CURED, THE WINDSHIELD MAY NOT PERFORM PROPERLY IN AN ACCIDENT.

- URETHANE ADHESIVES ARE APPLIED AS A SYSTEM. USE GLASS CLEANER, GLASS PREP

SOLVENT, GLASS PRIMER, PVC (VINYL) PRIMER AND PINCH WELD (FENCE) PRIMER PROVIDED BY THE ADHESIVE MANUFACTURER. IF NOT, STRUCTURAL INTEGRITY COULD BE COMPROMISED.

- DAIMLERCHRYSLER DOES NOT RECOMMEND GLASS ADHESIVE BY BRAND. TECHNICIANS SHOULD REVIEW PRODUCT LABELS AND TECHNICAL DATA SHEETS, AND USE ONLY ADHESIVES THAT THEIR MANUFACTURES WARRANT WILL RESTORE A VEHICLE TO THE REQUIREMENTS OF FMVSS 212. TECHNICIANS SHOULD ALSO INSURE THAT PRIMERS AND CLEANERS ARE COMPATIBLE WITH THE PARTICULAR ADHESIVE USED.

- BE SURE TO REFER TO THE URETHANE MANUFACTURER'S DIRECTIONS FOR CURING TIME SPECIFICATIONS, AND DO NOT USE ADHESIVE AFTER ITS EXPIRATION DATE.

- VAPORS THAT ARE EMITTED FROM THE URETHANE ADHESIVE OR PRIMER COULD CAUSE PERSONAL INJURY. USE THEM IN A WELL-VENTILATED AREA.

- SKIN CONTACT WITH URETHANE ADHESIVE SHOULD BE AVOIDED. PERSONAL INJURY MAY RESULT.

- ALWAYS WEAR EYE AND HAND PROTECTION WHEN WORKING WITH GLASS.

CAUTION: Protect all painted and trimmed surfaces from coming in contact with urethane or primers. Be careful not to damage painted surfaces when removing moldings or cutting urethane around windshield.

REMOVAL

- (1) Remove wiper arms. (Refer to 8 - ELECTRICAL/WIPERS/WASHERS/WIPER ARMS - REMOVAL)

- (2) Remove headliner. (Refer to 23 - BODY/INTERIOR/HEADLINER - REMOVAL)

- (3) Remove rear view mirror. (Refer to 23 - BODY/INTERIOR/REAR VIEW MIRROR - REMOVAL)

CAUTION: Cover instrument panel and vents to protect against splinters and damage.

- (4) Using a trim stick C-4755 or equivalent, remove windshield seal. (Fig. 3)

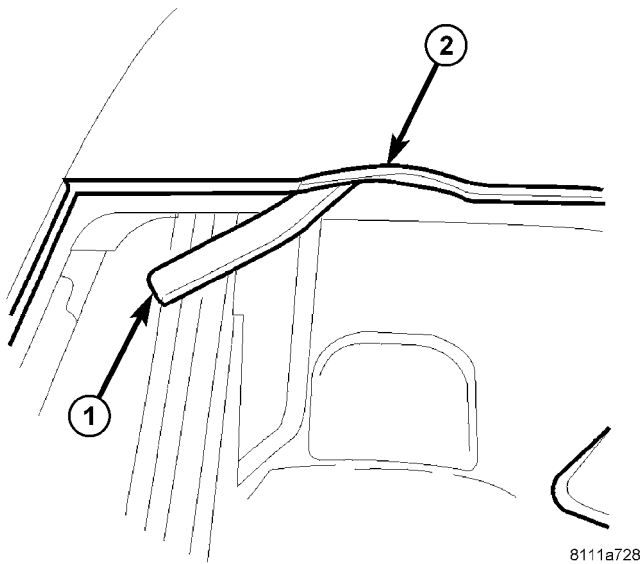


Fig. 3 WINDSHIELD SEAL

- 1 - WINDSHIELD SEAL
- 2 - TRIM STICK #4755

CAUTION: Fabricate a protection guard from 2 mm sheet plastic or equivalent to protect rubber instrument panel from damage.

(5) Place protection guard between windshield and instrument panel seal. (Fig. 4)

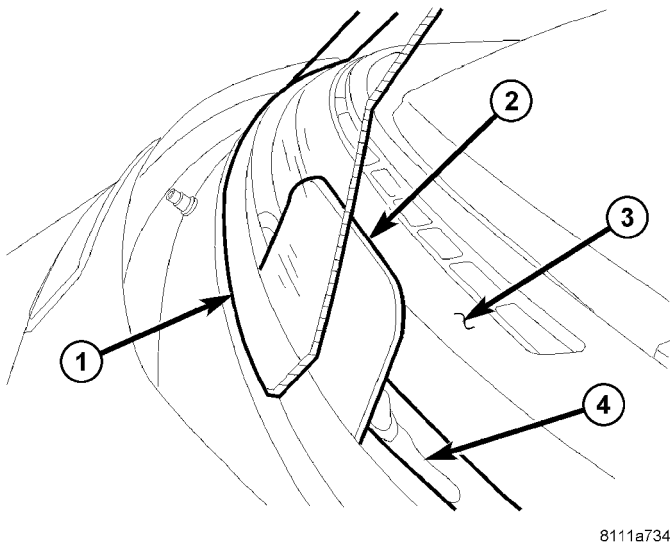


Fig. 4 INSTRUMENT PANEL SEAL

- 1 - WINDSHIELD
- 2 - SEAL PROTECTOR
- 3 - INSTRUMENT PANEL
- 4 - INSTRUMENT PANEL SEAL

(6) Using a windshield cut-out wire separate the adhesive. (Fig. 5)

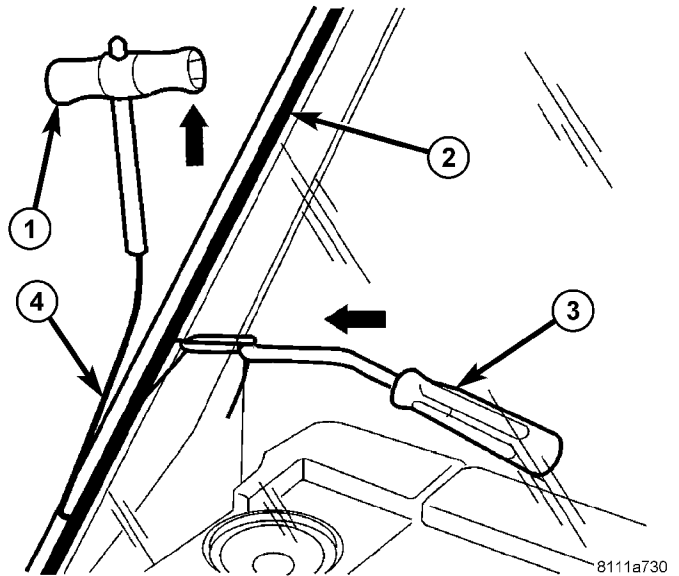


Fig. 5 ADHESIVE SEPARATION

- 1 - T-HANDLE
- 2 - WINDSHIELD ADHESIVE
- 3 - COUNTER SUPPORT
- 4 - CUTTING WIRE

(7) Carefully remove windshield.

INSTALLATION

WARNING: Allow the urethane at least 24 hours to cure before returning the vehicle to use.

CAUTION: Roll down the left and right front door glass and open the rear glass slider (if available) before installing windshield to avoid pressurizing the passenger compartment if a door is slammed before urethane is cured. Water leaks can result.

The windshield fence should be cleaned of most of its old urethane bonding material. A small amount of old urethane, approximately 1 mm in height, should remain on the fence. Do not grind off or completely remove all old urethane from the fence, the paint finish and bonding strength will be adversely affected.

Windshield Preparation - Installing A Previously Installed Windshield

(1) Level old bead of windshield adhesive to a thickness of approximately 1 mm (0.04 in.) and remove loose adhesive. (Fig. 6)

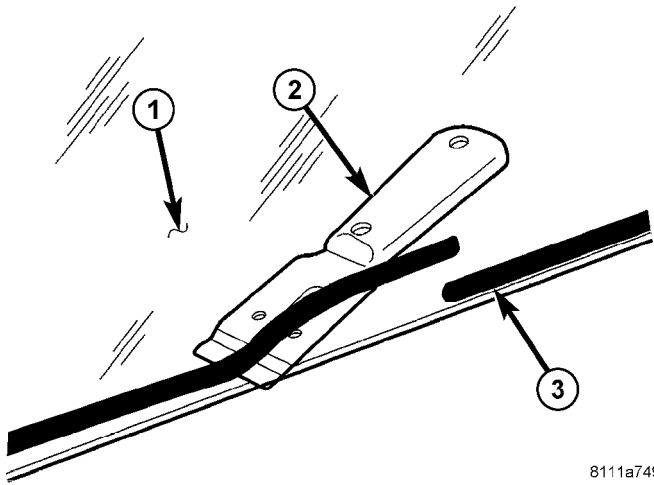


Fig. 6 WINDSHIELD ADHESIVE PREPARATION

- 1 - WINDSHIELD
- 2 - SCRAPER
- 3 - OLD ADHESIVE

(2) Position windshield seal onto windshield starting at one corner and quickly moving up and down. (Fig. 7)

CAUTION: Never moisten windshield seal with lubricants to facilitate installation.

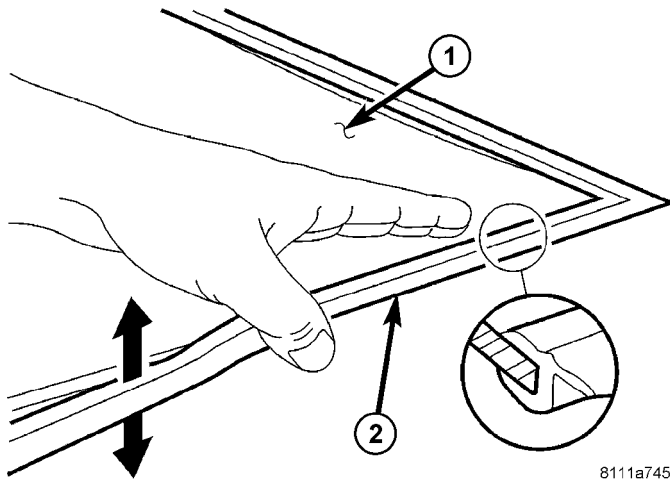


Fig. 7 WINDSHIELD SEAL INSTALLATION

- 1 - WINDSHIELD
- 2 - WINDSHIELD SEAL

(3) Position windshield in center of windshield opening.

(4) Apply adhesive tape to the locations shown to aid with final installation. (Fig. 8)

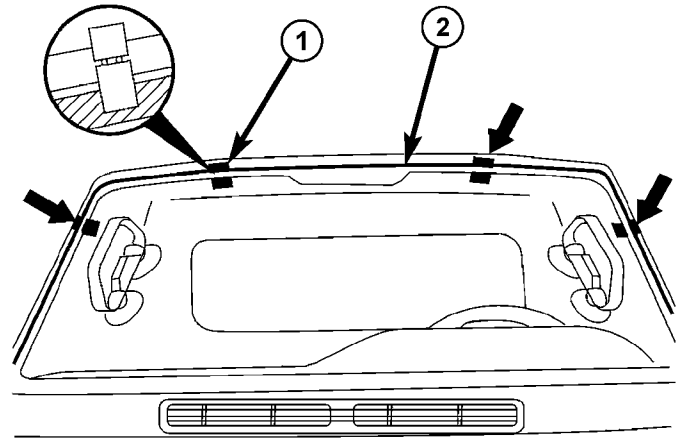


Fig. 8 WINDSHIELD POSITIONING

- 1 - TAPE
- 2 - WINDSHIELD FRAME

(5) Verify windshield gap is parallel to with windshield.

(6) Cut tape with a sharp knife and remove windshield.

(7) Clean and dry area of glass to be re-glued with a suitable glass preparation solvent and rag.

(8) Using a flash light, verify that glass primer is without damage.

(9) Re-prime any damaged area. If old adhesive has been exposed for more than 12 hours, entire adhesive area needs to be re-primed. (Fig. 9)

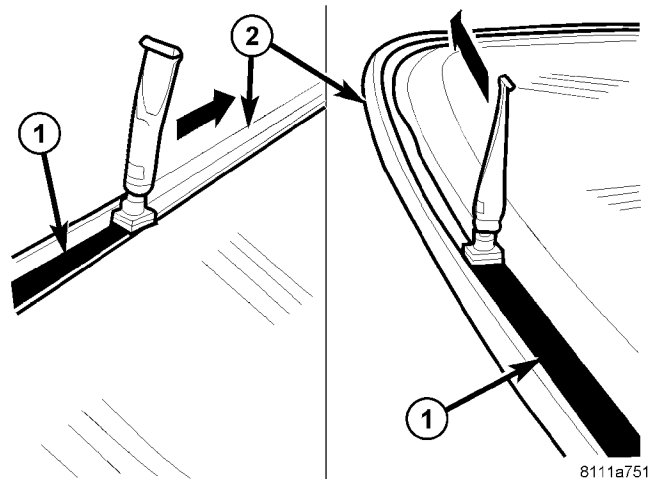


Fig. 9 WINDSHIELD PRIMER

- 1 - PRIMER
- 2 - WINDSHIELD SEAL

(10) Allow primer to air dry for at least 10 minutes.

(11) Using a flash light, verify that glass primer is without damage.

Windshield Preparation - Installing A New Windshield

- (1) Clean and check windshield for damage.
- (2) Position windshield seal onto windshield starting at one corner and quickly moving up and down. (Fig. 7)

CAUTION: Never moisten windshield seal with lubricants to facilitate installation.

- (3) Position windshield in center of windshield opening.
- (4) Apply adhesive tape to the locations shown to aid with final installation. (Fig. 8)
- (5) Verify windshield gap is parallel to with windshield.
- (6) Cut tape with a sharp knife and remove windshield.
- (7) Clean and dry area of glass to be glued with a suitable glass preparation solvent and rag.
- (8) Apply primer to gluing surface at windshield seal. (Fig. 9)
- (9) Allow primer to air dry for at least 10 minutes.
- (10) Using a flash light, verify that glass primer is without damage.

Windshield Opening Preparation

- (1) Clean and vacuum windshield opening.
- (2) Level old bead of windshield opening adhesive to a thickness of approximately 1 mm (0.04 in.) and remove loose adhesive. (Fig. 10)

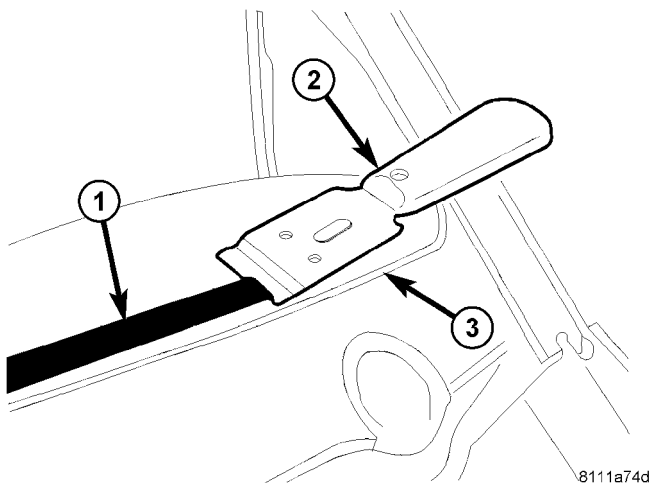


Fig. 10 WINDSHIELD OPENING PREPARATION

- 1 - OLD ADHESIVE
- 2 - SCRAPER
- 3 - WINDSHIELD OPENING

- (3) Clean and dry area of windshield opening to be re-glued with a suitable glass preparation solvent and rag.

- (4) Re-prime any damaged area. If old adhesive has been exposed for more than 12 hours, entire adhesive area needs to be re-primed. (Fig. 11)

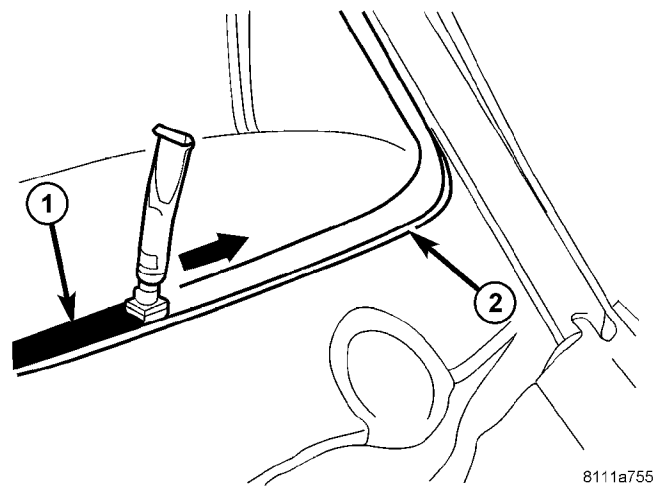


Fig. 11 WINDSHIELD OPENING PRIMER

- 1 - PRIMER
- 2 - WINDSHIELD OPENING

- (5) Allow primer to air dry for at least 10 minutes.

Windshield Installation

- (1) Apply bead of glue with a triangular nozzle directly to the windshield seal starting at bottom in center of windshield. (Fig. 12)

CAUTION: Always apply bead of adhesive to the windshield. Always install the windshield within 5 minutes after applying adhesive.

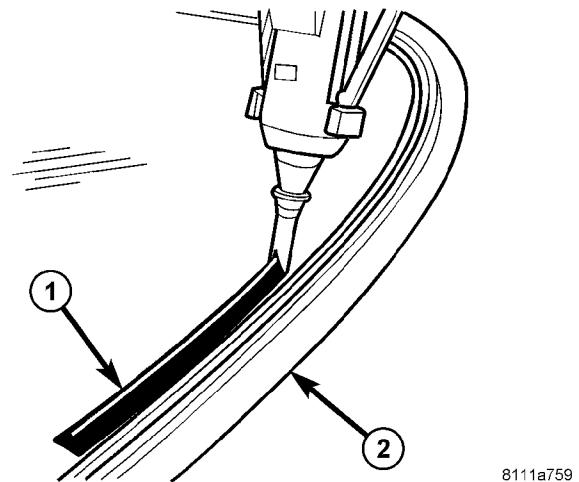


Fig. 12 WINDSHIELD ADHESIVE APPLICATION

- 1 - ADHESIVE BEAD
- 2 - WINDSHIELD SEAL

- (2) Allow end of adhesive bead to run out parallel to the start of the bead and smooth ends flush. (Fig. 13)

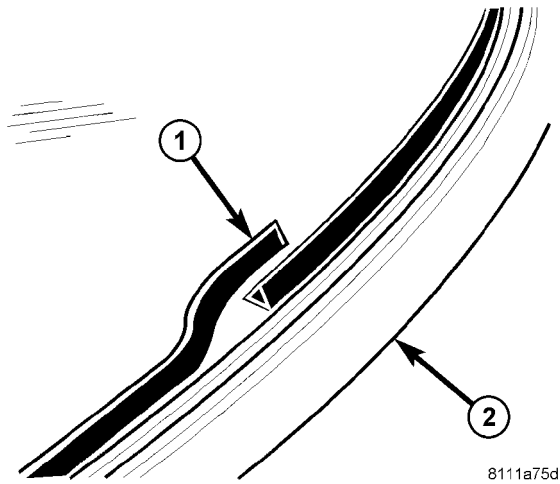


Fig. 13 WINDSHIELD ADHESIVE OVERLAP

- 1 - ADHESIVE BEAD
2 - WINDSHIELD SEAL

(3) Lift windshield into place in the center of the windshield opening and use the tape as a guide to aid installation of the windshield into the center of the cutout.

(4) Carefully lay down windshield and press on.

CAUTION: It is no longer possible to move the windshield after installation. The windshield should never be pressed into place by more than one person, because the windshield can break if pressed simultaneously on both sides.

CAUTION: Roll down the left and right front door glass and open the rear glass slider (if available) before installing windshield to avoid pressurizing the passenger compartment if a door is slammed before urethane is cured. Water leaks can result.

(1) Install the rear view mirror. (Refer to 23 - BODY/INTERIOR/REAR VIEW MIRROR - INSTALLATION)

(2) Install the headliner. (Refer to 23 - BODY/INTERIOR/HEADLINER - INSTALLATION)

(3) Install the wiper arms. (Refer to 8 - ELECTRICAL/WIPERS/WASHERS/WIPER ARMS - INSTALLATION)

WEATHERSTRIP / SEALS

TABLE OF CONTENTS

	page		page
FRONT DOOR INNER BELT WEATHERSTRIP		INSTALLATION	90
REMOVAL	90	DOOR OPENING SEALS	
INSTALLATION	90	REMOVAL	90
FRONT DOOR OUTER BELT WEATHERSTRIP		INSTALLATION	90
REMOVAL	90		

FRONT DOOR INNER BELT WEATHERSTRIP

REMOVAL

- (1) Remove the front door trim panel. (Refer to 23 - BODY/DOOR - FRONT/TRIM PANEL - REMOVAL)
- (2) Remove the inner belt weatherstrip.

INSTALLATION

- (1) Install the inner belt weatherstrip.
- (2) Install the trim panel. (Refer to 23 - BODY/DOOR - FRONT/TRIM PANEL - INSTALLATION)

FRONT DOOR OUTER BELT WEATHERSTRIP

REMOVAL

- (1) Remove door glass. (Refer to 23 - BODY/DOOR - FRONT/DOOR GLASS - REMOVAL)
- (2) Remove screws at window channel and remove channel.
- (3) Remove outer belt weatherstrip.

INSTALLATION

- (1) Install outer belt weatherstrip.
- (2) Install glass run channel and install the screws.
- (3) Install the door glass. (Refer to 23 - BODY/DOOR - FRONT/DOOR GLASS - INSTALLATION)

DOOR OPENING SEALS

REMOVAL

- (1) Open door and separate the door opening seal from the door opening flange.

INSTALLATION

- (1) Position the seal to the bottom of the door opening, with bulb facing outboard, starting the installation at the center of the lower flange. Press

the seal onto the sill flange and work around the perimeter of the door opening until fully seated. Work in one direction, smoothing the seal to avoid puckers or wrinkles.

- (2) When installing a new weatherstrip on the front door opening, remove the tear strip starting at the splice and moving around the front of the door to the back of the opening.

BODY STRUCTURE

TABLE OF CONTENTS

	page		page
GAP AND FLUSH SPECIFICATIONS	91	OPENING DIMENSIONS SPECIFICATIONS	93

GAP AND FLUSH SPECIFICATIONS

GAP & FLUSH DIMENSIONS INDEX

DESCRIPTION	FIGURE
FRONT DOORS	1
SLIDING DOORS	2
REAR DOORS	3

	LOCATION	GAP	FLUSH
1	Door at top.	7 ± 0.5	FLUSH
2	Door at upper b-pillar.	7 ± 0.5	Up to max 1 mm recessed, at rear with 1 mm overlap (wind noise)
3	Door at bottom.	8 ± 0.5	FLUSH
4	Door at wheelhouse.	7 ± 0.5	FLUSH
5	Door ridge at wheelhouse and b-pillar.	—	FLUSH
6	Door at a-pillar.	8 ± 0.5	FLUSH

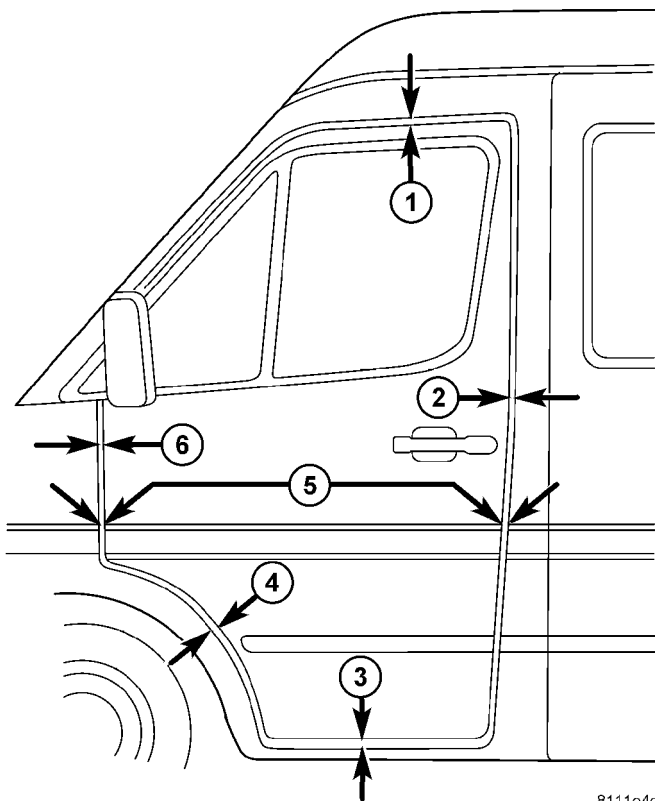
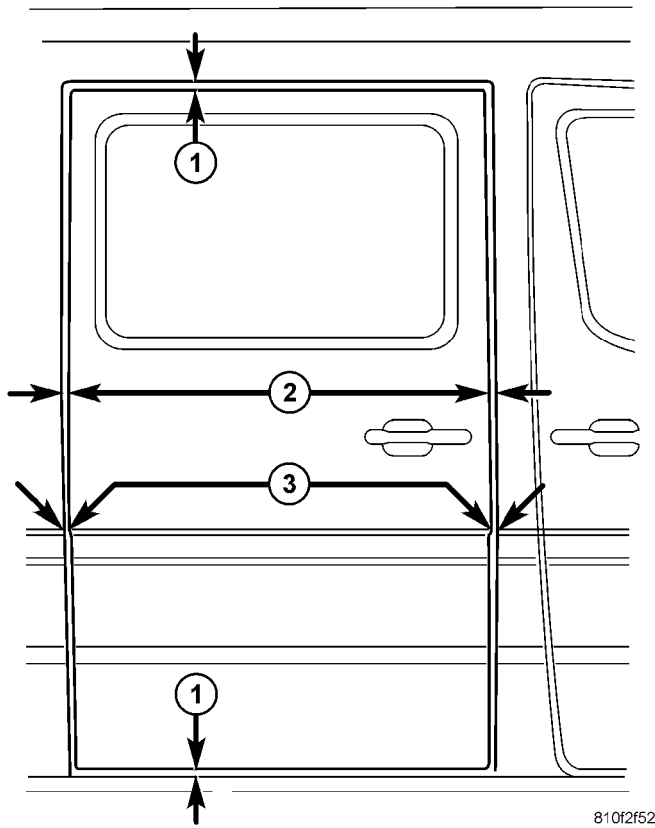


Fig. 1 FRONT DOOR

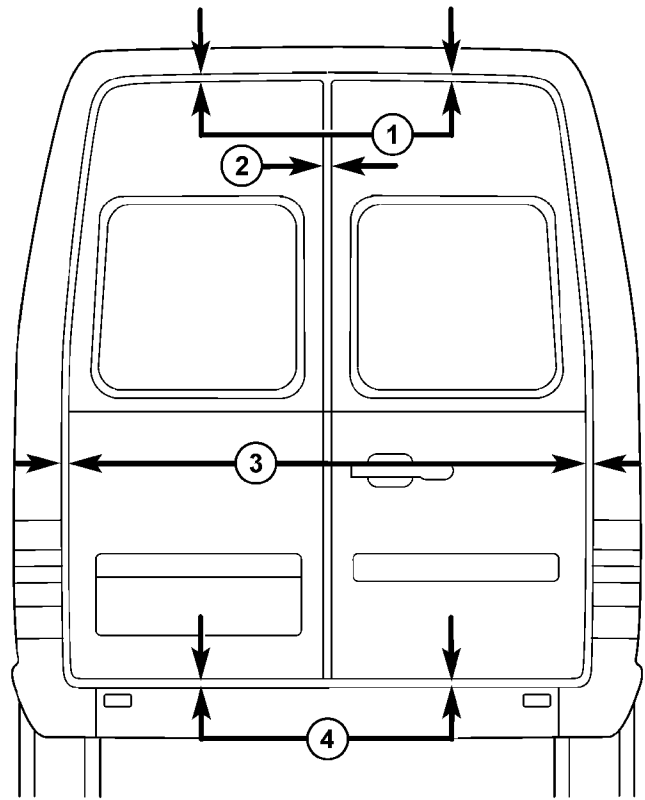
8111e4cd

NOTE:
All measurements are in mm.



810f2f52

Fig. 2 SLIDING DOOR



810b3842

Fig. 3 REAR DOOR

NOTE:
All measurements are in mm.

	LOCATION	GAP	FLUSH
1	Sliding doors at top and bottom	7 ± 0.5	FLUSH
2	Sliding doors at sides to body	7 ± 0.5	FLUSH
3	Door ridge at b-pillar and side panel	—	FLUSH without offset

NOTE:
All measurements are in mm.

	LOCATION	GAP	FLUSH
1	Rear doors at top	13 ± 0.5	FLUSH
2	Right rear door to left rear door	8 ± 0.5	FLUSH
3	Rear doors (both sides) to rear body	8 ± 0.5	FLUSH
4	Rear doors at bottom	8 ± 0.5	—

OPENING DIMENSIONS

SPECIFICATIONS

BODY OPENING DIMENSIONS INDEX

DESCRIPTION	FIGURE
WINDSHIELD OPENING	4

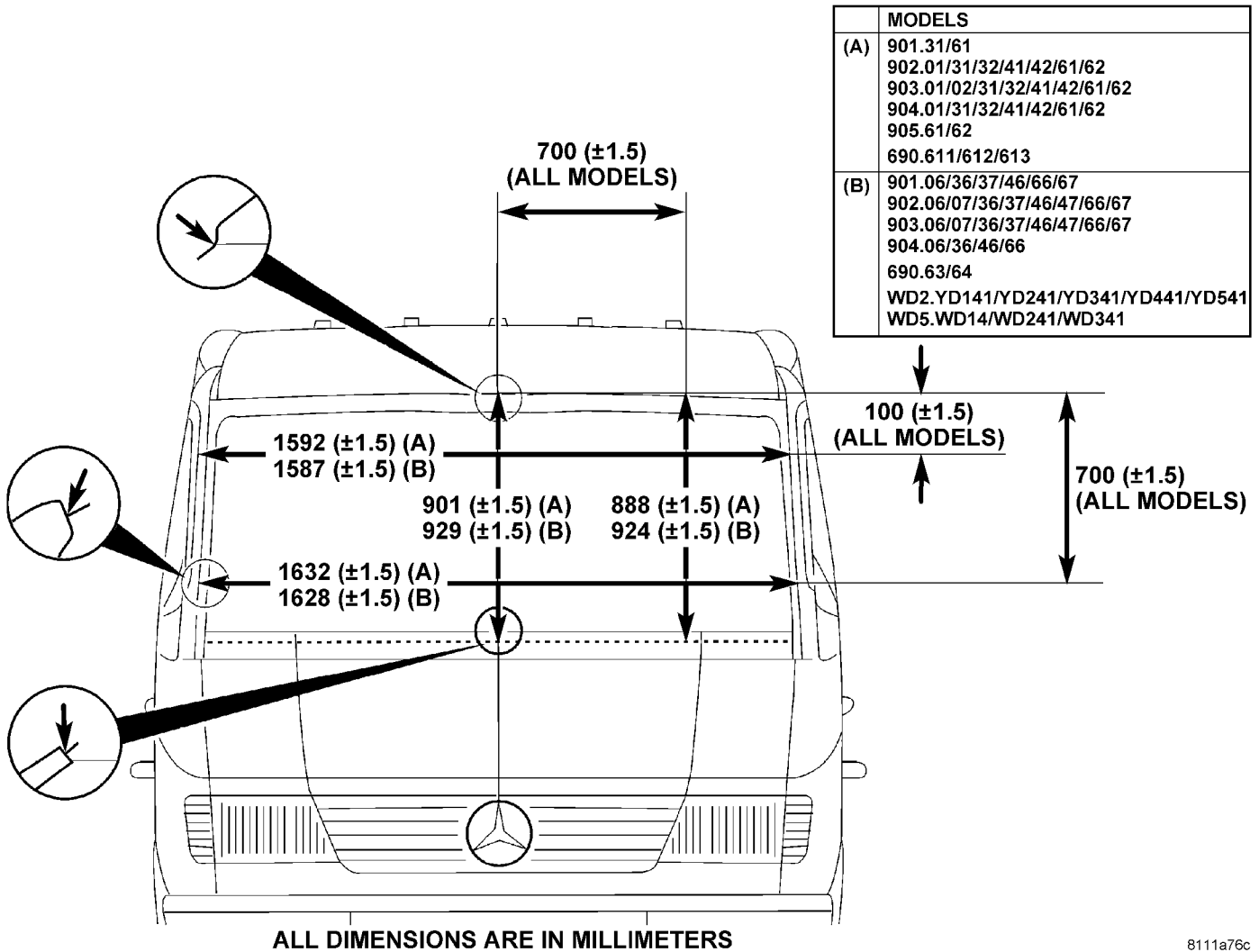


Fig. 4 WINDSHIELD OPENING

HEATING & AIR CONDITIONING

TABLE OF CONTENTS

	page		page
HEATING & AIR CONDITIONING		CONTROLS-FRONT	8
DESCRIPTION	1	CONTROLS - REAR	24
OPERATION	2	DISTRIBUTION - FRONT	45
DIAGNOSIS AND TESTING		DISTRIBUTION - REAR	52
A/C PERFORMANCE	3	PLUMBING	60
HEATER PERFORMANCE TEST	5	CABIN HEATER	104
ATC FUNCTION TEST	6		
SPECIFICATIONS			
HEATING-A/C SYSTEM	6		

HEATING & AIR CONDITIONING

DESCRIPTION

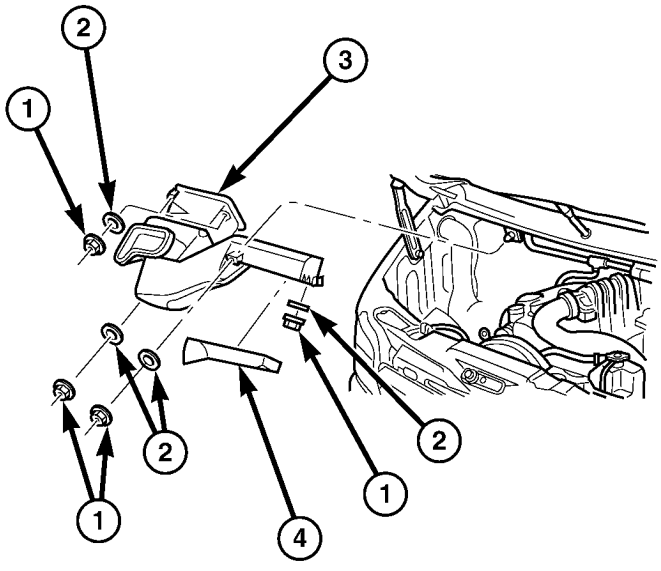
An automatic temperature control (ATC) single zone type heating-A/C system is standard equipment on this model.

To maintain the performance level of the heating, ventilation and air conditioning (HVAC) system, the engine cooling system must be properly maintained. The use of a bug screen is not recommended. Any obstructions in front of the radiator or A/C condenser will reduce the performance of the A/C and engine cooling systems.

The engine cooling system includes the radiator, thermostat, radiator hoses and the engine coolant pump. Refer to 7 - Cooling for more information before opening or attempting any service to the engine cooling system.

All vehicles are equipped with a common ventilation housing (Fig. 1) located in the engine compartment which includes:

- Blower motor
- Blower motor resistor block
- Recirculation door and actuator



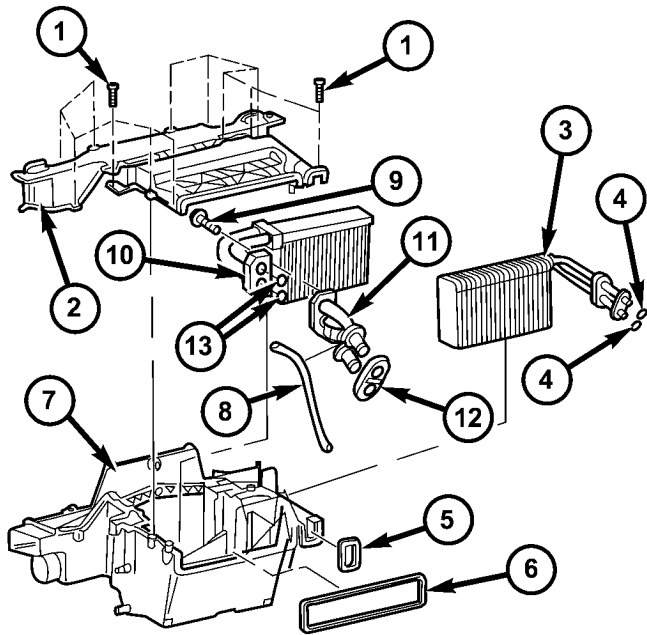
8112da5a

Fig. 1 Ventilation Housing

- 1 - NUT (5)
- 2 - WASHER (5)
- 3 - VENTILATION HOUSING
- 4 - HOUSING COVER

All vehicles are also equipped with a common heater housing (Fig. 2) mounted under the instrument panel which includes:

- Heater core
- Evaporator core
- Evaporator temperature sensor
- Expansion valve
- Air outlet temperature sensor
- Mode doors

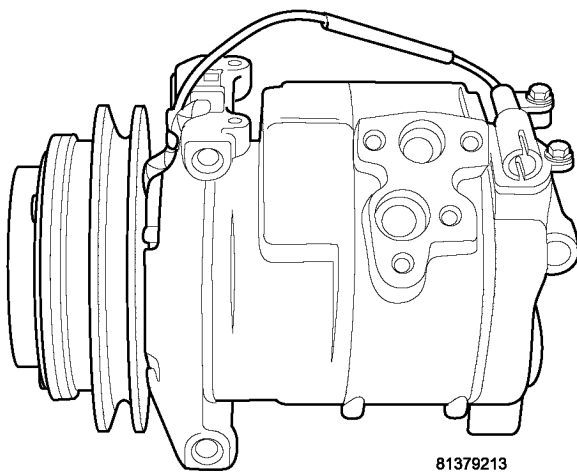


811303a1

Fig. 2 Heater Housing

- 1 - SCREW (12)
- 2 - UPPER HOUSING
- 3 - A/C EVAPORATOR
- 4 - EVAPORATOR O-RING SEAL (2)
- 5 - EVAPORATOR GASKET
- 6 - VENTILATION HOUSING GASKET
- 7 - LOWER HOUSING
- 8 - WIRING HARNESS
- 9 - BOLT (3)
- 10 - HEATER CORE
- 11 - HEATER CORE TUBE ASSEMBLY
- 12 - HEATER CORE TUBE GASKET
- 13 - HEATER CORE TUBE O-RING SEAL (2)

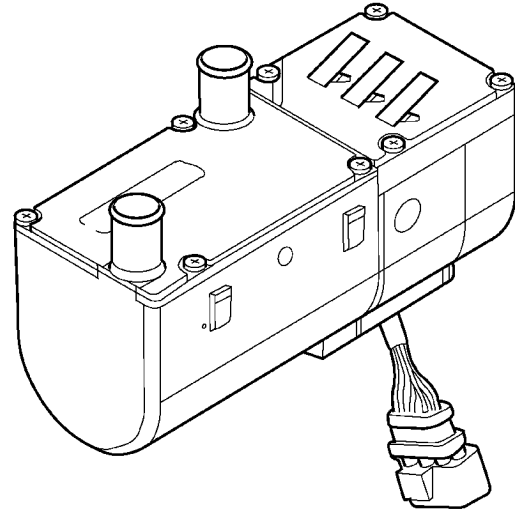
Some vehicles are equipped with an additional Denso 10S17 A/C compressor mounted to the engine which is used for the optional rear A/C system and various add-on A/C systems (Fig. 3).



81379213

Fig. 3 Denso 10S17 A/C Compressor

A heater booster is used to aid in warming the engine coolant. The heater booster system can be switched on while the vehicle is being driven to help the engine reach its normal operating temperature quickly and will help aid in heating up the air within the passenger compartment quickly when requested by the operator (Fig. 4).



811156e3

Fig. 4 Heater Booster

OPERATION

Outside air enters the vehicle through the hood opening at the base of the windshield, and passes through the ventilation housing located in the engine compartment into the heater housing located behind the instrument panel. Air flow velocity is adjusted with the blower motor speed selector thumbwheel on the A/C-heater control. The air intake openings must be kept free of snow, ice, leaves, and other obstructions for the HVAC system to receive a sufficient volume of outside air.

The automatic temperature control (ATC) system controls interior temperature by taking actual values from the temperature sensors and the CAN bus and comparing them to the nominal value of the temperature control switch. The electric pulsed heater valve is then energized depending on the requested quantity of heat and an electrically-operated water pump gives a nearly constant water flow for exact temperature regulation. If the solenoid is not energized, the coolant circuit to the heat exchanger is fully open. To control the temperature the solenoid valve is pulsed by the ATC in periods of four seconds.

The mode control knob on the A/C-heater control is used to direct the conditioned air flow to the selected air outlets. The mode control knob operates the mode doors by cables connected to the mode doors.

When the outside air contains smoke, odors, high humidity, or if rapid cooling is desired, interior air can be recirculated by selecting the Recirculation Mode with the mode control knob. The mode control knob operates the recirculation door through use of a vacuum actuator. When the Recirculation Mode is selected, the recirculation door is closed to prevent outside air from entering the passenger compartment.

To maintain minimum evaporator temperature and prevent evaporator freezing, an evaporator temperature sensor is used.

The A/C system is designed for the use of non-CFC, R-134a refrigerant only and uses an expansion valve to meter refrigerant flow to the evaporator.

DIAGNOSIS AND TESTING

A / C PERFORMANCE

The A/C system is designed to provide the passenger compartment with low temperature and low humidity air. The A/C evaporator, located in the HVAC housing is cooled to temperatures near the freezing point. As warm damp air passes over the fins of the A/C evaporator, the air transfers its heat to the refrigerant in the evaporator coils and the moisture in the air condenses on the evaporator fins. During periods of high heat and humidity, an A/C system will be more effective in the Recirculation mode (max-A/C). With the system in the Recirculation mode, only air from the passenger compartment passes through the A/C evaporator. As the passenger compartment air dehumidifies, the A/C system performance levels rise.

Humidity has an important bearing on the temperature of the air delivered to the interior of the vehicle. It is important to understand the effect that humidity has on the performance of the A/C system. When humidity is high, the A/C evaporator has to perform a double duty. It must lower the air temperature, and it must lower the temperature of the moisture in the air that condenses on the evaporator fins. Condensing the moisture in the air transfers heat energy into the evaporator fins and coils. This reduces the amount of heat the A/C evaporator can absorb from the air. High humidity greatly reduces the ability of the A/C evaporator to lower the temperature of the air.

However, evaporator capacity used to reduce the amount of moisture in the air is not wasted. Wringing some of the moisture out of the air entering the vehicle adds to the comfort of the passengers. Although, an owner may expect too much from their A/C system on humid days. A performance test is the best way to determine whether the system is performing up to design standards. This test also provides valuable clues as to the possible cause of

trouble with the A/C system. The ambient air temperature in the location where the vehicle will be tested must be a minimum of 21° C (70° F) for this test.

A / C PERFORMANCE TEST

WARNING: Refer to the applicable warnings and cautions for this system before performing the following operation (Refer to 24 - HEATING & AIR CONDITIONING/PLUMBING - WARNINGS) and (Refer to 24 - HEATING & AIR CONDITIONING/PLUMBING - CAUTIONS). Failure to follow the warnings and cautions could result in possible personal injury or death.

NOTE: Very specific instructions and conditions pertain to this procedure which are significantly different than procedures used in other vehicle applications. Follow each step in the order they are presented. Do not skip steps or change conditions from those stated or results will be adversely affected and invalid.

NOTE: When connecting the service equipment coupling to the line fitting, verify that the valve of the coupling is fully closed. This will reduce the amount of effort required to make the connection.

(1) Check for diagnostic trouble codes using a DRBIII® scan tool. If no DTCs are found in the engine control module (ECM), go to Step 2. If any DTCs are found, repair as required, then proceed to Step 2.

(2) Place the vehicle in the shade and operate the heating-A/C system under the following conditions.

- Engine at idle at operating temperature
- All doors or windows open
- Transaxle in Neutral
- All A/C duct louvers open
- A/C-heater controls set to fresh air (NOT Recirculate), full cool, panel mode, high blower and with A/C compressor engaged.

NOTE: The A/C compressor clutch is de-energized under any of the following conditions:

- Restricted compressor (thermal fuse in the pulley)
- Low pressure in the system
- Low evaporator temperature
- Hard acceleration (WOT)
- High coolant temperatures

(3) Insert a thermometer in the driver side center panel air outlet and operate the A/C system until the thermometer temperature stabilizes.

(4) With the A/C compressor clutch engaged, duct temperature should not be less than 2° C (35° F) or more than 12° C (54° F). The compressor clutch may cycle, depending upon the ambient temperature and humidity. If the clutch cycles, use the readings obtained before the clutch disengaged.

(5) If the A/C compressor clutch has not cycled off and the duct temperature is less than 2° C (35° F), check the evaporator temperature sensor and circuit

by performing the ATC Function Test (Refer to 24 - HEATING & AIR CONDITIONING - DIAGNOSIS AND TESTING - ATC FUNCTION TEST).

(6) If the air outlet temperature fails to meet the specifications, refer to the A/C System Diagnosis chart.

A/C SYSTEM DIAGNOSIS

Condition	Possible Causes	Correction
Rapid A/C compressor clutch cycling (ten or more cycles per minute).	Very low refrigerant system charge.	See Refrigerant System Leaks in this group. Test the refrigerant system for leaks. Repair, evacuate and charge the refrigerant system, if required.
Equal pressures, but the compressor clutch does not engage.	1. No refrigerant in the refrigerant system.	1. See Refrigerant System Leaks in this group. Test the refrigerant system for leaks. Repair, evacuate and charge the refrigerant system, if required.
	2. Faulty fuse.	2. Check the fuses in the Power distribution block and junction block. Repair the shorted circuit or component and replace the fuses, if required. Refer to Group 8.
	3. Faulty A/C compressor clutch coil.	3. See A/C Compressor Clutch Coil in this group. Test the compressor clutch coil and replace, if required.
	4. Improperly installed or faulty evaporator temperature sensor.	4. See Evaporator Temperature Sensor in this group. Test the sensor and replace, if required.
	5. Faulty A/C pressure transducer.	5. See A/C Pressure Transducer in this group. Test the sensor and replace, if required.
	6. Faulty engine Control Module (ECM).	6. Refer to Group 9 - Engine Electrical Diagnostics for testing of the ECM. Test the ECM and replace, if required.
Normal pressures, but A/C Performance Test air temperatures at center panel outlet are too high.	1. Excessive refrigerant oil in system.	1. See Refrigerant Oil Level in this group. Recover the refrigerant from the refrigerant system and inspect the refrigerant oil content. Restore the refrigerant oil to the proper level, if required.
	2. Blend door cable improperly installed or faulty.	2. See Mode Door Cables in this group. Inspect the cable for proper operation and replace, if required.
	3. Blend-air door(s) inoperative or sealing improperly.	3. See HVAC Housing in this group. Inspect the blend-air door(s) for proper operation and sealing. Repair if required.

Condition	Possible Causes	Correction
The low side pressure is normal or slightly low, and the high side pressure is too low.	1. Low refrigerant system charge.	1. See Refrigerant System Leaks in this group. Test the refrigerant system for leaks. Repair, evacuate and charge the refrigerant system, if required.
	2. Refrigerant flow through the A/C evaporator is restricted.	2. See A/C Evaporator in this group. Replace the restricted A/C evaporator, if required.
	3. Faulty A/C compressor.	3. See A/C Compressor in this group. Replace the A/C compressor, if required.
The low side pressure is normal or slightly high, and the high side pressure is too high.	1. A/C condenser air flow restricted.	1. Check the A/C condenser for damaged fins, foreign objects obstructing air flow through the condenser fins, and missing or improperly installed air seals. Clean, repair, or replace components as required.
	2. Refrigerant flow through the receiver/drier is restricted.	2. See Receiver/Drier in this group. Replace the restricted receiver/drier, if required.
	3. Inoperative radiator cooling fan.	3. Test the radiator cooling fan and replace, if required. Refer to Group 7 - Cooling.
	4. Refrigerant system overcharged.	4. See Refrigerant System Charge in this group. Recover the refrigerant from the refrigerant system. Charge the refrigerant system to the proper level, if required.
	5. Air in the refrigerant system.	5. See Refrigerant System Leaks in this group. Test the refrigerant system for leaks. Repair, evacuate and charge the refrigerant system, if required.
	6. Engine overheating.	6. Test the engine cooling system and repair, if required. Refer to Group 7 - Cooling.
The low side pressure is too high, and the high side pressure is too low.	1. Accessory drive belt slipping.	1. Inspect the accessory drive belt condition and tension. Repair as required. Refer to Group 7 - Cooling.
	2. Faulty A/C expansion valve.	2. See A/C Expansion Valve in this group. Replace the valve, if required.
	3. Faulty A/C compressor.	3. See A/C Compressor in this group. Replace the A/C compressor, if required.
The low side pressure is too low, and the high side pressure is too high.	1. Restricted refrigerant flow through the refrigerant lines.	1. See Liquid Line, Suction Line and Discharge Line in this group. Inspect the refrigerant lines for kinks, tight bends or improper routing. Correct the routing or replace the refrigerant line, if required.
	2. Restricted refrigerant flow through the A/C expansion valve.	2. See A/C Expansion Valve in this group. Replace the valve, if required.
	3. Restricted refrigerant flow through the A/C condenser.	3. See A/C Condenser in this group. Replace the restricted A/C condenser, if required.

HEATER PERFORMANCE TEST

Before performing the following tests, perform the ATC Function Test using the DRBIII® and refer to Cooling for the procedures to check the radiator coolant level, serpentine drive belt tension, radiator air flow and the radiator fan operation.

MAXIMUM HEATER OUTPUT

Engine coolant is provided to the heater core through a heater valve and heater hose. With the engine idling at normal operating temperature, set the heater-A/C controls as follows:

- Temperature control in the full hot position

- Mode control in the floor heat position
- Blower motor control in the highest speed position

Using a test thermometer, check the temperature of the air being discharged at the floor outlets. Com-

pare the test thermometer reading to the Temperature Reference chart.

TEMPERATURE REFERENCE CHART

Ambient Temperature		Minimum Floor Outlet Temperature	
Celsius	Fahreheit	Celsius	Fahreheit
15.5°	60°	62.2°	144°
21.1°	70°	63.8°	147°
26.6°	80°	65.5°	150°
32.2°	90°	67.2°	153°

If the floor outlet air temperature is insufficient, check for a faulty heater valve (perform ATC Function Test) and verify that the cooling system is operating to specifications (Refer to 7 - COOLING/ENGINE/COOLANT - DIAGNOSIS AND TESTING). Both of the heater hoses should be HOT to the touch (the coolant return heater hose should be slightly cooler than the supply hose. If the coolant return hose is much cooler than the supply hose, locate and repair the engine coolant flow obstruction in the heater system.

POSSIBLE LOCATIONS OR CAUSE OF OBSTRUCTED COOLANT FLOW

- Pinched or kinked heater hoses.
- Improper heater hose routing.
- Plugged heater hoses or supply and return ports at the cooling system connections.
- Inoperative or stuck heater water valve.
- Plugged heater core.

If proper coolant flow is verified, and heater floor outlet air temperature is insufficient, a mechanical problem may exist.

POSSIBLE LOCATIONS OR CAUSE OF INSUFFICIENT HEAT

- An obstructed cowl air intake.
- Obstructed heater system outlets.
- Heater water valve not functioning properly.

TEMPERATURE CONTROL

If outlet air temperature cannot be adjusted with the A/C-heater temperature control, one of the following could require service:

- Faulty A/C-heater control switch.
- Faulty temperature sensor.

- Faulty A/C-heater control cable or actuator.
- Faulty A/C-heater control module.

ATC FUNCTION TEST

The automatic temperature control (ATC) system can perform an self-test, which can be activated by the DRBIII® scan tool to confirm that the A/C system is performing satisfactorily. This test provides a quick confirmation of heating and A/C system performance to the service technician. Refer to Body Diagnostic Procedures for the appropriate diagnostic information.

SPECIFICATIONS

HEATING - A / C SYSTEM

FRONT A/C SYSTEM

Item	Description	Notes
A/C Compressor	Denso 7SBU16C	ND-8 PAG oil
Freeze-up Control	Evaporator temperature sensor	HVAC housing mounted - input to A/C-heater control - operating range of -10° C (14° F) to 40° C (104° F)

Item	Description	Notes
Low psi Control	A/C Pressure Transducer	Liquid line mounted - input to PCM - operating range of 200 kPa (29 psi) to 2799 kPa (406 psi)
High psi Control	High Pressure Relief Valve	Receiver/drier mounted - opens at a discharge pressure over 3999 kPa (580 psi)
Refrigerant Charge Capacity	Refer to the A/C Underhood Specification Label located in the engine compartment	R-134a refrigerant
A/C Clutch Coil Draw	2.0-3.7 amps @ 12V ± 0.5V @ 21° C (70° F)	
A/C Clutch Air Gap	0.5 - 0.88 mm (0.020 - 0.035 in.)	

Item	Description	Notes
High psi Control	A/C High Pressure Switch	Input to rear A/C control module - condenser inlet tube mounted - cycles clutch off above 2551 kPa (370 psi)
Refrigerant Charge Capacity	Refer to the Rear A/C Specification Label	R-134a refrigerant
A/C Clutch Coil Draw	3.3 amps @ 12V ± 0.5V @ 21° C (70° F)	
A/C Clutch Air Gap	0.35 - 0.60 mm (0.014 - 0.024 in.)	

REAR A/C SYSTEM

Item	Description	Notes
A/C Compressor	Denso 10S17	ND-8 PAG oil
Freeze-up Control	Evaporator Temperature Sensor	Input to rear A/C control module - evaporator fin mounted - cycles clutch off below 1.6° C (35° F), cycles clutch back on above 3.9° C (39° F)
Low psi Control	A/C Low Pressure Switch	Input to rear A/C control module - suction line mounted - cycles clutch off below 30 kPa (4.4 psi)

CONTROLS - FRONT

TABLE OF CONTENTS

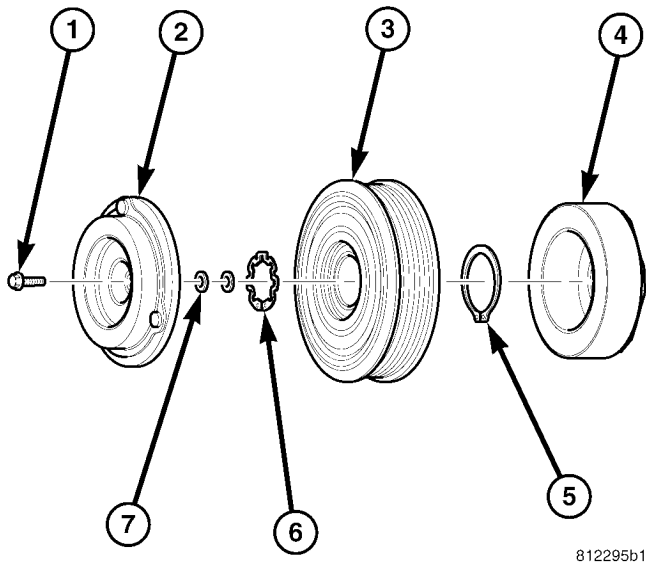
	page		page
A/C COMPRESSOR CLUTCH		REMOVAL	17
DESCRIPTION	8	INSTALLATION	17
OPERATION	9	BLOWER MOTOR RESISTOR	
STANDARD PROCEDURE		DESCRIPTION	17
A/C COMPRESSOR CLUTCH AIR GAP	9	OPERATION	18
A/C COMPRESSOR CLUTCH BREAK-IN	9	DIAGNOSIS AND TESTING	
REMOVAL	9	BLOWER MOTOR RESISTOR	18
INSPECTION	11	REMOVAL	18
INSTALLATION	11	INSTALLATION	18
A/C COMPRESSOR CLUTCH COIL		BLOWER MOTOR SWITCH	
DIAGNOSIS AND TESTING		DESCRIPTION	19
A/C COMPRESSOR CLUTCH COIL	12	OPERATION	19
A/C HEATER CONTROL		DIAGNOSIS AND TESTING	
DESCRIPTION	12	BLOWER MOTOR SWITCH	19
OPERATION	13	EVAPORATOR TEMPERATURE SENSOR	
REMOVAL	13	DESCRIPTION	19
INSTALLATION	13	OPERATION	19
A/C PRESSURE TRANSDUCER		REMOVAL	20
DESCRIPTION	14	INSTALLATION	20
OPERATION	14	IN-CAR TEMPERATURE SENSOR	
DIAGNOSIS AND TESTING		DESCRIPTION	21
A/C PRESSURE TRANSDUCER	14	OPERATION	21
REMOVAL	15	DIAGNOSIS AND TESTING	
INSTALLATION	15	IN-CAR TEMPERATURE SENSOR	21
AIR OUTLET TEMPERATURE SENSOR		MODE DOOR CABLES	
DESCRIPTION	16	REMOVAL	21
OPERATION	16	INSTALLATION	21
REMOVAL	16	RECIRCULATION DOOR ACTUATOR	
INSTALLATION	16	DESCRIPTION	22
AMBIENT TEMPERATURE SENSOR		OPERATION	22
DESCRIPTION	17	REMOVAL	22
OPERATION	17	INSTALLATION	23

A / C COMPRESSOR CLUTCH

DESCRIPTION

The A/C compressor clutch assembly consists of a stationary electromagnetic field coil, a hub bearing and pulley assembly, and a clutch plate (Fig. 1). The field coil and the hub bearing and pulley assembly are each retained on the nose of the compressor front housing with snap rings. The clutch plate is splined to the compressor shaft and secured with a bolt.

The compressor clutch plate and pulley and the clutch field coil are available for service replacement.



812295b1

Fig. 1 A/C Compressor Clutch

- 1 - BOLT
- 2 - CLUTCH PLATE
- 3 - PULLEY AND BEARING
- 4 - FIELD COIL
- 5 - SNAP RING
- 6 - SNAP RING
- 7 - SHIM (2)

OPERATION

The compressor clutch components provide the means to engage and disengage the compressor from the engine serpentine accessory drive belt. When the clutch coil is energized, it magnetically draws the clutch into contact with the pulley and drives the compressor shaft. When the coil is not energized, the pulley freewheels on the clutch hub bearing, which is part of the pulley.

The compressor clutch engagement is controlled by several components:

- A/C switch on the A/C-heater control panel
- Evaporator temperature sensor
- A/C pressure transducer
- Air temperature sensor
- CAN bus messages

The compressor clutch is de-energized under any of the following conditions:

- Blocked compressor (thermal fuse in the pulley)
- Low pressure in the system
- Low evaporator temperature
- Hard acceleration (WOT)
- High coolant temperatures

STANDARD PROCEDURE

A / C COMPRESSOR CLUTCH AIR GAP

If a new clutch plate and/or clutch pulley are being used, the air gap between the clutch plate and clutch pulley must be checked using the following procedure:

(1) Using feeler gauges, measure the air gap between the clutch plate and the clutch pulley friction surfaces.

(2) If the air gap is not between specifications (Refer to 24 - HEATING & AIR CONDITIONING - SPECIFICATIONS), add or subtract shims until the desired air gap is obtained.

NOTE: The shims may compress after tightening the compressor shaft bolt. Check the air gap in four or more places on the clutch plate to verify that the air gap is still correct. Spin the clutch pulley before making the final air gap check.

A / C COMPRESSOR CLUTCH BREAK - IN

After a new compressor clutch has been installed, cycle the compressor clutch approximately twenty times (five seconds on, then five seconds off). During this procedure, set the heater-A/C control in the Recirculation Mode, the A/C button in the on position, the blower motor switch in the highest speed position, and the engine speed at 1500 to 2000 rpm. This procedure (burnishing) will seat the opposing friction surfaces and provide a higher compressor clutch torque capability.

REMOVAL

The refrigerant system can remain fully-charged during compressor clutch, pulley, or coil replacement. The compressor clutch can be serviced in the vehicle.

(1) Disconnect and isolate the battery negative cable.

(2) Remove the serpentine drive belt (Refer to 7 - COOLING/ACCESSORY DRIVE/DRIVE BELTS - REMOVAL).

(3) Disconnect the engine wire harness connector for the compressor clutch coil from the clutch coil wire harness connector on the top of the compressor.

(4) Remove the retainer securing the compressor clutch coil lead on the top of the compressor.

(5) Remove the bolt that secures the compressor clutch to the compressor shaft (Fig. 2). If necessary, a band-type oil filter wrench or strap wrench can be placed around the clutch plate to aid in bolt removal.

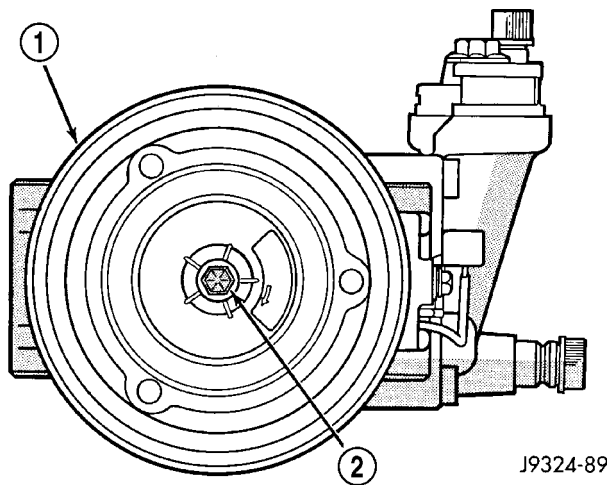


Fig. 2 Compressor Shaft Bolt and Clutch Plate

- 1 - COMPRESSOR CLUTCH PLATE
2 - COMPRESSOR SHAFT BOLT

(6) Tap the clutch plate lightly with a plastic mallet to release it from the splines on the compressor shaft. Remove the clutch plate and shim(s) from the compressor shaft (Fig. 3). **Be certain not to lose the shim or shims.**

CAUTION: Do not pry between the clutch plate and the pulley to remove it from the compressor shaft. Prying may damage the clutch plate.

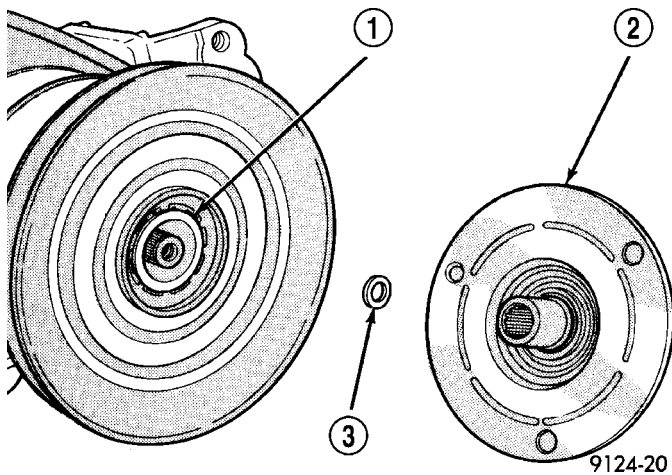


Fig. 3 Clutch Plate And Shim(s)

- 1 - COMPRESSOR SHAFT
2 - CLUTCH PLATE
3 - CLUTCH PLATE SHIM

(7) Using snap ring pliers (Special Tool C-4574 or equivalent), remove the external snap ring that secures the compressor clutch pulley to the front of the compressor, then slide the pulley off of the compressor (Fig. 4).

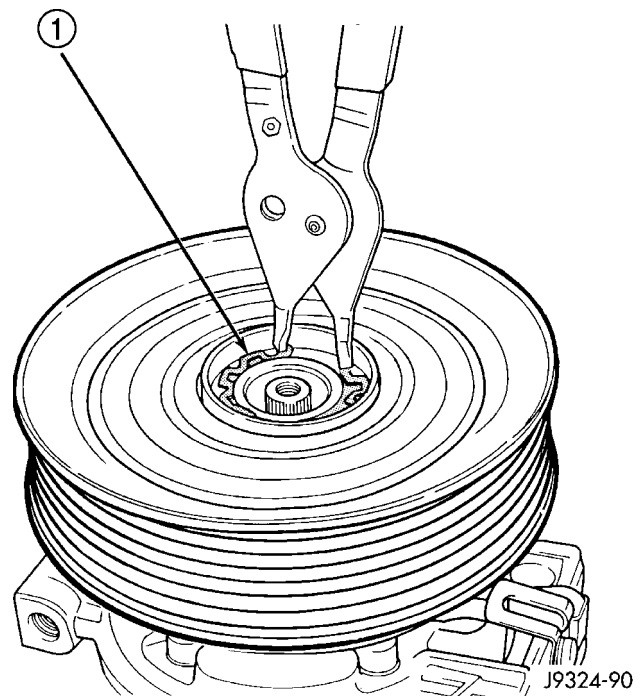


Fig. 4 Pulley Snap Ring

- 1 - SNAP RING

(8) Remove the screw that secures the clutch coil wire harness connector bracket and ground clip to the top of the compressor housing.

(9) Using snap ring pliers (Special Tool C-4574 or equivalent), remove the external snap ring that secures the compressor clutch coil to the front of the compressor, then slide the clutch coil off of the compressor (Fig. 5).

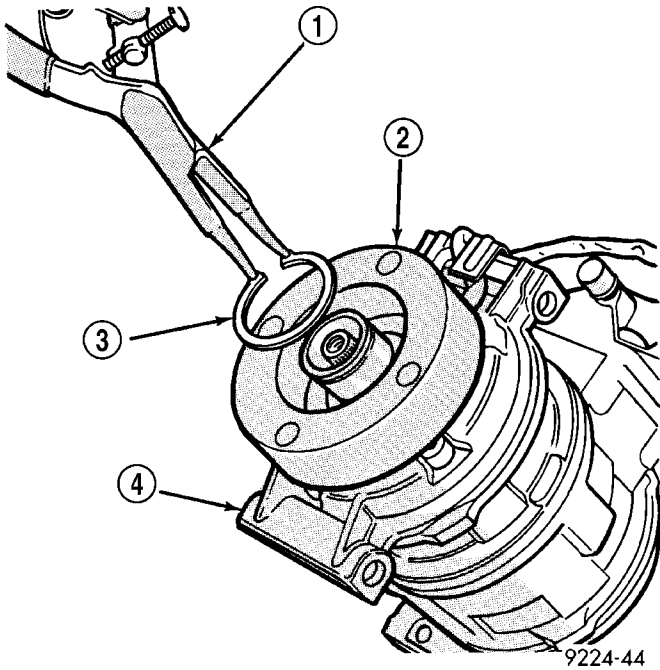


Fig. 5 Clutch Coil Snap Ring

- 1 - SNAP RING PLIERS
- 2 - CLUTCH COIL
- 3 - SNAP RING
- 4 - COMPRESSOR

INSPECTION

Compressor clutch components should always be inspected closely before they are reinstalled. The clutch plate and clutch pulley are mated at the factory using a burnishing operation. No attempt should be made to separately replace the compressor clutch pulley or clutch plate. The clutch coil may be serviced separately.

(1) Examine the friction surfaces of the clutch pulley and the clutch plate for wear. The clutch pulley and clutch plate should be replaced if there is excessive wear or scoring.

(2) Examine the friction surfaces of the clutch pulley and the clutch plate for oil contamination. If the friction surfaces are oily, the clutch pulley and clutch plate should be replaced. Also inspect the shaft and nose area of the compressor for oil. Remove the felt packing from around the compressor shaft in the compressor front cover. If the felt is saturated with oil, the compressor front shaft seal is leaking and the compressor will also have to be replaced.

(3) Check the clutch pulley bearing for roughness or excessive leakage of grease. Replace the clutch pulley and clutch plate if the bearing is faulty.

INSTALLATION

(1) Align the dowel pin on the back of the clutch field coil with the hole in the compressor front cover, and position the clutch coil onto the compressor. Be certain that the clutch coil wire harness leads are properly oriented and routed so that they are not

pinched between the compressor front cover and the clutch coil.

NOTE: A new snap ring must be used to secure the clutch coil to the compressor. The bevel side of the snap ring must face outward.

(2) Using snap ring pliers (Special Tool C-4574 or equivalent), install the external snap ring that secures the clutch coil to the front cover of the compressor. The bevel side of the snap ring must be facing outward and both snap ring eyelets must be oriented to the right or left of the clutch coil dowel pin on the compressor. Be certain that the snap ring is fully and properly seated in the groove.

CAUTION: If the snap ring is not fully seated in the groove it will vibrate out, resulting in a clutch failure and severe damage to the compressor front cover.

(3) Install and tighten the screw that secures the clutch coil wire harness connector bracket and ground clip to the top of the compressor housing.

(4) Install the pulley onto the front of the compressor. If necessary, place a block of wood on the friction surface and tap gently with a hammer (Fig. 6).

CAUTION: Do not mar the friction surfaces of the pulley.

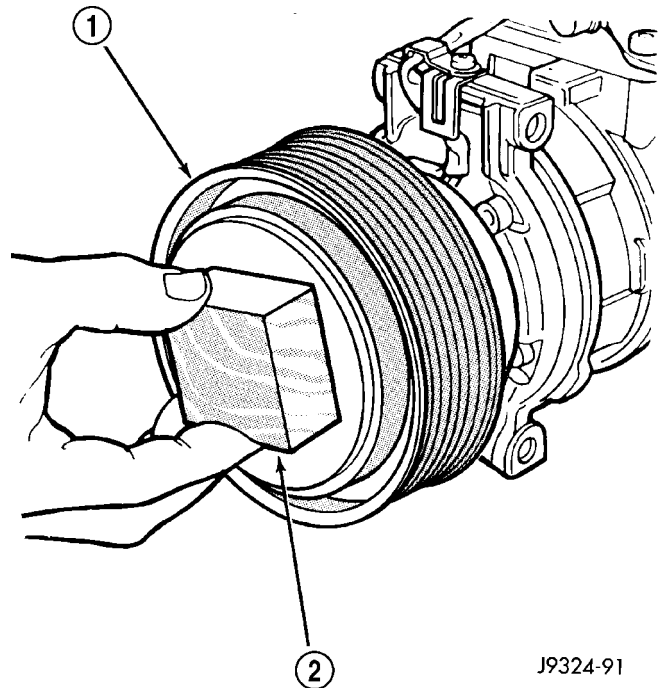


Fig. 6 Pulley Assembly Install

- 1 - PULLEY ASSEMBLY
- 2 - WOOD BLOCK

(5) Using snap ring pliers (Special Tool C-4574 or equivalent), install the external snap ring (bevel side facing outward) that secures the clutch pulley to the

front cover of the compressor. Be certain that the snap ring is properly fully and properly seated in the groove.

(6) If the original clutch plate and clutch pulley are to be reused, reinstall the original shim(s) on the compressor shaft against the shoulder. If a new clutch plate and/or clutch pulley are being used, install a trial stack of shims 1.0 mm (0.040 in.) thick on the compressor shaft against the shoulder.

(7) Install the clutch plate onto the compressor shaft.

(8) Install and tighten the compressor shaft bolt. If necessary, a band-type oil filter wrench or a strap wrench can be placed around the clutch plate to aid in bolt tightening. Tighten the bolt to 17.5 N·m (155 in. lbs.).

NOTE: The shims may compress after tightening the shaft bolt. Check the air gap in four or more places to verify the air gap is still correct. Spin the pulley before performing a final check of the air gap.

(9) If a new clutch plate and/or clutch pulley are being installed, the air gap between the clutch plate and clutch pulley must be checked (Refer to 24 - HEATING & AIR CONDITIONING/CONTROLS/A/C COMPRESSOR CLUTCH - STANDARD PROCEDURE).

(10) Install the retainer that secures the compressor clutch coil lead to the top of the compressor.

(11) Reconnect the engine wire harness connector to the clutch coil lead on the top of the compressor.

(12) Reinstall the serpentine accessory drive belt (Refer to 7 - COOLING/ACCESSORY DRIVE/DRIVE BELTS - INSTALLATION).

(13) Reconnect the battery negative cable.

(14) If a new clutch plate and/or clutch pulley are being installed, the new clutch components must be burnished (Refer to 24 - HEATING & AIR CONDITIONING/CONTROLS/A/C COMPRESSOR CLUTCH - STANDARD PROCEDURE).

A / C COMPRESSOR CLUTCH COIL

DIAGNOSIS AND TESTING

A / C COMPRESSOR CLUTCH COIL

The air conditioning compressor clutch coil electrical circuit is controlled by the ATC control module which is integral to the heater-A/C control. Begin testing of a suspected compressor clutch coil problem by performing the ATC Function Test using the DRBIII® scan tool.

PRELIMINARY CHECKS

(1) If no diagnostic trouble codes (DTCs) are found in the A/C-heater control or the powertrain control module (PCM), go to Step 2. If any DTCs are found, repair as required.

(2) If the A/C compressor clutch still will not engage, verify the refrigerant charge level (Refer to 24 - HEATING & AIR CONDITIONING/PLUMBING - DIAGNOSIS AND TESTING - REFRIGERANT SYSTEM LEAKS). If the refrigerant charge level is OK, go to TESTS. If the refrigerant charge level is not OK, adjust the refrigerant charge as required.

TESTS

(1) Verify the battery state of charge (Refer to 8 - ELECTRICAL/BATTERY SYSTEM/BATTERY - DIAGNOSIS AND TESTING).

(2) Connect an ammeter (0 to 10 ampere scale selected) in series with the clutch coil feed terminal. Connect a voltmeter (0 to 20 volt scale selected) to measure voltage across the battery and the clutch coil.

(3) With the A/C-heater control in the A/C mode and the blower motor at low speed, start the engine and allow it to run at a normal idle speed.

(4) The A/C compressor clutch should engage immediately, and the clutch coil supply voltage should be within two volts of the battery voltage. If the coil supply voltage is OK, go to Step 5. If the coil supply voltage is not within two volts of battery voltage, test the clutch coil feed circuit for excessive voltage drop and repair as necessary.

(5) For the acceptable A/C clutch coil current draw specifications refer to 24 - HEATING & AIR CONDITIONING - SPECIFICATIONS. Specifications apply for a work area temperature of 21° C (70° F). If voltage is more than 12.5 volts, add electrical loads by turning on electrical accessories until voltage reads below 12.5 volts.

(a) If the A/C clutch coil current reading is zero, the coil is open and must be replaced.

(b) If the A/C clutch coil current reading is above specifications, the coil is shorted and must be replaced.

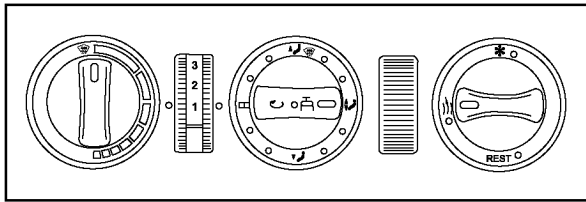
A / C HEATER CONTROL

DESCRIPTION

This ATC system uses a combination of electrical and mechanical controls. These controls provide the vehicle operator with a number of setting options to help control the climate and comfort within the vehicle.

The A/C-heater control is located on the instrument panel inboard of the steering column and below the

radio (Fig. 7). The A/C-heater control contains a rotary-type temperature control, a rotary-type mode control, a thumbwheel-type blower motor speed control and an A/C mode push button switch and indicator lamp. The A/C-heater control also features a push button switch and indicator lamp for the residual engine heat utilization (REST) function, cabin heater or the heater booster (as equipped).



808c82b6

Fig. 7 A/C-Heater Control

OPERATION

To control the interior temperature, the A/C-heater control uses the actual values from the temperature sensors and the CAN bus and compares them with the nominal value of the temperature control switch. The A/C-heater control is diagnosed using a DRBIII® scan tool. Refer to Body Diagnostic Procedures.

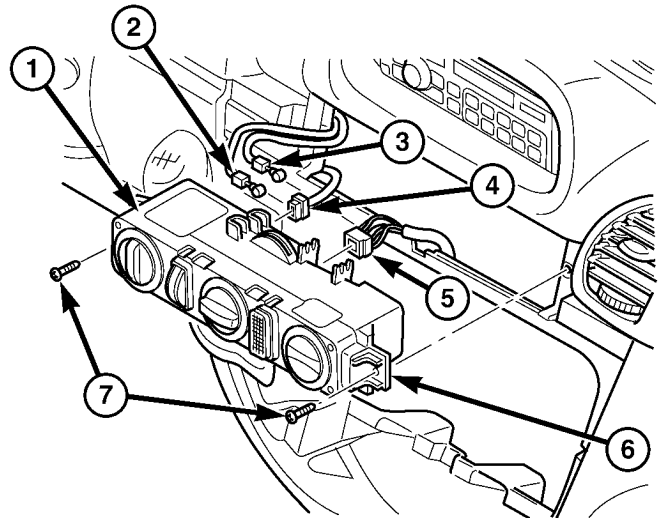
The A/C-heater control is diagnosed using a DRBIII® scan tool. Refer to Body Diagnostic Procedures.

The A/C-heater control cannot be adjusted or repaired and, if faulty or damaged, it must be replaced.

REMOVAL

WARNING: To avoid personal injury or death, on vehicles equipped with airbags, disable the supplemental restraint system before attempting any steering wheel, steering column, airbag, seat belt tensioner, impact sensor, or instrument panel component diagnosis or service. Disconnect and isolate the battery negative (ground) cable, then wait two minutes for the system capacitor to discharge before performing further diagnosis or service. This is the only sure way to disable the supplemental restraint system. Failure to take the proper precautions could result in accidental airbag deployment.

- (1) Disconnect and isolate the negative battery cable.
- (2) Remove the center bezel from the instrument panel. (Refer to 23 - BODY/INSTRUMENT PANEL/ INSTRUMENT PANEL CENTER BEZEL - REMOVAL).
- (3) Remove the two screws that secure the A/C-heater control to the instrument panel (Fig. 8).
- (4) Pull the A/C-heater control away from the instrument panel far enough to access the connections on the back of the control.
- (5) Mark and disconnect the two control cables from the A/C-heater control.
- (6) Disconnect the two wiring harness connectors from the A/C-heater control.
- (7) If A/C-heater control is to be replaced, remove the two mounting brackets from the A/C-heater control.



808c8474

Fig. 8 A/C-Heater Control

- 1 - A/C-HEATER CONTROL
- 2 - CONTROL CABLE
- 3 - CONTROL CABLE
- 4 - WIRE HARNESS CONNECTOR
- 5 - WIRE HARNESS CONNECTOR
- 6 - MOUNTING BRACKET (2)
- 7 - SCREW (2)

INSTALLATION

- (1) If removed, install the two mounting brackets to the A/C-heater control.
- (2) Connect the two wire harness connectors into the back of the A/C-heater control.
- (3) Connect the two control cables to the A/C-heater control.

NOTE: Install the control cable of bottom adjustment lever to the front adjustment wheel of the A/C-heater control.

- (4) Position the A/C-heater control into the instrument panel.

(5) Install the two A/C-heater control retaining screws. Tighten the screws to 2 N·m (17 in. lbs.).

(6) Install the center bezel onto the instrument panel (Refer to 23 - BODY/INSTRUMENT PANEL/INSTRUMENT PANEL CENTER BEZEL - INSTALLATION).

(7) Reconnect the negative battery cable.

A / C PRESSURE TRANSDUCER

DESCRIPTION

The A/C pressure transducer is installed on the liquid line fitting located at the top of the receiver/drier (Fig. 9). A rubber O-ring seals the connection between the transducer and the fitting. Three terminals within a molded plastic connector receptacle on the top of the transducer connect it to the vehicle electrical system through a wire lead and connector.

The A/C pressure transducer cannot be adjusted or repaired and, if faulty or damaged, it must be replaced.

through its connection to a fitting on the liquid line. The transducer will change its internal resistance in response to the pressures it monitors. The ATC control module provides a five volt reference signal and monitors the output voltage of the transducer on the transducer return circuit to determine refrigerant pressure. The ATC module is preprogrammed to respond to this and other sensor inputs by controlling the operation of the air conditioning compressor clutch and the auxiliary radiator cooling fan to help optimize air conditioning system performance and to protect the system components from damage. The A/C pressure transducer input to the ATC module also prevents the A/C compressor clutch from engaging when the ambient temperature is below 0.556° C (33° F) due to the pressure/temperature relationship of the refrigerant.

The A/C pressure transducer is diagnosed by performing the ATC Function Test using the DRBIII® scan tool. Refer to Body Diagnostic Procedures.

The A/C pressure transducer cannot be adjusted or repaired and, if faulty or damaged, it must be replaced.

DIAGNOSIS AND TESTING

A / C PRESSURE TRANSDUCER

The A/C pressure transducer is tested using a DRBIII® scan tool. Refer to Body Diagnostic Procedures. Before testing the A/C pressure transducer, be certain that the transducer wire harness connections are clean of corrosion and properly connected. For the air conditioning system to operate, an A/C pressure transducer voltage reading between 0.7 and 4.56 volts is required. Voltage outside this range indicate a low or high refrigerant system pressure condition to the ATC control module. The control module is programmed to respond to a low or high refrigerant system pressure by suppressing operation of the compressor. Refer to the A/C Pressure Transducer Voltage chart for the possible condition indicated by the transducer voltage readings.

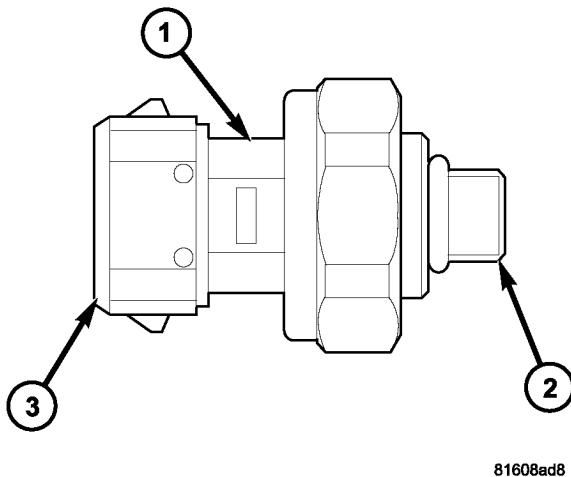


Fig. 9 A/C Pressure Transducer

- 1 - A/C PRESSURE TRANSDUCER
- 2 - PIEZORESISTIVE ELEMENT
- 3 - WIRE CONNECTOR

OPERATION

The A/C pressure transducer monitors the pressures in the high side of the refrigerant system

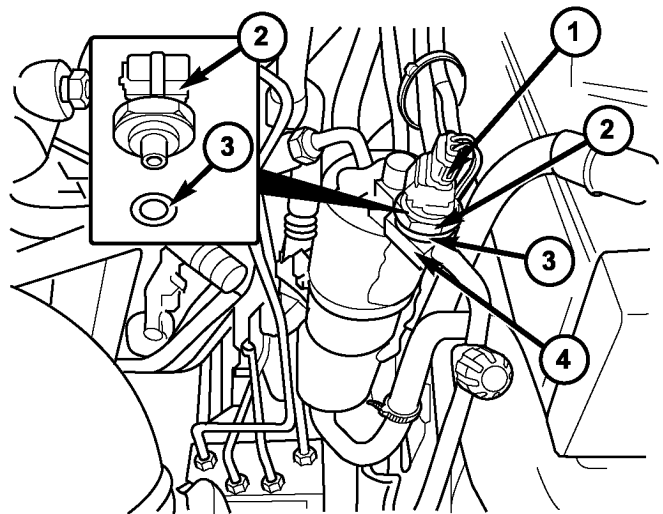
A/C PRESSURE TRANSDUCER VOLTAGE

Voltage	Possible Cause
0.0	1. No transducer supply voltage from ATC control module. 2. Shorted transducer circuit. 3. Faulty transducer.
0.150 to 0.450	1. Ambient temperature below 10° C (50° F). 2. Low refrigerant system pressure.
0.451 to 4.519	1. Normal refrigerant system pressure.
4.520 to 4.850	1. High refrigerant system pressure.
5.0	1. Open transducer circuit. 2. Faulty transducer.

REMOVAL

WARNING: Refer to the applicable warnings and cautions for this system before performing the following operation (Refer to 24 - HEATING & AIR CONDITIONING/PLUMBING - WARNINGS) and (Refer to 24 - HEATING & AIR CONDITIONING/PLUMBING - CAUTIONS). Failure to follow the warnings and cautions could result in possible personal injury or death.

- (1) Recover the refrigerant from the refrigerant system (Refer to 24 - HEATING & AIR CONDITIONING/PLUMBING - STANDARD PROCEDURE).
- (2) Disconnect and isolate the battery negative cable.
- (3) Disconnect the wire harness connector from the A/C pressure transducer (Fig. 10).
- (4) Using an open end wrench, remove the A/C pressure transducer from the fitting on the liquid line.
- (5) Remove the O-ring seal from the A/C pressure transducer and discard.



8111875e

Fig. 10 A/C Pressure Transducer

- 1 - WIRE HARNESS CONNECTOR
- 2 - A/C PRESSURE TRANSDUCER
- 3 - O-RING SEAL
- 4 - LIQUID LINE FITTING

INSTALLATION

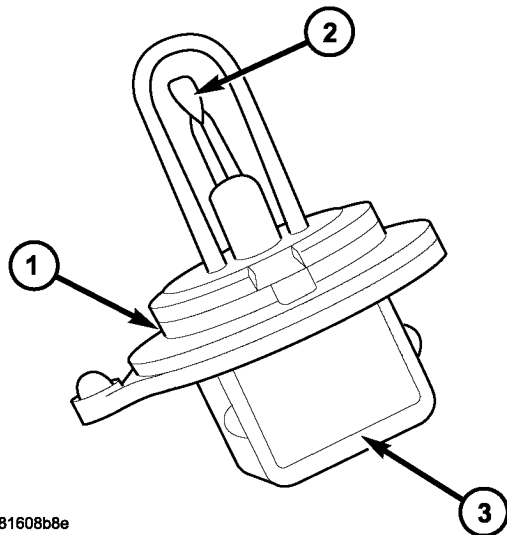
- (1) Lubricate a new O-ring seal with clean refrigerant oil and install it on the A/C pressure transducer.
- (2) Using an open end wrench, install and tighten the A/C pressure transducer into the fitting on the liquid line. Tighten the transducer to 12 N·m (106 in. lbs.).
- (3) Reconnect the wire harness connector to the transducer.
- (4) Reconnect the battery negative cable.
- (5) Evacuate the refrigerant system (Refer to 24 - HEATING & AIR CONDITIONING/PLUMBING - STANDARD PROCEDURE).

(6) Charge the refrigerant system (Refer to 24 - HEATING & AIR CONDITIONING/PLUMBING - STANDARD PROCEDURE).

AIR OUTLET TEMPERATURE SENSOR

DESCRIPTION

The air outlet temperature sensor is a two-wire temperature sensing element that detects the temperature of the air coming out of the heater housing unit (Fig. 11). The sensor is attached to heater housing unit directly behind the ATC heater-A/C control panel. The thermistor will change resistance as the temperature changes.



81608b8e

Fig. 11 Air Outlet Temperature Sensor

- 1 - AIR OUTLET TEMPERATURE SENSOR
- 2 - NTC THERMISTOR
- 3 - WIRE CONNECTOR

OPERATION

The air outlet temperature sensor monitors the temperature of the air coming out of the heater housing unit. The sensor will change its internal resistance in response to the temperatures it monitors. The ATC control module is connected to the sensor through a sensor ground circuit and a sensor signal circuit. As the air temperature increases, the resistance of the sensor decreases and the voltage monitored by the module decreases. The operating range of the air outlet temperature sensor is 0° C (32° F) and 95° C (203° F). The module uses this monitored voltage reading to an indication of the outlet air temperature. The ATC control module makes adjustments to maintain the requested interior temperature by cycling both the A/C compressor and solenoid heater valve on and off.

The air outlet temperature sensor is diagnosed by performing the ATC Function Test using the DRBIII® scan tool. Refer to Body Diagnostic Procedures.

The air outlet temperature sensor cannot be adjusted or repaired, and if faulty or damaged, it must be replaced.

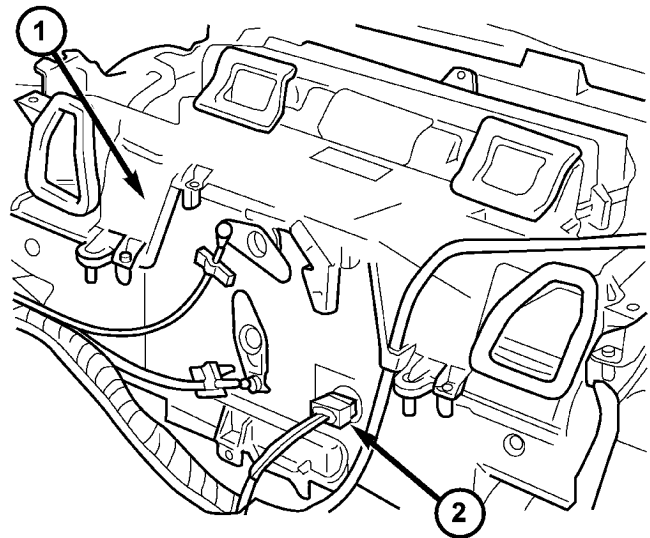
REMOVAL

(1) Disconnect and isolate the battery negative cable.

(2) Remove the heater-A/C control from the instrument panel (Refer to 24 - HEATING & AIR CONDITIONING/CONTROLS/A/C HEATER CONTROL - REMOVAL).

(3) Disconnect the wire harness connector from the air outlet temperature sensor (Fig. 12).

(4) Remove the air outlet temperature sensor from the heater housing.



8112327d

Fig. 12 Air Outlet Temperature Sensor

- 1 - HEATER HOUSING
- 2 - AIR OUTLET TEMPERATURE SENSOR

INSTALLATION

(1) Install the air outlet temperature sensor onto the heater housing.

(2) Connect the wire harness connector to the air outlet temperature sensor.

(3) Install the heater-A/C control into the instrument panel (Refer to 24 - HEATING & AIR CONDITIONING/CONTROLS/A/C HEATER CONTROL - INSTALLATION).

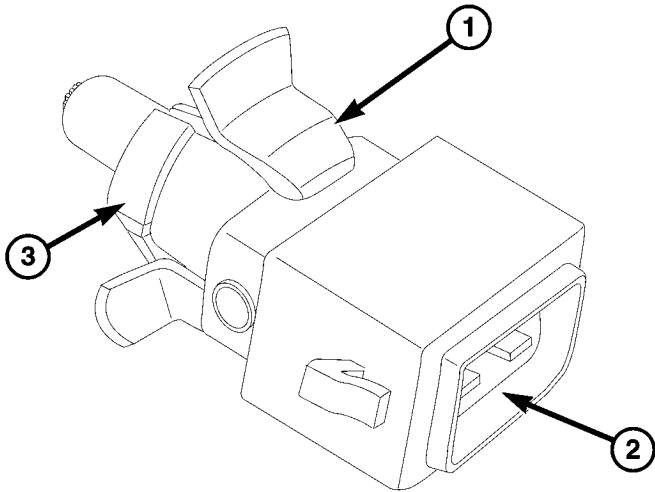
(4) Reconnect the battery negative cable.

AMBIENT TEMPERATURE SENSOR

DESCRIPTION

The ambient air temperature sensor is a variable resistor that monitors the air temperature outside of the vehicle. The ambient air temperature sensor is connected to the instrument cluster through a two-wire harness lead and connector of the vehicle electrical system (Fig. 13). The instrument cluster sends out a message on the CAN bus to the ATC control module which uses the sensor data to maintain optimum cabin temperature levels.

The ambient air temperature sensor is mounted to the front licence plate bracket by three integral retaining tabs.



81614364

Fig. 13 Ambient Air Temperature Sensor

- 1 - AMBIENT TEMPERATURE SENSOR
- 2 - WIRE HARNESS CONNECTOR
- 3 - RETAINING TABS (3)

OPERATION

The ambient temperature sensor is a variable resistor that operates on a five-volt reference signal sent to it by the instrument cluster. The resistance in the sensor changes as temperature changes. Based upon the resistance in the sensor, the instrument cluster sends the ATC control module a specific voltage on the temperature sensor signal circuit, which is programmed to correspond to a specific temperature.

The ambient temperature sensor is diagnosed using the DRBIII® scan tool. Refer to Body Diagnostic Procedures.

The ambient temperature sensor cannot be adjusted or repaired and, if faulty or damaged, it must be replaced.

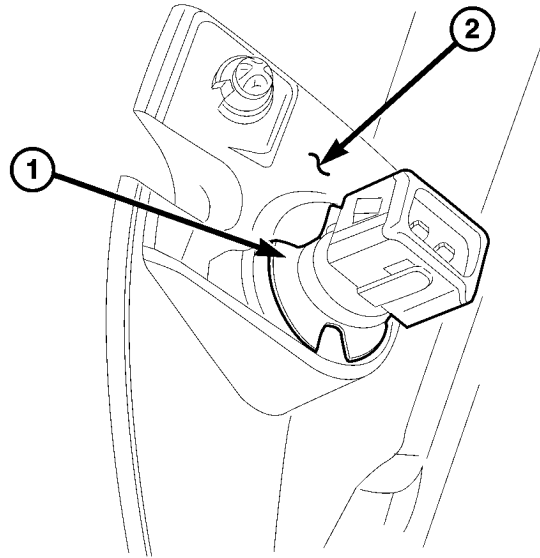
REMOVAL

(1) Disconnect and isolate the battery negative cable.

(2) Remove the front license plate bracket (Refer to 23 - BODY/EXTERIOR/LICENSE PLATE BRACKET - REMOVAL).

(3) Disconnect the wire harness connector from the ambient temperature sensor (Fig. 14).

(4) Disengage the sensor retaining tabs and remove the ambient temperature sensor from the front license plate bracket.



816143c9

Fig. 14 Ambient Temperature Sensor

- 1 - AMBIENT TEMPERATURE SENSOR
- 2 - FRONT LICENSE PLATE BRACKET

INSTALLATION

(1) Install the ambient temperature sensor onto the front license plate bracket. Make sure the retaining tabs are fully engaged.

(2) Connect the wire harness connector to the ambient temperature sensor.

(3) Install the front license plate bracket (Refer to 23 - BODY/EXTERIOR/LICENSE PLATE BRACKET - INSTALLATION).

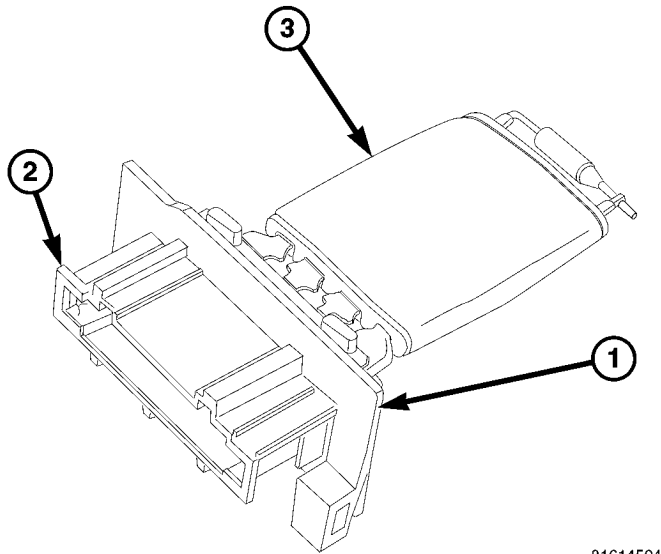
(4) Reconnect the battery negative cable.

BLOWER MOTOR RESISTOR

DESCRIPTION

This temperature control system uses a blower motor resistor (Fig. 15). The blower motor resistor is mounted to the top of ventilation housing located in the engine compartment. The blower motor resistor consists of a molded plastic mounting plate with an integral retaining tab and wire connector receptacle. Concealed behind the mounting plate are coiled resistor wires contained within a ceramic heat sink.

The blower motor resistor is accessed for service without removing any other components.



81614504

Fig. 15 Front Blower Motor Resistor

- 1 - MOUNTING PLATE
- 2 - WIRE CONNECTOR RECEPTACLE
- 3 - CERAMIC HEAT SINK

OPERATION

The blower motor resistor block has multiple resistor wires. Each resistor wire changes the resistance in the blower motor current path to change the blower motor speed. The blower motor switch directs the current through the correct resistor wire to obtain the selected speed.

With the blower motor switch in the lowest speed position, voltage for the motor is applied through all of the resistor wires. Each higher speed selected with the blower motor switch applies the blower motor current path through fewer of the resistor wires, increasing the blower motor speed. When the blower motor switch is in the highest speed position, the blower motor resistor is bypassed and the blower motor circuit receives a direct path to battery voltage.

The blower motor resistor block cannot be repaired and, if faulty or damaged, it must be replaced.

DIAGNOSIS AND TESTING

BLOWER MOTOR RESISTOR

NOTE: For circuit descriptions and diagrams, refer to the appropriate wiring information. The wiring information includes wiring diagrams, proper wire and connector repair procedures, further details on wire harness routing and retention, as well as pin-out and location views for the various wire harness connectors, splices and grounds.

(1) Disconnect and isolate the negative battery cable.

(2) Disconnect the wire harness connector from the blower motor resistor.

(3) Check for continuity between each of the blower motor switch input terminals of the resistor and the resistor output terminal. In each case there should be continuity. If OK, repair the wire harness circuits between the blower motor switch and the blower motor resistor or blower motor as required. If not OK, replace the faulty blower motor resistor.

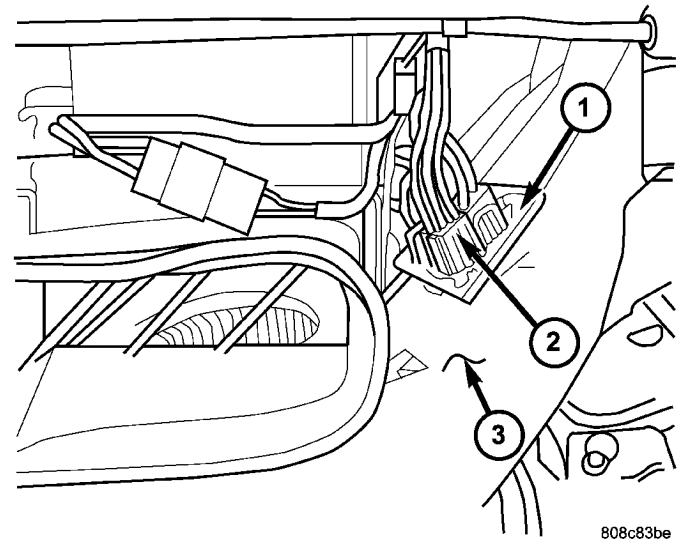
REMOVAL

(1) Disconnect and isolate the negative battery cable.

(2) Depress the locking tab and remove the blower motor resistor from the ventilation housing by sliding the resistor inboard (Fig. 16).

(3) Depress the two locking tabs and disconnect the wire harness connector from the blower motor resistor.

(4) Remove the blower motor resistor from the engine compartment.



808c83be

Fig. 16 Blower Motor Resistor Block

- 1 - BLOWER MOTOR RESISTOR
- 2 - ELECTRICAL CONNECTOR
- 3 - VENTILATION HOUSING

INSTALLATION

(1) Connect the wire harness connector to the blower motor resistor and engage the two locking tabs.

(2) Install the blower motor resistor into the ventilation housing and engage the locking tab. The housing is indexed to allow mounting in only one position.

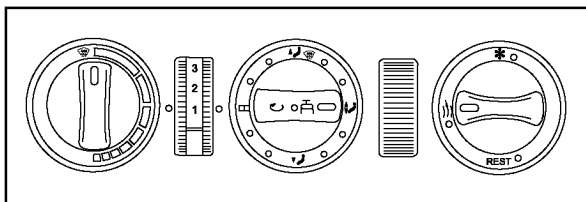
(3) Reconnect the negative battery cable.

BLOWER MOTOR SWITCH

DESCRIPTION

The blower motor is controlled by a thumbwheel-type blower motor control, mounted in the A/C-heater control (Fig. 17). The switch allows the selection of four blower motor speeds with the ignition switch in the On position.

NOTE: The blower motor will operate only at the lowest speed when the Residual Engine Heat Utilization (REST) function is selected, regardless of the blower speed setting on the A/C-heater control.



808c82b6

Fig. 17 A/C-Heater Control

OPERATION

When the ignition is turned to On, the integral blower motor switch within the ATC A/C-heater control supplies power to the blower motor switch. The switch directs power to the individual blower driver circuits through the blower motor resistor block to the blower motor and then to ground.

The blower motor switch cannot be adjusted or repaired, and if faulty or damaged, the A/C-heater control must be replaced (Refer to 24 - HEATING & AIR CONDITIONING/CONTROLS/A/C HEATER CONTROL - REMOVAL).

DIAGNOSIS AND TESTING

BLOWER MOTOR SWITCH

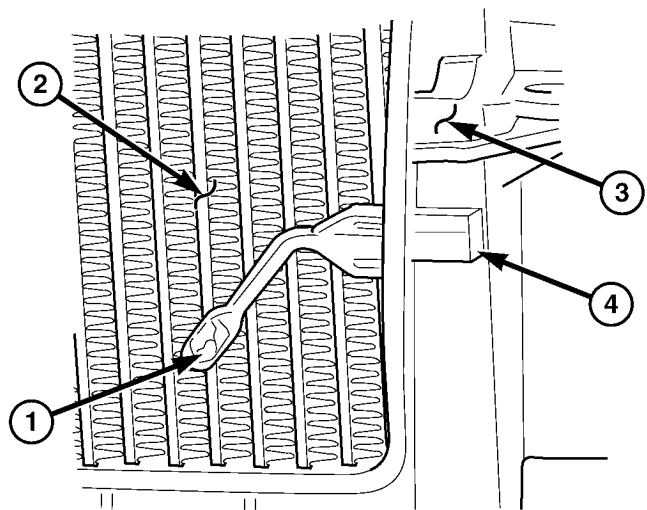
The blower motor switch can be diagnosed by using the DRBIII® scan tool. Refer to Body Diagnostic Procedures. For circuit descriptions and diagrams, refer to the appropriate wiring information.

EVAPORATOR TEMPERATURE SENSOR

DESCRIPTION

The evaporator temperature sensor measures the temperature of the conditioned air downstream of the A/C evaporator (Fig. 18). The evaporator temperature sensor is an electrical thermistor within a molded plastic case that is inserted into the HVAC housing near the coldest point of the A/C evaporator. Two terminals within the connector receptacle connect the sensor to the vehicle electrical system through a wire lead and connector of the HVAC wire harness.

The external location of the evaporator temperature sensor allows the sensor to be removed or installed without disturbing the refrigerant in the A/C system.



812b0ee6

Fig. 18 Sensor-Evaporator Temperature

- 1 - EVAPORATOR TEMPERATURE SENSOR
- 2 - A/C EVAPORATOR
- 3 - HVAC HOUSING
- 4 - WIRE CONNECTOR

OPERATION

The evaporator temperature sensor monitors the temperature of the A/C evaporator. The sensor will change its internal resistance in response to the temperatures it monitors. The A/C-heater control is connected to the sensor through a sensor ground circuit and a sensor signal circuit. As the evaporator temperature increases, the resistance of the sensor decreases and the voltage monitored by the A/C-heater control decreases. The A/C-heater control uses this monitored voltage reading to an indication of the evaporator temperature. The A/C-heater control is programmed to respond to this input by cycling the A/C compressor clutch off if the evaporator temperature sensor reads between 1° C (33° F) and 3.5° C (38° F) to protect the A/C evaporator from freezing.

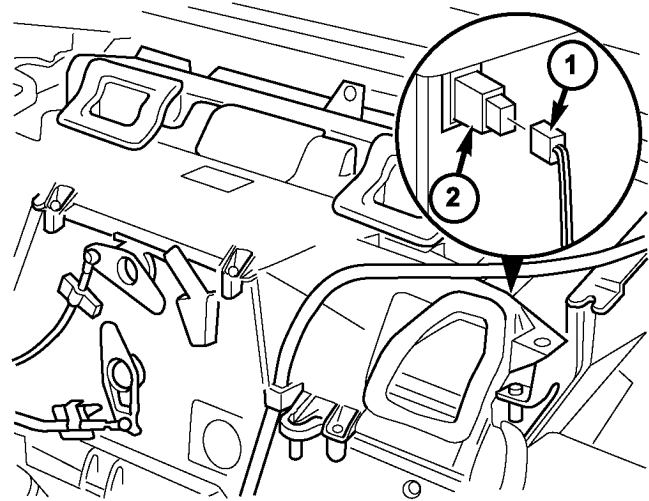
The external location of the sensor allows the sensor to be removed or installed without disturbing the refrigerant in the A/C system.

The evaporator temperature sensor is diagnosed by performing the ATC Function Test using a DRBIII® scan tool. Refer to Body Diagnostic Procedures.

The evaporator temperature sensor cannot be adjusted or repaired and, if faulty or damaged, it must be replaced.

REMOVAL

- (1) Disconnect and isolate the negative battery cable.
- (2) Remove the radio (Refer to 8 - ELECTRICAL/AUDIO/RADIO - REMOVAL).
- (3) Remove glove compartment.
- (4) Remove cover from instrument cluster (Refer to 23 - BODY/INSTRUMENT PANEL/INSTRUMENT PANEL TOP COVER - REMOVAL).
- (5) Remove the instrument cluster (Refer to 8 - ELECTRICAL/INSTRUMENT CLUSTER - REMOVAL).
- (6) Remove passenger side airbag.
- (7) Remove cover above air nozzle on passenger side.
- (8) Remove speaker.
- (9) Remove center section of instrument panel.
- (10) Remove A/C-heater control from the instrument panel (Refer to 24 - HEATING & AIR CONDITIONING/CONTROLS/A/C HEATER CONTROL - REMOVAL).
- (11) Remove instrument panel top section.
- (12) Remove electrical connections.
- (13) Remove air bezels from instrument panel.
- (14) Disconnect the wire harness connector from evaporator temperature sensor (Fig. 19).
- (15) Remove evaporator temperature sensor from HVAC housing.



811193a2

Fig. 19 Evaporator Temperature Sensor

- 1 - WIRE HARNESS CONNECTOR
2 - EVAPORATOR TEMPERATURE SENSOR

INSTALLATION

- (1) Install the probe of the evaporator temperature sensor between the fins of the A/C evaporator.

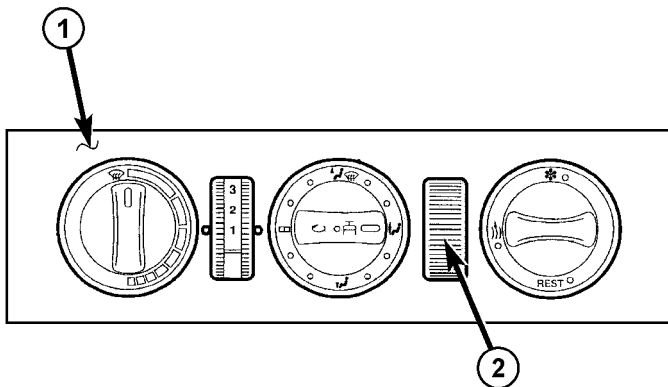
NOTE: The probe must not go into the same hole (in the A/C evaporator) that the probe was removed from.

- (2) Install the wire harness connector to the evaporator temperature sensor.
- (3) Install the air bezels to the instrument panel.
- (4) Install the electrical connections.
- (5) Install the instrument panel top section (Refer to 23 - BODY/INSTRUMENT PANEL/INSTRUMENT PANEL TOP COVER - INSTALLATION).
- (6) Install the A/C-heater control (Refer to 24 - HEATING & AIR CONDITIONING/CONTROLS/A/C HEATER CONTROL - INSTALLATION).
- (7) Install the center section of the instrument panel.
- (8) Install the speaker (Refer to 8 - ELECTRICAL/AUDIO/SPEAKER - INSTALLATION).
- (9) Install the cover above the air nozzle on the passenger side.
- (10) Install the passenger side airbag.
- (11) Install the instrument cluster (Refer to 8 - ELECTRICAL/INSTRUMENT CLUSTER - INSTALLATION).
- (12) Install the cover to the instrument cluster.
- (13) Install glove compartment.
- (14) Install the radio (Refer to 8 - ELECTRICAL/AUDIO/RADIO - INSTALLATION).
- (15) Reconnect the negative battery cable.

IN - CAR TEMPERATURE SENSOR

DESCRIPTION

The in-car temperature sensor measures the actual air temperature within the passenger compartment. The in-car temperature sensor is located inside of the A/C-heater control behind a vented panel (Fig. 20) and is not a separate serviceable component. The A/C-heater control must be replaced if there is a fault relating to the in-car temperature sensor.



811252c5

Fig. 20 In-Car Temperature Sensor

- 1 - A/C-HEATER CONTROL
2 - IN-CAR TEMPERATURE SENSOR

OPERATION

Air from the passenger compartment flows over the thermistor of the in-car temperature sensor. The thermistor changes resistance with air temperature. The ATC A/C-heater control measures this resistance and calculates the temperature of the air. The A/C-heater control then makes adjustments to maintain the selected passenger compartment temperature.

The in-car temperature sensor cannot be adjusted or repaired, and if faulty or damaged, the A/C-heater control must be replaced (Refer to 24 - HEATING & AIR CONDITIONING/CONTROLS/A/C HEATER CONTROL - REMOVAL).

DIAGNOSIS AND TESTING

IN - CAR TEMPERATURE SENSOR

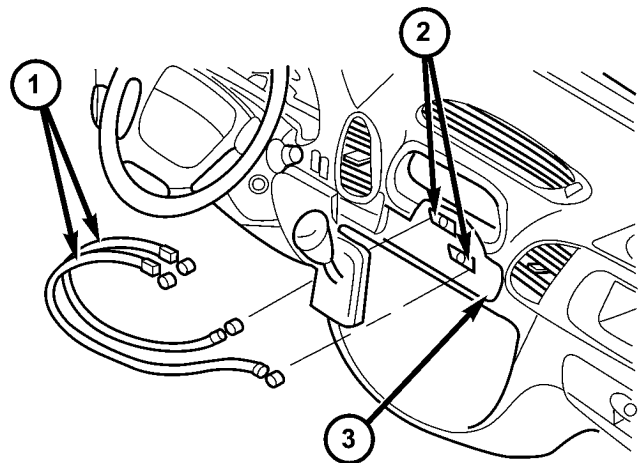
The in-car temperature sensor is diagnosed by performing the ATC Function Test using the DRBIII® scan tool. Refer to Body Diagnostic Procedures. For circuit descriptions and diagrams, refer to the appropriate wiring information.

MODE DOOR CABLES

REMOVAL

The air distribution control cables (mode door cables) can be removed and installed without having to remove the instrument panel from the vehicle.

- (1) Disconnect and isolate the negative battery cable.
- (2) Remove the center bezel from the instrument panel (Refer to 23 - BODY/INSTRUMENT PANEL/INSTRUMENT PANEL CENTER BEZEL - REMOVAL).
- (3) Remove the A/C-heater control (Refer to 24 - HEATING & AIR CONDITIONING/CONTROLS/A/C HEATER CONTROL - REMOVAL).
- (4) Mark and disconnect the control cables from the A/C-heater control.
- (5) Mark and disconnect the control cables from the HVAC housing retainers (Fig. 21).
- (6) Disconnect the control cables from the mode door levers and remove the cables from the vehicle.



81119958

Fig. 21 Air Distribution Control Cables

- 1 - AIR DISTRIBUTION CONTROL CABLES
2 - ADJUSTMENT LEVERS
3 - HVAC HOUSING

INSTALLATION

- (1) Connect the two control cables to the mode door levers (Fig. 22).
- (2) Connect the two control cables to the A/C-heater control.

NOTE: Install the control cable of bottom adjustment lever to the front adjustment wheel of the A/C-heater control.

- (3) Hold the A/C-heater control in its installation position.

NOTE: While holding the A/C-heater control in the installation position, verify that the control cables are not twisted.

(4) Turn the mode control knob on the A/C-heater control to the nine-o'clock position.

(5) Turn the upper mode door lever counter-clockwise until it reaches its stop and install the cable into the retainer in this position (arrow).

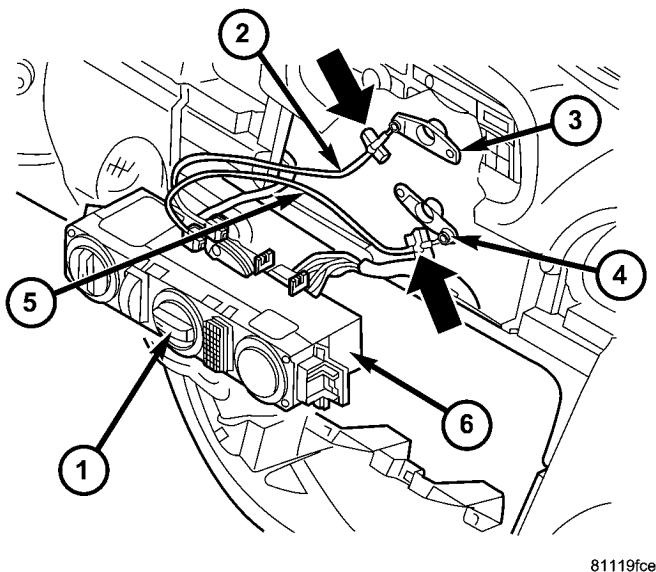
(6) Turn the lower mode door lever clockwise until it reaches its stop and install the cable into the retainer in this position (arrow).

(7) Operate the mode control and verify that the mode door cables are properly adjusted.

(8) Install the A/C-heater control and the two retaining screws. Tighten the screws to 2 N·m (17 in. lbs.).

(9) Install the center bezel onto the instrument panel (Refer to 23 - BODY/INSTRUMENT PANEL/INSTRUMENT PANEL CENTER BEZEL - INSTALLATION).

(10) Reconnect the negative battery cable.



81119fce

Fig. 22 Adjusting Air Distribution Control Cables

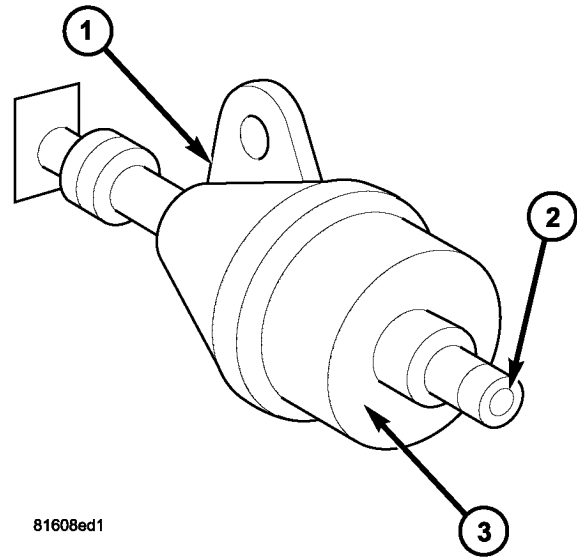
- 1 - MODE CONTROL KNOB
- 2 - UPPER MODE DOOR CABLE
- 3 - UPPER MODE DOOR LEVER
- 4 - LOWER MODE DOOR LEVER
- 5 - LOWER MODE DOOR CABLE
- 6 - HEATER-A/C CONTROL

RECIRCULATION DOOR ACTUATOR

DESCRIPTION

This vehicle uses a two-position vacuum operated recirculation door actuator to move the recirculation door (Fig. 23). Vacuum supply to the recirculation door actuator is controlled by an integral electronic control solenoid. The recirculation door actuator is

mounted on the outboard side of the ventilation housing above the blower motor in the engine compartment.



81608ed1

Fig. 23 Recirculation Door Actuator

- 1 - RECIRCULATION DOOR ACTUATOR
- 2 - VACUUM CONNECTOR
- 3 - ELECTRONIC CONTROL SOLENOID

OPERATION

The recirculation door actuator uses engine vacuum, which is controlled by an integral electrical solenoid. The electrical solenoid is connected to the A/C-heater control through the vehicle electrical system by a dedicated two-wire lead and connector. The output shaft of the recirculation door actuator is keyed to a pivot shaft, which is keyed to the recirculation door shaft. The recirculation door actuator can move the recirculation door in two directions.

The recirculation door actuator is controlled by an electrical switch that is integral to the A/C-heater control. When the rotary-type mode control is moved to the recirculation position, a signal is sent to the electrical solenoid within the recirculation door actuator. This signal causes the solenoid to open a port to engine vacuum which pulls the output shaft into the actuator, which moves the recirculation-air door. The actuator is spring loaded so the door moves to the fresh-air position when no vacuum is supplied through the electrical solenoid.

The recirculation door actuator can be diagnosed by performing the ATC Function Test using a DRBIII® scan tool. Refer to Body Diagnostic Procedures.

The recirculation door actuator cannot be repaired and, if faulty or damaged, it must be replaced.

REMOVAL

(1) Disconnect and isolate the battery negative cable.

- (2) Disconnect the wire harness connector from the recirculation door actuator (Fig. 24).
- (3) Disconnect the vacuum line from the recirculation door actuator.
- (4) Remove the two screws that secure the recirculation door actuator to the ventilation housing.
- (5) Disconnect the actuator shaft from the recirculation door pivot lever and remove the actuator from the vehicle.

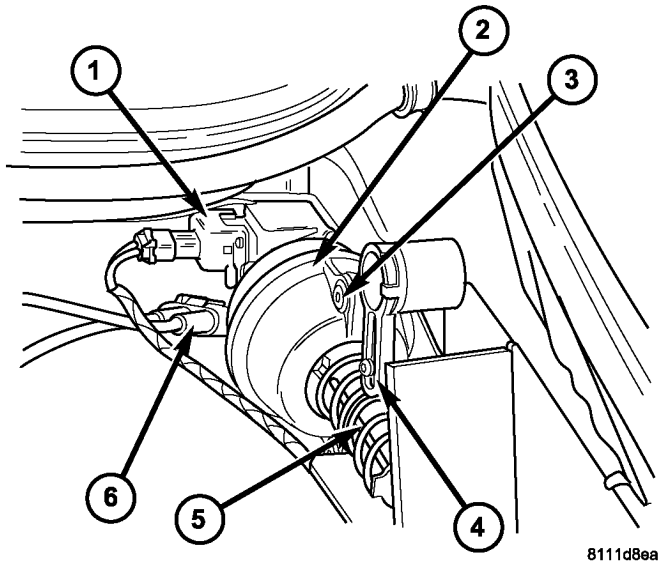


Fig. 24 Recirculation Door Actuator

-
- 1 - WIRE HARNESS CONNECTOR
 - 2 - RECIRCULATION DOOR ACTUATOR
 - 3 - SCREW (2)
 - 4 - PIVOT LEVER
 - 5 - ACTUATOR SHAFT
 - 6 - VACUUM LINE
-

INSTALLATION

- (1) Connect the actuator shaft to the recirculation door pivot lever.
- (2) Install the two screws that secure the recirculation door actuator to the ventilation housing. Tighten the screws to 2 N·m (17 in. lbs.).
- (3) Connect the vacuum line to the recirculation door actuator.
- (4) Connect the wire harness connector to the recirculation door actuator.
- (5) Reconnect the battery negative cable.

CONTROLS - REAR

TABLE OF CONTENTS

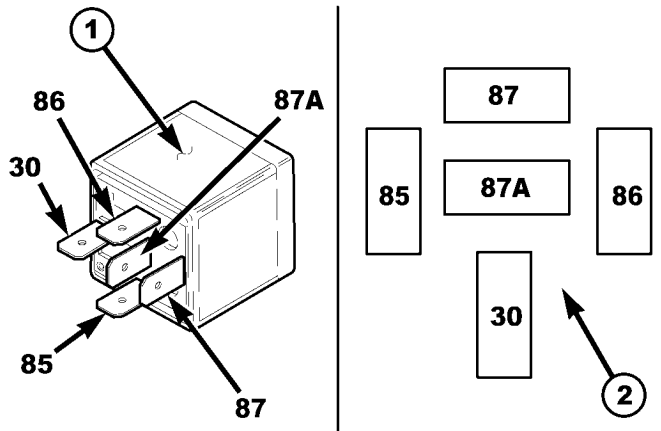
	page		page
A/C CLUTCH RELAY		REMOVAL	36
DESCRIPTION	24	INSTALLATION	37
OPERATION	25	EVAPORATOR TEMPERATURE SENSOR	
REMOVAL	25	DESCRIPTION	37
INSTALLATION	26	OPERATION	37
A/C CONDENSER FAN RELAY		REMOVAL	37
DESCRIPTION	26	INSTALLATION	38
OPERATION	26	TEMPERATURE CONTROL	
REMOVAL	27	DESCRIPTION	38
INSTALLATION	28	OPERATION	38
A/C CONTROL MODULE		DIAGNOSIS AND TESTING	
DESCRIPTION	28	REAR A/C TEMPERATURE CONTROL	39
OPERATION	28	REMOVAL	39
REMOVAL	29	INSTALLATION	40
INSTALLATION	30	TEMPERATURE SENSOR	
A/C HIGH PRESSURE SWITCH		DESCRIPTION	40
DESCRIPTION	30	OPERATION	40
OPERATION	30	DIAGNOSIS AND TESTING	
REMOVAL	31	REAR TEMPERATURE SENSOR	40
INSTALLATION	31	REMOVAL	40
A/C LOW PRESSURE SWITCH		INSTALLATION	41
DESCRIPTION	32	SUPPRESSOR FILTER - REAR BLOWER	
OPERATION	32	MOTOR	
REMOVAL	32	DESCRIPTION	41
INSTALLATION	33	OPERATION	41
BLOWER MOTOR RELAY		REMOVAL	42
DESCRIPTION	33	INSTALLATION	43
OPERATION	33	SUPPRESSOR FILTER - REAR CONDENSER	
REMOVAL	34	FAN	
INSTALLATION	35	DESCRIPTION	43
BLOWER MOTOR SWITCH		OPERATION	44
DESCRIPTION	35	REMOVAL	44
OPERATION	35	INSTALLATION	44
DIAGNOSIS AND TESTING			
REAR BLOWER MOTOR SWITCH	36		

A / C CLUTCH RELAY

DESCRIPTION

The rear A/C clutch relay for the rear A/C system is an International Standards Organization (ISO)-type relay (Fig. 1). Relays conforming to the ISO specifications have common physical dimensions, current capacities, terminal functions and patterns. The rear A/C clutch relay is an electromechanical device that uses a low current input controlled by the rear A/C control module to control the high current output to the A/C clutch field coil for the rear A/C system.

The rear A/C clutch relay is located in the relay block in the rear A/C evaporator housing.



8086f035

Fig. 1 Rear A/C Clutch Relay

- 1 - STANDARD ISO RELAY
- 2 - TERMINAL PATTERN

OPERATION

The ISO-standard rear A/C clutch relay is an electromechanical switch that uses a low current input from the rear A/C control module to control the high current output to the rear A/C clutch. The movable, common feed relay contact is held against the fixed, normally closed relay contact by spring pressure. When the electromagnetic relay coil is energized, it draws the movable common feed relay contact away from the fixed, normally closed relay contact and, holds it against the fixed, normally open relay contact. This action allows high current to flow to the A/C clutch field coil.

When the relay coil is de-energized, spring pressure returns the movable relay contact back against the fixed, normally closed contact point. The resistor or diode is connected in parallel with the relay coil, and helps to dissipate voltage spikes and electromagnetic interference that can be generated as the electromagnetic field of the relay coil collapses.

The rear A/C clutch relay terminals are connected to the vehicle electrical system through a receptacle in the relay block located in the rear A/C evaporator housing.

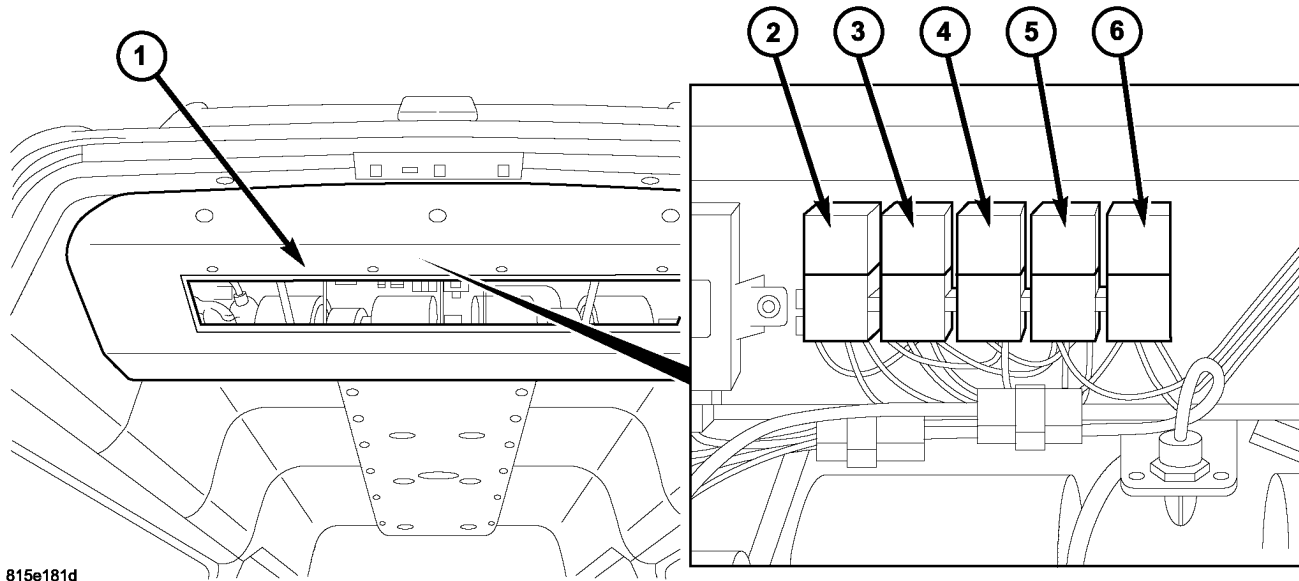
The rear A/C clutch relay cannot be repaired and, if faulty or damaged, it must be replaced. Refer to the appropriate wiring information for diagnosis and testing of the ISO-standard relay and for complete HVAC wiring diagrams.

REMOVAL

- (1) Disconnect and isolate the negative battery cable.
- (2) Remove the air filter from the rear A/C evaporator housing (Refer to 24 - HEATING & AIR CON-

DITIONING/DISTRIBUTION - REAR/AIR FILTER - REMOVAL).

- (3) Reach up into the rear A/C evaporator housing and remove the rear A/C clutch relay from the relay block (Fig. 2).



815e181d

Fig. 2 Rear A/C Clutch Relay

- 1 - REAR A/C EVAPORATOR HOUSING
- 2 - BLOWER MOTOR RELAY K204
- 3 - BLOWER MOTOR RELAY K203

- 4 - BLOWER MOTOR RELAY K201
- 5 - REAR CONDENSER FAN RELAY K205
- 6 - REAR COMPRESSOR RELAY K206

INSTALLATION

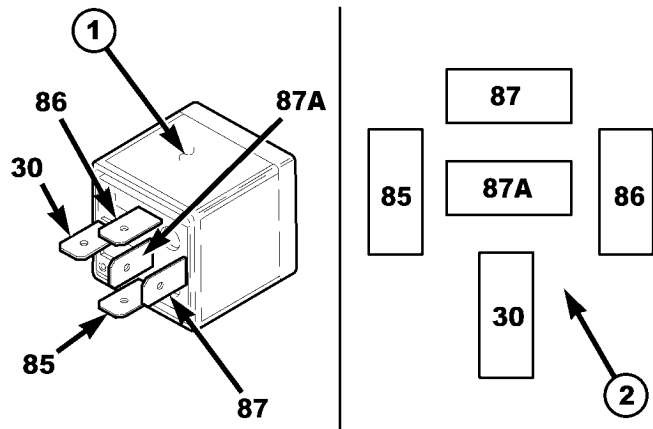
- (1) Position the rear A/C clutch relay into the proper receptacle of the relay block located in the rear A/C evaporator housing.
- (2) Align the A/C clutch relay terminals with the terminal cavities in the relay block receptacle and push down firmly on the relay until the terminals are fully seated.
- (3) Install the rear air filter (Refer to 24 - HEATING & AIR CONDITIONING/DISTRIBUTION - REAR/AIR FILTER - INSTALLATION).
- (4) Reconnect the negative battery cable.

A / C CONDENSER FAN RELAY

DESCRIPTION

The rear A/C condenser fan relay for the rear A/C system is an International Standards Organization (ISO)-type relay (Fig. 3). Relays conforming to the ISO specifications have common physical dimensions, current capacities, terminal functions and patterns. The rear A/C condenser fan relay is an electromechanical device that uses a low current input to control the high current output to the A/C condenser fan for the rear heating-A/C system.

The rear A/C condenser fan relay is located in the relay block in the rear A/C evaporator housing.



8086f035

Fig. 3 Rear A/C Condenser Fan Relay

- 1 - STANDARD ISO RELAY
- 2 - TERMINAL PATTERN

OPERATION

The ISO-standard rear A/C condenser fan relay is an electromechanical switch that uses a low current input from the rear A/C control module to control the high current output to the rear A/C condenser cooling fan. The movable, common feed relay contact is held against the fixed, normally closed relay contact by spring pressure. When the electromagnetic relay coil

is energized, it draws the movable common feed relay contact away from the fixed, normally closed relay contact and, holds it against the fixed, normally open relay contact. This action allows high current to flow to the electric cooling fan motor.

When the relay coil is de-energized, spring pressure returns the movable relay contact back against the fixed, normally closed contact point. The resistor or diode is connected in parallel with the relay coil, and helps to dissipate voltage spikes and electromagnetic interference that can be generated as the electromagnetic field of the relay coil collapses.

The rear A/C condenser fan relay terminals are connected to the vehicle electrical system through a receptacle in the relay block located in the rear A/C evaporator housing.

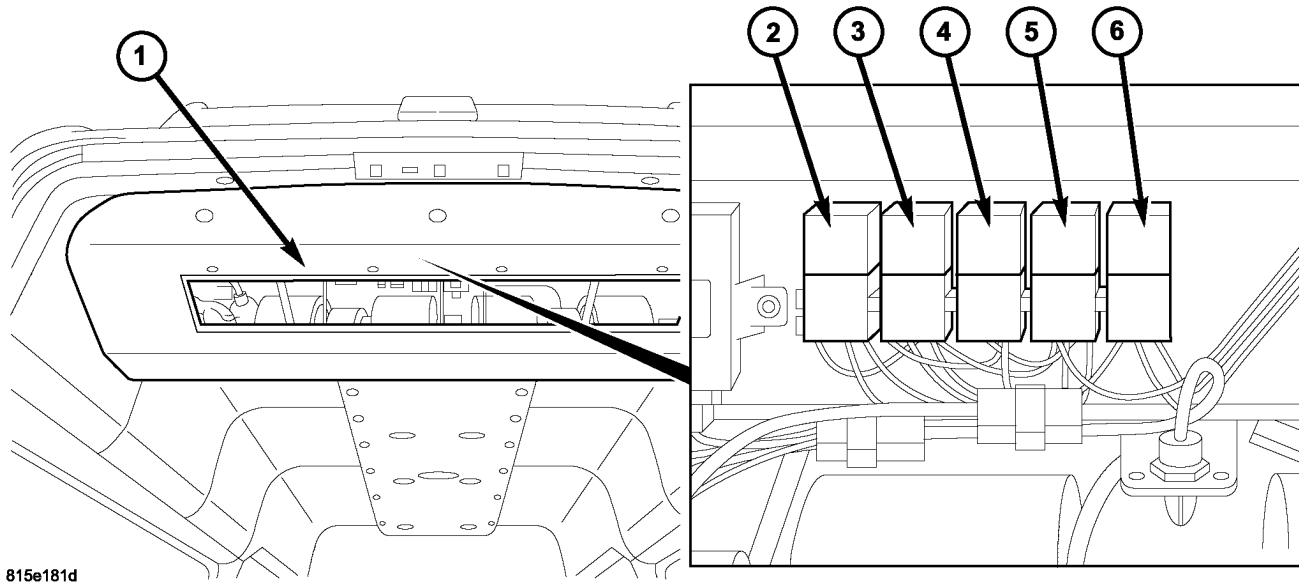
The rear A/C condenser fan relay cannot be repaired and, if faulty or damaged, it must be replaced. Refer to the appropriate wiring information for diagnosis and testing of the ISO-standard relay and for complete HVAC wiring diagrams.

REMOVAL

(1) Disconnect and isolate the negative battery cable.

(2) Remove the air filter from the rear A/C evaporator housing (Refer to 24 - HEATING & AIR CONDITIONING/DISTRIBUTION - REAR/AIR FILTER - REMOVAL).

(3) Reach up into the rear A/C evaporator housing and remove the rear A/C condenser fan relay from the relay block (Fig. 4).



815e181d

Fig. 4 Rear A/C Condenser Fan Relay

- 1 - REAR A/C EVAPORATOR HOUSING
- 2 - BLOWER MOTOR RELAY K204
- 3 - BLOWER MOTOR RELAY K203

- 4 - BLOWER MOTOR RELAY K201
- 5 - REAR CONDENSER FAN RELAY K205
- 6 - REAR COMPRESSOR RELAY K206

INSTALLATION

(1) Position the rear A/C condenser fan relay into the proper receptacle of the relay block located in the rear A/C evaporator housing.

(2) Align the A/C condenser fan relay terminals with the terminal cavities in the relay block receptacle and push down firmly on the relay until the terminals are fully seated.

(3) Install the rear air filter (Refer to 24 - HEATING & AIR CONDITIONING/DISTRIBUTION - REAR/AIR FILTER - INSTALLATION).

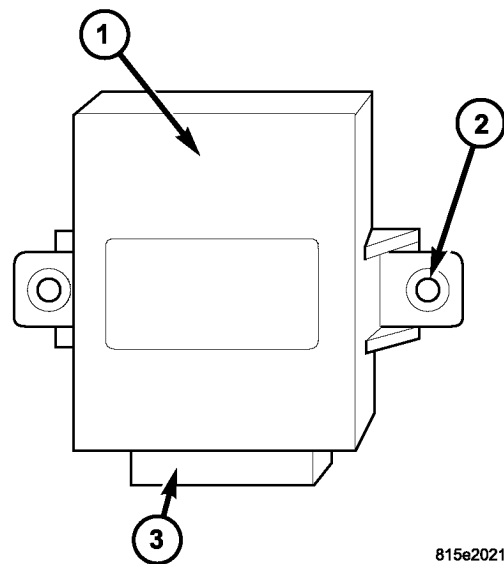
(4) Reconnect the negative battery cable.

A / C CONTROL MODULE

DESCRIPTION

The rear A/C control module (Fig. 5) is connected to the rear A/C blower motor switch, rear evaporative temperature sensor, rear A/C temperature control and the temperature sensor.

The rear A/C control module is located in the upper left side of the rear A/C evaporator housing.



815e2021

Fig. 5 Rear A/C Control Module

- 1 - REAR A/C CONTROL MODULE
- 2 - MOUNTING TABS
- 3 - WIRE HARNESS CONNECTOR

OPERATION

The rear A/C control module is supplied fused battery power through the rear blower switch. The control module receives input signals from the rear A/C blower motor switch, rear A/C temperature control, rear temperature sensor and the rear evaporator temperature sensor when the front A/C switch is turned on. The rear A/C control module uses the

input signals to control rear blower motor speed and output air temperature, and to prevent freezing of the rear evaporator core.

The rear A/C control module cannot be repaired and, if faulty or damaged, it must be replaced. Refer to the appropriate wiring information for complete HVAC wiring diagrams.

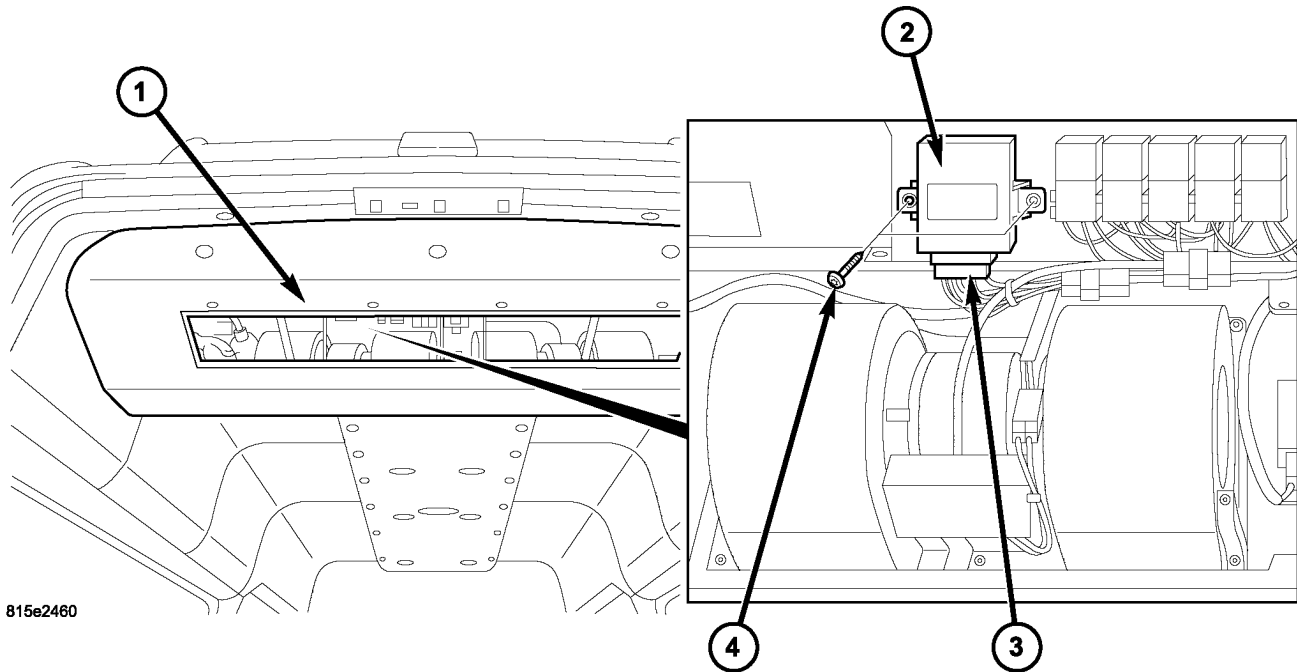
REMOVAL

(1) Disconnect and isolate the negative battery cable.

(2) Remove the air filter from the rear A/C evaporator housing (Refer to 24 - HEATING & AIR CONDITIONING/DISTRIBUTION - REAR/AIR FILTER - REMOVAL).

(3) Reach up into the rear A/C evaporator housing and disconnect the wire harness connector from the rear A/C control module (Fig. 6).

(4) Remove the two screws that secure the rear A/C control module to the rear A/C evaporator housing and remove the control module.



815e2460

Fig. 6 Rear A/C Control Module

1 - REAR A/C EVAPORATOR HOUSING
2 - REAR A/C CONTROL MODULE

3 - WIRE HARNESS CONNECTOR
4 - SCREW (2)

INSTALLATION

- (1) Position the rear A/C control module to the rear A/C evaporator housing.
- (2) Install the two screws that secure the rear A/C control module to the rear A/C evaporator housing. Tighten the screws to 2 N·m (17 in. lbs.).
- (3) Connect the wire harness connector to the rear A/C control module.
- (4) Install the rear air filter (Refer to 24 - HEATING & AIR CONDITIONING/DISTRIBUTION - REAR/AIR FILTER - INSTALLATION).
- (5) Reconnect the negative battery cable.

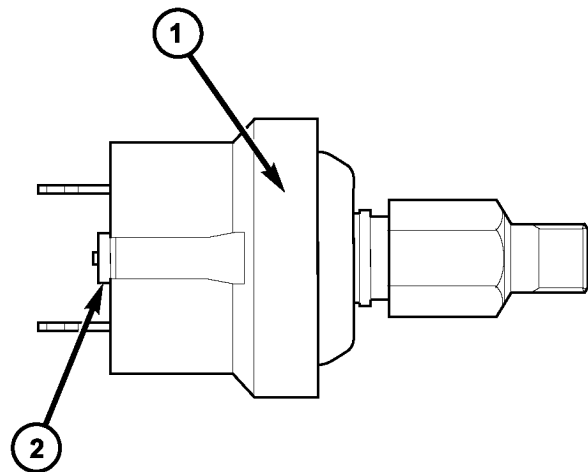
The rear refrigerant system must be discharged prior to removing the rear A/C high pressure switch.

A / C HIGH PRESSURE SWITCH

DESCRIPTION

The rear A/C high pressure switch provides a signal to the rear A/C control module to control rear A/C compressor clutch engagement/disengagement and, control rear A/C condenser cooling fan operation (Fig. 7). The rear A/C control module will disengage the rear A/C clutch if the rear refrigerant system pressure exceeds approximately 2551 kPa (370 psi).

The rear A/C high pressure switch is mounted on a fitting located on the inlet tube of the rear A/C condenser.



81608ed6

Fig. 7 Rear A/C High Pressure Switch

1 - REAR PRESSURE SWITCH
2 - WIRE CONNECTOR

OPERATION

The contacts in the rear A/C high pressure switch open and close causing the rear A/C control module to turn the rear A/C clutch on and off. This prevents

rear A/C compressor operation when the rear discharge line pressure approaches high levels, and also reduces electrical surging from rear A/C clutch engagement.

The rear A/C high pressure switch controls rear A/C condenser cooling fan operation by monitoring the rear discharge line pressure. When the rear discharge pressure rises above approximately 1900 to 2200 kPa (280 to 320 psi) the rear A/C condenser cooling fan will turn on. The rear condenser cooling fan will turn off when the rear discharge pressure drops to approximately 1600 kPa (235 psi).

The rear A/C high pressure switch contacts open when the rear discharge line pressure rises above approximately 3100 to 3375 kPa (450 to 490 psi). The rear A/C high pressure switch contacts close when the rear discharge line pressure drops to approximately 1860 to 2275 kPa (270 to 330 psi).

The rear A/C high pressure switch is factory-calibrated and cannot be adjusted or repaired and, if faulty or damaged, it must be replaced. Refer to the appropriate wiring information for complete HVAC wiring diagrams.

REMOVAL

WARNING: Refer to the applicable warnings and cautions for this system before performing the following operation (Refer to 24 - HEATING & AIR CONDITIONING/PLUMBING - WARNINGS) and (Refer to 24 - HEATING & AIR CONDITIONING/PLUMBING - CAUTIONS). Failure to follow the warnings and cautions could result in possible personal injury or death.

(1) Disconnect and isolate the negative battery cable.

(2) Remove the air filter from the rear A/C evaporator housing (Refer to 24 - HEATING & AIR CONDITIONING/DISTRIBUTION - REAR/AIR FILTER - REMOVAL).

(3) Recover the refrigerant from the rear refrigerant system (Refer to 24 - HEATING & AIR CONDITIONING/PLUMBING - STANDARD PROCEDURE - REFRIGERANT RECOVERY).

(4) Remove the cover from the rear A/C condenser housing (Refer to 24 - HEATING & AIR CONDITIONING/DISTRIBUTION - REAR/A/C CONDENSER COVER - REMOVAL).

(5) Disconnect the wire harness connector from the rear A/C high pressure switch (Fig. 8).

(6) Remove the rear A/C high pressure switch and install a plug into, or tape over the opened rear discharge line fitting.

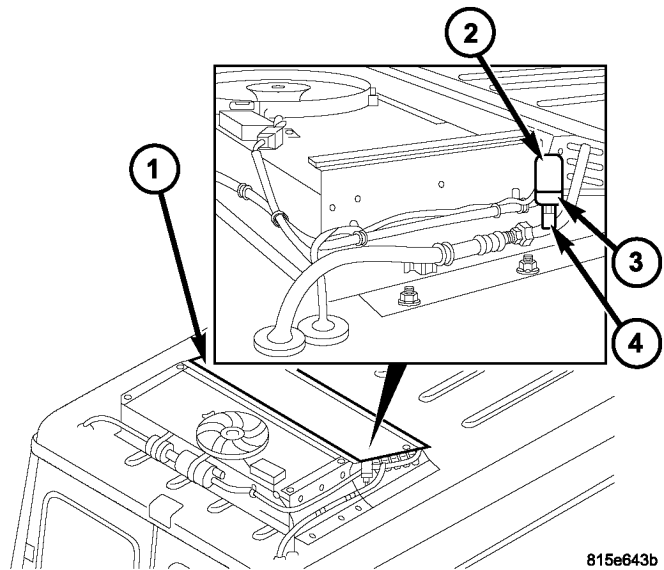


Fig. 8 Rear A/C High Pressure Switch

- 1 - REAR A/C CONDENSER
- 2 - WIRE HARNESS CONNECTOR
- 3 - REAR A/C HIGH PRESSURE SWITCH
- 4 - REAR DISCHARGE LINE FITTING

INSTALLATION

NOTE: Replacement of the PTFE thread sealing tape is required anytime the rear A/C high pressure switch is removed from the rear discharge line. Failure to replace the sealing tape could result in a rear refrigerant system leak.

(1) Remove the tape or plug from the rear discharge line fitting.

(2) Install PTFE thread sealing tape onto the rear A/C high pressure switch and install the switch onto the rear discharge line. Tightened the A/C high pressure switch to 10 N·m (88 in. lbs.).

(3) Connect the wiring harness connector to the rear A/C high pressure switch.

(4) Reconnect the negative battery cable.

(5) Evacuate the rear refrigerant system (Refer to 24 - HEATING & AIR CONDITIONING/PLUMBING - STANDARD PROCEDURE - REFRIGERANT SYSTEM EVACUATE).

(6) Charge the rear refrigerant system (Refer to 24 - HEATING & AIR CONDITIONING/PLUMBING - STANDARD PROCEDURE - REFRIGERANT SYSTEM CHARGE).

(7) Install the rear air filter (Refer to 24 - HEATING & AIR CONDITIONING/DISTRIBUTION - REAR/AIR FILTER - INSTALLATION).

(8) Install the cover onto the rear A/C condenser housing (Refer to 24 - HEATING & AIR CONDITIONING/DISTRIBUTION - REAR/A/C CONDENSER COVER - INSTALLATION).

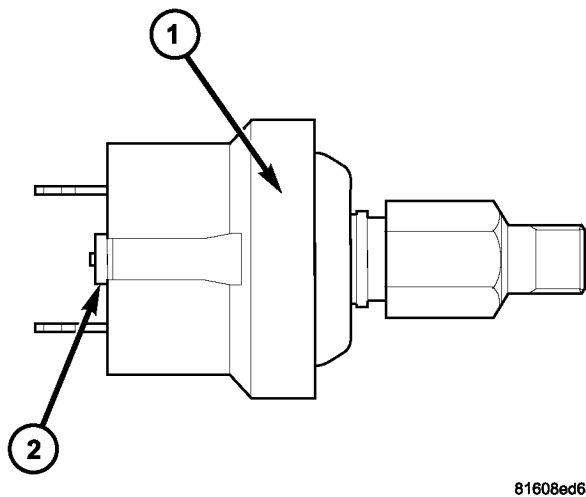
A / C LOW PRESSURE SWITCH

DESCRIPTION

The rear A/C low pressure switch provides a signal to the rear A/C control module to regulate the rear refrigerant system pressure and control rear A/C evaporator temperature (Fig. 9). The rear A/C control module will disengage the rear A/C clutch if the rear refrigerant system suction line pressure falls below 30 kPa (4.4 psi).

The rear A/C low pressure switch is mounted on a fitting located on the rear suction line near the left side of the rear A/C evaporator housing.

The rear refrigerant system must be discharge prior to removing the rear A/C low pressure switch.



81608ed6

Fig. 9 Rear A/C Low Pressure Switch

- 1 - REAR PRESSURE SWITCH
2 - WIRE CONNECTOR

OPERATION

The rear A/C low pressure switch is electrically connected in series with the rear A/C high pressure switch, between ground and the rear A/C control module.

The rear A/C low pressure switch contact opens or closes the path the ground, signaling the rear A/C control module to turn the rear A/C clutch on and off. This regulates the rear refrigerant system pressure and controls rear A/C evaporator temperature. Controlling the rear evaporator temperature prevents condensate water on the evaporator fins from freezing and obstructing rear A/C system air flow.

The rear A/C low pressure switch contacts are open when the rear suction line pressure is approximately 152 kPa (22 psi) or lower. The rear A/C low pressure switch contacts will close when the rear suction line pressure rises to approximately 234 to 262 kPa (34 to 38 psi) or above. Lower ambient temperatures, below

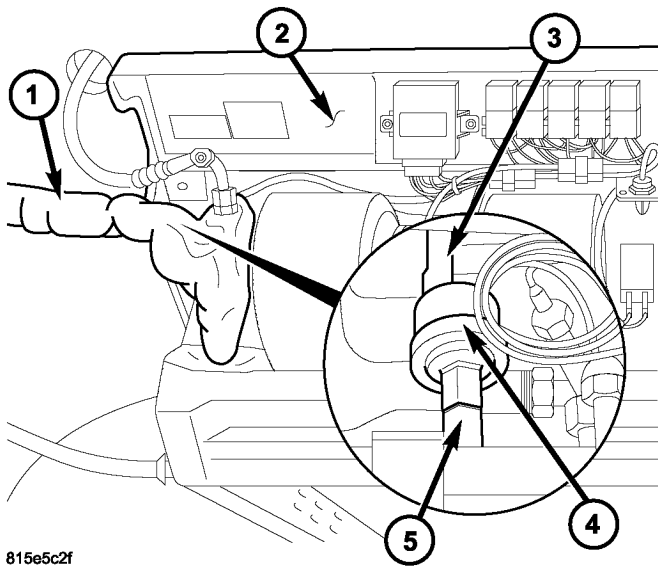
approximately -1° C (30° F), will also cause the rear A/C low pressure switch contacts to open due to the pressure/temperature relationship of the refrigerant in the system.

The rear A/C low pressure switch is factory-calibrated and cannot be adjusted or repaired and, if faulty or damaged, it must be replaced. Refer to the appropriate wiring information for complete HVAC wiring diagrams.

REMOVAL

WARNING: Refer to the applicable warnings and cautions for this system before performing the following operation (Refer to 24 - HEATING & AIR CONDITIONING/PLUMBING - WARNINGS) and (Refer to 24 - HEATING & AIR CONDITIONING/PLUMBING - CAUTIONS). Failure to follow the warnings and cautions could result in possible personal injury or death.

- (1) Disconnect and isolate the negative battery cable.
- (2) Remove the cover from the rear A/C evaporator housing (Refer to 24 - HEATING & AIR CONDITIONING/DISTRIBUTION - REAR/A/C EVAPORATOR COVER-REAR - REMOVAL).
- (3) Recover the refrigerant from the rear refrigerant system (Refer to 24 - HEATING & AIR CONDITIONING/PLUMBING - STANDARD PROCEDURE - REFRIGERANT RECOVERY).
- (4) Remove the insulating tape from around the area of the rear A/C low pressure switch (Fig. 10).
- (5) Disconnect the wire harness connector from the rear A/C low pressure switch.
- (6) Remove the rear A/C low pressure switch and install a plug into, or tape over the opened rear suction line fitting.



815e5c2f

Fig. 10 Rear A/C Low Pressure Switch

- 1 - INSULATING TAPE
- 2 - REAR A/C EVAPORATOR HOUSING
- 3 - WIRE HARNESS CONNECTOR
- 4 - REAR A/C LOW PRESSURE SWITCH
- 5 - REAR SUCTION LINE FITTING

INSTALLATION

NOTE: Replacement of the PTFE thread sealing tape is required anytime the rear A/C low pressure switch is removed from the rear suction line line. Failure to replace the sealing tape could result in a rear refrigerant system leak.

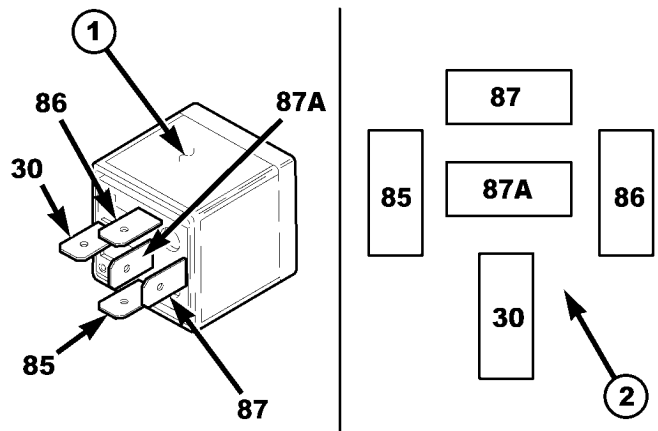
- (1) Remove the tape or plug from the rear suction line fitting.
- (2) Install PTFE thread sealing tape onto the rear A/C low pressure switch and install the switch onto the rear suction line. Tightened the A/C low pressure switch to 10 N·m (88 in. lbs.).
- (3) Connect the wiring harness connector to the rear A/C low pressure switch.
- (4) Install new insulating tape around the rear A/C low pressure switch area.
- (5) Reconnect the negative battery cable.
- (6) Evacuate the rear refrigerant system (Refer to 24 - HEATING & AIR CONDITIONING/PLUMBING - STANDARD PROCEDURE - REFRIGERANT SYSTEM EVACUATE).
- (7) Charge the rear refrigerant system (Refer to 24 - HEATING & AIR CONDITIONING/PLUMBING - STANDARD PROCEDURE - REFRIGERANT SYSTEM CHARGE).
- (8) Install the cover onto the rear A/C evaporator housing (Refer to 24 - HEATING & AIR CONDITIONING/DISTRIBUTION - REAR/A/C EVAPORATOR COVER-REAR - INSTALLATION).

BLOWER MOTOR RELAY

DESCRIPTION

The three rear blower motor relays used for the rear A/C system are International Standards Organization (ISO)-type relays (Fig. 11). Relays conforming to the ISO specifications have common physical dimensions, current capacities, terminal functions and patterns. The rear blower motor relays are electromechanical devices that switches fused battery current directly to the rear blower motors. The rear blower motor relays are energized when the relay coils are provided battery current by the rear blower motor switch (Refer to 24 - HEATING & AIR CONDITIONING/CONTROLS/BLOWER MOTOR SWITCH - DESCRIPTION).

The rear blower motor relays are located in the relay block in the rear A/C evaporator housing.



8086f035

Fig. 11 Rear Blower Motor Relays

- 1 - STANDARD ISO RELAY
- 2 - TERMINAL PATTERN

OPERATION

The three ISO-standard rear blower motor relays are electromechanical switches that uses a low current input from the rear blower motor switch to control the high current output to the rear blower motors. The movable, common feed relay contact is held against the fixed, normally closed relay contact by spring pressure. When the electromagnetic relay coil is energized, it draws the movable common feed relay contact away from the fixed, normally closed relay contact and, holds it against the fixed, normally open relay contact. This action allows high current to flow to the rear blower motors.

When the relay coil is de-energized, spring pressure returns the movable relay contact back against the fixed, normally closed contact point. The resistor

or diode is connected in parallel with the relay coil, and helps to dissipate voltage spikes and electromagnetic interference that can be generated as the electromagnetic field of the relay coil collapses.

The rear blower motor relay terminals are connected to the vehicle electrical system through receptacles in the relay block located in the rear A/C evaporator housing.

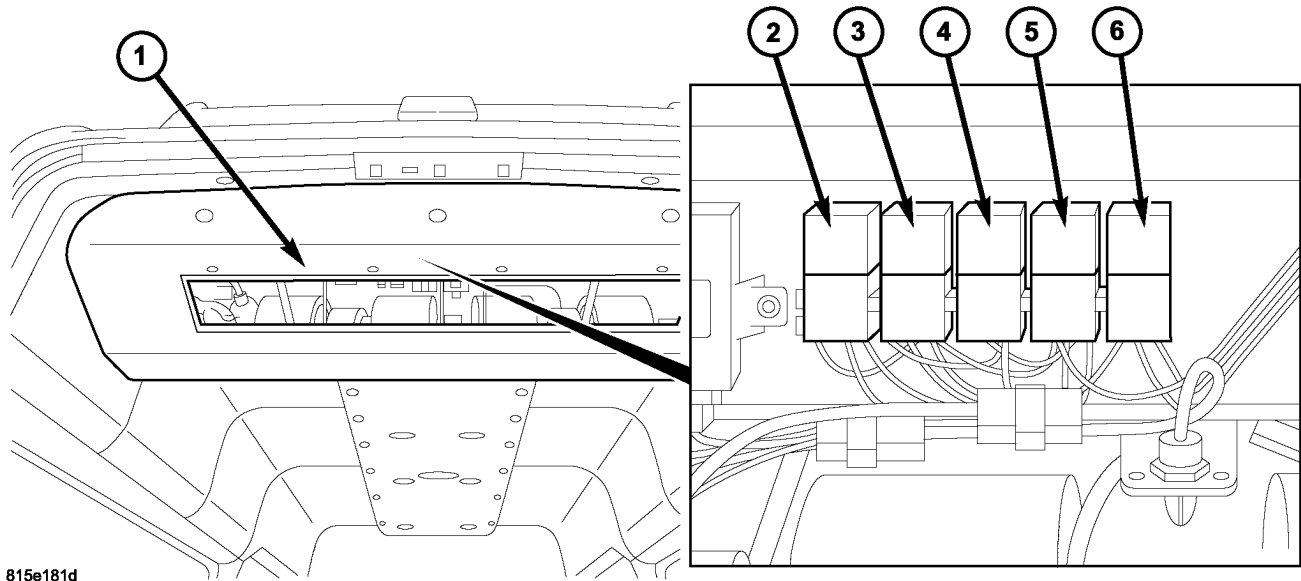
The rear blower motor relays cannot be repaired and, if faulty or damaged, they must be replaced. Refer to the appropriate wiring information for diagnosis and testing of the ISO-standard relay and for complete HVAC wiring diagrams.

REMOVAL

(1) Disconnect and isolate the negative battery cable.

(2) Remove the air filter from the rear A/C evaporator housing (Refer to 24 - HEATING & AIR CONDITIONING/DISTRIBUTION - REAR/AIR FILTER - REMOVAL).

(3) Reach up into the rear A/C evaporator housing and remove the rear blower motor relays as necessary from the relay block (Fig. 12).



815e181d

Fig. 12 Rear Blower Motor Relays

- 1 - REAR A/C EVAPORATOR HOUSING
- 2 - BLOWER MOTOR RELAY K204
- 3 - BLOWER MOTOR RELAY K203

- 4 - BLOWER MOTOR RELAY K201
- 5 - REAR CONDENSER FAN RELAY K205
- 6 - REAR COMPRESSOR RELAY K206

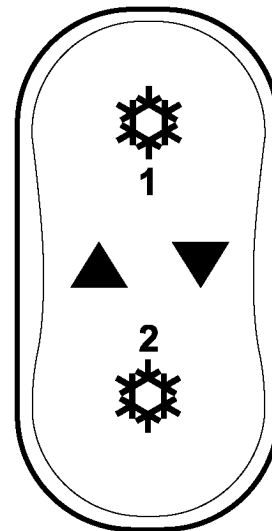
INSTALLATION

- (1) Position the rear blower motor relays into the proper receptacle of the relay block located in the rear A/C evaporator housing as necessary.
- (2) Align the blower motor relay terminals with the terminal cavities in the relay block receptacle and push down firmly on the relay until the terminals are fully seated.
- (3) Install the rear air filter (Refer to 24 - HEATING & AIR CONDITIONING/DISTRIBUTION - REAR/AIR FILTER - INSTALLATION).
- (4) Reconnect the negative battery cable.

BLOWER MOTOR SWITCH

DESCRIPTION

The blower motor for the optional rear A/C system is controlled by a three position rocker switch mounted in the switch panel located on the instrument panel (Fig. 13). The rear A/C blower motor switch allows the selection of one of two blower motor speeds and an Off position.



8111e286

Fig. 13 Rear Air Conditioning Switch

OPERATION

With the front A/C switch activated, the rear blower motor speed can be selected by pressing the rocker switch upwards (high speed) or downwards (low speed). To turn the rear blower motor off, switch the blower motor switch to the center position. Depending on the blower motor switch position, a blower motor speed command signal is sent to one of the two blower motor relays. When activated, relay 1 sends power through an integral resistor within the rear A/C control module and then to the blower

motor, while relay 2 when activated, sends power directly to the blower motor.

The rear blower motor switch cannot be repaired and, if faulty or damaged, it must be replaced.

DIAGNOSIS AND TESTING

REAR BLOWER MOTOR SWITCH

Before testing the rear blower motor switch, verify that the front A/C system is functional by performing the ATC Function Test using the DRBIII® scan tool. Use a volt/ohmmeter to test the rear blower motor switch. For circuit descriptions and diagrams, refer to the appropriate wiring information. The wiring information includes wiring diagrams, proper wire and connector repair procedures, details of wire harness routing and retention, connector pin-out information and location views for the various wire harness connectors, splices and grounds.

WARNING: To avoid personal injury or death, on vehicles equipped with airbags, disable the supplemental restraint system before attempting any steering wheel, steering column, airbag, seat belt tensioner, impact sensor, or instrument panel component diagnosis or service. Disconnect and isolate the battery negative (ground) cable, then wait two minutes for the system capacitor to discharge before performing further diagnosis or service. This is the only sure way to disable the supplemental restraint system. Failure to take the proper precautions could result in accidental airbag deployment.

(1) Disconnect and isolate the battery negative cable.

(2) Unplug the wire harness connector from the rear blower motor switch.

(3) Check for continuity between terminal 10 and terminals 1, 7 and 4 of the blower motor switch. In all instances, there should be continuity.

NOTE: To check the switch's internal circuits, connect the negative lead of the ohmmeter to terminal 10 and the positive ohmmeter lead to terminals 1, 7 and 4. To check the switch's integral light emitting diodes, reverse the ohmmeter leads.

(4) Check for continuity between the rear blower motor switch terminals 3 and 7 as you move the blower motor switch to each of the two speed positions, and the Off position. There should be continuity in only one blower motor switch speed position.

(5) Check for continuity between the rear blower motor switch terminals 4 and 8 as you move the blower motor switch to each of the two speed positions, and the Off position. There should be continu-

ity in only the other blower motor switch speed position.

(6) If OK, test and repair the rear blower motor switch wire harness circuits. If not OK, replace the faulty rear blower motor switch.

REMOVAL

WARNING: To avoid personal injury or death, on vehicles equipped with airbags, disable the supplemental restraint system before attempting any steering wheel, steering column, airbag, seat belt tensioner, impact sensor, or instrument panel component diagnosis or service. Disconnect and isolate the battery negative (ground) cable, then wait two minutes for the system capacitor to discharge before performing further diagnosis or service. This is the only sure way to disable the supplemental restraint system. Failure to take the proper precautions could result in accidental airbag deployment.

NOTE: The rear A/C blower motor switch is used on vehicles with the optional rear A/C system.

(1) Disconnect and isolate the negative battery cable.

(2) Remove the accessory switch panel from the instrument panel (Refer to 23 - BODY/INSTRUMENT PANEL/ACCESSORY SWITCH BEZEL - REMOVAL).

(3) Disconnect the wire harness connector from the rear A/C blower motor switch (Fig. 14).

(4) Disengage the retaining tabs and remove the rear A/C blower motor switch from the accessory switch panel.

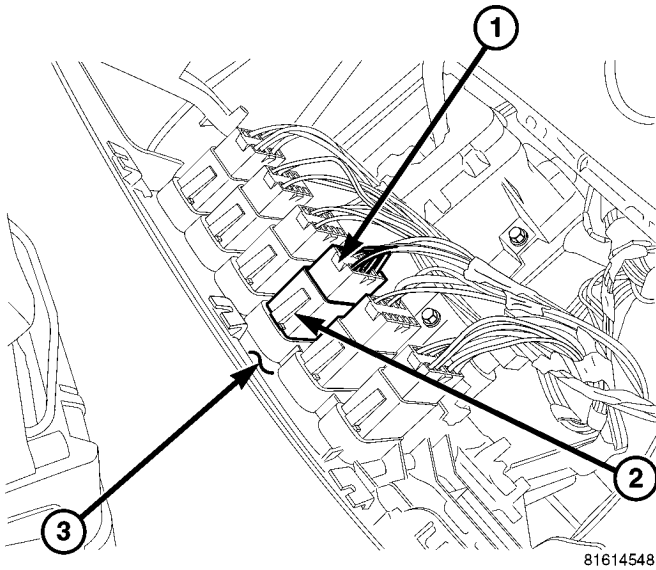


Fig. 14 Rear A/C Blower Motor Switch

- 1 - WIRE HARNESS CONNECTOR
- 2 - REAR A/C BLOWER MOTOR SWITCH
- 3 - ACCESSORY SWITCH PANEL

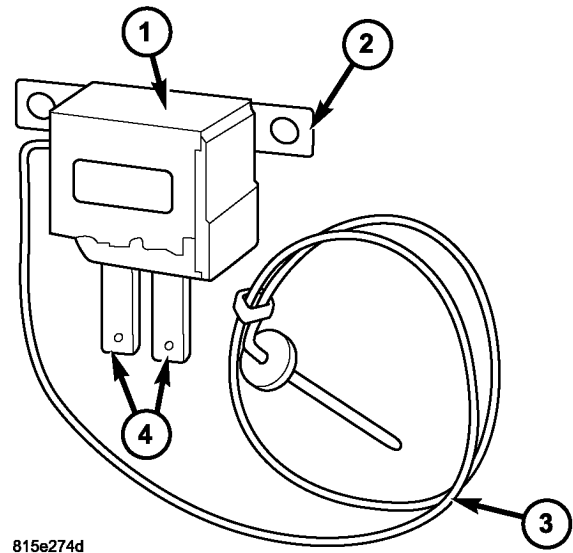


Fig. 15 Rear Evaporator Temperature Sensor

- 1 - SWITCH UNIT
- 2 - MOUNTING TAB (2)
- 3 - CAPILLARY TUBE
- 4 - WIRE CONNECTORS

INSTALLATION

- (1) Install the rear A/C blower motor switch into the accessory switch panel. Make sure the retaining tabs are fully engaged.
- (2) Connect the wire harness connector to the rear A/C blower motor switch.
- (3) Install the accessory switch panel (Refer to 23 - BODY/INSTRUMENT PANEL/ACCESSORY SWITCH BEZEL - INSTALLATION).
- (4) Reconnect the negative battery cable.

EVAPORATOR TEMPERATURE SENSOR

DESCRIPTION

The rear evaporator temperature sensor (Fig. 15) is used to signal the rear A/C control module to cycle the rear A/C clutch in order to control rear evaporator temperature. Controlling the evaporator temperature prevents condensation on the evaporator fins from freezing and obstructing rear A/C system air flow.

The rear evaporator temperature sensor consists of a probe and a switch unit. The probe, which is a Negative Temperature Coefficient (NTC) thermistor in a capillary tube, is inserted between the rear evaporator coil fins to monitor evaporator temperature. The switch unit contains internal control logic that monitors the input from the probe in order to switch an internal transistor that controls the output signal to the rear A/C control module.

The rear evaporator temperature sensor is located in the rear A/C evaporator housing.

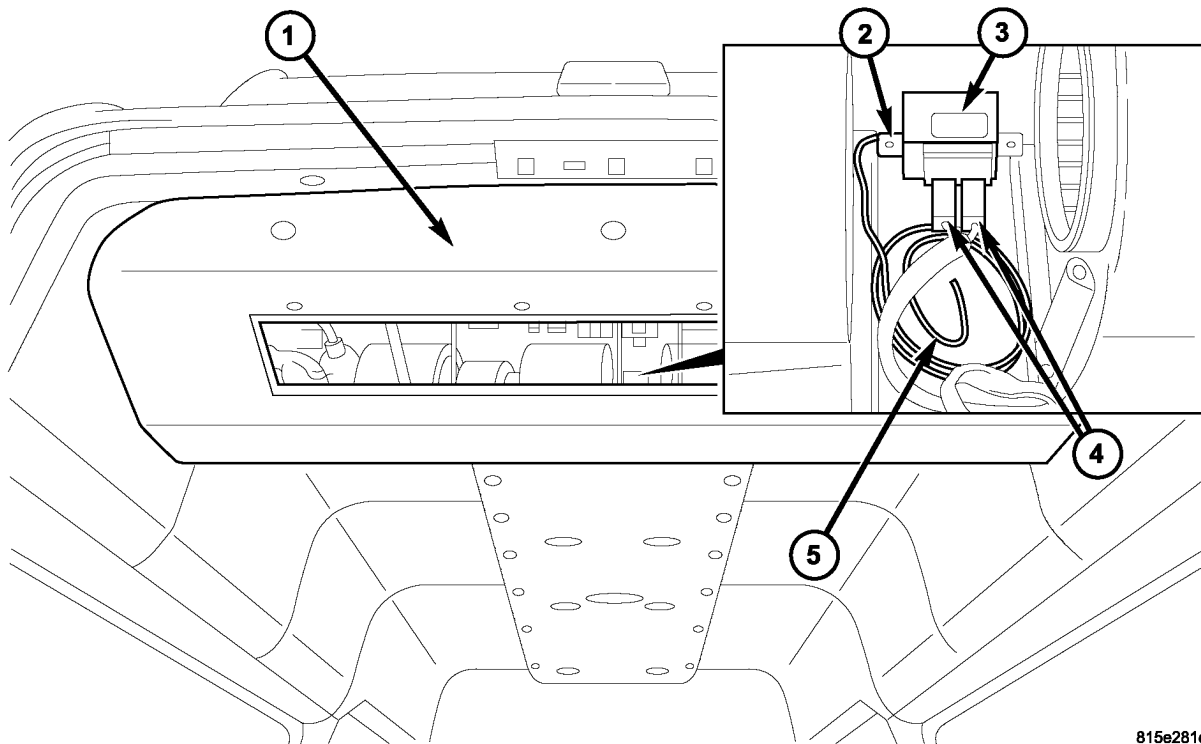
OPERATION

The rear evaporator temperature sensor signals the rear A/C control module to cycle the rear A/C clutch off if the rear evaporator temperature goes below approximately 1.6° C (35° F). When the temperature reaches above approximately 3.9° C (39° F), the rear evaporator temperature sensor signals the rear A/C control module to cycle the rear A/C clutch back on.

The rear evaporator temperature sensor cannot be adjusted or repaired. If faulty or damaged, it must be replaced. Refer to the appropriate wiring information for complete HVAC wiring diagrams.

REMOVAL

- (1) Disconnect and isolate the negative battery cable.
- (2) Remove the air filter from the rear A/C evaporator housing (Refer to 24 - HEATING & AIR CONDITIONING/DISTRIBUTION - REAR/AIR FILTER - REMOVAL).
- (3) Reach up into the rear A/C evaporator housing and disconnect the two wire harness connectors from the rear evaporator temperature sensor (Fig. 16).
- (4) Carefully remove the sensor probe from the rear A/C evaporator.
- (5) Remove the two screws that secure the rear evaporator sensor to the rear A/C evaporator housing and remove the sensor.



815e281e

Fig. 16 Rear Evaporator Temperature Sensor

- 1 - REAR A/C EVAPORATOR HOUSING
 2 - SCREWS (2)
 3 - REAR EVAPORATOR SENSOR SWITCH UNIT

- 4 - WIRE HARNESS CONNECTORS
 5 - REAR EVAPORATOR SENSOR PROBE

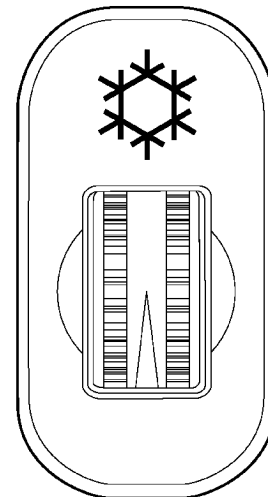
INSTALLATION

- (1) Position the rear evaporator temperature sensor to the rear A/C evaporator housing.
- (2) Install the two screws that secure the rear evaporator temperature sensor to the rear A/C evaporator housing. Tighten the screws to 2 N-m (17 in. lbs.).
- (3) Install the sensor probe into the rear A/C evaporator.
- (4) Connect the two wire harness connectors to the rear evaporator temperature sensor.
- (5) Install the rear air filter (Refer to 24 - HEATING & AIR CONDITIONING/DISTRIBUTION - REAR/AIR FILTER - INSTALLATION).
- (6) Reconnect the negative battery cable.

TEMPERATURE CONTROL

DESCRIPTION

The temperature control for the optional rear A/C system is a thumbwheel-type control mounted in the switch panel on the instrument panel (Fig. 17). The rear A/C temperature control allows the selection of four temperature settings when the rear A/C blower motor is activated.



8112004f

Fig. 17 Rear A/C Temperature Control

OPERATION

With the front A/C switch and rear blower motor activated, the rear A/C output temperature can be selected by rotating the thumbwheel control upwards (increase cooling) or downwards (decrease cooling). Depending on the rear A/C temperature control position, a temperature command signal is sent to the

rear A/C control module. The temperature of the circulated internal air of the rear compartment is measured by a temperature sensor located in the rear evaporator unit. The value of the temperature sensor is compared in the rear A/C control module with an adjusted value at the rear A/C temperature control.

The rear A/C temperature control cannot be repaired and, if faulty or damaged, it must be replaced.

DIAGNOSIS AND TESTING

REAR A / C TEMPERATURE CONTROL

Before testing the rear A/C temperature control, verify that the front A/C system is operating correctly by performing the ATC Function Test using the DRBIII® scan tool. Use a volt/ohmmeter to test the control. For circuit descriptions and diagrams, refer to the appropriate wiring information. The wiring information includes wiring diagrams, proper wire and connector repair procedures, details of wire harness routing and retention, connector pin-out information and location views for the various wire harness connectors, splices and grounds.

WARNING: To avoid personal injury or death, on vehicles equipped with airbags, disable the supplemental restraint system before attempting any steering wheel, steering column, airbag, seat belt tensioner, impact sensor, or instrument panel component diagnosis or service. Disconnect and isolate the battery negative (ground) cable, then wait two minutes for the system capacitor to discharge before performing further diagnosis or service. This is the only sure way to disable the supplemental restraint system. Failure to take the proper precautions could result in accidental airbag deployment.

(1) Disconnect and isolate the battery negative cable.

(2) Unplug the wire harness connector from the rear A/C temperature control.

(3) Check for continuity between terminal 9 and terminals 3 and 5 of the A/C temperature control. In all instances, there should be continuity.

NOTE: To check the switch's internal circuits, connect the positive lead of the ohmmeter to terminal 9 and the negative lead to terminals 3 and 5. To check the switches integral light emitting diode, reverse the ohmmeter leads.

(4) Check for resistance between terminal 3 and 5 of the A/C temperature control as you move the control to each temperature position. Resistance should be present and should change for each position.

(5) If OK, test and repair the rear A/C temperature control wire harness circuits. If not OK, replace the faulty rear A/C temperature control.

REMOVAL

WARNING: To avoid personal injury or death, on vehicles equipped with airbags, disable the supplemental restraint system before attempting any steering wheel, steering column, airbag, seat belt tensioner, impact sensor, or instrument panel component diagnosis or service. Disconnect and isolate the battery negative (ground) cable, then wait two minutes for the system capacitor to discharge before performing further diagnosis or service. This is the only sure way to disable the supplemental restraint system. Failure to take the proper precautions could result in accidental airbag deployment.

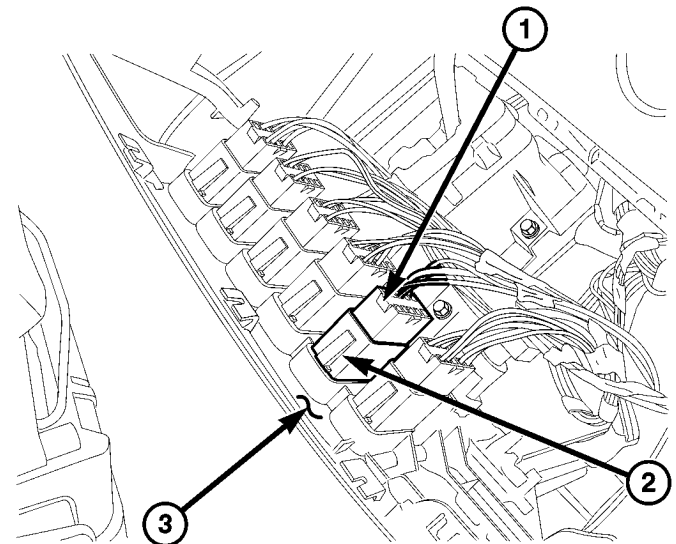
NOTE: The rear A/C temperature control is used only on models with the optional rear A/C unit.

(1) Disconnect and isolate the negative battery cable.

(2) Remove the accessory switch panel from the instrument panel (Refer to 23 - BODY/INSTRUMENT PANEL/ACCESSORY SWITCH BEZEL - REMOVAL).

(3) Disconnect the wire harness connector from the rear A/C temperature control (Fig. 18).

(4) Disengage the retaining tabs and remove the rear A/C temperature control from the accessory switch panel.



81614556

Fig. 18 Rear A/C Temperature Control

- 1 - WIRE HARNESS CONNECTOR
- 2 - REAR A/C TEMPERATURE CONTROL
- 3 - ACCESSORY SWITCH PANEL

INSTALLATION

- (1) Install the rear A/C temperature control into the accessory switch panel. Make sure the retaining tabs are fully engaged.
- (2) Connect the wire harness connector to the rear A/C temperature control.
- (3) Install the accessory switch panel (Refer to 23 - BODY/INSTRUMENT PANEL/ACCESSORY SWITCH BEZEL - INSTALLATION).
- (4) Reconnect the negative battery cable.

TEMPERATURE SENSOR

DESCRIPTION

The rear temperature sensor (Fig. 19) provides an air outlet temperature signal to the rear A/C control module through a two-wire harness lead and connector.

The rear temperature sensor is located in the rear A/C evaporator housing.

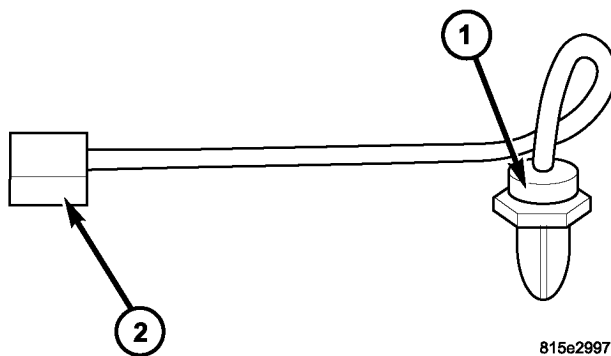


Fig. 19 Rear Temperature Sensor

- 1 - REAR TEMPERATURE SENSOR
2 - WIRE HARNESS CONNECTOR

OPERATION

The rear A/C temperature sensor is a variable resistor that operates on a five-volt reference signal sent to it by the rear A/C control module. The resistance in the sensor changes as air temperature changes. Based upon the resistance in the sensor, a specific voltage on the temperature sensor signal circuit is returned to the rear A/C control module, which is programmed to correspond to a specific temperature.

The rear A/C temperature sensor cannot be adjusted or repaired and, if faulty or damaged, it must be replaced.

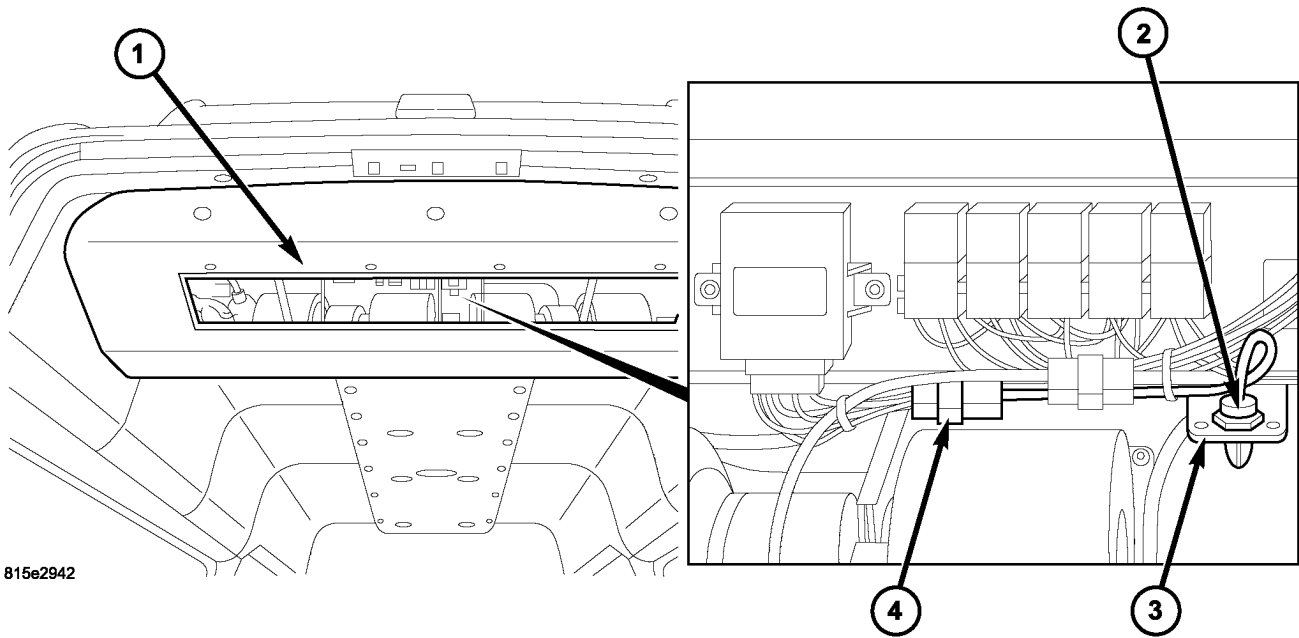
DIAGNOSIS AND TESTING

REAR TEMPERATURE SENSOR

- (1) Disconnect and isolate the negative battery cable.
- (2) Disconnect the wire harness connector from the rear temperature sensor.
- (3) Measure the resistance of the rear temperature sensor. At -40°C (-40°F), the sensor resistance should be approximately 336 kilohms. At 55°C (131°F), the sensor resistance should be approximately 25 kilohms. The rear sensor resistance should read between these two values.
- (4) If OK, test and repair the rear temperature sensor wire harness circuits. Refer to the appropriate wiring information for rear temperature sensor circuit descriptions and for complete HVAC wiring diagrams. If not OK, replace the faulty temperature sensor (Refer to 24 - HEATING & AIR CONDITIONING/CONTROLS - REAR/TEMPERATURE SENSOR - REMOVAL).

REMOVAL

- (1) Disconnect and isolate the negative battery cable.
- (2) Remove the air filter from the rear A/C evaporator housing (Refer to 24 - HEATING & AIR CONDITIONING/DISTRIBUTION - REAR/AIR FILTER - REMOVAL).
- (3) Reach up into the rear A/C evaporator housing and disconnect the wire harness connector from the rear temperature sensor (Fig. 20).
- (4) Carefully remove the rear temperature sensor from the bracket.



815e2942

Fig. 20 Rear Temperature Sensor

- 1 - REAR A/C EVAPORATOR HOUSING
- 2 - TEMPERATURE SENSOR
- 3 - BRACKET
- 4 - WIRE HARNESS CONNECTOR

INSTALLATION

- (1) Carefully install the rear temperature sensor onto the bracket located in the rear A/C evaporator housing.
- (2) Connect the temperature sensor wire harness connector.
- (3) Connect the wire harness connector to the rear temperature sensor.
- (4) Install the rear air filter (Refer to 24 - HEATING & AIR CONDITIONING/DISTRIBUTION - REAR/AIR FILTER - INSTALLATION).
- (5) Reconnect the negative battery cable.

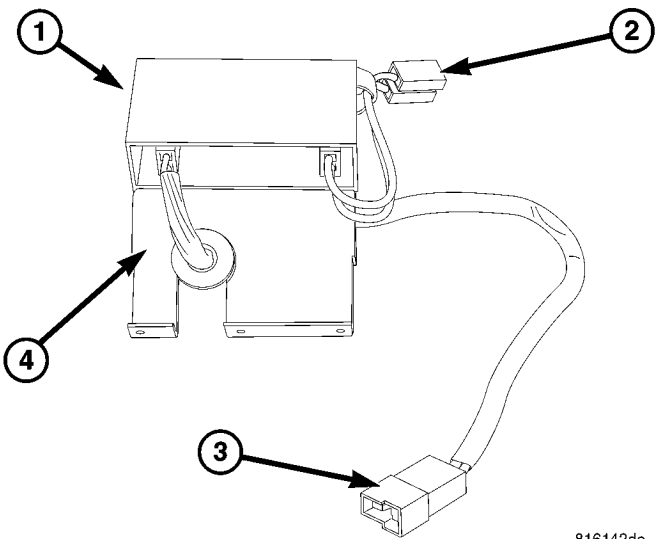
SUPPRESSOR FILTER - REAR BLOWER MOTOR

DESCRIPTION

The two interference suppression filters (Fig. 21) for the two rear blower motors protects the rear A/C control circuits and the vehicles electrical system from voltage spikes which may be generated by the two blower motors or the three rear blower motor relays. The suppression filters also impede the propagation of RF interference into the vehicles electrical system by the rear blower motors to ensure interference-free radio reception.

The rear blower motor suppression filters are located near the rear blower motors in the rear A/C

evaporator housing.



816142dc

Fig. 21 Rear Blower Motor Suppression Filter

- 1 - REAR BLOWER MOTOR SUPPRESSION FILTER (2)
- 2 - WIRE CONNECTOR (TO BLOWER MOTOR)
- 3 - WIRE CONNECTOR (TO REAR A/C HARNESS)
- 4 - MOUNTING BRACKET

OPERATION

The rear blower motor suppression filters provide protection against transient interference signals or similar interference to the electronic rear blower motor circuits which can effect the performance of

the rear A/C control module circuits and radio reception quality. The suppression filters for the rear blower motors consist of capacitors and inductance coils.

The rear blower motor suppression filters cannot be repaired and, if faulty or damaged, they must be replaced. Refer to the appropriate wiring information for complete HVAC wiring diagrams.

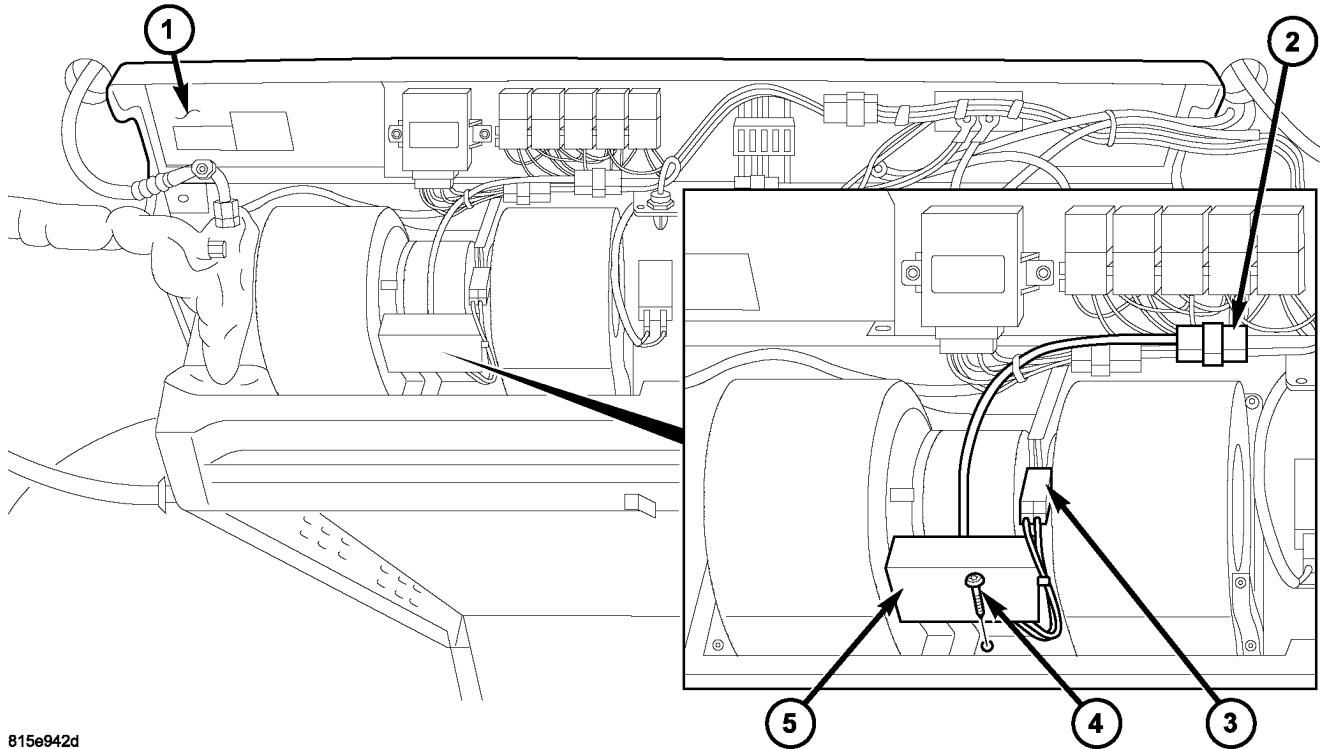
REMOVAL

(1) Disconnect and isolate the negative battery cable.

(2) Remove the cover from the rear A/C evaporator housing (Refer to 24 - HEATING & AIR CONDITIONING/DISTRIBUTION - REAR/A/C EVAPORATOR COVER-REAR - REMOVAL).

(3) Disconnect the two wire harness connectors from the rear blower motor suppression filter being serviced (Fig. 22).

(4) Remove the screw that secures the each rear blower motor suppression filter to the rear A/C evaporator housing and remove the suppression filters as required.



815e942d

Fig. 22 Rear Blower Motor Suppression Filter – LH shown, RH similar

- 1 - REAR A/C EVAPORATOR HOUSING
- 2 - SUPPRESSION FILTER WIRE CONNECTOR
- 3 - BLOWER MOTOR WIRE CONNECTOR

- 4 - SCREW
- 5 - REAR BLOWER MOTOR SUPPRESSION FILTER (2)

INSTALLATION

(1) Position the rear blower motor suppression filter being serviced to the rear A/C evaporator housing.

(2) Install the screw that secures each rear blower motor suppression filter to the rear A/C evaporator housing. Tighten the screw(s) to 2 N·m (17 in. lbs.).

(3) Connect the two suppression filter wire harness connectors.

(4) Install the cover onto the rear A/C evaporator housing (Refer to 24 - HEATING & AIR CONDITIONING/DISTRIBUTION - REAR/A/C EVAPORATOR COVER-REAR - INSTALLATION).

(5) Reconnect the negative battery cable.

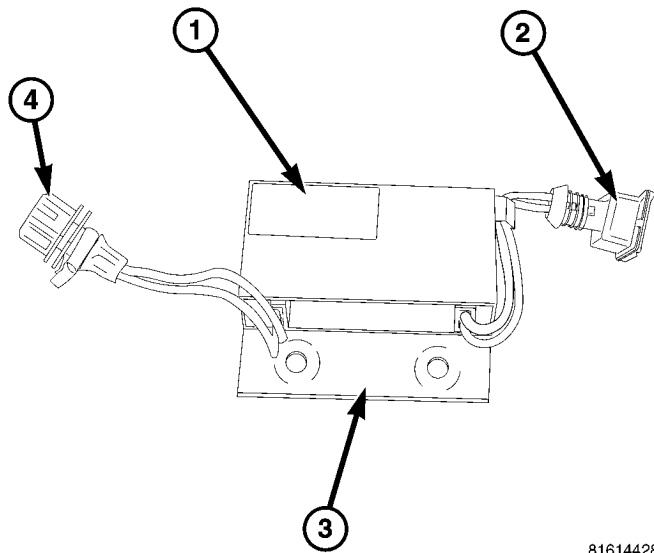
rear condenser fan to ensure interference-free radio reception.

The rear condenser fan suppression filter is located in the rear A/C condenser housing near the rear condenser fan.

SUPPRESSOR FILTER - REAR CONDENSER FAN

DESCRIPTION

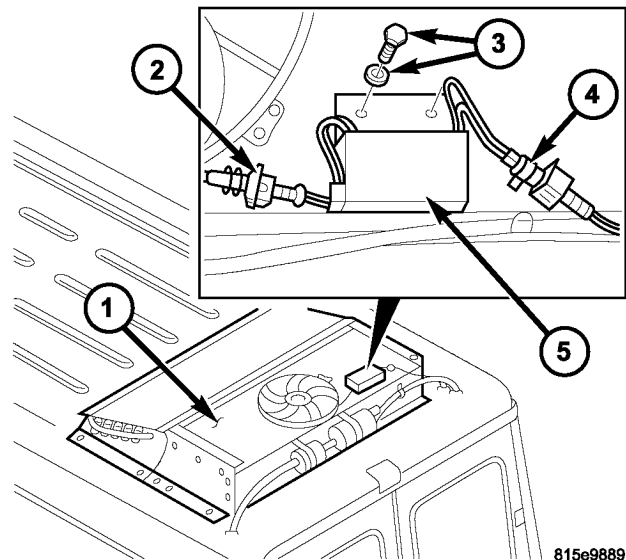
The interference suppression filter (Fig. 23) for the rear A/C condenser fan protects the rear A/C control circuits and the vehicles electrical system from voltage spikes which may be generated by the rear condenser fan motor or the rear condenser fan relay. The suppression filter also impedes the propagation of RF interference into the vehicles electrical system by the



81614428

Fig. 23 Rear Condenser Fan Suppression Filter

- 1 - REAR CONDENSER FAN SUPPRESSION FILTER
- 2 - WIRE CONNECTOR (TO CONDENSER FAN)
- 3 - MOUNTING BRACKET
- 4 - WIRE CONNECTOR (TO REAR A/C HARNESS)



815e9889

Fig. 24 Rear Condenser Fan Suppression Filter

- 1 - REAR A/C CONDENSER HOUSING
- 2 - CONDENSER FAN WIRE CONNECTOR
- 3 - BOLT, WASHER AND NUT (2)
- 4 - SUPPRESSION FILTER WIRE CONNECTOR
- 5 - REAR CONDENSER FAN SUPPRESSION FILTER

OPERATION

The rear condenser fan suppression filter provides protection against transient interference signals or similar interference to the electronic rear condenser fan circuits which can effect the performance of the rear A/C control module circuits and radio reception quality. The suppression filter for the rear condenser fan consist of capacitors and inductance coils.

The rear condenser fan suppression filter cannot be repaired and, if faulty or damaged, it must be replaced. Refer to the appropriate wiring information for complete HVAC wiring diagrams.

REMOVAL

- (1) Disconnect and isolate the negative battery cable.
- (2) Remove the cover from the rear A/C condenser housing (Refer to 24 - HEATING & AIR CONDITIONING/DISTRIBUTION - REAR/A/C CONDENSER COVER-REAR - REMOVAL).
- (3) Disconnect the two wire harness connectors from the rear condenser fan suppression filter (Fig. 24).
- (4) Remove the rear condenser fan (Refer to 24 - HEATING & AIR CONDITIONING/PLUMBING/REAR A/C CONDENSER FAN - REMOVAL).
- (5) Remove the two bolts, washers and nuts that secure the rear condenser fan suppression filter to the rear A/C condenser housing and remove the suppression filter.

INSTALLATION

- (1) Position the rear condenser fan suppression filter to the rear A/C condenser housing.
- (2) Install the two bolts, washers and nuts that secure the rear condenser fan suppression filter to the rear A/C condenser housing. Tighten the bolts to 5 N·m (44 in. lbs.).
- (3) Install the rear condenser fan (Refer to 24 - HEATING & AIR CONDITIONING/PLUMBING/REAR A/C CONDENSER FAN - INSTALLATION).
- (4) Connect the wiring harness connectors to the rear condenser fan suppression filter and the rear condenser fan.
- (5) Install the cover onto the rear A/C condenser housing (Refer to 24 - HEATING & AIR CONDITIONING/DISTRIBUTION - REAR/A/C CONDENSER COVER - INSTALLATION).
- (6) Reconnect the negative battery cable.

DISTRIBUTION - FRONT

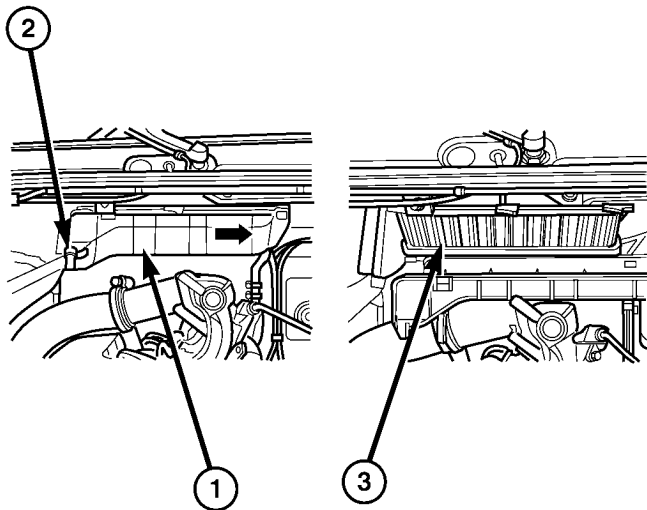
TABLE OF CONTENTS

	page		page
AIR FILTER		FLOOR DISTRIBUTION DUCTS	
REMOVAL	45	REMOVAL	47
INSTALLATION	45	INSTALLATION	48
AIR OUTLETS		HVAC HOUSING	
REMOVAL	45	REMOVAL	48
INSTALLATION	46	DISASSEMBLY	49
BLOWER MOTOR		ASSEMBLY	50
REMOVAL	47	INSTALLATION	50
INSTALLATION	47	INSTRUMENT PANEL DUCTS	
DEFROSTER DUCTS		REMOVAL	51
REMOVAL	47	INSTALLATION	51
INSTALLATION	47		

AIR FILTER

REMOVAL

- (1) Remove the insulation blanket from the ventilation housing in the engine compartment (Fig. 1).
- (2) Open the locking clips at the front and rear of the ventilation housing.
- (3) Slide the ventilation housing cover in the direction of the arrow shown.
- (4) Remove the air filter.



8112aafc

Fig. 1 Air Filter Element

- 1 - VENTILATION HOUSING INSULATION BLANKET
- 2 - LOCKING CLIP (2)
- 3 - AIR FILTER

INSTALLATION

- (1) Install the air filter into the ventilation housing.

- (2) Install the ventilation housing cover
- (3) Close the locking clips at the front and rear of the ventilation housing.

NOTE: The locking tabs should retain the ventilation housing cover securely.

- (4) Install the insulation blanket onto the ventilation housing.

AIR OUTLETS

REMOVAL

WARNING: To avoid personal injury or death, on vehicles equipped with airbags, disable the supplemental restraint system before attempting any steering wheel, steering column, airbag, seat belt tensioner, impact sensor, or instrument panel component diagnosis or service. Disconnect and isolate the battery negative (ground) cable, then wait two minutes for the system capacitor to discharge before performing further diagnosis or service. This is the only sure way to disable the supplemental restraint system. Failure to take the proper precautions could result in accidental airbag deployment.

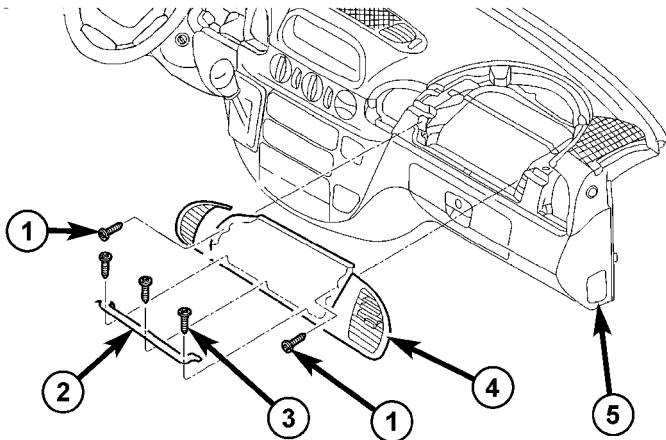
- (1) Disconnect and isolate the battery negative cable.

(2) If servicing the driver side air outlets, remove the instrument cluster bezel (Refer to 23 - BODY/INSTRUMENT PANEL/CLUSTER BEZEL - REMOVAL).

(3) If servicing the passenger side air outlets, remove the passenger side airbag (Refer to 8 - ELECTRICAL/RESTRAINTS/PASSENGER AIRBAG - REMOVAL).

(4) If servicing the passenger side air outlets, remove the passenger side air nozzle reinforcing plate screws and the reinforcing plate (Fig. 2).

(5) If servicing the passenger side air outlets, remove the passenger side air nozzle assembly using a trim stick or other suitable wide flat blade tool, until the snap features on the nozzle assembly are released.



81119381

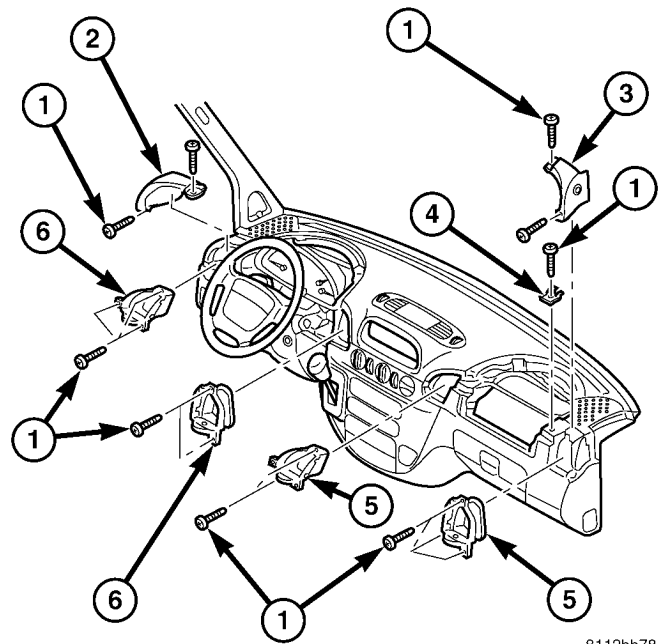
Fig. 2 Passenger Side Air Nozzle Cover

- 1 - FRONT SCREWS (2)
- 2 - BRACKET
- 3 - BRACKET SCREWS
- 4 - NOZZLE COVER
- 5 - INSTRUMENT PANEL

(6) If servicing the passenger side air outlets, remove the air outlet retaining bracket from the right side of the instrument panel (Fig. 3).

(7) Remove the instrument panel end cover screws and the left and/or right side cover.

(8) Remove the air outlet retaining screws and the air outlets as required.



8112bb78

Fig. 3 Instrument Panel Air Outlets

- 1 - SCREW (15)
- 2 - LH END COVER
- 3 - RH END COVER
- 4 - BRACKET
- 5 - PASSENGER SIDE AIR OUTLET (2)
- 6 - DRIVER SIDE AIR OUTLET (2)

INSTALLATION

(1) Install the air outlets and retaining screws as required. Tighten the screws to 2 N·m (17 in. lbs.).

(2) Install the left and/or right side instrument panel end cover and retaining screws as required. Tighten the screws to 2 N·m (17 in. lbs.).

(3) If servicing the passenger side air outlets, install the air outlet retaining bracket to the right side of the instrument panel. Tighten the screw to 2 N·m (17 in. lbs.).

(4) If servicing the passenger side air outlets, install the passenger side air nozzle assembly by pressing the nozzle assembly firmly and evenly into the instrument panel, until the snap features are fully engaged.

(5) If servicing the passenger side air outlets, install the passenger side air nozzle reinforcing plate and retaining screws. Tighten the screws to 2 N·m (17 in. lbs.).

(6) If servicing the passenger side air outlets, install the passenger side airbag (Refer to 8 - ELECTRICAL/RESTRAINTS/PASSENGER AIRBAG - INSTALLATION).

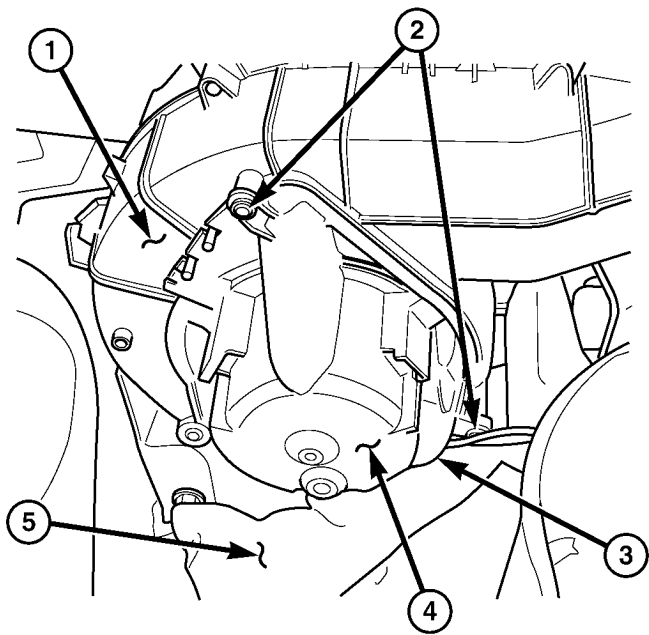
(7) If servicing the driver side air outlets, install the instrument cluster bezel (Refer to 23 - BODY/INSTRUMENT PANEL/CLUSTER BEZEL - INSTALLATION).

(8) Reconnect the battery negative cable.

BLOWER MOTOR

REMOVAL

- (1) Disconnect and isolate the negative battery cable.
- (2) Remove the engine air cleaner housing cover (Refer to 9 - ENGINE/AIR INTAKE SYSTEM/AIR CLEANER ELEMENT - REMOVAL).
- (3) Position the ventilation housing insulation blanket out of the way of the blower motor assembly.
- (4) Disconnect the wire harness connector from the blower motor (Fig. 4).
- (5) Remove the three blower motor retaining screws.
- (6) Remove the blower motor assembly from the ventilation housing.



8112c31c

Fig. 4 Blower Motor Assembly

- 1 - VENTILATION HOUSING
- 2 - SCREWS (3)
- 3 - WIRE HARNESS CONNECTOR
- 4 - BLOWER MOTOR
- 5 - INSULATION BLANKET

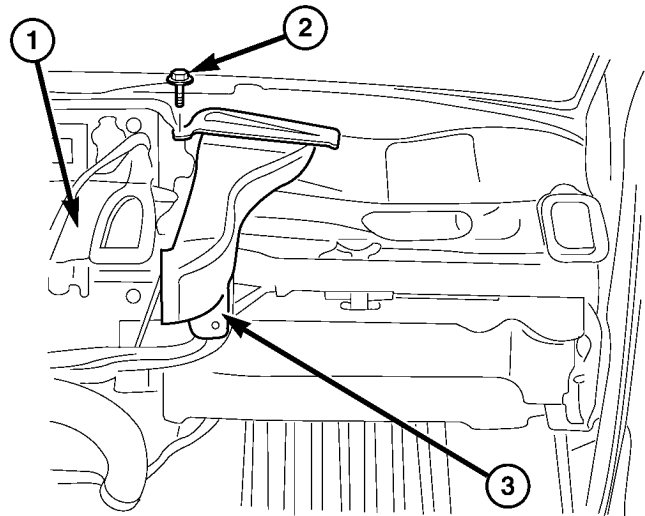
INSTALLATION

- (1) Install the blower motor assembly into the ventilation housing.
- (2) Install the three blower motor retaining screws. Tighten the screws to 2 N-m (17 in. lbs.).
- (3) Connect the wire harness connector to the blower motor.
- (4) Install the ventilation housing insulation blanket.
- (5) Install the engine air cleaner cover (Refer to 9 - ENGINE/AIR INTAKE SYSTEM/AIR CLEANER HOUSING - INSTALLATION).
- (6) Reconnect the negative battery cable.

DEFROSTER DUCTS

REMOVAL

- (1) Remove the instrument panel (Refer to 23 - BODY/INSTRUMENT PANEL - REMOVAL).
- (2) Remove the screw that secures the left and/or right side defroster duct to the heater housing, depending on the duct being removed (Fig. 5).
- (3) Remove the defroster duct(s) from the housing.



8112cfb6

Fig. 5 Defroster Duct - RH Shown, LH Typical

- 1 - HEATER HOUSING
- 2 - SCREW
- 3 - DEFROSTER DUCT

INSTALLATION

- (1) Install the left and/or right side defroster duct on to the heater housing.
- (2) Install the screw that secures the defroster duct to the housing. Tighten the screw(s) to 2 N-m (17 in. lbs.).
- (3) Install the instrument panel (Refer to 23 - BODY/INSTRUMENT PANEL - INSTALLATION).

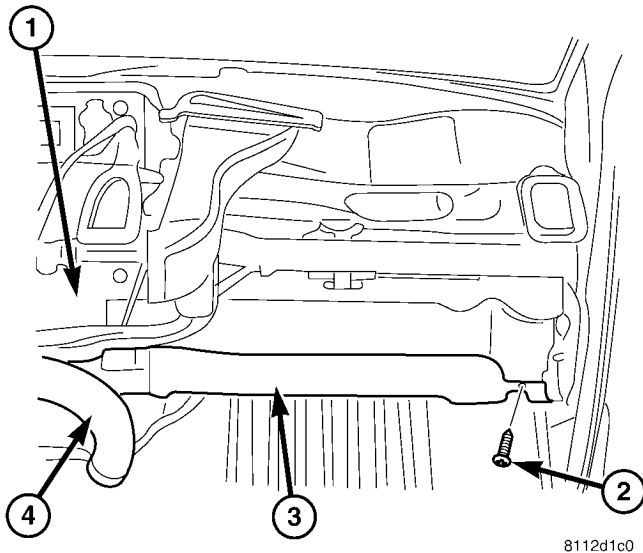
FLOOR DISTRIBUTION DUCTS

REMOVAL

- (1) Remove the instrument panel (Refer to 23 - BODY/INSTRUMENT PANEL/INSTRUMENT PANEL ASSEMBLY - REMOVAL).
- (2) Remove the defroster ducts (Refer to 24 - HEATING & AIR CONDITIONING/DISTRIBUTION/DEFROSTER DUCTS - REMOVAL).
- (3) Remove the screws that secure the left and right floor distribution ducts to the instrument panel support (Fig. 6).
- (4) Remove floor distribution ducts from the center floor distribution duct.

(5) Remove the shift mechanism (Refer to 21 - TRANSMISSION/TRANSAXLE/AUTOMATIC - NAG1/SHIFT MECHANISM - REMOVAL).

(6) Remove center floor distribution duct from the heater housing.



8112d1c0

Fig. 6 Floor Distribution Duct, RH Shown, LH Typical

- 1 - HEATER HOUSING
- 2 - SCREW (1)
- 3 - RH FLOOR DUCT
- 4 - CENTER FLOOR DUCT

INSTALLATION

(1) Install the center floor distribution duct onto the heater housing.

(2) Install the shift mechanism (Refer to 21 - TRANSMISSION/TRANSAXLE/AUTOMATIC - NAG1/SHIFT MECHANISM - INSTALLATION).

(3) Install the left and right floor distribution ducts onto the center floor distribution duct.

(4) Install the left and right floor distribution duct retaining screws to the instrument panel support. Tighten the screws to 2 N·m (17 in. lbs.).

(5) Install the defroster ducts (Refer to 24 - HEATING & AIR CONDITIONING/DISTRIBUTION/DEFROSTER DUCTS - INSTALLATION).

(6) Install the instrument panel (Refer to 23 - BODY/INSTRUMENT PANEL/INSTRUMENT PANEL ASSEMBLY - INSTALLATION).

HVAC HOUSING

REMOVAL

WARNING: To avoid personal injury or death, on vehicles equipped with airbags, disable the supplemental restraint system before attempting any steering wheel, steering column, airbag, seat belt tensioner, impact sensor, or instrument panel com-

ponent diagnosis or service. Disconnect and isolate the battery negative (ground) cable, then wait two minutes for the system capacitor to discharge before performing further diagnosis or service. This is the only sure way to disable the supplemental restraint system. Failure to take the proper precautions could result in accidental airbag deployment.

WARNING: Refer to the applicable warnings and cautions for this system before performing the following operation (Refer to 24 - HEATING & AIR CONDITIONING/PLUMBING - WARNINGS) and (Refer to 24 - HEATING & AIR CONDITIONING/PLUMBING - CAUTIONS). Failure to follow the warnings and cautions could result in possible personal injury or death.

NOTE: The HVAC housing must be removed from the vehicle and the two halves of the housing separated for service access of the heater core, A/C evaporator and each of the various mode doors.

(1) Recover the refrigerant from the refrigerant system. (Refer to 24 - HEATING & AIR CONDITIONING/PLUMBING - STANDARD PROCEDURE - REFRIGERANT SYSTEM RECOVERY)

(2) Partially drain the engine cooling system (Refer to 7 - COOLING/ENGINE/COOLANT - STANDARD PROCEDURE - DRAINING COOLING SYSTEM).

(3) Disconnect and isolate the negative battery cable.

(4) Remove the air cleaner housing (Refer to 9 - ENGINE/AIR INTAKE SYSTEM/AIR CLEANER HOUSING - REMOVAL).

(5) Remove the windshield washer reservoir (Refer to 8 - ELECTRICAL/WIPERS/WASHERS/WASHER RESERVOIR - REMOVAL).

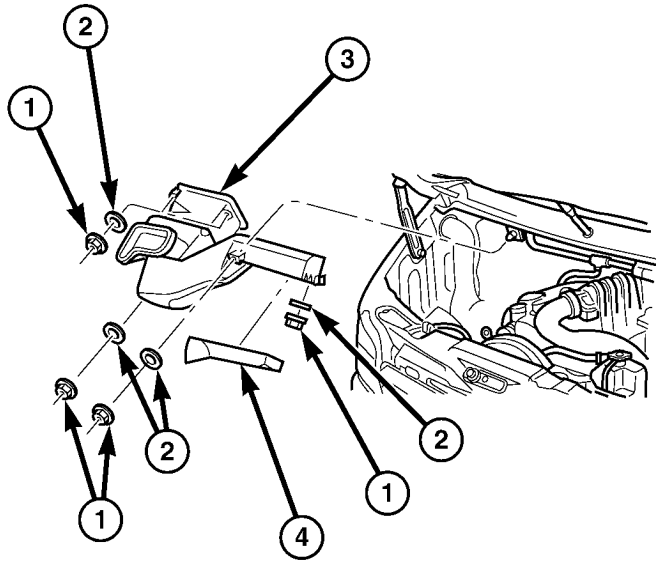
(6) Remove the air filter from the ventilation housing (Refer to 24 - HEATING & AIR CONDITIONING/DISTRIBUTION/AIR FILTER - REMOVAL).

(7) Disconnect the wire harness and vacuum connectors from the recirculation door actuator (Refer to 24 - HEATING & AIR CONDITIONING/CONTROLS/RECIRCULATION DOOR ACTUATOR - REMOVAL).

(8) Disconnect the wire harness connector from the blower motor resistor block (Refer to 24 - HEATING & AIR CONDITIONING/CONTROLS/BLOWER MOTOR RESISTOR BLOCK - REMOVAL).

(9) Disconnect the wire harness connector from the blower motor (Refer to 24 - HEATING & AIR CONDITIONING/DISTRIBUTION/BLOWER MOTOR - REMOVAL).

(10) Remove the nuts and washers that secure the ventilation housing to the body and remove the ventilation housing from the vehicle (Fig. 7).



8112da5a

Fig. 7 Ventilation Housing

- 1 - NUT (5)
- 2 - WASHER (5)
- 3 - VENTILATION HOUSING
- 4 - HOUSING COVER

(11) Disconnect the heater hoses from the heater core.

(12) Disconnect the heater hoses from the heater core tubes. Install plugs in, or tape over the opened heater core tubes.

(13) Remove the two bolts securing the refrigerant lines to the evaporator tubes and disconnect the lines from the tubes. Install plugs in, or tape over all of the opened refrigerant line fittings.

(14) Remove the seals from the refrigerant line fittings and discard.

(15) Install plugs in, or tape over the opened refrigerant line fittings and evaporator tubes.

(16) Remove the instrument panel from the vehicle (Refer to 23 - BODY/INSTRUMENT PANEL - REMOVAL).

(17) Remove the defroster, floor distribution and instrument panel ducts (Refer to 24 - HEATING & AIR CONDITIONING/DISTRIBUTION/DEFROSTER DUCTS - REMOVAL), (Refer to 24 - HEATING & AIR CONDITIONING/DISTRIBUTION/FLOOR DISTRIBUTION DUCTS - REMOVAL) and (Refer to 24 - HEATING & AIR CONDITIONING/DISTRIBUTION/INSTRUMENT PANEL DUCTS - REMOVAL).

(18) Disconnect the two bulkhead ground connections near instrument cluster area.

(19) Remove the passenger airbag bracket (Refer to 8 - ELECTRICAL/RESTRAINTS/PASSENGER AIRBAG - REMOVAL).

(20) Disconnect the wire harness connector from the evaporator temperature sensor and air outlet temperature sensor (Fig. 8).

(21) Remove the wire harness from the bracket located on the right side of the heater housing and position the wire harness out of the way.

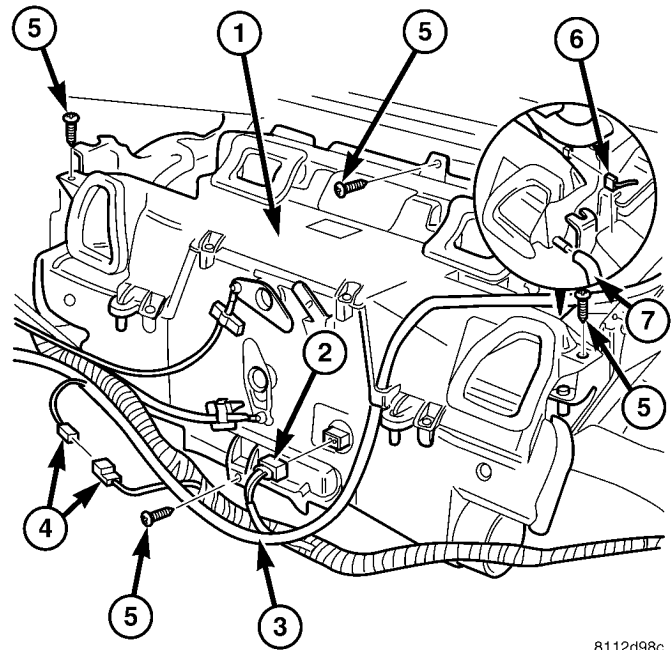
(22) Disconnect the A/C-heater control cables from the mode door levers (Refer to 24 - HEATING & AIR CONDITIONING/CONTROLS/MODE DOOR CABLE - REMOVAL).

(23) Disconnect the evaporator drain tube from the HVAC housing.

(24) Remove the five bolts securing the HVAC housing to the body.

NOTE: Make sure that the interior is protected in case of loss of residual fluids from the heater core and the A/C evaporator.

(25) Remove the HVAC housing from the vehicle.



8112d98c

Fig. 8 Heater Housing

- 1 - HEATER HOUSING
- 2 - AIR TEMP SENSOR WIRE CONNECTOR
- 3 - WIRE HARNESS
- 4 - WIRE HARNESS CONNECTOR
- 5 - BOLT (4)
- 6 - EVAP TEMP SENSOR WIRE CONNECTOR
- 7 - EVAPORATOR DRAIN TUBE

DISASSEMBLY

(1) Remove the HVAC housing from the vehicle (Refer to 24 - HEATING & AIR CONDITIONING/DISTRIBUTION/HVAC HOUSING - REMOVAL).

(2) Place the HVAC housing in the upright position on a work bench, making allowance for leakage of fluids.

(3) Remove the gasket located at the A/C evaporator and heater core tubes and the gasket that seals the ventilation housing to the HVAC housing (Fig. 9).

(4) Remove the 12 screws that secure the two housing halves together.

(5) Separate the two housing halves.

(6) Remove the heater core from the lower housing.

(7) Remove the wire harness.

(8) Remove the three heater core tube retaining bolts and the heater core tube assembly from the heater core.

(9) Remove the heater core tube seals and discard.

(10) Install plug in, or tape over the opened heater core fittings.

(11) Remove the A/C evaporator from the lower housing.

(3) Lubricate two new rubber O-ring seals with clean engine coolant and install them onto the heater core fitting.

(4) Connect the heater core tube assembly to the heater core and install the three retaining bolts. Tighten the bolts to 5 N·m (45 in. lbs.).

(5) Install the wire harness.

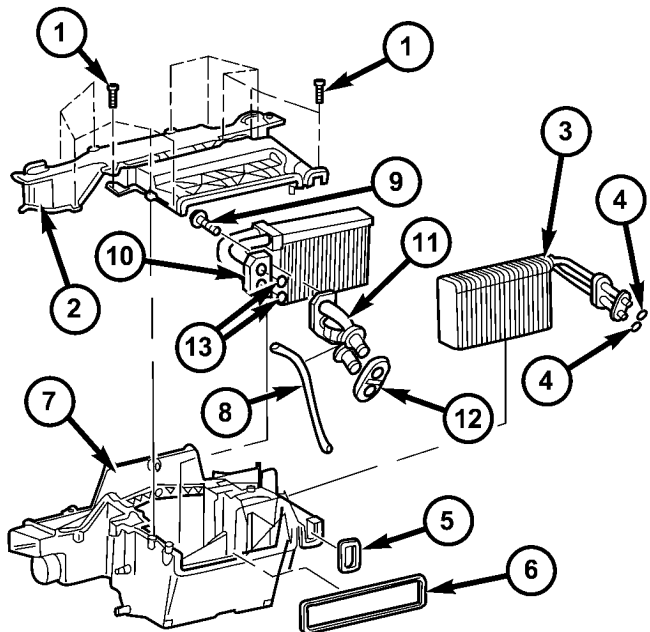
(6) Install the heater core into the lower housing.

(7) Install the two housing halves together.

(8) Install the 12 screws that secure the two housing halves together. Tighten the screws to 2 N·m (17 in. lbs.).

(9) Install the gasket for the A/C evaporator and heater core tube outlets and the gasket that seals the ventilation housing to the HVAC housing.

(10) Install the HVAC housing (Refer to 24 - HEATING & AIR CONDITIONING/DISTRIBUTION/HVAC HOUSING - INSTALLATION).



811303a1

Fig. 9 HVAC Housing

- 1 - SCREW (12)
- 2 - UPPER HOUSING
- 3 - A/C EVAPORATOR
- 4 - EVAPORATOR O-RING SEAL (2)
- 5 - EVAPORATOR GASKET
- 6 - VENTILATION HOUSING GASKET
- 7 - LOWER HOUSING
- 8 - WIRING HARNESS
- 9 - BOLT (3)
- 10 - HEATER CORE
- 11 - HEATER CORE TUBE ASSEMBLY
- 12 - HEATER CORE TUBE GASKET
- 13 - HEATER CORE TUBE O-RING SEAL (2)

ASSEMBLY

(1) Install the A/C evaporator into the lower housing.

(2) Remove the tape or plugs from the heater core fittings.

INSTALLATION

NOTE: High pressures are produced in the refrigerant system when the A/C compressor is operating. Extreme care must be exercised to make sure that each of the refrigerant system connections is pressure-tight and leak free.

(1) Position the HVAC housing to the dash panel. Be certain that the evaporator condensate drain tube is positioned correctly.

(2) Install the screws that secure the HVAC housing to the dash panel. Tighten the screws to 4.5 N·m (40 in. lbs.).

(3) Connect the HVAC housing wire harness connectors and install the wiring harness to the bracket.

(4) Connect the A/C-heater control cables to the mode door levers (Refer to 24 - HEATING & AIR CONDITIONING/CONTROLS/MODE DOOR CABLE - INSTALLATION).

(5) Reinstall the passenger airbag bracket (Refer to 8 - ELECTRICAL/RESTRAINTS/PASSENGER AIRBAG - INSTALLATION).

(6) Reconnect the two bulkhead ground connection near the instrument cluster area.

(7) Reinstall the defroster, floor distribution and instrument panel ducts.

(8) Reinstall the instrument panel (Refer to 23 - BODY/INSTRUMENT PANEL/INSTRUMENT PANEL ASSEMBLY - INSTALLATION).

(9) Unplug or remove the tape from the opened refrigerant line fittings.

(10) Lubricate two new rubber O-ring seals with clean refrigerant oil and install them onto the evaporator core fittings.

(11) Connect the refrigerant line terminal block to the evaporator tubes.

(12) Install the two bolts that secure the refrigerant line terminal block to the A/C evaporator. Tighten the bolts to 5 N·m (45 in. lbs.).

(13) Unplug or remove the tape from the heater core hoses and tubes.

(14) Connect the heater hoses to the heater core tubes and install the heater hose clamps.

(15) Install the ventilation housing to the dash panel.

(16) Install the nuts and washers that secure the ventilation housing to the dash panel. Tighten the nuts to 5 N·m (45 in. lbs.).

(17) Connect the wire harness connectors to the blower motor, blower motor resistor block and the recirculation door actuator.

(18) Connect the vacuum harness connector to the recirculation door actuator.

(19) Install the air filter into the ventilation housing (Refer to 24 - HEATING & AIR CONDITIONING/DISTRIBUTION/AIR FILTER - INSTALLATION).

(20) Install the windshield washer reservoir (Refer to 8 - ELECTRICAL/WIPERS/WASHERS/WASHER RESERVOIR - INSTALLATION).

(21) Install the air cleaner housing (Refer to 9 - ENGINE/AIR INTAKE SYSTEM/AIR CLEANER HOUSING - INSTALLATION).

(22) Reconnect the negative battery cable.

(23) If the heater core is being replaced, flush the cooling system (Refer to 7 - COOLING - STANDARD PROCEDURE - COOLING SYSTEM CLEANING/REVERSE FLUSHING).

(24) Refill the engine cooling system (Refer to 7 - COOLING/ENGINE/COOLANT - STANDARD PROCEDURE - COOLANT SYSTEM FILL).

(25) Evacuate the refrigerant system (Refer to 24 - HEATING & AIR CONDITIONING/PLUMBING - STANDARD PROCEDURE - REFRIGERANT SYSTEM EVACUATE).

(26) Charge the refrigerant system (Refer to 24 - HEATING & AIR CONDITIONING/PLUMBING - STANDARD PROCEDURE - REFRIGERANT SYSTEM CHARGE).

INSTRUMENT PANEL DUCTS

REMOVAL

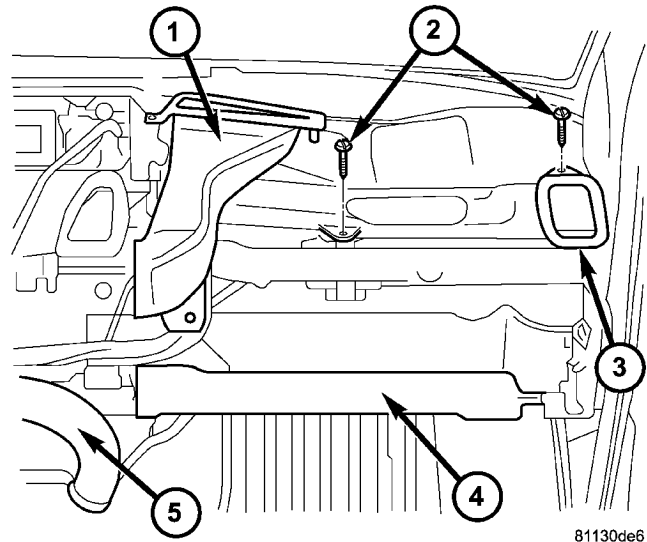
(1) Remove the instrument panel (Refer to 23 - BODY/INSTRUMENT PANEL/INSTRUMENT PANEL ASSEMBLY - REMOVAL).

(2) Remove the defroster ducts (Refer to 24 - HEATING & AIR CONDITIONING/DISTRIBUTION/DEFROSTER DUCTS - REMOVAL).

(3) Remove the floor distribution ducts (Refer to 24 - HEATING & AIR CONDITIONING/DISTRIBUTION/FLOOR DISTRIBUTION DUCTS - REMOVAL).

(4) If removing the right instrument panel duct, remove the passenger air bag module and bracket (Refer to 8 - ELECTRICAL/RESTRAINTS/PASSENGER AIRBAG - REMOVAL).

(5) Remove the screws that secure the left and/or right instrument panel duct and remove the duct(s) as required (Fig. 10).



81130de6

Fig. 10 Instrument Panel Duct - RH Shown, LH Typical

- 1 - RH DEFROSTER DUCT
- 2 - SCREW (2)
- 3 - RH INSTRUMENT PANEL DUCT
- 4 - RH FLOOR DISTRIBUTION DUCT
- 5 - CENTER FLOOR DISTRIBUTION DUCT

INSTALLATION

(1) Connect the instrument panel duct(s) to the heater housing as required.

(2) Install the instrument panel duct retaining screws. Tighten the screws to 2 N·m (17 in. lbs.).

(3) If servicing the right instrument panel duct, install the passenger air bag module and bracket (Refer to 8 - ELECTRICAL/RESTRAINTS/PASSENGER AIRBAG - INSTALLATION).

(4) Install the floor distribution ducts (Refer to 24 - HEATING & AIR CONDITIONING/DISTRIBUTION/FLOOR DISTRIBUTION DUCTS - INSTALLATION).

(5) Install the defroster ducts (Refer to 24 - HEATING & AIR CONDITIONING/DISTRIBUTION/DEFROSTER DUCTS - INSTALLATION).

(6) Install the instrument panel (Refer to 23 - BODY/INSTRUMENT PANEL/INSTRUMENT PANEL ASSEMBLY - INSTALLATION).

DISTRIBUTION - REAR

TABLE OF CONTENTS

	page		page
A/C CONDENSER COVER		A/C EVAPORATOR HOUSING	
REMOVAL	52	REMOVAL	55
INSTALLATION	52	INSTALLATION	57
A/C CONDENSER HOUSING		AIR FILTER	
REMOVAL	52	REMOVAL	58
INSTALLATION	54	INSTALLATION	58
A/C EVAPORATOR COVER		BLOWER MOTOR	
REMOVAL	55	REMOVAL	58
INSTALLATION	55	INSTALLATION	59

A / C CONDENSER COVER

REMOVAL

(1) Unlock the six quick-release fasteners by turning them 90 degrees in either direction (Fig. 1).

(2) Remove the rear A/C condenser cover from the rear A/C condenser housing.

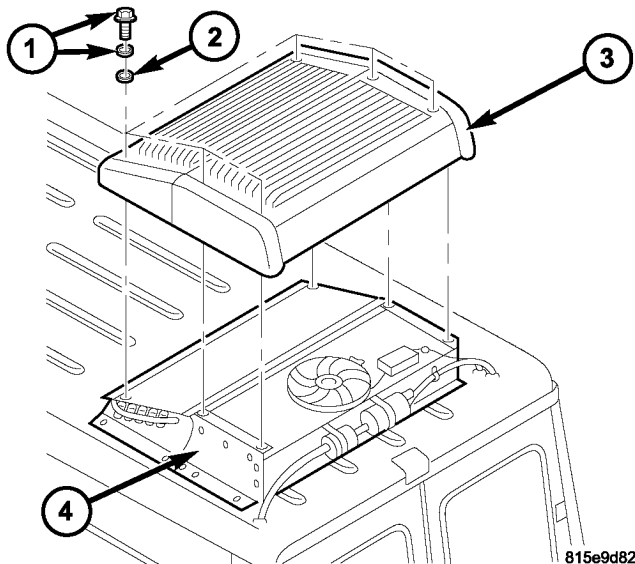


Fig. 1 Rear A/C Condenser Cover

- 1 - QUICK-RELEASE FASTENER AND WASHER (6)
 2 - RUBBER DAMPING WASHER (6)
 3 - REAR CONDENSER COVER
 4 - REAR A/C CONDENSER HOUSING

INSTALLATION

(1) Inspect the six rubber damping washers for correct sealing. Replace the washers as required.

(2) Position the rear A/C condenser cover over the rear A/C condenser housing.

(3) Lock the six quick-release fasteners by turning them 90 degrees in either direction.

A / C CONDENSER HOUSING

REMOVAL

WARNING: Refer to the applicable warnings and cautions for this system before performing the following operation (Refer to 24 - HEATING & AIR CONDITIONING/PLUMBING - WARNINGS) and (Refer to 24 - HEATING & AIR CONDITIONING/PLUMBING - CAUTIONS). Failure to follow the warnings and cautions could result in possible personal injury or death.

(1) Disconnect and isolate the negative battery cable.

(2) Remove the air filter from the rear A/C evaporator housing (Refer to 24 - HEATING & AIR CONDITIONING/DISTRIBUTION - REAR/AIR FILTER - REMOVAL).

(3) Recover the refrigerant from the rear refrigerant system (Refer to 24 - HEATING & AIR CONDITIONING/PLUMBING - STANDARD PROCEDURE - REFRIGERANT RECOVERY).

(4) Remove the cover from the rear A/C condenser housing (Refer to 24 - HEATING & AIR CONDITIONING/DISTRIBUTION - REAR/A/C CONDENSER COVER - REMOVAL).

(5) Disconnect the rear A/C wire harness from the rear blower motor suppression filter and the rear A/C high pressure switch (Fig. 2).

(6) Remove the retaining straps that secure the rear A/C wire harness to the rear liquid line and position the wire harness out of the way.

(7) Remove the screw and bracket that secures the rear discharge line to the right side of the rear condenser housing.

(8) Disconnect the rear discharge line from the rear A/C condenser and remove and discard the O-ring seal.

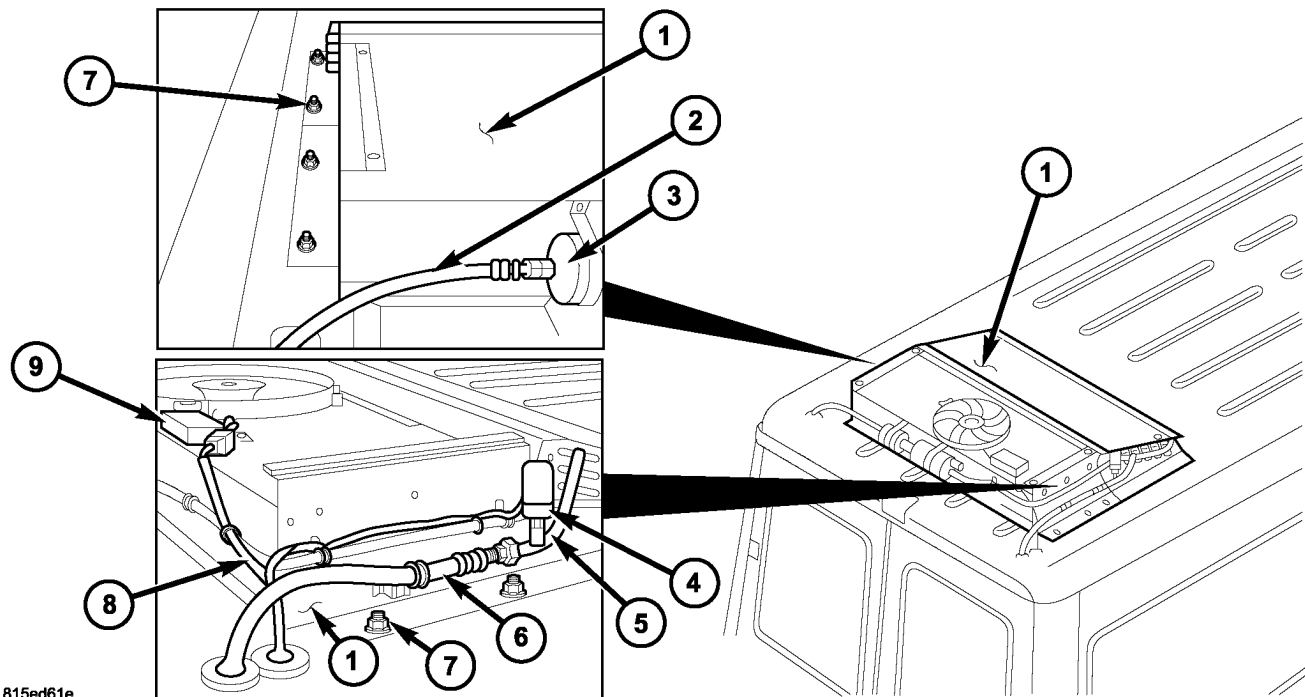
(9) Disconnect the rear liquid line from the rear refrigerant reservoir outlet and remove and discard the O-ring seal.

(10) Install plugs into, or tape over the rear refrigerant line fittings and condenser and reservoir ports.

(11) Remove the eight nuts and washers that secure the rear A/C condenser housing to the roof panel.

(12) Carefully separate the body sealer between the rear A/C condenser housing and the roof panel and with help from an assistant, remove the condenser housing.

(13) Remove any shims and trim the body sealer on top of the roof panel down to a thickness of 2 mm (0.078 in.).



815ed61e

Fig. 2 Rear A/C Condenser Housing

1 - REAR A/C CONDENSER HOUSING
 2 - LIQUID LINE
 3 - REAR REFRIGERANT RESERVOIR
 4 - REAR A/C HIGH PRESSURE SWITCH
 5 - REAR CONDENSER OUTLET TUBE

6 - SUCTION LINE
 7 - NUT AND WASHER (8)
 8 - REAR A/C WIRE HARNESS
 9 - REAR BLOWER MOTOR SUPPRESSION FILTER

INSTALLATION

NOTE: Be certain to add refrigerant oil if the rear A/C condenser is being replaced. The refrigerant oil must be drained from the old condenser and measured to determine the amount of refrigerant oil to add to the new condenser. Use only refrigerant oil of the type recommended for the rear A/C compressor in the vehicle.

(1) If the rear A/C condenser is being replaced, install the correct amount and type of refrigerant oil into the new rear A/C condenser. Drain the old condenser and measure the refrigerant oil. Fill the new condenser with the same amount of new refrigerant oil that was drained out of the old condenser.

(2) Install new body sealant and any removed shims onto the top of the roof panel.

(3) With help from an assistant, position the rear A/C condenser housing onto the top of the roof panel.

(4) Install the eight nuts and washers that secure the rear A/C condenser housing to the roof panel. Tighten the nuts to 25 N·m (18 ft. lbs.).

(5) Remove the tape or plugs from the rear liquid line fitting and rear refrigerant reservoir port.

(6) Lubricate a new O-ring seal with clean refrigerant oil and install it onto the rear liquid line fitting. Use only the specified O-ring seal as it is made

of a special material for the R-134a system. Use only refrigerant oil of the type recommended for the rear A/C compressor in the vehicle.

(7) Connect the rear liquid line to the rear refrigerant reservoir outlet. Tighten the liquid line nut to 35 N·m (26 ft. lbs.).

(8) Remove the tape or plugs from the rear discharge line fitting and rear condenser port.

(9) Lubricate a new O-ring seal with clean refrigerant oil and install it onto the rear discharge line fitting. Use only the specified O-ring seal as it is made of a special material for the R-134a system. Use only refrigerant oil of the type recommended for the rear A/C compressor in the vehicle.

(10) Connect the rear discharge line to the rear A/C condenser. Tighten the discharge line nut to 35 N·m (26 ft. lbs.).

(11) Install the bracket and screw that secures the rear discharge line to the right side of the rear condenser housing. Tighten the screw securely.

(12) Connect the rear A/C wire harness to the rear blower motor suppression filter and to the rear A/C high pressure switch.

(13) Install new retaining straps to secure the rear A/C wire harness to the rear liquid line.

(14) Install a new rear receiver/drier (Refer to 24 - HEATING & AIR CONDITIONING/PLUMBING/REAR RECEIVER/DRIER - INSTALLATION).

- (15) Reconnect the negative battery cable.
- (16) Evacuate the rear refrigerant system (Refer to 24 - HEATING & AIR CONDITIONING/PLUMBING - STANDARD PROCEDURE - REFRIGERANT SYSTEM EVACUATE).
- (17) Charge the rear refrigerant system (Refer to 24 - HEATING & AIR CONDITIONING/PLUMBING - STANDARD PROCEDURE - REFRIGERANT SYSTEM CHARGE).
- (18) Install the rear air filter (Refer to 24 - HEATING & AIR CONDITIONING/DISTRIBUTION - REAR/AIR FILTER - INSTALLATION).
- (19) Install the cover onto the rear A/C condenser housing (Refer to 24 - HEATING & AIR CONDITIONING/DISTRIBUTION - REAR/A/C CONDENSER COVER - INSTALLATION).

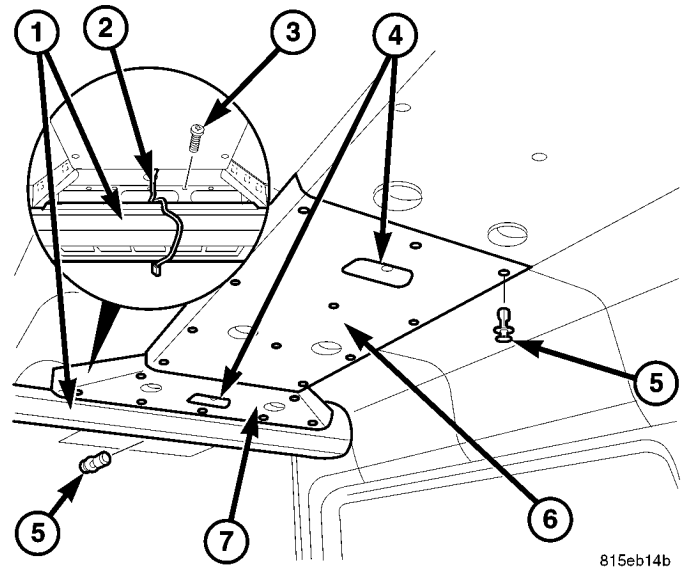


Fig. 3 Rear A/C Evaporator Cover

- 1 - REAR A/C EVAPORATOR COVER
- 2 - DOME LAMP WIRE HARNESS
- 3 - SCREW (6)
- 4 - REAR DOME LAMPS
- 5 - PUSH-PIN FASTENER (22)
- 6 - CENTER ROOF DUCT PANEL
- 7 - REAR ROOF DUCT PANEL

A / C EVAPORATOR COVER

REMOVAL

- (1) Disconnect and isolate the negative battery cable.
- (2) Remove the rear dome lamps from the center and rear roof duct panels (Fig. 3).
- (3) Remove the push-pin fasteners that secure the center and rear roof duct panels to the roof duct and remove the panels.
- (4) Disconnect the dome light wire harness connector and remove the dome light wire harness from the roof duct.
- (5) Remove the six screws that secure the rear A/C evaporator cover to the front of the rear A/C evaporator housing.
- (6) Remove the three push-pin fasteners that secure the rear A/C evaporator cover to the rear of the evaporator housing and remove the cover.

INSTALLATION

- (1) Position the rear A/C evaporator cover to the rear A/C evaporator housing.
- (2) Install the three push-pin fasteners that secure the rear A/C evaporator cover to the rear of the evaporator housing.
- (3) Install the six screws that secure the rear A/C evaporator cover to the front of the evaporator housing. Tighten the screws to 2.2 N·m (21 in. lbs.).
- (4) Install the dome light wire harness to the roof duct and reconnect the harness.
- (5) Position the center and rear roof duct panels to the roof duct and install the push-pin fasteners.
- (6) Install the rear dome lamps into the center and rear roof duct panels.
- (7) Reconnect the negative battery cable.

A / C EVAPORATOR HOUSING

REMOVAL

WARNING: Refer to the applicable warnings and cautions for this system before performing the following operation (Refer to 24 - HEATING & AIR CONDITIONING/PLUMBING - WARNINGS) and (Refer to 24 - HEATING & AIR CONDITIONING/PLUMBING - CAUTIONS). Failure to follow the warnings and cautions could result in possible personal injury or death.

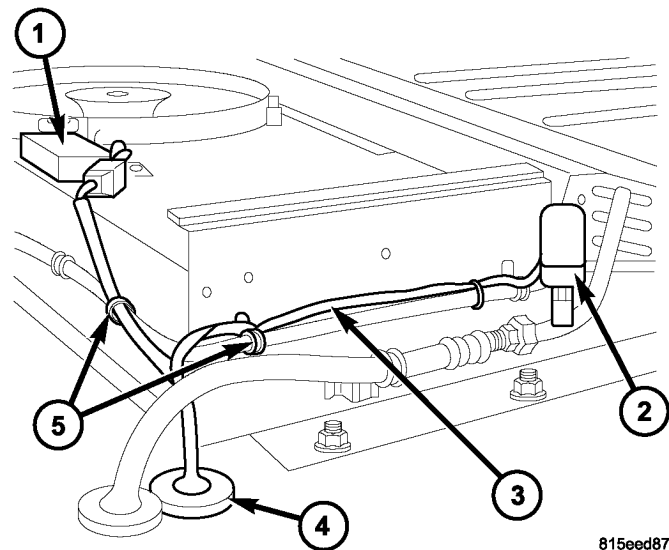
(1) Disconnect and isolate the negative battery cable.

(2) Remove the cover from the rear A/C evaporator housing (Refer to 24 - HEATING & AIR CONDITIONING/DISTRIBUTION - REAR/A/C EVAPORATOR COVER-REAR - REMOVAL).

(3) Recover the refrigerant from the rear refrigerant system (Refer to 24 - HEATING & AIR CONDITIONING/PLUMBING - STANDARD PROCEDURE - REFRIGERANT RECOVERY).

(4) Remove the cover from the rear A/C condenser housing (Refer to 24 - HEATING & AIR CONDITIONING/DISTRIBUTION - REAR/A/C CONDENSER COVER - REMOVAL).

(5) Disconnect the rear A/C wire harness from the rear condenser fan suppression filter and the rear A/C high pressure switch and remove the retaining straps that secure the wire harness to the rear liquid line (Fig. 4).



815eed87

Fig. 4 Rear A/C Wire Harness - Condenser Side

- 1 - REAR CONDENSER FAN SUPPRESSION FILTER
- 2 - REAR A/C HIGH PRESSURE SWITCH
- 3 - REAR A/C WIRE HARNESS
- 4 - GROMMET
- 5 - RETAINING STRAPS

(6) Disengage the rear A/C wire harness grommet from the roof panel and pull the wire harness down into the vehicle (Fig. 5).

(7) Disconnect the rear body wire harness connector from the rear A/C wire harness.

(8) Remove the retaining straps that secure the rear dome lamp harness to the rear A/C evaporator housing and position the rear dome lamp harness out of the way.

(9) Remove the nut that secures the positive wire lead to the rear A/C system terminal block and position the wire lead out of the way.

(10) Remove the insulating tape from around the rear evaporator connections.

(11) Disconnect the rear liquid line from the rear A/C expansion valve and remove and discard the O-ring seal.

(12) Disconnect the rear suction line from the rear evaporator outlet tube and remove and discard the O-ring seal.

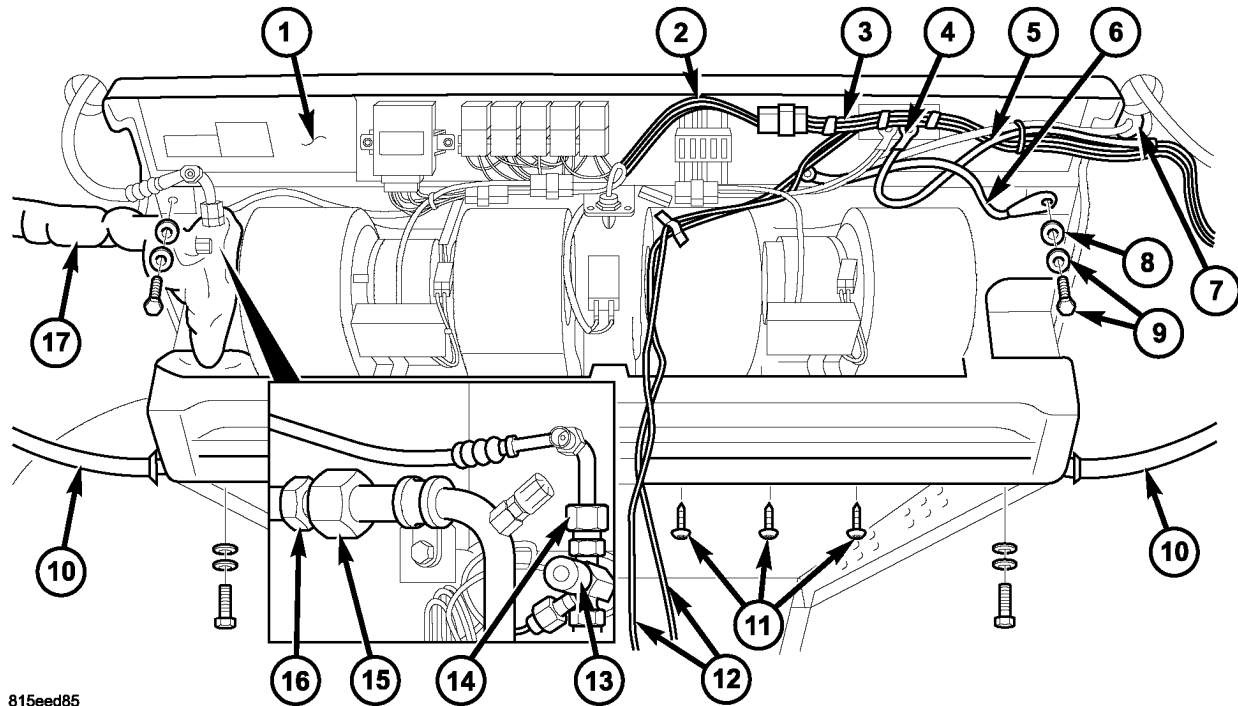
(13) Install plugs into, or tape over the opened refrigerant line fittings and rear expansion valve and evaporator tube ports.

(14) Disconnect and install plugs into the two rear evaporator drain hoses.

(15) Support the rear A/C evaporator housing and remove the nine screws, four bolts and washers and four damping washers that secure the rear A/C evaporator housing to the roof panel.

(16) With help from an assistant, remove the rear A/C evaporator housing from the vehicle.

(17) If required, remove the rear A/C evaporator from the rear A/C evaporator housing (Refer to 24 - HEATING & AIR CONDITIONING/PLUMBING/REAR A/C EVAPORATOR - REMOVAL).



815eed85

Fig. 5 Rear A/C Evaporator Housing

- | | |
|--|--|
| <ul style="list-style-type: none"> 1 - REAR A/C EVAPORATOR HOUSING 2 - REAR A/C WIRE HARNESS 3 - REAR BODY WIRE HARNESS 4 - NUT 5 - POSITIVE WIRE LEAD 6 - GROUND LEAD 7 - GROMMET 8 - SEALING WASHER (4) 9 - BOLT AND WASHER (4) | <ul style="list-style-type: none"> 10 - REAR EVAPORATOR DRAIN HOSES 11 - SCREW (9) 12 - REAR DOME LAMP HARNESS 13 - REAR A/C EVAPANSION VALVE 14 - REAR LIQUID LINE FITTING 15 - REAR A/C EVAPORATOR OUTLET TUBE 16 - REAR SUCTION LINE FITTING 17 - INSULATING TAPE |
|--|--|

INSTALLATION

NOTE: Be certain to add refrigerant oil if the rear A/C evaporator is being replaced. The refrigerant oil must be drained from the old evaporator and measured to determine the amount of refrigerant oil to add to the new evaporator. Use only refrigerant oil of the type recommended for the rear A/C compressor in the vehicle.

(1) If the rear A/C evaporator is being replaced, install the correct amount and type of refrigerant oil into the new rear A/C evaporator. Drain the old evaporator and measure the refrigerant oil. Fill the new evaporator with the same amount of new refrigerant oil that was drained out of the old evaporator.

(2) With help from an assistant, position and support the rear A/C evaporator housing into the vehicle.

(3) Inspect the four rubber damping washers for correct sealing. Replace the washers as required.

CAUTION: Be sure to install the rear A/C system ground lead with one of the rear evaporator housing retaining bolts. Failure to correctly install the

ground lead could result in improper operation or possible damage to the rear A/C system.

(4) Position the ground lead to the rear A/C evaporator housing and install the four bolts and washers and four damping washers that secure the evaporator housing to the roof panel. Tighten the bolts to 25 N·m (18 ft. lbs.).

(5) Install the nine screws that secure the rear A/C evaporator housing to the roof panel. Tighten the screws to 5 N·m (45 in. lbs.).

(6) Unplug and connect the two rear evaporator drain hoses.

(7) Remove the tape or plugs from the refrigerant line fittings and the rear expansion valve and evaporator tube ports.

(8) Lubricate a new O-ring seal with clean refrigerant oil and install it onto the rear liquid line fitting. Use only the specified O-ring seal as it is made of a special material for the R-134a system. Use only refrigerant oil of the type recommended for the rear A/C compressor in the vehicle.

(9) Connect the rear liquid line to the rear A/C expansion valve. Tighten the liquid line nut to 35 N·m (26 ft. lbs.).

(10) Lubricate a new O-ring seal with clean refrigerant oil and install it onto the rear suction line fitting. Use only the specified O-ring seal as it is made of a special material for the R-134a system. Use only refrigerant oil of the type recommended for the rear A/C compressor in the vehicle.

(11) Connect the rear suction line to the rear evaporator outlet tube. Tighten the suction line nut to 35 N·m (26 ft. lbs.).

(12) Install new insulating tape around the rear evaporator connections.

(13) Install the positive wire lead onto the rear A/C system terminal block and install the retaining nut. Tighten the nut securely.

(14) Reposition the rear dome lamp harness and install the retaining straps that secure the harness to the rear A/C evaporator housing.

(15) Connect the rear A/C wire harness connector to the rear body wire harness.

(16) Route the rear A/C wire harness up through the roof panel and install the grommet.

(17) Connect the rear A/C wire harness to the rear condenser fan suppression filter and the rear A/C high pressure switch and install the retaining straps that secure the wire harness to the rear liquid line.

(18) Reconnect the negative battery cable.

(19) Evacuate the rear refrigerant system (Refer to 24 - HEATING & AIR CONDITIONING/PLUMBING - STANDARD PROCEDURE - REFRIGERANT SYSTEM EVACUATE).

(20) Charge the rear refrigerant system (Refer to 24 - HEATING & AIR CONDITIONING/PLUMBING - STANDARD PROCEDURE - REFRIGERANT SYSTEM CHARGE).

(21) Install the cover onto the rear A/C evaporator housing (Refer to 24 - HEATING & AIR CONDITIONING/DISTRIBUTION - REAR/A/C EVAPORATOR COVER-REAR - INSTALLATION).

(22) Install the cover onto the rear A/C condenser housing (Refer to 24 - HEATING & AIR CONDITIONING/DISTRIBUTION - REAR/A/C CONDENSER COVER - INSTALLATION).

AIR FILTER

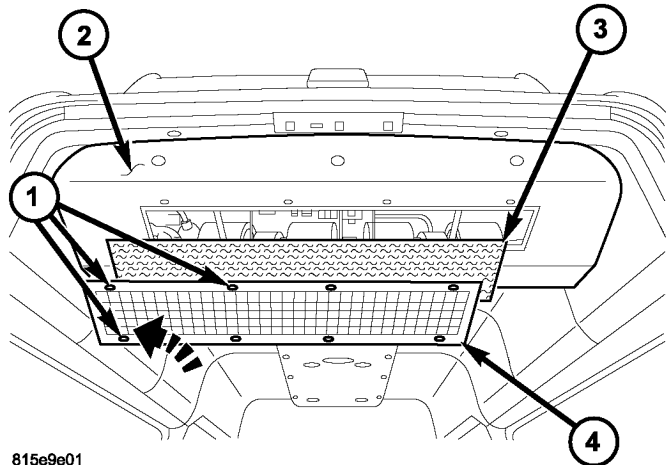
REMOVAL

(1) Unlock the eight quick-release fasteners by turning them 90 degrees counter clockwise (Fig. 6).

(2) Remove the rear air inlet grate from the rear A/C evaporator cover.

(3) Remove the rear particulate air filter by disengaging the velcro-type retainers.

(4) Carefully clean the rear particulate air filter using compressed air.



815e9e01

Fig. 6 Rear Particulate Air Filter

- 1 - QUICK-RELEASE FASTENER (8)
- 2 - REAR A/C EVAPORATOR COVER
- 3 - REAR PARTICULATE AIR FILTER
- 4 - REAR AIR INLET GRATE

INSTALLATION

NOTE: Replace the rear particulate air filter if it is heavily soiled or damaged.

(1) Position the rear particulate air filter and engage the velcro-type retainers.

(2) Install the rear air inlet grate onto the rear A/C evaporator cover.

(3) Lock the eight quick-release fasteners by turning them 90 degrees clockwise.

BLOWER MOTOR

REMOVAL

(1) Disconnect and isolate the negative battery cable.

(2) Remove the cover from the rear A/C evaporator housing (Refer to 24 - HEATING & AIR CONDITIONING/DISTRIBUTION - REAR/A/C EVAPORATOR COVER-REAR - REMOVAL).

(3) Disconnect the wire harness connectors from the rear blower motor suppression filter and from the rear blower motor being serviced and remove the suppression filter (Fig. 7).

(4) Remove the body sealer from around the rear blower motor area being serviced.

(5) Remove the screws that secure each rear blower motor to the rear evaporator housing and remove blower motor.

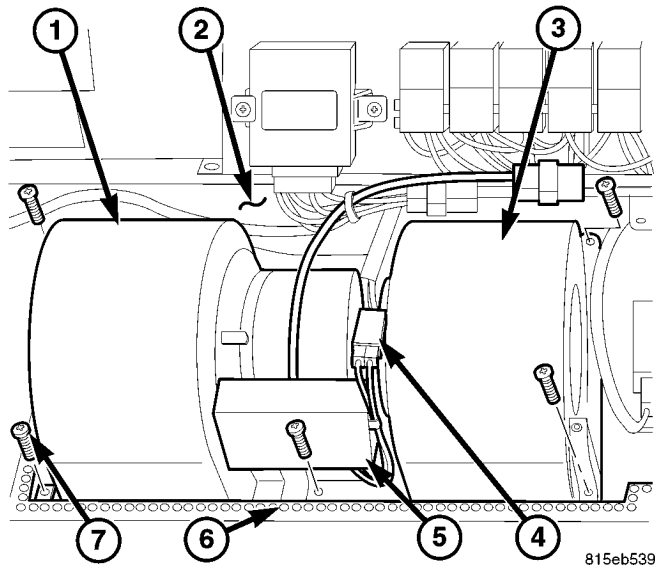


Fig. 7 Rear Blower Motors - LH shown, RH similar

- 1 - REAR BLOWER MOTOR (2)
- 2 - REAR A/C EVAPORATOR HOUSING
- 3 - SUPPRESSION FILTER WIRE CONNECTOR
- 4 - BLOWER MOTOR WIRE CONNECTOR
- 5 - REAR BLOWER MOTOR SUPPRESSION FILTER
- 6 - SEALER
- 7 - SCREW (5 PER MOTOR)

INSTALLATION

- (1) Position the rear blower motor being serviced to the rear A/C evaporator housing.
- (2) Install the screws that secure each rear blower motor to the rear A/C evaporator housing. Tighten the screws to 5 N·m (45 in. lbs.).
- (3) Install a new bead of body sealant to the blower motor area being serviced.
- (4) Install the rear blower motor suppression filter and connect the wiring harness connectors to the suppression filter and to the rear blower motor being serviced.
- (5) Install the cover onto the rear A/C evaporator housing (Refer to 24 - HEATING & AIR CONDITIONING/DISTRIBUTION - REAR/A/C EVAPORATOR COVER-REAR - INSTALLATION).
- (6) Reconnect the negative battery cable.

PLUMBING

TABLE OF CONTENTS

	page		page
PLUMBING		HEATER CORE	
DESCRIPTION	61	DESCRIPTION	76
OPERATION	61	OPERATION	76
WARNINGS	61	REMOVAL	76
CAUTIONS	62	INSTALLATION	77
DIAGNOSIS AND TESTING		LIQUID LINE	
REFRIGERANT SYSTEM LEAKS	62	REMOVAL	77
STANDARD PROCEDURE		INSTALLATION	79
REFRIGERANT SYSTEM SERVICE		RECEIVER/DRIER	
EQUIPMENT	63	DESCRIPTION	79
REFRIGERANT SYSTEM RECOVERY	64	OPERATION	79
REFRIGERANT SYSTEM EVACUATE	64	REMOVAL	80
REFRIGERANT SYSTEM CHARGE	64	INSTALLATION	80
A/C COMPRESSOR		REFRIGERANT	
DESCRIPTION	66	DESCRIPTION	80
OPERATION	66	OPERATION	80
DIAGNOSIS AND TESTING		REFRIGERANT OIL	
A/C COMPRESSOR NOISE	66	DESCRIPTION	81
REMOVAL		OPERATION	81
DENSO 7SBU16C A/C COMPRESSOR	67	STANDARD PROCEDURE	
DENSO 10S17 A/C COMPRESSOR	68	REFRIGERANT OIL LEVEL	81
INSTALLATION		SUCTION LINE	
DENSO 7SBU16C A/C COMPRESSOR	68	REMOVAL	81
DENSO 10S17 A/C COMPRESSOR	69	INSTALLATION	82
A/C CONDENSER		WATER VALVE	
DESCRIPTION	69	REMOVAL	83
OPERATION	69	INSTALLATION	83
REMOVAL	70	REAR A/C CONDENSER FAN	
INSTALLATION	70	REMOVAL	83
A/C DISCHARGE LINE		INSTALLATION	84
REMOVAL	71	REAR A/C EVAPORATOR	
INSTALLATION	71	REMOVAL	84
A/C EVAPORATOR		INSTALLATION	85
DESCRIPTION	72	REAR A/C EXPANSION VALVE	
OPERATION	72	DESCRIPTION	85
REMOVAL	72	OPERATION	85
INSTALLATION	73	REMOVAL	86
A/C EXPANSION VALVE		INSTALLATION	87
DESCRIPTION	73	REAR DISCHARGE LINE	
OPERATION	73	DESCRIPTION	88
DIAGNOSIS AND TESTING		REMOVAL	88
A/C EXPANSION VALVE	74	INSTALLATION	90
REMOVAL	74	REAR LIQUID LINE	
INSTALLATION	74	DESCRIPTION	91
ELECTRIC COOLANT PUMP		REMOVAL	91
DESCRIPTION	75	INSTALLATION	93
OPERATION	75	REAR RECEIVER/DRIER	
REMOVAL	75	REMOVAL	94
INSTALLATION	76	INSTALLATION	94

REAR REFRIGERANT RESERVOIR
 REMOVAL 95
 INSTALLATION 95

REAR SUCTION LINE
 DESCRIPTION 96
 REMOVAL 96
 INSTALLATION 98

REFRIGERANT LINE COUPLER
 DESCRIPTION 98

OPERATION 98
 REMOVAL 99
 INSTALLATION 99

UNDERBODY LINES
 REMOVAL 100
 INSTALLATION 102

PLUMBING

DESCRIPTION

The refrigerant lines and hoses are used to carry the refrigerant between the various air conditioning system components. A barrier hose design with a nylon tube, which is sandwiched between rubber layers, is used for the R-134a air conditioning system on this vehicle. This nylon tube helps to further contain the R-134a refrigerant, which has a smaller molecular structure than R-12 refrigerant. The ends of the refrigerant hoses are made from lightweight aluminum or steel, and commonly use braze-less fittings.

Any kinks or sharp bends in the refrigerant plumbing will reduce the capacity of the entire air conditioning system. Kinks and sharp bends reduce the flow of refrigerant in the system. A good rule for the flexible hose refrigerant lines is to keep the radius of all bends at least ten times the diameter of the hose. In addition, the flexible hose refrigerant lines should be routed so they are at least 80 millimeters (3 inches) from the exhaust manifold.

OPERATION

High pressures are produced in the refrigerant system when the air conditioning compressor is operating. Extreme care must be exercised to make sure that each of the refrigerant system connections is pressure-tight and leak free. It is a good practice to inspect all flexible hose refrigerant lines at least once a year to make sure they are in good condition and properly routed.

The refrigerant lines and hoses cannot be repaired and, if faulty or damaged, they must be replaced.

WARNINGS

WARNING: The A/C system contains refrigerant under high pressure. Repairs should only be performed by qualified service personnel. Severe personal injury or death may result from improper service procedures.

WARNING: Avoid breathing the refrigerant and refrigerant oil vapor or mist. Exposure may irritate the eyes, nose, and/or throat. Wear eye protection

when servicing the A/C refrigerant system. Serious eye injury can result from direct contact with the refrigerant. If eye contact occurs, seek medical attention immediately.

WARNING: Do not expose the refrigerant to open flame. Poisonous gas is created when refrigerant is burned. An electronic leak detector is recommended. Severe personal injury or death may result from improper service procedures.

WARNING: If accidental system discharge occurs, ventilate the work area before resuming service. Large amounts of refrigerant released in a closed work area will displace the oxygen and cause suffocation and death.

WARNING: The evaporation rate of R-134a refrigerant at average temperature and altitude is extremely high. As a result, anything that comes in contact with the refrigerant will freeze. Always protect the skin or delicate objects from direct contact with the refrigerant.

WARNING: The R-134a service equipment or the vehicle refrigerant system should not be pressure tested or leak tested with compressed air. Some mixtures of air and R-134a have been shown to be combustible at elevated pressures. These mixtures are potentially dangerous, and may result in fire or explosion causing property damage, personal injury or death.

WARNING: The engine cooling system is designed to develop internal pressures of 97 to 123 kilopascals (14 to 18 pounds per square inch). Do not remove or loosen the coolant pressure cap, cylinder block drain plugs, radiator drain, radiator hoses, heater hoses, or hose clamps while the engine cooling system is hot and under pressure. Allow the vehicle to cool for a minimum of 15 minutes before opening the cooling system for service. Failure to observe this warning can result in serious burns from the heated engine coolant.

CAUTIONS

CAUTION: Never add R-12 to a refrigerant system designed to use R-134a. Do not use R-12 equipment or parts on a R-134a A/C system. These refrigerants are not compatible and damage to the A/C system will result.

CAUTION: Never use R-12 refrigerant oil in a A/C system designed to use R-134a refrigerant oil. These refrigerant oils are not compatible and damage to the A/C system will result.

CAUTION: The use of A/C system sealers may result in damage to A/C refrigerant recovery/evacuation/recharging equipment and/or A/C system. Many federal, state/provincial and local regulations prohibit the recharge of A/C systems with known leaks. DaimlerChrysler recommends the detection of A/C system leaks through the use of approved leak detectors and fluorescent leak detection dyes. Vehicles found with A/C system sealers should be treated as contaminated and replacement of the entire A/C refrigerant system is recommended. A/C systems found to be contaminated with A/C system sealers, A/C stop-leak products or seal conditioners voids the warranty for the A/C system.

CAUTION: Recover the refrigerant before opening any fitting or connection. Open the fittings with caution, even after the system has been discharged. Never open or loosen a connection before recovering the refrigerant.

CAUTION: If equipped, do not remove the secondary retention clip from any spring-lock coupler connection while the refrigerant system is under pressure. Recover the refrigerant before removing the secondary retention clip. Open the fittings with caution, even after the system has been discharged. Never open or loosen a connection before recovering the refrigerant.

CAUTION: The internal parts of the A/C system will remain stable as long as moisture-free refrigerant and refrigerant oil is used. Abnormal amounts of dirt, moisture or air can upset the chemical stability. This may cause operational troubles or even serious damage if present in more than very small quantities. Before disconnecting a component, clean the outside of the fittings thoroughly to prevent contamination from entering the refrigerant system. Keep service tools and the work area clean. Do not open the refrigerant system or uncap a

replacement component until you are ready to service the system. Immediately after disconnecting a component from the refrigerant system, seal the open fittings with a cap or plug. This will prevent contamination from entering the A/C system.

CAUTION: Refrigerant oil will absorb moisture from the atmosphere if left uncapped. Do not open a container of refrigerant oil until you are ready to use it. Replace the cap on the oil container immediately after using. Store refrigerant oil only in a clean, airtight, and moisture-free container.

CAUTION: Do not overcharge the refrigerant system. Overcharging will cause excessive compressor head pressure and can cause compressor noise and A/C system failure.

DIAGNOSIS AND TESTING

REFRIGERANT SYSTEM LEAKS

WARNING: R-134a service equipment or vehicle A/C system should not be pressure tested or leak tested with compressed air. Mixture of air and R-134a can be combustible at elevated pressures. These mixtures are potentially dangerous and may result in fire or explosion causing property damage, personal injury or death.

Avoid breathing A/C refrigerant and lubricant vapor or mist. Exposure may irritate eyes, nose and throat. Use only approved service equipment meeting SAE requirements to discharge R-134a system. If accidental system discharge occurs, ventilate work area before resuming service.

If the A/C system is not cooling properly, determine if the refrigerant system is fully charged with R-134a. This is accomplished by performing a Refrigerant System Charge Level test (Refer to 24 - HEATING & AIR CONDITIONING/PLUMBING - DIAGNOSIS AND TESTING - REFRIGERANT SYSTEM CHARGE LEVEL) or by completely evacuating and recharging the A/C system. If the A/C liquid line pressure is found to be less than 345 kPa (50 psi) while performing the Refrigerant System Charge Level test, proceed to the System Empty procedure below. If liquid line pressure is found to be greater than 345 kPa (50 psi), proceed to the System Low procedure. If the refrigerant system is empty or low in refrigerant charge, a leak at any line fitting or component seal is likely. A review of the fittings, lines and components for oily residue is an indication of the leak location. To detect a leak in the refrigerant system, perform one of the following procedures as indicated by the symptoms.

SYSTEM EMPTY

(1) Evacuate the refrigerant system to the lowest degree of vacuum possible (approximately 28 in Hg.) (Refer to 24 - HEATING & AIR CONDITIONING/PLUMBING - STANDARD PROCEDURE - REFRIGERANT SYSTEM EVACUATE). Determine if the system holds a vacuum for 15 minutes. If vacuum is held, a leak is probably not present. If system will not maintain vacuum level, proceed to Step 2.

(2) Prepare and dispense 0.284 kilograms (10 ounces) of R-134a refrigerant into the evacuated refrigerant system (Refer to 24 - HEATING & AIR CONDITIONING/PLUMBING - STANDARD PROCEDURE - REFRIGERANT SYSTEM CHARGE) and proceed to Step 1 of the System Low procedure.

SYSTEM LOW

(1) Position the vehicle in a wind free work area. This will aid in detecting small leaks.

(2) Operate the heating-A/C system with the engine at idle under the following conditions for at least five minutes.

- Doors or windows open
- Transmission in Park
- A/C-heater controls set to outside air, full cool, panel mode, high blower and with A/C compressor engaged

CAUTION: A leak detector only designed for R-12 refrigerant will not detect leaks in a R-134a refrigerant system.

(3) Shut the vehicle Off and wait 2-7 minutes. Then use an electronic leak detector that is designed to detect R-134a refrigerant and search for leaks. Fittings, lines or components that appear to be oily usually indicate a refrigerant leak. To inspect the A/C evaporator for leaks, insert the leak detector probe into the drain tube opening or an air outlet. A dye for R-134a is available to aid in leak detection. Use only DaimlerChrysler approved refrigerant dye.

STANDARD PROCEDURE

REFRIGERANT SYSTEM SERVICE EQUIPMENT

WARNING: Eye protection must be worn when servicing an A/C refrigerant system. Turn off (rotate clockwise) all valves on the equipment being used, before connecting to or disconnecting from the refrigerant system. Failure to observe these warnings may result in possible personal injury.

WARNING: Refer to the applicable warnings and cautions for this system before performing the following operation (Refer to 24 - HEATING & AIR CONDITIONING/PLUMBING - WARNINGS) and (Refer

to 24 - HEATING & AIR CONDITIONING/PLUMBING - CAUTIONS). Failure to follow the warnings and cautions could result in possible personal injury or death.

When servicing the air conditioning system, a R-134a refrigerant recovery/recycling/charging station that meets SAE Standard J2210 must be used. Contact an automotive service equipment supplier for refrigerant recovery/recycling/charging equipment. Refer to the operating instructions supplied by the equipment manufacturer for proper care and use of this equipment.

A manifold gauge set may be needed with some recovery/recycling/charging equipment (Fig. 1). The service hoses on the gauge set being used should have manual (turn wheel), or automatic back-flow valves at the service port connector ends. This will prevent refrigerant from being released into the atmosphere.

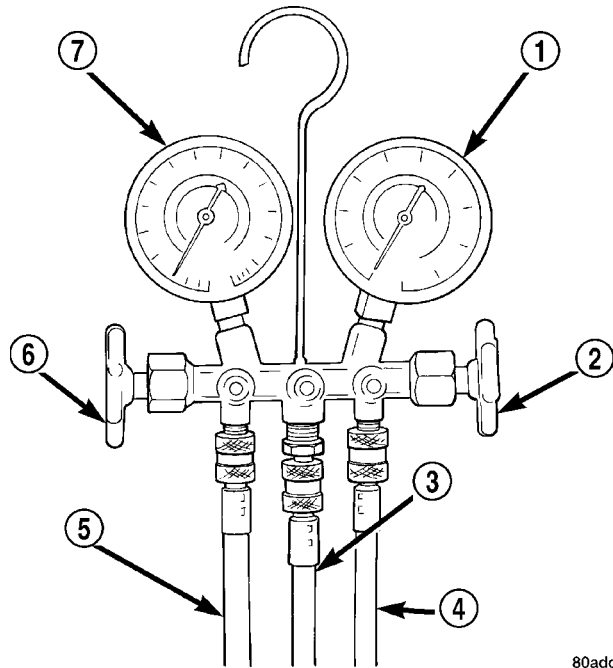


Fig. 1 Manifold Gauge Set - Typical

- 1 - HIGH PRESSURE GAUGE
- 2 - VALVE
- 3 - VACUUM/REFRIGERANT HOSE (YELLOW W/ BLACK STRIPE)
- 4 - HIGH PRESSURE HOSE (RED W/ BLACK STRIPE)
- 5 - LOW PRESSURE HOSE (BLUE W/ BLACK STRIPE)
- 6 - VALVE
- 7 - LOW PRESSURE GAUGE

MANIFOLD GAUGE SET CONNECTIONS

CAUTION: Do not use an R-12 manifold gauge set on an R-134a system. The refrigerants are not compatible and system damage will result.

FRONT A / C SYSTEM

- **LOW PRESSURE GAUGE HOSE**—The low pressure hose (Blue with Black stripe) attaches to the suction line service port. This port is located on the suction line near the dash panel.

- **HIGH PRESSURE GAUGE HOSE**—The high pressure hose (Red with Black stripe) attaches to the discharge line service port. This port is located on the liquid line between the condenser and the receiver-drier.

- **RECOVERY/RECYCLING/EVACUATION/CHARGING HOSE**—The center manifold hose (Yellow, or White, with Black stripe) is used to recover, evacuate, and charge the refrigerant system. When the low or high pressure valves on the manifold gauge set are opened, the refrigerant in the system will escape through this hose.

REAR A / C SYSTEM

- **LOW PRESSURE GAUGE HOSE**—The low pressure hose (Blue with Black stripe) attaches to the suction line service port. This port is located within the rear A/C evaporator housing near the left side of the evaporator, below the high-pressure service port.

- **HIGH PRESSURE GAUGE HOSE**—The high pressure hose (Red with Black stripe) attaches to the liquid line service port. This port is located within the rear A/C evaporator housing near the left side of the evaporator, above the low-pressure service port.

- **RECOVERY/RECYCLING/EVACUATION/CHARGING HOSE**—The center manifold hose (Yellow, or White, with Black stripe) is used to recover, evacuate, and charge the refrigerant system. When the low or high pressure valves on the manifold gauge set are opened, the refrigerant in the system will escape through this hose.

REFRIGERANT SYSTEM RECOVERY

WARNING: Refer to the applicable warnings and cautions for this system before performing the following operation (Refer to 24 - HEATING & AIR CONDITIONING/PLUMBING - WARNINGS) and (Refer to 24 - HEATING & AIR CONDITIONING/PLUMBING - CAUTIONS). Failure to follow the warnings and cautions could result in possible personal injury or death.

A R-134a refrigerant recovery/recycling/charging station that meets SAE Standard J2210 must be used to recover the refrigerant from an R-134a refrigerant system. Refer to the operating instructions supplied by the equipment manufacturer for the proper care and use of this equipment.

REFRIGERANT SYSTEM EVACUATE

WARNING: Refer to the applicable warnings and cautions for this system before performing the following operation (Refer to 24 - HEATING & AIR CONDITIONING/PLUMBING - WARNINGS) and (Refer to 24 - HEATING & AIR CONDITIONING/PLUMBING - CAUTIONS). Failure to follow the warnings and cautions could result in possible personal injury or death.

If the refrigerant system has been open to the atmosphere, it must be evacuated before the system can be charged. If moisture and air enters the system and becomes mixed with the refrigerant, the compressor head pressure will rise above acceptable operating levels. This will reduce the performance of the air conditioner and damage the compressor. Evacuating the refrigerant system will remove the air and boil the moisture out of the system at near room temperature. To evacuate the refrigerant system, use the following procedure:

- (1) Connect a R-134a refrigerant recovery/recycling/charging station that meets SAE Standard J2210 and a manifold gauge set to the refrigerant system of the vehicle.

- (2) Open the low and high side valves and start the charging station vacuum pump. When the suction gauge reads 88 kPa (26 in. Hg.) vacuum or greater, close all of the valves and turn off the vacuum pump.

- (a) If the refrigerant system fails to reach the specified vacuum, the system has a leak that must be corrected. (Refer to 24 - HEATING & AIR CONDITIONING/PLUMBING - DIAGNOSIS AND TESTING - REFRIGERANT SYSTEM LEAKS)

- (b) If the refrigerant system maintains the specified vacuum for five minutes, restart the vacuum pump, open the suction and discharge valves and evacuate the system for an additional ten minutes.

- (3) Close all of the valves, and turn off the charging station vacuum pump.

- (4) The refrigerant system is now ready to be charged with R-134a refrigerant. (Refer to 24 - HEATING & AIR CONDITIONING/PLUMBING - STANDARD PROCEDURE - REFRIGERANT SYSTEM CHARGE)

REFRIGERANT SYSTEM CHARGE

WARNING: Refer to the applicable warnings and cautions for this system before performing the following operation (Refer to 24 - HEATING & AIR CONDITIONING/PLUMBING - WARNINGS) and (Refer to 24 - HEATING & AIR CONDITIONING/PLUMBING - CAUTIONS). Failure to follow the warnings and cautions could result in possible personal injury or death.

CAUTION: A small amount of refrigerant oil is removed from the A/C system each time the refrigerant system is recovered and evacuated. Before charging the A/C system, you **MUST** replenish any oil lost during the recovery process. Refer the equipment manufacturer instructions for more information.

After the refrigerant system has been tested for leaks and evacuated, a refrigerant charge can be injected into the system. (Refer to 24 - HEATING & AIR CONDITIONING/PLUMBING - SPECIFICATIONS - CHARGE CAPACITY)

A R-134a refrigerant recovery/recycling/charging station that meets SAE Standard J2210 must be used to charge the refrigerant system with R-134a refrigerant. Refer to the operating instructions supplied by the equipment manufacturer for proper care and use of this equipment.

PARTIAL CHARGE METHOD

The partial charge method is used to add a partial charge to a refrigerant system that is low on refrigerant. To perform this procedure the evaporator inlet and outlet tube temperatures are measured. The temperature difference is measured with a temperature meter with one or two clamp-on thermocouple probes. The difference between the evaporator inlet and outlet tube temperatures will determine the amount of refrigerant needed.

Before adding a partial refrigerant charge, check for refrigerant system leaks. (Refer to 24 - HEATING & AIR CONDITIONING/PLUMBING - DIAGNOSIS AND TESTING - REFRIGERANT SYSTEM LEAKS) If a leak is found, make the necessary repairs before attempting a full or partial refrigerant charge.

(1) Attach a manifold gauge set to the refrigerant system service ports.

(2) Attach the two clamp-on thermocouple probes to the inlet and outlet tubes of the evaporator coil.

- If a single thermocouple probe is used, attach the probe to the evaporator inlet tube just before the collar of the refrigerant line connector fitting. The probe must make contact with the bottom surface of the evaporator inlet tube.

- If dual thermocouple probes are used, attach probe 1 to the evaporator inlet tube, and probe 2 to the evaporator outlet tube. Attach both probes to the evaporator tubes just before the collar of the refrigerant

erant line connector fittings. The probes must make contact with the bottom surfaces of the evaporator inlet and outlet tubes.

(3) Open all of the windows or doors of the passenger compartment.

(4) Set the A/C button on the A/C Heater controls to the on position, the temperature control knob in the full cool position, select Recirculation Mode, and place the blower motor switch in the highest speed position.

(5) Start the engine and hold the engine idle speed at 1,000 rpm. Allow the engine to warm up to normal operating temperature.

(6) The compressor clutch may cycle, depending upon ambient temperature, humidity, and the refrigerant system charge level.

(7) Hold the engine idle speed at 1,000 rpm.

(8) Allow three to five minutes for the refrigerant system to stabilize, then record the temperatures of the evaporator inlet and outlet tubes.

- If a single probe is used, record the temperature of the evaporator inlet tube. Then remove the probe from the inlet tube and attach it to the evaporator outlet tube just before the collar of the refrigerant line connector fitting. The probe must make contact with the bottom surface of the evaporator outlet tube. Allow the thermocouple and meter time to stabilize, then record the temperature of the evaporator outlet tube. Subtract the inlet tube temperature reading from the outlet tube temperature reading.

- If dual probes are used, record the temperatures of both the evaporator inlet and outlet tubes. Then subtract the inlet tube temperature reading from the outlet tube temperature reading.

(9) If the measured temperature differential is higher than 22° C to 26° C (40° F to 47° F), add 0.4 kilograms (14 ounces) of refrigerant.

(10) Allow three to five minutes for the refrigerant system to stabilize, then take a second set of thermocouple measurements. Record the temperature difference to determine if an additional charge is required.

(11) Record the compressor discharge pressure. If the reading is higher than the pressure shown in the Compressor Discharge Pressure Chart, the system could be overcharged. If the reading is equal to, or lower, than the pressure shown in the chart, continue with this procedure.

Compressor Discharge Pressure Chart						
Ambient Temperature	16°C (60°F)	21°C (70°F)	27°C (80°F)	32°C (90°F)	38°C (100°F)	43°C (110°F)
Compressor Discharge Pressure	1378 kPa (200 psi)	1516 kPa (220 psi)	1723 kPa (250psi)	1930 kPa (280 psi)	2206 kPa (320 psi)	2413 kPa (350 psi)

(12) **EXAMPLE:** The ambient temperature is 21° C (70° F). The evaporator inlet tube temperature is 12° C (54° F) and the evaporator outlet tube temperature is 10° C (50° F). Subtract the inlet tube temperature from the outlet tube temperature. The difference is -2° C (-4° F). With a -2° C (-4° F) temperature differential at 21° C (70° F) ambient temperature, the system is fully charged.

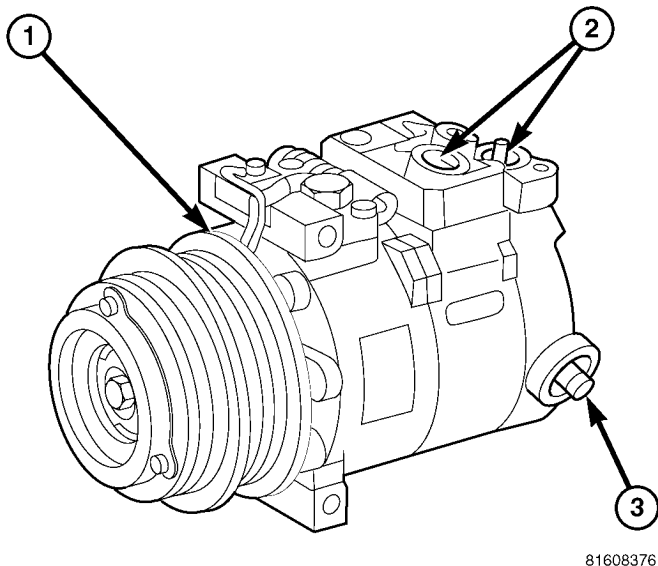
(13) Add enough refrigerant to bring the refrigerant system up to a full charge.

(14) Remove the jumper wire from the low pressure cycling clutch switch wire harness connector and plug the connector back into the switch.

A / C COMPRESSOR

DESCRIPTION

The standard front A/C system uses a Denso 7SBU16C seven cylinder, variable displacement swash plate-type A/C compressor (Fig. 2). This A/C compressor has a volume control which is regulated by an internal control valve and has both the suction and discharge ports located at the rear of the compressor.

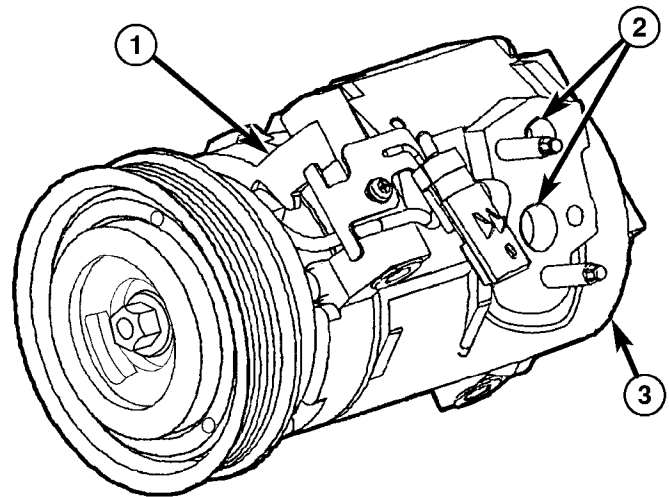


81608376

Fig. 2 Denso 7SBU16C A/C Compressor

- 1 - A/C COMPRESSOR (DENSO 7SBU16C)
- 2 - SUCTION AND DISCHARGE PORT
- 3 - INTERNAL CONTROL VALVE

The optional independent Konvekta rear A/C system uses the Denso 10S17C ten cylinder, double-acting swash plate-type A/C compressor (Fig. 3). This A/C compressor has a fixed displacement of 170 cubic centimeters (10.374 cubic inches), and has both the suction and discharge ports located on the cylinder head at the rear of the compressor.



812c0f81

Fig. 3 Denso 10S17C A/C Compressor

- 1 - A/C COMPRESSOR (DENSO 10S17C)
- 2 - SUCTION AND DISCHARGE PORT
- 3 - CYLINDER HEAD

A label identifying the use of R-134a refrigerant is located on both A/C compressors.

OPERATION

The A/C compressor is driven by the engine through an electric clutch, drive pulley and belt arrangement. The A/C compressor is lubricated by refrigerant oil that is circulated throughout the refrigerant system with the refrigerant.

The A/C compressor draws in low-pressure refrigerant vapor from the A/C evaporator through its suction port. It then compresses the refrigerant into a high-pressure, high-temperature refrigerant vapor, which is then pumped to the A/C condenser through the compressor discharge port.

The A/C compressor cannot be repaired and, if faulty or damaged, it must be replaced. The compressor clutch, pulley and bearing assembly, and clutch field coil are available for service. If an internal failure of the A/C compressor has occurred, the receiver/drier must also be replaced.

DIAGNOSIS AND TESTING

A / C COMPRESSOR NOISE

When investigating an air conditioning related noise, you must first know the conditions under which the noise occurs. These conditions include: weather, vehicle speed, transmission in gear or neutral, engine speed, engine temperature, and any other special conditions. Noises that develop during air conditioning operation can often be misleading. For example: What sounds like a failed front bearing or connecting rod, may be caused by loose bolts, nuts,

mounting brackets, or a loose compressor clutch assembly.

Drive belts are speed sensitive. At different engine speeds and depending upon belt tension, belts can develop noises that are mistaken for a compressor noise. Improper belt tension can cause a misleading noise when the compressor clutch is engaged, which may not occur when the compressor clutch is disengaged. Check the serpentine drive belt condition and tension as described in Cooling before beginning this procedure.

(1) Select a quiet area for testing. Duplicate the complaint conditions as much as possible. Switch the compressor on and off several times to clearly identify the compressor noise. Listen to the compressor while the clutch is engaged and disengaged. Probe the compressor with an engine stethoscope or a long screwdriver with the handle held to your ear to better localize the source of the noise.

(2) Loosen all of the compressor mounting hardware and retighten. Tighten the compressor clutch mounting nut. Be certain that the clutch coil is mounted securely to the compressor, and that the clutch plate and pulley are properly aligned and have the correct air gap. (Refer to 24 - HEATING & AIR CONDITIONING/CONTROLS/A/C COMPRESSOR CLUTCH - INSTALLATION)

(3) To duplicate a high-ambient temperature condition (high head pressure), restrict the air flow through the condenser. Install a manifold gauge set to be certain that the discharge pressure does not exceed 2760 kPa (400 psi).

(4) Check the refrigerant system plumbing for incorrect routing, rubbing or interference, which can cause unusual noises. Also check the refrigerant lines for kinks or sharp bends that will restrict refrigerant flow, which can cause noises. (Refer to 24 - HEATING & AIR CONDITIONING/PLUMBING - CAUTION - REFRIGERANT HOSES/LINES/TUBES PRECAUTIONS)

(5) If the noise is from opening and closing of the high pressure relief valve, reclaim, evacuate, and recharge the refrigerant system. (Refer to 24 - HEATING & AIR CONDITIONING/PLUMBING - STANDARD PROCEDURE - REFRIGERANT RECOVERY) (Refer to 24 - HEATING & AIR CONDITIONING/PLUMBING - STANDARD PROCEDURE - REFRIGERANT SYSTEM EVACUATE) (Refer to 24 - HEATING & AIR CONDITIONING/PLUMBING - STANDARD PROCEDURE - REFRIGERANT SYSTEM CHARGE) If the high pressure relief valve still does not seat properly, replace the a/c compressor. (Refer to 24 - HEATING & AIR CONDITIONING/PLUMBING/A/C COMPRESSOR - REMOVAL)

(6) If the noise is from liquid slugging on the suction line, check the refrigerant oil level and the refrigerant system charge. (Refer to 24 - HEATING & AIR CONDITIONING/PLUMBING/REFRIGER-

ANT OIL - STANDARD PROCEDURE) (Refer to 24 - HEATING & AIR CONDITIONING/PLUMBING - SPECIFICATIONS - CHARGE CAPACITY).

(7) If the noise continues, replace the compressor and repeat Step 1.

REMOVAL

DENSO 7SBU16C A / C COMPRESSOR

WARNING: Refer to the applicable warnings and cautions for this system before performing the following operation (Refer to 24 - HEATING & AIR CONDITIONING/PLUMBING - WARNINGS) and (Refer to 24 - HEATING & AIR CONDITIONING/PLUMBING - CAUTIONS). Failure to follow the warnings and cautions could result in possible personal injury or death.

NOTE: The A/C compressor may be removed and repositioned without disconnecting the refrigerant lines or discharging the refrigerant system. Discharging is not necessary if servicing the compressor clutch, clutch coil or the engine.

NOTE: If an internal failure of the A/C compressor has occurred, the receiver/drier must be replaced.

(1) Disconnect and isolate the negative battery cable.

(2) Recover the refrigerant from the refrigerant system (Refer to 24 - HEATING & AIR CONDITIONING/PLUMBING - STANDARD PROCEDURE - REFRIGERANT SYSTEM RECOVERY).

(3) Remove the serpentine drive belt (Refer to 7 - COOLING/ACCESSORY DRIVE/BELTS-DRIVE - REMOVAL).

(4) Disconnect the wire harness connector from the A/C compressor clutch coil.

(5) Remove the bolts that secure the A/C suction and discharge lines to the A/C compressor.

(6) Disconnect the A/C suction and discharge lines from the A/C compressor and remove and discard the O-ring seals (Fig. 4).

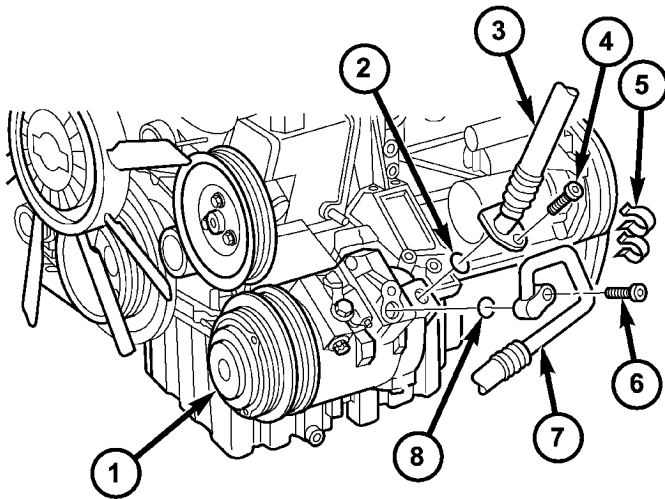
(7) Install plugs in, or tape over the opened refrigerant line fittings and the compressor ports.

(8) Raise the vehicle on a hoist.

(9) If equipped with an add-on rear A/C system, remove the lower A/C compressor and position it out of the way (Refer to 24 - HEATING & AIR CONDITIONING/PLUMBING/A/C COMPRESSOR - REMOVAL - DENSO 10S17).

(10) Support the A/C compressor and remove the compressor mounting bolts.

(11) Remove the A/C compressor from the engine compartment.



81136df5

Fig. 4 Denso 7SBU16C A/C Compressor

- 1 - A/C COMPRESSOR
- 2 - O-RING SEAL
- 3 - A/C SUCTION LINE
- 4 - BOLT
- 5 - RETAINING CLIP
- 6 - BOLT
- 7 - A/C DISCHARGE LINE
- 8 - O-RING SEAL

DENSO 10S17 A / C COMPRESSOR

WARNING: Refer to the applicable warnings and cautions for this system before performing the following operation (Refer to 24 - HEATING & AIR CONDITIONING/PLUMBING - WARNINGS) and (Refer to 24 - HEATING & AIR CONDITIONING/PLUMBING - CAUTIONS). Failure to follow the warnings and cautions could result in possible personal injury or death.

NOTE: The A/C compressor may be removed and repositioned without disconnecting the refrigerant lines or discharging the refrigerant system. Discharging is not necessary if servicing the compressor clutch, clutch coil or the engine.

NOTE: If an internal failure of the A/C compressor has occurred, the receiver/drier must be replaced.

(1) Recover the refrigerant from the refrigerant system (Refer to 24 - HEATING & AIR CONDITIONING/PLUMBING - STANDARD PROCEDURE - REFRIGERANT SYSTEM RECOVERY).

(2) Disconnect and isolate the negative battery cable.

(3) Raise and support the vehicle.

(4) Remove the accessory drive belt (Refer to 7 - COOLING/ACCESSORY DRIVE/BELTS-DRIVE - REMOVAL).

(5) Disconnect the wire harness connector from the clutch field coil of the A/C compressor (Fig. 5).

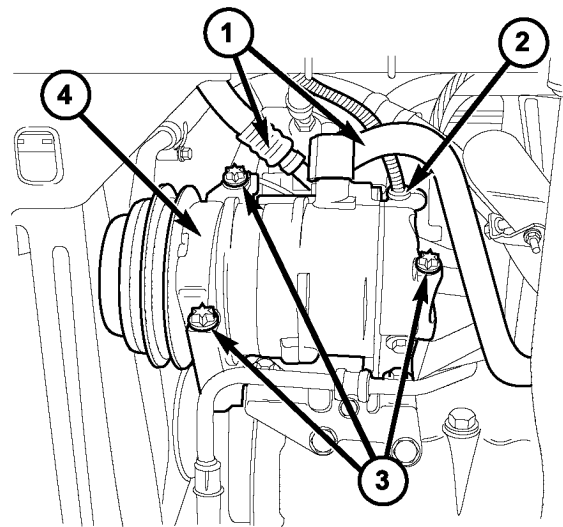
(6) Remove the bolts that secure the underbody suction and discharge lines to the A/C compressor.

(7) Disconnect the underbody suction and discharge lines from the A/C compressor and remove and discard the O-ring seals.

(8) Install plugs in, or tape over the opened refrigerant line fittings and the compressor ports.

(9) Remove the bolts that secure the A/C compressor to the mounting bracket.

(10) Remove the A/C compressor from the engine compartment.



81379413

Fig. 5 Denso 10S17 A/C Compressor

- 1 - REFRIGERANT LINES
- 2 - WIRE HARNESS CONNECTOR
- 3 - BOLTS (3)
- 4 - A/C COMPRESSOR

INSTALLATION

DENSO 7SBU16C A / C COMPRESSOR

NOTE: Be certain to check the refrigerant oil level if the A/C compressor is being replaced. See Refrigerant Oil Level in this group for the procedures. Use only refrigerant oil of the type recommended for the A/C compressor in the vehicle.

NOTE: If an internal failure of the A/C compressor has occurred, the receiver/drier must be replaced.

(1) Position the A/C compressor in the engine compartment and loosely install the three compressor retaining bolts. Tighten the bolts using the following sequence to 20 N·m (15 ft. lbs.).

- The upper bolt at the front of the compressor.
- The lower bolt at the front of the compressor.
- The bolt at the rear of the compressor.

(2) If equipped with an add-on rear A/C system, install the lower A/C compressor (Refer to 24 - HEATING & AIR CONDITIONING/PLUMBING/A/C COMPRESSOR - INSTALLATION - DENSO 10S17).

(3) Lower the vehicle.

(4) Remove the tape or plugs from the opened suction line fitting and the discharge line fitting and the compressor ports.

(5) Lubricate new rubber O-ring seals with clean refrigerant oil and install them onto the suction and the discharge line fittings. Use only the specified O-rings as they are made of a special material for the R-134a system. Use only refrigerant oil of the type recommended for the A/C compressor in the vehicle.

(6) Connect the A/C suction and discharge lines to the A/C compressor.

(7) Install the bolts that secure the A/C suction and discharge lines to the A/C compressor. Tighten the bolts to 23 N·m (17 ft. lbs.).

(8) Connect the wire harness connector to the A/C compressor clutch coil.

(9) Install the accessory drive belt (Refer to 7 - COOLING/ACCESSORY DRIVE/DRIVE BELTS - INSTALLATION).

(10) Replace the receiver/drier if the A/C compressor is being replaced due to an internal failure (Refer to 24 - HEATING & AIR CONDITIONING/PLUMBING/RECEIVER/DRIER - REMOVAL) and (Refer to 24 - HEATING & AIR CONDITIONING/PLUMBING/RECEIVER/DRIER - INSTALLATION).

(11) Reconnect the negative battery cable.

(12) Evacuate the refrigerant system (Refer to 24 - HEATING & AIR CONDITIONING/PLUMBING - STANDARD PROCEDURE - REFRIGERANT SYSTEM EVACUATE).

(13) Charge the refrigerant system (Refer to 24 - HEATING & AIR CONDITIONING/PLUMBING - STANDARD PROCEDURE - REFRIGERANT SYSTEM CHARGE).

DENSO 10S17 A / C COMPRESSOR

NOTE: Be certain to check the refrigerant oil level if the A/C compressor is being replaced. See Refrigerant Oil Level in this group for the procedures. Use only refrigerant oil of the type recommended for the A/C compressor in the vehicle.

NOTE: If an internal failure of the A/C compressor has occurred, the receiver/drier must be replaced.

(1) Position the A/C compressor in the engine compartment and loosely install the three compressor

retaining bolts. Tighten the bolts using the following sequence to 20 N·m (14 ft. lbs.).

- The upper bolt at the front of the compressor.
- The lower bolt at the front of the compressor.
- The bolt at the rear of the compressor.

(2) Remove the tape or plugs from the opened underbody suction and discharge line fittings and compressor ports.

(3) Lubricate new rubber O-ring seals with clean refrigerant oil and install them onto the suction and the discharge line fittings. Use only the specified O-rings as they are made of a special material for the R-134a system. Use only refrigerant oil of the type recommended for the A/C compressor in the vehicle.

(4) Connect the underbody suction and discharge lines to the A/C compressor.

(5) Install the bolts that secure the underbody suction and discharge lines to the A/C compressor. Tighten the bolts to 21 N·m (15 ft. lbs.).

(6) Connect the wire harness connector to the A/C compressor clutch coil.

(7) Install the accessory drive belt (Refer to 7 - COOLING/ACCESSORY DRIVE/BELTS-DRIVE - INSTALLATION).

(8) Lower the vehicle.

(9) Replace the receiver/drier if the A/C compressor is being replaced due to an internal failure (Refer to 24 - HEATING & AIR CONDITIONING/PLUMBING/RECEIVER/DRIER - REMOVAL) and (Refer to 24 - HEATING & AIR CONDITIONING/PLUMBING/RECEIVER/DRIER - INSTALLATION).

(10) Reconnect the negative battery cable.

(11) Evacuate the refrigerant system (Refer to 24 - HEATING & AIR CONDITIONING/PLUMBING - STANDARD PROCEDURE - REFRIGERANT SYSTEM EVACUATE).

(12) Charge the refrigerant system (Refer to 24 - HEATING & AIR CONDITIONING/PLUMBING - STANDARD PROCEDURE - REFRIGERANT SYSTEM CHARGE).

A / C CONDENSER

DESCRIPTION

The condenser is located in the air flow in front of the engine cooling radiator. The condenser is a heat exchanger that allows the high-pressure refrigerant gas being discharged by the compressor to give up its heat to the air passing over the condenser fins.

OPERATION

When the refrigerant gas gives up its heat, it condenses. When the refrigerant leaves the condenser, it has become a high-pressure liquid refrigerant. The volume of air flowing over the condenser fins is critical to the proper cooling performance of the air conditioning system. Therefore, it is important that

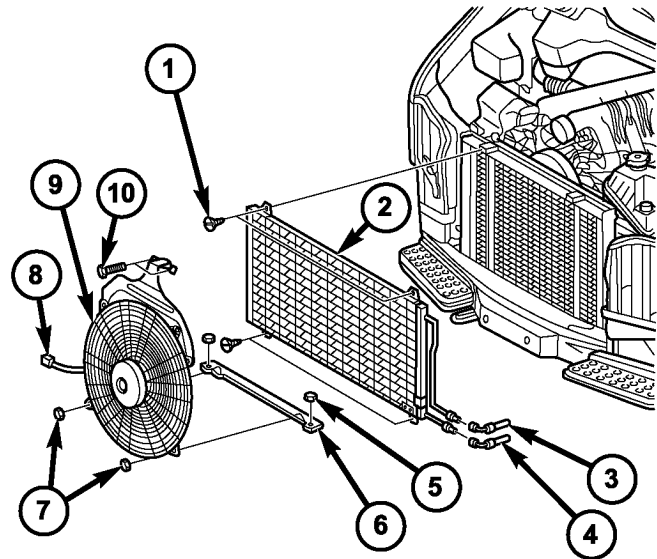
there are no objects placed in front of the radiator grille openings in the front of the vehicle or foreign material on the condenser fins that might obstruct proper air flow. Also, any factory-installed air seals or shrouds must be properly reinstalled following radiator or condenser service.

The condenser cannot be repaired and, if faulty or damaged, it must be replaced.

REMOVAL

WARNING: Refer to the applicable warnings and cautions for this system before performing the following operation (Refer to 24 - HEATING & AIR CONDITIONING/PLUMBING - WARNINGS) and (Refer to 24 - HEATING & AIR CONDITIONING/PLUMBING - CAUTIONS). Failure to follow the warnings and cautions could result in possible personal injury or death.

- (1) Disconnect and isolate the negative battery cable.
- (2) Recover the refrigerant from the refrigerant system (Refer to 24 - HEATING & AIR CONDITIONING/PLUMBING - STANDARD PROCEDURE - REFRIGERANT SYSTEM RECOVERY).
- (3) Remove the front fascia.
- (4) Remove the grille (Refer to 23 - BODY/EXTERIOR/GRILLE - REMOVAL).
- (5) Remove the headlamps from their mounts.
- (6) Remove the radiator crossmember (Refer to 23 - BODY/EXTERIOR/RADIATOR CROSSMEMBER - REMOVAL).
- (7) Disconnect the A/C discharge and liquid lines from the A/C condenser and remove and discard the O-ring seals (Fig. 6).
- (8) Install plug in, or tape over the opened liquid line fitting and the condenser ports.
- (9) Disconnect the wire harness connector from the auxiliary fan.
- (10) Remove the auxiliary fan and upper bracket assembly.
- (11) Remove the auxiliary fan lower bracket retainers and bracket.
- (12) Remove the four condenser retaining screws.
- (13) Carefully remove the condenser from the vehicle.



81133502

Fig. 6 A/C Condenser

- 1 - SCREW (4)
- 2 - CONDENSER
- 3 - LIQUID REFRIGERANT LINE
- 4 - COMPRESSOR DISCHARGE LINE
- 5 - NUT (2)
- 6 - LOWER AUXILIARY FAN BRACKET
- 7 - NUT (2)
- 8 - WIRE HARNESS CONNECTOR
- 9 - AUXILIARY COOLING FAN
- 10 - SCREW (2)

INSTALLATION

NOTE: If the A/C condenser is being replaced, add 30 milliliters (1 fluid ounce) of refrigerant oil to the refrigerant system. Use only refrigerant oil of the type recommended for the A/C compressor in the vehicle.

- (1) Carefully position the A/C condenser into the engine compartment.
- (2) Install the four screws that secure the A/C condenser. Tighten the screws to 2 N·m (17 in. lbs.).
- (3) Install the lower auxiliary fan bracket and retaining nuts. Tighten the nuts to 5 N·m (45 in. lbs.).
- (4) Install the auxiliary fan and upper bracket assembly. Tighten the screws to 5 N·m (45 in. lbs.).
- (5) Connect the wire harness connector to the auxiliary fan.
- (6) Remove the tape or plug from the condenser ports and the opened refrigerant line fittings.
- (7) Lubricate a new rubber O-ring seal with clean refrigerant oil and install it on the refrigerant line fittings.
- (8) Connect the A/C discharge and liquid lines to the A/C condenser.

(9) Install the nuts that secure the A/C discharge and liquid lines to the A/C condenser. Tighten the nuts to 33 N·m (24 ft. lbs.).

(10) Install the radiator crossmember (Refer to 23 - BODY/EXTERIOR/RADIATOR CROSSMEMBER - INSTALLATION).

(11) Install the headlamps into their mounts.

(12) Install the grille (Refer to 23 - BODY/EXTERIOR/GRILLE - INSTALLATION).

(13) Install the front fascia.

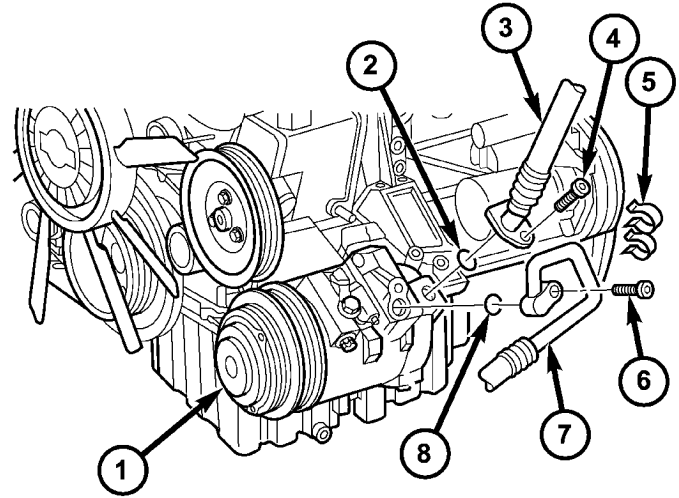
(14) Reconnect the negative battery cable.

(15) Evacuate the refrigerant system (Refer to 24 - HEATING & AIR CONDITIONING/PLUMBING - STANDARD PROCEDURE - REFRIGERANT SYSTEM EVACUATE).

(16) Recharge the refrigerant system (Refer to 24 - HEATING & AIR CONDITIONING/PLUMBING - STANDARD PROCEDURE - REFRIGERANT SYSTEM CHARGE).

(11) Install plug in, or tape over the opened discharge line fitting and the compressor discharge port.

(12) Disconnect the discharge line from the retaining clip and remove the discharge line from the vehicle.



A / C DISCHARGE LINE

REMOVAL

WARNING: Refer to the applicable warnings and cautions for this system before performing the following operation (Refer to 24 - HEATING & AIR CONDITIONING/PLUMBING - WARNINGS) and (Refer to 24 - HEATING & AIR CONDITIONING/PLUMBING - CAUTIONS). Failure to follow the warnings and cautions could result in possible personal injury or death.

(1) Disconnect and isolate the negative battery cable.

(2) Recover the refrigerant from the refrigerant system (Refer to 24 - HEATING & AIR CONDITIONING/PLUMBING - STANDARD PROCEDURE - REFRIGERANT RECOVERY).

(3) Remove the grille (Refer to 23 - BODY/EXTERIOR/GRILLE - REMOVAL).

(4) Remove the nut that secures the discharge line fitting to the condenser on the left side of the condenser.

(5) Disconnect the discharge line fitting from the condenser inlet port.

(6) Remove the seal from the discharge line fitting and discard.

(7) Install plug in, or tape over the opened discharge line fitting and the condenser inlet port.

(8) Remove the bolt that secures the discharge line fitting to the top of the compressor (Fig. 7).

(9) Disconnect the discharge line fitting from the compressor discharge port.

(10) Remove the seal from the discharge line fitting and discard.

81136df5

Fig. 7 A/C Compressor - Refrigerant Lines

- 1 - A/C COMPRESSOR
- 2 - O-RING SEAL
- 3 - A/C SUCTION LINE
- 4 - BOLT
- 5 - RETAINING CLIP
- 6 - BOLT
- 7 - A/C DISCHARGE LINE
- 8 - O-RING SEAL

INSTALLATION

Any kinks or sharp bends in the refrigerant plumbing will reduce the capacity of the entire air conditioning system. Kinks and sharp bends reduce the flow of refrigerant in the system. A good rule for the flexible hose refrigerant lines is to keep the radius of all bends at least ten times the diameter of the hose. In addition, the flexible hose refrigerant lines should be routed so they are at least 80 millimeters (3 inches) from the exhaust manifold.

(1) Position the discharge line into the engine compartment.

(2) Remove the tape or plugs from the compressor discharge port and the discharge line fitting.

(3) Lubricate a new rubber O-ring seal with clean refrigerant oil and install it on the discharge line fitting.

(4) Connect the discharge line fitting to the compressor discharge port on the top of the compressor.

(5) Install the bolt that secures the discharge line fitting to the compressor. Tighten the bolt to 23 N·m (17 ft. lbs.).

(6) Remove the tape or plugs from the condenser inlet port and the discharge line fitting.

(7) Lubricate a new rubber O-ring seal with clean refrigerant oil and install it on the discharge line fitting.

(8) Connect the discharge line fitting to the condenser inlet port.

(9) Install the nut that secures the discharge line fitting to the condenser. Tighten the nut to 33 N·m (24 ft. lbs.).

(10) Install the grille (Refer to 23 - BODY/EXTERIOR/GRILLE - INSTALLATION).

(11) Evacuate the refrigerant system. (Refer to 24 - HEATING & AIR CONDITIONING/PLUMBING - STANDARD PROCEDURE - REFRIGERANT SYSTEM EVACUATE)

(12) Charge the refrigerant system. (Refer to 24 - HEATING & AIR CONDITIONING/PLUMBING - STANDARD PROCEDURE - REFRIGERANT SYSTEM CHARGE)

(13) Reconnect the negative battery cable.

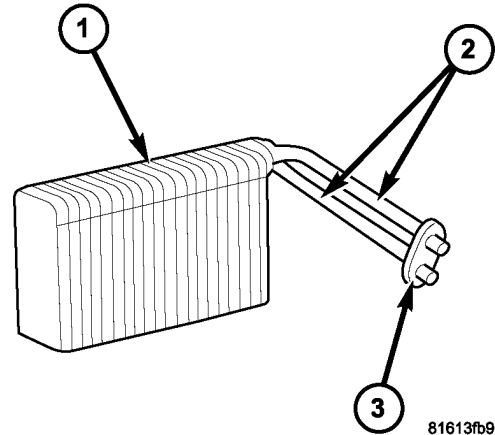


Fig. 8 Front A/C Evaporator

- 1 - A/C EVAPORATOR
- 2 - EVAPORATOR TUBES
- 3 - TAPPING BLOCK

A / C EVAPORATOR

DESCRIPTION

The A/C evaporator for the heating-A/C system is located within the HVAC housing, behind the instrument panel (Fig. 8). The A/C evaporator is positioned within the HVAC housing so that all air entering the housing must pass over the evaporator fins before it is distributed through the heating-A/C system ducts and outlets. However, air passing over the evaporator fins will only be conditioned when the A/C compressor is engaged and circulating refrigerant through the A/C evaporator.

The A/C evaporator tubes are connected and sealed to the A/C expansion valve by use of rubber O-rings and a tapping block.

The A/C evaporator is serviced by removing and disassembling the HVAC housing.

OPERATION

Refrigerant enters the evaporator from the expansion valve as a low-temperature, low-pressure liquid. As air flows over the fins of the evaporator, the humidity in the air condenses on the fins, and the heat from the air is absorbed by the refrigerant. Heat absorption causes the refrigerant to boil and vaporize. The refrigerant becomes a low-pressure gas before it leaves the evaporator.

The evaporator cannot be repaired and, if faulty or damaged, it must be replaced.

REMOVAL

WARNING: To avoid personal injury or death, on vehicles equipped with airbags, disable the supplemental restraint system before attempting any steering wheel, steering column, airbag, seat belt tensioner, impact sensor, or instrument panel component diagnosis or service. Disconnect and isolate the battery negative (ground) cable, then wait two minutes for the system capacitor to discharge before performing further diagnosis or service. This is the only sure way to disable the supplemental restraint system. Failure to take the proper precautions could result in accidental airbag deployment.

WARNING: Refer to the applicable warnings and cautions for this system before performing the following operation (Refer to 24 - HEATING & AIR CONDITIONING/PLUMBING - WARNINGS) and (Refer to 24 - HEATING & AIR CONDITIONING/PLUMBING - CAUTIONS). Failure to follow the warnings and cautions could result in possible personal injury or death.

- (1) Remove the HVAC housing (Refer to 24 - HEATING & AIR CONDITIONING/DISTRIBUTION/HVAC HOUSING - REMOVAL).
- (2) Disassemble the HVAC housing to access the A/C evaporator (Refer to 24 - HEATING & AIR CONDITIONING/DISTRIBUTION/HVAC HOUSING - DISASSEMBLY).
- (3) Lift the A/C evaporator out of the lower half of the HVAC housing (Fig. 9).

type recommended for the A/C compressor in the vehicle.

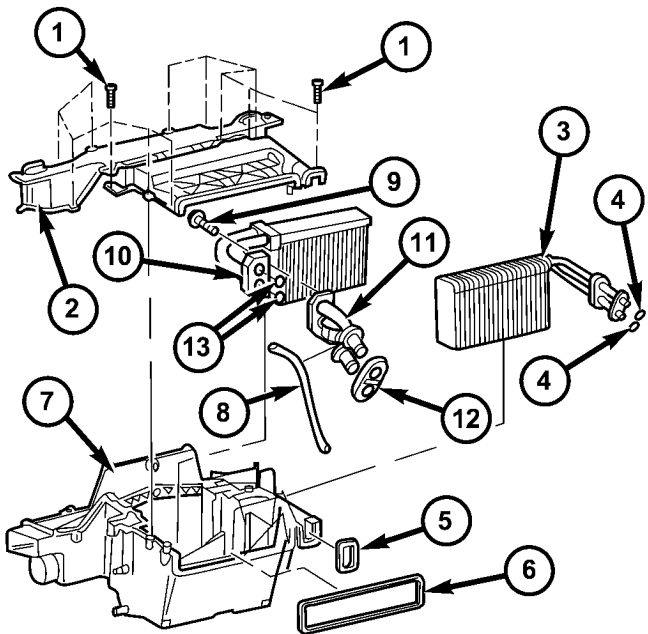
- (1) Install the A/C evaporator into the lower half of the HVAC housing.
- (2) Assemble the HVAC housing (Refer to 24 - HEATING & AIR CONDITIONING/DISTRIBUTION/HVAC HOUSING - ASSEMBLY).
- (3) Install the HVAC housing (Refer to 24 - HEATING & AIR CONDITIONING/DISTRIBUTION/HVAC HOUSING - INSTALLATION).

A / C EXPANSION VALVE

DESCRIPTION

The A/C expansion valve controls the amount of refrigerant entering the A/C evaporator and is of a thermostatic expansion valve (TXV) design (Fig. 10). The A/C expansion valve consists of an aluminum H-valve type body with an integral thermal sensor.

The A/C expansion valve is located at the dash panel between the A/C refrigerant lines and the A/C evaporator.



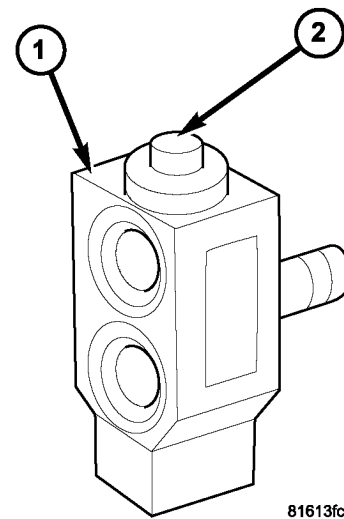
811303a1

Fig. 9 HVAC Housing

- 1 - SCREW (12)
- 2 - UPPER HOUSING
- 3 - A/C EVAPORATOR
- 4 - EVAPORATOR O-RING SEAL (2)
- 5 - EVAPORATOR GASKET
- 6 - VENTILATION HOUSING GASKET
- 7 - LOWER HOUSING
- 8 - WIRING HARNESS
- 9 - BOLT (3)
- 10 - HEATER CORE
- 11 - HEATER CORE TUBE ASSEMBLY
- 12 - HEATER CORE TUBE GASKET
- 13 - HEATER CORE TUBE O-RING SEAL (2)

INSTALLATION

NOTE: If the A/C evaporator is being replaced, add 60 milliliters (2 fluid ounces) of refrigerant oil to the refrigerant system. Use only refrigerant oil of the



81613fcd

Fig. 10 Front A/C Expansion Valve

- 1 - A/C EXPANSION VALVE
- 2 - THERMAL SENSOR

OPERATION

High-pressure, high temperature liquid refrigerant from the liquid line passes through the expansion valve orifice, converting it into a low-pressure, low-temperature mixture of liquid and gas before it enters the A/C evaporator. A thermal sensor in the A/C expansion valve monitors the temperature of the refrigerant leaving the A/C evaporator and adjusts the orifice size at the evaporator inlet to allow the proper amount of refrigerant into the A/C evaporator

in order to meet vehicle cooling requirements. Controlling the refrigerant flow through the A/C evaporator ensures that none of the refrigerant leaving the evaporator is still in a liquid state, which could cause damage to the A/C compressor.

The A/C expansion valve is factory calibrated and cannot be adjusted or repaired and, if faulty or damaged, it must be replaced.

DIAGNOSIS AND TESTING

A / C EXPANSION VALVE

The A/C expansion valve is located on the engine side of the dash panel near the shock tower.

The A/C expansion valve can fail in three different positions (open, closed or restricted).

In an Open Position: this will result in a noisy A/C compressor or no cooling. The cause can be broken spring, broken ball or excessive moisture in the A/C system. If the spring or ball are found to be defective, replace the A/C expansion valve. If excessive moisture is found in the A/C system, recycle the refrigerant.

In a Closed Position: There will be low suction pressure and no cooling. This may be caused by a failed power dome or excessive moisture in the A/C system. If the power dome on the A/C expansion valve is found to be defective replace the A/C expansion valve. If excessive moisture is found recycle the refrigerant.

A Restricted Orifice: There will be low suction pressure and no cooling. This may be caused by debris in the refrigerant system. If debris is believed to be the cause, recycle the refrigerant and replace the A/C expansion valve and the receiver-drier.

REMOVAL

WARNING: Refer to the applicable warnings and cautions for this system before performing the following operation (Refer to 24 - HEATING & AIR CONDITIONING/PLUMBING - WARNINGS) and (Refer to 24 - HEATING & AIR CONDITIONING/PLUMBING - CAUTIONS). Failure to follow the warnings and cautions could result in possible personal injury or death.

(1) Recover the refrigerant from the A/C system (Refer to 24 - HEATING & AIR CONDITIONING/PLUMBING - STANDARD PROCEDURE - REFRIGERANT SYSTEM RECOVERY).

(2) Disconnect and isolate the negative battery cable.

(3) Remove the nut that secures the suction and liquid line fittings to the stud on the A/C expansion valve (Fig. 11).

(4) Disconnect the suction and liquid lines from the expansion valve.

(5) Remove the seals from the suction and liquid line fitting and discard.

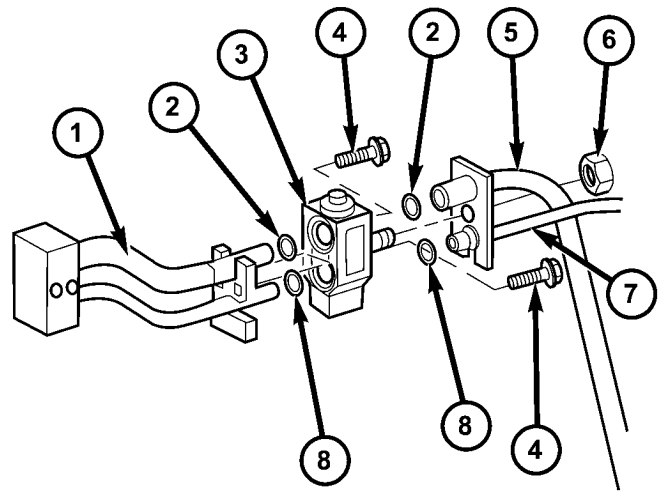
(6) Install plugs in, or tape over the opened liquid and suction line fittings and both expansion valve ports.

(7) Remove the two bolts that secure the expansion valve to the evaporator tube tapping plate.

(8) Remove the expansion valve from the evaporator tube tapping plate.

(9) Remove the seals from the evaporator inlet and outlet tube fittings and discard.

(10) Install plugs in, or tape over the opened evaporator inlet and outlet tube fittings and both expansion valve ports.



8113732f

Fig. 11 A/C Expansion Valve

- 1 - EVAPORATOR TUBE TAPPING PLATE
- 2 - O-RING SEAL (2)
- 3 - A/C EXPANSION VALVE
- 4 - BOLT (2)
- 5 - A/C SUCTION LINE
- 6 - NUT
- 7 - A/C LIQUID LINE
- 8 - O-RING SEAL (2)

INSTALLATION

(1) Remove the tape or plugs from the tapping plate evaporator inlet and outlet tube fittings and both ports on the back of the A/C expansion valve.

(2) Lubricate new rubber O-ring seals with clean refrigerant oil and install them on the tapping plate evaporator inlet and outlet tube fittings.

(3) Position the A/C expansion valve onto the tapping plate evaporator inlet and outlet tube fittings.

(4) Install the two bolts that secure the A/C expansion valve to the evaporator tube tapping plate. Tighten the bolts to 5 N·m (45 in. lbs.).

(5) Remove the tape or plugs from the liquid and suction line fittings and both expansion valve ports.

(6) Lubricate new rubber O-ring seals with clean refrigerant oil and install them on the liquid and suction line fittings.

(7) Connect the liquid line fitting to the A/C expansion valve.

(8) Connect the suction line fitting to the A/C expansion valve.

(9) Install the nut that secures the suction line and liquid line fittings to the stud on the A/C expansion valve. Tighten the nut to 10 N·m (89 in. lbs.).

(10) Reconnect the negative battery cable.

(11) Evacuate the refrigerant system (Refer to 24 - HEATING & AIR CONDITIONING/PLUMBING - STANDARD PROCEDURE - REFRIGERANT SYSTEM EVACUATE).

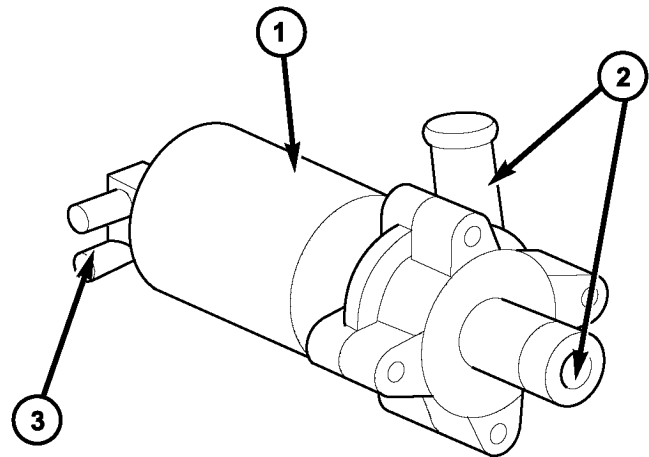
(12) Charge the refrigerant system (Refer to 24 - HEATING & AIR CONDITIONING/PLUMBING - STANDARD PROCEDURE - REFRIGERANT SYSTEM CHARGE).

ELECTRIC COOLANT PUMP

DESCRIPTION

The electric coolant pump ensures the uniform flow of coolant through the heater core without bubbles, even at low speeds (Fig. 12). The electric coolant pump is located in the left side of the engine compartment near the battery and is controlled by the A/C-heater control.

The electric coolant pump housing contains two coolant hose connections and an electric motor which drives the vane-type pump using a magnetic clutch.



81608cbc

Fig. 12 Electric Coolant Pump

- 1 - ELECTRIC COOLANT PUMP
- 2 - COOLANT HOSE CONNECTIONS
- 3 - WIRE CONNECTOR

OPERATION

The electric coolant pump is controlled by the ATC A/C-heater control and is only operational when the ignition switch is on under the following conditions:

- (1) Vehicle speed below 27 Km/h (17 mph).
- (2) Coolant temperature above 65° C (150° F) but less than 110° C (230 ° F).
- (3) Any blower motor speed setting.
- (4) Temperature heat setting above the halfway setting (60% heat).
- (5) The pump will turn off at speeds above 48 Km/h (30 mph).
- (6) The pump will turn off if the coolant temperature rises above 110° C (230 ° F).

REMOVAL

- (1) Disconnect and isolate the negative battery cable.
- (2) Partially drain the engine cooling system (Refer to 7 - COOLING/ENGINE/COOLANT - STANDARD PROCEDURE - DRAINING COOLANT SYSTEM).
- (3) Disconnect the wire harness connector from the electric coolant pump (Fig. 13).
- (4) Loosen both hose clamps from the electric coolant pump.
- (5) Using a twisting motion gently remove both heater hoses from the electric coolant pump.
- (6) Remove the two electric coolant pump bracket retaining nuts from the body studs.
- (7) Remove the electric coolant pump from the vehicle.

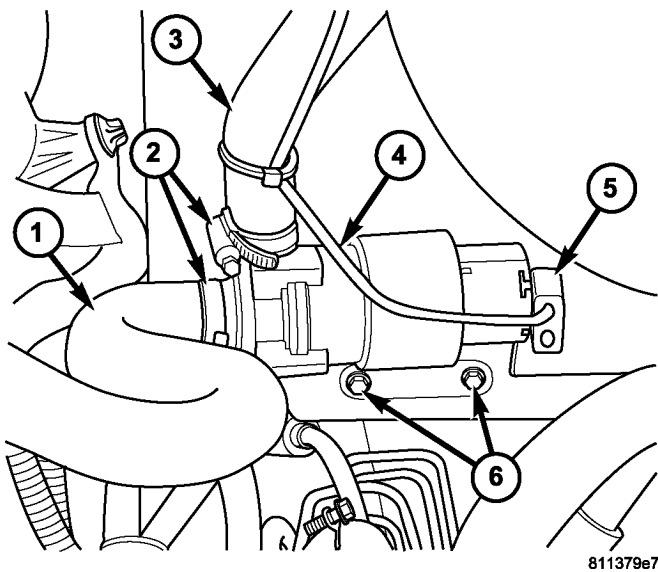


Fig. 13 Electric Coolant Pump

- 1 - HEATER HOSE
- 2 - HOSE CLAMP (2)
- 3 - HEATER HOSE
- 4 - ELECTRIC COOLANT PUMP
- 5 - WIRE HARNESS CONNECTOR
- 6 - NUT (2)

INSTALLATION

- (1) Install the electric coolant pump and mounting bracket onto the body studs.
- (2) Install the two bracket retaining nuts. Tighten the nuts to 5 N·m (45 in. lbs.).
- (3) Using a twisting motion gently install both hoses onto the electric coolant pump.
- (4) Tighten both hose clamps securely.
- (5) Connect the wire harness connector to the electric coolant pump.
- (6) Reconnect the negative battery cable.
- (7) Fill the engine cooling system (Refer to 7 - COOLING/ENGINE/COOLANT - STANDARD PROCEDURE - COOLING SYSTEM FILL).

HEATER CORE

DESCRIPTION

The heater core is mounted into the HVAC housing, located behind the instrument panel (Fig. 14). The heater core is a heat exchanger made of rows of tubes and fins. The heater core tubes are attached to the heater core by using O-ring seals and bolts.

The heater core is serviced by removing and disassembling the HVAC housing.

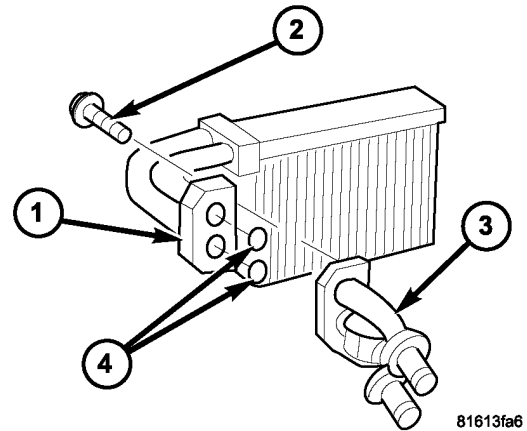


Fig. 14 Front Heater Core

- 1 - HEATER CORE
- 2 - BOLT (3)
- 3 - HEATER CORE TUBES
- 4 - O-RING SEALS

OPERATION

Engine coolant is circulated through the heater hoses to the heater core whenever the heater water valve is cycled open by the ATC A/C-heater control. As the coolant flows through the heater core, heat removed from the engine is transferred to the heater core fins and tubes. Air directed through the heater core picks up the heat from the heater core fins. The heater water valve controls the heater output air temperature by controlling the amount of heated engine coolant flowing through the heater core. The blower motor speed controls the volume of air flowing through the HVAC housing.

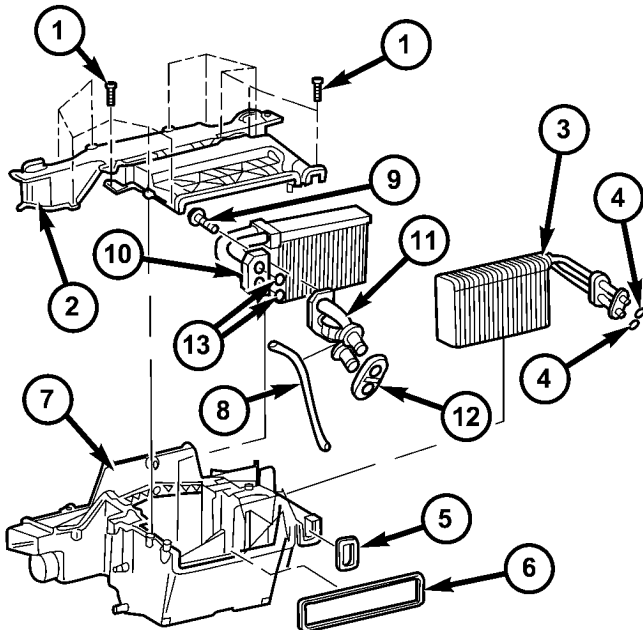
The heater core cannot be repaired and, if faulty or damaged, it must be replaced.

REMOVAL

WARNING: To avoid personal injury or death, on vehicles equipped with airbags, disable the supplemental restraint system before attempting any steering wheel, steering column, airbag, seat belt tensioner, impact sensor, or instrument panel component diagnosis or service. Disconnect and isolate the battery negative (ground) cable, then wait two minutes for the system capacitor to discharge before performing further diagnosis or service. This is the only sure way to disable the supplemental restraint system. Failure to take the proper precautions could result in accidental airbag deployment.

WARNING: Refer to the applicable warnings and cautions for this system before performing the following operation (Refer to 24 - HEATING & AIR CONDITIONING/PLUMBING - WARNINGS) and (Refer to 24 - HEATING & AIR CONDITIONING/PLUMBING - CAUTIONS). Failure to follow the warnings and cautions could result in possible personal injury or death.

- (1) Remove the heater housing (Refer to 24 - HEATING & AIR CONDITIONING/DISTRIBUTION/HVAC HOUSING - REMOVAL).
- (2) Disassemble the HVAC housing to access the heater core (Refer to 24 - HEATING & AIR CONDITIONING/DISTRIBUTION/HVAC HOUSING - DIS-ASSEMBLY).
- (3) Lift the heater core out of the lower half of the HVACr housing (Fig. 15).
- (4) If necessary, remove the three heater core tube retaining bolts and the heater core tube assembly from the heater core.
- (5) Remove the heater core tube seals and discard as required.



811303a1

Fig. 15 HVAC Housing

- 1 - SCREW (12)
- 2 - UPPER HOUSING
- 3 - A/C EVAPORATOR
- 4 - EVAPORATOR O-RING SEAL (2)
- 5 - EVAPORATOR GASKET
- 6 - VENTILATION HOUSING GASKET
- 7 - LOWER HOUSING
- 8 - WIRING HARNESS
- 9 - BOLT (3)
- 10 - HEATER CORE
- 11 - HEATER CORE TUBE ASSEMBLY
- 12 - HEATER CORE TUBE GASKET
- 13 - HEATER CORE TUBE O-RING SEAL (2)

INSTALLATION

- (1) If the heater core tube assembly was removed from the heater core, lubricate two new rubber O-ring seals with clean engine coolant and install them onto the heater core fitting.
 - (2) If required, connect the heater core tube assembly to the heater core and install the three retaining bolts. Tighten the bolts to 5 N·m (45 in. lbs.).
 - (3) Install the heater core into the bottom half of the HVAC housing.
 - (4) Assemble the HVAC housing (Refer to 24 - HEATING & AIR CONDITIONING/DISTRIBUTION/HVAC HOUSING - ASSEMBLY).
- NOTE:** If the heater core is being replaced, flush the cooling system (Refer to 7 - COOLING - STANDARD PROCEDURE - COOLING SYSTEM CLEANING/REVERSE FLUSHING).
- (5) Install the HVAC housing (Refer to 24 - HEATING & AIR CONDITIONING/DISTRIBUTION/HVAC HOUSING - INSTALLATION).

LIQUID LINE

REMOVAL

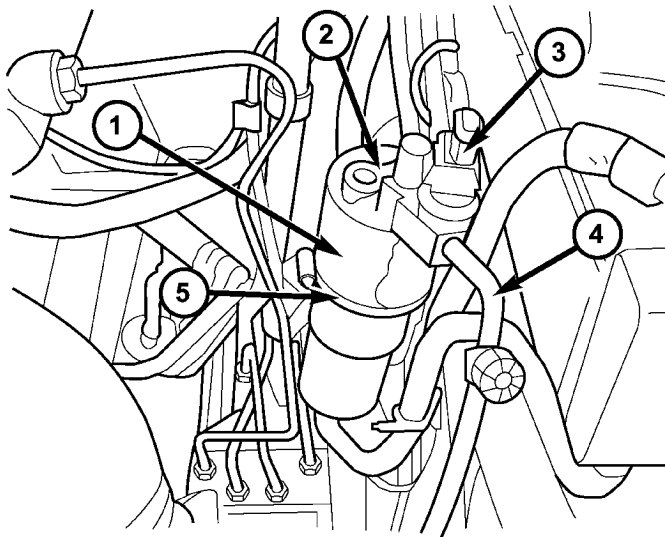
WARNING: Refer to the applicable warnings and cautions for this system before performing the following operation (Refer to 24 - HEATING & AIR CONDITIONING/PLUMBING - WARNINGS) and (Refer to 24 - HEATING & AIR CONDITIONING/PLUMBING - CAUTIONS). Failure to follow the warnings and cautions could result in possible personal injury or death.

NOTE: The A/C liquid line is serviced in two sections. The front section connects between the A/C condenser and the receiver/drier and includes the high side service port and the A/C pressure sensor on the fitting for the receiver/drier. The rear section connects between the receiver/drier and the A/C expansion valve.

FRONT SECTION

- (1) Recover the refrigerant from the refrigerant system (Refer to 24 - HEATING & AIR CONDITIONING/PLUMBING - STANDARD PROCEDURE - REFRIGERANT SYSTEM RECOVERY).
- (2) Disconnect and isolate the negative battery cable.
- (3) Remove the grille (Refer to 23 - BODY/EXTERIOR/GRILLE - REMOVAL).

- (4) Remove the nut that secures the A/C liquid line to the A/C condenser.
- (5) Disconnect the A/C liquid line to the A/C condenser and remove and discard the O-ring seal.
- (6) Install plug in, or tape over the opened liquid line fitting and the condenser outlet port.
- (7) Remove the routing clip retaining nut and disengage the routing clip retainer on top of the left frame rail from the front section of the liquid line.
- (8) Remove the A/C pressure sensor from the front liquid line fitting (Refer to 24 - HEATING & AIR CONDITIONING/CONTROLS/A/C PRESSURE TRANSDUCER - REMOVAL).
- (9) Remove the bolt that secures the front section of the liquid line to the top of the receiver/drier (Fig. 16).
- (10) Disconnect the front section of the liquid line from the receiver/drier and remove and discard the O-ring seal.
- (11) Install plug in, or tape over the opened liquid line fitting and the receiver/drier inlet port.
- (12) Remove the front section of the A/C liquid line from the engine compartment.



811385f4

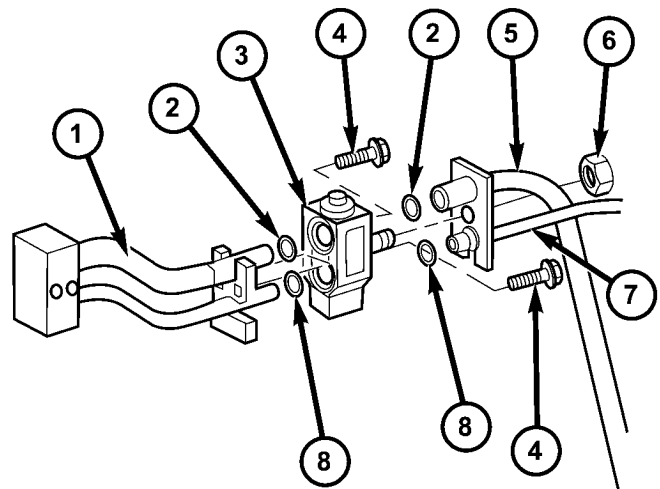
Fig. 16 Receiver-Drier

- 1 - RECEIVER/DRIER
- 2 - A/C LIQUID LINE (REAR SECTION)
- 3 - A/C PRESSURE TRANSDUCER
- 4 - A/C LIQUID LINE (FRONT SECTION)
- 5 - CLAMP

REAR SECTION

- (1) Recover the refrigerant from the refrigerant system (Refer to 24 - HEATING & AIR CONDITIONING/PLUMBING/REFRIGERANT - STANDARD PROCEDURE - REFRIGERANT SYSTEM RECOVERY).
- (2) Disconnect and isolate the negative battery cable.
- (3) Remove the grille (Refer to 23 - BODY/EXTERIOR/GRILLE - REMOVAL).

- (4) Remove the nut that secures the A/C suction and liquid lines to the stud on the A/C expansion valve (Fig. 17).
- (5) Disconnect the A/C suction and liquid lines from the A/C expansion valve and remove and discard the O-ring seals.
- (6) Disengage the routing clip retainer from the rear section of the A/C liquid line.



8113732f

Fig. 17 A/C Expansion Valve

- 1 - EVAPORATOR TUBE TAPPING PLATE
- 2 - O-RING SEAL (2)
- 3 - A/C EXPANSION VALVE
- 4 - BOLT (2)
- 5 - A/C SUCTION LINE
- 6 - NUT
- 7 - A/C LIQUID LINE
- 8 - O-RING SEAL (2)

- (7) Remove the bolt that secures the rear section of the liquid line to the top of the receiver/drier (Fig. 16).
- (8) Disconnect the rear section of the liquid line from the receiver/drier.
- (9) Remove the seal from the liquid line fitting outlet port and discard.
- (10) Install plugs in, or tape over the opened liquid and suction line fittings, both receiver/drier ports and both expansion valve ports.
- (11) Remove the rear section of the liquid line from the engine compartment.

INSTALLATION

NOTE: The A/C liquid line is serviced in two sections. The front section connects between the A/C condenser and the receiver/drier and includes the high side service port and the A/C pressure transducer on the fitting for the receiver/drier. The rear section connects between the receiver/drier and the A/C expansion valve.

FRONT SECTION

- (1) Position the front section of the A/C liquid line into the engine compartment.
- (2) Remove the tape or plugs from the liquid line fitting and the receiver/drier inlet port.
- (3) Lubricate a new rubber O-ring seal with clean refrigerant oil and install it on the liquid line fitting.
- (4) Connect the front section of the liquid line to the receiver/drier.
- (5) Install the bolt that secures the liquid line fitting to the receiver/drier. Tighten the bolt to 7 N·m (62 in. lbs.).
- (6) Position the front section of the liquid line into the routing clip and install the routing clip onto the body stud on the left frame rail.
- (7) Install the routing clip retaining nut. Tighten the nut to 5 N·m (45 in. lbs.).
- (8) Remove the tape or plugs from the condenser outlet port and the liquid line fitting.
- (9) Lubricate a new O-ring seal with clean refrigerant oil and install it on the liquid line fitting.
- (10) Connect the liquid line fitting to the condenser outlet port on the right side of the condenser.
- (11) Install the nut that secures the liquid line fitting to the condenser. Tighten the nut to 17 N·m (12 ft. lbs.).
- (12) Reinstall the A/C pressure transducer (Refer to 24 - HEATING & AIR CONDITIONING/CONTROLS/A/C PRESSURE TRANSDUCER - INSTALLATION).
- (13) Install the grille (Refer to 23 - BODY/EXTERIOR/GRILLE - INSTALLATION).
- (14) Reconnect the battery negative cable.
- (15) Evacuate the refrigerant system (Refer to 24 - HEATING & AIR CONDITIONING/PLUMBING/REFRIGERANT - STANDARD PROCEDURE - REFRIGERANT SYSTEM EVACUATE).
- (16) Charge the refrigerant system (Refer to 24 - HEATING & AIR CONDITIONING/PLUMBING/REFRIGERANT - STANDARD PROCEDURE - REFRIGERANT SYSTEM CHARGE).

REAR SECTION

- (1) Position the rear section of the A/C liquid line into the engine compartment.

- (2) Remove the tape or plugs from the liquid and suction line fittings, the receiver/drier outlet port and both expansion valve ports.

- (3) Lubricate new rubber O-ring seals with clean refrigerant oil and install them onto the suction and liquid line fittings for the expansion valve.

- (4) Connect the liquid line and suction line fittings to the A/C expansion valve.

- (5) Install the nut that secures the suction line and liquid line fittings to the stud on the A/C expansion valve. Tighten the nut to 10 N·m (89 in. lbs.).

- (6) Lubricate new rubber O-ring seal with clean refrigerant oil and install it on the liquid line fitting.

- (7) Connect the liquid line fitting to the receiver/drier outlet port.

- (8) Install the bolt that secures the liquid line fitting to the receiver/drier. Tighten the bolt to 7 N·m (62 in. lbs.).

- (9) Install the routing clip retainer to the rear section of the liquid line.

- (10) Install the grille (Refer to 23 - BODY/EXTERIOR/GRILLE - INSTALLATION).

- (11) Reconnect the negative battery cable.

- (12) Evacuate the refrigerant system (Refer to 24 - HEATING & AIR CONDITIONING/PLUMBING/REFRIGERANT - STANDARD PROCEDURE - REFRIGERANT SYSTEM EVACUATE).

- (13) Charge the refrigerant system (Refer to 24 - HEATING & AIR CONDITIONING/PLUMBING/REFRIGERANT - STANDARD PROCEDURE - REFRIGERANT SYSTEM CHARGE).

RECEIVER / DRIER

DESCRIPTION

The receiver/drier is mounted in a bracket secured to the left front strut tower in the engine compartment. The receiver/drier is connected between the front and rear sections of the A/C liquid line between the condenser outlet and the evaporator inlet.

The receiver/drier cannot be repaired. If the receiver/drier is faulty or damaged, or if the refrigerant system has been contaminated or left open to the atmosphere for an indeterminable period or if the compressor has failed, it must be replaced.

OPERATION

The receiver/drier performs a filtering action to prevent foreign material in the refrigerant from contaminating the A/C expansion valve. Refrigerant enters the receiver/drier as a high-pressure, low temperature liquid. Desiccant inside the receiver/drier absorbs any moisture which may have entered and become trapped within the refrigerant system. In addition, during periods of high demand operation of the A/C system, the receiver/drier acts as a reservoir to store surplus refrigerant.

The receiver/drier cannot be repaired. If the receiver/drier is faulty or damaged, or if an internal failure of the A/C compressor has occurred, the receiver/drier must be replaced.

REMOVAL

WARNING: Refer to the applicable warnings and cautions for this system before performing the following operation (Refer to 24 - HEATING & AIR CONDITIONING/PLUMBING - WARNINGS) and (Refer to 24 - HEATING & AIR CONDITIONING/PLUMBING - CAUTIONS). Failure to follow the warnings and cautions could result in possible personal injury or death.

(1) Recover the refrigerant from the refrigerant system (Refer to 24 - HEATING & AIR CONDITIONING/PLUMBING - STANDARD PROCEDURE - REFRIGERANT SYSTEM RECOVERY).

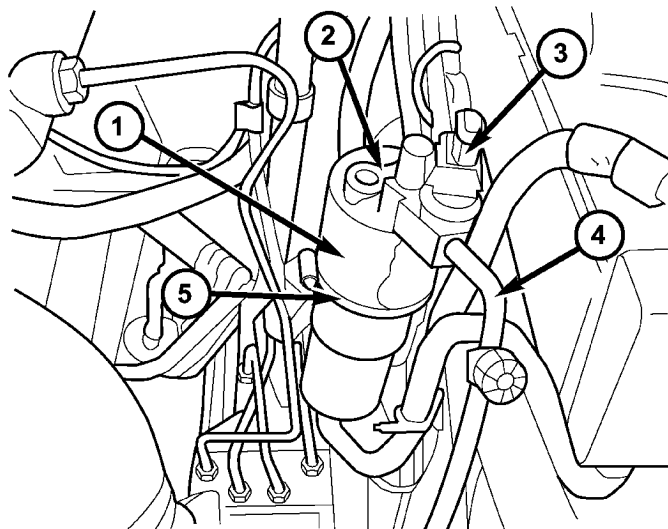
(2) Remove the bolts that secure the front and rear sections of the A/C liquid line to the top of the receiver/drier (Fig. 18).

(3) Disconnect the liquid line fittings from the receiver/drier and remove and discard the O-ring seals.

(4) Install a plug in, or tape over the opened liquid line fittings and the receiver/drier ports.

(5) Loosen the clamp that secures the receiver/drier to the mounting bracket.

(6) Remove the receiver/drier from the engine compartment.



81138514

Fig. 18 Receiver/Drier

- 1 - RECEIVER/DRIER
- 2 - A/C LIQUID LINE (REAR SECTION)
- 3 - A/C PRESSURE TRANSDUCER
- 4 - A/C LIQUID LINE (FRONT SECTION)
- 5 - CLAMP

INSTALLATION

NOTE: If the receiver/drier is being replaced, add 30 milliliters (1 fluid ounce) of refrigerant oil to the refrigerant system. Use only refrigerant oil of the type recommended for the A/C compressor in the vehicle.

(1) Position the receiver/drier onto the mounting bracket on the front left strut tower.

(2) Tighten the clamp that secures the receiver/drier to the mounting bracket.

(3) Remove the tape or plugs from the liquid line fittings and the receiver/drier ports.

(4) Lubricate new rubber O-ring seals with clean refrigerant oil and install them on the liquid line fittings.

(5) Connect the front and rear sections of the liquid line to the receiver/drier.

(6) Install the bolts that secures the liquid line fittings to the receiver/drier. Tighten the bolts to 7 N·m (62 in. lbs.).

(7) Evacuate the refrigerant system (Refer to 24 - HEATING & AIR CONDITIONING/PLUMBING - STANDARD PROCEDURE - REFRIGERANT SYSTEM EVACUATE).

(8) Charge the refrigerant system (Refer to 24 - HEATING & AIR CONDITIONING/PLUMBING - STANDARD PROCEDURE - REFRIGERANT SYSTEM CHARGE).

REFRIGERANT

DESCRIPTION

The refrigerant used in this air conditioning system is a HydroFluoroCarbon (HFC), type R-134a. Unlike R-12, which is a ChloroFluoroCarbon (CFC), R-134a refrigerant does not contain ozone-depleting chlorine. R-134a refrigerant is a non-toxic, non-flammable, clear, and colorless liquefied gas.

Even though R-134a does not contain chlorine, it must be reclaimed and recycled just like CFC-type refrigerants. This is because R-134a is a greenhouse gas and can contribute to global warming.

OPERATION

R-134a refrigerant is not compatible with R-12 refrigerant in an air conditioning system. Even a small amount of R-12 added to an R-134a refrigerant system will cause compressor failure, refrigerant oil sludge or poor air conditioning system performance. In addition, the PolyAlkylene Glycol (PAG) synthetic refrigerant oils used in an R-134a refrigerant system are not compatible with the mineral-based refrigerant oils used in an R-12 refrigerant system.

R-134a refrigerant system service ports, service tool couplers and refrigerant dispensing bottles have

all been designed with unique fittings to ensure that an R-134a system is not accidentally contaminated with the wrong refrigerant (R-12). There are also labels posted in the engine compartment of the vehicle and on the compressor identifying to service technicians that the air conditioning system is equipped with R-134a.

REFRIGERANT OIL

DESCRIPTION

The refrigerant oil used in R-134a refrigerant systems is a synthetic-based, PolyAlkylene Glycol (PAG), wax-free lubricant. Mineral-based R-12 refrigerant oils are not compatible with PAG oils, and should never be introduced to an R-134a refrigerant system.

There are different PAG oils available, and each contains a different additive package. The A/C compressors for this vehicle are designed to use an ND-8 PAG refrigerant oil. Use only the refrigerant oil of this type to service the refrigerant system.

OPERATION

After performing any refrigerant recovery or recycling operation, always replenish the refrigerant system with the same amount of the recommended refrigerant oil as was removed. Too little refrigerant oil can cause compressor damage, and too much can reduce air conditioning system performance.

PAG refrigerant oil is much more hygroscopic than mineral oil, and will absorb any moisture it comes into contact with, even moisture in the air. The PAG oil container should always be kept tightly capped until it is ready to be used. After use, recap the oil container immediately to prevent moisture contamination.

STANDARD PROCEDURE

REFRIGERANT OIL LEVEL

When an A/C system is assembled at the factory, all components except the compressor are refrigerant oil free. After the refrigerant system has been charged and operated, the refrigerant oil in the compressor is dispersed throughout the refrigerant system. The receiver-drier, evaporator, condenser, and compressor will each retain a significant amount of the needed refrigerant oil.

It is important to have the correct amount of oil in the refrigerant system. This ensures proper lubrication of the A/C compressor. Too little oil will result in damage to the A/C compressor. Too much oil will reduce the cooling capacity of the A/C system.

It will not be necessary to check the oil level in the A/C compressor or to add oil, unless there has been an oil loss. An oil loss may occur due to a rupture or

leak from a refrigerant line, a connector fitting, a component, or a component seal. If a leak occurs, add 30 milliliters (1 fluid ounce) of refrigerant oil to the refrigerant system after the repair has been made. Refrigerant oil loss will be evident at the leak point by the presence of a wet, shiny surface around the leak.

Refrigerant oil must be added when a receiver/drier, A/C evaporator, or A/C condenser are replaced. See the Refrigerant Oil Capacities chart. When an A/C compressor is replaced, the refrigerant oil must be drained from the old compressor and measured. Drain all of the refrigerant oil from the new compressor, then fill the new compressor with the same amount of refrigerant oil that was drained out of the old compressor.

REFRIGERANT OIL CAPACITIES

Component	ml	fl oz
Total A/C System Fill	410	13.9
Receiver/Drier	30	1.0
A/C Condenser	30	1.0
A/C Evaporator	60	2.0
A/C Compressor	Drain and measure the oil from the old compressor - see text.	

SUCTION LINE

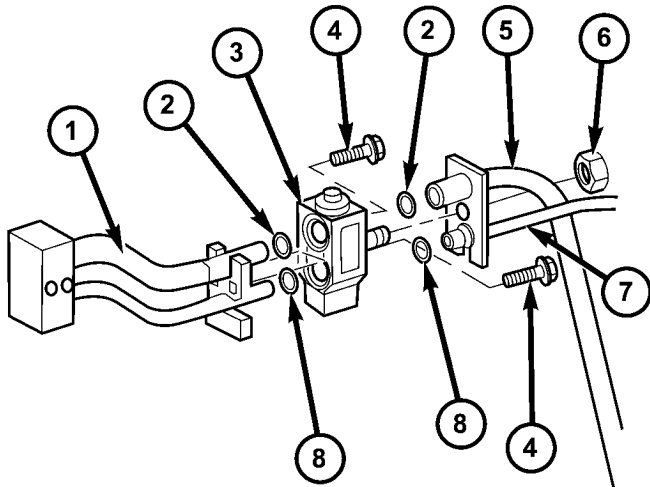
REMOVAL

WARNING: Refer to the applicable warnings and cautions for this system before performing the following operation (Refer to 24 - HEATING & AIR CONDITIONING/PLUMBING - WARNINGS) and (Refer to 24 - HEATING & AIR CONDITIONING/PLUMBING - CAUTIONS). Failure to follow the warnings and cautions could result in possible personal injury or death.

- (1) Recover the refrigerant system. (Refer to 24 - HEATING & AIR CONDITIONING/PLUMBING - STANDARD PROCEDURE - REFRIGERANT SYSTEM RECOVERY)
- (2) Disconnect and isolate the negative battery cable.
- (3) Remove the routing clip retaining nut and disengage the metal routing clip from the A/C suction line.
- (4) Disengage the plastic routing clip located near the A/C expansion valve from the A/C suction line.
- (5) Remove the nut that secures the A/C suction and liquid lines to the stud on the A/C expansion valve (Fig. 19).

(6) Disconnect the A/C suction and liquid lines from the A/C expansion valve and remove and discard the O-ring seals.

(7) Install plugs in, or tape over the opened liquid and suction line fittings and both expansion valve ports.



8113732f

Fig. 19 A/C Expansion Valve

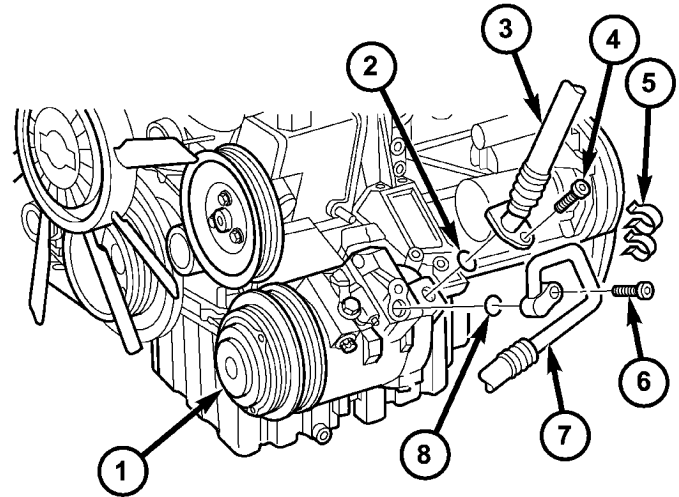
- 1 - EVAPORATOR TUBE TAPPING PLATE
- 2 - O-RING SEAL (2)
- 3 - A/C EXPANSION VALVE
- 4 - BOLT (2)
- 5 - A/C SUCTION LINE
- 6 - NUT
- 7 - A/C LIQUID LINE
- 8 - O-RING SEAL (2)

(8) Remove the bolt that secures the A/C suction line to the A/C compressor (Fig. 20).

(9) Disconnect the A/C suction line from the A/C compressor and remove and discard the O-ring seal.

(10) Install plugs in, or tape over the opened suction line fitting and the compressor suction port.

(11) Remove the A/C suction line from the engine compartment.



81136df5

Fig. 20 A/C Compressor - Refrigerant Lines

- 1 - A/C COMPRESSOR
- 2 - O-RING SEAL
- 3 - A/C SUCTION LINE
- 4 - BOLT
- 5 - RETAINING CLIP
- 6 - BOLT
- 7 - A/C DISCHARGE LINE
- 8 - O-RING SEAL

INSTALLATION

(1) Position the A/C suction line into the engine compartment.

(2) Remove plugs or tape from the suction line fitting and the compressor suction port.

(3) Lubricate a new rubber O-ring seal with clean refrigerant oil and install it onto the suction line fitting.

(4) Connect the A/C suction line to the A/C compressor.

(5) Install the bolt that secures the A/C suction line to the A/C compressor. Tighten the bolt to 23 N·m (17 ft. lbs.).

(6) Remove the tape or plugs from the liquid and suction line fittings and both expansion valve ports.

(7) Lubricate new rubber O-ring seals with clean refrigerant oil and install them on the liquid and suction line fittings.

(8) Connect the A/C liquid and suction lines to the A/C expansion valve.

(9) Install the nut that secures the A/C liquid and suction lines to the A/C expansion valve. Tighten the nut to 10 N·m (89 in. lbs.).

(10) Position the metal routing clip around the A/C suction line and install the routing clip onto the body stud.

(11) Install the routing clip retaining nut. Tighten the nut to 5 N·m (45 in. lbs.).

(12) Install the plastic routing clip retainer onto the A/C suction line.

(13) Reconnect the negative battery cable.

(14) Evacuate the refrigerant system (Refer to 24 - HEATING & AIR CONDITIONING/PLUMBING - STANDARD PROCEDURE - REFRIGERANT SYSTEM EVACUATE).

(15) Charge the refrigerant system (Refer to 24 - HEATING & AIR CONDITIONING/PLUMBING - STANDARD PROCEDURE - REFRIGERANT SYSTEM CHARGE).

WATER VALVE

REMOVAL

(1) Disconnect and isolate the negative battery cable.

(2) Partially drain the engine cooling system (Refer to 7 - COOLING/ENGINE/COOLANT - STANDARD PROCEDURE - DRAINING COOLING SYSTEM).

(3) Disconnect the wire harness connector from the heater water valve (Fig. 21).

(4) Loosen the hose clamps from the heater water valve.

(5) Using a twisting motion gently remove the heater hoses from the heater water valve.

(6) Remove the bolts that secure the heater water valve bracket.

(7) Remove the bracket and pulsed water control valve from the engine compartment.

(8) Turn the bracket slightly and remove the water valve from the rubber mounts.

(9) If necessary, remove the rubber mounts from the bracket or water valve.

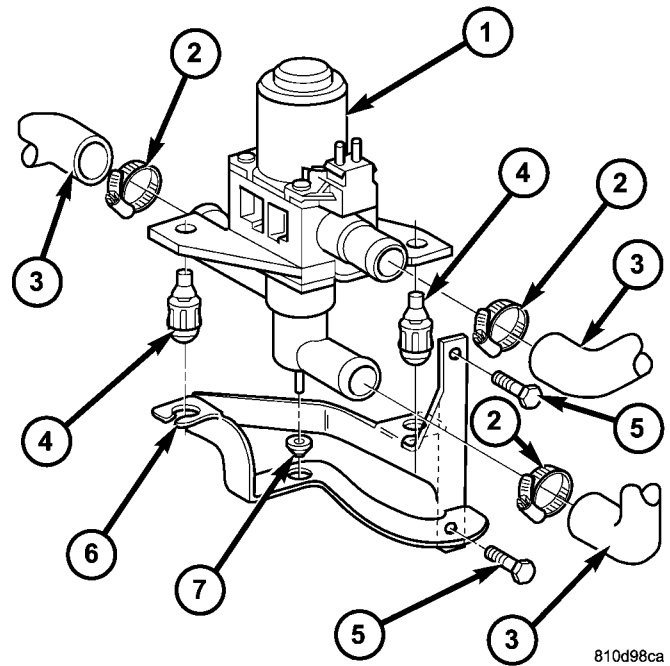


Fig. 21 Heater Water Valve

- 1 - HEATER WATER VALVE
- 2 - HOSE CLAMP (3)
- 3 - HEATER HOSE (3)
- 4 - RUBBER MOUNT (2)
- 5 - BOLTS (2)
- 6 - BRACKET
- 7 - RUBBER MOUNT

INSTALLATION

(1) If removed, install the rubber mounts to the heater water valve or bracket.

(2) Turn bracket slightly to the right and install the heater water valve to the bracket.

(3) Install the water valve and mounting bracket into the engine compartment.

(4) Install the two bracket retaining bolts. Tighten the bolts to 5 N·m (45 in. lbs.).

(5) Using a twisting motion gently install the heater hoses onto the water valve.

(6) Tighten the hose clamps securely.

(7) Connect the wire harness connector to the heater water valve.

(8) Reconnect the negative battery cable.

(9) Fill the engine cooling system (Refer to 7 - COOLING/ENGINE/COOLANT - STANDARD PROCEDURE - COOLING SYSTEM FILL).

REAR A / C CONDENSER FAN

REMOVAL

(1) Disconnect and isolate the negative battery cable.

(2) Remove the cover from the rear A/C condenser housing (Refer to 24 - HEATING & AIR CONDITIONING/DISTRIBUTION - REAR/A/C CONDENSER COVER - REMOVAL).

(3) Disconnect the condenser fan wire harness from the condenser fan suppression filter (Fig. 22).

(4) Loosen the four bolts that secure the rear A/C condenser fan to the top of the rear A/C condenser housing.

(5) Rotate the rear A/C condenser fan counter-clockwise and remove the fan from the top of the rear A/C condenser housing.

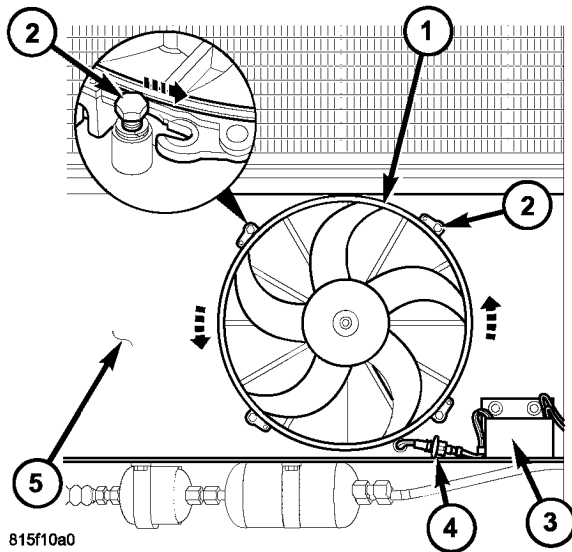


Fig. 22 Rear A/C Condenser Fan

- 1 - REAR A/C CONDENSER FAN
- 2 - BOLT (4)
- 3 - REAR CONDENSER FAN SUPPRESSION FILTER
- 4 - FAN WIRE HARNESS CONNECTOR
- 5 - REAR A/C CONDENSER HOUSING

INSTALLATION

(1) Position the rear A/C condenser fan to the top of the rear A/C condenser housing.

(2) Rotate the rear A/C condenser fan clockwise to engage the fan to the four retaining bolts. Tighten the bolts to 12 N·m (106 in. lbs.).

(3) Connect the condenser fan wire harness to the rear condenser fan suppression filter.

(4) Reconnect the negative battery cable.

(5) Install the cover onto the rear A/C condenser housing (Refer to 24 - HEATING & AIR CONDITIONING/DISTRIBUTION - REAR/A/C CONDENSER COVER - INSTALLATION).

REAR A / C EVAPORATOR

REMOVAL

WARNING: Refer to the applicable warnings and cautions for this system before performing the following operation (Refer to 24 - HEATING & AIR CONDITIONING/PLUMBING - WARNINGS) and (Refer to 24 - HEATING & AIR CONDITIONING/PLUMBING - CAUTIONS). Failure to follow the warnings and cau-

tions could result in possible personal injury or death.

(1) Remove the rear A/C evaporator housing and place it on a workbench (Refer to 24 - HEATING & AIR CONDITIONING/DISTRIBUTION - REAR/REAR A/C EVAPORATOR HOUSING - REMOVAL).

(2) Remove the five screws and washers that secure the condensate drain pan to the bottom of the rear A/C evaporator and remove the drain pan (Fig. 23).

(3) Remove the insulating tape from around the area of the rear A/C expansion valve and disconnect the expansion valve from the rear A/C evaporator (Refer to 24 - HEATING & AIR CONDITIONING/PLUMBING/REAR A/C EXPANSION VALVE - REMOVAL).

(4) Remove the left blower motor from the rear A/C evaporator housing (Refer to 24 - HEATING & AIR CONDITIONING/DISTRIBUTION - REAR/BLOWER MOTOR - REMOVAL).

CAUTION: Be careful when drilling out rivets to prevent damage to the rear A/C components.

(5) Remove the rivets that secure the three covers to the rear A/C evaporator and remove the covers.

(6) Remove the four rivets that secure the rear A/C evaporator the bottom of the rear A/C evaporator housing and remove the evaporator.

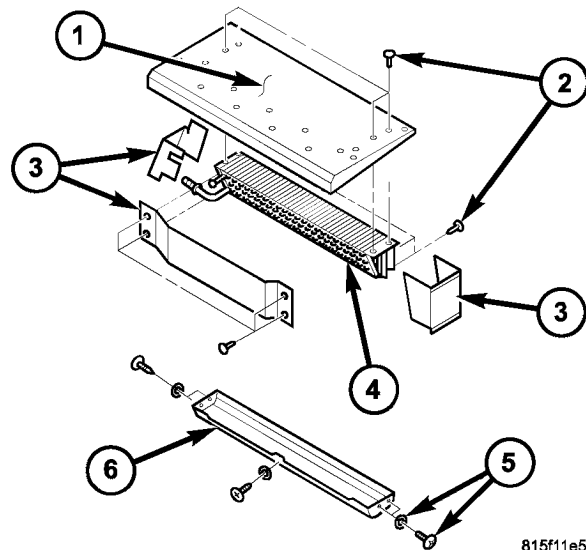


Fig. 23 Rear A/C Evaporator

- 1 - REAR A/C EVAPORATOR HOUSING
- 2 - RIVET (12)
- 3 - COVERS
- 4 - REAR A/C EVAPORATOR
- 5 - SCREW AND WASHER (5)
- 6 - CONDENSATE DRAIN PAN

INSTALLATION

NOTE: Be certain to add refrigerant oil if the rear A/C evaporator is being replaced. The refrigerant oil must be drained from the old evaporator and measured to determine the amount of refrigerant oil to add to the new evaporator. Use only refrigerant oil of the type recommended for the rear A/C compressor in the vehicle.

(1) If the rear A/C evaporator is being replaced, install the correct amount and type of refrigerant oil into the new rear A/C evaporator. Drain the old evaporator and measure the refrigerant oil. Fill the new evaporator with the same amount of new refrigerant oil that was drained out of the old evaporator.

(2) Position the rear A/C evaporator to the bottom of the rear A/C evaporator housing and install four new rivets.

(3) Position the three covers to the rear A/C evaporator and install eight new rivets.

(4) Install the left blower motor onto the rear A/C evaporator housing (Refer to 24 - HEATING & AIR CONDITIONING/DISTRIBUTION - REAR/BLOWER MOTOR - INSTALLATION).

(5) Connect the rear A/C expansion valve to the rear A/C evaporator and install new insulating tape (Refer to 24 - HEATING & AIR CONDITIONING/PLUMBING/REAR A/C EXPANSION VALVE - INSTALLATION).

(6) Position the condensate drain pan to the bottom of the rear A/C evaporator and install the five screws and washers that secure the drain pan to the evaporator. Tighten the screws to 2.2 N·m (20 in. lbs.).

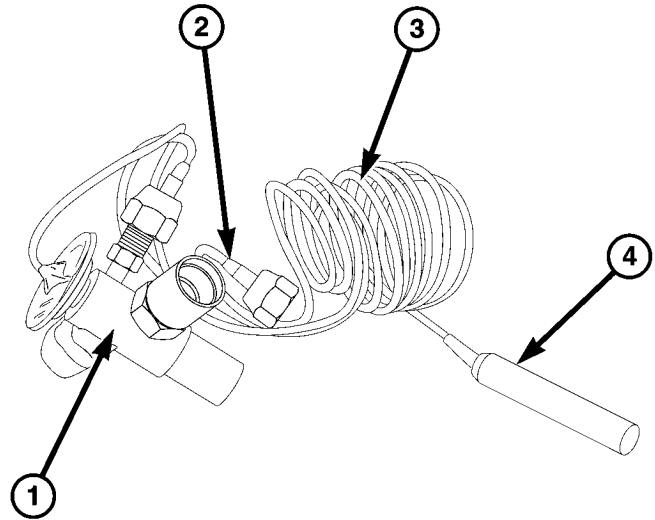
(7) Install the rear A/C evaporator housing (Refer to 24 - HEATING & AIR CONDITIONING/DISTRIBUTION/REAR A/C EVAPORATOR HOUSING - INSTALLATION).

REAR A / C EXPANSION VALVE

DESCRIPTION

The rear A/C expansion valve controls the amount of refrigerant entering the rear A/C evaporator (Fig. 24). The rear A/C expansion valve is of an externally-equalized thermostatic expansion valve (TXV) design and consists of a cast metal body with a removable equalizer tube and an integral thermal sensor which uses a capillary tube and sensing bulb.

The rear A/C expansion valve is located to the left of the rear blower motors in the rear evaporator housing.



81615489

Fig. 24 Rear A/C Expansion Valve

- 1 - REAR A/C EXPANSION VALVE
- 2 - EQUALIZER TUBE
- 3 - CAPILLARY TUBE
- 4 - SENSING BULB

OPERATION

High-pressure, high temperature liquid refrigerant from the liquid line passes through the expansion valve orifice, converting it into a low-pressure, low-temperature mixture of liquid and gas before it enters the A/C evaporator. A thermal sensor in the rear A/C expansion valve monitors the temperature of the refrigerant leaving the rear evaporator by use of a sensing bulb positioned next to the evaporator outlet tube. The thermal sensor adjusts the orifice size at the evaporator inlet to allow the proper amount of refrigerant into the rear A/C evaporator in order to meet vehicle cooling requirements. Controlling the refrigerant flow through the A/C evaporator ensures that none of the refrigerant leaving the evaporator is still in a liquid state, which could cause damage to the A/C compressor.

To overcome the effect of the pressure drop within the rear A/C evaporator, an external equalizer tube is connected to the evaporator outlet tube and runs to the underside of the diaphragm within the expansion valve.

The rear A/C expansion valve is factory calibrated and cannot be adjusted or repaired and, if faulty or damaged, it must be replaced.

REMOVAL

WARNING: Refer to the applicable warnings and cautions for this system before performing the following operation (Refer to 24 - HEATING & AIR CONDITIONING/PLUMBING - WARNINGS) and (Refer to 24 - HEATING & AIR CONDITIONING/PLUMBING - CAUTIONS). Failure to follow the warnings and cautions could result in possible personal injury or death.

(1) Disconnect and isolate the negative battery cable.

(2) Remove the cover from the rear A/C evaporator housing (Refer to 24 - HEATING & AIR CONDITIONING/DISTRIBUTION - REAR/A/C EVAPORATOR COVER-REAR - REMOVAL).

(3) Recover the refrigerant from the rear refrigerant system (Refer to 24 - HEATING & AIR CONDITIONING/PLUMBING - STANDARD PROCEDURE - REFRIGERANT RECOVERY).

(4) Remove the insulating tape from around the area of the rear A/C expansion valve (Fig. 25).

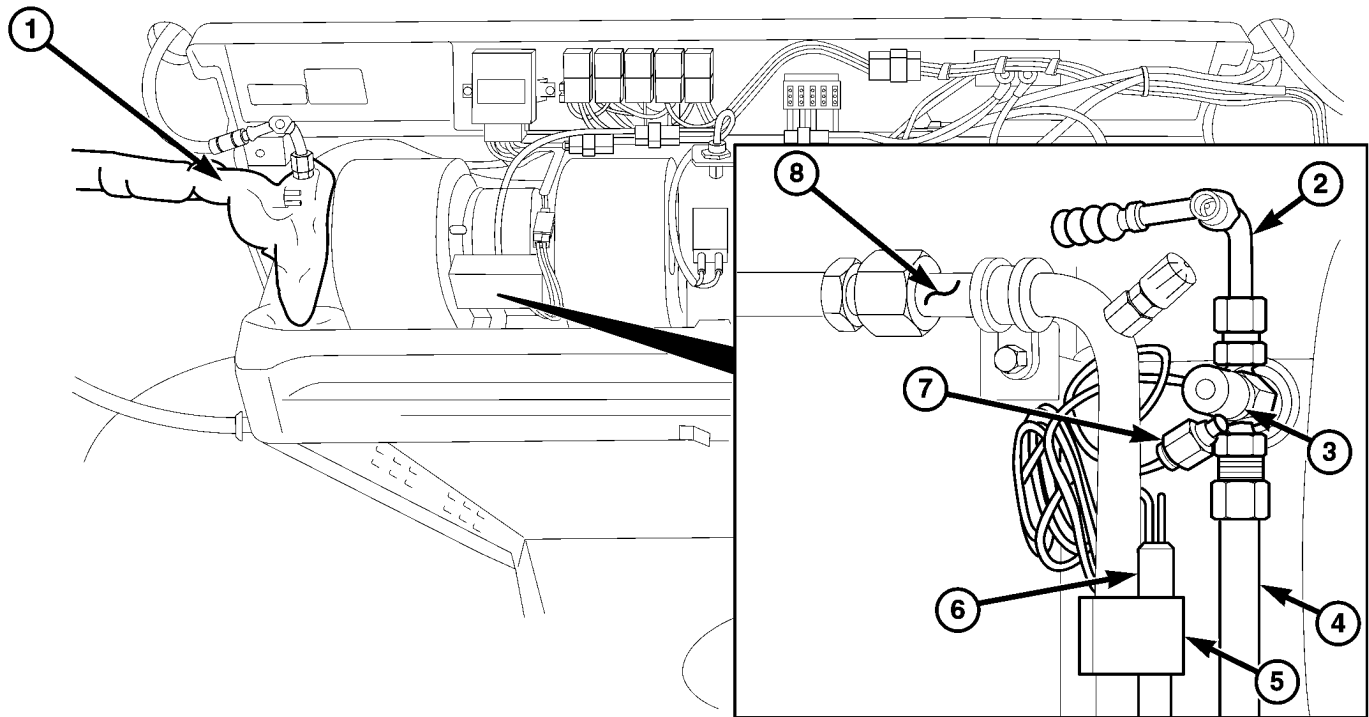
(5) Disconnect the equalizer tube from the rear evaporator outlet tube.

(6) Disconnect the rear liquid line from the rear A/C expansion valve and remove and discard the O-ring seal.

(7) Disconnect the rear A/C expansion valve from the rear evaporator inlet tube and remove and discard the O-ring seal.

(8) Remove the retaining clamp that secures the sensor bulb to the evaporator outlet tube and remove the expansion valve, capillary tube and sensor bulb as an assembly.

(9) Install plugs into, or tape over the opened refrigerant line and evaporator tube fittings and expansion valve ports.



815eff0f

Fig. 25 Rear A/C Expansion Valve

- 1 - INSULATING TAPE
- 2 - REAR LIQUID LINE
- 3 - REAR A/C EXPANSION VALVE
- 4 - REAR A/C EVAPORATOR INLET TUBE

- 5 - RETAINING CLAMP
- 6 - SENSING BULB AND CAPILLARY TUBE
- 7 - EQUALIZER TUBE
- 8 - REAR A/C EVAPORATOR OUTLET TUBE

INSTALLATION

(1) Remove the tape or plugs from the rear refrigerant line and evaporator tube fittings and the rear expansion valve ports.

(2) Lubricate a new O-ring seal with clean refrigerant oil and install it onto the rear evaporator inlet tube fitting. Use only the specified O-ring seal as it is made of a special material for the R-134a system. Use only refrigerant oil of the type recommended for the rear A/C compressor in the vehicle.

(3) Install the rear A/C expansion valve onto the rear evaporator inlet tube. Tighten the nut to 35 N·m (26 ft. lbs.).

(4) Lubricate a new O-ring seal with clean refrigerant oil and install it onto the rear liquid line fitting. Use only the specified O-ring seal as it is made of a special material for the R-134a system. Use only refrigerant oil of the type recommended for the rear A/C compressor in the vehicle.

(5) Connect the rear liquid line to the rear A/C expansion valve. Tighten the nut to 35 N·m (26 ft. lbs.).

(6) Connect the equalizer tube to the rear evaporator outlet tube. Tighten the nut to 10 N·m (88 in. lbs.).

(7) Position the rear expansion valve sensing bulb onto the rear evaporator outlet tube and install the retaining clamp securely.

(8) Install new insulating tape around the rear A/C expansion valve area.

(9) Reconnect the negative battery cable.

(10) Evacuate the rear refrigerant system (Refer to 24 - HEATING & AIR CONDITIONING/PLUMBING - STANDARD PROCEDURE - REFRIGERANT SYSTEM EVACUATE).

(11) Charge the rear refrigerant system (Refer to 24 - HEATING & AIR CONDITIONING/PLUMBING - STANDARD PROCEDURE - REFRIGERANT SYSTEM CHARGE).

(12) Install the cover onto the rear A/C evaporator housing (Refer to 24 - HEATING & AIR CONDITIONING/DISTRIBUTION - REAR/A/C EVAPORATOR COVER-REAR - INSTALLATION).

REAR DISCHARGE LINE

DESCRIPTION

The rear A/C discharge line is the refrigerant line that carries refrigerant from the underbody discharge line to the rear A/C condenser (Fig. 26). The rear A/C discharge line is retained to the right quarter panel by two plastic retaining clips.

CAUTION: Use only seals specified for the vehicle. Failure to use the correct seals will cause the refrigerant system connections to leak.

The rear A/C discharge line has no serviceable parts except for the O-ring seals. The O-ring seals used on the connections are made from a special type of rubber not affected by R-134a refrigerant and must be replaced whenever the rear discharge line is removed and installed.

If the rear A/C discharge line is found to be leaking or damaged, it must be replaced.

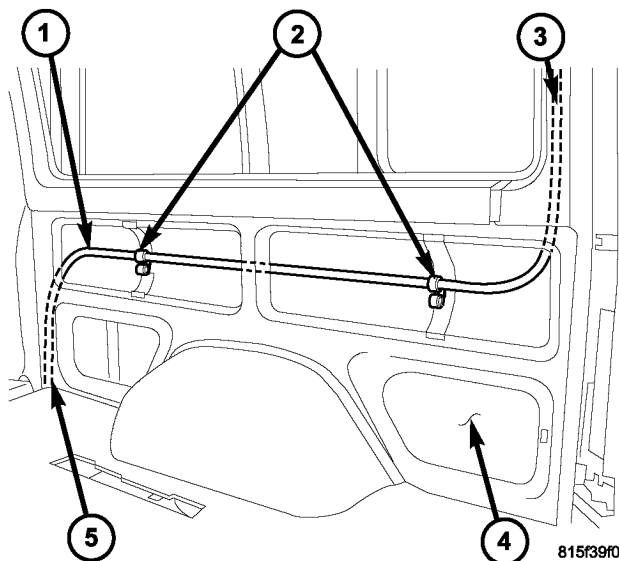


Fig. 26 Rear A/C Discharge Line

- 1 - REAR A/C DISCHARGE LINE
- 2 - RETAINING CLIPS
- 3 - TO REAR A/C CONDENSER
- 4 - RIGHT INNER QUARTER PANEL
- 5 - TO UNDERBODY DISCHARGE LINE

REMOVAL

WARNING: Refer to the applicable warnings and cautions for this system before performing the following operation (Refer to 24 - HEATING & AIR CONDITIONING/PLUMBING - WARNINGS) and (Refer to 24 - HEATING & AIR CONDITIONING/PLUMBING - CAUTIONS). Failure to follow the warnings and cautions could result in possible personal injury or death.

(1) Disconnect and isolate the negative battery cable.

(2) Remove the cover from the rear A/C evaporator housing (Refer to 24 - HEATING & AIR CONDITIONING/DISTRIBUTION - REAR/A/C EVAPORATOR COVER-REAR - REMOVAL).

(3) Recover the refrigerant from the rear refrigerant system (Refer to 24 - HEATING & AIR CONDITIONING/PLUMBING - STANDARD PROCEDURE - REFRIGERANT RECOVERY).

(4) Remove the cover from the rear A/C condenser housing (Refer to 24 - HEATING & AIR CONDITIONING/DISTRIBUTION - REAR/A/C CONDENSER COVER - REMOVAL).

(5) Remove the screw and bracket that secures the rear A/C discharge line to the right side of the rear A/C condenser housing (Fig. 27).

(6) Disconnect the rear A/C discharge line from the rear A/C condenser and remove and discard the O-ring seal.

(7) Disengage the discharge line grommet from the roof panel and push the grommet down into the cargo compartment.

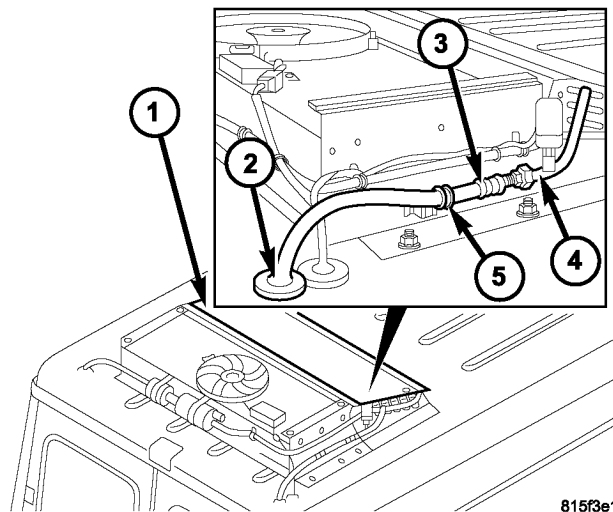


Fig. 27 Rear A/C Discharge Line to Rear Condenser

- 1 - REAR A/C CONDENSER
- 2 - GROMMET
- 3 - REAR A/C DISCHARGE LINE
- 4 - CONDENSER INLET TUBE
- 5 - SCREW AND BRACKET

(8) Remove the right quarter trim panel (Refer to 23 - BODY/INTERIOR/QUARTER TRIM PANEL - REMOVAL).

(9) Remove the retaining strap that secures the rear A/C wire harness to the rear A/C discharge line at the ceiling and position the wire harness out of the way (Fig. 28).

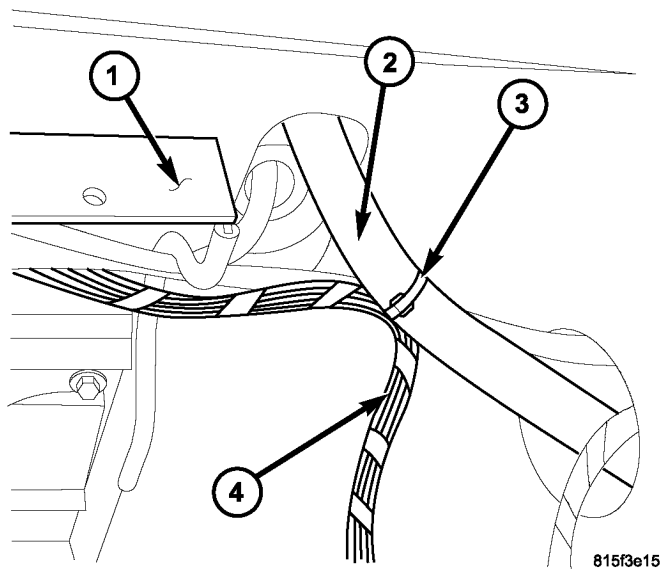


Fig. 28 Rear A/C Wire Harness

- 1 - REAR A/C EVAPORATOR HOUSING
- 2 - REAR A/C DISCHARGE LINE
- 3 - RETAINING STRAP
- 4 - REAR A/C WIRE HARNESS

(10) Remove the three foam insulators from the right inner quarter panel (Fig. 29).

(11) Disengage the rear A/C discharge line from the two retaining clips located on the inner quarter panel and pull the discharge line down from the top of the vehicle into the cargo compartment.

(12) Disengage the rear A/C discharge line from the two retaining clips located underneath of the vehicle.

(13) Disconnect the rear A/C discharge line from the underbody discharge line and remove and discard the O-ring seal.

(14) Remove the foam rubber seal from the opening in the floor of the cargo compartment and pull the rear A/C discharge line out from underneath the vehicle.

(15) Install plugs into, or tape over the opened rear discharge and underbody line fittings and condenser tube.

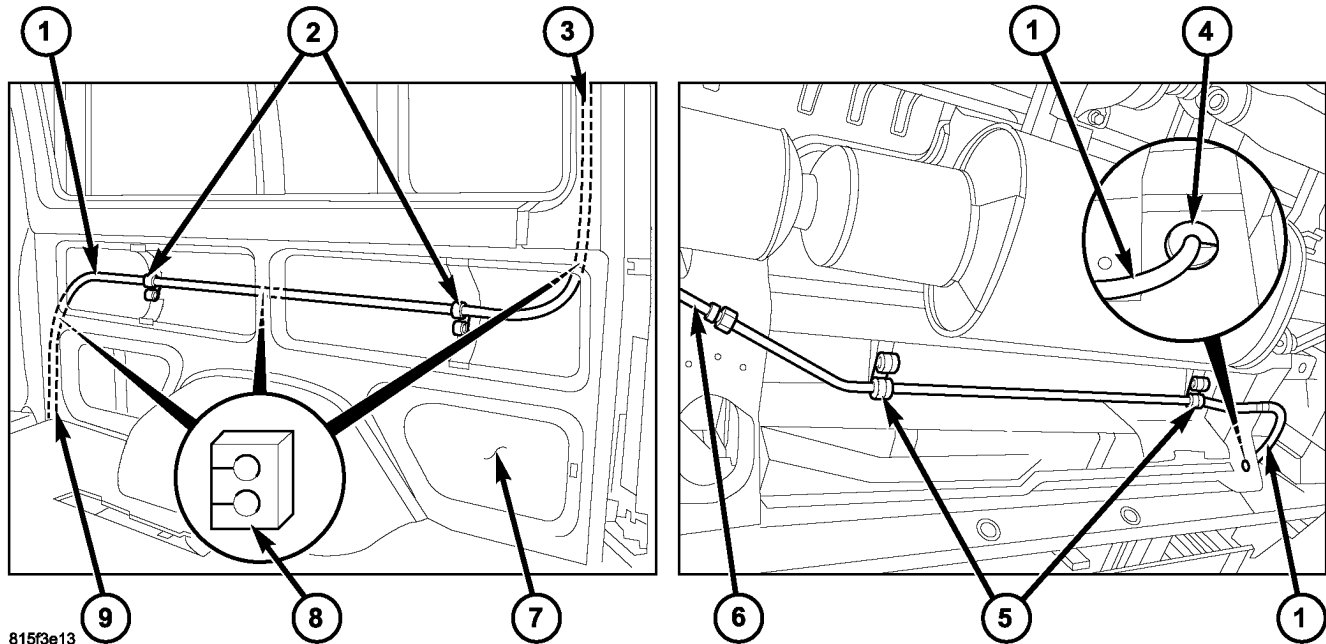


Fig. 29 Rear A/C Discharge Line to Underbody

- 1 - REAR A/C DISCHARGE LINE
- 2 - RETAINING CLIPS
- 3 - TO REAR CONDENSER
- 4 - FOAM RUBBER SEAL
- 5 - BRACKETS

- 6 - UNDERBODY DISCHARGE LINE
- 7 - RIGHT INNER QUARTER PANEL
- 8 - FOAM INSULATORS
- 9 - TO UNDERBODY

INSTALLATION

(1) Remove the tape or plugs from the rear discharge and underbody line fittings and the rear condenser tube.

(2) Lubricate new O-ring seals with clean refrigerant oil and install them onto the rear discharge line fittings. Use only the specified O-ring seals as they are made of a special material for the R-134a system. Use only refrigerant oil of the type recommended for the rear A/C compressor in the vehicle.

(3) From underneath the vehicle, route the rear A/C discharge line into the cargo compartment and install it into the two retaining clips located under the vehicle.

(4) Connect the rear A/C discharge line to the underbody discharge line. Tighten the nut to 35 N·m (26 ft. lbs.).

(5) Install the foam rubber seal into the floor panel.

(6) From inside the vehicle, install the rear A/C discharge line into the two retaining clips located on the inner quarter panel and route the discharge line through the opening in the roof.

(7) Seat the grommet to the roof panel and install a new rear A/C wire harness retaining strap.

(8) Install the three foam insulators to the right inner quarter panel.

(9) Install the right quarter trim panel (Refer to 23 - BODY/INTERIOR/QUARTER TRIM PANEL - INSTALLATION).

(10) Connect the rear discharge line to the rear A/C condenser. Tighten the nut to 35 N·m (26 ft. lbs.).

(11) Install the bracket and screw that secures the rear discharge line to the right side of the rear condenser housing. Tighten the screw securely.

(12) Reconnect the negative battery cable.

(13) Evacuate the rear refrigerant system (Refer to 24 - HEATING & AIR CONDITIONING/PLUMBING - STANDARD PROCEDURE - REFRIGERANT SYSTEM EVACUATE).

(14) Charge the rear refrigerant system (Refer to 24 - HEATING & AIR CONDITIONING/PLUMBING - STANDARD PROCEDURE - REFRIGERANT SYSTEM CHARGE).

(15) Install the cover onto the rear A/C evaporator housing (Refer to 24 - HEATING & AIR CONDITIONING/DISTRIBUTION - REAR/A/C EVAPORATOR COVER-REAR - INSTALLATION).

(16) Install the cover onto the rear A/C condenser housing (Refer to 24 - HEATING & AIR CONDITIONING/DISTRIBUTION - REAR/A/C CONDENSER COVER - INSTALLATION).

REAR LIQUID LINE

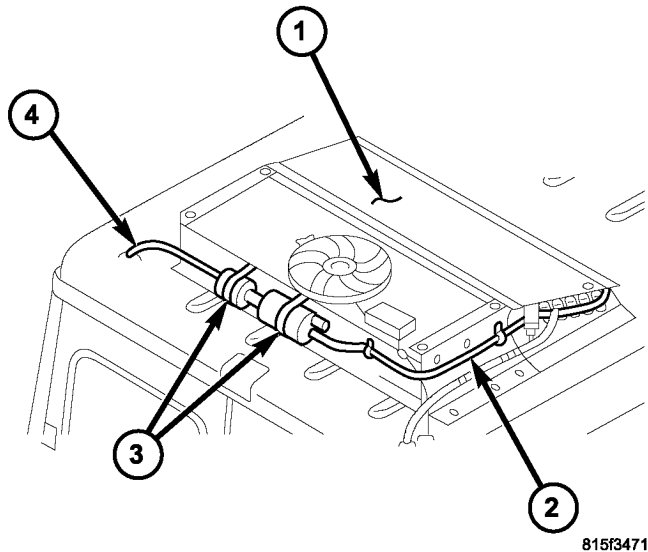
DESCRIPTION

The rear liquid line is the refrigerant line that carries refrigerant from the rear condenser to the rear A/C expansion valve. The rear A/C liquid line on this vehicle is serviced in two sections (Fig. 30).

CAUTION: Use only seals specified for the vehicle. Failure to use the correct seals will cause the refrigerant system connections to leak.

The rear A/C liquid lines have no serviceable parts except for the O-ring seals. The O-ring seals used on the connections are made from a special type of rubber not affected by R-134a refrigerant and must be replaced whenever the rear liquid line is removed and installed.

If either of the rear liquid lines is found to be leaking or damaged, it must be replaced.



815f3471

Fig. 30 Rear A/C Liquid Lines

- 1 - REAR A/C CONDENSER
- 2 - REAR LIQUID LINE (FROM CONDENSER)
- 3 - REAR RECEIVER/DRIER AND RESERVOIR
- 4 - REAR LIQUID LINE (TO EXPANSION VALVE)

REMOVAL

WARNING: Refer to the applicable warnings and cautions for this system before performing the following operation (Refer to 24 - HEATING & AIR CONDITIONING/PLUMBING - WARNINGS) and (Refer to 24 - HEATING & AIR CONDITIONING/PLUMBING - CAUTIONS). Failure to follow the warnings and cautions could result in possible personal injury or death.

CONDENSER TO RECEIVER / DRIER

(1) Disconnect and isolate the negative battery cable.

(2) Remove the air filter from the rear A/C evaporator housing (Refer to 24 - HEATING & AIR CONDITIONING/DISTRIBUTION - REAR/AIR FILTER - REMOVAL).

(3) Recover the refrigerant from the rear refrigerant system (Refer to 24 - HEATING & AIR CONDITIONING/PLUMBING - STANDARD PROCEDURE - REFRIGERANT RECOVERY).

(4) Remove the cover from the rear A/C condenser housing (Refer to 24 - HEATING & AIR CONDITIONING/DISTRIBUTION - REAR/A/C CONDENSER COVER - REMOVAL).

(5) Disconnect the rear liquid line from the rear receiver/drier and remove and discard the O-ring seal (Fig. 31).

(6) Disconnect the rear liquid line from the rear condenser and remove and discard the O-ring seal.

(7) Remove the retaining straps that secure the rear A/C wire harness to the rear liquid line and remove the liquid line.

(8) Install plugs into, or tape over the opened rear liquid line fittings and receiver/drier and condenser ports.

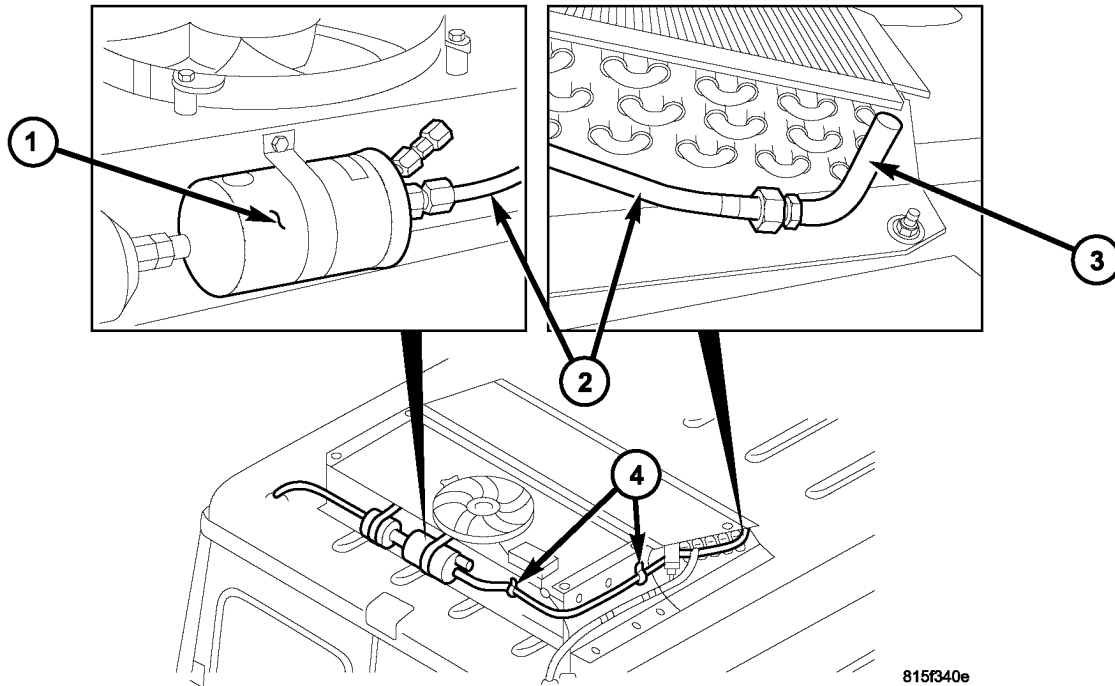


Fig. 31 Rear Liquid Line - Condenser to Receiver/drier

1 - REAR RECEIVER/DRIER
2 - LIQUID LINE (FROM CONDENSER)

3 - REAR A/C CONDENSER
4 - RETAINING STRAPS

815f340e

RESERVOIR TO EXPANSION VALVE

(1) Disconnect and isolate the negative battery cable.

(2) Remove the cover from the rear A/C evaporator housing (Refer to 24 - HEATING & AIR CONDITIONING/DISTRIBUTION - REAR/A/C EVAPORATOR COVER-REAR - REMOVAL).

(3) Recover the refrigerant from the rear refrigerant system (Refer to 24 - HEATING & AIR CONDITIONING/PLUMBING - STANDARD PROCEDURE - REFRIGERANT RECOVERY).

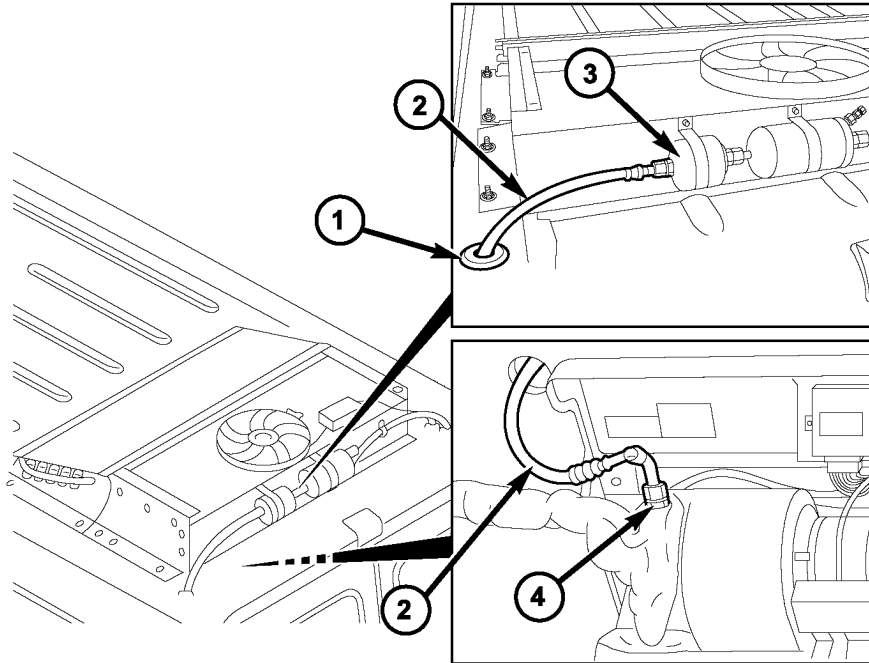
(4) Remove the cover from the rear A/C condenser housing (Refer to 24 - HEATING & AIR CONDITIONING/DISTRIBUTION - REAR/A/C CONDENSER COVER - REMOVAL).

(5) Disconnect the rear liquid line from the reservoir and remove and discard the O-ring seal (Fig. 32).

(6) Disconnect the rear liquid line from the rear expansion valve and remove and discard the O-ring seal.

(7) Disengage the liquid line grommet from the roof panel and remove the liquid line.

(8) Install plugs into, or tape over the opened rear liquid line fittings and reservoir and expansion valve ports.



815F3548

Fig. 32 Rear Liquid Line - Reservoir to Expansion Valve

- 1 - GROMMET
- 2 - LIQUID LINE (TO EXPANSION VALVE)

- 3 - REAR REFRIGERANT RESERVOIR
- 4 - REAR A/C EXPANSION VALVE

INSTALLATION

CONDENSER TO RECEIVER / DRIER

- (1) Remove the tape or plugs from the rear liquid line fittings and receiver/drier and condenser ports.
- (2) Lubricate new O-ring seals with clean refrigerant oil and install them onto the rear liquid line fittings. Use only the specified O-ring seals as they are made of a special material for the R-134a system. Use only refrigerant oil of the type recommended for the rear A/C compressor in the vehicle.
- (3) Connect the rear liquid line to the rear receiver/drier. Tighten the nut to 35 N·m (26 ft. lbs.).
- (4) Connect the rear liquid line to the rear A/C condenser. Tighten the nut to 35 N·m (26 ft. lbs.).
- (5) Install the retaining straps that secure the rear A/C wire harness to the rear liquid line.
- (6) Reconnect the negative battery cable.
- (7) Evacuate the rear refrigerant system (Refer to 24 - HEATING & AIR CONDITIONING/PLUMBING - STANDARD PROCEDURE - REFRIGERANT SYSTEM EVACUATE).
- (8) Charge the rear refrigerant system (Refer to 24 - HEATING & AIR CONDITIONING/PLUMBING - STANDARD PROCEDURE - REFRIGERANT SYSTEM CHARGE).
- (9) Install the rear air filter (Refer to 24 - HEATING & AIR CONDITIONING/DISTRIBUTION - REAR/AIR FILTER - INSTALLATION).

- (10) Install the cover onto the rear A/C condenser housing (Refer to 24 - HEATING & AIR CONDITIONING/DISTRIBUTION - REAR/A/C CONDENSER COVER - INSTALLATION).

RESERVOIR TO EXPANSION VALVE

- (1) Remove the tape or plugs from the rear liquid line fittings and the reservoir and expansion valve ports.
- (2) Lubricate new O-ring seals with clean refrigerant oil and install them onto the rear liquid line fittings. Use only the specified O-ring seals as they are made of a special material for the R-134a system. Use only refrigerant oil of the type recommended for the rear A/C compressor in the vehicle.
- (3) Connect the rear liquid line to the rear A/C expansion valve. Tighten the nut to 35 N·m (26 ft. lbs.).
- (4) Route the liquid line through the opening in the roof and engage the grommet to the roof panel.
- (5) Connect the rear liquid line to the rear refrigerant reservoir. Tighten the nut to 35 N·m (26 ft. lbs.).
- (6) Reconnect the negative battery cable.
- (7) Evacuate the rear refrigerant system (Refer to 24 - HEATING & AIR CONDITIONING/PLUMBING - STANDARD PROCEDURE - REFRIGERANT SYSTEM EVACUATE).

(8) Charge the rear refrigerant system (Refer to 24 - HEATING & AIR CONDITIONING/PLUMBING - STANDARD PROCEDURE - REFRIGERANT SYSTEM CHARGE).

(9) Install the cover onto the rear A/C evaporator housing (Refer to 24 - HEATING & AIR CONDITIONING/DISTRIBUTION - REAR/A/C EVAPORATOR COVER-REAR - INSTALLATION).

(10) Install the cover onto the rear A/C condenser housing (Refer to 24 - HEATING & AIR CONDITIONING/DISTRIBUTION - REAR/A/C CONDENSER COVER - INSTALLATION).

REAR RECEIVER / DRIER

REMOVAL

WARNING: Refer to the applicable warnings and cautions for this system before performing the following operation (Refer to 24 - HEATING & AIR CONDITIONING/PLUMBING - WARNINGS) and (Refer to 24 - HEATING & AIR CONDITIONING/PLUMBING - CAUTIONS). Failure to follow the warnings and cautions could result in possible personal injury or death.

(1) Disconnect and isolate the negative battery cable.

(2) Remove the air filter from the rear A/C evaporator housing (Refer to 24 - HEATING & AIR CONDITIONING/DISTRIBUTION - REAR/AIR FILTER - REMOVAL).

(3) Recover the refrigerant from the rear refrigerant system (Refer to 24 - HEATING & AIR CONDITIONING/PLUMBING - STANDARD PROCEDURE - REFRIGERANT RECOVERY).

(4) Remove the cover from the rear A/C condenser housing (Refer to 24 - HEATING & AIR CONDITIONING/DISTRIBUTION - REAR/A/C CONDENSER COVER - REMOVAL).

(5) Disconnect the rear refrigerant reservoir from the rear receiver/drier and remove and discard the O-ring seal (Fig. 33).

(6) Disconnect the liquid line from the rear receiver/drier and remove and discard the O-ring seal.

(7) Remove the bolt and retaining bracket that secures the rear receiver/drier to the rear A/C condenser housing and remove the receiver/drier.

(8) Install plugs into, or tape over the opened rear liquid line fitting and reservoir and receiver/drier ports.

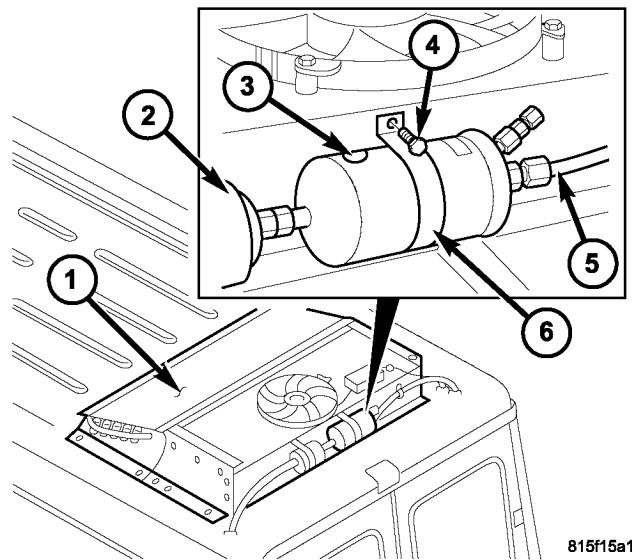


Fig. 33 Rear Receiver/Drier

- 1 - REAR A/C CONDENSER HOUSING
- 2 - REFRIGERANT RESEVOIR
- 3 - REAR RECEIVER/DRIER
- 4 - BOLT
- 5 - LIQUID LINE
- 6 - RETAINING BRACKET

INSTALLATION

NOTE: Be certain to add refrigerant oil if the rear receiver/drier is being replaced. The refrigerant oil must be drained from the old receiver/drier and measured to determine the amount of refrigerant oil to add to the new receiver/drier. Use only refrigerant oil of the type recommended for the rear A/C compressor in the vehicle.

(1) If the rear receiver/drier is being replaced, install the correct amount and type of refrigerant oil into the new rear receiver/drier. Drain the old receiver/drier and measure the refrigerant oil. Fill the new receiver/drier with the same amount of new refrigerant oil that was drained out of the old receiver/drier.

NOTE: The rear receiver/drier is labeled with a direction-of-flow arrow to indicate refrigerant flow through the receiver/drier. Make sure to properly install the rear receiver/drier in the correct direction.

(2) Position the rear receiver/drier to the rear A/C condenser housing and install the retaining bracket and bolt. Tighten the bolt to 25 N·m (18 ft. lbs.).

(3) Remove the tape or plugs from the rear liquid line fitting and reservoir and receiver/drier ports.

(4) Lubricate a new O-ring seal with clean refrigerant oil and install it onto the rear liquid line fitting. Use only the specified O-ring seal as it is made of a special material for the R-134a system. Use only

refrigerant oil of the type recommended for the rear A/C compressor in the vehicle.

(5) Connect the rear liquid line to the rear receiver/drier. Tighten the nut to 35 N·m (26 ft. lbs.).

(6) Lubricate a new O-ring seal with clean refrigerant oil and install it onto the receiver/drier outlet fitting. Use only the specified O-ring seal as it is made of a special material for the R-134a system. Use only refrigerant oil of the type recommended for the rear A/C compressor in the vehicle.

(7) Connect the rear refrigerant reservoir to the rear receiver/drier. Tighten the nut to 35 N·m (26 ft. lbs.).

(8) Reconnect the negative battery cable.

(9) Evacuate the rear refrigerant system (Refer to 24 - HEATING & AIR CONDITIONING/PLUMBING - STANDARD PROCEDURE - REFRIGERANT SYSTEM EVACUATE).

(10) Charge the rear refrigerant system (Refer to 24 - HEATING & AIR CONDITIONING/PLUMBING - STANDARD PROCEDURE - REFRIGERANT SYSTEM CHARGE).

(11) Install the rear air filter (Refer to 24 - HEATING & AIR CONDITIONING/DISTRIBUTION - REAR/AIR FILTER - INSTALLATION).

(12) Install the cover onto the rear A/C condenser housing (Refer to 24 - HEATING & AIR CONDITIONING/DISTRIBUTION - REAR/A/C CONDENSER COVER - INSTALLATION).

REAR REFRIGERANT RESERVOIR

REMOVAL

WARNING: Refer to the applicable warnings and cautions for this system before performing the following operation (Refer to 24 - HEATING & AIR CONDITIONING/PLUMBING - WARNINGS) and (Refer to 24 - HEATING & AIR CONDITIONING/PLUMBING - CAUTIONS). Failure to follow the warnings and cautions could result in possible personal injury or death.

(1) Disconnect and isolate the negative battery cable.

(2) Remove the air filter from the rear A/C evaporator housing (Refer to 24 - HEATING & AIR CONDITIONING/DISTRIBUTION - REAR/AIR FILTER - REMOVAL).

(3) Recover the refrigerant from the rear refrigerant system (Refer to 24 - HEATING & AIR CONDITIONING/PLUMBING - STANDARD PROCEDURE - REFRIGERANT RECOVERY).

(4) Remove the cover from the rear A/C condenser housing (Refer to 24 - HEATING & AIR CONDIT-

IONING/DISTRIBUTION - REAR/A/C CONDENSER COVER - REMOVAL).

(5) Disconnect the rear liquid line from the rear refrigerant reservoir and remove and discard the O-ring seal (Fig. 34).

(6) Disconnect the rear refrigerant reservoir from the rear receiver/drier and remove and discard the O-ring seal.

(7) Remove the bolt and retaining bracket that secures the rear refrigerant reservoir to the rear A/C condenser housing and remove the reservoir.

(8) Install plugs into, or tape over the opened rear liquid line fitting and receiver/drier and reservoir ports.

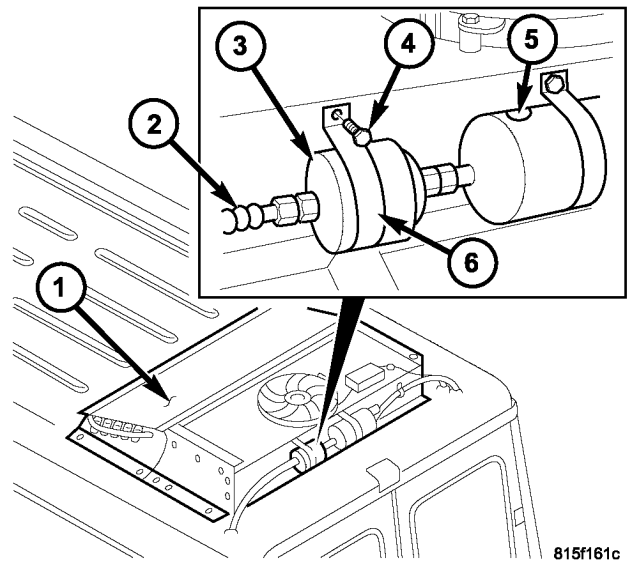


Fig. 34 Rear Refrigerant Reservoir

- 1 - REAR A/C CONDENSER HOUSING
- 2 - LIQUID LINE
- 3 - REAR REFRIGERANT RESERVOIR
- 4 - BOLT
- 5 - REAR RECEIVER/DRIER
- 6 - RETAINING BRACKET

INSTALLATION

NOTE: Be certain to add refrigerant oil if the rear refrigerant reservoir is being replaced. The refrigerant oil must be drained from the old refrigerant reservoir and measured to determine the amount of refrigerant oil to add to the new reservoir. Use only refrigerant oil of the type recommended for the rear A/C compressor in the vehicle.

(1) If the rear refrigerant reservoir is being replaced, install the correct amount and type of refrigerant oil into the new rear refrigerant reservoir. Drain the old refrigerant reservoir and measure the refrigerant oil. Fill the new refrigerant reservoir with the same amount of new refrigerant oil that was drained out of the old reservoir.

(2) Install a new rear receiver/drier (Refer to 24 - HEATING & AIR CONDITIONING/PLUMBING/REAR RECEIVER/DRIER - INSTALLATION).

(3) Position the rear refrigerant reservoir to the rear A/C condenser housing and install the retaining bracket and bolt. Tighten the bolt to 25 N·m (18 ft. lbs.).

(4) Remove the tape or plugs from the rear liquid line fitting and receiver/drier and reservoir ports.

(5) Lubricate a new O-ring seal with clean refrigerant oil and install it onto the rear receiver/drier fitting. Use only the specified O-ring seal as it is made of a special material for the R-134a system. Use only refrigerant oil of the type recommended for the rear A/C compressor in the vehicle.

(6) Connect the rear receiver/drier to the rear refrigerant reservoir. Tighten the nut to 35 N·m (26 ft. lbs.).

(7) Lubricate a new O-ring seal with clean refrigerant oil and install it onto the rear liquid line fitting. Use only the specified O-ring seal as it is made of a special material for the R-134a system. Use only refrigerant oil of the type recommended for the rear A/C compressor in the vehicle.

(8) Connect the rear liquid line to the rear refrigerant reservoir. Tighten the nut to 35 N·m (26 ft. lbs.).

(9) Reconnect the negative battery cable.

(10) Evacuate the rear refrigerant system (Refer to 24 - HEATING & AIR CONDITIONING/PLUMBING - STANDARD PROCEDURE - REFRIGERANT SYSTEM EVACUATE).

(11) Charge the rear refrigerant system (Refer to 24 - HEATING & AIR CONDITIONING/PLUMBING - STANDARD PROCEDURE - REFRIGERANT SYSTEM CHARGE).

(12) Install the rear air filter (Refer to 24 - HEATING & AIR CONDITIONING/DISTRIBUTION - REAR/AIR FILTER - INSTALLATION).

(13) Install the cover onto the rear A/C condenser housing (Refer to 24 - HEATING & AIR CONDITIONING/DISTRIBUTION - REAR/A/C CONDENSER COVER - INSTALLATION).

REAR SUCTION LINE

DESCRIPTION

The rear A/C suction line is the refrigerant line that carries refrigerant from the rear A/C evaporator to the A/C underbody suction line (Fig. 35). The rear A/C suction line is retained to the left quarter panel by two plastic retaining clips.

CAUTION: Use only seals specified for the vehicle. Failure to use the correct seals will cause the refrigerant system connections to leak.

The rear A/C suction line has no serviceable parts except for the O-ring seals. The O-ring seals used on the connections are made from a special type of rubber not affected by R-134a refrigerant and must be replaced whenever the rear A/C suction line is removed and installed.

If the rear A/C suction line is found to be leaking or damaged, it must be replaced.

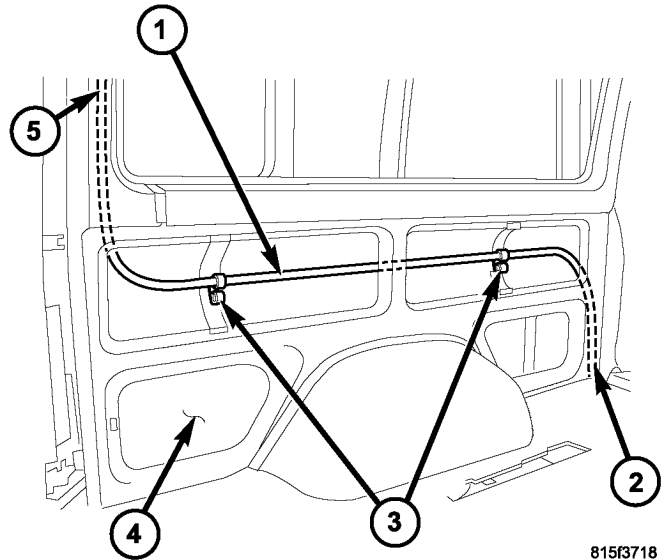


Fig. 35 Rear A/C Suction Line

- 1 - REAR A/C SUCTION LINE
- 2 - TO UNDERBODY SUCTION LINE
- 3 - RETAINING CLIPS
- 4 - LEFT INNER QUARTER PANEL
- 5 - TO REAR A/C EVAPORATOR

REMOVAL

WARNING: Refer to the applicable warnings and cautions for this system before performing the following operation (Refer to 24 - HEATING & AIR CONDITIONING/PLUMBING - WARNINGS) and (Refer to 24 - HEATING & AIR CONDITIONING/PLUMBING - CAUTIONS). Failure to follow the warnings and cautions could result in possible personal injury or death.

(1) Disconnect and isolate the negative battery cable.

(2) Remove the cover from the rear A/C evaporator housing (Refer to 24 - HEATING & AIR CONDITIONING/DISTRIBUTION - REAR/A/C EVAPORATOR COVER-REAR - REMOVAL).

(3) Recover the refrigerant from the rear refrigerant system (Refer to 24 - HEATING & AIR CONDITIONING/PLUMBING - STANDARD PROCEDURE - REFRIGERANT RECOVERY).

(4) Remove the insulating tape from around the area of the rear A/C suction line and evaporator outlet tube (Fig. 36).

(5) From inside the vehicle, disconnect the rear A/C suction line from the rear A/C evaporator and remove and discard the O-ring seal.

(6) From underneath the vehicle, disconnect the rear A/C suction line from the underbody suction line and remove and discard the O-ring seal.

(7) Remove the left quarter trim panel (Refer to 23 - BODY/INTERIOR/QUARTER TRIM PANEL - REMOVAL).

(8) Remove the three foam insulators from the left inner quarter panel.

(9) Remove the foam rubber seal from the opening in the floor of the cargo compartment.

(10) Disengage the rear A/C suction line from the two retaining clips located on the inner quarter panel and remove the suction line.

(11) Install plugs into, or tape over the opened rear suction and underbody line fittings and evaporator tube.

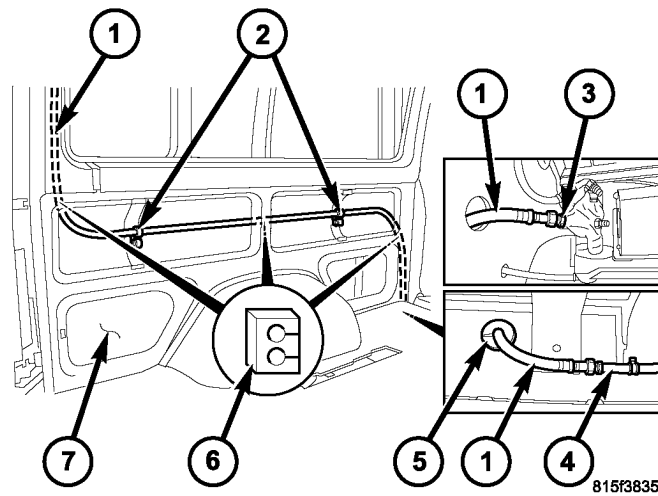


Fig. 36 Rear A/C Suction Line

1 - REAR A/C SUCTION LINE
 2 - RETAINING CLIPS
 3 - EVAPORATOR OUTLET TUBE
 4 - UNDERBODY SUCTION LINE

5 - FOAM RUBBER SEAL
 6 - FOAM INSULATORS
 7 - LEFT INNER QUARTER PANEL

INSTALLATION

(1) Remove the tape or plugs from the rear suction and underbody line fittings and the rear evaporator tube.

(2) Lubricate new O-ring seals with clean refrigerant oil and install them onto the rear suction line fittings. Use only the specified O-ring seals as they are made of a special material for the R-134a system. Use only refrigerant oil of the type recommended for the rear A/C compressor in the vehicle.

(3) Position the rear A/C suction line to the left inner quarter panel and install it into the two retaining clips.

(4) From inside the vehicle, connect the rear A/C suction line to the rear A/C evaporator. Tighten the nut to 35 N·m (26 ft. lbs.).

(5) From underneath the vehicle, connect the rear A/C suction line to the underbody suction line. Tighten the nut to 35 N·m (26 ft. lbs.).

(6) Install the three foam insulators to the left inner quarter panel.

(7) Install the foam rubber seal into the floor panel.

(8) Install the left quarter trim panel (Refer to 23 - BODY/INTERIOR/QUARTER TRIM PANEL - INSTALLATION).

(9) Reconnect the negative battery cable.

(10) Evacuate the rear refrigerant system (Refer to 24 - HEATING & AIR CONDITIONING/PLUMBING - STANDARD PROCEDURE - REFRIGERANT SYSTEM EVACUATE).

(11) Charge the rear refrigerant system (Refer to 24 - HEATING & AIR CONDITIONING/PLUMBING

- STANDARD PROCEDURE - REFRIGERANT SYSTEM CHARGE).

(12) Install the cover onto the rear A/C evaporator housing (Refer to 24 - HEATING & AIR CONDITIONING/DISTRIBUTION - REAR/A/C EVAPORATOR COVER-REAR - INSTALLATION).

REFRIGERANT LINE COUPLER

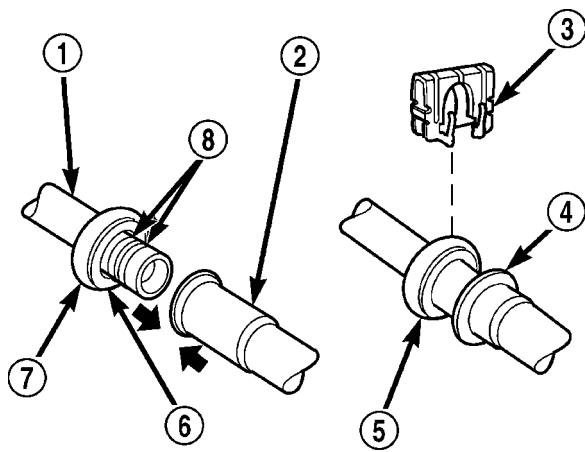
DESCRIPTION

A spring-lock type refrigerant line coupler is used to connect the front section of the underbody discharge line to the compressor section of the discharge line. A secondary retaining clip may be installed over the connected coupler for added protection.

The spring-lock refrigerant line coupler requires a special disconnect tool for disengaging the two coupler halves.

OPERATION

The spring-lock coupler is held together by a garter spring inside a circular cage on the male half of the fitting (Fig. 37). When the two coupler halves are connected, the flared end of the female fitting slips behind the garter spring inside the cage on the male fitting. The garter spring and cage prevent the flared end of the female fitting from pulling out of the cage.



80a7e303

Fig. 37 Spring-Lock Coupler - Typical

- 1 - MALE HALF SPRING-LOCK COUPLER
- 2 - FEMALE HALF SPRING-LOCK COUPLER
- 3 - SECONDARY CLIP
- 4 - CONNECTION INDICATOR RING
- 5 - COUPLER CAGE
- 6 - GARTER SPRING
- 7 - COUPLER CAGE
- 8 - O-RING SEALS

Two O-rings on the male half of the fitting are used to seal the connection. These O-rings are compatible with R-134a refrigerant and must be replaced with O-rings made of the same material.

Secondary clips are installed over the two connected coupler halves at the factory for added blowoff protection. In addition, some models have a plastic ring that is used at the factory as a visual indicator to confirm that these couplers are connected. After the coupler is connected, the plastic indicator ring is no longer needed; however, it will remain on the refrigerant line near the coupler cage.

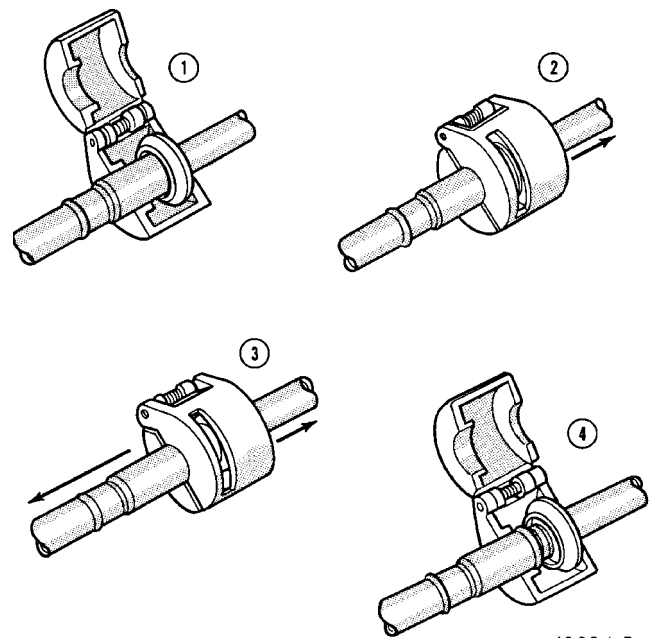
REMOVAL

WARNING: Refer to the applicable warnings and cautions for this system before performing the following operation (Refer to 24 - HEATING & AIR CONDITIONING/PLUMBING - WARNINGS) and (Refer to 24 - HEATING & AIR CONDITIONING/PLUMBING - CAUTIONS). Failure to follow the warnings and cautions could result in possible personal injury or death.

(1) Recover the refrigerant from the refrigerant system (Refer to 24 - HEATING & AIR CONDITIONING/PLUMBING - STANDARD PROCEDURE - REFRIGERANT SYSTEM RECOVERY).

(2) Remove the secondary retaining clip from the spring-lock coupler.

(3) Fit the proper size A/C line disconnect tool (Special Tool Kit 7193) over the spring-lock coupler cage (Fig. 38).



J9324-5

Fig. 38 Refrigerant Line Spring-Lock Coupler Disconnect

(4) Close the two halves of the A/C line disconnect tool around the spring-lock coupler.

(5) Push the A/C line disconnect tool into the open side of the coupler cage to expand the garter spring. Once the garter spring is expanded and while still pushing the disconnect tool into the open side of the coupler cage, pull on the refrigerant line attached to the female half of the coupler fitting until the flange on the female fitting is separated from the garter spring and cage on the male fitting within the disconnect tool.

NOTE: The garter spring may not release if the A/C line disconnect tool is cocked while pushing it into the coupler cage opening.

(6) Open and remove the A/C line disconnect tool from the disconnected spring-lock coupler.

(7) Complete the separation of the two halves of the coupler fitting.

INSTALLATION

(1) Check to ensure that the garter spring is located within the cage of the male coupler fitting, and that the garter spring is not damaged.

(a) If the garter spring is missing, install a new spring by pushing it into the coupler cage opening.

(b) If the garter spring is damaged, remove it from the coupler cage with a small wire hook (DO NOT use a screwdriver) and install a new garter spring.

(2) Clean any dirt or foreign material from both halves of the coupler fitting.

(3) Install new O-rings on the male half of the coupler fitting.

CAUTION: Use only the specified O-rings as they are made of a special material for the R-134a system. The use of any other O-rings may allow the connection to leak intermittently during vehicle operation.

(4) Lubricate the male fitting and O-rings, and the inside of the female fitting with clean R-134a refrigerant oil. Use only refrigerant oil of the type recommended for the compressor in the vehicle.

(5) Fit the female half of the coupler fitting over the male half of the fitting.

(6) Push together firmly on the two halves of the coupler fitting until the garter spring in the cage on the male half of the fitting snaps over the flanged end on the female half of the fitting.

(7) Ensure that the spring-lock coupler is fully engaged by trying to separate the two coupler halves. This is done by pulling the refrigerant lines on either side of the coupler away from each other.

(8) Reinstall the secondary retaining clip over the spring-lock coupler cage.

(9) Evacuate the refrigerant system (Refer to 24 - HEATING & AIR CONDITIONING/PLUMBING - STANDARD PROCEDURE - REFRIGERANT SYSTEM EVACUATE).

(10) Charge the refrigerant system (Refer to 24 - HEATING & AIR CONDITIONING/PLUMBING - STANDARD PROCEDURE - REFRIGERANT SYSTEM CHARGE).

UNDERBODY LINES

REMOVAL

WARNING: Refer to the applicable warnings and cautions for this system before performing the following operation (Refer to 24 - HEATING & AIR CONDITIONING/PLUMBING - WARNINGS) and (Refer to 24 - HEATING & AIR CONDITIONING/PLUMBING - CAUTIONS). Failure to follow the warnings and cautions could result in possible personal injury or death.

NOTE: The underbody refrigerant lines for the optional rear A/C system are serviced in five sections. Two sections are connected the A/C compressor. Two sections of the underbody suction line (low-side) are connected together by a tapping block with an O-ring seal. The underbody A/C discharge line uses a spring-lock type refrigerant line coupler with an O-ring seal.

DISCHARGE LINE

(1) Remove the cover from the rear A/C evaporator housing (Refer to 24 - HEATING & AIR CONDIT-

IONING/DISTRIBUTION - REAR/A/C EVAPORATOR COVER-REAR - REMOVAL).

(2) Recover the refrigerant from the rear refrigerant system (Refer to 24 - HEATING & AIR CONDITIONING/PLUMBING - STANDARD PROCEDURE - REFRIGERANT RECOVERY).

(3) Raise and support the vehicle.

(4) Using the proper A/C line disconnect tool, disconnect the underbody discharge line spring-lock coupler from the compressor section of the underbody discharge line and remove and discard the O-ring seal (Refer to 24 - HEATING & AIR CONDITIONING/PLUMBING/REFRIGERANT LINE COUPLER - REMOVAL) (Fig. 39).

(5) Disconnect the underbody discharge line from the rear A/C discharge line and remove and discard the O-ring seal.

(6) Install plug in, or tape over all of the opened discharge line fittings.

(7) Disengage the fuel lines from the retaining clip located near the transmission and position the fuel lines out of the way.

(8) Remove the screws and brackets that secure the discharge line to the underneath of the vehicle.

(9) Support transmission with a suitable lifting device and remove the rear transmission crossmember (Refer to 13 - FRAME & BUMPERS/FRAME/REAR CROSSMEMBER-TRANSMISSION - REMOVAL).

(10) Remove the underbody discharge line from the vehicle. Push the discharge line forward and over the transmission, then pull it rearward to remove.

(11) If necessary, remove the bolt that secures the compressor section of the underbody discharge line to the A/C compressor and remove and discard the O-ring seal. Make sure to plug in, or tape over the opened discharge line fitting and compressor port.

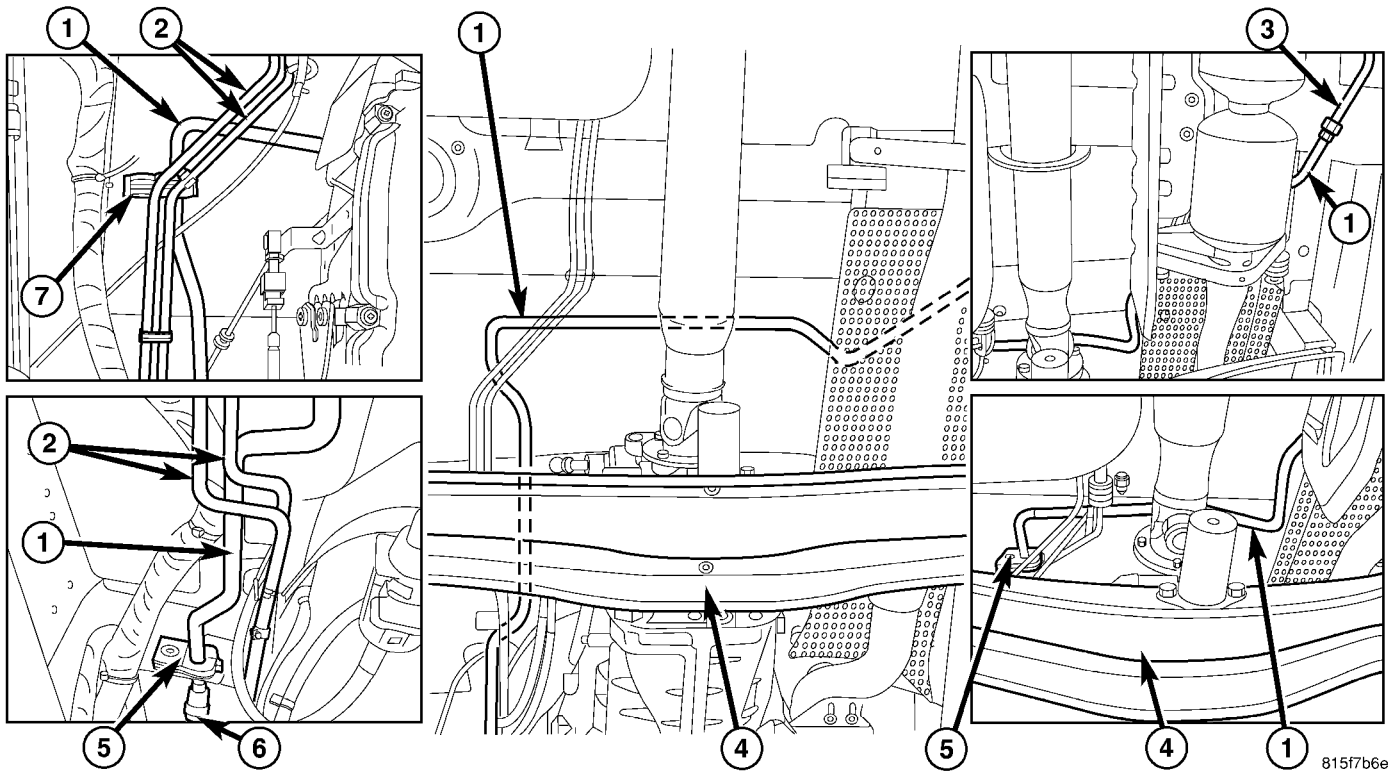


Fig. 39 Underbody Discharge Line

1 - UNDERBODY DISCHARGE LINE
 2 - FUEL LINES
 3 - REAR A/C DISCHARGE
 4 - REAR TRANSMISSION CROSSMEMBER

5 - SCREW AND BRACKET (2)
 6 - DISCHARGE LINE-COMPRESSOR SECTION
 7 - RETAINING CLIP

8157b6e

SUCTION LINE - FRONT SECTION

(1) Remove the cover from the rear A/C evaporator housing (Refer to 24 - HEATING & AIR CONDITIONING/DISTRIBUTION - REAR/A/C EVAPORATOR COVER-REAR - REMOVAL).

(2) Recover the refrigerant from the rear refrigerant system (Refer to 24 - HEATING & AIR CONDITIONING/PLUMBING - STANDARD PROCEDURE - REFRIGERANT RECOVERY).

(3) Raise and support the vehicle.

(4) Disconnect the connection of the front section of the underbody suction line from the compressor section of the underbody suction line and remove and discard the O-ring seal (Fig. 40).

(5) Remove the bolt that secures the connection of the front section of the underbody suction line to the rear section of the underbody suction line.

(6) Disconnect the front section of the underbody suction line from the rear section and remove and discard the O-ring seal.

(7) Install plug in, or tape over all of the opened suction line fittings.

(8) Remove the screws and brackets that secure the front section of the underbody suction line to the underneath of the vehicle and remove the front section of the suction line.

(9) If necessary, remove the bolt that secures the compressor section of the underbody suction line to the A/C compressor and remove and discard the O-ring seal. Make sure to plug in, or tape over the opened underbody suction line fitting and compressor port.

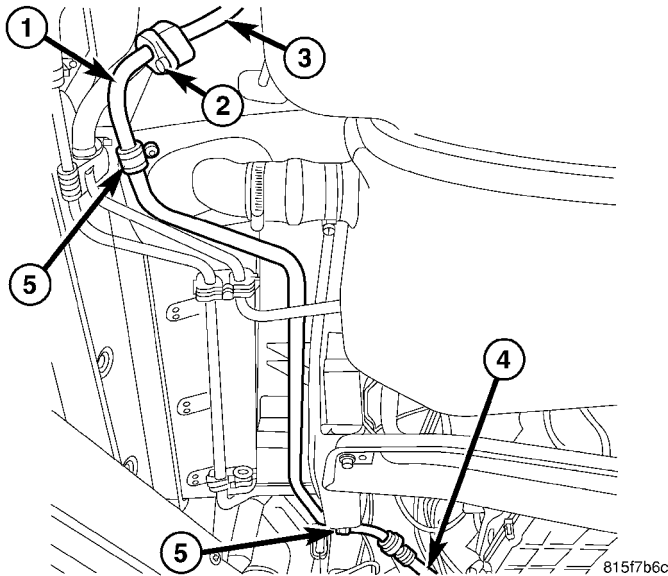


Fig. 40 Underbody Suction Line - Front Section

- 1 - UNDERBODY SUCTION LINE-FRONT SECTION
- 2 - BOLT
- 3 - UNDERBODY SUCTION LINE-REAR SECTION
- 4 - SUCTION LINE-COMPRESSOR SECTION
- 5 - SCREW AND BRACKET (2)

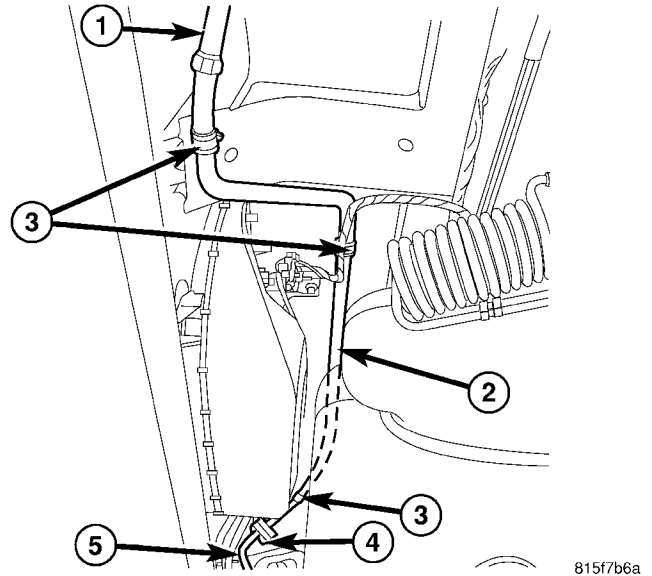


Fig. 41 Underbody Suction Line - Rear Section

- 1 - REAR A/C DISCHARGE LINE
- 2 - UNDERBODY SUCTION LINE-REAR SECTION
- 3 - SCREW AND BRACKET (3)
- 4 - BOLT
- 5 - UNDERBODY SUCTION LINE-FRONT SECTION

SUCTION LINE - REAR SECTION

- (1) Remove the cover from the rear A/C evaporator housing (Refer to 24 - HEATING & AIR CONDITIONING/DISTRIBUTION - REAR/A/C EVAPORATOR COVER-REAR - REMOVAL).
- (2) Recover the refrigerant from the rear refrigerant system (Refer to 24 - HEATING & AIR CONDITIONING/PLUMBING - STANDARD PROCEDURE - REFRIGERANT RECOVERY).
- (3) Raise and support the vehicle.
- (4) Remove the bolt that secures the connection of the front section of the underbody suction line to the rear section of the underbody suction line (Fig. 41).
- (5) Disconnect the front section of the underbody suction line from the rear section and remove and discard the O-ring seal.
- (6) Disconnect the rear section of the underbody suction line from the rear A/C suction line and remove and discard the O-ring seal.
- (7) Install plug in, or tape over all of the opened suction line fittings.
- (8) Remove the screws and brackets that secure the rear section of the underbody suction line to the underneath of the vehicle and remove the rear section of the suction line.

INSTALLATION

DISCHARGE LINE

- (1) If the compressor section of the underbody discharge line was removed from the A/C compressor, remove plugs or tape from the discharge line fitting, lubricate a new rubber O-ring seal with clean refrigerant oil, install it onto the discharge line fitting and install the bolt that secures the discharge line to the compressor. Tighten the bolt to 21 N·m (15 ft. lbs.).
- (2) Position the underbody discharge line to the vehicle.
- (3) Install the brackets and screws that secure the underbody discharge line to the underneath of the vehicle. Tighten the screws to 8 N·m (70 in. lbs.).
- (4) Engage the fuel lines to the retaining clips located near the transmission.
- (5) Install the rear transmission crossmember (Refer to 13 - FRAME & BUMPERS/FRAME/REAR CROSSMEMBER-TRANSMISSION - INSTALLATION).
- (6) Remove the plugs or tape from the discharge line fittings.
- (7) Lubricate new rubber O-ring seals with clean refrigerant oil and install them onto the discharge line fittings.
- (8) Connect the underbody discharge line spring-lock coupler to the compressor section of the discharge line and install the secondary retaining clip (if equipped) (Refer to 24 - HEATING & AIR CONDITIONING/PLUMBING/REFRIGERANT LINE COUPLER - INSTALLATION).

(9) Connect the rear A/C discharge line to the underbody discharge line. Tighten the nut to 35 N·m (26 ft. lbs.).

(10) Lower the vehicle.

(11) Evacuate the rear refrigerant system (Refer to 24 - HEATING & AIR CONDITIONING/PLUMBING - STANDARD PROCEDURE - REFRIGERANT SYSTEM EVACUATE).

(12) Charge the rear refrigerant system (Refer to 24 - HEATING & AIR CONDITIONING/PLUMBING - STANDARD PROCEDURE - REFRIGERANT SYSTEM CHARGE).

(13) Install the cover onto the rear A/C evaporator housing (Refer to 24 - HEATING & AIR CONDITIONING/DISTRIBUTION - REAR/A/C EVAPORATOR COVER-REAR - INSTALLATION).

SUCTION LINE - FRONT SECTION

(1) If the compressor section of the underbody suction line was removed from the A/C compressor, remove plugs or tape from the suction line fitting, lubricate a new rubber O-ring seal with clean refrigerant oil, install it onto the suction line fitting and install the bolt that secures the suction line to the compressor. Tighten the bolt to 21 N·m (15 ft. lbs.).

(2) Position the front section of the underbody suction line to the vehicle.

(3) Install the brackets and screws that secure the front section of the underbody suction line to the underneath of the vehicle. Tighten the screws to 8 N·m (70 in. lbs.).

(4) Remove the plugs or tape from the suction line fittings.

(5) Lubricate new rubber O-ring seals with clean refrigerant oil and install them onto the suction line fittings.

(6) Connect the front section of the underbody suction line to the compressor section of the suction line. Tighten the nut to 35 N·m (26 ft. lbs.).

(7) Connect the front section of the underbody suction line to the rear section of the suction line and install the retaining bolt. Tighten the bolt to 25 N·m (18 ft. lbs.).

(8) Lower the vehicle.

(9) Evacuate the rear refrigerant system (Refer to 24 - HEATING & AIR CONDITIONING/PLUMBING - STANDARD PROCEDURE - REFRIGERANT SYSTEM EVACUATE).

(10) Charge the rear refrigerant system (Refer to 24 - HEATING & AIR CONDITIONING/PLUMBING - STANDARD PROCEDURE - REFRIGERANT SYSTEM CHARGE).

(11) Install the cover onto the rear A/C evaporator housing (Refer to 24 - HEATING & AIR CONDITIONING/DISTRIBUTION - REAR/A/C EVAPORATOR COVER-REAR - INSTALLATION).

SUCTION LINE - REAR SECTION

(1) Position the rear section of the underbody suction line to the vehicle.

(2) Install the brackets and screws that secure the rear section of the underbody suction line to the underneath of the vehicle. Tighten the screws to 8 N·m (70 in. lbs.).

(3) Remove the plugs or tape from the suction line fittings.

(4) Lubricate new rubber O-ring seals with clean refrigerant oil and install them onto the suction line fittings.

(5) Connect the rear section of the underbody suction line to the front section of the suction line and install the retaining bolt. Tighten the bolt to 25 N·m (18 ft. lbs.).

(6) Connect the rear section of the underbody suction line to the rear A/C suction line. Tighten the nut to 35 N·m (26 ft. lbs.).

(7) Lower the vehicle.

(8) Evacuate the rear refrigerant system (Refer to 24 - HEATING & AIR CONDITIONING/PLUMBING - STANDARD PROCEDURE - REFRIGERANT SYSTEM EVACUATE).

(9) Charge the rear refrigerant system (Refer to 24 - HEATING & AIR CONDITIONING/PLUMBING - STANDARD PROCEDURE - REFRIGERANT SYSTEM CHARGE).

(10) Install the cover onto the rear A/C evaporator housing (Refer to 24 - HEATING & AIR CONDITIONING/DISTRIBUTION - REAR/A/C EVAPORATOR COVER-REAR - INSTALLATION).

CABIN HEATER

TABLE OF CONTENTS

	page		page
CABIN HEATER		REMOVAL	108
DESCRIPTION	104	INSTALLATION	109
OPERATION	104	HEATER UNIT	
DIAGNOSIS AND TESTING		REMOVAL	
SUPPLEMENTAL CABIN HEATER	104	HEATER UNIT	110
EXHAUST TUBE		WIRE HARNESS	110
REMOVAL	105	INSTALLATION	
INSTALLATION	106	HEATER UNIT	110
FUEL DOSING PUMP		WIRE HARNESS	111
DESCRIPTION	106	INLET HOSE	
OPERATION	106	REMOVAL	111
REMOVAL	106	INSTALLATION	112
INSTALLATION	107		
FUEL LINE			
STANDARD PROCEDURE			
CLEANING	107		

CABIN HEATER

DESCRIPTION

Vehicles equipped with the diesel engine are also equipped with a supplemental cabin heater. This cabin heater is mounted under the vehicle and operates similar to an oil fired furnace. The heater burns small amounts of fuel to provide additional heat to the coolant. Coolant is routed from the engine, to the supplemental cabin heater and then to the front heater core. This provides additional heat to the passenger compartment. The supplemental cabin heater system is interfaced to the vehicles on-board computer systems and DRBIII® diagnostics.

The supplemental cabin heater has an electronic control module that monitors the heat output of the heater. The cabin heater operates at full load (5 kW), half load or idle mode (no additional heat) depending on engine coolant temperature.

OPERATION

The supplemental cabin heater is activated by using the temperature control on the A/C-heater control. The supplemental cabin heater is activated when the temperature control is set to/or above the upper set point. The supplemental cabin heater can operate in a full or partial load range as well as an idle mode, all dependent on the engine coolant temperature. The heater unit will also turn off if the temperature control is set to less than the lower set point. The supplemental cabin heater can take up to three minutes to completely shut down when either

the heater temperature is set below the lower set point or the vehicle ignition is turned off.

The supplemental cabin heater only operates when the engine is running, the mileage exceeds 8 kilometer (5 mph) and the fuel tank volume exceeds 1/8 of a tank. The heater should start if the coolant temperature is below 40° C (104° F).

NOTE: Do not apply a strong vacuum directly on the supplemental cabin heater exhaust line. Place the vacuum within 75 mm (3 inches) of the exhaust port. Too strong of a vacuum can prevent the heater from starting. The heater control module monitors the blower speed and combustion during its start-up.

DIAGNOSIS AND TESTING

SUPPLEMENTAL CABIN HEATER

Refer to the Symptoms Diagnosis table for basic checks of the diesel fueled supplemental cabin heater.

SYMPTOMS DIAGNOSIS

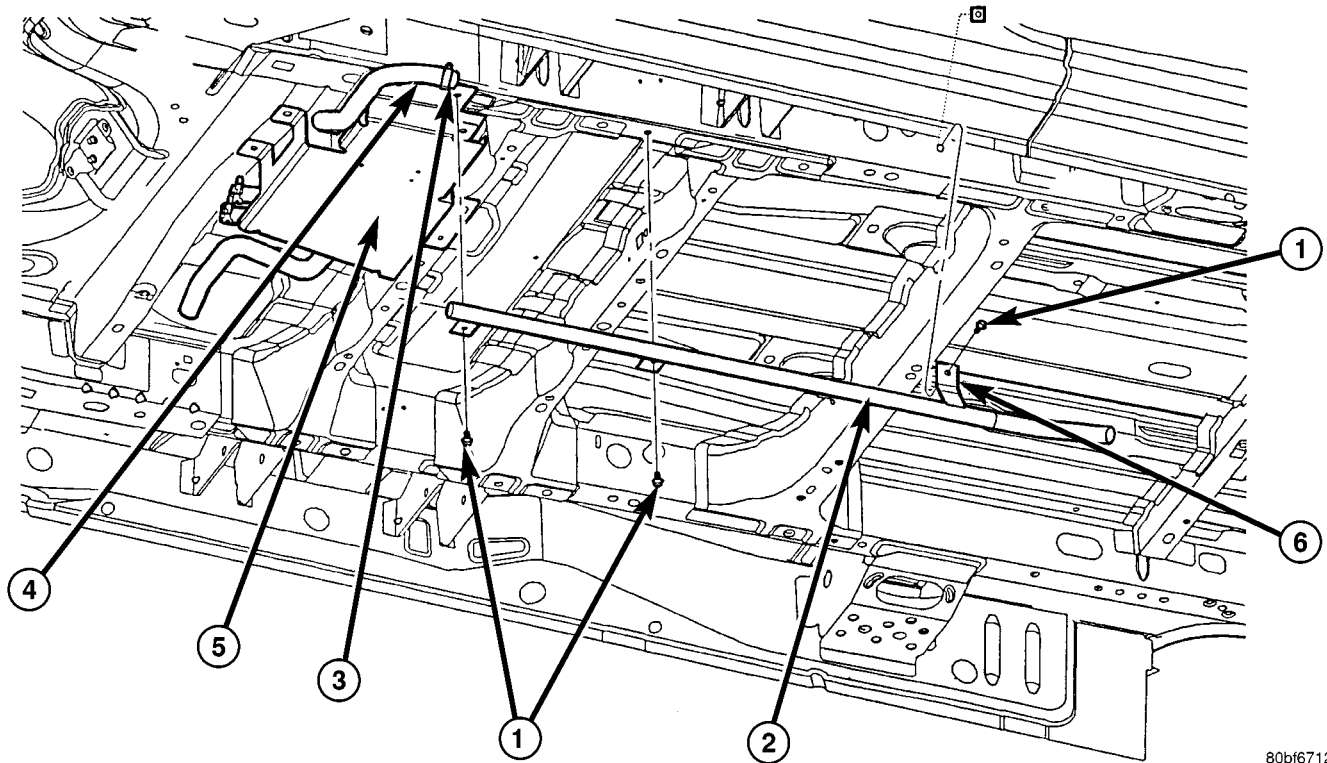
Symptom	Possible Causes
Smell of diesel fuel.	Check cabin heater system integration in vehicle's fuel system. Check fuel lines for leakage, kinks or obstructions. If OK, Inspect the inlet muffler, drain as necessary. Re-test the cabin heater and re-inspect. Inspect the exhaust tube and cabin heater for the presence of external fuel. If presence of external fuel is observed on the heater unit or in the exhaust tube or after draining and testing. Remove the cabin heater from vehicle and repair or replace components as required.
Heater does not achieve full load operation.	Check cabin heater operation with DRBIII® scan tool and replace components as required.
Continuous white smoke from heater exhaust during combustion operation.	Check cabin heater operation with DRBIII® scan tool and replace components as required. White smoke is typical in extreme weather conditions.
Heater can not be switched off.	Check cabin heater operation with DRBIII® scan tool and replace components as required.
Heater does not operate.	Diagnosis cabin heater control module using the DRBIII® scan tool and the procedures listed in Vehicle Performance under Cabin Heater Diagnosis in Group 18.
Loss of coolant (Leakage) or heater develops smoke during combustion operation and exhaust has an extremely sweet smell.	Inspect coolant hoses for leakage, kinks or loose hose connection. Inspect the exhaust tube assembly for continuous flow, if OK there is an internal heater leak and cabin heater should be inspected and components should be replaced as required.
Loss of fuel (dripping).	Check cabin heater system integration in vehicles fuel system. Check fuel line connection for leakage. If OK there is an internal leak and cabin heater should be inspected and replaced as required.

EXHAUST TUBE

REMOVAL

WARNING: There is a potential danger of skin burns as the supplemental cabin heater unit and its components can become very hot. Make sure the heater unit is allowed to cool down before any service work on the cabin heater system is attempted. Failure to observe this warning may result in possible personal injury.

- (1) Raise and support the vehicle while taking note of the location of the flexible exhaust tube section.
- (2) Remove the exhaust clamp at the flexible pipe and steel pipe connection (Fig. 1).



80bf6712

Fig. 1 Cabin Heater Exhaust System

1 - MOUNTING SCREW (3)
2 - STEEL HEATER EXHAUST PIPE
3 - EXHAUST CLAMP (2)

4 - FLEXIBLE HEATER EXHAUST PIPE
5 - HEATER SHIELD
6 - EXHAUST PIPE MOUNTING CLIP (3)

(3) Remove the clamp at the flexible pipe connection and the supplemental heater housing (if required).

(4) Remove the three screws holding the exhaust pipe to the body.

(5) Remove the steel exhaust pipe from the vehicle.

(6) Remove the flexible exhaust pipe from the vehicle (if required).

INSTALLATION

(1) Install the flexible exhaust pipe to the heater unit. Tighten mounting clamp securely.

(2) Position the steel exhaust pipe to the flexible exhaust and install and tighten the mounting clamp securely.

(3) Install the three exhaust pipe screws, adjust pipe placement as needed and tighten the screws securely.

(4) Install the clamp to connect the steel exhaust pipe to the flexible exhaust pipe and tighten clamp securely.

(5) Check exhaust pipe exhaust end placement and make any final adjustments.

(6) Lower the vehicle.

FUEL DOSING PUMP

DESCRIPTION

The dosing pump is a combined delivery, dosing and shut-off system for the fuel supply to the supplemental cabin heater from the vehicle fuel tank.

OPERATION

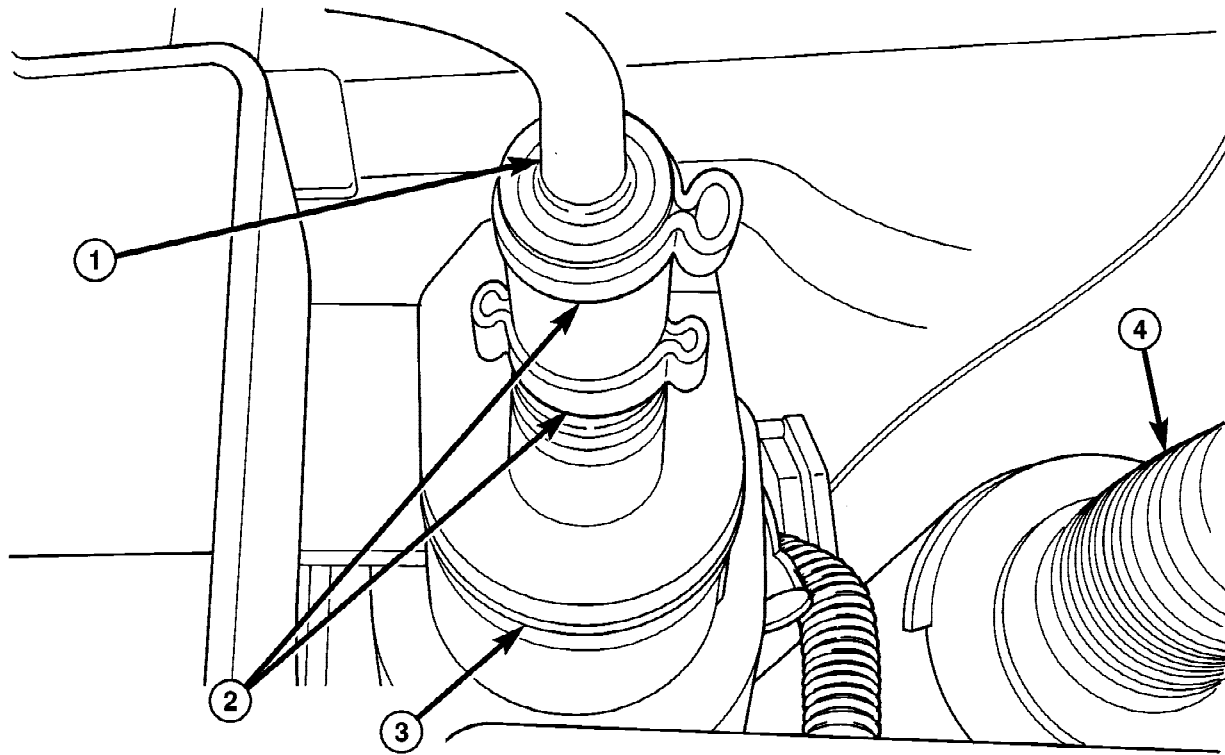
The dosing pump is an electrically operated pump that receives its operation instructions from the supplemental cabin heater control module. The pump supplies diesel fuel from the vehicle fuel tank to the cabin heater.

REMOVAL

NOTE: The dosing pump is serviceable without removing the component from the vehicle.

(1) Disconnect the rubber hose at the fuel line to heater fuel pump. Leave the rubber hose on the fuel line (Refer to 24 - HEATING & AIR CONDITIONING/CABIN HEATER/FUEL LINE - REMOVAL) (Fig. 2).

(2) Disconnect the fuel line between the dosing pump and the cabin heater unit.



80bf93c6

Fig. 2 Cabin Heater Dosing Pump Fuel Line

1 - FUEL LINE
2 - RETAINING CLAMP

3 - DOSING PUMP
4 - HEATER AIR INTAKE PIPE

NOTE: Position and retain the heater fuel line to prevent fuel leakage while servicing the dosing pump.

NOTE: Utilize an approved fuel storage container to catch any residual fuel.

(3) Disconnect the wiring harness connector to the fuel pump by depressing the integral spring and pulling the connector away from the pump.

(4) Remove the dosing pump from the rubber isolator.

INSTALLATION

(1) Install the dosing pump onto the rubber isolator.

(2) Connect the fuel lines to the dosing pump and the cabin heater unit.

NOTE: The connectors should point towards the cabin heater fuel line.

(3) Use aviation style clamps to attach the hose to the fuel pump nipples (Refer to 24 - HEATING & AIR CONDITIONING/CABIN HEATER/FUEL LINE - INSTALLATION).

(4) Connect the wire harness connector to the fuel pump by depressing the integral spring and pushing

the connector towards the dosing pump. Pull the connector towards the cabin heater to verify the installation.

(5) Verify function of the supplemental cabin heater.

FUEL LINE

STANDARD PROCEDURE

CLEANING

(1) Remove the cabin heater fuel line (Refer to 24 - HEATING & AIR CONDITIONING/CABIN HEATER/FUEL LINE - REMOVAL).

(2) With the cabin heater fuel line removed from the vehicle, place a shop cloth on the fuel tank end of the fuel line to catch any residue, then apply a small amount of air pressure to the other end of the fuel line.

(3) Check to see if air pressure is coming from the tank end of the line. If pressure is flowing unrestricted the line is clean.

(4) If the fuel line shows any signs of being restricted after air pressure is applied, the fuel line should be replaced.

(5) Install the cabin heater fuel line (Refer to 24 - HEATING & AIR CONDITIONING/CABIN HEATER/FUEL LINE - INSTALLATION).

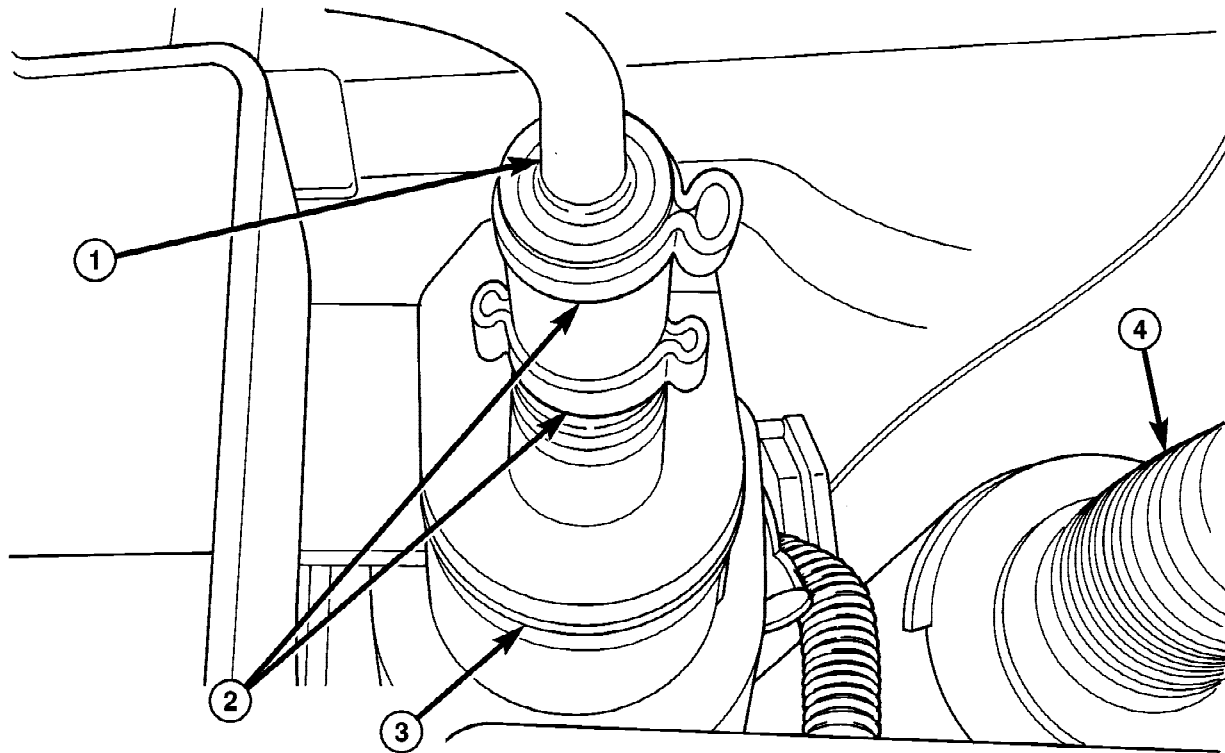
(6) Verify function of the cabin heater.

REMOVAL

(1) Raise and support the vehicle. Take note of the location of the flexible section of the cabin heater exhaust tube.

NOTE: Have an approved fuel holding device ready to capture any diesel fuel that drains from the fuel line or cabin heater unit.

(2) Remove clamps on dosing pump end of fuel line and separate line from the pump (Fig. 3).



80bf93c6

Fig. 3 Cabin Heater Dosing Pump Fuel Line

1 - FUEL LINE
2 - RETAINING CLAMP

3 - DOSING PUMP
4 - HEATER AIR INTAKE PIPE

(3) Remove clamp from the fuel line at the fuel tank connection and separate the line from the tank.

(4) Remove any retaining clips and remove the fuel line from vehicle.

INSTALLATION

WARNING: Do not operate the diesel supplemental cabin heater in an enclosed area such as a garage that does not have exhaust ventilation facilities. Always vent the cabin heater exhaust when operating the cabin heater. Allow the diesel supplemental cabin heater to cool before performing any service procedures to the cabin heater. Verify that all diesel supplemental cabin heater fuel lines are securely fastened to their respective components before performing any service procedures to the cabin heater. Failure to follow these warnings may result in possible personal injury or death.

NOTE: Verify that there is more than 1/8 of a tank of fuel in the vehicle's fuel tank before performing this procedure. Add fuel, if necessary.

(1) Install the cabin heater fuel supply line into vehicle and fuel line retainers.

(2) Install the fuel line connection at the fuel tank and tighten the connection securely.

(3) Install the fuel line at the dosing pump and tighten the connection securely.

(4) Lower the vehicle.

NOTE: Failure to prime the dosing pump after draining the supplemental cabin fuel line will prevent cabin heater activation during the first attempt to start the cabin heater. This will also set a diagnostic trouble code (DTC) in the cabin heater control's memory. Do not perform the Dosing Pump Priming procedure if an attempt was made to start the cabin heater without priming the dosing pump first. This will put excess fuel in the cabin heater and cause smoke to emit from the cabin heater exhaust pipe when cabin heater activation occurs.

(5) Connect the DRBIII® scan tool to the diagnostic link connector.

(6) Turn the ignition to the ON position.

NOTE: Do not activate the dosing pump prime more than one time. This will put excess fuel in the supplemental cabin heater and cause smoke to emit from the cabin heater exhaust pipe when cabin heater activation occurs.

NOTE: A clicking noise heard coming from the dosing pump indicates that the pump is operational.

(7) With the DRBIII® scan tool in Cabin Heater, select System Tests and Dosing Pump Prime. Allow the dosing pump to run for the full 45 second cycle time. When the 45 second cycle is complete, press Page Back on the DRBIII® scan tool key pad to exit the Dosing Pump Prime. The Dosing Pump Priming procedure is now complete.

HEATER UNIT

REMOVAL

HEATER UNIT

WARNING: Do not operate the diesel supplemental cabin heater in an enclosed area such as a garage that does not have exhaust ventilation facilities. Always vent the cabin heater exhaust when operating the cabin heater. Allow the diesel supplemental cabin heater to cool before performing any service procedures to the cabin heater. Verify that all diesel supplemental cabin heater fuel lines are securely fastened to their respective components before performing any service procedures to the cabin heater. Failure to follow these warnings may result in possible personal injury or death.

(1) Raise and support the vehicle. Take note of the location of the flexible section of the cabin heater exhaust tube.

(2) Drain the engine cooling system (Refer to 7 - COOLING - STANDARD PROCEDURE - DRAINING COOLING SYSTEM).

(3) Carefully open one hose to the underbody tube assembly and drain the remaining coolant. A salvage hose is a good idea to control the residual coolant, as flow will occur from both the cabin heater and the hose and tube assemblies.

(4) Remove the second hose from the underbody hose and tube assembly.

(5) Loosen the hose and tube assembly from the toe-board crossmember at two locations.

(6) Disconnect the electrical connector from the body harness near the toe-board crossmember and rail.

(7) Remove the wiring harness from the toe-board crossmember (Refer to 24 - HEATING & AIR CONDITIONING/CABIN HEATER/HEATER UNIT - REMOVAL - WIRE HARNESS).

(8) Open the fuel filler cap. Disconnect the rubber fuel hose between the body tube assembly and the fuel pump nipple at the body tube joint. A minimal amount of fuel may flow from the open port.

NOTE: Utilize an approved fuel storage container to catch any residual fuel.

(9) Loosen the two fasteners at the rail. Take care to notice that the exhaust tube bracket tab is on top of the heater bracket and that there are two spacer washers installed between the rubber grommets.

(10) Remove the flexible section of the cabin heater exhaust tube from the exhaust tube by loosening the clamp. Remove the hose from the exhaust tube. Removal of the rail tube assembly may aid in this service operation (Refer to 24 - HEATING & AIR CONDITIONING/CABIN HEATER/EXHAUST TUBE - REMOVAL).

(11) Remove seat hex nut at the heater mounting flange to crossmember.

(12) Loosen the remaining fasteners which mount the exhaust tube assembly to the vehicle.

(a) Install a suitable support device under the cabin heater and secure the cabin heater to the support.

(13) Loosen the remaining three fasteners to the crossmembers.

(14) Remove the loosened fasteners that support the cabin heater while supporting the weight of the heater.

(15) Swing the cabin heater mounting bracket from between the exhaust bracket and rail mounting location. Drain any residual coolant from the cabin heater.

(16) Remove the cabin heater from the vehicle.

WIRE HARNESS

(1) Raise and support the vehicle while taking note of the location of the flexible exhaust tube section.

(2) Disconnect the cabin heater wire harness connector from the vehicle wiring harness.

(3) Disconnect the cabin heater wire harness connector from the dosing pump.

(4) Disconnect the two cabin heater wire harness connectors from the cabin heater controller.

(5) Remove two wiring harness retainers from the underbody.

(6) Remove two wiring harness retainers from the cabin heater shield.

(7) Carefully route the cabin heater wire harness out the left side between the heater unit and the heater shield.

INSTALLATION

HEATER UNIT

(1) Install the cabin heater mounting bracket between the exhaust bracket and the rail mounting location.

(2) Support the cabin heater and install the fasteners that secure the cabin heater to the mounting bracket.

(3) Install the three fasteners to the crossmembers. Tighten the M6 fasteners to 7 N·m (62 in. lbs.).

(4) Position the two spacer washers between the body and the rubber grommets for the two mounting points on the rail.

(5) Tighten the remaining M6 fasteners to 7 N·m (62 in. lbs.) and the M8 fasteners to 23 N·m (17 ft. lbs.) which mount the exhaust tube assembly to the vehicle.

(6) Install the seat hex nut at the heater mounting flange to the crossmembers. Tighten the nut to 60 N·m (44 ft. lbs.)

(7) Install the flexible section of the cabin heater exhaust tube to the exhaust tube. Tighten the M6 bolt of the clamp securley. Install the hose to the exhaust tube.

(8) Tighten the two M8 fasteners at the rail to 23 N·m (17 ft. lbs.). Taking care so that the exhaust tube bracket tab is on the top of the heater bracket.

(9) Install the wiring harness (Refer to 24 - HEATING & AIR CONDITIONING/CABIN HEATER/HEATER UNIT - INSTALLATION - WIRE HARNESS).

(10) Tighten the hose and tube assembly to the toe-board crossmember at two locations.

(11) Install the second hose to the underbody hose and tube assembly.

(12) Connect the rubber fuel hose between the body tube assembly and the fuel pump nipple at the body tube joint. Close the fuel fill cap.

(13) Remove the cabin heater support device from under the vehicle.

(14) Lower the vehicle.

(15) Fill the engine cooling system (Refer to 7 - COOLING - STANDARD PROCEDURE - COOLING SYSTEM FILL).

(16) Verify function of the heater unit.

WIRE HARNESS

(1) Carefully route the cabin heater wire harness from the left side between the heater unit and the heater shield.

(2) Install the two wiring harness retainers to the cabin heater shield.

(3) Route the wiring harness along the underside of the vehicle and install the two wiring harness retainers to the underbody.

(4) Connect the two cabin heater wire harness connectors to the cabin heater controller.

(5) Connect the cabin heater wire harness to the dosing pump.

(6) Connect the cabin heater wire harness connector to the vehicle wiring harness.

(7) Lower the vehicle.

(8) Verify function of the heater unit.

INLET HOSE

REMOVAL

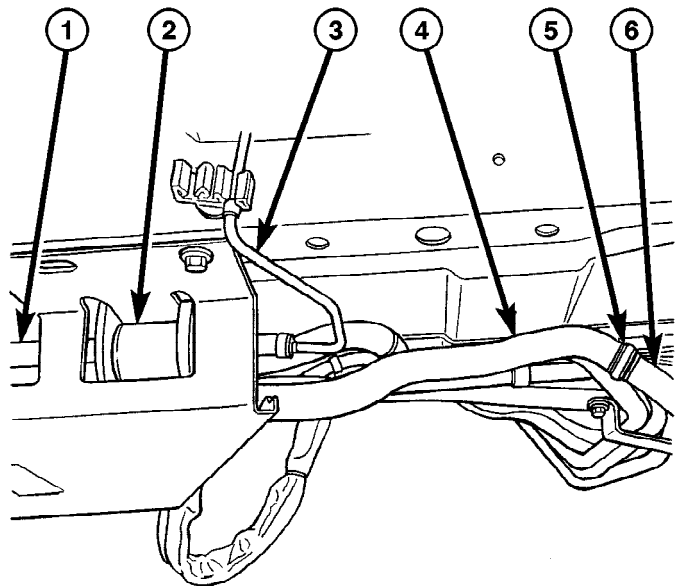
NOTE: The air intake tube for the supplemental cabin heater is part of an assembly that includes the heater cooling intake and return pipes. If the cabin heater air intake tube requires removal or replacement the entire cabin heater assembly will require removal or replacement.

(1) Drain the engine cooling system (Refer to 7 - COOLING - STANDARD PROCEDURE - DRAINING COOLING STSTEM).

(2) Remove clamps from the cabin heater tubes at the lower heater port and the lower EGR connector which are located under the hood.

(3) Remove the retaining clamp at the cabin heater air intake muffler connection (Refer to 24 - HEATING & AIR CONDITIONING/CABIN HEATER/INLET MUFFLER - REMOVAL).

(4) Remove the clamp at the flexible tube to steel tube connection (Fig. 4).



80c0b19e

Fig. 4 Cabin Heater Flexible Air Intake Line

- 1 - CABIN HEATER AND SPLASH SHIELD
- 2 - DOSING PUMP
- 3 - DOSING PUMP FUEL LINE
- 4 - FLEXIBLE INTAKE LINE
- 5 - CLAMP
- 6 - STEEL INTAKE PIPE

(5) Remove the two retaining screws and remove pipe assembly (Fig. 5).

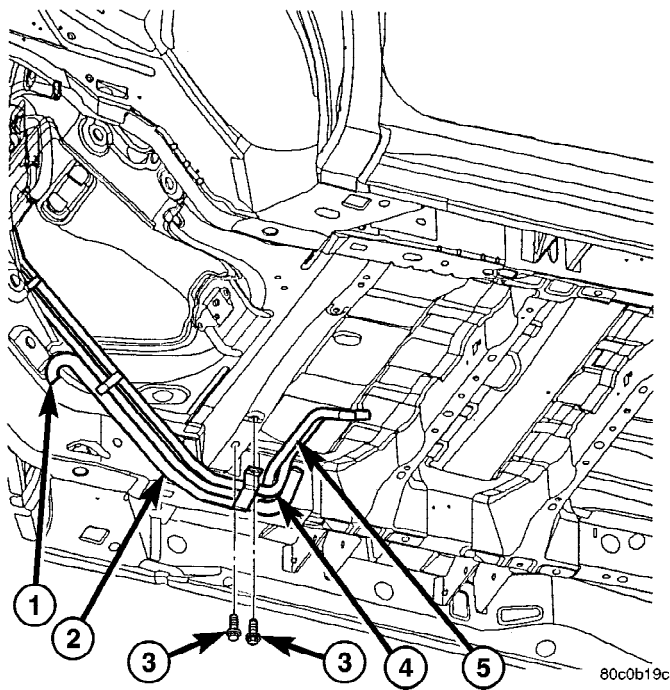


Fig. 5 Cabin Heater Air Intake And Heater Pipe Assembly

- 1 - INTAKE TUBE AIR INTAKE
- 2 - INTAKE PIPE
- 3 - RETAINING SCREWS
- 4 - INTAKE HEATER LINE
- 5 - RETURN HEATER LINE

INSTALLATION

(1) Install the air intake pipe assembly and install the two retaining screws. Tighten the screws to 7 N·m (62 in. lbs.).

(2) Attach the steel tube to the flexible tube and position and then tighten the retaining clamp securely.

(3) Install the flexible tube to the cabin heater air intake muffler and install and tighten the retaining clamp securely.

(4) Install the cabin heater tubes to the lower heater connection and the lower EGR cooler connection and tighten the retaining clamps.

(5) Lower the vehicle.

(6) Refill the engine cooling system (Refer to 7 - COOLING - STANDARD PROCEDURE - COOLING SYSTEM FILL).

(7) Verify function of the heater unit.

EMISSIONS CONTROL

TABLE OF CONTENTS

	page		page
EVAPORATIVE EMISSIONS	1	EXHAUST GAS RECIRCULATION	4

EVAPORATIVE EMISSIONS

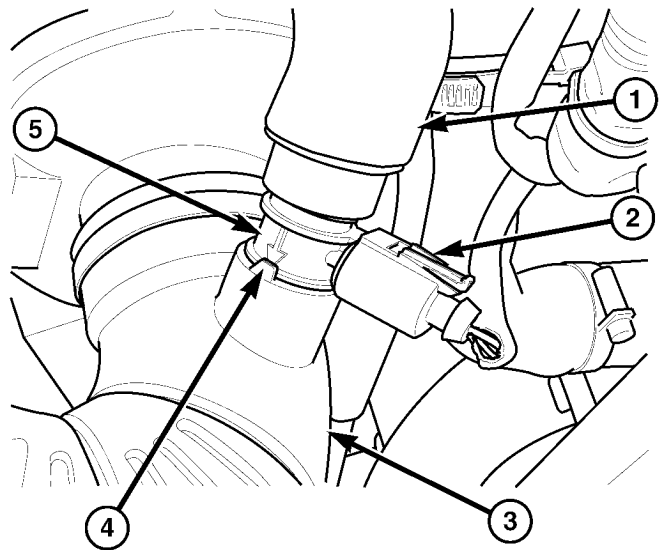
TABLE OF CONTENTS

	page		page
CRANKCASE VENTILATION HEATER		REMOVAL	2
REMOVAL	1	INSTALLATION	3
INSTALLATION	1		
CRANKCASE VENTILATION BREATHER			
DESCRIPTION	2		

CRANKCASE VENTILATION HEATER

REMOVAL

- (1) Disconnect the negative battery cable.
- (2) Remove the turbocharger heat shield.
- (3) Disconnect the CCV heater wiring harness connector.
- (4) Using a slight twisting motion, separate the CCV breather tube from the heater.
- (5) Separate the CCV heater from the turbocharger air inlet duct.



812c4fb3

Fig. 1 CCV HEATER

- 1 - BREATHER HOSE
- 2 - HARNESS CONNECTOR
- 3 - TURBOCHARGER INLET HOSE
- 4 - HEATER ALIGNMENT AREA
- 5 - CCV HEATER

INSTALLATION

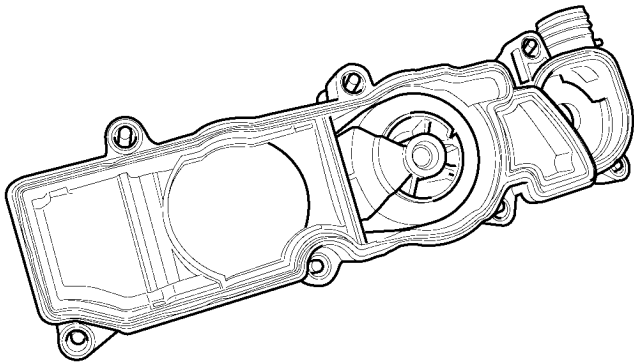
- (1) Clean all mating surfaces.
- (2) Insert the CCV heater into the turbocharger inlet hose aligning the arrow on the heater with the tab on the hose (Fig. 1).
- (3) Connect and properly seat the CCV breather hose on the CCV heater (Fig. 1).

- (4) Connect the wiring harness connector to the CCV heater (Fig. 1).
- (5) Install the turbocharger heat shield.
- (6) Connect the negative battery cable.

CRANKCASE VENTILATION BREATHER

DESCRIPTION

The crankcase ventilation breather is a three staged, filtered, oil separating breather with a oil return passage into the cylinder head cover (Fig. 2). The oil separator removes oil from the blow by gasses to reduce MAF sensor contamination. For service procedures refer to (Refer to 25 - EMISSIONS CONTROL/EVAPORATIVE EMISSIONS/CCV RESTRICTER - REMOVAL).

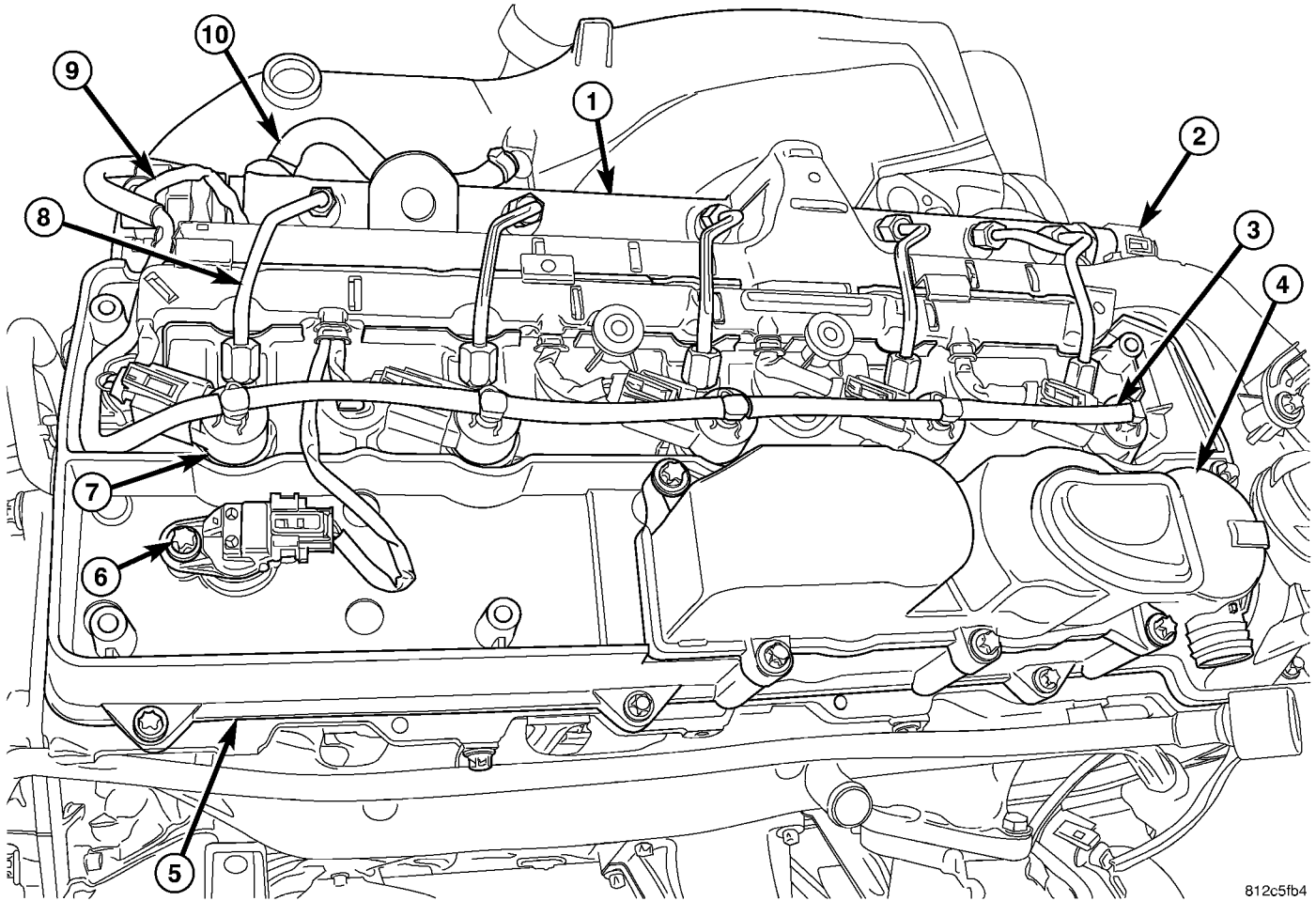


812c6709

Fig. 2 CCV BREATHER

REMOVAL

- (1) Remove the engine cover.
- (2) Disconnect the breather outlet hose at the breather (Fig. 3).
- (3) Remove the breather fasteners (Fig. 3).
- (4) Wiggle the breather free from the cylinder head cover (Fig. 3).



812c5fb4

Fig. 3 CCV BREATHER

- | | |
|-------------------------------|---|
| 1 - FUEL RAIL | 6 - CAM POSITION SENSOR |
| 2 - FUEL RAIL PRESSURE SENSOR | 7 - FUEL INJECTOR |
| 3 - FUEL INJECTOR RETURN LINE | 8 - HIGH PRESSURE FUEL INJECTOR SUPPLY LINE |
| 4 - CCV BREATHER | 9 - FUEL PRESSURE SOLENOID |
| 5 - CYLINDER HEAD COVER | 10 - FUEL RAIL SUPPLY LINE |

INSTALLATION

- (1) Remove the oil fill cap, clean the oil return passage in the cylinder head cover, then blow out with low pressure compressed air.
- (2) Clean mating surfaces.
- (3) Install the CCV breather and tighten fasteners to 11 N-m (97 in.lbs.) (Fig. 3).
- (4) Connect the CCV breather outlet hose (Fig. 3).
- (5) Install the engine cover (Refer to 9 - ENGINE - INSTALLATION).

EXHAUST GAS RECIRCULATION

TABLE OF CONTENTS

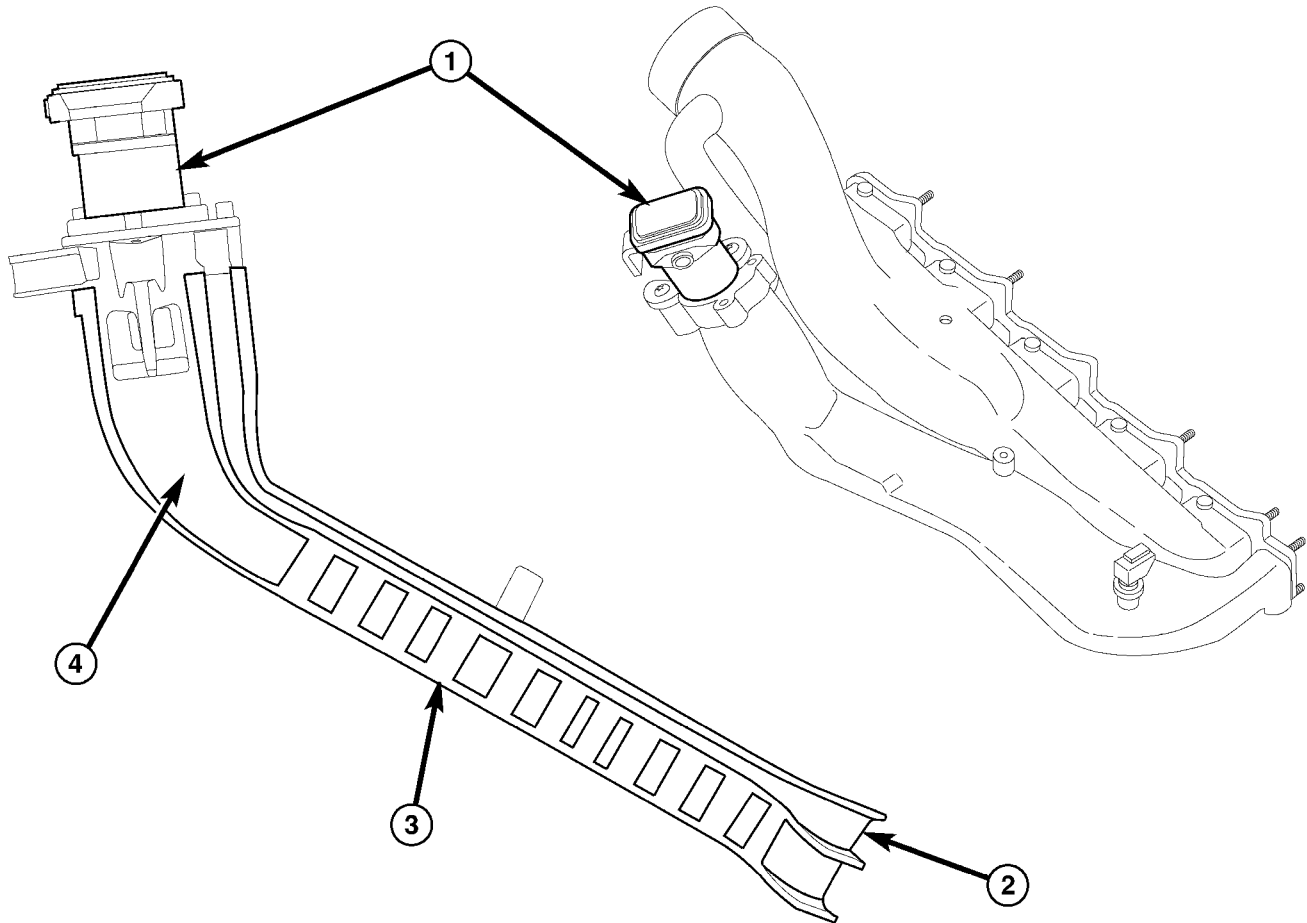
	page		page
EXHAUST GAS RECIRCULATION		REMOVAL	6
DESCRIPTION	4	INSTALLATION	6
VALVE		VALVE COOLER	
DESCRIPTION	5	DESCRIPTION	6
OPERATION	6		

EXHAUST GAS RECIRCULATION

DESCRIPTION

The EGR system can provide up to 35% exhaust gas recirculation. The EGR operates during all engine speed and load conditions. At wide open throttle, it provides a 5% recirculation rate. The EGR shuts down during high engine idle to avoid carbon build up on the valve. The EGR also deactivates if the EGR temperature is too high. The EGR also has a self cleaning function that opens and closes twice after the engine has been shut off to eliminate soot deposits.

Apart from the charge air distribution manifold and the mixing chamber, the intake manifold also includes a finned EGR cooler. Coolant flows through the cooler to reduce the temperature of the recirculated gas after it was cooled by running through the cylinder head. The management of this temperature significantly reduces emissions (Fig. 1).



813d4301

Fig. 1 EGR AND COOLER

1 - EGR VALVE
2 - COOLANT PASSAGE

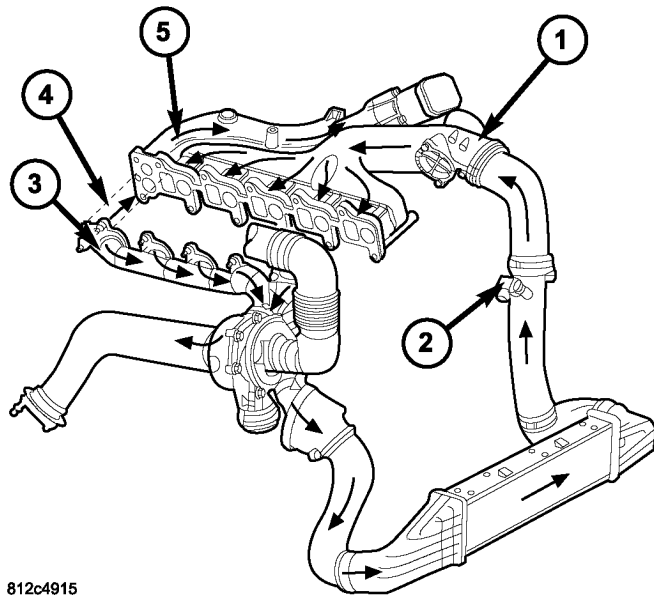
3 - COOLING FINNS
4 - EXHAUST GAS PASSAGE

VALVE

DESCRIPTION

Exhaust gas recirculation reduces the quantity of fresh air supplied to the cylinders per stroke without having to throttle the air supply. Exhaust gas is recirculated during all engine speed and engine load conditions. As a result, emissions are reduced. If a quantity of exhaust gas is mixed with the air that is to be used to burn the fuel in the cylinders, the oxygen content is reduced because the exhaust gas is low in oxygen. The result is that the combustion rate is reduced, as is the combustion temperature. This reduces the quantity of NOx that are emitted in the exhaust gas. (Fig. 2).

The ECM power supply relay has a power off delay feature. The relay is powered off approximately 15 seconds after the ignition switch is turned off. This allows for the self-cleaning function of the EGR valve and a function check of the sensors for diagnosis purposes.



812c4915

Fig. 2 EXHAUST GAS RECIRCULATION

- 1 - EGR VALVE
- 2 - CHARGE AIR PRESSURE SENSOR
- 3 - EXHAUST MANIFOLD
- 4 - EGR DUCT IN CYLINDER HEAD
- 5 - INTAKE MANIFOLD

OPERATION

The mass of the air supplied to the cylinders per stroke is the decisive factor for determining the optimum quantity of exhaust gas for the operating condition. This is calculated from the Mass Air Flow sensor information.

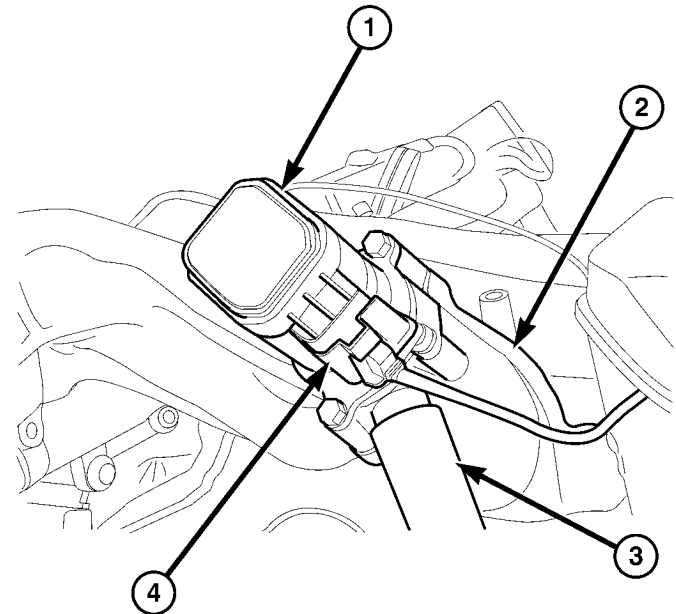
The ECM evaluates this signal as well as that from the Charge Air Pressure sensor, and outputs a PWM signal in accordance with one of the maps stored in it. The signal is sent to the exhaust gas recirculation valve. The map is formulated to keep the NOx as low as possible. The EGR valve is actuated by an electric positioning motor and has a self cleaning function. Every time the ignition switch is turned off, the valve rotates twice to eliminate any carbon deposits.

REMOVAL

NOTE: The EGR and EGR Cooler are serviced as an assembly.

- (1) Disconnect the negative battery cable.
- (2) Partailly drain the cooling system (Refer to 7 - COOLING/ENGINE/COOLANT - STANDARD PROCEDURE).
- (3) Lift up on the charge air hose retaining clip at the intake manifold and disconnect hose with seal
- (4) Disconnect the electrical connector at the EGR positioner (Fig. 3).

- (5) Disconnect the EGR cooler hose.
- (6) Remove the EGR fasteners and EGR with cooler assembly (Fig. 3).



812c1468

Fig. 3 EGR VALVE

- 1 - EGR VALVE
- 2 - INTAKE MANIFOLD
- 3 - EGR COOLER HOSE
- 4 - HARNESS CONNECTOR

INSTALLATION

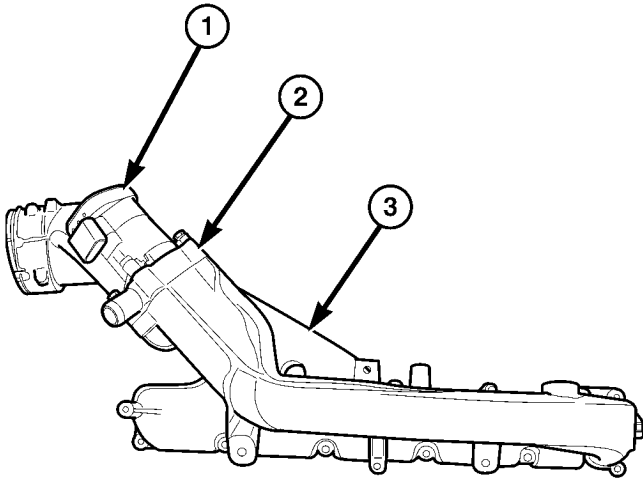
- (1) Clean all gasket mating surfaces.
- (2) Position the EGR positioner to the intake manifold with a new gasket, install bolts and tighten to 124 lbs.in (14 N·m) (Fig. 3).
- (3) Connect the EGR positioner electrical connector (Fig. 3).
- (4) Inspect the seal of the charge air inlet tube, replace as necessary (Fig. 3).
- (5) Seat the charge air tube with gasket into the intake manifold and push down on the charge air tube retaining clip.
- (6) Refill the cooling system (Refer to 7 - COOLING/ENGINE/COOLANT - STANDARD PROCEDURE).
- (7) Connect negative battery cable.

VALVE COOLER

DESCRIPTION

The exhaust gas recirculation (EGR) cooler is an integrated part of the EGR valve. Coolant flows around the exhaust gasses, cooling them before they are remixed with the incoming air and returned in the combustion chamber (Fig. 4).

The EGR valve and Cooler are serviced as an assembly, refer to (Refer to 25 - EMISSIONS CONTROL/EXHAUST GAS RECIRCULATION/VALVE - REMOVAL).



812c4e62

Fig. 4 EGR AND COOLER

- 1 - EGR VALVE
 - 2 - EGR COOLER
 - 3 - INTAKE MANIFOLD
-

Description	Group-Page	Description	Group-Page	Description	Group-Page
ABS INDICATOR	8J-9	CENTER TRACK	23-37	FOG LAMP BULB	8L-10
ACCELERATOR PEDAL POSITION SENSOR	14-32	CENTRAL TIMER MODULE	8E-1	FOG LAMP RELAY	8L-11
ACCESSORY SWITCH BEZEL	23-56	CHARGE AIR COOLER AND PLUMBING	11-4	FOG LAMP SWITCH	8L-12
ADR INDICATOR	8J-10	CHARGING INDICATOR	8F-14	FRAME	13-3
AIR CLEANER ELEMENT	9-21	CHARGING SYSTEM	8J-17	FREEWHEELING CLUTCH	21-135
AIR CLEANER HOUSING	9-21	CHECK VALVE	8R-11	FRONT BUMPER - STEPS	13-2
AIR FILTER	24-45, 24-58	CHECK	23-13, 23-23	FRONT DOOR INNER BELT WEATHERSTRIP	23-90
AIR OUTLET TEMPERATURE SENSOR	24-16	CHIME / BUZZER	8B-1	FRONT DOOR OUTER BELT WEATHERSTRIP	23-90
AIR OUTLETS	24-45	CIGAR LIGHTER OUTLET	8W-97-1	FRONT FASCIA	13-2
AIRBAG CONTROL MODULE	80-8	CIRCUIT BREAKER	8W-97-2	FRONT LAMP UNIT	8L-13
AIRBAG INDICATOR	8J-11	CLEARANCE LAMP BULB	8L-9	FRONT POSITION LAMP BULB	8L-14
ALB CONTROLLER	5-16	CLEARANCE LAMP UNIT	8L-9	FRONT SEAT BELT & RETRACTOR	80-20
ALB LEVER	5-16	CLOCK	8J-14	FRONT SEAT BELT BUCKLE	80-23
AMBIENT TEMPERATURE INDICATOR	8J-11	CLOCKSPRING	80-12	FRONT TURN / PARK / SIDE MARKER LAMP BULB	8L-15
AMBIENT TEMPERATURE SENSOR	24-17	CLUSTER BEZEL	23-55	FRONT WHEEL SPEED SENSOR	5-31
ANTENNA BODY & CABLE	8A-1	COLUMN	19-4	FRONT	2-1
ARMREST	23-79	CONNECTOR	Intro.-9	FUEL DELIVERY	14-6
ASH RECEIVER	23-57	CONNECTOR/GROUND/SPLICE LOCATION	8W-91-1	FUEL DOSING PUMP	24-106
ASH RECEIVER / CIGAR LIGHTER LAMP UNIT	8L-30	CONTROLLER ANTILOCK BRAKE	8E-3	FUEL DRAIN TUBES	14-10
ASSIST HANDLE	23-71	COOLANT LEVEL SENSOR	7-13	FUEL FILL DOOR	23-48
AUDIO	8A-1	COOLANT LOW INDICATOR	8J-15	FUEL FILTER CLOGGED INDICATOR	8J-17
AUTOMATIC TRANSMISSION NAG1 - SERVICE INFORMATION	21-3	COOLANT	7-9	FUEL FILTER	14-10
A - PILLAR TRIM	23-70	COOLING	7-1	FUEL GAUGE	8J-17
A / C CLUTCH RELAY	24-24	COWL TRIM	23-73	FUEL INJECTOR	14-35
A / C COMPRESSOR CLUTCH COIL	24-12	CRANKCASE VENTILATION BREATHER	25-2	FUEL LEVEL SENDING UNIT / SENSOR	14-28
A / C COMPRESSOR CLUTCH	24-8	CRANKCASE VENTILATION HEATER	25-1	FUEL LINE	24-107
A / C COMPRESSOR	24-66	CRANKSHAFT OIL SEAL - FRONT	9-42	FUEL LINES	14-11
A / C CONDENSER COVER	24-52	CRANKSHAFT OIL SEAL - REAR	9-41	FUEL PRESSURE SENSOR	14-39
A / C CONDENSER FAN RELAY	24-26	CRANKSHAFT POSITION SENSOR	14-35	FUEL PRESSURE SOLENOID	14-40
A / C CONDENSER HOUSING	24-52	CRANKSHAFT	9-39	FUEL PUMP MODULE	14-18
A / C CONDENSER	24-69	CUP HOLDER	23-57	FUEL PUMP	14-13
A / C CONTROL MODULE	24-28	CYLINDER HEAD COVER(S)	9-33	FUEL QUANTITY CONTROL VALVE	14-21
A / C DISCHARGE LINE	24-71	CYLINDER HEAD	9-22	FUEL RAIL PRESSURE SENSOR	14-12
A / C EVAPORATOR COVER	24-55	DAYTIME RUNNING LAMP RELAY	8L-10	FUEL RAIL	14-22
A / C EVAPORATOR HOUSING	24-55	DEFROSTER DUCTS	24-47	FUEL SYSTEM	14-1
A / C EVAPORATOR	24-72	DIFFERENTIAL	3-31	FUEL TANK	14-23
A / C EXPANSION VALVE	24-73	DIODE	Intro.-9	FUEL TEMPERATURE SENSOR	14-42
A / C HEATER CONTROL	24-12	DISC BRAKE CALIPER ADAPTER	5-14	FUSE BLOCK #1	8W-97-2
A / C HIGH PRESSURE SWITCH	24-30	DISC BRAKE CALIPERS	5-11	FUSE BLOCK #2	8W-97-3
A / C LOW PRESSURE SWITCH	24-32	DOME LAMP / INTRUSION SENSOR BULB	8L-33	GAP AND FLUSH	23-91
A / C PRESSURE TRANSDUCER	24-14	DOME LAMP / INTRUSION SENSOR	8L-33	GEAR SELECTOR INDICATOR	8J-18
BACKLITE - BULKHEAD TRIM PANEL	23-84	DOME / READING LAMP BULB	8L-32	GEAR	19-7
BACKUP LAMP BULB	8L-5	DOME / READING LAMP UNIT	8L-32	GEARSHIFT CABLE	21-138
BASECOAT / CLEARCOAT FINISH	23-77	DOOR GLASS	23-15, 23-30, 23-46	GEAR - PINION / RING	3-41
BATTERY CABLES	8F-14	DOOR JAMB SWITCH	8L-34	GENERATOR DECOUPLER PULLEY	8F-19
BATTERY HOLDDOWN	8F-13	DOOR LOCK MOTOR	8N-1	GENERATOR	8F-18
BATTERY SYSTEM	8F-1	DOOR OPENING SEALS	23-90	GLOVE BOX	23-58
BATTERY TRAY	8F-16	DOOR	23-14, 23-23	GLOW PLUG RELAY	8I-1
BATTERY	8F-6	DRIVE BELTS	7-5	GLOW PLUG	8I-1
BEARINGS - DIFFERENTIAL CASE	3-38	DRIVER AIRBAG	80-16	GRILLE	23-48
BEARING / SEAL - AXLE HUB	3-28	DRIVER HEATED SEAT SWITCH	8G-11	HCU (HYDRAULIC CONTROL UNIT)	5-36
BEARING / SEAL - AXLE	3-24	D - PILLAR TRIM	23-73	HEADLAMP LEVELING MOTOR	8L-16
BELT TENSIONERS	7-5	ELECTRIC COOLANT PUMP	24-75	HEADLAMP LEVELING SWITCH	8L-17
BLOWER MOTOR RELAY	24-33	ELECTRICAL	5-30	HEADLINER	23-73
BLOWER MOTOR RESISTOR	24-17	ELECTROHYDRAULIC UNIT	21-105	HEADREST	23-79
BLOWER MOTOR SWITCH	24-19, 24-35	ENGINE BLOCK HEATER	7-14	HEATED GLASS	8G-1
BLOWER MOTOR	24-47, 24-58	ENGINE BLOCK	9-37	HEATED MIRRORS	8G-9
BODY	23-1	ENGINE CONTROL MODULE	8E-3	HEATED SEAT ELEMENT	8G-12
BOOST PRESSURE SENSOR	14-33	ENGINE COOLANT TEMP SENSOR	7-15	HEATED SEAT RELAY	8G-12
BRAKE INDICATOR	8J-12	ENGINE COOLANT THERMOSTAT	7-16	HEATED SEAT SENSOR	8G-13
BRAKE LAMP SWITCH	8L-6	ENGINE CRADLE CROSSMEMBER	13-8	HEATED SEATS	8G-10
BRAKE LINES	5-8	ENGINE TEMPERATURE GAUGE	8J-15	HEATER CORE	24-76
BRAKE PADS / SHOES	5-8	ENGINE	9-2	HEATER UNIT	24-110
BRAKE WEAR INDICATOR	8J-13	ENTRY / EXIT LAMP BULB	8L-34	HEATING & AIR CONDITIONING	24-1
BRAKES - ABS	5-30	ENTRY / EXIT LAMP UNIT	8L-35	HIGH BEAM HEADLAMP BULB	8L-18
BRAKES - BASE	5-2	ESP INDICATOR	8J-16	HIGH BEAM INDICATOR	8J-19
BRAKE / PARK LAMP BULB	8L-7	EVAPORATOR TEMPERATURE SENSOR	24-19, 24-37	HINGE	23-17, 23-32, 23-51
BULKHEAD TRIM PANEL	23-72	EXHAUST GAS RECIRCULATION	25-4	HOISTING	0-5
BUMPERS	13-1	EXHAUST MANIFOLD	9-68	HOLDING CLUTCH B1	21-143
BUSHINGS	2-3	EXHAUST PIPE	11-3	HOLDING CLUTCH B2	21-148
B - PILLAR TRIM	23-71	EXHAUST SYSTEM	11-1	HOLDING CLUTCHES	21-141
CABIN HEATER	24-104	EXHAUST TUBE	24-105	HOOD	23-51
CABLE TENSIONER	5-24	EXTERIOR HANDLE	23-16, 23-31, 23-35	HORN SWITCH	8H-1
CABLE	8P-2	FAN DRIVE VISCOUS CLUTCH	7-17	HORN	8H-1
CABLES	5-24	FASTENER IDENTIFICATION	Intro.-3	HOSES	19-14
CAMSHAFT POSITION SENSOR	14-33	FASTENER USAGE	Intro.-6	HUB / BEARING	2-4
CAMSHAFT(S)	9-28	FINESSE SANDING / BUFFING & POLISH	23-78	HVAC HOUSING	24-48
CARGO LAMP SWITCH	8L-31	FLOOR DISTRIBUTION DUCTS	24-47	HYDRAULIC / MECHANICAL	5-5
CARGO / DOME LAMP BULB	8L-30	FLUID AND FILTER	21-131	IGNITION CONTROL	8I-1
CARGO / DOME LAMP UNIT	8L-31	FLUID CAPACITIES	0-5	INLET HOSE	24-111
CARPETS AND FLOOR MATS	23-72	FLUID COOLER TUBE	19-13	INPUT CLUTCH K1	21-92
CATALYTIC CONVERTER	11-3	FLUID FILL / CHECK LOCATIONS	0-5	INPUT CLUTCH K2	21-97
CENTER BEARING	3-9	FLUID RESERVOIR	5-15	INPUT CLUTCH K3	21-102
CENTER HIGH MOUNTED STOP LAMP BULB	8L-8	FLUID TYPES	0-1	INPUT CLUTCHES	21-90
CENTER HIGH MOUNTED STOP LAMP UN	8L-8	FLYWHEEL	9-43	INPUT SPEED SENSORS	21-153
CENTER ROLLER ARM	23-36				

Description	Group-Page	Description	Group-Page	Description	Group-Page
INSIDE HANDLE ACTUATOR	23-33, 23-36	PUMP	19-11	STARTER MOTOR	8F-33
INSTRUMENT CLUSTER	8J-2	QUARTER TRIM PANEL	23-74	STARTING SYSTEM	8F-28
INSTRUMENT PANEL ANTENNA CABLE	8A-2	QUARTER WINDOW	23-84	STEERING ANGLE SENSOR	5-32
INSTRUMENT PANEL ASSEMBLY	23-59	RADIATOR CROSSMEMBER	23-49	STEERING COLUMN OPENING COVER	23-68
INSTRUMENT PANEL CENTER BEZEL	23-57	RADIATOR FAN	7-14	STEERING WHEEL	19-6
INSTRUMENT PANEL DUCTS	24-51	RADIATOR PRESSURE CAP	7-19	STEERING	19-1
INTAKE AIR PRESSURE SENSOR	14-43	RADIATOR	7-17	STEPWELL SCUFF PADS	23-75
INTAKE AIR TEMPERATURE SENSOR	14-42	RADIO	8A-2	STRUT	2-10
INTAKE MANIFOLD	9-65	RAIN SENSOR CONTROL MODULE	8R-15	SUCTION LINE	24-81
INTERIOR	23-70	RAIN SENSOR	8R-12	SUN VISOR	23-76
INTERMEDIATE SHAFT	19-4	REAR AXLE	3-12	SUPPORT PLATE	5-23
INTERNATIONAL SYMBOLS	0-9	REAR A / C CONDENSER FAN	24-83	SUPPRESSOR FILTER - REAR BLOWER MOTOR	24-41
INTERNATIONAL SYMBOLS	Intro.-2	REAR A / C EVAPORATOR	24-84	SUPPRESSOR FILTER - REAR CONDENSER FAN	24-43
INTRUSION SENSOR	8Q-1	REAR A / C EXPANSION VALVE	24-85	SWITCH	8P-3
IN - CAR TEMPERATURE SENSOR	24-21	REAR BUMPER - STEP	13-2	TACHOMETER	8J-25
JUMP STARTING	0-6	REAR CROSSMEMBER - TRANSMISSION	13-11	TAIL LAMP UNIT	8L-25
KEY / LOCK CYLINDER	19-5	REAR DISCHARGE LINE	24-88	TAILPIPE	11-3
KNUCKLE	2-5	REAR FASCIA	13-3	TEMPERATURE CONTROL	24-38
LAMPS / LIGHTING - EXTERIOR	8L-2	REAR LATCH STRIKER	23-40	TEMPERATURE SENSOR	24-40
LAMPS / LIGHTING - INTERIOR	8L-28	REAR LATCH	23-40	TEMPERATURE SENSOR / PARK - NEUTRAL CONTACT	21-176
LATCH RELEASE CABLE	23-52	REAR LIQUID LINE	24-91	TERMINAL	Intro.-10
LATCH RELEASE HANDLE	23-52	REAR RECEIVER / DRIER	24-94	THREADED HOLE REPAIR	Intro.-6
LATCH STRIKER	23-18	REAR REFRIGERANT RESERVOIR	24-95	TIE ROD END	19-10
LATCH	23-18, 23-33, 23-52	REAR SEAT BACK SHIELD	23-82	TIME DELAY RELAY	8L-35
LATCH / LOCK CONTROL	23-38	REAR SEAT BELT & RETRACTOR	80-28	TIMING CHAIN AND SPROCKETS	9-72
LATERAL ACCELERATION SENSOR	5-33	REAR SEAT BELT BUCKLE	80-30	TIMING CHAIN COVER	9-70
LEFT MOUNT	9-55	REAR SIDE MARKER LAMP BULB	8L-22	TIMING CHAIN TENSIONER	9-81
LEVER	5-26	REAR SUCTION LINE	24-96	TIRES	22-7
LICENSE PLATE BRACKET	23-48	REAR TURN LAMP BULB	8L-23	TIRES / WHEELS	22-1
LICENSE PLATE LAMP BULB	8L-19	REAR VIEW MIRROR	23-75	TOE WHEEL	5-32
LICENSE PLATE LAMP UNIT	8L-19	REAR WHEEL SPEED SENSOR	5-31	TOP COVER	23-67
LINKAGE	19-9	REAR WINDOW DEFOGGER GRID	8G-7	TOP COVER - CLUSTER	23-64
LIQUID LINE	24-77	REAR WINDOW DEFOGGER RELAY	8G-3	TOP COVER - TRAY	23-65
LOCK CYLINDER	23-18	REAR WINDOW DEFOGGER SWITCH	8G-4	TORQUE CONVERTER HUB SEAL	21-184
LOW BEAM HEADLAMP BULB	8L-20	REAR	2-11	TORQUE CONVERTER	21-178
LOW FUEL INDICATOR	8J-19	RECEIVER / DRIER	24-79	TORQUE REFERENCES	Intro.-9
LOW OIL LEVEL INDICATOR	8J-20	RECIRCULATION DOOR ACTUATOR	24-22	TOWING	0-7
LOWER BALL JOINT	2-6	REFRIGERANT LINE COUPLER	24-98	TRACTION CONTROL INDICATOR	8J-26
LOWER CONTROL ARM	2-6	REFRIGERANT OIL	24-81	TRACTION CONTROL MALFUNCTION INDICATOR	8J-27
LOWER ROLLER ARM	23-37	REFRIGERANT	24-80	TRAILER HITCH	13-11
MAINTENANCE INDICATOR	8J-20	RELAY	8W-97-4	TRANSMISSION CONTROL MODULE	8E-6
MAINTENANCE SCHEDULES	0-8	REMOTE KEYLESS ENTRY TRANSMITTER	8N-1	TRANSPONDER KEY	8Q-5
MALFUNCTION INDICATOR LAMP (MIL)	8J-21	REPEATER LAMP BULB	8L-23	TRIM PANEL	23-18, 23-34, 23-46
MANIFOLD AIR FLOW (MAF) SENSOR	14-44	REPEATER LAMP UNIT	8L-24	TURBOCHARGER SYSTEM	11-3
MASTER CYLINDER	5-17	RESTRAINTS	80-2	TURBOCHARGER	11-6
MASTER LOCK SWITCH	8N-1	RIGHT MOUNT	9-56	TURN SIGNAL INDICATOR	8J-27
METRIC SYSTEM	Intro.-6	ROTORS	5-20	TURN SIGNAL RELAY	8L-26
MODE DOOR CABLES	24-21	SAFETY LATCH	23-53	UNDERBODY LINES	24-100
MULTI - FUNCTION INDICATOR	8J-22	SEAL - PINION	3-39	UPPER ROLLER ARM	23-36
MULTI - FUNCTION SWITCH	8L-21	SEAT ADJUSTERS - FRONT	23-81	VACUUM PUMP	9-54
O2 SENSOR	14-45	SEAT BACK CUSHION / COVER - REAR	23-82	VALVE COOLER	25-6
ODOMETER	8J-22	SEAT BACK - FRONT	23-80	VALVE SPRINGS	9-35
OIL COOLER & LINES	9-56	SEAT BELT SWITCH	80-31	VALVE STEM SEALS	9-34
OIL FILTER	9-57	SEAT BELT TENSIONER	80-32	VALVE	25-5
OIL JET	9-57	SEAT BELT TURNING LOOP ADJUSTER	80-33	VEHICLE IDENTIFICATION NUMBER	Intro.-1
OIL PAN	9-58	SEAT CUSHION - FRONT	23-80	VEHICLE THEFT SECURITY	8Q-1
OIL PUMP	9-61	SEAT CUSHION / COVER - REAR	23-83	VIBRATION DAMPER	9-53
OIL PUMP	21-154	SEATBELT INDICATOR	8J-24	VOLTAGE REGULATOR	8F-24
OIL SENSOR	9-64	SEAT - FRONT	23-79	WAIT - TO - START INDICATOR	8J-28
OIL	9-56	SEAT - REAR	23-81	WASHER FLUID INDICATOR	8J-29
OPENING DIMENSIONS	23-93	SECURITY SYSTEM MODULE	80-2	WASHER FLUID LEVEL SWITCH	8R-16
OUTPUT SHAFT BEARING	21-156	SENTRY KEY REMOTE ENTRY MODULE	8Q-2	WASHER HOSES / TUBES	8R-18
OUTPUT SHAFT SEAL	21-159	SERVO	8P-2	WASHER NOZZLE	8R-18
PAINT TOUCH - UP	23-77	SHAFT - AXLE DUAL REAR WHEELS	3-27	WASHER PUMP / MOTOR	8R-19
PAINT	23-77	SHAFT - AXLE SINGLE REAR WHEEL	3-23	WASHER RESERVOIR	8R-21
PARK BRAKE INDICATOR	8J-23	SHIFT MECHANISM	21-168	WATER IN FUEL SENSOR	14-30
PARK BRAKE SWITCH	8L-21	SHOCK	2-13	WATER PUMP	7-20
PARK LOCK CABLE	21-160	SHOES	5-27	WATER VALVE	24-83
PARKING BRAKE	5-23	SIDE CURTAIN AIRBAG	80-35	WATER - IN - FUEL INDICATOR	8J-29
PASSENGER AIRBAG BRACKET	80-27	SIDE IMPACT SENSOR	80-39	WHEEL ALIGNMENT	2-17
PASSENGER AIRBAG	80-24	SIDE VIEW MIRROR	23-49	WHEELS	22-13
PASSENGER HEATED SEAT SWITCH	8G-13	SIDE VIEW MIRROR - GLASS	23-50	WINDOW MOTOR	8N-5
PEDAL	5-19	SIREN	8Q-4	WINDOW REGULATOR - MANUAL	23-21
PISTON & CONNECTING ROD	9-45	SLIDING DOOR	23-40	WINDOW REGULATOR - POWER	23-20
PISTON RINGS	9-52	SOLENOID	21-171	WINDSHIELD	23-85
PISTONS	21-163	SPARE TIRE CARRIER	22-12	WIPER ARM	8R-23
PLANETARY GEARTRAIN	21-164	SPEAKER	8A-2	WIPER BLADE	8R-26
PLUMBING	24-61	SPEED CONTROL	8P-1	WIPER LINKAGE	8R-28
POWER BRAKE BOOSTER	5-19	SPEEDOMETER	8J-25	WIPER MOTOR	8R-31
POWER DISTRIBUTION CENTER	8W-97-3	SPRING CLAMP PLATES	2-8	WIPER RELAY	8R-34
POWER DISTRIBUTION	8W-97-1	SPRING SHACKLE	2-15	WIPERS/WASHERS	8R-2
POWER MIRROR SWITCH	8N-3	SPRING STOP PLATES	2-9	WIRING DIAGRAM INFORMATION	Intro.-1
POWER MIRRORS	8N-3	SPRING	2-7, 2-14	YAW RATE SENSOR	5-35
POWER OUTLET	8W-97-3	STABILIZER BAR	2-9, 2-15		
POWER WINDOW SWITCH	8N-5	STABILIZER LINK	2-10, 2-16		
POWER WINDOWS	8N-5	STABILIZER	23-45		
PROP ROD	23-53	STARTER MOTOR RELAY	8F-35		
PROPELLER SHAFT	3-1, 3-7				

SERVICE MANUAL COMMENTS

What errors(s) have you found?

In order for us to assist you, please include as much details as possible when reporting an error

Comments / Suggestions

Dealership Technician
Dealer Code: _____

Retail Customer

Manual Title, Year, Number and Page: _____

Your Name: _____

Address: _____

All comments become property of DaimlerChrysler and may be used without compensation.

(FOLD HERE)

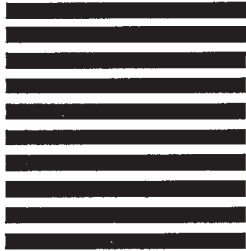


BUSINESS REPLY MAIL
FIRST CLASS MAIL PERMIT NO. 124 CENTER LINE, MI

POSTAGE WILL BE PAID BY ADDRESSEE

DaimlerChrysler Corporation
Dealer Technical Operations
800 Chrysler Drive
CIMS 486-02-76
Auburn Hills, MI 48326-2757

NO POSTAGE
NECESSARY
IF MAILED
IN THE
UNITED
STATES



(FOLD HERE)